



10475 - An ACS H-alpha Survey of the Carina Nebula

Cycle: 13, Proposal Category: GO

(Availability Mode: SUPPORTED)

INVESTIGATORS

| <i>Name</i> | <i>Institution</i> | <i>E-Mail</i> |
|------------------------------|--|----------------------------------|
| Dr. Nathan Smith (PI) | University of Colorado at Boulder | nathan.smith@colorado.edu |
| Prof. John Bally (CoI) | University of Colorado at Boulder | bally@casa.colorado.edu |
| Dr. Nolan R. Walborn (CoI) | Space Telescope Science Institute | walborn@stsci.edu |
| Dr. Jon A. Morse (CoI) | Arizona State University | jon.morse@asu.edu |

VISITS

| <i>Visit</i> | <i>Targets</i> | <i>Configurations</i> | <i>Orbits Used</i> | <i>Last Orbit Planner Run</i> | <i>OP Current with Visit?</i> |
|--------------|------------------|-----------------------|--------------------|-------------------------------|-------------------------------|
| 01 | (20) N3372-POS20 | ACS/WFC WFPC2 | 1 | 25-Jan-2006 21:01:21.0 | yes |
| 21 | (20) N3372-POS20 | ACS/WFC WFPC2 | 1 | 25-Jan-2006 21:01:26.0 | yes |
| 02 | (21) N3372-POS21 | ACS/WFC WFPC2 | 1 | 25-Jan-2006 21:01:31.0 | yes |
| 22 | (21) N3372-POS21 | ACS/WFC WFPC2 | 1 | 25-Jan-2006 21:01:35.0 | yes |
| 03 | (22) N3372-POS22 | ACS/WFC WFPC2 | 1 | 25-Jan-2006 21:01:39.0 | yes |

Proposal 10475 - Overview

| <i>Visit</i> | <i>Targets</i> | <i>Configurations</i> | <i>Orbits Used</i> | <i>Last Orbit Planner Run</i> | <i>OP Current with Visit?</i> |
|--------------|------------------|-----------------------|--------------------|-------------------------------|-------------------------------|
| 23 | (22) N3372-POS22 | ACS/WFC WFPC2 | 1 | 25-Jan-2006 21:01:42.0 | yes |
| 04 | (24) N3372-POS24 | ACS/WFC WFPC2 | 1 | 25-Jan-2006 21:01:46.0 | yes |
| 24 | (24) N3372-POS24 | ACS/WFC WFPC2 | 1 | 25-Jan-2006 21:01:50.0 | yes |
| 05 | (25) N3372-POS25 | ACS/WFC WFPC2 | 1 | 25-Jan-2006 21:01:55.0 | yes |
| 06 | (26) N3372-POS26 | ACS/WFC WFPC2 | 1 | 25-Jan-2006 21:02:04.0 | yes |
| 26 | (26) N3372-POS26 | ACS/WFC WFPC2 | 1 | 25-Jan-2006 21:02:07.0 | yes |
| 07 | (27) N3372-POS27 | ACS/WFC WFPC2 | 1 | 25-Jan-2006 21:02:12.0 | yes |
| 27 | (27) N3372-POS27 | ACS/WFC WFPC2 | 1 | 25-Jan-2006 21:02:15.0 | yes |
| 08 | (28) N3372-POS28 | ACS/WFC WFPC2 | 1 | 25-Jan-2006 21:02:20.0 | yes |
| 09 | (30) N3372-POS30 | ACS/WFC WFPC2 | 1 | 25-Jan-2006 21:02:27.0 | yes |
| 10 | (17) N3372-TR15 | ACS/WFC WFPC2 | 1 | 25-Jan-2006 21:02:34.0 | yes |
| 11 | (18) N3324 | ACS/WFC WFPC2 | 1 | 25-Jan-2006 21:02:40.0 | yes |

Proposal 10475 - Overview

| <i>Visit</i> | <i>Targets</i> | <i>Configurations</i> | <i>Orbits Used</i> | <i>Last Orbit Planner Run</i> | <i>OP Current with Visit?</i> |
|--------------|------------------|-----------------------|--------------------|-------------------------------|-------------------------------|
| 31 | (18) N3324 | ACS/WFC WFPC2 | 1 | 25-Jan-2006 21:02:43.0 | yes |
| 12 | (19) N3372-POS19 | ACS/WFC WFPC2 | 1 | 25-Jan-2006 21:02:47.0 | yes |
| 32 | (19) N3372-POS19 | ACS/WFC WFPC2 | 1 | 25-Jan-2006 21:02:51.0 | yes |

20 Total Orbits Used

ABSTRACT

We propose an H-alpha ACS imaging survey covering 540 square arcminutes of the Carina Nebula, including an unbiased survey of the bright core, and several prominent dust pillars in the rich southern region of the nebula. Carina provides an important link between well-studied nearby H II regions like Orion, and more distant mini-starbusts like 30 Doradus. CVZ orbits will allow extremely efficient use of HST to map a large area of this complex and important region -- more than 95 percent of the proposed survey will be observed by HST for the first time. This survey will provide a complete census of microjets, proplyds, and silhouette disks with diameters as small as 200 AU, enough to spatially resolve disks like those in Orion, and will provide the first catalog of outflows (jets) from embedded low-mass stars, thin filamentary shocks, and wind-wind collisions in Carina. An accurate census of these phenomena is needed to characterize the star formation activity and gas dynamics as a function of position in the nebula, and to determine if models for protoplanetary disk evaporation from Orion are applicable in more extreme regions. Our previous ground-based optical and IR surveys have already revealed dozens of candidates for this type of activity -- but this is just the tip of the iceberg. Our proposed HST/ACS survey promises to be a bonanza for understanding ongoing low-mass star formation influenced by extremely high-mass stars.

OBSERVING DESCRIPTION

The observational goal in planning these observations is to maximize spatial coverage of the survey with minimal telescope time. We

Proposal 10475 - Overview

propose to observe several positions in the Carina Nebula using the Halpha filter of ACS/WFC. Visits 1-8 will produce a large contiguous mosaic of the northern part of the nebula, while visits 9 and 10 select a few regions in the southern nebula. Parallel exposures with WFPC2 in Halpha or [S II] will also be obtained.

VISITS 1-4

These four visits will produce a contiguous mosaic of the region around the star cluster Tr14. Each CVZ orbit consists of 3 positions offset by roughly half the WFC field of view, in order to fill in the gap between the CCD chips and to increase the effective field of view. Individual exposures are not CR-split; instead, at each of these 3 positions we will obtain a dithered pair of exposures to correct for CRs and hot pixels. Because the offset between the first and third pointings is more than allowed by a single guide star, we will acquire a second guide star in mid orbit before the third pair of exposures. Therefore, in each orbit this pattern will produce a "footprint" which is effectively twice the field of view of a single WFC exposure.

Each visit in this sequence consists of 2 orbits that produce a linear strip of 6 separate pointings. To make a contiguous mosaic image from these 8 orbits in Visits 1-4, it is important to schedule these visits as closely together as possible, with minimum changes in the ORIENT angle between visits. The final product will be a large 6x4 mosaic with a dithered pair at each pointing. Exposure times have been chosen

Proposal 10475 - Overview

to reach acceptable signal to noise, while still allowing 6 exposures per orbit.

VISITS 5-8

Same as visits 1-4, but with a different reference point centered on the Tr16 star cluster near Eta Carinae. Visits 5+6 should be executed together, as well as visits 7+8. Obviously, it will be best if all of Visits 1-8 are scheduled as close together as possible (with the roll angle as close as possible) to better facilitate the making of a large mosaic map.

VISIT 9

Observations of a molecular globule and dust pillar in the southern part of the H II region, as well as the Herbig-Haro jet HH666. 2 orbits total. Each orbit uses the same basic pattern as a single orbit from the large mosaic regions in visits 1-8; i.e. 3 positions each offset by half the chip, with a dithered pair at each of the three positions. The two orbit visit produces a 2x3 pointing grid.

VISIT 10

This is a dust pillar in the southern part of the HII region. A

Proposal 10475 - Overview

single orbit, similar to half of visit 9; i.e. three pointings offset by half the detector FOV, with a dithered pair at each pointing.

Positions 17, 18, and 19 in the northern region, as well as the remaining pointings in the southern part of the nebula will be observed in Cycle 14.

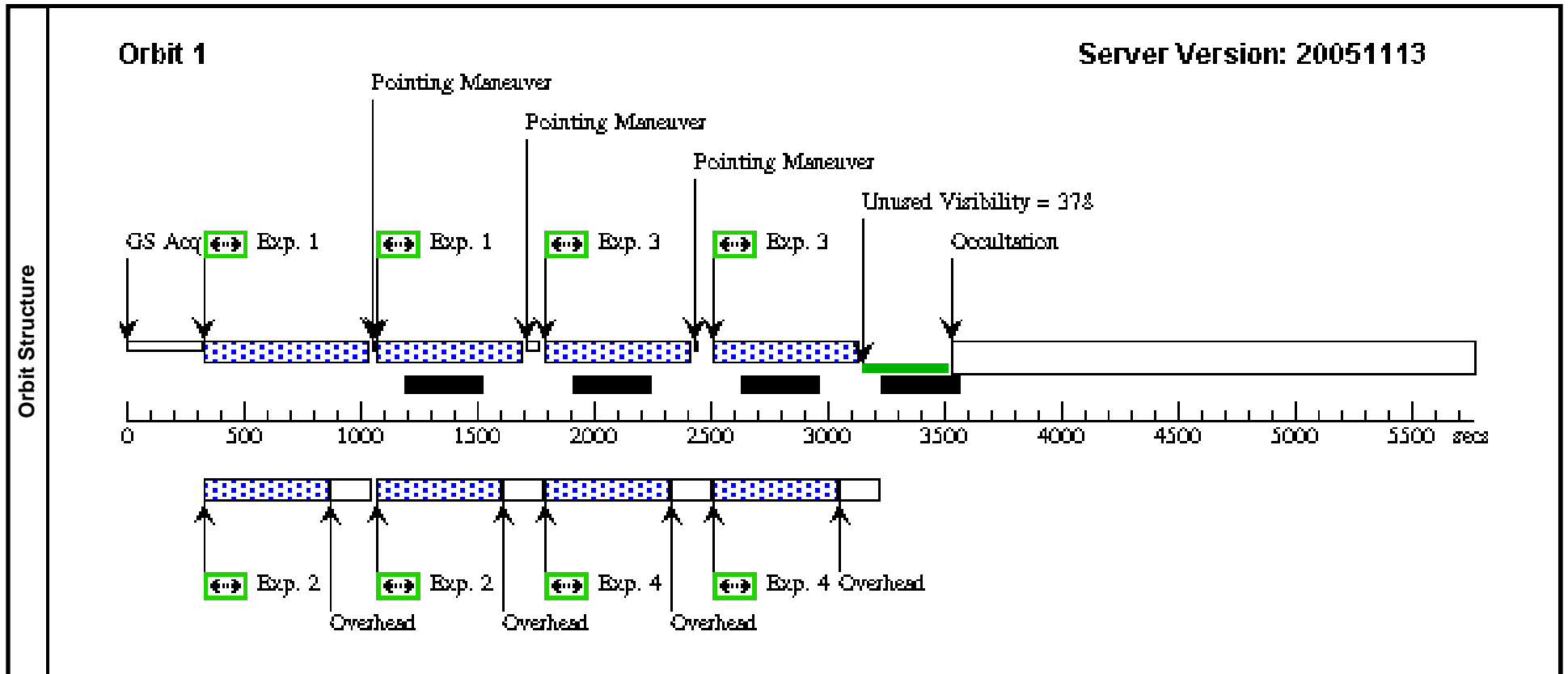
PARALLEL WFPC2 EXPOSURES

Our WFPC2 parallels are intended to increase the effective area of the H-alpha survey, or to observe the [S II] lines where the parallel position overlaps with an ACS/WFC field. Exposure times for WFPC2 are somewhat longer than desired in the bright northern part of the nebula (will cause undesirable blooming for the brightest stars), but these exposures cannot be made shorter because of buffer dump requirements imposed by ACS/WFC exposures. Therefore, each WFC exposure is accompanied by just a single WFPC2 exposure (not CR split).

Proposal 10475 - Visit 01 - An ACS H-alpha Survey of the Carina Nebula

Thu Jan 26 02:02:52 GMT 2006

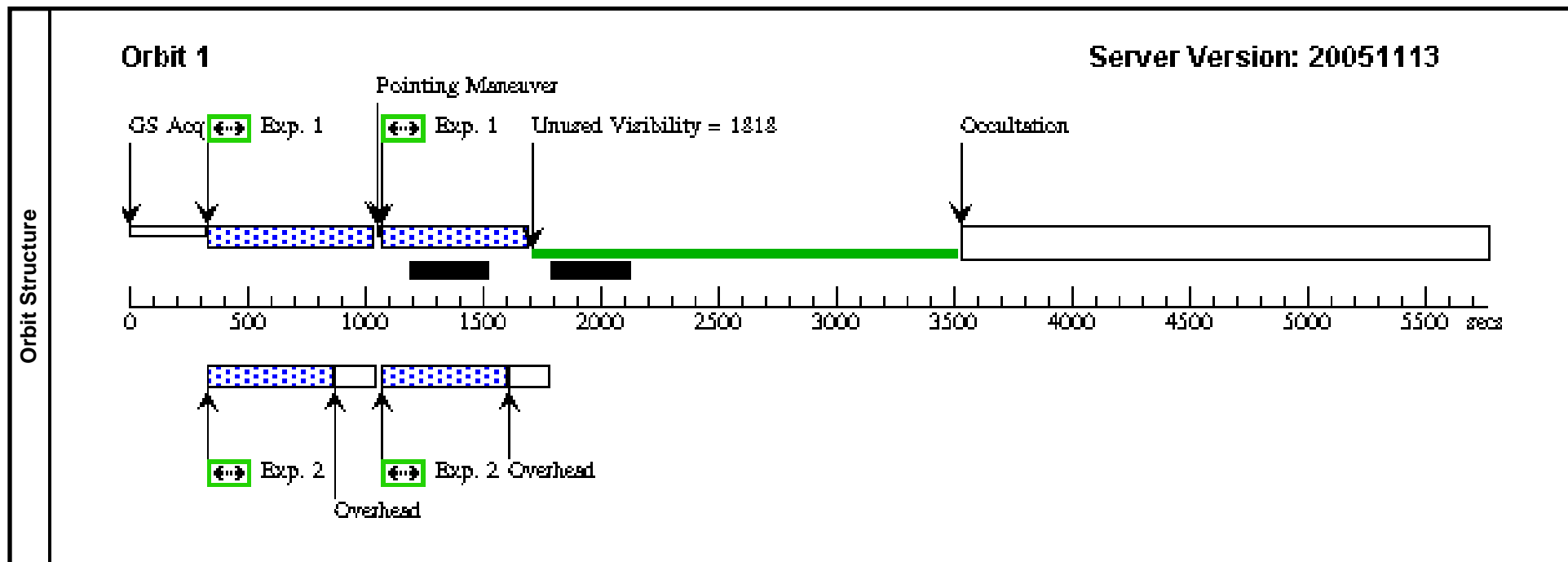
| | | | | | | | | | | | |
|----------------------|---|---|---|-----------------------------|---------------------------------|---|----------------------------|--|--------------------------------|------------------|--------------|
| Visit | Proposal 10475, Visit 01 Diagnostic Status: Warning Scientific Instruments: ACS/WFC, WFPC2 Special Requirements: ORIENT 8.0D TO 20.0 D | | | | | | | | | | |
| | Diagnostics | (Visit 01) Warning: PATTERN POSITION OUTSIDE APERTURE (Visit 01) Warning: PARALLELS SIGNIFICANTLY EXTEND ALIGNMENT TIME (Visit 01) Warning: PARALLELS SIGNIFICANTLY EXTEND ALIGNMENT TIME | | | | | | | | | |
| Patterns | | # | Primary Pattern | | | | Secondary Pattern | | | Exposures | |
| | (2) | Pattern Type=ACS-WFC-DITHER-LINE Purpose=DITHER Number Of Points=2 Point Spacing=0.146 Line Spacing= | | | | Coordinate Frame=POS-TARG Pattern Orientation=47.2 Angle Between Sides= Center Pattern=false | | | (1-2), (3-4) | | |
| Fixed Targets | # | Name | Target Coordinates | | Targ. Coord. Corrections | | Fluxes | Miscellaneous | | | |
| | (20) | N3372-POS20 | RA: 10 47 1.0000 (161.7541667d) Dec: -60 03 0.00 (-60.05000d) Equinox: J2000 Plate Id: (?) | | | | V=10.0 | Coordinate Source: GUIDE_STAR_CATALOG | | | |
| Exposures | # | Label | Target | Config,Mode,Aperture | Spectral Els. | Opt. Params. | Special Reqs. | Groups | Exp. Time/[Actual Dur.] | | Orbit |
| | 1 | (20) N3372-POS20 | ACS/WFC, ACCUM, WFC | F658N | CR-SPLIT=NO | POS TARG 0,193.63 | Pattern 1-2 (2) | 500.0 Secs | | | |
| | | | | | | | Prime + Parallel Group 1-2 | [==>(Pattern 1)] | | [1] | |
| | | | | | | | | [==>(Pattern 2)] | | | |
| | 2 | (20) N3372-POS20 | WFPC2, IMAGE, WFALL | F656N | | | Pattern 1-2 (2) | 350.0 Secs | | | |
| | | | | | | Prime + Parallel Group 1-2 | [==>(Pattern 1)] | | [1] | | |
| | | | | | | | [==>(Pattern 2)] | | | | |
| 3 | (20) N3372-POS20 | ACS/WFC, ACCUM, WFC | F658N | CR-SPLIT=NO | POS TARG 0,96.816 | Pattern 3-4 (2) | 500.0 Secs | | | | |
| | | | | | | Prime + Parallel Group 3-4 | [==>(Pattern 1)] | | [1] | | |
| | | | | | | | [==>(Pattern 2)] | | | | |
| 4 | (20) N3372-POS20 | WFPC2, IMAGE, WFALL | F656N | | | Pattern 3-4 (2) | 350.0 Secs | | | | |
| | | | | | | Prime + Parallel Group 3-4 | [==>(Pattern 1)] | | [1] | | |
| | | | | | | | [==>(Pattern 2)] | | | | |



Proposal 10475 - Visit 21 - An ACS H-alpha Survey of the Carina Nebula

Thu Jan 26 02:02:53 GMT 2006

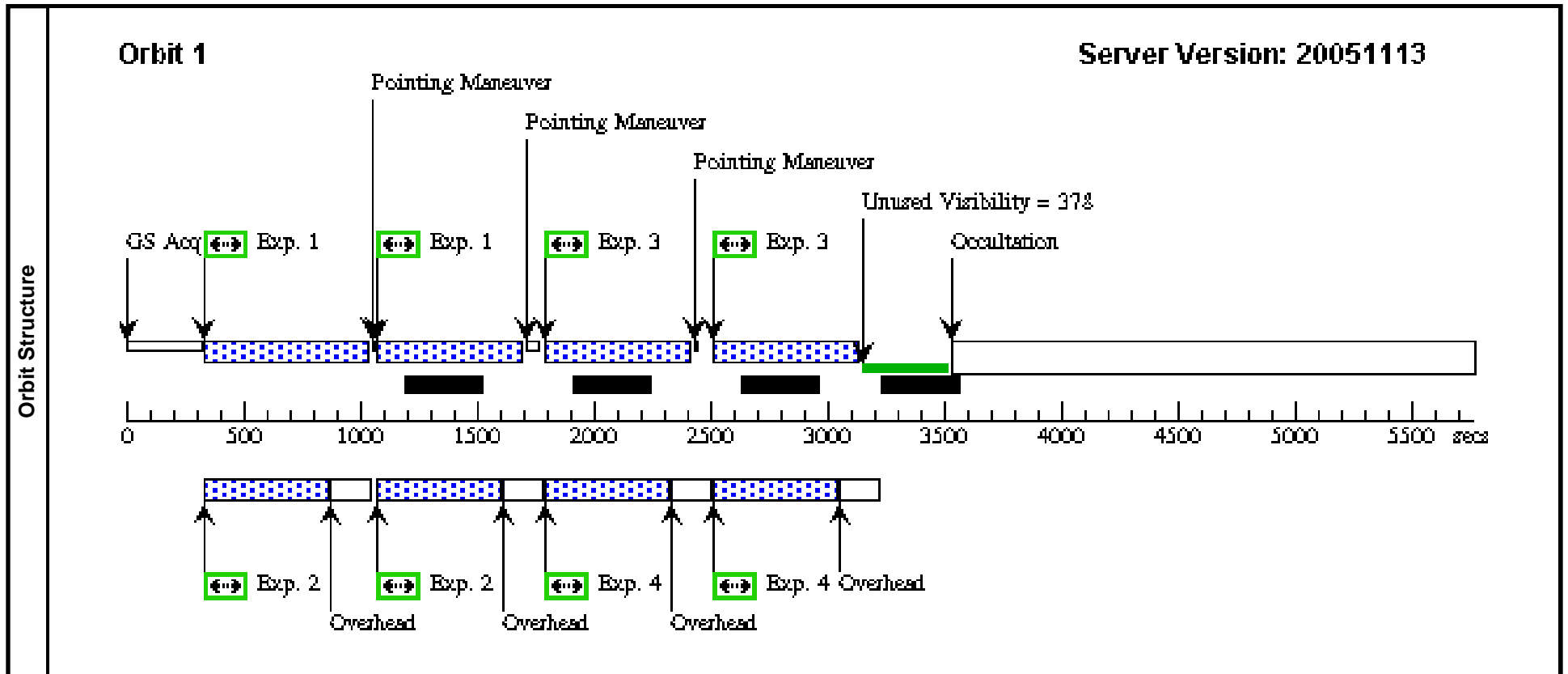
| Visit | | Proposal 10475, Visit 21 Diagnostic Status: No Diagnostics Scientific Instruments: ACS/WFC, WFPC2 Special Requirements: SAME ORIENT AS 01 | | | | | | | | |
|---------------|------------------|--|---|--------------------------|-------------------|---|--|--|-------------------------|-------|
| Patterns | # | Primary Pattern | | | Secondary Pattern | | | Exposures | | |
| | (2) | Pattern Type=ACS-WFC-DITHER-LINE Purpose=DITHER Number Of Points=2 Point Spacing=0.146 Line Spacing= | Coordinate Frame=POS-TARG Pattern Orientation=47.2 Angle Between Sides= Center Pattern=false | | | | | (1-2) | | |
| Fixed Targets | # | Name | Target Coordinates | Targ. Coord. Corrections | Fluxes | Miscellaneous | | | | |
| | (20) | N3372-POS20 | RA: 10 47 1.0000 (161.7541667d) Dec: -60 03 0.00 (-60.05000d) Equinox: J2000 Plate Id: (?) | | V=10.0 | Coordinate Source: GUIDE_STAR_CATALOG | | | | |
| Exposures | # | Label | Target | Config,Mode,Aperture | Spectral Els. | Opt. Params. | Special Reqs. | Groups | Exp. Time/[Actual Dur.] | Orbit |
| | 1 | (20) N3372-POS20 | ACS/WFC, ACCUM, WFC | F658N | CR-SPLIT=NO | POS TARG 0,0 | Pattern 1-2 (2) Prime + Parallel Group 1-2 | 500.0 Secs [==>(Pattern 1)] [==>(Pattern 2)] | [1] | |
| 2 | (20) N3372-POS20 | WFPC2, IMAGE, WFALL | F656N | | | Pattern 1-2 (2) Prime + Parallel Group 1-2 | 350.0 Secs [==>(Pattern 1)] [==>(Pattern 2)] | [1] | | |



Proposal 10475 - Visit 02 - An ACS H-alpha Survey of the Carina Nebula

Thu Jan 26 02:02:53 GMT 2006

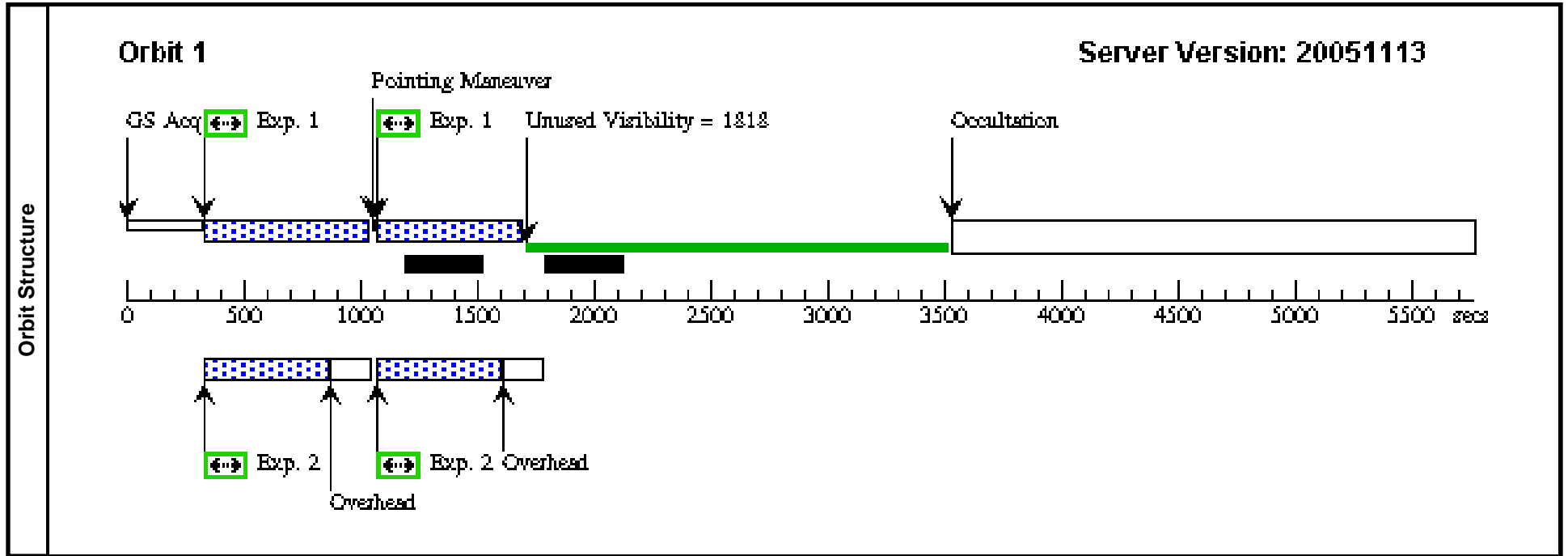
| | | | | | | | | | | | |
|----------------------|---|---|---|-----------------------------|---------------------------------|---|--------------------------|---|--------------------------------|--------------------------------------|--------------|
| Visit | Proposal 10475, Visit 02 Diagnostic Status: Warning Scientific Instruments: ACS/WFC, WFPC2 Special Requirements: ORIENT 8.0D TO 20.0 D | | | | | | | | | | |
| | Diagnostics | (Visit 02) Warning: PARALLELS SIGNIFICANTLY EXTEND ALIGNMENT TIME (Visit 02) Warning: PARALLELS SIGNIFICANTLY EXTEND ALIGNMENT TIME (Visit 02) Warning: PATTERN POSITION OUTSIDE APERTURE | | | | | | | | | |
| Patterns | | # | Primary Pattern | | | | Secondary Pattern | | | Exposures | |
| | (2) | Pattern Type=ACS-WFC-DITHER-LINE Purpose=DITHER Number Of Points=2 Point Spacing=0.146 Line Spacing= | | | | Coordinate Frame=POS-TARG Pattern Orientation=47.2 Angle Between Sides= Center Pattern=false | | | (1-2), (3-4) | | |
| Fixed Targets | # | Name | Target Coordinates | | Targ. Coord. Corrections | | Fluxes | Miscellaneous | | | |
| | (21) | N3372-POS21 | RA: 10 46 47.0000 (161.6958333d) Dec: -60 09 15.00 (-60.15417d) Equinox: J2000 Plate Id: (?) | | | | V=10.0 | Coordinate Source: GUIDE_STAR_CATALOG | | | |
| Exposures | # | Label | Target | Config,Mode,Aperture | Spectral Els. | Opt. Params. | Special Reqs. | Groups | Exp. Time/[Actual Dur.] | | Orbit |
| | 1 | | (21) N3372-POS21 | ACS/WFC, ACCUM, WFC | F658N | CR-SPLIT=NO | POS TARG 0,193.63 | Pattern 1-2 (2) Prime + Parallel Group 1-2 | 500.0 Secs | [==>(Pattern 1)] [==>(Pattern 2)] | [1] |
| | 2 | | (21) N3372-POS21 | WFPC2, IMAGE, WFALL | F656N | | | Pattern 1-2 (2) Prime + Parallel Group 1-2 | 350.0 Secs | [==>(Pattern 1)] [==>(Pattern 2)] | [1] |
| | 3 | | (21) N3372-POS21 | ACS/WFC, ACCUM, WFC | F658N | CR-SPLIT=NO | POS TARG 0,96.816 | Pattern 3-4 (2) Prime + Parallel Group 3-4 | 500.0 Secs | [==>(Pattern 1)] [==>(Pattern 2)] | [1] |
| | 4 | | (21) N3372-POS21 | WFPC2, IMAGE, WFALL | F656N | | | Pattern 3-4 (2) Prime + Parallel Group 3-4 | 350.0 Secs | [==>(Pattern 1)] [==>(Pattern 2)] | [1] |



Proposal 10475 - Visit 22 - An ACS H-alpha Survey of the Carina Nebula

Thu Jan 26 02:02:54 GMT 2006

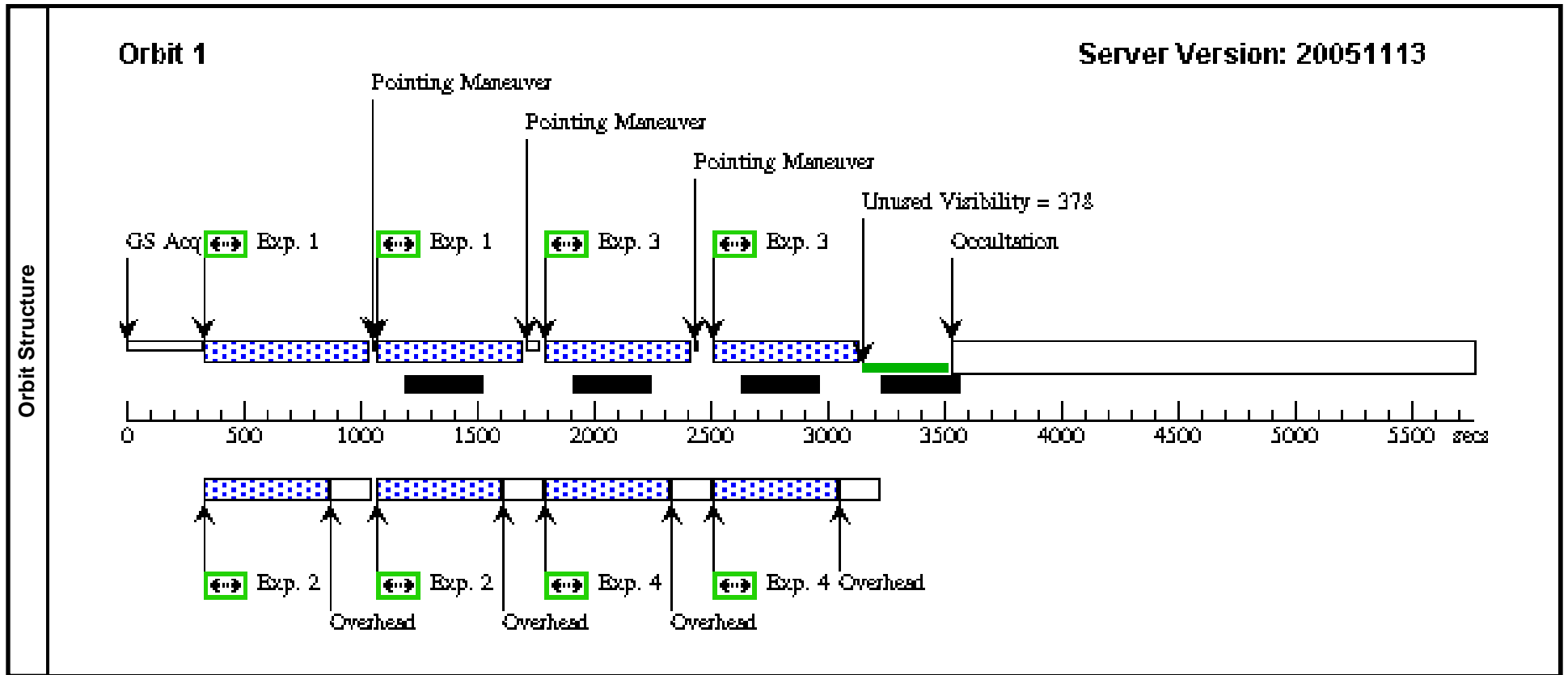
| Visit | | | | | | | | | | |
|--|------|--|---|--------------------------|-------------------|--|---|--|--|-------|
| Proposal 10475, Visit 22 Diagnostic Status: No Diagnostics Scientific Instruments: ACS/WFC, WFPC2 Special Requirements: SAME ORIENT AS 02 | | | | | | | | | | |
| Patterns | # | Primary Pattern | | | Secondary Pattern | | | Exposures | | |
| | (2) | Pattern Type=ACS-WFC-DITHER-LINE Purpose=DITHER Number Of Points=2 Point Spacing=0.146 Line Spacing= | Coordinate Frame=POS-TARG Pattern Orientation=47.2 Angle Between Sides= Center Pattern=false | | | | | (1-2) | | |
| Fixed Targets | # | Name | Target Coordinates | Targ. Coord. Corrections | Fluxes | Miscellaneous | | | | |
| | (21) | N3372-POS21 | RA: 10 46 47.0000 (161.6958333d) Dec: -60 09 15.00 (-60.15417d) Equinox: J2000 Plate Id: (?) | | V=10.0 | Coordinate Source: GUIDE_STAR_CATALOG | | | | |
| Exposures | # | Label | Target | Config,Mode,Aperture | Spectral Els. | Opt. Params. | Special Reqs. | Groups | Exp. Time/[Actual Dur.] | Orbit |
| | 1 | | (21) N3372-POS21 | ACS/WFC, ACCUM, WFC | F658N | CR-SPLIT=NO | POS TARG 0,0 | Pattern 1-2 (2) Prime + Parallel Group 1-2 | 500.0 Secs [==>(Pattern 1)] [==>(Pattern 2)] | [1] |
| 2 | | (21) N3372-POS21 | WFPC2, IMAGE, WFALL | F656N | | | Pattern 1-2 (2) Prime + Parallel Group 1-2 | 350.0 Secs [==>(Pattern 1)] [==>(Pattern 2)] | [1] | |



Proposal 10475 - Visit 03 - An ACS H-alpha Survey of the Carina Nebula

Thu Jan 26 02:02:54 GMT 2006

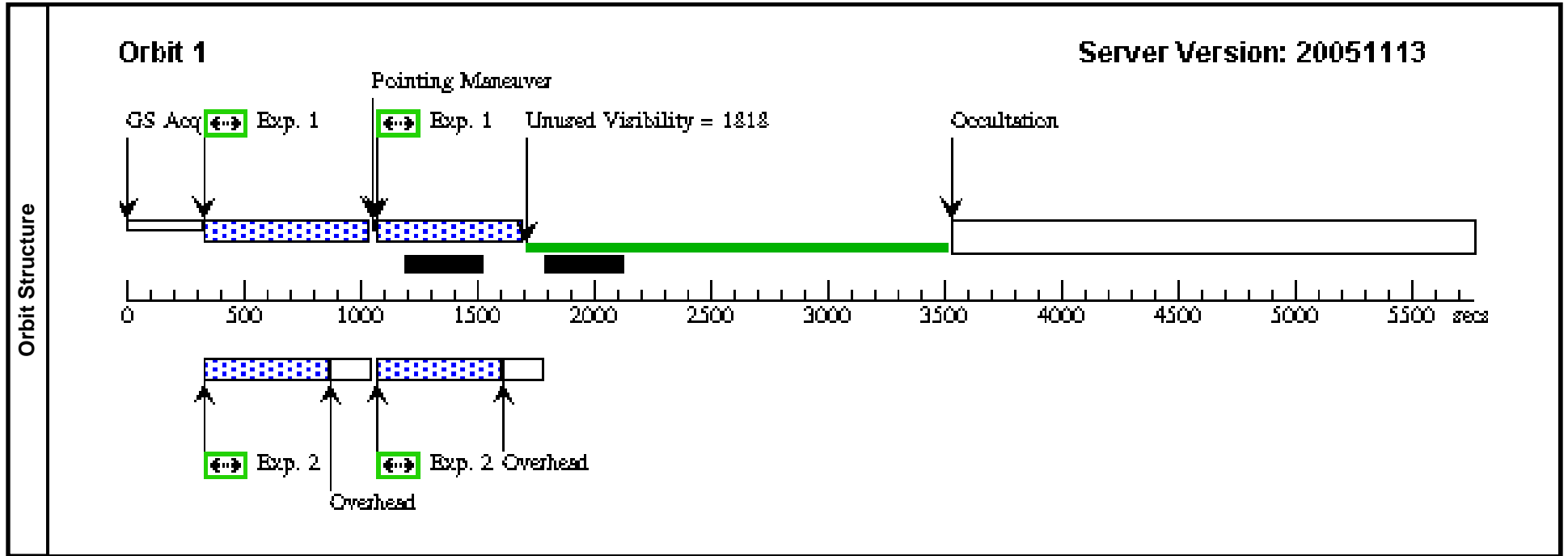
| | | | | | | | | | | | |
|----------------------|---|---|--|-----------------------------|---------------------------------|---|--------------------------|---|--------------------------------|--------------------------------------|--------------|
| Visit | Proposal 10475, Visit 03 Diagnostic Status: Warning Scientific Instruments: ACS/WFC, WFPC2 Special Requirements: ORIENT 8.0D TO 20.0 D | | | | | | | | | | |
| | Diagnostics | (Visit 03) Warning: PATTERN POSITION OUTSIDE APERTURE (Visit 03) Warning: PARALLELS SIGNIFICANTLY EXTEND ALIGNMENT TIME (Visit 03) Warning: PARALLELS SIGNIFICANTLY EXTEND ALIGNMENT TIME | | | | | | | | | |
| Patterns | | # | Primary Pattern | | | | Secondary Pattern | | | Exposures | |
| | (2) | Pattern Type=ACS-WFC-DITHER-LINE Purpose=DITHER Number Of Points=2 Point Spacing=0.146 Line Spacing= | | | | Coordinate Frame=POS-TARG Pattern Orientation=47.2 Angle Between Sides= Center Pattern=false | | | (1-2), (3-4) | | |
| Fixed Targets | # | Name | Target Coordinates | | Targ. Coord. Corrections | | Fluxes | Miscellaneous | | | |
| | (22) | N3372-POS22 | RA: 10 46 32.0000 (161.6333333d) Dec: -60 05 0.00 (-60.08333d) Equinox: J2000 Plate Id: (?) | | | | V=10.0 | Coordinate Source: GUIDE_STAR_CATALOG | | | |
| Exposures | # | Label | Target | Config,Mode,Aperture | Spectral Els. | Opt. Params. | Special Reqs. | Groups | Exp. Time/[Actual Dur.] | | Orbit |
| | 1 | | (22) N3372-POS22 | ACS/WFC, ACCUM, WFC | F658N | CR-SPLIT=NO | POS TARG 0,193.63 | Pattern 1-2 (2) Prime + Parallel Group 1-2 | 500.0 Secs | [==>(Pattern 1)] [==>(Pattern 2)] | [1] |
| | 2 | | (22) N3372-POS22 | WFPC2, IMAGE, WFALL | F656N | | | Pattern 1-2 (2) Prime + Parallel Group 1-2 | 350.0 Secs | [==>(Pattern 1)] [==>(Pattern 2)] | [1] |
| | 3 | | (22) N3372-POS22 | ACS/WFC, ACCUM, WFC | F658N | CR-SPLIT=NO | POS TARG 0,96.816 | Pattern 3-4 (2) Prime + Parallel Group 3-4 | 500.0 Secs | [==>(Pattern 1)] [==>(Pattern 2)] | [1] |
| | 4 | | (22) N3372-POS22 | WFPC2, IMAGE, WFALL | F656N | | | Pattern 3-4 (2) Prime + Parallel Group 3-4 | 350.0 Secs | [==>(Pattern 1)] [==>(Pattern 2)] | [1] |



Proposal 10475 - Visit 23 - An ACS H-alpha Survey of the Carina Nebula

Thu Jan 26 02:02:55 GMT 2006

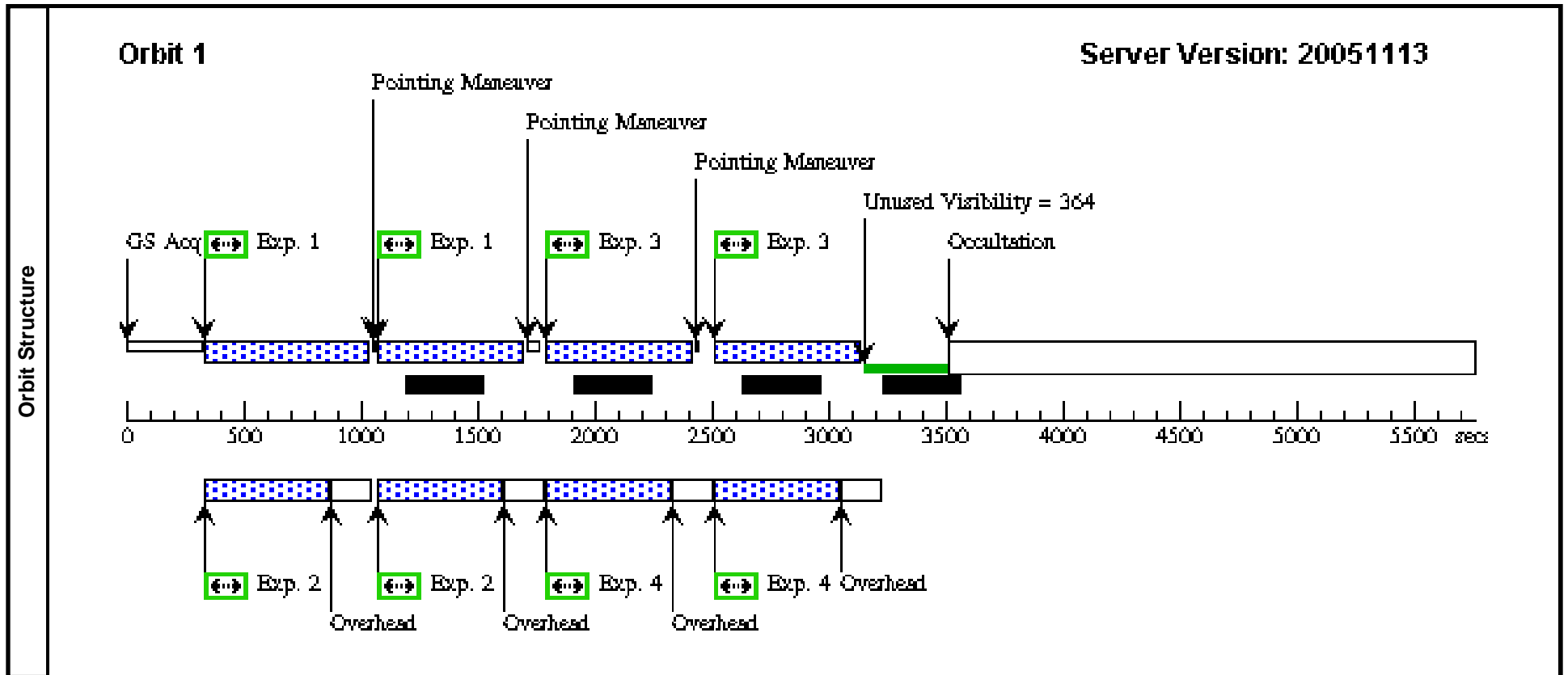
| Visit | | | | | | | | | | |
|--|------|--|---|--------------------------|-------------------|--|---|--|--|-------|
| Proposal 10475, Visit 23 Diagnostic Status: No Diagnostics Scientific Instruments: ACS/WFC, WFPC2 Special Requirements: SAME ORIENT AS 03 | | | | | | | | | | |
| Patterns | # | Primary Pattern | | | Secondary Pattern | | | Exposures | | |
| | (2) | Pattern Type=ACS-WFC-DITHER-LINE Purpose=DITHER Number Of Points=2 Point Spacing=0.146 Line Spacing= | Coordinate Frame=POS-TARG Pattern Orientation=47.2 Angle Between Sides= Center Pattern=false | | | | | (1-2) | | |
| Fixed Targets | # | Name | Target Coordinates | Targ. Coord. Corrections | Fluxes | Miscellaneous | | | | |
| | (22) | N3372-POS22 | RA: 10 46 32.0000 (161.6333333d) Dec: -60 05 0.00 (-60.08333d) Equinox: J2000 Plate Id: (?) | | V=10.0 | Coordinate Source: GUIDE_STAR_CATALOG | | | | |
| Exposures | # | Label | Target | Config,Mode,Aperture | Spectral Els. | Opt. Params. | Special Reqs. | Groups | Exp. Time/[Actual Dur.] | Orbit |
| | 1 | | (22) N3372-POS22 | ACS/WFC, ACCUM, WFC | F658N | CR-SPLIT=NO | POS TARG 0,0 | Pattern 1-2 (2) Prime + Parallel Group 1-2 | 500.0 Secs [==>(Pattern 1)] [==>(Pattern 2)] | [1] |
| 2 | | (22) N3372-POS22 | WFPC2, IMAGE, WFALL | F656N | | | Pattern 1-2 (2) Prime + Parallel Group 1-2 | 350.0 Secs [==>(Pattern 1)] [==>(Pattern 2)] | [1] | |



Proposal 10475 - Visit 04 - An ACS H-alpha Survey of the Carina Nebula

Thu Jan 26 02:02:55 GMT 2006

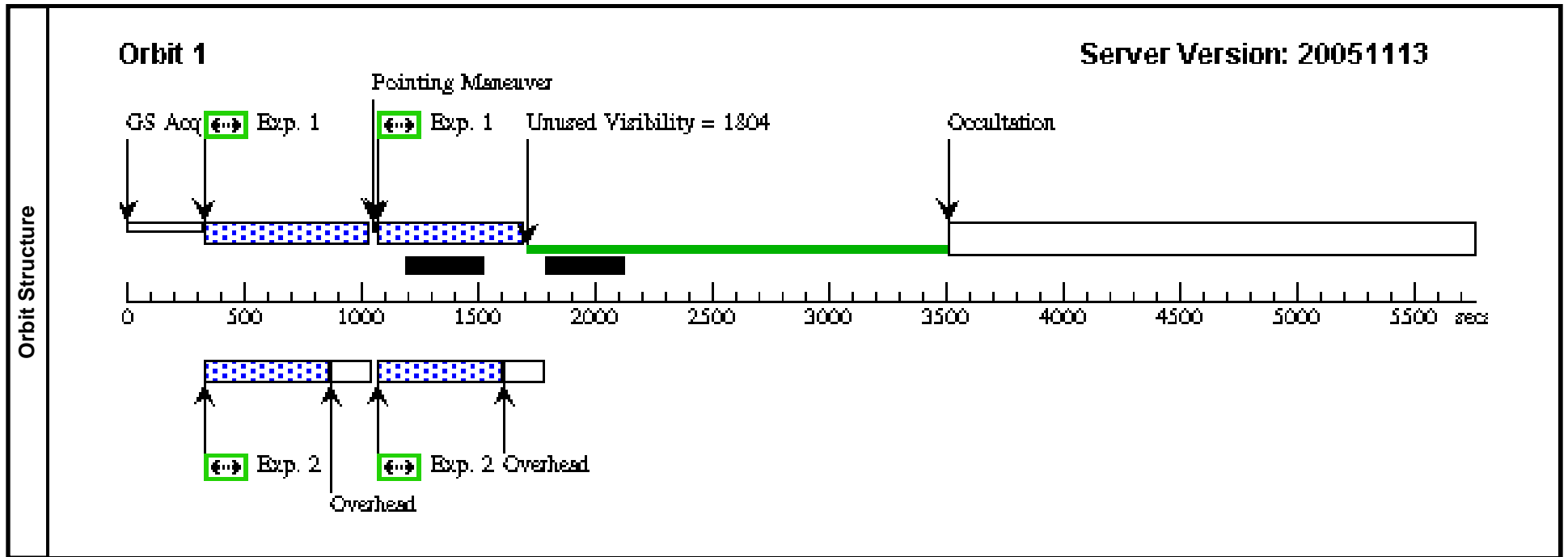
| | | | | | | | | | | | |
|----------------------|---|---|----------------------------------|-----------------------------|---------------------------------|---|--------------------------------------|--|--------------------------------|------------------|--------------|
| Visit | Proposal 10475, Visit 04 Diagnostic Status: Warning Scientific Instruments: ACS/WFC, WFPC2 Special Requirements: ORIENT 8.0D TO 20.0 D | | | | | | | | | | |
| | Diagnostics | (Visit 04) Warning: PARALLELS SIGNIFICANTLY EXTEND ALIGNMENT TIME (Visit 04) Warning: PARALLELS SIGNIFICANTLY EXTEND ALIGNMENT TIME (Visit 04) Warning: PATTERN POSITION OUTSIDE APERTURE | | | | | | | | | |
| Patterns | | # | Primary Pattern | | | | Secondary Pattern | | | Exposures | |
| | (2) | Pattern Type=ACS-WFC-DITHER- LINE Purpose=DITHER Number Of Points=2 Point Spacing=0.146 Line Spacing= | | | | Coordinate Frame=POS-TARG Pattern Orientation=47.2 Angle Between Sides= Center Pattern=false | | | (1-2), (3-4) | | |
| Fixed Targets | # | Name | Target Coordinates | | Targ. Coord. Corrections | | Fluxes | Miscellaneous | | | |
| | (24) | N3372-POS24 | RA: 10 45 53.0000 (161.4708333d) | | | | V=10.0 | Coordinate Source: GUIDE_STAR_CATALOG | | | |
| Exposures | # | Label | Target | Config,Mode,Aperture | Spectral Els. | Opt. Params. | Special Reqs. | Groups | Exp. Time/[Actual Dur.] | | Orbit |
| | 1 | (24) N3372-POS24 | ACS/WFC, ACCUM, WFC | F658N | CR-SPLIT=NO | POS TARG 0,193.63 | Pattern 1-2 (2) | 500.0 Secs | | | |
| | | | | | | | Prime + Parallel Gro up 1-2 | [==>(Pattern 1)] [==>(Pattern 2)] | | [1] | |
| | 2 | (24) N3372-POS24 | WFPC2, IMAGE, WFALL | F656N | | | Pattern 1-2 (2) | 350.0 Secs | | | |
| | | | | | | | Prime + Parallel Gro up 1-2 | [==>(Pattern 1)] [==>(Pattern 2)] | | [1] | |
| 3 | (24) N3372-POS24 | ACS/WFC, ACCUM, WFC | F658N | CR-SPLIT=NO | POS TARG 0,96.816 | Pattern 3-4 (2) | 500.0 Secs | | | | |
| | | | | | | Prime + Parallel Gro up 3-4 | [==>(Pattern 1)] [==>(Pattern 2)] | | [1] | | |
| 4 | (24) N3372-POS24 | WFPC2, IMAGE, WFALL | F656N | | | Pattern 3-4 (2) | 350.0 Secs | | | | |
| | | | | | | Prime + Parallel Gro up 3-4 | [==>(Pattern 1)] [==>(Pattern 2)] | | [1] | | |



Proposal 10475 - Visit 24 - An ACS H-alpha Survey of the Carina Nebula

Thu Jan 26 02:02:56 GMT 2006

| Visit | | | | | | | | | | |
|--|------|--|---|--------------------------|-------------------|---------------------------------------|---|--|--|-------|
| Proposal 10475, Visit 24 Diagnostic Status: No Diagnostics Scientific Instruments: ACS/WFC, WFPC2 Special Requirements: SAME ORIENT AS 04 | | | | | | | | | | |
| Patterns | # | Primary Pattern | | | Secondary Pattern | | | Exposures | | |
| | (2) | Pattern Type=ACS-WFC-DITHER-LINE Purpose=DITHER Number Of Points=2 Point Spacing=0.146 Line Spacing= | Coordinate Frame=POS-TARG Pattern Orientation=47.2 Angle Between Sides= Center Pattern=false | | | | | (1-2) | | |
| Fixed Targets | # | Name | Target Coordinates | Targ. Coord. Corrections | Fluxes | Miscellaneous | | | | |
| | (24) | N3372-POS24 Alt Name1: TREASURE-CHEST Alt Name2: CPD-592661 | RA: 10 45 53.0000 (161.4708333d) Dec: -59 57 4.00 (-59.95111d) Equinox: J2000 Plate Id: (?) | | V=10.0 | Coordinate Source: GUIDE_STAR_CATALOG | | | | |
| Exposures | # | Label | Target | Config,Mode,Aperture | Spectral Els. | Opt. Params. | Special Reqs. | Groups | Exp. Time/[Actual Dur.] | Orbit |
| | 1 | | (24) N3372-POS24 | ACS/WFC, ACCUM, WFC | F658N | CR-SPLIT=NO | POS TARG 0,0 | Pattern 1-2 (2) Prime + Parallel Group 1-2 | 500.0 Secs [=>(Pattern 1)] [=>(Pattern 2)] | [1] |
| 2 | | (24) N3372-POS24 | WFPC2, IMAGE, WFALL | F656N | | | Pattern 1-2 (2) Prime + Parallel Group 1-2 | 350.0 Secs [=>(Pattern 1)] [=>(Pattern 2)] | [1] | |



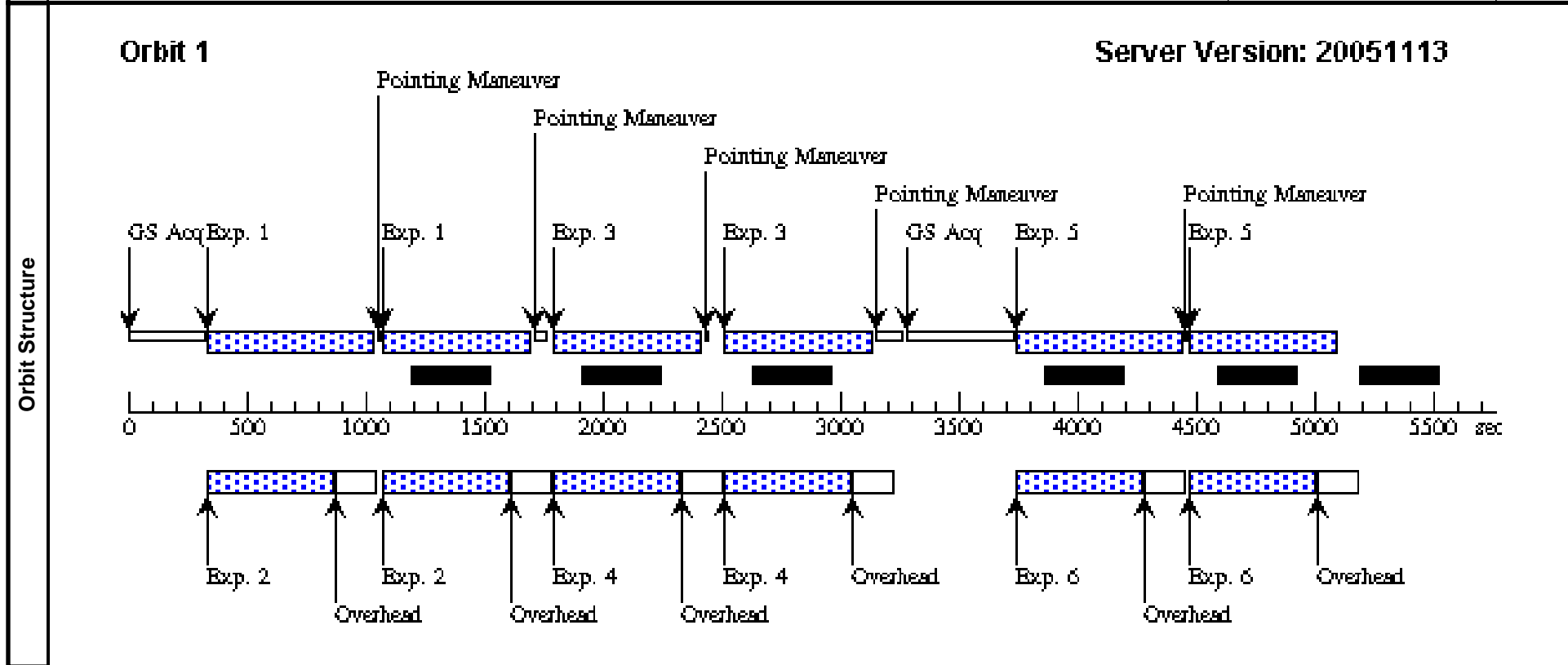
Proposal 10475 - Visit 05 - An ACS H-alpha Survey of the Carina Nebula

Thu Jan 26 02:02:57 GMT 2006

| | | | | | | | | | | |
|----------------------|---|--|---|-----------------------------|---------------------------------|---|---|--|--------------------------------|--------------|
| Visit | Proposal 10475, Visit 05 Diagnostic Status: Warning Scientific Instruments: ACS/WFC, WFPC2 Special Requirements: CVZ; ORIENT 190.0D TO 200.0 D | | | | | | | | | |
| | Diagnosics (Visit 05) Warning: PATTERN POSITION OUTSIDE APERTURE (Visit 05) Warning: PARALLELS SIGNIFICANTLY EXTEND ALIGNMENT TIME (Visit 05) Warning: PARALLELS SIGNIFICANTLY EXTEND ALIGNMENT TIME (Visit 05) Warning: PARALLELS SIGNIFICANTLY EXTEND ALIGNMENT TIME | | | | | | | | | |
| Patterns | # | Primary Pattern | | | | Secondary Pattern | | | Exposures | |
| | (2) | Pattern Type=ACS-WFC-DITHER-LINE Purpose=DITHER Number Of Points=2 Point Spacing=0.146 Line Spacing= | | | | Coordinate Frame=POS-TARG Pattern Orientation=47.2 Angle Between Sides= Center Pattern=false | | | (1-2), (3-4), (5-6) | |
| Fixed Targets | # | Name | Target Coordinates | | Targ. Coord. Corrections | | Fluxes | Miscellaneous | | |
| | (25) | N3372-POS25 | RA: 10 44 36.0000 (161.1500000d) Dec: -60 25 10.00 (-60.41944d) Equinox: J2000 Plate Id: (?) | | | | V=10.0 | Coordinate Source: GUIDE_STAR_CATALOG | | |
| Exposures | # | Label | Target | Config,Mode,Aperture | Spectral Els. | Opt. Params. | Special Reqs. | Groups | Exp. Time/[Actual Dur.] | Orbit |
| | 1 | (25) N3372-POS25 | ACS/WFC, ACCUM, WFC | F658N | CR-SPLIT=NO | POS TARG 0,193.63 | Pattern 1-2 (2) Prime + Parallel Group 1-2 | 500.0 Secs [==>(Pattern 1)] [==>(Pattern 2)] | [1] | |
| | 2 | (25) N3372-POS25 | WFPC2, IMAGE, WFALL | F656N | | | Pattern 1-2 (2) Prime + Parallel Group 1-2 | 350.0 Secs [==>(Pattern 1)] [==>(Pattern 2)] | [1] | |
| | 3 | (25) N3372-POS25 | ACS/WFC, ACCUM, WFC | F658N | CR-SPLIT=NO | POS TARG 0,96.816 | Pattern 3-4 (2) Prime + Parallel Group 3-4 | 500.0 Secs [==>(Pattern 1)] [==>(Pattern 2)] | [1] | |
| | 4 | (25) N3372-POS25 | WFPC2, IMAGE, WFALL | F656N | | | Pattern 3-4 (2) Prime + Parallel Group 3-4 | 350.0 Secs [==>(Pattern 1)] [==>(Pattern 2)] | [1] | |
| | 5 | (25) N3372-POS25 | ACS/WFC, ACCUM, WFC | F658N | CR-SPLIT=NO | POS TARG 0,0 | Pattern 5-6 (2) Prime + Parallel Group 5-6 | 500.0 Secs [==>(Pattern 1)] [==>(Pattern 2)] | [1] | |

Proposal 10475 - Visit 05 - An ACS H-alpha Survey of the Carina Nebula

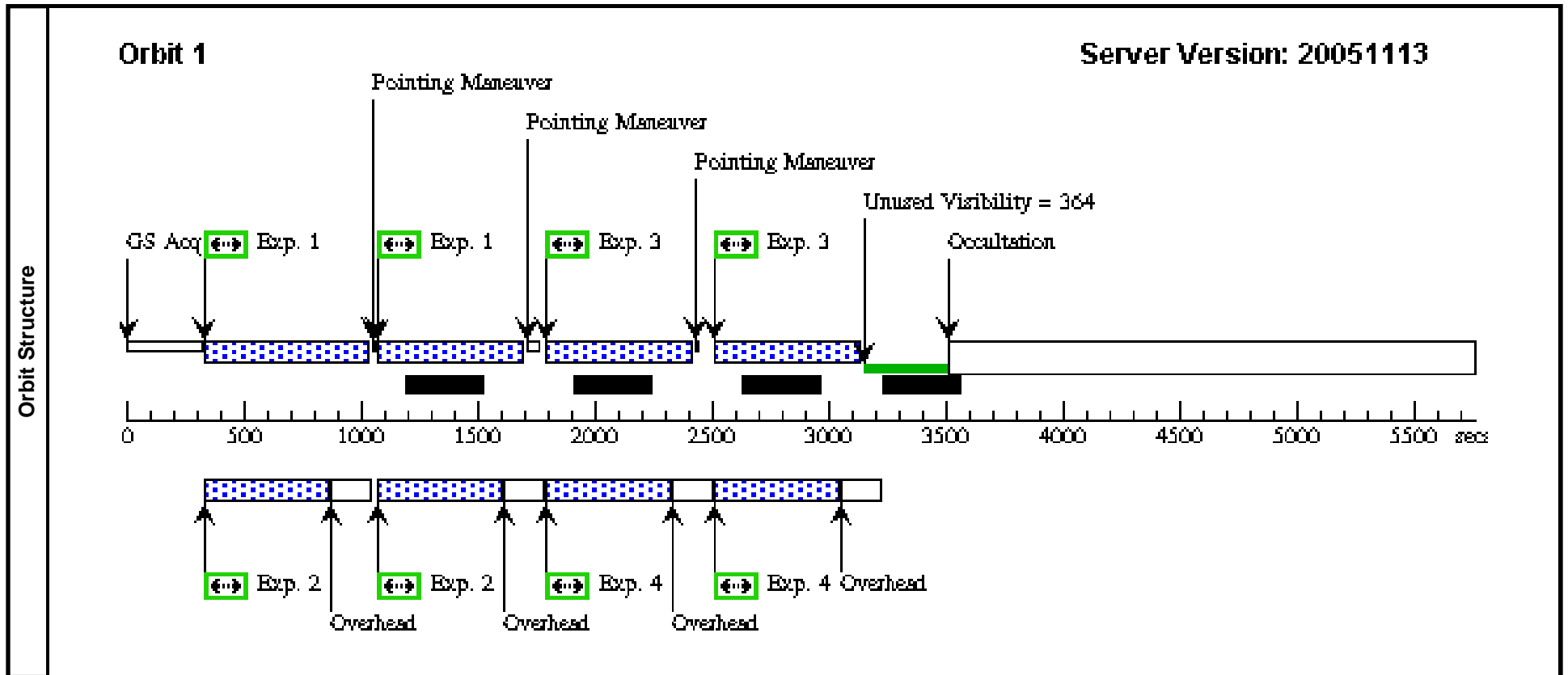
| Exposures (continued) | # | Label | Target | Config, Mode, Aperture | Spectral Els. | Opt. Params. | Special Reqs. | Groups | Exp. Time/[Actual Dur.] | Orbit |
|-----------------------|---|-------|------------------|------------------------|---------------|--------------|---------------|---|--|-------|
| | 6 | | (25) N3372-POS25 | WFPC2, IMAGE, WFALL | F656N | | | Pattern 5-6 (2) Prime + Parallel Group 5-6 | 350.0 Secs [=>(Pattern 1)] [=>(Pattern 2)] | [1] |



Proposal 10475 - Visit 06 - An ACS H-alpha Survey of the Carina Nebula

Thu Jan 26 02:02:57 GMT 2006

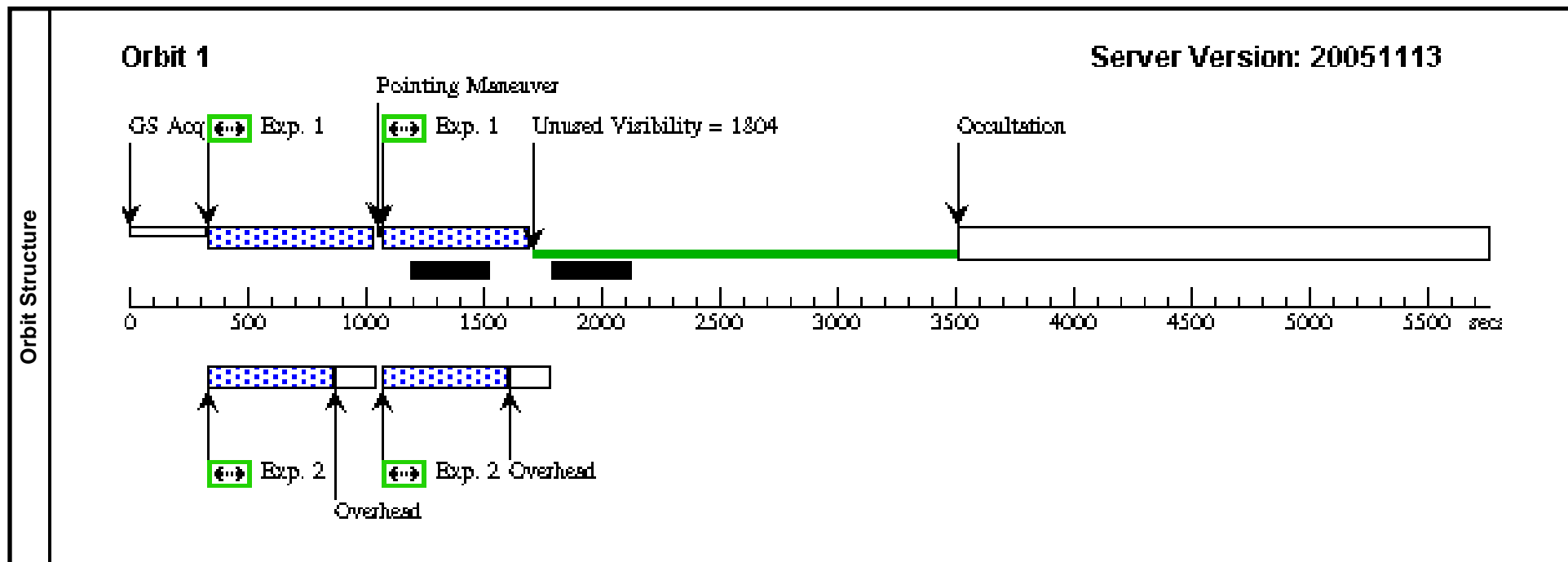
| | | | | | | | | | | | |
|----------------------|---|---|---|-----------------------------|---------------------------------|---|--------------------------|---|--------------------------------|--------------------------------------|--------------|
| Visit | Proposal 10475, Visit 06 Diagnostic Status: Warning Scientific Instruments: ACS/WFC, WFPC2 Special Requirements: ORIENT 8.0D TO 20.0 D | | | | | | | | | | |
| | Diagnostics | (Visit 06) Warning: PARALLELS SIGNIFICANTLY EXTEND ALIGNMENT TIME (Visit 06) Warning: PARALLELS SIGNIFICANTLY EXTEND ALIGNMENT TIME (Visit 06) Warning: PATTERN POSITION OUTSIDE APERTURE | | | | | | | | | |
| Patterns | | # | Primary Pattern | | | | Secondary Pattern | | | Exposures | |
| | (2) | Pattern Type=ACS-WFC-DITHER-LINE Purpose=DITHER Number Of Points=2 Point Spacing=0.146 Line Spacing= | | | | Coordinate Frame=POS-TARG Pattern Orientation=47.2 Angle Between Sides= Center Pattern=false | | | (1-2), (3-4) | | |
| Fixed Targets | # | Name | Target Coordinates | | Targ. Coord. Corrections | | Fluxes | Miscellaneous | | | |
| | (26) | N3372-POS26 | RA: 10 45 15.5000 (161.3145833d) Dec: -59 58 25.00 (-59.97361d) Equinox: J2000 Plate Id: (?) | | | | V=10.0 | Coordinate Source: GUIDE_STAR_CATALOG | | | |
| Exposures | # | Label | Target | Config,Mode,Aperture | Spectral Els. | Opt. Params. | Special Reqs. | Groups | Exp. Time/[Actual Dur.] | | Orbit |
| | 1 | | (26) N3372-POS26 | ACS/WFC, ACCUM, WFC | F658N | CR-SPLIT=NO | POS TARG 0,193.63 | Pattern 1-2 (2) Prime + Parallel Group 1-2 | 500.0 Secs | [==>(Pattern 1)] [==>(Pattern 2)] | [1] |
| | 2 | | (26) N3372-POS26 | WFPC2, IMAGE, WFALL | F673N | | | Pattern 1-2 (2) Prime + Parallel Group 1-2 | 350.0 Secs | [==>(Pattern 1)] [==>(Pattern 2)] | [1] |
| | 3 | | (26) N3372-POS26 | ACS/WFC, ACCUM, WFC | F658N | CR-SPLIT=NO | POS TARG 0,96.816 | Pattern 3-4 (2) Prime + Parallel Group 3-4 | 500.0 Secs | [==>(Pattern 1)] [==>(Pattern 2)] | [1] |
| | 4 | | (26) N3372-POS26 | WFPC2, IMAGE, WFALL | F673N | | | Pattern 3-4 (2) Prime + Parallel Group 3-4 | 350.0 Secs | [==>(Pattern 1)] [==>(Pattern 2)] | [1] |



Proposal 10475 - Visit 26 - An ACS H-alpha Survey of the Carina Nebula

Thu Jan 26 02:02:58 GMT 2006

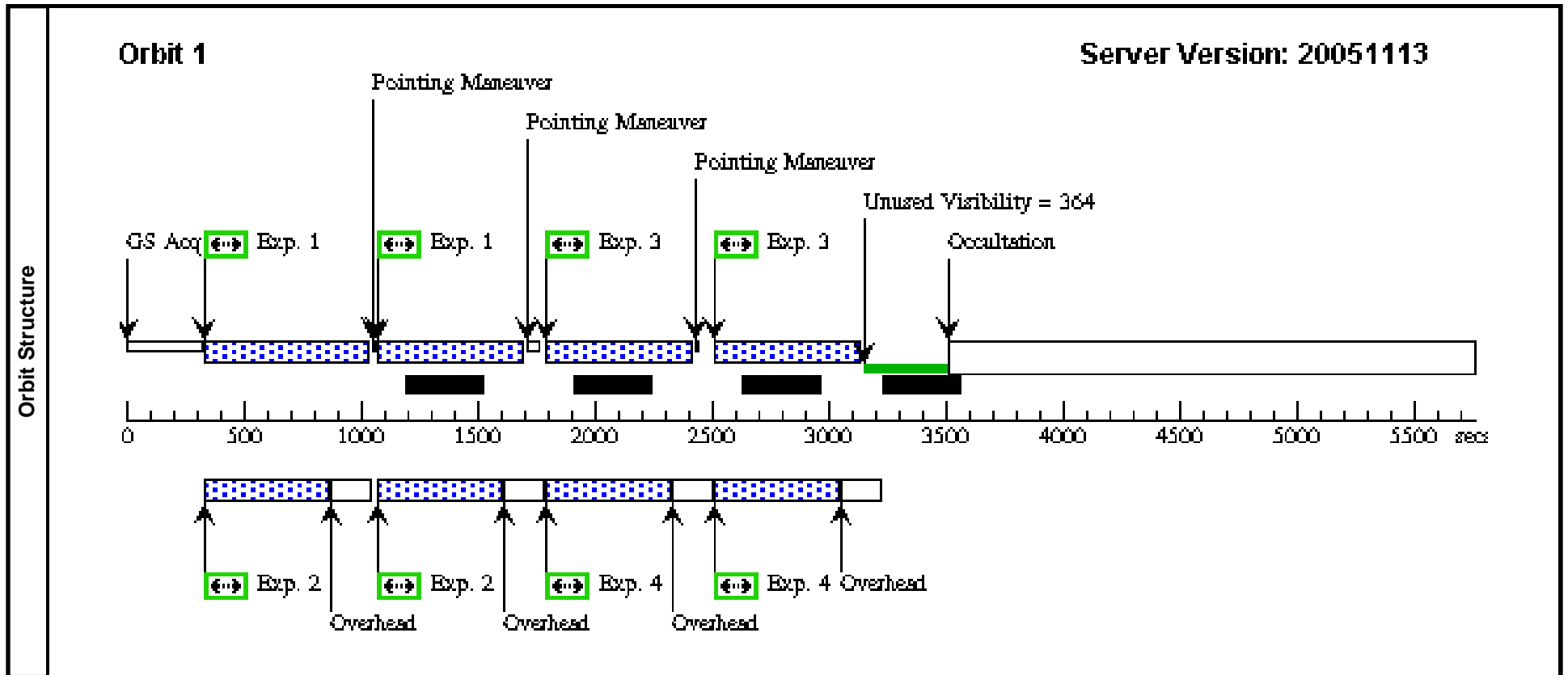
| Visit | | | | | | | | | | |
|--|------|--|---|--------------------------|-------------------|--------------|---|--|--|-------|
| Proposal 10475, Visit 26 Diagnostic Status: No Diagnostics Scientific Instruments: ACS/WFC, WFPC2 Special Requirements: SAME ORIENT AS 06 | | | | | | | | | | |
| Patterns | # | Primary Pattern | | | Secondary Pattern | | | Exposures | | |
| | (2) | Pattern Type=ACS-WFC-DITHER-LINE Purpose=DITHER Number Of Points=2 Point Spacing=0.146 Line Spacing= | Coordinate Frame=POS-TARG Pattern Orientation=47.2 Angle Between Sides= Center Pattern=false | | | | | (1-2) | | |
| Fixed Targets | # | Name | Target Coordinates | Targ. Coord. Corrections | | Fluxes | Miscellaneous | | | |
| | (26) | N3372-POS26 | RA: 10 45 15.5000 (161.3145833d) Dec: -59 58 25.00 (-59.97361d) Equinox: J2000 Plate Id: (?) | | | V=10.0 | Coordinate Source: GUIDE_STAR_CATALOG | | | |
| Exposures | # | Label | Target | Config,Mode,Aperture | Spectral Els. | Opt. Params. | Special Reqs. | Groups | Exp. Time/[Actual Dur.] | Orbit |
| | 1 | | (26) N3372-POS26 | ACS/WFC, ACCUM, WFC | F658N | CR-SPLIT=NO | POS TARG 0,0 | Pattern 1-2 (2) Prime + Parallel Group 1-2 | 500.0 Secs [==>(Pattern 1)] [==>(Pattern 2)] | [1] |
| 2 | | (26) N3372-POS26 | WFPC2, IMAGE, WFALL | F673N | | | Pattern 1-2 (2) Prime + Parallel Group 1-2 | 350.0 Secs [==>(Pattern 1)] [==>(Pattern 2)] | [1] | |



Proposal 10475 - Visit 07 - An ACS H-alpha Survey of the Carina Nebula

Thu Jan 26 02:02:58 GMT 2006

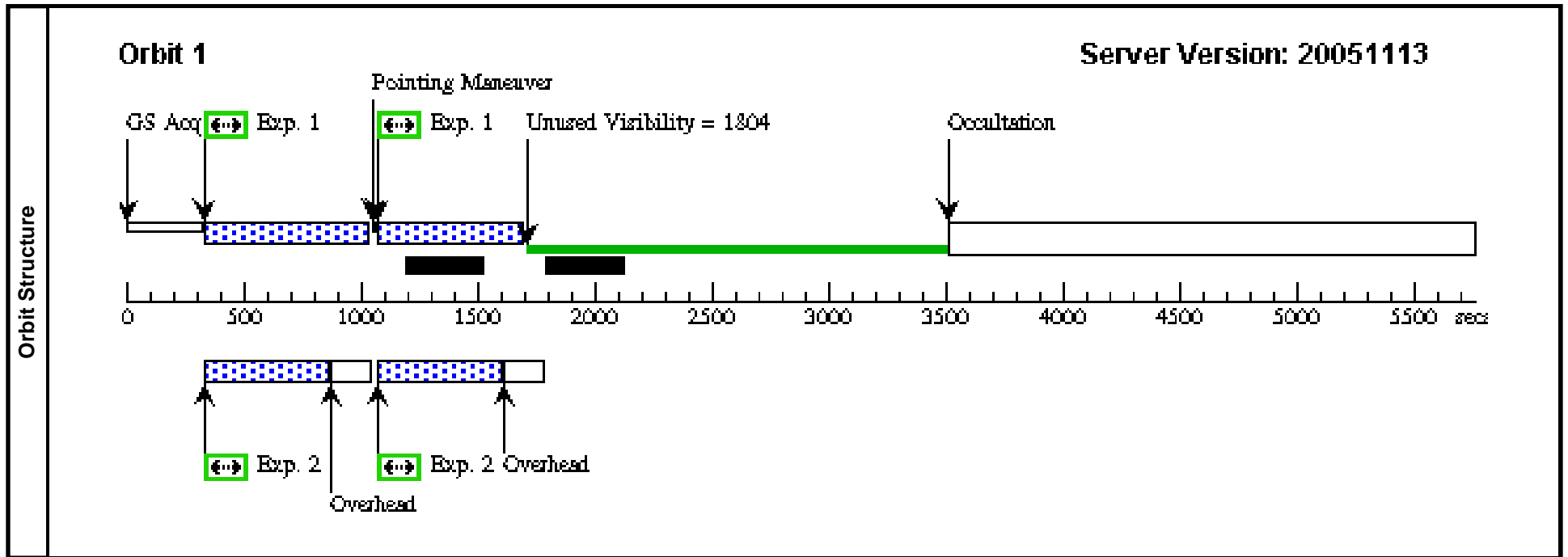
| | | | | | | | | | | | |
|----------------------|---|---|---|-----------------------------|---------------------------------|---|--------------------------|---|--------------------------------|--------------------------------------|--------------|
| Visit | Proposal 10475, Visit 07 Diagnostic Status: Warning Scientific Instruments: ACS/WFC, WFPC2 Special Requirements: ORIENT 8.0D TO 20.0 D | | | | | | | | | | |
| | Diagnostics | (Visit 07) Warning: PATTERN POSITION OUTSIDE APERTURE (Visit 07) Warning: PARALLELS SIGNIFICANTLY EXTEND ALIGNMENT TIME (Visit 07) Warning: PARALLELS SIGNIFICANTLY EXTEND ALIGNMENT TIME | | | | | | | | | |
| Patterns | | # | Primary Pattern | | | | Secondary Pattern | | | Exposures | |
| | (2) | Pattern Type=ACS-WFC-DITHER-LINE Purpose=DITHER Number Of Points=2 Point Spacing=0.146 Line Spacing= | | | | Coordinate Frame=POS-TARG Pattern Orientation=47.2 Angle Between Sides= Center Pattern=false | | | (1-2), (3-4) | | |
| Fixed Targets | # | Name | Target Coordinates | | Targ. Coord. Corrections | | Fluxes | Miscellaneous | | | |
| | (27) | N3372-POS27 Alt Name1: TEARDROP | RA: 10 44 43.0000 (161.1791667d) Dec: -59 56 20.00 (-59.93889d) Equinox: J2000 Plate Id: (?) | | | | V=10.0 | Coordinate Source: GUIDE_STAR_CATALOG | | | |
| Exposures | # | Label | Target | Config,Mode,Aperture | Spectral Els. | Opt. Params. | Special Reqs. | Groups | Exp. Time/[Actual Dur.] | | Orbit |
| | 1 | | (27) N3372-POS27 | ACS/WFC, ACCUM, WFC | F658N | CR-SPLIT=NO | POS TARG 0,193.63 | Pattern 1-2 (2) Prime + Parallel Group 1-2 | 500.0 Secs | [==>(Pattern 1)] [==>(Pattern 2)] | [1] |
| | 2 | | (27) N3372-POS27 | WFPC2, IMAGE, WFALL | F656N | | | Pattern 1-2 (2) Prime + Parallel Group 1-2 | 350.0 Secs | [==>(Pattern 1)] [==>(Pattern 2)] | [1] |
| | 3 | | (27) N3372-POS27 | ACS/WFC, ACCUM, WFC | F658N | CR-SPLIT=NO | POS TARG 0,96.816 | Pattern 3-4 (2) Prime + Parallel Group 3-4 | 500.0 Secs | [==>(Pattern 1)] [==>(Pattern 2)] | [1] |
| | 4 | | (27) N3372-POS27 | WFPC2, IMAGE, WFALL | F656N | | | Pattern 3-4 (2) Prime + Parallel Group 3-4 | 350.0 Secs | [==>(Pattern 1)] [==>(Pattern 2)] | [1] |



Proposal 10475 - Visit 27 - An ACS H-alpha Survey of the Carina Nebula

Thu Jan 26 02:02:58 GMT 2006

| Visit | | | | | | | | | | |
|--|------|--|---|--------------------------|-------------------|--------------|---|--|--|-------|
| Proposal 10475, Visit 27 Diagnostic Status: No Diagnostics Scientific Instruments: ACS/WFC, WFPC2 Special Requirements: SAME ORIENT AS 07 | | | | | | | | | | |
| Patterns | # | Primary Pattern | | | Secondary Pattern | | | Exposures | | |
| | (2) | Pattern Type=ACS-WFC-DITHER-LINE Purpose=DITHER Number Of Points=2 Point Spacing=0.146 Line Spacing= | Coordinate Frame=POS-TARG Pattern Orientation=47.2 Angle Between Sides= Center Pattern=false | | | | | (1-2) | | |
| Fixed Targets | # | Name | Target Coordinates | Targ. Coord. Corrections | | Fluxes | Miscellaneous | | | |
| | (27) | N3372-POS27 Alt Name1: TEARDROP | RA: 10 44 43.0000 (161.1791667d) Dec: -59 56 20.00 (-59.93889d) Equinox: J2000 Plate Id: (?) | | | V=10.0 | Coordinate Source: GUIDE_STAR_CATALOG | | | |
| Exposures | # | Label | Target | Config,Mode,Aperture | Spectral Els. | Opt. Params. | Special Reqs. | Groups | Exp. Time/[Actual Dur.] | Orbit |
| | 1 | | (27) N3372-POS27 | ACS/WFC, ACCUM, WFC | F658N | CR-SPLIT=NO | POS TARG 0,0 | Pattern 1-2 (2) Prime + Parallel Group 1-2 | 500.0 Secs [==>(Pattern 1)] [==>(Pattern 2)] | [1] |
| 2 | | (27) N3372-POS27 | WFPC2, IMAGE, WFALL | F656N | | | Pattern 1-2 (2) Prime + Parallel Group 1-2 | 350.0 Secs [==>(Pattern 1)] [==>(Pattern 2)] | [1] | |



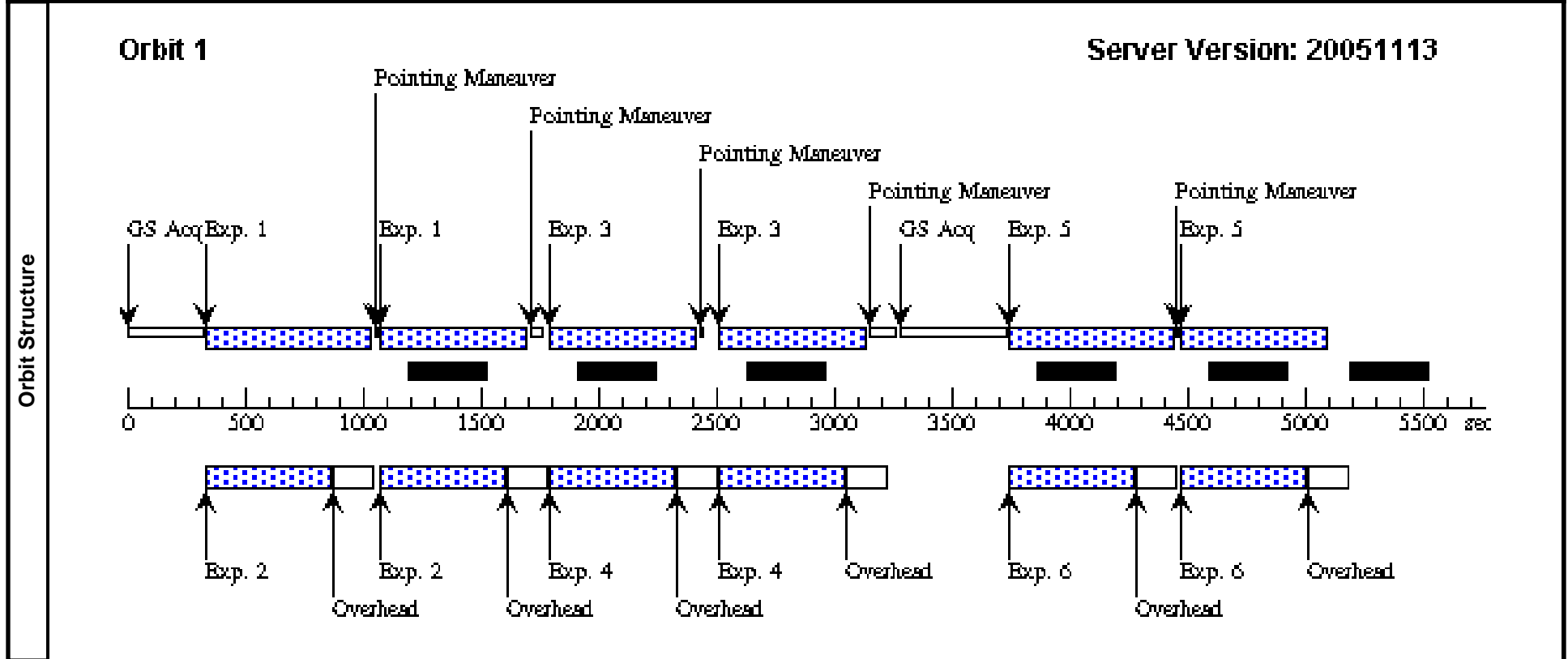
Proposal 10475 - Visit 08 - An ACS H-alpha Survey of the Carina Nebula

Thu Jan 26 02:02:58 GMT 2006

| | | | | | | | | | | | |
|----------------------|--|--|---|---|---------------------------------|--------------------------|----------------------|---|--------------------------------|--------------------------------------|--------------|
| Visit | Proposal 10475, Visit 08 Diagnostic Status: Warning Scientific Instruments: ACS/WFC, WFPC2 Special Requirements: CVZ; ORIENT 75.0D TO 80.0 D | | | | | | | | | | |
| | Diagnostics (Visit 08) Warning: PARALLELS SIGNIFICANTLY EXTEND ALIGNMENT TIME (Visit 08) Warning: PARALLELS SIGNIFICANTLY EXTEND ALIGNMENT TIME (Visit 08) Warning: PARALLELS SIGNIFICANTLY EXTEND ALIGNMENT TIME (Visit 08) Warning: PATTERN POSITION OUTSIDE APERTURE | | | | | | | | | | |
| Patterns | # | Primary Pattern | | | | Secondary Pattern | | | Exposures | | |
| | (2) | Pattern Type=ACS-WFC-DITHER-LINE Purpose=DITHER Number Of Points=2 Point Spacing=0.146 Line Spacing= | | Coordinate Frame=POS-TARG Pattern Orientation=47.2 Angle Between Sides= Center Pattern=false | | | | | (1-2), (3-4), (5-6) | | |
| Fixed Targets | # | Name | Target Coordinates | | Targ. Coord. Corrections | | Fluxes | Miscellaneous | | | |
| | (28) | N3372-POS28 | RA: 10 39 5.0000 (159.7708333d) Dec: -59 36 0.00 (-59.60000d) Equinox: J2000 Plate Id: (?) | | | | V=10.0 | Coordinate Source: GUIDE_STAR_CATALOG | | | |
| Exposures | # | Label | Target | Config,Mode,Aperture | Spectral Els. | Opt. Params. | Special Reqs. | Groups | Exp. Time/[Actual Dur.] | | Orbit |
| | 1 | | (28) N3372-POS28 | ACS/WFC, ACCUM, WFC | F658N | CR-SPLIT=NO | POS TARG 0,193.63 | Pattern 1-2 (2) Prime + Parallel Group 1-2 | 500.0 Secs | [==>(Pattern 1)] [==>(Pattern 2)] | [1] |
| | 2 | | (28) N3372-POS28 | WFPC2, IMAGE, WFALL | F656N | | | Pattern 1-2 (2) Prime + Parallel Group 1-2 | 350.0 Secs | [==>(Pattern 1)] [==>(Pattern 2)] | [1] |
| | 3 | | (28) N3372-POS28 | ACS/WFC, ACCUM, WFC | F658N | CR-SPLIT=NO | POS TARG 0,96.816 | Pattern 3-4 (2) Prime + Parallel Group 3-4 | 500.0 Secs | [==>(Pattern 1)] [==>(Pattern 2)] | [1] |
| | 4 | | (28) N3372-POS28 | WFPC2, IMAGE, WFALL | F656N | | | Pattern 3-4 (2) Prime + Parallel Group 3-4 | 350.0 Secs | [==>(Pattern 1)] [==>(Pattern 2)] | [1] |
| | 5 | | (28) N3372-POS28 | ACS/WFC, ACCUM, WFC | F658N | CR-SPLIT=NO | POS TARG 0,0 | Pattern 5-6 (2) Prime + Parallel Group 5-6 | 500.0 Secs | [==>(Pattern 1)] [==>(Pattern 2)] | [1] |

Proposal 10475 - Visit 08 - An ACS H-alpha Survey of the Carina Nebula

| Exposures (continued) | # | Label | Target | Config, Mode, Aperture | Spectral Els. | Opt. Params. | Special Reqs. | Groups | Exp. Time/[Actual Dur.] | Orbit |
|-----------------------|---|-------|------------------|------------------------|---------------|--------------|---------------|---|--|-------|
| | 6 | | (28) N3372-POS28 | WFPC2, IMAGE, WFALL | F656N | | | Pattern 5-6 (2) Prime + Parallel Gro up 5-6 | 350.0 Secs [=>(Pattern 1)] [=>(Pattern 2)] | [1] |



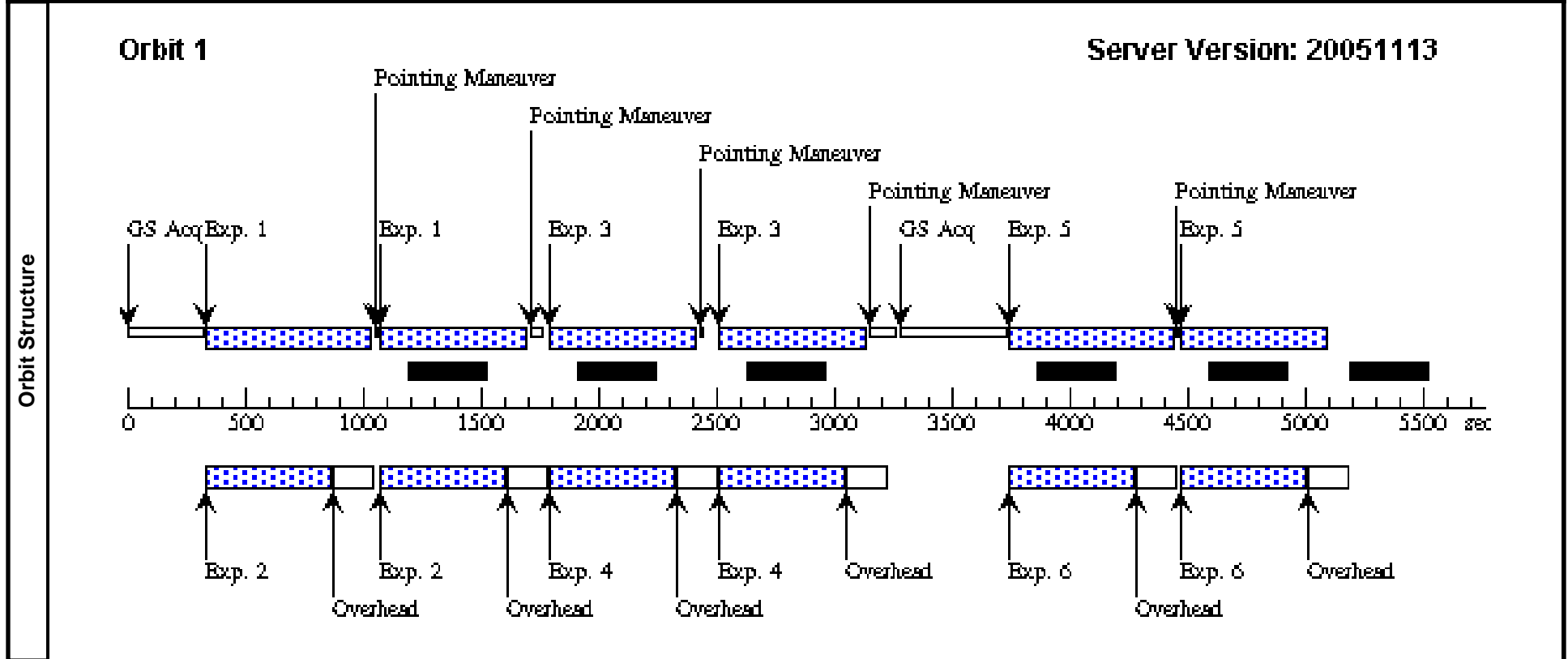
Proposal 10475 - Visit 09 - An ACS H-alpha Survey of the Carina Nebula

Thu Jan 26 02:02:59 GMT 2006

| | | | | | | | | | | | |
|----------------------|---|--|---|-----------------------------|---------------------------------|---|-------------------------|---|--------------------------------|--------------------------------------|--------------|
| Visit | Proposal 10475, Visit 09 Diagnostic Status: Warning Scientific Instruments: ACS/WFC, WFPC2 Special Requirements: CVZ; ORIENT 190.0D TO 195.0 D | | | | | | | | | | |
| | (Visit 09) Warning: PARALLELS SIGNIFICANTLY EXTEND ALIGNMENT TIME (Visit 09) Warning: PARALLELS SIGNIFICANTLY EXTEND ALIGNMENT TIME (Visit 09) Warning: PARALLELS SIGNIFICANTLY EXTEND ALIGNMENT TIME | | | | | | | | | | |
| Diagnosics | | | | | | | | | | | |
| | | | | | | | | | | | |
| Patterns | # | Primary Pattern | | | | Secondary Pattern | | | Exposures | | |
| | (2) | Pattern Type=ACS-WFC-DITHER-LINE Purpose=DITHER Number Of Points=2 Point Spacing=0.146 Line Spacing= | | | | Coordinate Frame=POS-TARG Pattern Orientation=47.2 Angle Between Sides= Center Pattern=false | | | (1-2), (3-4), (5-6) | | |
| Fixed Targets | # | Name | Target Coordinates | | Targ. Coord. Corrections | | Fluxes | Miscellaneous | | | |
| | (30) | N3372-POS30 | RA: 10 41 38.0000 (160.4083333d) Dec: -59 46 30.00 (-59.77500d) Equinox: J2000 Plate Id: (?) | | | | V=10.0 | Coordinate Source: GUIDE_STAR_CATALOG | | | |
| Exposures | # | Label | Target | Config,Mode,Aperture | Spectral Els. | Opt. Params. | Special Reqs. | Groups | Exp. Time/[Actual Dur.] | | Orbit |
| | 1 | | (30) N3372-POS30 | ACS/WFC, ACCUM, WFC | F658N | CR-SPLIT=NO | POS TARG 70,-96.8 16 | Pattern 1-2 (2) Prime + Parallel Gro up 1-2 | 500.0 Secs | [==>(Pattern 1)] [==>(Pattern 2)] | [1] |
| | 2 | | (30) N3372-POS30 | WFPC2, IMAGE, WFALL | F656N | | | Pattern 1-2 (2) Prime + Parallel Gro up 1-2 | 350.0 Secs | [==>(Pattern 1)] [==>(Pattern 2)] | [1] |
| | 3 | | (30) N3372-POS30 | ACS/WFC, ACCUM, WFC | F658N | CR-SPLIT=NO | POS TARG 0,0 | Pattern 3-4 (2) Prime + Parallel Gro up 3-4 | 500.0 Secs | [==>(Pattern 1)] [==>(Pattern 2)] | [1] |
| | 4 | | (30) N3372-POS30 | WFPC2, IMAGE, WFALL | F656N | | | Pattern 3-4 (2) Prime + Parallel Gro up 3-4 | 350.0 Secs | [==>(Pattern 1)] [==>(Pattern 2)] | [1] |
| | 5 | | (30) N3372-POS30 | ACS/WFC, ACCUM, WFC | F658N | CR-SPLIT=NO | POS TARG 0,96.816 | Pattern 5-6 (2) Prime + Parallel Gro up 5-6 | 500.0 Secs | [==>(Pattern 1)] [==>(Pattern 2)] | [1] |

Proposal 10475 - Visit 09 - An ACS H-alpha Survey of the Carina Nebula

| Exposures (continued) | # | Label | Target | Config, Mode, Aperture | Spectral Els. | Opt. Params. | Special Reqs. | Groups | Exp. Time/[Actual Dur.] | Orbit |
|-----------------------|---|-------|------------------|------------------------|---------------|--------------|---------------|---|--|-------|
| | 6 | | (30) N3372-POS30 | WFPC2, IMAGE, WFALL | F656N | | | Pattern 5-6 (2) Prime + Parallel Group 5-6 | 350.0 Secs [=>(Pattern 1)] [=>(Pattern 2)] | [1] |



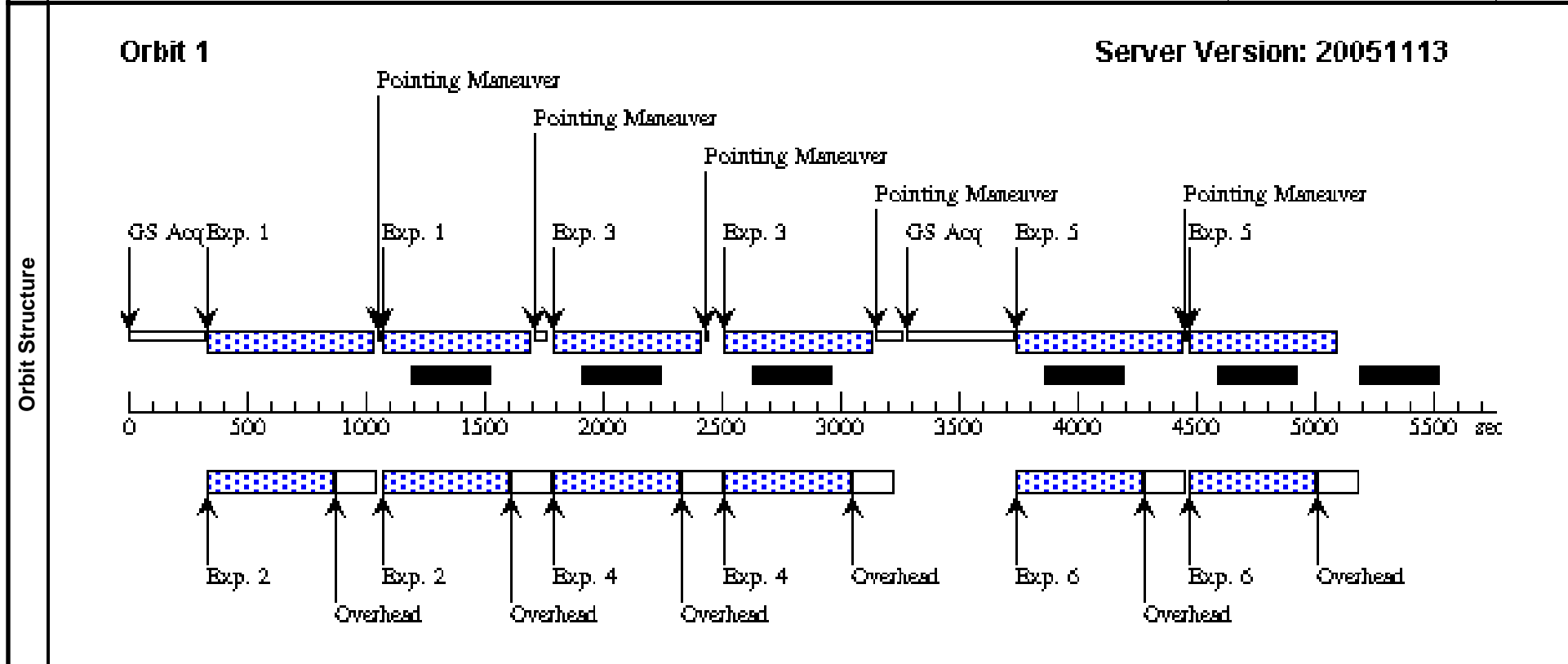
Proposal 10475 - Visit 10 - An ACS H-alpha Survey of the Carina Nebula

Thu Jan 26 02:02:59 GMT 2006

| | | | | | | | | | | | |
|---|---|--|---|-----------------------------|---------------------------------|---|----------------------------|--|--------------------------------|-----|--------------|
| Visit | Proposal 10475, Visit 10 Diagnostic Status: Warning Scientific Instruments: ACS/WFC, WFPC2 Special Requirements: CVZ; ORIENT 275.0D TO 280.0 D | | | | | | | | | | |
| | Diagnostics | (Visit 10) Warning: PARALLELS SIGNIFICANTLY EXTEND ALIGNMENT TIME | | | | | | | | | |
| (Visit 10) Warning: PATTERN POSITION OUTSIDE APERTURE | | | | | | | | | | | |
| (Visit 10) Warning: PARALLELS SIGNIFICANTLY EXTEND ALIGNMENT TIME | | | | | | | | | | | |
| (Visit 10) Warning: PARALLELS SIGNIFICANTLY EXTEND ALIGNMENT TIME | | | | | | | | | | | |
| Patterns | # | Primary Pattern | | | | Secondary Pattern | | | Exposures | | |
| | (2) | Pattern Type=ACS-WFC-DITHER-LINE Purpose=DITHER Number Of Points=2 Point Spacing=0.146 Line Spacing= | | | | Coordinate Frame=POS-TARG Pattern Orientation=47.2 Angle Between Sides= Center Pattern=false | | | (1-2), (3-4), (5-6) | | |
| Fixed Targets | # | Name | Target Coordinates | | Targ. Coord. Corrections | | Fluxes | Miscellaneous | | | |
| | (17) | N3372-TR15 | RA: 10 44 56.0000 (161.2333333d) Dec: -59 26 50.00 (-59.44722d) Equinox: J2000 Plate Id: (?) | | | | V=10.0 | Coordinate Source: GUIDE_STAR_CATALOG | | | |
| Exposures | # | Label | Target | Config,Mode,Aperture | Spectral Els. | Opt. Params. | Special Reqs. | Groups | Exp. Time/[Actual Dur.] | | Orbit |
| | 1 | (17) N3372-TR15 | ACS/WFC, ACCUM, WFC | F658N | CR-SPLIT=NO | POS TARG 0,193.63 | Pattern 1-2 (2) | 500.0 Secs | | | |
| | | | | | | | Prime + Parallel Group 1-2 | [==>(Pattern 1)] | | [1] | |
| | | | | | | | | [==>(Pattern 2)] | | | |
| | 2 | (17) N3372-TR15 | WFPC2, IMAGE, WFALL | F656N | | | Pattern 1-2 (2) | 350.0 Secs | | | |
| | | | | | | | Prime + Parallel Group 1-2 | [==>(Pattern 1)] | | [1] | |
| | | | | | | | [==>(Pattern 2)] | | | | |
| 3 | (17) N3372-TR15 | ACS/WFC, ACCUM, WFC | F658N | CR-SPLIT=NO | POS TARG 0,96.816 | Pattern 3-4 (2) | 500.0 Secs | | | | |
| | | | | | | Prime + Parallel Group 3-4 | [==>(Pattern 1)] | | [1] | | |
| | | | | | | | [==>(Pattern 2)] | | | | |
| 4 | (17) N3372-TR15 | WFPC2, IMAGE, WFALL | F656N | | | Pattern 3-4 (2) | 350.0 Secs | | | | |
| | | | | | | Prime + Parallel Group 3-4 | [==>(Pattern 1)] | | [1] | | |
| | | | | | | | [==>(Pattern 2)] | | | | |
| 5 | (17) N3372-TR15 | ACS/WFC, ACCUM, WFC | F658N | CR-SPLIT=NO | POS TARG 0,0 | Pattern 5-6 (2) | 500.0 Secs | | | | |
| | | | | | | Prime + Parallel Group 5-6 | [==>(Pattern 1)] | | [1] | | |
| | | | | | | | [==>(Pattern 2)] | | | | |

Proposal 10475 - Visit 10 - An ACS H-alpha Survey of the Carina Nebula

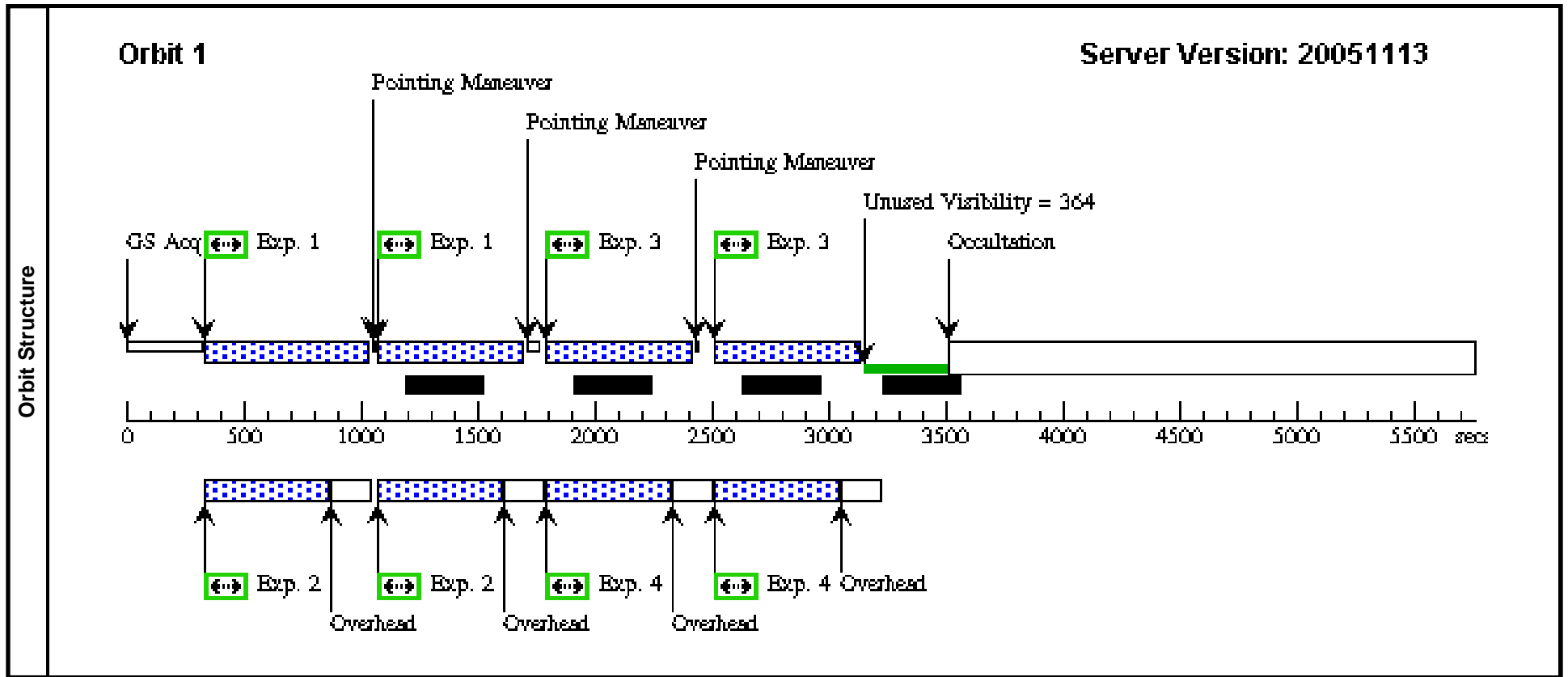
| Exposures (continued) | # | Label | Target | Config, Mode, Aperture | Spectral Els. | Opt. Params. | Special Reqs. | Groups | Exp. Time/[Actual Dur.] | Orbit |
|----------------------------|---|-------|-----------------|------------------------|---------------|--------------|---------------|-----------------|-------------------------|-------|
| | 6 | | (17) N3372-TR15 | WFPC2, IMAGE, WFALL | F656N | | | Pattern 5-6 (2) | 350.0 Secs | |
| Prime + Parallel Group 5-6 | | | | | | | | | [=>(Pattern 1)] | |
| | | | | | | | | | [=>(Pattern 2)] | |
| [1] | | | | | | | | | | |



Proposal 10475 - Visit 11 - An ACS H-alpha Survey of the Carina Nebula

Thu Jan 26 02:03:00 GMT 2006

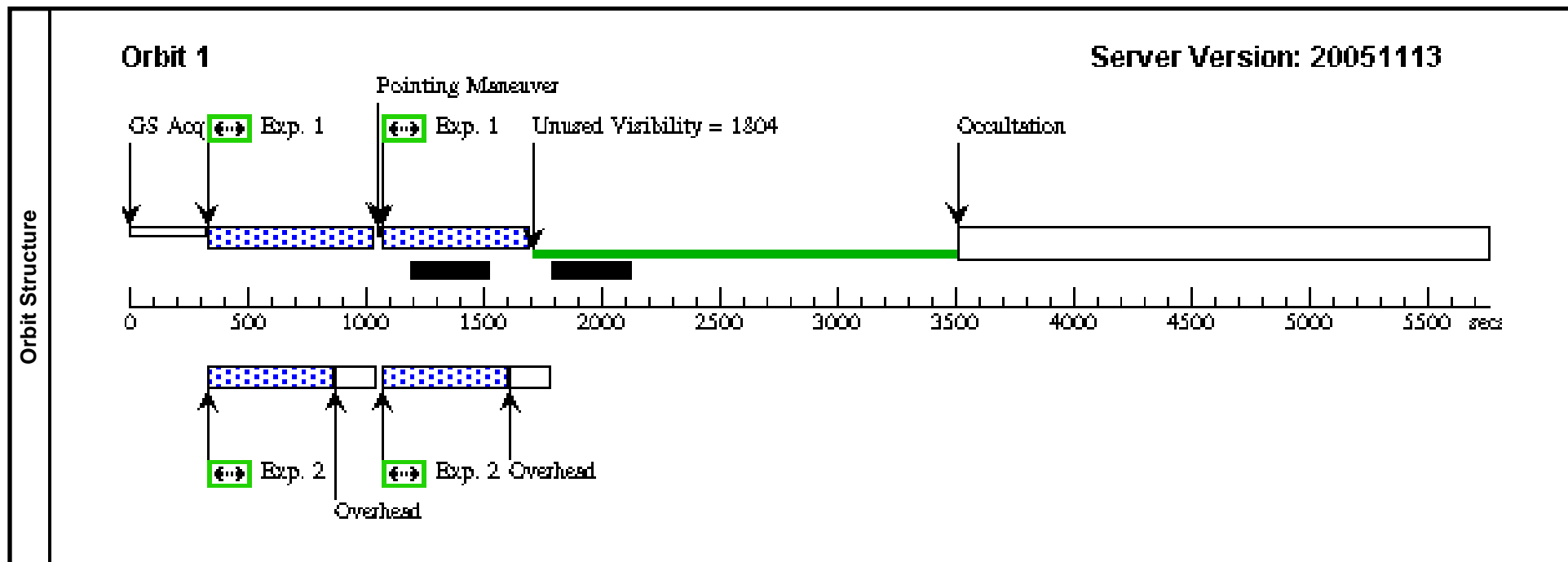
| | | | | | | | | | | | |
|----------------------|---|---|--|-----------------------------|---------------------------------|---|--------------------------|---|--------------------------------|--------------------------------------|--------------|
| Visit | Proposal 10475, Visit 11 Diagnostic Status: Warning Scientific Instruments: ACS/WFC, WFPC2 Special Requirements: ORIENT 8.0D TO 25.0 D | | | | | | | | | | |
| | Diagnostics | (Visit 11) Warning: PATTERN POSITION OUTSIDE APERTURE (Visit 11) Warning: PARALLELS SIGNIFICANTLY EXTEND ALIGNMENT TIME (Visit 11) Warning: PARALLELS SIGNIFICANTLY EXTEND ALIGNMENT TIME | | | | | | | | | |
| Patterns | | # | Primary Pattern | | | | Secondary Pattern | | | Exposures | |
| | (2) | Pattern Type=ACS-WFC-DITHER-LINE Purpose=DITHER Number Of Points=2 Point Spacing=0.146 Line Spacing= | | | | Coordinate Frame=POS-TARG Pattern Orientation=47.2 Angle Between Sides= Center Pattern=false | | | (1-2), (3-4) | | |
| Fixed Targets | # | Name | Target Coordinates | | Targ. Coord. Corrections | | Fluxes | Miscellaneous | | | |
| | (18) | N3324 | RA: 10 37 0.0000 (159.2500000d) Dec: -58 36 30.00 (-58.60833d) Equinox: J2000 Plate Id: (?) | | | | V=10.0 | Coordinate Source: GUIDE_STAR_CATALOG | | | |
| Exposures | # | Label | Target | Config,Mode,Aperture | Spectral Els. | Opt. Params. | Special Reqs. | Groups | Exp. Time/[Actual Dur.] | | Orbit |
| | 1 | | (18) N3324 | ACS/WFC, ACCUM, WFC | F658N | CR-SPLIT=NO | POS TARG 0,193.63 | Pattern 1-2 (2) Prime + Parallel Group 1-2 | 500.0 Secs | [==>(Pattern 1)] [==>(Pattern 2)] | [1] |
| | 2 | | (18) N3324 | WFPC2, IMAGE, WFALL | F656N | | | Pattern 1-2 (2) Prime + Parallel Group 1-2 | 350.0 Secs | [==>(Pattern 1)] [==>(Pattern 2)] | [1] |
| | 3 | | (18) N3324 | ACS/WFC, ACCUM, WFC | F658N | CR-SPLIT=NO | POS TARG 0,96.816 | Pattern 3-4 (2) Prime + Parallel Group 3-4 | 500.0 Secs | [==>(Pattern 1)] [==>(Pattern 2)] | [1] |
| | 4 | | (18) N3324 | WFPC2, IMAGE, WFALL | F656N | | | Pattern 3-4 (2) Prime + Parallel Group 3-4 | 350.0 Secs | [==>(Pattern 1)] [==>(Pattern 2)] | [1] |



Proposal 10475 - Visit 31 - An ACS H-alpha Survey of the Carina Nebula

Thu Jan 26 02:03:00 GMT 2006

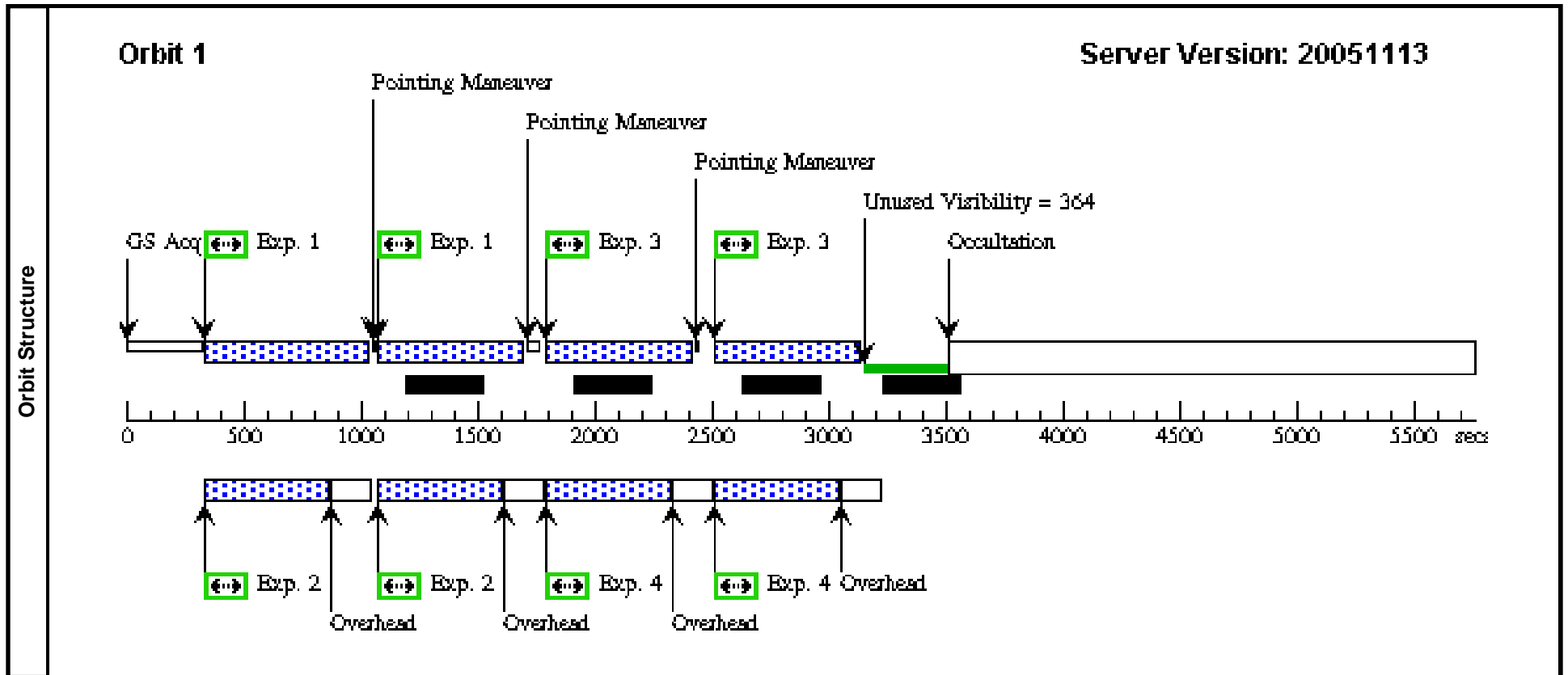
| Visit | | | | | | | | | | |
|--|------|--|---|--------------------------|-------------------|--|---|--|--|-------|
| Proposal 10475, Visit 31 Diagnostic Status: No Diagnostics Scientific Instruments: ACS/WFC, WFPC2 Special Requirements: SAME ORIENT AS 11 | | | | | | | | | | |
| Patterns | # | Primary Pattern | | | Secondary Pattern | | | Exposures | | |
| | (2) | Pattern Type=ACS-WFC-DITHER-LINE Purpose=DITHER Number Of Points=2 Point Spacing=0.146 Line Spacing= | Coordinate Frame=POS-TARG Pattern Orientation=47.2 Angle Between Sides= Center Pattern=false | | | | | (1-2) | | |
| Fixed Targets | # | Name | Target Coordinates | Targ. Coord. Corrections | Fluxes | Miscellaneous | | | | |
| | (18) | N3324 | RA: 10 37 0.0000 (159.2500000d) Dec: -58 36 30.00 (-58.60833d) Equinox: J2000 Plate Id: (?) | | V=10.0 | Coordinate Source: GUIDE_STAR_CATALOG | | | | |
| Exposures | # | Label | Target | Config,Mode,Aperture | Spectral Els. | Opt. Params. | Special Reqs. | Groups | Exp. Time/[Actual Dur.] | Orbit |
| | 1 | | (18) N3324 | ACS/WFC, ACCUM, WFC | F658N | CR-SPLIT=NO | POS TARG 0,0 | Pattern 1-2 (2) Prime + Parallel Group 1-2 | 500.0 Secs [=>(Pattern 1)] [=>(Pattern 2)] | [1] |
| 2 | | (18) N3324 | WFPC2, IMAGE, WFALL | F656N | | | Pattern 1-2 (2) Prime + Parallel Group 1-2 | 350.0 Secs [=>(Pattern 1)] [=>(Pattern 2)] | [1] | |



Proposal 10475 - Visit 12 - An ACS H-alpha Survey of the Carina Nebula

Thu Jan 26 02:03:00 GMT 2006

| | | | | | | | | | | | |
|----------------------|---|--|---|-----------------------------|---------------------------------|---|--------------------------|---|--------------------------------|--------------------------------------|--------------|
| Visit | Proposal 10475, Visit 12 Diagnostic Status: Warning Scientific Instruments: ACS/WFC, WFPC2 Special Requirements: ORIENT 8.0D TO 25.0 D | | | | | | | | | | |
| | Diagnostics | (Visit 12) Warning: PARALLELS SIGNIFICANTLY EXTEND ALIGNMENT TIME (Visit 12) Warning: PARALLELS SIGNIFICANTLY EXTEND ALIGNMENT TIME | | | | | | | | | |
| Patterns | | # | Primary Pattern | | | | Secondary Pattern | | | Exposures | |
| | (2) | Pattern Type=ACS-WFC-DITHER-LINE Purpose=DITHER Number Of Points=2 Point Spacing=0.146 Line Spacing= | | | | Coordinate Frame=POS-TARG Pattern Orientation=47.2 Angle Between Sides= Center Pattern=false | | | (1-2), (3-4) | | |
| Fixed Targets | # | Name | Target Coordinates | | Targ. Coord. Corrections | | Fluxes | Miscellaneous | | | |
| | (19) | N3372-POS19 | RA: 10 42 25.0000 (160.6041667d) Dec: -59 19 10.00 (-59.31944d) Equinox: J2000 Plate Id: (?) | | | | V=10.0 | Coordinate Source: GUIDE_STAR_CATALOG | | | |
| Exposures | # | Label | Target | Config,Mode,Aperture | Spectral Els. | Opt. Params. | Special Reqs. | Groups | Exp. Time/[Actual Dur.] | | Orbit |
| | 1 | | (19) N3372-POS19 | ACS/WFC, ACCUM, WFC | F658N | CR-SPLIT=NO | POS TARG 0,96.816 | Pattern 1-2 (2) Prime + Parallel Group 1-2 | 500.0 Secs | [==>(Pattern 1)] [==>(Pattern 2)] | [1] |
| | 2 | | (19) N3372-POS19 | WFPC2, IMAGE, WFALL | F656N | | | Pattern 1-2 (2) Prime + Parallel Group 1-2 | 350.0 Secs | [==>(Pattern 1)] [==>(Pattern 2)] | [1] |
| | 3 | | (19) N3372-POS19 | ACS/WFC, ACCUM, WFC | F658N | CR-SPLIT=NO | POS TARG 0,0 | Pattern 3-4 (2) Prime + Parallel Group 3-4 | 500.0 Secs | [==>(Pattern 1)] [==>(Pattern 2)] | [1] |
| | 4 | | (19) N3372-POS19 | WFPC2, IMAGE, WFALL | F656N | | | Pattern 3-4 (2) Prime + Parallel Group 3-4 | 350.0 Secs | [==>(Pattern 1)] [==>(Pattern 2)] | [1] |



Proposal 10475 - Visit 32 - An ACS H-alpha Survey of the Carina Nebula

Thu Jan 26 02:03:00 GMT 2006

| | | | | | | | | | | | |
|----------------------|---|--|---|---|---------------------------------|---------------------|--------------------------|--|--------------------------------------|------------------|--------------|
| Visit | Proposal 10475, Visit 32 Diagnostic Status: Warning Scientific Instruments: ACS/WFC, WFPC2 Special Requirements: SAME ORIENT AS 12 | | | | | | | | | | |
| | Diagnostics | (Visit 32) Warning: PATTERN POSITION OUTSIDE APERTURE | | | | | | | | | |
| Patterns | | # | Primary Pattern | | | | Secondary Pattern | | | Exposures | |
| | (2) | Pattern Type=ACS-WFC-DITHER-LINE Purpose=DITHER Number Of Points=2 Point Spacing=0.146 Line Spacing= | | Coordinate Frame=POS-TARG Pattern Orientation=47.2 Angle Between Sides= Center Pattern=false | | | | | (1-2) | | |
| Fixed Targets | # | Name | Target Coordinates | | Targ. Coord. Corrections | | Fluxes | Miscellaneous | | | |
| | (19) | N3372-POS19 | RA: 10 42 25.0000 (160.6041667d) Dec: -59 19 10.00 (-59.31944d) Equinox: J2000 Plate Id: (?) | | | | V=10.0 | Coordinate Source: GUIDE_STAR_CATALOG | | | |
| Exposures | # | Label | Target | Config,Mode,Aperture | Spectral Els. | Opt. Params. | Special Reqs. | Groups | Exp. Time/[Actual Dur.] | | Orbit |
| | 1 | | (19) N3372-POS19 | ACS/WFC, ACCUM, WFC | F658N | CR-SPLIT=NO | POS TARG 180,0 | Pattern 1-2 (2) | 500.0 Secs | | |
| | | | | | | | | Prime + Parallel Group 1-2 | [==>(Pattern 1)] [==>(Pattern 2)] | | [1] |
| 2 | | (19) N3372-POS19 | WFPC2, IMAGE, WFALL | F656N | | | | Pattern 1-2 (2) | 350.0 Secs | | |
| | | | | | | | | Prime + Parallel Group 1-2 | [==>(Pattern 1)] [==>(Pattern 2)] | | [1] |

