



10524 - Blue Stragglers: a key stellar population to probe internal cluster dynamics

Cycle: 14, Proposal Category: GO

(Availability Mode: SUPPORTED)

INVESTIGATORS

<i>Name</i>	<i>Institution</i>	<i>E-Mail</i>
Prof. Francesco R. Ferraro (PI) (ESA Member)	Universita degli Studi di Bologna, Italy	francesco.ferraro3@unibo.it
Dr. Elena Valenti (CoI) (ESA Member)	Universita degli Studi di Bologna, Italy	elena.valenti3@unibo.it
Prof. Robert T. Rood (CoI) (AdminUSPI)	The University of Virginia	rtr@virginia.edu
Dr. Alison Sills (CoI)	McMaster University	asills@mcmail.mcmaster.ca
Prof. Monica Colpi (CoI) (ESA Member)	Universita di Milano Bicocca, Italy	monica.colpi@mib.infn.it
Dr. Michela Mapelli (CoI) (ESA Member)	Scuola Internazionale Superiore di Studi Avanzati	mapelli@sissa.it
Prof. Flavio Fusi Pecci (CoI) (ESA Member)	Osservatorio Astronomico di Bologna	flavio.fusipecci@bo.astro.it
Dr. Andrea Possenti (CoI) (ESA Member)	INAF, Osservatorio Astronomico di Cagliari	Possenti@ca.astro.it
Dr. Gabriele Cocozza (CoI) (ESA Member)	Universita degli Studi di Bologna, Italy	gabrielecocozza@virgilio.it
Dr. Steinn Sigurdsson (CoI)	The Pennsylvania State University	steinn@astro.psu.edu

VISITS

<i>Visit</i>	<i>Targets used in Visit</i>	<i>Configurations used in Visit</i>	<i>Orbits Used</i>	<i>Last Orbit Planner Run</i>	<i>OP Current with Visit?</i>
01	(4) NGC6838 ANY	ACS/WFC WFPC2	1	06-Feb-2007 21:01:10.0	yes
02	(7) NGC362 ANY	ACS/WFC WFPC2	1	06-Feb-2007 21:01:22.0	yes

<i>Visit</i>	<i>Targets used in Visit</i>	<i>Configurations used in Visit</i>	<i>Orbits Used</i>	<i>Last Orbit Planner Run</i>	<i>OP Current with Visit?</i>
03	(3) NGC5466 ANY	ACS/WFC WFPC2	1	06-Feb-2007 21:01:29.0	yes
04	(5) NGC6809 ANY	ACS/WFC WFPC2	1	06-Feb-2007 21:01:41.0	yes
05	(2) NGC2808 ANY	ACS/WFC WFPC2	1	06-Feb-2007 21:01:48.0	yes
06	(2) NGC2808 ANY	ACS/WFC WFPC2	1	06-Feb-2007 21:01:56.0	yes
07	(6) NGC6656 ANY	ACS/WFC WFPC2	1	06-Feb-2007 21:02:01.0	yes
08	(8) NGC6864 ANY	ACS/WFC WFPC2	1	06-Feb-2007 21:02:05.0	yes
09	(8) NGC6864 ANY	ACS/WFC WFPC2	1	06-Feb-2007 21:02:13.0	yes
10	(1) NGC7078 ANY	ACS/WFC WFPC2	1	06-Feb-2007 21:02:17.0	yes
11	(1) NGC7078 ANY	ACS/WFC WFPC2	1	06-Feb-2007 21:02:23.0	yes
54	(5) NGC6809	WFPC2	1	06-Feb-2007 21:02:26.0	yes

12 Total Orbits Used

ABSTRACT

This proposal is part of a coordinated project devoted to understand the interplay of globular cluster (GC) dynamics and the formation and evolution of blue straggler stars (BSS). By using a combination of HST and ground-based observations we are constructing complete BSS surveys in a sample

of GCs; complete BSS surveys require mid-UV HST observations in the center and wide field CCD ground based observations under excellent seeing conditions of the exterior. Up to now only four clusters have been surveyed in this way and the results are surprising: in three GCs (M3, 47 Tuc, NGC 6752) we have discovered that the BSS radial distribution is bimodal, highly peaked in the cluster center, rapidly decreasing at intermediate radii and rising again at large radii (Ferraro et al. 1997, 2004, Sabbi et al. 2004), conversely BSS population in Omega Centauri does not show any signature of the segregation which would be expected for a class of objects arising from either stellar interactions or binarity (Ferraro et al. 2005). These observational facts are opening a new perspective in the study of the formation processes and evolution of BSS in GCs. By using extensive simulations, we demonstrated that the spatial distribution of BSS observed in 47 Tuc can be only reproduced if a sizable fraction of BSS is generated (via mass transfer in primordial binaries) in the peripheral region of the cluster (Mapelli et al 2004), thus excluding a purely collisional formation scenario.

Here we propose mid-UV imaging of a few clusters suspected of harboring a large population of central BSS and a few known to have many BSS the external region. These are good candidates for determining accurate BSS radial distributions. The modest amount of time proposed here will go far to determine the ubiquity of BSS bimodality and to constrain models of dynamical evolution. Since we believe the proposed observations would be useful to the entire stellar community (for multifold purposes) we waive the proprietary period.

OBSERVING DESCRIPTION

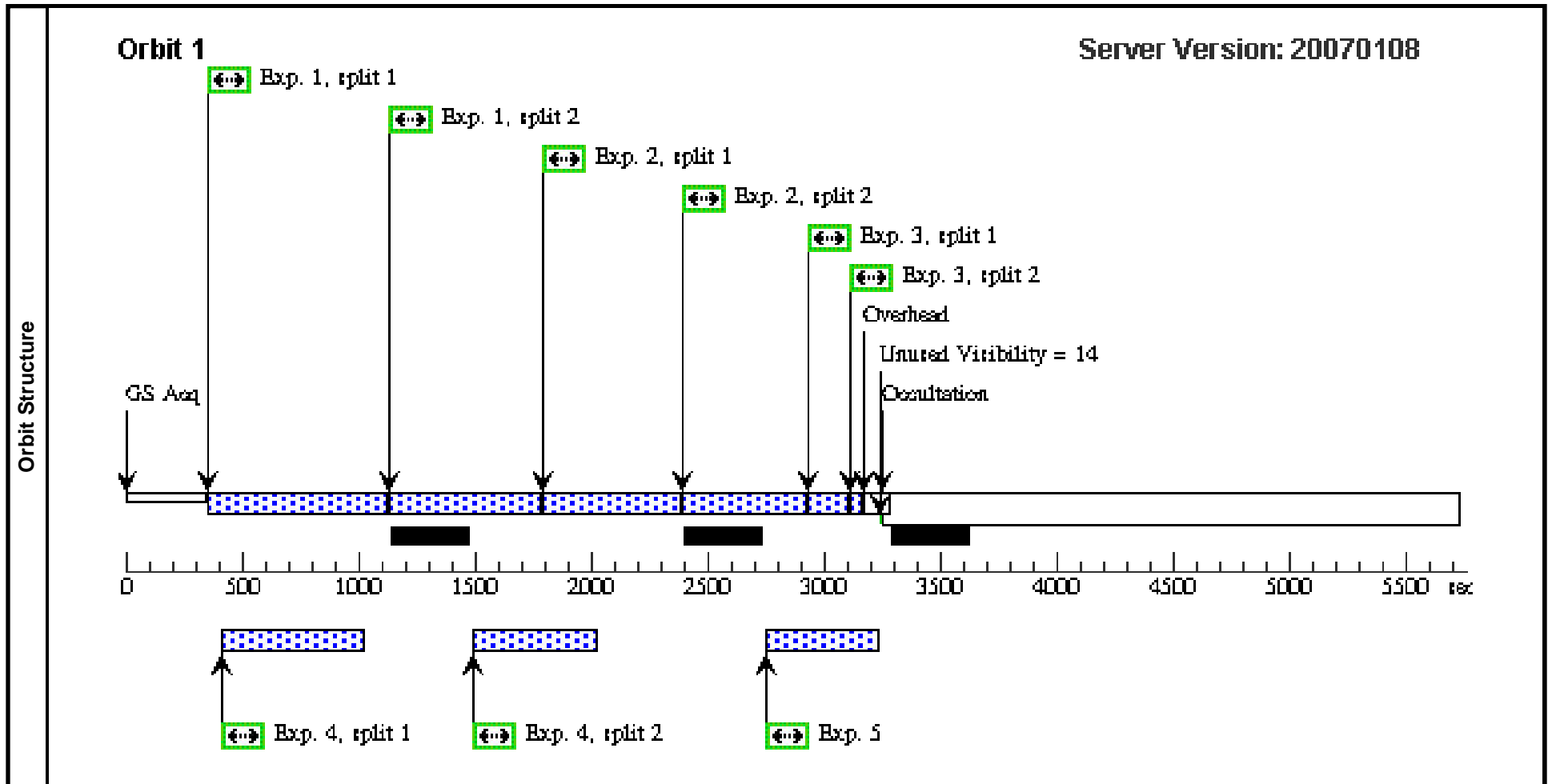
This is a simple photometric proposal mainly aimed to perform F336W(U) and F255W(UV) observations in the core of 8 Galactic globular clusters in order to search for Blue Stragglers Stars, by using the WFPC2. Accordingly with the approved PCR 1026, 11 orbits have been allocated to this project.

Observations are organized in 11 visits (1 orbit per visit) and are planned as follows: NGC 6838 (1 orbit - visit 1); NGC 362 (1 orbit - visit 2); NGC5466 (1 orbit - visit 3); NGC6809 (1 orbit - visit 4); NGC2808 (2 orbits - visits 5 & 6); NGC6656 (1 orbit - visit 7); NGC6864(2 orbits - visits 8 & 9); NGC7078 (2 orbits - visits 10 & 11). Special timing requests have been inserted for the three clusters in which the observations are organized in two orbits, in order to have the two visits executed consecutively: thus visit 6 will be executed after visit 5, visit 9 after visit 8 and visit 11 after visit 10. In all the programme clusters, we also planned parallel ACS/WF observations of the external cluster regions (in B and V filters).

Proposal 10524 - Visit 01 - Blue Stragglers: a key stellar population to probe internal cluster dynamics

Wed Feb 07 02:02:28 GMT 2007

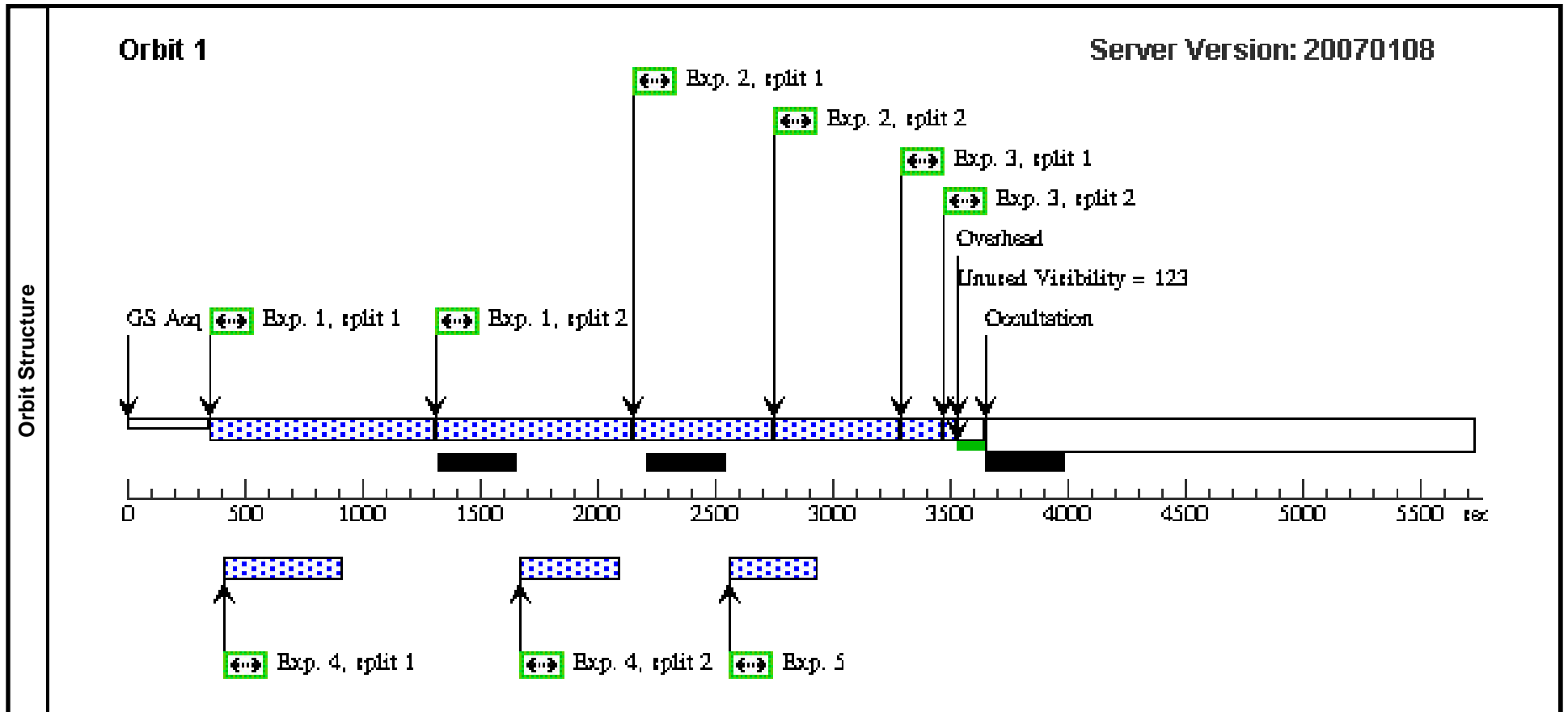
Visit	Proposal 10524, Visit 01, completed Diagnostic Status: No Diagnostics Scientific Instruments: ACS/WFC, WFPC2 Special Requirements: (none)									
	Fixed Targets	#	Name	Target Coordinates	Targ. Coord. Corrections	Fluxes	Miscellaneous			
	(4)	NGC6838	RA: 19 53 46.1000 (298.4420833d) Dec: +18 46 42.00 (18.77833d) Equinox: J2000		V=20.0+/-0.2	Coordinate Source: NED				
	<i>Comments: This object was generated by the targetselector and retrieved from the NED database.</i>									
Exposures	#	Label	Target	Config,Mode,Aperture	Spectral Els.	Opt. Params.	Special Reqs.	Groups	Exp. Time/[Actual Dur.]	Orbit
	1	N6838_1	(4) NGC6838	WFPC2, IMAGE, PC1-FIX	F255W	CR-SPLIT=0.5; CR-TOLERANCE=0.0; ATD-GAIN=7		Prime + Parallel Group 1-5	1000.0 Secs [=>500.0 Secs (Split 1)] [=>500.0 Secs (Split 2)]	[1]
	2	N6838_2	(4) NGC6838	WFPC2, IMAGE, PC1-FIX	F336W	CR-SPLIT=0.5; CR-TOLERANCE=0.0		Prime + Parallel Group 1-5	800.0 Secs [=>400.0 Secs (Split 1)] [=>400.0 Secs (Split 2)]	[1]
	3	N6838_3	(4) NGC6838	WFPC2, IMAGE, PC1-FIX	F555W	CR-SPLIT=0.5; CR-TOLERANCE=0.0		Prime + Parallel Group 1-5	60.0 Secs [=>40.0 Secs (Split 1)] [=>40.0 Secs (Split 2)]	[1]
	4	N6838_ACS ANY _par1		ACS/WFC, ACCUM, WFC	F435W	CR-SPLIT=2		Prime + Parallel Group 1-5	600.0 Secs [=>408.0 Secs (Split 1)] [=>408.0 Secs (Split 2)]	[1]
	5	N6838_ACS ANY _par2		ACS/WFC, ACCUM, WFC	F555W	CR-SPLIT=NO		Prime + Parallel Group 1-5	200.0 Secs [=>308.0 Secs]	[1]



Proposal 10524 - Visit 02 - Blue Stragglers: a key stellar population to probe internal cluster dynamics

Wed Feb 07 02:02:29 GMT 2007

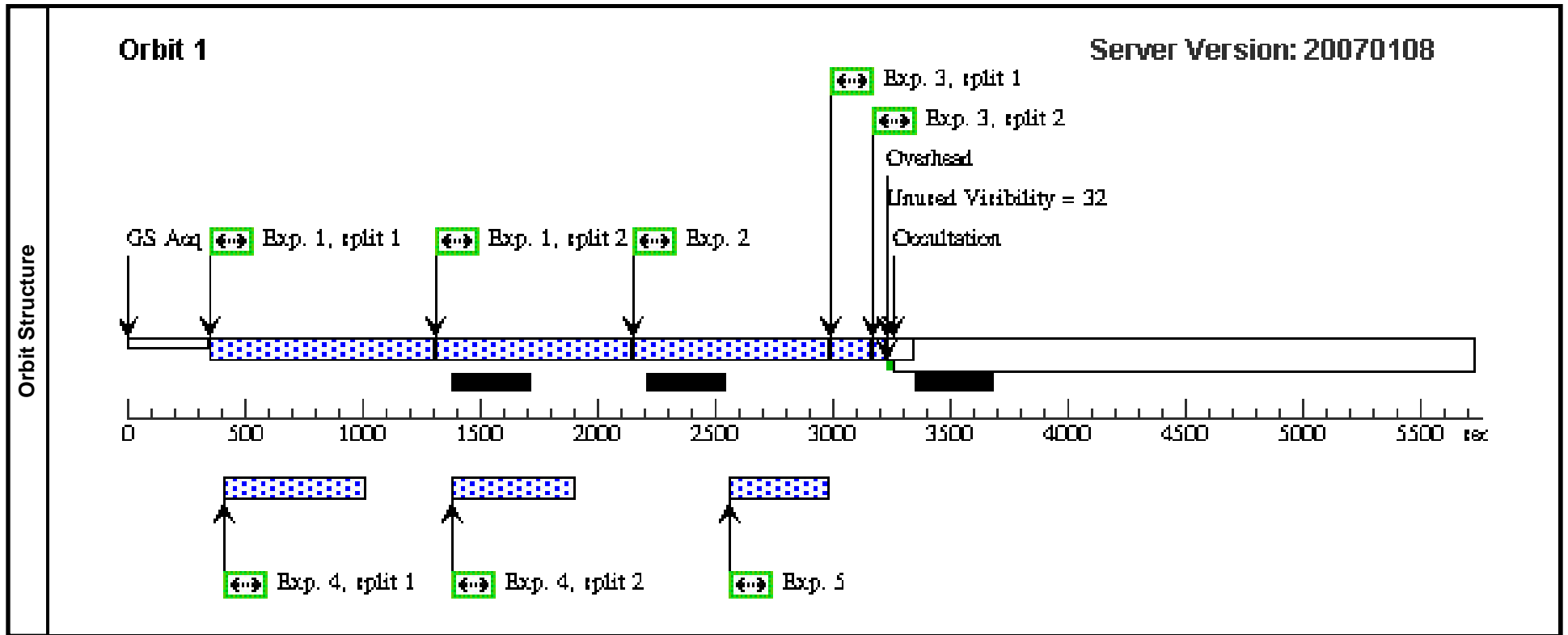
Visit	Proposal 10524, Visit 02, completed Diagnostic Status: No Diagnostics Scientific Instruments: ACS/WFC, WFPC2 Special Requirements: (none)									
	Fixed Targets	#	Name	Target Coordinates	Targ. Coord. Corrections	Fluxes	Miscellaneous			
	(7)	NGC362	RA: 01 03 14.3000 (15.8095833d) Dec: -70 50 54.00 (-70.84833d) Equinox: J2000 Plate Id: (?)			V=20.0+/-2.0	Coordinate Source: GUIDE_STAR_CATALOG			
Exposures	#	Label	Target	Config,Mode,Aperture	Spectral Els.	Opt. Params.	Special Reqs.	Groups	Exp. Time/[Actual Dur.]	Orbit
	1	N362_1	(7) NGC362	WFPC2, IMAGE, PC1-FIX	F255W	CR-SPLIT=0.5; CR-TOLERANCE=0.0; ATD-GAIN=7		Prime + Parallel Group 1-5	1400.0 Secs [==>(Split 1)] [==>(Split 2)]	[1]
	2	N362_2	(7) NGC362	WFPC2, IMAGE, PC1-FIX	F336W	CR-SPLIT=0.5; CR-TOLERANCE=0.0		Prime + Parallel Group 1-5	800.0 Secs [==>(Split 1)] [==>(Split 2)]	[1]
	3	N362_3	(7) NGC362	WFPC2, IMAGE, PC1-FIX	F555W	CR-SPLIT=0.5; CR-TOLERANCE=0.0		Prime + Parallel Group 1-5	80.0 Secs [==>(Split 1)] [==>(Split 2)]	[1]
	4	N362_ACS_ ANY par1		ACS/WFC, ACCUM, WFC	F435W	CR-SPLIT=2		Prime + Parallel Group 1-5	600.0 Secs [==>(Split 1)] [==>(Split 2)]	[1]
	5	N362_ACS_ ANY par2		ACS/WFC, ACCUM, WFC	F555W	CR-SPLIT=NO		Prime + Parallel Group 1-5	200.0 Secs [==>]	[1]



Proposal 10524 - Visit 03 - Blue Stragglers: a key stellar population to probe internal cluster dynamics

Wed Feb 07 02:02:30 GMT 2007

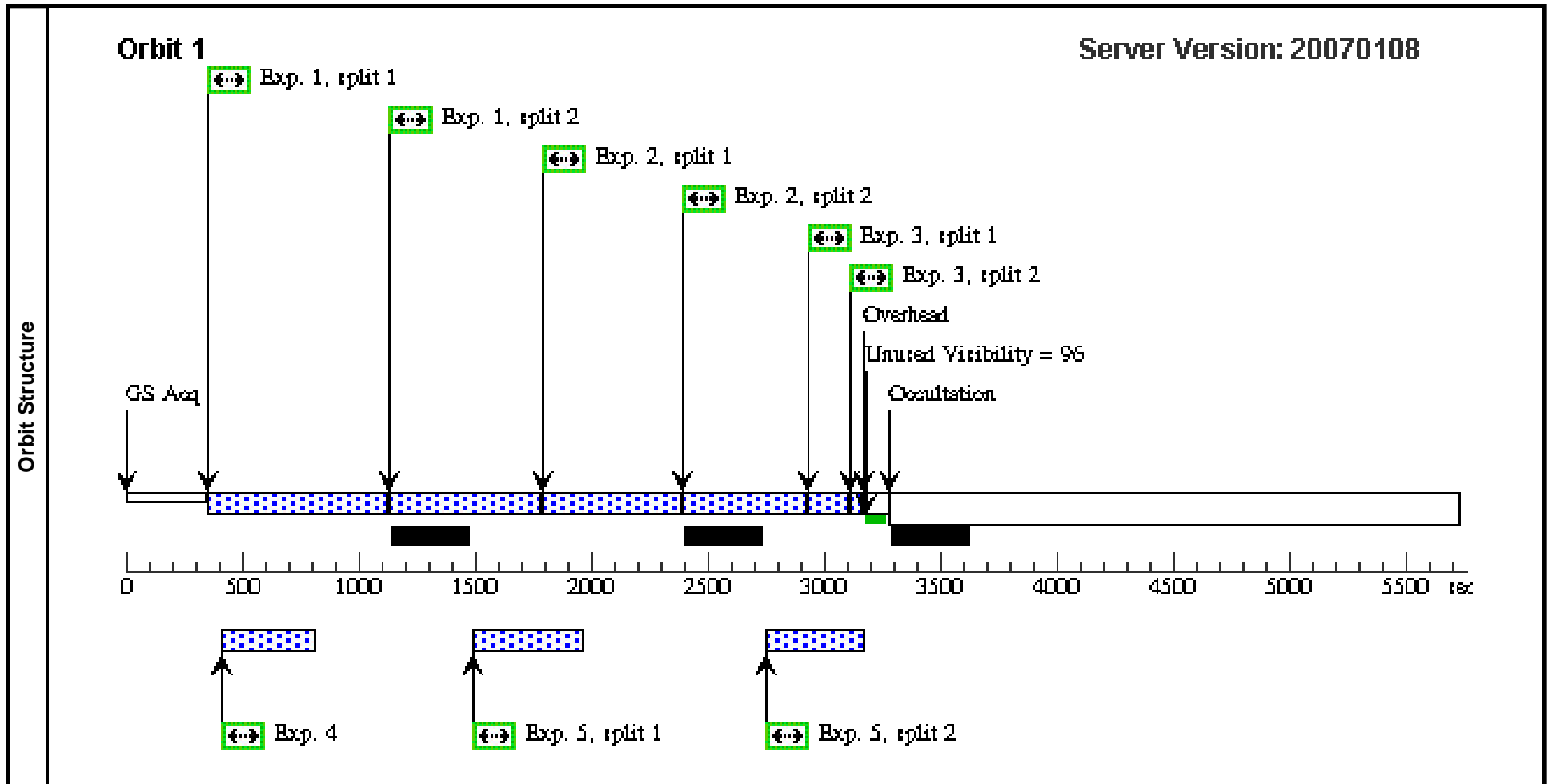
Visit	Proposal 10524, Visit 03, completed Diagnostic Status: No Diagnostics Scientific Instruments: ACS/WFC, WFPC2 Special Requirements: (none)									
	Fixed Targets	#	Name	Target Coordinates	Targ. Coord. Corrections	Fluxes	Miscellaneous			
	(3)	NGC5466	RA: 14 05 27.3000 (211.3637500d) Dec: +28 32 4.00 (28.53444d) Equinox: J2000		V=20.0+/-0.2	Coordinate Source: NED				
	<i>Comments: This object was generated by the targetselector and retrieved from the NED database.</i>									
Exposures	#	Label	Target	Config,Mode,Aperture	Spectral Els.	Opt. Params.	Special Reqs.	Groups	Exp. Time/[Actual Dur.]	Orbit
	1	N5466_1	(3) NGC5466	WFPC2, IMAGE, PC1-FIX	F255W	CR-SPLIT=0.5; CR-TOLERANCE=0.0; ATD-GAIN=7	POS TARG 0,0	Prime + Parallel Group 1-5	1400.0 Secs [==>(Split 1)] [==>(Split 2)]	[1]
	2	N5466_2	(3) NGC5466	WFPC2, IMAGE, PC1-FIX	F336W	CR-SPLIT=NO; CR-TOLERANCE=0.0	POS TARG 0,0	Prime + Parallel Group 1-5	600.0 Secs [==>]	[1]
	3	N5466_3	(3) NGC5466	WFPC2, IMAGE, PC1-FIX	F555W	CR-SPLIT=0.5; CR-TOLERANCE=0.0		Prime + Parallel Group 1-5	80.0 Secs [==>(Split 1)] [==>(Split 2)]	[1]
	4	N5466_ACS_ANY_par1		ACS/WFC, ACCUM, WFC	F435W	CR-SPLIT=2		Prime + Parallel Group 1-5	800.0 Secs [==>(Split 1)] [==>(Split 2)]	[1]
	5	N5466_ACS_ANY_par1		ACS/WFC, ACCUM, WFC	F555W	CR-SPLIT=NO		Prime + Parallel Group 1-5	250.0 Secs [==>]	[1]



Proposal 10524 - Visit 04 - Blue Stragglers: a key stellar population to probe internal cluster dynamics

Wed Feb 07 02:02:31 GMT 2007

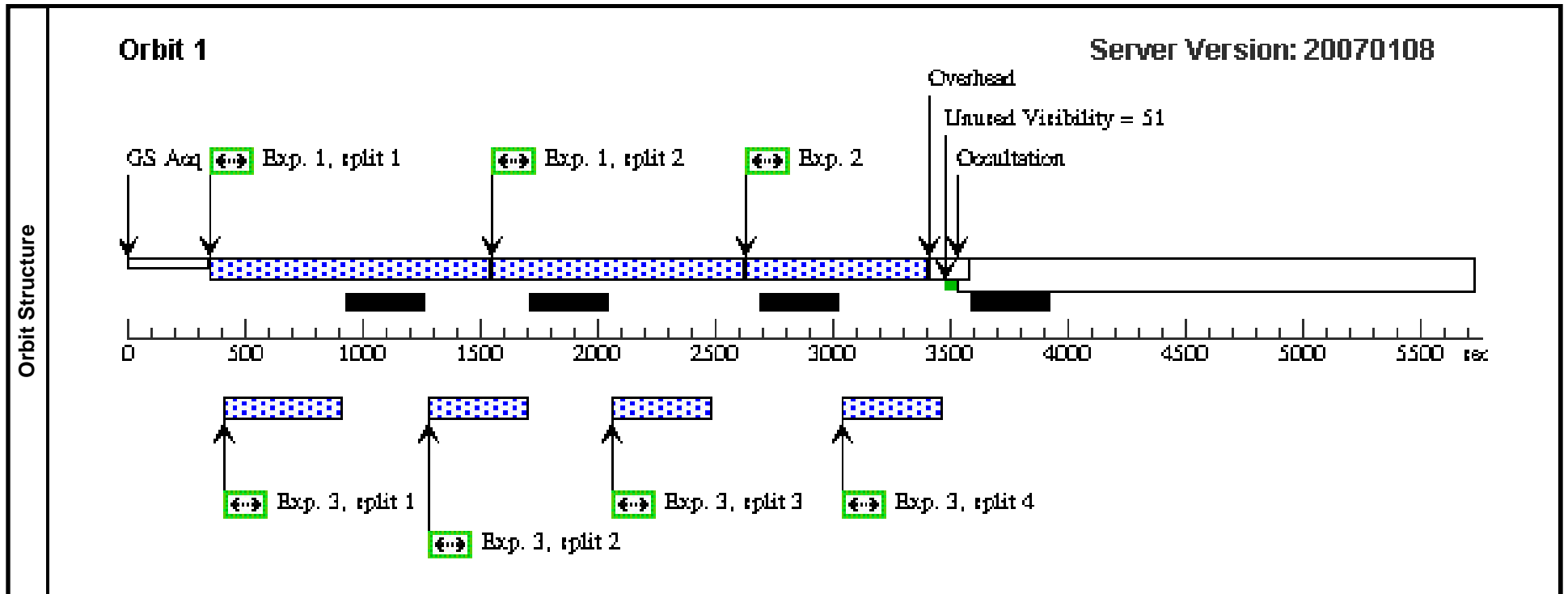
Visit	Proposal 10524, Visit 04, failed Diagnostic Status: No Diagnostics Scientific Instruments: ACS/WFC, WFPC2 Special Requirements: (none)									
	Fixed Targets	#	Name	Target Coordinates	Targ. Coord. Corrections	Fluxes	Miscellaneous			
	(5)	NGC6809	RA: 19 39 59.4000 (294.9975000d) Dec: -30 57 43.00 (-30.96194d) Equinox: J2000		V=20.0+/-0.2	Coordinate Source: NED				
	<i>Comments: This object was generated by the targetselector and retrieved from the NED database.</i>									
Exposures	#	Label	Target	Config,Mode,Aperture	Spectral Els.	Opt. Params.	Special Reqs.	Groups	Exp. Time/[Actual Dur.]	Orbit
	1	N6809_1	(5) NGC6809	WFPC2, IMAGE, PC1-FIX	F255W	CR-SPLIT=DEF; CR-TOLERANCE=0.0; ATD-GAIN=7		Prime + Parallel Group 1-5	1000.0 Secs [==>(Split 1)] [==>(Split 2)]	[1]
	2	N6809_2	(5) NGC6809	WFPC2, IMAGE, PC1-FIX	F336W	CR-SPLIT=0.5; CR-TOLERANCE=0.0		Prime + Parallel Group 1-5	800.0 Secs [==>(Split 1)] [==>(Split 2)]	[1]
	3	N6809_3	(5) NGC6809	WFPC2, IMAGE, PC1-FIX	F555W	CR-SPLIT=0.5; CR-TOLERANCE=0.0		Prime + Parallel Group 1-5	80.0 Secs [==>(Split 1)] [==>(Split 2)]	[1]
	4	N6809_ACS_par1	ANY	ACS/WFC, ACCUM, WFC	F555W	CR-SPLIT=NO		Prime + Parallel Group 1-5	200.0 Secs [==>]	[1]
	5	N6809_ACS_par2	ANY	ACS/WFC, ACCUM, WFC	F435W	CR-SPLIT=2		Prime + Parallel Group 1-5	600.0 Secs [==>(Split 1)] [==>(Split 2)]	[1]



Proposal 10524 - Visit 05 - Blue Stragglers: a key stellar population to probe internal cluster dynamics

Wed Feb 07 02:02:31 GMT 2007

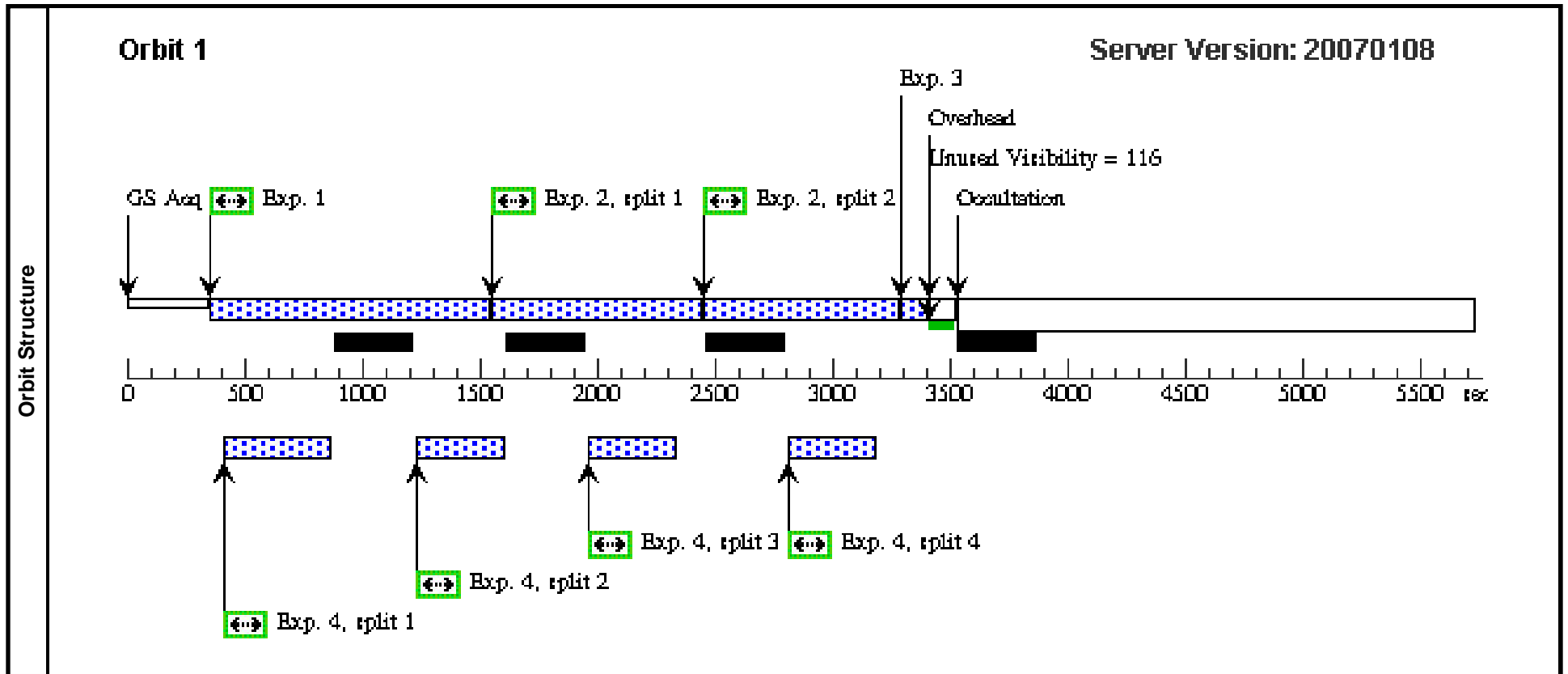
Visit	Proposal 10524, Visit 05, completed Diagnostic Status: No Diagnostics Scientific Instruments: ACS/WFC, WFPC2 Special Requirements: (none)									
	Fixed Targets	#	Name	Target Coordinates	Targ. Coord. Corrections	Fluxes	Miscellaneous			
	(2)	NGC2808	RA: 09 12 2.5000 (138.0104167d) Dec: -64 51 46.00 (-64.86278d) Equinox: J2000		V=20.0+/-0.1	Coordinate Source: NED				
	<i>Comments: This object was generated by the targetselector and retrieved from the NED database.</i>									
Exposures	#	Label	Target	Config,Mode,Aperture	Spectral Els.	Opt. Params.	Special Reqs.	Groups	Exp. Time/[Actual Dur.]	Orbit
	1	N2808_1	(2) NGC2808	WFPC2, IMAGE, PC1-FIX	F255W	CR-SPLIT=0.5; CR-TOLERANCE=0.0; ATD-GAIN=7	POS TARG 0,0	Prime + Parallel Group 1-3	1800.0 Secs [==>(Split 1)] [==>(Split 2)]	[1]
	2	N2808_2	(2) NGC2808	WFPC2, IMAGE, PC1-FIX	F336W	CR-SPLIT=NO; CR-TOLERANCE=0.0		Prime + Parallel Group 1-3	700.0 Secs [==>]	[1]
	3	N2808_ACS_ANY_par1	ANY	ACS/WFC, ACCUM, WFC	F435W	CR-SPLIT=4		Prime + Parallel Group 1-3	1200.0 Secs [==>(Split 1)] [==>(Split 2)] [==>(Split 3)] [==>(Split 4)]	[1]



Proposal 10524 - Visit 06 - Blue Stragglers: a key stellar population to probe internal cluster dynamics

Wed Feb 07 02:02:32 GMT 2007

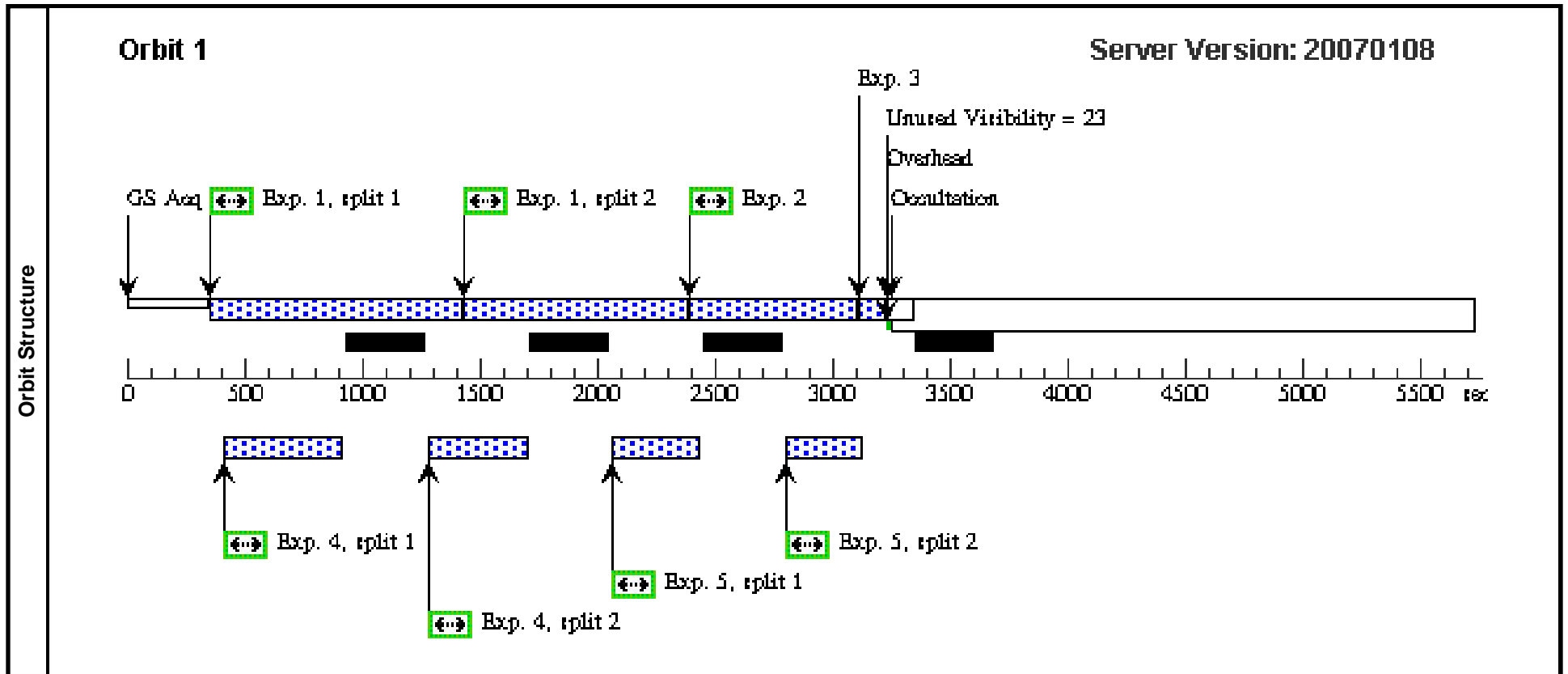
Visit	Proposal 10524, Visit 06, completed Diagnostic Status: No Diagnostics Scientific Instruments: ACS/WFC, WFPC2 Special Requirements: AFTER 05 BY 0.8 Orbits TO 1.2 Orbits									
	Fixed Targets	#	Name	Target Coordinates	Targ. Coord. Corrections	Fluxes	Miscellaneous			
	(2)	NGC2808	RA: 09 12 2.5000 (138.0104167d) Dec: -64 51 46.00 (-64.86278d) Equinox: J2000		V=20.0+/-0.1	Coordinate Source: NED				
	<i>Comments: This object was generated by the targetselector and retrieved from the NED database.</i>									
Exposures	#	Label	Target	Config,Mode,Aperture	Spectral Els.	Opt. Params.	Special Reqs.	Groups	Exp. Time/[Actual Dur.]	Orbit
	1	N2808_3	(2) NGC2808	WFPC2, IMAGE, PC1-FIX	F255W	CR-SPLIT=NO; CR-TOLERANCE=0.0; ATD-GAIN=7	POS TARG 0,0	Prime + Parallel Group 1-4	900.0 Secs [==>]	[1]
	2	N2808_4	(2) NGC2808	WFPC2, IMAGE, PC1-FIX	F336W	CR-SPLIT=0.5; CR-TOLERANCE=0.0		Prime + Parallel Group 1-4	1400.0 Secs [==>(Split 1)] [==>(Split 2)]	[1]
	3	N2808_5	(2) NGC2808	WFPC2, IMAGE, PC1-FIX	F555W	CR-SPLIT=NO		Prime + Parallel Group 1-4	40.0 Secs [==>]	[1]
	4	N2808_ACS_ANY_par2	ANY	ACS/WFC, ACCUM, WFC	F555W	CR-SPLIT=4		Prime + Parallel Group 1-4	1000.0 Secs [==>(Split 1)] [==>(Split 2)] [==>(Split 3)] [==>(Split 4)]	[1]



Proposal 10524 - Visit 07 - Blue Stragglers: a key stellar population to probe internal cluster dynamics

Wed Feb 07 02:02:32 GMT 2007

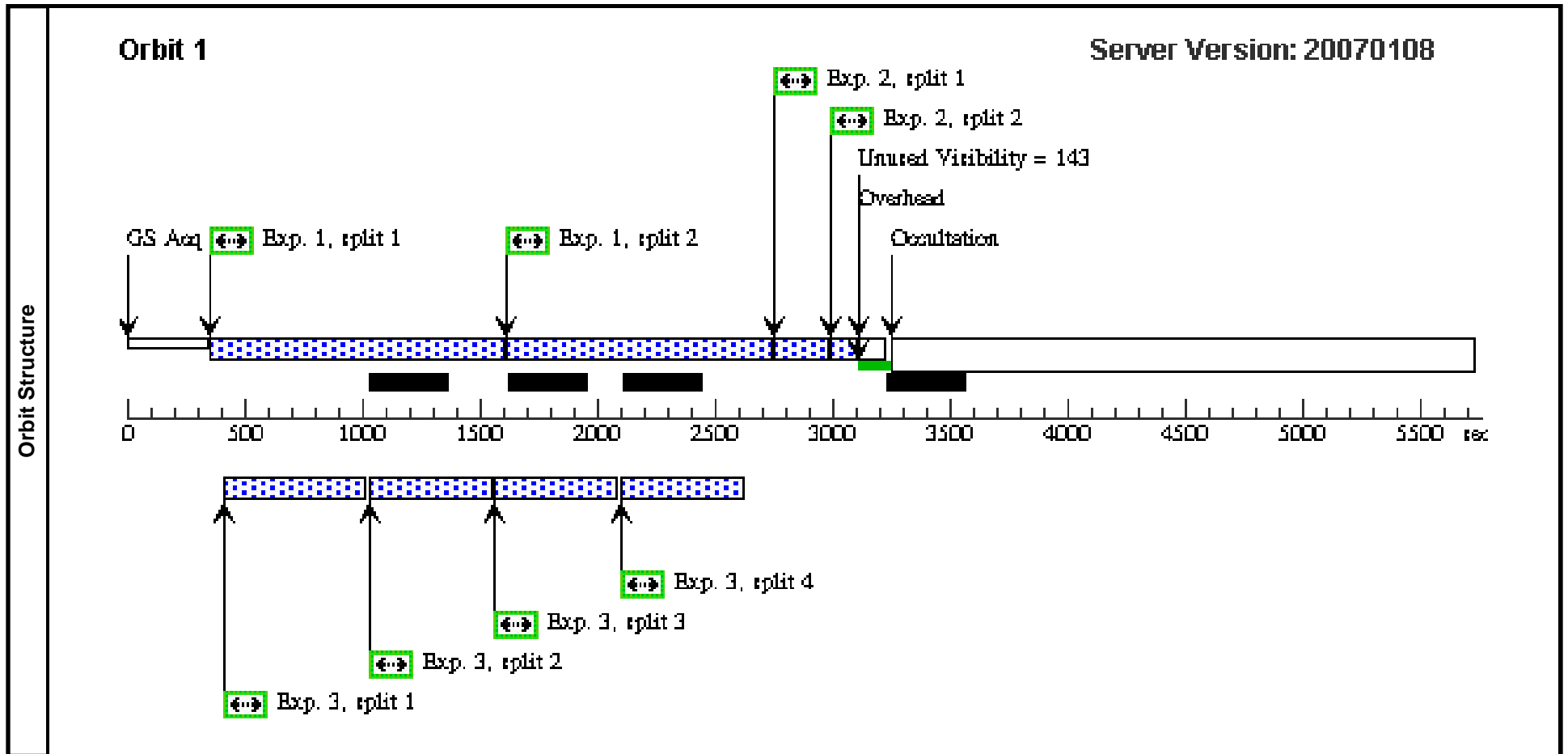
Visit	Proposal 10524, Visit 07, completed Diagnostic Status: No Diagnostics Scientific Instruments: ACS/WFC, WFPC2 Special Requirements: (none)									
	Fixed Targets	#	Name	Target Coordinates	Targ. Coord. Corrections	Fluxes	Miscellaneous			
	(6)	NGC6656	RA: 18 36 24.2000 (279.1008333d) Dec: -23 54 12.00 (-23.90333d) Equinox: J2000		V=20.0+/-0.2	Coordinate Source: NED				
	<i>Comments: This object was generated by the targetselector and retrieved from the NED database.</i>									
Exposures	#	Label	Target	Config,Mode,Aperture	Spectral Els.	Opt. Params.	Special Reqs.	Groups	Exp. Time/[Actual Dur.]	Orbit
	1	N6656_1	(6) NGC6656	WFPC2, IMAGE, PC1-FIX	F255W	CR-SPLIT=DEF; CR-TOLERANCE=0.0; ATD-GAIN=7		Prime + Parallel Group 1-5	1600.0 Secs [==>(Split 1)] [==>(Split 2)]	[1]
	2	N6656_2	(6) NGC6656	WFPC2, IMAGE, PC1-FIX	F336W	CR-SPLIT=NO; CR-TOLERANCE=0.0		Prime + Parallel Group 1-5	500.0 Secs [==>]	[1]
	3	N6656_3	(6) NGC6656	WFPC2, IMAGE, PC1-FIX	F555W			Prime + Parallel Group 1-5	30.0 Secs [==>]	[1]
	4	N6656_ACS_ANY_par1	ANY	ACS/WFC, ACCUM, WFC	F435W	CR-SPLIT=2		Prime + Parallel Group 1-5	600.0 Secs [==>(Split 1)] [==>(Split 2)]	[1]
	5	N6656_ACS_ANY_par2	ANY	ACS/WFC, ACCUM, WFC	F555W	CR-SPLIT=2		Prime + Parallel Group 1-5	400.0 Secs [==>(Split 1)] [==>(Split 2)]	[1]



Proposal 10524 - Visit 08 - Blue Stragglers: a key stellar population to probe internal cluster dynamics

Wed Feb 07 02:02:33 GMT 2007

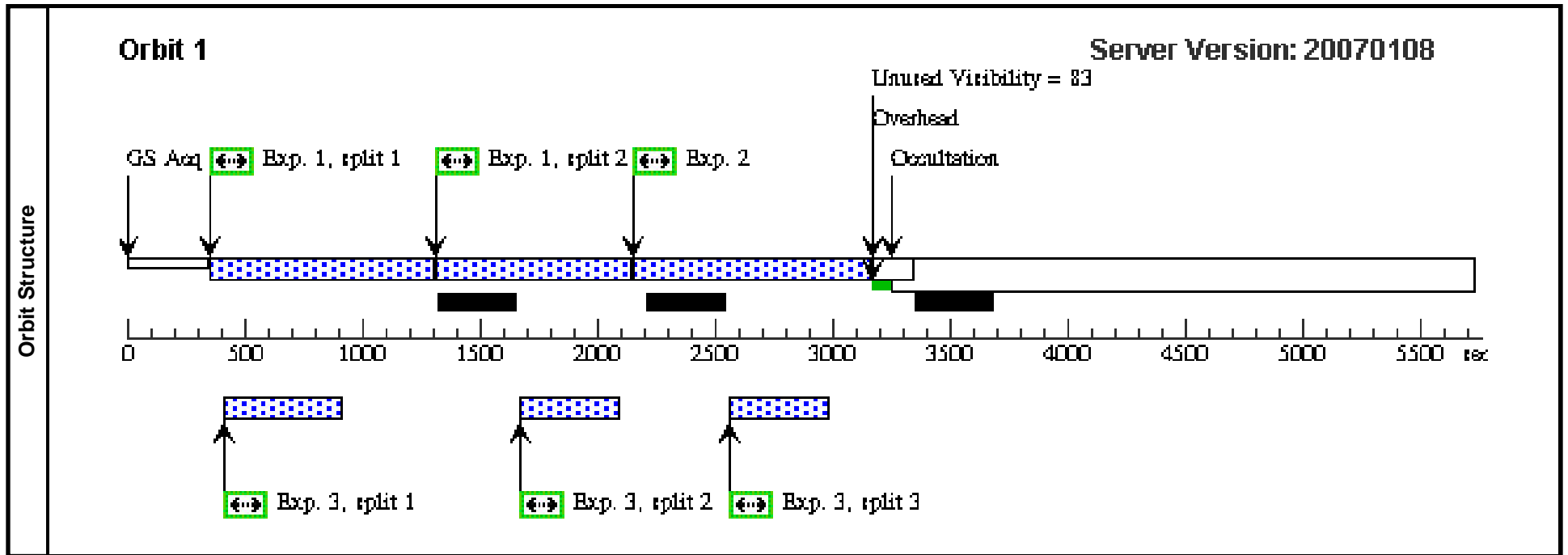
Visit	Proposal 10524, Visit 08, completed Diagnostic Status: No Diagnostics Scientific Instruments: ACS/WFC, WFPC2 Special Requirements: (none)									
	Fixed Targets	#	Name	Target Coordinates	Targ. Coord. Corrections	Fluxes	Miscellaneous			
	(8)	NGC6864	RA: 20 06 4.8000 (301.5200000d) Dec: -21 55 17.00 (-21.92139d) Equinox: J2000 Plate Id: (?)			V=21.0+/-1.0	Coordinate Source: GUIDE_STAR_CATALOG			
Exposures	#	Label	Target	Config,Mode,Aperture	Spectral Els.	Opt. Params.	Special Reqs.	Groups	Exp. Time/[Actual Dur.]	Orbit
	1	N6864_1	(8) NGC6864	WFPC2, IMAGE, PC1-FIX	F255W	CR-SPLIT=DEF; CR-TOLERANCE=0.0; ATD-GAIN=7		Prime + Parallel Group 1-3	2000.0 Secs [==>(Split 1)] [==>(Split 2)]	[1]
	2	N6864_2	(8) NGC6864	WFPC2, IMAGE, PC1-FIX	F555W	CR-SPLIT=0.5; CR-TOLERANCE=0.0		Prime + Parallel Group 1-3	100.0 Secs [==>(Split 1)] [==>(Split 2)]	[1]
	3	N6864_ACS ANY _par1	ANY	ACS/WFC, ACCUM, WFC	F435W	CR-SPLIT=4		Prime + Parallel Group 1-3	1600.0 Secs [==>(Split 1)] [==>(Split 2)] [==>(Split 3)] [==>(Split 4)]	[1]



Proposal 10524 - Visit 09 - Blue Stragglers: a key stellar population to probe internal cluster dynamics

Wed Feb 07 02:02:33 GMT 2007

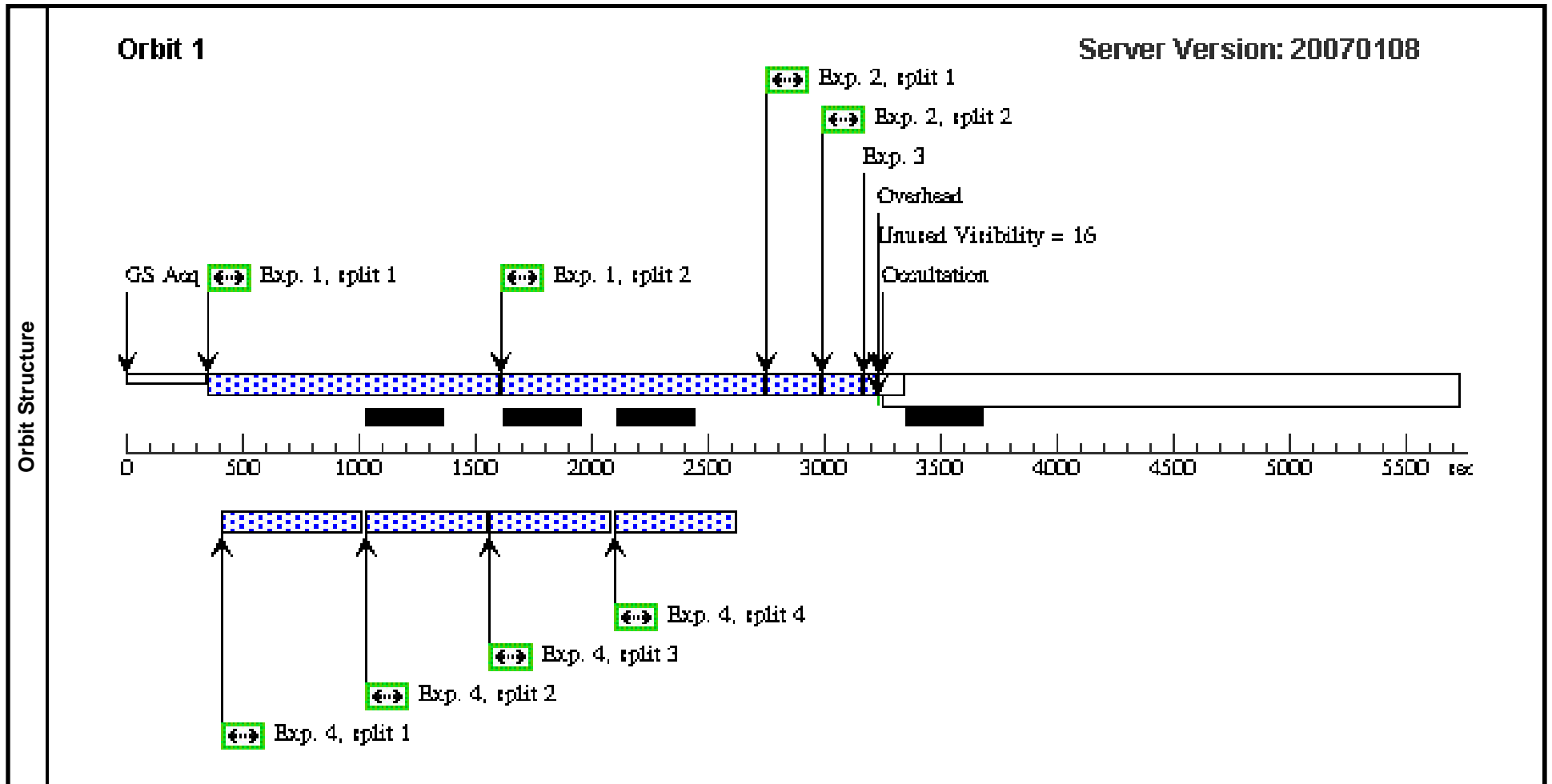
Visit	Proposal 10524, Visit 09, completed Diagnostic Status: No Diagnostics Scientific Instruments: ACS/WFC, WFPC2 Special Requirements: AFTER 08 BY 0.8 Orbits TO 1.2 Orbits									
	Fixed Targets	#	Name	Target Coordinates	Targ. Coord. Corrections	Fluxes	Miscellaneous			
	(8)	NGC6864	RA: 20 06 4.8000 (301.5200000d) Dec: -21 55 17.00 (-21.92139d) Equinox: J2000 Plate Id: (?)			V=21.0+/-1.0	Coordinate Source: GUIDE_STAR_CATALOG			
Exposures	#	Label	Target	Config,Mode,Aperture	Spectral Els.	Opt. Params.	Special Reqs.	Groups	Exp. Time/[Actual Dur.]	Orbit
	1	N6864_3	(8) NGC6864	WFPC2, IMAGE, PC1-FIX	F336W	CR-SPLIT=0.5; CR-TOLERANCE=0.0		Prime + Parallel Group 1-3	1400.0 Secs [=>(Split 1)] [=>(Split 2)]	[1]
	2	N6864_4	(8) NGC6864	WFPC2, IMAGE, PC1-FIX	F255W	CR-SPLIT=NO; ATD-GAIN=7		Prime + Parallel Group 1-3	900.0 Secs [=>]	[1]
	3	N6864_ACS ANY _par1	ANY	ACS/WFC, ACCUM, WFC	F555W	CR-SPLIT=3		Prime + Parallel Group 1-3	900.0 Secs [=>(Split 1)] [=>(Split 2)] [=>(Split 3)]	[1]



Proposal 10524 - Visit 10 - Blue Stragglers: a key stellar population to probe internal cluster dynamics

Wed Feb 07 02:02:33 GMT 2007

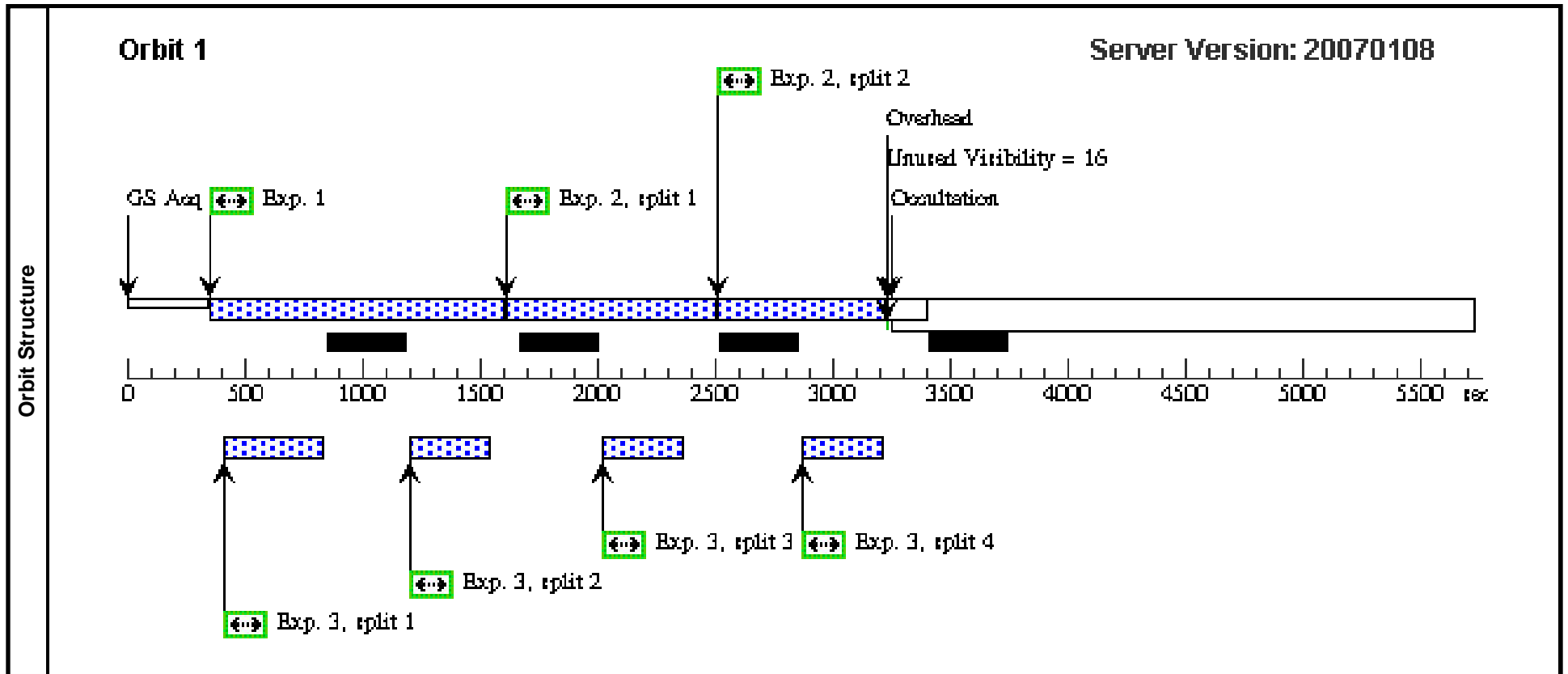
Visit	Proposal 10524, Visit 10, completed Diagnostic Status: No Diagnostics Scientific Instruments: ACS/WFC, WFPC2 Special Requirements: (none)									
	Fixed Targets	#	Name	Target Coordinates	Targ. Coord. Corrections	Fluxes	Miscellaneous			
	(1)	NGC7078	RA: 21 29 58.4000 (322.4933333d) Dec: +12 10 1.00 (12.16694d) Equinox: J2000		V=20.0+/-0.1	Coordinate Source: NED				
	<i>Comments: This object was generated by the targetselector and retrieved from the NED database.</i>									
Exposures	#	Label	Target	Config,Mode,Aperture	Spectral Els.	Opt. Params.	Special Reqs.	Groups	Exp. Time/[Actual Dur.]	Orbit
	1	N7078_1	(1) NGC7078	WFPC2, IMAGE, PC1-FIX	F255W	CR-SPLIT=0.5; CR-TOLERANCE=0.0; ATD-GAIN=7	POS TARG 0,0	Prime + Parallel Group 1-4	2000.0 Secs [==>(Split 1)] [==>(Split 2)]	[1]
	2	N7078_2	(1) NGC7078	WFPC2, IMAGE, PC1-FIX	F555W	CR-SPLIT=0.5; CR-TOLERANCE=0.0		Prime + Parallel Group 1-4	100.0 Secs [==>(Split 1)] [==>(Split 2)]	[1]
	3	N7078_3	(1) NGC7078	WFPC2, IMAGE, PC1-FIX	F555W			Prime + Parallel Group 1-4	10.0 Secs [==>]	[1]
	4	N7078_ACS_ANY_par1	ANY	ACS/WFC, ACCUM, WFC	F435W	CR-SPLIT=4		Prime + Parallel Group 1-4	1600.0 Secs [==>(Split 1)] [==>(Split 2)] [==>(Split 3)] [==>(Split 4)]	[1]



Proposal 10524 - Visit 11 - Blue Stragglers: a key stellar population to probe internal cluster dynamics

Wed Feb 07 02:02:34 GMT 2007

Visit	Proposal 10524, Visit 11, completed Diagnostic Status: No Diagnostics Scientific Instruments: ACS/WFC, WFPC2 Special Requirements: AFTER 10 BY 0.8 Orbits TO 1.2 Orbits									
	Fixed Targets	#	Name	Target Coordinates	Targ. Coord. Corrections	Fluxes	Miscellaneous			
	(1)	NGC7078	RA: 21 29 58.4000 (322.4933333d) Dec: +12 10 1.00 (12.16694d) Equinox: J2000		V=20.0+/-0.1	Coordinate Source: NED				
	<i>Comments: This object was generated by the targetselector and retrieved from the NED database.</i>									
Exposures	#	Label	Target	Config,Mode,Aperture	Spectral Els.	Opt. Params.	Special Reqs.	Groups	Exp. Time/[Actual Dur.]	Orbit
	1	N7078_4	(1) NGC7078	WFPC2, IMAGE, PC1-FIX	F255W	CR-SPLIT=NO; ATD-GAIN=7	POS TARG 0,0	Prime + Parallel Group 1-3	1000.0 Secs [==>]	[1]
	2	N7078_5	(1) NGC7078	WFPC2, IMAGE, PC1-FIX	F336W	CR-SPLIT=DEF; CR-TOLERANCE=0.0	POS TARG 0,0	Prime + Parallel Group 1-3	1400.0 Secs [==>(Split 1)] [==>(Split 2)]	[1]
	3	N7078_ACS ANY _par2	ANY	ACS/WFC, ACCUM, WFC	F555W	CR-SPLIT=4		Prime + Parallel Group 1-3	880.0 Secs [==>(Split 1)] [==>(Split 2)] [==>(Split 3)] [==>(Split 4)]	[1]



Proposal 10524 - Visit 54 - Blue Stragglers: a key stellar population to probe internal cluster dynamics

Wed Feb 07 02:02:34 GMT 2007

Visit	Proposal 10524, Visit 54, scheduling Diagnostic Status: Warning Scientific Instruments: WFPC2 Special Requirements: (none)																																													
	(Visit 54) Warning: VISIBILITY OVERRUN																																													
Diagnosics																																														
Fixed Targets	<table border="1"> <thead> <tr> <th>#</th> <th>Name</th> <th>Target Coordinates</th> <th>Targ. Coord. Corrections</th> <th>Fluxes</th> <th>Miscellaneous</th> </tr> </thead> <tbody> <tr> <td>(5)</td> <td>NGC6809</td> <td>RA: 19 39 59.4000 (294.9975000d) Dec: -30 57 43.00 (-30.96194d) Equinox: J2000</td> <td></td> <td>V=20.0+/-0.2</td> <td>Coordinate Source: NED</td> </tr> <tr> <td colspan="6"> <i>Comments: This object was generated by the targetselector and retrieved from the NED database.</i> </td> </tr> </tbody> </table>	#	Name	Target Coordinates	Targ. Coord. Corrections	Fluxes	Miscellaneous	(5)	NGC6809	RA: 19 39 59.4000 (294.9975000d) Dec: -30 57 43.00 (-30.96194d) Equinox: J2000		V=20.0+/-0.2	Coordinate Source: NED	<i>Comments: This object was generated by the targetselector and retrieved from the NED database.</i>																																
	#	Name	Target Coordinates	Targ. Coord. Corrections	Fluxes	Miscellaneous																																								
(5)	NGC6809	RA: 19 39 59.4000 (294.9975000d) Dec: -30 57 43.00 (-30.96194d) Equinox: J2000		V=20.0+/-0.2	Coordinate Source: NED																																									
<i>Comments: This object was generated by the targetselector and retrieved from the NED database.</i>																																														
Exposures	<table border="1"> <thead> <tr> <th>#</th> <th>Label</th> <th>Target</th> <th>Config,Mode,Aperture</th> <th>Spectral Els.</th> <th>Opt. Params.</th> <th>Special Reqs.</th> <th>Groups</th> <th>Exp. Time/[Actual Dur.]</th> <th>Orbit</th> </tr> </thead> <tbody> <tr> <td>1</td> <td>N6809_1</td> <td>(5) NGC6809</td> <td>WFPC2, IMAGE, PC1-FIX</td> <td>F255W</td> <td>CR-SPLIT=DEF; CR-TOLERANCE= 0.0; ATD-GAIN=7</td> <td></td> <td></td> <td>1000.0 Secs [==>(Split 1)] [==>(Split 2)]</td> <td>[1]</td> </tr> <tr> <td>2</td> <td>N6809_2</td> <td>(5) NGC6809</td> <td>WFPC2, IMAGE, PC1-FIX</td> <td>F336W</td> <td>CR-SPLIT=0.5; CR-TOLERANCE= 0.0</td> <td></td> <td></td> <td>800.0 Secs [==>(Split 1)] [==>(Split 2)]</td> <td>[1]</td> </tr> <tr> <td>3</td> <td>N6809_3</td> <td>(5) NGC6809</td> <td>WFPC2, IMAGE, PC1-FIX</td> <td>F555W</td> <td>CR-SPLIT=0.5; CR-TOLERANCE= 0.0</td> <td></td> <td></td> <td>80.0 Secs [==>(Split 1)] [==>(Split 2)]</td> <td>[1]</td> </tr> </tbody> </table>	#	Label	Target	Config,Mode,Aperture	Spectral Els.	Opt. Params.	Special Reqs.	Groups	Exp. Time/[Actual Dur.]	Orbit	1	N6809_1	(5) NGC6809	WFPC2, IMAGE, PC1-FIX	F255W	CR-SPLIT=DEF; CR-TOLERANCE= 0.0; ATD-GAIN=7			1000.0 Secs [==>(Split 1)] [==>(Split 2)]	[1]	2	N6809_2	(5) NGC6809	WFPC2, IMAGE, PC1-FIX	F336W	CR-SPLIT=0.5; CR-TOLERANCE= 0.0			800.0 Secs [==>(Split 1)] [==>(Split 2)]	[1]	3	N6809_3	(5) NGC6809	WFPC2, IMAGE, PC1-FIX	F555W	CR-SPLIT=0.5; CR-TOLERANCE= 0.0			80.0 Secs [==>(Split 1)] [==>(Split 2)]	[1]					
	#	Label	Target	Config,Mode,Aperture	Spectral Els.	Opt. Params.	Special Reqs.	Groups	Exp. Time/[Actual Dur.]	Orbit																																				
1	N6809_1	(5) NGC6809	WFPC2, IMAGE, PC1-FIX	F255W	CR-SPLIT=DEF; CR-TOLERANCE= 0.0; ATD-GAIN=7			1000.0 Secs [==>(Split 1)] [==>(Split 2)]	[1]																																					
2	N6809_2	(5) NGC6809	WFPC2, IMAGE, PC1-FIX	F336W	CR-SPLIT=0.5; CR-TOLERANCE= 0.0			800.0 Secs [==>(Split 1)] [==>(Split 2)]	[1]																																					
3	N6809_3	(5) NGC6809	WFPC2, IMAGE, PC1-FIX	F555W	CR-SPLIT=0.5; CR-TOLERANCE= 0.0			80.0 Secs [==>(Split 1)] [==>(Split 2)]	[1]																																					
Exposures																																														

