



10531 - The most distant X-ray cluster at $z = 1.4$: morphologies, color-magnitude relation and Fundamental Plane

Cycle: 14, Proposal Category: GO

(Availability Mode: SUPPORTED)

INVESTIGATORS

<i>Name</i>	<i>Institution</i>	<i>E-Mail</i>
Dr. Chris Mullis (PI)	University of Michigan	cmullis@umich.edu
Dr. Piero Rosati (CoI) (ESA Member)	European Southern Observatory - Germany	prosati@eso.org
Dr. Marijn Franx (CoI) (ESA Member)	Universiteit Leiden	franx@strw.leidenuniv.nl
Mr. Stijn Wuyts (CoI) (ESA Member)	Universiteit Leiden	wuyts@strw.leidenuniv.nl

VISITS

<i>Visit</i>	<i>Targets</i>	<i>Configurations</i>	<i>Orbits Used</i>	<i>Last Orbit Planner Run</i>	<i>OP Current with Visit?</i>
01	(1) XMMUJ2235	ACS/WFC NIC3 WFPC2	3	20-Jul-2005 21:05:57.0	yes
02	(1) XMMUJ2235	ACS/WFC NIC3 WFPC2	3	20-Jul-2005 21:06:26.0	yes
03	(1) XMMUJ2235	ACS/WFC NIC3 WFPC2	3	20-Jul-2005 21:06:52.0	yes

Proposal 10531 - Overview

<i>Visit</i>	<i>Targets</i>	<i>Configurations</i>	<i>Orbits Used</i>	<i>Last Orbit Planner Run</i>	<i>OP Current with Visit?</i>
04	(1) XMMUJ2235	ACS/WFC NIC3 WFPC2	5	20-Jul-2005 21:07:35.0	yes

14 Total Orbits Used

ABSTRACT

We have been engaged in a serendipitous search for very distant clusters based on extended X-ray sources in archival XMM-Newton observations, followed up by R and z snapshot imaging with VLT-FORS2. Very recent VLT-FORS2 spectroscopy of the best high-z candidate (reddest R-z galaxy overdensity) has unambiguously confirmed the presence of a massive cluster at $z = 1.392$ (11 secure redshifts), a record-breaking distance to date, which bears a crucial leverage on the evolution and formation of the most massive galaxies and clusters. We propose here to obtain deep NICMOS images in the H band and ACS images in the z band of the $z = 1.4$ cluster. The high resolution and sensitivity will allow us to study morphologies, measure lengthscales and surface photometry of the cluster members. We will analyse the color-magnitude relation and, in combination with velocity dispersions from VLT-FORS2 spectroscopy, we will extend the study of the Fundamental Plane to the highest possible limit. Tracing these scaling relations in clusters to an unprecedented look-back time will enable us to put strong constraints on the formation epoch of cluster galaxies.

OBSERVING DESCRIPTION

These observations consist of a 3x3 mosaic of NIC3 pointings (F160W filter) centered on the galaxy cluster XMMUJ2235. We spend 1.5 orbits on each tile of the mosaic. On each tile we take 6 dithered exposures. Visits 1, 2, and 3 consist of 3 orbits each thus completing two tiles per visit. Visit 4 consists of 4.5+0.5 orbits to complete last 3 tiles + bright star mitigation.

ACS z-band orbits awarded to this program were transferred to the GO/Perlmutter/10496 program to facilitate unified SN-monitoring schedule.

Proposal 10531 - Overview

Optimally, the NICMOS observations should be scheduled on ~25 July 2005 to directly follow complimentary ACS observations monitoring for supernova explosions (GTO/Ford/10698 and GO/Perlmutter/10496).

The dithering pattern is the same one as the HDF-S NICMOS observations (GO/Franx/9723) except here POS TARGS are used to establish the tiling in a manner invariant with ORIENT.

Please do NOT schedule right after passage through South Atlantic Anomaly and execute 4 visits as closely together in time as possible to avoid problems of variable background.

Proposal 10531 - Visit 01 - The most distant X-ray cluster at z = 1.4: morphologies, color-magnitude relation and Fundamental Plane

Thu Jul 21 01:07:49 GMT 2005

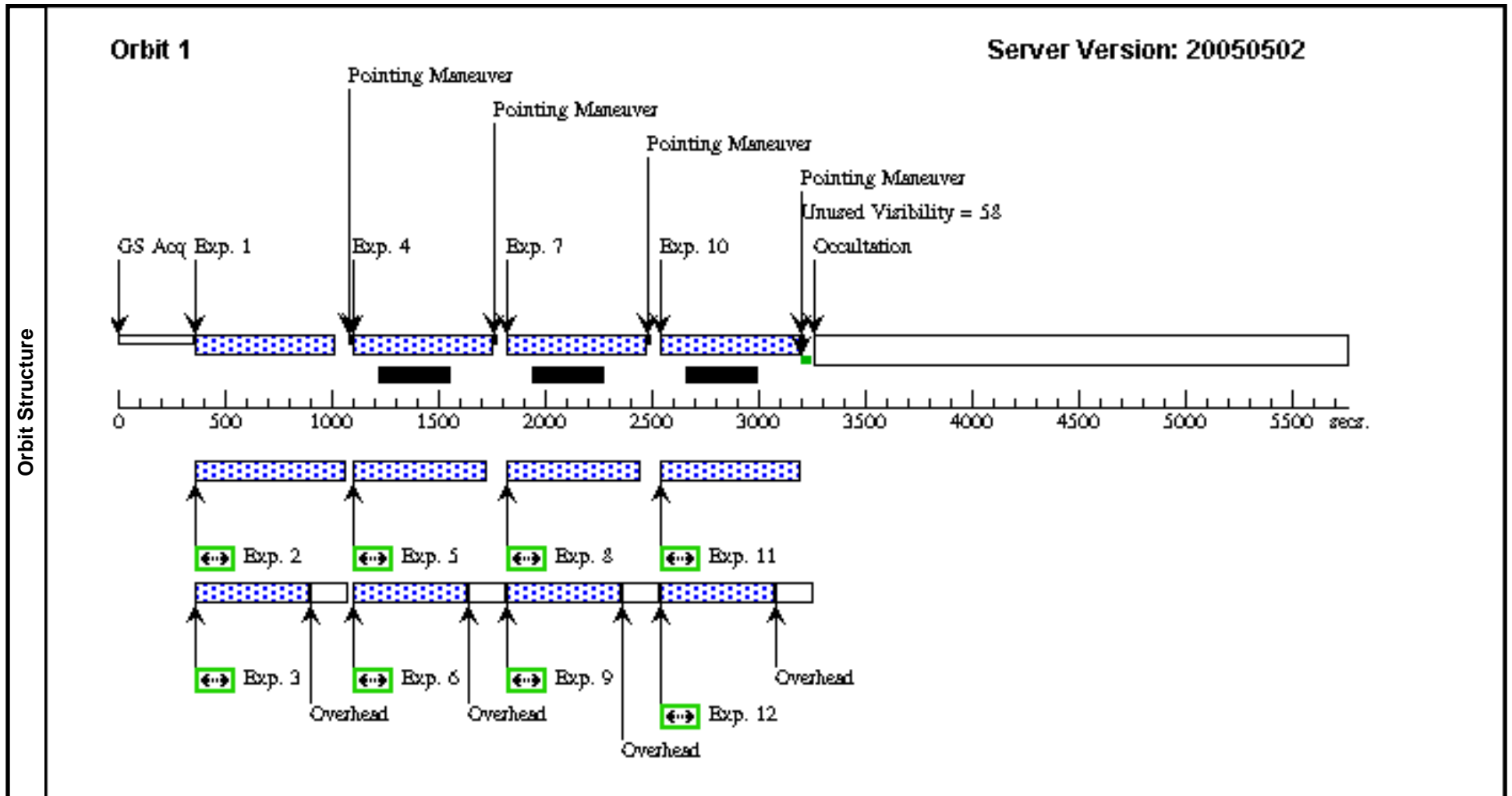
Visit	Proposal 10531, Visit 01 Diagnostic Status: Warning Scientific Instruments: ACS/WFC, WFPC2, NIC3 Special Requirements: NUMBER OF GYROS 3; ORIENT 315.0D TO 315.0 D; BEFORE 15-AUG-2005:00:00:00 <i>Comments: Timing requirement is a result of the necessity to schedule these NICMOS observations to provide crucial follow-up of high-redshift supernova potentially discovered by ACS observations (GTO/Ford/10698 and GO/Perlmutter/10496) directly proceeding these NICMOS observations. Orientation requirement assures matching FOV for complimentary ACS/GTO and ACS/GO observations.</i> <i>Please do NOT schedule right after passage through South Atlantic Anomaly. This produces nasty residuals in the images.</i> <i>Please execute 4 visits as closely together in time as possible to avoid problems of variable background.</i>																																																																										
	(Visit 01) Warning: POS TARG OUTSIDE OF APERTURE (Visit 01) Warning: POS TARG OUTSIDE OF APERTURE (Visit 01) Warning: Number of Gyros overrides default value. (Visit 01) Warning: POS TARG OUTSIDE OF APERTURE (Visit 01) Warning: POS TARG OUTSIDE OF APERTURE (Visit 01) Warning: POS TARG OUTSIDE OF APERTURE (Visit 01) Warning: POS TARG OUTSIDE OF APERTURE																																																																										
Diagnosics	<table border="1"> <thead> <tr> <th>#</th> <th>Name</th> <th>Target Coordinates</th> <th>Targ. Coord. Corrections</th> <th>Fluxes</th> <th>Miscellaneous</th> </tr> </thead> <tbody> <tr> <td>(1)</td> <td>XMMUJ2235</td> <td>RA: 22 35 20.8340 (338.8368083d) Dec: -25 57 39.90 (-25.96108d) Equinox: J2000 Plate Id: (?)</td> <td>Redshift: 1.4</td> <td>V=(?) R and z band magnitudes of the brightest cluster galaxy are respectively 22.4 and 20.3 (AB)</td> <td>Coordinate Source: VLT-FORS2 R-band image</td> </tr> </tbody> </table> <i>Comments: Coordinates of BCG WCS verified with USNO and GSC-2</i>						#	Name	Target Coordinates	Targ. Coord. Corrections	Fluxes	Miscellaneous	(1)	XMMUJ2235	RA: 22 35 20.8340 (338.8368083d) Dec: -25 57 39.90 (-25.96108d) Equinox: J2000 Plate Id: (?)	Redshift: 1.4	V=(?) R and z band magnitudes of the brightest cluster galaxy are respectively 22.4 and 20.3 (AB)	Coordinate Source: VLT-FORS2 R-band image																																																									
	#	Name	Target Coordinates	Targ. Coord. Corrections	Fluxes	Miscellaneous																																																																					
(1)	XMMUJ2235	RA: 22 35 20.8340 (338.8368083d) Dec: -25 57 39.90 (-25.96108d) Equinox: J2000 Plate Id: (?)	Redshift: 1.4	V=(?) R and z band magnitudes of the brightest cluster galaxy are respectively 22.4 and 20.3 (AB)	Coordinate Source: VLT-FORS2 R-band image																																																																						
<table border="1"> <thead> <tr> <th>#</th> <th>Label</th> <th>Target</th> <th>Config,Mode,Aperture</th> <th>Spectral Els.</th> <th>Opt. Params.</th> <th>Special Reqs.</th> <th>Groups</th> <th>Exp. Time/[Actual Dur.]</th> <th>Orbit</th> </tr> </thead> <tbody> <tr> <td>1</td> <td>Tile 4 (central); Dither 1 of 6</td> <td>(1) XMMUJ2235</td> <td>NIC3, MULTIACCUM, NIC3-FIX</td> <td>F160W</td> <td>SAMP-SEQ=SPARS 64; NSAMP=12</td> <td>POS TARG 0.3047,0 .8987; GS ACQ SCENARIO BASE13GO</td> <td>Prime + Parallel Group 1-3</td> <td>[==>]</td> <td>[1]</td> </tr> <tr> <td>2</td> <td></td> <td>(1) XMMUJ2235</td> <td>ACS/WFC, ACCUM, WFC</td> <td>F775W</td> <td>CR-SPLIT=NO</td> <td></td> <td>Prime + Parallel Group 1-3</td> <td>500.0 Secs [==>]</td> <td>[1]</td> </tr> <tr> <td>3</td> <td></td> <td>(1) XMMUJ2235</td> <td>WFPC2, IMAGE, WF2</td> <td>F702W</td> <td>CR-SPLIT=NO</td> <td></td> <td>Prime + Parallel Group 1-3</td> <td>350.0 Secs [==>]</td> <td>[1]</td> </tr> <tr> <td>4</td> <td>Tile 4 (central); Dither 2 of 6</td> <td>(1) XMMUJ2235</td> <td>NIC3, MULTIACCUM, NIC3-FIX</td> <td>F160W</td> <td>SAMP-SEQ=SPARS 64; NSAMP=12</td> <td>POS TARG 1.4219,2 .013</td> <td>Prime + Parallel Group 4-6</td> <td>[==>]</td> <td>[1]</td> </tr> <tr> <td>5</td> <td></td> <td>(1) XMMUJ2235</td> <td>ACS/WFC, ACCUM, WFC</td> <td>F775W</td> <td>CR-SPLIT=NO</td> <td></td> <td>Prime + Parallel Group 4-6</td> <td>500.0 Secs [==>]</td> <td>[1]</td> </tr> <tr> <td>6</td> <td></td> <td>(1) XMMUJ2235</td> <td>WFPC2, IMAGE, WF2</td> <td>F702W</td> <td>CR-SPLIT=NO</td> <td></td> <td>Prime + Parallel Group 4-6</td> <td>350.0 Secs [==>]</td> <td>[1]</td> </tr> </tbody> </table>						#	Label	Target	Config,Mode,Aperture	Spectral Els.	Opt. Params.	Special Reqs.	Groups	Exp. Time/[Actual Dur.]	Orbit	1	Tile 4 (central); Dither 1 of 6	(1) XMMUJ2235	NIC3, MULTIACCUM, NIC3-FIX	F160W	SAMP-SEQ=SPARS 64; NSAMP=12	POS TARG 0.3047,0 .8987; GS ACQ SCENARIO BASE13GO	Prime + Parallel Group 1-3	[==>]	[1]	2		(1) XMMUJ2235	ACS/WFC, ACCUM, WFC	F775W	CR-SPLIT=NO		Prime + Parallel Group 1-3	500.0 Secs [==>]	[1]	3		(1) XMMUJ2235	WFPC2, IMAGE, WF2	F702W	CR-SPLIT=NO		Prime + Parallel Group 1-3	350.0 Secs [==>]	[1]	4	Tile 4 (central); Dither 2 of 6	(1) XMMUJ2235	NIC3, MULTIACCUM, NIC3-FIX	F160W	SAMP-SEQ=SPARS 64; NSAMP=12	POS TARG 1.4219,2 .013	Prime + Parallel Group 4-6	[==>]	[1]	5		(1) XMMUJ2235	ACS/WFC, ACCUM, WFC	F775W	CR-SPLIT=NO		Prime + Parallel Group 4-6	500.0 Secs [==>]	[1]	6		(1) XMMUJ2235	WFPC2, IMAGE, WF2	F702W	CR-SPLIT=NO		Prime + Parallel Group 4-6	350.0 Secs [==>]	[1]
#	Label	Target	Config,Mode,Aperture	Spectral Els.	Opt. Params.	Special Reqs.	Groups	Exp. Time/[Actual Dur.]	Orbit																																																																		
1	Tile 4 (central); Dither 1 of 6	(1) XMMUJ2235	NIC3, MULTIACCUM, NIC3-FIX	F160W	SAMP-SEQ=SPARS 64; NSAMP=12	POS TARG 0.3047,0 .8987; GS ACQ SCENARIO BASE13GO	Prime + Parallel Group 1-3	[==>]	[1]																																																																		
2		(1) XMMUJ2235	ACS/WFC, ACCUM, WFC	F775W	CR-SPLIT=NO		Prime + Parallel Group 1-3	500.0 Secs [==>]	[1]																																																																		
3		(1) XMMUJ2235	WFPC2, IMAGE, WF2	F702W	CR-SPLIT=NO		Prime + Parallel Group 1-3	350.0 Secs [==>]	[1]																																																																		
4	Tile 4 (central); Dither 2 of 6	(1) XMMUJ2235	NIC3, MULTIACCUM, NIC3-FIX	F160W	SAMP-SEQ=SPARS 64; NSAMP=12	POS TARG 1.4219,2 .013	Prime + Parallel Group 4-6	[==>]	[1]																																																																		
5		(1) XMMUJ2235	ACS/WFC, ACCUM, WFC	F775W	CR-SPLIT=NO		Prime + Parallel Group 4-6	500.0 Secs [==>]	[1]																																																																		
6		(1) XMMUJ2235	WFPC2, IMAGE, WF2	F702W	CR-SPLIT=NO		Prime + Parallel Group 4-6	350.0 Secs [==>]	[1]																																																																		

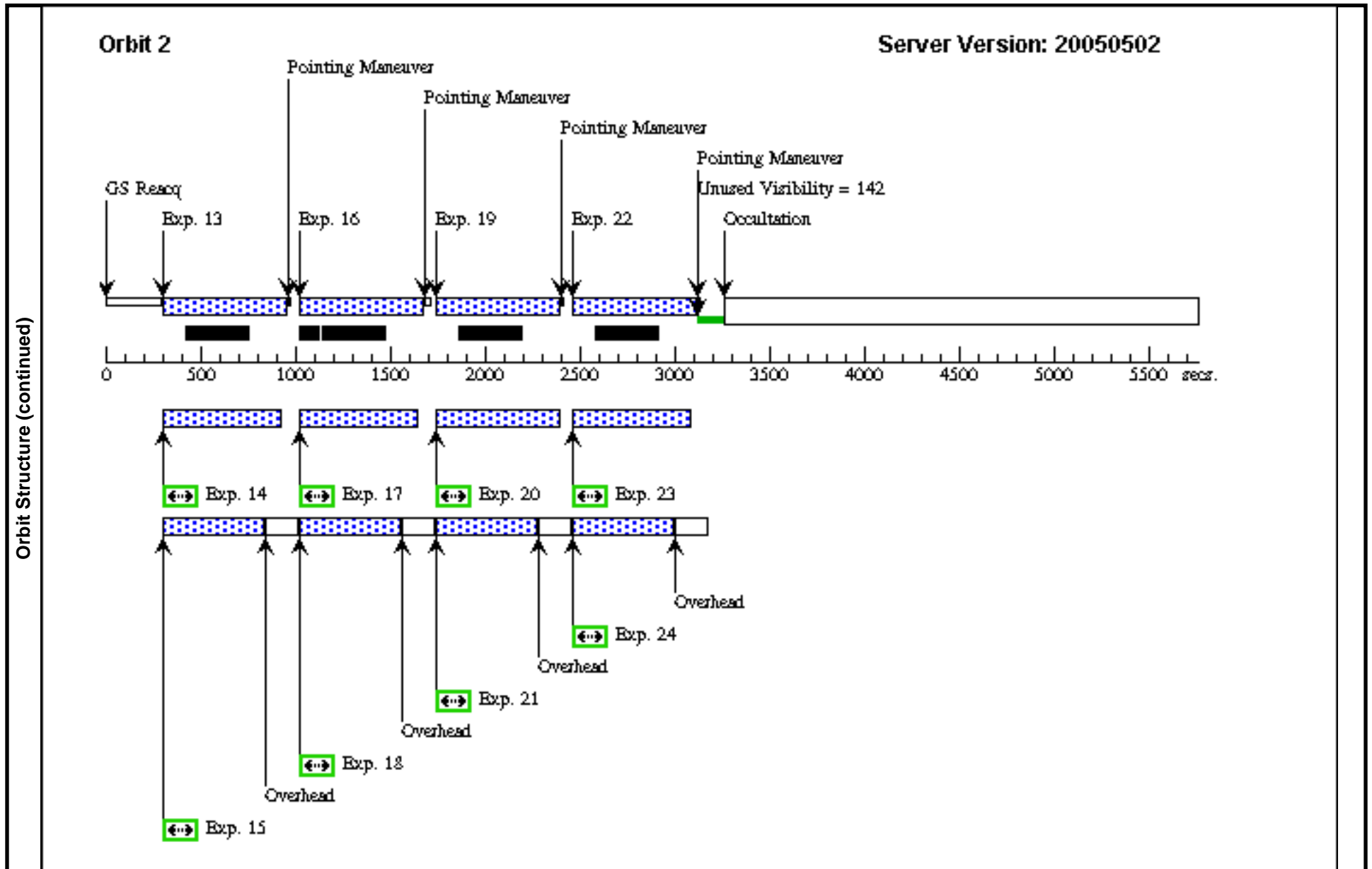
Proposal 10531 - Visit 01 - The most distant X-ray cluster at $z = 1.4$: morphologies, color-magnitude relation and Fundamental Plane

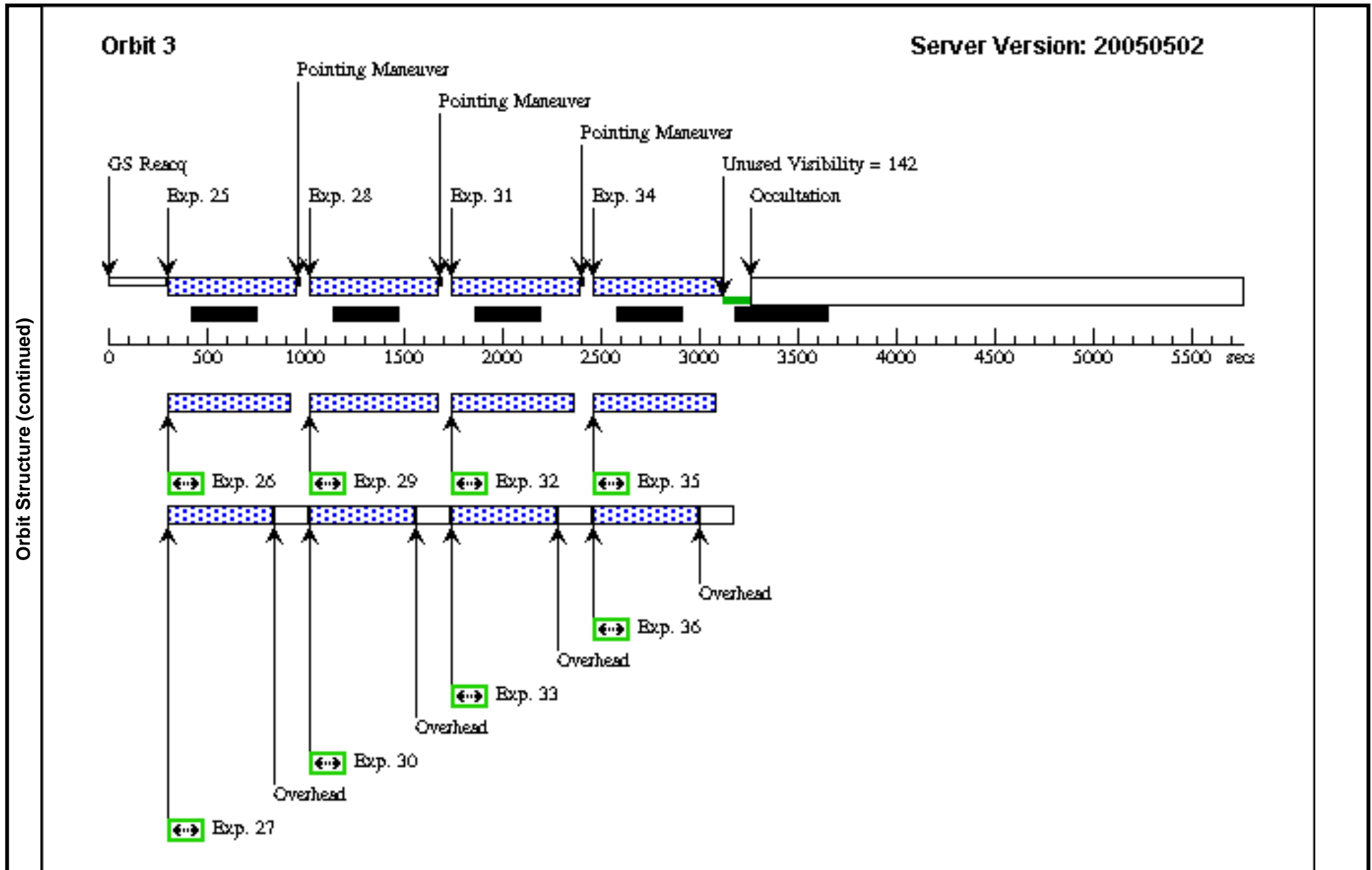
#	Label	Target	Config,Mode,Aperture	Spectral Els.	Opt. Params.	Special Reqs.	Groups	Exp. Time/[Actual Dur.]	Orbit	
Exposures (continued)	7	Tile 4 (central): Dither 3 of 6	(1) XMMUJ2235	NIC3, MULTIACCUM, NIC3-FIX	F160W	SAMP-SEQ=SPARS 64; NSAMP=12	POS TARG -0.1523, 1.5572	Prime + Parallel Group 7-9	[==>]	[1]
	8		(1) XMMUJ2235	ACS/WFC, ACCUM, WFC	F775W	CR-SPLIT=NO		Prime + Parallel Group 7-9	500.0 Secs [==>]	[1]
	9		(1) XMMUJ2235	WFPC2, IMAGE, WF2	F702W	CR-SPLIT=NO		Prime + Parallel Group 7-9	350.0 Secs [==>]	[1]
	10	Tile 4 (central): Dither 4 of 6	(1) XMMUJ2235	NIC3, MULTIACCUM, NIC3-FIX	F160W	SAMP-SEQ=SPARS 64; NSAMP=12	POS TARG 0.9649,0 .0376	Prime + Parallel Group 10-12	[==>]	[1]
	11		(1) XMMUJ2235	ACS/WFC, ACCUM, WFC	F850LP	CR-SPLIT=NO		Prime + Parallel Group 10-12	500.0 Secs [==>]	[1]
	12		(1) XMMUJ2235	WFPC2, IMAGE, WF2	F850LP	CR-SPLIT=NO		Prime + Parallel Group 10-12	350.0 Secs [==>]	[1]
	13	Tile 4 (central): Dither 5 of 6	(1) XMMUJ2235	NIC3, MULTIACCUM, NIC3-FIX	F160W	SAMP-SEQ=SPARS 64; NSAMP=12	POS TARG -0.5586, 0.2402	Prime + Parallel Group 13-15	[==>]	[2]
	14		(1) XMMUJ2235	ACS/WFC, ACCUM, WFC	F850LP	CR-SPLIT=NO		Prime + Parallel Group 13-15	500.0 Secs [==>]	[2]
	15		(1) XMMUJ2235	WFPC2, IMAGE, WF2	F850LP	CR-SPLIT=NO		Prime + Parallel Group 13-15	350.0 Secs [==>]	[2]
	16	Tile 4 (central): Dither 6 of 6	(1) XMMUJ2235	NIC3, MULTIACCUM, NIC3-FIX	F160W	SAMP-SEQ=SPARS 64; NSAMP=12	POS TARG 1.168,1. 3546	Prime + Parallel Group 16-18	[==>]	[2]
	17		(1) XMMUJ2235	ACS/WFC, ACCUM, WFC	F850LP	CR-SPLIT=NO		Prime + Parallel Group 16-18	500.0 Secs [==>]	[2]
	18		(1) XMMUJ2235	WFPC2, IMAGE, WF2	F850LP	CR-SPLIT=NO		Prime + Parallel Group 16-18	350.0 Secs [==>]	[2]
	19	Tile 1 (L of center): Dither 1 of 6	(1) XMMUJ2235	NIC3, MULTIACCUM, NIC3-FIX	F160W	SAMP-SEQ=SPARS 64; NSAMP=12	POS TARG 0.3047,- 47.7013	Prime + Parallel Group 19-21	[==>]	[2]
	20		(1) XMMUJ2235	ACS/WFC, ACCUM, WFC	F775W	CR-SPLIT=NO		Prime + Parallel Group 19-21	500.0 Secs [==>]	[2]
	21		(1) XMMUJ2235	WFPC2, IMAGE, WF2	F702W	CR-SPLIT=NO		Prime + Parallel Group 19-21	350.0 Secs [==>]	[2]
	22	Tile 1 (L of center): Dither 2 of 6	(1) XMMUJ2235	NIC3, MULTIACCUM, NIC3-FIX	F160W	SAMP-SEQ=SPARS 64; NSAMP=12	POS TARG 1.4219,- 46.587	Prime + Parallel Group 22-24	[==>]	[2]
	23		(1) XMMUJ2235	ACS/WFC, ACCUM, WFC	F775W	CR-SPLIT=NO		Prime + Parallel Group 22-24	500.0 Secs [==>]	[2]

Proposal 10531 - Visit 01 - The most distant X-ray cluster at $z = 1.4$: morphologies, color-magnitude relation and Fundamental Plane

#	Label	Target	Config,Mode,Aperture	Spectral Els.	Opt. Params.	Special Reqs.	Groups	Exp. Time/[Actual Dur.]	Orbit	
Exposures (continued)	24	(1) XMMUJ2235	WFPC2, IMAGE, WF2	F702W	CR-SPLIT=NO		Prime + Parallel Group 22-24	350.0 Secs [==>]	[3]	
	25	Tile 1 (L of center): Dither 3 of 6	(1) XMMUJ2235	NIC3, MULTIACCUM, NIC3-FIX	F160W	SAMP-SEQ=SPARS 64; NSAMP=12	POS TARG -0.1523, -47.0428	Prime + Parallel Group 25-27	[==>]	[3]
	26	(1) XMMUJ2235	ACS/WFC, ACCUM, WFC	F775W	CR-SPLIT=NO		Prime + Parallel Group 25-27	500.0 Secs [==>]	[3]	
	27	(1) XMMUJ2235	WFPC2, IMAGE, WF2	F702W	CR-SPLIT=NO		Prime + Parallel Group 25-27	350.0 Secs [==>]	[3]	
	28	Tile 1 (L of center): Dither 4 of 6	(1) XMMUJ2235	NIC3, MULTIACCUM, NIC3-FIX	F160W	SAMP-SEQ=SPARS 64; NSAMP=12	POS TARG 0.9649, -48.5624	Prime + Parallel Group 28-30	[==>]	[3]
	29	(1) XMMUJ2235	ACS/WFC, ACCUM, WFC	F850LP	CR-SPLIT=NO		Prime + Parallel Group 28-30	500.0 Secs [==>]	[3]	
	30	(1) XMMUJ2235	WFPC2, IMAGE, WF2	F850LP	CR-SPLIT=NO		Prime + Parallel Group 28-30	350.0 Secs [==>]	[3]	
	31	Tile 1 (L of center): Dither 5 of 6	(1) XMMUJ2235	NIC3, MULTIACCUM, NIC3-FIX	F160W	SAMP-SEQ=SPARS 64; NSAMP=12	POS TARG -0.5586, -48.3598	Prime + Parallel Group 31-33	[==>]	[3]
	32	(1) XMMUJ2235	ACS/WFC, ACCUM, WFC	F850LP	CR-SPLIT=NO		Prime + Parallel Group 31-33	500.0 Secs [==>]	[3]	
	33	(1) XMMUJ2235	WFPC2, IMAGE, WF2	F850LP	CR-SPLIT=NO		Prime + Parallel Group 31-33	350.0 Secs [==>]	[3]	
	34	Tile 1 (L of center): Dither 6 of 6	(1) XMMUJ2235	NIC3, MULTIACCUM, NIC3-FIX	F160W	SAMP-SEQ=SPARS 64; NSAMP=12	POS TARG 1.168, -47.2454	Prime + Parallel Group 34-36	[==>]	[3]
	35	(1) XMMUJ2235	ACS/WFC, ACCUM, WFC	F850LP	CR-SPLIT=NO		Prime + Parallel Group 34-36	500.0 Secs [==>]	[3]	
	36	(1) XMMUJ2235	WFPC2, IMAGE, WF2	F850LP	CR-SPLIT=NO		Prime + Parallel Group 34-36	350.0 Secs [==>]	[3]	







Proposal 10531 - Visit 02 - The most distant X-ray cluster at z = 1.4: morphologies, color-magnitude relation and Fundamental Plane

Thu Jul 21 01:07:53 GMT 2005

Visit	<p>Proposal 10531, Visit 02</p> <p>Diagnostic Status: Warning</p> <p>Scientific Instruments: ACS/WFC, WFPC2, NIC3</p> <p>Special Requirements: NUMBER OF GYROS 3; SAME ORIENT AS 01; BEFORE 15-AUG-2005:00:00:00</p> <p><i>Comments: Timing requirement is a result of the necessity to schedule these NICMOS observations to provide crucial follow-up of high-redshift supernova potentially discovered by ACS observations (GTO/Ford/10698 and GO/Perlmutter/10496) directly proceeding these NICMOS observations. Orientation requirement assures matching FOV for complimentary ACS/GTO and ACS/GO observations.</i></p> <p><i>Please do NOT schedule right after passage through South Atlantic Anomaly. This produces nasty residuals in the images.</i></p> <p><i>Please execute 4 visits as closely together in time as possible to avoid problems of variable background.</i></p>																																												
	<p>(Visit 02) Warning: POS TARG OUTSIDE OF APERTURE</p> <p>(Visit 02) Warning: POS TARG OUTSIDE OF APERTURE</p> <p>(Visit 02) Warning: POS TARG OUTSIDE OF APERTURE</p> <p>(Visit 02) Warning: POS TARG OUTSIDE OF APERTURE</p> <p>(Visit 02) Warning: POS TARG OUTSIDE OF APERTURE</p> <p>(Visit 02) Warning: POS TARG OUTSIDE OF APERTURE</p> <p>(Visit 02) Warning: POS TARG OUTSIDE OF APERTURE</p> <p>(Visit 02) Warning: POS TARG OUTSIDE OF APERTURE</p> <p>(Visit 02) Warning: POS TARG OUTSIDE OF APERTURE</p> <p>(Visit 02) Warning: POS TARG OUTSIDE OF APERTURE</p> <p>(Visit 02) Warning: POS TARG OUTSIDE OF APERTURE</p> <p>(Visit 02) Warning: POS TARG OUTSIDE OF APERTURE</p> <p>(Visit 02) Warning: POS TARG OUTSIDE OF APERTURE</p> <p>(Visit 02) Warning: Number of Gyros overrides default value.</p> <p>(Visit 02) Warning: POS TARG OUTSIDE OF APERTURE</p> <p>(Visit 02) Warning: POS TARG OUTSIDE OF APERTURE</p>																																												
Fixed Targets	<table border="1"> <thead> <tr> <th>#</th> <th>Name</th> <th>Target Coordinates</th> <th>Targ. Coord. Corrections</th> <th>Fluxes</th> <th>Miscellaneous</th> </tr> </thead> <tbody> <tr> <td>(1)</td> <td>XMMUJ2235</td> <td>RA: 22 35 20.8340 (338.8368083d) Dec: -25 57 39.90 (-25.96108d) Equinox: J2000 Plate Id: (?)</td> <td>Redshift: 1.4</td> <td>V=(?) R and z band magnitudes of the brightest cluster galaxy are respectively 22.4 and 20.3 (AB)</td> <td>Coordinate Source: VLT-FORS2 R-band image</td> </tr> </tbody> </table> <p><i>Comments: Coordinates of BCG WCS verified with USNO and GSC-2</i></p>						#	Name	Target Coordinates	Targ. Coord. Corrections	Fluxes	Miscellaneous	(1)	XMMUJ2235	RA: 22 35 20.8340 (338.8368083d) Dec: -25 57 39.90 (-25.96108d) Equinox: J2000 Plate Id: (?)	Redshift: 1.4	V=(?) R and z band magnitudes of the brightest cluster galaxy are respectively 22.4 and 20.3 (AB)	Coordinate Source: VLT-FORS2 R-band image																											
	#	Name	Target Coordinates	Targ. Coord. Corrections	Fluxes	Miscellaneous																																							
(1)	XMMUJ2235	RA: 22 35 20.8340 (338.8368083d) Dec: -25 57 39.90 (-25.96108d) Equinox: J2000 Plate Id: (?)	Redshift: 1.4	V=(?) R and z band magnitudes of the brightest cluster galaxy are respectively 22.4 and 20.3 (AB)	Coordinate Source: VLT-FORS2 R-band image																																								
<table border="1"> <thead> <tr> <th>#</th> <th>Label</th> <th>Target</th> <th>Config,Mode,Aperture</th> <th>Spectral Els.</th> <th>Opt. Params.</th> <th>Special Reqs.</th> <th>Groups</th> <th>Exp. Time/[Actual Dur.]</th> <th>Orbit</th> </tr> </thead> <tbody> <tr> <td>1</td> <td>Tile 5 (top of center): Dither 1 of 6</td> <td>(1) XMMUJ2235</td> <td>NIC3, MULTIACCUM, NIC3-FIX</td> <td>F160W</td> <td>SAMP-SEQ=SPARS 64; NSAMP=12</td> <td>POS TARG -48.295 3,0.8987; GS ACQ SCENARIO BASE13GO</td> <td>Prime + Parallel Group 1-3</td> <td>[==>]</td> <td>[1]</td> </tr> <tr> <td>2</td> <td></td> <td>(1) XMMUJ2235</td> <td>ACS/WFC, ACCUM, WFC</td> <td>F775W</td> <td>CR-SPLIT=NO</td> <td></td> <td>Prime + Parallel Group 1-3</td> <td>500.0 Secs [==>]</td> <td>[1]</td> </tr> <tr> <td>3</td> <td></td> <td>(1) XMMUJ2235</td> <td>WFPC2, IMAGE, WF2</td> <td>F702W</td> <td>CR-SPLIT=NO</td> <td></td> <td>Prime + Parallel Group 1-3</td> <td>350.0 Secs [==>]</td> <td>[1]</td> </tr> </tbody> </table>						#	Label	Target	Config,Mode,Aperture	Spectral Els.	Opt. Params.	Special Reqs.	Groups	Exp. Time/[Actual Dur.]	Orbit	1	Tile 5 (top of center): Dither 1 of 6	(1) XMMUJ2235	NIC3, MULTIACCUM, NIC3-FIX	F160W	SAMP-SEQ=SPARS 64; NSAMP=12	POS TARG -48.295 3,0.8987; GS ACQ SCENARIO BASE13GO	Prime + Parallel Group 1-3	[==>]	[1]	2		(1) XMMUJ2235	ACS/WFC, ACCUM, WFC	F775W	CR-SPLIT=NO		Prime + Parallel Group 1-3	500.0 Secs [==>]	[1]	3		(1) XMMUJ2235	WFPC2, IMAGE, WF2	F702W	CR-SPLIT=NO		Prime + Parallel Group 1-3	350.0 Secs [==>]	[1]
#	Label	Target	Config,Mode,Aperture	Spectral Els.	Opt. Params.	Special Reqs.	Groups	Exp. Time/[Actual Dur.]	Orbit																																				
1	Tile 5 (top of center): Dither 1 of 6	(1) XMMUJ2235	NIC3, MULTIACCUM, NIC3-FIX	F160W	SAMP-SEQ=SPARS 64; NSAMP=12	POS TARG -48.295 3,0.8987; GS ACQ SCENARIO BASE13GO	Prime + Parallel Group 1-3	[==>]	[1]																																				
2		(1) XMMUJ2235	ACS/WFC, ACCUM, WFC	F775W	CR-SPLIT=NO		Prime + Parallel Group 1-3	500.0 Secs [==>]	[1]																																				
3		(1) XMMUJ2235	WFPC2, IMAGE, WF2	F702W	CR-SPLIT=NO		Prime + Parallel Group 1-3	350.0 Secs [==>]	[1]																																				

Proposal 10531 - Visit 02 - The most distant X-ray cluster at z = 1.4: morphologies, color-magnitude relation and Fundamental Plane

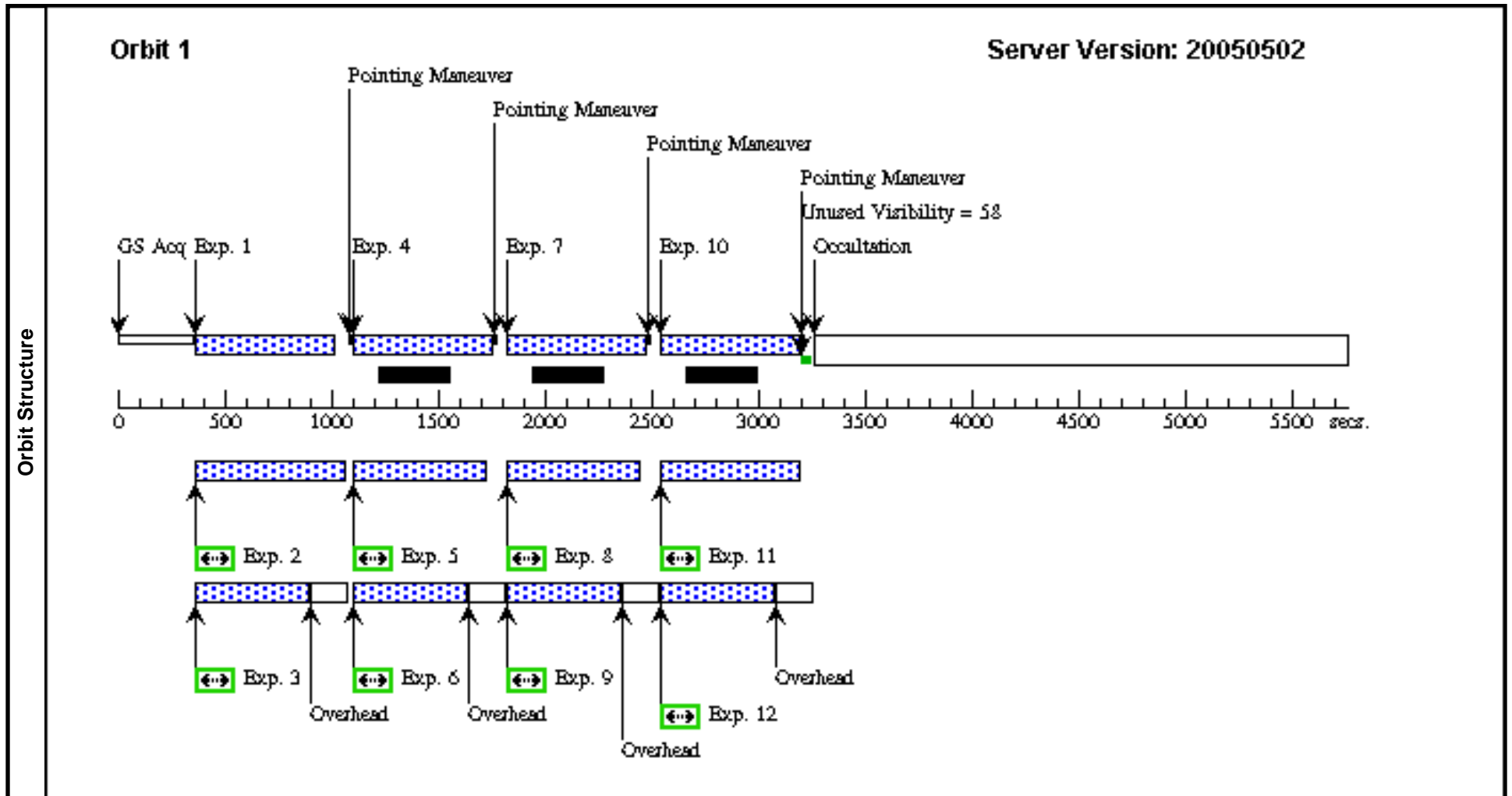
#	Label	Target	Config,Mode,Aperture	Spectral Els.	Opt. Params.	Special Reqs.	Groups	Exp. Time/[Actual Dur.]	Orbit	
Exposures (continued)	4	Tile 5 (top of center): Dither 2 of 6	(1) XMMUJ2235	NIC3, MULTIACCUM, NIC3-FIX	F160W	SAMP-SEQ=SPARS 64; NSAMP=12	POS TARG -47.178 1,2.013	Prime + Parallel Group 4-6	[==>]	[1]
	5		(1) XMMUJ2235	ACS/WFC, ACCUM, WFC	F775W	CR-SPLIT=NO		Prime + Parallel Group 4-6	500.0 Secs [==>]	[1]
	6		(1) XMMUJ2235	WFPC2, IMAGE, WF2	F702W	CR-SPLIT=NO		Prime + Parallel Group 4-6	350.0 Secs [==>]	[1]
	7	Tile 5 (top of center): Dither 3 of 6	(1) XMMUJ2235	NIC3, MULTIACCUM, NIC3-FIX	F160W	SAMP-SEQ=SPARS 64; NSAMP=12	POS TARG -48.752 3,1.5572	Prime + Parallel Group 7-9	[==>]	[1]
	8		(1) XMMUJ2235	ACS/WFC, ACCUM, WFC	F775W	CR-SPLIT=NO		Prime + Parallel Group 7-9	500.0 Secs [==>]	[1]
	9		(1) XMMUJ2235	WFPC2, IMAGE, WF2	F702W	CR-SPLIT=NO		Prime + Parallel Group 7-9	350.0 Secs [==>]	[1]
	10	Tile 5 (top of center): Dither 4 of 6	(1) XMMUJ2235	NIC3, MULTIACCUM, NIC3-FIX	F160W	SAMP-SEQ=SPARS 64; NSAMP=12	POS TARG -47.635 1,0.0376	Prime + Parallel Group 10-12	[==>]	[1]
	11		(1) XMMUJ2235	ACS/WFC, ACCUM, WFC	F850LP	CR-SPLIT=NO		Prime + Parallel Group 10-12	500.0 Secs [==>]	[1]
	12		(1) XMMUJ2235	WFPC2, IMAGE, WF2	F850LP	CR-SPLIT=NO		Prime + Parallel Group 10-12	350.0 Secs [==>]	[1]
	13	Tile 5 (top of center): Dither 5 of 6	(1) XMMUJ2235	NIC3, MULTIACCUM, NIC3-FIX	F160W	SAMP-SEQ=SPARS 64; NSAMP=12	POS TARG -49.158 6,0.2402	Prime + Parallel Group 13-15	[==>]	[2]
	14		(1) XMMUJ2235	ACS/WFC, ACCUM, WFC	F850LP	CR-SPLIT=NO		Prime + Parallel Group 13-15	500.0 Secs [==>]	[2]
	15		(1) XMMUJ2235	WFPC2, IMAGE, WF2	F850LP	CR-SPLIT=NO		Prime + Parallel Group 13-15	350.0 Secs [==>]	[2]
	16	Tile 5 (top of center): Dither 6 of 6	(1) XMMUJ2235	NIC3, MULTIACCUM, NIC3-FIX	F160W	SAMP-SEQ=SPARS 64; NSAMP=12	POS TARG -47.432, 1.3546	Prime + Parallel Group 16-18	[==>]	[2]
	17		(1) XMMUJ2235	ACS/WFC, ACCUM, WFC	F850LP	CR-SPLIT=NO		Prime + Parallel Group 16-18	500.0 Secs [==>]	[2]
	18		(1) XMMUJ2235	WFPC2, IMAGE, WF2	F850LP	CR-SPLIT=NO		Prime + Parallel Group 16-18	350.0 Secs [==>]	[2]
	19	Tile 2 (top-left of center): Dither 1 of 6	(1) XMMUJ2235	NIC3, MULTIACCUM, NIC3-FIX	F160W	SAMP-SEQ=SPARS 64; NSAMP=12	POS TARG -48.295 3,-47.7013	Prime + Parallel Group 19-21	[==>]	[2]

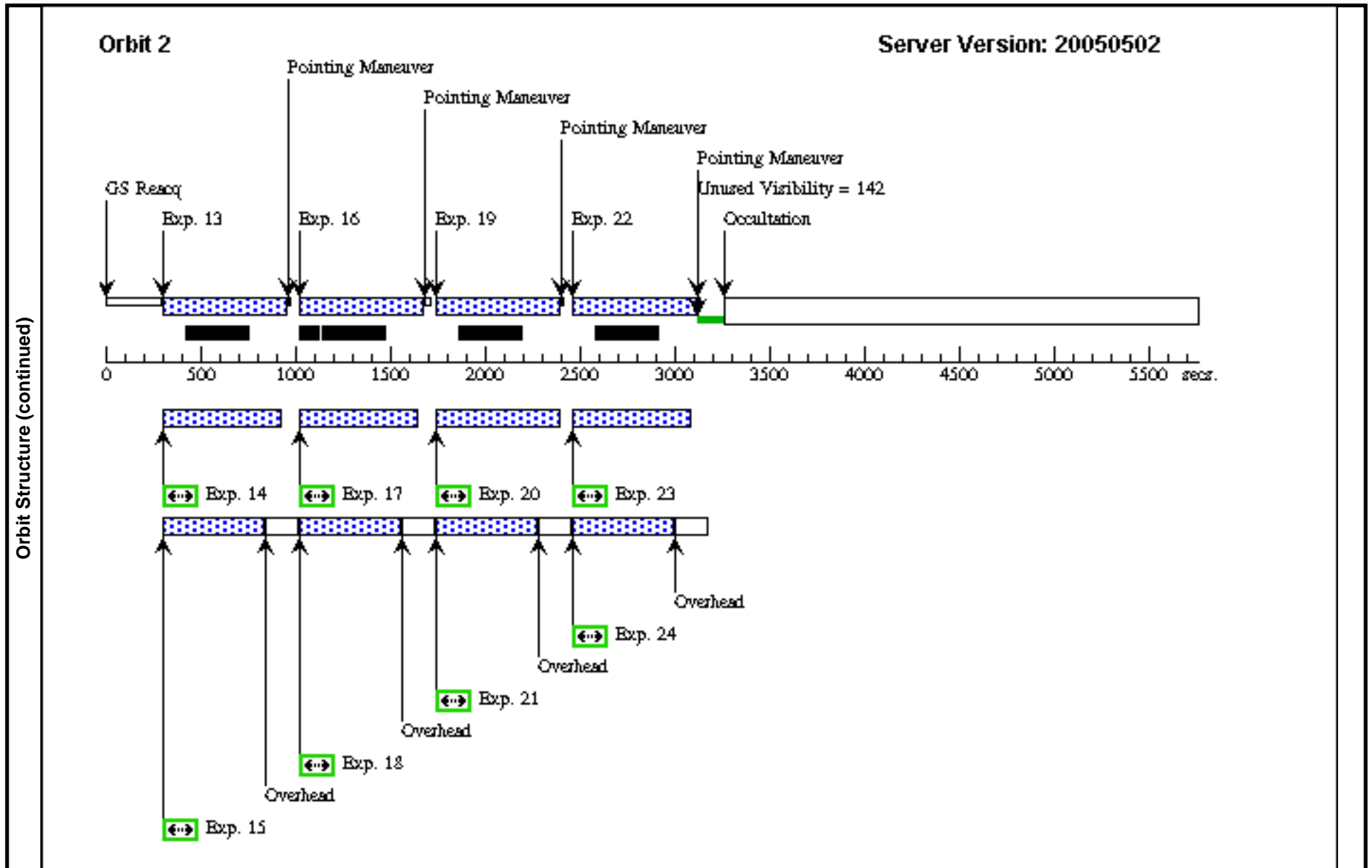
Proposal 10531 - Visit 02 - The most distant X-ray cluster at z = 1.4: morphologies, color-magnitude relation and Fundamental Plane

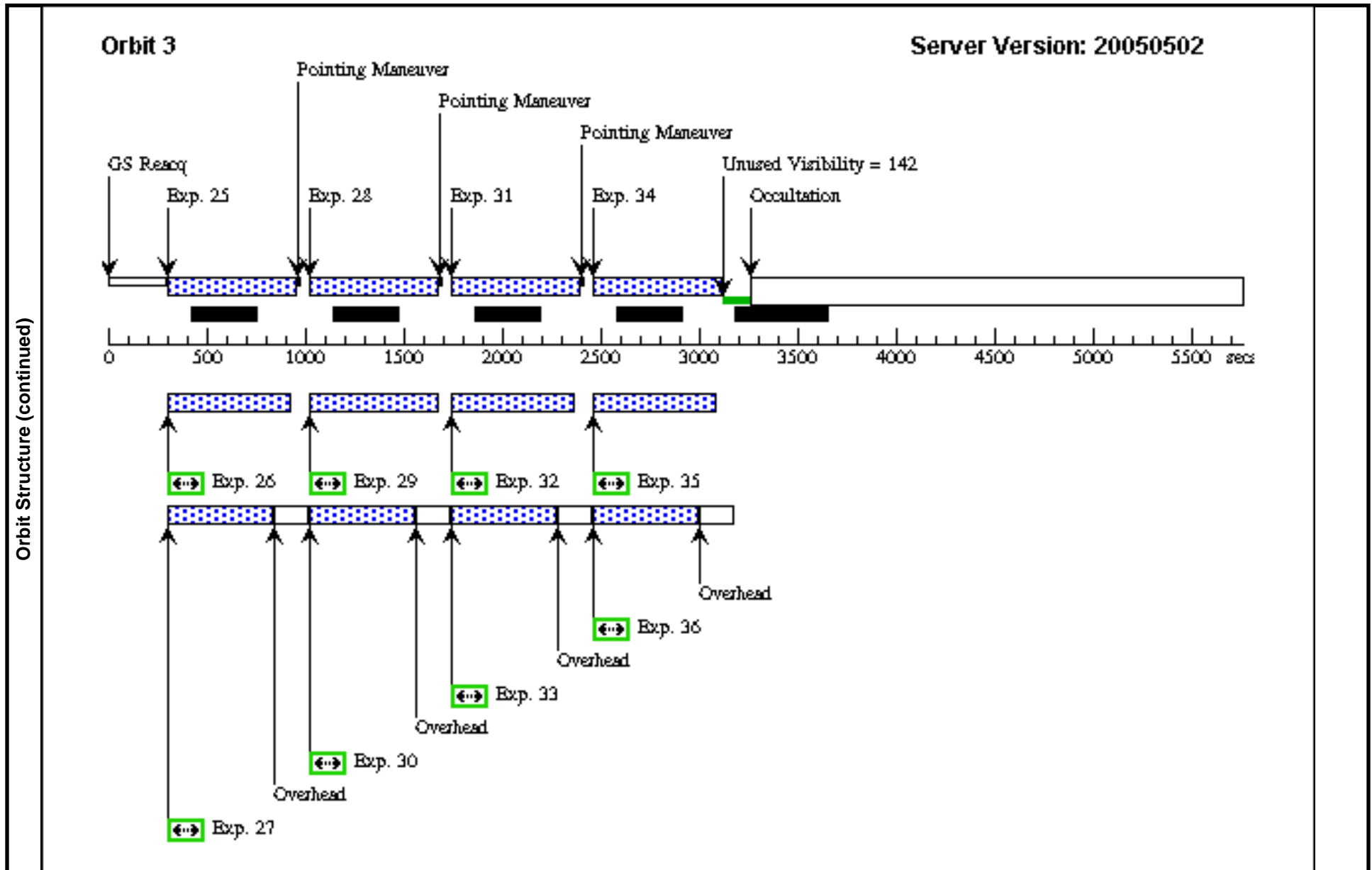
#	Label	Target	Config,Mode,Aperture	Spectral Els.	Opt. Params.	Special Reqs.	Groups	Exp. Time/[Actual Dur.]	Orbit
20		(1) XMMUJ2235	ACS/WFC, ACCUM, WFC	F775W	CR-SPLIT=NO		Prime + Parallel Group 19-21	500.0 Secs [==>]	[2]
21		(1) XMMUJ2235	WFPC2, IMAGE, WF2	F702W	CR-SPLIT=NO		Prime + Parallel Group 19-21	350.0 Secs [==>]	[2]
22	Tile 2 (top-left of center) : Dither 2 of 6	(1) XMMUJ2235	NIC3, MULTIACCUM, NIC3-FIX	F160W	SAMP-SEQ=SPARS 64; NSAMP=12	POS TARG -47.178 1,-46.587	Prime + Parallel Group 22-24	[==>]	[2]
23		(1) XMMUJ2235	ACS/WFC, ACCUM, WFC	F775W	CR-SPLIT=NO		Prime + Parallel Group 22-24	500.0 Secs [==>]	[2]
24		(1) XMMUJ2235	WFPC2, IMAGE, WF2	F702W	CR-SPLIT=NO		Prime + Parallel Group 22-24	350.0 Secs [==>]	[2]
25	Tile 2 (top-left of center) : Dither 3 of 6	(1) XMMUJ2235	NIC3, MULTIACCUM, NIC3-FIX	F160W	SAMP-SEQ=SPARS 64; NSAMP=12	POS TARG -48.752 3,-47.0428	Prime + Parallel Group 25-27	[==>]	[3]
26		(1) XMMUJ2235	ACS/WFC, ACCUM, WFC	F775W	CR-SPLIT=NO		Prime + Parallel Group 25-27	500.0 Secs [==>]	[3]
27		(1) XMMUJ2235	WFPC2, IMAGE, WF2	F702W	CR-SPLIT=NO		Prime + Parallel Group 25-27	350.0 Secs [==>]	[3]
28	Tile 2 (top-left of center) : Dither 4 of 6	(1) XMMUJ2235	NIC3, MULTIACCUM, NIC3-FIX	F160W	SAMP-SEQ=SPARS 64; NSAMP=12	POS TARG -47.635 1,-48.5624	Prime + Parallel Group 28-30	[==>]	[3]
29		(1) XMMUJ2235	ACS/WFC, ACCUM, WFC	F850LP	CR-SPLIT=NO		Prime + Parallel Group 28-30	500.0 Secs [==>]	[3]
30		(1) XMMUJ2235	WFPC2, IMAGE, WF2	F850LP	CR-SPLIT=NO		Prime + Parallel Group 28-30	350.0 Secs [==>]	[3]
31	Tile 2 (top-left of center) : Dither 5 of 6	(1) XMMUJ2235	NIC3, MULTIACCUM, NIC3-FIX	F160W	SAMP-SEQ=SPARS 64; NSAMP=12	POS TARG -49.158 6,-48.3598	Prime + Parallel Group 31-33	[==>]	[3]
32		(1) XMMUJ2235	ACS/WFC, ACCUM, WFC	F850LP	CR-SPLIT=NO		Prime + Parallel Group 31-33	500.0 Secs [==>]	[3]
33		(1) XMMUJ2235	WFPC2, IMAGE, WF2	F850LP	CR-SPLIT=NO		Prime + Parallel Group 31-33	350.0 Secs [==>]	[3]
34	Tile 2 (top-left of center) : Dither 6 of 6	(1) XMMUJ2235	NIC3, MULTIACCUM, NIC3-FIX	F160W	SAMP-SEQ=SPARS 64; NSAMP=12	POS TARG -47.432, -47.2454	Prime + Parallel Group 34-36	[==>]	[3]
35		(1) XMMUJ2235	ACS/WFC, ACCUM, WFC	F850LP	CR-SPLIT=NO		Prime + Parallel Group 34-36	500.0 Secs [==>]	[3]

Proposal 10531 - Visit 02 - The most distant X-ray cluster at $z = 1.4$: morphologies, color-magnitude relation and Fundamental Plane

Exposures (continued)	#	Label	Target	Config,Mode,Aperture	Spectral Els.	Opt. Params.	Special Reqs.	Groups	Exp. Time/[Actual Dur.]	Orbit
	36		(1) XMMUJ2235	WFPC2, IMAGE, WF2	F850LP	CR-SPLIT=NO		Prime + Parallel Group 34-36	350.0 Secs [==>]	[3]







Proposal 10531 - Visit 03 - The most distant X-ray cluster at z = 1.4: morphologies, color-magnitude relation and Fundamental Plane

Thu Jul 21 01:07:57 GMT 2005

Visit	<p>Proposal 10531, Visit 03</p> <p>Diagnostic Status: Warning</p> <p>Scientific Instruments: ACS/WFC, WFPC2, NIC3</p> <p>Special Requirements: NUMBER OF GYROS 3; SAME ORIENT AS 01; BEFORE 15-AUG-2005:00:00:00</p> <p><i>Comments: Timing requirement is a result of the necessity to schedule these NICMOS observations to provide crucial follow-up of high-redshift supernova potentially discovered by ACS observations (GTO/Ford/10698 and GO/Perlmutter/10496) directly proceeding these NICMOS observations. Orientation requirement assures matching FOV for complimentary ACS/GTO and ACS/GO observations.</i></p> <p><i>Please do NOT schedule right after passage through South Atlantic Anomaly. This produces nasty residuals in the images.</i></p> <p><i>Please execute 4 visits as closely together in time as possible to avoid problems of variable background.</i></p>									
	<p>(Visit 03) Warning: POS TARG OUTSIDE OF APERTURE</p> <p>(Visit 03) Warning: POS TARG OUTSIDE OF APERTURE</p> <p>(Visit 03) Warning: POS TARG OUTSIDE OF APERTURE</p> <p>(Visit 03) Warning: POS TARG OUTSIDE OF APERTURE</p> <p>(Visit 03) Warning: POS TARG OUTSIDE OF APERTURE</p> <p>(Visit 03) Warning: POS TARG OUTSIDE OF APERTURE</p> <p>(Visit 03) Warning: POS TARG OUTSIDE OF APERTURE</p> <p>(Visit 03) Warning: POS TARG OUTSIDE OF APERTURE</p> <p>(Visit 03) Warning: POS TARG OUTSIDE OF APERTURE</p> <p>(Visit 03) Warning: POS TARG OUTSIDE OF APERTURE</p> <p>(Visit 03) Warning: POS TARG OUTSIDE OF APERTURE</p> <p>(Visit 03) Warning: POS TARG OUTSIDE OF APERTURE</p> <p>(Visit 03) Warning: POS TARG OUTSIDE OF APERTURE</p> <p>(Visit 03) Warning: POS TARG OUTSIDE OF APERTURE</p> <p>(Visit 03) Warning: Number of Gyros overrides default value.</p>									
Fixed Targets	#	Name	Target Coordinates	Targ. Coord. Corrections	Fluxes	Miscellaneous				
	(1)	XMMUJ2235	RA: 22 35 20.8340 (338.8368083d) Dec: -25 57 39.90 (-25.96108d) Equinox: J2000 Plate Id: (?)	Redshift: 1.4	V=(?) R and z band magnitudes of the brightest cluster galaxy are respectively 22.4 and 20.3 (AB)	Coordinate Source: VLT-FORS2 R-band image				
<i>Comments: Coordinates of BCG WCS verified with USNO and GSC-2</i>										
Exposures	#	Label	Target	Config,Mode,Aperture	Spectral Els.	Opt. Params.	Special Reqs.	Groups	Exp. Time/[Actual Dur.]	Orbit
	1	Tile 3 (bottom of center): Dither 1 of 6	(1) XMMUJ2235	NIC3, MULTIACCUM, NIC3-FIX	F160W	SAMP-SEQ=SPARS 64; NSAMP=12	POS TARG 48.9047, 0.8987; GS ACQ SCENARI O BASE13GO	Prime + Parallel Group up 1-3	[==>]	[1]
	2		(1) XMMUJ2235	ACS/WFC, ACCUM, WFC	F775W	CR-SPLIT=NO		Prime + Parallel Group up 1-3	500.0 Secs [==>]	[1]
	3		(1) XMMUJ2235	WFPC2, IMAGE, WF2	F702W	CR-SPLIT=NO		Prime + Parallel Group up 1-3	350.0 Secs [==>]	[1]

Proposal 10531 - Visit 03 - The most distant X-ray cluster at z = 1.4: morphologies, color-magnitude relation and Fundamental Plane

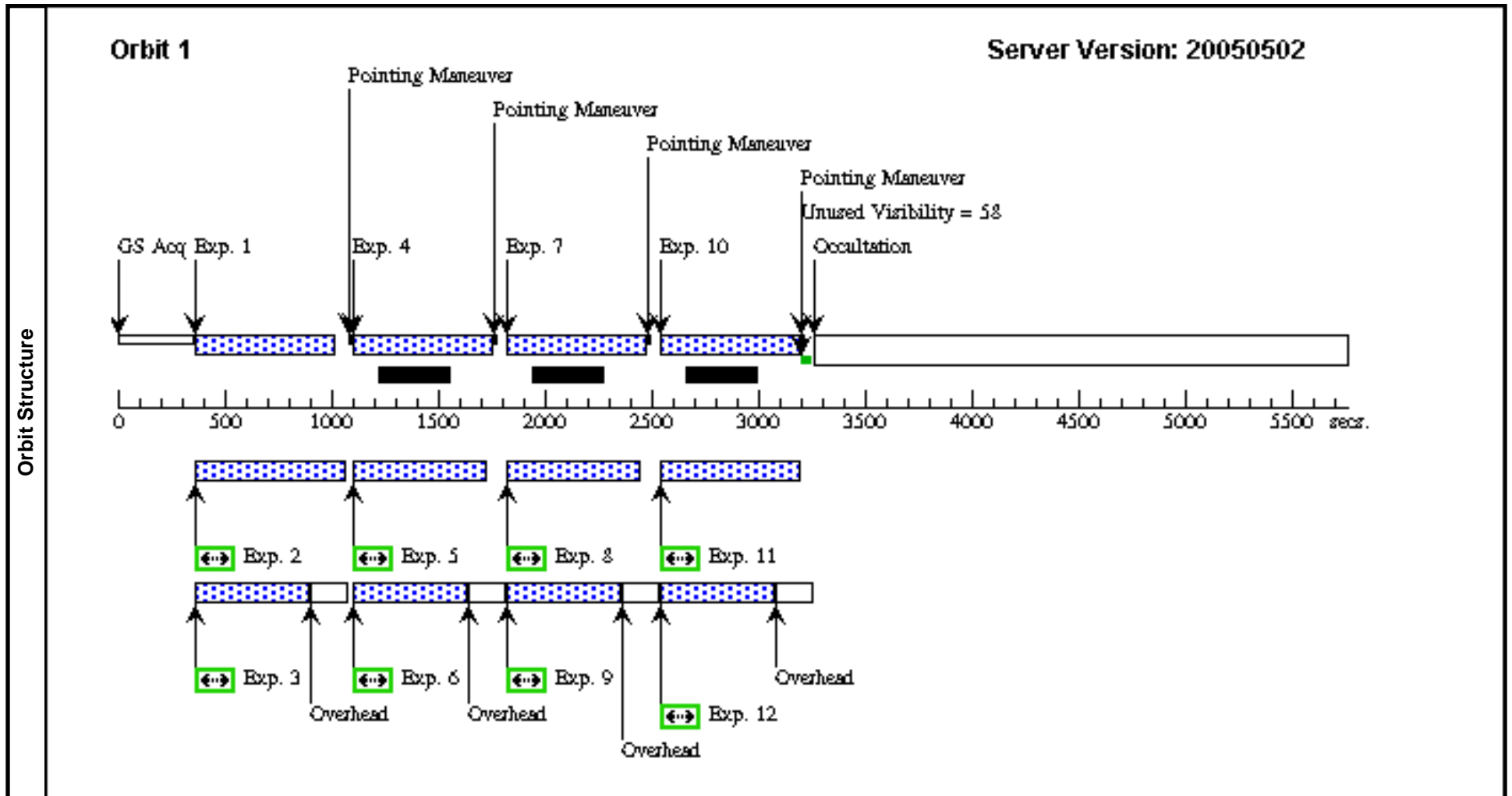
#	Label	Target	Config,Mode,Aperture	Spectral Els.	Opt. Params.	Special Reqs.	Groups	Exp. Time/[Actual Dur.]	Orbit	
Exposures (continued)	4	Tile 3 (bottom of center): Dither 2 of 6	(1) XMMUJ2235	NIC3, MULTIACCUM, NIC3-FIX	F160W	SAMP-SEQ=SPARS 64; NSAMP=12	POS TARG 50.0219, 2.013	Prime + Parallel Group 4-6	[==>]	[1]
	5		(1) XMMUJ2235	ACS/WFC, ACCUM, WFC	F775W	CR-SPLIT=NO		Prime + Parallel Group 4-6	500.0 Secs [==>]	[1]
	6		(1) XMMUJ2235	WFPC2, IMAGE, WF2	F702W	CR-SPLIT=NO		Prime + Parallel Group 4-6	350.0 Secs [==>]	[1]
	7	Tile 3 (bottom of center): Dither 3 of 6	(1) XMMUJ2235	NIC3, MULTIACCUM, NIC3-FIX	F160W	SAMP-SEQ=SPARS 64; NSAMP=12	POS TARG 48.4477, 1.5572	Prime + Parallel Group 7-9	[==>]	[1]
	8		(1) XMMUJ2235	ACS/WFC, ACCUM, WFC	F775W	CR-SPLIT=NO		Prime + Parallel Group 7-9	500.0 Secs [==>]	[1]
	9		(1) XMMUJ2235	WFPC2, IMAGE, WF2	F702W	CR-SPLIT=NO		Prime + Parallel Group 7-9	350.0 Secs [==>]	[1]
	10	Tile 3 (bottom of center): Dither 4 of 6	(1) XMMUJ2235	NIC3, MULTIACCUM, NIC3-FIX	F160W	SAMP-SEQ=SPARS 64; NSAMP=12	POS TARG 49.5649, 0.0376	Prime + Parallel Group 10-12	[==>]	[1]
	11		(1) XMMUJ2235	ACS/WFC, ACCUM, WFC	F850LP	CR-SPLIT=NO		Prime + Parallel Group 10-12	500.0 Secs [==>]	[1]
	12		(1) XMMUJ2235	WFPC2, IMAGE, WF2	F850LP	CR-SPLIT=NO		Prime + Parallel Group 10-12	350.0 Secs [==>]	[1]
	13	Tile 3 (bottom of center): Dither 5 of 6	(1) XMMUJ2235	NIC3, MULTIACCUM, NIC3-FIX	F160W	SAMP-SEQ=SPARS 64; NSAMP=12	POS TARG 48.0414, 0.2402	Prime + Parallel Group 13-15	[==>]	[2]
	14		(1) XMMUJ2235	ACS/WFC, ACCUM, WFC	F850LP	CR-SPLIT=NO		Prime + Parallel Group 13-15	500.0 Secs [==>]	[2]
	15		(1) XMMUJ2235	WFPC2, IMAGE, WF2	F850LP	CR-SPLIT=NO		Prime + Parallel Group 13-15	350.0 Secs [==>]	[2]
	16	Tile 3 (bottom of center): Dither 6 of 6	(1) XMMUJ2235	NIC3, MULTIACCUM, NIC3-FIX	F160W	SAMP-SEQ=SPARS 64; NSAMP=12	POS TARG 49.768, 1.3546	Prime + Parallel Group 16-18	[==>]	[2]
	17		(1) XMMUJ2235	ACS/WFC, ACCUM, WFC	F850LP	CR-SPLIT=NO		Prime + Parallel Group 16-18	500.0 Secs [==>]	[2]
	18		(1) XMMUJ2235	WFPC2, IMAGE, WF2	F850LP	CR-SPLIT=NO		Prime + Parallel Group 16-18	350.0 Secs [==>]	[2]
	19	Tile 0 (bottom-left of center): Dither 1 of 6	(1) XMMUJ2235	NIC3, MULTIACCUM, NIC3-FIX	F160W	SAMP-SEQ=SPARS 64; NSAMP=12	POS TARG 48.9047, -47.7013	Prime + Parallel Group 19-21	[==>]	[2]

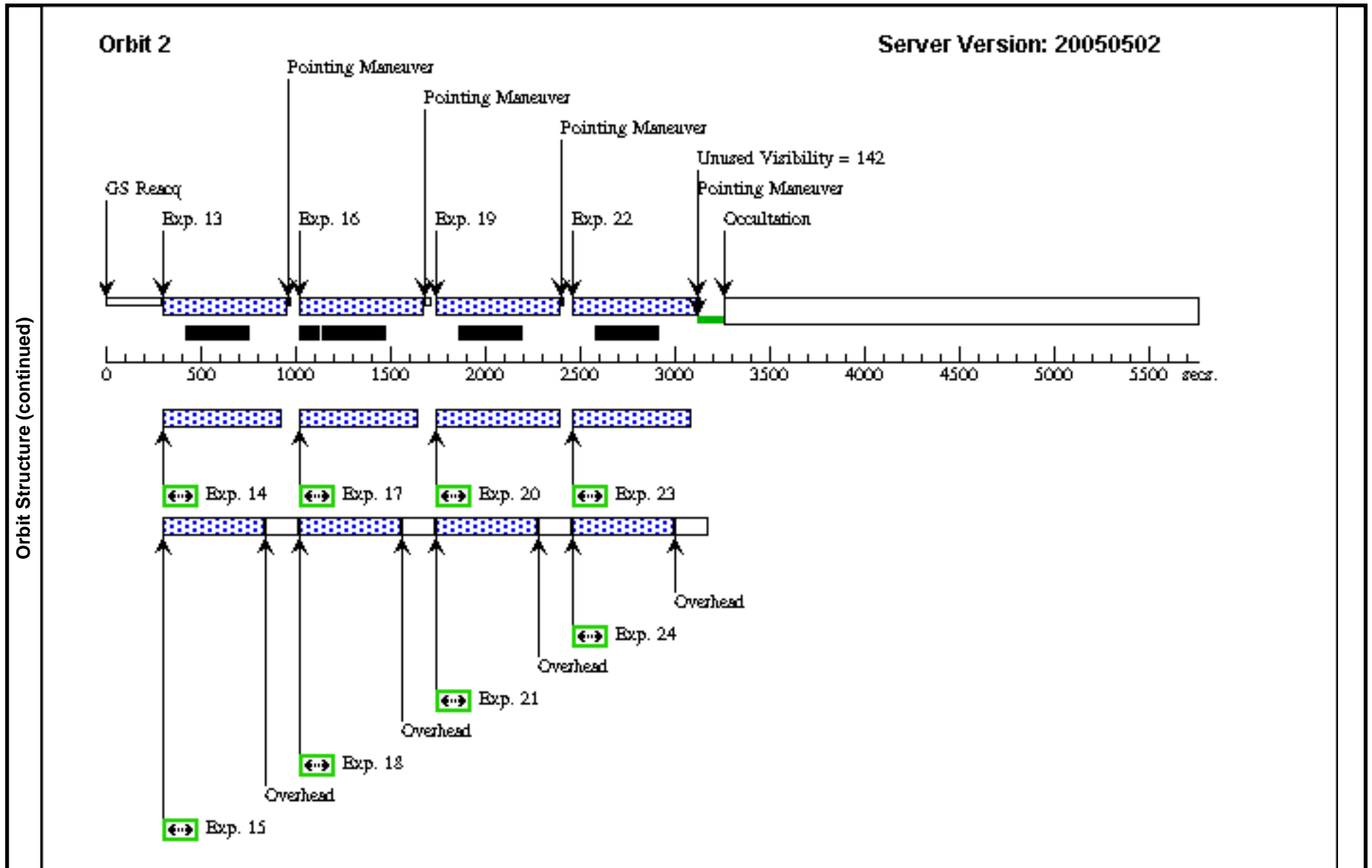
Proposal 10531 - Visit 03 - The most distant X-ray cluster at z = 1.4: morphologies, color-magnitude relation and Fundamental Plane

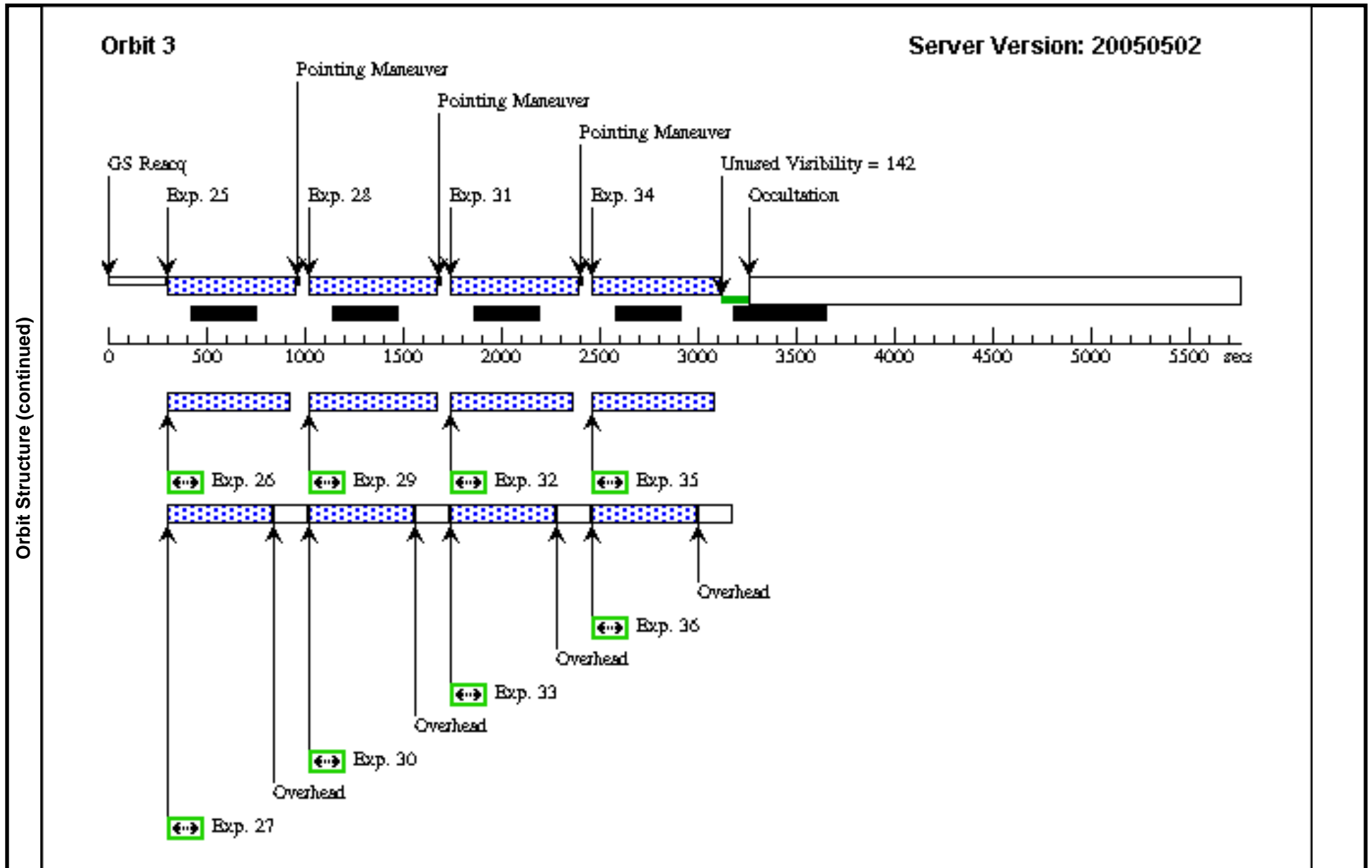
#	Label	Target	Config,Mode,Aperture	Spectral Els.	Opt. Params.	Special Reqs.	Groups	Exp. Time/[Actual Dur.]	Orbit
20		(1) XMMUJ2235	ACS/WFC, ACCUM, WFC	F775W	CR-SPLIT=NO		Prime + Parallel Group 19-21	500.0 Secs [==>]	[2]
21		(1) XMMUJ2235	WFPC2, IMAGE, WF2	F702W	CR-SPLIT=NO		Prime + Parallel Group 19-21	350.0 Secs [==>]	[2]
22	Tile 0 (bottom-left of center): Dither 2 of 6	(1) XMMUJ2235	NIC3, MULTIACCUM, NIC3-FIX	F160W	SAMP-SEQ=SPARS 64; NSAMP=12	POS TARG 50.0219, -46.587	Prime + Parallel Group 22-24	[==>]	[2]
23		(1) XMMUJ2235	ACS/WFC, ACCUM, WFC	F775W	CR-SPLIT=NO		Prime + Parallel Group 22-24	500.0 Secs [==>]	[2]
24		(1) XMMUJ2235	WFPC2, IMAGE, WF2	F702W	CR-SPLIT=NO		Prime + Parallel Group 22-24	350.0 Secs [==>]	[2]
25	Tile 0 (bottom-left of center): Dither 3 of 6	(1) XMMUJ2235	NIC3, MULTIACCUM, NIC3-FIX	F160W	SAMP-SEQ=SPARS 64; NSAMP=12	POS TARG 48.4477, -47.0428	Prime + Parallel Group 25-27	[==>]	[3]
26		(1) XMMUJ2235	ACS/WFC, ACCUM, WFC	F775W	CR-SPLIT=NO		Prime + Parallel Group 25-27	500.0 Secs [==>]	[3]
27		(1) XMMUJ2235	WFPC2, IMAGE, WF2	F702W	CR-SPLIT=NO		Prime + Parallel Group 25-27	350.0 Secs [==>]	[3]
28	Tile 0 (bottom-left of center): Dither 4 of 6	(1) XMMUJ2235	NIC3, MULTIACCUM, NIC3-FIX	F160W	SAMP-SEQ=SPARS 64; NSAMP=12	POS TARG 49.5649, -48.5624	Prime + Parallel Group 28-30	[==>]	[3]
29		(1) XMMUJ2235	ACS/WFC, ACCUM, WFC	F850LP	CR-SPLIT=NO		Prime + Parallel Group 28-30	500.0 Secs [==>]	[3]
30		(1) XMMUJ2235	WFPC2, IMAGE, WF2	F850LP	CR-SPLIT=NO		Prime + Parallel Group 28-30	350.0 Secs [==>]	[3]
31	Tile 0 (bottom-left of center): Dither 5 of 6	(1) XMMUJ2235	NIC3, MULTIACCUM, NIC3-FIX	F160W	SAMP-SEQ=SPARS 64; NSAMP=12	POS TARG 48.0414, -48.3598	Prime + Parallel Group 31-33	[==>]	[3]
32		(1) XMMUJ2235	ACS/WFC, ACCUM, WFC	F850LP	CR-SPLIT=NO		Prime + Parallel Group 31-33	500.0 Secs [==>]	[3]
33		(1) XMMUJ2235	WFPC2, IMAGE, WF2	F850LP	CR-SPLIT=NO		Prime + Parallel Group 31-33	350.0 Secs [==>]	[3]
34	Tile 0 (bottom-left of center): Dither 6 of 6	(1) XMMUJ2235	NIC3, MULTIACCUM, NIC3-FIX	F160W	SAMP-SEQ=SPARS 64; NSAMP=12	POS TARG 49.768, -47.2454	Prime + Parallel Group 34-36	[==>]	[3]
35		(1) XMMUJ2235	ACS/WFC, ACCUM, WFC	F850LP	CR-SPLIT=NO		Prime + Parallel Group 34-36	500.0 Secs [==>]	[3]

Proposal 10531 - Visit 03 - The most distant X-ray cluster at $z = 1.4$: morphologies, color-magnitude relation and Fundamental Plane

Exposures (continued)	#	Label	Target	Config,Mode,Aperture	Spectral Els.	Opt. Params.	Special Reqs.	Groups	Exp. Time/[Actual Dur.]	Orbit
	36		(1) XMMUJ2235	WFPC2, IMAGE, WF2	F850LP	CR-SPLIT=NO		Prime + Parallel Group 34-36	350.0 Secs [==>]	[3]







Proposal 10531 - Visit 04 - The most distant X-ray cluster at $z = 1.4$: morphologies, color-magnitude relation and Fundamental Plane

Thu Jul 21 01:08:00 GMT 2005

Visit	<p>Proposal 10531, Visit 04</p> <p>Diagnostic Status: Warning</p> <p>Scientific Instruments: ACS/WFC, WFPC2, NIC3</p> <p>Special Requirements: NUMBER OF GYROS 3; SAME ORIENT AS 01; BEFORE 15-AUG-2005:00:00:00</p> <p><i>Comments: Timing requirement is a result of the necessity to schedule these NICMOS observations to provide crucial follow-up of high-redshift supernova potentially discovered by ACS observations (GTO/Ford/10698 and GO/Perlmutter/10496) directly proceeding these NICMOS observations. Orientation requirement assures matching FOV for complimentary ACS/GTO and ACS/GO observations.</i></p> <p><i>Please do NOT schedule right after passage through South Atlantic Anomaly. This produces nasty residuals in the images.</i></p> <p><i>Please execute 4 visits as closely together in time as possible to avoid problems of variable background.</i></p>					
	Diagnostics	(Visit 04) Warning: POS TARG OUTSIDE OF APERTURE				
(Visit 04) Warning: POS TARG OUTSIDE OF APERTURE						
(Visit 04) Warning: POS TARG OUTSIDE OF APERTURE						
(Visit 04) Warning: POS TARG OUTSIDE OF APERTURE						
(Visit 04) Warning: POS TARG OUTSIDE OF APERTURE						
(Visit 04) Warning: POS TARG OUTSIDE OF APERTURE						
(Visit 04) Warning: POS TARG OUTSIDE OF APERTURE						
(Visit 04) Warning: POS TARG OUTSIDE OF APERTURE						
(Visit 04) Warning: POS TARG OUTSIDE OF APERTURE						
(Visit 04) Warning: POS TARG OUTSIDE OF APERTURE						
(Visit 04) Warning: Number of Gyros overrides default value.						
(Visit 04) Warning: POS TARG OUTSIDE OF APERTURE						
(Visit 04) Warning: POS TARG OUTSIDE OF APERTURE						
(Visit 04) Warning: POS TARG OUTSIDE OF APERTURE						
(Visit 04) Warning: POS TARG OUTSIDE OF APERTURE						
(Visit 04) Warning: POS TARG OUTSIDE OF APERTURE						
(Visit 04) Warning: POS TARG OUTSIDE OF APERTURE						
Fixed Targets	#	Name	Target Coordinates	Targ. Coord. Corrections	Fluxes	Miscellaneous
	(1)	XMMUJ2235	RA: 22 35 20.8340 (338.8368083d) Dec: -25 57 39.90 (-25.96108d) Equinox: J2000 Plate Id: (?)	Redshift: 1.4	V=(?) R and z band magnitudes of the brightest cluster galaxy are respectively 22.4 and 20.3 (AB)	Coordinate Source: VLT-FORS2 R-band image
<p><i>Comments: Coordinates of BCG WCS verified with USNO and GSC-2</i></p>						

Proposal 10531 - Visit 04 - The most distant X-ray cluster at z = 1.4: morphologies, color-magnitude relation and Fundamental Plane

#	Label	Target	Config,Mode,Aperture	Spectral Els.	Opt. Params.	Special Reqs.	Groups	Exp. Time/[Actual Dur.]	Orbit	
Exposures	1	Tile 6 (bottom-right of center): Dither 1 of 6	(1) XMMUJ2235	NIC3, MULTIACCUM, NIC3-FIX	F160W	SAMP-SEQ=SPARS 64; NSAMP=12	POS TARG 48.9047, 49.4987; GS ACQ SCENARIO BASE13GO	Prime + Parallel Group 1-3	[==>]	[1]
	2		(1) XMMUJ2235	ACS/WFC, ACCUM, WFC	F775W	CR-SPLIT=NO		Prime + Parallel Group 1-3	500.0 Secs [==>]	[1]
	3		(1) XMMUJ2235	WFPC2, IMAGE, WF2	F702W	CR-SPLIT=NO		Prime + Parallel Group 1-3	350.0 Secs [==>]	[1]
	4	Tile 6 (bottom-right of center): Dither 2 of 6	(1) XMMUJ2235	NIC3, MULTIACCUM, NIC3-FIX	F160W	SAMP-SEQ=SPARS 64; NSAMP=12	POS TARG 50.0219, 50.613	Prime + Parallel Group 4-6	[==>]	[1]
	5		(1) XMMUJ2235	ACS/WFC, ACCUM, WFC	F775W	CR-SPLIT=NO		Prime + Parallel Group 4-6	500.0 Secs [==>]	[1]
	6		(1) XMMUJ2235	WFPC2, IMAGE, WF2	F702W	CR-SPLIT=NO		Prime + Parallel Group 4-6	350.0 Secs [==>]	[1]
	7	Tile 6 (bottom-right of center): Dither 3 of 6	(1) XMMUJ2235	NIC3, MULTIACCUM, NIC3-FIX	F160W	SAMP-SEQ=SPARS 64; NSAMP=12	POS TARG 48.4477, 50.1572	Prime + Parallel Group 7-9	[==>]	[1]
	8		(1) XMMUJ2235	ACS/WFC, ACCUM, WFC	F775W	CR-SPLIT=NO		Prime + Parallel Group 7-9	500.0 Secs [==>]	[1]
	9		(1) XMMUJ2235	WFPC2, IMAGE, WF2	F702W	CR-SPLIT=NO		Prime + Parallel Group 7-9	350.0 Secs [==>]	[1]
	10	Tile 6 (bottom-right of center): Dither 4 of 6	(1) XMMUJ2235	NIC3, MULTIACCUM, NIC3-FIX	F160W	SAMP-SEQ=SPARS 64; NSAMP=12	POS TARG 49.5649, 48.6376	Prime + Parallel Group 10-12	[==>]	[1]
	11		(1) XMMUJ2235	ACS/WFC, ACCUM, WFC	F850LP	CR-SPLIT=NO		Prime + Parallel Group 10-12	500.0 Secs [==>]	[1]
	12		(1) XMMUJ2235	WFPC2, IMAGE, WF2	F850LP	CR-SPLIT=NO		Prime + Parallel Group 10-12	350.0 Secs [==>]	[1]
	13	Tile 6 (bottom-right of center): Dither 5 of 6	(1) XMMUJ2235	NIC3, MULTIACCUM, NIC3-FIX	F160W	SAMP-SEQ=SPARS 64; NSAMP=12	POS TARG 48.0414, 48.8402	Prime + Parallel Group 13-15	[==>]	[2]
	14		(1) XMMUJ2235	ACS/WFC, ACCUM, WFC	F850LP	CR-SPLIT=NO		Prime + Parallel Group 13-15	500.0 Secs [==>]	[2]
	15		(1) XMMUJ2235	WFPC2, IMAGE, WF2	F850LP	CR-SPLIT=NO		Prime + Parallel Group 13-15	350.0 Secs [==>]	[2]

Proposal 10531 - Visit 04 - The most distant X-ray cluster at z = 1.4: morphologies, color-magnitude relation and Fundamental Plane

#	Label	Target	Config,Mode,Aperture	Spectral Els.	Opt. Params.	Special Reqs.	Groups	Exp. Time/[Actual Dur.]	Orbit	
Exposures (continued)	16	Tile 6 (bottom-right of center): Dither 6 of 6	(1) XMMUJ2235	NIC3, MULTIACCUM, NIC3-FIX	F160W	SAMP-SEQ=SPARS 64; NSAMP=12	POS TARG 49.768,4 9.9546	Prime + Parallel Group 16-18	[==>]	[2]
	17		(1) XMMUJ2235	ACS/WFC, ACCUM, WFC	F850LP	CR-SPLIT=NO		Prime + Parallel Group 16-18	500.0 Secs [==>]	[2]
	18		(1) XMMUJ2235	WFPC2, IMAGE, WF2	F850LP	CR-SPLIT=NO		Prime + Parallel Group 16-18	350.0 Secs [==>]	[2]
	19	Tile 8 (top-right of center): Dither 1 of 6	(1) XMMUJ2235	NIC3, MULTIACCUM, NIC3-FIX	F160W	SAMP-SEQ=SPARS 64; NSAMP=12	POS TARG -48.295 3,49.4987	Prime + Parallel Group 19-21	[==>]	[2]
	20		(1) XMMUJ2235	ACS/WFC, ACCUM, WFC	F775W	CR-SPLIT=NO		Prime + Parallel Group 19-21	500.0 Secs [==>]	[2]
	21		(1) XMMUJ2235	WFPC2, IMAGE, WF2	F702W	CR-SPLIT=NO		Prime + Parallel Group 19-21	350.0 Secs [==>]	[2]
	22	Tile 8 (top-right of center): Dither 2 of 6	(1) XMMUJ2235	NIC3, MULTIACCUM, NIC3-FIX	F160W	SAMP-SEQ=SPARS 64; NSAMP=12	POS TARG -47.178 1,50.613	Prime + Parallel Group 22-24	[==>]	[2]
	23		(1) XMMUJ2235	ACS/WFC, ACCUM, WFC	F775W	CR-SPLIT=NO		Prime + Parallel Group 22-24	500.0 Secs [==>]	[2]
	24		(1) XMMUJ2235	WFPC2, IMAGE, WF2	F702W	CR-SPLIT=NO		Prime + Parallel Group 22-24	350.0 Secs [==>]	[2]
	25	Tile 8 (top-right of center): Dither 3 of 6	(1) XMMUJ2235	NIC3, MULTIACCUM, NIC3-FIX	F160W	SAMP-SEQ=SPARS 64; NSAMP=12	POS TARG -48.752 3,50.1572	Prime + Parallel Group 25-27	[==>]	[3]
	26		(1) XMMUJ2235	ACS/WFC, ACCUM, WFC	F775W	CR-SPLIT=NO		Prime + Parallel Group 25-27	500.0 Secs [==>]	[3]
	27		(1) XMMUJ2235	WFPC2, IMAGE, WF2	F702W	CR-SPLIT=NO		Prime + Parallel Group 25-27	350.0 Secs [==>]	[3]
	28	Tile 8 (top-right of center): Dither 4 of 6	(1) XMMUJ2235	NIC3, MULTIACCUM, NIC3-FIX	F160W	SAMP-SEQ=SPARS 64; NSAMP=12	POS TARG -47.635 1,48.6376	Prime + Parallel Group 28-30	[==>]	[3]
	29		(1) XMMUJ2235	ACS/WFC, ACCUM, WFC	F850LP	CR-SPLIT=NO		Prime + Parallel Group 28-30	500.0 Secs [==>]	[3]
	30		(1) XMMUJ2235	WFPC2, IMAGE, WF2	F850LP	CR-SPLIT=NO		Prime + Parallel Group 28-30	350.0 Secs [==>]	[3]
	31	Tile 8 (top-right of center): Dither 5 of 6	(1) XMMUJ2235	NIC3, MULTIACCUM, NIC3-FIX	F160W	SAMP-SEQ=SPARS 64; NSAMP=12	POS TARG -49.158 6,48.8402	Prime + Parallel Group 31-33	[==>]	[3]

Proposal 10531 - Visit 04 - The most distant X-ray cluster at z = 1.4: morphologies, color-magnitude relation and Fundamental Plane

#	Label	Target	Config,Mode,Aperture	Spectral Els.	Opt. Params.	Special Reqs.	Groups	Exp. Time/[Actual Dur.]	Orbit	
Exposures (continued)	32	(1) XMMUJ2235	ACS/WFC, ACCUM, WFC	F850LP	CR-SPLIT=NO		Prime + Parallel Group 31-33	500.0 Secs [==>]	[3]	
	33	(1) XMMUJ2235	WFPC2, IMAGE, WF2	F850LP	CR-SPLIT=NO		Prime + Parallel Group 31-33	350.0 Secs [==>]	[3]	
	34	Tile 8 (top-right of center): Dither 6 of 6	(1) XMMUJ2235	NIC3, MULTIACCUM, NIC3-FIX	F160W	SAMP-SEQ=SPARS 64; NSAMP=12	POS TARG -47.432, 49.9546	Prime + Parallel Group 34-36	[==>]	[3]
	35	(1) XMMUJ2235	ACS/WFC, ACCUM, WFC	F850LP	CR-SPLIT=NO		Prime + Parallel Group 34-36	500.0 Secs [==>]	[3]	
	36	(1) XMMUJ2235	WFPC2, IMAGE, WF2	F850LP	CR-SPLIT=NO		Prime + Parallel Group 34-36	350.0 Secs [==>]	[3]	
	37	Tile 7 (right of center): Dither 1 of 8	(1) XMMUJ2235	NIC3, MULTIACCUM, NIC3-FIX	F160W	SAMP-SEQ=SPARS 64; NSAMP=12	POS TARG 0.3047, 9.4987	Prime + Parallel Group 37-39	[==>]	[4]
	38	(1) XMMUJ2235	ACS/WFC, ACCUM, WFC	F775W	CR-SPLIT=NO		Prime + Parallel Group 37-39	500.0 Secs [==>]	[4]	
	39	(1) XMMUJ2235	WFPC2, IMAGE, WF2	F702W	CR-SPLIT=NO		Prime + Parallel Group 37-39	350.0 Secs [==>]	[4]	
	40	Tile 7 (right of center): Dither 2 of 8	(1) XMMUJ2235	NIC3, MULTIACCUM, NIC3-FIX	F160W	SAMP-SEQ=SPARS 64; NSAMP=12	POS TARG 1.4219, 0.613	Prime + Parallel Group 40-42	[==>]	[4]
	41	(1) XMMUJ2235	ACS/WFC, ACCUM, WFC	F775W	CR-SPLIT=NO		Prime + Parallel Group 40-42	500.0 Secs [==>]	[4]	
	42	(1) XMMUJ2235	WFPC2, IMAGE, WF2	F702W	CR-SPLIT=NO		Prime + Parallel Group 40-42	350.0 Secs [==>]	[4]	
	43	Tile 7 (right of center): Dither 3 of 8	(1) XMMUJ2235	NIC3, MULTIACCUM, NIC3-FIX	F160W	SAMP-SEQ=SPARS 64; NSAMP=12	POS TARG -0.1523, 50.1572	Prime + Parallel Group 43-45	[==>]	[4]
	44	(1) XMMUJ2235	ACS/WFC, ACCUM, WFC	F775W	CR-SPLIT=NO		Prime + Parallel Group 43-45	500.0 Secs [==>]	[4]	
	45	(1) XMMUJ2235	WFPC2, IMAGE, WF2	F702W	CR-SPLIT=NO		Prime + Parallel Group 43-45	350.0 Secs [==>]	[4]	
	46	Tile 7 (right of center): Dither 4 of 8	(1) XMMUJ2235	NIC3, MULTIACCUM, NIC3-FIX	F160W	SAMP-SEQ=SPARS 64; NSAMP=12	POS TARG 0.9649, 8.6376	Prime + Parallel Group 46-48	[==>]	[4]
	47	(1) XMMUJ2235	ACS/WFC, ACCUM, WFC	F850LP	CR-SPLIT=NO		Prime + Parallel Group 46-48	500.0 Secs [==>]	[4]	
	48	(1) XMMUJ2235	WFPC2, IMAGE, WF2	F850LP	CR-SPLIT=NO		Prime + Parallel Group 46-48	350.0 Secs [==>]	[4]	

Proposal 10531 - Visit 04 - The most distant X-ray cluster at z = 1.4: morphologies, color-magnitude relation and Fundamental Plane

#	Label	Target	Config,Mode,Aperture	Spectral Els.	Opt. Params.	Special Reqs.	Groups	Exp. Time/[Actual Dur.]	Orbit	
Exposures (continued)	49	Tile 7 (right of center): Dither 5 of 8	(1) XMMUJ2235	NIC3, MULTIACCUM, NIC3-FIX	F160W	SAMP-SEQ=SPARS 64; NSAMP=12	POS TARG -0.5586, 48.8402	Prime + Parallel Group 49-51	[==>]	[5]
	50		(1) XMMUJ2235	ACS/WFC, ACCUM, WFC	F850LP	CR-SPLIT=NO		Prime + Parallel Group 49-51	500.0 Secs	[5]
	51		(1) XMMUJ2235	WFPC2, IMAGE, WF2	F850LP	CR-SPLIT=NO		Prime + Parallel Group 49-51	350.0 Secs	[5]
	52	Tile 7 (right of center): Dither 6 of 8	(1) XMMUJ2235	NIC3, MULTIACCUM, NIC3-FIX	F160W	SAMP-SEQ=SPARS 64; NSAMP=12	POS TARG 1.168,49 .9546	Prime + Parallel Group 52-54	[==>]	[5]
	53		(1) XMMUJ2235	ACS/WFC, ACCUM, WFC	F850LP	CR-SPLIT=NO		Prime + Parallel Group 52-54	500.0 Secs	[5]
	54		(1) XMMUJ2235	WFPC2, IMAGE, WF2	F850LP	CR-SPLIT=NO		Prime + Parallel Group 52-54	350.0 Secs	[5]
	55	Tile 7 (right of center): Dither 7 of 8 / Bright Star Mitigation 1	(1) XMMUJ2235	NIC3, MULTIACCUM, NIC3-FIX	F160W	SAMP-SEQ=SPARS 64; NSAMP=12	POS TARG -18.832, 49.9546	Prime + Parallel Group 55-57	[==>]	[5]
	56		(1) XMMUJ2235	ACS/WFC, ACCUM, WFC	F850LP	CR-SPLIT=NO		Prime + Parallel Group 55-57	500.0 Secs	[5]
	57		(1) XMMUJ2235	WFPC2, IMAGE, WF2	F850LP	CR-SPLIT=NO		Prime + Parallel Group 55-57	350.0 Secs	[5]
	58	Tile 7 (right of center): Dither 8 of 8 / Bright Star Mitigation 2	(1) XMMUJ2235	NIC3, MULTIACCUM, NIC3-FIX	F160W	SAMP-SEQ=SPARS 64; NSAMP=12	POS TARG 1.168,74 .9546	Prime + Parallel Group 58-60	[==>]	[5]
	59		(1) XMMUJ2235	ACS/WFC, ACCUM, WFC	F850LP	CR-SPLIT=NO		Prime + Parallel Group 58-60	500.0 Secs	[5]
	60		(1) XMMUJ2235	WFPC2, IMAGE, WF2	F850LP	CR-SPLIT=NO		Prime + Parallel Group 58-60	350.0 Secs	[5]

