



10584 - The link between X-ray source and stellar populations in M81

Cycle: 14, Proposal Category: GO

(Availability Mode: SUPPORTED)

INVESTIGATORS

<i>Name</i>	<i>Institution</i>	<i>E-Mail</i>
Dr. Andreas Zezas (PI)	Smithsonian Institution Astrophysical Observatory	
Dr. Giuseppina Fabbiano (CoI)	Smithsonian Institution Astrophysical Observatory	
Prof. John S. Gallagher III (CoI)	University of Wisconsin - Madison	
Dr. Jon Matthew Miller (CoI)	Smithsonian Institution Astrophysical Observatory	
Dr. Philip Kaaret (CoI)	University of Iowa	
Dr. Vicky Kalogera (CoI)	Northwestern University	
Dr. Martin J. Ward (CoI)	University of Leicester	
Dr. Andrea Prestwich (CoI)	Smithsonian Institution Astrophysical Observatory	
Dr. Michael R. Garcia (CoI)	Smithsonian Institution Astrophysical Observatory	
Dr. Andrew R. King (CoI)	University of Leicester	

VISITS

<i>Visit</i>	<i>Targets</i>	<i>Configurations</i>	<i>Orbits Used</i>	<i>Last Orbit Planner Run</i>	<i>OP Current with Visit?</i>
01	(3) M81-FIELD-3	ACS/WFC WFPC2	1	13-May-2005 18:40:09.0	yes
02	(4) M81-FIELD-4	ACS/WFC WFPC2	1	13-May-2005 18:40:13.0	yes

Proposal 10584 - Overview

<i>Visit</i>	<i>Targets</i>	<i>Configurations</i>	<i>Orbits Used</i>	<i>Last Orbit Planner Run</i>	<i>OP Current with Visit?</i>
03	(5) M81-FIELD-5	ACS/WFC WFPC2	1	13-May-2005 18:40:17.0	yes
04	(6) M81-FIELD-6	ACS/WFC WFPC2	1	20-Jun-2005 11:04:36.0	yes
05	(7) M81-FIELD-7	ACS/WFC WFPC2	1	20-Jun-2005 11:04:40.0	yes
06	(8) M81-FIELD-8	ACS/WFC WFPC2	1	20-Jun-2005 11:04:44.0	yes
07	(9) M81-FIELD-9	ACS/WFC WFPC2	1	20-Jun-2005 11:04:47.0	yes
08	(10) M81-FIELD-10	ACS/WFC WFPC2	1	20-Jun-2005 11:04:50.0	yes
09	(11) M81-FIELD-11	ACS/WFC WFPC2	1	20-Jun-2005 11:04:53.0	yes
10	(12) M81-FIELD-12	ACS/WFC WFPC2	1	20-Jun-2005 11:04:56.0	yes
11	(13) M81-FIELD-13	ACS/WFC WFPC2	1	20-Jun-2005 11:04:59.0	yes
12	(14) M81-FIELD-14	ACS/WFC WFPC2	1	20-Jun-2005 11:05:02.0	yes
13	(15) M81-FIELD-15	ACS/WFC WFPC2	1	20-Jun-2005 11:05:05.0	yes
14	(16) M81-FIELD-16	ACS/WFC WFPC2	1	20-Jun-2005 11:05:08.0	yes

Proposal 10584 - Overview

<i>Visit</i>	<i>Targets</i>	<i>Configurations</i>	<i>Orbits Used</i>	<i>Last Orbit Planner Run</i>	<i>OP Current with Visit?</i>
15	(17) M81-FIELD-17	ACS/WFC WFPC2	1	20-Jun-2005 11:05:12.0	yes
16	(18) M81-FIELD-18	ACS/WFC WFPC2	1	20-Jun-2005 11:05:15.0	yes
17	(19) M81-FIELD-19	ACS/WFC WFPC2	1	20-Jun-2005 11:05:18.0	yes
18	(20) M81-FIELD-20	ACS/WFC WFPC2	1	20-Jun-2005 11:05:21.0	yes
19	(21) M81-FIELD-21	ACS/WFC WFPC2	1	20-Jun-2005 11:05:24.0	yes
20	(22) M81-FIELD-22	ACS/WFC WFPC2	1	20-Jun-2005 11:05:27.0	yes
21	(23) M81-FIELD-23	ACS/WFC WFPC2	1	20-Jun-2005 11:05:31.0	yes
22	(24) M81-FIELD-24	ACS/WFC WFPC2	1	20-Jun-2005 11:05:34.0	yes
23	(25) M81-FIELD-25	ACS/WFC WFPC2	1	20-Jun-2005 11:05:37.0	yes
24	(26) M81-FIELD-26	ACS/WFC WFPC2	1	20-Jun-2005 11:05:40.0	yes
25	(7) M81-FIELD-7 (11) M81-FIELD-11	ACS/WFC WFPC2	1	20-Jun-2005 11:05:44.0	yes
26	(9) M81-FIELD-9 (13) M81-FIELD-13	ACS/WFC WFPC2	1	20-Jun-2005 11:05:48.0	yes

Proposal 10584 - Overview

<i>Visit</i>	<i>Targets</i>	<i>Configurations</i>	<i>Orbits Used</i>	<i>Last Orbit Planner Run</i>	<i>OP Current with Visit?</i>
27	(15) M81-FIELD-15 (19) M81-FIELD-19	ACS/WFC WFPC2	1	20-Jun-2005 11:05:56.0	yes
28	(21) M81-FIELD-21 (17) M81-FIELD-17	ACS/WFC WFPC2	1	20-Jun-2005 11:06:00.0	yes
29	(1) M81-FIELD-1	ACS/WFC WFPC2	2	20-Jun-2005 11:06:05.0	yes
30	(2) M81-FIELD-2	ACS/WFC WFPC2	2	20-Jun-2005 11:06:11.0	yes
31	(27) M81-FIELD-27	ACS/WFC WFPC2	2	20-Jun-2005 11:06:17.0	yes
32	(28) M81-FIELD-28	ACS/WFC WFPC2	2	20-Jun-2005 11:06:27.0	yes
33	(29) M81-FIELD-29	ACS/WFC WFPC2	2	20-Jun-2005 11:06:33.0	yes

38 Total Orbits Used

ABSTRACT

We propose to perform a deep $v \sim 26-27.0$ HST-ACS survey of the nearby (3.6 Mpc) spiral galaxy M81 in order to study the nature of its X-ray source populations detected with Chandra. For the first time in a galaxy other than the Milky-Way or the Magelanic Clouds, we will classify X-ray sources as High-Mass and Low-Mass X-ray binaries (HMXBs, LMXBs) and investigate how these populations depend on their galactic environment. The classification will be performed (a) by finding and classifying unique optical counterparts for the X-ray sources and (b) studying the stellar populations in their vicinity. Both tasks require the $<0.1''$ resolution of HST-ACS which matches well the positional accuracy of Chandra. Finally we will use these results together with X-ray binary evolution synthesis models in order to constrain X-ray binary (XRB) evolution channels. These data will also be a great resource for studies of the star-formation and star-cluster populations in one of the prototypical spiral galaxies.

OBSERVING DESCRIPTION

These observations will provide a uniform BVI mosaic of the D25 area of M81 (full I band coverage is achieved with archival data). The typical exposures are 1200s for the B,V and 1600s for the I band observations. In addition to the ACS exposures we obtain WFPC2 F300W parallel exposures with a minimum exposure of 1600s per field.

ADDITIONAL COMMENTS

If the observations are to be performed with a different ORIENT please contact the PI to adjust the mosaic field positions in order to ensure maximum coverage of the galaxy.

Proposal 10584 - Visit 01 - The link between X-ray source and stellar populations in M81

Mon Jun 20 15:06:35 GMT 2005

Visit	Proposal 10584, Visit 01 Diagnostic Status: No Diagnostics Scientific Instruments: ACS/WFC, WFPC2 Special Requirements: ORIENT 330.0D TO 340.0 D; ORIENT 240.0D TO 250.0 D; ORIENT 150.0D TO 160.0 D; ORIENT 60.0D TO 70.0 D <i>Comments: We would like all observations to be performed with the same orientation. Preferred U3 angle is 335 degrees (90 or 180 degree rotations from this angle are also OK).</i>									
	Patterns	#	Primary Pattern	Secondary Pattern	Exposures					
	(1)	Pattern Type=ACS-WFC-DITHER-LINE Purpose=DITHER Number Of Points=2 Point Spacing=3.011 Line Spacing=	Coordinate Frame=POS-TARG Pattern Orientation=85.3 Angle Between Sides= Center Pattern=false		(1-4)					
Fixed Targets	#	Name	Target Coordinates	Targ. Coord. Corrections	Fluxes	Miscellaneous				
	(3)	M81-FIELD-3 Alt Name1: NGC3031	RA: 09 54 8.7060 (148.5362750d) Dec: +69 09 47.92 (69.16331d) Equinox: J2000 Plate Id: (?)	Radial Velocity: -35.0 km/sec	V=26.0+/-0.0	Coordinate Source: IMAGE_TIED_TO_GSC_FRAME				
	<i>Comments: V mag is for the detection limit.</i>									
Exposures	#	Label	Target	Config,Mode,Aperture	Spectral Els.	Opt. Params.	Special Reqs.	Groups	Exp. Time/[Actual Dur.]	Orbit
	1		(3) M81-FIELD-3	ACS/WFC, ACCUM, WFCENTER	F435W	CR-SPLIT=NO; PAREXP=DEF; GAIN=2	POS TARG 0,0	Pattern 1-4 (1) Prime + Parallel Group 1-4	360.0 Secs [=>600.0 Secs (Pattern 1)] [=>600.0 Secs (Pattern 2)]	[1]
	2		(3) M81-FIELD-3	ACS/WFC, ACCUM, WFCENTER	F606W	CR-SPLIT=NO; PAREXP=DEF; GAIN=2	POS TARG 0,0	Pattern 1-4 (1) Prime + Parallel Group 1-4	360.0 Secs [=>600.0 Secs (Pattern 1)] [=>600.0 Secs (Pattern 2)]	[1]
	3		(3) M81-FIELD-3	WFPC2, IMAGE, WFALL-FIX	F300W	CR-SPLIT=NO		Pattern 1-4 (1) Prime + Parallel Group 1-4	500.0 Secs [=>(Pattern 1)] [=>(Pattern 2)]	[1]
	4		(3) M81-FIELD-3	WFPC2, IMAGE, WFALL-FIX	F300W	CR-SPLIT=NO		Pattern 1-4 (1) Prime + Parallel Group 1-4	500.0 Secs [=>(Pattern 1)] [=>(Pattern 2)]	[1]

Proposal 10584 - Visit 02 - The link between X-ray source and stellar populations in M81

Mon Jun 20 15:06:35 GMT 2005

Visit	Proposal 10584, Visit 02 Diagnostic Status: No Diagnostics Scientific Instruments: ACS/WFC, WFPC2 Special Requirements: ORIENT 330.0D TO 340.0 D; ORIENT 240.0D TO 250.0 D; ORIENT 150.0D TO 160.0 D; ORIENT 60.0D TO 70.0 D Comments: We would like all observations to be performed with the same orientation. Preferred U3 angle is 335 degrees (90 or 180 degree rotations from this angle are also OK).									
	Patterns	#	Primary Pattern			Secondary Pattern			Exposures	
		(1)	Pattern Type=ACS-WFC-DITHER-LINE Purpose=DITHER Number Of Points=2 Point Spacing=3.011 Line Spacing=	Coordinate Frame=POS-TARG Pattern Orientation=85.3 Angle Between Sides= Center Pattern=false					(1-4)	
Fixed Targets	#	Name	Target Coordinates	Targ. Coord. Corrections	Fluxes	Miscellaneous				
	(4)	M81-FIELD-4 Alt Name1: NGC3031	RA: 09 54 41.2830 (148.6720125d) Dec: +69 11 5.29 (69.18480d) Equinox: J2000 Plate Id: (?)	Radial Velocity: -35.0 km/sec	V=26.0+/-0.0	Coordinate Source: IMAGE_TIED_TO_GSC_FRAME				
	Comments: V mag is for the detection limit.									
Exposures	#	Label	Target	Config,Mode,Aperture	Spectral Els.	Opt. Params.	Special Reqs.	Groups	Exp. Time/[Actual Dur.]	Orbit
	1		(4) M81-FIELD-4	ACS/WFC, ACCUM, WFCENTER	F435W	CR-SPLIT=NO; PAREXP=DEF; GAIN=2	POS TARG 0,0	Pattern 1-4 (1) Prime + Parallel Group 1-4	360.0 Secs [=>600.0 Secs (Pattern 1)] [=>600.0 Secs (Pattern 2)]	[1]
	2		(4) M81-FIELD-4	ACS/WFC, ACCUM, WFCENTER	F606W	CR-SPLIT=NO; PAREXP=DEF; GAIN=2	POS TARG 0,0	Pattern 1-4 (1) Prime + Parallel Group 1-4	360.0 Secs [=>600.0 Secs (Pattern 1)] [=>600.0 Secs (Pattern 2)]	[1]
	3		(4) M81-FIELD-4	WFPC2, IMAGE, WFALL-FIX	F300W	CR-SPLIT=NO		Pattern 1-4 (1) Prime + Parallel Group 1-4	500.0 Secs [=>(Pattern 1)] [=>(Pattern 2)]	[1]
	4		(4) M81-FIELD-4	WFPC2, IMAGE, WFALL-FIX	F300W	CR-SPLIT=NO		Pattern 1-4 (1) Prime + Parallel Group 1-4	500.0 Secs [=>(Pattern 1)] [=>(Pattern 2)]	[1]

Proposal 10584 - Visit 03 - The link between X-ray source and stellar populations in M81

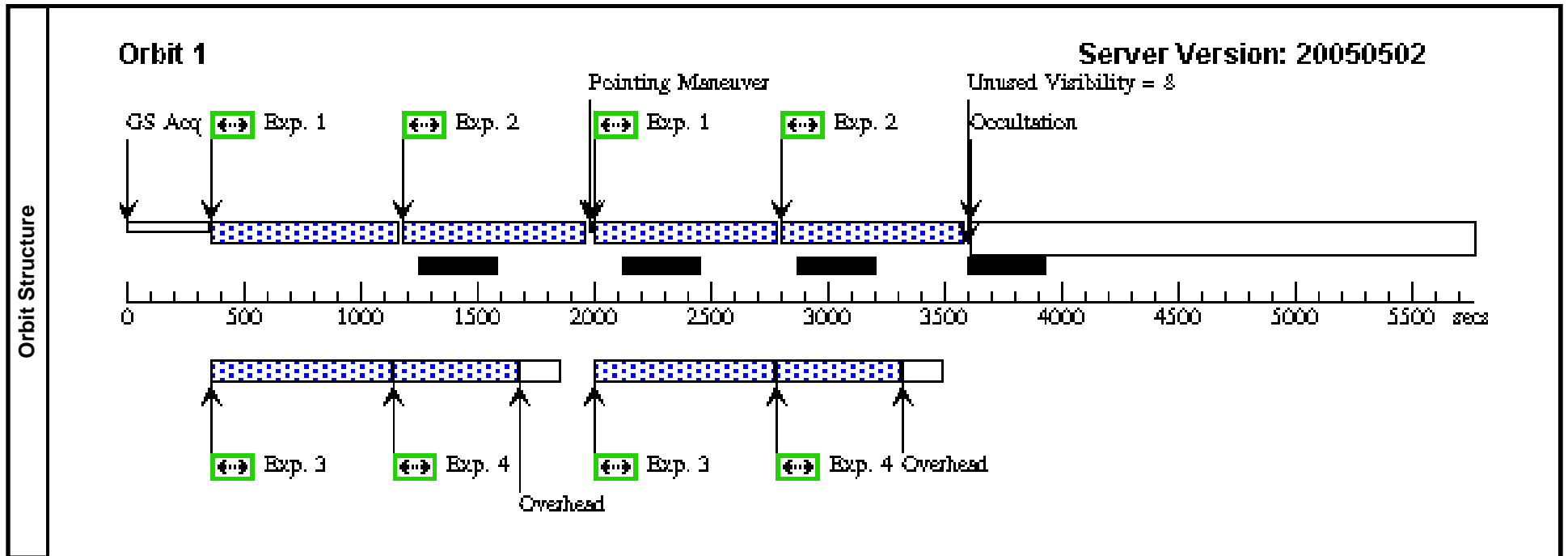
Mon Jun 20 15:06:36 GMT 2005

Visit	Proposal 10584, Visit 03 Diagnostic Status: No Diagnostics Scientific Instruments: ACS/WFC, WFPC2 Special Requirements: ORIENT 330.0D TO 340.0 D; ORIENT 240.0D TO 250.0 D; ORIENT 150.0D TO 160.0 D; ORIENT 60.0D TO 70.0 D <i>Comments: We would like all observations to be performed with the same orientation. Preferred U3 angle is 335 degrees (90 or 180 degree rotations from this angle are also OK).</i>									
	Patterns	#	Primary Pattern			Secondary Pattern			Exposures	
		(1)	Pattern Type=ACS-WFC-DITHER-LINE Purpose=DITHER Number Of Points=2 Point Spacing=3.011 Line Spacing=	Coordinate Frame=POS-TARG Pattern Orientation=85.3 Angle Between Sides= Center Pattern=false					(1-4)	
Fixed Targets	#	Name	Target Coordinates	Targ. Coord. Corrections	Fluxes	Miscellaneous				
	(5)	M81-FIELD-5 Alt Name1: NGC3031	RA: 09 55 13.8590 (148.8077458d) Dec: +69 12 22.66 (69.20629d) Equinox: J2000 Plate Id: (?)	Radial Velocity: -35.0 km/sec	V=26.0+/-0.0	Coordinate Source: IMAGE_TIED_TO_GSC_FRAME				
	<i>Comments: V mag is for the detection limit.</i>									
Exposures	#	Label	Target	Config,Mode,Aperture	Spectral Els.	Opt. Params.	Special Reqs.	Groups	Exp. Time/[Actual Dur.]	Orbit
	1		(5) M81-FIELD-5	ACS/WFC, ACCUM, WFCENTER	F435W	CR-SPLIT=NO; PAREXP=DEF; GAIN=2	POS TARG 0,0	Pattern 1-4 (1) Prime + Parallel Group 1-4	360.0 Secs [=>600.0 Secs (Pattern 1)] [=>600.0 Secs (Pattern 2)]	[1]
	2		(5) M81-FIELD-5	ACS/WFC, ACCUM, WFCENTER	F606W	CR-SPLIT=NO; PAREXP=DEF; GAIN=2	POS TARG 0,0	Pattern 1-4 (1) Prime + Parallel Group 1-4	360.0 Secs [=>600.0 Secs (Pattern 1)] [=>600.0 Secs (Pattern 2)]	[1]
	3		(5) M81-FIELD-5	WFPC2, IMAGE, WFALL-FIX	F300W	CR-SPLIT=NO		Pattern 1-4 (1) Prime + Parallel Group 1-4	500.0 Secs [=>(Pattern 1)] [=>(Pattern 2)]	[1]
	4		(5) M81-FIELD-5	WFPC2, IMAGE, WFALL-FIX	F300W	CR-SPLIT=NO		Pattern 1-4 (1) Prime + Parallel Group 1-4	500.0 Secs [=>(Pattern 1)] [=>(Pattern 2)]	[1]

Proposal 10584 - Visit 04 - The link between X-ray source and stellar populations in M81

Mon Jun 20 15:06:36 GMT 2005

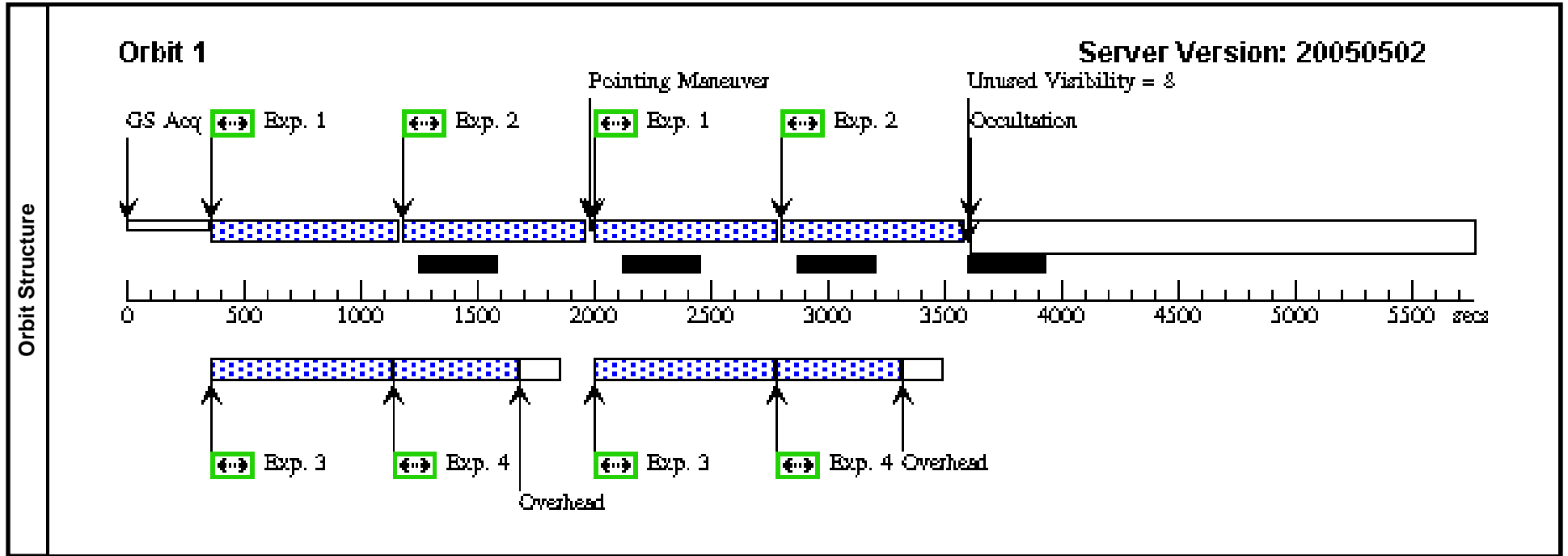
Visit	Proposal 10584, Visit 04 Diagnostic Status: No Diagnostics Scientific Instruments: ACS/WFC, WFPC2 Special Requirements: ORIENT 330.0D TO 340.0 D; ORIENT 240.0D TO 250.0 D; ORIENT 150.0D TO 160.0 D; ORIENT 60.0D TO 70.0 D Comments: We would like all observations to be performed with the same orientation. Preferred U3 angle is 335 degrees (90 or 180 degree rotations from this angle are also OK).									
	Patterns	#	Primary Pattern			Secondary Pattern			Exposures	
		(1)	Pattern Type=ACS-WFC-DITHER-LINE Purpose=DITHER Number Of Points=2 Point Spacing=3.011 Line Spacing=	Coordinate Frame=POS-TARG Pattern Orientation=85.3 Angle Between Sides= Center Pattern=false					(1-4)	
Fixed Targets	#	Name	Target Coordinates	Targ. Coord. Corrections	Fluxes	Miscellaneous				
	(6)	M81-FIELD-6 Alt Name1: NGC3031	RA: 09 55 46.4360 (148.9434833d) Dec: +69 13 40.03 (69.22779d) Equinox: J2000 Plate Id: (?)	Radial Velocity: -35.0 km/sec	V=26.0+/-0.0	Coordinate Source: IMAGE_TIED_TO_GSC_FRAME				
	Comments: V mag is for the detection limit.									
Exposures	#	Label	Target	Config,Mode,Aperture	Spectral Els.	Opt. Params.	Special Reqs.	Groups	Exp. Time/[Actual Dur.]	Orbit
	1		(6) M81-FIELD-6	ACS/WFC, ACCUM, WFCENTER	F435W	CR-SPLIT=NO; PAREXP=DEF; GAIN=2	POS TARG 0,0	Pattern 1-4 (1) Prime + Parallel Group 1-4	360.0 Secs [==>600.0 Secs (Pattern 1)] [==>600.0 Secs (Pattern 2)]	[1]
	2		(6) M81-FIELD-6	ACS/WFC, ACCUM, WFCENTER	F606W	CR-SPLIT=NO; PAREXP=DEF; GAIN=2	POS TARG 0,0	Pattern 1-4 (1) Prime + Parallel Group 1-4	360.0 Secs [==>600.0 Secs (Pattern 1)] [==>600.0 Secs (Pattern 2)]	[1]
	3		(6) M81-FIELD-6	WFPC2, IMAGE, WFALL-FIX	F300W	CR-SPLIT=NO		Pattern 1-4 (1) Prime + Parallel Group 1-4	500.0 Secs [==>(Pattern 1)] [==>(Pattern 2)]	[1]
	4		(6) M81-FIELD-6	WFPC2, IMAGE, WFALL-FIX	F300W	CR-SPLIT=NO		Pattern 1-4 (1) Prime + Parallel Group 1-4	500.0 Secs [==>(Pattern 1)] [==>(Pattern 2)]	[1]



Proposal 10584 - Visit 05 - The link between X-ray source and stellar populations in M81

Mon Jun 20 15:06:37 GMT 2005

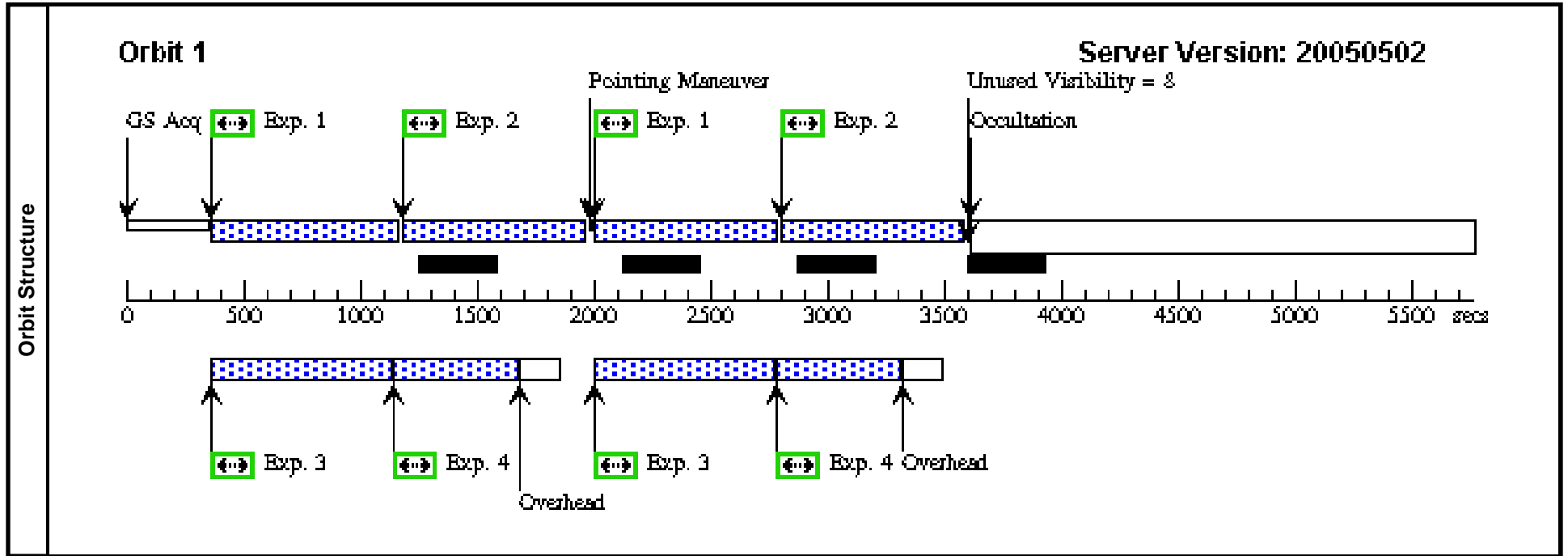
Visit	Proposal 10584, Visit 05 Diagnostic Status: No Diagnostics Scientific Instruments: ACS/WFC, WFPC2 Special Requirements: ORIENT 330.0D TO 340.0 D; ORIENT 240.0D TO 250.0 D; ORIENT 150.0D TO 160.0 D; ORIENT 60.0D TO 70.0 D Comments: We would like all observations to be performed with the same orientation. Preferred U3 angle is 335 degrees (90 or 180 degree rotations from this angle are also OK).									
	Patterns	#	Primary Pattern			Secondary Pattern			Exposures	
		(1)	Pattern Type=ACS-WFC-DITHER-LINE Purpose=DITHER Number Of Points=2 Point Spacing=3.011 Line Spacing=	Coordinate Frame=POS-TARG Pattern Orientation=85.3 Angle Between Sides= Center Pattern=false					(1-4)	
Fixed Targets	#	Name	Target Coordinates	Targ. Coord. Corrections	Fluxes	Miscellaneous				
	(7)	M81-FIELD-7 Alt Name1: NGC3031	RA: 09 54 23.2300 (148.5967917d) Dec: +69 06 54.39 (69.11511d) Equinox: J2000 Plate Id: (?)	Radial Velocity: -35.0 km/sec	V=26.0+/-0.0	Coordinate Source: IMAGE_TIED_TO_GSC_FRAME				
	Comments: V mag is for the detection limit.									
Exposures	#	Label	Target	Config,Mode,Aperture	Spectral Els.	Opt. Params.	Special Reqs.	Groups	Exp. Time/[Actual Dur.]	Orbit
	1		(7) M81-FIELD-7	ACS/WFC, ACCUM, WFCENTER	F435W	CR-SPLIT=NO; PAREXP=DEF; GAIN=2	POS TARG 0,0	Pattern 1-4 (1) Prime + Parallel Group 1-4	360.0 Secs [=>600.0 Secs (Pattern 1)] [=>600.0 Secs (Pattern 2)]	[1]
	2		(7) M81-FIELD-7	ACS/WFC, ACCUM, WFCENTER	F606W	CR-SPLIT=NO; PAREXP=DEF; GAIN=2	POS TARG 0,0	Pattern 1-4 (1) Prime + Parallel Group 1-4	360.0 Secs [=>600.0 Secs (Pattern 1)] [=>600.0 Secs (Pattern 2)]	[1]
	3		(7) M81-FIELD-7	WFPC2, IMAGE, WFALL-FIX	F300W	CR-SPLIT=NO		Pattern 1-4 (1) Prime + Parallel Group 1-4	500.0 Secs [=>(Pattern 1)] [=>(Pattern 2)]	[1]
	4		(7) M81-FIELD-7	WFPC2, IMAGE, WFALL-FIX	F300W	CR-SPLIT=NO		Pattern 1-4 (1) Prime + Parallel Group 1-4	500.0 Secs [=>(Pattern 1)] [=>(Pattern 2)]	[1]



Proposal 10584 - Visit 06 - The link between X-ray source and stellar populations in M81

Mon Jun 20 15:06:38 GMT 2005

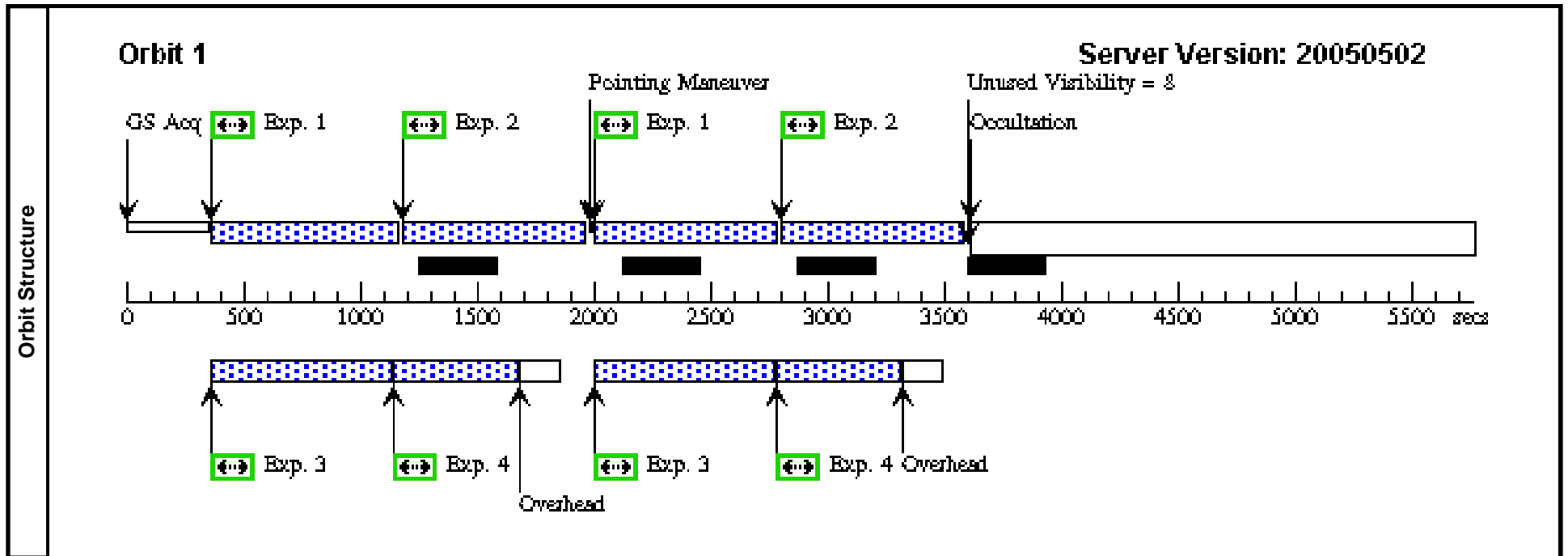
Visit	Proposal 10584, Visit 06 Diagnostic Status: No Diagnostics Scientific Instruments: ACS/WFC, WFPC2 Special Requirements: ORIENT 330.0D TO 340.0 D; ORIENT 240.0D TO 250.0 D; ORIENT 150.0D TO 160.0 D; ORIENT 60.0D TO 70.0 D Comments: We would like all observations to be performed with the same orientation. Preferred U3 angle is 335 degrees (90 or 180 degree rotations from this angle are also OK).									
	Patterns	#	Primary Pattern			Secondary Pattern			Exposures	
		(1)	Pattern Type=ACS-WFC-DITHER-LINE Purpose=DITHER Number Of Points=2 Point Spacing=3.011 Line Spacing=	Coordinate Frame=POS-TARG Pattern Orientation=85.3 Angle Between Sides= Center Pattern=false					(1-4)	
Fixed Targets	#	Name	Target Coordinates	Targ. Coord. Corrections	Fluxes	Miscellaneous				
	(8)	M81-FIELD-8 Alt Name1: NGC3031	RA: 09 54 55.8070 (148.7325292d) Dec: +69 08 11.76 (69.13660d) Equinox: J2000 Plate Id: (?)	Radial Velocity: -35.0 km/sec	V=26.0+/-0.0	Coordinate Source: IMAGE_TIED_TO_GSC_FRAME				
	Comments: V mag is for the detection limit.									
Exposures	#	Label	Target	Config,Mode,Aperture	Spectral Els.	Opt. Params.	Special Reqs.	Groups	Exp. Time/[Actual Dur.]	Orbit
	1		(8) M81-FIELD-8	ACS/WFC, ACCUM, WFCENTER	F435W	CR-SPLIT=NO; PAREXP=DEF; GAIN=2	POS TARG 0,0	Pattern 1-4 (1) Prime + Parallel Group 1-4	360.0 Secs [=>600.0 Secs (Pattern 1)] [=>600.0 Secs (Pattern 2)]	[1]
	2		(8) M81-FIELD-8	ACS/WFC, ACCUM, WFCENTER	F606W	CR-SPLIT=NO; PAREXP=DEF; GAIN=2	POS TARG 0,0	Pattern 1-4 (1) Prime + Parallel Group 1-4	360.0 Secs [=>600.0 Secs (Pattern 1)] [=>600.0 Secs (Pattern 2)]	[1]
	3		(8) M81-FIELD-8	WFPC2, IMAGE, WFALL-FIX	F300W	CR-SPLIT=NO		Pattern 1-4 (1) Prime + Parallel Group 1-4	500.0 Secs [=>(Pattern 1)] [=>(Pattern 2)]	[1]
	4		(8) M81-FIELD-8	WFPC2, IMAGE, WFALL-FIX	F300W	CR-SPLIT=NO		Pattern 1-4 (1) Prime + Parallel Group 1-4	500.0 Secs [=>(Pattern 1)] [=>(Pattern 2)]	[1]



Proposal 10584 - Visit 07 - The link between X-ray source and stellar populations in M81

Mon Jun 20 15:06:39 GMT 2005

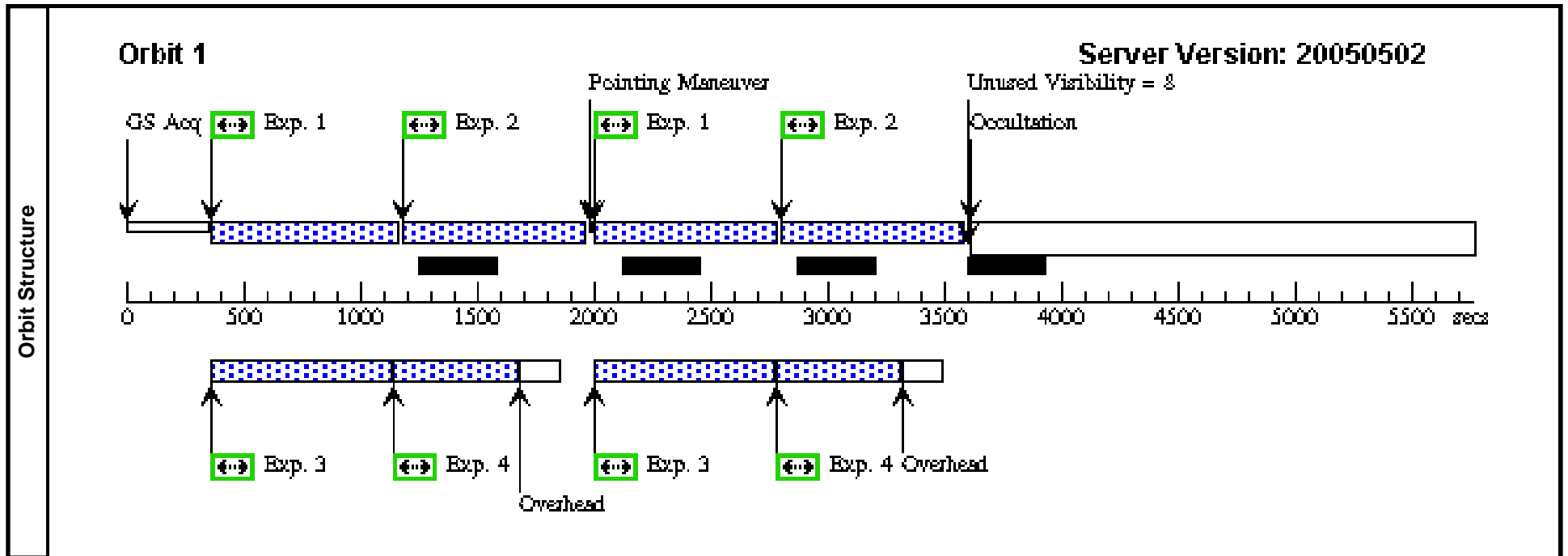
Visit	Proposal 10584, Visit 07 Diagnostic Status: No Diagnostics Scientific Instruments: ACS/WFC, WFPC2 Special Requirements: ORIENT 330.0D TO 340.0 D; ORIENT 240.0D TO 250.0 D; ORIENT 150.0D TO 160.0 D; ORIENT 60.0D TO 70.0 D Comments: We would like all observations to be performed with the same orientation. Preferred U3 angle is 335 degrees (90 or 180 degree rotations from this angle are also OK).									
	Patterns	#	Primary Pattern			Secondary Pattern			Exposures	
		(1)	Pattern Type=ACS-WFC-DITHER-LINE Purpose=DITHER Number Of Points=2 Point Spacing=3.011 Line Spacing=	Coordinate Frame=POS-TARG Pattern Orientation=85.3 Angle Between Sides= Center Pattern=false					(1-4)	
Fixed Targets	#	Name	Target Coordinates	Targ. Coord. Corrections	Fluxes	Miscellaneous				
	(9)	M81-FIELD-9 Alt Name1: NGC3031	RA: 09 55 28.3830 (148.8682625d) Dec: +69 09 29.12 (69.15809d) Equinox: J2000 Plate Id: (?)	Radial Velocity: -35.0 km/sec	V=26.0+/-0.0	Coordinate Source: IMAGE_TIED_TO_GSC_FRAME				
	Comments: V mag is for the detection limit.									
Exposures	#	Label	Target	Config,Mode,Aperture	Spectral Els.	Opt. Params.	Special Reqs.	Groups	Exp. Time/[Actual Dur.]	Orbit
	1		(9) M81-FIELD-9	ACS/WFC, ACCUM, WFCENTER	F435W	CR-SPLIT=NO; PAREXP=DEF; GAIN=2	POS TARG 0,0	Pattern 1-4 (1) Prime + Parallel Group 1-4	360.0 Secs [=>600.0 Secs (Pattern 1)] [=>600.0 Secs (Pattern 2)]	[1]
	2		(9) M81-FIELD-9	ACS/WFC, ACCUM, WFCENTER	F606W	CR-SPLIT=NO; PAREXP=DEF; GAIN=2	POS TARG 0,0	Pattern 1-4 (1) Prime + Parallel Group 1-4	360.0 Secs [=>600.0 Secs (Pattern 1)] [=>600.0 Secs (Pattern 2)]	[1]
	3		(9) M81-FIELD-9	WFPC2, IMAGE, WFALL-FIX	F300W	CR-SPLIT=NO		Pattern 1-4 (1) Prime + Parallel Group 1-4	500.0 Secs [=>(Pattern 1)] [=>(Pattern 2)]	[1]
	4		(9) M81-FIELD-9	WFPC2, IMAGE, WFALL-FIX	F300W	CR-SPLIT=NO		Pattern 1-4 (1) Prime + Parallel Group 1-4	500.0 Secs [=>(Pattern 1)] [=>(Pattern 2)]	[1]



Proposal 10584 - Visit 08 - The link between X-ray source and stellar populations in M81

Mon Jun 20 15:06:41 GMT 2005

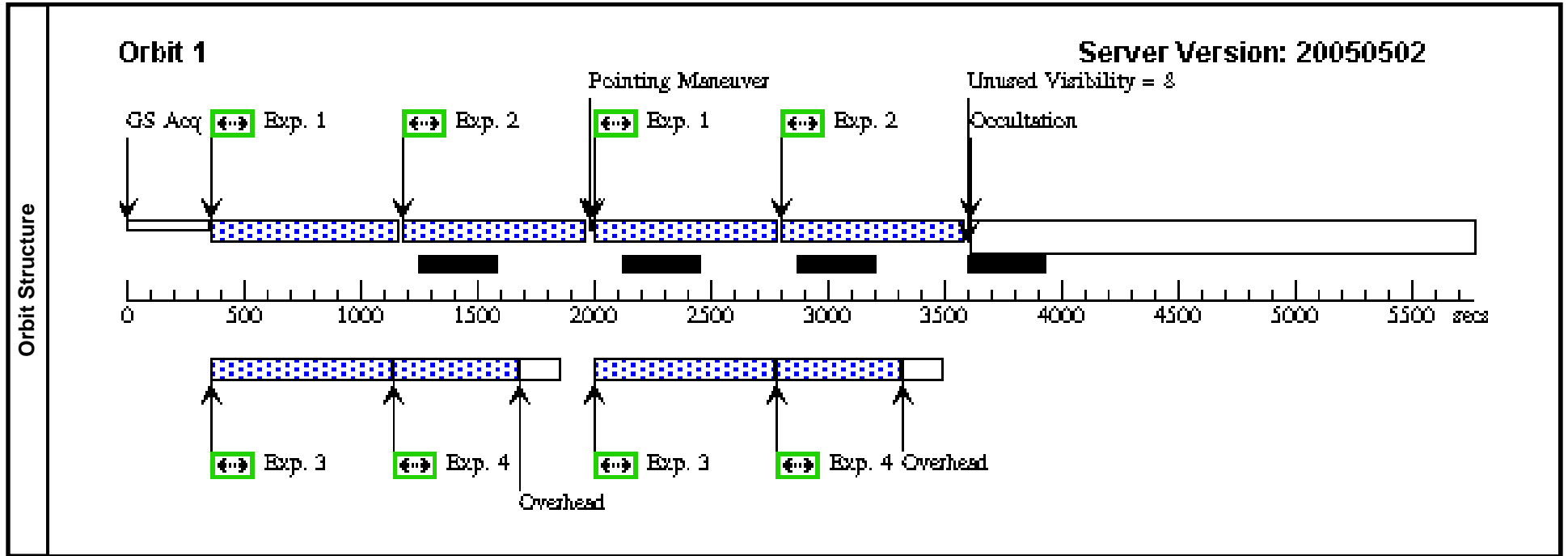
Visit	Proposal 10584, Visit 08 Diagnostic Status: No Diagnostics Scientific Instruments: ACS/WFC, WFPC2 Special Requirements: ORIENT 330.0D TO 340.0 D; ORIENT 240.0D TO 250.0 D; ORIENT 150.0D TO 160.0 D; ORIENT 60.0D TO 70.0 D Comments: We would like all observations to be performed with the same orientation. Preferred U3 angle is 335 degrees (90 or 180 degree rotations from this angle are also OK).									
	Patterns	#	Primary Pattern			Secondary Pattern			Exposures	
		(1)	Pattern Type=ACS-WFC-DITHER-LINE Purpose=DITHER Number Of Points=2 Point Spacing=3.011 Line Spacing=	Coordinate Frame=POS-TARG Pattern Orientation=85.3 Angle Between Sides= Center Pattern=false					(1-4)	
Fixed Targets	#	Name	Target Coordinates	Targ. Coord. Corrections	Fluxes	Miscellaneous				
	(10)	M81-FIELD-10 Alt Name1: NGC3031	RA: 09 56 0.9600 (149.0040000d) Dec: +69 10 46.49 (69.17958d) Equinox: J2000 Plate Id: (?)	Radial Velocity: -35.0 km/sec	V=26.0+/-0.0	Coordinate Source: IMAGE_TIED_TO_GSC_FRAME				
	Comments: V mag is for the detection limit.									
Exposures	#	Label	Target	Config,Mode,Aperture	Spectral Els.	Opt. Params.	Special Reqs.	Groups	Exp. Time/[Actual Dur.]	Orbit
	1		(10) M81-FIELD-10	ACS/WFC, ACCUM, WFCENTER	F435W	CR-SPLIT=NO; PAREXP=DEF; GAIN=2	POS TARG 0,0	Pattern 1-4 (1) Prime + Parallel Group 1-4	360.0 Secs [=>600.0 Secs (Pattern 1)] [=>600.0 Secs (Pattern 2)]	[1]
	2		(10) M81-FIELD-10	ACS/WFC, ACCUM, WFCENTER	F606W	CR-SPLIT=NO; PAREXP=DEF; GAIN=2	POS TARG 0,0	Pattern 1-4 (1) Prime + Parallel Group 1-4	360.0 Secs [=>600.0 Secs (Pattern 1)] [=>600.0 Secs (Pattern 2)]	[1]
	3		(10) M81-FIELD-10	WFPC2, IMAGE, WFALL-FIX	F300W	CR-SPLIT=NO		Pattern 1-4 (1) Prime + Parallel Group 1-4	500.0 Secs [=>(Pattern 1)] [=>(Pattern 2)]	[1]
	4		(10) M81-FIELD-10	WFPC2, IMAGE, WFALL-FIX	F300W	CR-SPLIT=NO		Pattern 1-4 (1) Prime + Parallel Group 1-4	500.0 Secs [=>(Pattern 1)] [=>(Pattern 2)]	[1]



Proposal 10584 - Visit 09 - The link between X-ray source and stellar populations in M81

Mon Jun 20 15:06:41 GMT 2005

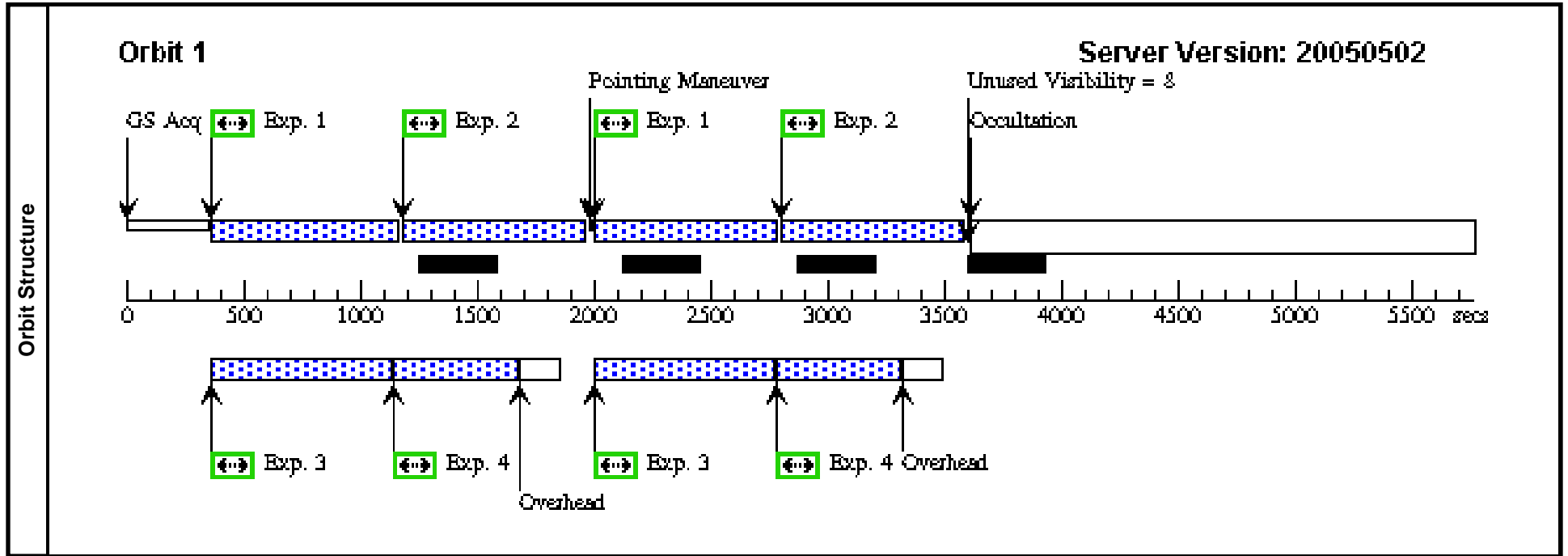
Visit	Proposal 10584, Visit 09 Diagnostic Status: No Diagnostics Scientific Instruments: ACS/WFC, WFPC2 Special Requirements: ORIENT 330.0D TO 340.0 D; ORIENT 240.0D TO 250.0 D; ORIENT 150.0D TO 160.0 D; ORIENT 60.0D TO 70.0 D Comments: We would like all observations to be performed with the same orientation. Preferred U3 angle is 335 degrees (90 or 180 degree rotations from this angle are also OK).									
	Patterns	#	Primary Pattern			Secondary Pattern			Exposures	
		(1)	Pattern Type=ACS-WFC-DITHER-LINE Purpose=DITHER Number Of Points=2 Point Spacing=3.011 Line Spacing=	Coordinate Frame=POS-TARG Pattern Orientation=85.3 Angle Between Sides= Center Pattern=false					(1-4)	
Fixed Targets	#	Name	Target Coordinates	Targ. Coord. Corrections	Fluxes	Miscellaneous				
	(11)	M81-FIELD-11 Alt Name1: NGC3031	RA: 09 54 37.7540 (148.6573083d) Dec: +69 04 0.85 (69.06690d) Equinox: J2000 Plate Id: (?)	Radial Velocity: -35.0 km/sec	V=26.0+/-0.0	Coordinate Source: IMAGE_TIED_TO_GSC_FRAME				
	Comments: V mag is for the detection limit.									
Exposures	#	Label	Target	Config,Mode,Aperture	Spectral Els.	Opt. Params.	Special Reqs.	Groups	Exp. Time/[Actual Dur.]	Orbit
	1		(11) M81-FIELD-11	ACS/WFC, ACCUM, WFCENTER	F435W	CR-SPLIT=NO; PAREXP=DEF; GAIN=2	POS TARG 0,0	Pattern 1-4 (1) Prime + Parallel Group 1-4	360.0 Secs [==>600.0 Secs (Pattern 1)] [==>600.0 Secs (Pattern 2)]	[1]
	2		(11) M81-FIELD-11	ACS/WFC, ACCUM, WFCENTER	F606W	CR-SPLIT=NO; PAREXP=DEF; GAIN=2	POS TARG 0,0	Pattern 1-4 (1) Prime + Parallel Group 1-4	360.0 Secs [==>600.0 Secs (Pattern 1)] [==>600.0 Secs (Pattern 2)]	[1]
	3		(11) M81-FIELD-11	WFPC2, IMAGE, WFALL-FIX	F300W	CR-SPLIT=NO		Pattern 1-4 (1) Prime + Parallel Group 1-4	500.0 Secs [==>(Pattern 1)] [==>(Pattern 2)]	[1]
	4		(11) M81-FIELD-11	WFPC2, IMAGE, WFALL-FIX	F300W	CR-SPLIT=NO		Pattern 1-4 (1) Prime + Parallel Group 1-4	500.0 Secs [==>(Pattern 1)] [==>(Pattern 2)]	[1]



Proposal 10584 - Visit 10 - The link between X-ray source and stellar populations in M81

Mon Jun 20 15:06:42 GMT 2005

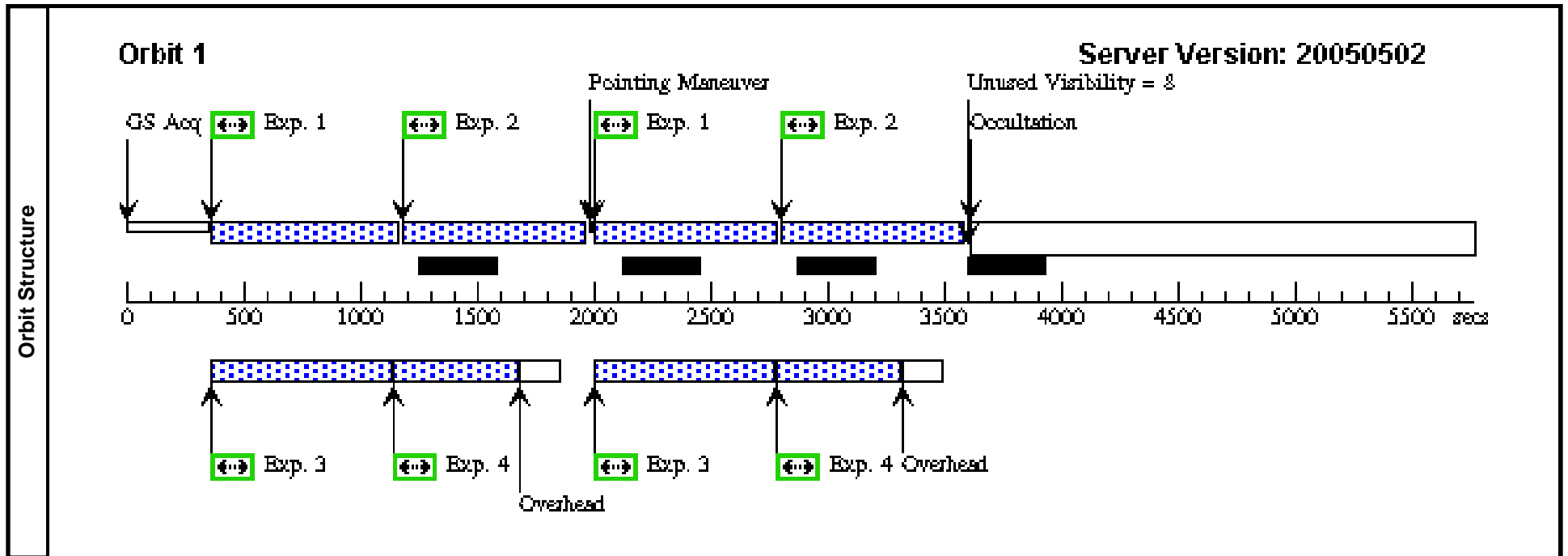
Visit	Proposal 10584, Visit 10 Diagnostic Status: No Diagnostics Scientific Instruments: ACS/WFC, WFPC2 Special Requirements: ORIENT 330.0D TO 340.0 D; ORIENT 240.0D TO 250.0 D; ORIENT 150.0D TO 160.0 D; ORIENT 60.0D TO 70.0 D Comments: We would like all observations to be performed with the same orientation. Preferred U3 angle is 335 degrees (90 or 180 degree rotations from this angle are also OK).									
	Patterns	#	Primary Pattern			Secondary Pattern			Exposures	
		(1)	Pattern Type=ACS-WFC-DITHER-LINE Purpose=DITHER Number Of Points=2 Point Spacing=3.011 Line Spacing=	Coordinate Frame=POS-TARG Pattern Orientation=85.3 Angle Between Sides= Center Pattern=false					(1-4)	
Fixed Targets	#	Name	Target Coordinates	Targ. Coord. Corrections	Fluxes	Miscellaneous				
	(12)	M81-FIELD-12 Alt Name1: NGC3031	RA: 09 55 10.3310 (148.7930458d) Dec: +69 05 18.22 (69.08839d) Equinox: J2000 Plate Id: (?)	Radial Velocity: -35.0 km/sec	V=26.0+/-0.0	Coordinate Source: IMAGE_TIED_TO_GSC_FRAME				
	Comments: V mag is for the detection limit.									
Exposures	#	Label	Target	Config,Mode,Aperture	Spectral Els.	Opt. Params.	Special Reqs.	Groups	Exp. Time/[Actual Dur.]	Orbit
	1		(12) M81-FIELD-12	ACS/WFC, ACCUM, WFCENTER	F435W	CR-SPLIT=NO; PAREXP=DEF; GAIN=2	POS TARG 0,0	Pattern 1-4 (1) Prime + Parallel Group 1-4	360.0 Secs [=>600.0 Secs (Pattern 1)] [=>600.0 Secs (Pattern 2)]	[1]
	2		(12) M81-FIELD-12	ACS/WFC, ACCUM, WFCENTER	F606W	CR-SPLIT=NO; PAREXP=DEF; GAIN=2	POS TARG 0,0	Pattern 1-4 (1) Prime + Parallel Group 1-4	360.0 Secs [=>600.0 Secs (Pattern 1)] [=>600.0 Secs (Pattern 2)]	[1]
	3		(12) M81-FIELD-12	WFPC2, IMAGE, WFALL-FIX	F300W	CR-SPLIT=NO		Pattern 1-4 (1) Prime + Parallel Group 1-4	500.0 Secs [=>(Pattern 1)] [=>(Pattern 2)]	[1]
	4		(12) M81-FIELD-12	WFPC2, IMAGE, WFALL-FIX	F300W	CR-SPLIT=NO		Pattern 1-4 (1) Prime + Parallel Group 1-4	500.0 Secs [=>(Pattern 1)] [=>(Pattern 2)]	[1]



Proposal 10584 - Visit 11 - The link between X-ray source and stellar populations in M81

Mon Jun 20 15:06:43 GMT 2005

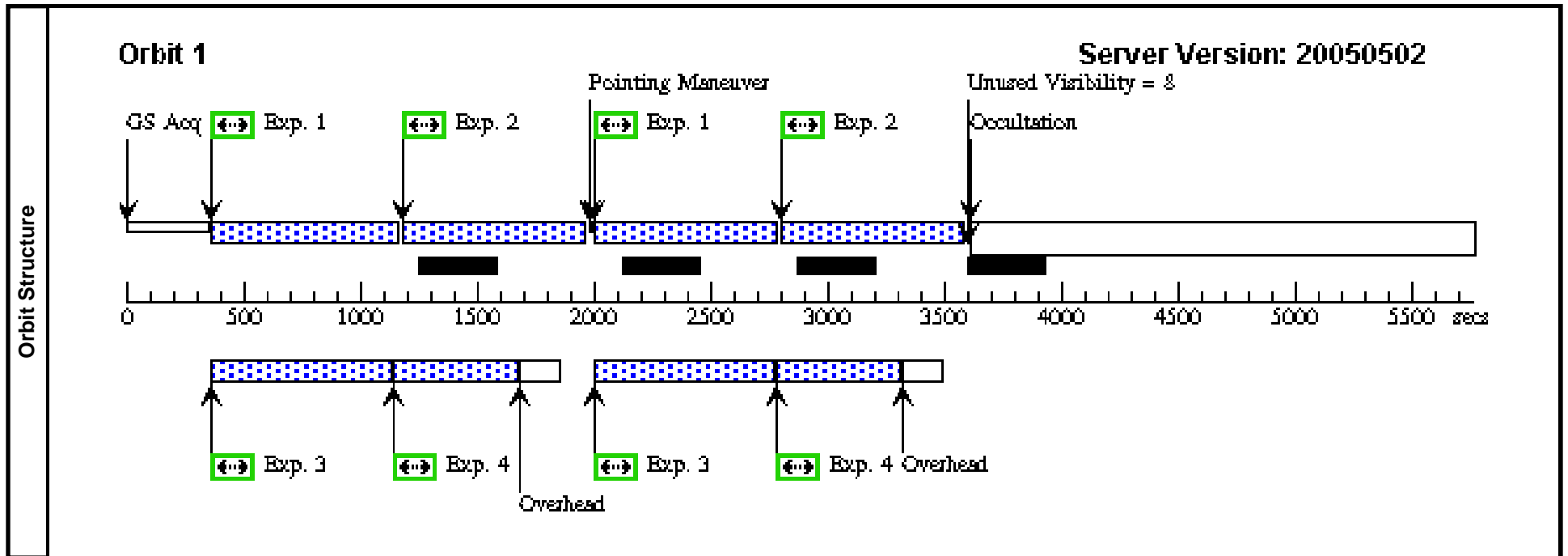
Visit	Proposal 10584, Visit 11 Diagnostic Status: No Diagnostics Scientific Instruments: ACS/WFC, WFPC2 Special Requirements: ORIENT 330.0D TO 340.0 D; ORIENT 240.0D TO 250.0 D; ORIENT 150.0D TO 160.0 D; ORIENT 60.0D TO 70.0 D Comments: We would like all observations to be performed with the same orientation. Preferred U3 angle is 335 degrees (90 or 180 degree rotations from this angle are also OK).									
	Patterns	#	Primary Pattern			Secondary Pattern			Exposures	
		(1)	Pattern Type=ACS-WFC-DITHER-LINE Purpose=DITHER Number Of Points=2 Point Spacing=3.011 Line Spacing=	Coordinate Frame=POS-TARG Pattern Orientation=85.3 Angle Between Sides= Center Pattern=false					(1-4)	
Fixed Targets	#	Name	Target Coordinates	Targ. Coord. Corrections	Fluxes	Miscellaneous				
	(13)	M81-FIELD-13 Alt Name1: NGC3031	RA: 09 55 42.9070 (148.9287792d) Dec: +69 06 35.59 (69.10989d) Equinox: J2000 Plate Id: (?)	Radial Velocity: -35.0 km/sec	V=26.0+/-0.0	Coordinate Source: IMAGE_TIED_TO_GSC_FRAME				
	Comments: V mag is for the detection limit.									
Exposures	#	Label	Target	Config,Mode,Aperture	Spectral Els.	Opt. Params.	Special Reqs.	Groups	Exp. Time/[Actual Dur.]	Orbit
	1		(13) M81-FIELD-13	ACS/WFC, ACCUM, WFCENTER	F435W	CR-SPLIT=NO; PAREXP=DEF; GAIN=2	POS TARG 0,0	Pattern 1-4 (1) Prime + Parallel Group 1-4	360.0 Secs [=>600.0 Secs (Pattern 1)] [=>600.0 Secs (Pattern 2)]	[1]
	2		(13) M81-FIELD-13	ACS/WFC, ACCUM, WFCENTER	F606W	CR-SPLIT=NO; PAREXP=DEF; GAIN=2	POS TARG 0,0	Pattern 1-4 (1) Prime + Parallel Group 1-4	360.0 Secs [=>600.0 Secs (Pattern 1)] [=>600.0 Secs (Pattern 2)]	[1]
	3		(13) M81-FIELD-13	WFPC2, IMAGE, WFALL-FIX	F300W	CR-SPLIT=NO		Pattern 1-4 (1) Prime + Parallel Group 1-4	500.0 Secs [=>(Pattern 1)] [=>(Pattern 2)]	[1]
	4		(13) M81-FIELD-13	WFPC2, IMAGE, WFALL-FIX	F300W	CR-SPLIT=NO		Pattern 1-4 (1) Prime + Parallel Group 1-4	500.0 Secs [=>(Pattern 1)] [=>(Pattern 2)]	[1]



Proposal 10584 - Visit 12 - The link between X-ray source and stellar populations in M81

Mon Jun 20 15:06:44 GMT 2005

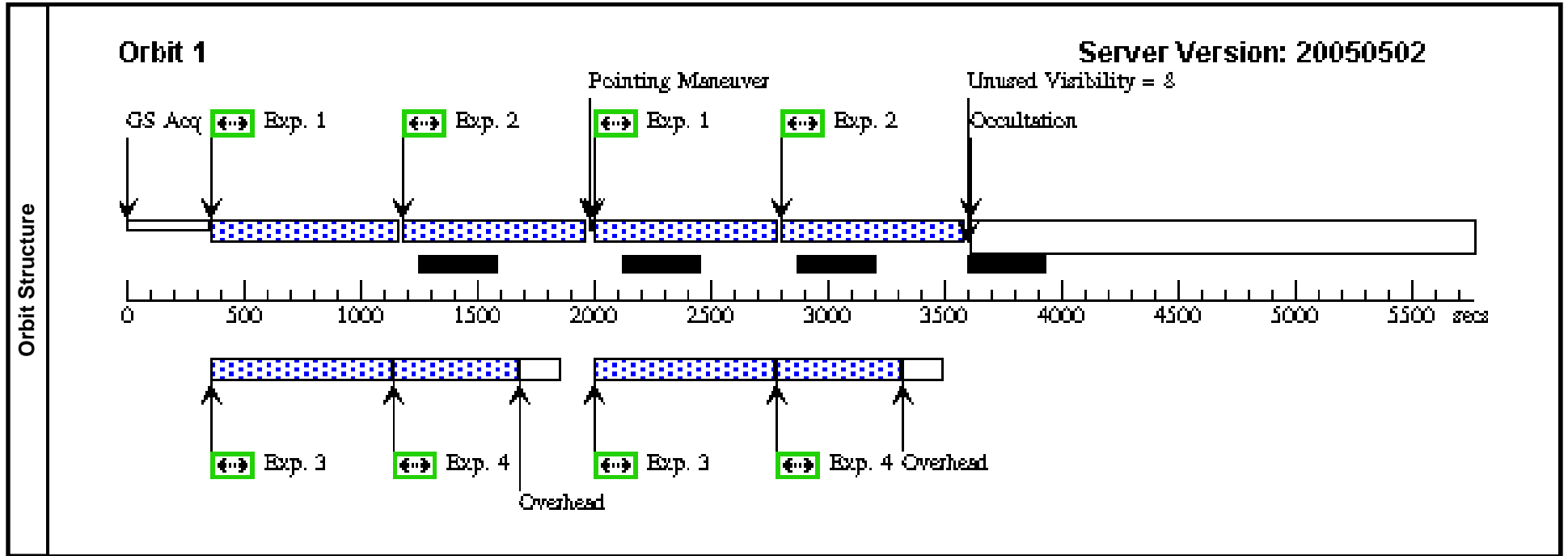
Visit	Proposal 10584, Visit 12 Diagnostic Status: No Diagnostics Scientific Instruments: ACS/WFC, WFPC2 Special Requirements: ORIENT 330.0D TO 340.0 D; ORIENT 240.0D TO 250.0 D; ORIENT 150.0D TO 160.0 D; ORIENT 60.0D TO 70.0 D Comments: We would like all observations to be performed with the same orientation. Preferred U3 angle is 335 degrees (90 or 180 degree rotations from this angle are also OK).OK).									
	Patterns	#	Primary Pattern			Secondary Pattern			Exposures	
		(1)	Pattern Type=ACS-WFC-DITHER-LINE Purpose=DITHER Number Of Points=2 Point Spacing=3.011 Line Spacing=	Coordinate Frame=POS-TARG Pattern Orientation=85.3 Angle Between Sides= Center Pattern=false					(1-4)	
Fixed Targets	#	Name	Target Coordinates	Targ. Coord. Corrections	Fluxes	Miscellaneous				
	(14)	M81-FIELD-14 Alt Name1: NGC3031	RA: 09 56 15.4840 (149.0645167d) Dec: +69 07 52.96 (69.13138d) Equinox: J2000 Plate Id: (?)	Radial Velocity: -35.0 km/sec	V=26.0+/-0.0	Coordinate Source: IMAGE_TIED_TO_GSC_FRAME				
	Comments: V mag is for the detection limit.									
Exposures	#	Label	Target	Config,Mode,Aperture	Spectral Els.	Opt. Params.	Special Reqs.	Groups	Exp. Time/[Actual Dur.]	Orbit
	1		(14) M81-FIELD-14	ACS/WFC, ACCUM, WFCENTER	F435W	CR-SPLIT=NO; PAREXP=DEF; GAIN=2	POS TARG 0,0	Pattern 1-4 (1) Prime + Parallel Group 1-4	360.0 Secs [=>600.0 Secs (Pattern 1)] [=>600.0 Secs (Pattern 2)]	[1]
	2		(14) M81-FIELD-14	ACS/WFC, ACCUM, WFCENTER	F606W	CR-SPLIT=NO; PAREXP=DEF; GAIN=2	POS TARG 0,0	Pattern 1-4 (1) Prime + Parallel Group 1-4	360.0 Secs [=>600.0 Secs (Pattern 1)] [=>600.0 Secs (Pattern 2)]	[1]
	3		(14) M81-FIELD-14	WFPC2, IMAGE, WFALL-FIX	F300W	CR-SPLIT=NO		Pattern 1-4 (1) Prime + Parallel Group 1-4	500.0 Secs [=>(Pattern 1)] [=>(Pattern 2)]	[1]
	4		(14) M81-FIELD-14	WFPC2, IMAGE, WFALL-FIX	F300W	CR-SPLIT=NO		Pattern 1-4 (1) Prime + Parallel Group 1-4	500.0 Secs [=>(Pattern 1)] [=>(Pattern 2)]	[1]



Proposal 10584 - Visit 13 - The link between X-ray source and stellar populations in M81

Mon Jun 20 15:06:45 GMT 2005

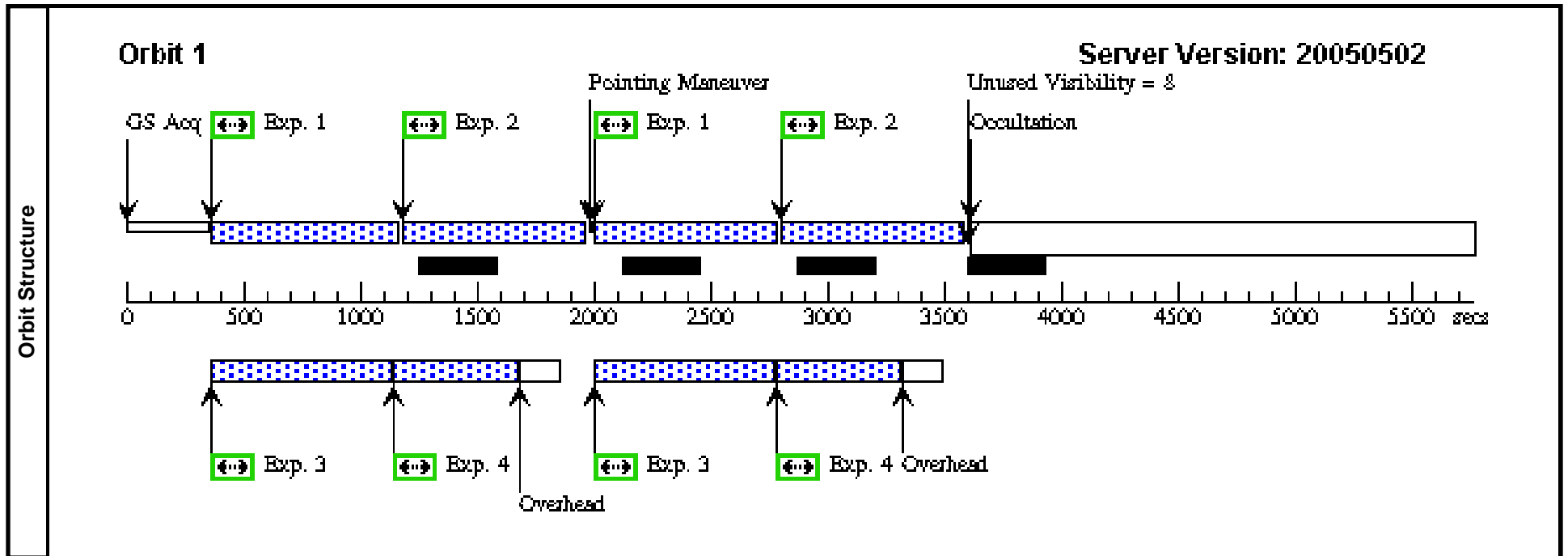
Visit	Proposal 10584, Visit 13 Diagnostic Status: No Diagnostics Scientific Instruments: ACS/WFC, WFPC2 Special Requirements: ORIENT 330.0D TO 340.0 D; ORIENT 240.0D TO 250.0 D; ORIENT 150.0D TO 160.0 D; ORIENT 60.0D TO 70.0 D Comments: We would like all observations to be performed with the same orientation. Preferred U3 angle is 335 degrees (90 or 180 degree rotations from this angle are also OK).K.									
	Patterns	#	Primary Pattern			Secondary Pattern			Exposures	
		(1)	Pattern Type=ACS-WFC-DITHER-LINE Purpose=DITHER Number Of Points=2 Point Spacing=3.011 Line Spacing=	Coordinate Frame=POS-TARG Pattern Orientation=85.3 Angle Between Sides= Center Pattern=false					(1-4)	
Fixed Targets	#	Name	Target Coordinates	Targ. Coord. Corrections	Fluxes	Miscellaneous				
	(15)	M81-FIELD-15 Alt Name1: NGC3031	RA: 09 54 52.2780 (148.7178250d) Dec: +69 01 7.32 (69.01870d) Equinox: J2000 Plate Id: (?)	Radial Velocity: -35.0 km/sec	V=26.0+/-0.0	Coordinate Source: IMAGE_TIED_TO_GSC_FRAME				
	Comments: V mag is for the detection limit.									
Exposures	#	Label	Target	Config,Mode,Aperture	Spectral Els.	Opt. Params.	Special Reqs.	Groups	Exp. Time/[Actual Dur.]	Orbit
	1		(15) M81-FIELD-15	ACS/WFC, ACCUM, WFCENTER	F435W	CR-SPLIT=NO; PAREXP=DEF; GAIN=2	POS TARG 0,0	Pattern 1-4 (1) Prime + Parallel Group 1-4	360.0 Secs [==>600.0 Secs (Pattern 1)] [==>600.0 Secs (Pattern 2)]	[1]
	2		(15) M81-FIELD-15	ACS/WFC, ACCUM, WFCENTER	F606W	CR-SPLIT=NO; PAREXP=DEF; GAIN=2	POS TARG 0,0	Pattern 1-4 (1) Prime + Parallel Group 1-4	360.0 Secs [==>600.0 Secs (Pattern 1)] [==>600.0 Secs (Pattern 2)]	[1]
	3		(15) M81-FIELD-15	WFPC2, IMAGE, WFALL-FIX	F300W	CR-SPLIT=NO		Pattern 1-4 (1) Prime + Parallel Group 1-4	500.0 Secs [==>(Pattern 1)] [==>(Pattern 2)]	[1]
	4		(15) M81-FIELD-15	WFPC2, IMAGE, WFALL-FIX	F300W	CR-SPLIT=NO		Pattern 1-4 (1) Prime + Parallel Group 1-4	500.0 Secs [==>(Pattern 1)] [==>(Pattern 2)]	[1]



Proposal 10584 - Visit 14 - The link between X-ray source and stellar populations in M81

Mon Jun 20 15:06:46 GMT 2005

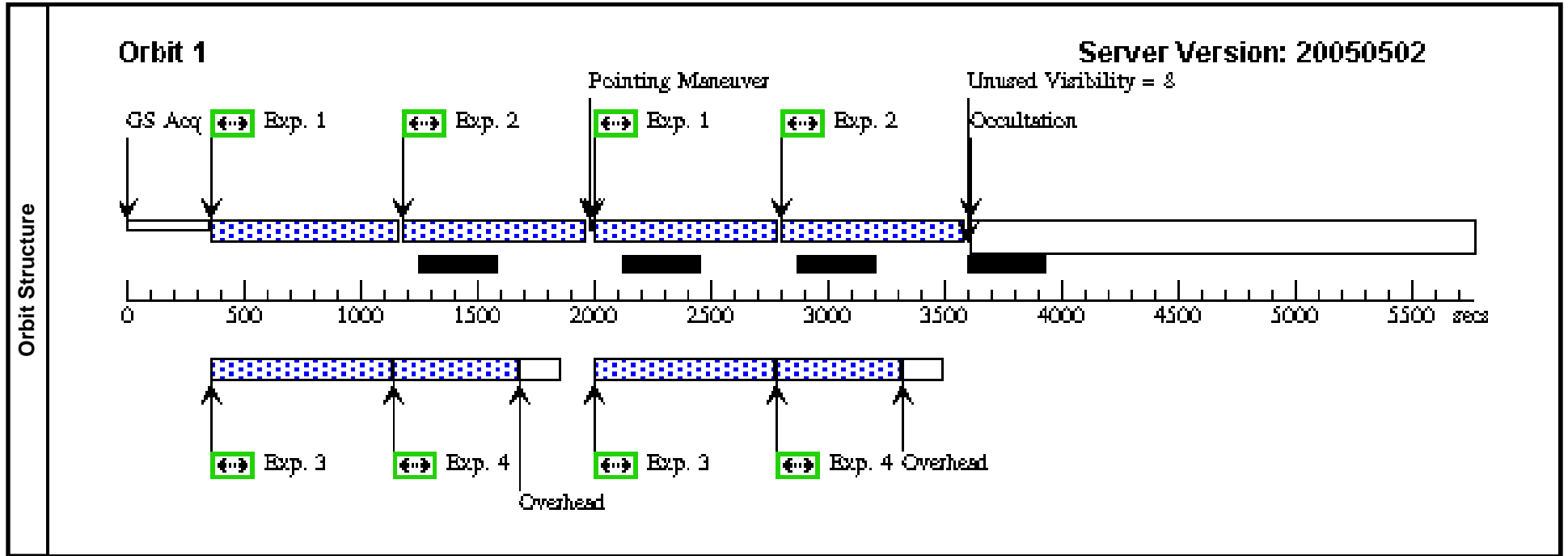
Visit	Proposal 10584, Visit 14 Diagnostic Status: No Diagnostics Scientific Instruments: ACS/WFC, WFPC2 Special Requirements: ORIENT 330.0D TO 340.0 D; ORIENT 240.0D TO 250.0 D; ORIENT 150.0D TO 160.0 D; ORIENT 60.0D TO 70.0 D <i>Comments: We would like all observations to be performed with the same orientation. Preferred U3 angle is 335 degrees (90 or 180 degree rotations from this angle are also OK).</i>									
	Patterns	#	Primary Pattern			Secondary Pattern			Exposures	
		(1)	Pattern Type=ACS-WFC-DITHER-LINE Purpose=DITHER Number Of Points=2 Point Spacing=3.011 Line Spacing=	Coordinate Frame=POS-TARG Pattern Orientation=85.3 Angle Between Sides= Center Pattern=false					(1-4)	
Fixed Targets	#	Name	Target Coordinates	Targ. Coord. Corrections	Fluxes	Miscellaneous				
	(16)	M81-FIELD-16 Alt Name1: NGC3031	RA: 09 55 24.8550 (148.8535625d) Dec: +69 02 24.69 (69.04019d) Equinox: J2000 Plate Id: (?)	Radial Velocity: -35.0 km/sec	V=26.0+/-0.0	Coordinate Source: IMAGE_TIED_TO_GSC_FRAME				
	<i>Comments: V mag is for the detection limit.</i>									
Exposures	#	Label	Target	Config,Mode,Aperture	Spectral Els.	Opt. Params.	Special Reqs.	Groups	Exp. Time/[Actual Dur.]	Orbit
	1		(16) M81-FIELD-16	ACS/WFC, ACCUM, WFCENTER	F435W	CR-SPLIT=NO; PAREXP=DEF; GAIN=2	POS TARG 0,0	Pattern 1-4 (1) Prime + Parallel Group 1-4	360.0 Secs [=>600.0 Secs (Pattern 1)] [=>600.0 Secs (Pattern 2)]	[1]
	2		(16) M81-FIELD-16	ACS/WFC, ACCUM, WFCENTER	F606W	CR-SPLIT=NO; PAREXP=DEF; GAIN=2	POS TARG 0,0	Pattern 1-4 (1) Prime + Parallel Group 1-4	360.0 Secs [=>600.0 Secs (Pattern 1)] [=>600.0 Secs (Pattern 2)]	[1]
	3		(16) M81-FIELD-16	WFPC2, IMAGE, WFALL-FIX	F300W	CR-SPLIT=NO		Pattern 1-4 (1) Prime + Parallel Group 1-4	500.0 Secs [=>(Pattern 1)] [=>(Pattern 2)]	[1]
	4		(16) M81-FIELD-16	WFPC2, IMAGE, WFALL-FIX	F300W	CR-SPLIT=NO		Pattern 1-4 (1) Prime + Parallel Group 1-4	500.0 Secs [=>(Pattern 1)] [=>(Pattern 2)]	[1]



Proposal 10584 - Visit 15 - The link between X-ray source and stellar populations in M81

Mon Jun 20 15:06:47 GMT 2005

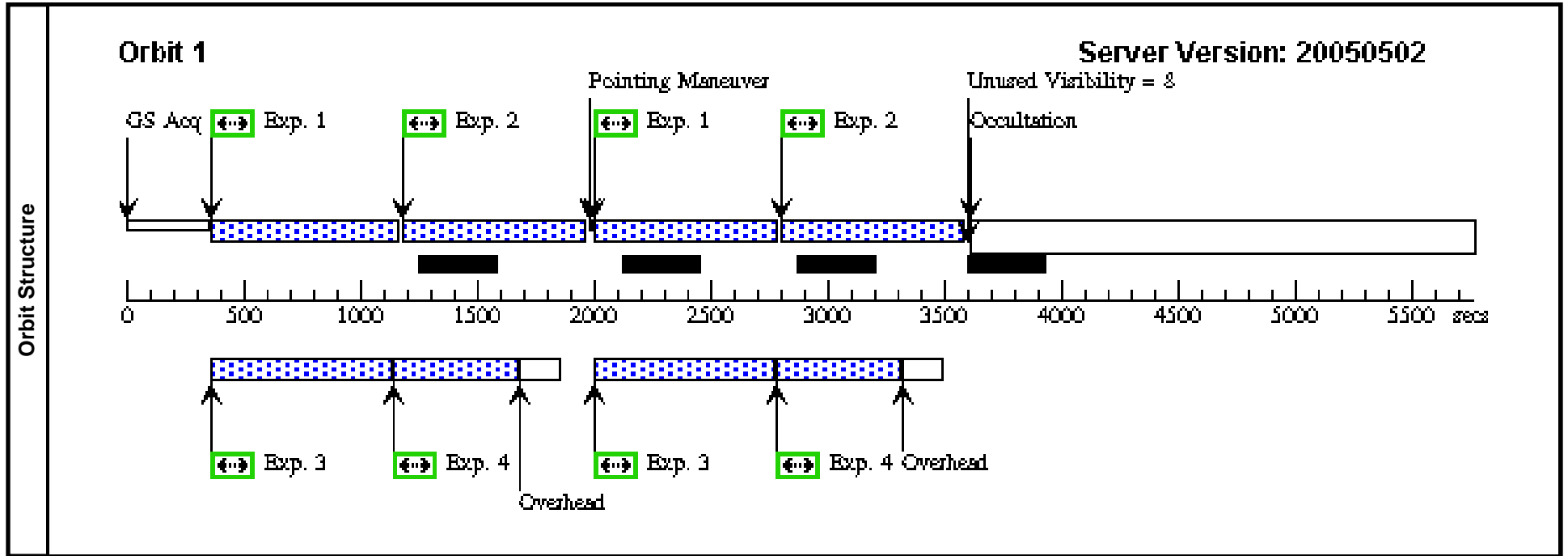
Visit	Proposal 10584, Visit 15 Diagnostic Status: No Diagnostics Scientific Instruments: ACS/WFC, WFPC2 Special Requirements: ORIENT 330.0D TO 340.0 D; ORIENT 240.0D TO 250.0 D; ORIENT 150.0D TO 160.0 D; ORIENT 60.0D TO 70.0 D <i>Comments: We would like all observations to be performed with the same orientation. Preferred U3 angle is 335 degrees (90 or 180 degree rotations from this angle are also OK).</i>									
	Patterns	#	Primary Pattern			Secondary Pattern			Exposures	
		(1)	Pattern Type=ACS-WFC-DITHER-LINE Purpose=DITHER Number Of Points=2 Point Spacing=3.011 Line Spacing=	Coordinate Frame=POS-TARG Pattern Orientation=85.3 Angle Between Sides= Center Pattern=false					(1-4)	
Fixed Targets	#	Name	Target Coordinates	Targ. Coord. Corrections	Fluxes	Miscellaneous				
	(17)	M81-FIELD-17 Alt Name1: NGC3031	RA: 09 55 57.4310 (148.9892958d) Dec: +69 03 42.06 (69.06168d) Equinox: J2000 Plate Id: (?)	Radial Velocity: -35.0 km/sec	V=26.0+/-0.0	Coordinate Source: IMAGE_TIED_TO_GSC_FRAME				
	<i>Comments: V mag is for the detection limit.</i>									
Exposures	#	Label	Target	Config,Mode,Aperture	Spectral Els.	Opt. Params.	Special Reqs.	Groups	Exp. Time/[Actual Dur.]	Orbit
	1		(17) M81-FIELD-17	ACS/WFC, ACCUM, WFCENTER	F435W	CR-SPLIT=NO; PAREXP=DEF; GAIN=2	POS TARG 0,0	Pattern 1-4 (1) Prime + Parallel Group 1-4	360.0 Secs [==>600.0 Secs (Pattern 1)] [==>600.0 Secs (Pattern 2)]	[1]
	2		(17) M81-FIELD-17	ACS/WFC, ACCUM, WFCENTER	F606W	CR-SPLIT=NO; PAREXP=DEF; GAIN=2	POS TARG 0,0	Pattern 1-4 (1) Prime + Parallel Group 1-4	360.0 Secs [==>600.0 Secs (Pattern 1)] [==>600.0 Secs (Pattern 2)]	[1]
	3		(17) M81-FIELD-17	WFPC2, IMAGE, WFALL-FIX	F300W	CR-SPLIT=NO		Pattern 1-4 (1) Prime + Parallel Group 1-4	500.0 Secs [==>(Pattern 1)] [==>(Pattern 2)]	[1]
	4		(17) M81-FIELD-17	WFPC2, IMAGE, WFALL-FIX	F300W	CR-SPLIT=NO		Pattern 1-4 (1) Prime + Parallel Group 1-4	500.0 Secs [==>(Pattern 1)] [==>(Pattern 2)]	[1]



Proposal 10584 - Visit 16 - The link between X-ray source and stellar populations in M81

Mon Jun 20 15:06:48 GMT 2005

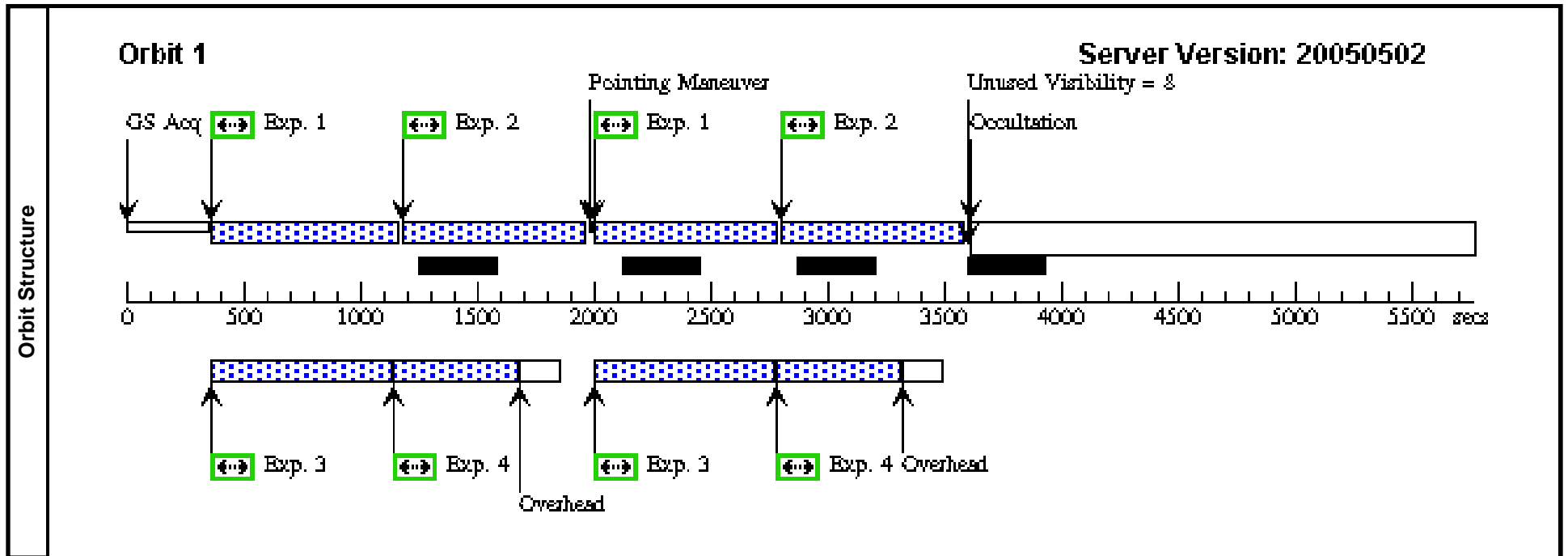
Visit		Proposal 10584, Visit 16 Diagnostic Status: No Diagnostics Scientific Instruments: ACS/WFC, WFPC2 Special Requirements: ORIENT 330.0D TO 340.0 D; ORIENT 240.0D TO 250.0 D; ORIENT 150.0D TO 160.0 D; ORIENT 60.0D TO 70.0 D <i>Comments: We would like all observations to be performed with the same orientation. Preferred U3 angle is 335 degrees (90 or 180 degree rotations from this angle are also OK).</i>								
Patterns	#	Primary Pattern	Secondary Pattern	Exposures						
	(1)	Pattern Type=ACS-WFC-DITHER-LINE Purpose=DITHER Number Of Points=2 Point Spacing=3.011 Line Spacing=	Coordinate Frame=POS-TARG Pattern Orientation=85.3 Angle Between Sides= Center Pattern=false		(1-4)					
Fixed Targets	#	Name	Target Coordinates	Targ. Coord. Corrections	Fluxes	Miscellaneous				
	(18)	M81-FIELD-18 Alt Name1: NGC3031	RA: 09 56 30.0080 (149.1250333d) Dec: +69 04 59.43 (69.08318d) Equinox: J2000 Plate Id: (?)	Radial Velocity: -35.0 km/sec	V=26.0+/-0.0	Coordinate Source: IMAGE_TIED_TO_GSC_FRAME				
<i>Comments: V mag is for the detection limit.</i>										
Exposures	#	Label	Target	Config,Mode,Aperture	Spectral Els.	Opt. Params.	Special Reqs.	Groups	Exp. Time/[Actual Dur.]	Orbit
	1		(18) M81-FIELD-18	ACS/WFC, ACCUM, WFCENTER	F435W	CR-SPLIT=NO; PAREXP=DEF; GAIN=2	POS TARG 0,0	Pattern 1-4 (1) Prime + Parallel Group 1-4	360.0 Secs [=>600.0 Secs (Pattern 1)] [=>600.0 Secs (Pattern 2)]	[1]
	2		(18) M81-FIELD-18	ACS/WFC, ACCUM, WFCENTER	F606W	CR-SPLIT=NO; PAREXP=DEF; GAIN=2	POS TARG 0,0	Pattern 1-4 (1) Prime + Parallel Group 1-4	360.0 Secs [=>600.0 Secs (Pattern 1)] [=>600.0 Secs (Pattern 2)]	[1]
	3		(18) M81-FIELD-18	WFPC2, IMAGE, WFALL-FIX	F300W	CR-SPLIT=NO		Pattern 1-4 (1) Prime + Parallel Group 1-4	500.0 Secs [=>(Pattern 1)] [=>(Pattern 2)]	[1]
	4		(18) M81-FIELD-18	WFPC2, IMAGE, WFALL-FIX	F300W	CR-SPLIT=NO		Pattern 1-4 (1) Prime + Parallel Group 1-4	500.0 Secs [=>(Pattern 1)] [=>(Pattern 2)]	[1]



Proposal 10584 - Visit 17 - The link between X-ray source and stellar populations in M81

Mon Jun 20 15:06:49 GMT 2005

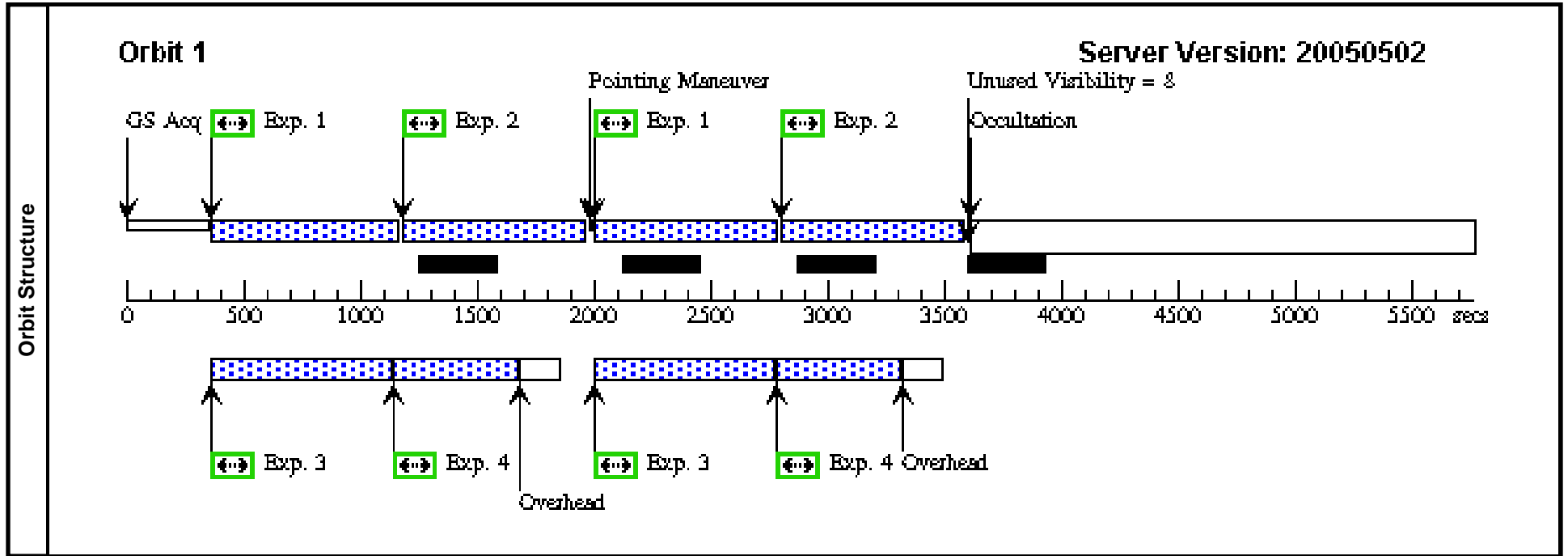
Visit	Proposal 10584, Visit 17 Diagnostic Status: No Diagnostics Scientific Instruments: ACS/WFC, WFPC2 Special Requirements: ORIENT 330.0D TO 340.0 D; ORIENT 240.0D TO 250.0 D; ORIENT 150.0D TO 160.0 D; ORIENT 60.0D TO 70.0 D Comments: We would like all observations to be performed with the same orientation. Preferred U3 angle is 335 degrees (90 or 180 degree rotations from this angle are also OK).									
	Patterns	#	Primary Pattern			Secondary Pattern			Exposures	
		(1)	Pattern Type=ACS-WFC-DITHER-LINE Purpose=DITHER Number Of Points=2 Point Spacing=3.011 Line Spacing=	Coordinate Frame=POS-TARG Pattern Orientation=85.3 Angle Between Sides= Center Pattern=false					(1-4)	
Fixed Targets	#	Name	Target Coordinates	Targ. Coord. Corrections	Fluxes	Miscellaneous				
	(19)	M81-FIELD-19 Alt Name1: NGC3031	RA: 09 55 6.8020 (148.7783417d) Dec: +68 58 13.78 (68.97049d) Equinox: J2000 Plate Id: (?)	Radial Velocity: -35.0 km/sec	V=26.0+/-0.0	Coordinate Source: IMAGE_TIED_TO_GSC_FRAME				
	Comments: V mag is for the detection limit.									
Exposures	#	Label	Target	Config,Mode,Aperture	Spectral Els.	Opt. Params.	Special Reqs.	Groups	Exp. Time/[Actual Dur.]	Orbit
	1		(19) M81-FIELD-19	ACS/WFC, ACCUM, WFCENTER	F435W	CR-SPLIT=NO; PAREXP=DEF; GAIN=2	POS TARG 0,0	Pattern 1-4 (1) Prime + Parallel Group 1-4	360.0 Secs [==>600.0 Secs (Pattern 1)] [==>600.0 Secs (Pattern 2)]	[1]
	2		(19) M81-FIELD-19	ACS/WFC, ACCUM, WFCENTER	F606W	CR-SPLIT=NO; PAREXP=DEF; GAIN=2	POS TARG 0,0	Pattern 1-4 (1) Prime + Parallel Group 1-4	360.0 Secs [==>600.0 Secs (Pattern 1)] [==>600.0 Secs (Pattern 2)]	[1]
	3		(19) M81-FIELD-19	WFPC2, IMAGE, WFALL-FIX	F300W	CR-SPLIT=NO		Pattern 1-4 (1) Prime + Parallel Group 1-4	500.0 Secs [==>(Pattern 1)] [==>(Pattern 2)]	[1]
	4		(19) M81-FIELD-19	WFPC2, IMAGE, WFALL-FIX	F300W	CR-SPLIT=NO		Pattern 1-4 (1) Prime + Parallel Group 1-4	500.0 Secs [==>(Pattern 1)] [==>(Pattern 2)]	[1]



Proposal 10584 - Visit 18 - The link between X-ray source and stellar populations in M81

Mon Jun 20 15:06:50 GMT 2005

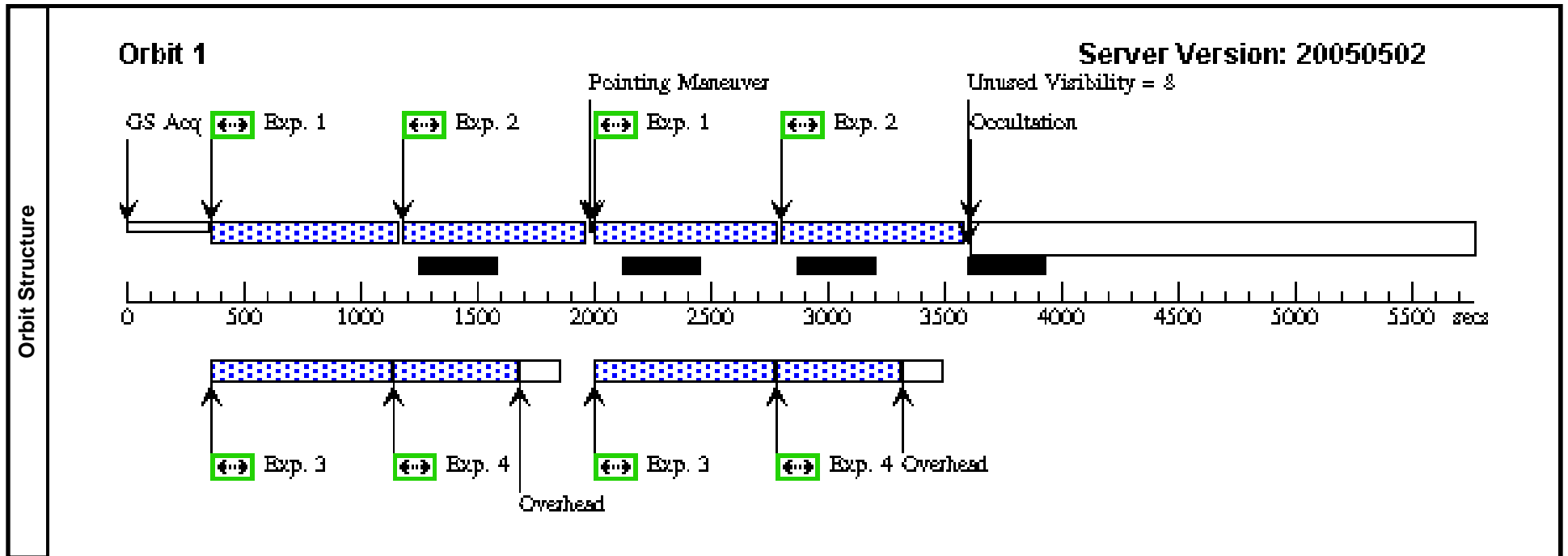
Visit		Proposal 10584, Visit 18 Diagnostic Status: No Diagnostics Scientific Instruments: ACS/WFC, WFPC2 Special Requirements: ORIENT 330.0D TO 340.0 D; ORIENT 240.0D TO 250.0 D; ORIENT 150.0D TO 160.0 D; ORIENT 60.0D TO 70.0 D Comments: We would like all observations to be performed with the same orientation. Preferred U3 angle is 335 degrees (90 or 180 degree rotations from this angle are also OK).								
Patterns	#	Primary Pattern	Secondary Pattern	Exposures						
	(1)	Pattern Type=ACS-WFC-DITHER- LINE Purpose=DITHER Number Of Points=2 Point Spacing=3.011 Line Spacing=	Coordinate Frame=POS-TARG Pattern Orientation=85.3 Angle Between Sides= Center Pattern=false		(1-4)					
Fixed Targets	#	Name	Target Coordinates	Targ. Coord. Corrections	Fluxes	Miscellaneous				
	(20)	M81-FIELD-20 Alt Name1: NGC3031	RA: 09 55 39.3790 (148.9140792d) Dec: +68 59 31.15 (68.99199d) Equinox: J2000 Plate Id: (?)	Radial Velocity: -35.0 km/sec	V=26.0+/-0.0	Coordinate Source: IMAGE_TIED_TO_GSC_FRAME				
Comments: V mag is for the detection limit.										
Exposures	#	Label	Target	Config,Mode,Aperture	Spectral Els.	Opt. Params.	Special Reqs.	Groups	Exp. Time/[Actual Dur.]	Orbit
	1		(20) M81-FIELD-20	ACS/WFC, ACCUM, WFCENTER	F435W	CR-SPLIT=NO; PAREXP=DEF; GAIN=2	POS TARG 0,0	Pattern 1-4 (1) Prime + Parallel Group 1-4	360.0 Secs [==>600.0 Secs (Pattern 1)] [==>600.0 Secs (Pattern 2)]	[1]
	2		(20) M81-FIELD-20	ACS/WFC, ACCUM, WFCENTER	F606W	CR-SPLIT=NO; PAREXP=DEF; GAIN=2	POS TARG 0,0	Pattern 1-4 (1) Prime + Parallel Group 1-4	360.0 Secs [==>600.0 Secs (Pattern 1)] [==>600.0 Secs (Pattern 2)]	[1]
	3		(20) M81-FIELD-20	WFPC2, IMAGE, WFALL-FIX	F300W	CR-SPLIT=NO		Pattern 1-4 (1) Prime + Parallel Group 1-4	500.0 Secs [==>(Pattern 1)] [==>(Pattern 2)]	[1]
	4		(20) M81-FIELD-20	WFPC2, IMAGE, WFALL-FIX	F300W	CR-SPLIT=NO		Pattern 1-4 (1) Prime + Parallel Group 1-4	500.0 Secs [==>(Pattern 1)] [==>(Pattern 2)]	[1]



Proposal 10584 - Visit 19 - The link between X-ray source and stellar populations in M81

Mon Jun 20 15:06:51 GMT 2005

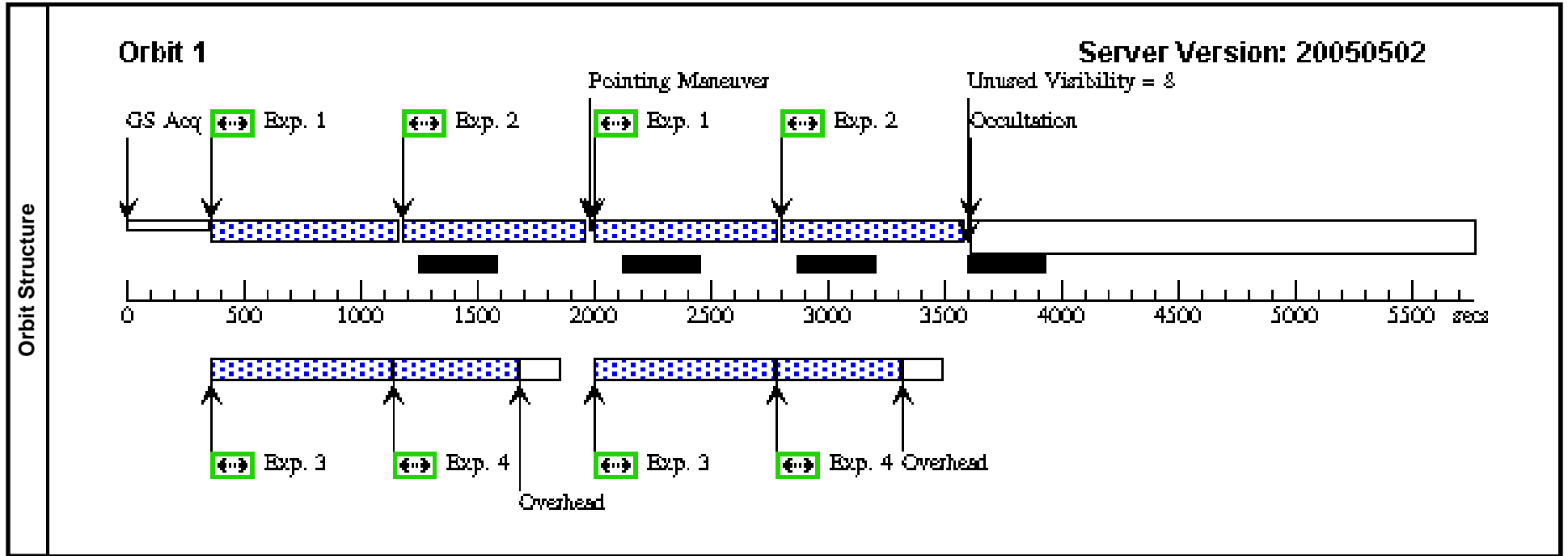
Visit	Proposal 10584, Visit 19 Diagnostic Status: No Diagnostics Scientific Instruments: ACS/WFC, WFPC2 Special Requirements: ORIENT 330.0D TO 340.0 D; ORIENT 240.0D TO 250.0 D; ORIENT 150.0D TO 160.0 D; ORIENT 60.0D TO 70.0 D Comments: We would like all observations to be performed with the same orientation. Preferred U3 angle is 335 degrees (90 or 180 degree rotations from this angle are also OK).									
	Patterns	#	Primary Pattern			Secondary Pattern			Exposures	
		(1)	Pattern Type=ACS-WFC-DITHER-LINE Purpose=DITHER Number Of Points=2 Point Spacing=3.011 Line Spacing=	Coordinate Frame=POS-TARG Pattern Orientation=85.3 Angle Between Sides= Center Pattern=false					(1-4)	
Fixed Targets	#	Name	Target Coordinates	Targ. Coord. Corrections	Fluxes	Miscellaneous				
	(21)	M81-FIELD-21 Alt Name1: NGC3031	RA: 09 56 11.9550 (149.0498125d) Dec: +69 00 48.52 (69.01348d) Equinox: J2000 Plate Id: (?)	Radial Velocity: -35.0 km/sec	V=26.0+/-0.0	Coordinate Source: IMAGE_TIED_TO_GSC_FRAME				
	Comments: V mag is for the detection limit.									
Exposures	#	Label	Target	Config,Mode,Aperture	Spectral Els.	Opt. Params.	Special Reqs.	Groups	Exp. Time/[Actual Dur.]	Orbit
	1		(21) M81-FIELD-21	ACS/WFC, ACCUM, WFCENTER	F435W	CR-SPLIT=NO; PAREXP=DEF; GAIN=2	POS TARG 0,0	Pattern 1-4 (1) Prime + Parallel Group 1-4	360.0 Secs [=>600.0 Secs (Pattern 1)] [=>600.0 Secs (Pattern 2)]	[1]
	2		(21) M81-FIELD-21	ACS/WFC, ACCUM, WFCENTER	F606W	CR-SPLIT=NO; PAREXP=DEF; GAIN=2	POS TARG 0,0	Pattern 1-4 (1) Prime + Parallel Group 1-4	360.0 Secs [=>600.0 Secs (Pattern 1)] [=>600.0 Secs (Pattern 2)]	[1]
	3		(21) M81-FIELD-21	WFPC2, IMAGE, WFALL-FIX	F300W	CR-SPLIT=NO		Pattern 1-4 (1) Prime + Parallel Group 1-4	500.0 Secs [=>(Pattern 1)] [=>(Pattern 2)]	[1]
	4		(21) M81-FIELD-21	WFPC2, IMAGE, WFALL-FIX	F300W	CR-SPLIT=NO		Pattern 1-4 (1) Prime + Parallel Group 1-4	500.0 Secs [=>(Pattern 1)] [=>(Pattern 2)]	[1]



Proposal 10584 - Visit 20 - The link between X-ray source and stellar populations in M81

Mon Jun 20 15:06:52 GMT 2005

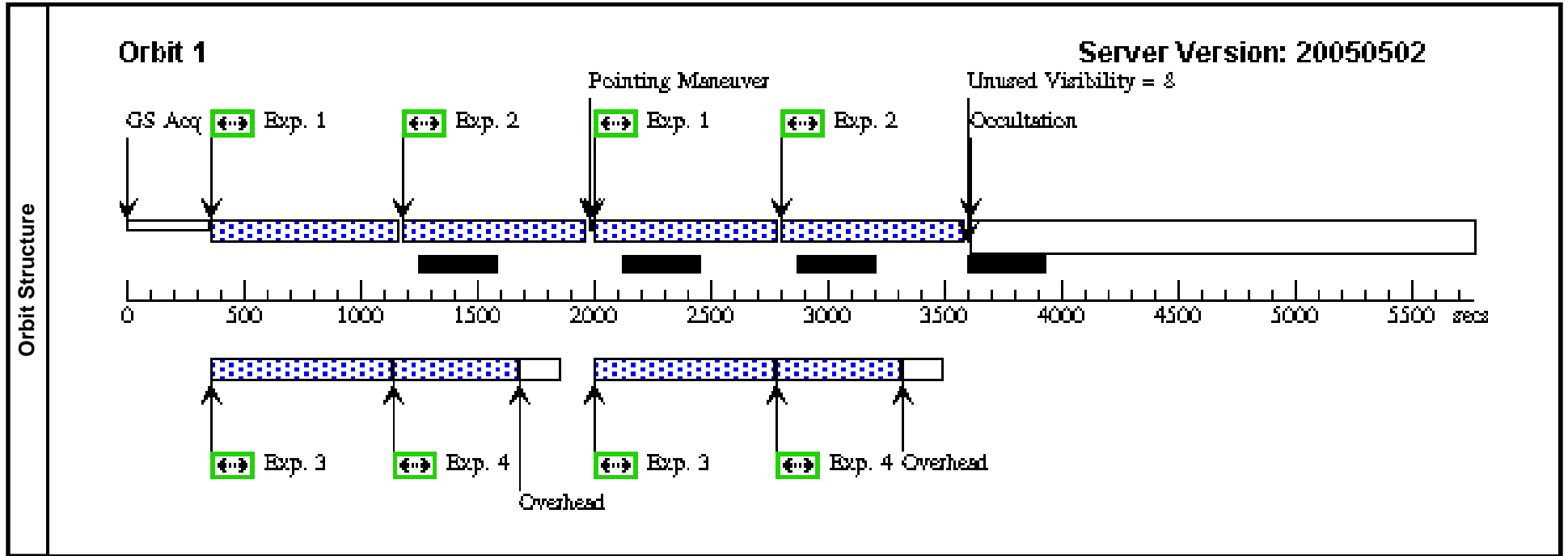
Visit	Proposal 10584, Visit 20 Diagnostic Status: No Diagnostics Scientific Instruments: ACS/WFC, WFPC2 Special Requirements: ORIENT 330.0D TO 340.0 D; ORIENT 240.0D TO 250.0 D; ORIENT 150.0D TO 160.0 D; ORIENT 60.0D TO 70.0 D Comments: We would like all observations to be performed with the same orientation. Preferred U3 angle is 335 degrees (90 or 180 degree rotations from this angle are also OK).									
	Patterns	#	Primary Pattern			Secondary Pattern			Exposures	
		(1)	Pattern Type=ACS-WFC-DITHER-LINE Purpose=DITHER Number Of Points=2 Point Spacing=3.011 Line Spacing=	Coordinate Frame=POS-TARG Pattern Orientation=85.3 Angle Between Sides= Center Pattern=false					(1-4)	
Fixed Targets	#	Name	Target Coordinates	Targ. Coord. Corrections	Fluxes	Miscellaneous				
	(22)	M81-FIELD-22 Alt Name1: NGC3031	RA: 09 56 44.5320 (149.1855500d) Dec: +69 02 5.89 (69.03497d) Equinox: J2000 Plate Id: (?)	Radial Velocity: -35.0 km/sec	V=26.0+/-0.0	Coordinate Source: IMAGE_TIED_TO_GSC_FRAME				
	Comments: V mag is for the detection limit.									
Exposures	#	Label	Target	Config,Mode,Aperture	Spectral Els.	Opt. Params.	Special Reqs.	Groups	Exp. Time/[Actual Dur.]	Orbit
	1		(22) M81-FIELD-22	ACS/WFC, ACCUM, WFCENTER	F435W	CR-SPLIT=NO; PAREXP=DEF; GAIN=2	POS TARG 0,0	Pattern 1-4 (1) Prime + Parallel Group 1-4	360.0 Secs [=>600.0 Secs (Pattern 1)] [=>600.0 Secs (Pattern 2)]	[1]
	2		(22) M81-FIELD-22	ACS/WFC, ACCUM, WFCENTER	F606W	CR-SPLIT=NO; PAREXP=DEF; GAIN=2	POS TARG 0,0	Pattern 1-4 (1) Prime + Parallel Group 1-4	360.0 Secs [=>600.0 Secs (Pattern 1)] [=>600.0 Secs (Pattern 2)]	[1]
	3		(22) M81-FIELD-22	WFPC2, IMAGE, WFALL-FIX	F300W	CR-SPLIT=NO		Pattern 1-4 (1) Prime + Parallel Group 1-4	500.0 Secs [=>(Pattern 1)] [=>(Pattern 2)]	[1]
	4		(22) M81-FIELD-22	WFPC2, IMAGE, WFALL-FIX	F300W	CR-SPLIT=NO		Pattern 1-4 (1) Prime + Parallel Group 1-4	500.0 Secs [=>(Pattern 1)] [=>(Pattern 2)]	[1]



Proposal 10584 - Visit 21 - The link between X-ray source and stellar populations in M81

Mon Jun 20 15:06:53 GMT 2005

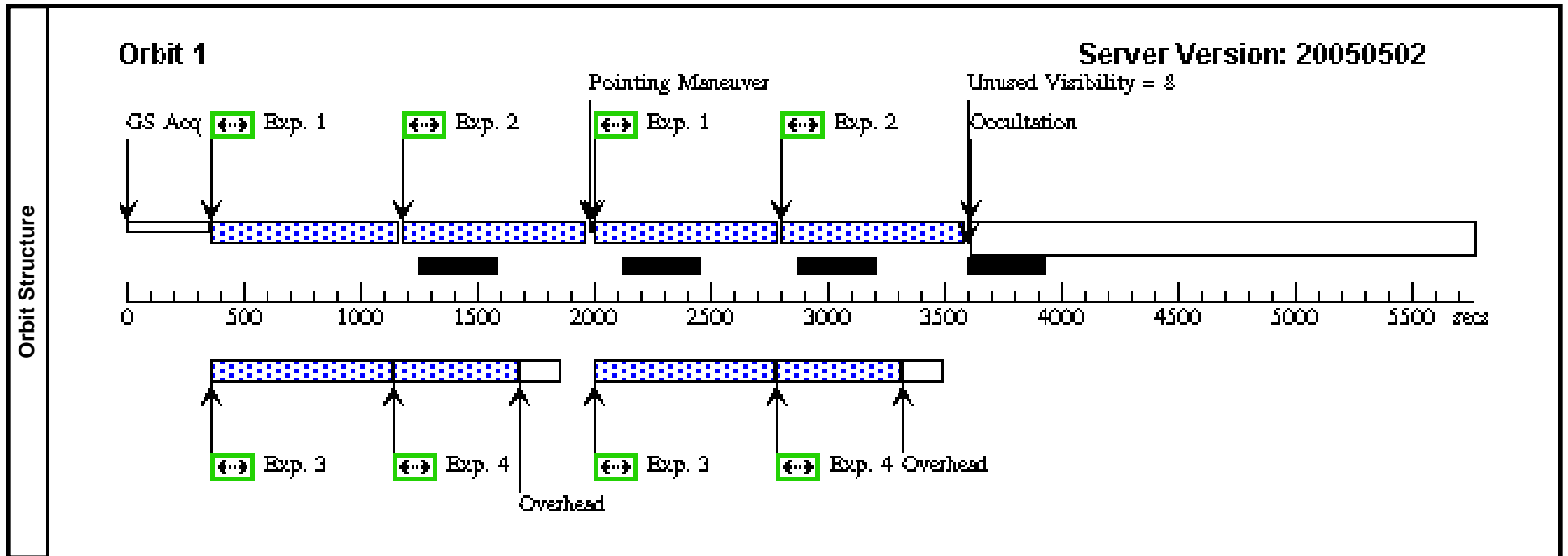
Visit	Proposal 10584, Visit 21 Diagnostic Status: No Diagnostics Scientific Instruments: ACS/WFC, WFPC2 Special Requirements: ORIENT 330.0D TO 340.0 D; ORIENT 240.0D TO 250.0 D; ORIENT 150.0D TO 160.0 D; ORIENT 60.0D TO 70.0 D Comments: We would like all observations to be performed with the same orientation. Preferred U3 angle is 335 degrees (90 or 180 degree rotations from this angle are also OK).									
	Patterns	#	Primary Pattern			Secondary Pattern			Exposures	
		(1)	Pattern Type=ACS-WFC-DITHER-LINE Purpose=DITHER Number Of Points=2 Point Spacing=3.011 Line Spacing=	Coordinate Frame=POS-TARG Pattern Orientation=85.3 Angle Between Sides= Center Pattern=false					(1-4)	
Fixed Targets	#	Name	Target Coordinates	Targ. Coord. Corrections	Fluxes	Miscellaneous				
	(23)	M81-FIELD-23 Alt Name1: NGC3031	RA: 09 55 21.3260 (148.8388583d) Dec: +68 55 20.25 (68.92229d) Equinox: J2000 Plate Id: (?)	Radial Velocity: -35.0 km/sec	V=26.0+/-0.0	Coordinate Source: IMAGE_TIED_TO_GSC_FRAME				
	Comments: V mag is for the detection limit.									
Exposures	#	Label	Target	Config,Mode,Aperture	Spectral Els.	Opt. Params.	Special Reqs.	Groups	Exp. Time/[Actual Dur.]	Orbit
	1		(23) M81-FIELD-23	ACS/WFC, ACCUM, WFCENTER	F435W	CR-SPLIT=NO; PAREXP=DEF; GAIN=2	POS TARG 0,0	Pattern 1-4 (1) Prime + Parallel Group 1-4	360.0 Secs [=>600.0 Secs (Pattern 1)] [=>600.0 Secs (Pattern 2)]	[1]
	2		(23) M81-FIELD-23	ACS/WFC, ACCUM, WFCENTER	F606W	CR-SPLIT=NO; PAREXP=DEF; GAIN=2	POS TARG 0,0	Pattern 1-4 (1) Prime + Parallel Group 1-4	360.0 Secs [=>600.0 Secs (Pattern 1)] [=>600.0 Secs (Pattern 2)]	[1]
	3		(23) M81-FIELD-23	WFPC2, IMAGE, WFALL-FIX	F300W	CR-SPLIT=NO		Pattern 1-4 (1) Prime + Parallel Group 1-4	500.0 Secs [=>(Pattern 1)] [=>(Pattern 2)]	[1]
	4		(23) M81-FIELD-23	WFPC2, IMAGE, WFALL-FIX	F300W	CR-SPLIT=NO		Pattern 1-4 (1) Prime + Parallel Group 1-4	500.0 Secs [=>(Pattern 1)] [=>(Pattern 2)]	[1]



Proposal 10584 - Visit 22 - The link between X-ray source and stellar populations in M81

Mon Jun 20 15:06:54 GMT 2005

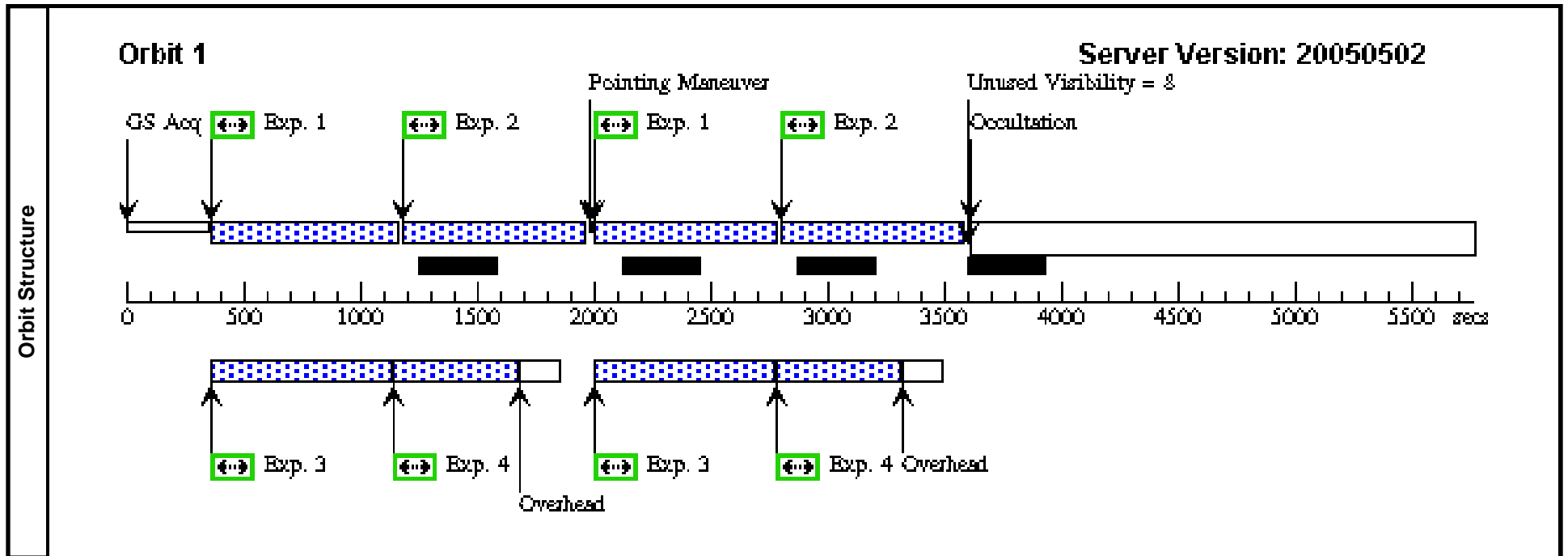
Visit	Proposal 10584, Visit 22 Diagnostic Status: No Diagnostics Scientific Instruments: ACS/WFC, WFPC2 Special Requirements: ORIENT 330.0D TO 340.0 D; ORIENT 240.0D TO 250.0 D; ORIENT 150.0D TO 160.0 D; ORIENT 60.0D TO 70.0 D Comments: We would like all observations to be performed with the same orientation. Preferred U3 angle is 335 degrees (90 or 180 degree rotations from this angle are also OK).									
	Patterns	#	Primary Pattern			Secondary Pattern			Exposures	
		(1)	Pattern Type=ACS-WFC-DITHER-LINE Purpose=DITHER Number Of Points=2 Point Spacing=3.011 Line Spacing=	Coordinate Frame=POS-TARG Pattern Orientation=85.3 Angle Between Sides= Center Pattern=false					(1-4)	
Fixed Targets	#	Name	Target Coordinates	Targ. Coord. Corrections	Fluxes	Miscellaneous				
	(24)	M81-FIELD-24 Alt Name1: NGC3031	RA: 09 55 53.9030 (148.9745958d) Dec: +68 56 37.62 (68.94378d) Equinox: J2000 Plate Id: (?)	Radial Velocity: -35.0 km/sec	V=26.0+/-0.0	Coordinate Source: IMAGE_TIED_TO_GSC_FRAME				
	Comments: V mag is for the detection limit.									
Exposures	#	Label	Target	Config,Mode,Aperture	Spectral Els.	Opt. Params.	Special Reqs.	Groups	Exp. Time/[Actual Dur.]	Orbit
	1		(24) M81-FIELD-24	ACS/WFC, ACCUM, WFCENTER	F435W	CR-SPLIT=NO; PAREXP=DEF; GAIN=2	POS TARG 0,0	Pattern 1-4 (1) Prime + Parallel Group 1-4	360.0 Secs [==>600.0 Secs (Pattern 1)] [==>600.0 Secs (Pattern 2)]	[1]
	2		(24) M81-FIELD-24	ACS/WFC, ACCUM, WFCENTER	F606W	CR-SPLIT=NO; PAREXP=DEF; GAIN=2	POS TARG 0,0	Pattern 1-4 (1) Prime + Parallel Group 1-4	360.0 Secs [==>600.0 Secs (Pattern 1)] [==>600.0 Secs (Pattern 2)]	[1]
	3		(24) M81-FIELD-24	WFPC2, IMAGE, WFALL-FIX	F300W	CR-SPLIT=NO		Pattern 1-4 (1) Prime + Parallel Group 1-4	500.0 Secs [==>(Pattern 1)] [==>(Pattern 2)]	[1]
	4		(24) M81-FIELD-24	WFPC2, IMAGE, WFALL-FIX	F300W	CR-SPLIT=NO		Pattern 1-4 (1) Prime + Parallel Group 1-4	500.0 Secs [==>(Pattern 1)] [==>(Pattern 2)]	[1]



Proposal 10584 - Visit 23 - The link between X-ray source and stellar populations in M81

Mon Jun 20 15:06:55 GMT 2005

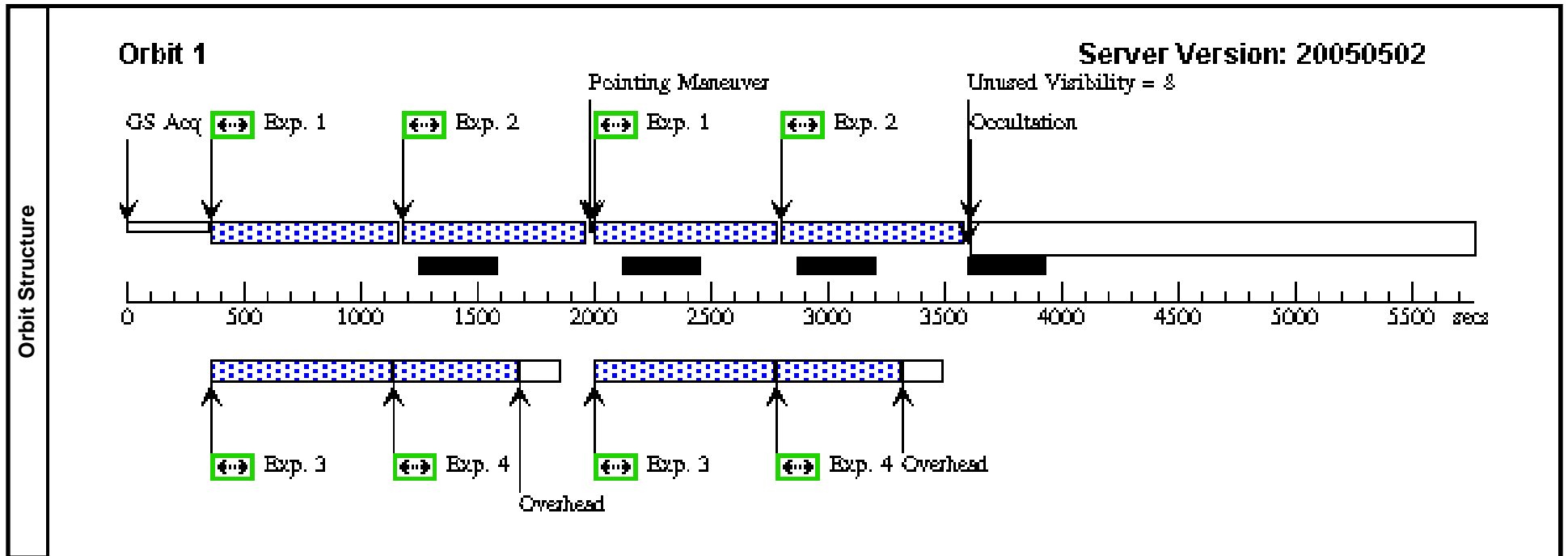
Visit	Proposal 10584, Visit 23 Diagnostic Status: No Diagnostics Scientific Instruments: ACS/WFC, WFPC2 Special Requirements: ORIENT 330.0D TO 340.0 D; ORIENT 240.0D TO 250.0 D; ORIENT 150.0D TO 160.0 D; ORIENT 60.0D TO 70.0 D Comments: We would like all observations to be performed with the same orientation. Preferred U3 angle is 335 degrees (90 or 180 degree rotations from this angle are also OK).									
	Patterns	#	Primary Pattern			Secondary Pattern			Exposures	
		(1)	Pattern Type=ACS-WFC-DITHER-LINE Purpose=DITHER Number Of Points=2 Point Spacing=3.011 Line Spacing=	Coordinate Frame=POS-TARG Pattern Orientation=85.3 Angle Between Sides= Center Pattern=false					(1-4)	
Fixed Targets	#	Name	Target Coordinates	Targ. Coord. Corrections	Fluxes	Miscellaneous				
	(25)	M81-FIELD-25 Alt Name1: NGC3031	RA: 09 56 26.4790 (149.1103292d) Dec: +68 57 54.99 (68.96528d) Equinox: J2000 Plate Id: (?)	Radial Velocity: -35.0 km/sec	V=26.0+/-0.0	Coordinate Source: IMAGE_TIED_TO_GSC_FRAME				
	Comments: V mag is for the detection limit.									
Exposures	#	Label	Target	Config,Mode,Aperture	Spectral Els.	Opt. Params.	Special Reqs.	Groups	Exp. Time/[Actual Dur.]	Orbit
	1		(25) M81-FIELD-25	ACS/WFC, ACCUM, WFCENTER	F435W	CR-SPLIT=NO; PAREXP=DEF; GAIN=2	POS TARG 0,0	Pattern 1-4 (1) Prime + Parallel Group 1-4	360.0 Secs [=>600.0 Secs (Pattern 1)] [=>600.0 Secs (Pattern 2)]	[1]
	2		(25) M81-FIELD-25	ACS/WFC, ACCUM, WFCENTER	F606W	CR-SPLIT=NO; PAREXP=DEF; GAIN=2	POS TARG 0,0	Pattern 1-4 (1) Prime + Parallel Group 1-4	360.0 Secs [=>600.0 Secs (Pattern 1)] [=>600.0 Secs (Pattern 2)]	[1]
	3		(25) M81-FIELD-25	WFPC2, IMAGE, WFALL-FIX	F300W	CR-SPLIT=NO		Pattern 1-4 (1) Prime + Parallel Group 1-4	500.0 Secs [=>(Pattern 1)] [=>(Pattern 2)]	[1]
	4		(25) M81-FIELD-25	WFPC2, IMAGE, WFALL-FIX	F300W	CR-SPLIT=NO		Pattern 1-4 (1) Prime + Parallel Group 1-4	500.0 Secs [=>(Pattern 1)] [=>(Pattern 2)]	[1]



Proposal 10584 - Visit 24 - The link between X-ray source and stellar populations in M81

Mon Jun 20 15:06:55 GMT 2005

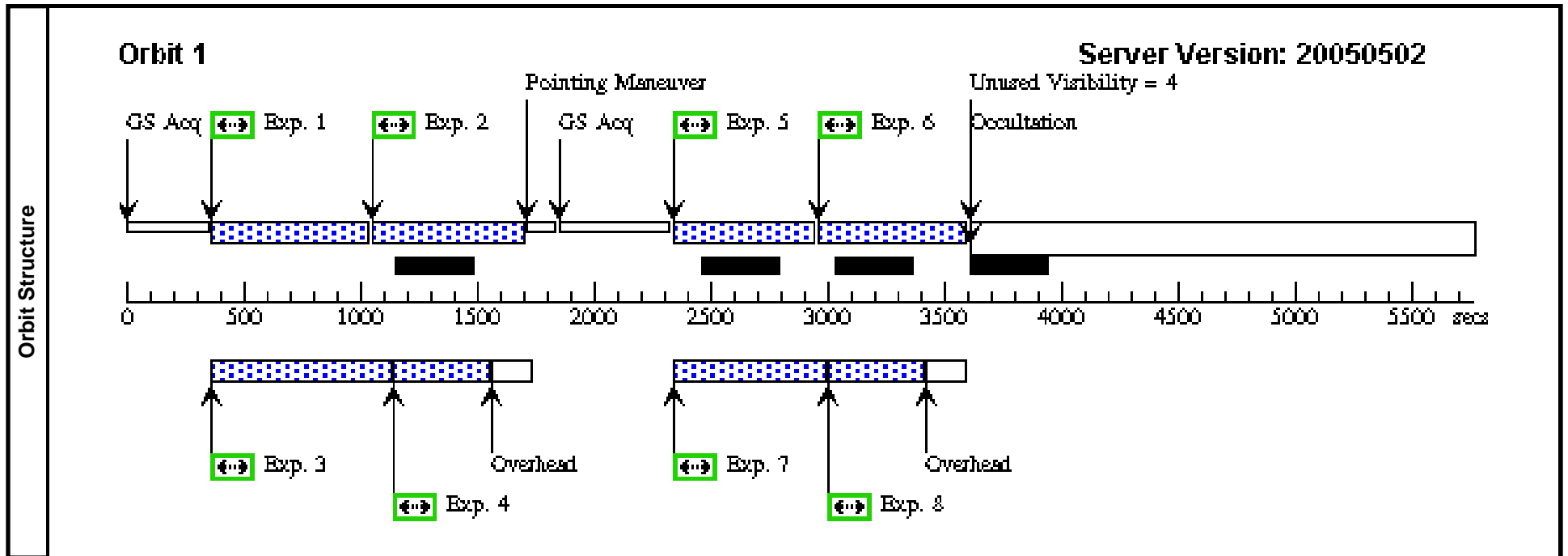
Visit	Proposal 10584, Visit 24 Diagnostic Status: No Diagnostics Scientific Instruments: ACS/WFC, WFPC2 Special Requirements: ORIENT 330.0D TO 340.0 D; ORIENT 240.0D TO 250.0 D; ORIENT 150.0D TO 160.0 D; ORIENT 60.0D TO 70.0 D Comments: We would like all observations to be performed with the same orientation. Preferred U3 angle is 335 degrees (90 or 180 degree rotations from this angle are also OK).									
	Patterns	#	Primary Pattern			Secondary Pattern			Exposures	
		(1)	Pattern Type=ACS-WFC-DITHER-LINE Purpose=DITHER Number Of Points=2 Point Spacing=3.011 Line Spacing=	Coordinate Frame=POS-TARG Pattern Orientation=85.3 Angle Between Sides= Center Pattern=false					(1-4)	
Fixed Targets	#	Name	Target Coordinates	Targ. Coord. Corrections	Fluxes	Miscellaneous				
	(26)	M81-FIELD-26 Alt Name1: NGC3031	RA: 09 56 59.0560 (149.2460667d) Dec: +68 59 12.36 (68.98677d) Equinox: J2000 Plate Id: (?)	Radial Velocity: -35.0 km/sec	V=26.0+/-0.0	Coordinate Source: IMAGE_TIED_TO_GSC_FRAME				
	Comments: V mag is for the detection limit.									
Exposures	#	Label	Target	Config,Mode,Aperture	Spectral Els.	Opt. Params.	Special Reqs.	Groups	Exp. Time/[Actual Dur.]	Orbit
	1		(26) M81-FIELD-26	ACS/WFC, ACCUM, WFCENTER	F435W	CR-SPLIT=NO; PAREXP=DEF; GAIN=2	POS TARG 0,0	Pattern 1-4 (1) Prime + Parallel Group 1-4	360.0 Secs [=>600.0 Secs (Pattern 1)] [=>600.0 Secs (Pattern 2)]	[1]
	2		(26) M81-FIELD-26	ACS/WFC, ACCUM, WFCENTER	F606W	CR-SPLIT=NO; PAREXP=DEF; GAIN=2	POS TARG 0,0	Pattern 1-4 (1) Prime + Parallel Group 1-4	360.0 Secs [=>600.0 Secs (Pattern 1)] [=>600.0 Secs (Pattern 2)]	[1]
	3		(26) M81-FIELD-26	WFPC2, IMAGE, WFALL-FIX	F300W	CR-SPLIT=NO		Pattern 1-4 (1) Prime + Parallel Group 1-4	500.0 Secs [=>(Pattern 1)] [=>(Pattern 2)]	[1]
	4		(26) M81-FIELD-26	WFPC2, IMAGE, WFALL-FIX	F300W	CR-SPLIT=NO		Pattern 1-4 (1) Prime + Parallel Group 1-4	500.0 Secs [=>(Pattern 1)] [=>(Pattern 2)]	[1]



Proposal 10584 - Visit 25 - The link between X-ray source and stellar populations in M81

Mon Jun 20 15:06:56 GMT 2005

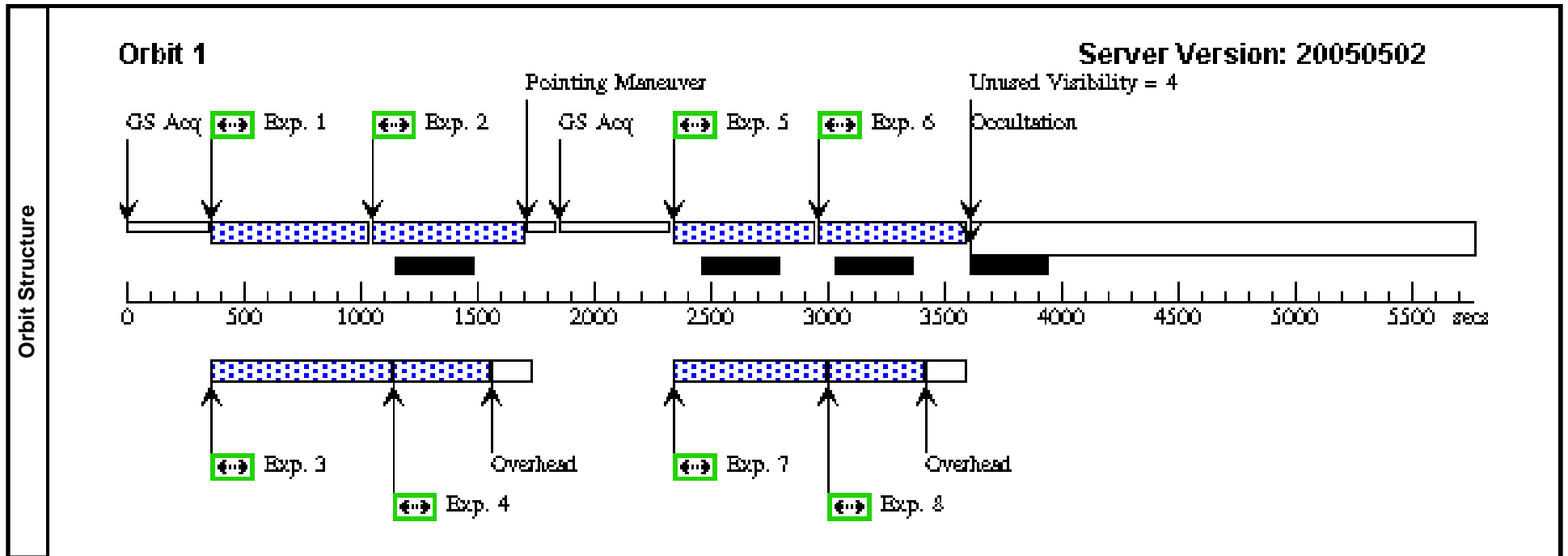
Visit	Proposal 10584, Visit 25									
	Diagnostic Status: No Diagnostics									
	Scientific Instruments: ACS/WFC, WFPC2									
	Special Requirements: ORIENT 330.0D TO 340.0 D; ORIENT 240.0D TO 250.0 D; ORIENT 150.0D TO 160.0 D; ORIENT 60.0D TO 70.0 D									
	<i>Comments: We would like all observations to be performed with the same orientation. Preferred U3 angle is 335 degrees (90 or 180 degree rotations from this angle are also OK).</i>									
Fixed Targets	#	Name	Target Coordinates	Targ. Coord. Corrections	Fluxes	Miscellaneous				
	(7)	M81-FIELD-7 Alt Name1: NGC3031	RA: 09 54 23.2300 (148.5967917d) Dec: +69 06 54.39 (69.11511d) Equinox: J2000 Plate Id: (?)	Radial Velocity: -35.0 km/sec	V=26.0+/-0.0	Coordinate Source: IMAGE_TIED_TO_GSC_FRAME				
	<i>Comments: V mag is for the detection limit.</i>									
(11)	M81-FIELD-11 Alt Name1: NGC3031	RA: 09 54 37.7540 (148.6573083d) Dec: +69 04 0.85 (69.06690d) Equinox: J2000 Plate Id: (?)	Radial Velocity: -35.0 km/sec	V=26.0+/-0.0	Coordinate Source: IMAGE_TIED_TO_GSC_FRAME					
<i>Comments: V mag is for the detection limit.</i>										
Exposures	#	Label	Target	Config,Mode,Aperture	Spectral Els.	Opt. Params.	Special Reqs.	Groups	Exp. Time/[Actual Dur.]	Orbit
	1	(7) M81-FIELD-7	M81-FIELD-7	ACS/WFC, ACCUM, WFCENTER	F435W	CR-SPLIT=NO; PAREXP=DEF; GAIN=2	POS TARG 96.816,1 5.06	Prime + Parallel Gro up 1-4	360.0 Secs [=>465.0 Secs]	[1]
	2	(7) M81-FIELD-7	M81-FIELD-7	ACS/WFC, ACCUM, WFCENTER	F606W	CR-SPLIT=NO; PAREXP=DEF; GAIN=2	POS TARG 96.816,1 5.06	Prime + Parallel Gro up 1-4	360.0 Secs [=>470.0 Secs]	[1]
	3	(7) M81-FIELD-7	M81-FIELD-7	WFPC2, IMAGE, WFALL-FIX	F300W	CR-SPLIT=NO		Prime + Parallel Gro up 1-4	500.0 Secs [=>500.0 Secs]	[1]
	4	(7) M81-FIELD-7	M81-FIELD-7	WFPC2, IMAGE, WFALL-FIX	F300W	CR-SPLIT=NO		Prime + Parallel Gro up 1-4	500.0 Secs [=>400.0 Secs]	[1]
	5	(11) M81-FIELD-11	M81-FIELD-11	ACS/WFC, ACCUM, WFCENTER	F435W	CR-SPLIT=NO; PAREXP=DEF; GAIN=2	POS TARG 96.816,1 5.06	Prime + Parallel Gro up 5-8	360.0 Secs [=>400.0 Secs]	[1]
	6	(11) M81-FIELD-11	M81-FIELD-11	ACS/WFC, ACCUM, WFCENTER	F606W	CR-SPLIT=NO; PAREXP=DEF; GAIN=2	POS TARG 96.816,1 5.06	Prime + Parallel Gro up 5-8	360.0 Secs [=>450.0 Secs]	[1]
	7	(11) M81-FIELD-11	M81-FIELD-11	WFPC2, IMAGE, WFALL-FIX	F300W	CR-SPLIT=NO		Prime + Parallel Gro up 5-8	500.0 Secs [=>400.0 Secs]	[1]
	8	(11) M81-FIELD-11	M81-FIELD-11	WFPC2, IMAGE, WFALL-FIX	F300W	CR-SPLIT=NO		Prime + Parallel Gro up 5-8	500.0 Secs [=>400.0 Secs]	[1]



Proposal 10584 - Visit 26 - The link between X-ray source and stellar populations in M81

Mon Jun 20 15:06:57 GMT 2005

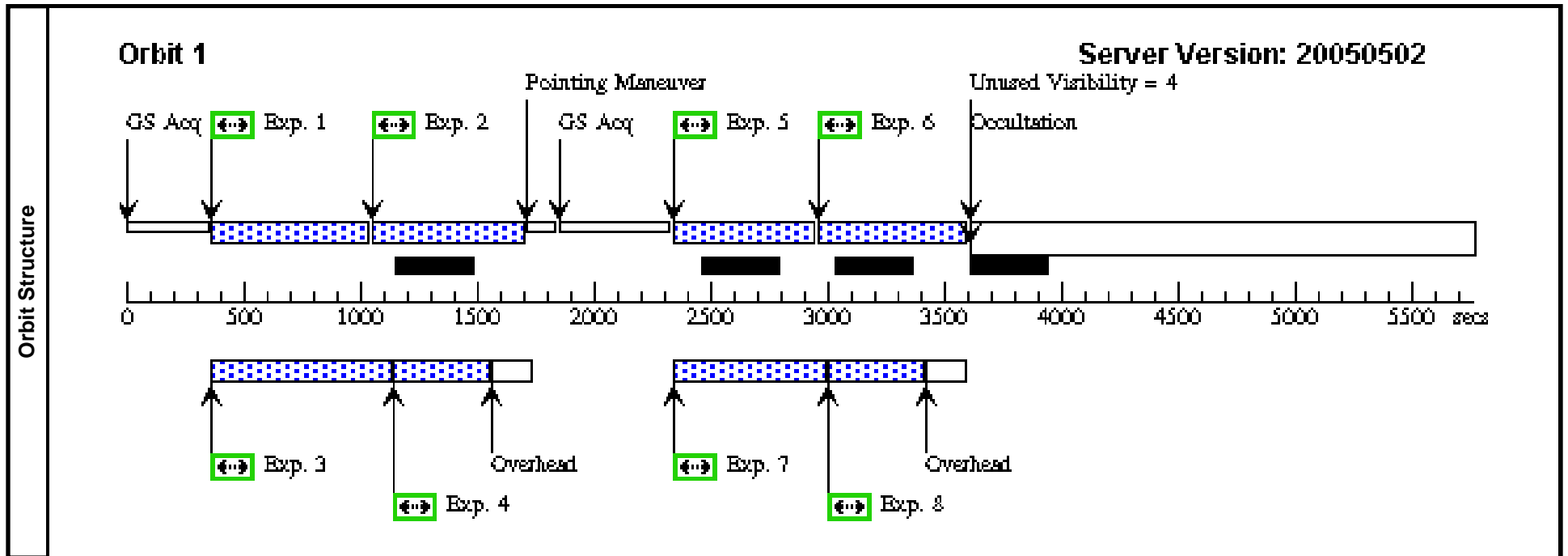
Visit		Proposal 10584, Visit 26 Diagnostic Status: No Diagnostics Scientific Instruments: ACS/WFC, WFPC2 Special Requirements: ORIENT 330.0D TO 340.0 D; ORIENT 240.0D TO 250.0 D; ORIENT 150.0D TO 160.0 D; ORIENT 60.0D TO 70.0 D <i>Comments: We would like all observations to be performed with the same orientation. Preferred U3 angle is 335 degrees (90 or 180 degree rotations from this angle are also OK).</i>									
Fixed Targets		#	Name	Target Coordinates	Targ. Coord. Corrections	Fluxes	Miscellaneous				
		(9)	M81-FIELD-9 Alt Name1: NGC3031	RA: 09 55 28.3830 (148.8682625d) Dec: +69 09 29.12 (69.15809d) Equinox: J2000 Plate Id: (?)	Radial Velocity: -35.0 km/sec	V=26.0+/-0.0	Coordinate Source: IMAGE_TIED_TO_GSC_FRAME				
		<i>Comments: V mag is for the detection limit.</i>									
		(13)	M81-FIELD-13 Alt Name1: NGC3031	RA: 09 55 42.9070 (148.9287792d) Dec: +69 06 35.59 (69.10989d) Equinox: J2000 Plate Id: (?)	Radial Velocity: -35.0 km/sec	V=26.0+/-0.0	Coordinate Source: IMAGE_TIED_TO_GSC_FRAME				
		<i>Comments: V mag is for the detection limit.</i>									
Exposures		#	Label	Target	Config,Mode,Aperture	Spectral Els.	Opt. Params.	Special Reqs.	Groups	Exp. Time/[Actual Dur.]	Orbit
		1	(9) M81-FIELD-9	M81-FIELD-9	ACS/WFC, ACCUM, WFCENTER	F435W	CR-SPLIT=NO; PAREXP=DEF; GAIN=2	POS TARG 96.816,1 5.06	Prime + Parallel Gro up 1-4	360.0 Secs [=>465.0 Secs]	[1]
		2	(9) M81-FIELD-9	M81-FIELD-9	ACS/WFC, ACCUM, WFCENTER	F606W	CR-SPLIT=NO; PAREXP=DEF; GAIN=2	POS TARG 96.816,1 5.06	Prime + Parallel Gro up 1-4	360.0 Secs [=>470.0 Secs]	[1]
		3	(9) M81-FIELD-9	M81-FIELD-9	WFPC2, IMAGE, WFALL-FIX	F300W	CR-SPLIT=NO		Prime + Parallel Gro up 1-4	500.0 Secs [=>500.0 Secs]	[1]
		4	(9) M81-FIELD-9	M81-FIELD-9	WFPC2, IMAGE, WFALL-FIX	F300W	CR-SPLIT=NO		Prime + Parallel Gro up 1-4	500.0 Secs [=>400.0 Secs]	[1]
		5	(13) M81-FIELD-13	M81-FIELD-13	ACS/WFC, ACCUM, WFCENTER	F435W	CR-SPLIT=NO; PAREXP=DEF; GAIN=2	POS TARG 96.816,1 5.06	Prime + Parallel Gro up 5-8	360.0 Secs [=>400.0 Secs]	[1]
		6	(13) M81-FIELD-13	M81-FIELD-13	ACS/WFC, ACCUM, WFCENTER	F606W	CR-SPLIT=NO; PAREXP=DEF; GAIN=2	POS TARG 96.816,1 5.06	Prime + Parallel Gro up 5-8	360.0 Secs [=>450.0 Secs]	[1]
		7	(13) M81-FIELD-13	M81-FIELD-13	WFPC2, IMAGE, WFALL-FIX	F300W	CR-SPLIT=NO		Prime + Parallel Gro up 5-8	500.0 Secs [=>400.0 Secs]	[1]
		8	(13) M81-FIELD-13	M81-FIELD-13	WFPC2, IMAGE, WFALL-FIX	F300W	CR-SPLIT=NO		Prime + Parallel Gro up 5-8	500.0 Secs [=>400.0 Secs]	[1]



Proposal 10584 - Visit 27 - The link between X-ray source and stellar populations in M81

Mon Jun 20 15:06:58 GMT 2005

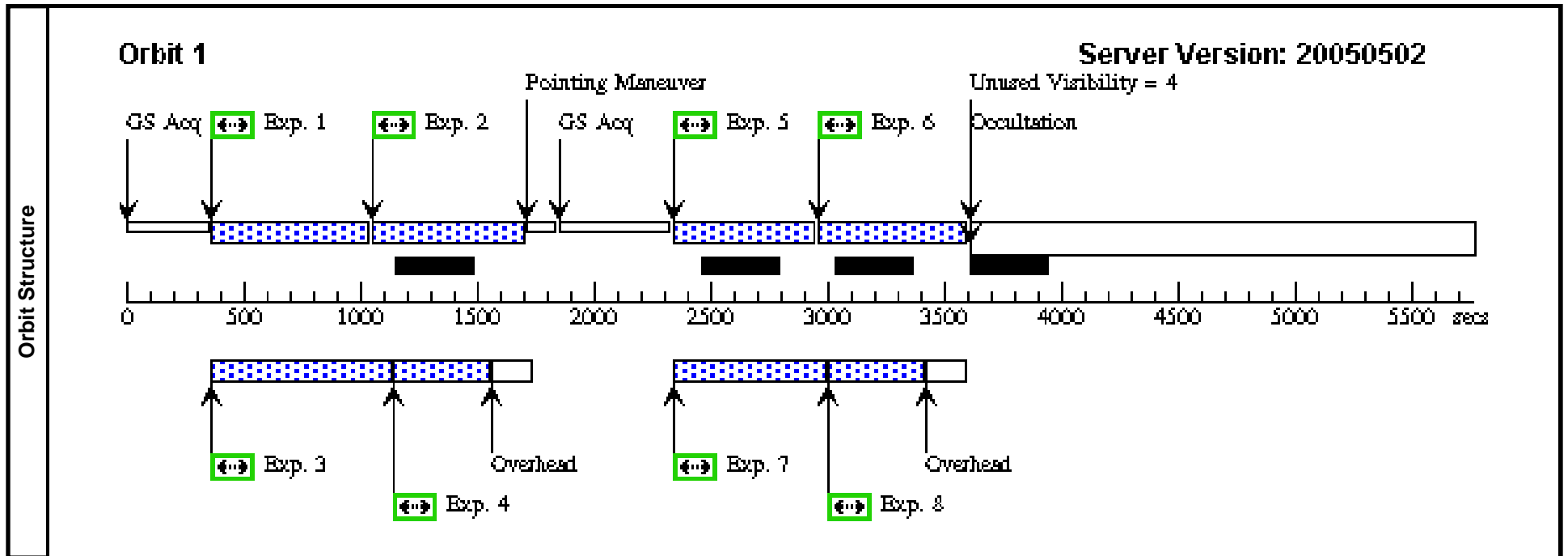
Visit	Proposal 10584, Visit 27									
	Diagnostic Status: No Diagnostics Scientific Instruments: ACS/WFC, WFPC2 Special Requirements: ORIENT 330.0D TO 340.0 D; ORIENT 240.0D TO 250.0 D; ORIENT 150.0D TO 160.0 D; ORIENT 60.0D TO 70.0 D Comments: We would like all observations to be performed with the same orientation. Preferred U3 angle is 335 degrees (90 or 180 degree rotations from this angle are also OK).									
Fixed Targets	#	Name	Target Coordinates	Targ. Coord. Corrections	Fluxes	Miscellaneous				
	(15)	M81-FIELD-15 Alt Name1: NGC3031	RA: 09 54 52.2780 (148.7178250d) Dec: +69 01 7.32 (69.01870d) Equinox: J2000 Plate Id: (?)	Radial Velocity: -35.0 km/sec	V=26.0+/-0.0	Coordinate Source: IMAGE_TIED_TO_GSC_FRAME				
	Comments: V mag is for the detection limit.									
(19)	M81-FIELD-19 Alt Name1: NGC3031	RA: 09 55 6.8020 (148.7783417d) Dec: +68 58 13.78 (68.97049d) Equinox: J2000 Plate Id: (?)	Radial Velocity: -35.0 km/sec	V=26.0+/-0.0	Coordinate Source: IMAGE_TIED_TO_GSC_FRAME					
	Comments: V mag is for the detection limit.									
Exposures	#	Label	Target	Config,Mode,Aperture	Spectral Els.	Opt. Params.	Special Reqs.	Groups	Exp. Time/[Actual Dur.]	Orbit
	1	(15) M81-FIELD-15	ACS/WFC, ACCUM, WFCENTER	F435W	CR-SPLIT=NO; PAREXP=DEF; GAIN=2	POS TARG 96.816,1 5.06	Prime + Parallel Gro up 1-4	360.0 Secs [=>465.0 Secs]	[1]	
	2	(15) M81-FIELD-15	ACS/WFC, ACCUM, WFCENTER	F606W	CR-SPLIT=NO; PAREXP=DEF; GAIN=2	POS TARG 96.816,1 5.06	Prime + Parallel Gro up 1-4	360.0 Secs [=>470.0 Secs]	[1]	
	3	(15) M81-FIELD-15	WFPC2, IMAGE, WFALL-FIX	F300W	CR-SPLIT=NO		Prime + Parallel Gro up 1-4	500.0 Secs [=>500.0 Secs]	[1]	
	4	(15) M81-FIELD-15	WFPC2, IMAGE, WFALL-FIX	F300W	CR-SPLIT=NO		Prime + Parallel Gro up 1-4	500.0 Secs [=>400.0 Secs]	[1]	
	5	(19) M81-FIELD-19	ACS/WFC, ACCUM, WFCENTER	F435W	CR-SPLIT=NO; PAREXP=DEF; GAIN=2	POS TARG 96.816,1 5.06	Prime + Parallel Gro up 5-8	360.0 Secs [=>400.0 Secs]	[1]	
	6	(19) M81-FIELD-19	ACS/WFC, ACCUM, WFCENTER	F606W	CR-SPLIT=NO; PAREXP=DEF; GAIN=2	POS TARG 96.816,1 5.06	Prime + Parallel Gro up 5-8	360.0 Secs [=>450.0 Secs]	[1]	
	7	(19) M81-FIELD-19	WFPC2, IMAGE, WFALL-FIX	F300W	CR-SPLIT=NO		Prime + Parallel Gro up 5-8	500.0 Secs [=>400.0 Secs]	[1]	
8	(19) M81-FIELD-19	WFPC2, IMAGE, WFALL-FIX	F300W	CR-SPLIT=NO		Prime + Parallel Gro up 5-8	500.0 Secs [=>400.0 Secs]	[1]		



Proposal 10584 - Visit 28 - The link between X-ray source and stellar populations in M81

Mon Jun 20 15:06:59 GMT 2005

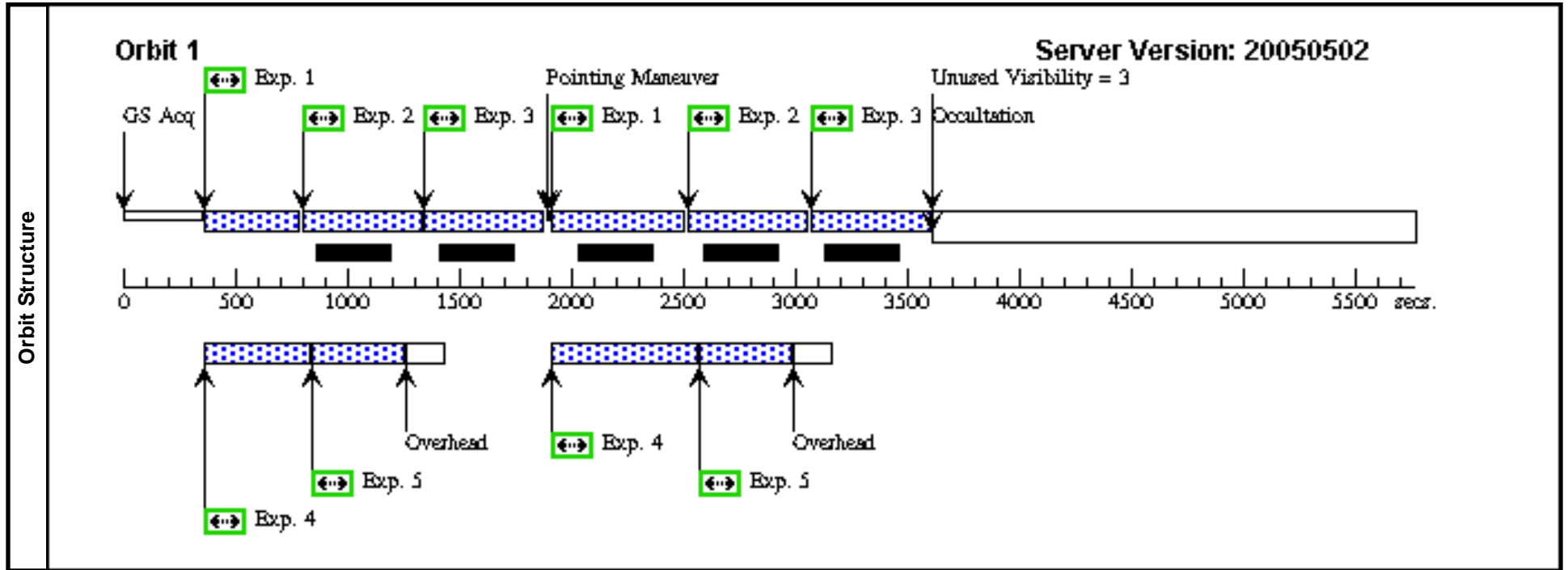
Visit		Proposal 10584, Visit 28 Diagnostic Status: No Diagnostics Scientific Instruments: ACS/WFC, WFPC2 Special Requirements: ORIENT 330.0D TO 340.0 D; ORIENT 240.0D TO 250.0 D; ORIENT 150.0D TO 160.0 D; ORIENT 60.0D TO 70.0 D <i>Comments: We would like all observations to be performed with the same orientation. Preferred U3 angle is 335 degrees (90 or 180 degree rotations from this angle are also OK).</i>									
Fixed Targets		#	Name	Target Coordinates	Targ. Coord. Corrections	Fluxes	Miscellaneous				
		(17)	M81-FIELD-17 Alt Name1: NGC3031	RA: 09 55 57.4310 (148.9892958d) Dec: +69 03 42.06 (69.06168d) Equinox: J2000 Plate Id: (?)	Radial Velocity: -35.0 km/sec	V=26.0+/-0.0	Coordinate Source: IMAGE_TIED_TO_GSC_FRAME				
		<i>Comments: V mag is for the detection limit.</i>									
		(21)	M81-FIELD-21 Alt Name1: NGC3031	RA: 09 56 11.9550 (149.0498125d) Dec: +69 00 48.52 (69.01348d) Equinox: J2000 Plate Id: (?)	Radial Velocity: -35.0 km/sec	V=26.0+/-0.0	Coordinate Source: IMAGE_TIED_TO_GSC_FRAME				
		<i>Comments: V mag is for the detection limit.</i>									
Exposures		#	Label	Target	Config,Mode,Aperture	Spectral Els.	Opt. Params.	Special Reqs.	Groups	Exp. Time/[Actual Dur.]	Orbit
		1	(17) M81-FIELD-17	ACS/WFC, ACCUM, WFCENTER	F435W	CR-SPLIT=NO; PAREXP=DEF; GAIN=2	POS TARG 96.816,1 5.06	Prime + Parallel Gro up 1-4	360.0 Secs [=>465.0 Secs]	[1]	
		2	(17) M81-FIELD-17	ACS/WFC, ACCUM, WFCENTER	F606W	CR-SPLIT=NO; PAREXP=DEF; GAIN=2	POS TARG 96.816,1 5.06	Prime + Parallel Gro up 1-4	360.0 Secs [=>470.0 Secs]	[1]	
		3	(17) M81-FIELD-17	WFPC2, IMAGE, WFALL-FIX	F300W	CR-SPLIT=NO		Prime + Parallel Gro up 1-4	500.0 Secs [=>500.0 Secs]	[1]	
		4	(17) M81-FIELD-17	WFPC2, IMAGE, WFALL-FIX	F300W	CR-SPLIT=NO		Prime + Parallel Gro up 1-4	500.0 Secs [=>400.0 Secs]	[1]	
		5	(21) M81-FIELD-21	ACS/WFC, ACCUM, WFCENTER	F435W	CR-SPLIT=NO; PAREXP=DEF; GAIN=2	POS TARG 96.816,1 5.06	Prime + Parallel Gro up 5-8	360.0 Secs [=>400.0 Secs]	[1]	
		6	(21) M81-FIELD-21	ACS/WFC, ACCUM, WFCENTER	F606W	CR-SPLIT=NO; PAREXP=DEF; GAIN=2	POS TARG 96.816,1 5.06	Prime + Parallel Gro up 5-8	360.0 Secs [=>450.0 Secs]	[1]	
		7	(21) M81-FIELD-21	WFPC2, IMAGE, WFALL-FIX	F300W	CR-SPLIT=NO		Prime + Parallel Gro up 5-8	500.0 Secs [=>400.0 Secs]	[1]	
		8	(21) M81-FIELD-21	WFPC2, IMAGE, WFALL-FIX	F300W	CR-SPLIT=NO		Prime + Parallel Gro up 5-8	500.0 Secs [=>400.0 Secs]	[1]	

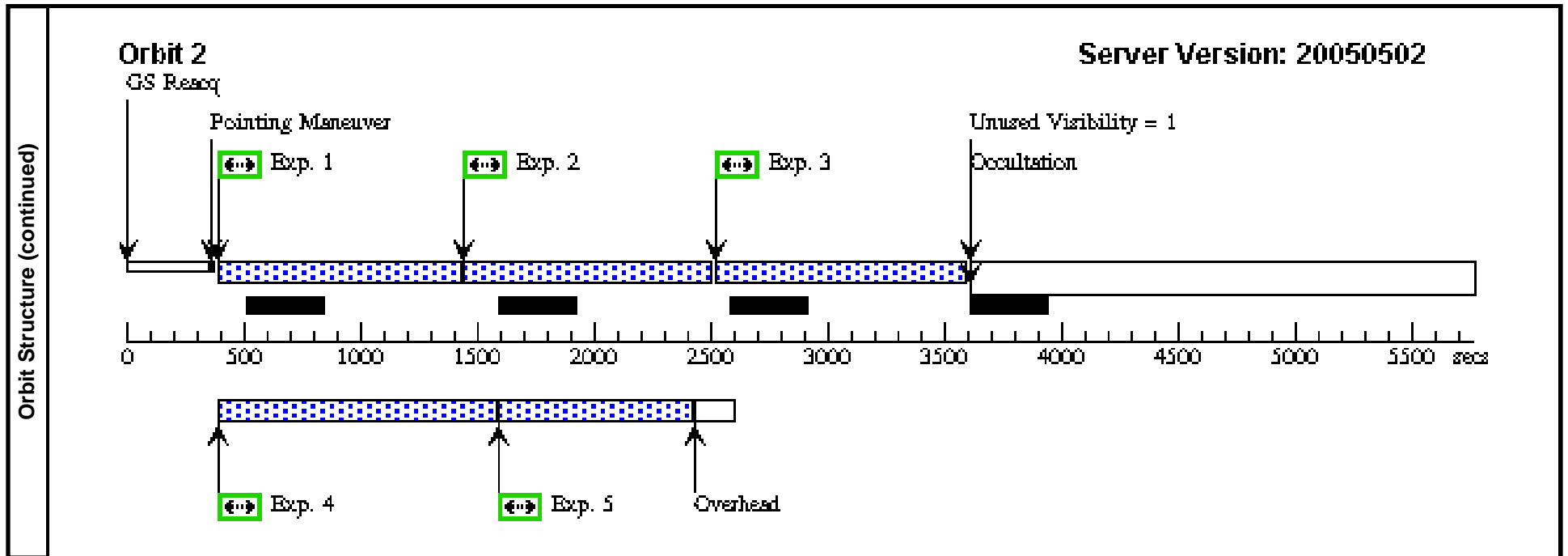


Proposal 10584 - Visit 29 - The link between X-ray source and stellar populations in M81

Mon Jun 20 15:07:00 GMT 2005

Visit	Proposal 10584, Visit 29 Diagnostic Status: No Diagnostics Scientific Instruments: ACS/WFC, WFPC2 Special Requirements: ORIENT 330.0D TO 340.0 D; ORIENT 240.0D TO 250.0 D; ORIENT 150.0D TO 160.0 D; ORIENT 60.0D TO 70.0 D Comments: We would like all observations to be performed with the same orientation. Preferred U3 angle is 335 degrees (90 or 180 degree rotations from this angle are also OK).									
	Patterns	#	Primary Pattern	Secondary Pattern	Exposures					
	(2)	Pattern Type=ACS-WFC-DITHER-LINE Purpose=DITHER Number Of Points=3 Point Spacing=3.011 Line Spacing=	Coordinate Frame=POS-TARG Pattern Orientation=85.3 Angle Between Sides= Center Pattern=false		(1-5)					
Fixed Targets	#	Name	Target Coordinates	Targ. Coord. Corrections	Fluxes	Miscellaneous				
	(1)	M81-FIELD-1 Alt Name1: NGC3031	RA: 09 54 17.1790 (148.5715792d) Dec: +69 13 37.48 (69.22708d) Equinox: J2000 Plate Id: (?)	Radial Velocity: -35.0 km/sec	V=26.0+/-0.0	Coordinate Source: IMAGE_TIED_TO_GSC_FRAME				
Comments: V mag is for the detection limit.										
Exposures	#	Label	Target	Config,Mode,Aperture	Spectral Els.	Opt. Params.	Special Reqs.	Groups	Exp. Time/[Actual Dur.]	Orbit
	1		(1) M81-FIELD-1	ACS/WFC, ACCUM, WFCENTER	F435W	CR-SPLIT=NO; PAREXP=DEF; GAIN=2		Pattern 1-5 (2) Prime + Parallel Group 1-5	360.0 Secs [==>215.0 Secs (Pattern 1)] [==>450.0 Secs (Pattern 2)] [==>900.0 Secs (Pattern 3)]	[1] [2]
	2		(1) M81-FIELD-1	ACS/WFC, ACCUM, WFCENTER	F606W	CR-SPLIT=NO; GAIN=2; PAREXP=DEF		Pattern 1-5 (2) Prime + Parallel Group 1-5	360.0 Secs [==>350.0 Secs (Pattern 1)] [==>350.0 Secs (Pattern 2)] [==>880.0 Secs (Pattern 3)]	[1] [2]
	3		(1) M81-FIELD-1	ACS/WFC, ACCUM, WFCENTER	F814W	CR-SPLIT=NO; GAIN=2		Pattern 1-5 (2) Prime + Parallel Group 1-5	540.0 Secs [==>350.0 Secs (Pattern 1)] [==>350.0 Secs (Pattern 2)] [==>895.0 Secs (Pattern 3)]	[1] [2]
	4		(1) M81-FIELD-1	WFPC2, IMAGE, WFALL-FIX	F300W	CR-SPLIT=NO		Pattern 1-5 (2) Prime + Parallel Group 1-5	250.0 Secs [==>200.0 Secs (Pattern 1)] [==>400.0 Secs (Pattern 2)] [==>900.0 Secs (Pattern 3)]	[1] [2]
	5		(1) M81-FIELD-1	WFPC2, IMAGE, WFALL-FIX	F300W	CR-SPLIT=NO		Pattern 1-5 (2) Prime + Parallel Group 1-5	250.0 Secs [==>400.0 Secs (Pattern 1)] [==>350.0 Secs (Pattern 2)] [==>800.0 Secs (Pattern 3)]	[1] [2]

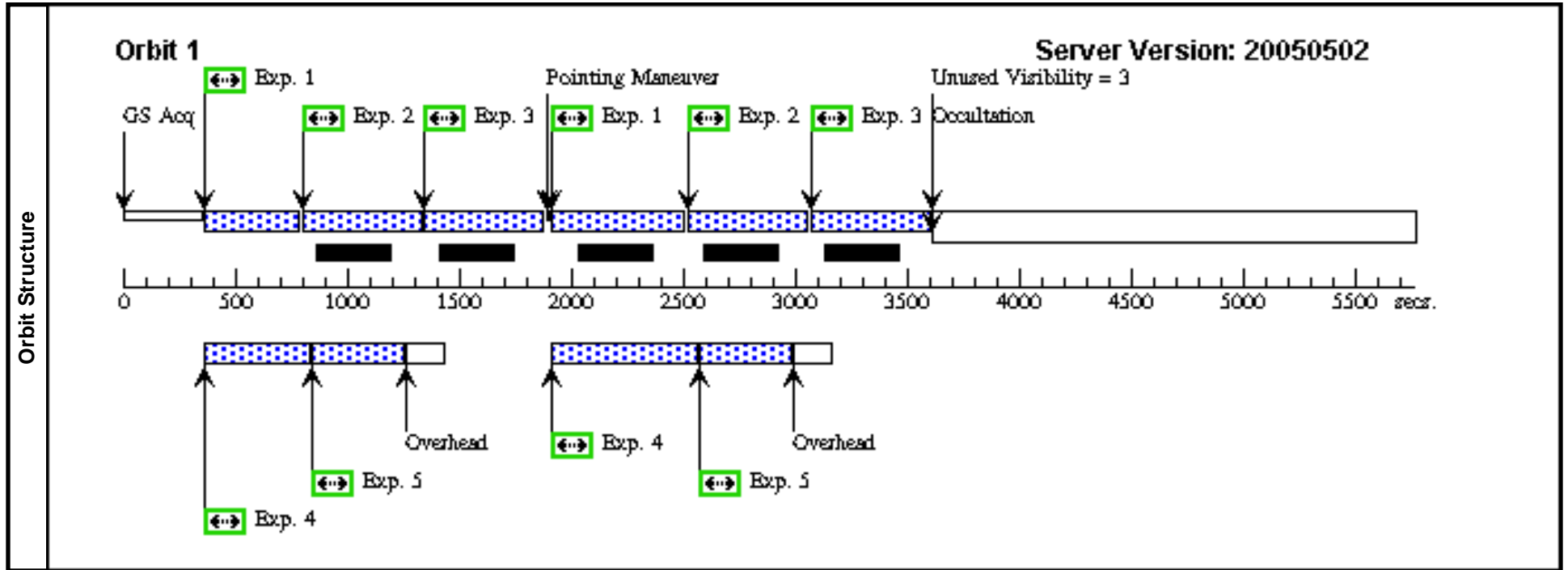


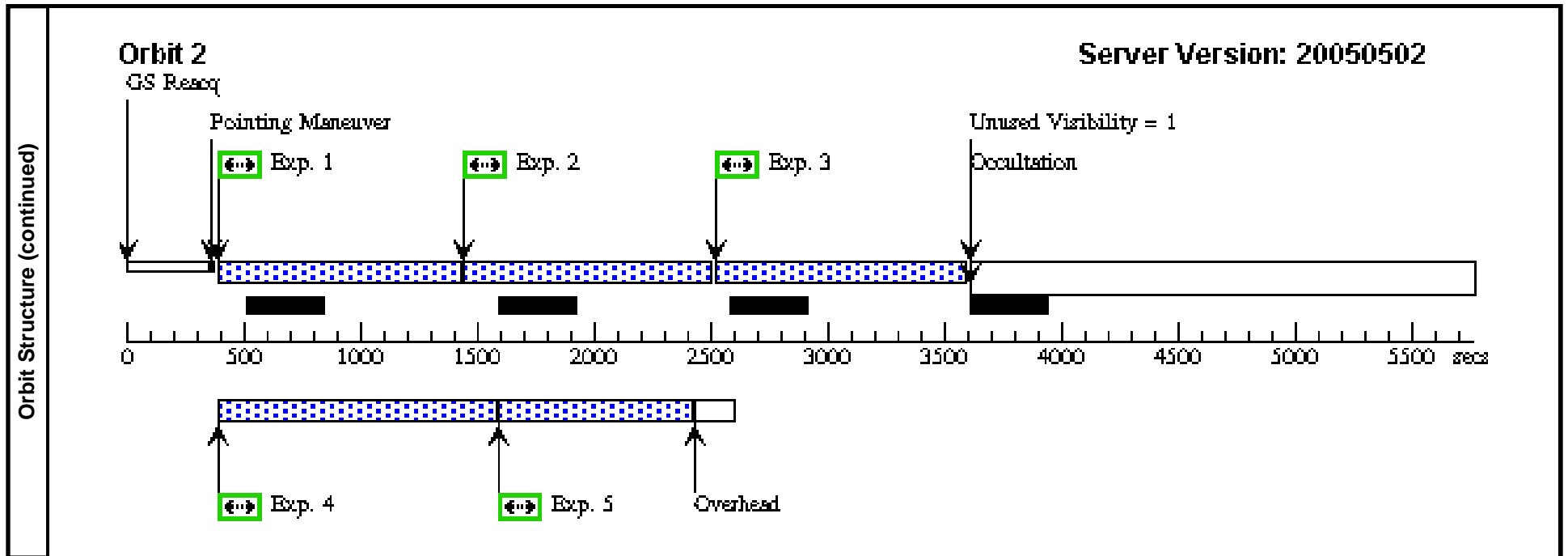


Proposal 10584 - Visit 30 - The link between X-ray source and stellar populations in M81

Mon Jun 20 15:07:02 GMT 2005

Visit	Proposal 10584, Visit 30 Diagnostic Status: No Diagnostics Scientific Instruments: ACS/WFC, WFPC2 Special Requirements: ORIENT 330.0D TO 340.0 D; ORIENT 240.0D TO 250.0 D; ORIENT 150.0D TO 160.0 D; ORIENT 60.0D TO 70.0 D <i>Comments: We would like all observations to be performed with the same orientation. Preferred U3 angle is 335 degrees (90 or 180 degree rotations from this angle are also OK).</i>									
	Patterns	#	Primary Pattern	Secondary Pattern	Exposures					
	(2)	Pattern Type=ACS-WFC-DITHER-LINE Purpose=DITHER Number Of Points=3 Point Spacing=3.011 Line Spacing=	Coordinate Frame=POS-TARG Pattern Orientation=85.3 Angle Between Sides= Center Pattern=false		(1-5)					
Fixed Targets	#	Name	Target Coordinates	Targ. Coord. Corrections	Fluxes	Miscellaneous				
	(2)	M81-FIELD-2 Alt Name1: NGC3031	RA: 09 54 51.3690 (148.7140375d) Dec: +69 14 50.63 (69.24740d) Equinox: J2000 Plate Id: (?)	Radial Velocity: -35.0 km/sec	V=26.0+/-0.0	Coordinate Source: IMAGE_TIED_TO_GSC_FRAME				
<i>Comments: V mag is for the detection limit.</i>										
Exposures	#	Label	Target	Config,Mode,Aperture	Spectral Els.	Opt. Params.	Special Reqs.	Groups	Exp. Time/[Actual Dur.]	Orbit
	1		(2) M81-FIELD-2	ACS/WFC, ACCUM, WFCENTER	F435W	CR-SPLIT=NO; PAREXP=DEF; GAIN=2		Pattern 1-5 (2) Prime + Parallel Group 1-5	360.0 Secs [=>215.0 Secs (Pattern 1)] [=>450.0 Secs (Pattern 2)] [=>900.0 Secs (Pattern 3)]	[1] [2]
	2		(2) M81-FIELD-2	ACS/WFC, ACCUM, WFCENTER	F606W	CR-SPLIT=NO; GAIN=2; PAREXP=DEF		Pattern 1-5 (2) Prime + Parallel Group 1-5	360.0 Secs [=>350.0 Secs (Pattern 1)] [=>350.0 Secs (Pattern 2)] [=>880.0 Secs (Pattern 3)]	[1] [2]
	3		(2) M81-FIELD-2	ACS/WFC, ACCUM, WFCENTER	F814W	CR-SPLIT=NO; GAIN=2		Pattern 1-5 (2) Prime + Parallel Group 1-5	540.0 Secs [=>350.0 Secs (Pattern 1)] [=>350.0 Secs (Pattern 2)] [=>895.0 Secs (Pattern 3)]	[1] [2]
	4		(2) M81-FIELD-2	WFPC2, IMAGE, WFALL-FIX	F300W	CR-SPLIT=NO		Pattern 1-5 (2) Prime + Parallel Group 1-5	250.0 Secs [=>200.0 Secs (Pattern 1)] [=>400.0 Secs (Pattern 2)] [=>900.0 Secs (Pattern 3)]	[1] [2]
	5		(2) M81-FIELD-2	WFPC2, IMAGE, WFALL-FIX	F300W	CR-SPLIT=NO		Pattern 1-5 (2) Prime + Parallel Group 1-5	250.0 Secs [=>400.0 Secs (Pattern 1)] [=>350.0 Secs (Pattern 2)] [=>800.0 Secs (Pattern 3)]	[1] [2]

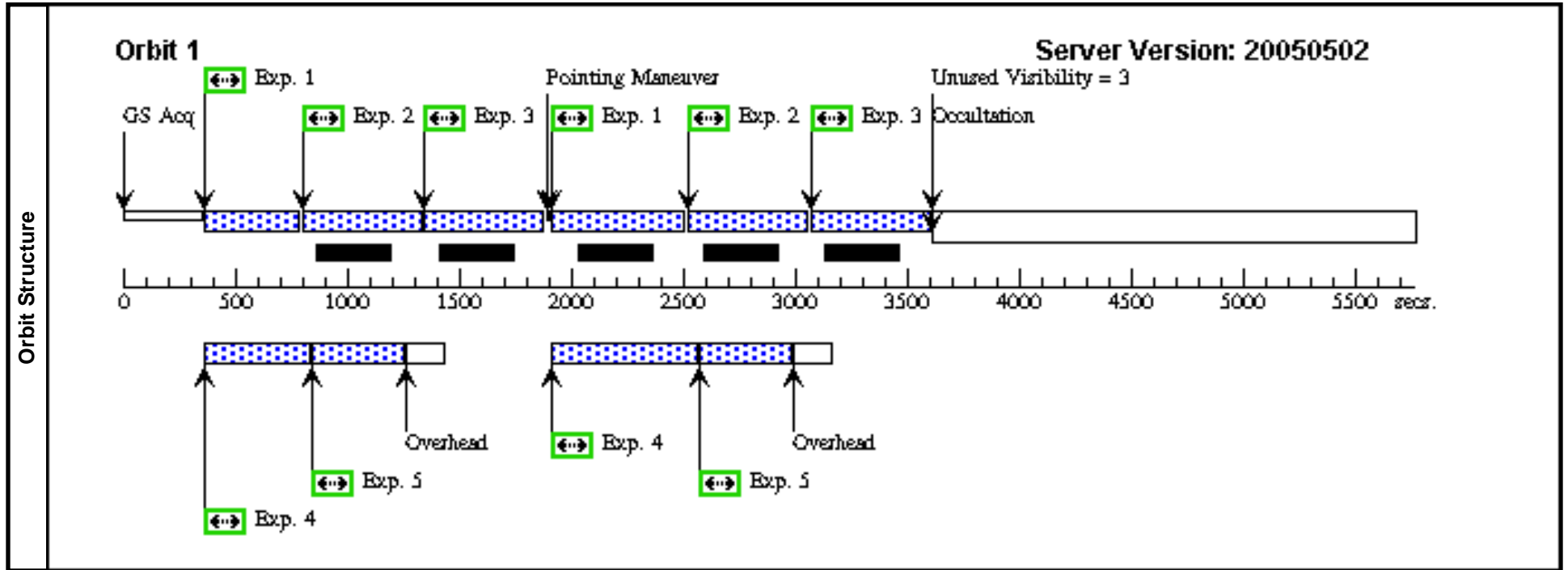


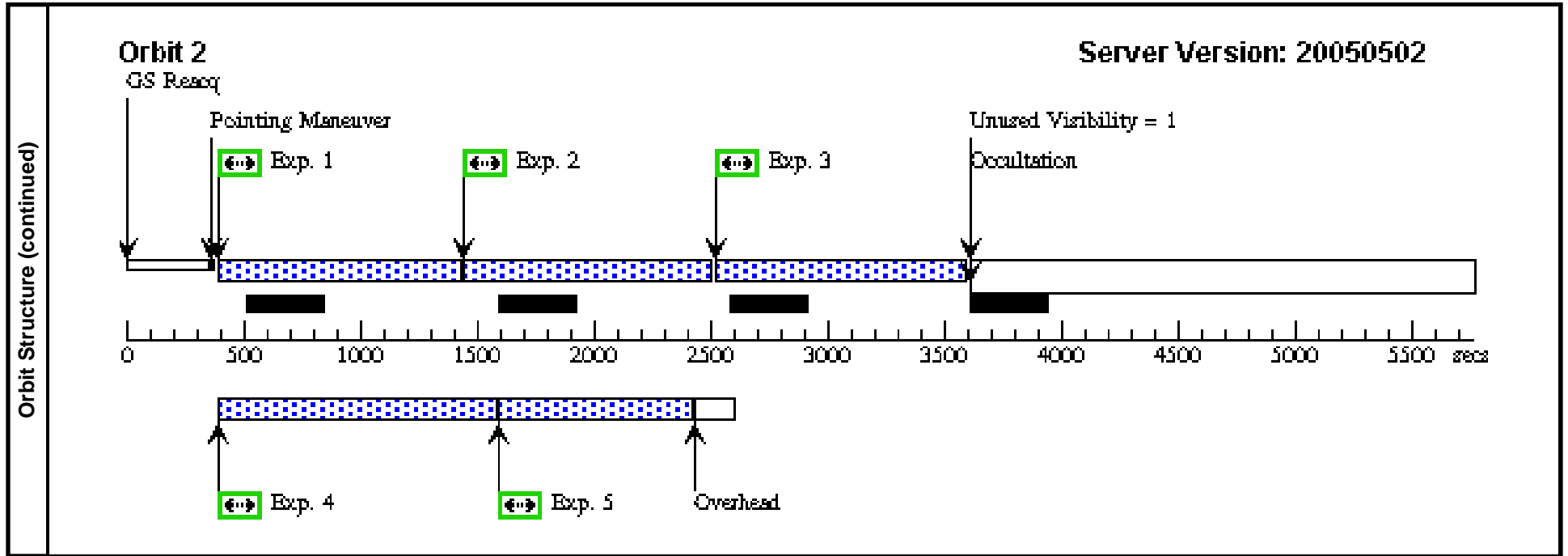


Proposal 10584 - Visit 31 - The link between X-ray source and stellar populations in M81

Mon Jun 20 15:07:04 GMT 2005

Visit	Proposal 10584, Visit 31 Diagnostic Status: No Diagnostics Scientific Instruments: ACS/WFC, WFPC2 Special Requirements: ORIENT 330.0D TO 340.0 D; ORIENT 240.0D TO 250.0 D; ORIENT 150.0D TO 160.0 D; ORIENT 60.0D TO 70.0 D Comments: <i>We would like all observations to be performed with the same orientation. Preferred U3 angle is 335 degrees (90 or 180 degree rotations from this angle are also OK).</i>									
	Patterns	#	Primary Pattern	Secondary Pattern	Exposures					
	(2)	Pattern Type=ACS-WFC-DITHER-LINE Purpose=DITHER Number Of Points=3 Point Spacing=3.011 Line Spacing=	Coordinate Frame=POS-TARG Pattern Orientation=85.3 Angle Between Sides= Center Pattern=false		(1-5)					
Fixed Targets	#	Name	Target Coordinates	Targ. Coord. Corrections	Fluxes	Miscellaneous				
	(27)	M81-FIELD-27 Alt Name1: NGC3031	RA: 09 55 58.1200 (148.9921667d) Dec: +68 53 24.05 (68.89001d) Equinox: J2000 Plate Id: (?)	Radial Velocity: -35.0 km/sec	V=26.0+/-0.0	Coordinate Source: IMAGE_TIED_TO_GSC_FRAME				
Comments: <i>V mag is for the detection limit.</i>										
Exposures	#	Label	Target	Config,Mode,Aperture	Spectral Els.	Opt. Params.	Special Reqs.	Groups	Exp. Time/[Actual Dur.]	Orbit
	1		(27) M81-FIELD-27	ACS/WFC, ACCUM, WFCENTER	F435W	CR-SPLIT=NO; PAREXP=DEF; GAIN=2		Pattern 1-5 (2) Prime + Parallel Group 1-5	360.0 Secs [==>215.0 Secs (Pattern 1)] [==>450.0 Secs (Pattern 2)] [==>900.0 Secs (Pattern 3)]	[1] [2]
	2		(27) M81-FIELD-27	ACS/WFC, ACCUM, WFCENTER	F606W	CR-SPLIT=NO; GAIN=2; PAREXP=DEF		Pattern 1-5 (2) Prime + Parallel Group 1-5	360.0 Secs [==>350.0 Secs (Pattern 1)] [==>350.0 Secs (Pattern 2)] [==>880.0 Secs (Pattern 3)]	[1] [2]
	3		(27) M81-FIELD-27	ACS/WFC, ACCUM, WFCENTER	F814W	CR-SPLIT=NO; GAIN=2		Pattern 1-5 (2) Prime + Parallel Group 1-5	540.0 Secs [==>350.0 Secs (Pattern 1)] [==>350.0 Secs (Pattern 2)] [==>895.0 Secs (Pattern 3)]	[1] [2]
	4		(27) M81-FIELD-27	WFPC2, IMAGE, WFALL-FIX	F300W	CR-SPLIT=NO		Pattern 1-5 (2) Prime + Parallel Group 1-5	250.0 Secs [==>200.0 Secs (Pattern 1)] [==>400.0 Secs (Pattern 2)] [==>900.0 Secs (Pattern 3)]	[1] [2]
	5		(27) M81-FIELD-27	WFPC2, IMAGE, WFALL-FIX	F300W	CR-SPLIT=NO		Pattern 1-5 (2) Prime + Parallel Group 1-5	250.0 Secs [==>400.0 Secs (Pattern 1)] [==>350.0 Secs (Pattern 2)] [==>800.0 Secs (Pattern 3)]	[1] [2]

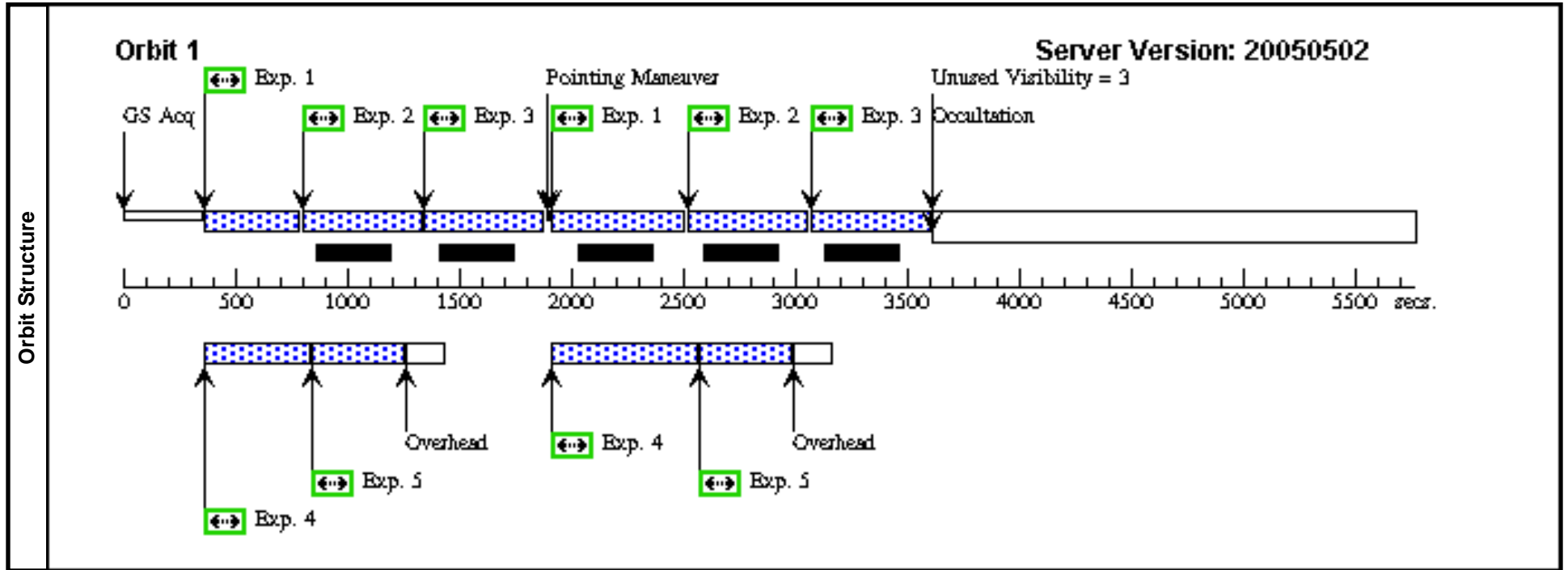


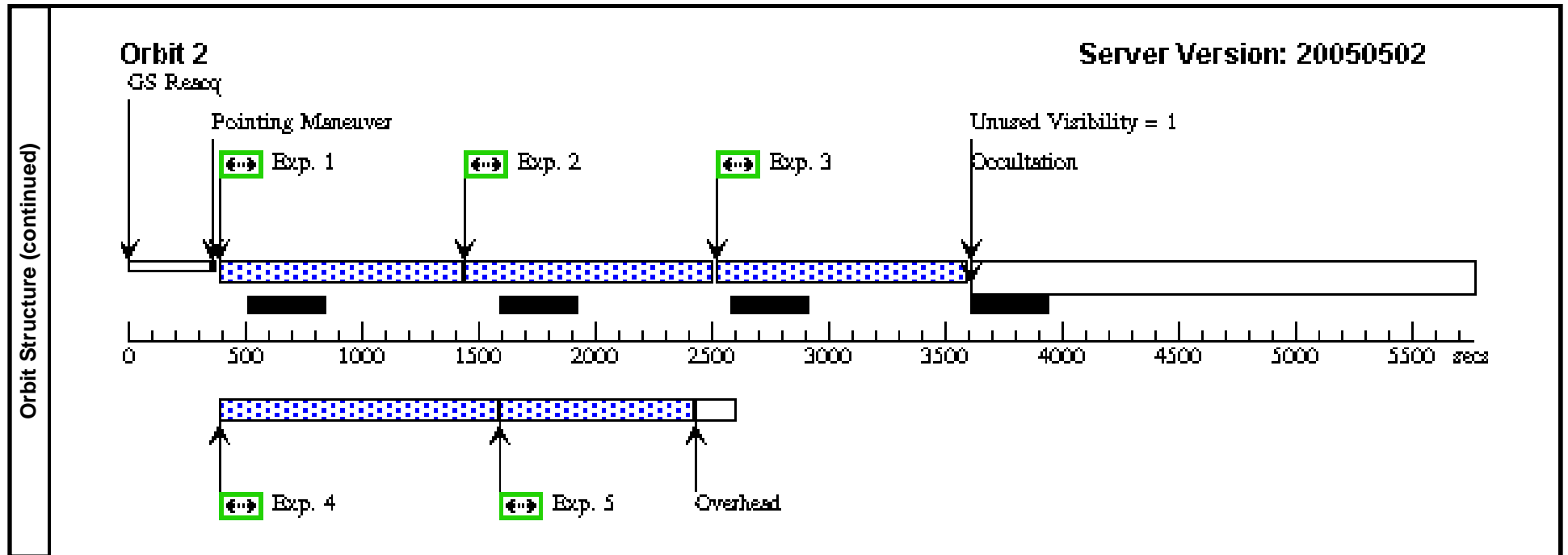


Proposal 10584 - Visit 32 - The link between X-ray source and stellar populations in M81

Mon Jun 20 15:07:06 GMT 2005

Visit	Proposal 10584, Visit 32 Diagnostic Status: No Diagnostics Scientific Instruments: ACS/WFC, WFPC2 Special Requirements: ORIENT 330.0D TO 340.0 D; ORIENT 240.0D TO 250.0 D; ORIENT 150.0D TO 160.0 D; ORIENT 60.0D TO 70.0 D Comments: We would like all observations to be performed with the same orientation. Preferred U3 angle is 335 degrees (90 or 180 degree rotations from this angle are also OK).									
	Patterns	#	Primary Pattern			Secondary Pattern			Exposures	
		(2)	Pattern Type=ACS-WFC-DITHER-LINE Purpose=DITHER Number Of Points=3 Point Spacing=3.011 Line Spacing=	Coordinate Frame=POS-TARG Pattern Orientation=85.3 Angle Between Sides= Center Pattern=false					(1-5)	
Fixed Targets	#	Name	Target Coordinates	Targ. Coord. Corrections	Fluxes	Miscellaneous				
	(28)	M81-FIELD-28 Alt Name1: NGC3031	RA: 09 56 28.2370 (149.1176542d) Dec: +68 54 39.74 (68.91104d) Equinox: J2000 Plate Id: (?)	Radial Velocity: -35.0 km/sec	V=26.0+/-0.0	Coordinate Source: IMAGE_TIED_TO_GSC_FRAME				
	Comments: V mag is for the detection limit.									
Exposures	#	Label	Target	Config,Mode,Aperture	Spectral Els.	Opt. Params.	Special Reqs.	Groups	Exp. Time/[Actual Dur.]	Orbit
	1		(28) M81-FIELD-28	ACS/WFC, ACCUM, WFCENTER	F435W	CR-SPLIT=NO; PAREXP=DEF; GAIN=2		Pattern 1-5 (2) Prime + Parallel Group 1-5	360.0 Secs [=>215.0 Secs (Pattern 1)] [=>450.0 Secs (Pattern 2)] [=>900.0 Secs (Pattern 3)]	[1] [2]
	2		(28) M81-FIELD-28	ACS/WFC, ACCUM, WFCENTER	F606W	CR-SPLIT=NO; GAIN=2; PAREXP=DEF		Pattern 1-5 (2) Prime + Parallel Group 1-5	360.0 Secs [=>350.0 Secs (Pattern 1)] [=>350.0 Secs (Pattern 2)] [=>880.0 Secs (Pattern 3)]	[1] [2]
	3		(28) M81-FIELD-28	ACS/WFC, ACCUM, WFCENTER	F814W	CR-SPLIT=NO; GAIN=2		Pattern 1-5 (2) Prime + Parallel Group 1-5	540.0 Secs [=>350.0 Secs (Pattern 1)] [=>350.0 Secs (Pattern 2)] [=>895.0 Secs (Pattern 3)]	[1] [2]
	4		(28) M81-FIELD-28	WFPC2, IMAGE, WFALL-FIX	F300W	CR-SPLIT=NO		Pattern 1-5 (2) Prime + Parallel Group 1-5	250.0 Secs [=>200.0 Secs (Pattern 1)] [=>400.0 Secs (Pattern 2)] [=>900.0 Secs (Pattern 3)]	[1] [2]
	5		(28) M81-FIELD-28	WFPC2, IMAGE, WFALL-FIX	F300W	CR-SPLIT=NO		Pattern 1-5 (2) Prime + Parallel Group 1-5	250.0 Secs [=>400.0 Secs (Pattern 1)] [=>350.0 Secs (Pattern 2)] [=>800.0 Secs (Pattern 3)]	[1] [2]





Proposal 10584 - Visit 33 - The link between X-ray source and stellar populations in M81

Mon Jun 20 15:07:08 GMT 2005

Visit	Proposal 10584, Visit 33 Diagnostic Status: No Diagnostics Scientific Instruments: ACS/WFC, WFPC2 Special Requirements: ORIENT 330.0D TO 340.0 D; ORIENT 240.0D TO 250.0 D; ORIENT 150.0D TO 160.0 D; ORIENT 60.0D TO 70.0 D Comments: We would like all observations to be performed with the same orientation. Preferred U3 angle is 335 degrees (90 or 180 degree rotations from this angle are also OK).									
	Patterns	#	Primary Pattern	Secondary Pattern	Exposures					
	(2)	Pattern Type=ACS-WFC-DITHER-LINE Purpose=DITHER Number Of Points=3 Point Spacing=3.011 Line Spacing=	Coordinate Frame=POS-TARG Pattern Orientation=85.3 Angle Between Sides= Center Pattern=false		(1-5)					
Fixed Targets	#	Name	Target Coordinates	Targ. Coord. Corrections	Fluxes	Miscellaneous				
	(29)	M81-FIELD-29 Alt Name1: NGC3031	RA: 09 57 0.9190 (149.2538292d) Dec: +68 55 53.49 (68.93153d) Equinox: J2000 Plate Id: (?)	Radial Velocity: -35.0 km/sec	V=26.0+/-0.0	Coordinate Source: IMAGE_TIED_TO_GSC_FRAME				
Comments: V mag is for the detection limit.										
Exposures	#	Label	Target	Config,Mode,Aperture	Spectral Els.	Opt. Params.	Special Reqs.	Groups	Exp. Time/[Actual Dur.]	Orbit
	1		(29) M81-FIELD-29	ACS/WFC, ACCUM, WFCENTER	F435W	CR-SPLIT=NO; PAREXP=DEF; GAIN=2		Pattern 1-5 (2) Prime + Parallel Group 1-5	360.0 Secs [==>215.0 Secs (Pattern 1)] [==>450.0 Secs (Pattern 2)] [==>900.0 Secs (Pattern 3)]	[1] [2]
	2		(29) M81-FIELD-29	ACS/WFC, ACCUM, WFCENTER	F606W	CR-SPLIT=NO; GAIN=2; PAREXP=DEF		Pattern 1-5 (2) Prime + Parallel Group 1-5	360.0 Secs [==>350.0 Secs (Pattern 1)] [==>350.0 Secs (Pattern 2)] [==>880.0 Secs (Pattern 3)]	[1] [2]
	3		(29) M81-FIELD-29	ACS/WFC, ACCUM, WFCENTER	F814W	CR-SPLIT=NO; GAIN=2		Pattern 1-5 (2) Prime + Parallel Group 1-5	540.0 Secs [==>350.0 Secs (Pattern 1)] [==>350.0 Secs (Pattern 2)] [==>895.0 Secs (Pattern 3)]	[1] [2]
	4		(29) M81-FIELD-29	WFPC2, IMAGE, WFALL-FIX	F300W	CR-SPLIT=NO		Pattern 1-5 (2) Prime + Parallel Group 1-5	250.0 Secs [==>200.0 Secs (Pattern 1)] [==>400.0 Secs (Pattern 2)] [==>900.0 Secs (Pattern 3)]	[1] [2]
	5		(29) M81-FIELD-29	WFPC2, IMAGE, WFALL-FIX	F300W	CR-SPLIT=NO		Pattern 1-5 (2) Prime + Parallel Group 1-5	250.0 Secs [==>400.0 Secs (Pattern 1)] [==>350.0 Secs (Pattern 2)] [==>800.0 Secs (Pattern 3)]	[1] [2]

