



10842 - A Cepheid Distance to the Coma Cluster

Cycle: 15, Proposal Category: GO

(Large Program)

(Availability Mode: AVAILABLE)

INVESTIGATORS

<i>Name</i>	<i>Institution</i>	<i>E-Mail</i>
Dr. Kem Cook (PI)	Lawrence Livermore National Laboratory	kcook@llnl.org
Dr. Michael D. Gregg (CoI)	University of California - Davis	gregg@igpp.ucllnl.org
Dr. Lucas M. Macri (CoI)	National Optical Astronomy Observatories, AURA	lmacri@noao.edu
Dr. Jeremy R. Mould (CoI)	National Optical Astronomy Observatories, AURA	jmould@noao.edu
Dr. Peter B. Stetson (CoI)	Dominion Astrophysical Observatory	stetson@hia.nrc.ca
Dr. Douglas L. Welch (CoI)	McMaster University	welch@dogwood.physics.mcmaster.ca

VISITS

<i>Visit</i>	<i>Targets used in Visit</i>	<i>Configurations used in Visit</i>	<i>Orbits Used</i>	<i>Last Orbit Planner Run</i>	<i>OP Current with Visit?</i>
W1	(1) NGC4911-WFC ANY	ACS/WFC NIC3 WFPC2	5	18-Jan-2007 21:03:00.0	yes
H1	(2) NGC4911-HRC ANY	ACS/HRC NIC3 WFPC2	5	18-Jan-2007 21:03:22.0	yes

<i>Visit</i>	<i>Targets used in Visit</i>	<i>Configurations used in Visit</i>	<i>Orbits Used</i>	<i>Last Orbit Planner Run</i>	<i>OP Current with Visit?</i>
A1	(3) NGC4911-PA296-A ANY	ACS/WFC NIC3 WFPC2	5	18-Jan-2007 21:03:39.0	yes
A2	(3) NGC4911-PA296-A ANY	ACS/WFC NIC3 WFPC2	5	18-Jan-2007 21:03:59.0	yes
AU	(3) NGC4911-PA296-A ANY	ACS/WFC NIC3 WFPC2	5	18-Jan-2007 21:04:15.0	yes
AV	(3) NGC4911-PA296-A ANY	ACS/WFC NIC3 WFPC2	5	18-Jan-2007 21:04:31.0	yes
A3	(3) NGC4911-PA296-A ANY	ACS/WFC NIC3 WFPC2	5	18-Jan-2007 21:04:50.0	yes
A4	(3) NGC4911-PA296-A ANY	ACS/WFC NIC3 WFPC2	5	18-Jan-2007 21:05:06.0	yes
A5	(9) NGC4911-PA296-B ANY	ACS/WFC NIC3 WFPC2	5	18-Jan-2007 21:05:24.0	yes
A6	(9) NGC4911-PA296-B ANY	ACS/WFC NIC3 WFPC2	5	18-Jan-2007 21:05:40.0	yes

Proposal 10842 (STScI Edit Number: 17, Created: Thursday, January 18, 2007 9:14:51 PM EST) - Overview

<i>Visit</i>	<i>Targets used in Visit</i>	<i>Configurations used in Visit</i>	<i>Orbits Used</i>	<i>Last Orbit Planner Run</i>	<i>OP Current with Visit?</i>
AW	(9) NGC4911-PA296-B ANY	ACS/WFC NIC3 WFPC2	5	18-Jan-2007 21:05:56.0	yes
AX	(9) NGC4911-PA296-B ANY	ACS/WFC NIC3 WFPC2	5	18-Jan-2007 21:06:14.0	yes
A7	(4) NGC4911-PA266 ANY	ACS/WFC NIC3 WFPC2	5	18-Jan-2007 21:06:29.0	yes
A8	(4) NGC4911-PA266 ANY	ACS/WFC NIC3 WFPC2	5	18-Jan-2007 21:06:48.0	yes
A9	(5) NGC4911-PA233 ANY	ACS/WFC NIC3 WFPC2	5	18-Jan-2007 21:07:03.0	yes
AA	(5) NGC4911-PA233 ANY	ACS/WFC NIC3 WFPC2	5	18-Jan-2007 21:07:22.0	yes
AY	(5) NGC4911-PA233 ANY	ACS/WFC NIC3 WFPC2	5	18-Jan-2007 21:07:38.0	yes
AZ	(5) NGC4911-PA233 ANY	ACS/WFC NIC3 WFPC2	5	18-Jan-2007 21:07:55.0	yes

<i>Visit</i>	<i>Targets used in Visit</i>	<i>Configurations used in Visit</i>	<i>Orbits Used</i>	<i>Last Orbit Planner Run</i>	<i>OP Current with Visit?</i>
AB	(5) NGC4911-PA233 ANY	ACS/WFC NIC3 WFPC2	5	18-Jan-2007 21:08:14.0	yes
AC	(5) NGC4911-PA233 ANY	ACS/WFC NIC3 WFPC2	5	18-Jan-2007 21:08:30.0	yes
B1	(6) NGC4921-PA299 ANY	ACS/WFC NIC3 WFPC2	5	18-Jan-2007 21:08:50.0	yes
B2	(6) NGC4921-PA299 ANY	ACS/WFC NIC3 WFPC2	5	18-Jan-2007 21:09:06.0	yes
BU	(6) NGC4921-PA299 ANY	ACS/WFC NIC3 WFPC2	5	18-Jan-2007 21:09:27.0	yes
BV	(6) NGC4921-PA299 ANY	ACS/WFC NIC3 WFPC2	5	18-Jan-2007 21:09:44.0	yes
B3	(6) NGC4921-PA299 ANY	ACS/WFC NIC3 WFPC2	5	18-Jan-2007 21:10:00.0	yes
B4	(6) NGC4921-PA299 ANY	ACS/WFC NIC3 WFPC2	5	18-Jan-2007 21:10:21.0	yes

<i>Visit</i>	<i>Targets used in Visit</i>	<i>Configurations used in Visit</i>	<i>Orbits Used</i>	<i>Last Orbit Planner Run</i>	<i>OP Current with Visit?</i>
B5	(7) NGC4921-PA266 ANY	ACS/WFC NIC3 WFPC2	5	18-Jan-2007 21:10:38.0	yes
B6	(7) NGC4921-PA266 ANY	ACS/WFC NIC3 WFPC2	5	18-Jan-2007 21:10:58.0	yes
BW	(7) NGC4921-PA266 ANY	ACS/WFC NIC3 WFPC2	5	18-Jan-2007 21:11:15.0	yes
BX	(7) NGC4921-PA266 ANY	ACS/WFC NIC3 WFPC2	5	18-Jan-2007 21:11:36.0	yes
B7	(7) NGC4921-PA266 ANY	ACS/WFC NIC3 WFPC2	5	18-Jan-2007 21:11:53.0	yes
B8	(7) NGC4921-PA266 ANY	ACS/WFC NIC3 WFPC2	5	18-Jan-2007 21:12:11.0	yes
B9	(8) NGC4921-PA233 ANY	ACS/WFC NIC3 WFPC2	5	18-Jan-2007 21:12:32.0	yes
BA	(8) NGC4921-PA233 ANY	ACS/WFC NIC3 WFPC2	5	18-Jan-2007 21:12:49.0	yes

<i>Visit</i>	<i>Targets used in Visit</i>	<i>Configurations used in Visit</i>	<i>Orbits Used</i>	<i>Last Orbit Planner Run</i>	<i>OP Current with Visit?</i>
BT	(8) NGC4921-PA233 ANY	ACS/WFC NIC3 WFPC2	5	18-Jan-2007 21:13:10.0	yes
BZ	(8) NGC4921-PA233 ANY	ACS/WFC NIC3 WFPC2	5	18-Jan-2007 21:13:28.0	yes
BB	(8) NGC4921-PA233 ANY	ACS/WFC NIC3 WFPC2	5	18-Jan-2007 21:13:50.0	yes
BC	(8) NGC4921-PA233 ANY	ACS/WFC NIC3 WFPC2	5	18-Jan-2007 21:14:08.0	yes
C2	(4) NGC4911-PA266 ANY	ACS/WFC NIC3 WFPC2	5	18-Jan-2007 21:14:26.0	yes
CV	(4) NGC4911-PA266 ANY	ACS/WFC NIC3 WFPC2	5	18-Jan-2007 21:14:47.0	yes

200 Total Orbits Used

ABSTRACT

We propose to use the Advanced Camera for Surveys to search for Cepheid variables in two spiral galaxies in the core of the Coma cluster. A direct application of the canonical primary distance indicator at 100 Mpc will measure the far-field Hubble constant free of many of the systematic uncertainties which beset current determinations relying on secondary indicators. Establishing the far-field H_0 with Cepheids will provide one of the strongest links in the extragalactic distance scale and will directly calibrate the fiducial fundamental plane of elliptical galaxies in Coma.

With ACS/HRC, S/N=5 to 10 or better can be reached for Cepheids with periods of 40d to 70d at mean light in 5 orbits with the F606W filter if $H_0=72$ km/s/Mpc. Efficient detection and phasing can be done with twelve epochs optimally spaced for periods of 40-70d.

OBSERVING DESCRIPTION

The observations will consist of a dozen 5-orbit visits using F606W and six 5-orbit visits using F814W to NGC4911, and similar set for NGC4921. This duplicates the observing strategy of the Key Project.

The hefty request for I-band observations is made because the precision in I-band governs the error budget in reddening estimates which are critical to obtaining $\langle M \rangle$; it is prudent to attempt to match photometric uncertainties in both filters as closely as possible. These data provide near optimum imaging for detection and phasing of Cepheids with periods of 45 to 90 days. Each orbit will consist of a CRsplit WFC exposure. To attain maximum photometric depth, we will not dither during a visit so that all five orbits can be stacked without resampling; this also minimizes the area impacted by hot pixels which we will mask or interpolate over.

We will dither in very small steps between visits. Even with the long exposures, we estimate that <10 pixels will be lost to CRs. Each orbit has a 53 minute visibility period or longer so each 5-orbit visit will total 12500s of open shutter time.

All available windows from mid-December to mid-March with visibility periods of 53 minutes or longer are acceptable (needed) for this program.

We have found it necessary to use three orients (299, 266, and 233) to schedule the observations over the 90d window needed to phase the longest period Cepheids.

We have optimized the sampling intervals for maximum detection and phasing efficiency for Cepheids with periods of 45-90d; the success of the program is contingent upon maintaining these spacings, at least approximately.

The parallel NICMOS and WFPC2 deep field imaging observing strategy is dictated by the Cepheid observations. The time will be divided roughly equally among the F450W, F606W, and F814W for WFPC2 and F110W and F160W for NICMOS Camera 3.

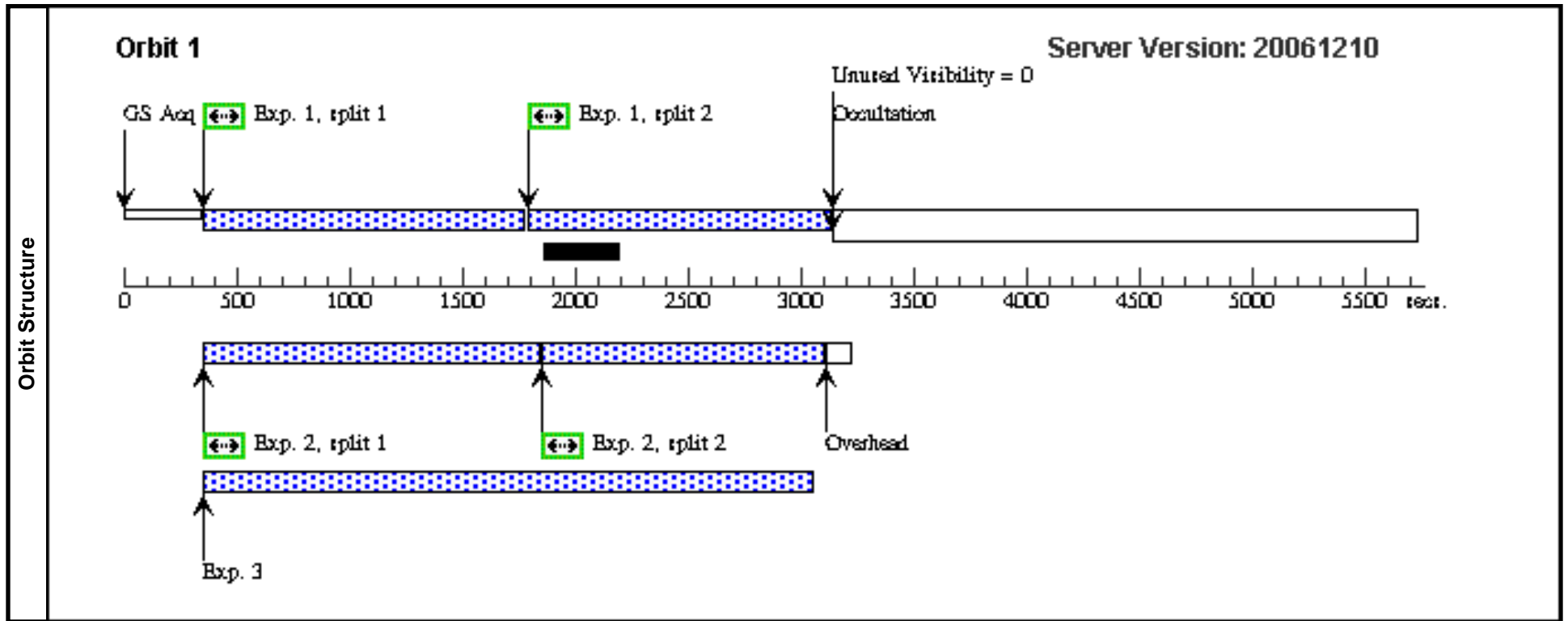
Proposal 10842 - Visit W1 - A Cepheid Distance to the Coma Cluster

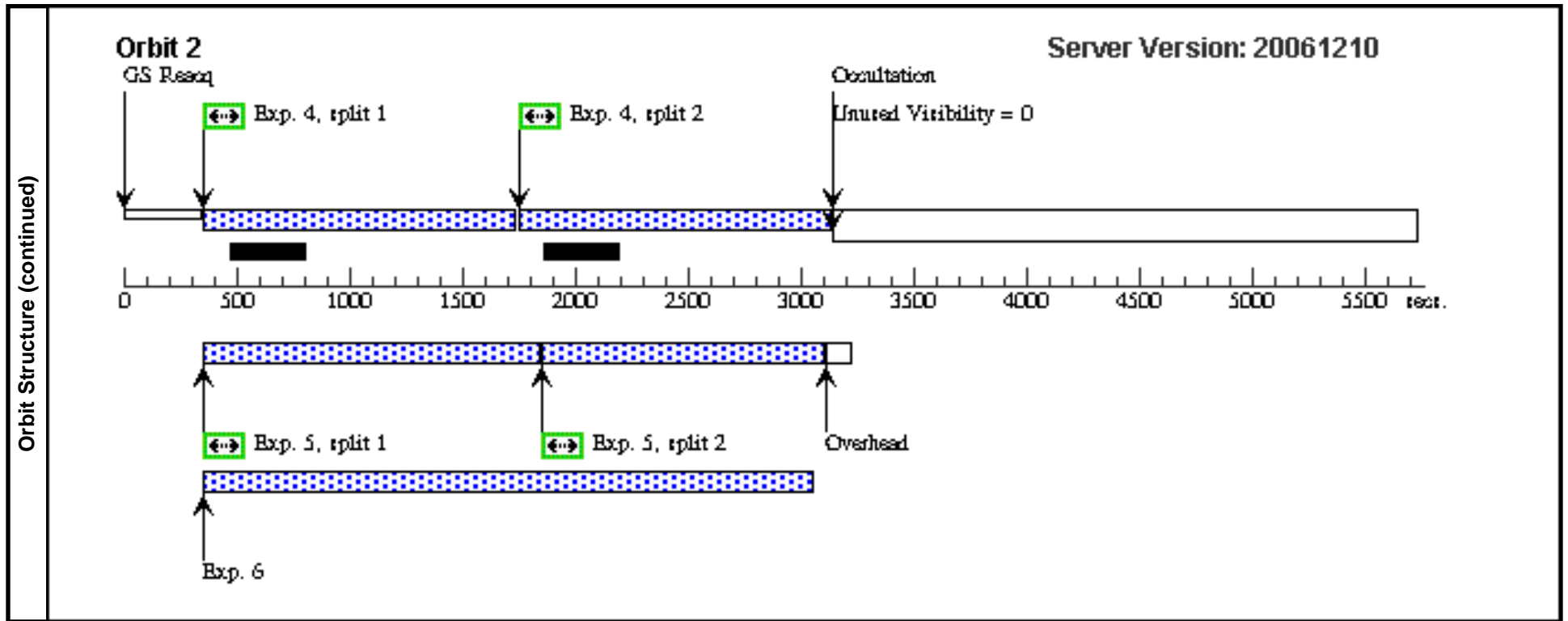
Fri Jan 19 02:14:52 GMT 2007

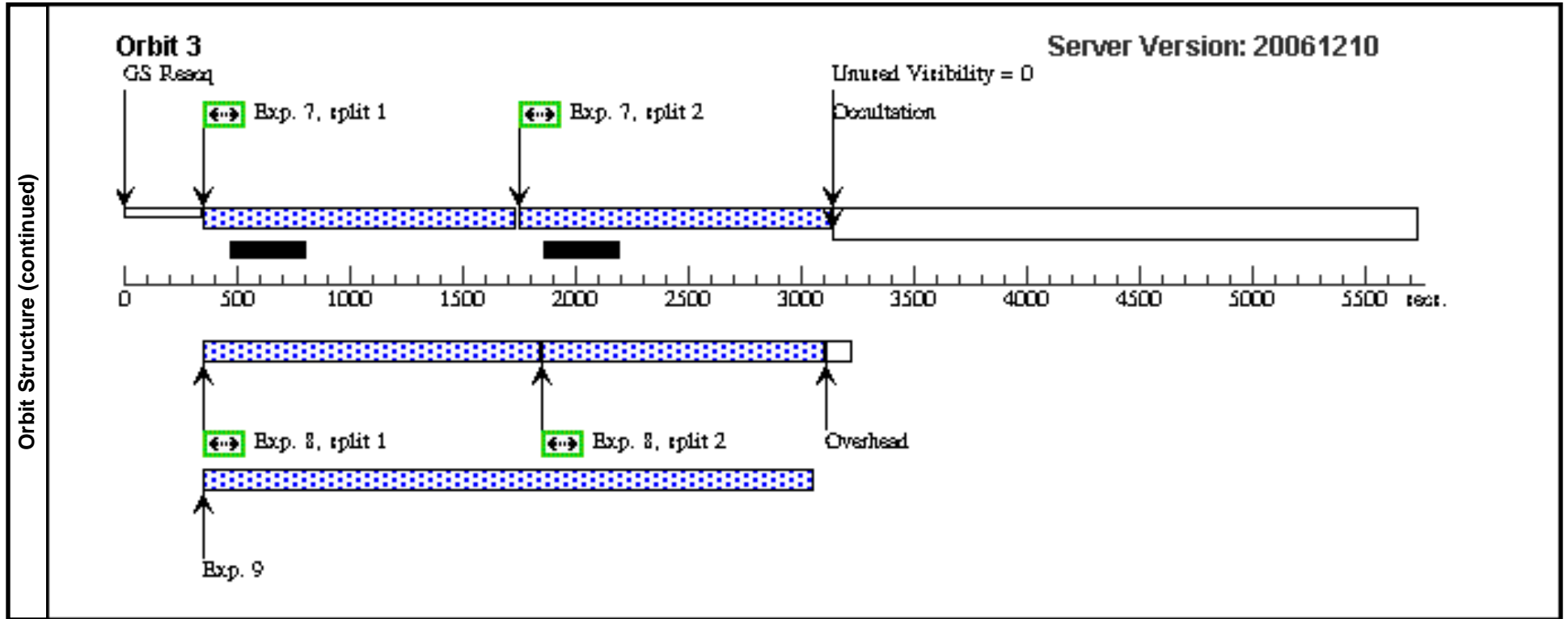
Visit	Proposal 10842, Visit W1, completed Diagnostic Status: No Diagnostics Scientific Instruments: ACS/WFC, WFPC2, NIC3 Special Requirements: PCS MODE FINE; ORIENT 142.0D TO 142.0 D; BETWEEN 20-MAY-2006:19:00:39 AND 03-JUN-2006:19:00:39									
	Fixed Targets	#	Name	Target Coordinates	Targ. Coord. Corrections	Fluxes	Miscellaneous			
	(1)	NGC4911-WFC	RA: 13 00 55.8700 (195.2327917d) Dec: +27 47 28.00 (27.79111d) Equinox: J2000			V=13.0	Reference Frame: ICRS			
Exposures	#	Label	Target	Config,Mode,Aperture	Spectral Els.	Opt. Params.	Special Reqs.	Groups	Exp. Time/[Actual Dur.]	Orbit
	1		(1) NGC4911-WFC	ACS/WFC, ACCUM, WFC2-FIX	F606W	CR-SPLIT=2; GAIN=2	POS TARG 0,0	Prime + Parallel Group 1-3	2400.0 Secs [==>1220.0 Secs (Split 1)] [==>1220.0 Secs (Split 2)]	[1]
	2		ANY	WFPC2, IMAGE, WFALL	F606W	CLOCKS=YES; CR-SPLIT=DEF		Prime + Parallel Group 1-3	2400.0 Secs [==>1300.0 Secs (Split 1)] [==>1200.0 Secs (Split 2)]	[1]
	3		ANY	NIC3, MULTIACCUM, NIC3-FIX	F160W	SAMP-SEQ=SPARS 128; OFFSET=SAM; NSAMP=23		Prime + Parallel Group 1-3	[==>]	[1]
	4		(1) NGC4911-WFC	ACS/WFC, ACCUM, WFC2-FIX	F606W	CR-SPLIT=2; GAIN=2	SAME POS AS 1	Prime + Parallel Group 4-6	2400.0 Secs [==>1261.0 Secs (Split 1)] [==>1261.0 Secs (Split 2)]	[2]
	5		ANY	WFPC2, IMAGE, WFALL	F606W	CLOCKS=YES; CR-SPLIT=DEF		Prime + Parallel Group 4-6	2400.0 Secs [==>1300.0 Secs (Split 1)] [==>1200.0 Secs (Split 2)]	[2]
	6		ANY	NIC3, MULTIACCUM, NIC3-FIX	F110W	SAMP-SEQ=SPARS 128; OFFSET=SAM; NSAMP=23		Prime + Parallel Group 4-6	[==>]	[2]
	7		(1) NGC4911-WFC	ACS/WFC, ACCUM, WFC2-FIX	F606W	CR-SPLIT=2; GAIN=2	SAME POS AS 1	Prime + Parallel Group 7-9	2400.0 Secs [==>1261.0 Secs (Split 1)] [==>1261.0 Secs (Split 2)]	[3]
8		ANY	WFPC2, IMAGE, WFALL	F814W	CLOCKS=YES; CR-SPLIT=DEF		Prime + Parallel Group 7-9	2400.0 Secs [==>1300.0 Secs (Split 1)] [==>1200.0 Secs (Split 2)]	[3]	

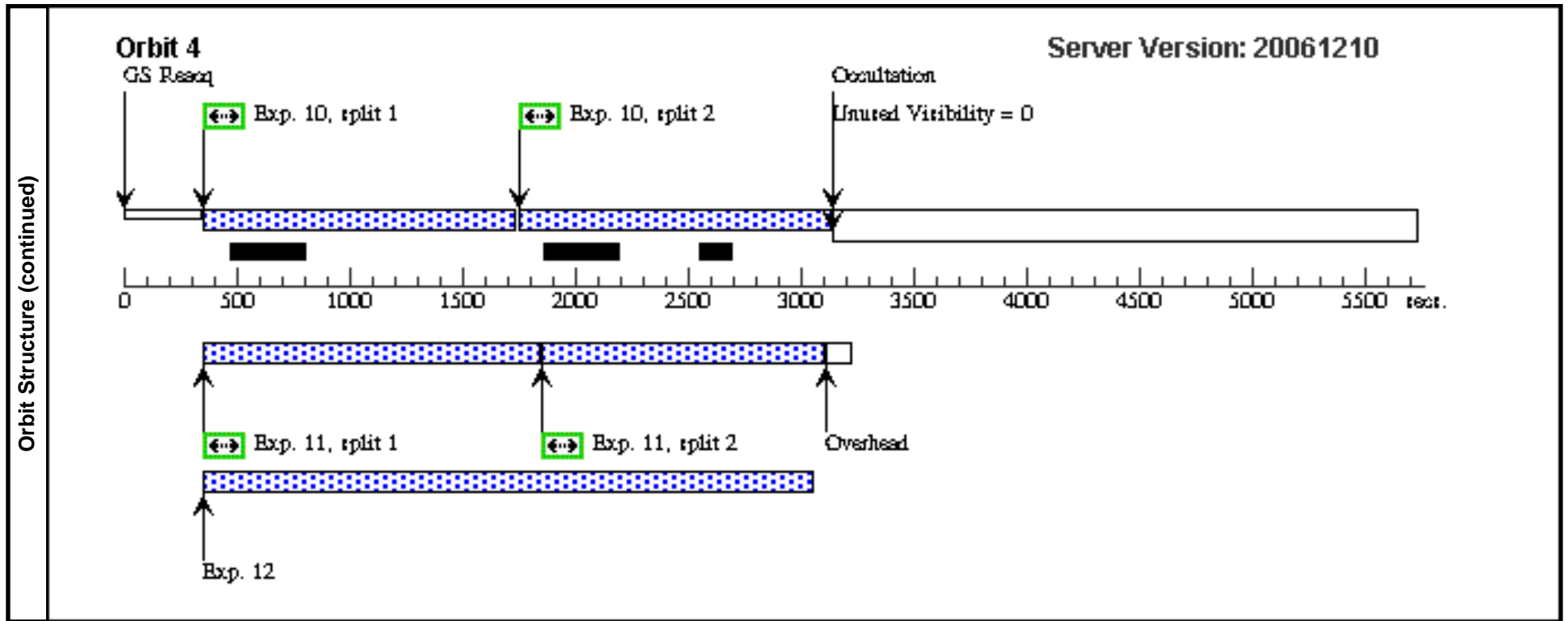
Proposal 10842 - Visit W1 - A Cepheid Distance to the Coma Cluster

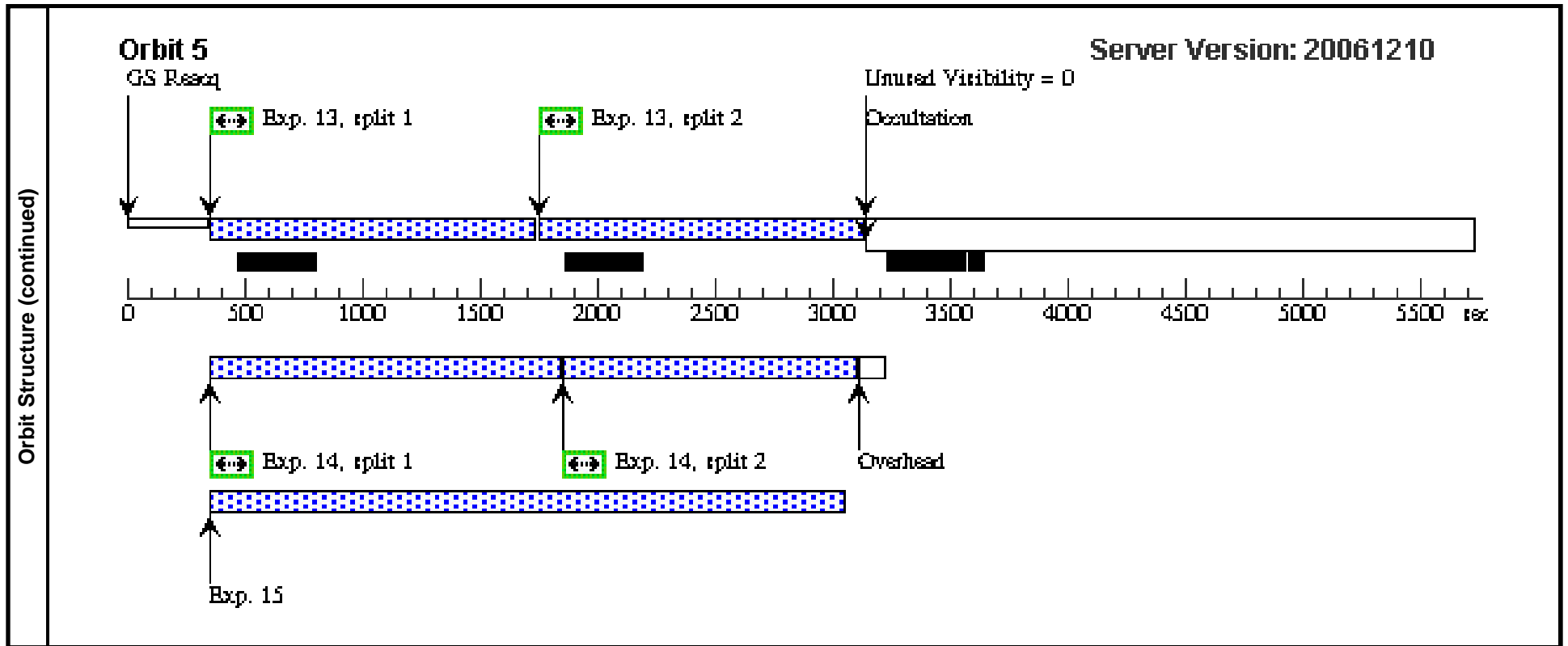
Exposures (continued)	#	Label	Target	Config,Mode,Aperture	Spectral Els.	Opt. Params.	Special Reqs.	Groups	Exp. Time/[Actual Dur.]	Orbit
	9		ANY	NIC3, MULTIACCUM, NIC3-FIX	F160W	SAMP-SEQ=SPARS 128; OFFSET=SAM; NSAMP=23		Prime + Parallel Group 7-9	[==>]	[3]
	10	(1) NGC4911-WFC	ACS/WFC, ACCUM, WFC2-FIX	F606W	CR-SPLIT=2; GAIN=2	SAME POS AS 1		Prime + Parallel Group 10-12	2400.0 Secs [==>1261.0 Secs (Split 1)] [==>1261.0 Secs (Split 2)]	[4]
	11	ANY	WFPC2, IMAGE, WFALL	F814W	CLOCKS=YES; CR-SPLIT=DEF			Prime + Parallel Group 10-12	2400.0 Secs [==>1300.0 Secs (Split 1)] [==>1200.0 Secs (Split 2)]	[4]
	12	ANY	NIC3, MULTIACCUM, NIC3-FIX	F110W	SAMP-SEQ=SPARS 128; OFFSET=SAM; NSAMP=23			Prime + Parallel Group 10-12	[==>]	[4]
	13	(1) NGC4911-WFC	ACS/WFC, ACCUM, WFC2-FIX	F606W	CR-SPLIT=2; GAIN=2	SAME POS AS 1		Prime + Parallel Group 13-15	2400.0 Secs [==>1261.0 Secs (Split 1)] [==>1261.0 Secs (Split 2)]	[5]
	14	ANY	WFPC2, IMAGE, WFALL	F814W	CLOCKS=YES; CR-SPLIT=DEF			Prime + Parallel Group 13-15	2400.0 Secs [==>1300.0 Secs (Split 1)] [==>1200.0 Secs (Split 2)]	[5]
	15	ANY	NIC3, MULTIACCUM, NIC3-FIX	F160W	SAMP-SEQ=SPARS 128; OFFSET=SAM; NSAMP=23			Prime + Parallel Group 13-15	[==>]	[5]











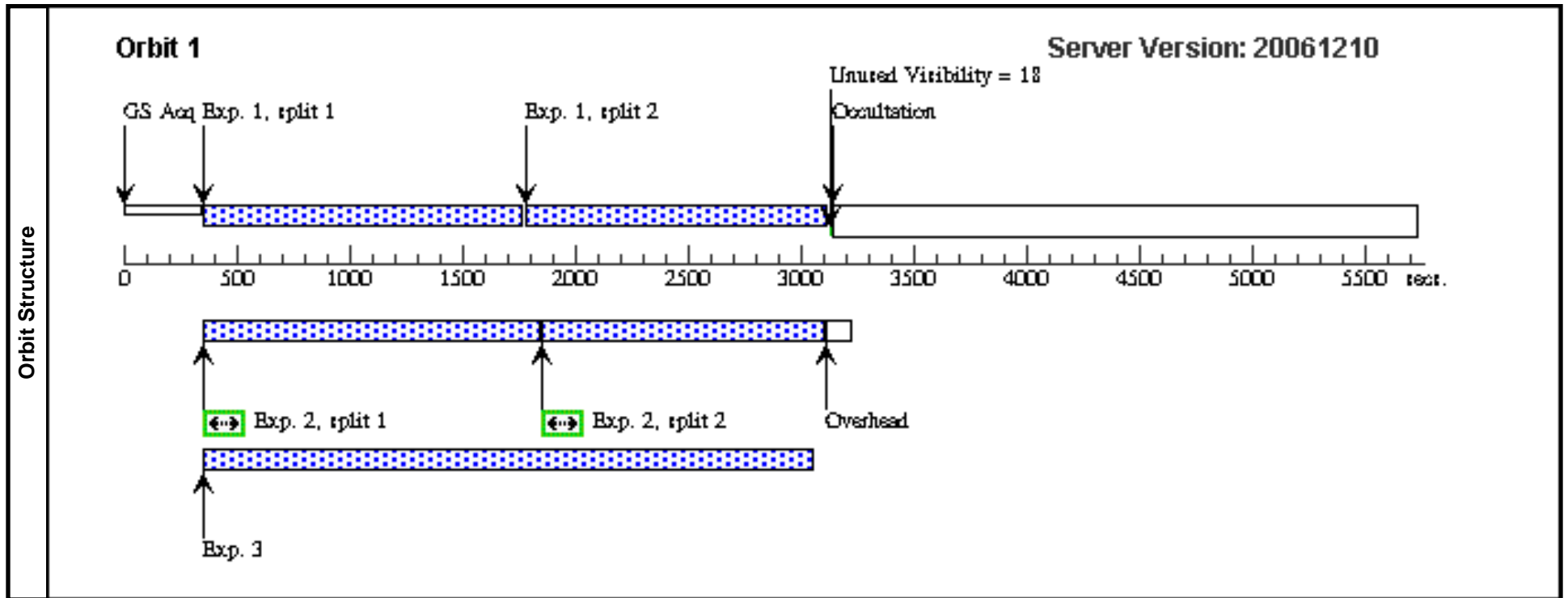
Proposal 10842 - Visit H1 - A Cepheid Distance to the Coma Cluster

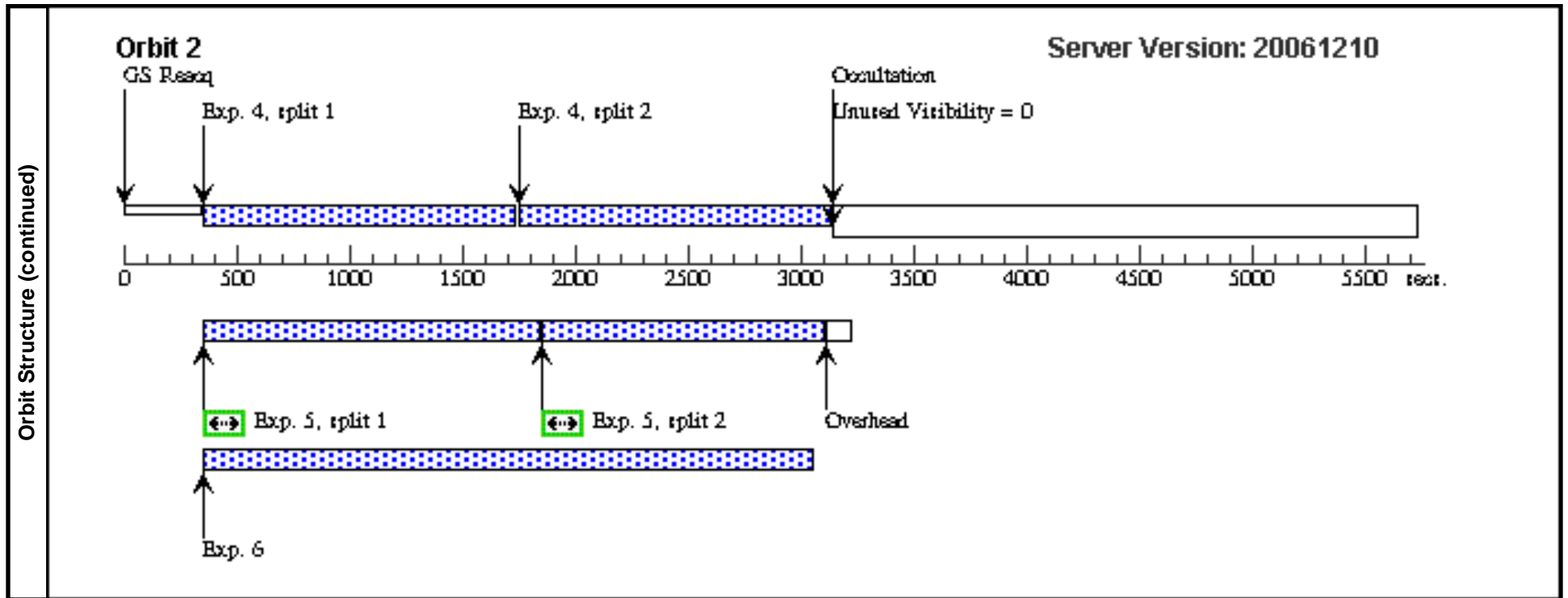
Fri Jan 19 02:14:55 GMT 2007

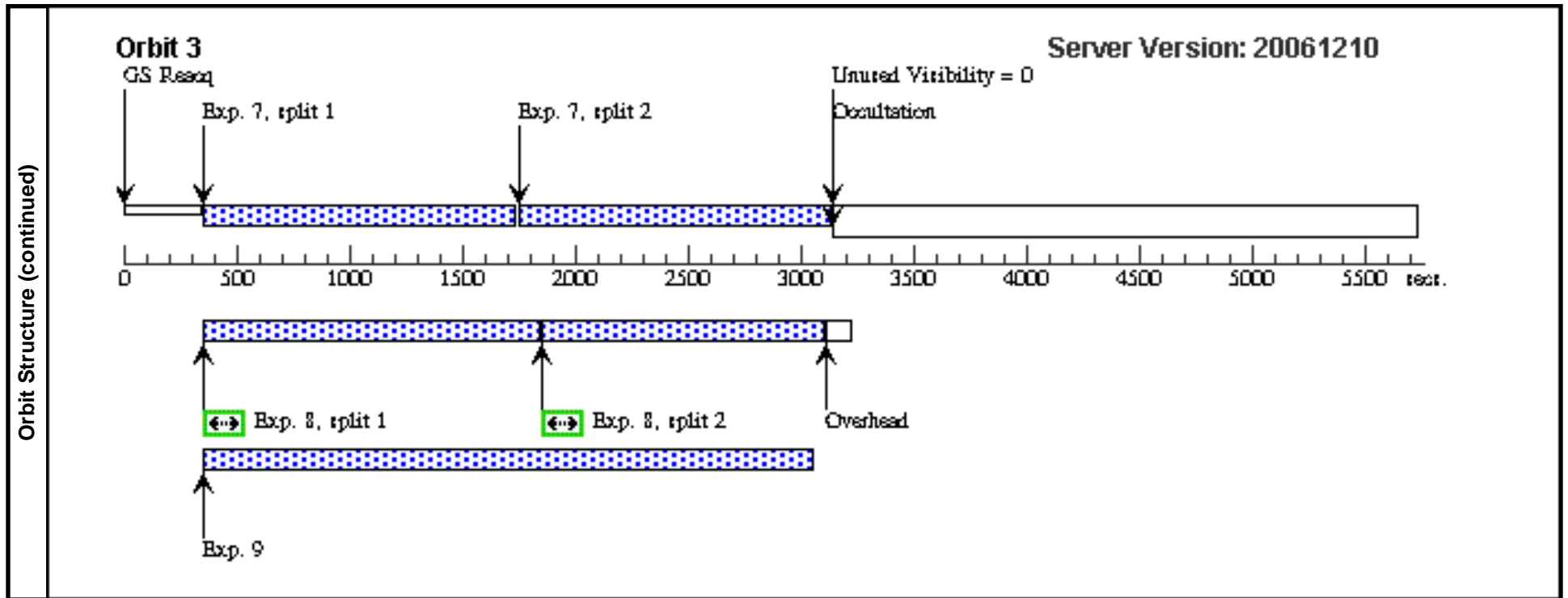
Visit	Proposal 10842, Visit H1, completed Diagnostic Status: No Diagnostics Scientific Instruments: ACS/HRC, WFPC2, NIC3 Special Requirements: PCS MODE FINE; ORIENT 142.0D TO 142.0 D; BETWEEN 20-MAY-2006:19:01:08 AND 03-JUN-2006:19:01:08									
	Fixed Targets	#	Name	Target Coordinates	Targ. Coord. Corrections	Fluxes	Miscellaneous			
	(2)	NGC4911-HRC	RA: 13 00 56.3800 (195.2349167d) Dec: +27 47 36.20 (27.79339d) Equinox: J2000			V=13.0	Reference Frame: ICRS			
Exposures	#	Label	Target	Config,Mode,Aperture	Spectral Els.	Opt. Params.	Special Reqs.	Groups	Exp. Time/[Actual Dur.]	Orbit
	1		(2) NGC4911-HRC	ACS/HRC, ACCUM, HRC-FIX	F606W			Prime + Parallel Group 1-3	2600.0 Secs [==>(Split 1)] [==>(Split 2)]	[1]
	2		ANY	WFPC2, IMAGE, WFALL	F606W	CLOCKS=YES; CR-SPLIT=DEF		Prime + Parallel Group 1-3	2400.0 Secs [==>1300.0 Secs (Split 1)] [==>1200.0 Secs (Split 2)]	[1]
	3		ANY	NIC3, MULTIACCUM, NIC3-FIX	F160W	SAMP-SEQ=SPARS 128; OFFSET=SAM; NSAMP=23		Prime + Parallel Group 1-3	[==>]	[1]
	4		(2) NGC4911-HRC	ACS/HRC, ACCUM, HRC-FIX	F606W		SAME POS AS 1	Prime + Parallel Group 4-6	2700.0 Secs [==>(Split 1)] [==>(Split 2)]	[2]
	5		ANY	WFPC2, IMAGE, WFALL	F606W	CLOCKS=YES; CR-SPLIT=DEF		Prime + Parallel Group 4-6	2400.0 Secs [==>1300.0 Secs (Split 1)] [==>1200.0 Secs (Split 2)]	[2]
	6		ANY	NIC3, MULTIACCUM, NIC3-FIX	F110W	SAMP-SEQ=SPARS 128; OFFSET=SAM; NSAMP=23		Prime + Parallel Group 4-6	[==>]	[2]
	7		(2) NGC4911-HRC	ACS/HRC, ACCUM, HRC-FIX	F606W		SAME POS AS 1	Prime + Parallel Group 7-9	2700.0 Secs [==>(Split 1)] [==>(Split 2)]	[3]
8		ANY	WFPC2, IMAGE, WFALL	F814W	CLOCKS=YES; CR-SPLIT=DEF		Prime + Parallel Group 7-9	2400.0 Secs [==>1300.0 Secs (Split 1)] [==>1200.0 Secs (Split 2)]	[3]	

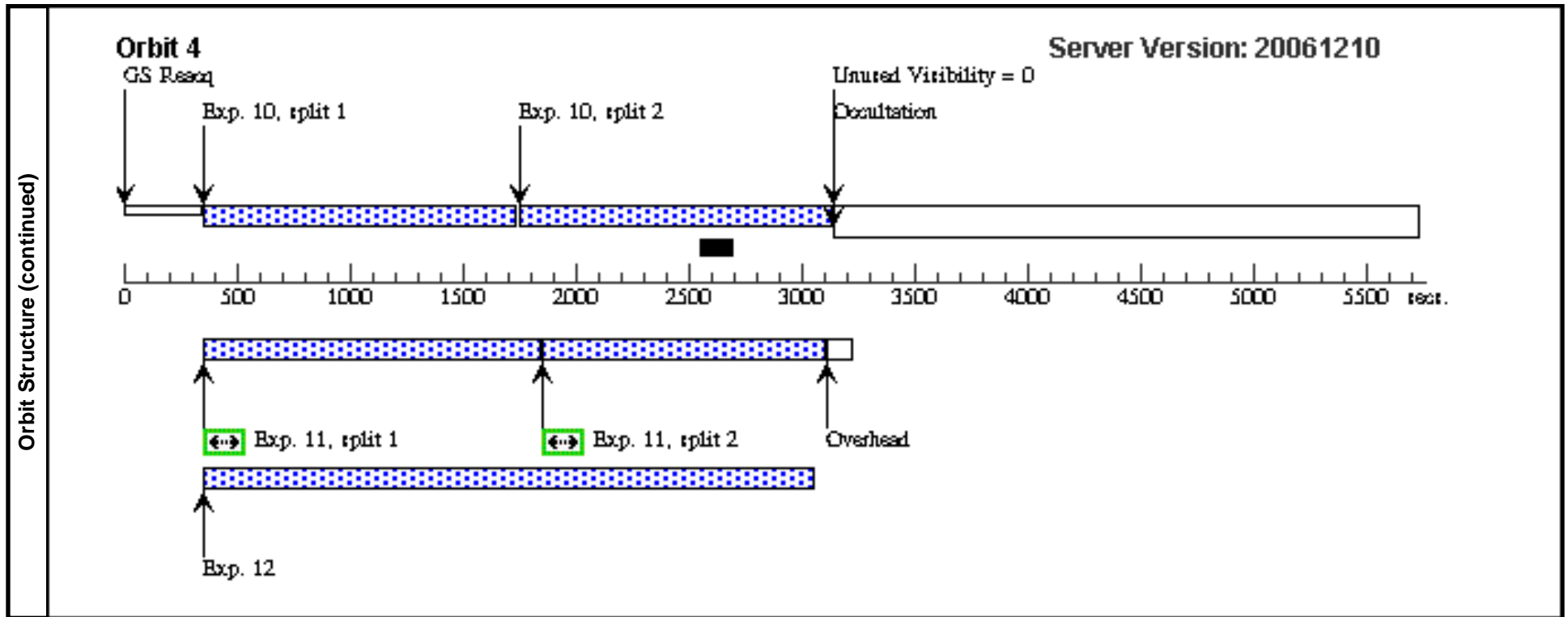
Proposal 10842 - Visit H1 - A Cepheid Distance to the Coma Cluster

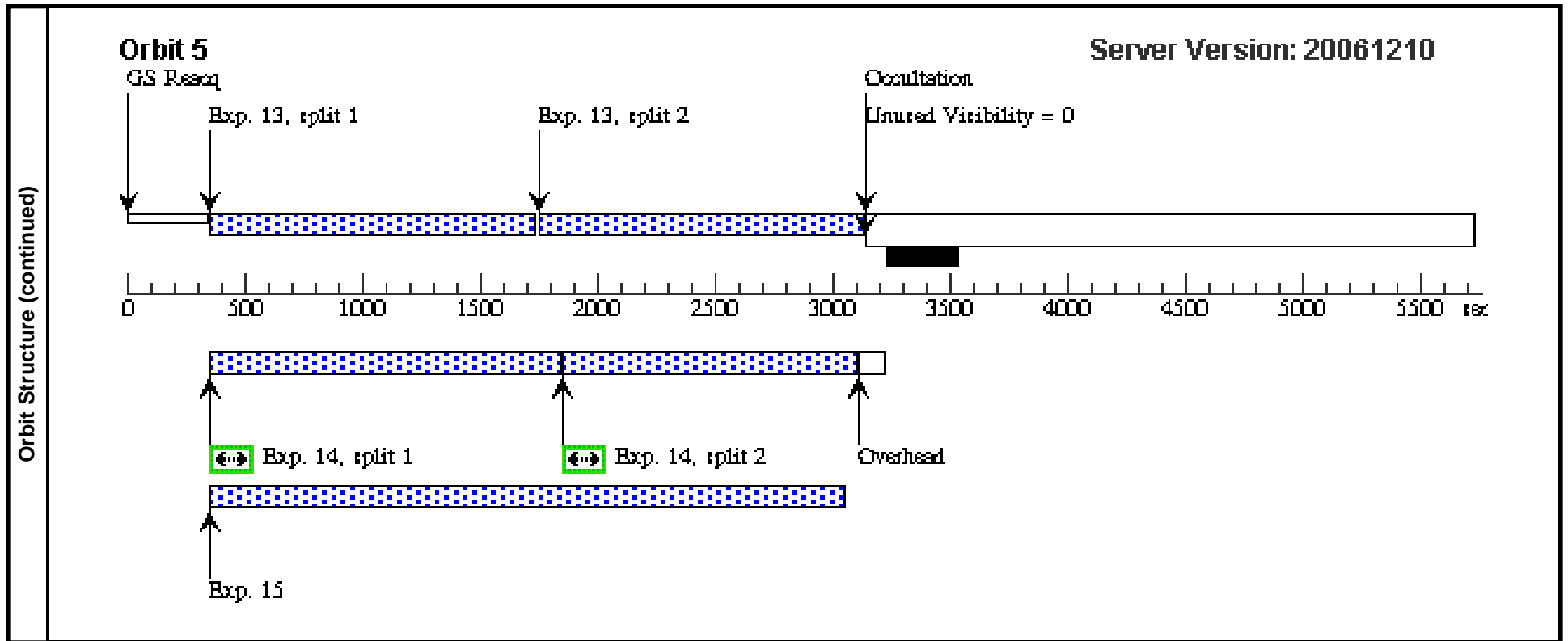
Exposures (continued)	#	Label	Target	Config,Mode,Aperture	Spectral Els.	Opt. Params.	Special Reqs.	Groups	Exp. Time/[Actual Dur.]	Orbit
	9		ANY	NIC3, MULTIACCUM, NIC3-FIX	F160W	SAMP-SEQ=SPARS 128; OFFSET=SAM; NSAMP=23		Prime + Parallel Group 7-9	[==>]	[3]
	10	(2)	NGC4911-HRC	ACS/HRC, ACCUM, HRC-FIX	F606W		SAME POS AS 1	Prime + Parallel Group 10-12	2700.0 Secs [==>(Split 1)] [==>(Split 2)]	[4]
	11		ANY	WFPC2, IMAGE, WFALL	F814W	CLOCKS=YES; CR-SPLIT=DEF		Prime + Parallel Group 10-12	2400.0 Secs [==>1300.0 Secs (Split 1)] [==>1200.0 Secs (Split 2)]	[4]
	12		ANY	NIC3, MULTIACCUM, NIC3-FIX	F110W	SAMP-SEQ=SPARS 128; OFFSET=SAM; NSAMP=23		Prime + Parallel Group 10-12	[==>]	[4]
	13	(2)	NGC4911-HRC	ACS/HRC, ACCUM, HRC-FIX	F606W		SAME POS AS 1	Prime + Parallel Group 13-15	2700.0 Secs [==>(Split 1)] [==>(Split 2)]	[5]
	14		ANY	WFPC2, IMAGE, WFALL	F814W	CLOCKS=YES; CR-SPLIT=DEF		Prime + Parallel Group 13-15	2400.0 Secs [==>1300.0 Secs (Split 1)] [==>1200.0 Secs (Split 2)]	[5]
	15		ANY	NIC3, MULTIACCUM, NIC3-FIX	F160W	SAMP-SEQ=SPARS 128; OFFSET=SAM; NSAMP=23		Prime + Parallel Group 13-15	[==>]	[5]











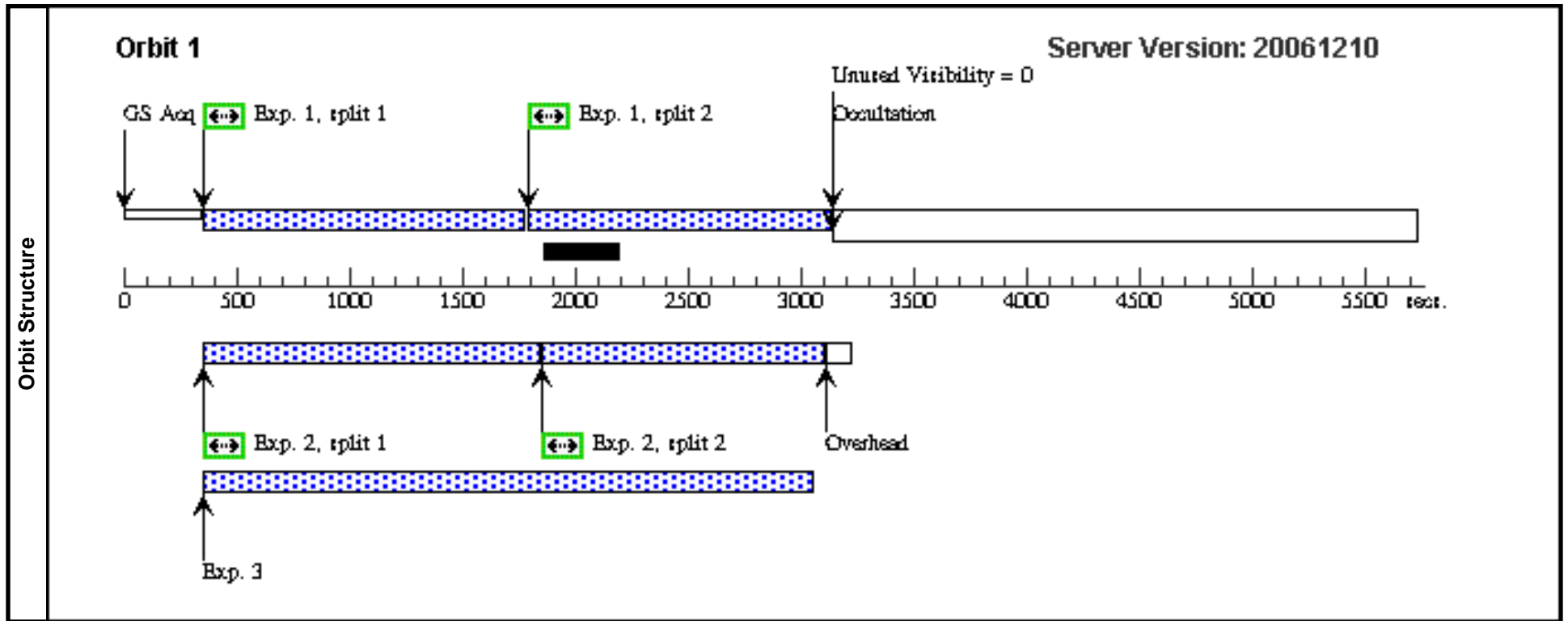
Proposal 10842 - Visit A1 - A Cepheid Distance to the Coma Cluster

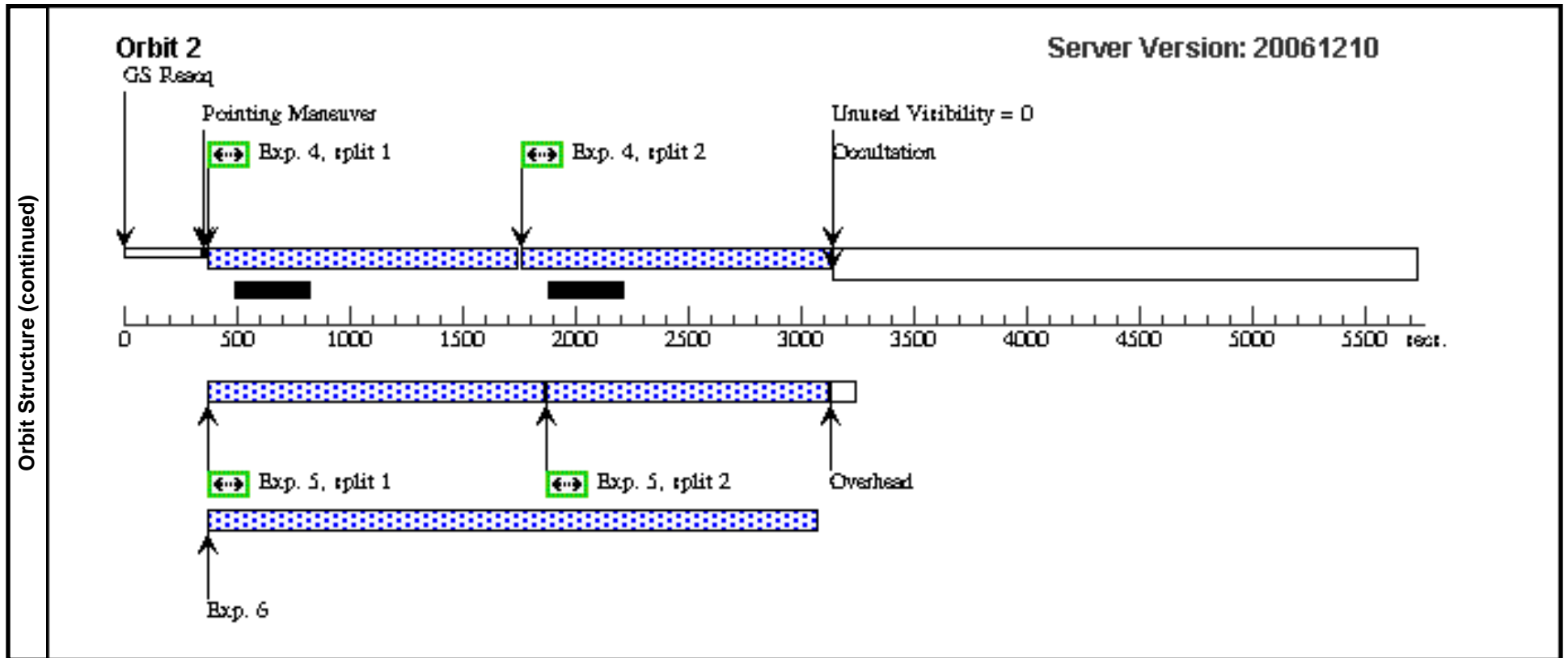
Fri Jan 19 02:14:56 GMT 2007

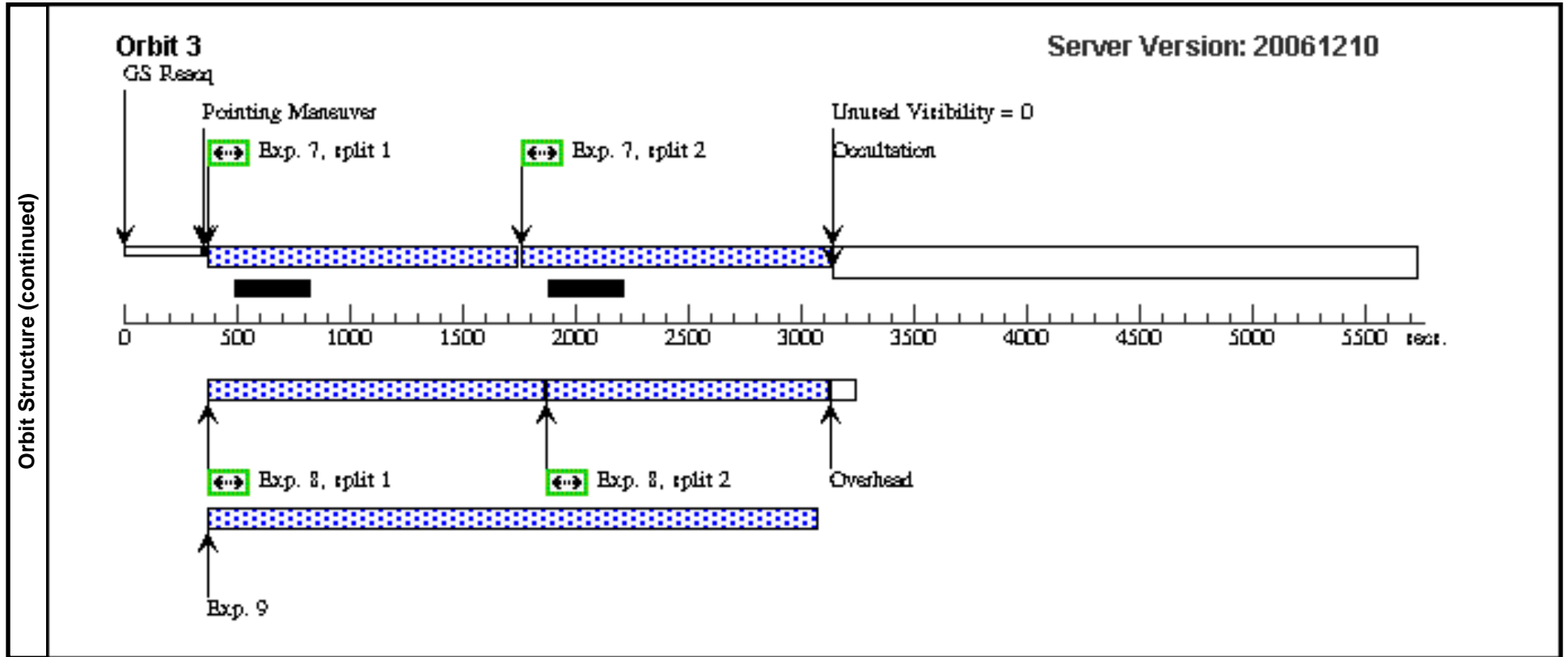
Visit	Proposal 10842, Visit A1, completed Diagnostic Status: No Diagnostics Scientific Instruments: ACS/WFC, WFPC2, NIC3 Special Requirements: PCS MODE FINE; ORIENT 296.7D TO 296.7 D; BETWEEN 14-DEC-2006:00:00:00 AND 23-DEC-2006:00:00:00									
	Fixed Targets	#	Name	Target Coordinates	Targ. Coord. Corrections	Fluxes	Miscellaneous			
	(3)	NGC4911-PA296-A	RA: 13 00 55.5500 (195.2314583d) Dec: +27 47 23.50 (27.78986d) Equinox: J2000			V=13.0	Reference Frame: ICRS			
Exposures	#	Label	Target	Config,Mode,Aperture	Spectral Els.	Opt. Params.	Special Reqs.	Groups	Exp. Time/[Actual Dur.]	Orbit
	1		(3) NGC4911-PA296-A	ACS/WFC, ACCUM, WFC1-FIX	F606W	CR-SPLIT=2; GAIN=2		Prime + Parallel Group 1-3	2400.0 Secs [==>1220.0 Secs (Split 1)] [==>1220.0 Secs (Split 2)]	[1]
	2		ANY	WFPC2, IMAGE, WFALL	F606W	CLOCKS=YES; CR-SPLIT=DEF		Prime + Parallel Group 1-3	2400.0 Secs [==>1300.0 Secs (Split 1)] [==>1200.0 Secs (Split 2)]	[1]
	3		ANY	NIC3, MULTIACCUM, NIC3-FIX	F160W	SAMP-SEQ=SPARS 128; OFFSET=SAM; NSAMP=23		Prime + Parallel Group 1-3	[==>]	[1]
	4		(3) NGC4911-PA296-A	ACS/WFC, ACCUM, WFC1-FIX	F606W	CR-SPLIT=2; GAIN=2	POS TARG 0.13,-0.065	Prime + Parallel Group 4-6	2400.0 Secs [==>1251.0 Secs (Split 1)] [==>1251.0 Secs (Split 2)]	[2]
	5		ANY	WFPC2, IMAGE, WFALL	F606W	CLOCKS=YES; CR-SPLIT=DEF		Prime + Parallel Group 4-6	2400.0 Secs [==>1300.0 Secs (Split 1)] [==>1200.0 Secs (Split 2)]	[2]
	6		ANY	NIC3, MULTIACCUM, NIC3-FIX	F110W	SAMP-SEQ=SPARS 128; OFFSET=SAM; NSAMP=23		Prime + Parallel Group 4-6	[==>]	[2]
	7		(3) NGC4911-PA296-A	ACS/WFC, ACCUM, WFC1-FIX	F606W	CR-SPLIT=2; GAIN=2	POS TARG -0.065,-0.13	Prime + Parallel Group 7-9	2400.0 Secs [==>1251.0 Secs (Split 1)] [==>1251.0 Secs (Split 2)]	[3]
8		ANY	WFPC2, IMAGE, WFALL	F814W	CLOCKS=YES; CR-SPLIT=DEF		Prime + Parallel Group 7-9	2400.0 Secs [==>1300.0 Secs (Split 1)] [==>1200.0 Secs (Split 2)]	[3]	

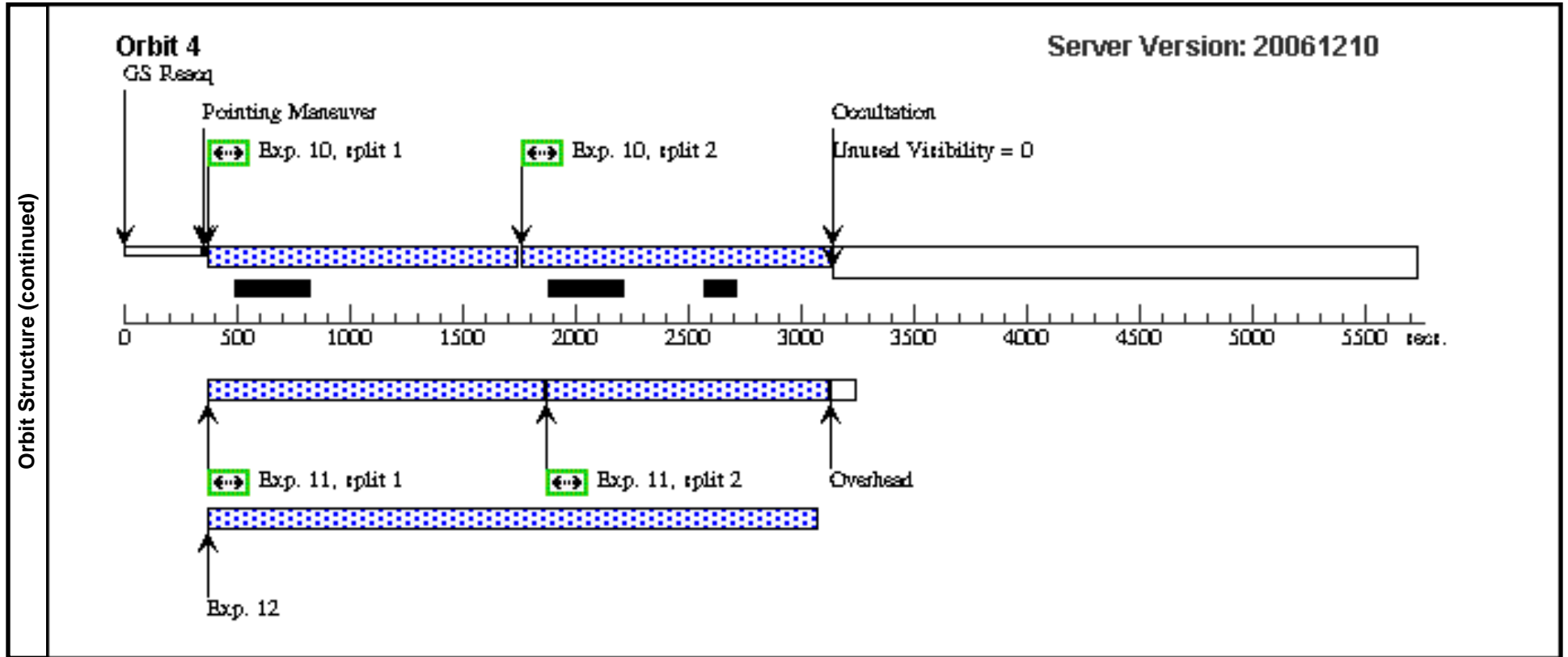
Proposal 10842 - Visit A1 - A Cepheid Distance to the Coma Cluster

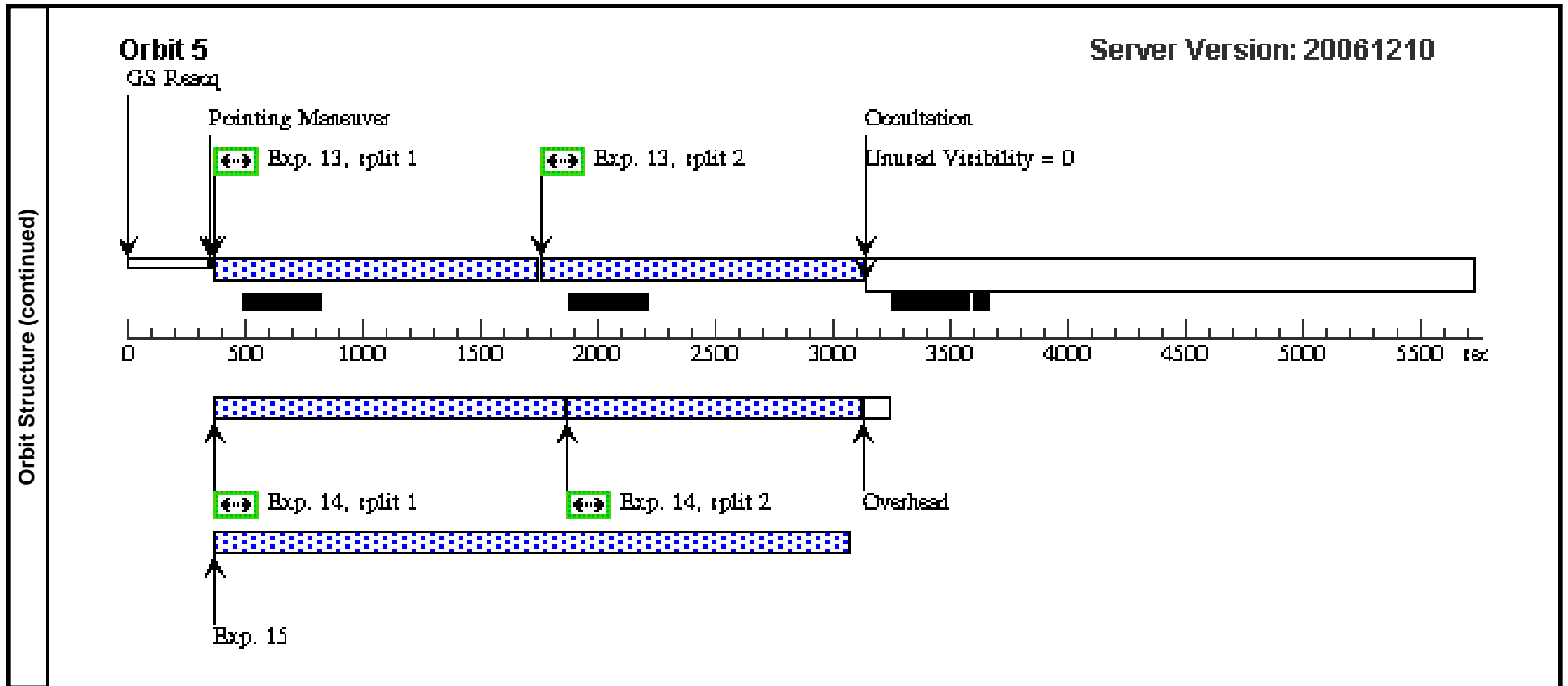
Exposures (continued)	#	Label	Target	Config,Mode,Aperture	Spectral Els.	Opt. Params.	Special Reqs.	Groups	Exp. Time/[Actual Dur.]	Orbit
	9		ANY	NIC3, MULTIACCUM, NIC3-FIX	F160W	SAMP-SEQ=SPARS 128; OFFSET=SAM; NSAMP=23		Prime + Parallel Group 7-9	[==>]	[3]
	10	(3) NGC4911-PA29 6-A	ACS/WFC, ACCUM, WFC1-FIX	F606W	CR-SPLIT=2; GAIN=2	POS TARG -0.13,0. 065		Prime + Parallel Group 10-12	2400.0 Secs [==>1251.0 Secs (Split 1)] [==>1251.0 Secs (Split 2)]	[4]
	11		ANY	WFPC2, IMAGE, WFALL	F450W	CLOCKS=YES; CR-SPLIT=DEF		Prime + Parallel Group 10-12	2400.0 Secs [==>1300.0 Secs (Split 1)] [==>1200.0 Secs (Split 2)]	[4]
	12		ANY	NIC3, MULTIACCUM, NIC3-FIX	F110W	SAMP-SEQ=SPARS 128; OFFSET=SAM; NSAMP=23		Prime + Parallel Group 10-12	[==>]	[4]
	13	(3) NGC4911-PA29 6-A	ACS/WFC, ACCUM, WFC1-FIX	F606W	CR-SPLIT=2; GAIN=2	POS TARG 0.065,0. 13		Prime + Parallel Group 13-15	2400.0 Secs [==>1251.0 Secs (Split 1)] [==>1251.0 Secs (Split 2)]	[5]
	14		ANY	WFPC2, IMAGE, WFALL	F450W	CLOCKS=YES; CR-SPLIT=DEF		Prime + Parallel Group 13-15	2400.0 Secs [==>1300.0 Secs (Split 1)] [==>1200.0 Secs (Split 2)]	[5]
	15		ANY	NIC3, MULTIACCUM, NIC3-FIX	F160W	SAMP-SEQ=SPARS 128; OFFSET=SAM; NSAMP=23		Prime + Parallel Group 13-15	[==>]	[5]











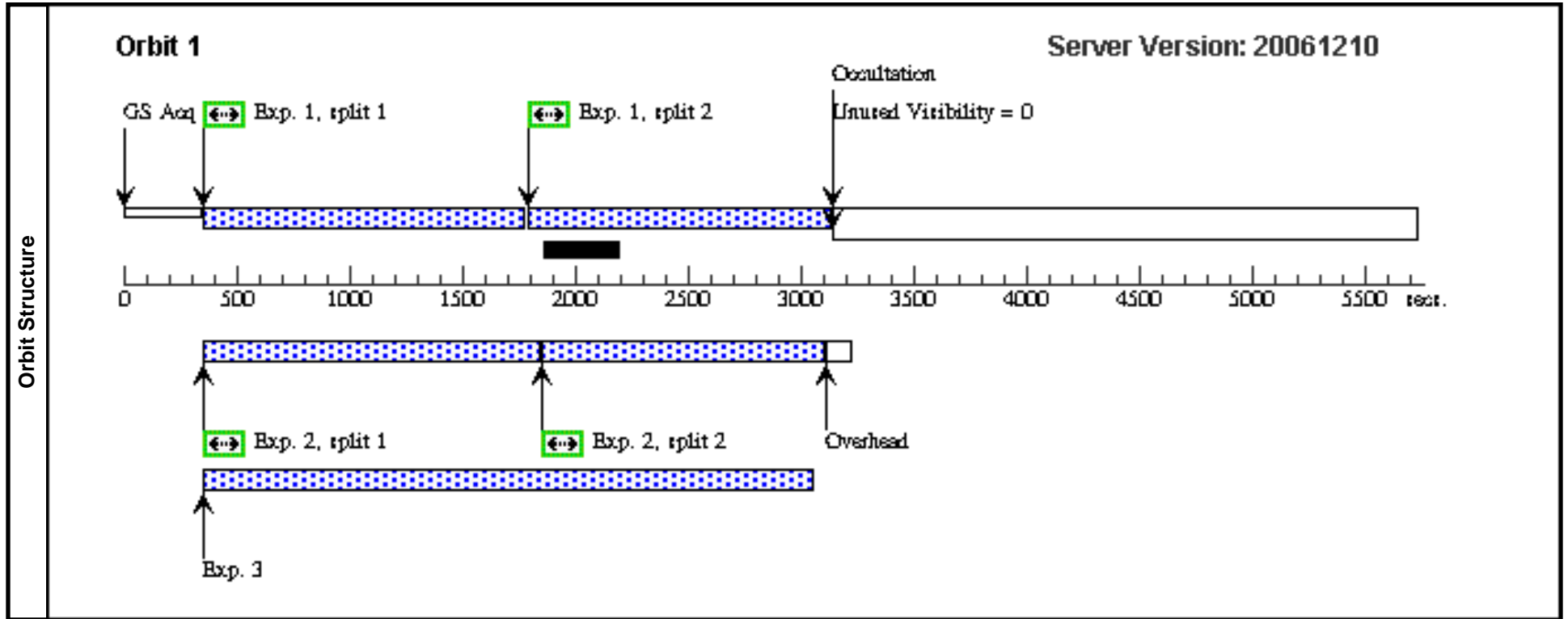
Proposal 10842 - Visit A2 - A Cepheid Distance to the Coma Cluster

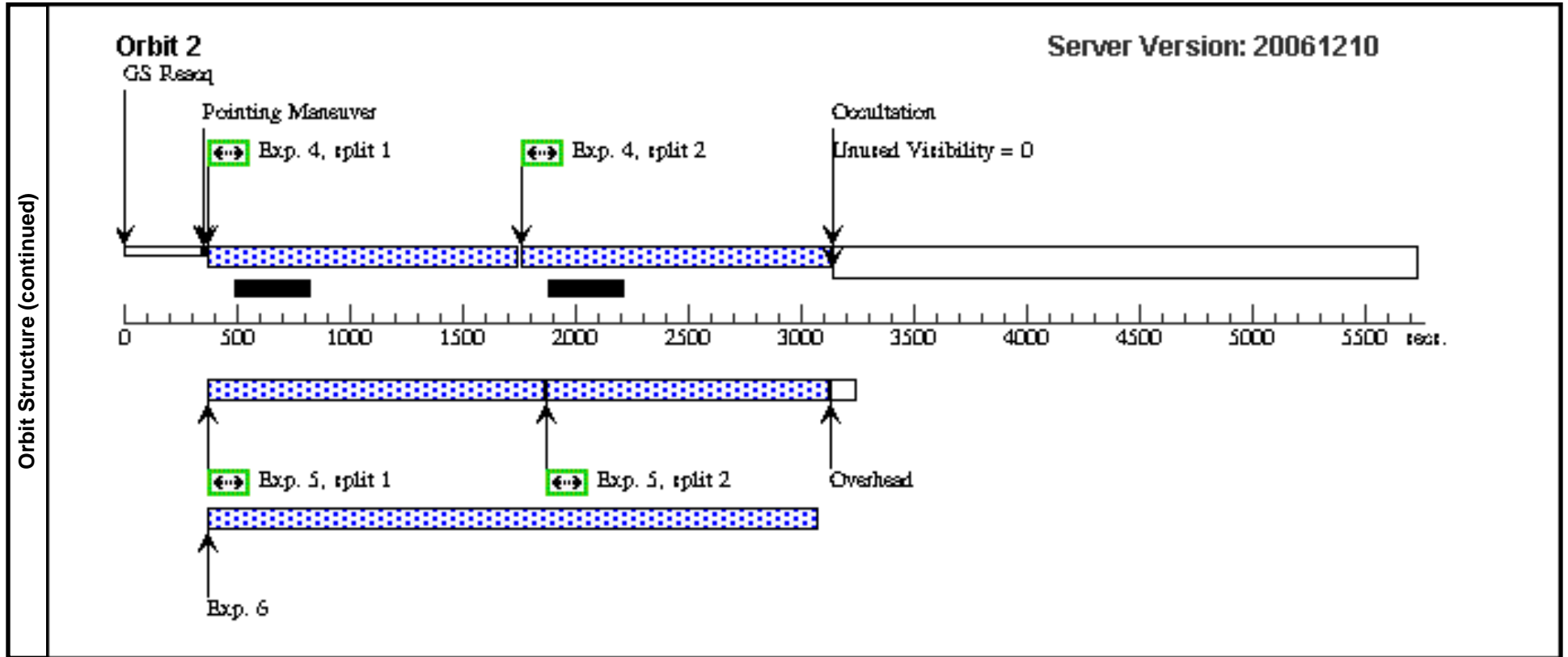
Fri Jan 19 02:14:58 GMT 2007

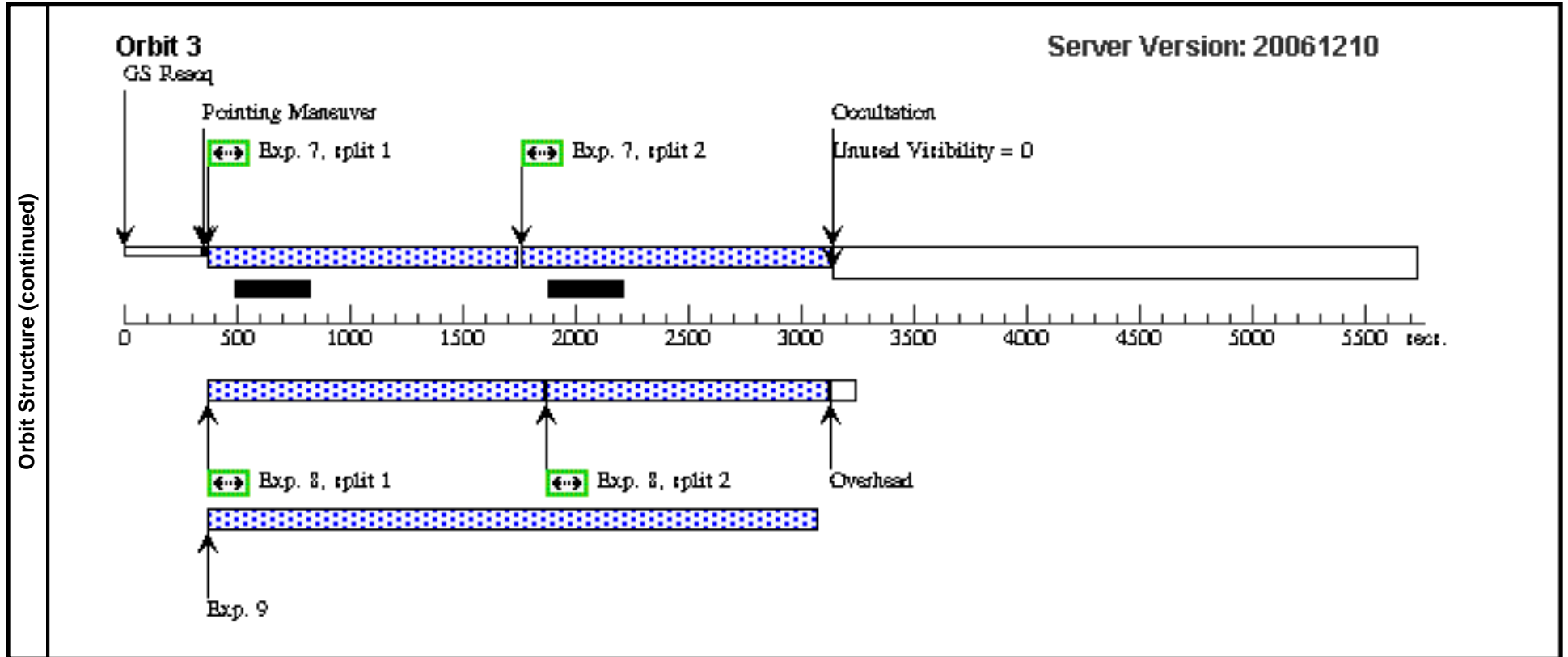
Visit		Proposal 10842, Visit A2, failed Diagnostic Status: No Diagnostics Scientific Instruments: ACS/WFC, WFPC2, NIC3 Special Requirements: PCS MODE FINE; SAME ORIENT AS A1; AFTER A1 BY 6.2 D TO 7 D									
Fixed Targets	#	Name	Target Coordinates	Targ. Coord. Corrections	Fluxes	Miscellaneous					
		(3)	NGC4911-PA296-A	RA: 13 00 55.5500 (195.2314583d) Dec: +27 47 23.50 (27.78986d) Equinox: J2000		V=13.0	Reference Frame: ICRS				
Exposures	#	Label	Target	Config,Mode,Aperture	Spectral Els.	Opt. Params.	Special Reqs.	Groups	Exp. Time/[Actual Dur.]	Orbit	
	1		(3) NGC4911-PA296-A	ACS/WFC, ACCUM, WFC1-FIX	F606W	CR-SPLIT=2; GAIN=2	POS TARG -0.025,0 .025	Prime + Parallel Group 1-3	2400.0 Secs [==>1220.0 Secs (Split 1)] [==>1220.0 Secs (Split 2)]	[1]	
	2		ANY	WFPC2, IMAGE, WFALL	F606W	CLOCKS=YES; CR-SPLIT=DEF		Prime + Parallel Group 1-3	2500.0 Secs [==>1300.0 Secs (Split 1)] [==>1200.0 Secs (Split 2)]	[1]	
	3		ANY	NIC3, MULTIACCUM, NIC3-FIX	F160W	SAMP-SEQ=SPARS 128; OFFSET=SAM; NSAMP=23		Prime + Parallel Group 1-3	[==>]	[1]	
	4		(3) NGC4911-PA296-A	ACS/WFC, ACCUM, WFC1-FIX	F606W	CR-SPLIT=2; GAIN=2	POS TARG 0.105,-0 .04	Prime + Parallel Group 4-6	2400.0 Secs [==>1251.0 Secs (Split 1)] [==>1251.0 Secs (Split 2)]	[2]	
	5		ANY	WFPC2, IMAGE, WFALL	F606W	CLOCKS=YES; CR-SPLIT=DEF		Prime + Parallel Group 4-6	2500.0 Secs [==>1300.0 Secs (Split 1)] [==>1200.0 Secs (Split 2)]	[2]	
	6		ANY	NIC3, MULTIACCUM, NIC3-FIX	F110W	SAMP-SEQ=SPARS 128; OFFSET=SAM; NSAMP=23		Prime + Parallel Group 4-6	[==>]	[2]	
	7		(3) NGC4911-PA296-A	ACS/WFC, ACCUM, WFC1-FIX	F606W	CR-SPLIT=2; GAIN=2	POS TARG -0.09,-0 105	Prime + Parallel Group 7-9	2400.0 Secs [==>1251.0 Secs (Split 1)] [==>1251.0 Secs (Split 2)]	[3]	
8		ANY	WFPC2, IMAGE, WFALL	F814W	CLOCKS=YES; CR-SPLIT=DEF		Prime + Parallel Group 7-9	2500.0 Secs [==>1300.0 Secs (Split 1)] [==>1200.0 Secs (Split 2)]	[3]		

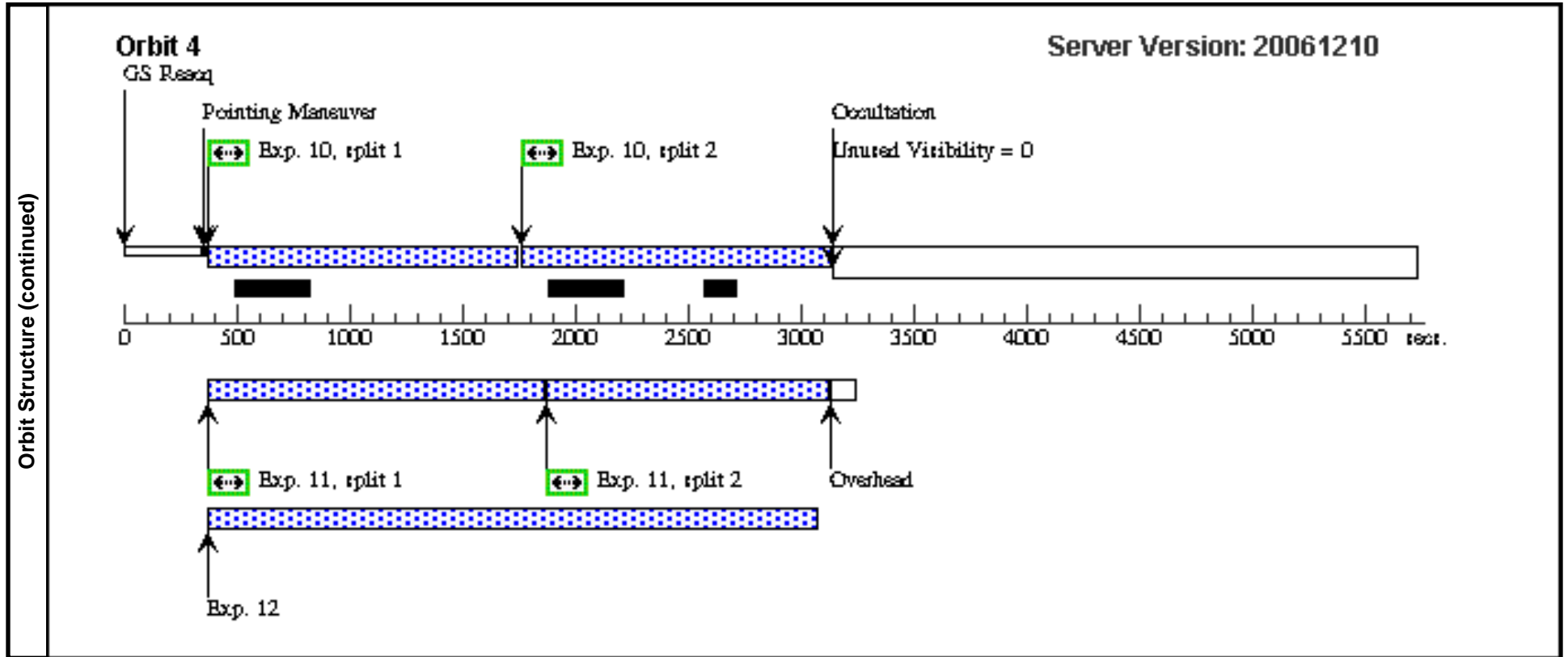
Proposal 10842 - Visit A2 - A Cepheid Distance to the Coma Cluster

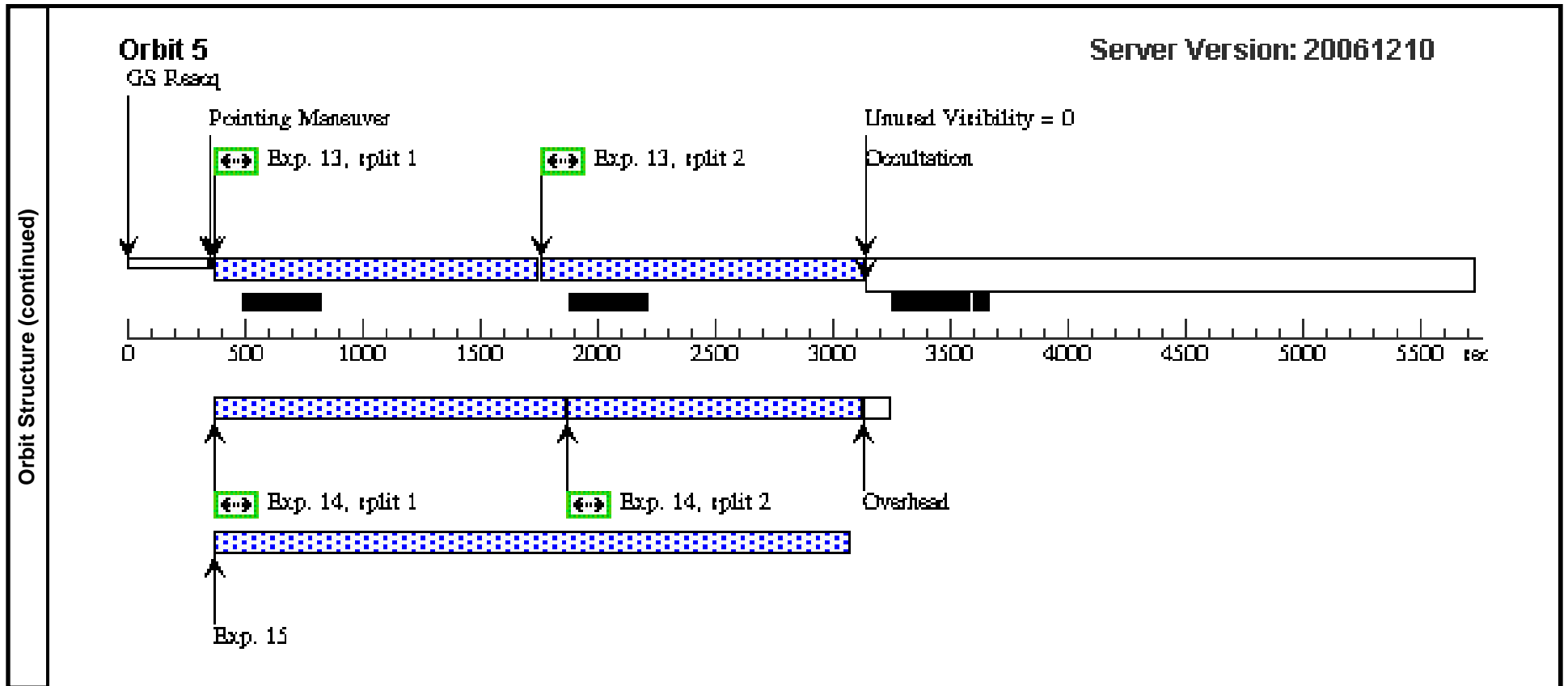
Exposures (continued)	#	Label	Target	Config,Mode,Aperture	Spectral Els.	Opt. Params.	Special Reqs.	Groups	Exp. Time/[Actual Dur.]	Orbit
	9		ANY	NIC3, MULTIACCUM, NIC3-FIX	F160W	SAMP-SEQ=SPARS 128; OFFSET=SAM; NSAMP=23		Prime + Parallel Group 7-9	[==>]	[3]
	10	(3) NGC4911-PA29 6-A		ACS/WFC, ACCUM, WFC1-FIX	F606W	CR-SPLIT=2; GAIN=2	POS TARG -0.155,0 .09	Prime + Parallel Group 10-12	2400.0 Secs [==>1251.0 Secs (Split 1)] [==>1251.0 Secs (Split 2)]	[4]
	11		ANY	WFPC2, IMAGE, WFALL	F450W	CLOCKS=YES; CR-SPLIT=DEF		Prime + Parallel Group 10-12	2500.0 Secs [==>1300.0 Secs (Split 1)] [==>1200.0 Secs (Split 2)]	[4]
	12		ANY	NIC3, MULTIACCUM, NIC3-FIX	F110W	SAMP-SEQ=SPARS 128; OFFSET=SAM; NSAMP=23		Prime + Parallel Group 10-12	[==>]	[4]
	13	(3) NGC4911-PA29 6-A		ACS/WFC, ACCUM, WFC1-FIX	F606W	CR-SPLIT=2; GAIN=2	POS TARG 0.04,0.1 55	Prime + Parallel Group 13-15	2400.0 Secs [==>1251.0 Secs (Split 1)] [==>1251.0 Secs (Split 2)]	[5]
	14		ANY	WFPC2, IMAGE, WFALL	F450W	CLOCKS=YES; CR-SPLIT=DEF		Prime + Parallel Group 13-15	2500.0 Secs [==>1300.0 Secs (Split 1)] [==>1200.0 Secs (Split 2)]	[5]
	15		ANY	NIC3, MULTIACCUM, NIC3-FIX	F160W	SAMP-SEQ=SPARS 128; OFFSET=SAM; NSAMP=23		Prime + Parallel Group 13-15	[==>]	[5]











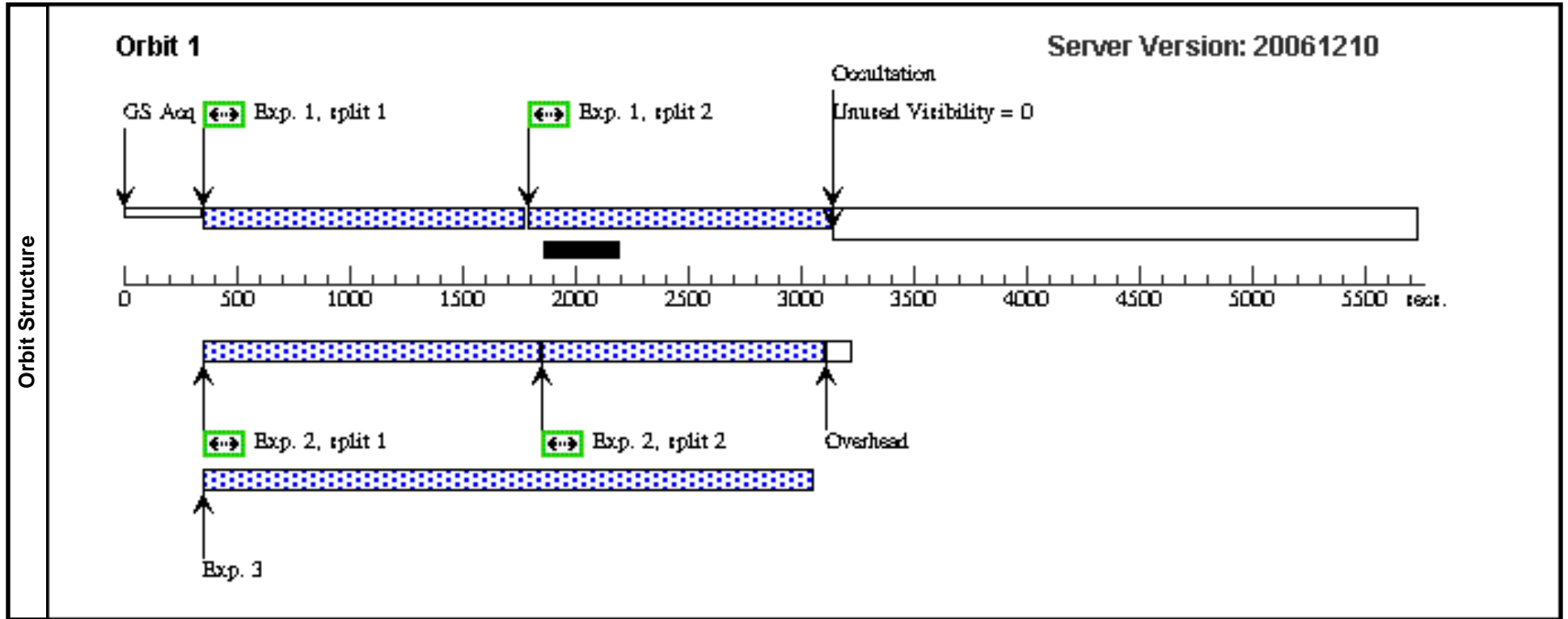
Proposal 10842 - Visit AU - A Cepheid Distance to the Coma Cluster

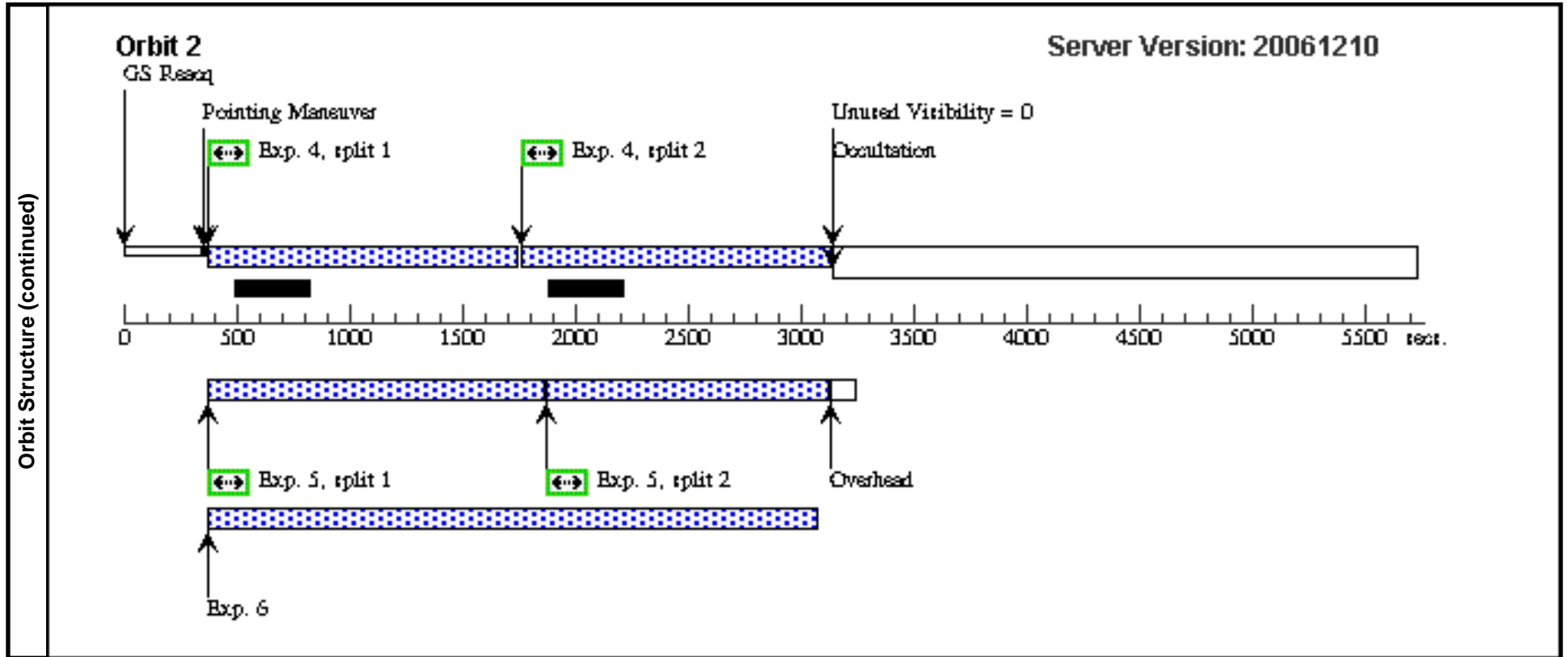
Fri Jan 19 02:14:59 GMT 2007

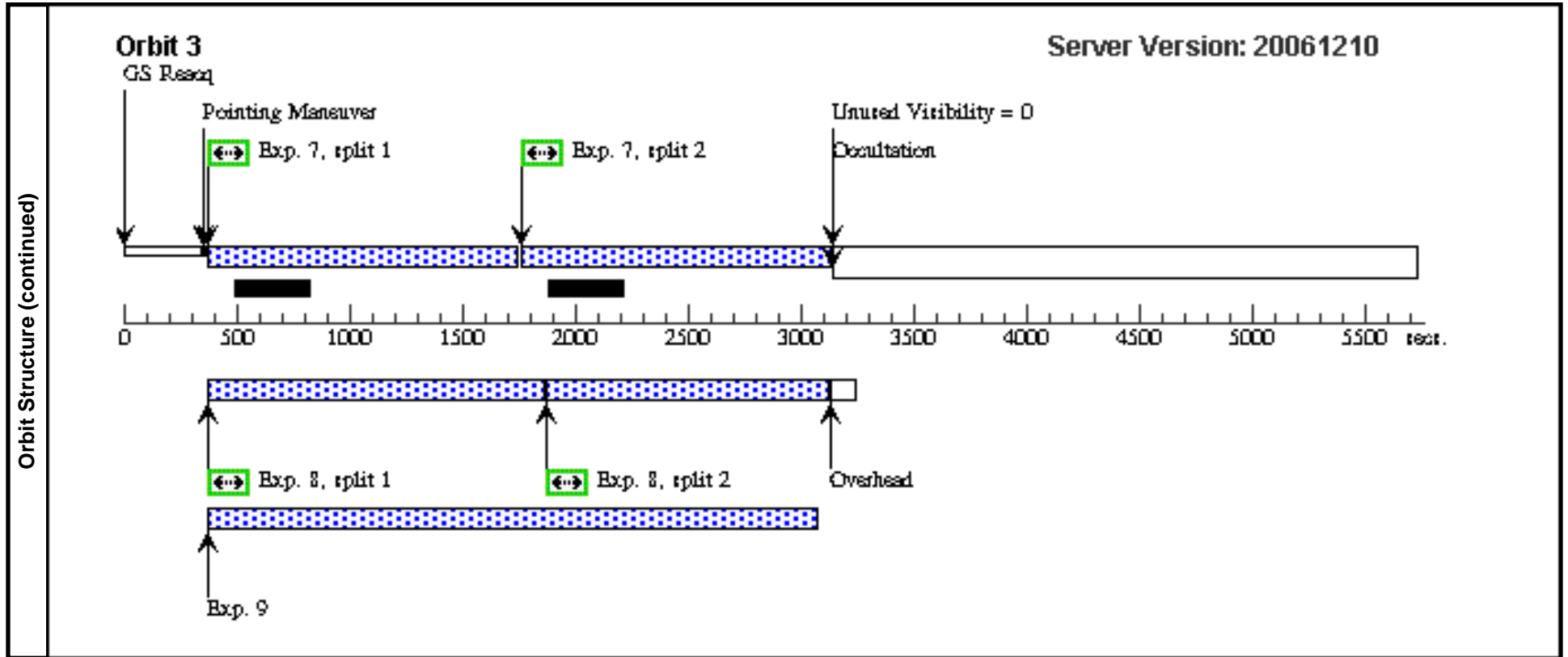
Visit	Proposal 10842, Visit AU, completed Diagnostic Status: No Diagnostics Scientific Instruments: ACS/WFC, WFPC2, NIC3 Special Requirements: PCS MODE FINE; SAME ORIENT AS A1; BETWEEN 16-DEC-2006:00:00:00 AND 23-DEC-2006:00:00:00									
	Fixed Targets	#	Name	Target Coordinates	Targ. Coord. Corrections	Fluxes	Miscellaneous			
	(3)	NGC4911-PA296-A	RA: 13 00 55.5500 (195.2314583d) Dec: +27 47 23.50 (27.78986d) Equinox: J2000			V=13.0	Reference Frame: ICRS			
Exposures	#	Label	Target	Config,Mode,Aperture	Spectral Els.	Opt. Params.	Special Reqs.	Groups	Exp. Time/[Actual Dur.]	Orbit
	1		(3) NGC4911-PA296-A	ACS/WFC, ACCUM, WFC1-FIX	F814W	CR-SPLIT=2; GAIN=2	POS TARG 0.025,0.05	Prime + Parallel Group 1-3	2400.0 Secs [==>1220.0 Secs (Split 1)] [==>1220.0 Secs (Split 2)]	[1]
	2		ANY	WFPC2, IMAGE, WFALL	F606W	CLOCKS=YES; CR-SPLIT=DEF		Prime + Parallel Group 1-3	2400.0 Secs [==>1300.0 Secs (Split 1)] [==>1200.0 Secs (Split 2)]	[1]
	3		ANY	NIC3, MULTIACCUM, NIC3-FIX	F160W	SAMP-SEQ=SPARS 128; OFFSET=SAM; NSAMP=23		Prime + Parallel Group 1-3	[==>]	[1]
	4		(3) NGC4911-PA296-A	ACS/WFC, ACCUM, WFC1-FIX	F814W	CR-SPLIT=2; GAIN=2	POS TARG -0.04,0.18	Prime + Parallel Group 4-6	2400.0 Secs [==>1251.0 Secs (Split 1)] [==>1251.0 Secs (Split 2)]	[2]
	5		ANY	WFPC2, IMAGE, WFALL	F606W	CLOCKS=YES; CR-SPLIT=DEF		Prime + Parallel Group 4-6	2400.0 Secs [==>1300.0 Secs (Split 1)] [==>1200.0 Secs (Split 2)]	[2]
	6		ANY	NIC3, MULTIACCUM, NIC3-FIX	F110W	SAMP-SEQ=SPARS 128; OFFSET=SAM; NSAMP=23		Prime + Parallel Group 4-6	[==>]	[2]
	7		(3) NGC4911-PA296-A	ACS/WFC, ACCUM, WFC1-FIX	F814W	CR-SPLIT=2; GAIN=2	POS TARG -0.105,-0.015	Prime + Parallel Group 7-9	2400.0 Secs [==>1251.0 Secs (Split 1)] [==>1251.0 Secs (Split 2)]	[3]
8		ANY	WFPC2, IMAGE, WFALL	F814W	CLOCKS=YES; CR-SPLIT=DEF		Prime + Parallel Group 7-9	2400.0 Secs [==>1300.0 Secs (Split 1)] [==>1200.0 Secs (Split 2)]	[3]	

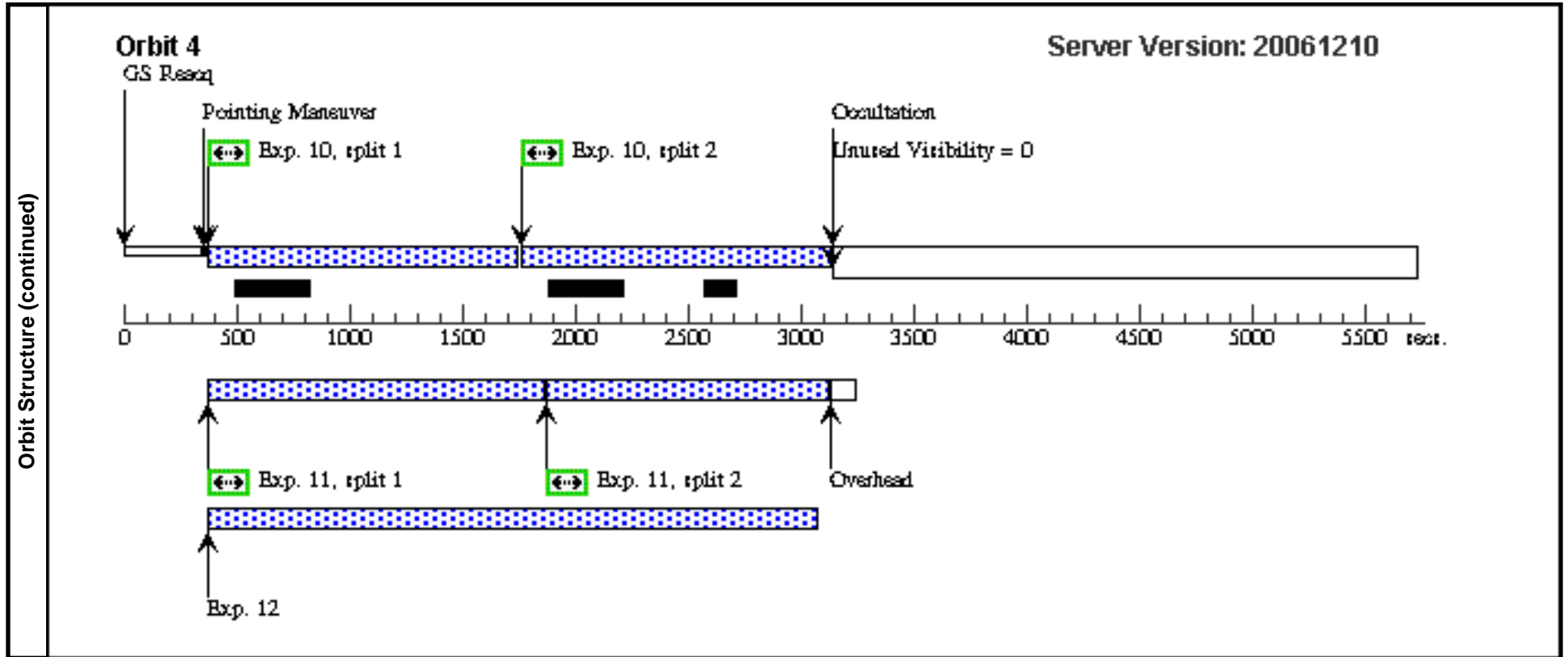
Proposal 10842 - Visit AU - A Cepheid Distance to the Coma Cluster

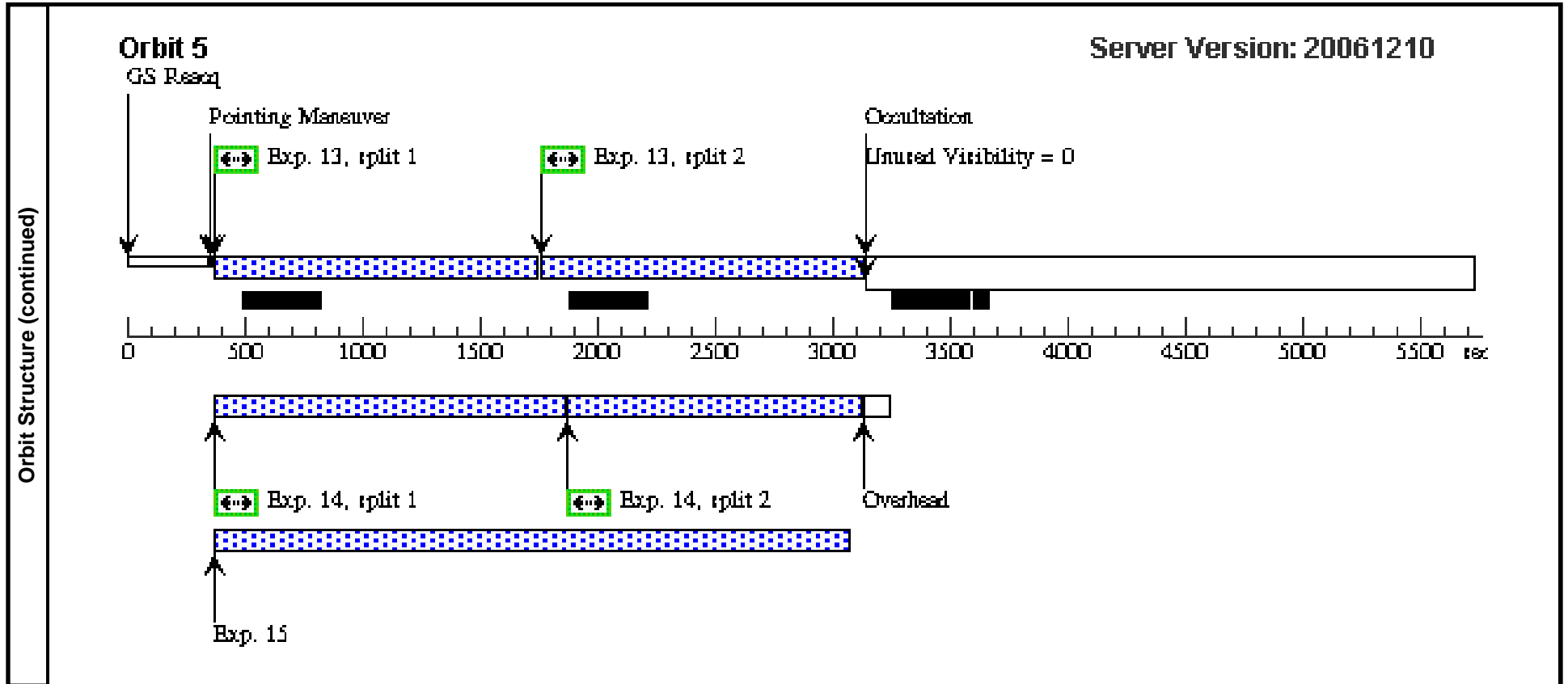
Exposures (continued)	#	Label	Target	Config,Mode,Aperture	Spectral Els.	Opt. Params.	Special Reqs.	Groups	Exp. Time/[Actual Dur.]	Orbit
	9		ANY	NIC3, MULTIACCUM, NIC3-FIX	F160W	SAMP-SEQ=SPARS 128; OFFSET=SAM; NSAMP=23		Prime + Parallel Group 7-9	[==>]	[3]
	10		(3) NGC4911-PA29 6-A	ACS/WFC, ACCUM, WFC1-FIX	F814W	CR-SPLIT=2; GAIN=2	POS TARG 0.09,-0.08	Prime + Parallel Group 10-12	2400.0 Secs [==>1251.0 Secs (Split 1)] [==>1251.0 Secs (Split 2)]	[4]
	11		ANY	WFPC2, IMAGE, WFALL	F450W	CLOCKS=YES; CR-SPLIT=DEF		Prime + Parallel Group 10-12	2400.0 Secs [==>1300.0 Secs (Split 1)] [==>1200.0 Secs (Split 2)]	[4]
	12		ANY	NIC3, MULTIACCUM, NIC3-FIX	F110W	SAMP-SEQ=SPARS 128; OFFSET=SAM; NSAMP=23		Prime + Parallel Group 10-12	[==>]	[4]
	13		(3) NGC4911-PA29 6-A	ACS/WFC, ACCUM, WFC1-FIX	F814W	CR-SPLIT=2; GAIN=2	POS TARG 0.155,0.115	Prime + Parallel Group 13-15	2400.0 Secs [==>1251.0 Secs (Split 1)] [==>1251.0 Secs (Split 2)]	[5]
	14		ANY	WFPC2, IMAGE, WFALL	F450W	CLOCKS=YES; CR-SPLIT=DEF		Prime + Parallel Group 13-15	2400.0 Secs [==>1300.0 Secs (Split 1)] [==>1200.0 Secs (Split 2)]	[5]
	15		ANY	NIC3, MULTIACCUM, NIC3-FIX	F160W	SAMP-SEQ=SPARS 128; OFFSET=SAM; NSAMP=23		Prime + Parallel Group 13-15	[==>]	[5]











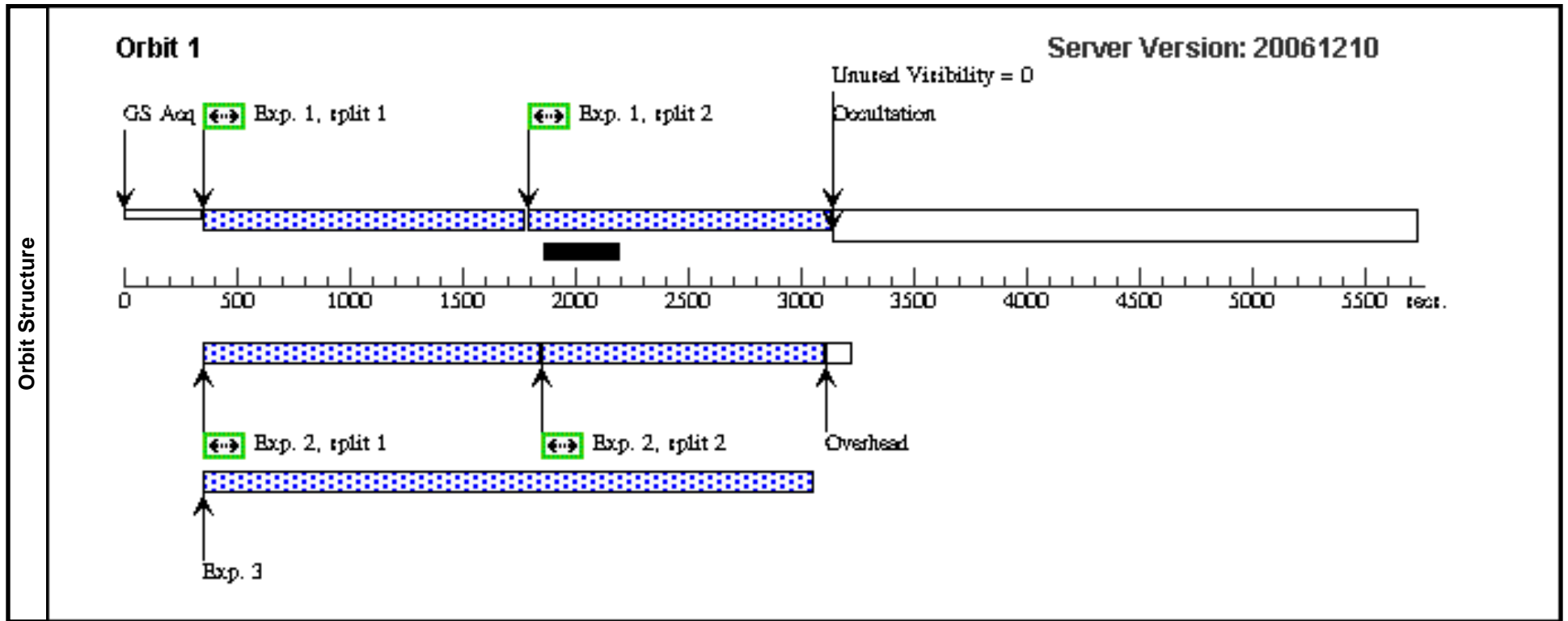
Proposal 10842 - Visit AV - A Cepheid Distance to the Coma Cluster

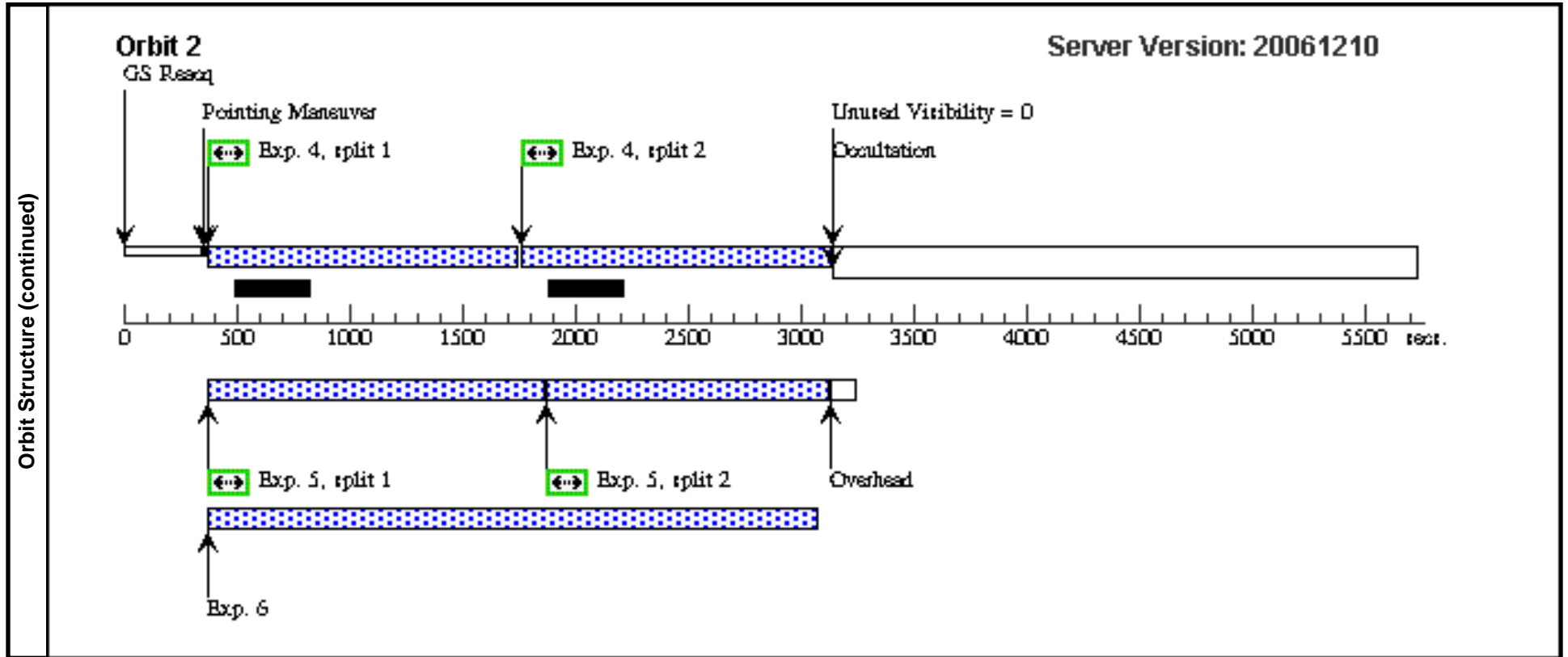
Fri Jan 19 02:15:01 GMT 2007

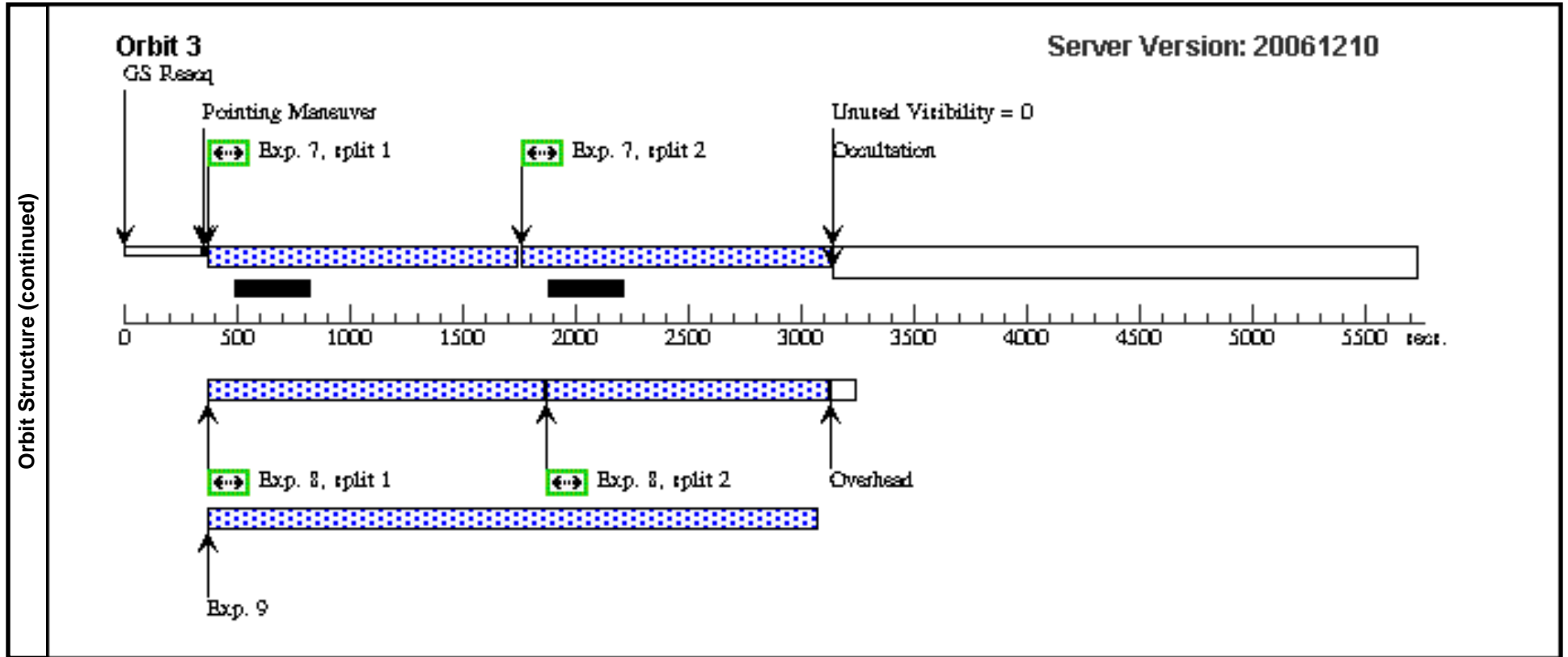
Visit	Proposal 10842, Visit AV, failed Diagnostic Status: No Diagnostics Scientific Instruments: ACS/WFC, WFPC2, NIC3 Special Requirements: PCS MODE FINE; SAME ORIENT AS A1; AFTER AU BY 5 D TO 8 D									
	Fixed Targets	#	Name	Target Coordinates	Targ. Coord. Corrections	Fluxes	Miscellaneous			
	(3)	NGC4911-PA296-A	RA: 13 00 55.5500 (195.2314583d) Dec: +27 47 23.50 (27.78986d) Equinox: J2000			V=13.0	Reference Frame: ICRS			
Exposures	#	Label	Target	Config,Mode,Aperture	Spectral Els.	Opt. Params.	Special Reqs.	Groups	Exp. Time/[Actual Dur.]	Orbit
	1		(3) NGC4911-PA296-A	ACS/WFC, ACCUM, WFC1-FIX	F814W	CR-SPLIT=2; GAIN=2	POS TARG -0.05,-0.025	Prime + Parallel Group 1-3	2400.0 Secs [==>1220.0 Secs (Split 1)] [==>1220.0 Secs (Split 2)]	[1]
	2		ANY	WFPC2, IMAGE, WFALL	F606W	CLOCKS=YES; CR-SPLIT=DEF		Prime + Parallel Group 1-3	2500.0 Secs [==>1300.0 Secs (Split 1)] [==>1200.0 Secs (Split 2)]	[1]
	3		ANY	NIC3, MULTIACCUM, NIC3-FIX	F160W	SAMP-SEQ=SPARS 128; OFFSET=SAM; NSAMP=23		Prime + Parallel Group 1-3	[==>]	[1]
	4		(3) NGC4911-PA296-A	ACS/WFC, ACCUM, WFC1-FIX	F814W	CR-SPLIT=2; GAIN=2	POS TARG -0.115,0.105	Prime + Parallel Group 4-6	2400.0 Secs [==>1251.0 Secs (Split 1)] [==>1251.0 Secs (Split 2)]	[2]
	5		ANY	WFPC2, IMAGE, WFALL	F814W	CLOCKS=YES; CR-SPLIT=DEF		Prime + Parallel Group 4-6	2500.0 Secs [==>1300.0 Secs (Split 1)] [==>1200.0 Secs (Split 2)]	[2]
	6		ANY	NIC3, MULTIACCUM, NIC3-FIX	F110W	SAMP-SEQ=SPARS 128; OFFSET=SAM; NSAMP=23		Prime + Parallel Group 4-6	[==>]	[2]
	7		(3) NGC4911-PA296-A	ACS/WFC, ACCUM, WFC1-FIX	F814W	CR-SPLIT=2; GAIN=2	POS TARG -0.18,-0.09	Prime + Parallel Group 7-9	2400.0 Secs [==>1251.0 Secs (Split 1)] [==>1251.0 Secs (Split 2)]	[3]
8		ANY	WFPC2, IMAGE, WFALL	F814W	CLOCKS=YES; CR-SPLIT=DEF		Prime + Parallel Group 7-9	2500.0 Secs [==>1300.0 Secs (Split 1)] [==>1200.0 Secs (Split 2)]	[3]	

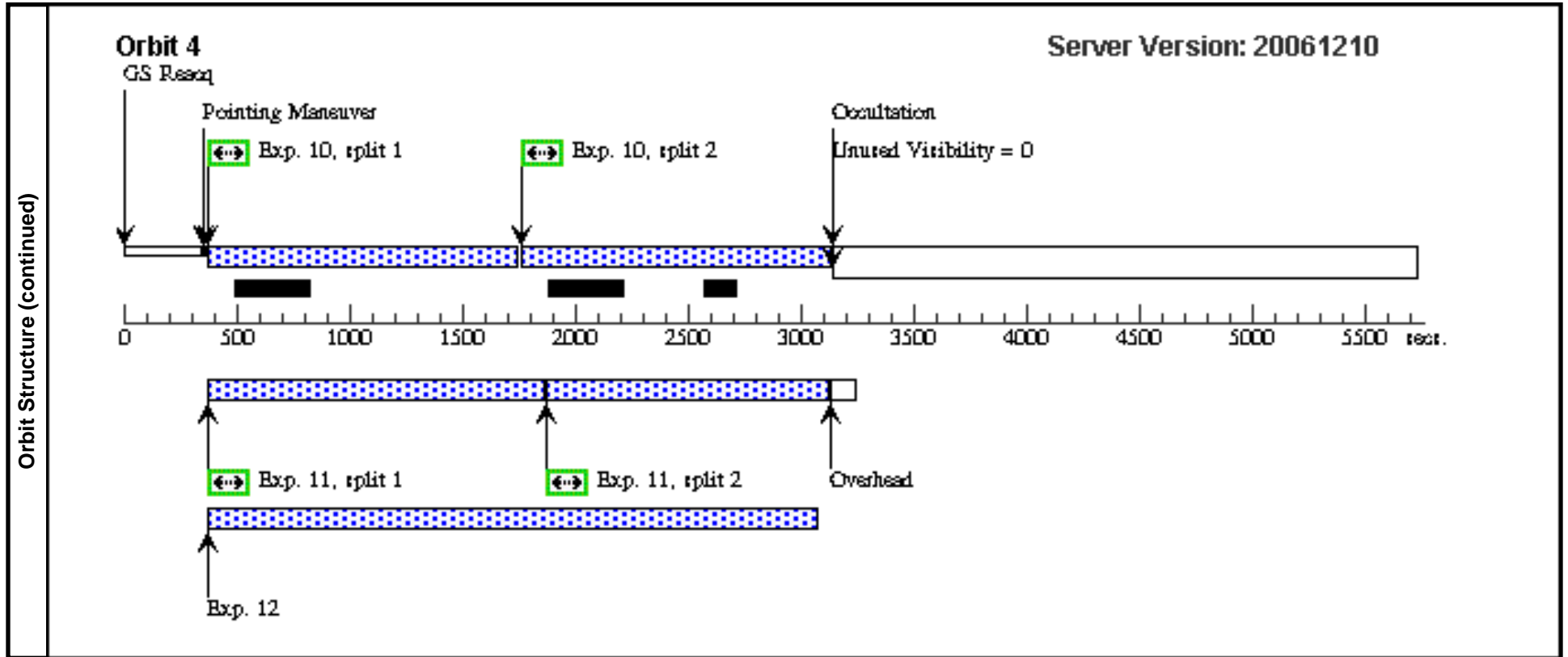
Proposal 10842 - Visit AV - A Cepheid Distance to the Coma Cluster

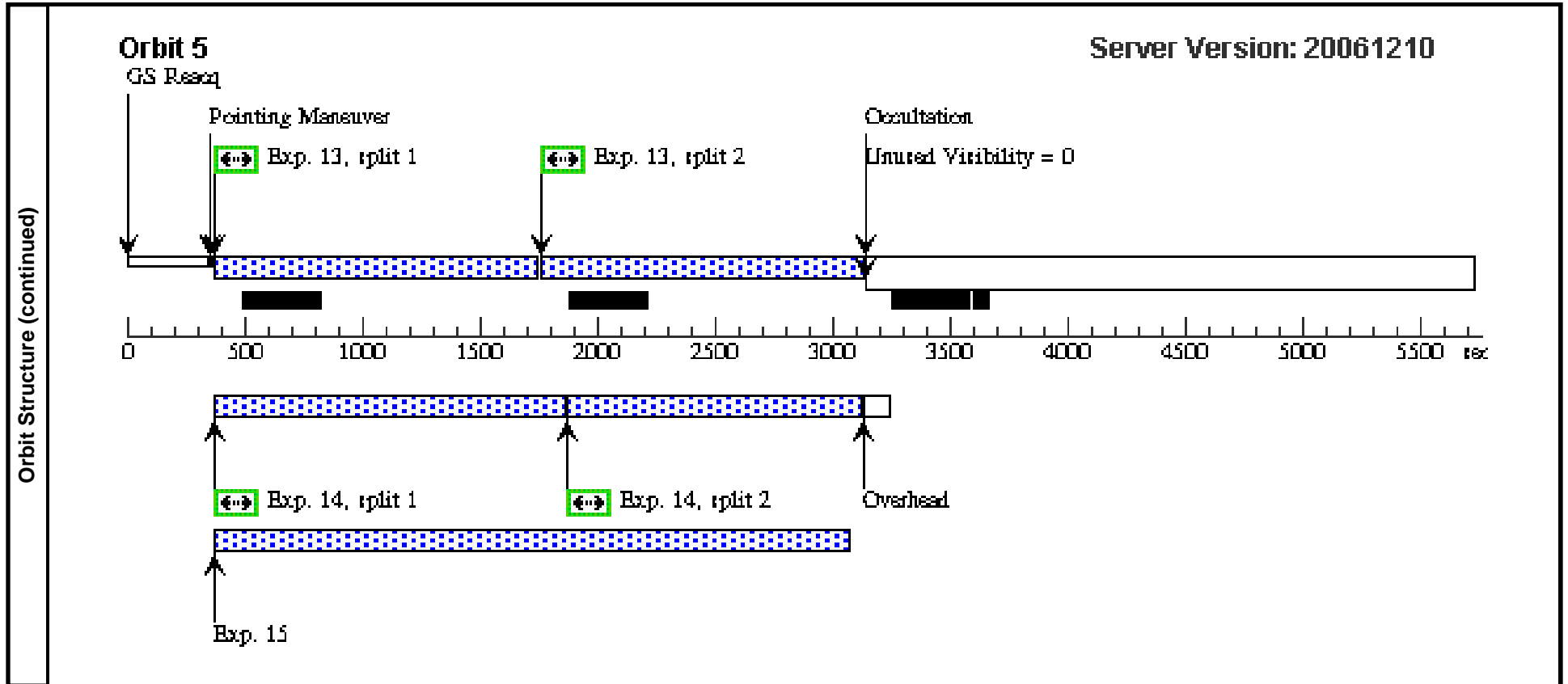
Exposures (continued)	#	Label	Target	Config,Mode,Aperture	Spectral Els.	Opt. Params.	Special Reqs.	Groups	Exp. Time/[Actual Dur.]	Orbit
	9		ANY	NIC3, MULTIACCUM, NIC3-FIX	F160W	SAMP-SEQ=SPARS 128; OFFSET=SAM; NSAMP=23		Prime + Parallel Group 7-9	[==>]	[3]
	10	(3) NGC4911-PA29 6-A	ACS/WFC, ACCUM, WFC1-FIX	F814W	CR-SPLIT=2; GAIN=2	POS TARG 0.015,-0 .155		Prime + Parallel Group 10-12	2400.0 Secs [==>1251.0 Secs (Split 1)] [==>1251.0 Secs (Split 2)]	[4]
	11		ANY	WFPC2, IMAGE, WFALL	F450W	CLOCKS=YES; CR-SPLIT=DEF		Prime + Parallel Group 10-12	2500.0 Secs [==>1300.0 Secs (Split 1)] [==>1200.0 Secs (Split 2)]	[4]
	12		ANY	NIC3, MULTIACCUM, NIC3-FIX	F110W	SAMP-SEQ=SPARS 128; OFFSET=SAM; NSAMP=23		Prime + Parallel Group 10-12	[==>]	[4]
	13	(3) NGC4911-PA29 6-A	ACS/WFC, ACCUM, WFC1-FIX	F814W	CR-SPLIT=2; GAIN=2	POS TARG 0.08,0.0 4		Prime + Parallel Group 13-15	2400.0 Secs [==>1251.0 Secs (Split 1)] [==>1251.0 Secs (Split 2)]	[5]
	14		ANY	WFPC2, IMAGE, WFALL	F450W	CLOCKS=YES; CR-SPLIT=DEF		Prime + Parallel Group 13-15	2500.0 Secs [==>1300.0 Secs (Split 1)] [==>1200.0 Secs (Split 2)]	[5]
	15		ANY	NIC3, MULTIACCUM, NIC3-FIX	F110W	SAMP-SEQ=SPARS 128; OFFSET=SAM; NSAMP=23		Prime + Parallel Group 13-15	[==>]	[5]











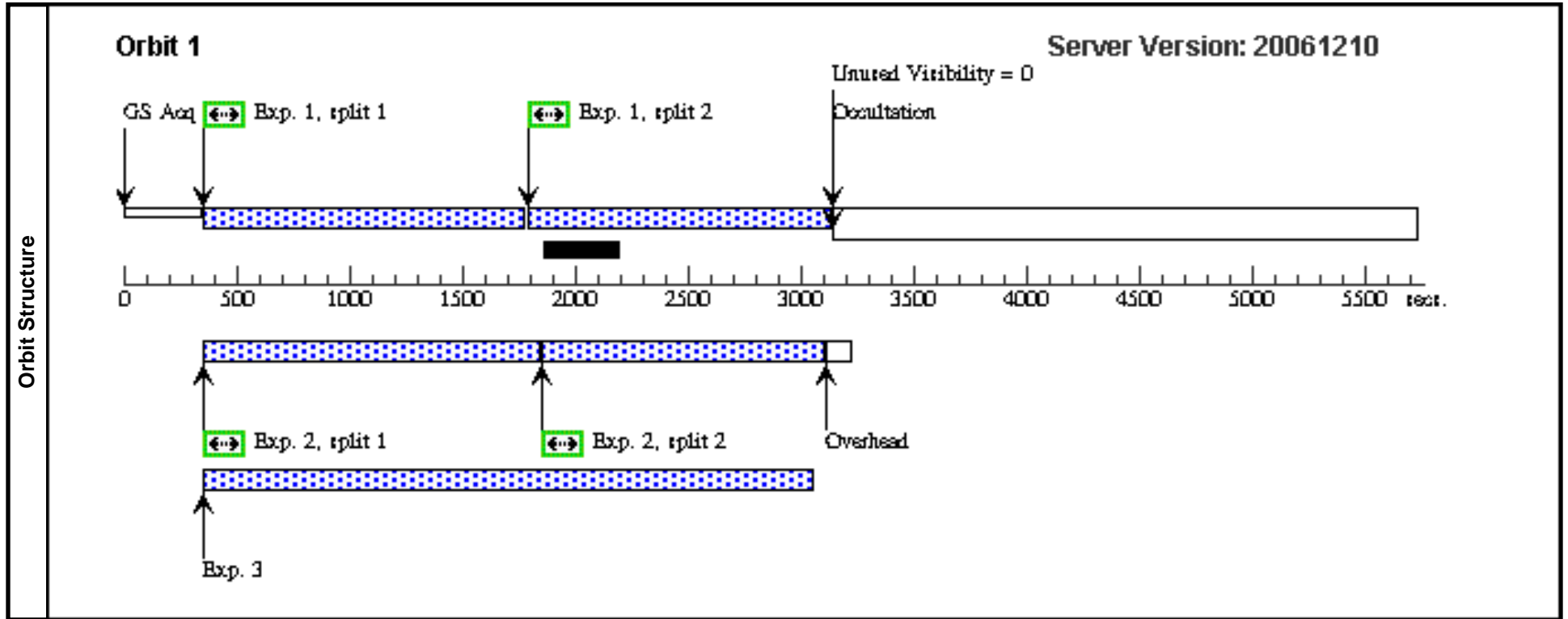
Proposal 10842 - Visit A3 - A Cepheid Distance to the Coma Cluster

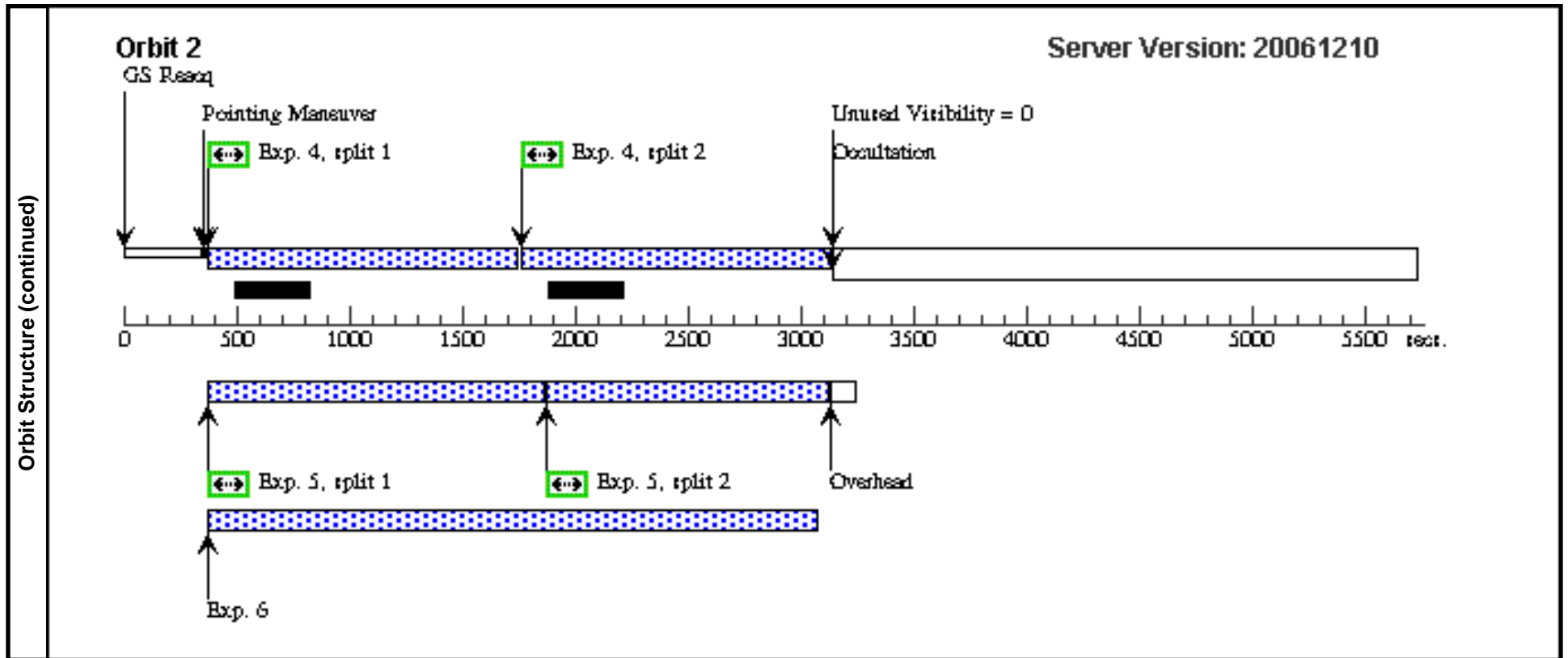
Fri Jan 19 02:15:02 GMT 2007

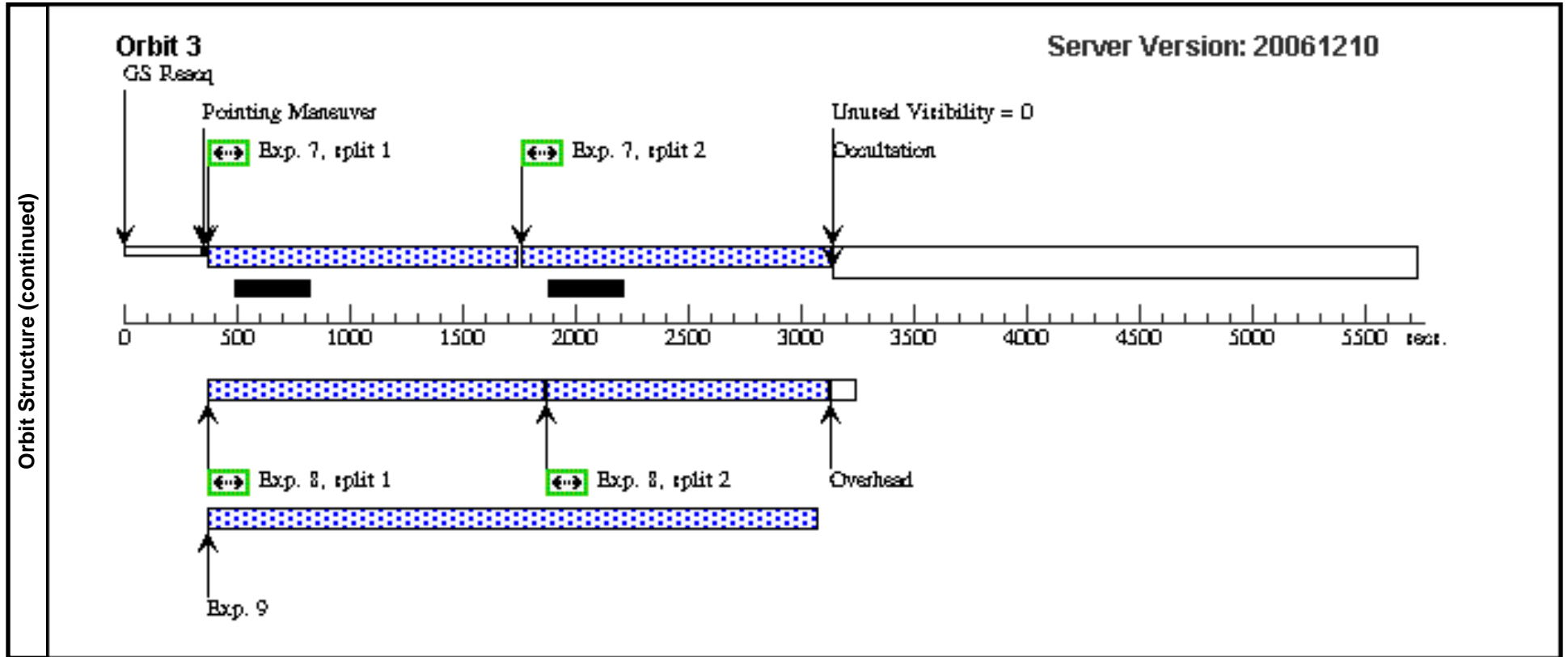
Visit	Proposal 10842, Visit A3, completed Diagnostic Status: No Diagnostics Scientific Instruments: ACS/WFC, WFPC2, NIC3 Special Requirements: PCS MODE FINE; SAME ORIENT AS A1; AFTER A1 BY 17.7 D TO 19.7 D									
	Fixed Targets	#	Name	Target Coordinates	Targ. Coord. Corrections	Fluxes	Miscellaneous			
	(3)	NGC4911-PA296-A	RA: 13 00 55.5500 (195.2314583d) Dec: +27 47 23.50 (27.78986d) Equinox: J2000			V=13.0	Reference Frame: ICRS			
Exposures	#	Label	Target	Config,Mode,Aperture	Spectral Els.	Opt. Params.	Special Reqs.	Groups	Exp. Time/[Actual Dur.]	Orbit
	1		(3) NGC4911-PA296-A	ACS/WFC, ACCUM, WFC1-FIX	F606W	CR-SPLIT=2; GAIN=2	POS TARG 0.025,0.05	Prime + Parallel Group 1-3	2400.0 Secs [==>1220.0 Secs (Split 1)] [==>1220.0 Secs (Split 2)]	[1]
	2		ANY	WFPC2, IMAGE, WFALL	F606W	CLOCKS=YES; CR-SPLIT=DEF		Prime + Parallel Group 1-3	2400.0 Secs [==>1300.0 Secs (Split 1)] [==>1200.0 Secs (Split 2)]	[1]
	3		ANY	NIC3, MULTIACCUM, NIC3-FIX	F160W	SAMP-SEQ=SPARS 128; OFFSET=SAM; NSAMP=23		Prime + Parallel Group 1-3	[==>]	[1]
	4		(3) NGC4911-PA296-A	ACS/WFC, ACCUM, WFC1-FIX	F606W	CR-SPLIT=2; GAIN=2	POS TARG -0.04,0.18	Prime + Parallel Group 4-6	2400.0 Secs [==>1251.0 Secs (Split 1)] [==>1251.0 Secs (Split 2)]	[2]
	5		ANY	WFPC2, IMAGE, WFALL	F814W	CLOCKS=YES; CR-SPLIT=DEF		Prime + Parallel Group 4-6	2400.0 Secs [==>1300.0 Secs (Split 1)] [==>1200.0 Secs (Split 2)]	[2]
	6		ANY	NIC3, MULTIACCUM, NIC3-FIX	F110W	SAMP-SEQ=SPARS 128; OFFSET=SAM; NSAMP=23		Prime + Parallel Group 4-6	[==>]	[2]
	7		(3) NGC4911-PA296-A	ACS/WFC, ACCUM, WFC1-FIX	F606W	CR-SPLIT=2; GAIN=2	POS TARG -0.105,-0.015	Prime + Parallel Group 7-9	2400.0 Secs [==>1251.0 Secs (Split 1)] [==>1251.0 Secs (Split 2)]	[3]
8		ANY	WFPC2, IMAGE, WFALL	F814W	CLOCKS=YES; CR-SPLIT=DEF		Prime + Parallel Group 7-9	2400.0 Secs [==>1300.0 Secs (Split 1)] [==>1200.0 Secs (Split 2)]	[3]	

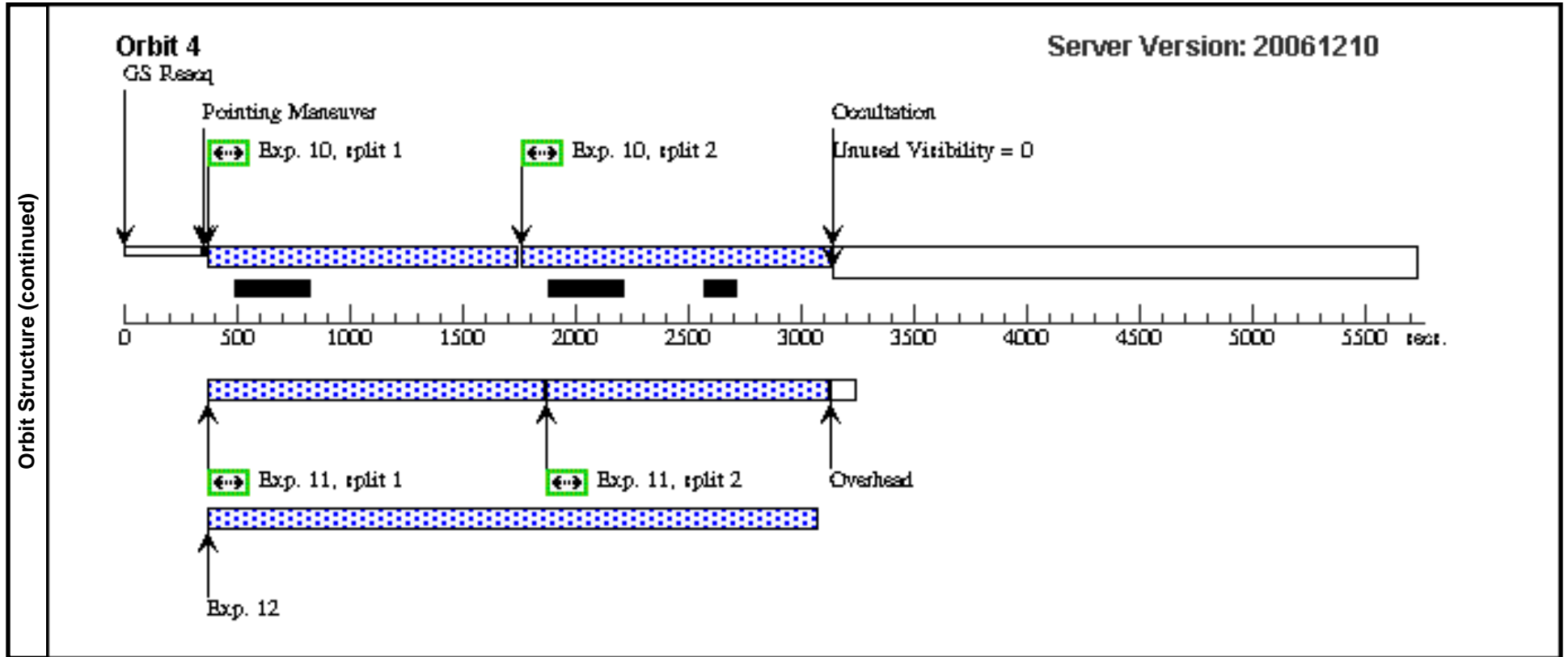
Proposal 10842 - Visit A3 - A Cepheid Distance to the Coma Cluster

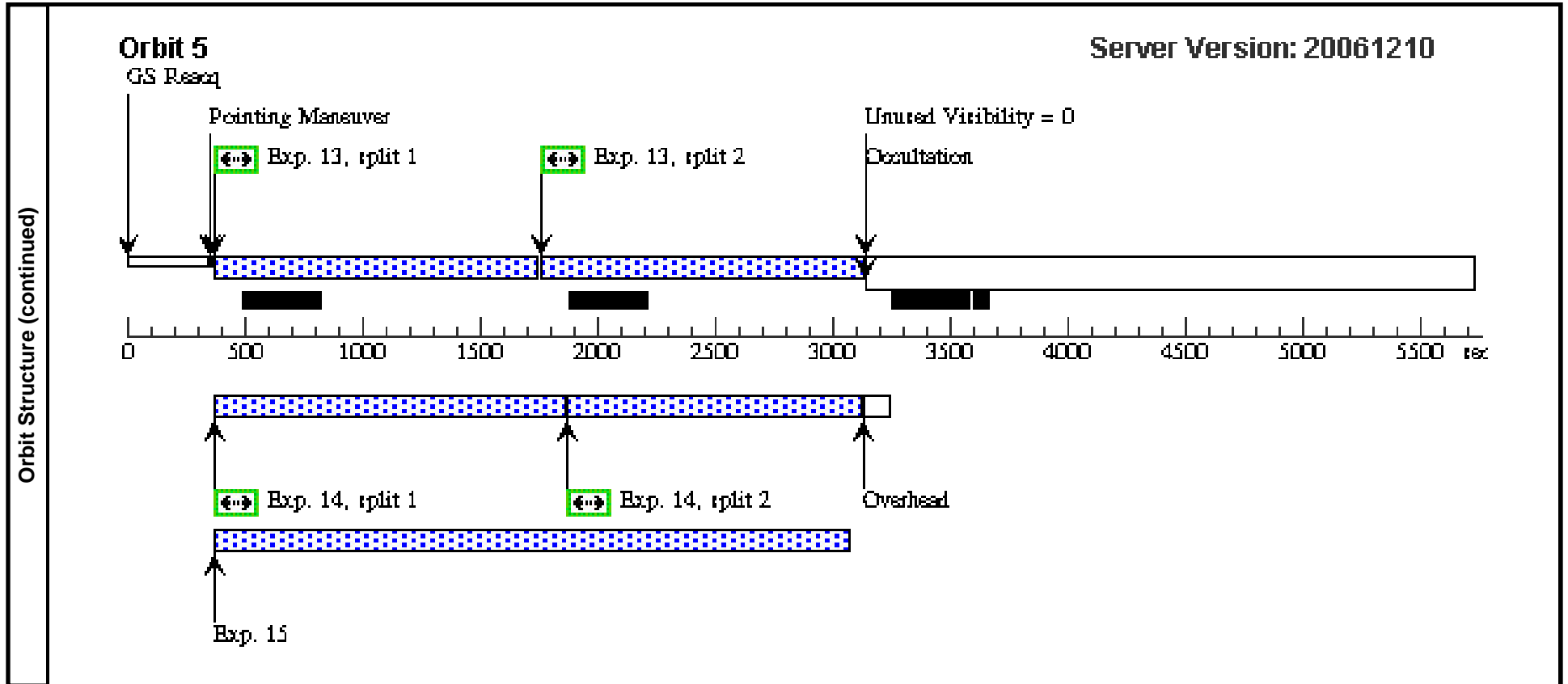
Exposures (continued)	#	Label	Target	Config,Mode,Aperture	Spectral Els.	Opt. Params.	Special Reqs.	Groups	Exp. Time/[Actual Dur.]	Orbit
	9		ANY	NIC3, MULTIACCUM, NIC3-FIX	F160W	SAMP-SEQ=SPARS 128; OFFSET=SAM; NSAMP=23		Prime + Parallel Group 7-9	[==>]	[3]
	10	(3) NGC4911-PA29 6-A	ACS/WFC, ACCUM, WFC1-FIX	F606W	CR-SPLIT=2; GAIN=2	POS TARG 0.09,-0.08		Prime + Parallel Group 10-12	2400.0 Secs [==>1251.0 Secs (Split 1)] [==>1251.0 Secs (Split 2)]	[4]
	11	ANY	WFPC2, IMAGE, WFALL	F450W	CLOCKS=YES; CR-SPLIT=DEF			Prime + Parallel Group 10-12	2400.0 Secs [==>1300.0 Secs (Split 1)] [==>1200.0 Secs (Split 2)]	[4]
	12	ANY	NIC3, MULTIACCUM, NIC3-FIX	F110W	SAMP-SEQ=SPARS 128; OFFSET=SAM; NSAMP=23			Prime + Parallel Group 10-12	[==>]	[4]
	13	(3) NGC4911-PA29 6-A	ACS/WFC, ACCUM, WFC1-FIX	F606W	CR-SPLIT=2; GAIN=2	POS TARG 0.155,0.115		Prime + Parallel Group 13-15	2400.0 Secs [==>1251.0 Secs (Split 1)] [==>1251.0 Secs (Split 2)]	[5]
	14	ANY	WFPC2, IMAGE, WFALL	F450W	CLOCKS=YES; CR-SPLIT=DEF			Prime + Parallel Group 13-15	2400.0 Secs [==>1300.0 Secs (Split 1)] [==>1200.0 Secs (Split 2)]	[5]
	15	ANY	NIC3, MULTIACCUM, NIC3-FIX	F110W	SAMP-SEQ=SPARS 128; OFFSET=SAM; NSAMP=23			Prime + Parallel Group 13-15	[==>]	[5]











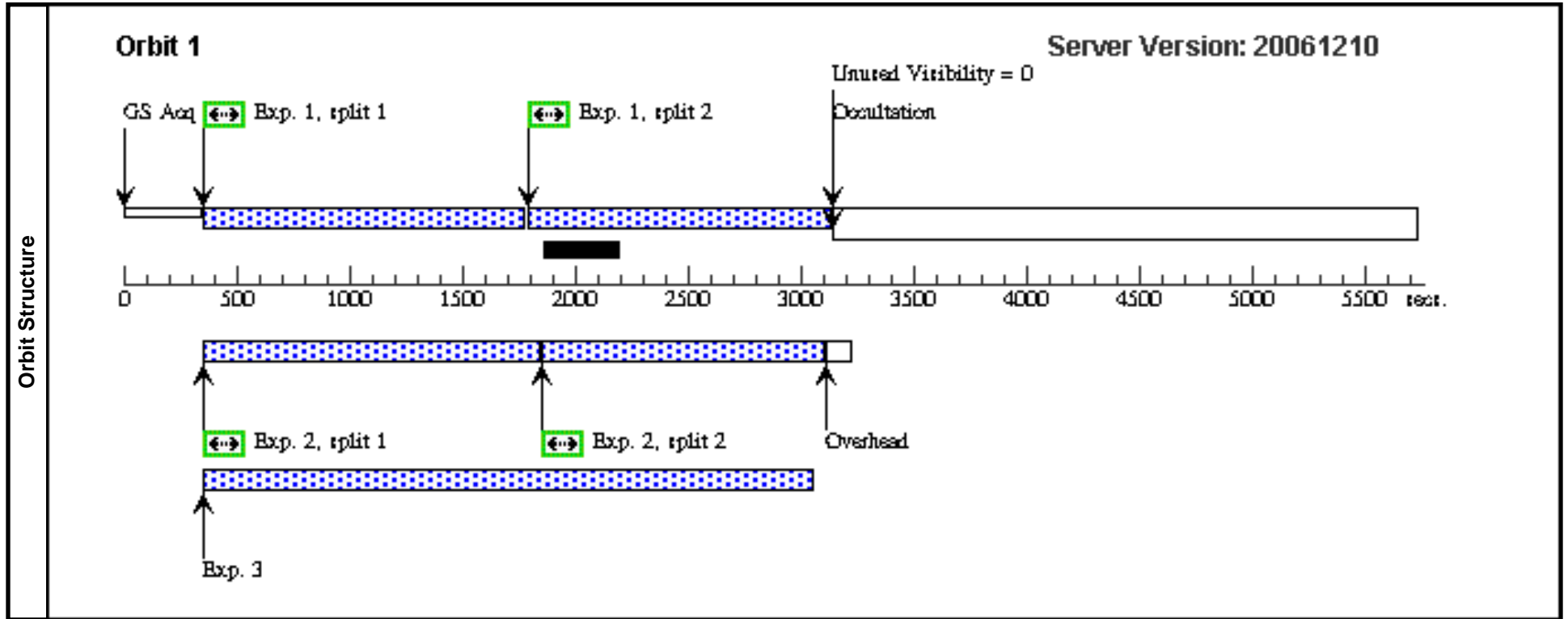
Proposal 10842 - Visit A4 - A Cepheid Distance to the Coma Cluster

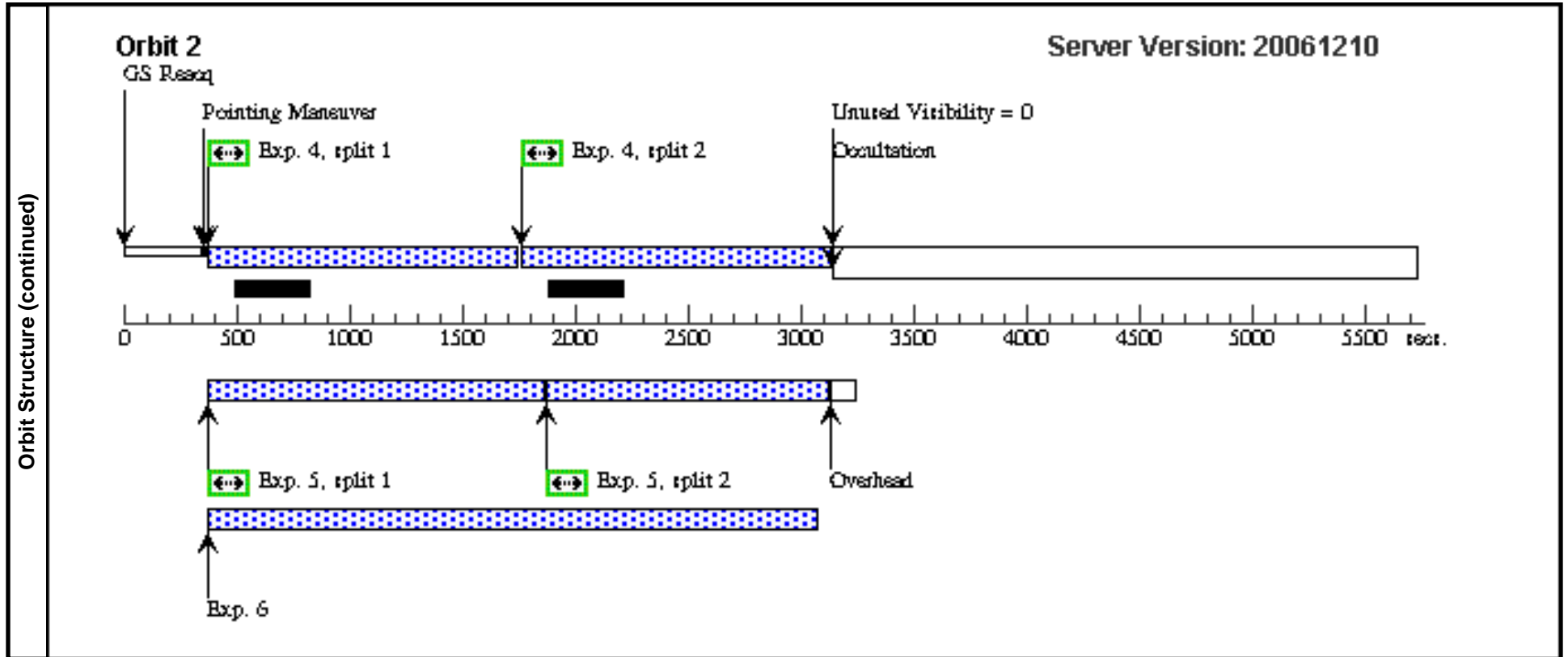
Fri Jan 19 02:15:03 GMT 2007

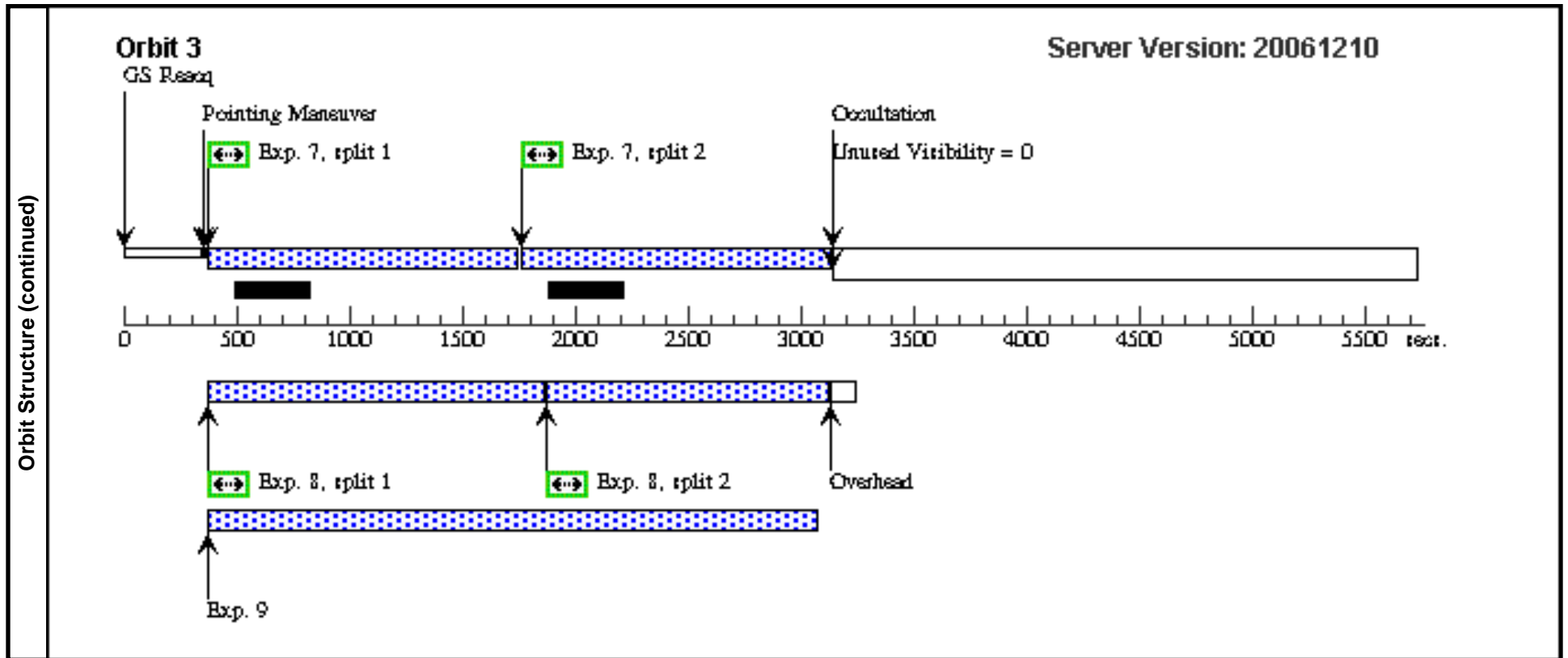
Visit	Proposal 10842, Visit A4, completed Diagnostic Status: No Diagnostics Scientific Instruments: ACS/WFC, WFPC2, NIC3 Special Requirements: PCS MODE FINE; SAME ORIENT AS A1; AFTER A1 BY 29.7 D TO 31.7 D									
	Fixed Targets	#	Name	Target Coordinates	Targ. Coord.	Corrections	Fluxes	Miscellaneous		
	(3)	NGC4911-PA296-A	RA: 13 00 55.5500 (195.2314583d) Dec: +27 47 23.50 (27.78986d) Equinox: J2000			V=13.0	Reference Frame: ICRS			
Exposures	#	Label	Target	Config,Mode,Aperture	Spectral Els.	Opt. Params.	Special Reqs.	Groups	Exp. Time/[Actual Dur.]	Orbit
	1	(3) NGC4911-PA296-A	ACS/WFC, ACCUM, WFC1-FIX	F606W	CR-SPLIT=2; GAIN=2	POS TARG -0.05,-0.025	Prime + Parallel Group 1-3	2400.0 Secs [==>1220.0 Secs (Split 1)] [==>1220.0 Secs (Split 2)]	[1]	
	2	ANY	WFPC2, IMAGE, WFALL	F606W	CLOCKS=YES; CR-SPLIT=DEF		Prime + Parallel Group 1-3	2400.0 Secs [==>1300.0 Secs (Split 1)] [==>1200.0 Secs (Split 2)]	[1]	
	3	ANY	NIC3, MULTIACCUM, NIC3-FIX	F160W	SAMP-SEQ=SPARS 128; OFFSET=SAM; NSAMP=23		Prime + Parallel Group 1-3	[==>]	[1]	
	4	(3) NGC4911-PA296-A	ACS/WFC, ACCUM, WFC1-FIX	F606W	CR-SPLIT=2; GAIN=2	POS TARG -0.115,0.105	Prime + Parallel Group 4-6	2400.0 Secs [==>1251.0 Secs (Split 1)] [==>1251.0 Secs (Split 2)]	[2]	
	5	ANY	WFPC2, IMAGE, WFALL	F814W	CLOCKS=YES; CR-SPLIT=DEF		Prime + Parallel Group 4-6	2400.0 Secs [==>1300.0 Secs (Split 1)] [==>1200.0 Secs (Split 2)]	[2]	
	6	ANY	NIC3, MULTIACCUM, NIC3-FIX	F110W	SAMP-SEQ=SPARS 128; OFFSET=SAM; NSAMP=23		Prime + Parallel Group 4-6	[==>]	[2]	
	7	(3) NGC4911-PA296-A	ACS/WFC, ACCUM, WFC1-FIX	F606W	CR-SPLIT=2; GAIN=2	POS TARG -0.18,-0.09	Prime + Parallel Group 7-9	2400.0 Secs [==>1251.0 Secs (Split 1)] [==>1251.0 Secs (Split 2)]	[3]	
8	ANY	WFPC2, IMAGE, WFALL	F814W	CLOCKS=YES; CR-SPLIT=DEF		Prime + Parallel Group 7-9	2400.0 Secs [==>1300.0 Secs (Split 1)] [==>1200.0 Secs (Split 2)]	[3]		

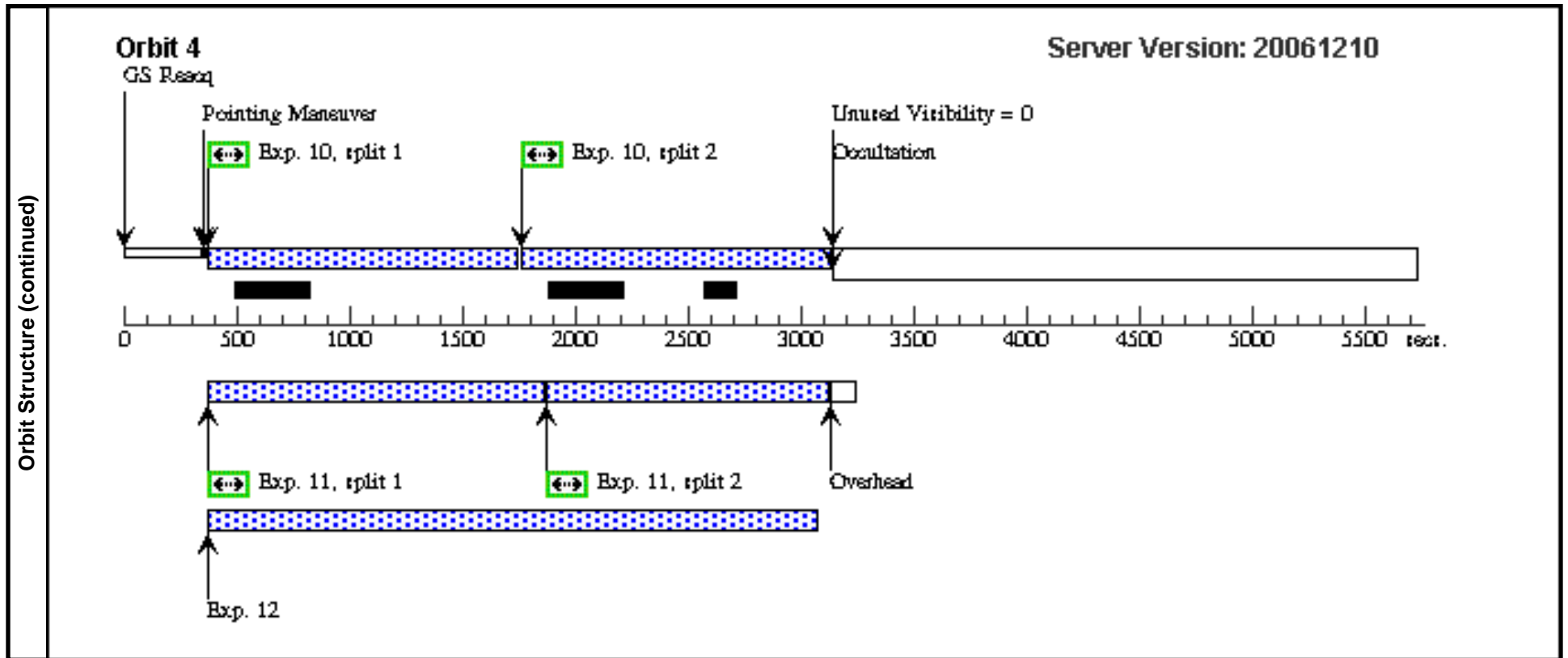
Proposal 10842 - Visit A4 - A Cepheid Distance to the Coma Cluster

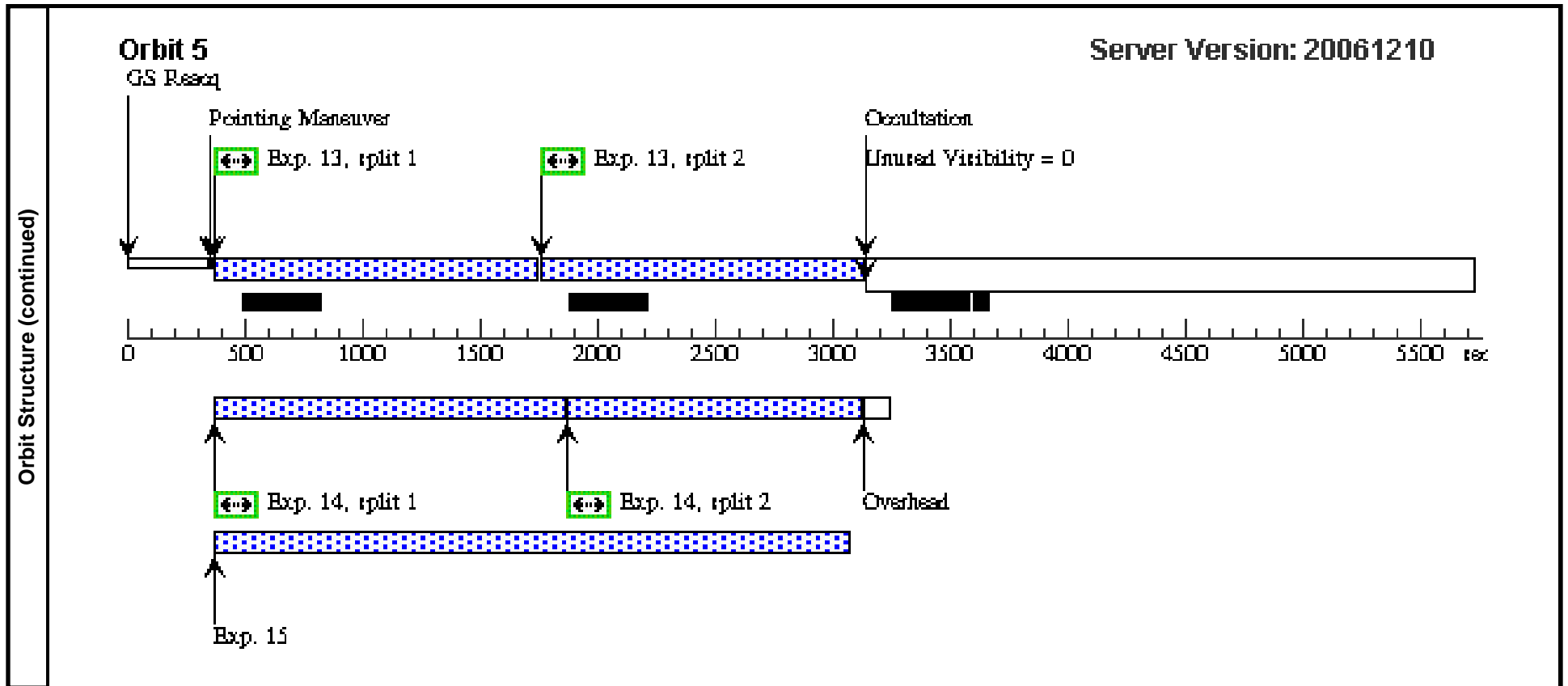
Exposures (continued)	#	Label	Target	Config,Mode,Aperture	Spectral Els.	Opt. Params.	Special Reqs.	Groups	Exp. Time/[Actual Dur.]	Orbit
	9		ANY	NIC3, MULTIACCUM, NIC3-FIX	F160W	SAMP-SEQ=SPARS 128; OFFSET=SAM; NSAMP=23		Prime + Parallel Group 7-9	[==>]	[3]
	10	(3) NGC4911-PA29 6-A	ACS/WFC, ACCUM, WFC1-FIX	F606W	CR-SPLIT=2; GAIN=2	POS TARG 0.015,-0 .155		Prime + Parallel Group 10-12	2400.0 Secs [==>1251.0 Secs (Split 1)] [==>1251.0 Secs (Split 2)]	[4]
	11		ANY	WFPC2, IMAGE, WFALL	F450W	CLOCKS=YES; CR-SPLIT=DEF		Prime + Parallel Group 10-12	2400.0 Secs [==>1300.0 Secs (Split 1)] [==>1200.0 Secs (Split 2)]	[4]
	12		ANY	NIC3, MULTIACCUM, NIC3-FIX	F110W	SAMP-SEQ=SPARS 128; OFFSET=SAM; NSAMP=23		Prime + Parallel Group 10-12	[==>]	[4]
	13	(3) NGC4911-PA29 6-A	ACS/WFC, ACCUM, WFC1-FIX	F606W	CR-SPLIT=2; GAIN=2	POS TARG 0.08,0 4		Prime + Parallel Group 13-15	2400.0 Secs [==>1251.0 Secs (Split 1)] [==>1251.0 Secs (Split 2)]	[5]
	14		ANY	WFPC2, IMAGE, WFALL	F450W	CLOCKS=YES; CR-SPLIT=DEF		Prime + Parallel Group 13-15	2400.0 Secs [==>1300.0 Secs (Split 1)] [==>1200.0 Secs (Split 2)]	[5]
	15		ANY	NIC3, MULTIACCUM, NIC3-FIX	F110W	SAMP-SEQ=SPARS 128; OFFSET=SAM; NSAMP=23		Prime + Parallel Group 13-15	[==>]	[5]











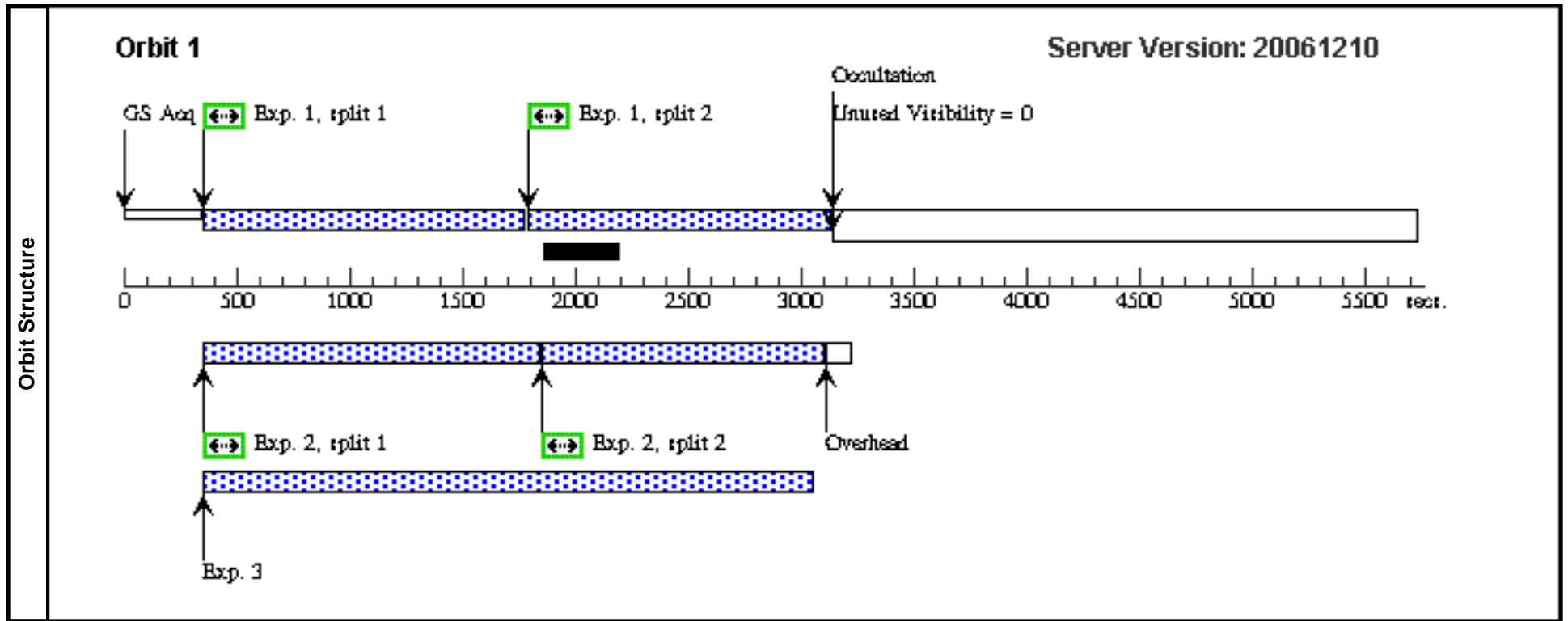
Proposal 10842 - Visit A5 - A Cepheid Distance to the Coma Cluster

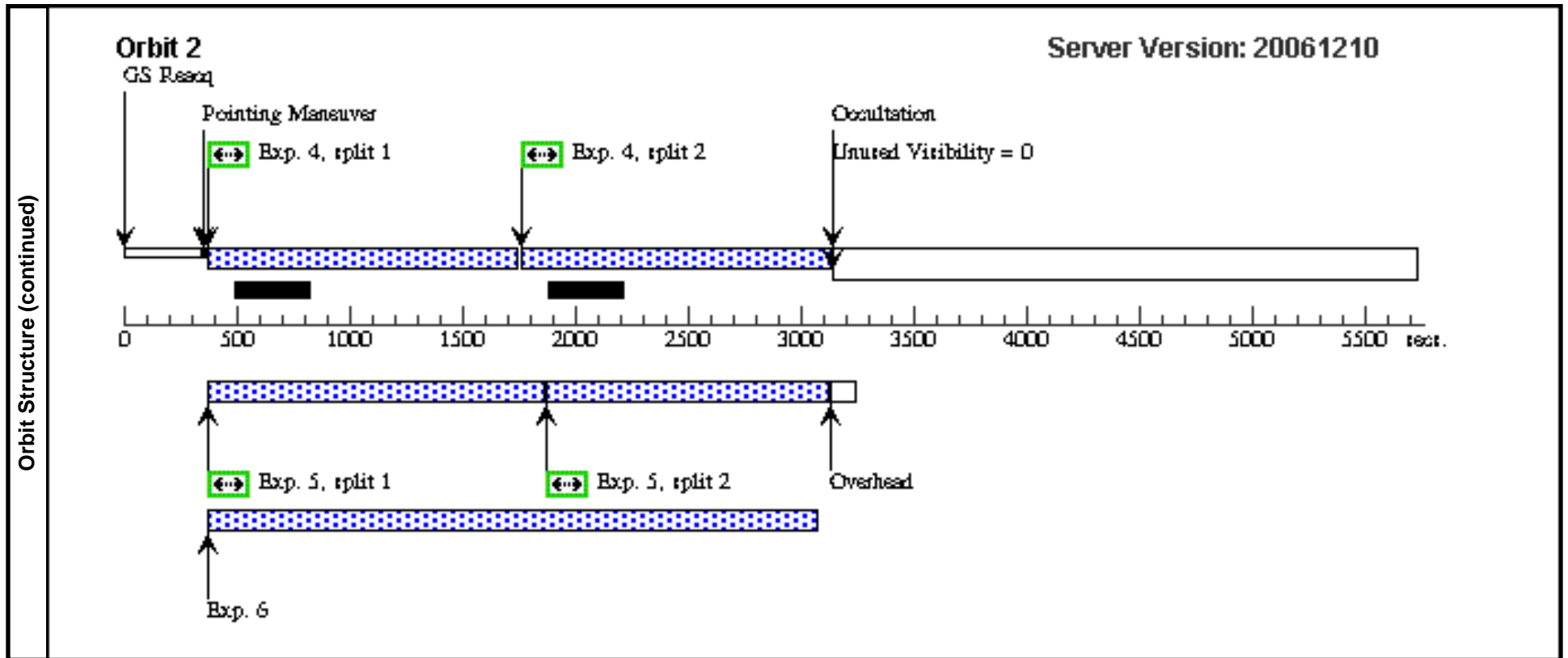
Fri Jan 19 02:15:05 GMT 2007

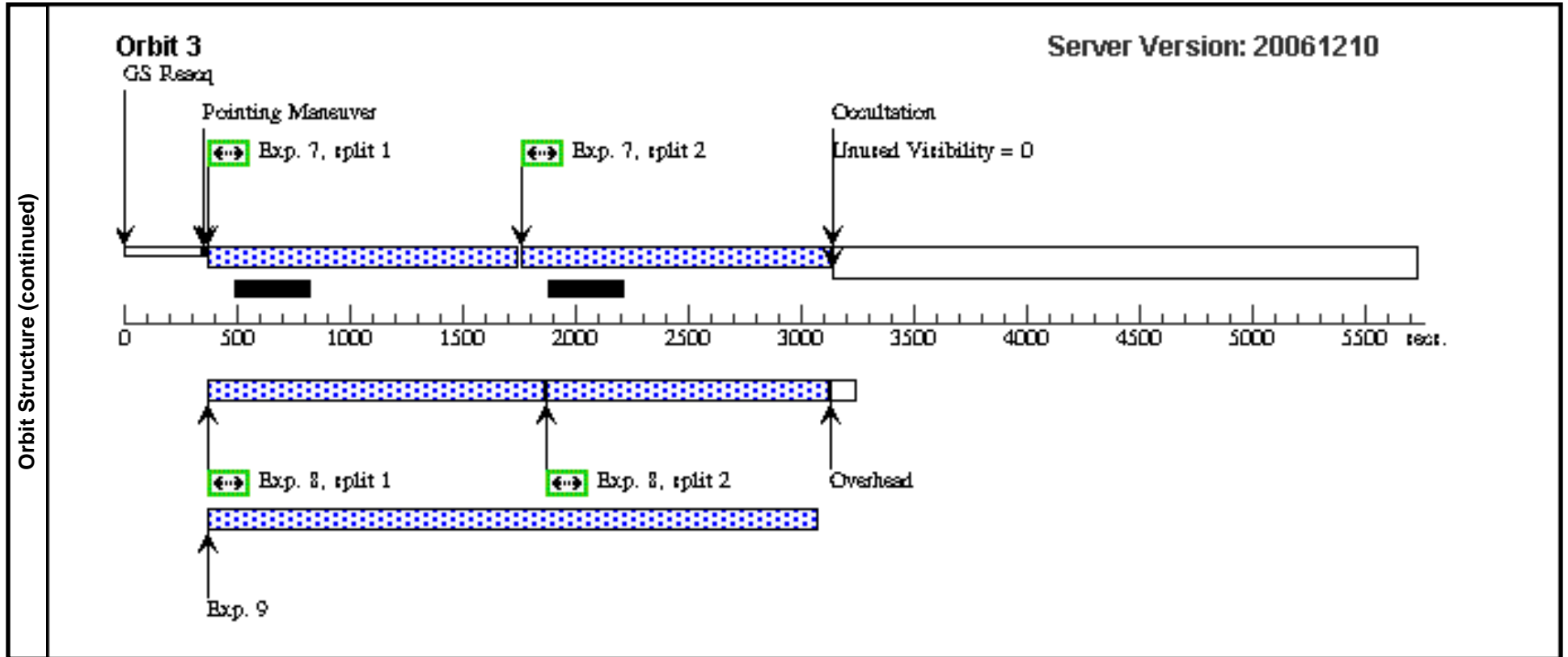
Visit	Proposal 10842, Visit A5, scheduling					Fluxes	Miscellaneous			
	Diagnostic Status: No Diagnostics									
Fixed Targets	Scientific Instruments: ACS/WFC, WFPC2, NIC3					V=13.0	Reference Frame: ICRS			
	Special Requirements: PCS MODE FINE; ORIENT 296.5D TO 296.5 D; AFTER A1 BY 37.8 D TO 38.4 D									
#	Name	Target Coordinates	Targ. Coord.	Corrections						
(9)	NGC4911-PA296-B	RA: 13 00 55.5700 (195.2315417d) Dec: +27 47 24.00 (27.79000d) Equinox: J2000								
Exposures	#	Label	Target	Config,Mode,Aperture	Spectral Els.	Opt. Params.	Special Reqs.	Groups	Exp. Time/[Actual Dur.]	Orbit
	1		(9) NGC4911-PA296-B	ACS/WFC, ACCUM, WFC1-FIX	F606W	CR-SPLIT=2; GAIN=2		Prime + Parallel Group 1-3	2400.0 Secs [==>1220.0 Secs (Split 1)] [==>1220.0 Secs (Split 2)]	[1]
	2		ANY	WFPC2, IMAGE, WFALL	F606W	CLOCKS=YES; CR-SPLIT=DEF		Prime + Parallel Group 1-3	2400.0 Secs [==>1300.0 Secs (Split 1)] [==>1200.0 Secs (Split 2)]	[1]
	3		ANY	NIC3, MULTIACCUM, NIC3-FIX	F160W	SAMP-SEQ=SPARS 128; OFFSET=SAM; NSAMP=23		Prime + Parallel Group 1-3	[==>]	[1]
	4		(9) NGC4911-PA296-B	ACS/WFC, ACCUM, WFC1-FIX	F606W	CR-SPLIT=2; GAIN=2	POS TARG 0.13,-0.065	Prime + Parallel Group 4-6	2400.0 Secs [==>1251.0 Secs (Split 1)] [==>1251.0 Secs (Split 2)]	[2]
	5		ANY	WFPC2, IMAGE, WFALL	F606W	CLOCKS=YES; CR-SPLIT=DEF		Prime + Parallel Group 4-6	2400.0 Secs [==>1300.0 Secs (Split 1)] [==>1200.0 Secs (Split 2)]	[2]
	6		ANY	NIC3, MULTIACCUM, NIC3-FIX	F110W	SAMP-SEQ=SPARS 128; OFFSET=SAM; NSAMP=23		Prime + Parallel Group 4-6	[==>]	[2]
	7		(9) NGC4911-PA296-B	ACS/WFC, ACCUM, WFC1-FIX	F606W	CR-SPLIT=2; GAIN=2	POS TARG -0.065,-0.13	Prime + Parallel Group 7-9	2400.0 Secs [==>1251.0 Secs (Split 1)] [==>1251.0 Secs (Split 2)]	[3]
8		ANY	WFPC2, IMAGE, WFALL	F814W	CLOCKS=YES; CR-SPLIT=DEF		Prime + Parallel Group 7-9	2400.0 Secs [==>1300.0 Secs (Split 1)] [==>1200.0 Secs (Split 2)]	[3]	

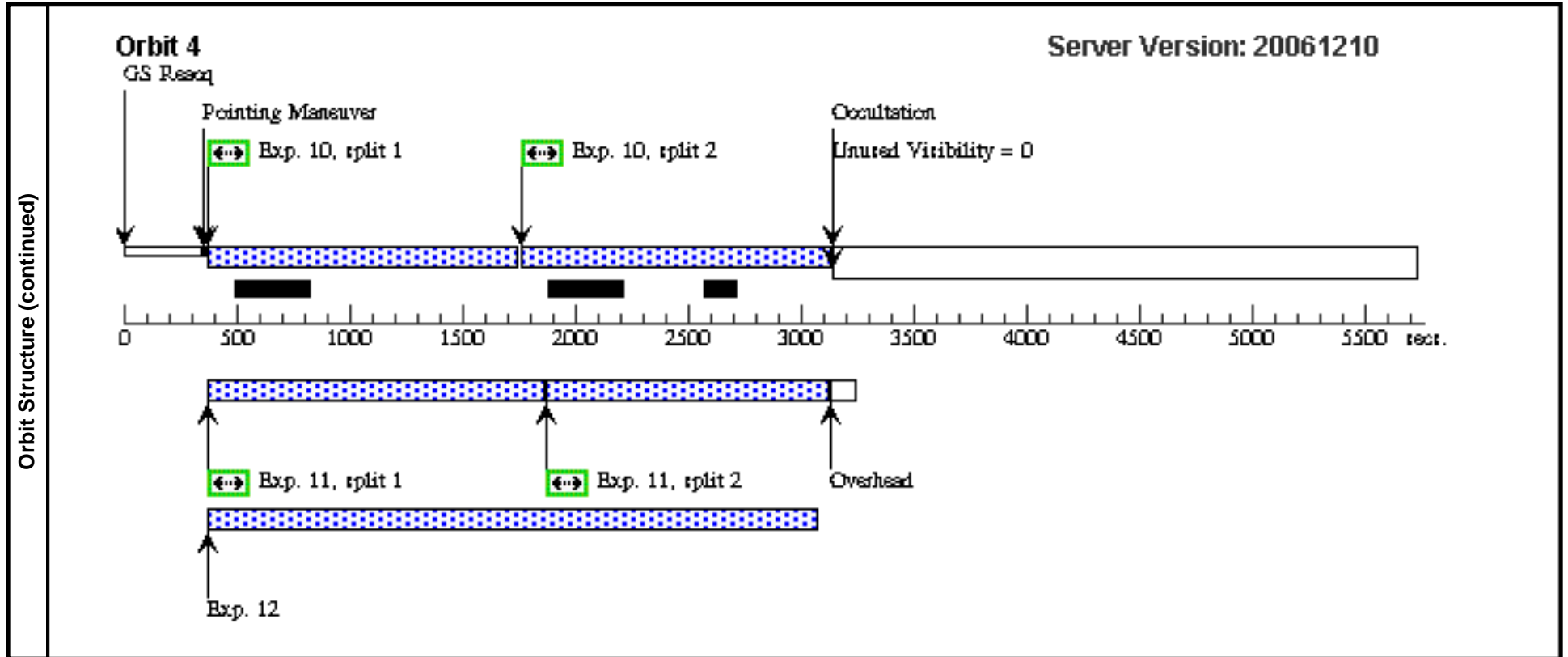
Proposal 10842 - Visit A5 - A Cepheid Distance to the Coma Cluster

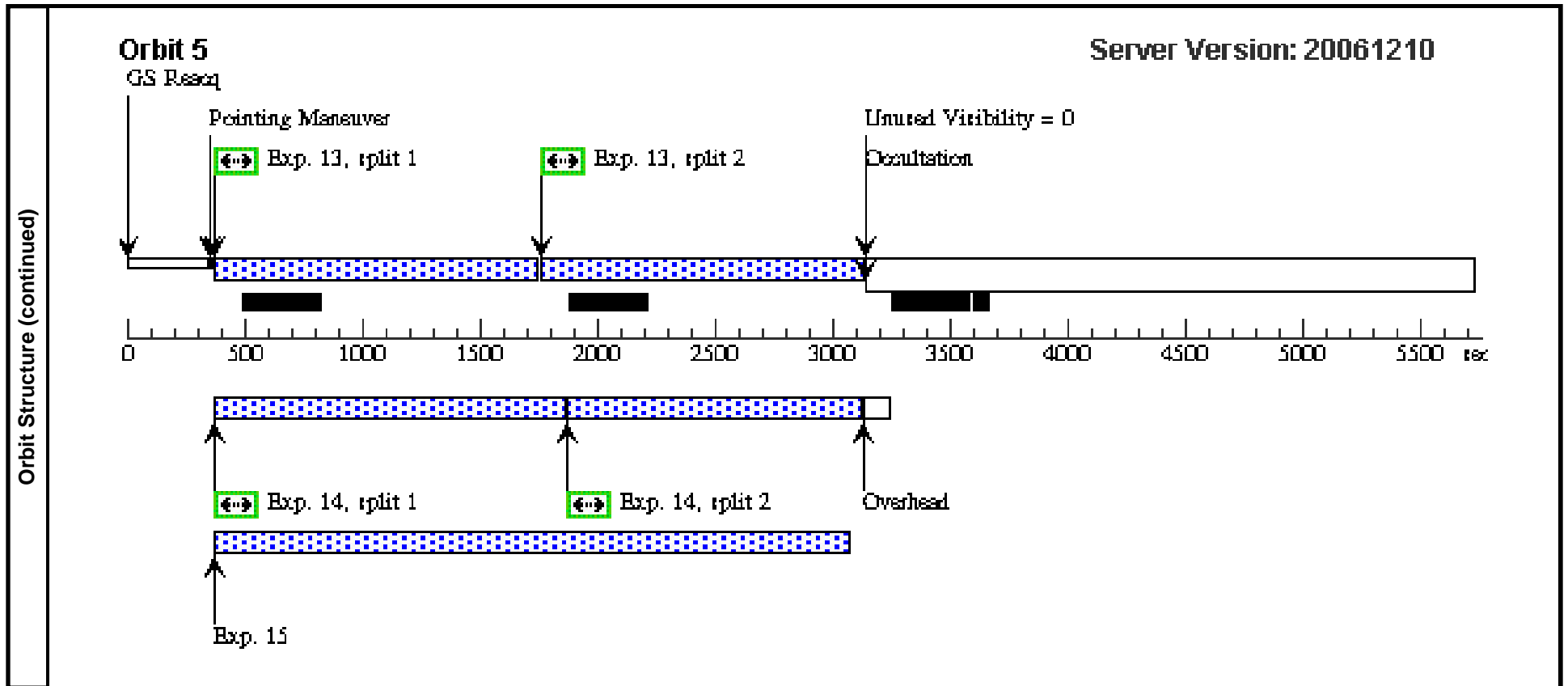
Exposures (continued)	#	Label	Target	Config,Mode,Aperture	Spectral Els.	Opt. Params.	Special Reqs.	Groups	Exp. Time/[Actual Dur.]	Orbit
	9		ANY	NIC3, MULTIACCUM, NIC3-FIX	F160W	SAMP-SEQ=SPARS 128; OFFSET=SAM; NSAMP=23		Prime + Parallel Group 7-9	[==>]	[3]
	10		(9) NGC4911-PA29 6-B	ACS/WFC, ACCUM, WFC1-FIX	F606W	CR-SPLIT=2; GAIN=2	POS TARG -0.13,0. 065	Prime + Parallel Group 10-12	2400.0 Secs [==>1251.0 Secs (Split 1)] [==>1251.0 Secs (Split 2)]	[4]
	11		ANY	WFPC2, IMAGE, WFALL	F450W	CLOCKS=YES; CR-SPLIT=DEF		Prime + Parallel Group 10-12	2400.0 Secs [==>1300.0 Secs (Split 1)] [==>1200.0 Secs (Split 2)]	[4]
	12		ANY	NIC3, MULTIACCUM, NIC3-FIX	F110W	SAMP-SEQ=SPARS 128; OFFSET=SAM; NSAMP=23		Prime + Parallel Group 10-12	[==>]	[4]
	13		(9) NGC4911-PA29 6-B	ACS/WFC, ACCUM, WFC1-FIX	F606W	CR-SPLIT=2; GAIN=2	POS TARG 0.065,0. 13	Prime + Parallel Group 13-15	2400.0 Secs [==>1251.0 Secs (Split 1)] [==>1251.0 Secs (Split 2)]	[5]
	14		ANY	WFPC2, IMAGE, WFALL	F450W	CLOCKS=YES; CR-SPLIT=DEF		Prime + Parallel Group 13-15	2400.0 Secs [==>1300.0 Secs (Split 1)] [==>1200.0 Secs (Split 2)]	[5]
	15		ANY	NIC3, MULTIACCUM, NIC3-FIX	F160W	SAMP-SEQ=SPARS 128; OFFSET=SAM; NSAMP=23		Prime + Parallel Group 13-15	[==>]	[5]











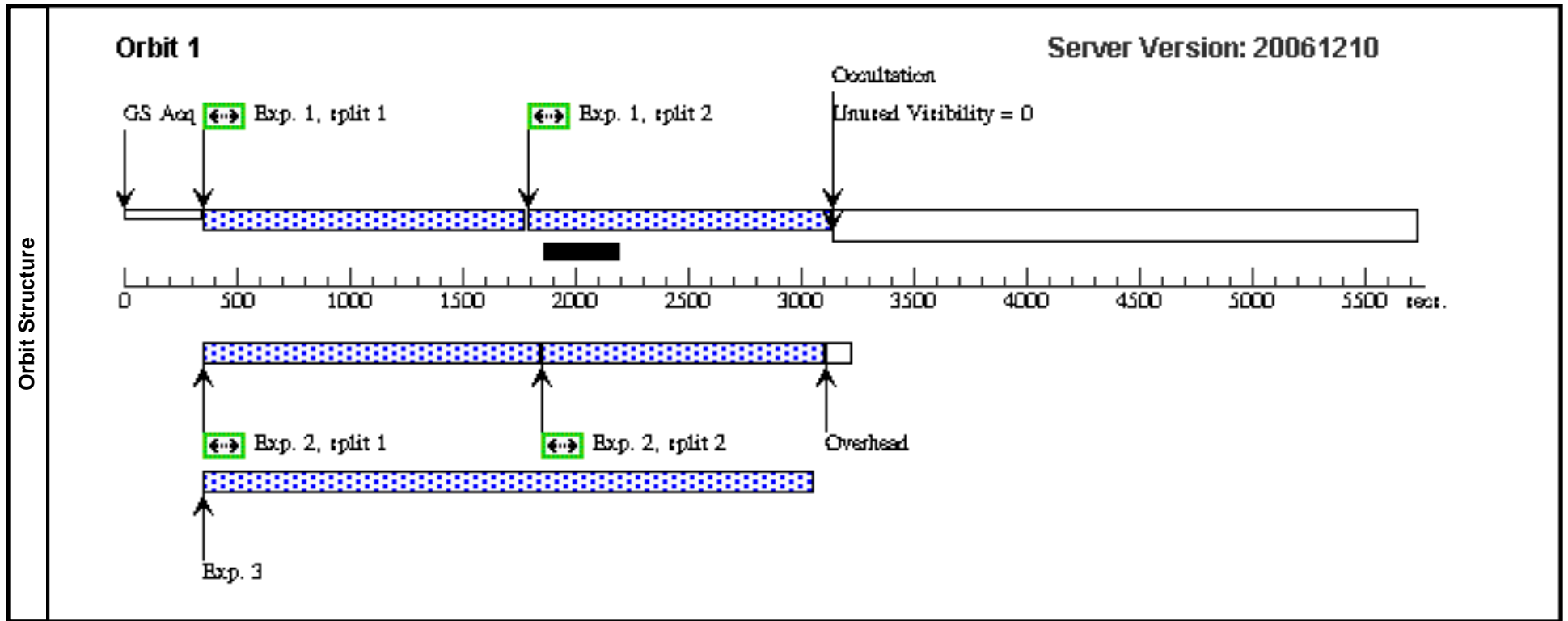
Proposal 10842 - Visit A6 - A Cepheid Distance to the Coma Cluster

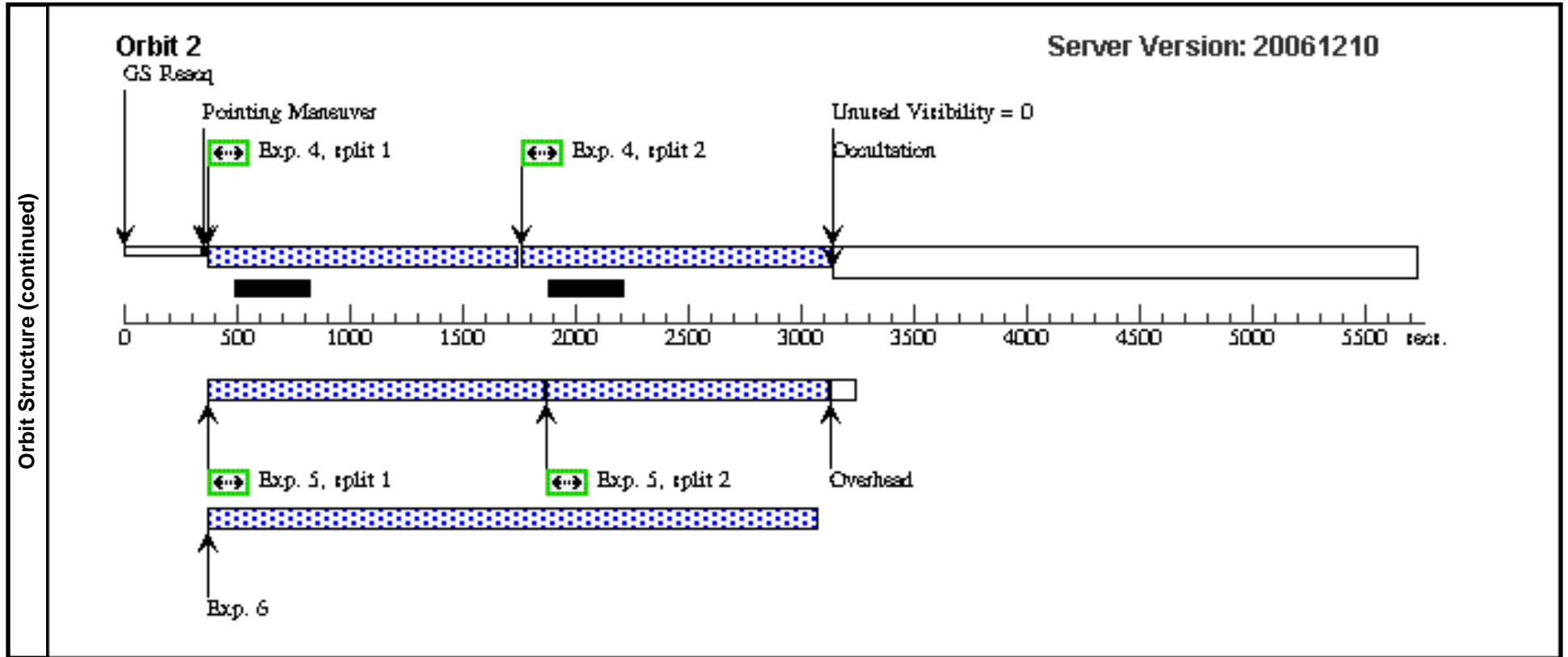
Fri Jan 19 02:15:06 GMT 2007

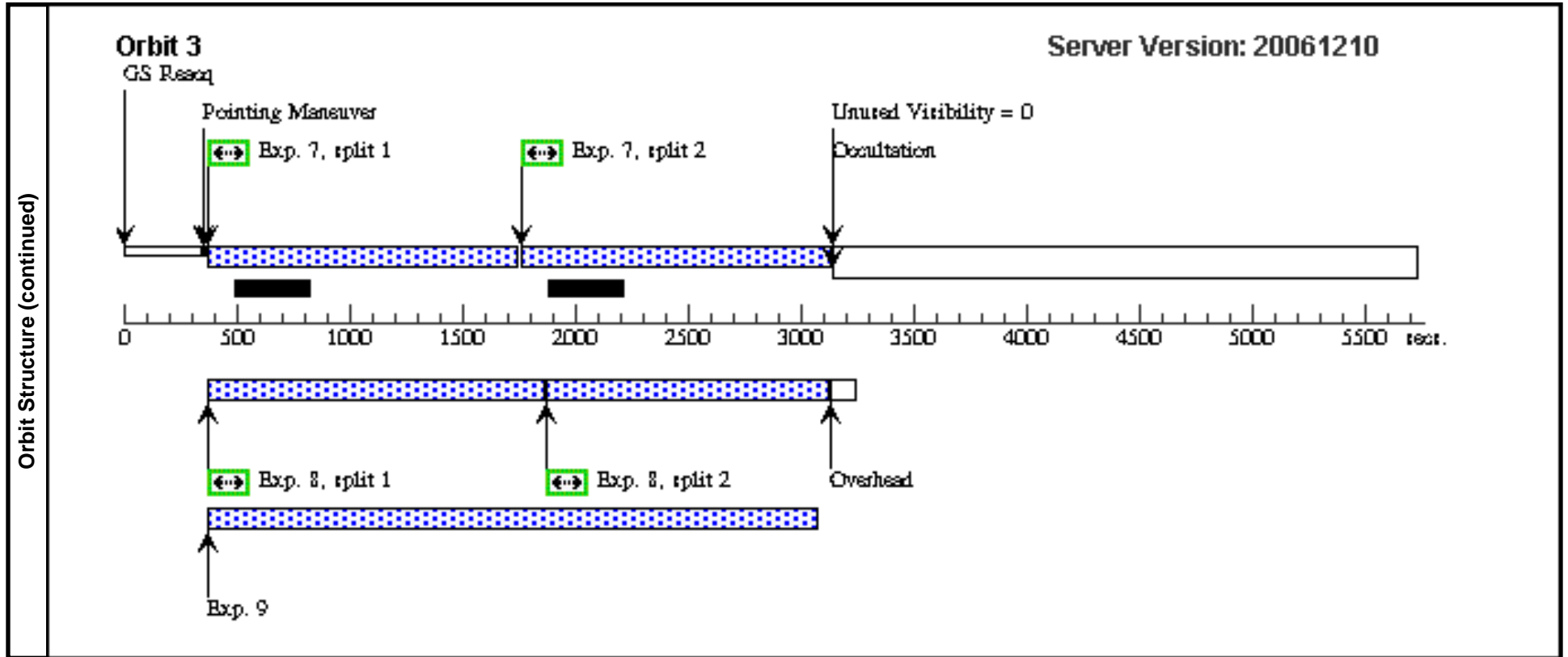
Visit	Proposal 10842, Visit A6, scheduling Diagnostic Status: No Diagnostics Scientific Instruments: ACS/WFC, WFPC2, NIC3 Special Requirements: PCS MODE FINE; SAME ORIENT AS A5; AFTER A1 BY 45.9 D TO 47.5 D									
	Fixed Targets	#	Name	Target Coordinates	Targ. Coord.	Corrections	Fluxes	Miscellaneous		
	(9)	NGC4911-PA296-B	RA: 13 00 55.5700 (195.2315417d) Dec: +27 47 24.00 (27.79000d) Equinox: J2000			V=13.0	Reference Frame: ICRS			
Exposures	#	Label	Target	Config,Mode,Aperture	Spectral Els.	Opt. Params.	Special Reqs.	Groups	Exp. Time/[Actual Dur.]	Orbit
	1		(9) NGC4911-PA296-B	ACS/WFC, ACCUM, WFC1-FIX	F606W	CR-SPLIT=2; GAIN=2	POS TARG -0.025,0 .025	Prime + Parallel Group 1-3	2400.0 Secs [==>1220.0 Secs (Split 1)] [==>1220.0 Secs (Split 2)]	[1]
	2		ANY	WFPC2, IMAGE, WFALL	F606W	CLOCKS=YES; CR-SPLIT=DEF		Prime + Parallel Group 1-3	2500.0 Secs [==>1300.0 Secs (Split 1)] [==>1200.0 Secs (Split 2)]	[1]
	3		ANY	NIC3, MULTIACCUM, NIC3-FIX	F160W	SAMP-SEQ=SPARS 128; OFFSET=SAM; NSAMP=23		Prime + Parallel Group 1-3	[==>]	[1]
	4		(9) NGC4911-PA296-B	ACS/WFC, ACCUM, WFC1-FIX	F606W	CR-SPLIT=2; GAIN=2	POS TARG 0.105,-0 .04	Prime + Parallel Group 4-6	2400.0 Secs [==>1251.0 Secs (Split 1)] [==>1251.0 Secs (Split 2)]	[2]
	5		ANY	WFPC2, IMAGE, WFALL	F606W	CLOCKS=YES; CR-SPLIT=DEF		Prime + Parallel Group 4-6	2500.0 Secs [==>1300.0 Secs (Split 1)] [==>1200.0 Secs (Split 2)]	[2]
	6		ANY	NIC3, MULTIACCUM, NIC3-FIX	F110W	SAMP-SEQ=SPARS 128; OFFSET=SAM; NSAMP=23		Prime + Parallel Group 4-6	[==>]	[2]
	7		(9) NGC4911-PA296-B	ACS/WFC, ACCUM, WFC1-FIX	F606W	CR-SPLIT=2; GAIN=2	POS TARG -0.09,-0 105	Prime + Parallel Group 7-9	2400.0 Secs [==>1251.0 Secs (Split 1)] [==>1251.0 Secs (Split 2)]	[3]
8		ANY	WFPC2, IMAGE, WFALL	F814W	CLOCKS=YES; CR-SPLIT=DEF		Prime + Parallel Group 7-9	2500.0 Secs [==>1300.0 Secs (Split 1)] [==>1200.0 Secs (Split 2)]	[3]	

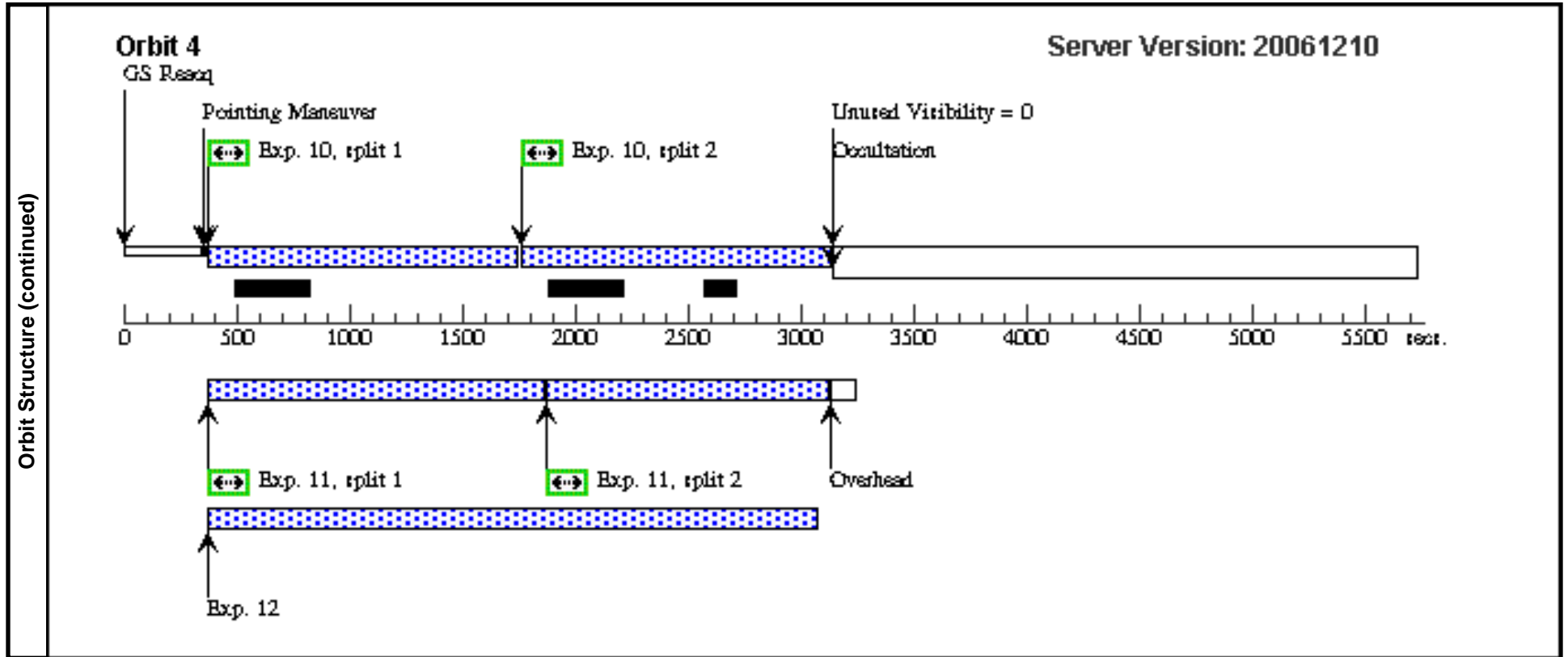
Proposal 10842 - Visit A6 - A Cepheid Distance to the Coma Cluster

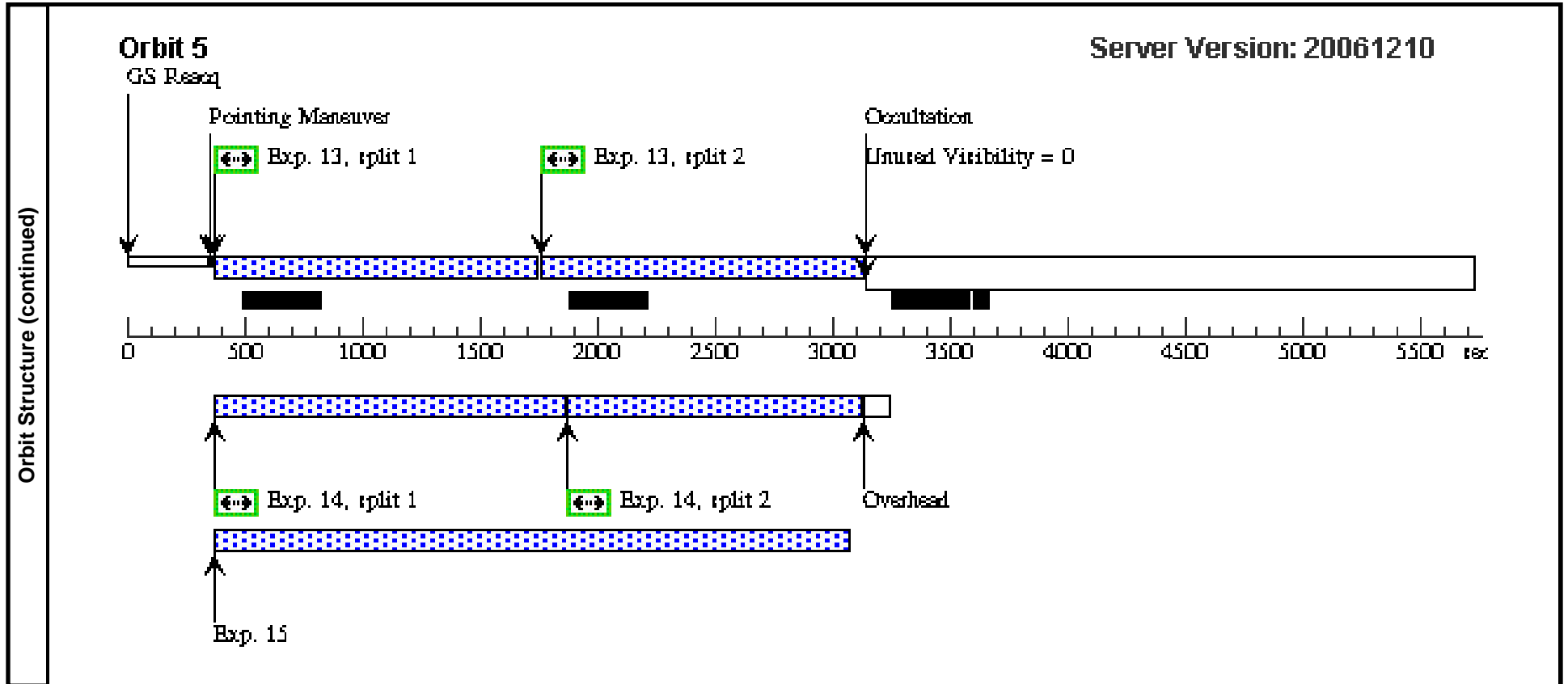
Exposures (continued)	#	Label	Target	Config,Mode,Aperture	Spectral Els.	Opt. Params.	Special Reqs.	Groups	Exp. Time/[Actual Dur.]	Orbit
	9		ANY	NIC3, MULTIACCUM, NIC3-FIX	F160W	SAMP-SEQ=SPARS 128; OFFSET=SAM; NSAMP=23		Prime + Parallel Group 7-9	[==>]	[3]
	10		(9) NGC4911-PA29 6-B	ACS/WFC, ACCUM, WFC1-FIX	F606W	CR-SPLIT=2; GAIN=2	POS TARG -0.155,0 .09	Prime + Parallel Group 10-12	2400.0 Secs [==>1251.0 Secs (Split 1)] [==>1251.0 Secs (Split 2)]	[4]
	11		ANY	WFPC2, IMAGE, WFALL	F450W	CLOCKS=YES; CR-SPLIT=DEF		Prime + Parallel Group 10-12	2500.0 Secs [==>1300.0 Secs (Split 1)] [==>1200.0 Secs (Split 2)]	[4]
	12		ANY	NIC3, MULTIACCUM, NIC3-FIX	F110W	SAMP-SEQ=SPARS 128; OFFSET=SAM; NSAMP=23		Prime + Parallel Group 10-12	[==>]	[4]
	13		(9) NGC4911-PA29 6-B	ACS/WFC, ACCUM, WFC1-FIX	F606W	CR-SPLIT=2; GAIN=2	POS TARG 0.04,0.1 55	Prime + Parallel Group 13-15	2400.0 Secs [==>1251.0 Secs (Split 1)] [==>1251.0 Secs (Split 2)]	[5]
	14		ANY	WFPC2, IMAGE, WFALL	F450W	CLOCKS=YES; CR-SPLIT=DEF		Prime + Parallel Group 13-15	2500.0 Secs [==>1300.0 Secs (Split 1)] [==>1200.0 Secs (Split 2)]	[5]
	15		ANY	NIC3, MULTIACCUM, NIC3-FIX	F160W	SAMP-SEQ=SPARS 128; OFFSET=SAM; NSAMP=23		Prime + Parallel Group 13-15	[==>]	[5]











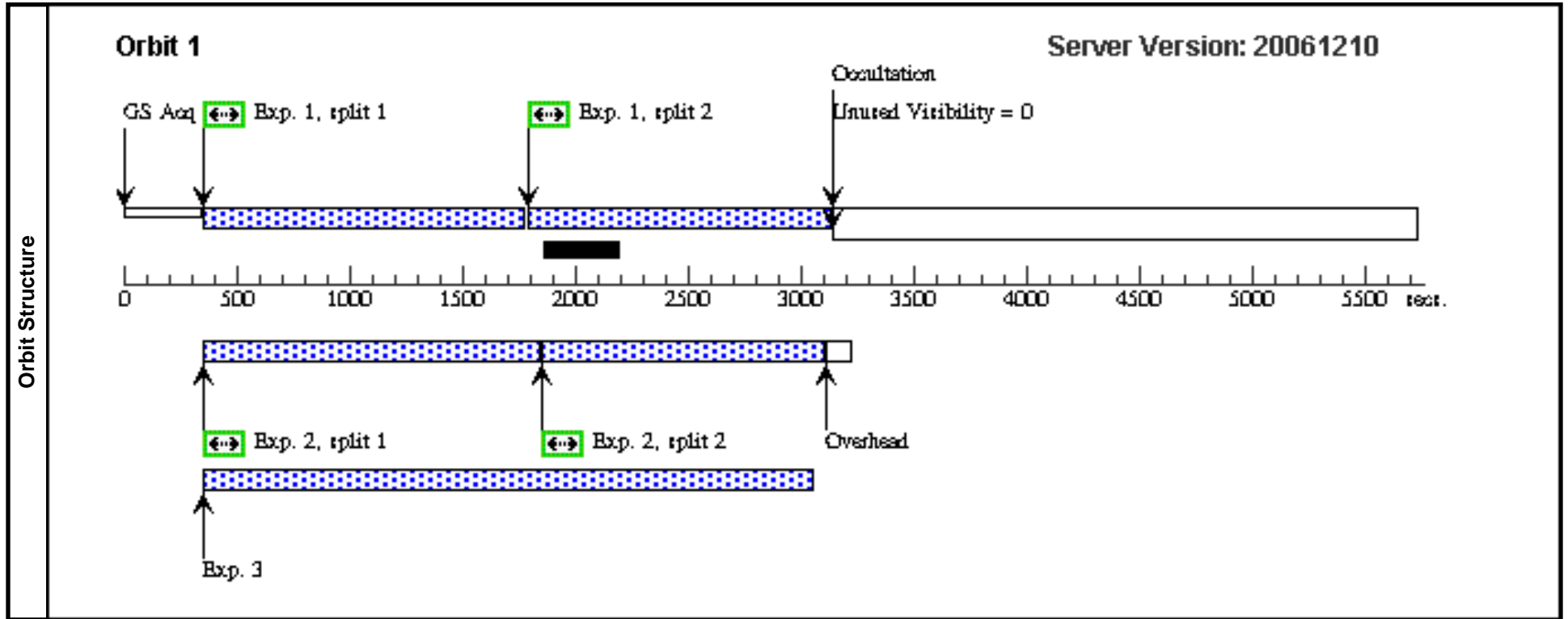
Proposal 10842 - Visit AW - A Cepheid Distance to the Coma Cluster

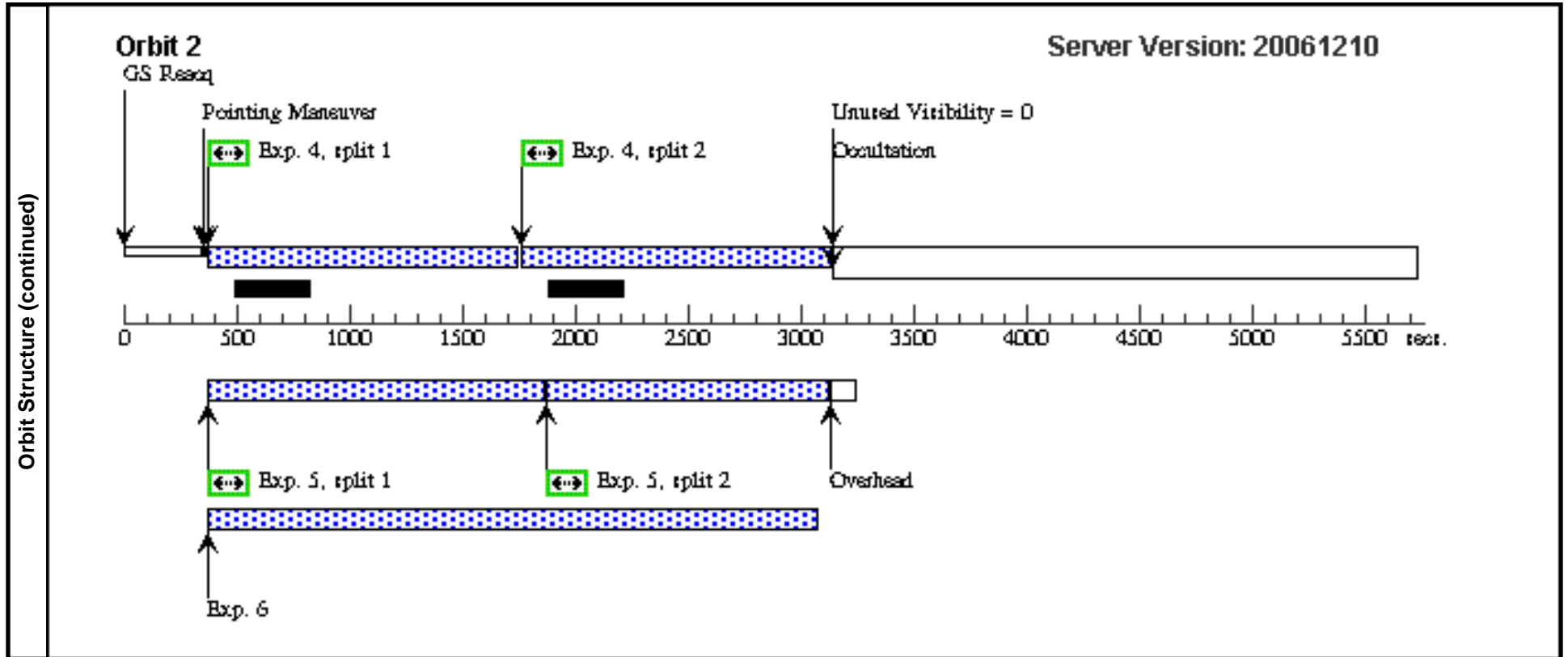
Fri Jan 19 02:15:07 GMT 2007

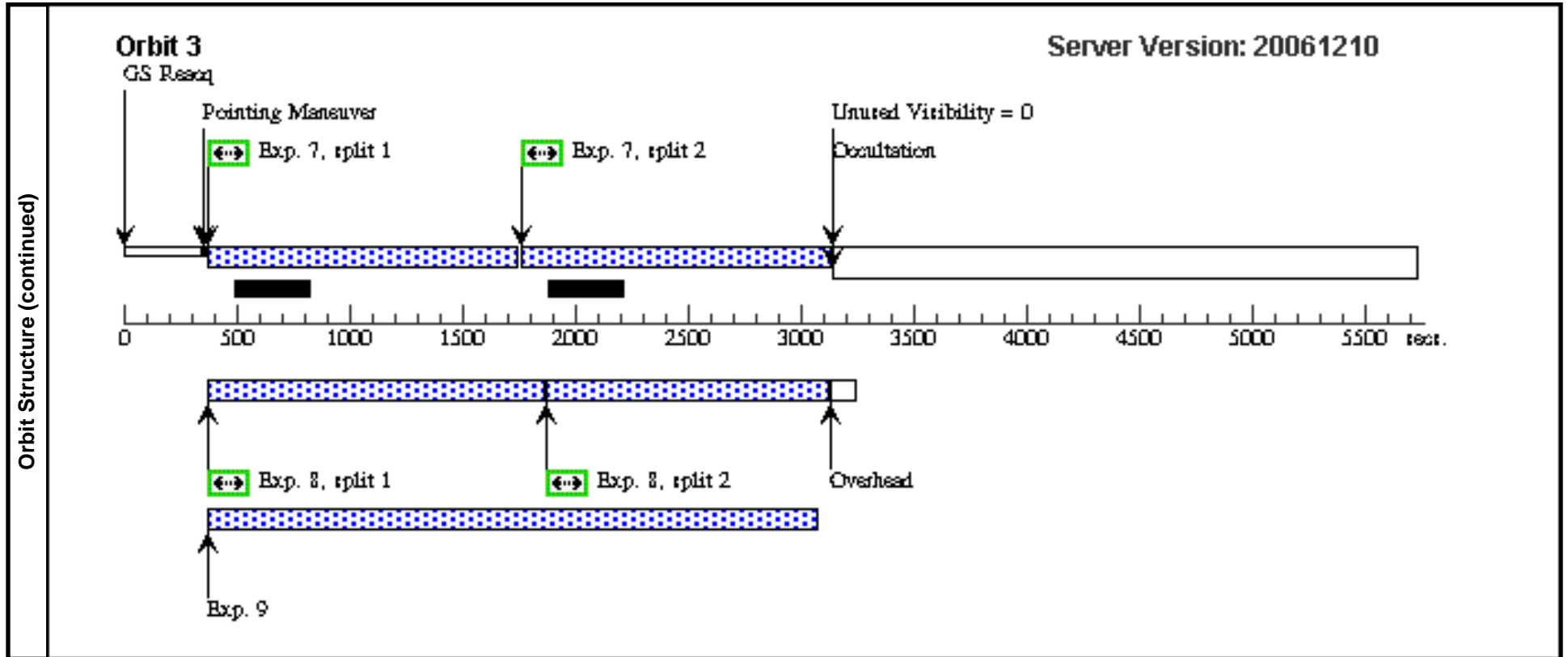
Visit	Proposal 10842, Visit AW, scheduling Diagnostic Status: No Diagnostics Scientific Instruments: ACS/WFC, WFPC2, NIC3 Special Requirements: PCS MODE FINE; SAME ORIENT AS A5; AFTER A5 BY 0 D TO 5 D									
	Fixed Targets	#	Name	Target Coordinates	Targ. Coord. Corrections	Fluxes	Miscellaneous			
	(9)	NGC4911-PA296-B	RA: 13 00 55.5700 (195.2315417d) Dec: +27 47 24.00 (27.79000d) Equinox: J2000			V=13.0	Reference Frame: ICRS			
Exposures	#	Label	Target	Config,Mode,Aperture	Spectral Els.	Opt. Params.	Special Reqs.	Groups	Exp. Time/[Actual Dur.]	Orbit
	1		(9) NGC4911-PA29 6-B	ACS/WFC, ACCUM, WFC1-FIX	F814W	CR-SPLIT=2; GAIN=2	POS TARG 0.025,0.05	Prime + Parallel Group 1-3	2400.0 Secs [==>1220.0 Secs (Split 1)] [==>1220.0 Secs (Split 2)]	[1]
	2		ANY	WFPC2, IMAGE, WFALL	F606W	CLOCKS=YES; CR-SPLIT=DEF		Prime + Parallel Group 1-3	2500.0 Secs [==>1300.0 Secs (Split 1)] [==>1200.0 Secs (Split 2)]	[1]
	3		ANY	NIC3, MULTIACCUM, NIC3-FIX	F160W	SAMP-SEQ=SPARS 128; OFFSET=SAM; NSAMP=23		Prime + Parallel Group 1-3	[==>]	[1]
	4		(9) NGC4911-PA29 6-B	ACS/WFC, ACCUM, WFC1-FIX	F814W	CR-SPLIT=2; GAIN=2	POS TARG -0.04,0.18	Prime + Parallel Group 4-6	2400.0 Secs [==>1251.0 Secs (Split 1)] [==>1251.0 Secs (Split 2)]	[2]
	5		ANY	WFPC2, IMAGE, WFALL	F606W	CLOCKS=YES; CR-SPLIT=DEF		Prime + Parallel Group 4-6	2500.0 Secs [==>1300.0 Secs (Split 1)] [==>1200.0 Secs (Split 2)]	[2]
	6		ANY	NIC3, MULTIACCUM, NIC3-FIX	F110W	SAMP-SEQ=SPARS 128; OFFSET=SAM; NSAMP=23		Prime + Parallel Group 4-6	[==>]	[2]
	7		(9) NGC4911-PA29 6-B	ACS/WFC, ACCUM, WFC1-FIX	F814W	CR-SPLIT=2; GAIN=2	POS TARG -0.105,-0.015	Prime + Parallel Group 7-9	2400.0 Secs [==>1251.0 Secs (Split 1)] [==>1251.0 Secs (Split 2)]	[3]
8		ANY	WFPC2, IMAGE, WFALL	F814W	CLOCKS=YES; CR-SPLIT=DEF		Prime + Parallel Group 7-9	2500.0 Secs [==>1300.0 Secs (Split 1)] [==>1200.0 Secs (Split 2)]	[3]	

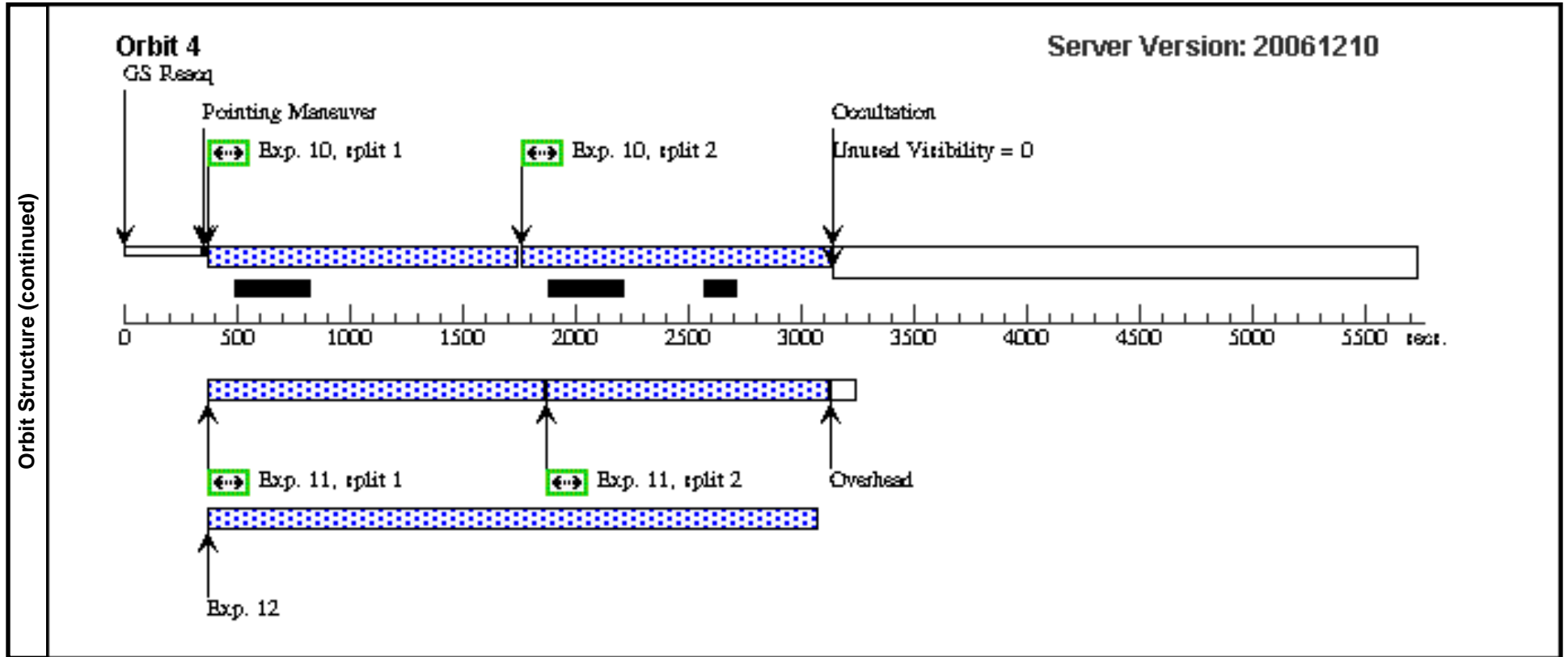
Proposal 10842 - Visit AW - A Cepheid Distance to the Coma Cluster

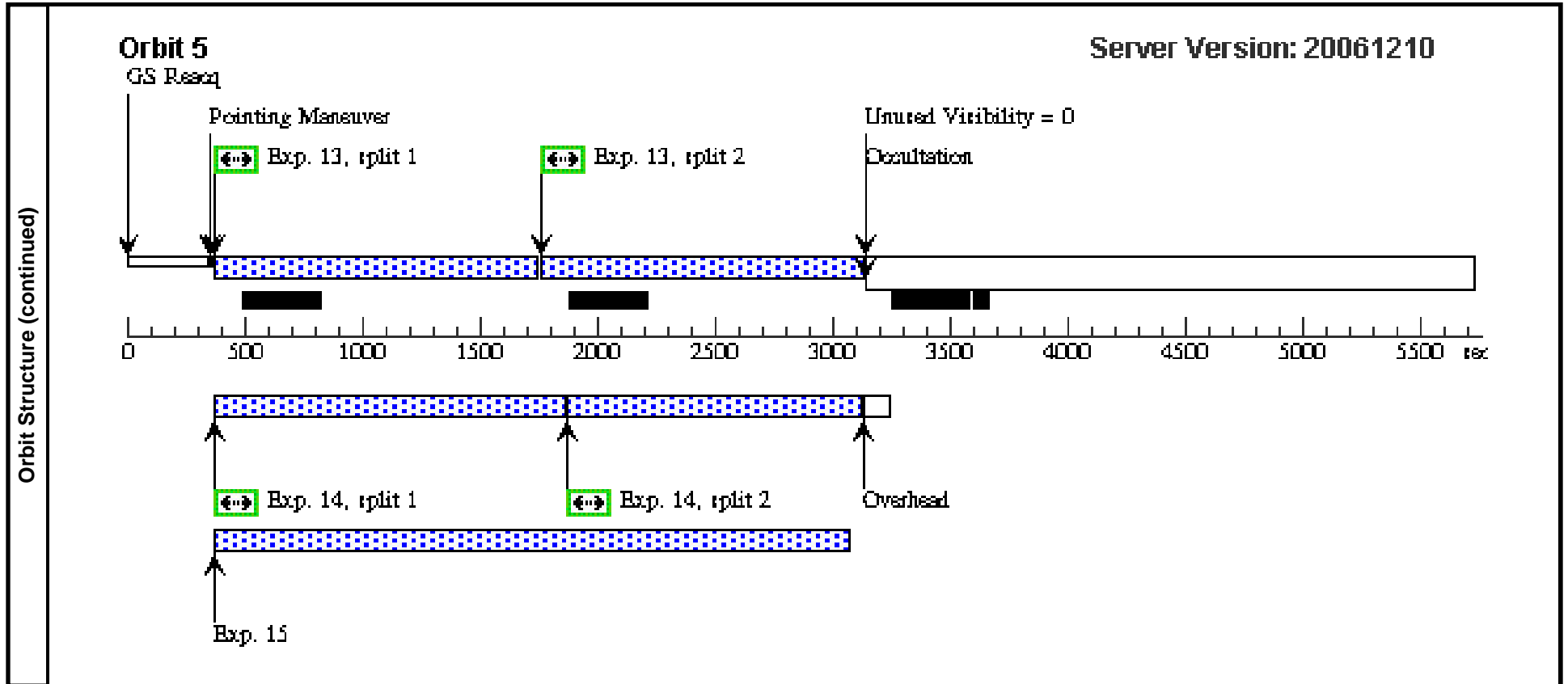
Exposures (continued)	#	Label	Target	Config,Mode,Aperture	Spectral Els.	Opt. Params.	Special Reqs.	Groups	Exp. Time/[Actual Dur.]	Orbit
	9		ANY	NIC3, MULTIACCUM, NIC3-FIX	F160W	SAMP-SEQ=SPARS 128; OFFSET=SAM; NSAMP=23		Prime + Parallel Group 7-9	[==>]	[3]
	10		(9) NGC4911-PA29 6-B	ACS/WFC, ACCUM, WFC1-FIX	F814W	CR-SPLIT=2; GAIN=2	POS TARG 0.09,-0.08	Prime + Parallel Group 10-12	2400.0 Secs [==>1251.0 Secs (Split 1)] [==>1251.0 Secs (Split 2)]	[4]
	11		ANY	WFPC2, IMAGE, WFALL	F450W	CLOCKS=YES; CR-SPLIT=DEF		Prime + Parallel Group 10-12	2500.0 Secs [==>1300.0 Secs (Split 1)] [==>1200.0 Secs (Split 2)]	[4]
	12		ANY	NIC3, MULTIACCUM, NIC3-FIX	F110W	SAMP-SEQ=SPARS 128; OFFSET=SAM; NSAMP=23		Prime + Parallel Group 10-12	[==>]	[4]
	13		(9) NGC4911-PA29 6-B	ACS/WFC, ACCUM, WFC1-FIX	F814W	CR-SPLIT=2; GAIN=2	POS TARG 0.155,0.115	Prime + Parallel Group 13-15	2400.0 Secs [==>1251.0 Secs (Split 1)] [==>1251.0 Secs (Split 2)]	[5]
	14		ANY	WFPC2, IMAGE, WFALL	F450W	CLOCKS=YES; CR-SPLIT=DEF		Prime + Parallel Group 13-15	2500.0 Secs [==>1300.0 Secs (Split 1)] [==>1200.0 Secs (Split 2)]	[5]
	15		ANY	NIC3, MULTIACCUM, NIC3-FIX	F160W	SAMP-SEQ=SPARS 128; OFFSET=SAM; NSAMP=23		Prime + Parallel Group 13-15	[==>]	[5]











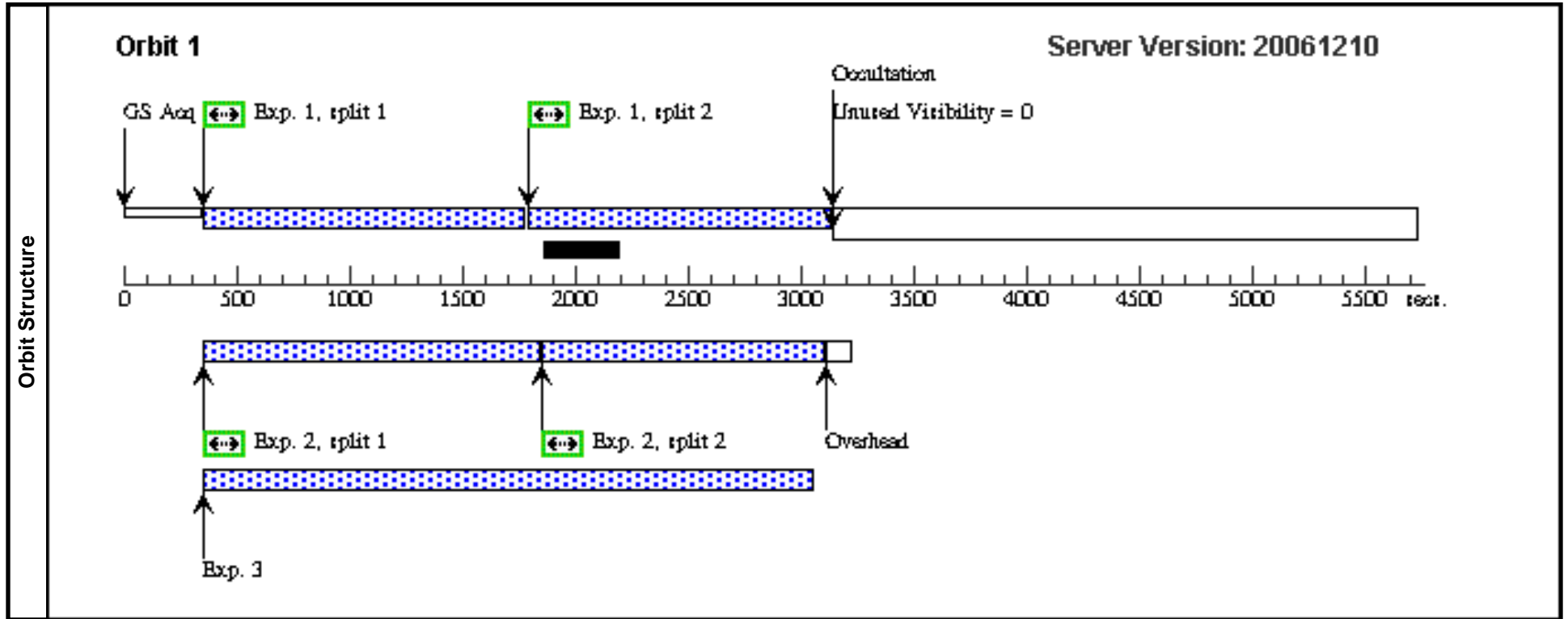
Proposal 10842 - Visit AX - A Cepheid Distance to the Coma Cluster

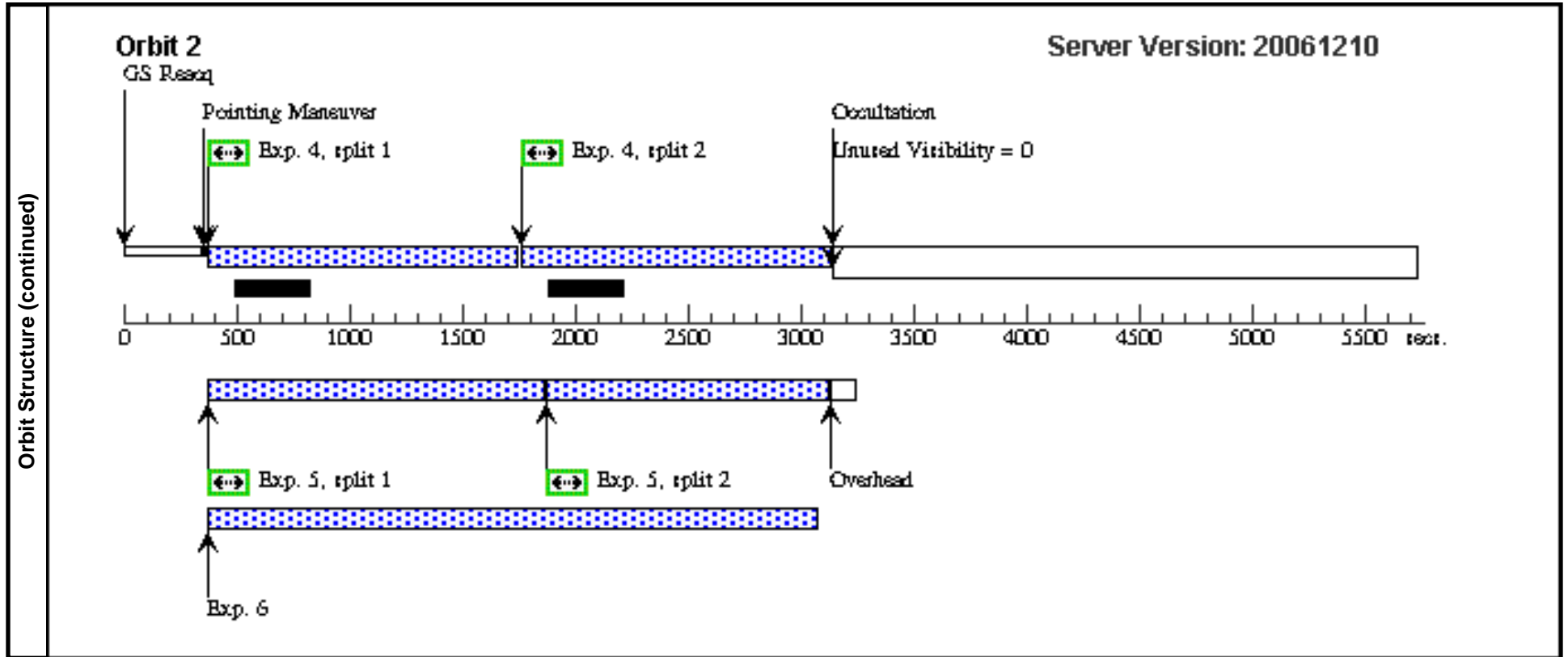
Fri Jan 19 02:15:08 GMT 2007

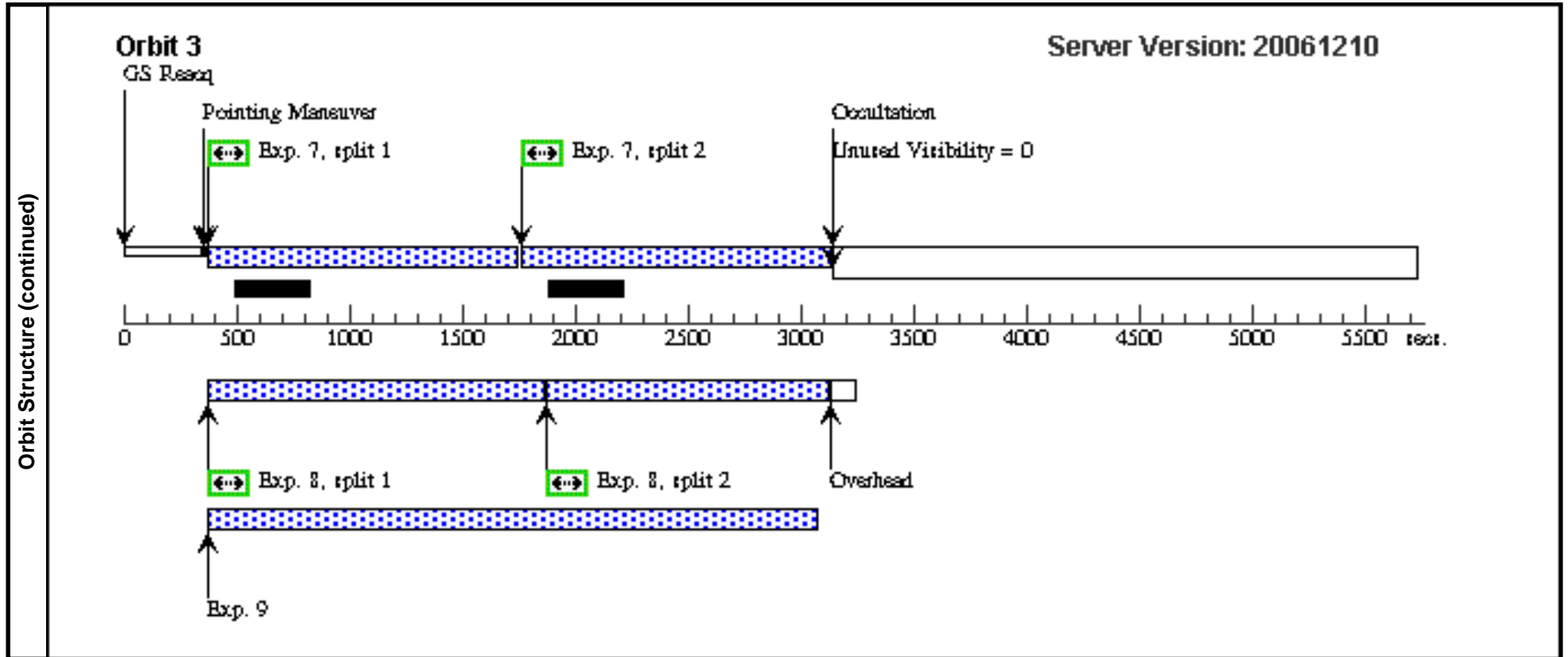
Visit	Proposal 10842, Visit AX, scheduling Diagnostic Status: No Diagnostics Scientific Instruments: ACS/WFC, WFPC2, NIC3 Special Requirements: PCS MODE FINE; SAME ORIENT AS A5; AFTER AW BY 5 D TO 10 D									
	Fixed Targets	#	Name	Target Coordinates	Targ. Coord. Corrections	Fluxes	Miscellaneous			
	(9)	NGC4911-PA296-B	RA: 13 00 55.5700 (195.2315417d) Dec: +27 47 24.00 (27.79000d) Equinox: J2000			V=13.0	Reference Frame: ICRS			
Exposures	#	Label	Target	Config,Mode,Aperture	Spectral Els.	Opt. Params.	Special Reqs.	Groups	Exp. Time/[Actual Dur.]	Orbit
	1		(9) NGC4911-PA296-B	ACS/WFC, ACCUM, WFC1-FIX	F814W	CR-SPLIT=2; GAIN=2	POS TARG -0.05,-0.025	Prime + Parallel Group 1-3	2400.0 Secs [==>1220.0 Secs (Split 1)] [==>1220.0 Secs (Split 2)]	[1]
	2		ANY	WFPC2, IMAGE, WFALL	F606W	CLOCKS=YES; CR-SPLIT=DEF		Prime + Parallel Group 1-3	2500.0 Secs [==>1300.0 Secs (Split 1)] [==>1200.0 Secs (Split 2)]	[1]
	3		ANY	NIC3, MULTIACCUM, NIC3-FIX	F160W	SAMP-SEQ=SPARS 128; OFFSET=SAM; NSAMP=23		Prime + Parallel Group 1-3	[==>]	[1]
	4		(9) NGC4911-PA296-B	ACS/WFC, ACCUM, WFC1-FIX	F814W	CR-SPLIT=2; GAIN=2	POS TARG -0.115,0.105	Prime + Parallel Group 4-6	2400.0 Secs [==>1251.0 Secs (Split 1)] [==>1251.0 Secs (Split 2)]	[2]
	5		ANY	WFPC2, IMAGE, WFALL	F814W	CLOCKS=YES; CR-SPLIT=DEF		Prime + Parallel Group 4-6	2500.0 Secs [==>1300.0 Secs (Split 1)] [==>1200.0 Secs (Split 2)]	[2]
	6		ANY	NIC3, MULTIACCUM, NIC3-FIX	F110W	SAMP-SEQ=SPARS 128; OFFSET=SAM; NSAMP=23		Prime + Parallel Group 4-6	[==>]	[2]
	7		(9) NGC4911-PA296-B	ACS/WFC, ACCUM, WFC1-FIX	F814W	CR-SPLIT=2; GAIN=2	POS TARG -0.18,-0.09	Prime + Parallel Group 7-9	2400.0 Secs [==>1251.0 Secs (Split 1)] [==>1251.0 Secs (Split 2)]	[3]
8		ANY	WFPC2, IMAGE, WFALL	F814W	CLOCKS=YES; CR-SPLIT=DEF		Prime + Parallel Group 7-9	2500.0 Secs [==>1300.0 Secs (Split 1)] [==>1200.0 Secs (Split 2)]	[3]	

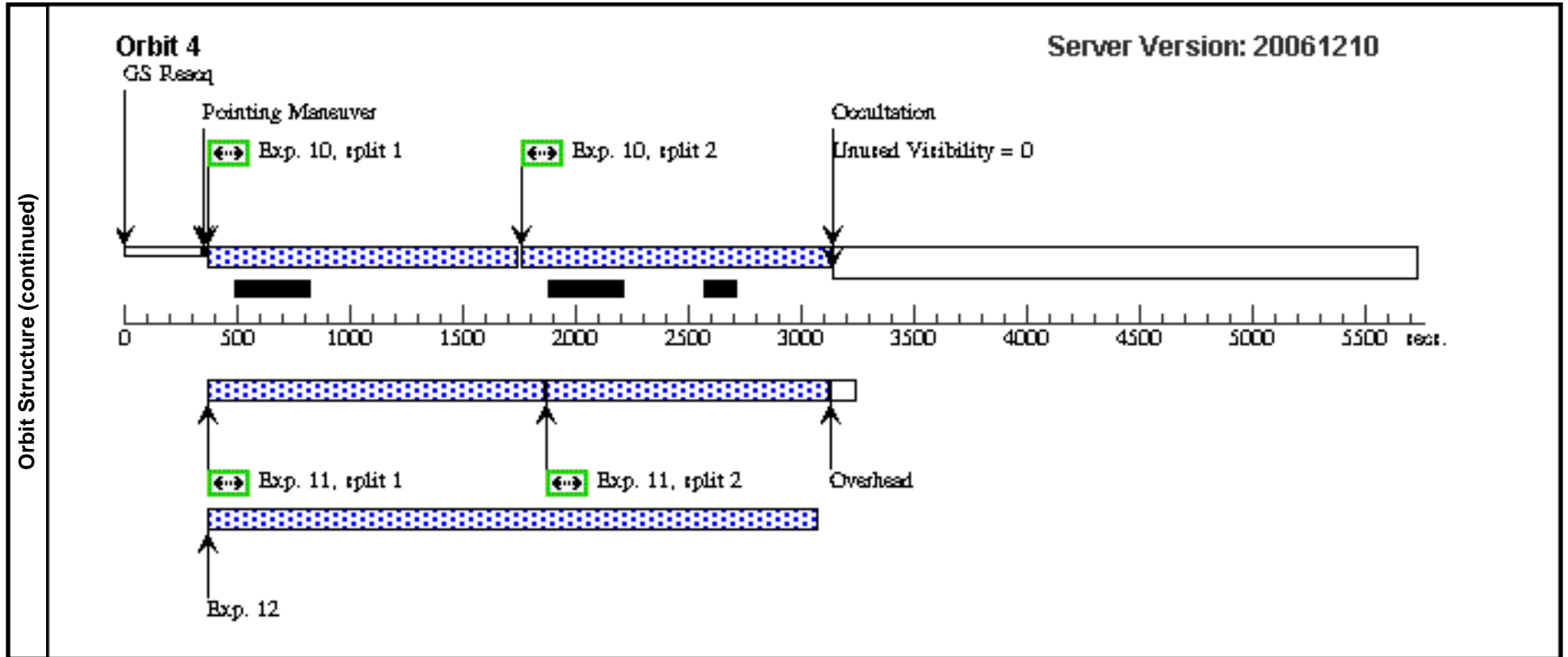
Proposal 10842 - Visit AX - A Cepheid Distance to the Coma Cluster

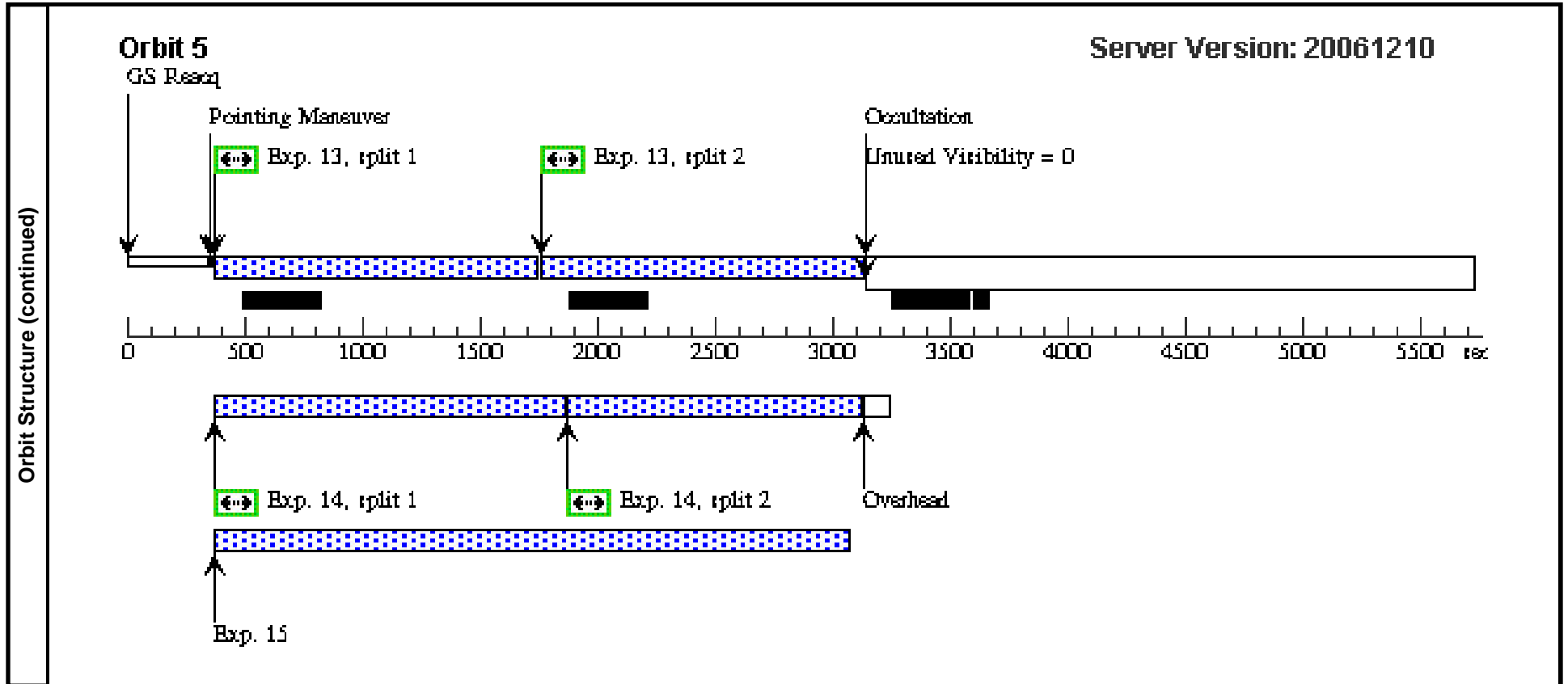
Exposures (continued)	#	Label	Target	Config,Mode,Aperture	Spectral Els.	Opt. Params.	Special Reqs.	Groups	Exp. Time/[Actual Dur.]	Orbit
	9		ANY	NIC3, MULTIACCUM, NIC3-FIX	F160W	SAMP-SEQ=SPARS 128; OFFSET=SAM; NSAMP=23		Prime + Parallel Group 7-9	[==>]	[3]
	10		(9) NGC4911-PA29 6-B	ACS/WFC, ACCUM, WFC1-FIX	F814W	CR-SPLIT=2; GAIN=2	POS TARG 0.015,-0 .155	Prime + Parallel Group 10-12	2400.0 Secs [==>1251.0 Secs (Split 1)] [==>1251.0 Secs (Split 2)]	[4]
	11		ANY	WFPC2, IMAGE, WFALL	F450W	CLOCKS=YES; CR-SPLIT=DEF		Prime + Parallel Group 10-12	2500.0 Secs [==>1300.0 Secs (Split 1)] [==>1200.0 Secs (Split 2)]	[4]
	12		ANY	NIC3, MULTIACCUM, NIC3-FIX	F110W	SAMP-SEQ=SPARS 128; OFFSET=SAM; NSAMP=23		Prime + Parallel Group 10-12	[==>]	[4]
	13		(9) NGC4911-PA29 6-B	ACS/WFC, ACCUM, WFC1-FIX	F814W	CR-SPLIT=2; GAIN=2	POS TARG 0.08,0.0 4	Prime + Parallel Group 13-15	2400.0 Secs [==>1251.0 Secs (Split 1)] [==>1251.0 Secs (Split 2)]	[5]
	14		ANY	WFPC2, IMAGE, WFALL	F450W	CLOCKS=YES; CR-SPLIT=DEF		Prime + Parallel Group 13-15	2500.0 Secs [==>1300.0 Secs (Split 1)] [==>1200.0 Secs (Split 2)]	[5]
	15		ANY	NIC3, MULTIACCUM, NIC3-FIX	F110W	SAMP-SEQ=SPARS 128; OFFSET=SAM; NSAMP=23		Prime + Parallel Group 13-15	[==>]	[5]











Proposal 10842 - Visit A7 - A Cepheid Distance to the Coma Cluster

Fri Jan 19 02:15:10 GMT 2007

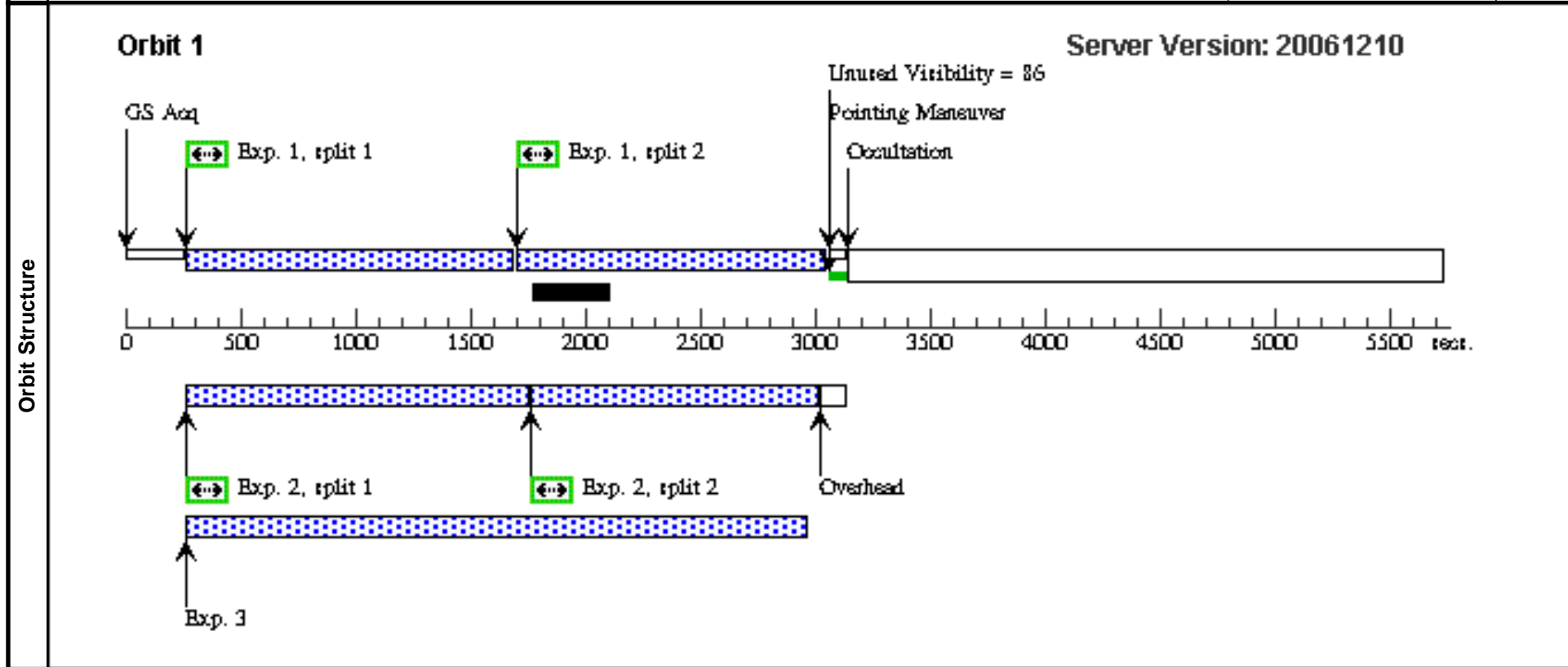
Visit		Proposal 10842, Visit A7, implementation Diagnostic Status: No Diagnostics Scientific Instruments: ACS/WFC, WFPC2, NIC3 Special Requirements: PCS MODE FINE; ORIENT 248.5D TO 248.5 D; AFTER A1 BY 60 D TO 61.5 D									
Fixed Targets	#	Name	Target Coordinates	Targ. Coord.	Corrections	Fluxes	Miscellaneous				
		(4)	NGC4911-PA266	RA: 13 00 56.1650 (195.2340208d) Dec: +27 46 48.00 (27.78000d) Equinox: J2000			V=13.0	Reference Frame: ICRS			
Exposures	#	Label	Target	Config,Mode,Aperture	Spectral Els.	Opt. Params.	Special Reqs.	Groups	Exp. Time/[Actual Dur.]	Orbit	
	1		(4) NGC4911-PA26 6	ACS/WFC, ACCUM, WFC1-FIX	F606W	CR-SPLIT=2; GAIN=2	POS TARG 0.025,0.05; GSPAIR N59N0002 12F1000000000F0; GS ACQ SCENARI O SINGLE	Prime + Parallel Group 1-3	2400.0 Secs [==>1220.0 Secs (Split 1)] [==>1220.0 Secs (Split 2)]	[1]	
	2		ANY	WFPC2, IMAGE, WFALL	F606W	CLOCKS=YES; CR-SPLIT=DEF		Prime + Parallel Group 1-3	2400.0 Secs [==>1300.0 Secs (Split 1)] [==>1200.0 Secs (Split 2)]	[1]	
	3		ANY	NIC3, MULTIACCUM, NIC3-FIX	F160W	SAMP-SEQ=SPARS 128; OFFSET=SAM; NSAMP=23		Prime + Parallel Group 1-3	[==>]	[1]	
	4		(4) NGC4911-PA26 6	ACS/WFC, ACCUM, WFC1-FIX	F606W	CR-SPLIT=2; GAIN=2	POS TARG -0.04,0.18; NEW OBSET FULL ACQ; GSPAIR N59N0002 12F1000000000F0; GS ACQ SCENARI O SINGLE	Prime + Parallel Group 4-6	2400.0 Secs [==>1251.0 Secs (Split 1)] [==>1251.0 Secs (Split 2)]	[2]	
	5		ANY	WFPC2, IMAGE, WFALL	F814W	CLOCKS=YES; CR-SPLIT=DEF		Prime + Parallel Group 4-6	2400.0 Secs [==>1300.0 Secs (Split 1)] [==>1200.0 Secs (Split 2)]	[2]	
6		ANY	NIC3, MULTIACCUM, NIC3-FIX	F110W	SAMP-SEQ=SPARS 128; OFFSET=SAM; NSAMP=23		Prime + Parallel Group 4-6	[==>]	[2]		

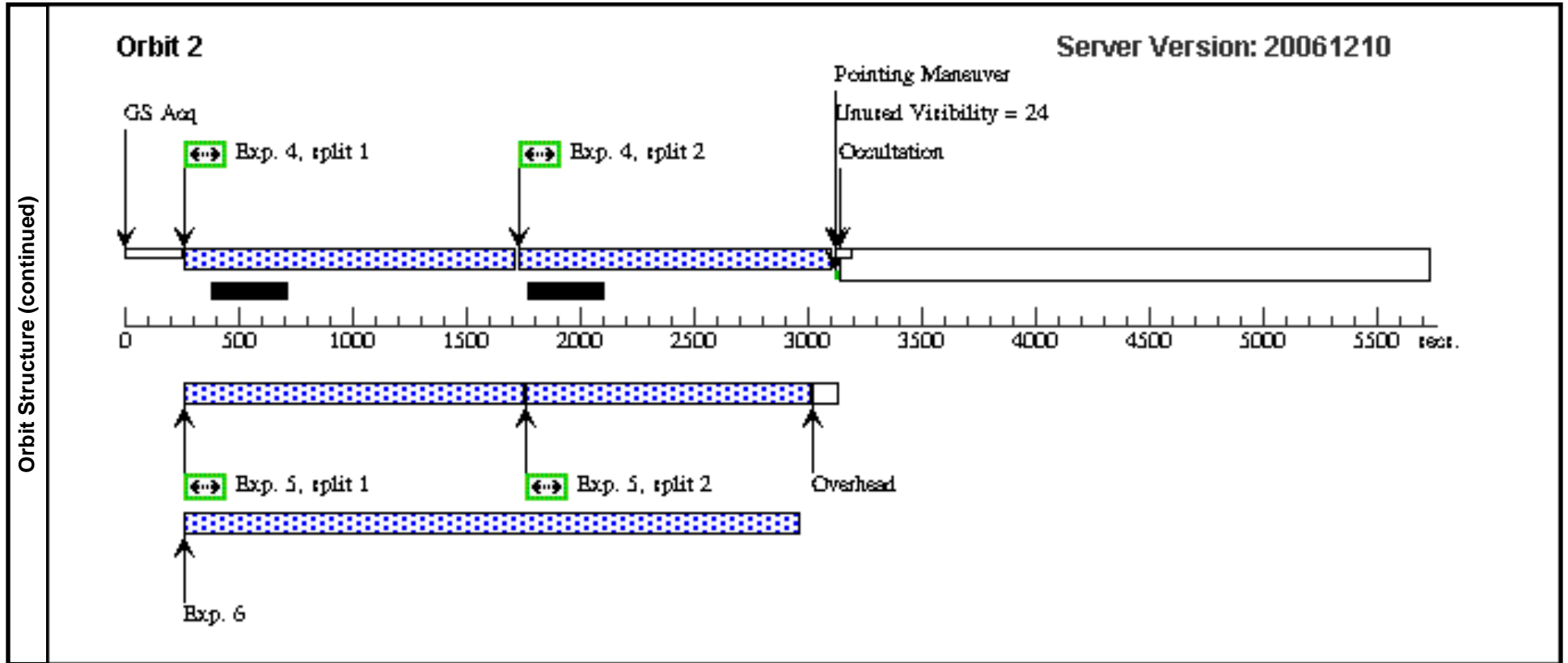
Proposal 10842 - Visit A7 - A Cepheid Distance to the Coma Cluster

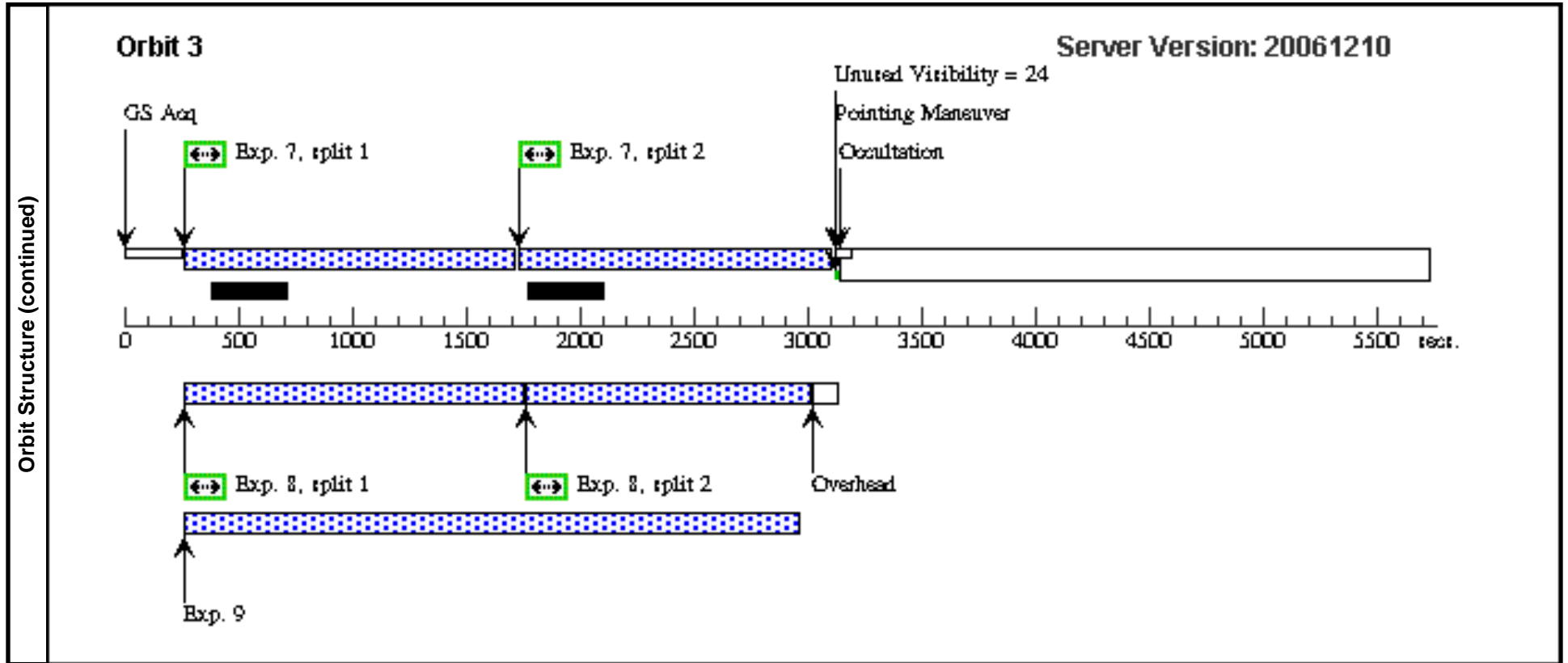
#	Label	Target	Config,Mode,Aperture	Spectral Els.	Opt. Params.	Special Reqs.	Groups	Exp. Time/[Actual Dur.]	Orbit
Exposures (continued)	7	(4) NGC4911-PA26 6	ACS/WFC, ACCUM, WFC1-FIX	F606W	CR-SPLIT=2; GAIN=2	POS TARG -0.105,- 0.015; NEW OBSET FULL ACQ; GSPAIR N59N0002 12F1000000000F0; GS ACQ SCENARI O SINGLE	Prime + Parallel Gro up 7-9	2400.0 Secs [==>1251.0 Secs (Split 1)] [==>1251.0 Secs (Split 2)]	[3]
	8	ANY	WFPC2, IMAGE, WFALL	F814W	CLOCKS=YES; CR-SPLIT=DEF		Prime + Parallel Gro up 7-9	2400.0 Secs [==>1300.0 Secs (Split 1)] [==>1200.0 Secs (Split 2)]	[3]
	9	ANY	NIC3, MULTIACCUM, NIC3-FIX	F160W	SAMP-SEQ=SPARS 128; OFFSET=SAM; NSAMP=23		Prime + Parallel Gro up 7-9	[==>]	[3]
	10	(4) NGC4911-PA26 6	ACS/WFC, ACCUM, WFC1-FIX	F606W	CR-SPLIT=2; GAIN=2	POS TARG 0.09,-0. 08; NEW OBSET FULL ACQ; GSPAIR N59N0002 12F1000000000F0; GS ACQ SCENARI O SINGLE	Prime + Parallel Gro up 10-12	2400.0 Secs [==>1251.0 Secs (Split 1)] [==>1251.0 Secs (Split 2)]	[4]
	11	ANY	WFPC2, IMAGE, WFALL	F450W	CLOCKS=YES; CR-SPLIT=DEF		Prime + Parallel Gro up 10-12	2400.0 Secs [==>1300.0 Secs (Split 1)] [==>1200.0 Secs (Split 2)]	[4]
	12	ANY	NIC3, MULTIACCUM, NIC3-FIX	F110W	SAMP-SEQ=SPARS 128; OFFSET=SAM; NSAMP=23		Prime + Parallel Gro up 10-12	[==>]	[4]
	13	(4) NGC4911-PA26 6	ACS/WFC, ACCUM, WFC1-FIX	F606W	CR-SPLIT=2; GAIN=2	POS TARG 0.155,0. 115; NEW OBSET FULL ACQ; GSPAIR N59N0002 12F1000000000F0; GS ACQ SCENARI O SINGLE	Prime + Parallel Gro up 13-15	2400.0 Secs [==>1251.0 Secs (Split 1)] [==>1251.0 Secs (Split 2)]	[5]
	14	ANY	WFPC2, IMAGE, WFALL	F450W	CLOCKS=YES; CR-SPLIT=DEF		Prime + Parallel Gro up 13-15	2400.0 Secs [==>1300.0 Secs (Split 1)] [==>1200.0 Secs (Split 2)]	[5]

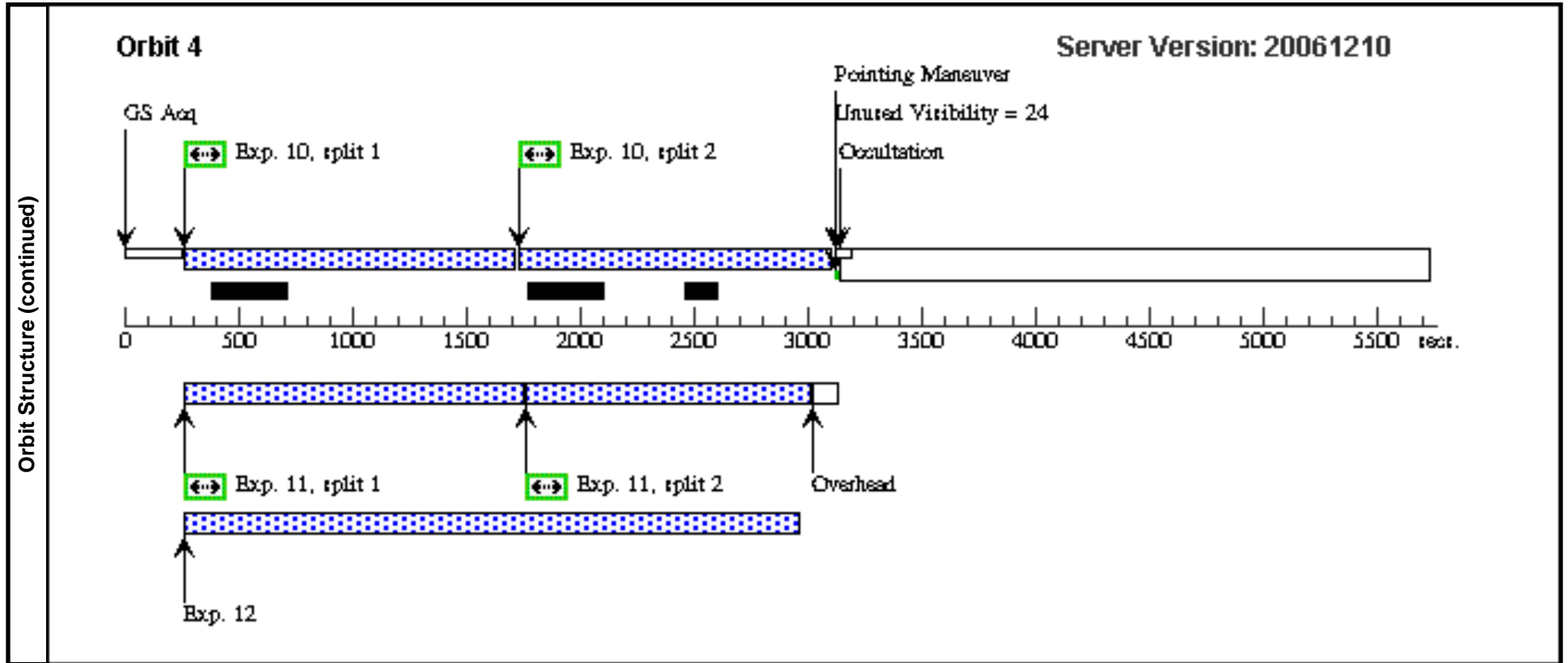
Proposal 10842 - Visit A7 - A Cepheid Distance to the Coma Cluster

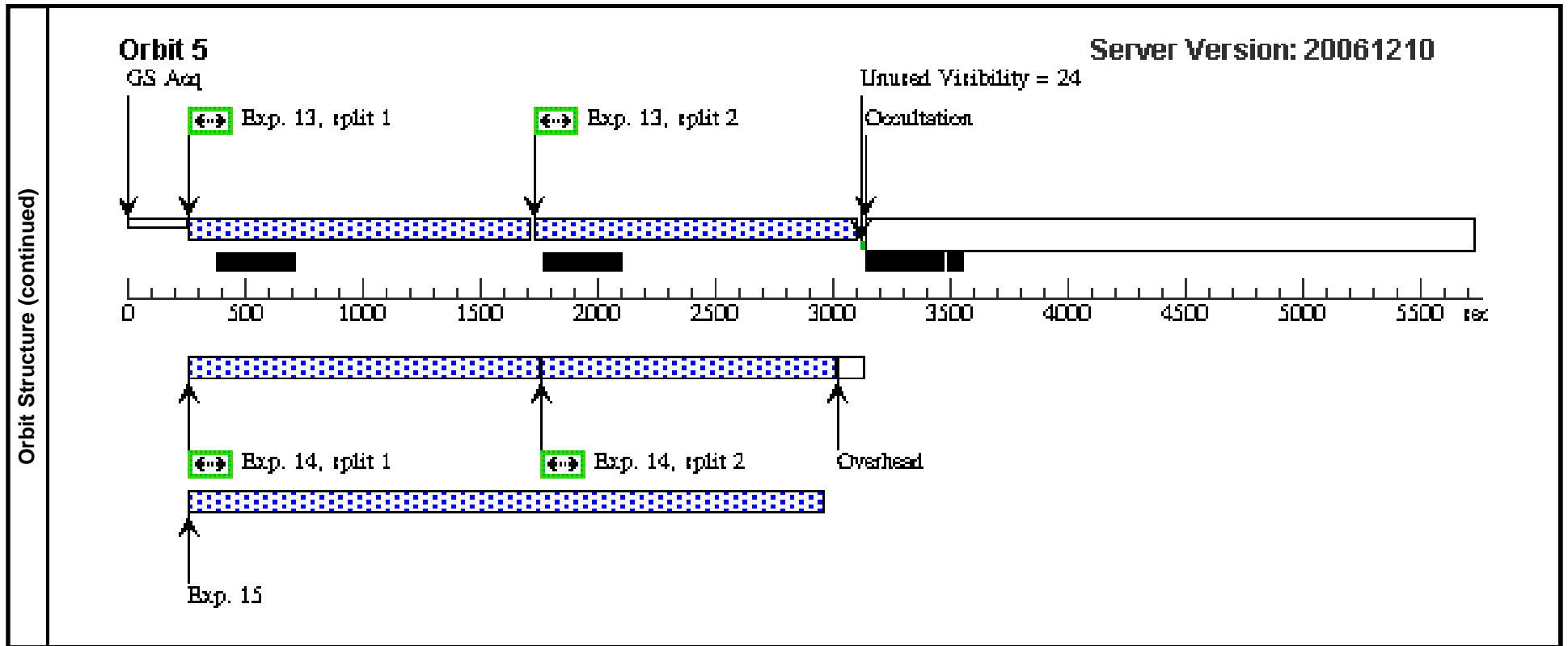
Exposures (continued)	#	Label	Target	Config, Mode, Aperture	Spectral Els.	Opt. Params.	Special Reqs.	Groups	Exp. Time/[Actual Dur.]	Orbit
	15	ANY	NIC3, MULTIACCUM, NIC3-FIX	F110W	SAMP-SEQ=SPARS 128; OFFSET=SAM; NSAMP=23	Prime + Parallel Group up 13-15	[==>]	[5]		











Proposal 10842 - Visit A8 - A Cepheid Distance to the Coma Cluster

Fri Jan 19 02:15:11 GMT 2007

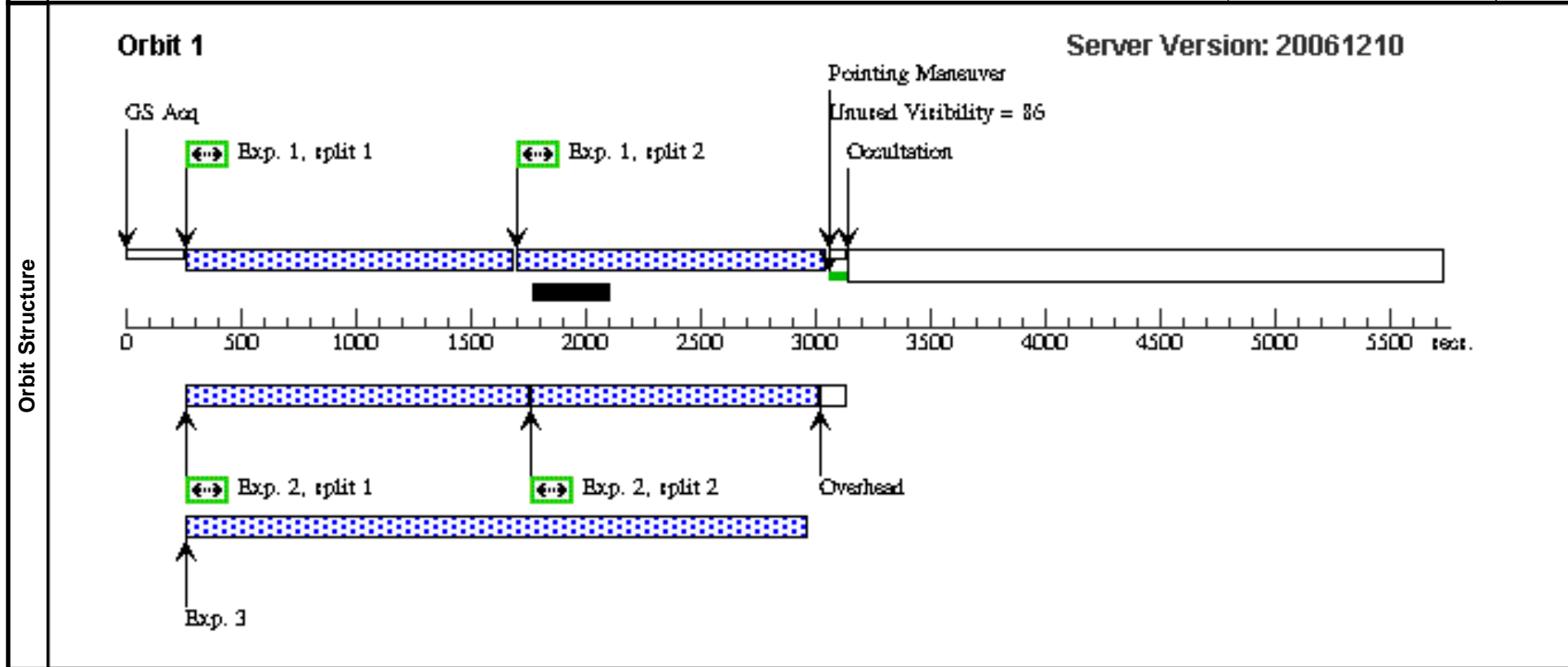
Visit		Proposal 10842, Visit A8, implementation Diagnostic Status: No Diagnostics Scientific Instruments: ACS/WFC, WFPC2, NIC3 Special Requirements: PCS MODE FINE; SAME ORIENT AS A7; AFTER A1 BY 68.05 D TO 69.05 D									
Fixed Targets	#	Name	Target Coordinates	Targ. Coord.	Corrections	Fluxes	Miscellaneous				
		(4)	NGC4911-PA266	RA: 13 00 56.1650 (195.2340208d) Dec: +27 46 48.00 (27.78000d) Equinox: J2000			V=13.0	Reference Frame: ICRS			
Exposures	#	Label	Target	Config,Mode,Aperture	Spectral Els.	Opt. Params.	Special Reqs.	Groups	Exp. Time/[Actual Dur.]	Orbit	
	1		(4) NGC4911-PA26 6	ACS/WFC, ACCUM, WFC1-FIX	F606W	CR-SPLIT=2; GAIN=2	POS TARG -0.05,-0.025; GSPAIR N59N0002 12F1000000000F0; GS ACQ SCENARI O SINGLE	Prime + Parallel Group 1-3	2400.0 Secs [==>1220.0 Secs (Split 1)] [==>1220.0 Secs (Split 2)]	[1]	
	2		ANY	WFPC2, IMAGE, WFALL	F606W	CLOCKS=YES; CR-SPLIT=DEF		Prime + Parallel Group 1-3	2400.0 Secs [==>1300.0 Secs (Split 1)] [==>1200.0 Secs (Split 2)]	[1]	
	3		ANY	NIC3, MULTIACCUM, NIC3-FIX	F160W	SAMP-SEQ=SPARS 128; OFFSET=SAM; NSAMP=23		Prime + Parallel Group 1-3	[==>]	[1]	
	4		(4) NGC4911-PA26 6	ACS/WFC, ACCUM, WFC1-FIX	F606W	CR-SPLIT=2; GAIN=2	POS TARG -0.115,0.105; NEW OBSET FULL ACQ; GSPAIR N59N0002 12F1000000000F0; GS ACQ SCENARI O SINGLE	Prime + Parallel Group 4-6	2400.0 Secs [==>1251.0 Secs (Split 1)] [==>1251.0 Secs (Split 2)]	[2]	
	5		ANY	WFPC2, IMAGE, WFALL	F814W	CLOCKS=YES; CR-SPLIT=DEF		Prime + Parallel Group 4-6	2400.0 Secs [==>1300.0 Secs (Split 1)] [==>1200.0 Secs (Split 2)]	[2]	
6		ANY	NIC3, MULTIACCUM, NIC3-FIX	F110W	SAMP-SEQ=SPARS 128; OFFSET=SAM; NSAMP=23		Prime + Parallel Group 4-6	[==>]	[2]		

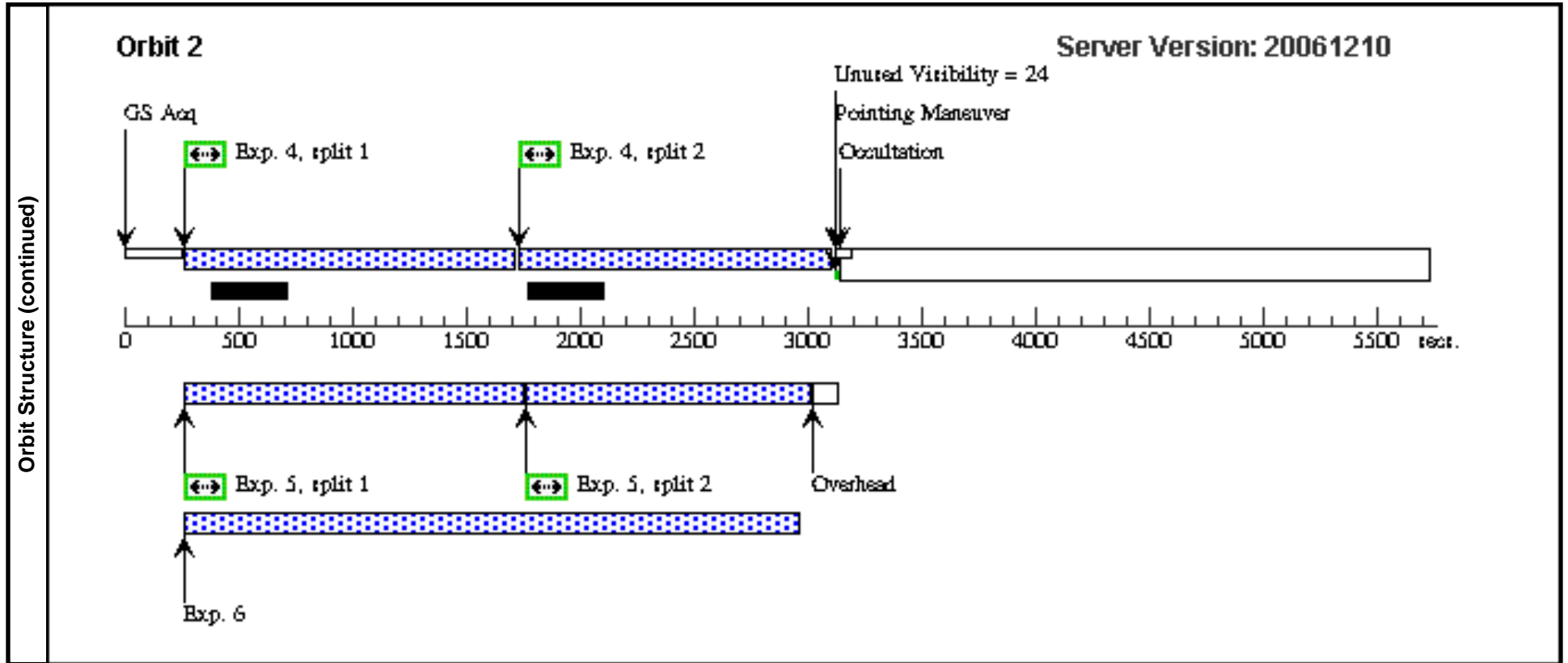
Proposal 10842 - Visit A8 - A Cepheid Distance to the Coma Cluster

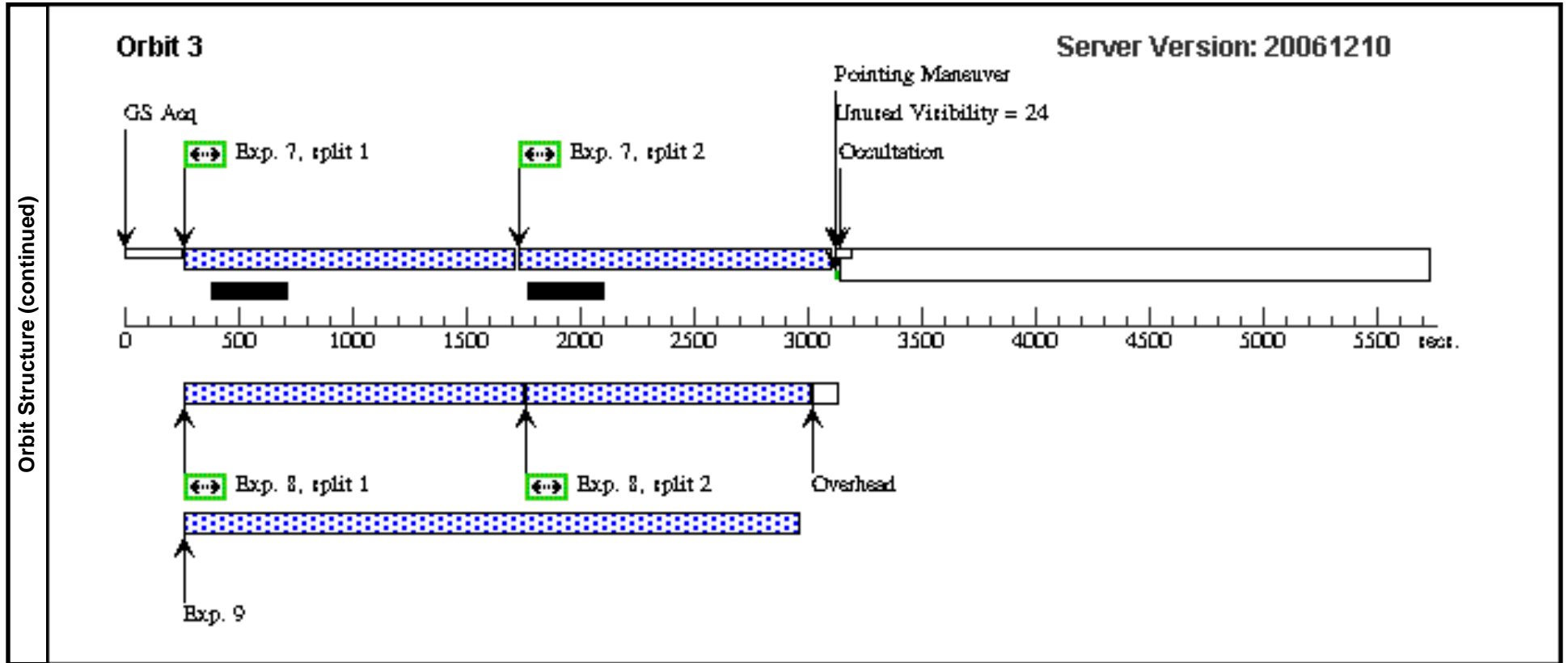
#	Label	Target	Config,Mode,Aperture	Spectral Els.	Opt. Params.	Special Reqs.	Groups	Exp. Time/[Actual Dur.]	Orbit
Exposures (continued)	7	(4) NGC4911-PA26 6	ACS/WFC, ACCUM, WFC1-FIX	F606W	CR-SPLIT=2; GAIN=2	POS TARG -0.18,-0.09; NEW OBSET FULL ACQ; GSPAIR N59N0002 12F1000000000F0; GS ACQ SCENARIO SINGLE	Prime + Parallel Group 7-9	2400.0 Secs [==>1251.0 Secs (Split 1)] [==>1251.0 Secs (Split 2)]	[3]
	8	ANY	WFPC2, IMAGE, WFALL	F814W	CLOCKS=YES; CR-SPLIT=DEF		Prime + Parallel Group 7-9	2400.0 Secs [==>1300.0 Secs (Split 1)] [==>1200.0 Secs (Split 2)]	[3]
	9	ANY	NIC3, MULTIACCUM, NIC3-FIX	F160W	SAMP-SEQ=SPARS 128; OFFSET=SAM; NSAMP=23		Prime + Parallel Group 7-9	[==>]	[3]
	10	(4) NGC4911-PA26 6	ACS/WFC, ACCUM, WFC1-FIX	F606W	CR-SPLIT=2; GAIN=2	POS TARG 0.015,-0.155; NEW OBSET FULL ACQ; GSPAIR N59N0002 12F1000000000F0; GS ACQ SCENARIO SINGLE	Prime + Parallel Group 10-12	2400.0 Secs [==>1251.0 Secs (Split 1)] [==>1251.0 Secs (Split 2)]	[4]
	11	ANY	WFPC2, IMAGE, WFALL	F450W	CLOCKS=YES; CR-SPLIT=DEF		Prime + Parallel Group 10-12	2400.0 Secs [==>1300.0 Secs (Split 1)] [==>1200.0 Secs (Split 2)]	[4]
	12	ANY	NIC3, MULTIACCUM, NIC3-FIX	F110W	SAMP-SEQ=SPARS 128; OFFSET=SAM; NSAMP=23		Prime + Parallel Group 10-12	[==>]	[4]
	13	(4) NGC4911-PA26 6	ACS/WFC, ACCUM, WFC1-FIX	F606W	CR-SPLIT=2; GAIN=2	POS TARG 0.08,0.04; NEW OBSET FULL ACQ; GSPAIR N59N0002 12F1000000000F0; GS ACQ SCENARIO SINGLE	Prime + Parallel Group 13-15	2400.0 Secs [==>1251.0 Secs (Split 1)] [==>1251.0 Secs (Split 2)]	[5]
	14	ANY	WFPC2, IMAGE, WFALL	F450W	CLOCKS=YES; CR-SPLIT=DEF		Prime + Parallel Group 13-15	2400.0 Secs [==>1300.0 Secs (Split 1)] [==>1200.0 Secs (Split 2)]	[5]

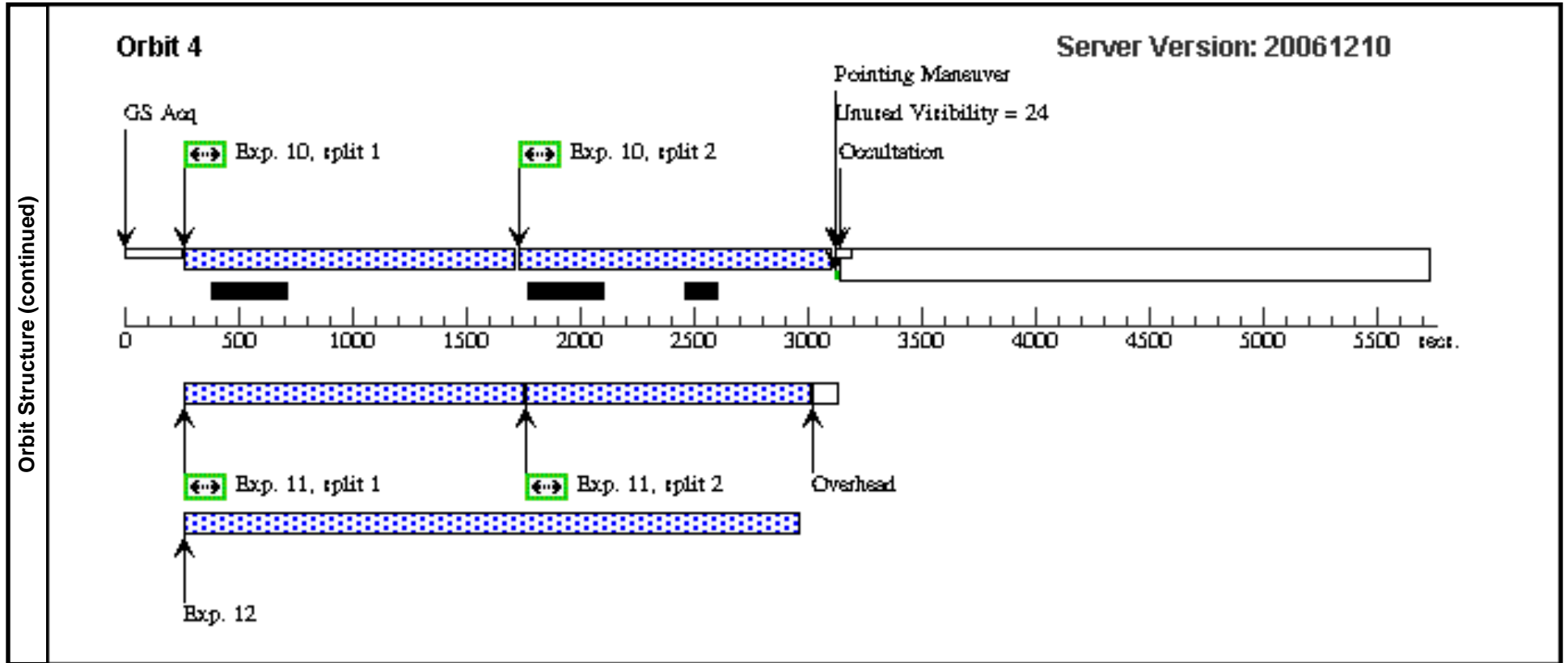
Proposal 10842 - Visit A8 - A Cepheid Distance to the Coma Cluster

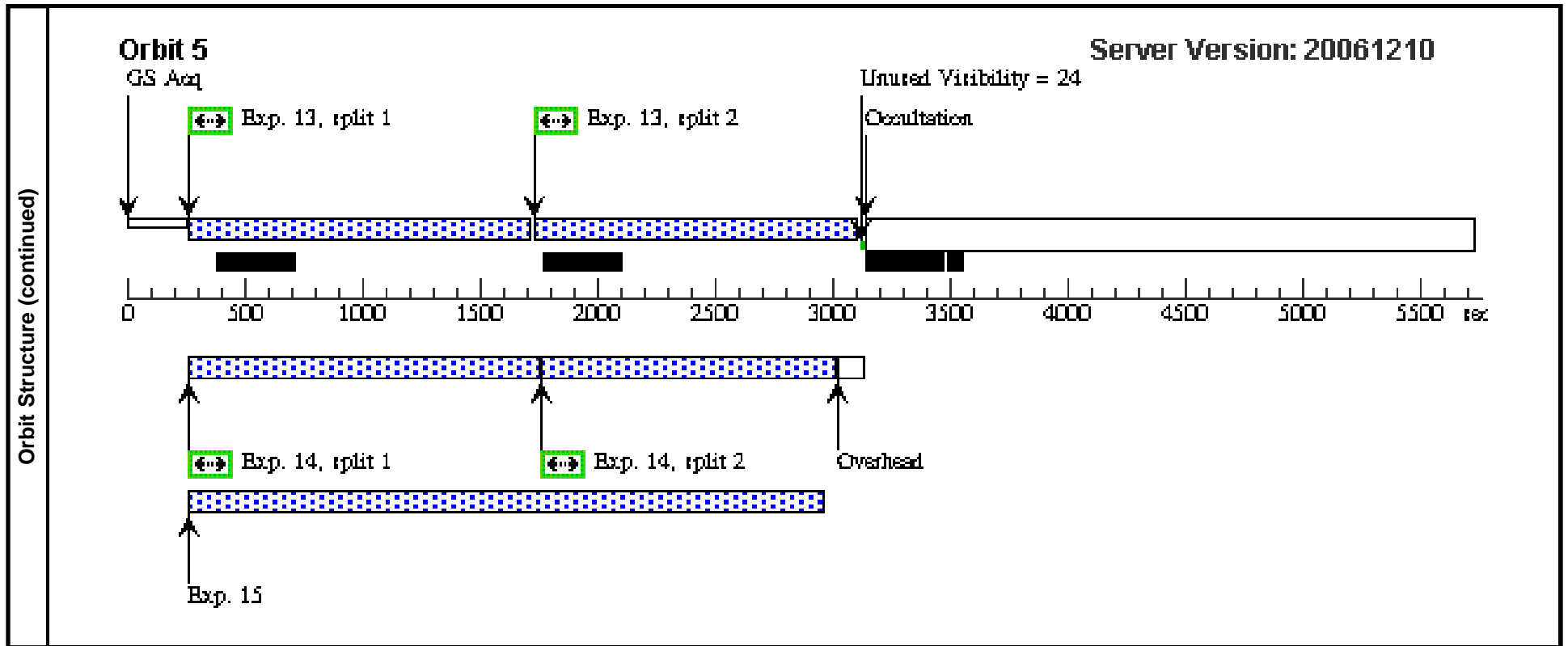
Exposures (continued)	#	Label	Target	Config, Mode, Aperture	Spectral Els.	Opt. Params.	Special Reqs.	Groups	Exp. Time/[Actual Dur.]	Orbit
	15	ANY	NIC3, MULTIACCUM, NIC3-FIX	F110W	SAMP-SEQ=SPARS 128; OFFSET=SAM; NSAMP=23	Prime + Parallel Gro up 13-15	[==>]	[5]		











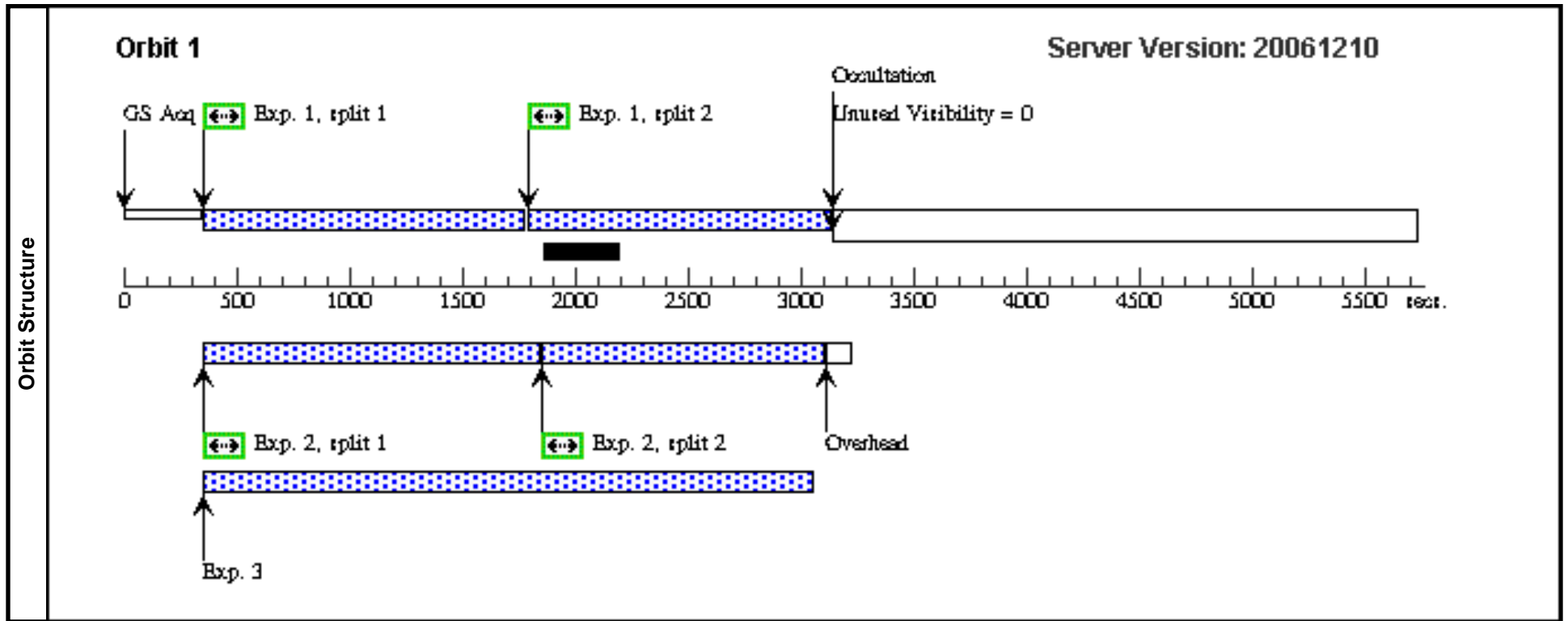
Proposal 10842 - Visit A9 - A Cepheid Distance to the Coma Cluster

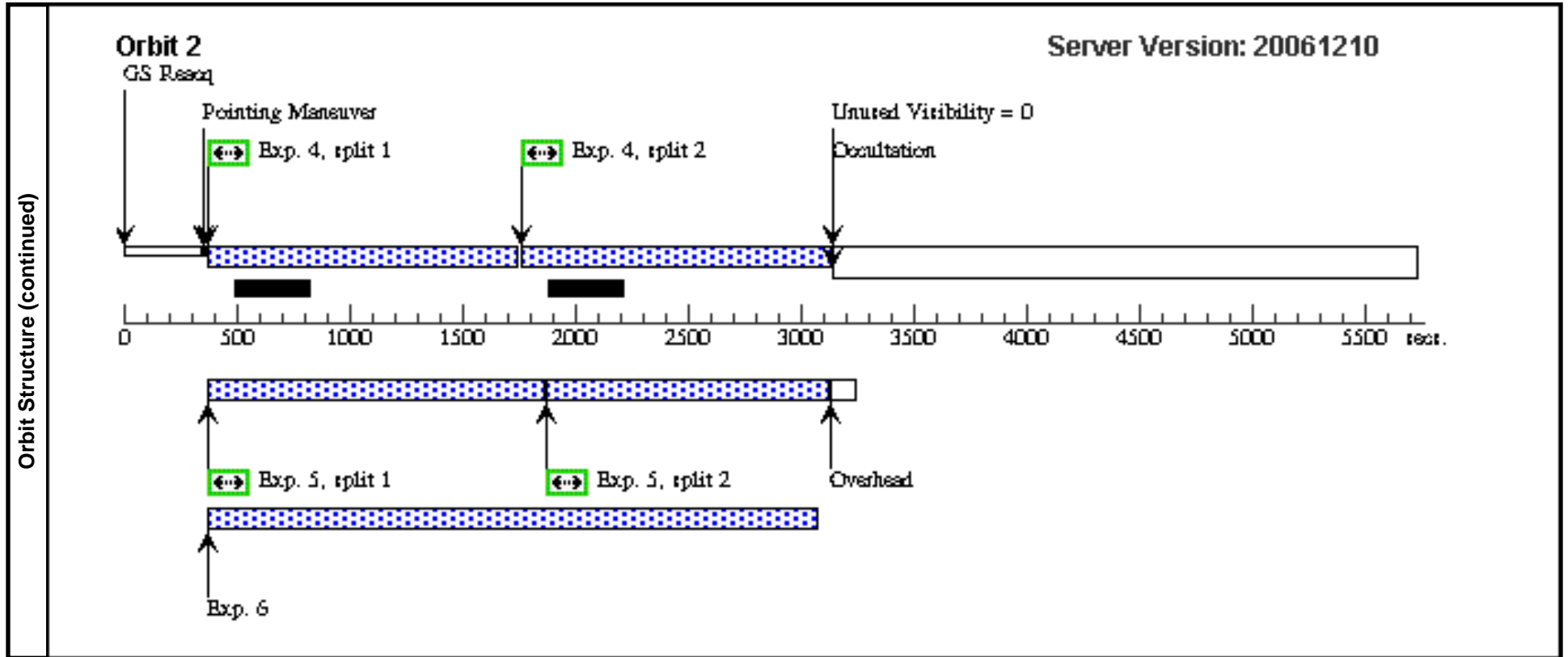
Fri Jan 19 02:15:12 GMT 2007

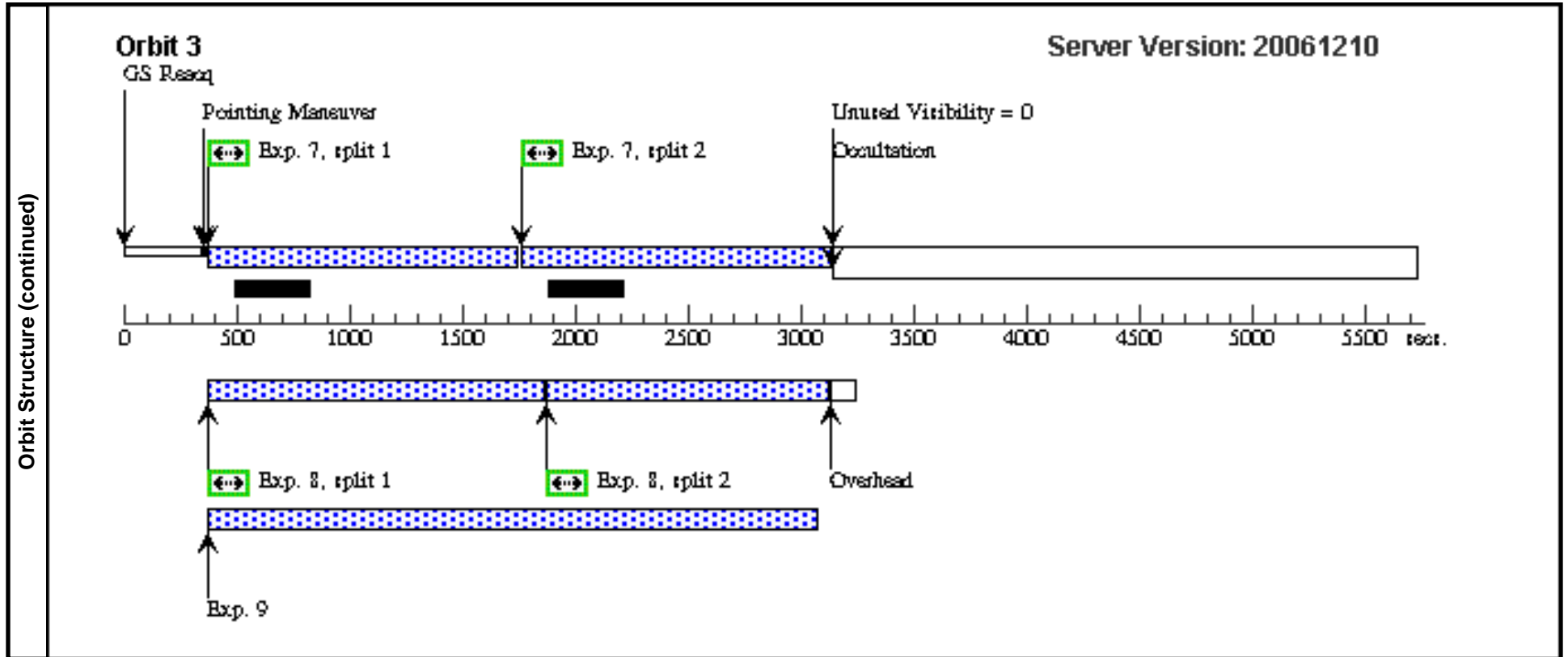
Visit	Proposal 10842, Visit A9, scheduling Diagnostic Status: No Diagnostics Scientific Instruments: ACS/WFC, WFPC2, NIC3 Special Requirements: PCS MODE FINE; ORIENT 233.0D TO 233.0 D; AFTER A1 BY 73.35 D TO 73.75 D									
	Fixed Targets	#	Name	Target Coordinates	Targ. Coord. Corrections	Fluxes	Miscellaneous			
	(5)	NGC4911-PA233	RA: 13 00 56.0800 (195.2336667d) Dec: +27 47 6.00 (27.78500d) Equinox: J2000			V=13.0	Reference Frame: ICRS			
Exposures	#	Label	Target	Config,Mode,Aperture	Spectral Els.	Opt. Params.	Special Reqs.	Groups	Exp. Time/[Actual Dur.]	Orbit
	1		(5) NGC4911-PA23 3	ACS/WFC, ACCUM, WFC1-FIX	F606W	CR-SPLIT=2; GAIN=2		Prime + Parallel Group 1-3	2400.0 Secs [==>1220.0 Secs (Split 1)] [==>1220.0 Secs (Split 2)]	[1]
	2		ANY	WFPC2, IMAGE, WFALL	F606W	CLOCKS=YES; CR-SPLIT=DEF		Prime + Parallel Group 1-3	2400.0 Secs [==>1300.0 Secs (Split 1)] [==>1200.0 Secs (Split 2)]	[1]
	3		ANY	NIC3, MULTIACCUM, NIC3-FIX	F160W	SAMP-SEQ=SPARS 128; OFFSET=SAM; NSAMP=23		Prime + Parallel Group 1-3	[==>]	[1]
	4		(5) NGC4911-PA23 3	ACS/WFC, ACCUM, WFC1-FIX	F606W	CR-SPLIT=2; GAIN=2	POS TARG 0.13,-0.065	Prime + Parallel Group 4-6	2400.0 Secs [==>1251.0 Secs (Split 1)] [==>1251.0 Secs (Split 2)]	[2]
	5		ANY	WFPC2, IMAGE, WFALL	F606W	CLOCKS=YES; CR-SPLIT=DEF		Prime + Parallel Group 4-6	2400.0 Secs [==>1300.0 Secs (Split 1)] [==>1200.0 Secs (Split 2)]	[2]
	6		ANY	NIC3, MULTIACCUM, NIC3-FIX	F110W	SAMP-SEQ=SPARS 128; OFFSET=SAM; NSAMP=23		Prime + Parallel Group 4-6	[==>]	[2]
	7		(5) NGC4911-PA23 3	ACS/WFC, ACCUM, WFC1-FIX	F606W	CR-SPLIT=2; GAIN=2	POS TARG -0.065,-0.13	Prime + Parallel Group 7-9	2400.0 Secs [==>1251.0 Secs (Split 1)] [==>1251.0 Secs (Split 2)]	[3]
8		ANY	WFPC2, IMAGE, WFALL	F814W	CLOCKS=YES; CR-SPLIT=DEF		Prime + Parallel Group 7-9	2400.0 Secs [==>1300.0 Secs (Split 1)] [==>1200.0 Secs (Split 2)]	[3]	

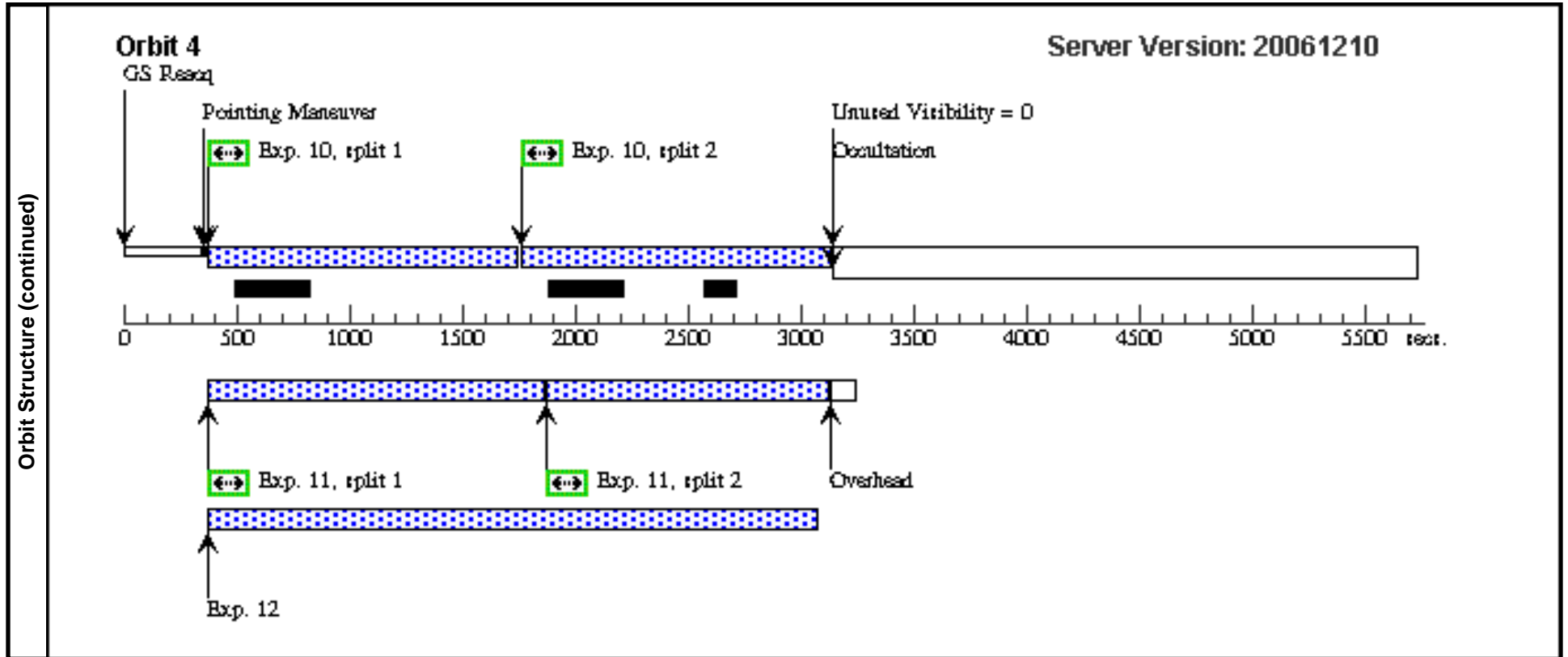
Proposal 10842 - Visit A9 - A Cepheid Distance to the Coma Cluster

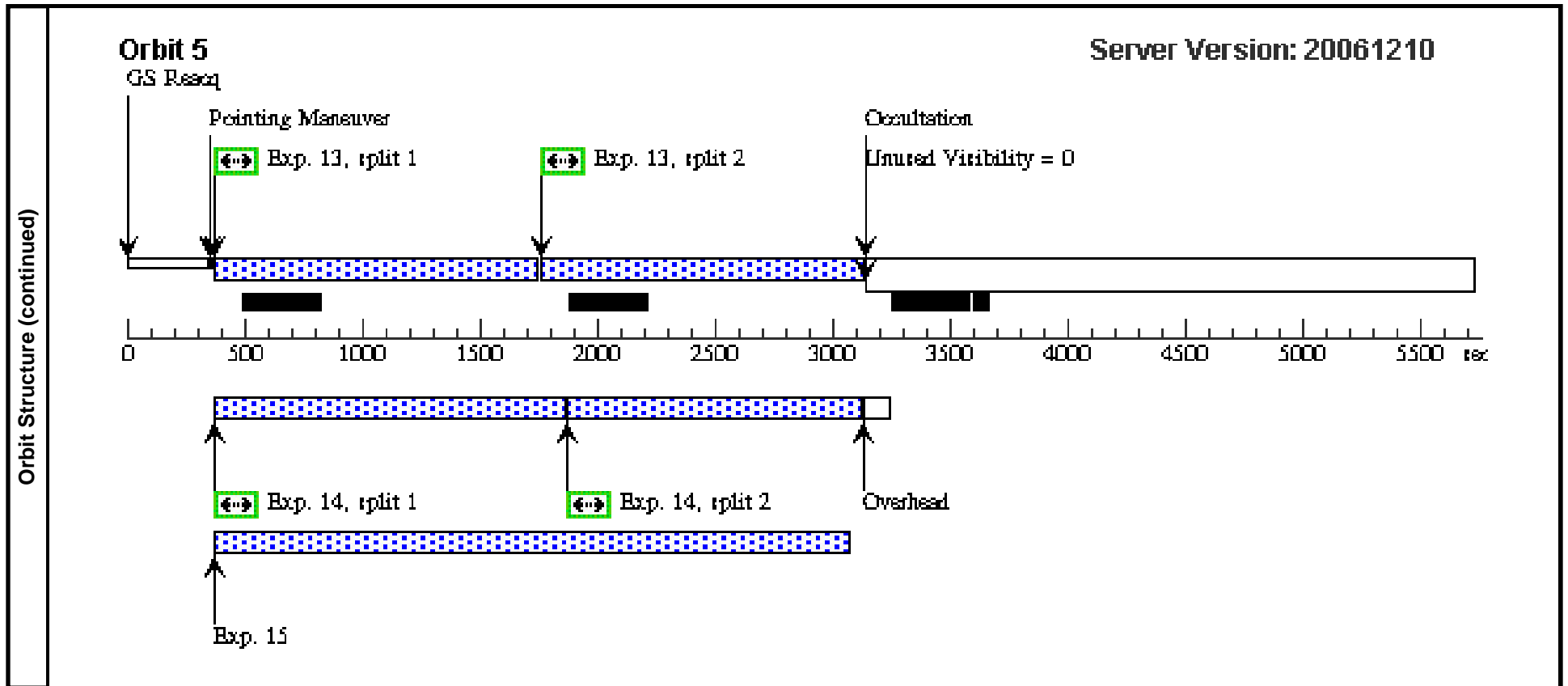
Exposures (continued)	#	Label	Target	Config,Mode,Aperture	Spectral Els.	Opt. Params.	Special Reqs.	Groups	Exp. Time/[Actual Dur.]	Orbit
	9		ANY	NIC3, MULTIACCUM, NIC3-FIX	F160W	SAMP-SEQ=SPARS 128; OFFSET=SAM; NSAMP=23		Prime + Parallel Group 7-9	[==>]	[3]
	10		(5) NGC4911-PA23 3	ACS/WFC, ACCUM, WFC1-FIX	F606W	CR-SPLIT=2; GAIN=2	POS TARG -0.13,0. 065	Prime + Parallel Group 10-12	2400.0 Secs [==>1251.0 Secs (Split 1)] [==>1251.0 Secs (Split 2)]	[4]
	11		ANY	WFPC2, IMAGE, WFALL	F450W	CLOCKS=YES; CR-SPLIT=DEF		Prime + Parallel Group 10-12	2400.0 Secs [==>1300.0 Secs (Split 1)] [==>1200.0 Secs (Split 2)]	[4]
	12		ANY	NIC3, MULTIACCUM, NIC3-FIX	F110W	SAMP-SEQ=SPARS 128; OFFSET=SAM; NSAMP=23		Prime + Parallel Group 10-12	[==>]	[4]
	13		(5) NGC4911-PA23 3	ACS/WFC, ACCUM, WFC1-FIX	F606W	CR-SPLIT=2; GAIN=2	POS TARG 0.065,0. 13	Prime + Parallel Group 13-15	2400.0 Secs [==>1251.0 Secs (Split 1)] [==>1251.0 Secs (Split 2)]	[5]
	14		ANY	WFPC2, IMAGE, WFALL	F450W	CLOCKS=YES; CR-SPLIT=DEF		Prime + Parallel Group 13-15	2400.0 Secs [==>1300.0 Secs (Split 1)] [==>1200.0 Secs (Split 2)]	[5]
	15		ANY	NIC3, MULTIACCUM, NIC3-FIX	F160W	SAMP-SEQ=SPARS 128; OFFSET=SAM; NSAMP=23		Prime + Parallel Group 13-15	[==>]	[5]











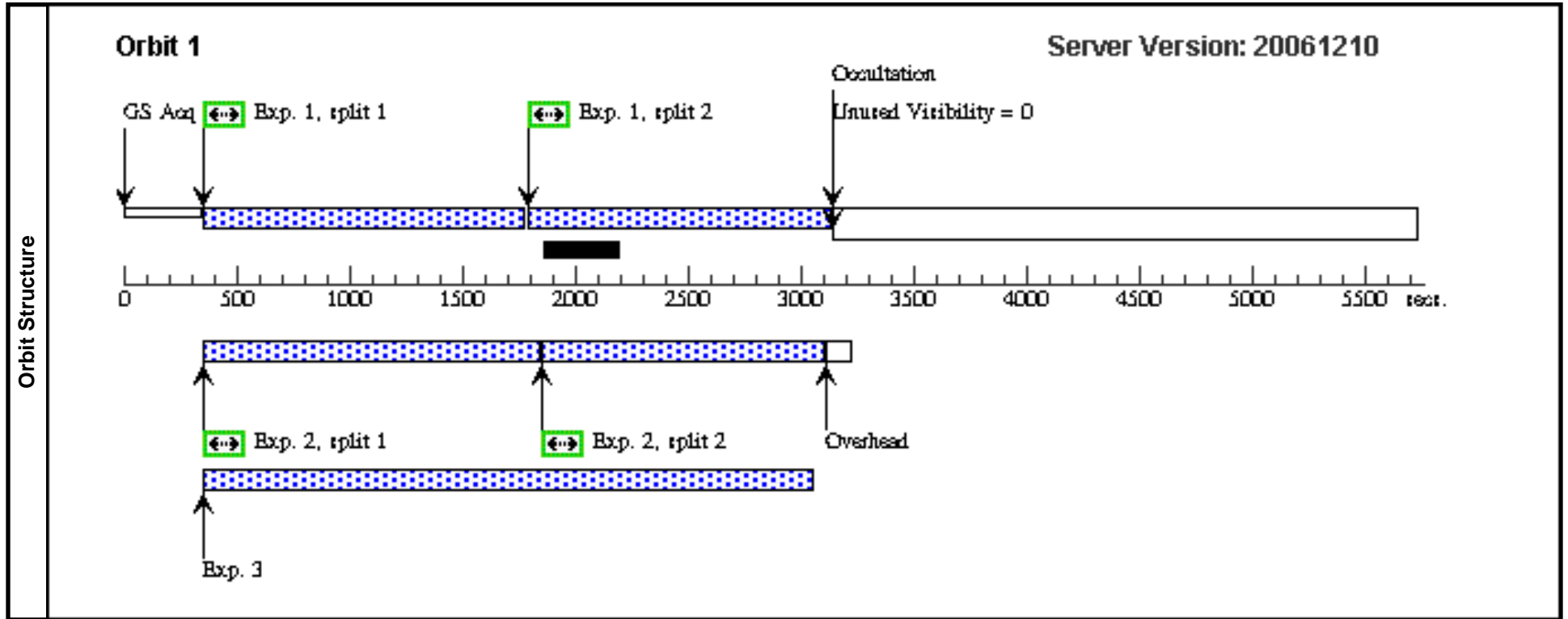
Proposal 10842 - Visit AA - A Cepheid Distance to the Coma Cluster

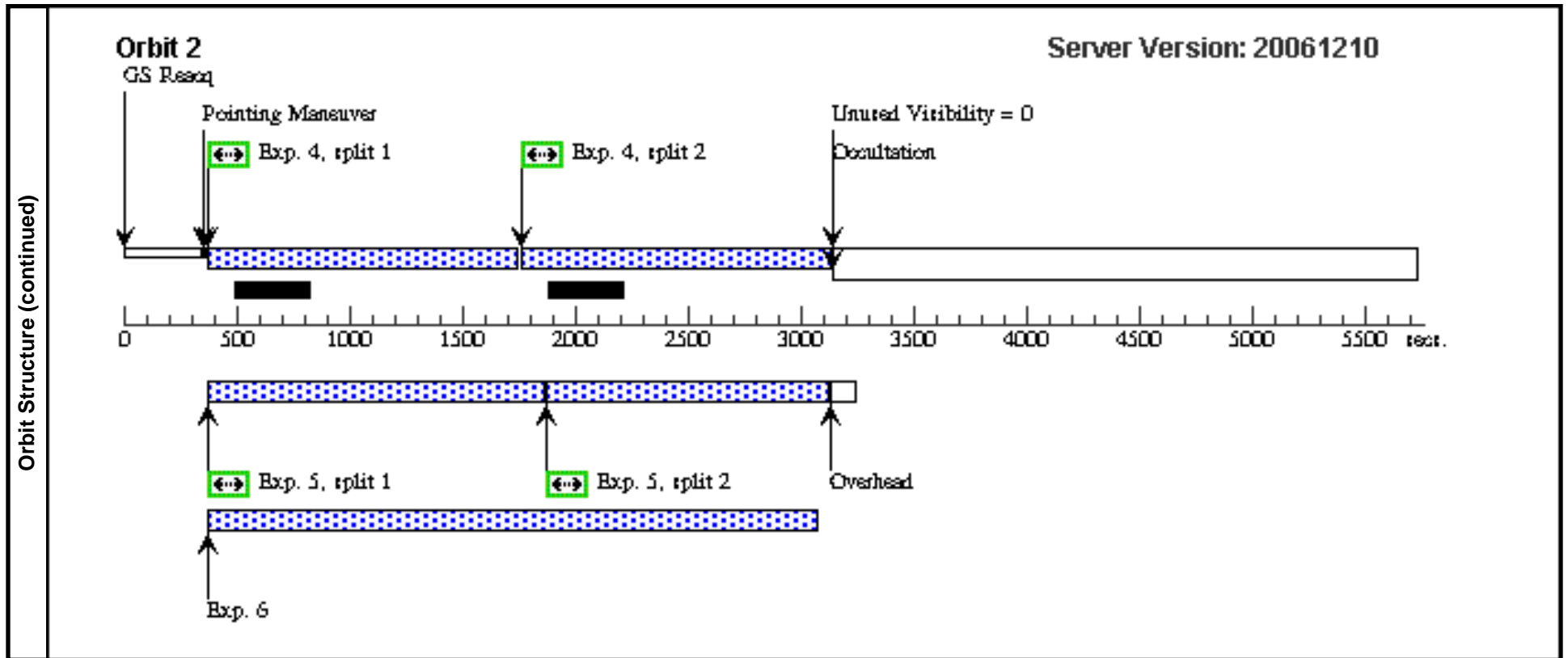
Fri Jan 19 02:15:13 GMT 2007

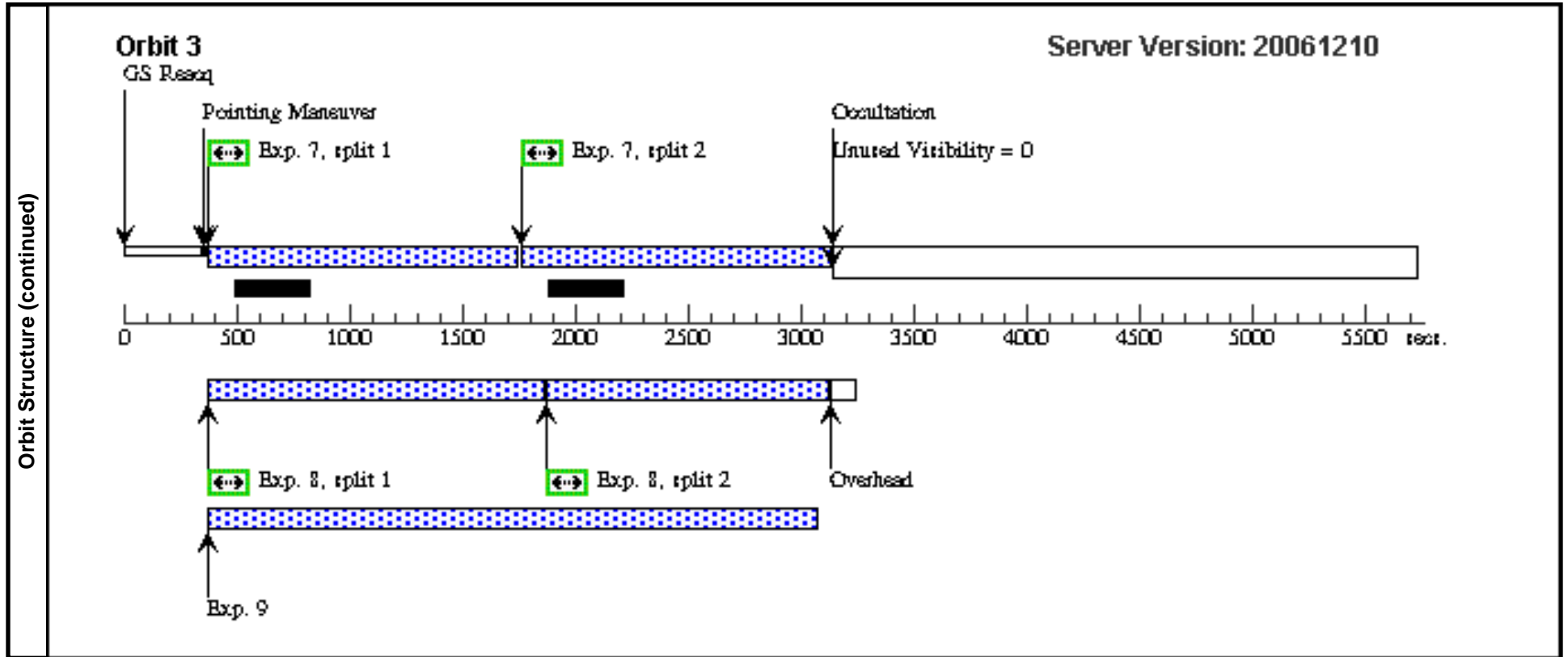
Visit	Proposal 10842, Visit AA, scheduling Diagnostic Status: No Diagnostics Scientific Instruments: ACS/WFC, WFPC2, NIC3 Special Requirements: PCS MODE FINE; SAME ORIENT AS A9; AFTER A1 BY 80.75 D TO 81.65 D									
	Fixed Targets	#	Name	Target Coordinates	Targ. Coord.	Corrections	Fluxes	Miscellaneous		
	(5)	NGC4911-PA233	RA: 13 00 56.0800 (195.2336667d) Dec: +27 47 6.00 (27.78500d) Equinox: J2000			V=13.0	Reference Frame: ICRS			
Exposures	#	Label	Target	Config,Mode,Aperture	Spectral Els.	Opt. Params.	Special Reqs.	Groups	Exp. Time/[Actual Dur.]	Orbit
	1		(5) NGC4911-PA23 3	ACS/WFC, ACCUM, WFC1-FIX	F606W	CR-SPLIT=2; GAIN=2	POS TARG -0.025,0 .025	Prime + Parallel Gro up 1-3	2400.0 Secs [==>1220.0 Secs (Split 1)] [==>1220.0 Secs (Split 2)]	[1]
	2		ANY	WFPC2, IMAGE, WFALL	F606W	CLOCKS=YES; CR-SPLIT=DEF		Prime + Parallel Gro up 1-3	2500.0 Secs [==>1300.0 Secs (Split 1)] [==>1200.0 Secs (Split 2)]	[1]
	3		ANY	NIC3, MULTIACCUM, NIC3-FIX	F160W	SAMP-SEQ=SPARS 128; OFFSET=SAM; NSAMP=23		Prime + Parallel Gro up 1-3	[==>]	[1]
	4		(5) NGC4911-PA23 3	ACS/WFC, ACCUM, WFC1-FIX	F606W	CR-SPLIT=2; GAIN=2	POS TARG 0.105,-0 .04	Prime + Parallel Gro up 4-6	2400.0 Secs [==>1251.0 Secs (Split 1)] [==>1251.0 Secs (Split 2)]	[2]
	5		ANY	WFPC2, IMAGE, WFALL	F606W	CLOCKS=YES; CR-SPLIT=DEF		Prime + Parallel Gro up 4-6	2500.0 Secs [==>1300.0 Secs (Split 1)] [==>1200.0 Secs (Split 2)]	[2]
	6		ANY	NIC3, MULTIACCUM, NIC3-FIX	F110W	SAMP-SEQ=SPARS 128; OFFSET=SAM; NSAMP=23		Prime + Parallel Gro up 4-6	[==>]	[2]
	7		(5) NGC4911-PA23 3	ACS/WFC, ACCUM, WFC1-FIX	F606W	CR-SPLIT=2; GAIN=2	POS TARG -0.09,-0 105	Prime + Parallel Gro up 7-9	2400.0 Secs [==>1251.0 Secs (Split 1)] [==>1251.0 Secs (Split 2)]	[3]
8		ANY	WFPC2, IMAGE, WFALL	F814W	CLOCKS=YES; CR-SPLIT=DEF		Prime + Parallel Gro up 7-9	2500.0 Secs [==>1300.0 Secs (Split 1)] [==>1200.0 Secs (Split 2)]	[3]	

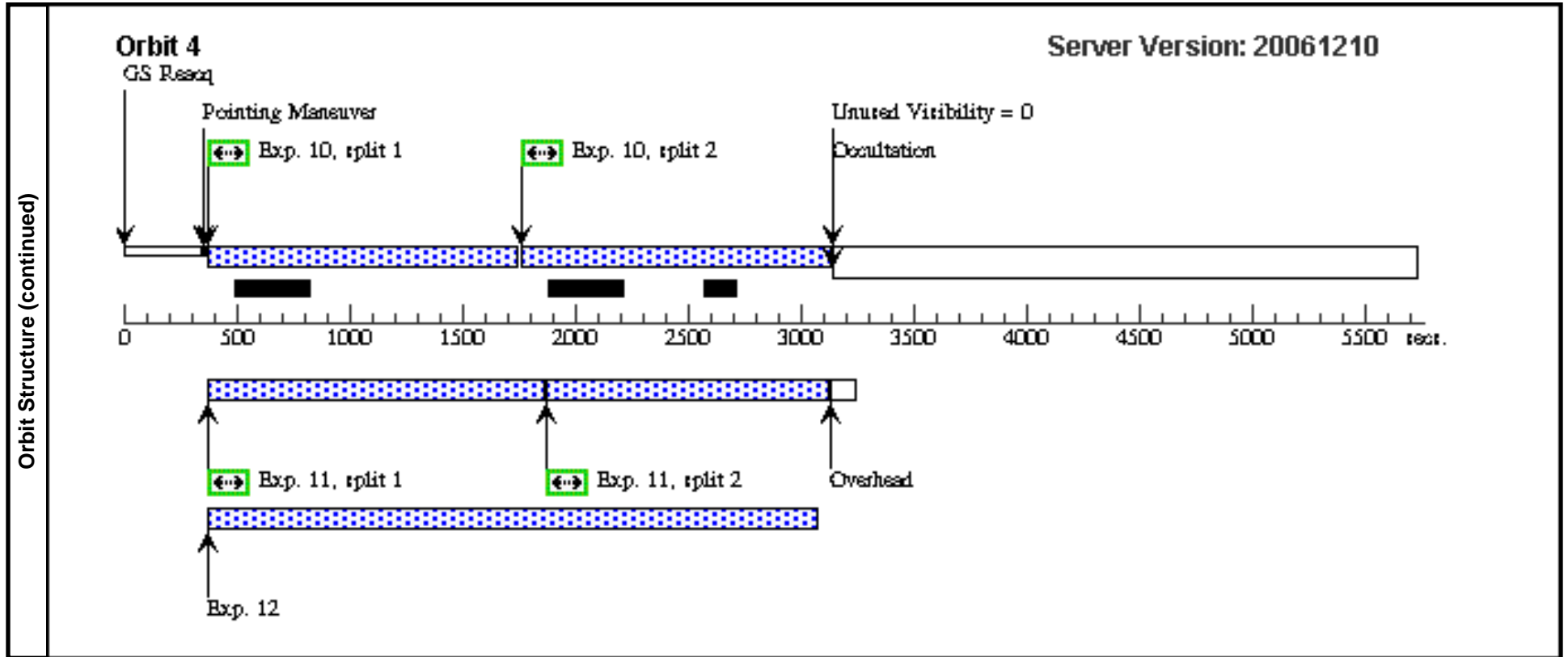
Proposal 10842 - Visit AA - A Cepheid Distance to the Coma Cluster

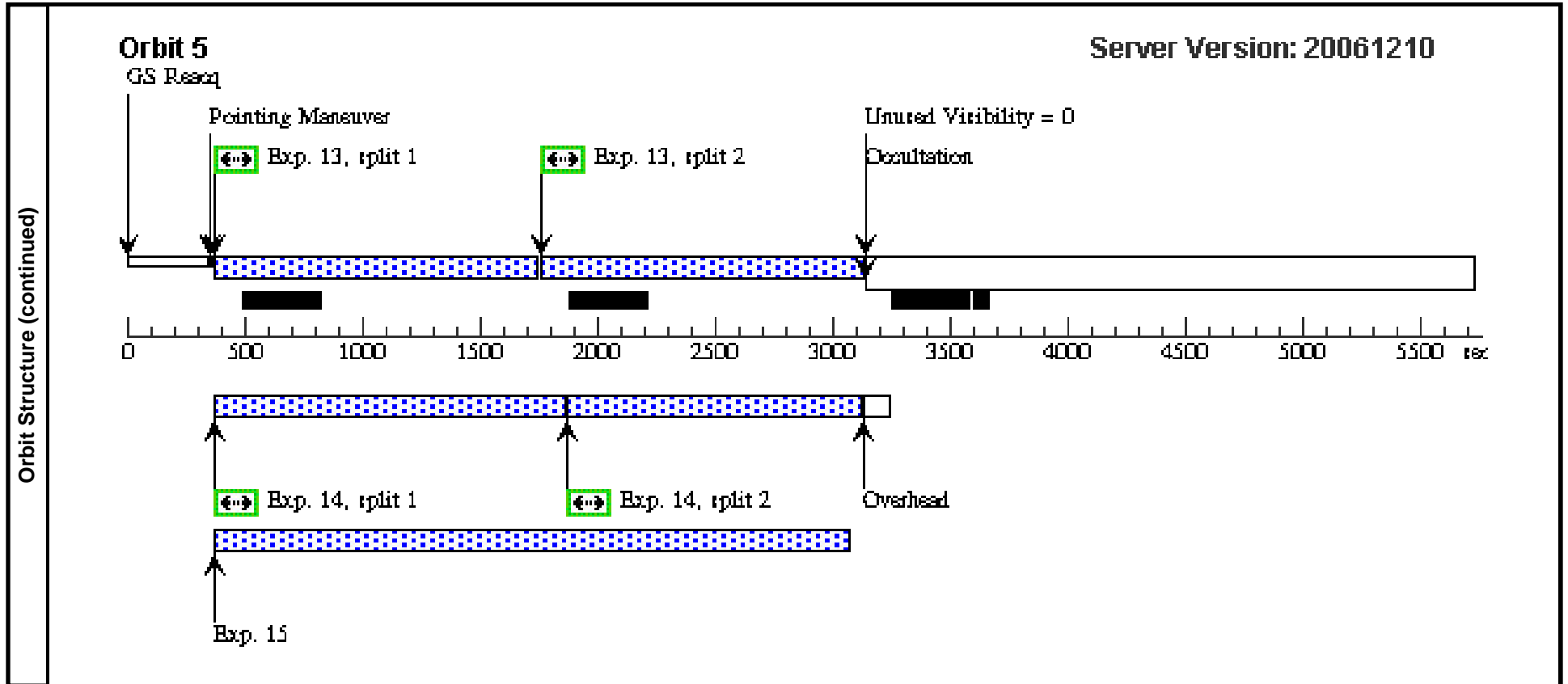
Exposures (continued)	#	Label	Target	Config,Mode,Aperture	Spectral Els.	Opt. Params.	Special Reqs.	Groups	Exp. Time/[Actual Dur.]	Orbit
	9		ANY	NIC3, MULTIACCUM, NIC3-FIX	F160W	SAMP-SEQ=SPARS 128; OFFSET=SAM; NSAMP=23		Prime + Parallel Group 7-9	[==>]	[3]
	10		(5) NGC4911-PA23 3	ACS/WFC, ACCUM, WFC1-FIX	F606W	CR-SPLIT=2; GAIN=2	POS TARG -0.155,0 .09	Prime + Parallel Group 10-12	2400.0 Secs [==>1251.0 Secs (Split 1)] [==>1251.0 Secs (Split 2)]	[4]
	11		ANY	WFPC2, IMAGE, WFALL	F450W	CLOCKS=YES; CR-SPLIT=DEF		Prime + Parallel Group 10-12	2500.0 Secs [==>1300.0 Secs (Split 1)] [==>1200.0 Secs (Split 2)]	[4]
	12		ANY	NIC3, MULTIACCUM, NIC3-FIX	F110W	SAMP-SEQ=SPARS 128; OFFSET=SAM; NSAMP=23		Prime + Parallel Group 10-12	[==>]	[4]
	13		(5) NGC4911-PA23 3	ACS/WFC, ACCUM, WFC1-FIX	F606W	CR-SPLIT=2; GAIN=2	POS TARG 0.04,0.1 55	Prime + Parallel Group 13-15	2400.0 Secs [==>1251.0 Secs (Split 1)] [==>1251.0 Secs (Split 2)]	[5]
	14		ANY	WFPC2, IMAGE, WFALL	F450W	CLOCKS=YES; CR-SPLIT=DEF		Prime + Parallel Group 13-15	2500.0 Secs [==>1300.0 Secs (Split 1)] [==>1200.0 Secs (Split 2)]	[5]
	15		ANY	NIC3, MULTIACCUM, NIC3-FIX	F160W	SAMP-SEQ=SPARS 128; OFFSET=SAM; NSAMP=23		Prime + Parallel Group 13-15	[==>]	[5]











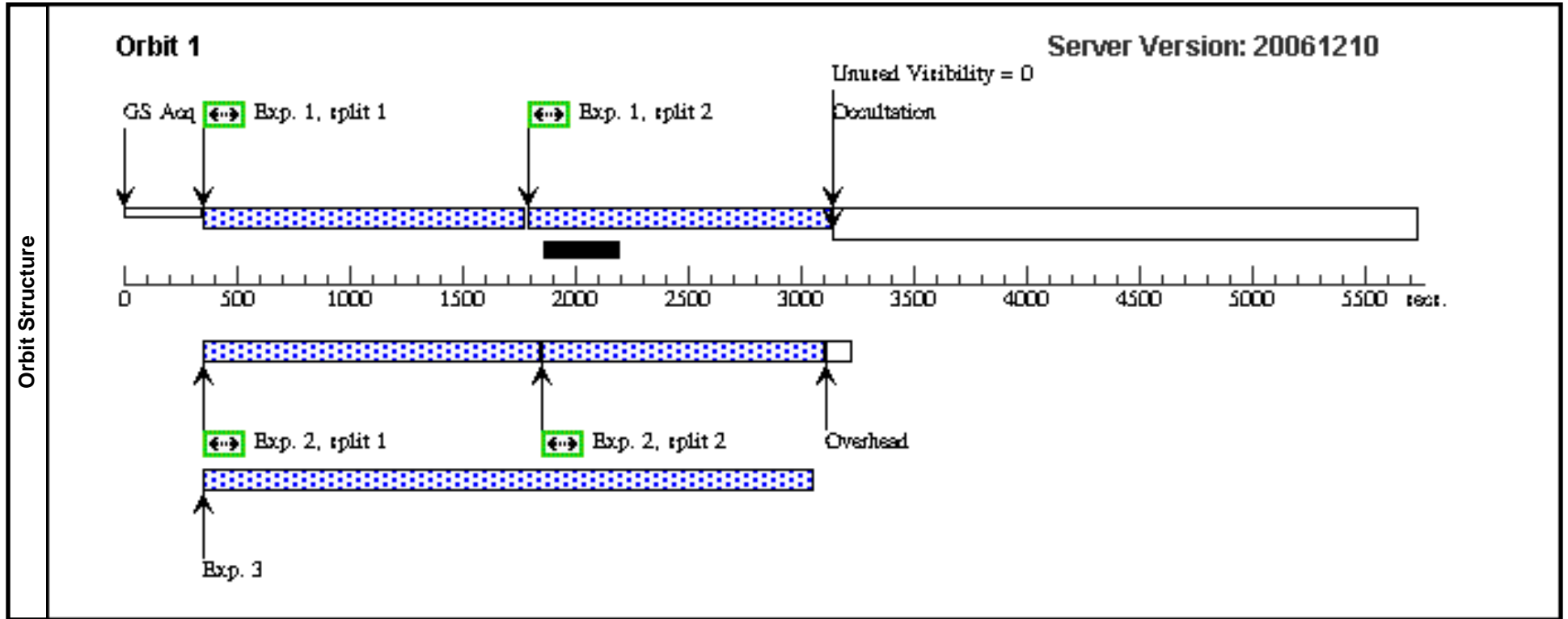
Proposal 10842 - Visit AY - A Cepheid Distance to the Coma Cluster

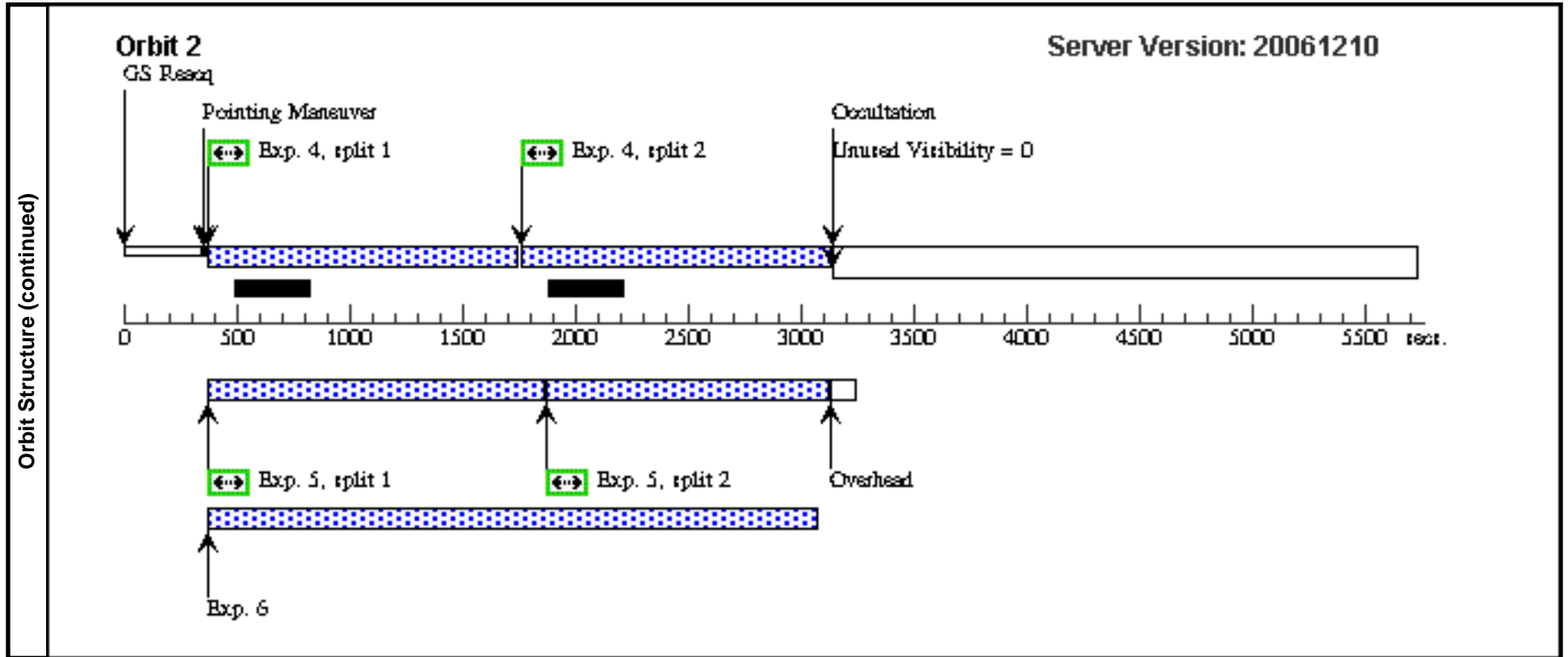
Fri Jan 19 02:15:14 GMT 2007

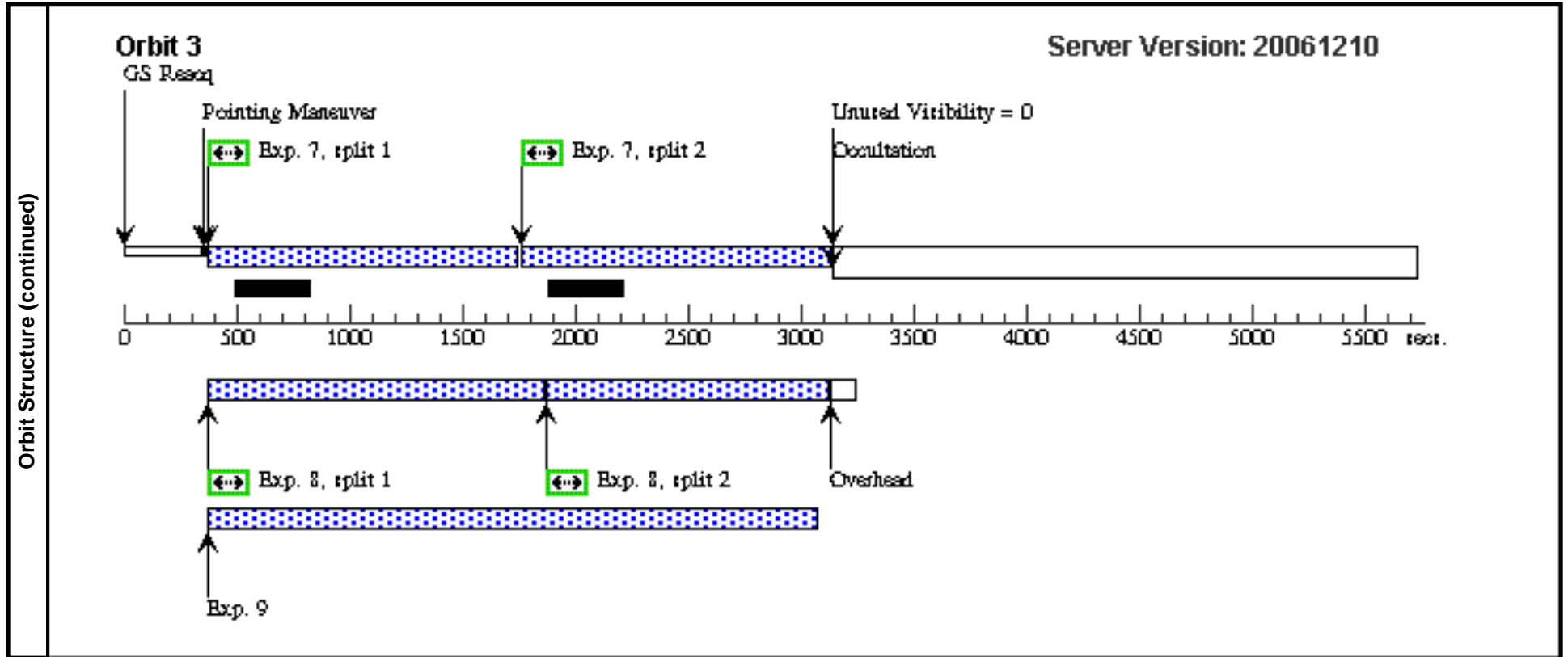
Visit	Proposal 10842, Visit AY, scheduling Diagnostic Status: No Diagnostics Scientific Instruments: ACS/WFC, WFPC2, NIC3 Special Requirements: PCS MODE FINE; SAME ORIENT AS A9; AFTER A9 BY 6 D TO 10 D									
	Fixed Targets	#	Name	Target Coordinates	Targ. Coord. Corrections	Fluxes	Miscellaneous			
	(5)	NGC4911-PA233	RA: 13 00 56.0800 (195.2336667d) Dec: +27 47 6.00 (27.78500d) Equinox: J2000		V=13.0	Reference Frame: ICRS				
Exposures	#	Label	Target	Config,Mode,Aperture	Spectral Els.	Opt. Params.	Special Reqs.	Groups	Exp. Time/[Actual Dur.]	Orbit
	1		(5) NGC4911-PA23 3	ACS/WFC, ACCUM, WFC1-FIX	F814W	CR-SPLIT=2; GAIN=2	POS TARG 0.025,0. 05	Prime + Parallel Group up 1-3	2400.0 Secs [==>1220.0 Secs (Split 1)] [==>1220.0 Secs (Split 2)]	[1]
	2		ANY	WFPC2, IMAGE, WFALL	F606W	CLOCKS=YES; CR-SPLIT=DEF		Prime + Parallel Group up 1-3	2500.0 Secs [==>1300.0 Secs (Split 1)] [==>1200.0 Secs (Split 2)]	[1]
	3		ANY	NIC3, MULTIACCUM, NIC3-FIX	F160W	SAMP-SEQ=SPARS 128; OFFSET=SAM; NSAMP=23		Prime + Parallel Group up 1-3	[==>]	[1]
	4		(5) NGC4911-PA23 3	ACS/WFC, ACCUM, WFC1-FIX	F814W	CR-SPLIT=2; GAIN=2	POS TARG -0.04,0. 18	Prime + Parallel Group up 4-6	2400.0 Secs [==>1251.0 Secs (Split 1)] [==>1251.0 Secs (Split 2)]	[2]
	5		ANY	WFPC2, IMAGE, WFALL	F606W	CLOCKS=YES; CR-SPLIT=DEF		Prime + Parallel Group up 4-6	2500.0 Secs [==>1300.0 Secs (Split 1)] [==>1200.0 Secs (Split 2)]	[2]
	6		ANY	NIC3, MULTIACCUM, NIC3-FIX	F110W	SAMP-SEQ=SPARS 128; OFFSET=SAM; NSAMP=23		Prime + Parallel Group up 4-6	[==>]	[2]
	7		(5) NGC4911-PA23 3	ACS/WFC, ACCUM, WFC1-FIX	F814W	CR-SPLIT=2; GAIN=2	POS TARG -0.105,- 0.015	Prime + Parallel Group up 7-9	2400.0 Secs [==>1251.0 Secs (Split 1)] [==>1251.0 Secs (Split 2)]	[3]
8		ANY	WFPC2, IMAGE, WFALL	F814W	CLOCKS=YES; CR-SPLIT=DEF		Prime + Parallel Group up 7-9	2500.0 Secs [==>1300.0 Secs (Split 1)] [==>1200.0 Secs (Split 2)]	[3]	

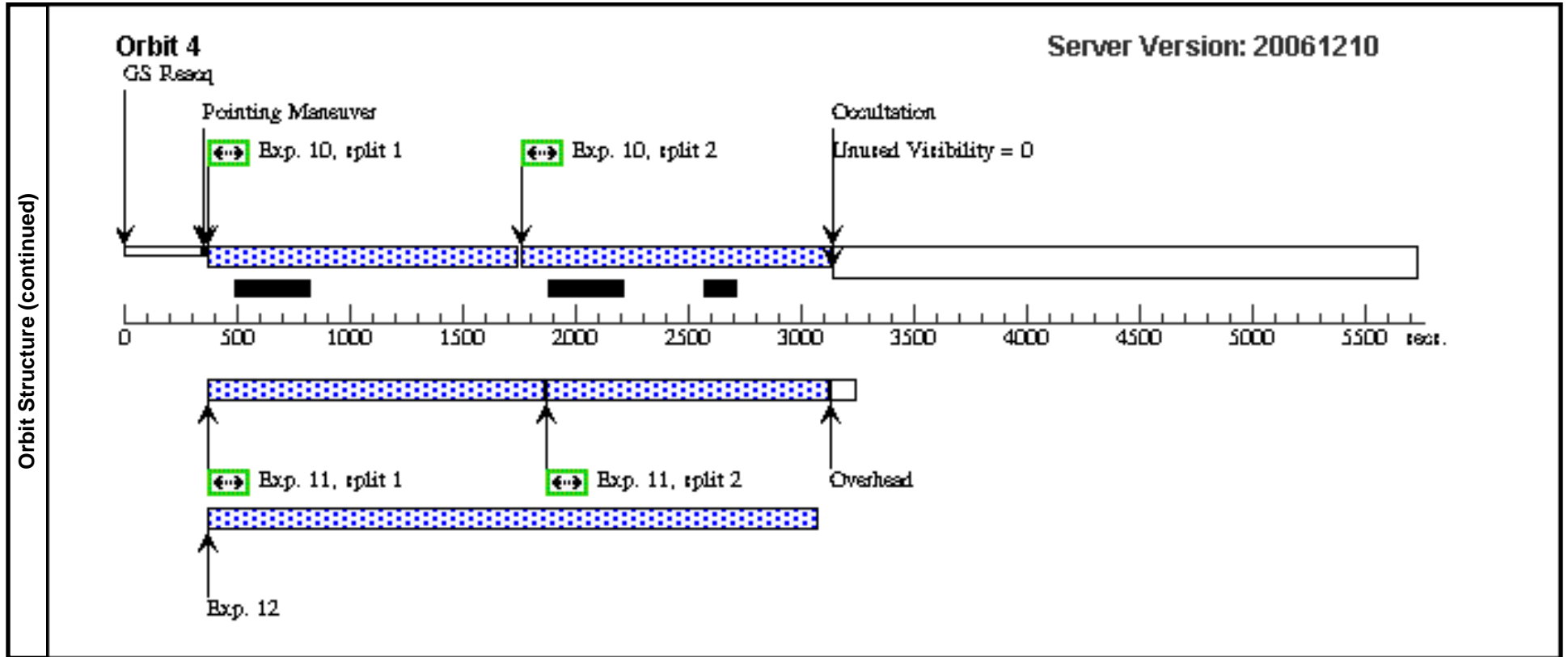
Proposal 10842 - Visit AY - A Cepheid Distance to the Coma Cluster

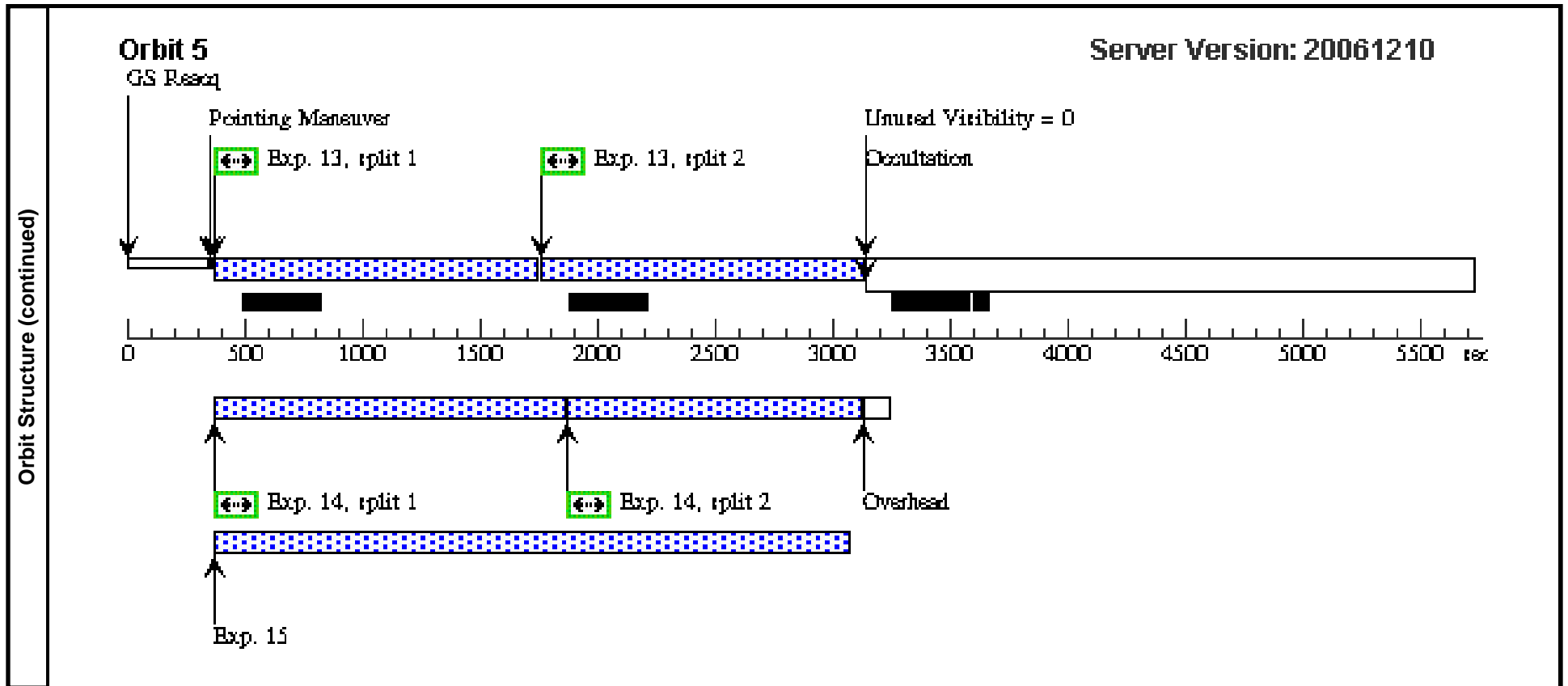
Exposures (continued)	#	Label	Target	Config,Mode,Aperture	Spectral Els.	Opt. Params.	Special Reqs.	Groups	Exp. Time/[Actual Dur.]	Orbit
	9		ANY	NIC3, MULTIACCUM, NIC3-FIX	F160W	SAMP-SEQ=SPARS 128; OFFSET=SAM; NSAMP=23		Prime + Parallel Group 7-9	[==>]	[3]
	10		(5) NGC4911-PA23 3	ACS/WFC, ACCUM, WFC1-FIX	F814W	CR-SPLIT=2; GAIN=2	POS TARG 0.09,-0.08	Prime + Parallel Group 10-12	2400.0 Secs [==>1251.0 Secs (Split 1)] [==>1251.0 Secs (Split 2)]	[4]
	11		ANY	WFPC2, IMAGE, WFALL	F450W	CLOCKS=YES; CR-SPLIT=DEF		Prime + Parallel Group 10-12	2500.0 Secs [==>1300.0 Secs (Split 1)] [==>1200.0 Secs (Split 2)]	[4]
	12		ANY	NIC3, MULTIACCUM, NIC3-FIX	F110W	SAMP-SEQ=SPARS 128; OFFSET=SAM; NSAMP=23		Prime + Parallel Group 10-12	[==>]	[4]
	13		(5) NGC4911-PA23 3	ACS/WFC, ACCUM, WFC1-FIX	F814W	CR-SPLIT=2; GAIN=2	POS TARG 0.155,0.115	Prime + Parallel Group 13-15	2400.0 Secs [==>1251.0 Secs (Split 1)] [==>1251.0 Secs (Split 2)]	[5]
	14		ANY	WFPC2, IMAGE, WFALL	F450W	CLOCKS=YES; CR-SPLIT=DEF		Prime + Parallel Group 13-15	2500.0 Secs [==>1300.0 Secs (Split 1)] [==>1200.0 Secs (Split 2)]	[5]
	15		ANY	NIC3, MULTIACCUM, NIC3-FIX	F160W	SAMP-SEQ=SPARS 128; OFFSET=SAM; NSAMP=23		Prime + Parallel Group 13-15	[==>]	[5]











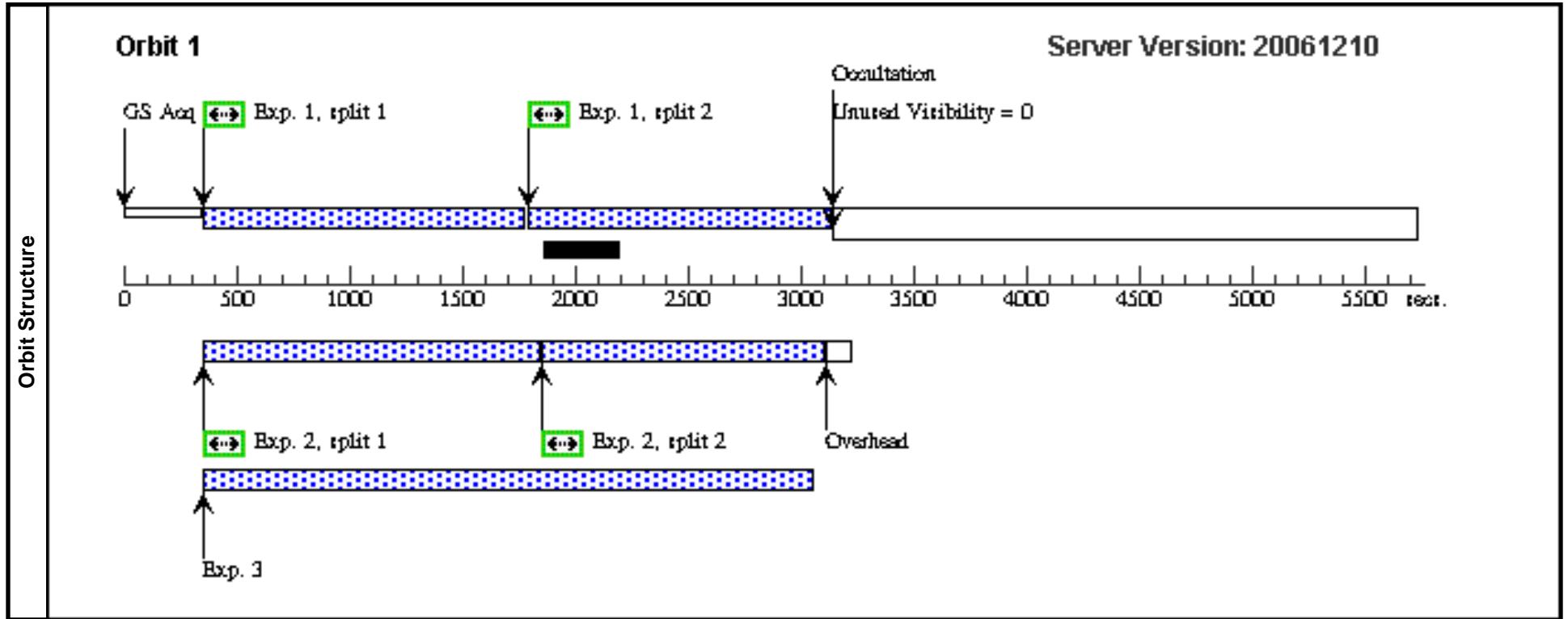
Proposal 10842 - Visit AZ - A Cepheid Distance to the Coma Cluster

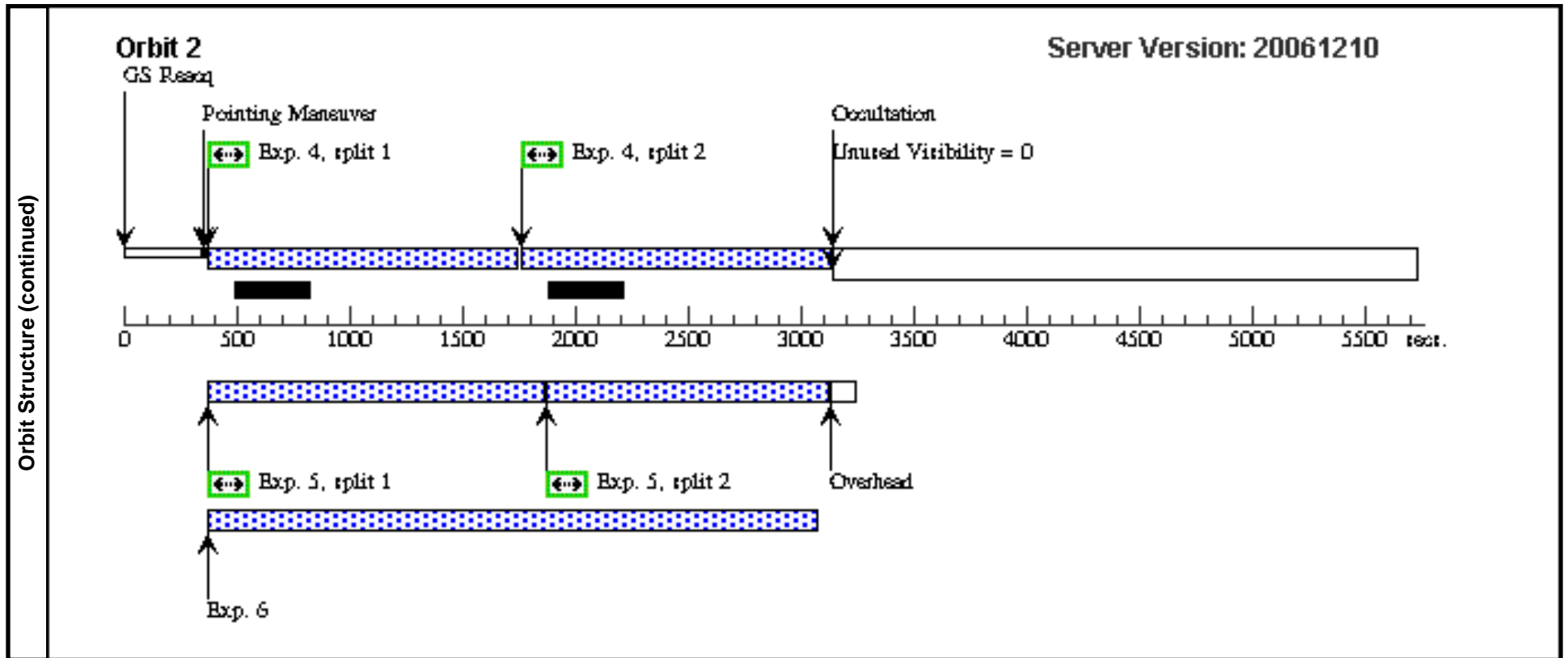
Fri Jan 19 02:15:16 GMT 2007

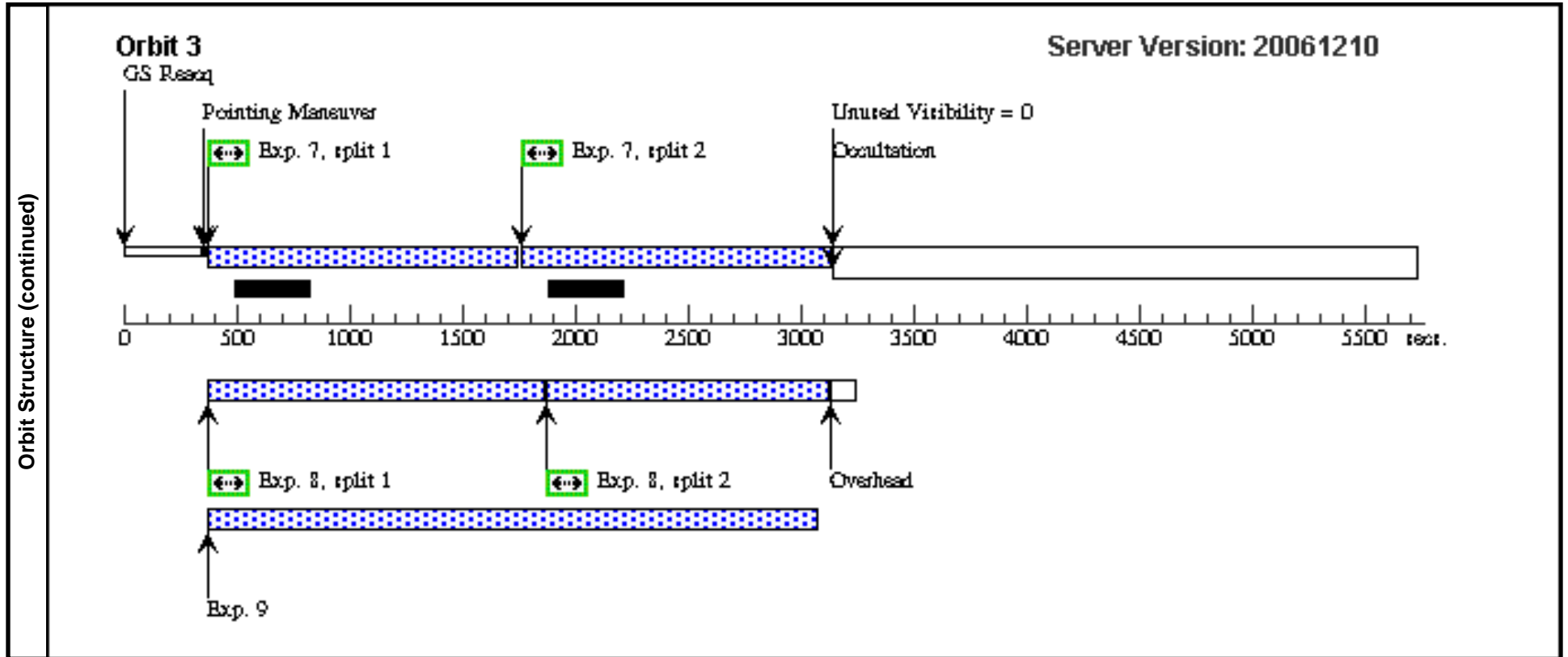
Visit		Proposal 10842, Visit AZ, scheduling Diagnostic Status: No Diagnostics Scientific Instruments: ACS/WFC, WFPC2, NIC3 Special Requirements: PCS MODE FINE; SAME ORIENT AS A9; AFTER AY BY 5 D TO 13 D									
Fixed Targets	#	Name	Target Coordinates	Targ. Coord. Corrections	Fluxes	Miscellaneous					
		(5)	NGC4911-PA233	RA: 13 00 56.0800 (195.2336667d) Dec: +27 47 6.00 (27.78500d) Equinox: J2000		V=13.0	Reference Frame: ICRS				
Exposures	#	Label	Target	Config,Mode,Aperture	Spectral Els.	Opt. Params.	Special Reqs.	Groups	Exp. Time/[Actual Dur.]	Orbit	
	1		(5) NGC4911-PA23 3	ACS/WFC, ACCUM, WFC1-FIX	F814W	CR-SPLIT=2; GAIN=2	POS TARG -0.05,-0.025	Prime + Parallel Group 1-3	2400.0 Secs [==>1220.0 Secs (Split 1)] [==>1220.0 Secs (Split 2)]	[1]	
	2		ANY	WFPC2, IMAGE, WFALL	F606W	CLOCKS=YES; CR-SPLIT=DEF		Prime + Parallel Group 1-3	2500.0 Secs [==>1300.0 Secs (Split 1)] [==>1200.0 Secs (Split 2)]	[1]	
	3		ANY	NIC3, MULTIACCUM, NIC3-FIX	F160W	SAMP-SEQ=SPARS 128; OFFSET=SAM; NSAMP=23		Prime + Parallel Group 1-3	[==>]	[1]	
	4		(5) NGC4911-PA23 3	ACS/WFC, ACCUM, WFC1-FIX	F814W	CR-SPLIT=2; GAIN=2	POS TARG -0.115,0.105	Prime + Parallel Group 4-6	2400.0 Secs [==>1251.0 Secs (Split 1)] [==>1251.0 Secs (Split 2)]	[2]	
	5		ANY	WFPC2, IMAGE, WFALL	F814W	CLOCKS=YES; CR-SPLIT=DEF		Prime + Parallel Group 4-6	2500.0 Secs [==>1300.0 Secs (Split 1)] [==>1200.0 Secs (Split 2)]	[2]	
	6		ANY	NIC3, MULTIACCUM, NIC3-FIX	F110W	SAMP-SEQ=SPARS 128; OFFSET=SAM; NSAMP=23		Prime + Parallel Group 4-6	[==>]	[2]	
	7		(5) NGC4911-PA23 3	ACS/WFC, ACCUM, WFC1-FIX	F814W	CR-SPLIT=2; GAIN=2	POS TARG -0.18,-0.09	Prime + Parallel Group 7-9	2400.0 Secs [==>1251.0 Secs (Split 1)] [==>1251.0 Secs (Split 2)]	[3]	
8		ANY	WFPC2, IMAGE, WFALL	F814W	CLOCKS=YES; CR-SPLIT=DEF		Prime + Parallel Group 7-9	2500.0 Secs [==>1300.0 Secs (Split 1)] [==>1200.0 Secs (Split 2)]	[3]		

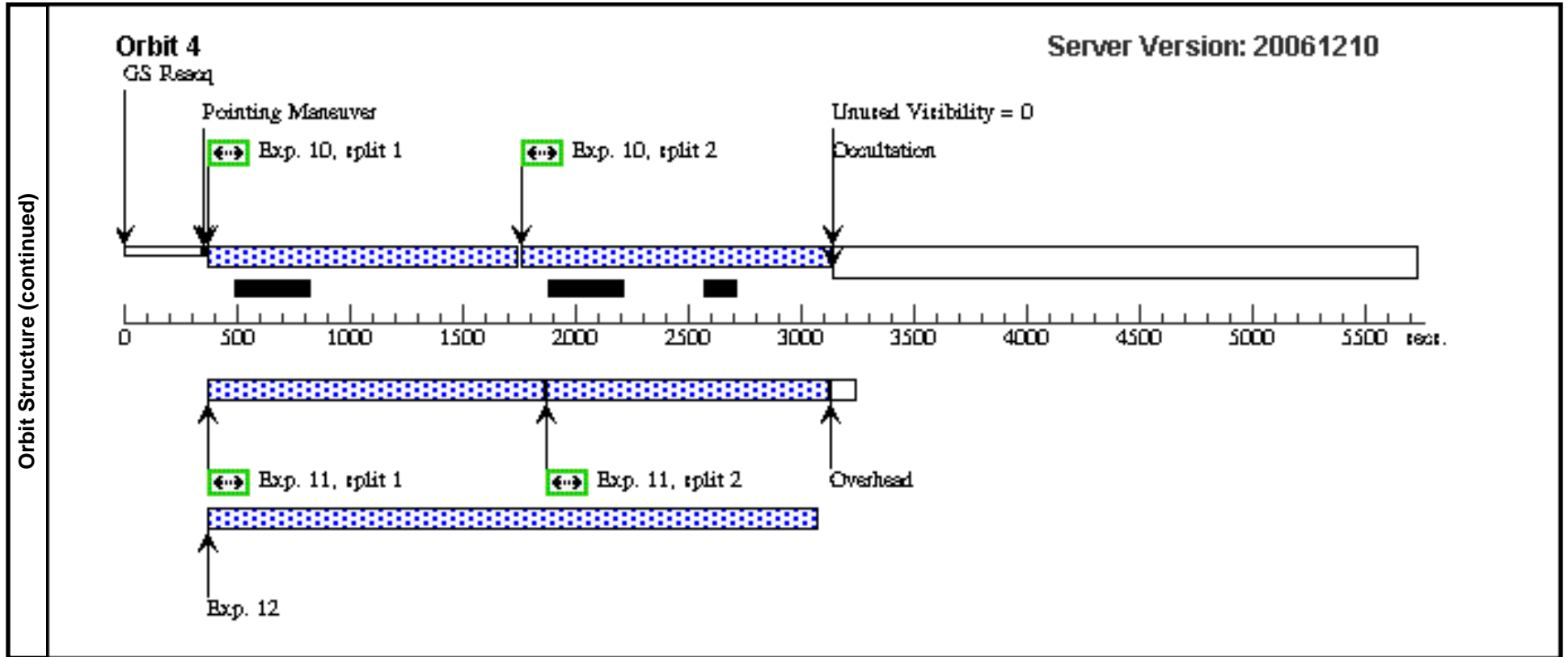
Proposal 10842 - Visit AZ - A Cepheid Distance to the Coma Cluster

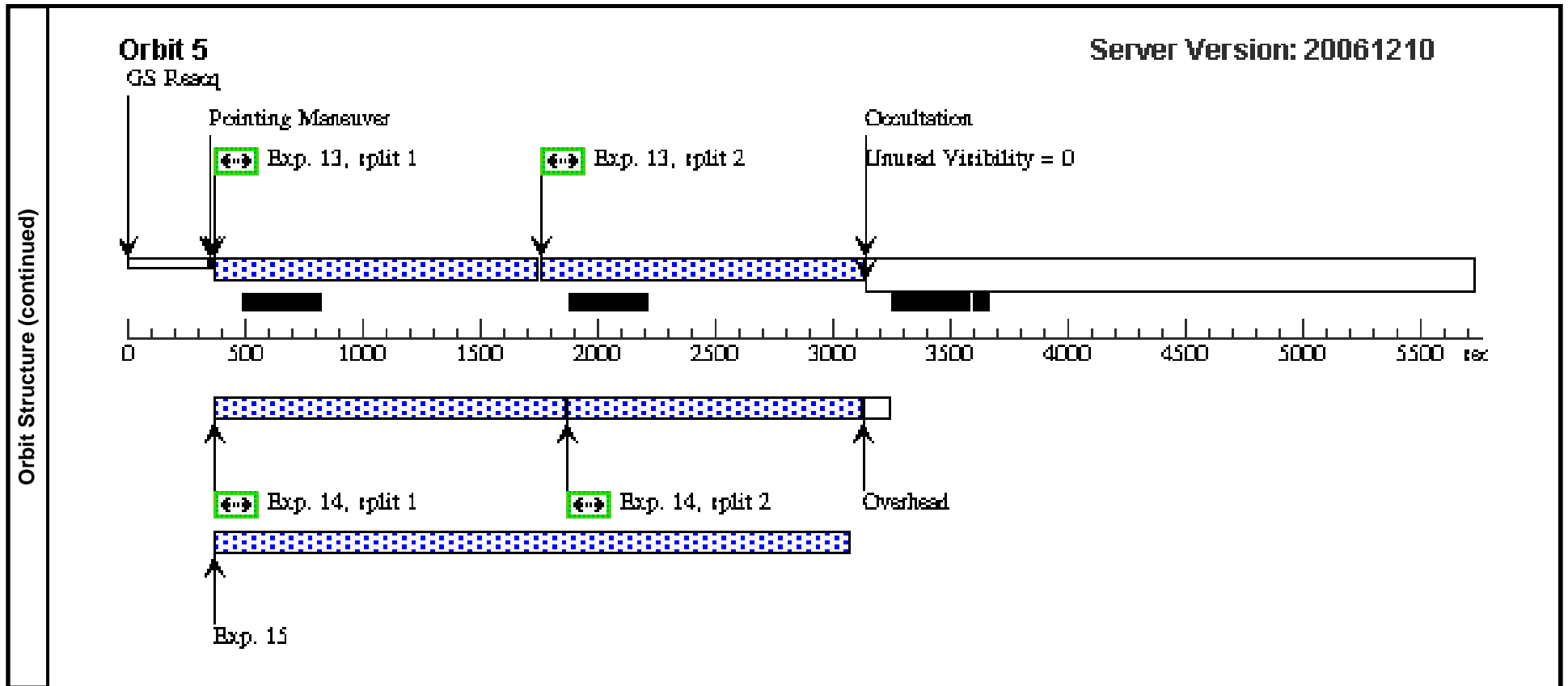
Exposures (continued)	#	Label	Target	Config,Mode,Aperture	Spectral Els.	Opt. Params.	Special Reqs.	Groups	Exp. Time/[Actual Dur.]	Orbit
	9		ANY	NIC3, MULTIACCUM, NIC3-FIX	F160W	SAMP-SEQ=SPARS 128; OFFSET=SAM; NSAMP=23		Prime + Parallel Group 7-9	[==>]	[3]
	10		(5) NGC4911-PA23 3	ACS/WFC, ACCUM, WFC1-FIX	F814W	CR-SPLIT=2; GAIN=2	POS TARG 0.015,-0 .155	Prime + Parallel Group 10-12	2400.0 Secs [==>1251.0 Secs (Split 1)] [==>1251.0 Secs (Split 2)]	[4]
	11		ANY	WFPC2, IMAGE, WFALL	F450W	CLOCKS=YES; CR-SPLIT=DEF		Prime + Parallel Group 10-12	2500.0 Secs [==>1300.0 Secs (Split 1)] [==>1200.0 Secs (Split 2)]	[4]
	12		ANY	NIC3, MULTIACCUM, NIC3-FIX	F110W	SAMP-SEQ=SPARS 128; OFFSET=SAM; NSAMP=23		Prime + Parallel Group 10-12	[==>]	[4]
	13		(5) NGC4911-PA23 3	ACS/WFC, ACCUM, WFC1-FIX	F814W	CR-SPLIT=2; GAIN=2	POS TARG 0.08,0.0 4	Prime + Parallel Group 13-15	2400.0 Secs [==>1251.0 Secs (Split 1)] [==>1251.0 Secs (Split 2)]	[5]
	14		ANY	WFPC2, IMAGE, WFALL	F450W	CLOCKS=YES; CR-SPLIT=DEF		Prime + Parallel Group 13-15	2500.0 Secs [==>1300.0 Secs (Split 1)] [==>1200.0 Secs (Split 2)]	[5]
	15		ANY	NIC3, MULTIACCUM, NIC3-FIX	F110W	SAMP-SEQ=SPARS 128; OFFSET=SAM; NSAMP=23		Prime + Parallel Group 13-15	[==>]	[5]











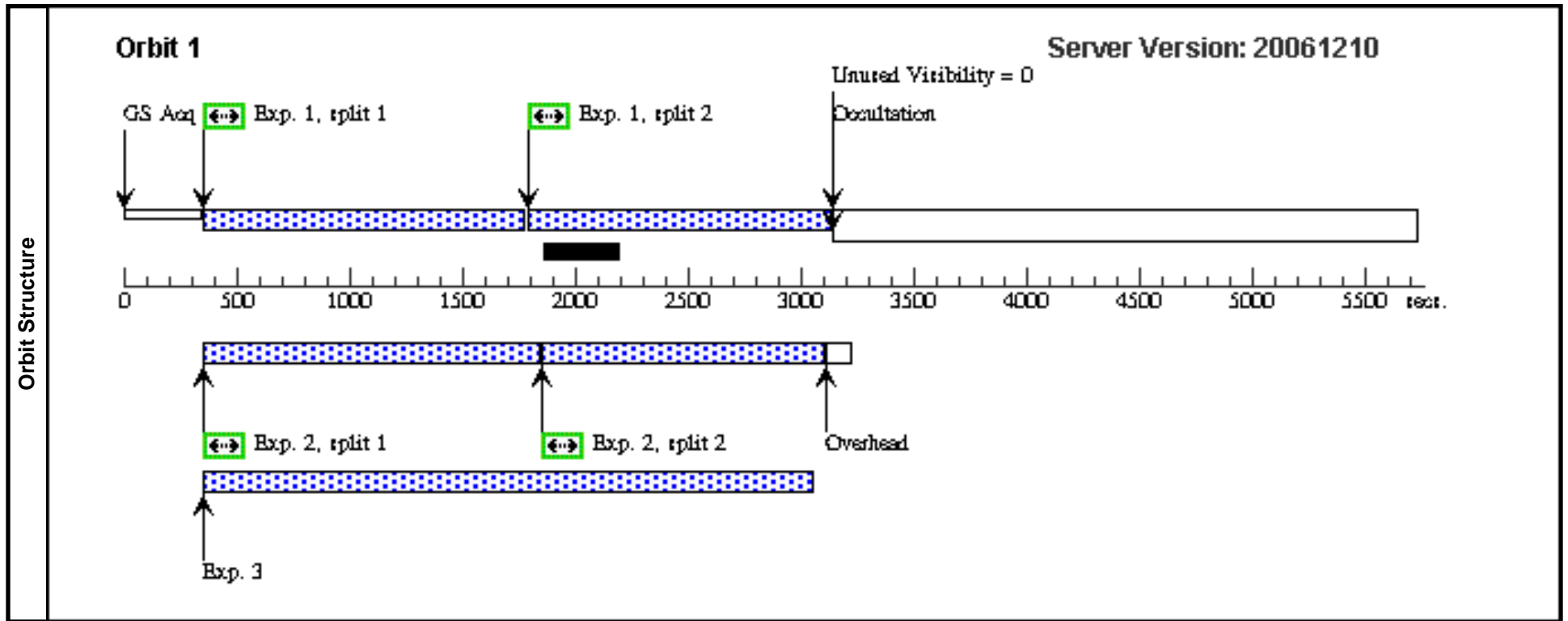
Proposal 10842 - Visit AB - A Cepheid Distance to the Coma Cluster

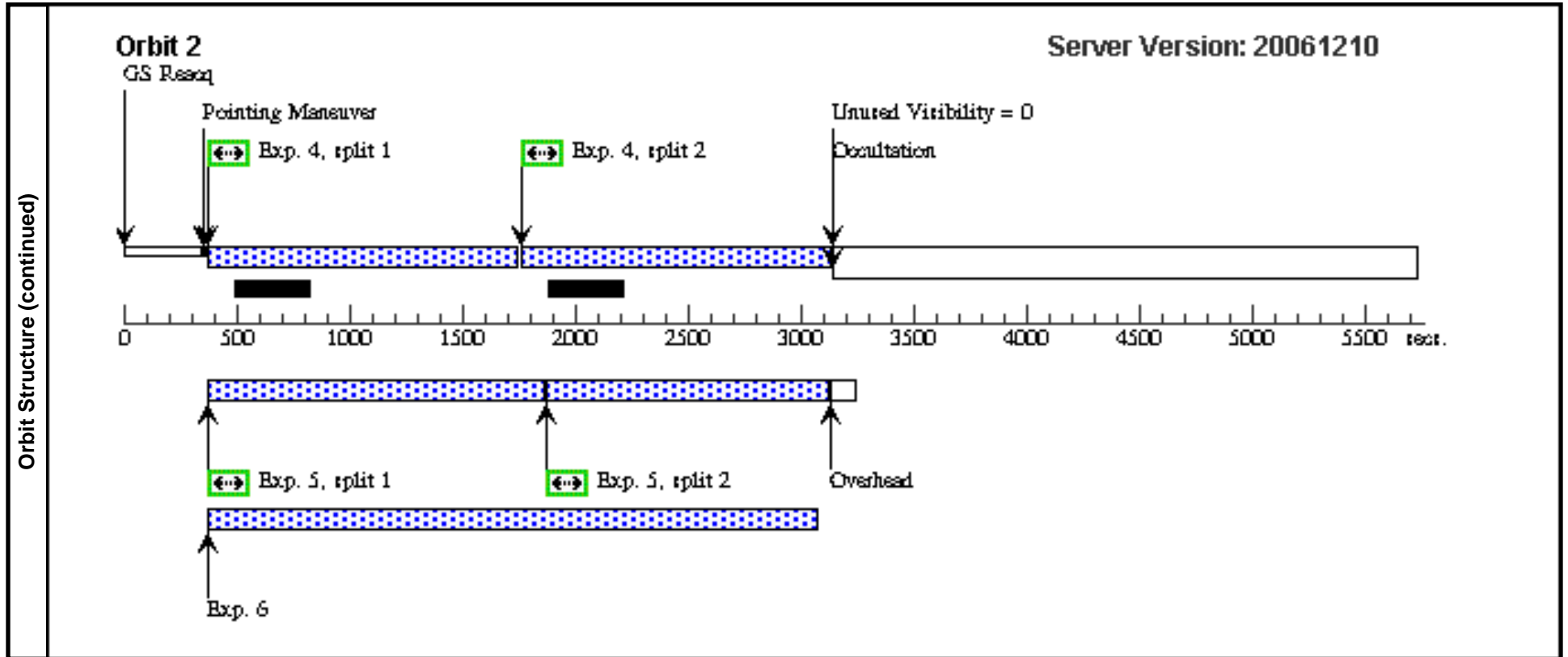
Fri Jan 19 02:15:17 GMT 2007

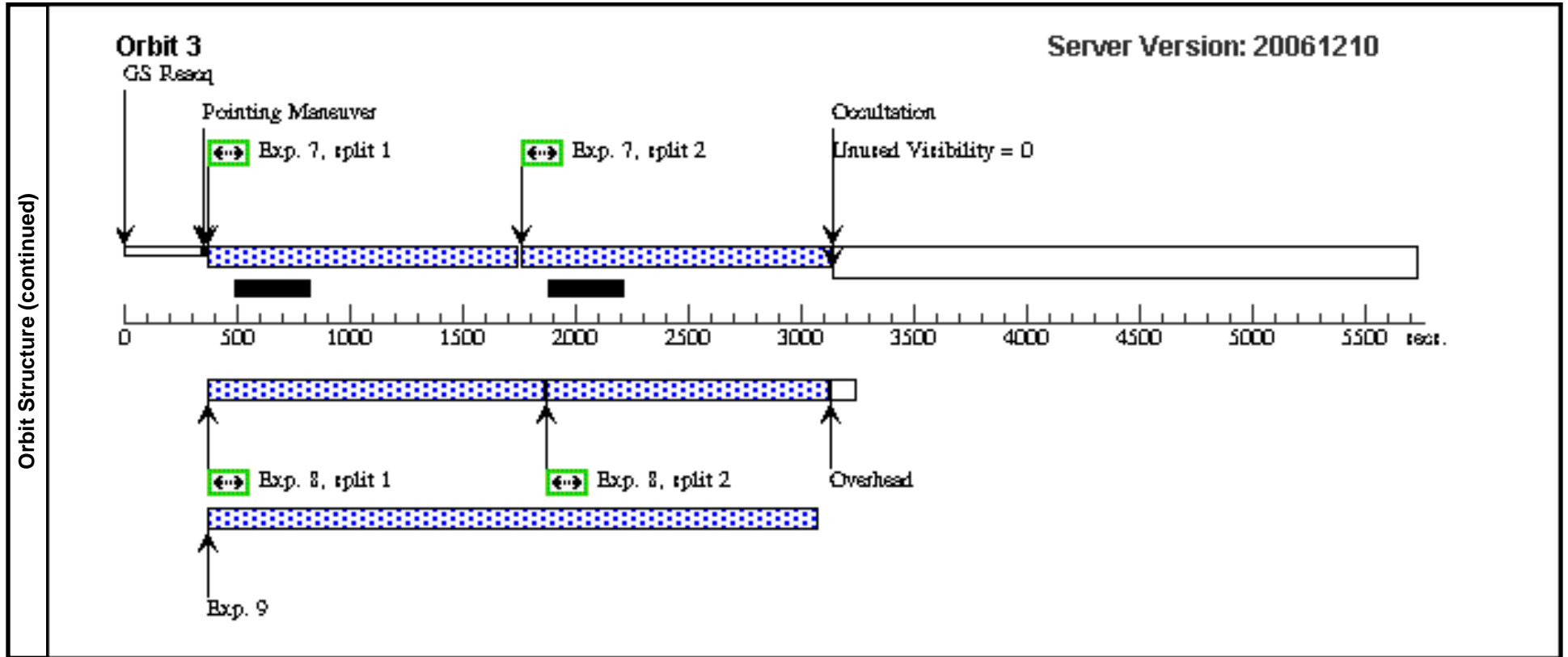
Visit		Proposal 10842, Visit AB, scheduling Diagnostic Status: No Diagnostics Scientific Instruments: ACS/WFC, WFPC2, NIC3 Special Requirements: PCS MODE FINE; SAME ORIENT AS A9; AFTER A1 BY 85.1 D TO 85.9 D									
Fixed Targets	#	Name	Target Coordinates	Targ. Coord. Corrections	Fluxes	Miscellaneous					
		(5)	NGC4911-PA233	RA: 13 00 56.0800 (195.2336667d) Dec: +27 47 6.00 (27.78500d) Equinox: J2000		V=13.0	Reference Frame: ICRS				
Exposures	#	Label	Target	Config,Mode,Aperture	Spectral Els.	Opt. Params.	Special Reqs.	Groups	Exp. Time/[Actual Dur.]	Orbit	
	1		(5) NGC4911-PA23 3	ACS/WFC, ACCUM, WFC1-FIX	F606W	CR-SPLIT=2; GAIN=2	POS TARG 0.025,0. 05	Prime + Parallel Group up 1-3	2400.0 Secs [==>1220.0 Secs (Split 1)] [==>1220.0 Secs (Split 2)]	[1]	
	2		ANY	WFPC2, IMAGE, WFALL	F606W	CLOCKS=YES; CR-SPLIT=DEF		Prime + Parallel Group up 1-3	2400.0 Secs [==>1300.0 Secs (Split 1)] [==>1200.0 Secs (Split 2)]	[1]	
	3		ANY	NIC3, MULTIACCUM, NIC3-FIX	F160W	SAMP-SEQ=SPARS 128; OFFSET=SAM; NSAMP=23		Prime + Parallel Group up 1-3	[==>]	[1]	
	4		(5) NGC4911-PA23 3	ACS/WFC, ACCUM, WFC1-FIX	F606W	CR-SPLIT=2; GAIN=2	POS TARG -0.04,0. 18	Prime + Parallel Group up 4-6	2400.0 Secs [==>1251.0 Secs (Split 1)] [==>1251.0 Secs (Split 2)]	[2]	
	5		ANY	WFPC2, IMAGE, WFALL	F814W	CLOCKS=YES; CR-SPLIT=DEF		Prime + Parallel Group up 4-6	2400.0 Secs [==>1300.0 Secs (Split 1)] [==>1200.0 Secs (Split 2)]	[2]	
	6		ANY	NIC3, MULTIACCUM, NIC3-FIX	F110W	SAMP-SEQ=SPARS 128; OFFSET=SAM; NSAMP=23		Prime + Parallel Group up 4-6	[==>]	[2]	
	7		(5) NGC4911-PA23 3	ACS/WFC, ACCUM, WFC1-FIX	F606W	CR-SPLIT=2; GAIN=2	POS TARG -0.105,- 0.015	Prime + Parallel Group up 7-9	2400.0 Secs [==>1251.0 Secs (Split 1)] [==>1251.0 Secs (Split 2)]	[3]	
8		ANY	WFPC2, IMAGE, WFALL	F814W	CLOCKS=YES; CR-SPLIT=DEF		Prime + Parallel Group up 7-9	2400.0 Secs [==>1300.0 Secs (Split 1)] [==>1200.0 Secs (Split 2)]	[3]		

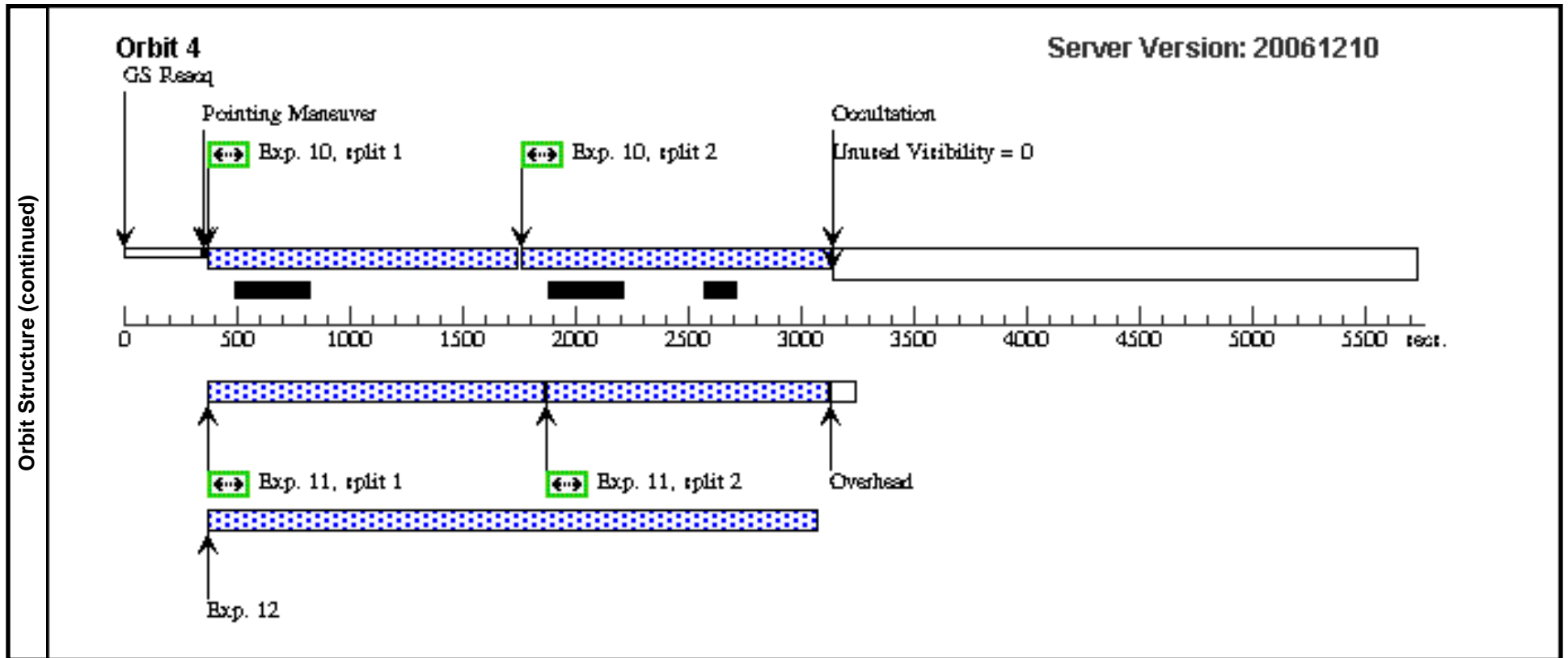
Proposal 10842 - Visit AB - A Cepheid Distance to the Coma Cluster

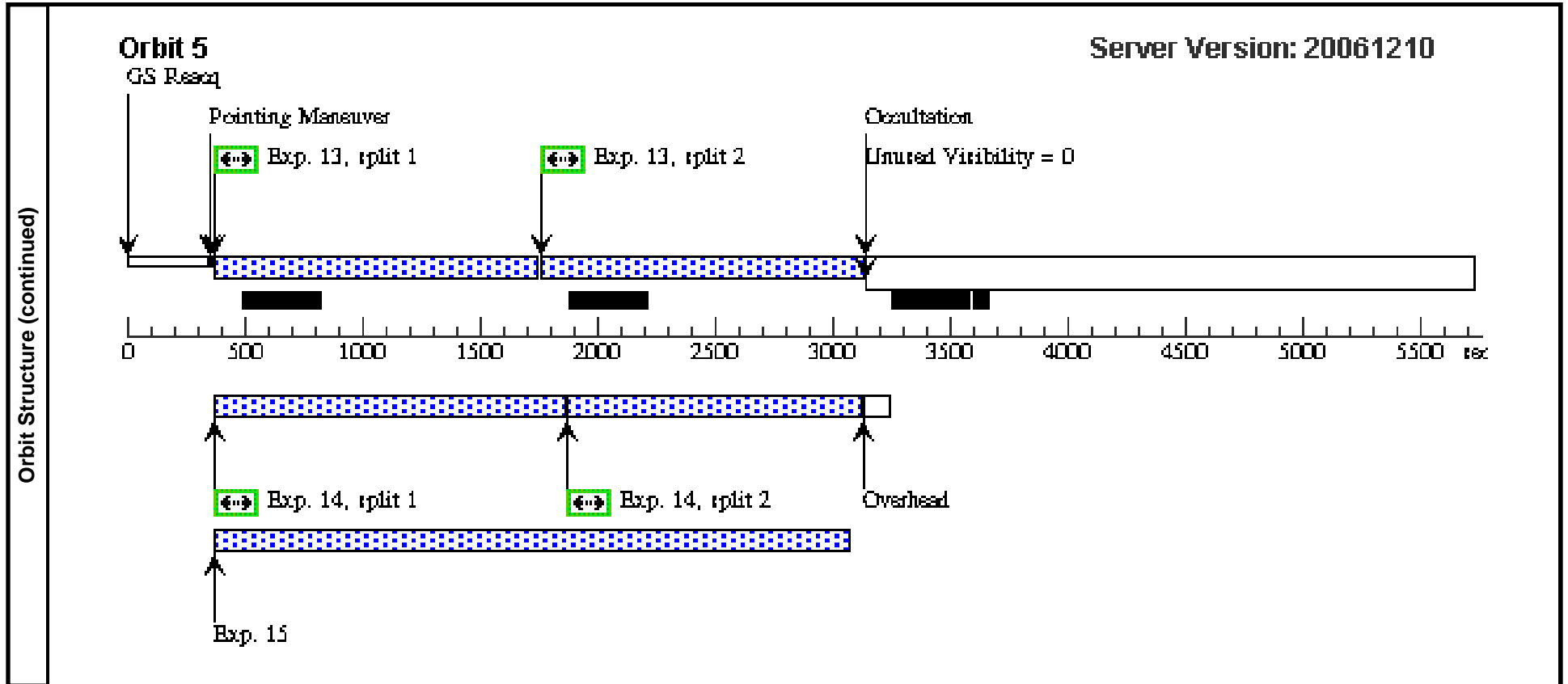
Exposures (continued)	#	Label	Target	Config,Mode,Aperture	Spectral Els.	Opt. Params.	Special Reqs.	Groups	Exp. Time/[Actual Dur.]	Orbit
	9		ANY	NIC3, MULTIACCUM, NIC3-FIX	F160W	SAMP-SEQ=SPARS 128; OFFSET=SAM; NSAMP=23		Prime + Parallel Group 7-9	[==>]	[3]
	10		(5) NGC4911-PA23 3	ACS/WFC, ACCUM, WFC1-FIX	F606W	CR-SPLIT=2; GAIN=2	POS TARG 0.09,-0.08	Prime + Parallel Group 10-12	2400.0 Secs [==>1251.0 Secs (Split 1)] [==>1251.0 Secs (Split 2)]	[4]
	11		ANY	WFPC2, IMAGE, WFALL	F450W	CLOCKS=YES; CR-SPLIT=DEF		Prime + Parallel Group 10-12	2400.0 Secs [==>1300.0 Secs (Split 1)] [==>1200.0 Secs (Split 2)]	[4]
	12		ANY	NIC3, MULTIACCUM, NIC3-FIX	F110W	SAMP-SEQ=SPARS 128; OFFSET=SAM; NSAMP=23		Prime + Parallel Group 10-12	[==>]	[4]
	13		(5) NGC4911-PA23 3	ACS/WFC, ACCUM, WFC1-FIX	F606W	CR-SPLIT=2; GAIN=2	POS TARG 0.155,0.115	Prime + Parallel Group 13-15	2400.0 Secs [==>1251.0 Secs (Split 1)] [==>1251.0 Secs (Split 2)]	[5]
	14		ANY	WFPC2, IMAGE, WFALL	F450W	CLOCKS=YES; CR-SPLIT=DEF		Prime + Parallel Group 13-15	2400.0 Secs [==>1300.0 Secs (Split 1)] [==>1200.0 Secs (Split 2)]	[5]
	15		ANY	NIC3, MULTIACCUM, NIC3-FIX	F110W	SAMP-SEQ=SPARS 128; OFFSET=SAM; NSAMP=23		Prime + Parallel Group 13-15	[==>]	[5]











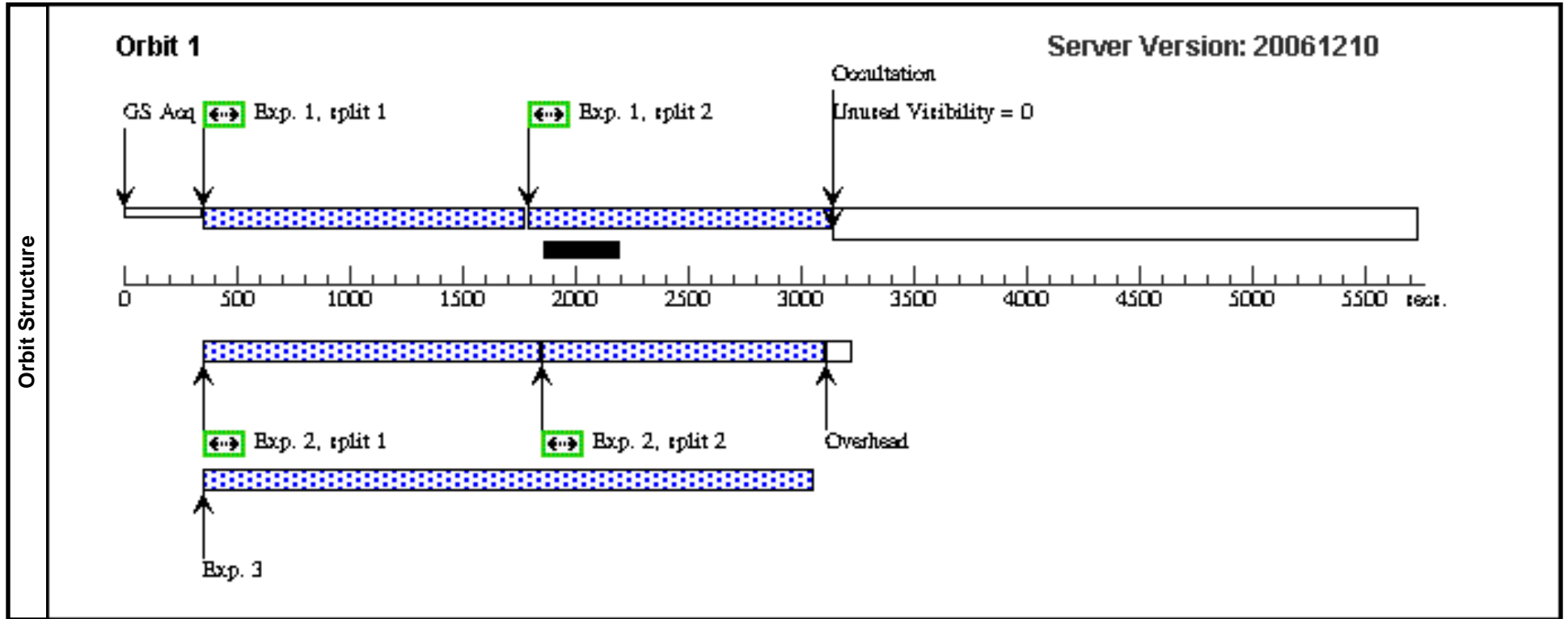
Proposal 10842 - Visit AC - A Cepheid Distance to the Coma Cluster

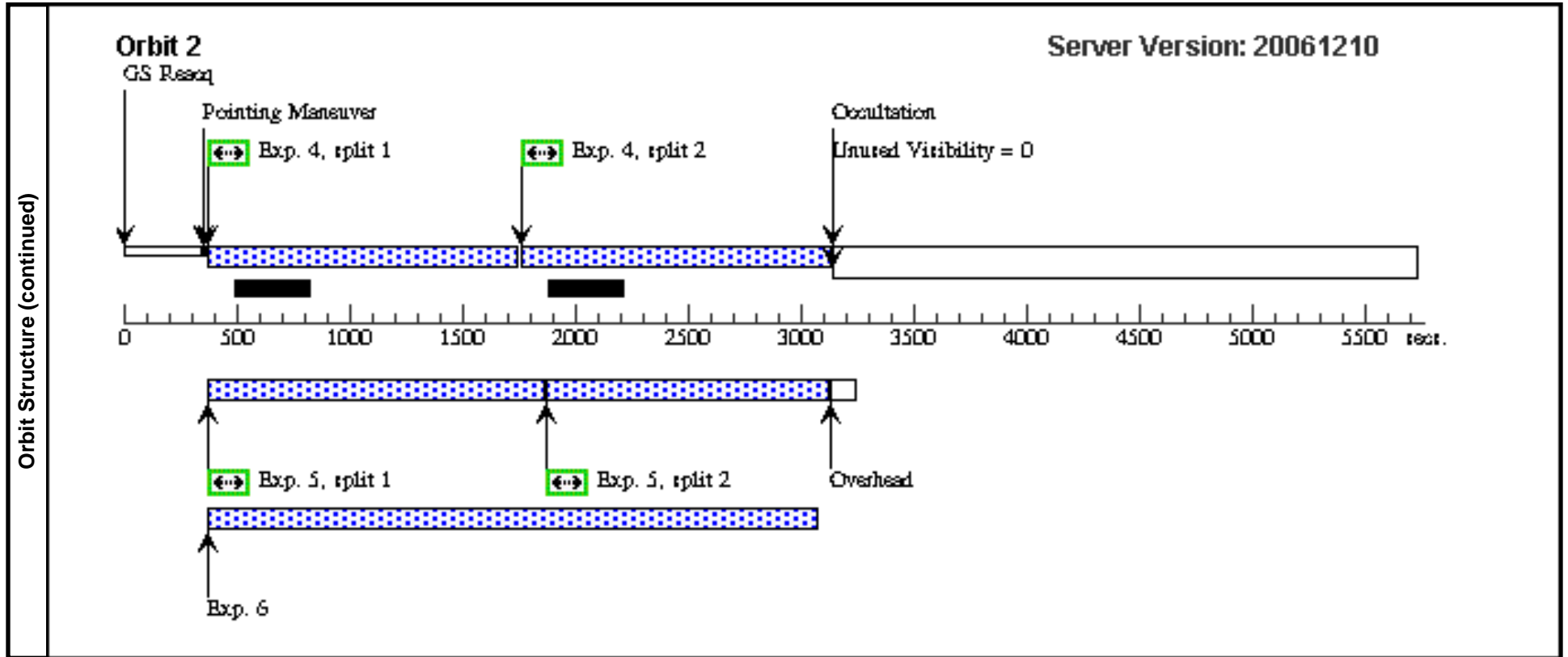
Fri Jan 19 02:15:18 GMT 2007

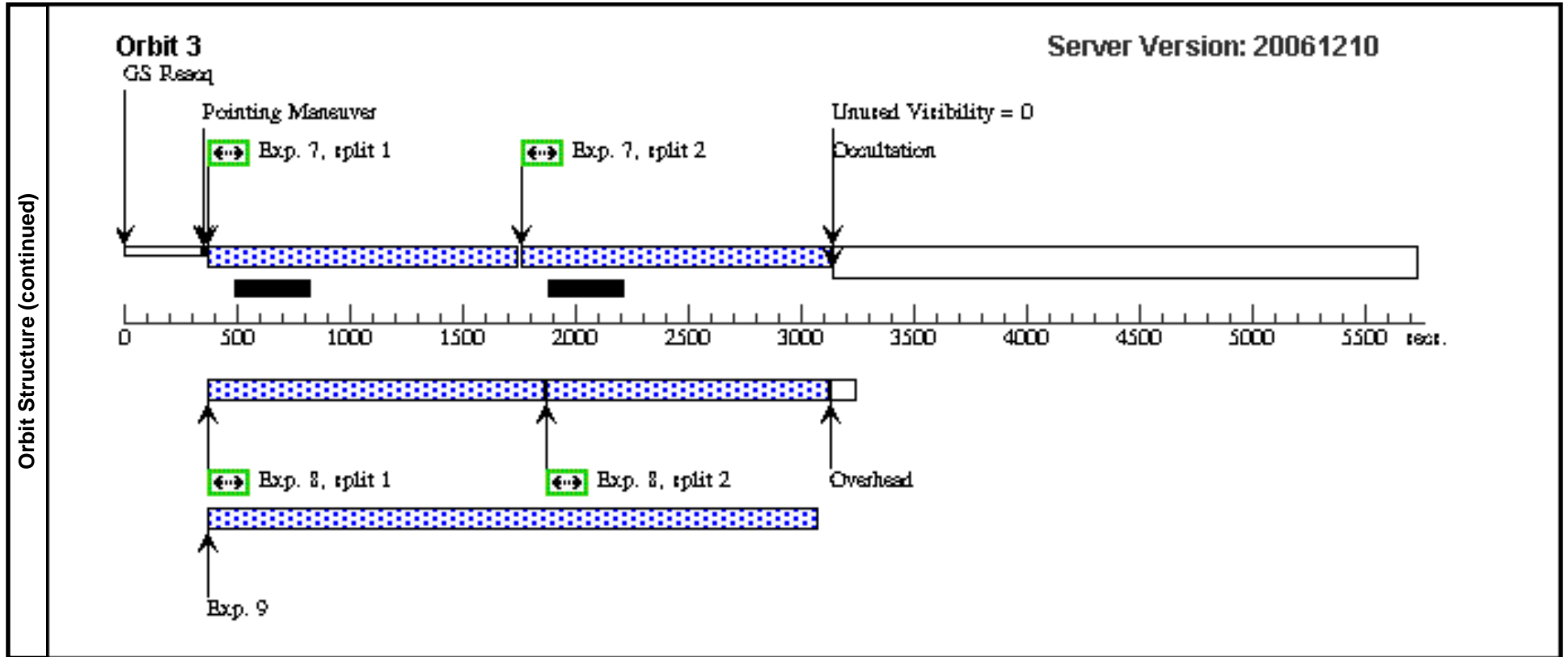
Visit	Proposal 10842, Visit AC, scheduling Diagnostic Status: No Diagnostics Scientific Instruments: ACS/WFC, WFPC2, NIC3 Special Requirements: PCS MODE FINE; SAME ORIENT AS A9; AFTER A1 BY 89.9 D TO 90.3 D									
	Fixed Targets	#	Name	Target Coordinates	Targ. Coord.	Corrections	Fluxes	Miscellaneous		
	(5)	NGC4911-PA233	RA: 13 00 56.0800 (195.2336667d) Dec: +27 47 6.00 (27.78500d) Equinox: J2000			V=13.0	Reference Frame: ICRS			
Exposures	#	Label	Target	Config,Mode,Aperture	Spectral Els.	Opt. Params.	Special Reqs.	Groups	Exp. Time/[Actual Dur.]	Orbit
	1		(5) NGC4911-PA23 3	ACS/WFC, ACCUM, WFC1-FIX	F606W	CR-SPLIT=2; GAIN=2	POS TARG -0.05,-0.025	Prime + Parallel Group 1-3	2400.0 Secs [==>1220.0 Secs (Split 1)] [==>1220.0 Secs (Split 2)]	[1]
	2		ANY	WFPC2, IMAGE, WFALL	F606W	CLOCKS=YES; CR-SPLIT=DEF		Prime + Parallel Group 1-3	2400.0 Secs [==>1300.0 Secs (Split 1)] [==>1200.0 Secs (Split 2)]	[1]
	3		ANY	NIC3, MULTIACCUM, NIC3-FIX	F160W	SAMP-SEQ=SPARS 128; OFFSET=SAM; NSAMP=23		Prime + Parallel Group 1-3	[==>]	[1]
	4		(5) NGC4911-PA23 3	ACS/WFC, ACCUM, WFC1-FIX	F606W	CR-SPLIT=2; GAIN=2	POS TARG -0.115,0.105	Prime + Parallel Group 4-6	2400.0 Secs [==>1251.0 Secs (Split 1)] [==>1251.0 Secs (Split 2)]	[2]
	5		ANY	WFPC2, IMAGE, WFALL	F814W	CLOCKS=YES; CR-SPLIT=DEF		Prime + Parallel Group 4-6	2400.0 Secs [==>1300.0 Secs (Split 1)] [==>1200.0 Secs (Split 2)]	[2]
	6		ANY	NIC3, MULTIACCUM, NIC3-FIX	F110W	SAMP-SEQ=SPARS 128; OFFSET=SAM; NSAMP=23		Prime + Parallel Group 4-6	[==>]	[2]
	7		(5) NGC4911-PA23 3	ACS/WFC, ACCUM, WFC1-FIX	F606W	CR-SPLIT=2; GAIN=2	POS TARG -0.18,-0.09	Prime + Parallel Group 7-9	2400.0 Secs [==>1251.0 Secs (Split 1)] [==>1251.0 Secs (Split 2)]	[3]
8		ANY	WFPC2, IMAGE, WFALL	F814W	CLOCKS=YES; CR-SPLIT=DEF		Prime + Parallel Group 7-9	2400.0 Secs [==>1300.0 Secs (Split 1)] [==>1200.0 Secs (Split 2)]	[3]	

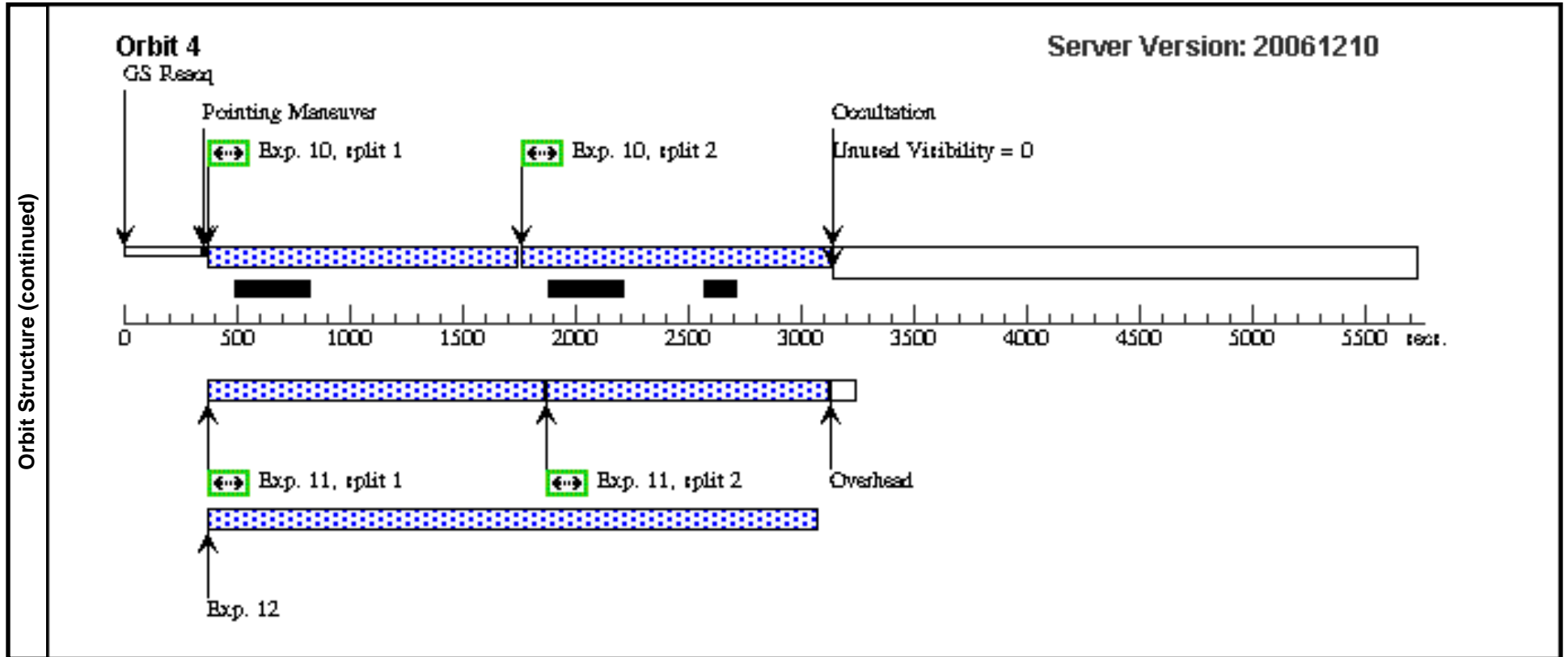
Proposal 10842 - Visit AC - A Cepheid Distance to the Coma Cluster

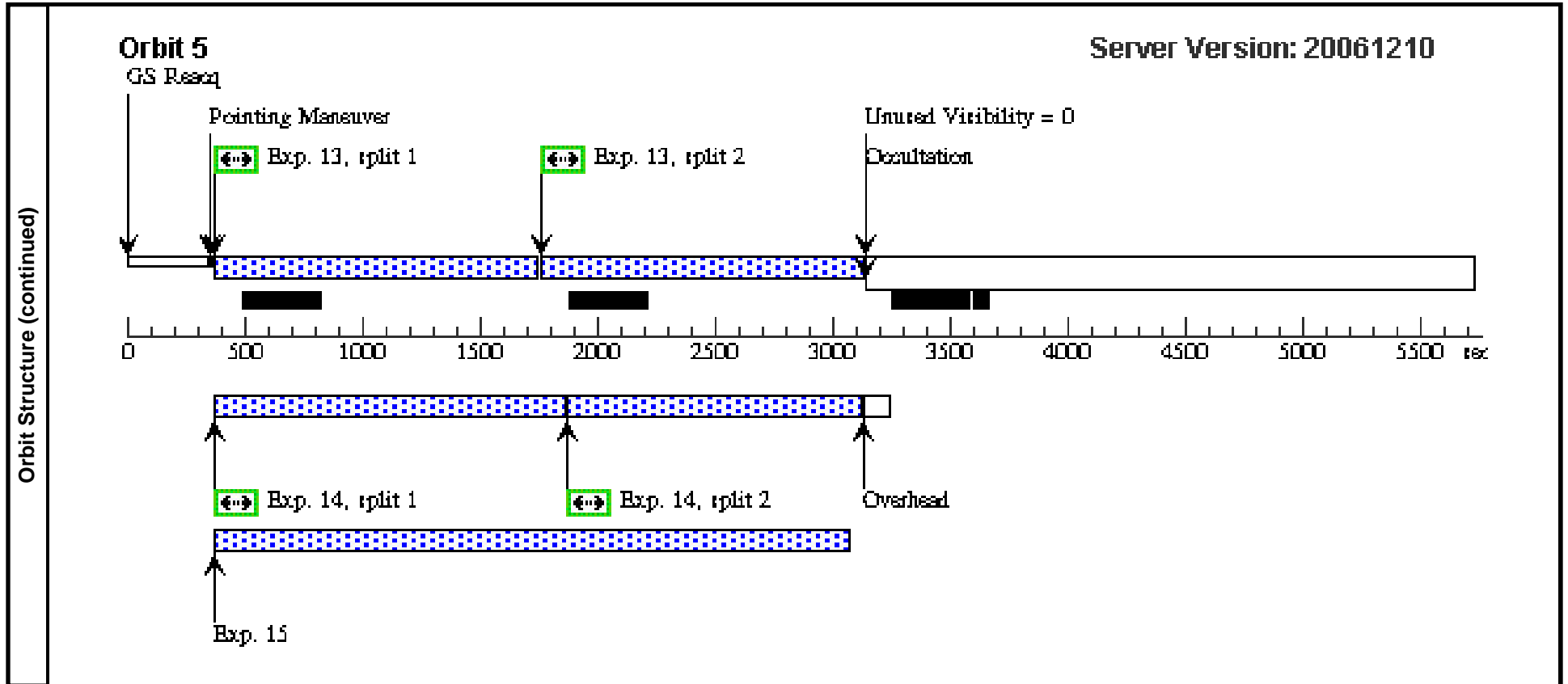
Exposures (continued)	#	Label	Target	Config,Mode,Aperture	Spectral Els.	Opt. Params.	Special Reqs.	Groups	Exp. Time/[Actual Dur.]	Orbit
	9		ANY	NIC3, MULTIACCUM, NIC3-FIX	F160W	SAMP-SEQ=SPARS 128; OFFSET=SAM; NSAMP=23		Prime + Parallel Group 7-9	[==>]	[3]
	10		(5) NGC4911-PA23 3	ACS/WFC, ACCUM, WFC1-FIX	F606W	CR-SPLIT=2; GAIN=2	POS TARG 0.015,-0 .155	Prime + Parallel Group 10-12	2400.0 Secs [==>1251.0 Secs (Split 1)] [==>1251.0 Secs (Split 2)]	[4]
	11		ANY	WFPC2, IMAGE, WFALL	F450W	CLOCKS=YES; CR-SPLIT=DEF		Prime + Parallel Group 10-12	2400.0 Secs [==>1300.0 Secs (Split 1)] [==>1200.0 Secs (Split 2)]	[4]
	12		ANY	NIC3, MULTIACCUM, NIC3-FIX	F110W	SAMP-SEQ=SPARS 128; OFFSET=SAM; NSAMP=23		Prime + Parallel Group 10-12	[==>]	[4]
	13		(5) NGC4911-PA23 3	ACS/WFC, ACCUM, WFC1-FIX	F606W	CR-SPLIT=2; GAIN=2	POS TARG 0.08,0.0 4	Prime + Parallel Group 13-15	2400.0 Secs [==>1251.0 Secs (Split 1)] [==>1251.0 Secs (Split 2)]	[5]
	14		ANY	WFPC2, IMAGE, WFALL	F450W	CLOCKS=YES; CR-SPLIT=DEF		Prime + Parallel Group 13-15	2400.0 Secs [==>1300.0 Secs (Split 1)] [==>1200.0 Secs (Split 2)]	[5]
	15		ANY	NIC3, MULTIACCUM, NIC3-FIX	F110W	SAMP-SEQ=SPARS 128; OFFSET=SAM; NSAMP=23		Prime + Parallel Group 13-15	[==>]	[5]











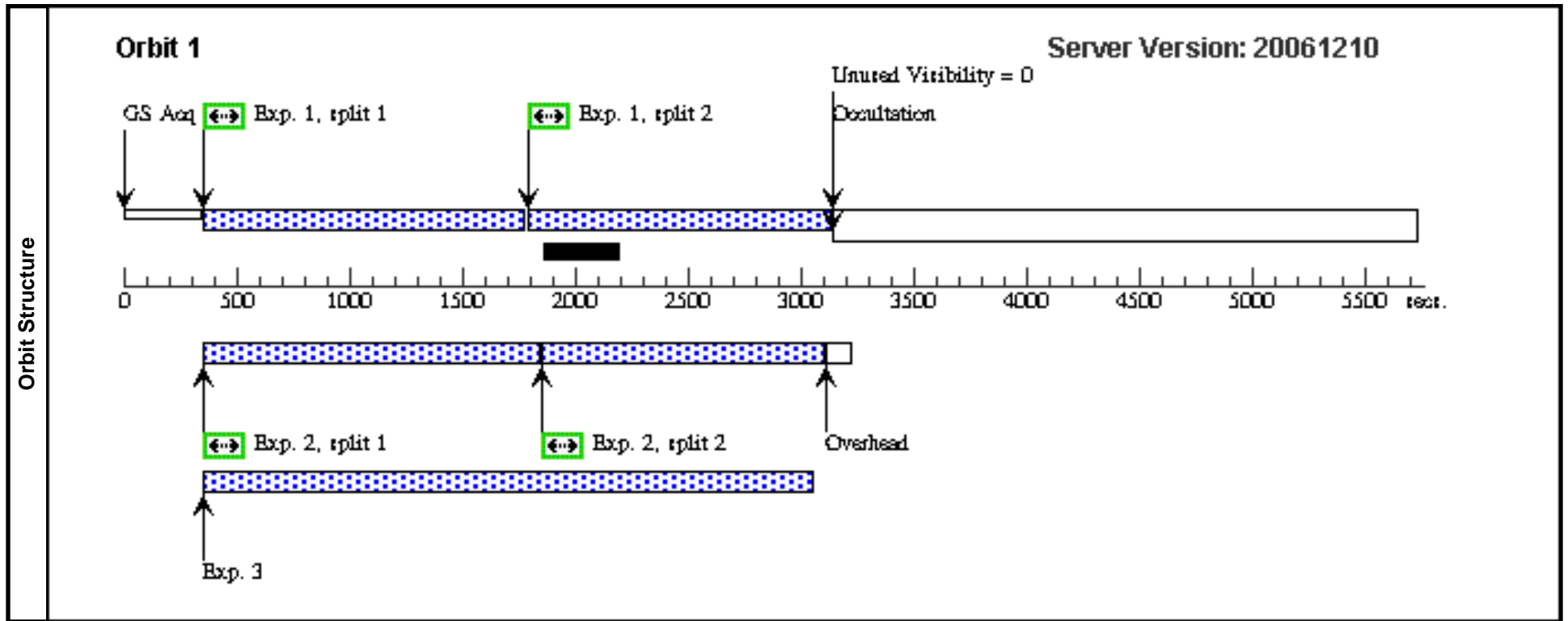
Proposal 10842 - Visit B1 - A Cepheid Distance to the Coma Cluster

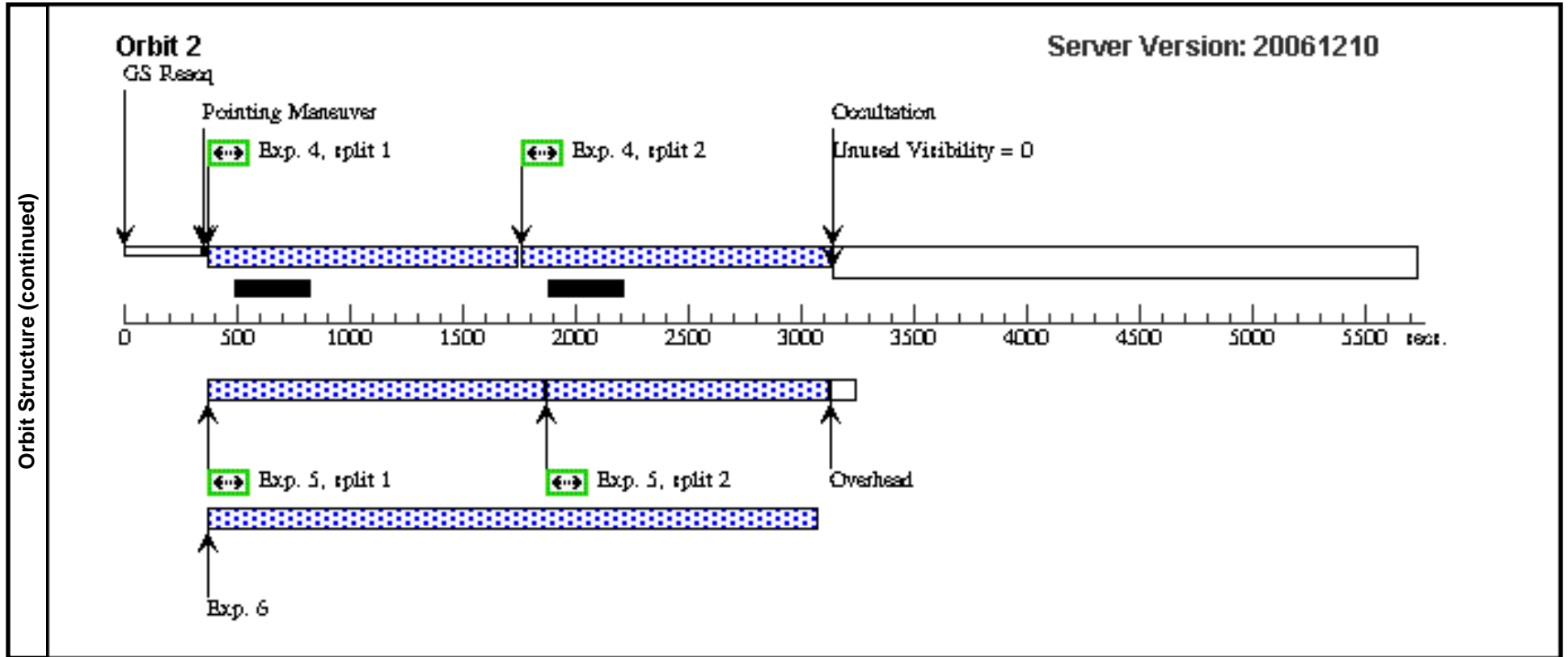
Fri Jan 19 02:15:19 GMT 2007

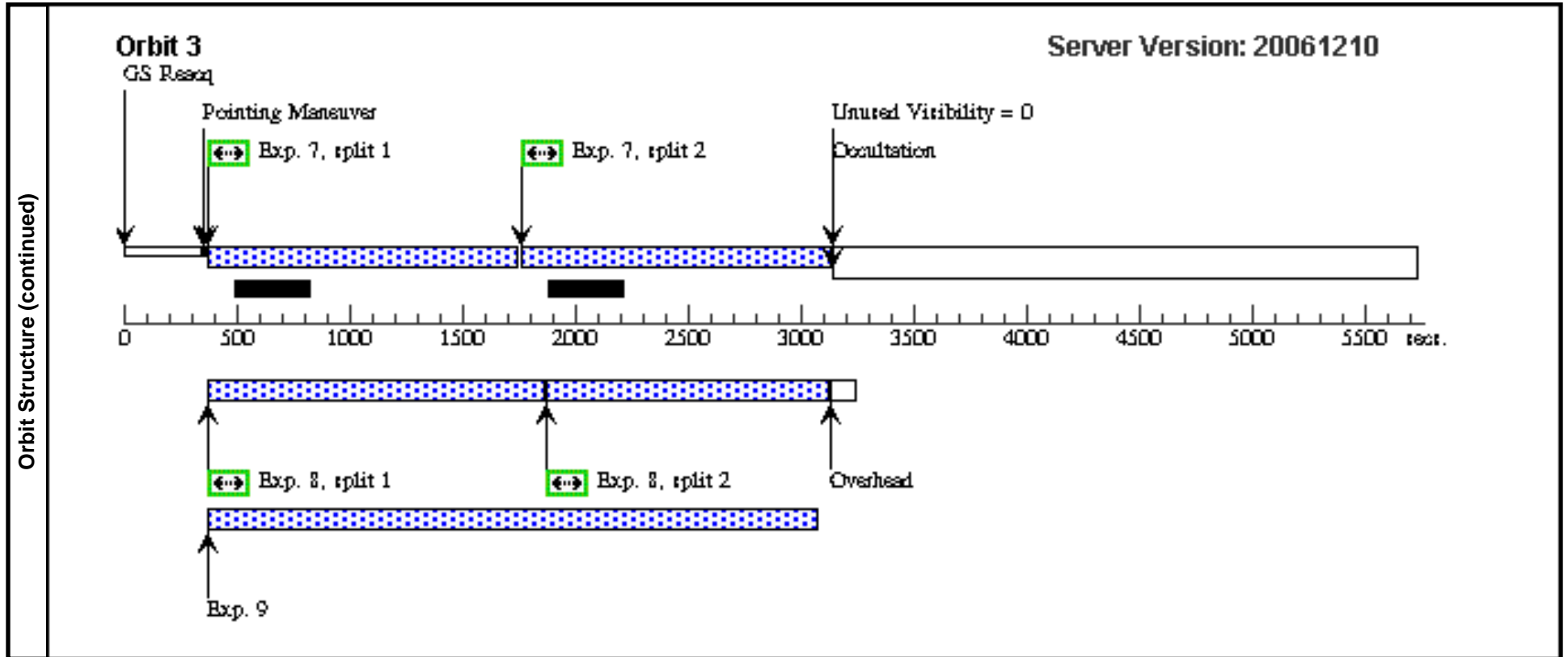
Visit	Proposal 10842, Visit B1, completed Diagnostic Status: No Diagnostics Scientific Instruments: ACS/WFC, WFPC2, NIC3 Special Requirements: PCS MODE FINE; ORIENT 299.0D TO 299.0 D; BETWEEN 11-DEC-2006:00:00:00 AND 23-DEC-2006:00:00:00									
	Fixed Targets	#	Name	Target Coordinates	Targ. Coord.	Corrections	Fluxes	Miscellaneous		
	(6)	NGC4921-PA299	RA: 13 01 26.0000 (195.3583333d) Dec: +27 53 10.00 (27.88611d) Equinox: J2000			V=13.0	Reference Frame: ICRS			
Exposures	#	Label	Target	Config,Mode,Aperture	Spectral Els.	Opt. Params.	Special Reqs.	Groups	Exp. Time/[Actual Dur.]	Orbit
	1		(6) NGC4921-PA299	ACS/WFC, ACCUM, WFC-FIX	F606W	CR-SPLIT=2; GAIN=2		Prime + Parallel Group 1-3	2400.0 Secs [==>1220.0 Secs (Split 1)] [==>1220.0 Secs (Split 2)]	[1]
	2		ANY	WFPC2, IMAGE, WFALL	F606W	CLOCKS=YES; CR-SPLIT=DEF		Prime + Parallel Group 1-3	2400.0 Secs [==>1300.0 Secs (Split 1)] [==>1200.0 Secs (Split 2)]	[1]
	3		ANY	NIC3, MULTIACCUM, NIC3-FIX	F160W	SAMP-SEQ=SPARS 128; OFFSET=SAM; NSAMP=23		Prime + Parallel Group 1-3	[==>]	[1]
	4		(6) NGC4921-PA299	ACS/WFC, ACCUM, WFC-FIX	F606W	CR-SPLIT=2; GAIN=2	POS TARG 0.13,-0.065	Prime + Parallel Group 4-6	2400.0 Secs [==>1251.0 Secs (Split 1)] [==>1251.0 Secs (Split 2)]	[2]
	5		ANY	WFPC2, IMAGE, WFALL	F606W	CLOCKS=YES; CR-SPLIT=DEF		Prime + Parallel Group 4-6	2400.0 Secs [==>1300.0 Secs (Split 1)] [==>1200.0 Secs (Split 2)]	[2]
	6		ANY	NIC3, MULTIACCUM, NIC3-FIX	F110W	SAMP-SEQ=SPARS 128; OFFSET=SAM; NSAMP=23		Prime + Parallel Group 4-6	[==>]	[2]
	7		(6) NGC4921-PA299	ACS/WFC, ACCUM, WFC-FIX	F606W	CR-SPLIT=2; GAIN=2	POS TARG -0.065,-0.13	Prime + Parallel Group 7-9	2400.0 Secs [==>1251.0 Secs (Split 1)] [==>1251.0 Secs (Split 2)]	[3]
8		ANY	WFPC2, IMAGE, WFALL	F814W	CLOCKS=YES; CR-SPLIT=DEF		Prime + Parallel Group 7-9	2400.0 Secs [==>1300.0 Secs (Split 1)] [==>1200.0 Secs (Split 2)]	[3]	

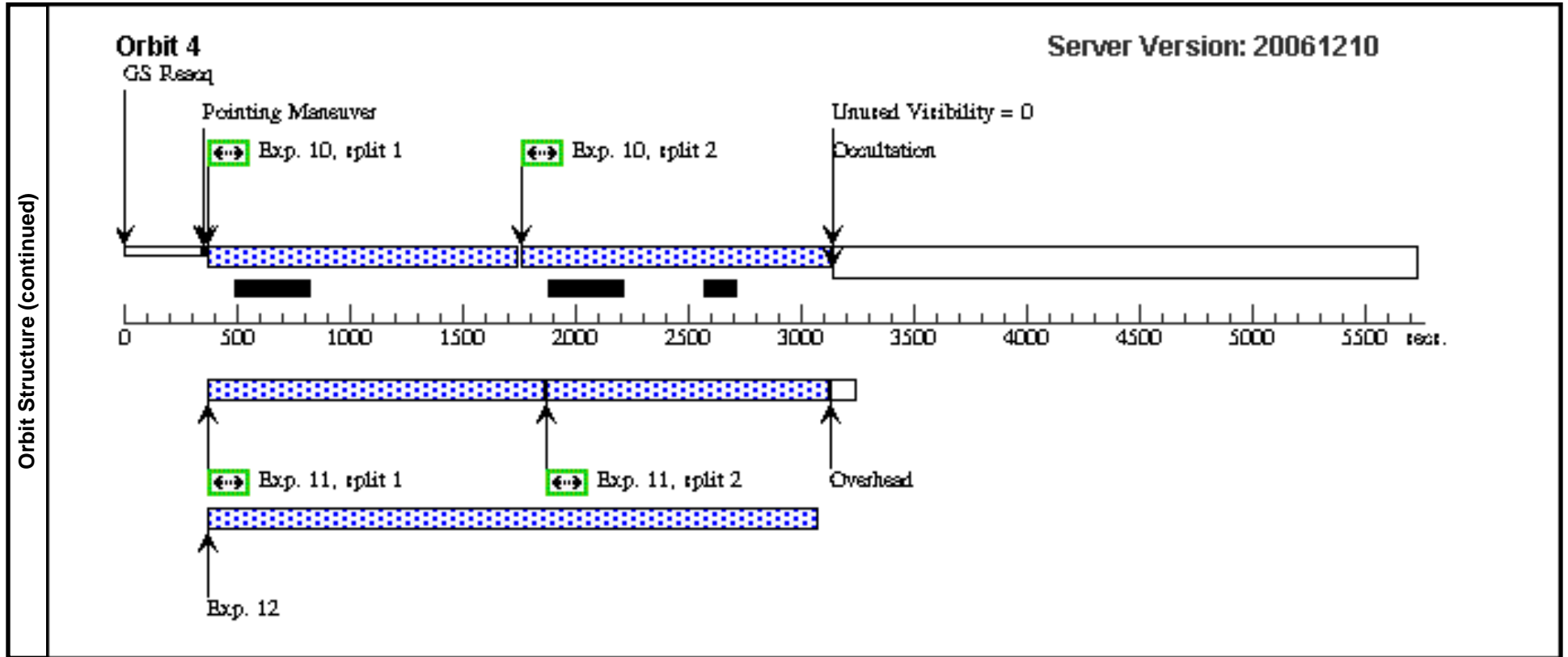
Proposal 10842 - Visit B1 - A Cepheid Distance to the Coma Cluster

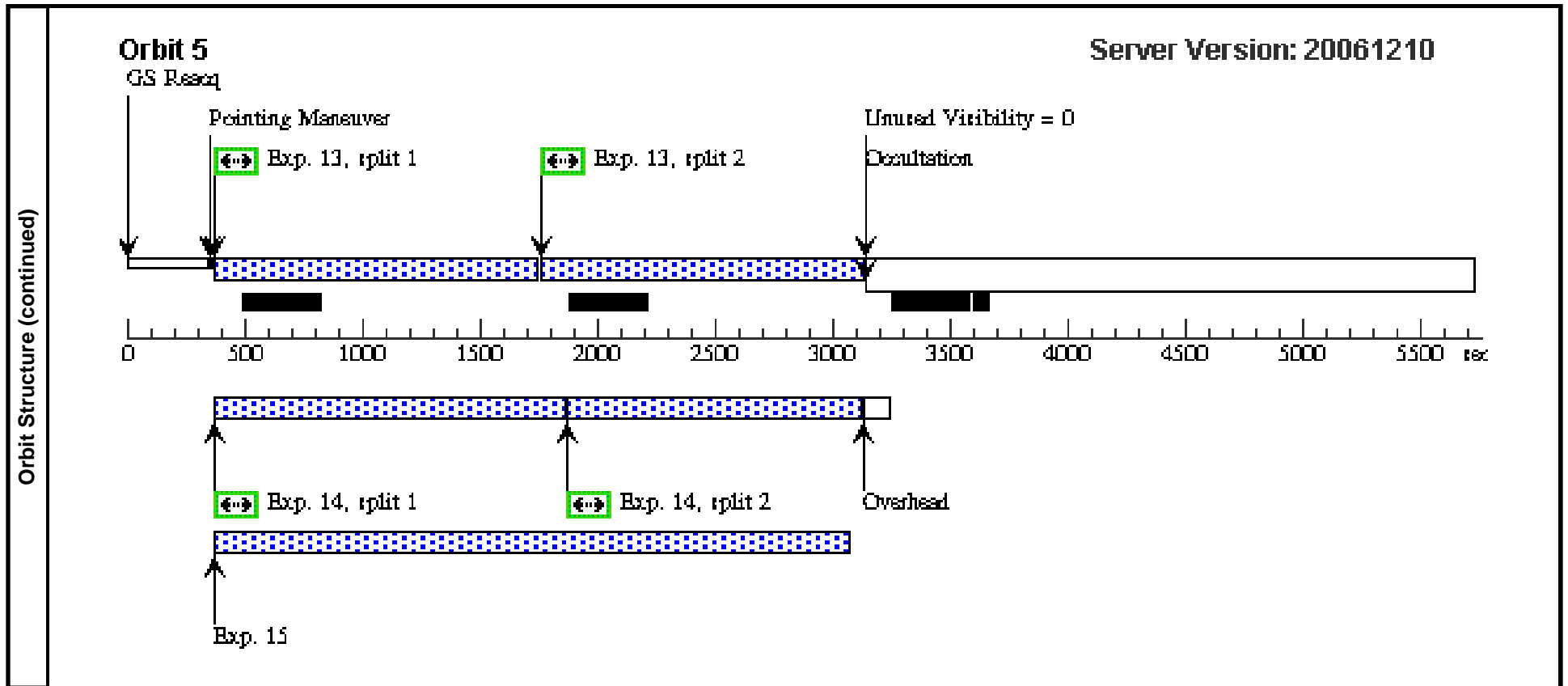
Exposures (continued)	#	Label	Target	Config,Mode,Aperture	Spectral Els.	Opt. Params.	Special Reqs.	Groups	Exp. Time/[Actual Dur.]	Orbit
	9		ANY	NIC3, MULTIACCUM, NIC3-FIX	F160W	SAMP-SEQ=SPARS 128; OFFSET=SAM; NSAMP=23		Prime + Parallel Group 7-9	[==>]	[3]
	10	(6) 9	NGC4921-PA29	ACS/WFC, ACCUM, WFC-FIX	F606W	CR-SPLIT=2; GAIN=2	POS TARG -0.13,0. 065	Prime + Parallel Group 10-12	2400.0 Secs [==>1251.0 Secs (Split 1)] [==>1251.0 Secs (Split 2)]	[4]
	11		ANY	WFPC2, IMAGE, WFALL	F450W	CLOCKS=YES; CR-SPLIT=DEF		Prime + Parallel Group 10-12	2400.0 Secs [==>1300.0 Secs (Split 1)] [==>1200.0 Secs (Split 2)]	[4]
	12		ANY	NIC3, MULTIACCUM, NIC3-FIX	F110W	SAMP-SEQ=SPARS 128; OFFSET=SAM; NSAMP=23		Prime + Parallel Group 10-12	[==>]	[4]
	13	(6) 9	NGC4921-PA29	ACS/WFC, ACCUM, WFC-FIX	F606W	CR-SPLIT=2; GAIN=2	POS TARG 0.065,0. 13	Prime + Parallel Group 13-15	2400.0 Secs [==>1251.0 Secs (Split 1)] [==>1251.0 Secs (Split 2)]	[5]
	14		ANY	WFPC2, IMAGE, WFALL	F450W	CLOCKS=YES; CR-SPLIT=DEF		Prime + Parallel Group 13-15	2400.0 Secs [==>1300.0 Secs (Split 1)] [==>1200.0 Secs (Split 2)]	[5]
	15		ANY	NIC3, MULTIACCUM, NIC3-FIX	F160W	SAMP-SEQ=SPARS 128; OFFSET=SAM; NSAMP=23		Prime + Parallel Group 13-15	[==>]	[5]











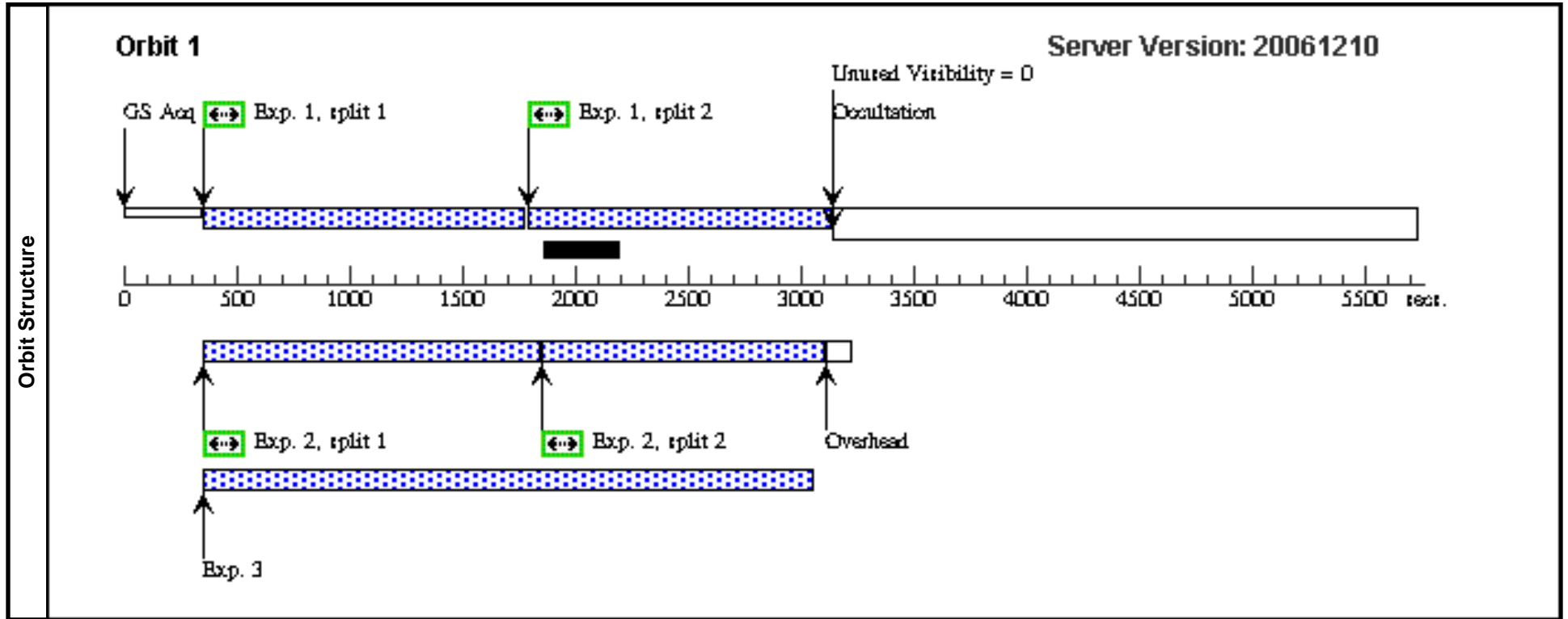
Proposal 10842 - Visit B2 - A Cepheid Distance to the Coma Cluster

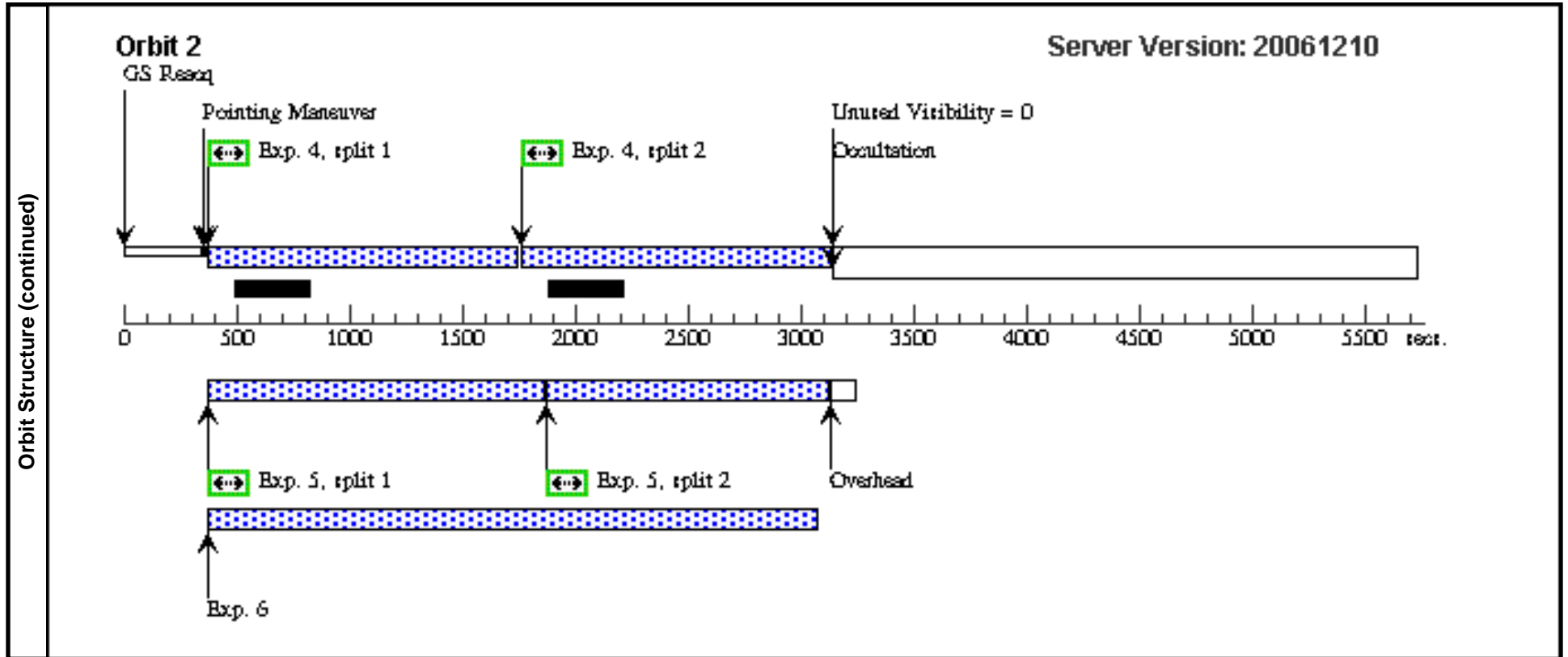
Fri Jan 19 02:15:21 GMT 2007

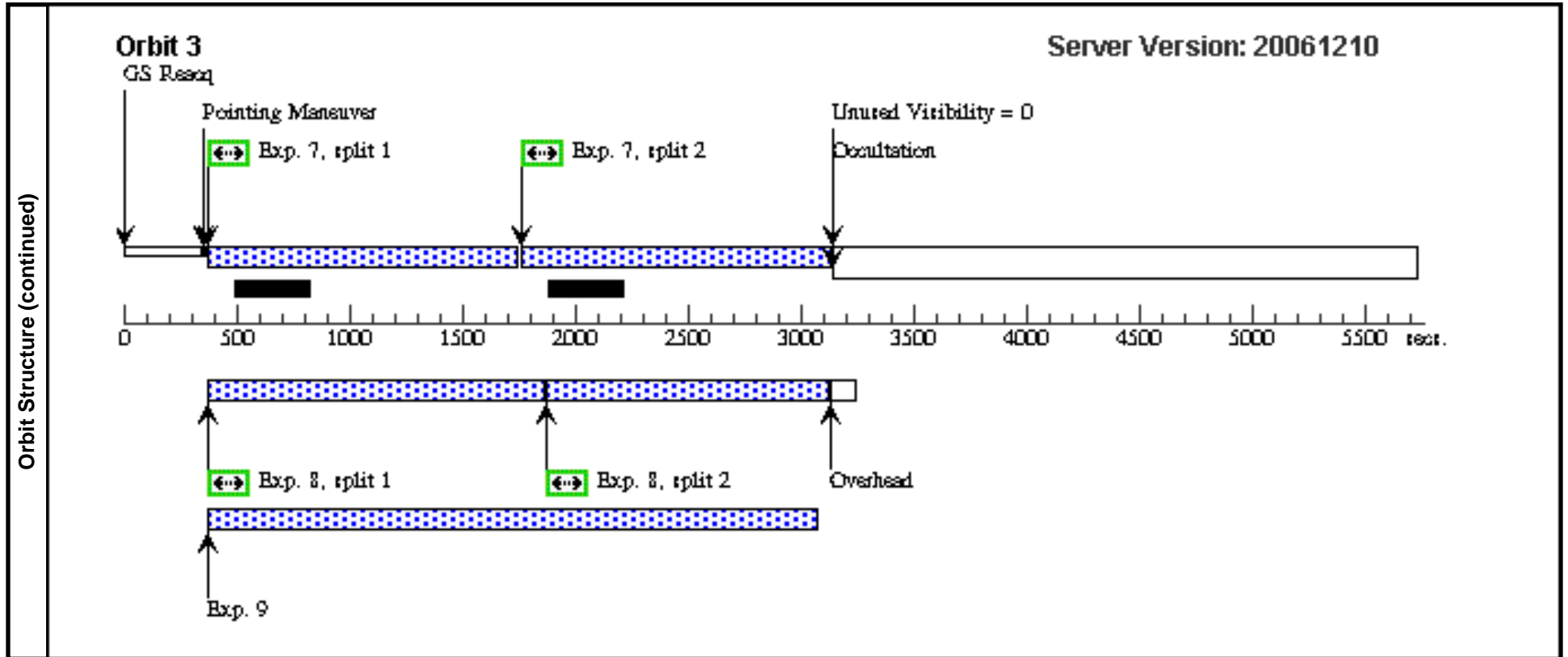
Visit	Proposal 10842, Visit B2, completed Diagnostic Status: No Diagnostics Scientific Instruments: ACS/WFC, WFPC2, NIC3 Special Requirements: PCS MODE FINE; SAME ORIENT AS B1; AFTER B1 BY 6.2 D TO 7 D									
	Fixed Targets	#	Name	Target Coordinates	Targ. Coord. Corrections	Fluxes	Miscellaneous			
	(6)	NGC4921-PA299	RA: 13 01 26.0000 (195.3583333d) Dec: +27 53 10.00 (27.88611d) Equinox: J2000			V=13.0	Reference Frame: ICRS			
Exposures	#	Label	Target	Config,Mode,Aperture	Spectral Els.	Opt. Params.	Special Reqs.	Groups	Exp. Time/[Actual Dur.]	Orbit
	1		(6) NGC4921-PA29 9	ACS/WFC, ACCUM, WFC-FIX	F606W	CR-SPLIT=2; GAIN=2	POS TARG -0.025,0 .025	Prime + Parallel Group 1-3	2400.0 Secs [==>1220.0 Secs (Split 1)] [==>1220.0 Secs (Split 2)]	[1]
	2		ANY	WFPC2, IMAGE, WFALL	F606W	CLOCKS=YES; CR-SPLIT=DEF		Prime + Parallel Group 1-3	2500.0 Secs [==>1300.0 Secs (Split 1)] [==>1200.0 Secs (Split 2)]	[1]
	3		ANY	NIC3, MULTIACCUM, NIC3-FIX	F160W	SAMP-SEQ=SPARS 128; OFFSET=SAM; NSAMP=23		Prime + Parallel Group 1-3	[==>]	[1]
	4		(6) NGC4921-PA29 9	ACS/WFC, ACCUM, WFC-FIX	F606W	CR-SPLIT=2; GAIN=2	POS TARG 0.105,-0 .04	Prime + Parallel Group 4-6	2400.0 Secs [==>1251.0 Secs (Split 1)] [==>1251.0 Secs (Split 2)]	[2]
	5		ANY	WFPC2, IMAGE, WFALL	F606W	CLOCKS=YES; CR-SPLIT=DEF		Prime + Parallel Group 4-6	2500.0 Secs [==>1300.0 Secs (Split 1)] [==>1200.0 Secs (Split 2)]	[2]
	6		ANY	NIC3, MULTIACCUM, NIC3-FIX	F110W	SAMP-SEQ=SPARS 128; OFFSET=SAM; NSAMP=23		Prime + Parallel Group 4-6	[==>]	[2]
	7		(6) NGC4921-PA29 9	ACS/WFC, ACCUM, WFC-FIX	F606W	CR-SPLIT=2; GAIN=2	POS TARG -0.09,-0 105	Prime + Parallel Group 7-9	2400.0 Secs [==>1251.0 Secs (Split 1)] [==>1251.0 Secs (Split 2)]	[3]
8		ANY	WFPC2, IMAGE, WFALL	F814W	CLOCKS=YES; CR-SPLIT=DEF		Prime + Parallel Group 7-9	2500.0 Secs [==>1300.0 Secs (Split 1)] [==>1200.0 Secs (Split 2)]	[3]	

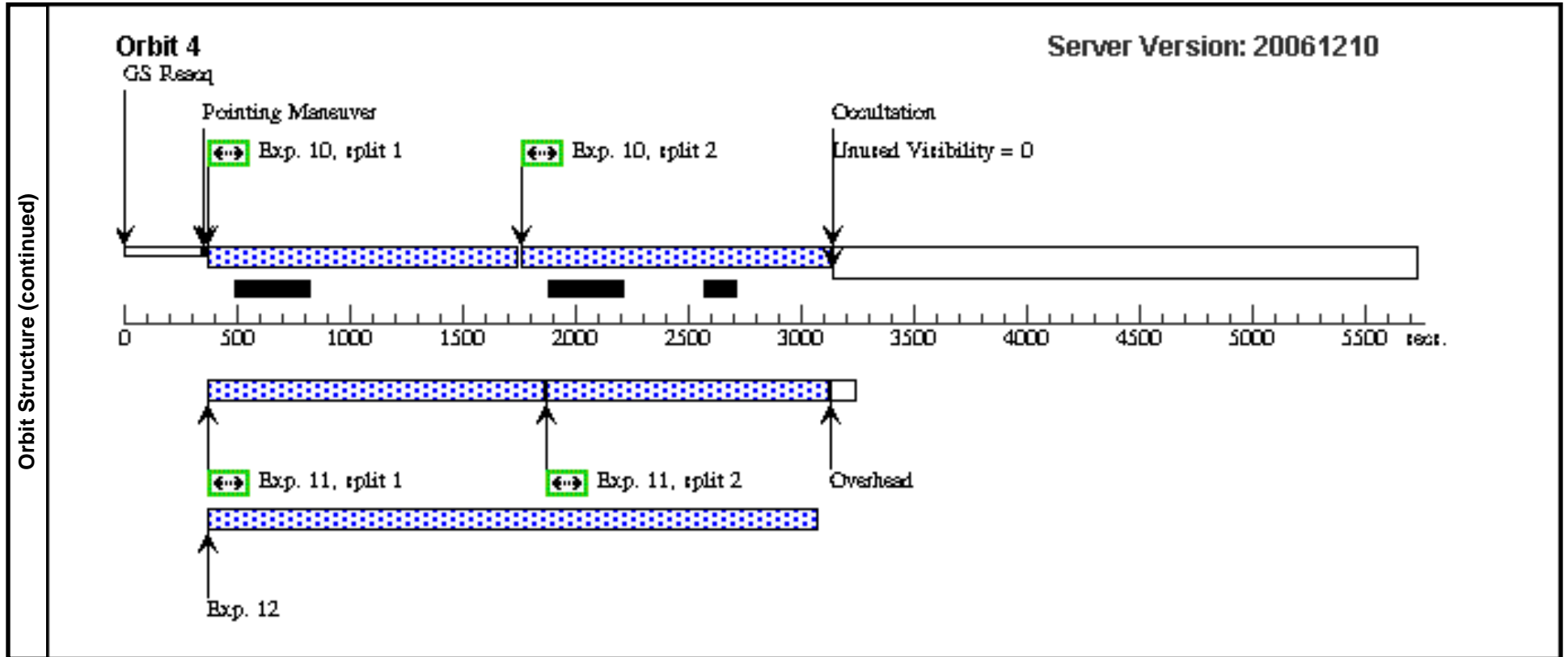
Proposal 10842 - Visit B2 - A Cepheid Distance to the Coma Cluster

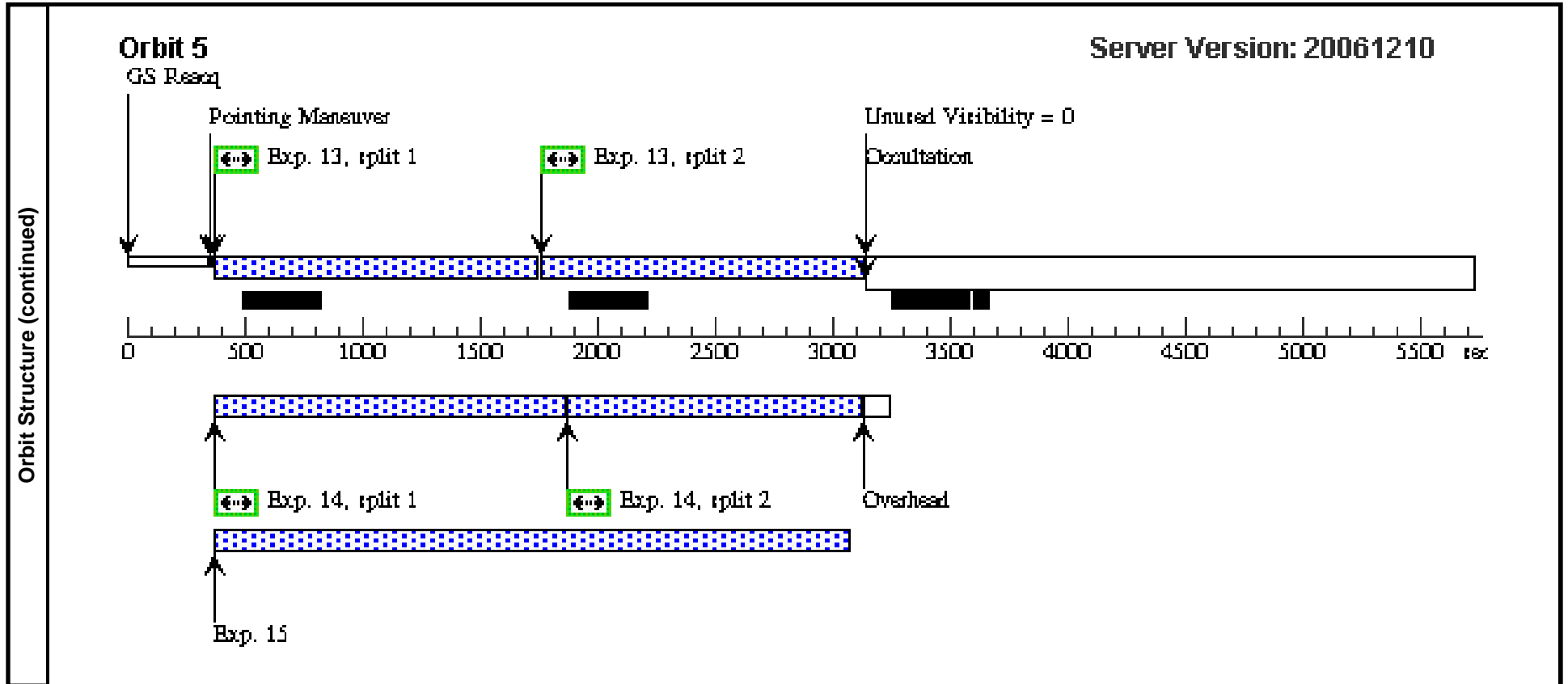
Exposures (continued)	#	Label	Target	Config,Mode,Aperture	Spectral Els.	Opt. Params.	Special Reqs.	Groups	Exp. Time/[Actual Dur.]	Orbit
	9		ANY	NIC3, MULTIACCUM, NIC3-FIX	F160W	SAMP-SEQ=SPARS 128; OFFSET=SAM; NSAMP=23		Prime + Parallel Group 7-9	[==>]	[3]
	10	(6) 9	NGC4921-PA29	ACS/WFC, ACCUM, WFC-FIX	F606W	CR-SPLIT=2; GAIN=2	POS TARG -0.155,0 .09	Prime + Parallel Group 10-12	2400.0 Secs [==>1251.0 Secs (Split 1)] [==>1251.0 Secs (Split 2)]	[4]
	11		ANY	WFPC2, IMAGE, WFALL	F450W	CLOCKS=YES; CR-SPLIT=DEF		Prime + Parallel Group 10-12	2500.0 Secs [==>1300.0 Secs (Split 1)] [==>1200.0 Secs (Split 2)]	[4]
	12		ANY	NIC3, MULTIACCUM, NIC3-FIX	F110W	SAMP-SEQ=SPARS 128; OFFSET=SAM; NSAMP=23		Prime + Parallel Group 10-12	[==>]	[4]
	13	(6) 9	NGC4921-PA29	ACS/WFC, ACCUM, WFC-FIX	F606W	CR-SPLIT=2; GAIN=2	POS TARG 0.04,0.1 55	Prime + Parallel Group 13-15	2400.0 Secs [==>1251.0 Secs (Split 1)] [==>1251.0 Secs (Split 2)]	[5]
	14		ANY	WFPC2, IMAGE, WFALL	F450W	CLOCKS=YES; CR-SPLIT=DEF		Prime + Parallel Group 13-15	2500.0 Secs [==>1300.0 Secs (Split 1)] [==>1200.0 Secs (Split 2)]	[5]
	15		ANY	NIC3, MULTIACCUM, NIC3-FIX	F160W	SAMP-SEQ=SPARS 128; OFFSET=SAM; NSAMP=23		Prime + Parallel Group 13-15	[==>]	[5]











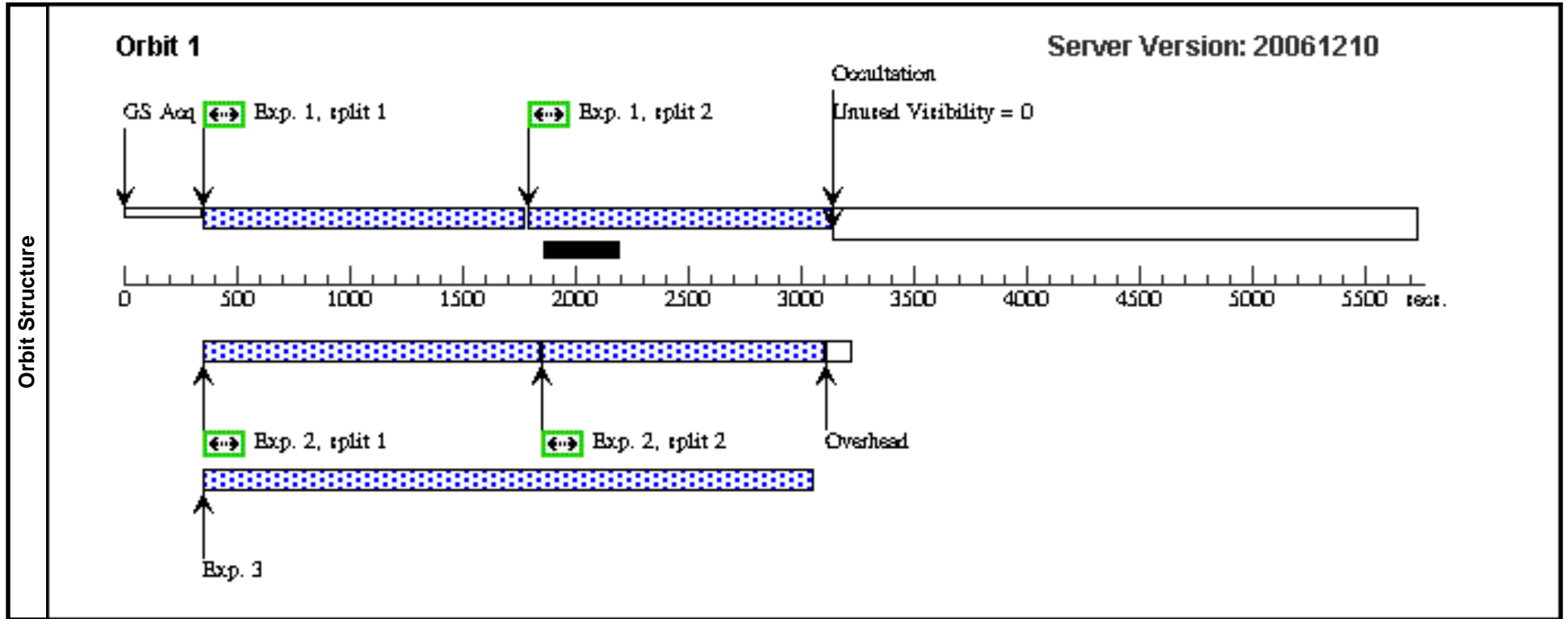
Proposal 10842 - Visit BU - A Cepheid Distance to the Coma Cluster

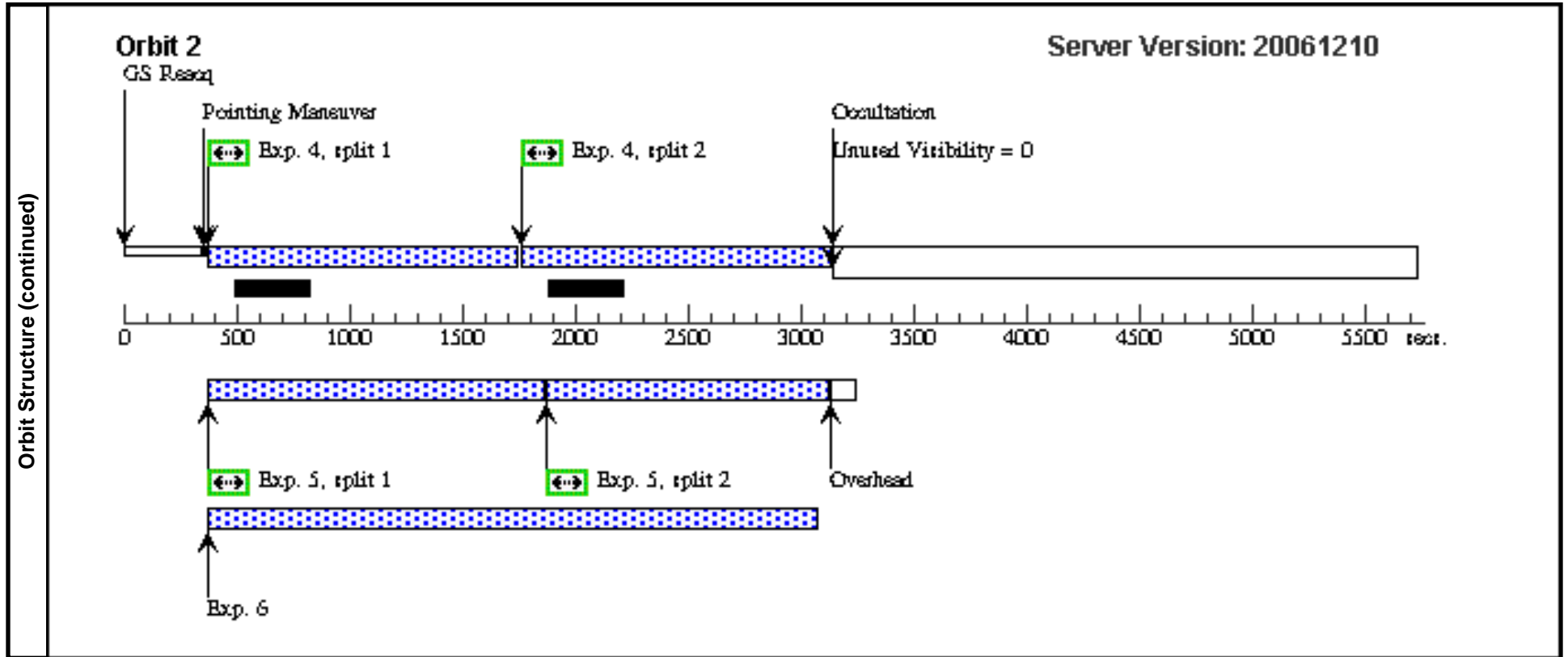
Fri Jan 19 02:15:22 GMT 2007

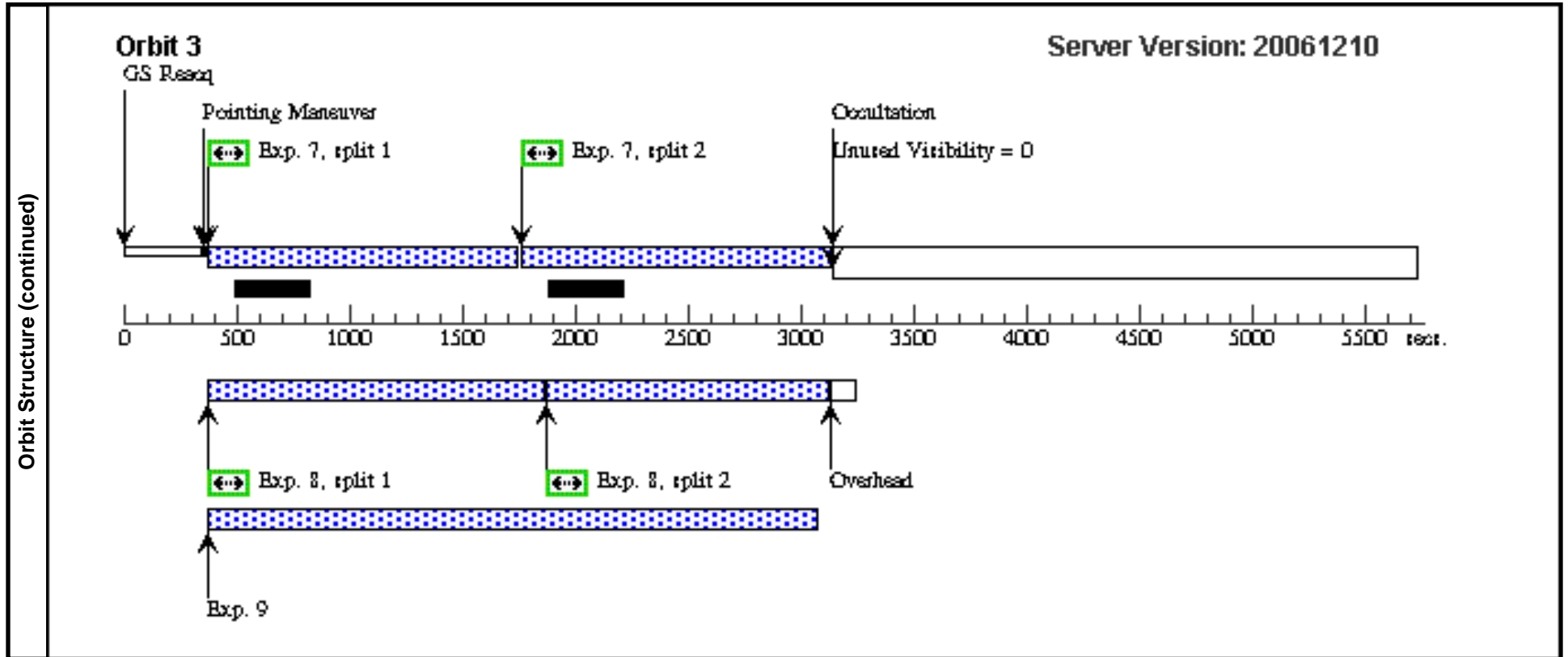
Visit	Proposal 10842, Visit BU, completed Diagnostic Status: No Diagnostics Scientific Instruments: ACS/WFC, WFPC2, NIC3 Special Requirements: PCS MODE FINE; SAME ORIENT AS B1; BETWEEN 16-DEC-2006:00:00:00 AND 23-DEC-2006:00:00:00									
	Fixed Targets	#	Name	Target Coordinates	Targ. Coord. Corrections	Fluxes	Miscellaneous			
	(6)	NGC4921-PA299	RA: 13 01 26.0000 (195.3583333d) Dec: +27 53 10.00 (27.88611d) Equinox: J2000			V=13.0	Reference Frame: ICRS			
Exposures	#	Label	Target	Config,Mode,Aperture	Spectral Els.	Opt. Params.	Special Reqs.	Groups	Exp. Time/[Actual Dur.]	Orbit
	1		(6) NGC4921-PA29 9	ACS/WFC, ACCUM, WFC-FIX	F814W	CR-SPLIT=2; GAIN=2	POS TARG 0.025,0. 05	Prime + Parallel Group 1-3	2400.0 Secs [==>1220.0 Secs (Split 1)] [==>1220.0 Secs (Split 2)]	[1]
	2		ANY	WFPC2, IMAGE, WFALL	F606W	CLOCKS=YES; CR-SPLIT=DEF		Prime + Parallel Group 1-3	2400.0 Secs [==>1300.0 Secs (Split 1)] [==>1200.0 Secs (Split 2)]	[1]
	3		ANY	NIC3, MULTIACCUM, NIC3-FIX	F160W	SAMP-SEQ=SPARS 128; OFFSET=SAM; NSAMP=23		Prime + Parallel Group 1-3	[==>]	[1]
	4		(6) NGC4921-PA29 9	ACS/WFC, ACCUM, WFC-FIX	F814W	CR-SPLIT=2; GAIN=2	POS TARG -0.04,0. 18	Prime + Parallel Group 4-6	2400.0 Secs [==>1251.0 Secs (Split 1)] [==>1251.0 Secs (Split 2)]	[2]
	5		ANY	WFPC2, IMAGE, WFALL	F606W	CLOCKS=YES; CR-SPLIT=DEF		Prime + Parallel Group 4-6	2400.0 Secs [==>1300.0 Secs (Split 1)] [==>1200.0 Secs (Split 2)]	[2]
	6		ANY	NIC3, MULTIACCUM, NIC3-FIX	F110W	SAMP-SEQ=SPARS 128; OFFSET=SAM; NSAMP=23		Prime + Parallel Group 4-6	[==>]	[2]
	7		(6) NGC4921-PA29 9	ACS/WFC, ACCUM, WFC-FIX	F814W	CR-SPLIT=2; GAIN=2	POS TARG -0.105,- 0.015	Prime + Parallel Group 7-9	2400.0 Secs [==>1251.0 Secs (Split 1)] [==>1251.0 Secs (Split 2)]	[3]
8		ANY	WFPC2, IMAGE, WFALL	F814W	CLOCKS=YES; CR-SPLIT=DEF		Prime + Parallel Group 7-9	2400.0 Secs [==>1300.0 Secs (Split 1)] [==>1200.0 Secs (Split 2)]	[3]	

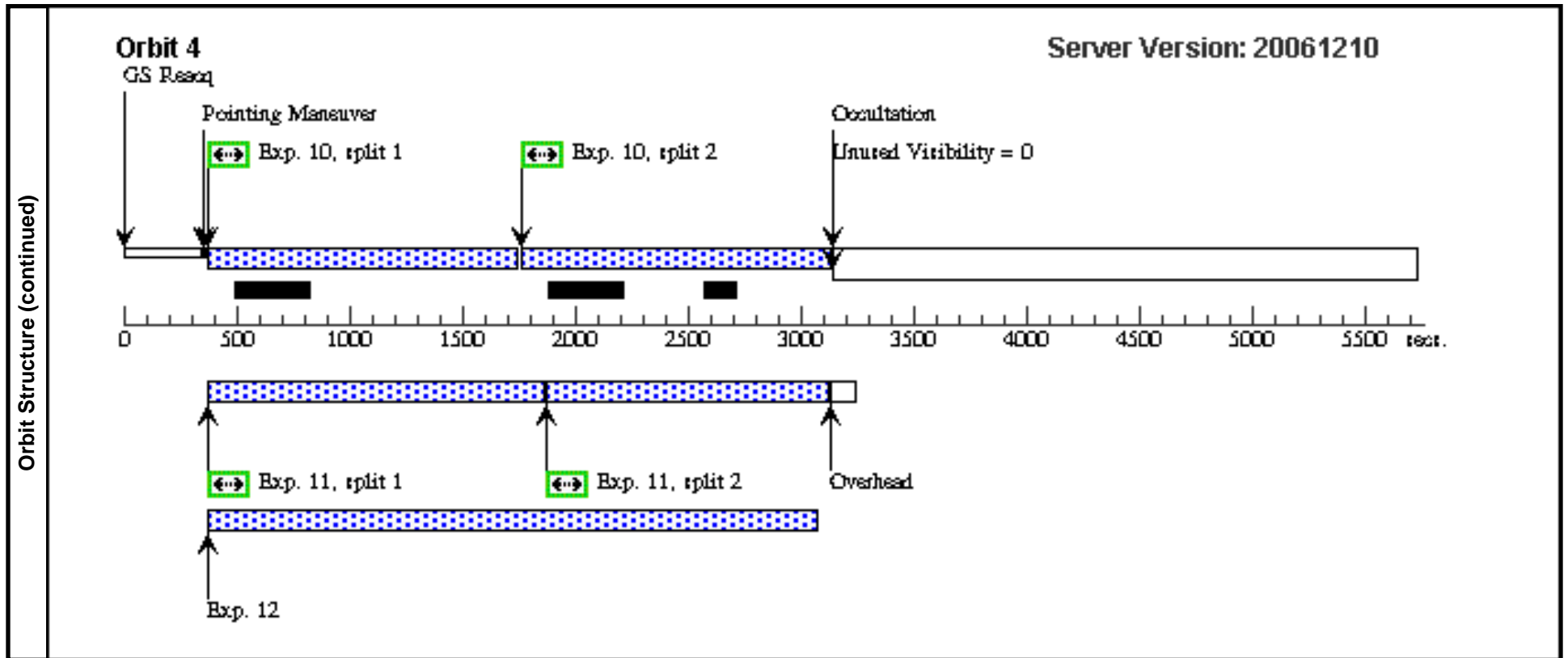
Proposal 10842 - Visit BU - A Cepheid Distance to the Coma Cluster

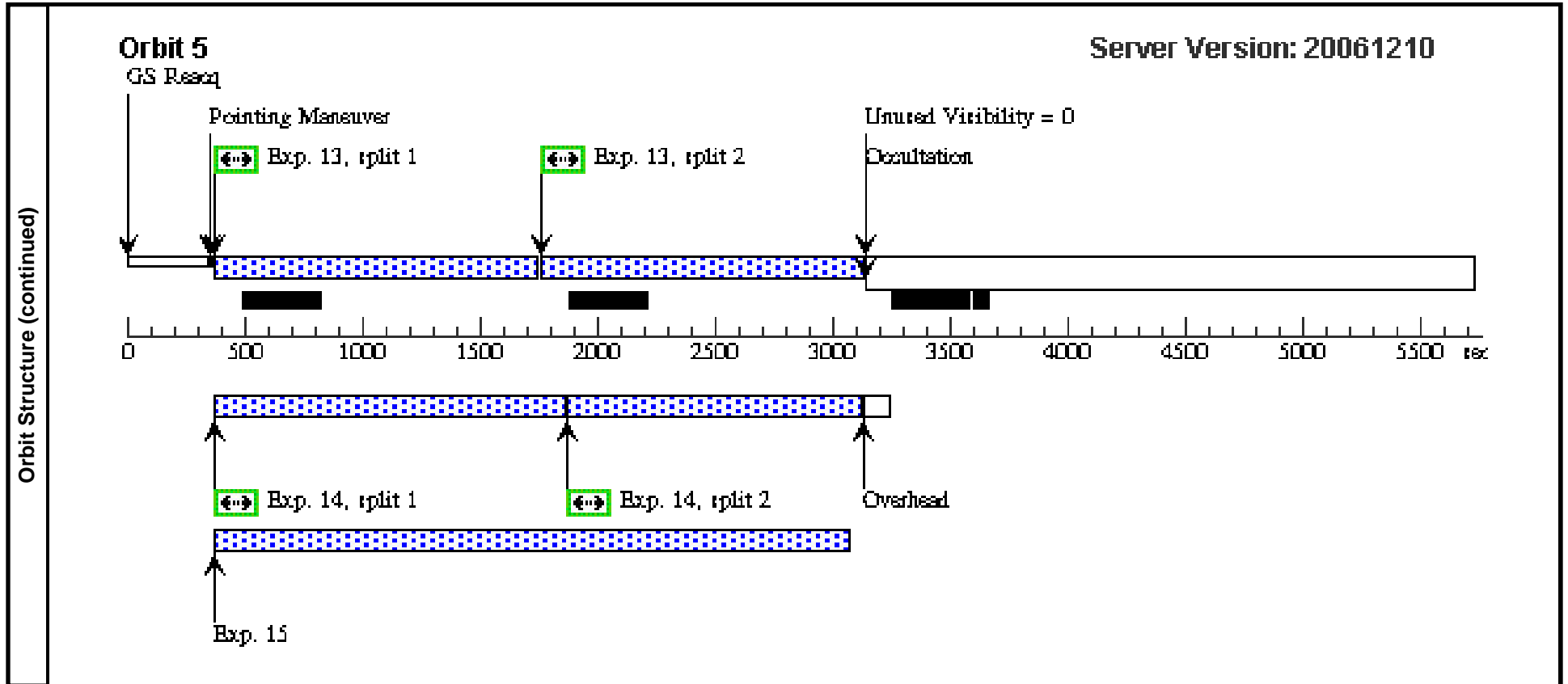
Exposures (continued)	#	Label	Target	Config,Mode,Aperture	Spectral Els.	Opt. Params.	Special Reqs.	Groups	Exp. Time/[Actual Dur.]	Orbit
	9		ANY	NIC3, MULTIACCUM, NIC3-FIX	F160W	SAMP-SEQ=SPARS 128; OFFSET=SAM; NSAMP=23		Prime + Parallel Group 7-9	[==>]	[3]
	10	(6) 9	NGC4921-PA29	ACS/WFC, ACCUM, WFC-FIX	F814W	CR-SPLIT=2; GAIN=2	POS TARG 0.09,-0.08	Prime + Parallel Group 10-12	2400.0 Secs [==>1251.0 Secs (Split 1)] [==>1251.0 Secs (Split 2)]	[4]
	11		ANY	WFPC2, IMAGE, WFALL	F450W	CLOCKS=YES; CR-SPLIT=DEF		Prime + Parallel Group 10-12	2400.0 Secs [==>1300.0 Secs (Split 1)] [==>1200.0 Secs (Split 2)]	[4]
	12		ANY	NIC3, MULTIACCUM, NIC3-FIX	F110W	SAMP-SEQ=SPARS 128; OFFSET=SAM; NSAMP=23		Prime + Parallel Group 10-12	[==>]	[4]
	13	(6) 9	NGC4921-PA29	ACS/WFC, ACCUM, WFC-FIX	F814W	CR-SPLIT=2; GAIN=2	POS TARG 0.155,0.115	Prime + Parallel Group 13-15	2400.0 Secs [==>1251.0 Secs (Split 1)] [==>1251.0 Secs (Split 2)]	[5]
	14		ANY	WFPC2, IMAGE, WFALL	F450W	CLOCKS=YES; CR-SPLIT=DEF		Prime + Parallel Group 13-15	2400.0 Secs [==>1300.0 Secs (Split 1)] [==>1200.0 Secs (Split 2)]	[5]
	15		ANY	NIC3, MULTIACCUM, NIC3-FIX	F160W	SAMP-SEQ=SPARS 128; OFFSET=SAM; NSAMP=23		Prime + Parallel Group 13-15	[==>]	[5]











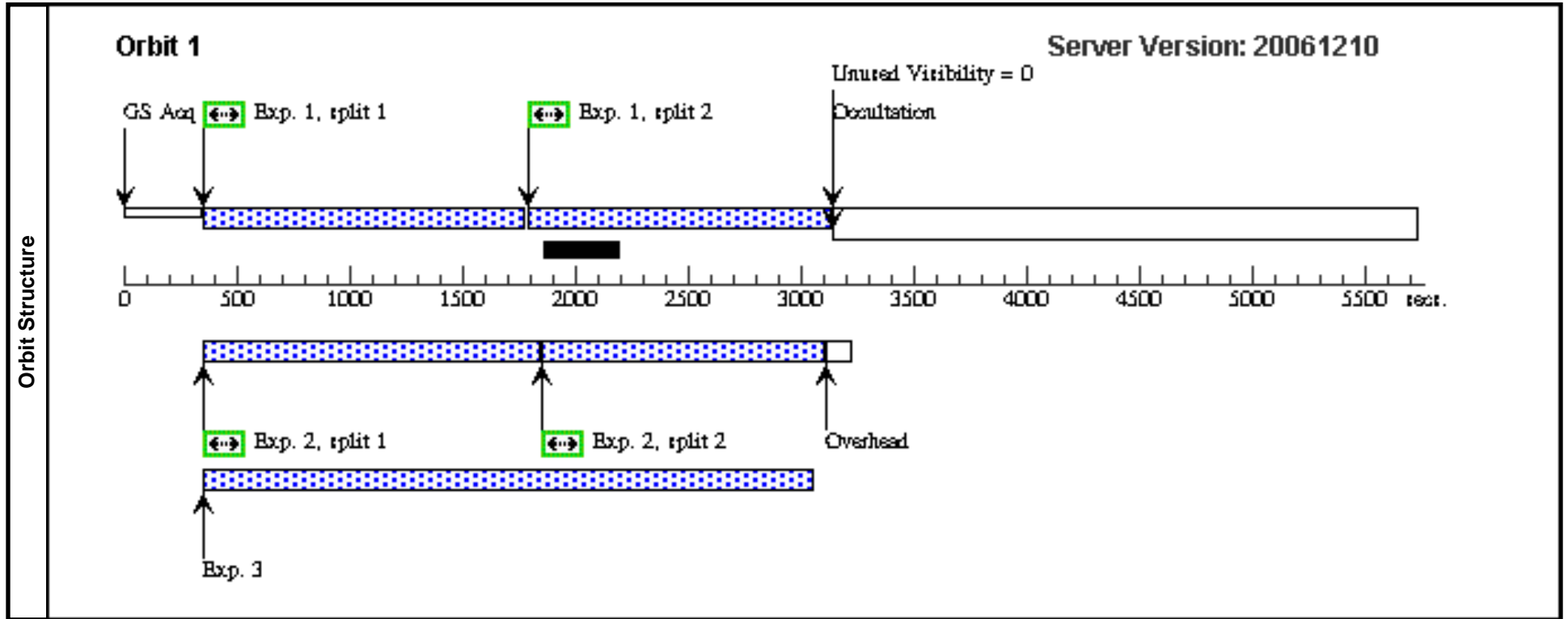
Proposal 10842 - Visit BV - A Cepheid Distance to the Coma Cluster

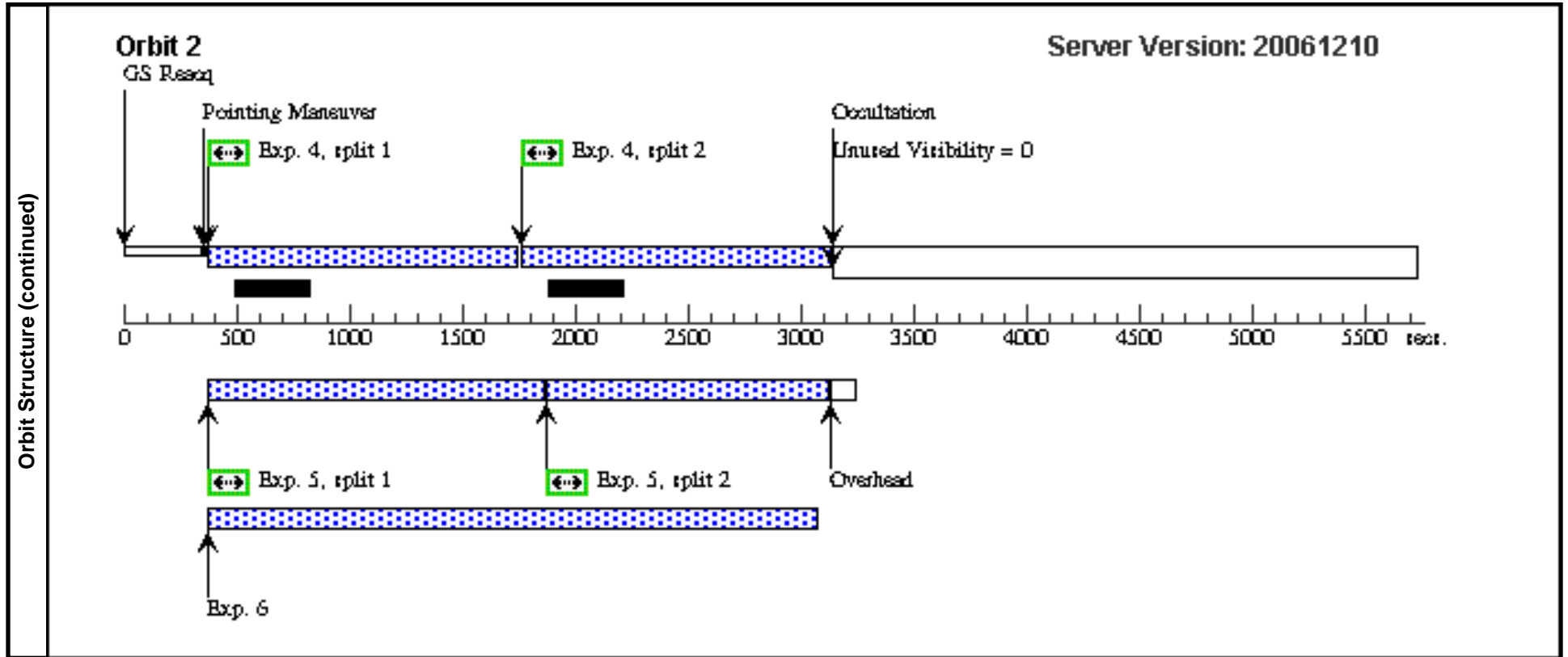
Fri Jan 19 02:15:23 GMT 2007

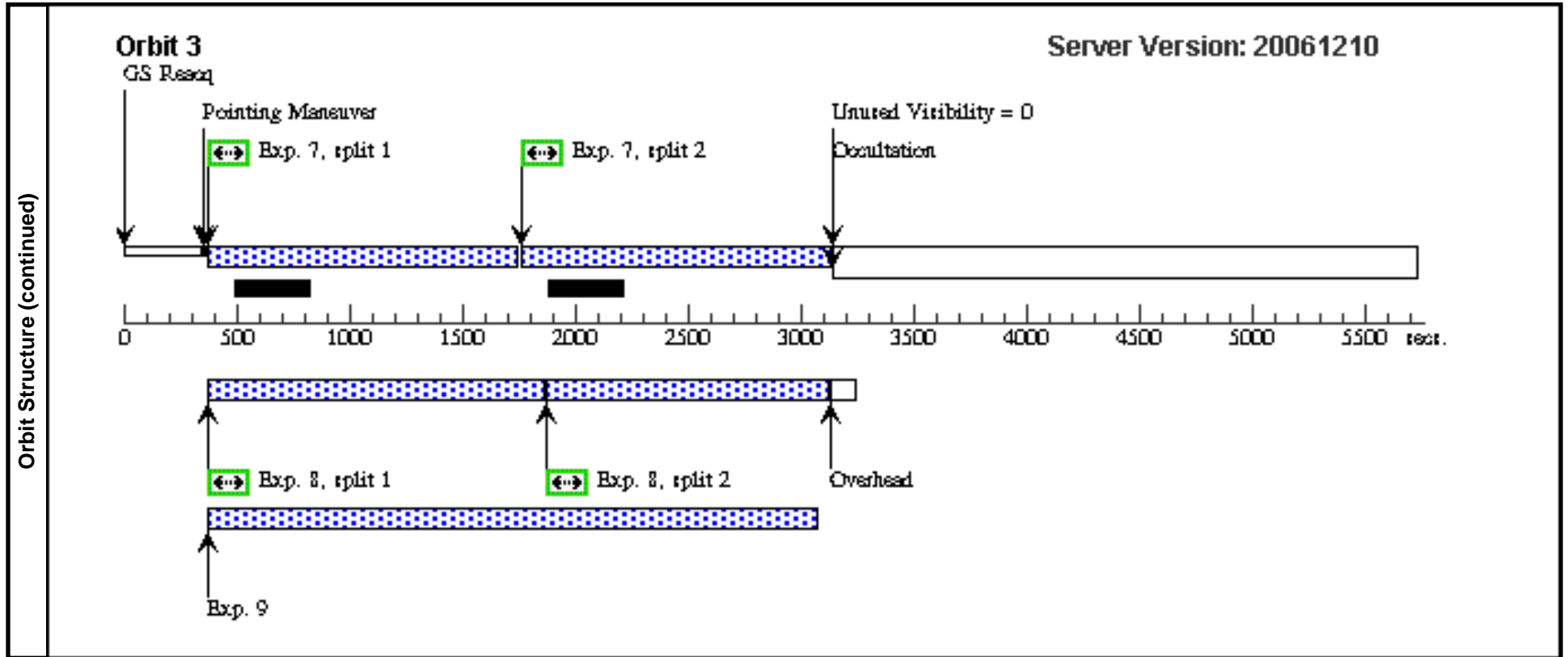
Visit	Proposal 10842, Visit BV, completed Diagnostic Status: No Diagnostics Scientific Instruments: ACS/WFC, WFPC2, NIC3 Special Requirements: PCS MODE FINE; SAME ORIENT AS B1; AFTER BU BY 5 D TO 8 D									
	Fixed Targets	#	Name	Target Coordinates	Targ. Coord. Corrections	Fluxes	Miscellaneous			
	(6)	NGC4921-PA299	RA: 13 01 26.0000 (195.3583333d) Dec: +27 53 10.00 (27.88611d) Equinox: J2000			V=13.0	Reference Frame: ICRS			
Exposures	#	Label	Target	Config,Mode,Aperture	Spectral Els.	Opt. Params.	Special Reqs.	Groups	Exp. Time/[Actual Dur.]	Orbit
	1		(6) NGC4921-PA29 9	ACS/WFC, ACCUM, WFC-FIX	F814W	CR-SPLIT=2; GAIN=2	POS TARG -0.05,-0.025	Prime + Parallel Group 1-3	2400.0 Secs [==>1220.0 Secs (Split 1)] [==>1220.0 Secs (Split 2)]	[1]
	2		ANY	WFPC2, IMAGE, WFALL	F606W	CLOCKS=YES; CR-SPLIT=DEF		Prime + Parallel Group 1-3	2500.0 Secs [==>1300.0 Secs (Split 1)] [==>1200.0 Secs (Split 2)]	[1]
	3		ANY	NIC3, MULTIACCUM, NIC3-FIX	F160W	SAMP-SEQ=SPARS 128; OFFSET=SAM; NSAMP=23		Prime + Parallel Group 1-3	[==>]	[1]
	4		(6) NGC4921-PA29 9	ACS/WFC, ACCUM, WFC-FIX	F814W	CR-SPLIT=2; GAIN=2	POS TARG -0.115,0.105	Prime + Parallel Group 4-6	2400.0 Secs [==>1251.0 Secs (Split 1)] [==>1251.0 Secs (Split 2)]	[2]
	5		ANY	WFPC2, IMAGE, WFALL	F814W	CLOCKS=YES; CR-SPLIT=DEF		Prime + Parallel Group 4-6	2500.0 Secs [==>1300.0 Secs (Split 1)] [==>1200.0 Secs (Split 2)]	[2]
	6		ANY	NIC3, MULTIACCUM, NIC3-FIX	F110W	SAMP-SEQ=SPARS 128; OFFSET=SAM; NSAMP=23		Prime + Parallel Group 4-6	[==>]	[2]
	7		(6) NGC4921-PA29 9	ACS/WFC, ACCUM, WFC-FIX	F814W	CR-SPLIT=2; GAIN=2	POS TARG -0.18,-0.09	Prime + Parallel Group 7-9	2400.0 Secs [==>1251.0 Secs (Split 1)] [==>1251.0 Secs (Split 2)]	[3]
8		ANY	WFPC2, IMAGE, WFALL	F814W	CLOCKS=YES; CR-SPLIT=DEF		Prime + Parallel Group 7-9	2500.0 Secs [==>1300.0 Secs (Split 1)] [==>1200.0 Secs (Split 2)]	[3]	

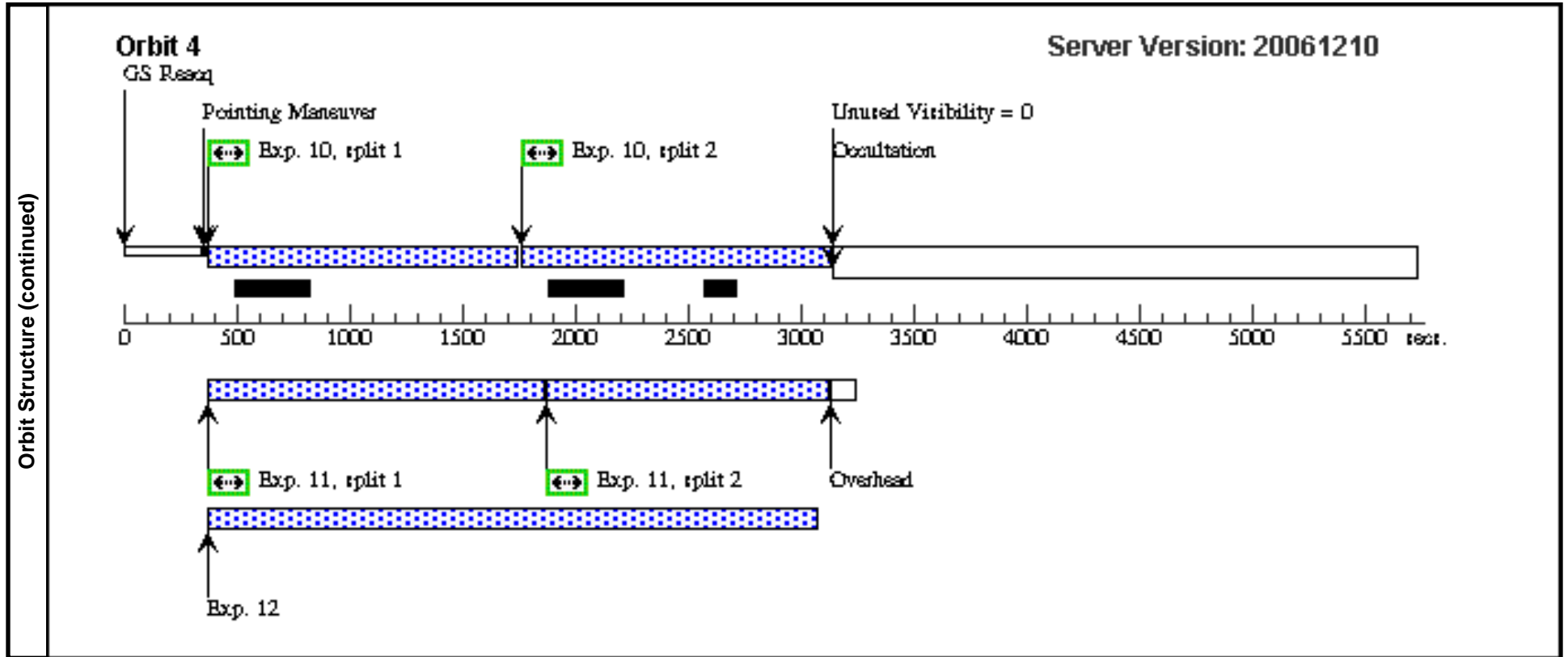
Proposal 10842 - Visit BV - A Cepheid Distance to the Coma Cluster

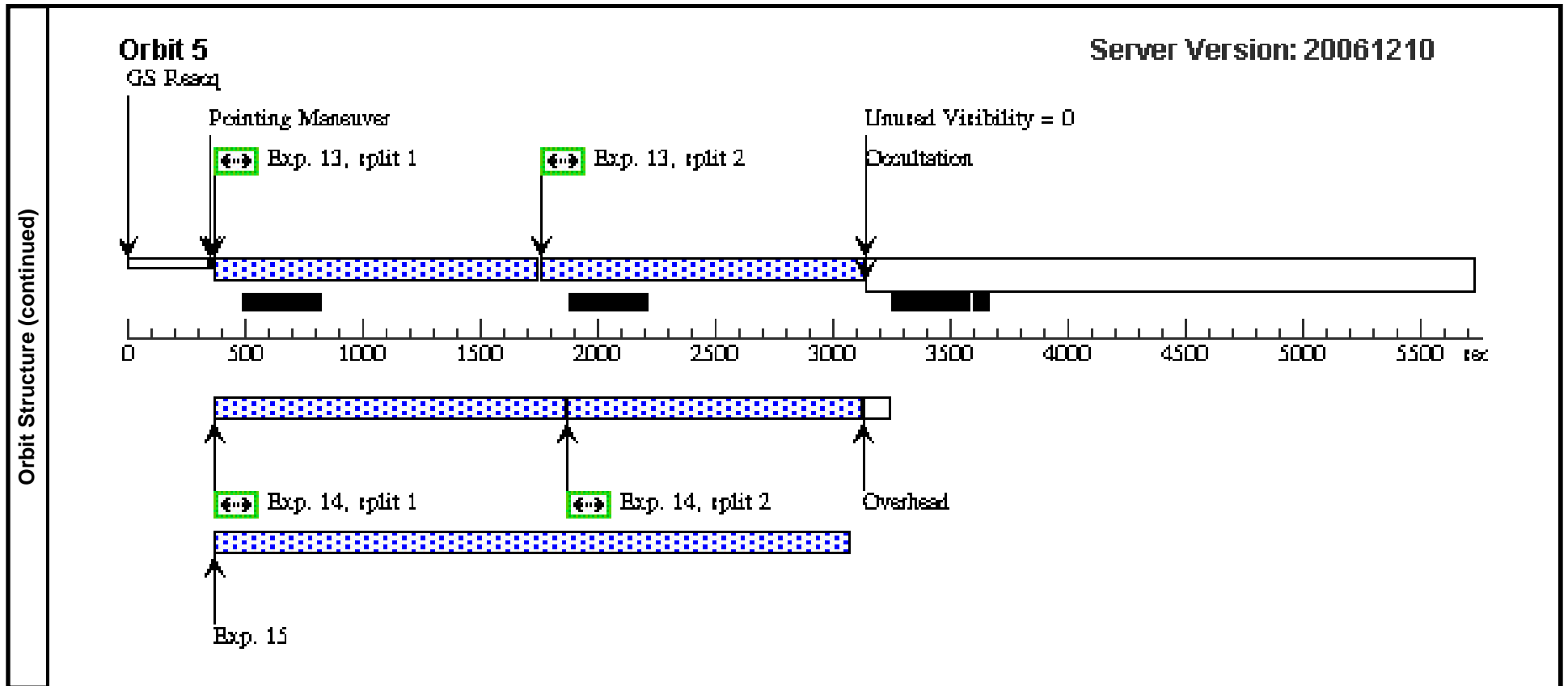
Exposures (continued)	#	Label	Target	Config,Mode,Aperture	Spectral Els.	Opt. Params.	Special Reqs.	Groups	Exp. Time/[Actual Dur.]	Orbit
	9		ANY	NIC3, MULTIACCUM, NIC3-FIX	F160W	SAMP-SEQ=SPARS 128; OFFSET=SAM; NSAMP=23		Prime + Parallel Group 7-9	[==>]	[3]
	10	(6) 9	NGC4921-PA29	ACS/WFC, ACCUM, WFC-FIX	F814W	CR-SPLIT=2; GAIN=2	POS TARG 0.015,-0 .155	Prime + Parallel Group 10-12	2400.0 Secs [==>1251.0 Secs (Split 1)] [==>1251.0 Secs (Split 2)]	[4]
	11		ANY	WFPC2, IMAGE, WFALL	F450W	CLOCKS=YES; CR-SPLIT=DEF		Prime + Parallel Group 10-12	2500.0 Secs [==>1300.0 Secs (Split 1)] [==>1200.0 Secs (Split 2)]	[4]
	12		ANY	NIC3, MULTIACCUM, NIC3-FIX	F110W	SAMP-SEQ=SPARS 128; OFFSET=SAM; NSAMP=23		Prime + Parallel Group 10-12	[==>]	[4]
	13	(6) 9	NGC4921-PA29	ACS/WFC, ACCUM, WFC-FIX	F814W	CR-SPLIT=2; GAIN=2	POS TARG 0.08,0.0 4	Prime + Parallel Group 13-15	2400.0 Secs [==>1251.0 Secs (Split 1)] [==>1251.0 Secs (Split 2)]	[5]
	14		ANY	WFPC2, IMAGE, WFALL	F450W	CLOCKS=YES; CR-SPLIT=DEF		Prime + Parallel Group 13-15	2500.0 Secs [==>1300.0 Secs (Split 1)] [==>1200.0 Secs (Split 2)]	[5]
	15		ANY	NIC3, MULTIACCUM, NIC3-FIX	F110W	SAMP-SEQ=SPARS 128; OFFSET=SAM; NSAMP=23		Prime + Parallel Group 13-15	[==>]	[5]











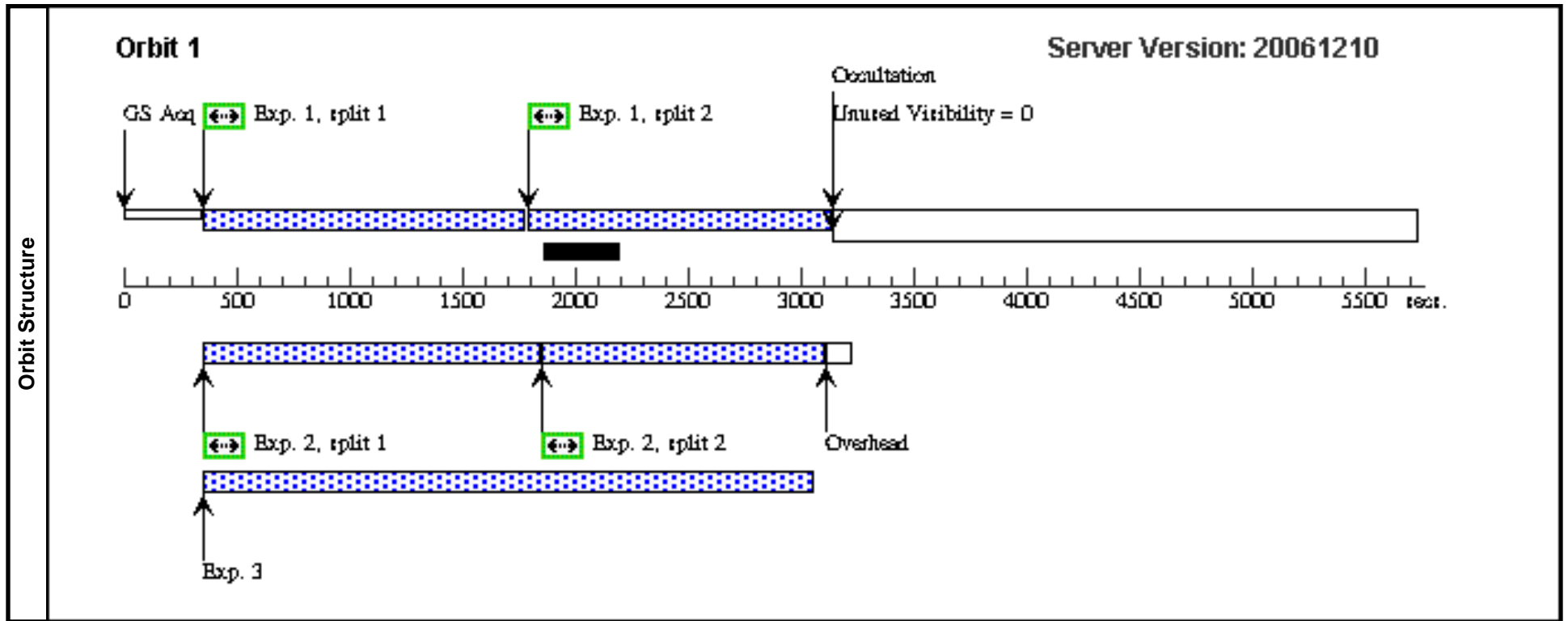
Proposal 10842 - Visit B3 - A Cepheid Distance to the Coma Cluster

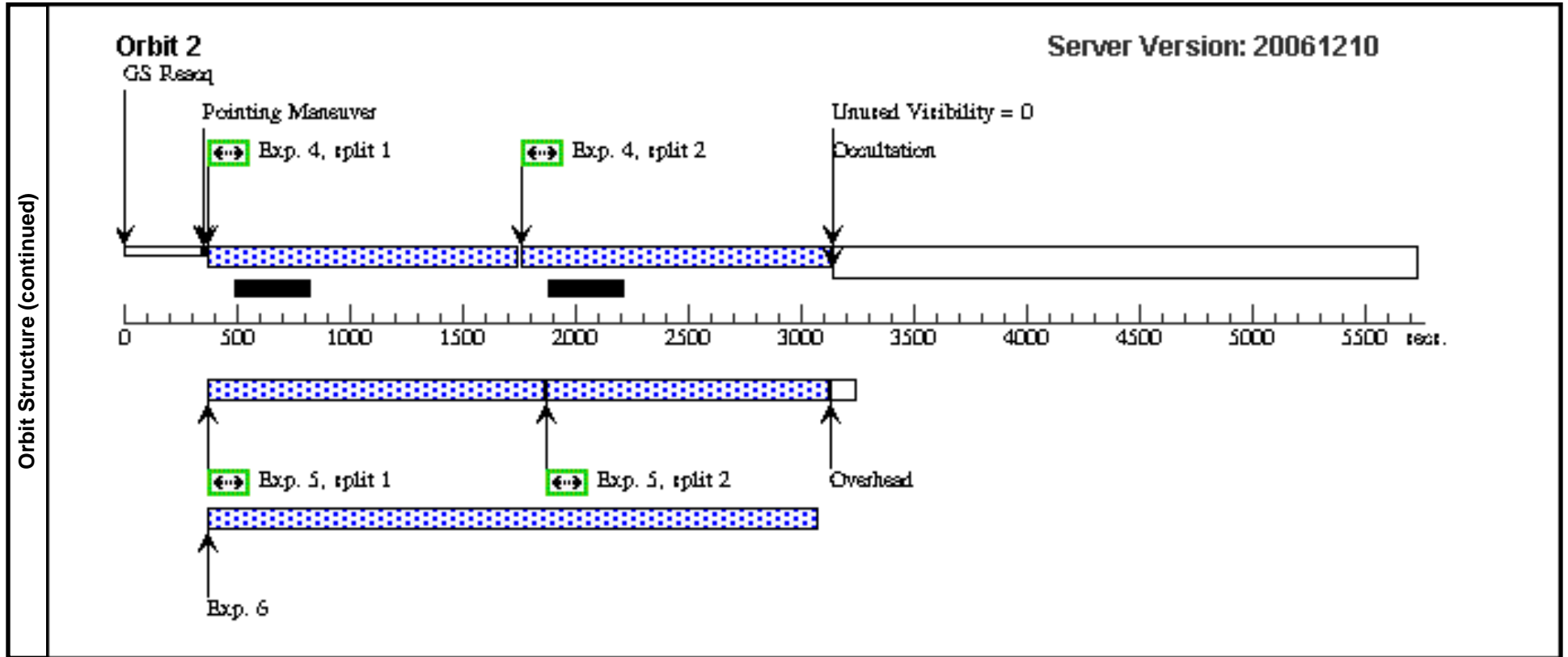
Fri Jan 19 02:15:24 GMT 2007

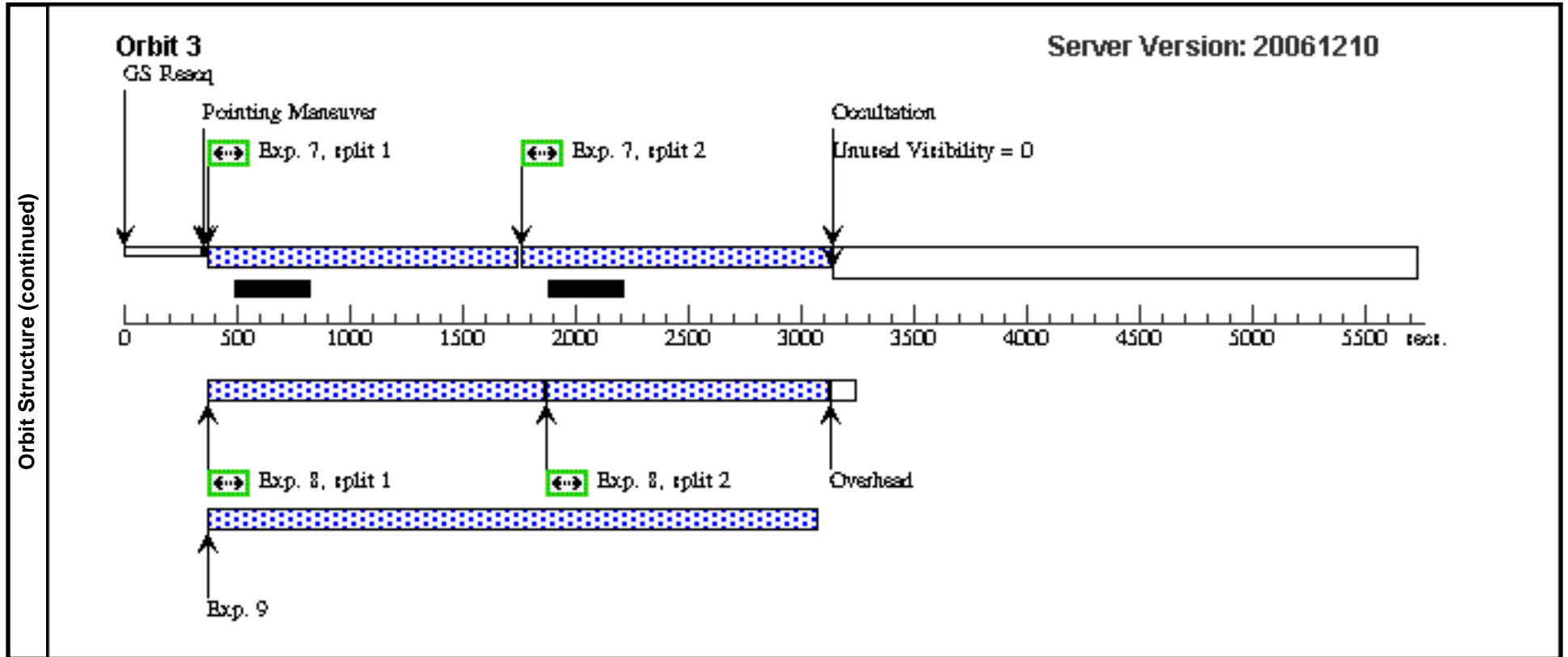
Visit	Proposal 10842, Visit B3, completed Diagnostic Status: No Diagnostics Scientific Instruments: ACS/WFC, WFPC2, NIC3 Special Requirements: PCS MODE FINE; SAME ORIENT AS B1; AFTER B1 BY 17.7 D TO 19.7 D									
	Fixed Targets	#	Name	Target Coordinates	Targ. Coord. Corrections	Fluxes	Miscellaneous			
	(6)	NGC4921-PA299	RA: 13 01 26.0000 (195.3583333d) Dec: +27 53 10.00 (27.88611d) Equinox: J2000			V=13.0	Reference Frame: ICRS			
Exposures	#	Label	Target	Config,Mode,Aperture	Spectral Els.	Opt. Params.	Special Reqs.	Groups	Exp. Time/[Actual Dur.]	Orbit
	1		(6) NGC4921-PA299	ACS/WFC, ACCUM, WFC-FIX	F606W	CR-SPLIT=2; GAIN=2	POS TARG 0.025,0.05	Prime + Parallel Group 1-3	2400.0 Secs [==>1220.0 Secs (Split 1)] [==>1220.0 Secs (Split 2)]	[1]
	2		ANY	WFPC2, IMAGE, WFALL	F606W	CLOCKS=YES; CR-SPLIT=DEF		Prime + Parallel Group 1-3	2400.0 Secs [==>1300.0 Secs (Split 1)] [==>1200.0 Secs (Split 2)]	[1]
	3		ANY	NIC3, MULTIACCUM, NIC3-FIX	F160W	SAMP-SEQ=SPARS 128; OFFSET=SAM; NSAMP=23		Prime + Parallel Group 1-3	[==>]	[1]
	4		(6) NGC4921-PA299	ACS/WFC, ACCUM, WFC-FIX	F606W	CR-SPLIT=2; GAIN=2	POS TARG -0.04,0.18	Prime + Parallel Group 4-6	2400.0 Secs [==>1251.0 Secs (Split 1)] [==>1251.0 Secs (Split 2)]	[2]
	5		ANY	WFPC2, IMAGE, WFALL	F814W	CLOCKS=YES; CR-SPLIT=DEF		Prime + Parallel Group 4-6	2400.0 Secs [==>1300.0 Secs (Split 1)] [==>1200.0 Secs (Split 2)]	[2]
	6		ANY	NIC3, MULTIACCUM, NIC3-FIX	F110W	SAMP-SEQ=SPARS 128; OFFSET=SAM; NSAMP=23		Prime + Parallel Group 4-6	[==>]	[2]
	7		(6) NGC4921-PA299	ACS/WFC, ACCUM, WFC-FIX	F606W	CR-SPLIT=2; GAIN=2	POS TARG -0.105,-0.015	Prime + Parallel Group 7-9	2400.0 Secs [==>1251.0 Secs (Split 1)] [==>1251.0 Secs (Split 2)]	[3]
8		ANY	WFPC2, IMAGE, WFALL	F814W	CLOCKS=YES; CR-SPLIT=DEF		Prime + Parallel Group 7-9	2400.0 Secs [==>1300.0 Secs (Split 1)] [==>1200.0 Secs (Split 2)]	[3]	

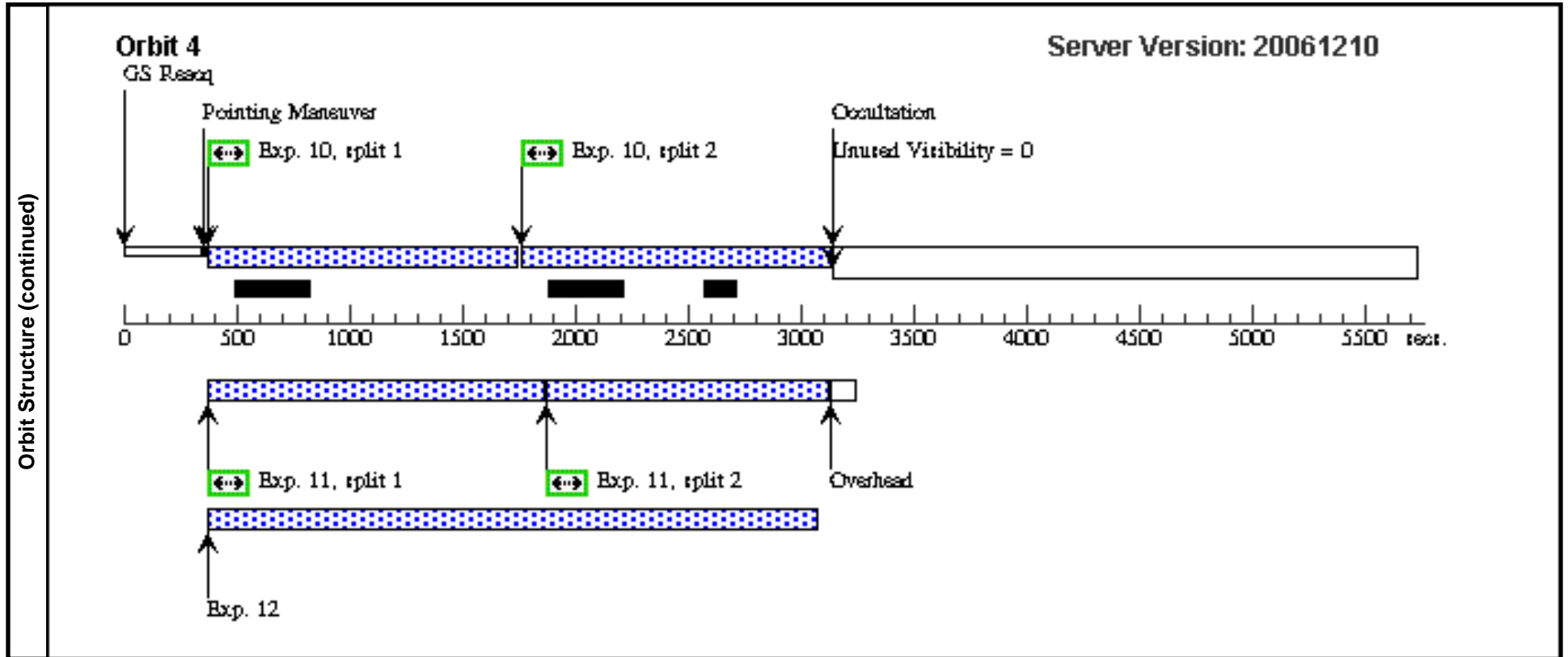
Proposal 10842 - Visit B3 - A Cepheid Distance to the Coma Cluster

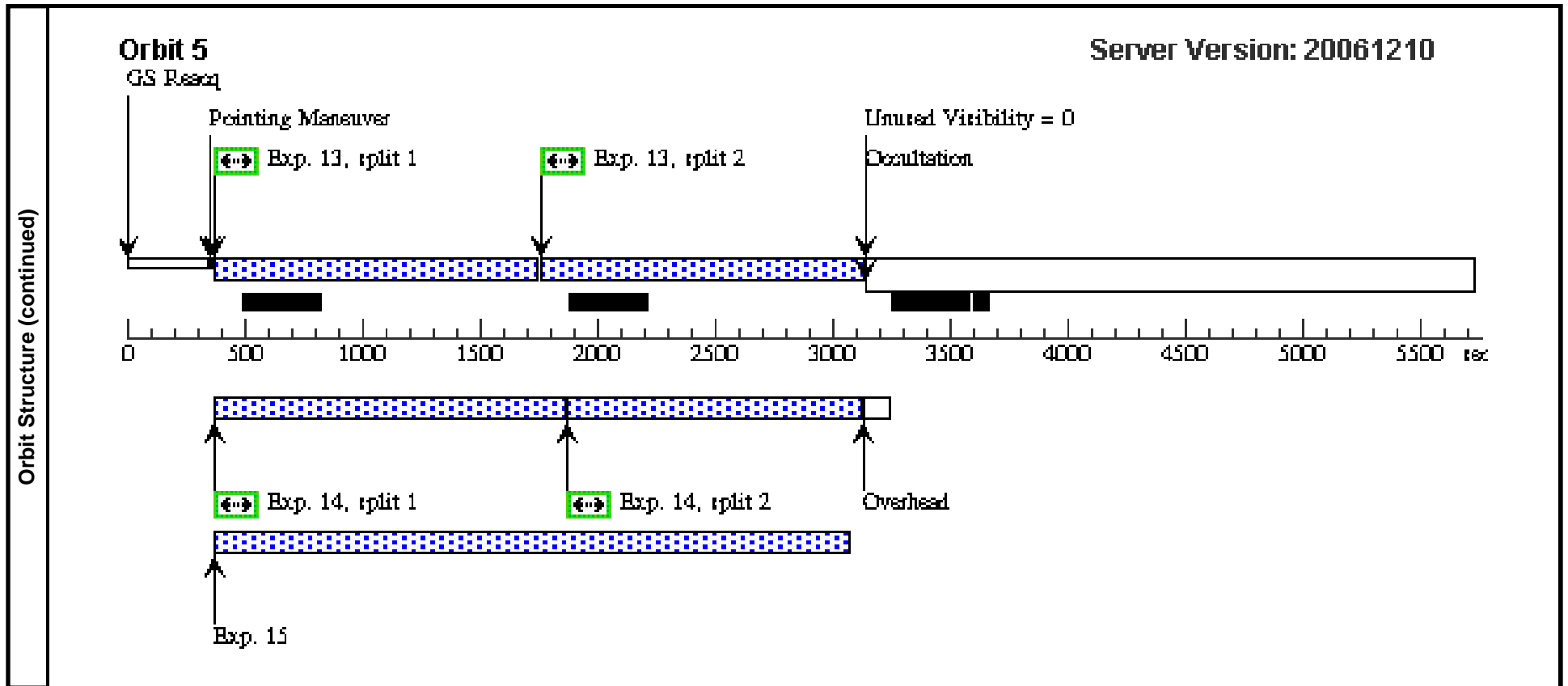
Exposures (continued)	#	Label	Target	Config,Mode,Aperture	Spectral Els.	Opt. Params.	Special Reqs.	Groups	Exp. Time/[Actual Dur.]	Orbit
	9		ANY	NIC3, MULTIACCUM, NIC3-FIX	F160W	SAMP-SEQ=SPARS 128; OFFSET=SAM; NSAMP=23		Prime + Parallel Group 7-9	[==>]	[3]
	10	(6) 9	NGC4921-PA29	ACS/WFC, ACCUM, WFC-FIX	F606W	CR-SPLIT=2; GAIN=2	POS TARG 0.09,-0.08	Prime + Parallel Group 10-12	2400.0 Secs [==>1251.0 Secs (Split 1)] [==>1251.0 Secs (Split 2)]	[4]
	11		ANY	WFPC2, IMAGE, WFALL	F450W	CLOCKS=YES; CR-SPLIT=DEF		Prime + Parallel Group 10-12	2400.0 Secs [==>1300.0 Secs (Split 1)] [==>1200.0 Secs (Split 2)]	[4]
	12		ANY	NIC3, MULTIACCUM, NIC3-FIX	F110W	SAMP-SEQ=SPARS 128; OFFSET=SAM; NSAMP=23		Prime + Parallel Group 10-12	[==>]	[4]
	13	(6) 9	NGC4921-PA29	ACS/WFC, ACCUM, WFC-FIX	F606W	CR-SPLIT=2; GAIN=2	POS TARG 0.155,0.115	Prime + Parallel Group 13-15	2400.0 Secs [==>1251.0 Secs (Split 1)] [==>1251.0 Secs (Split 2)]	[5]
	14		ANY	WFPC2, IMAGE, WFALL	F450W	CLOCKS=YES; CR-SPLIT=DEF		Prime + Parallel Group 13-15	2400.0 Secs [==>1300.0 Secs (Split 1)] [==>1200.0 Secs (Split 2)]	[5]
	15		ANY	NIC3, MULTIACCUM, NIC3-FIX	F110W	SAMP-SEQ=SPARS 128; OFFSET=SAM; NSAMP=23		Prime + Parallel Group 13-15	[==>]	[5]











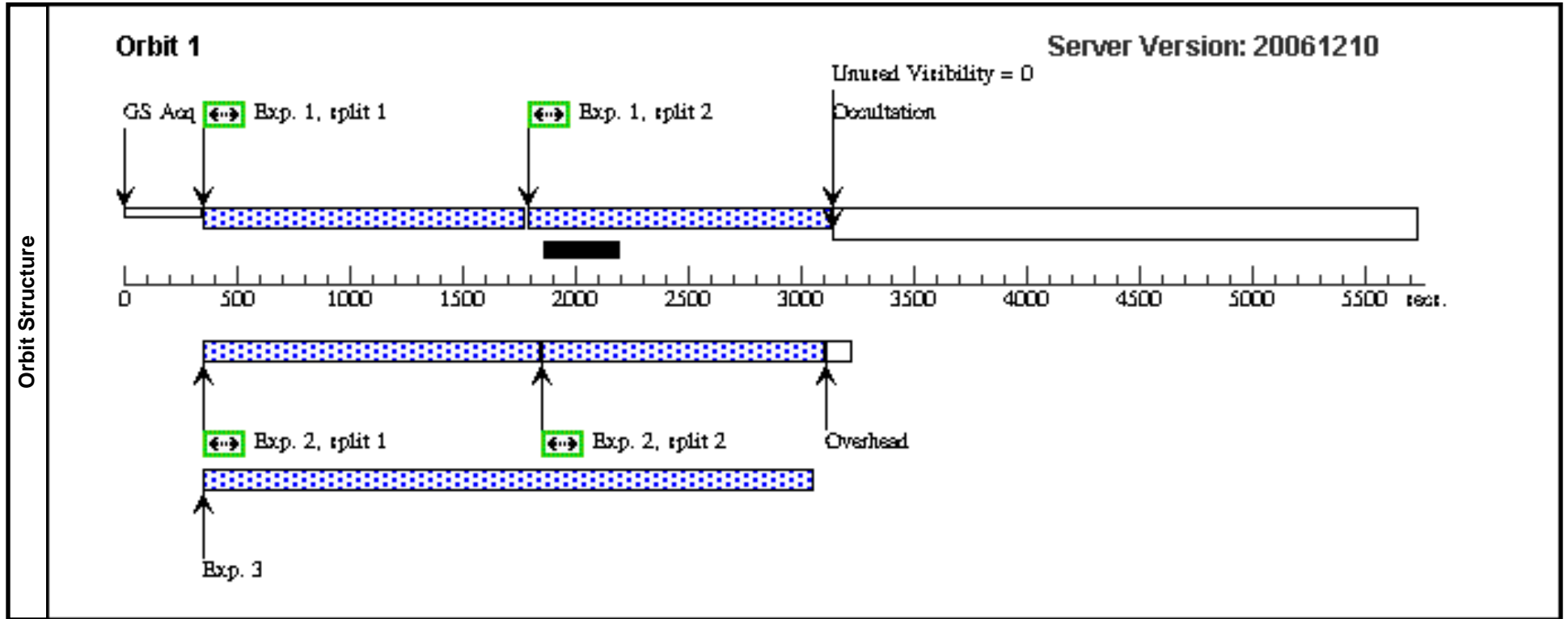
Proposal 10842 - Visit B4 - A Cepheid Distance to the Coma Cluster

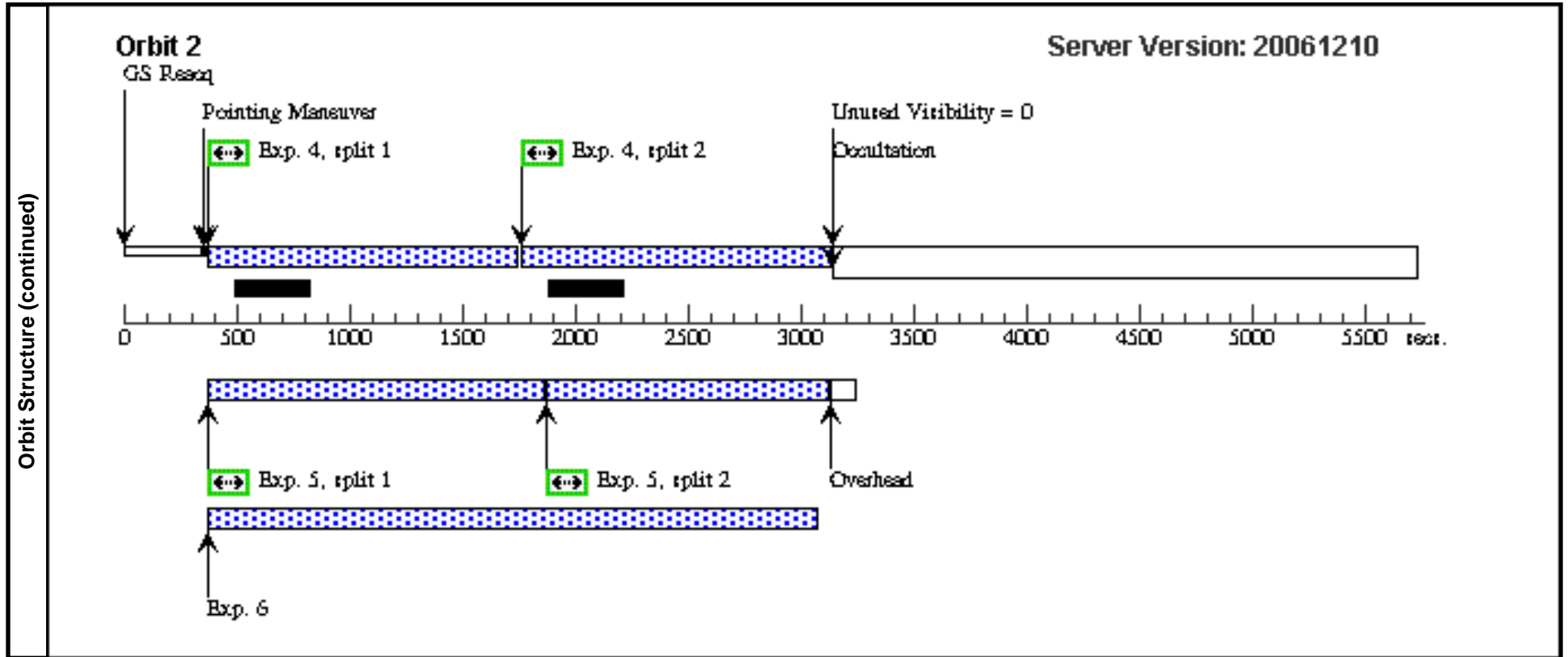
Fri Jan 19 02:15:25 GMT 2007

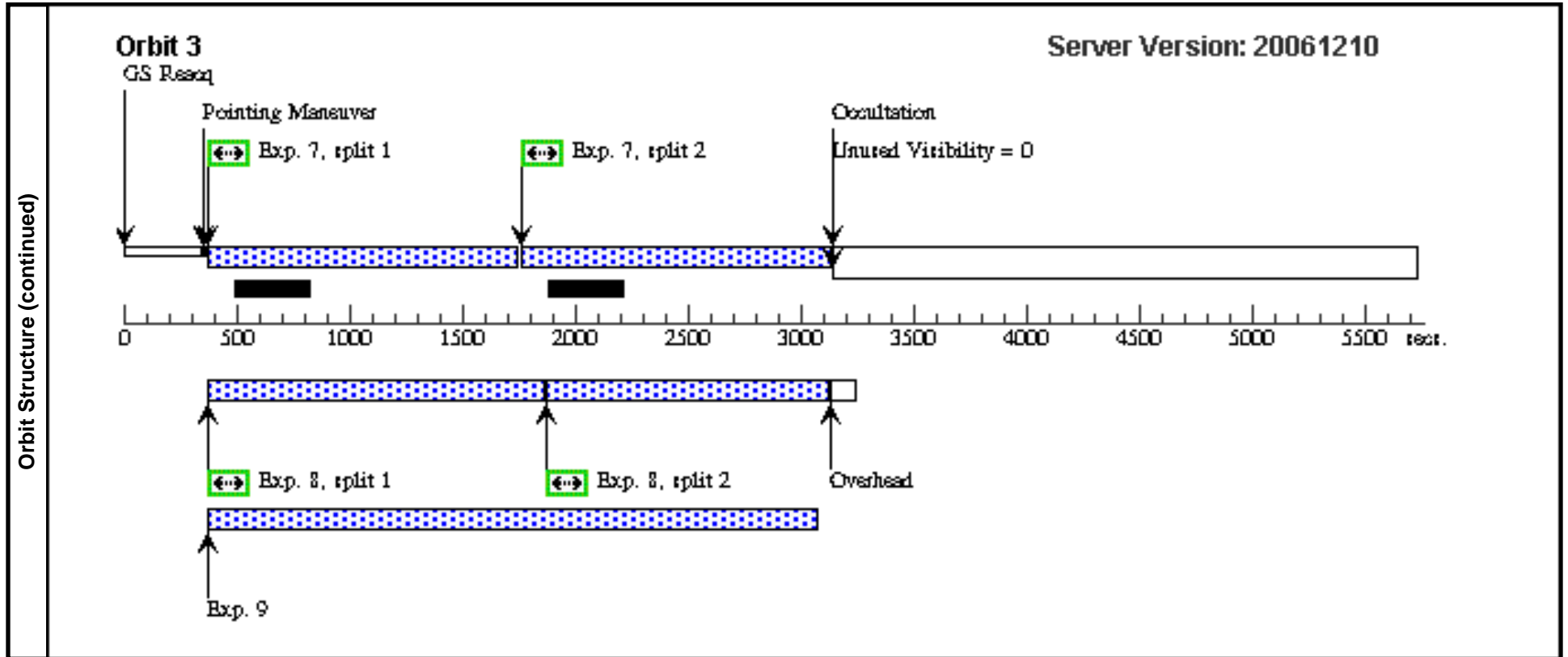
Visit	Proposal 10842, Visit B4, completed Diagnostic Status: No Diagnostics Scientific Instruments: ACS/WFC, WFPC2, NIC3 Special Requirements: PCS MODE FINE; SAME ORIENT AS B1; AFTER B1 BY 29.7 D TO 31.7 D									
	Fixed Targets	#	Name	Target Coordinates	Targ. Coord. Corrections	Fluxes	Miscellaneous			
	(6)	NGC4921-PA299	RA: 13 01 26.0000 (195.3583333d) Dec: +27 53 10.00 (27.88611d) Equinox: J2000			V=13.0	Reference Frame: ICRS			
Exposures	#	Label	Target	Config,Mode,Aperture	Spectral Els.	Opt. Params.	Special Reqs.	Groups	Exp. Time/[Actual Dur.]	Orbit
	1		(6) NGC4921-PA29 9	ACS/WFC, ACCUM, WFC-FIX	F606W	CR-SPLIT=2; GAIN=2	POS TARG -0.05,-0.025	Prime + Parallel Group 1-3	2400.0 Secs [==>1220.0 Secs (Split 1)] [==>1220.0 Secs (Split 2)]	[1]
	2		ANY	WFPC2, IMAGE, WFALL	F606W	CLOCKS=YES; CR-SPLIT=DEF		Prime + Parallel Group 1-3	2400.0 Secs [==>1300.0 Secs (Split 1)] [==>1200.0 Secs (Split 2)]	[1]
	3		ANY	NIC3, MULTIACCUM, NIC3-FIX	F160W	SAMP-SEQ=SPARS 128; OFFSET=SAM; NSAMP=23		Prime + Parallel Group 1-3	[==>]	[1]
	4		(6) NGC4921-PA29 9	ACS/WFC, ACCUM, WFC-FIX	F606W	CR-SPLIT=2; GAIN=2	POS TARG -0.115,0.105	Prime + Parallel Group 4-6	2400.0 Secs [==>1251.0 Secs (Split 1)] [==>1251.0 Secs (Split 2)]	[2]
	5		ANY	WFPC2, IMAGE, WFALL	F814W	CLOCKS=YES; CR-SPLIT=DEF		Prime + Parallel Group 4-6	2400.0 Secs [==>1300.0 Secs (Split 1)] [==>1200.0 Secs (Split 2)]	[2]
	6		ANY	NIC3, MULTIACCUM, NIC3-FIX	F110W	SAMP-SEQ=SPARS 128; OFFSET=SAM; NSAMP=23		Prime + Parallel Group 4-6	[==>]	[2]
	7		(6) NGC4921-PA29 9	ACS/WFC, ACCUM, WFC-FIX	F606W	CR-SPLIT=2; GAIN=2	POS TARG -0.18,-0.09	Prime + Parallel Group 7-9	2400.0 Secs [==>1251.0 Secs (Split 1)] [==>1251.0 Secs (Split 2)]	[3]
8		ANY	WFPC2, IMAGE, WFALL	F814W	CLOCKS=YES; CR-SPLIT=DEF		Prime + Parallel Group 7-9	2400.0 Secs [==>1300.0 Secs (Split 1)] [==>1200.0 Secs (Split 2)]	[3]	

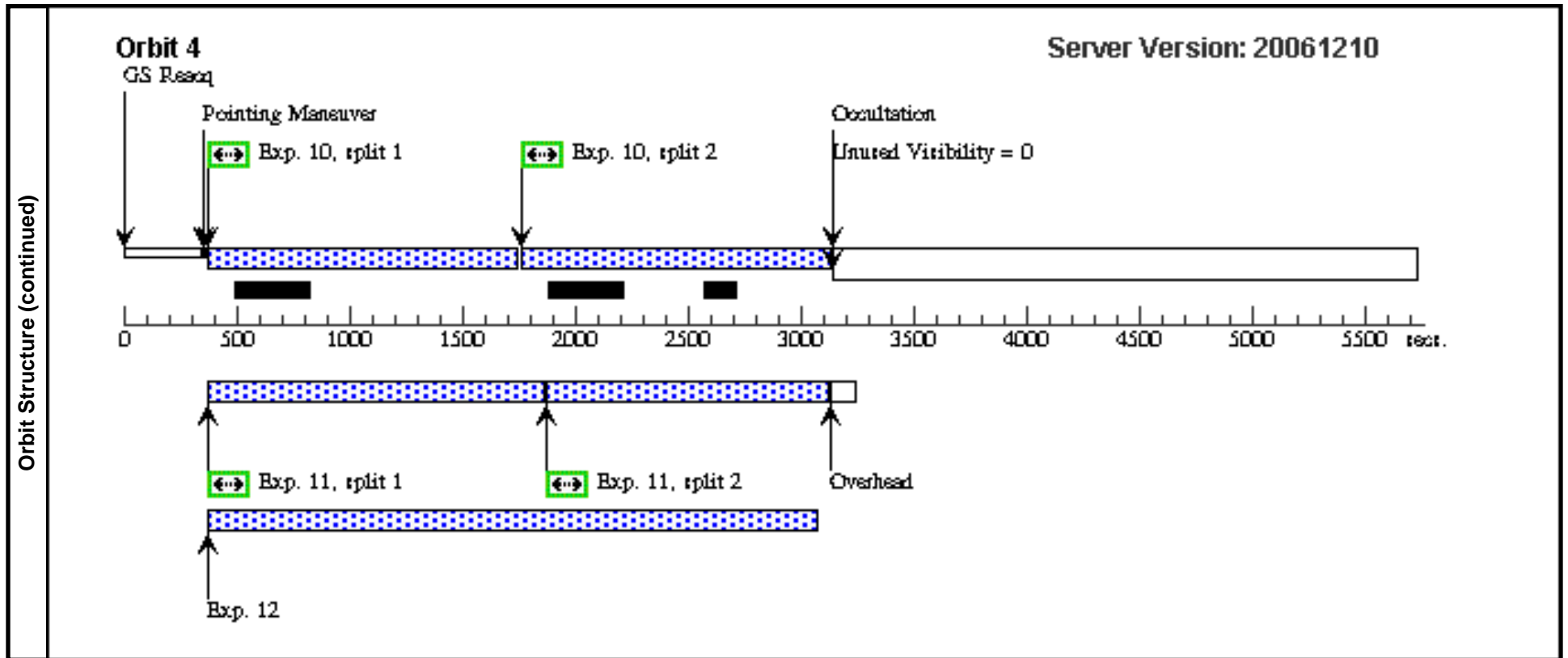
Proposal 10842 - Visit B4 - A Cepheid Distance to the Coma Cluster

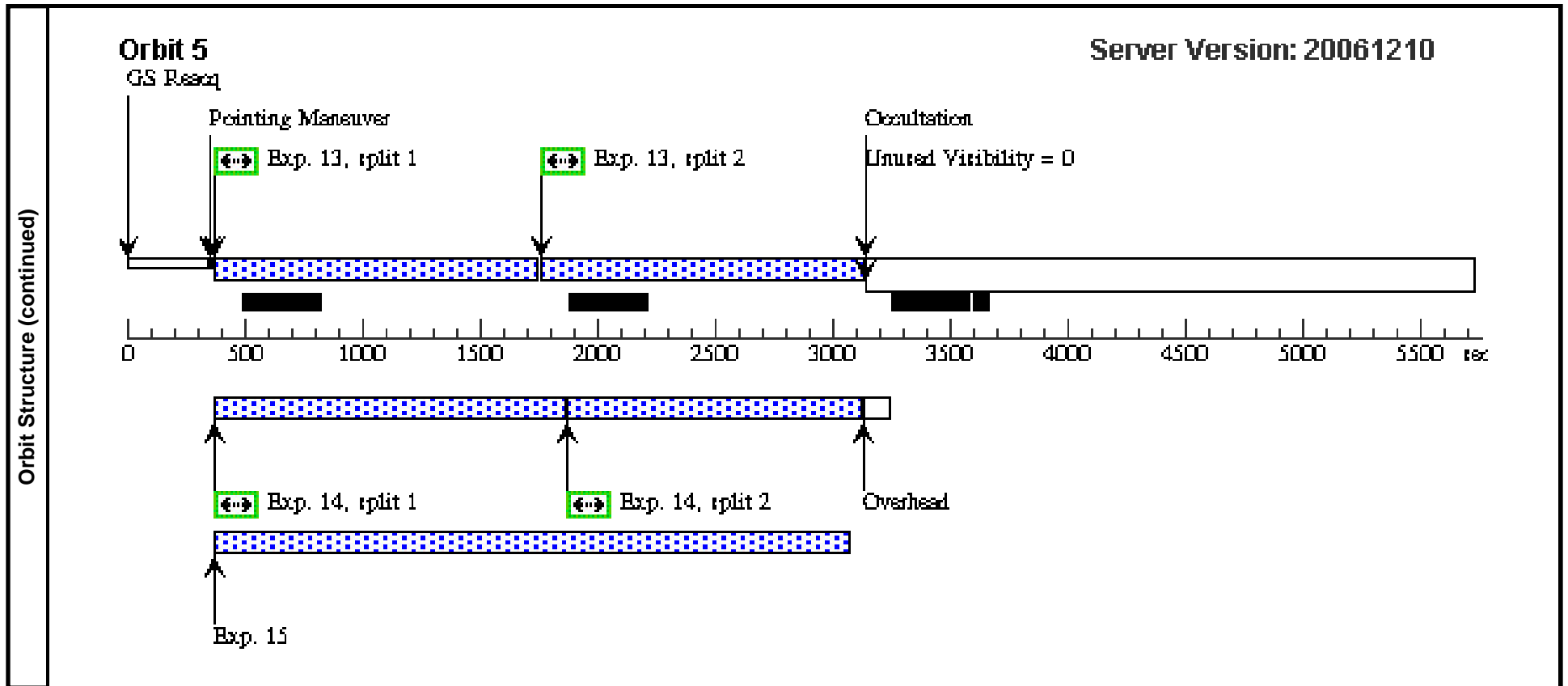
Exposures (continued)	#	Label	Target	Config,Mode,Aperture	Spectral Els.	Opt. Params.	Special Reqs.	Groups	Exp. Time/[Actual Dur.]	Orbit
	9		ANY	NIC3, MULTIACCUM, NIC3-FIX	F160W	SAMP-SEQ=SPARS 128; OFFSET=SAM; NSAMP=23		Prime + Parallel Group 7-9	[==>]	[3]
	10	(6) 9	NGC4921-PA29	ACS/WFC, ACCUM, WFC-FIX	F606W	CR-SPLIT=2; GAIN=2	POS TARG 0.015,-0 .155	Prime + Parallel Group 10-12	2400.0 Secs [==>1251.0 Secs (Split 1)] [==>1251.0 Secs (Split 2)]	[4]
	11		ANY	WFPC2, IMAGE, WFALL	F450W	CLOCKS=YES; CR-SPLIT=DEF		Prime + Parallel Group 10-12	2400.0 Secs [==>1300.0 Secs (Split 1)] [==>1200.0 Secs (Split 2)]	[4]
	12		ANY	NIC3, MULTIACCUM, NIC3-FIX	F110W	SAMP-SEQ=SPARS 128; OFFSET=SAM; NSAMP=23		Prime + Parallel Group 10-12	[==>]	[4]
	13	(6) 9	NGC4921-PA29	ACS/WFC, ACCUM, WFC-FIX	F606W	CR-SPLIT=2; GAIN=2	POS TARG 0.08,0.0 4	Prime + Parallel Group 13-15	2400.0 Secs [==>1251.0 Secs (Split 1)] [==>1251.0 Secs (Split 2)]	[5]
	14		ANY	WFPC2, IMAGE, WFALL	F450W	CLOCKS=YES; CR-SPLIT=DEF		Prime + Parallel Group 13-15	2400.0 Secs [==>1300.0 Secs (Split 1)] [==>1200.0 Secs (Split 2)]	[5]
	15		ANY	NIC3, MULTIACCUM, NIC3-FIX	F110W	SAMP-SEQ=SPARS 128; OFFSET=SAM; NSAMP=23		Prime + Parallel Group 13-15	[==>]	[5]











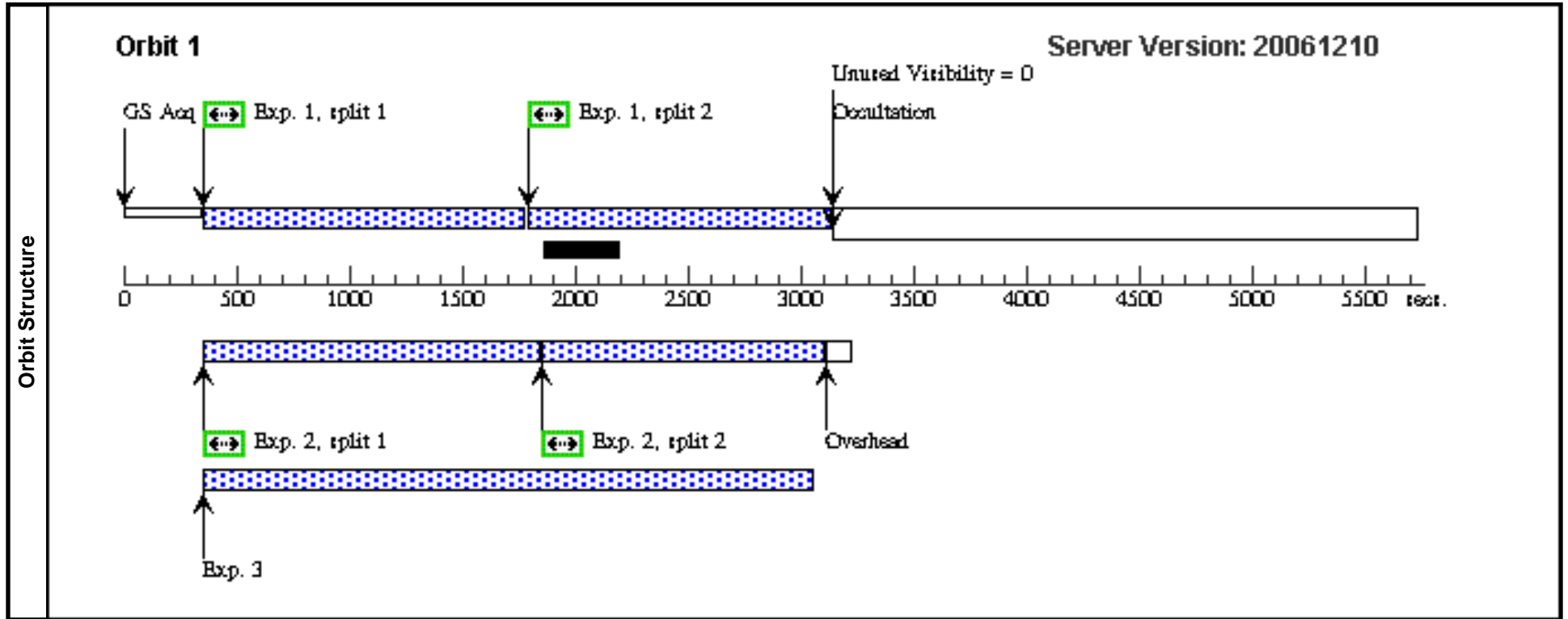
Proposal 10842 - Visit B5 - A Cepheid Distance to the Coma Cluster

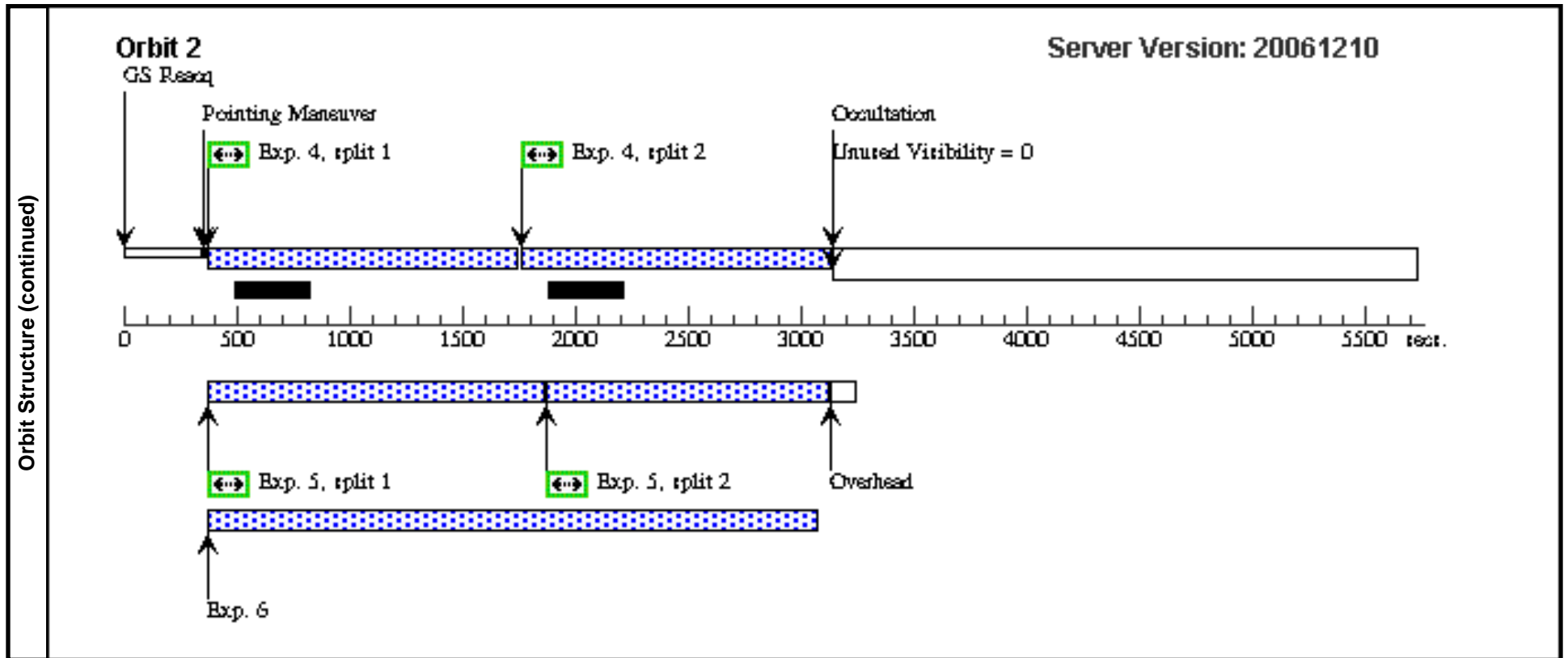
Fri Jan 19 02:15:27 GMT 2007

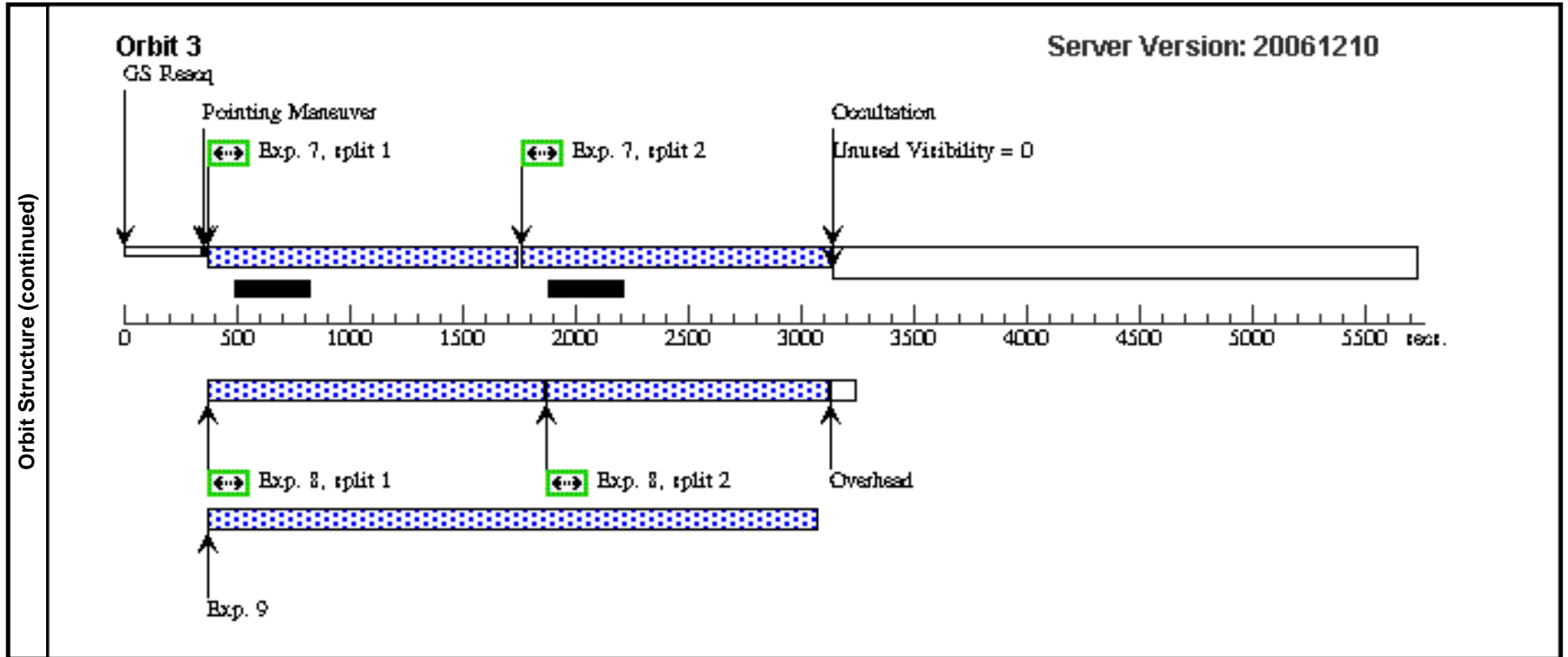
Visit		Proposal 10842, Visit B5, scheduling Diagnostic Status: No Diagnostics Scientific Instruments: ACS/WFC, WFPC2, NIC3 Special Requirements: PCS MODE FINE; ORIENT 266.0D TO 266.0 D; AFTER B1 BY 37.8 D TO 38.4 D									
Fixed Targets	#	Name	Target Coordinates	Targ. Coord.	Corrections	Fluxes	Miscellaneous				
		(7)	NGC4921-PA266	RA: 13 01 25.7500 (195.3572917d) Dec: +27 53 10.00 (27.88611d) Equinox: J2000			V=13.0	Reference Frame: ICRS			
Exposures	#	Label	Target	Config,Mode,Aperture	Spectral Els.	Opt. Params.	Special Reqs.	Groups	Exp. Time/[Actual Dur.]	Orbit	
	1		(7) NGC4921-PA26 6	ACS/WFC, ACCUM, WFC-FIX	F606W	CR-SPLIT=2; GAIN=2		Prime + Parallel Group 1-3	2400.0 Secs [==>1220.0 Secs (Split 1)] [==>1220.0 Secs (Split 2)]	[1]	
	2		ANY	WFPC2, IMAGE, WFALL	F606W	CLOCKS=YES; CR-SPLIT=DEF		Prime + Parallel Group 1-3	2400.0 Secs [==>1300.0 Secs (Split 1)] [==>1200.0 Secs (Split 2)]	[1]	
	3		ANY	NIC3, MULTIACCUM, NIC3-FIX	F160W	SAMP-SEQ=SPARS 128; OFFSET=SAM; NSAMP=23		Prime + Parallel Group 1-3	[==>]	[1]	
	4		(7) NGC4921-PA26 6	ACS/WFC, ACCUM, WFC-FIX	F606W	CR-SPLIT=2; GAIN=2	POS TARG 0.13,-0.065	Prime + Parallel Group 4-6	2400.0 Secs [==>1251.0 Secs (Split 1)] [==>1251.0 Secs (Split 2)]	[2]	
	5		ANY	WFPC2, IMAGE, WFALL	F606W	CLOCKS=YES; CR-SPLIT=DEF		Prime + Parallel Group 4-6	2400.0 Secs [==>1300.0 Secs (Split 1)] [==>1200.0 Secs (Split 2)]	[2]	
	6		ANY	NIC3, MULTIACCUM, NIC3-FIX	F110W	SAMP-SEQ=SPARS 128; OFFSET=SAM; NSAMP=23		Prime + Parallel Group 4-6	[==>]	[2]	
	7		(7) NGC4921-PA26 6	ACS/WFC, ACCUM, WFC-FIX	F606W	CR-SPLIT=2; GAIN=2	POS TARG -0.065,-0.13	Prime + Parallel Group 7-9	2400.0 Secs [==>1251.0 Secs (Split 1)] [==>1251.0 Secs (Split 2)]	[3]	
8		ANY	WFPC2, IMAGE, WFALL	F814W	CLOCKS=YES; CR-SPLIT=DEF		Prime + Parallel Group 7-9	2400.0 Secs [==>1300.0 Secs (Split 1)] [==>1200.0 Secs (Split 2)]	[3]		

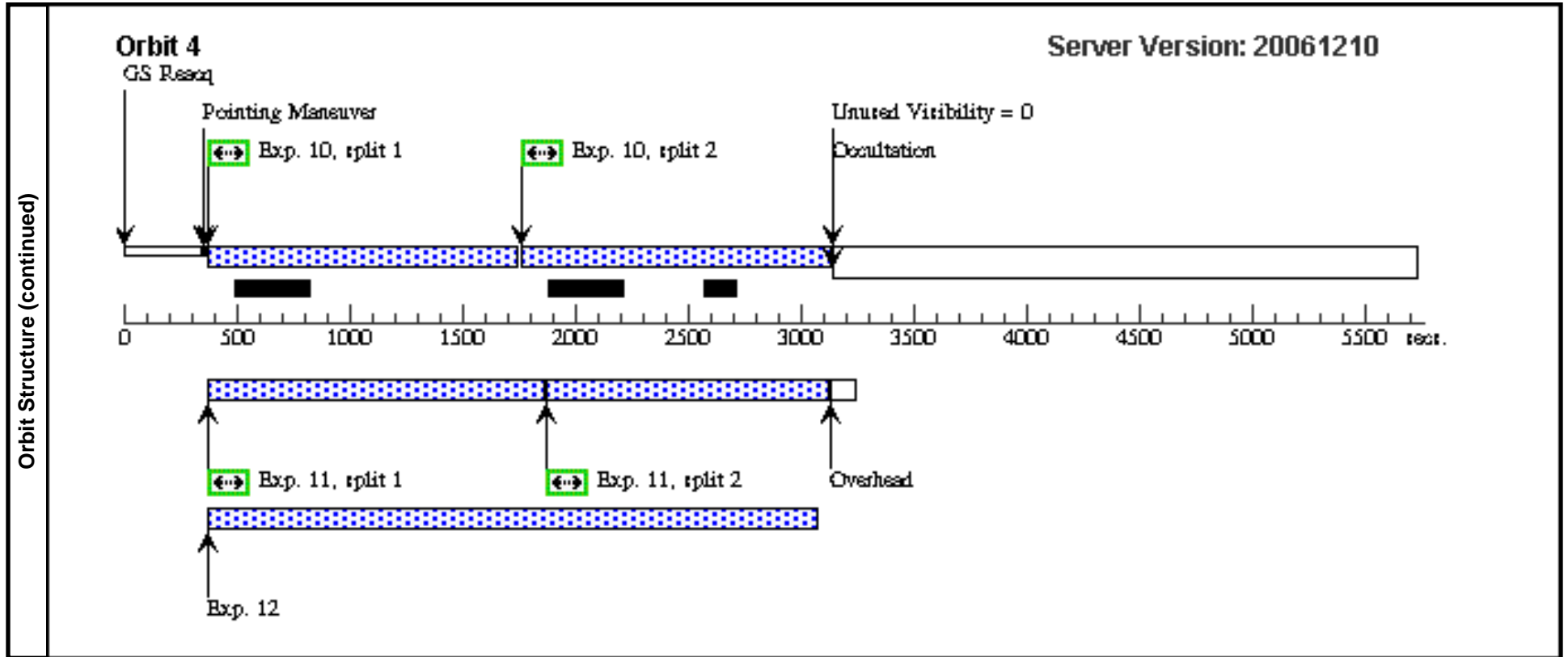
Proposal 10842 - Visit B5 - A Cepheid Distance to the Coma Cluster

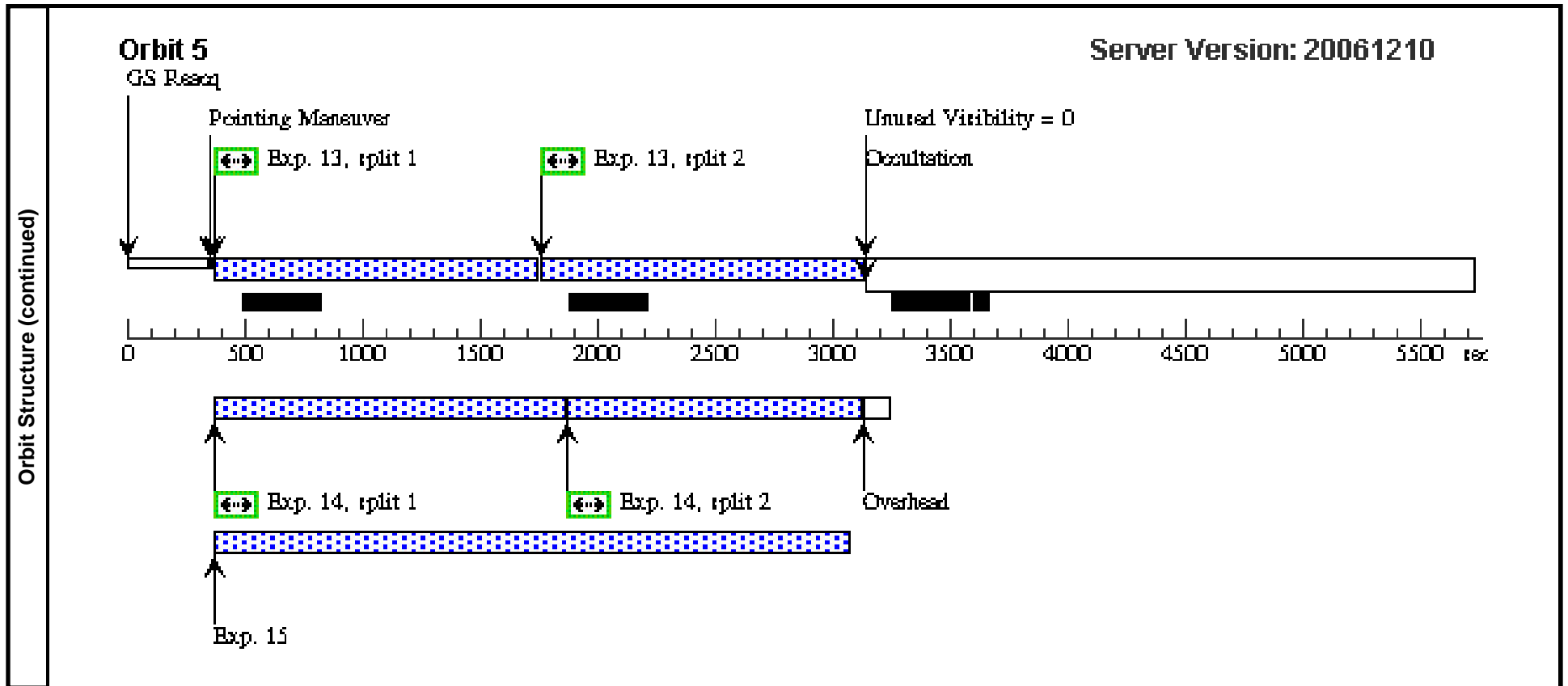
Exposures (continued)	#	Label	Target	Config,Mode,Aperture	Spectral Els.	Opt. Params.	Special Reqs.	Groups	Exp. Time/[Actual Dur.]	Orbit
	9		ANY	NIC3, MULTIACCUM, NIC3-FIX	F160W	SAMP-SEQ=SPARS 128; OFFSET=SAM; NSAMP=23		Prime + Parallel Group 7-9	[==>]	[3]
	10		(7) NGC4921-PA26 6	ACS/WFC, ACCUM, WFC-FIX	F606W	CR-SPLIT=2; GAIN=2	POS TARG -0.13,0. 065	Prime + Parallel Group 10-12	2400.0 Secs [==>1251.0 Secs (Split 1)] [==>1251.0 Secs (Split 2)]	[4]
	11		ANY	WFPC2, IMAGE, WFALL	F450W	CLOCKS=YES; CR-SPLIT=DEF		Prime + Parallel Group 10-12	2400.0 Secs [==>1300.0 Secs (Split 1)] [==>1200.0 Secs (Split 2)]	[4]
	12		ANY	NIC3, MULTIACCUM, NIC3-FIX	F110W	SAMP-SEQ=SPARS 128; OFFSET=SAM; NSAMP=23		Prime + Parallel Group 10-12	[==>]	[4]
	13		(7) NGC4921-PA26 6	ACS/WFC, ACCUM, WFC-FIX	F606W	CR-SPLIT=2; GAIN=2	POS TARG 0.065,0. 13	Prime + Parallel Group 13-15	2400.0 Secs [==>1251.0 Secs (Split 1)] [==>1251.0 Secs (Split 2)]	[5]
	14		ANY	WFPC2, IMAGE, WFALL	F450W	CLOCKS=YES; CR-SPLIT=DEF		Prime + Parallel Group 13-15	2400.0 Secs [==>1300.0 Secs (Split 1)] [==>1200.0 Secs (Split 2)]	[5]
	15		ANY	NIC3, MULTIACCUM, NIC3-FIX	F160W	SAMP-SEQ=SPARS 128; OFFSET=SAM; NSAMP=23		Prime + Parallel Group 13-15	[==>]	[5]











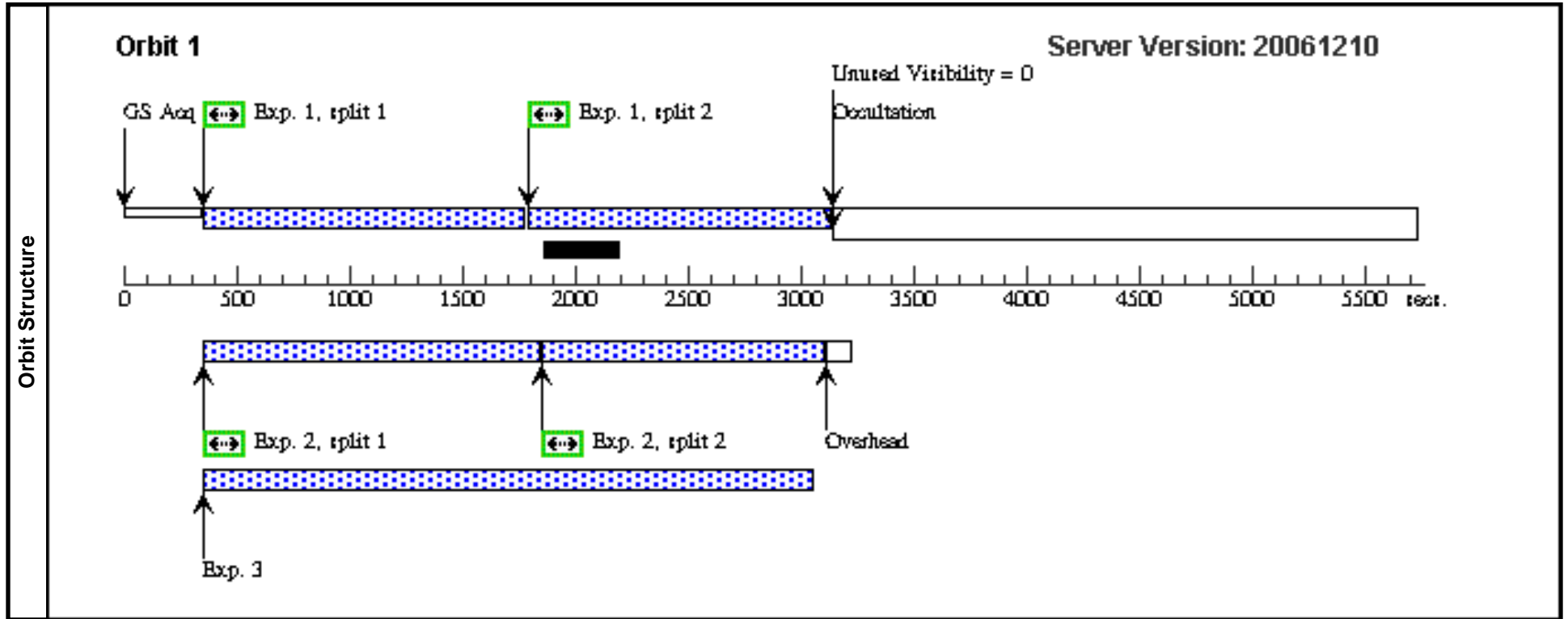
Proposal 10842 - Visit B6 - A Cepheid Distance to the Coma Cluster

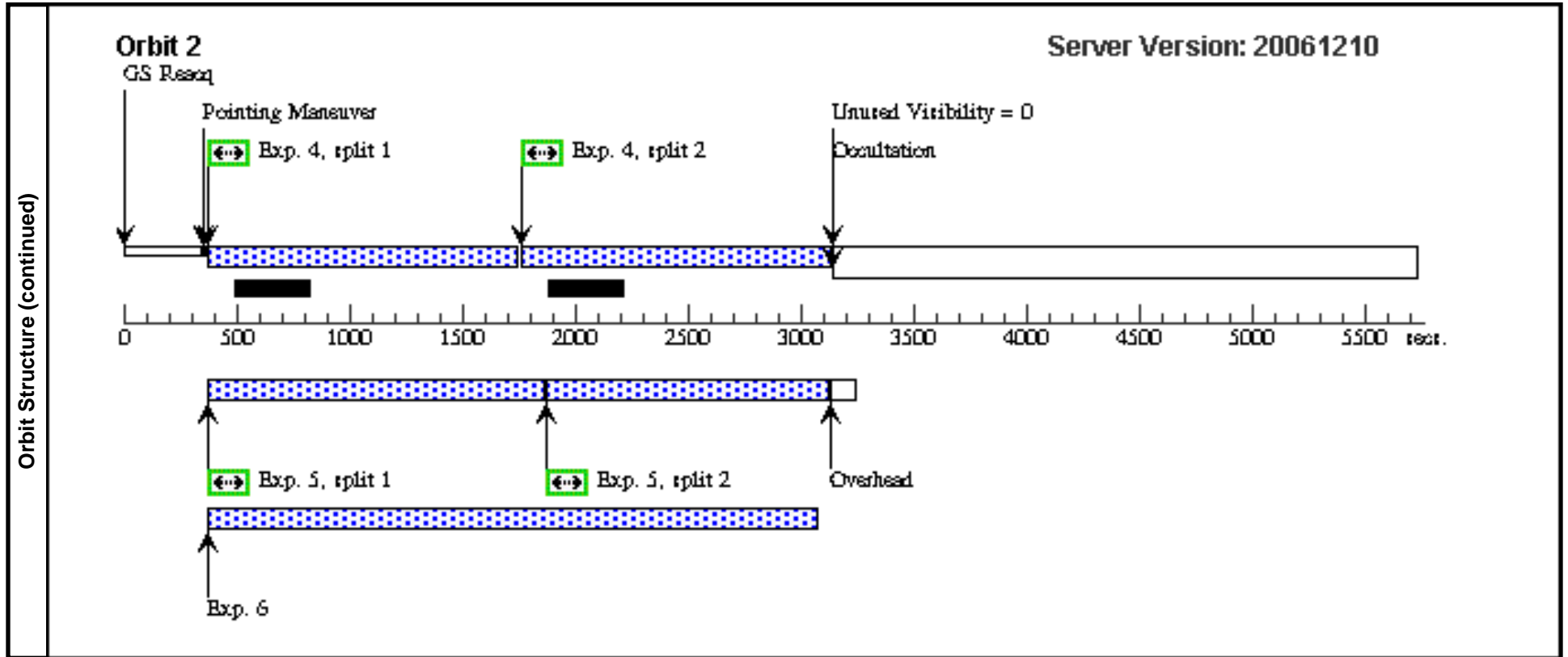
Fri Jan 19 02:15:28 GMT 2007

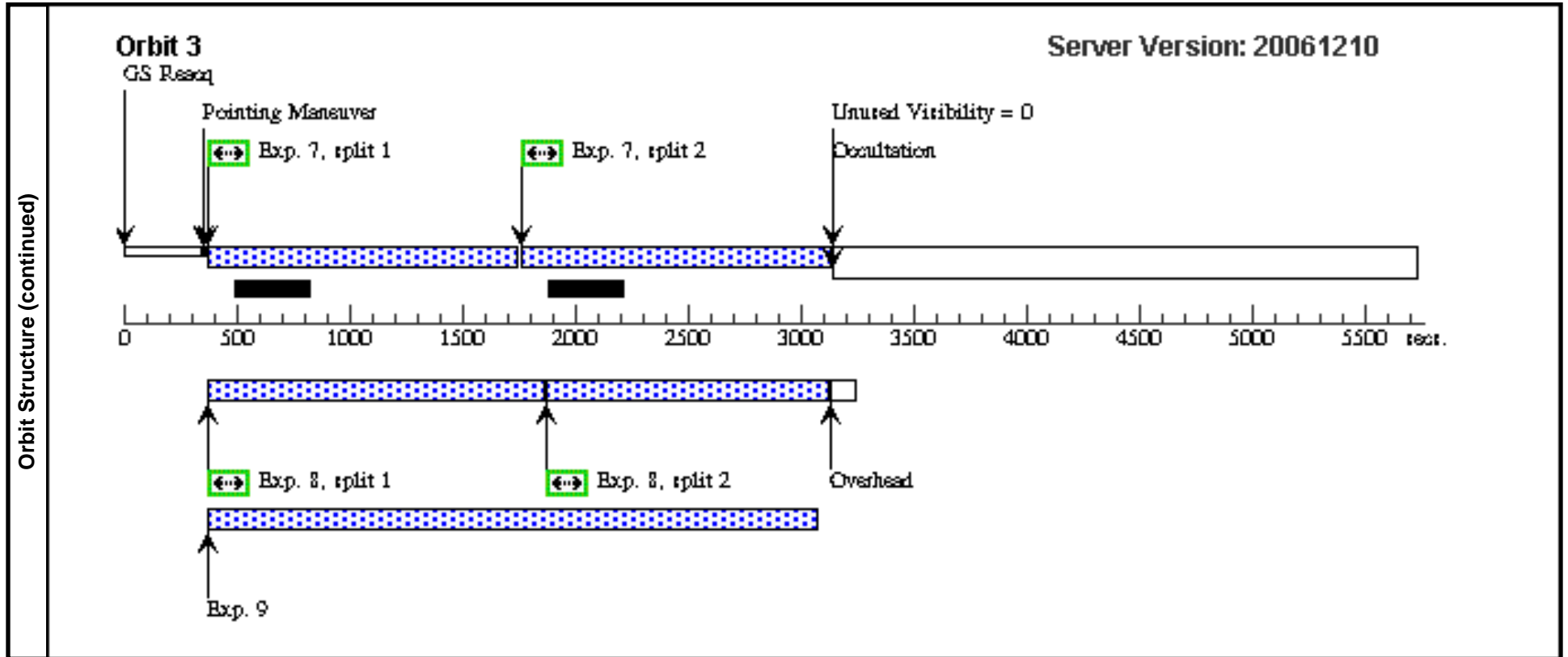
Visit	Proposal 10842, Visit B6, scheduling Diagnostic Status: No Diagnostics Scientific Instruments: ACS/WFC, WFPC2, NIC3 Special Requirements: PCS MODE FINE; SAME ORIENT AS B5; AFTER B1 BY 46.5 D TO 47.5 D									
	Fixed Targets	#	Name	Target Coordinates	Targ. Coord.	Corrections	Fluxes	Miscellaneous		
	(7)	NGC4921-PA266	RA: 13 01 25.7500 (195.3572917d) Dec: +27 53 10.00 (27.88611d) Equinox: J2000			V=13.0	Reference Frame: ICRS			
Exposures	#	Label	Target	Config,Mode,Aperture	Spectral Els.	Opt. Params.	Special Reqs.	Groups	Exp. Time/[Actual Dur.]	Orbit
	1		(7) NGC4921-PA266	ACS/WFC, ACCUM, WFC-FIX	F606W	CR-SPLIT=2; GAIN=2	POS TARG -0.025,0 .025	Prime + Parallel Group 1-3	2400.0 Secs [==>1220.0 Secs (Split 1)] [==>1220.0 Secs (Split 2)]	[1]
	2		ANY	WFPC2, IMAGE, WFALL	F606W	CLOCKS=YES; CR-SPLIT=DEF		Prime + Parallel Group 1-3	2500.0 Secs [==>1300.0 Secs (Split 1)] [==>1200.0 Secs (Split 2)]	[1]
	3		ANY	NIC3, MULTIACCUM, NIC3-FIX	F160W	SAMP-SEQ=SPARS 128; OFFSET=SAM; NSAMP=23		Prime + Parallel Group 1-3	[==>]	[1]
	4		(7) NGC4921-PA266	ACS/WFC, ACCUM, WFC-FIX	F606W	CR-SPLIT=2; GAIN=2	POS TARG 0.105,-0 .04	Prime + Parallel Group 4-6	2400.0 Secs [==>1251.0 Secs (Split 1)] [==>1251.0 Secs (Split 2)]	[2]
	5		ANY	WFPC2, IMAGE, WFALL	F606W	CLOCKS=YES; CR-SPLIT=DEF		Prime + Parallel Group 4-6	2500.0 Secs [==>1300.0 Secs (Split 1)] [==>1200.0 Secs (Split 2)]	[2]
	6		ANY	NIC3, MULTIACCUM, NIC3-FIX	F110W	SAMP-SEQ=SPARS 128; OFFSET=SAM; NSAMP=23		Prime + Parallel Group 4-6	[==>]	[2]
	7		(7) NGC4921-PA266	ACS/WFC, ACCUM, WFC-FIX	F606W	CR-SPLIT=2; GAIN=2	POS TARG -0.09,-0 105	Prime + Parallel Group 7-9	2400.0 Secs [==>1251.0 Secs (Split 1)] [==>1251.0 Secs (Split 2)]	[3]
8		ANY	WFPC2, IMAGE, WFALL	F814W	CLOCKS=YES; CR-SPLIT=DEF		Prime + Parallel Group 7-9	2500.0 Secs [==>1300.0 Secs (Split 1)] [==>1200.0 Secs (Split 2)]	[3]	

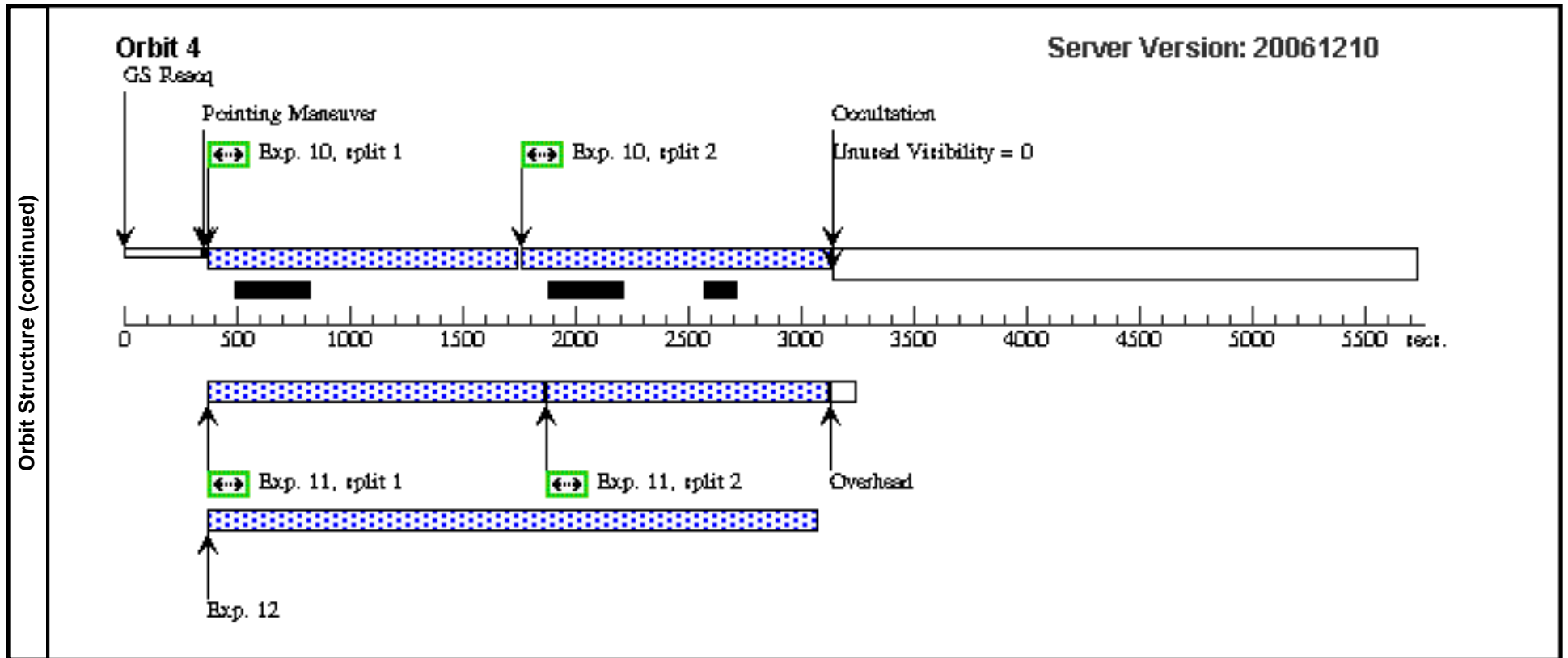
Proposal 10842 - Visit B6 - A Cepheid Distance to the Coma Cluster

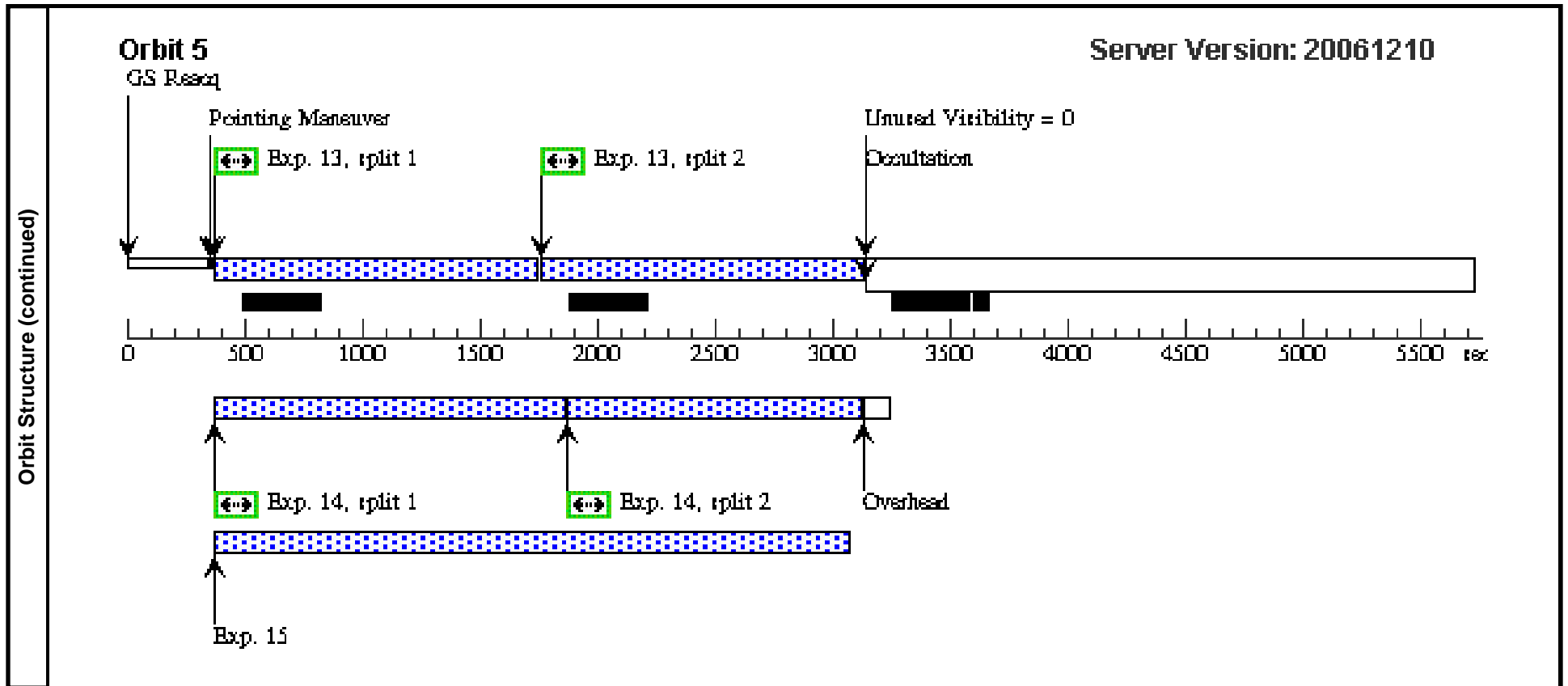
Exposures (continued)	#	Label	Target	Config,Mode,Aperture	Spectral Els.	Opt. Params.	Special Reqs.	Groups	Exp. Time/[Actual Dur.]	Orbit
	9		ANY	NIC3, MULTIACCUM, NIC3-FIX	F160W	SAMP-SEQ=SPARS 128; OFFSET=SAM; NSAMP=23		Prime + Parallel Group 7-9	[==>]	[3]
	10	(7) NGC4921-PA26 6		ACS/WFC, ACCUM, WFC-FIX	F606W	CR-SPLIT=2; GAIN=2	POS TARG -0.155,0 .09	Prime + Parallel Group 10-12	2400.0 Secs [==>1251.0 Secs (Split 1)] [==>1251.0 Secs (Split 2)]	[4]
	11		ANY	WFPC2, IMAGE, WFALL	F450W	CLOCKS=YES; CR-SPLIT=DEF		Prime + Parallel Group 10-12	2500.0 Secs [==>1300.0 Secs (Split 1)] [==>1200.0 Secs (Split 2)]	[4]
	12		ANY	NIC3, MULTIACCUM, NIC3-FIX	F110W	SAMP-SEQ=SPARS 128; OFFSET=SAM; NSAMP=23		Prime + Parallel Group 10-12	[==>]	[4]
	13	(7) NGC4921-PA26 6		ACS/WFC, ACCUM, WFC-FIX	F606W	CR-SPLIT=2; GAIN=2	POS TARG 0.04,0.1 55	Prime + Parallel Group 13-15	2400.0 Secs [==>1251.0 Secs (Split 1)] [==>1251.0 Secs (Split 2)]	[5]
	14		ANY	WFPC2, IMAGE, WFALL	F450W	CLOCKS=YES; CR-SPLIT=DEF		Prime + Parallel Group 13-15	2500.0 Secs [==>1300.0 Secs (Split 1)] [==>1200.0 Secs (Split 2)]	[5]
	15		ANY	NIC3, MULTIACCUM, NIC3-FIX	F160W	SAMP-SEQ=SPARS 128; OFFSET=SAM; NSAMP=23		Prime + Parallel Group 13-15	[==>]	[5]











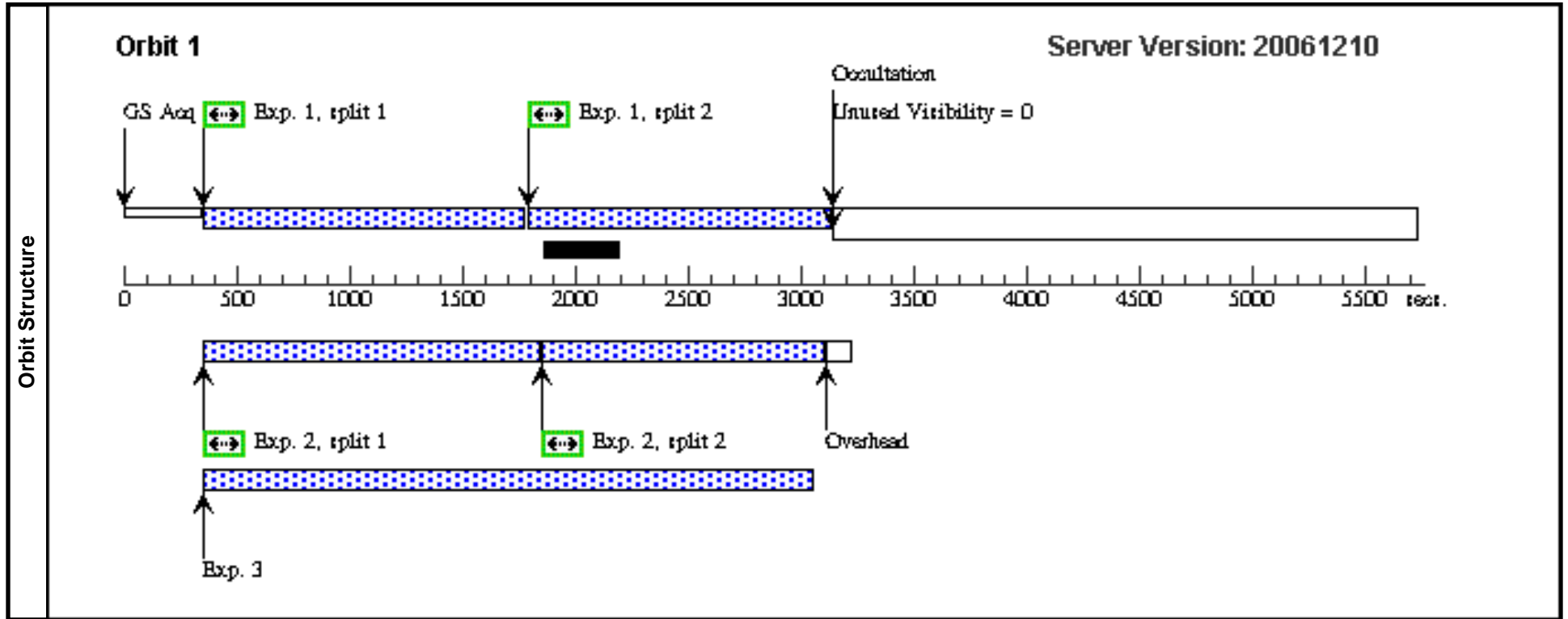
Proposal 10842 - Visit BW - A Cepheid Distance to the Coma Cluster

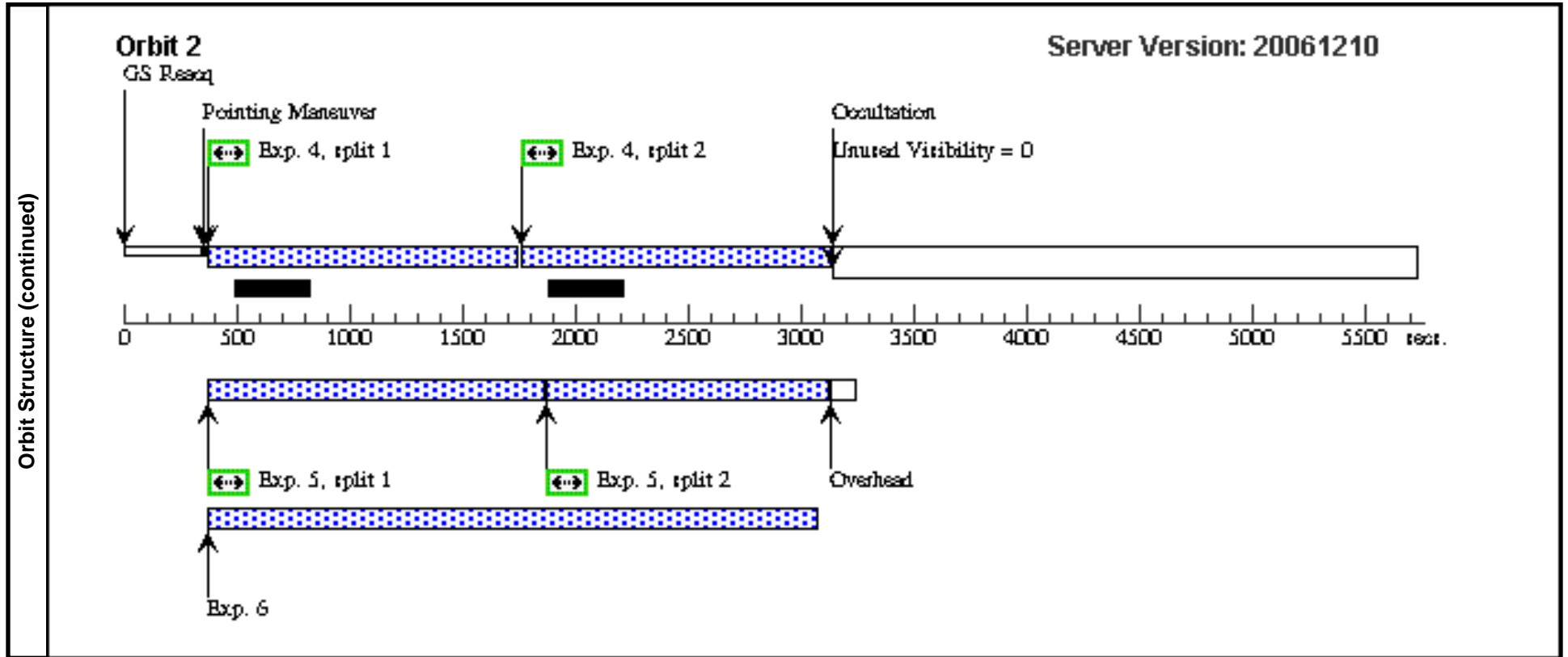
Fri Jan 19 02:15:29 GMT 2007

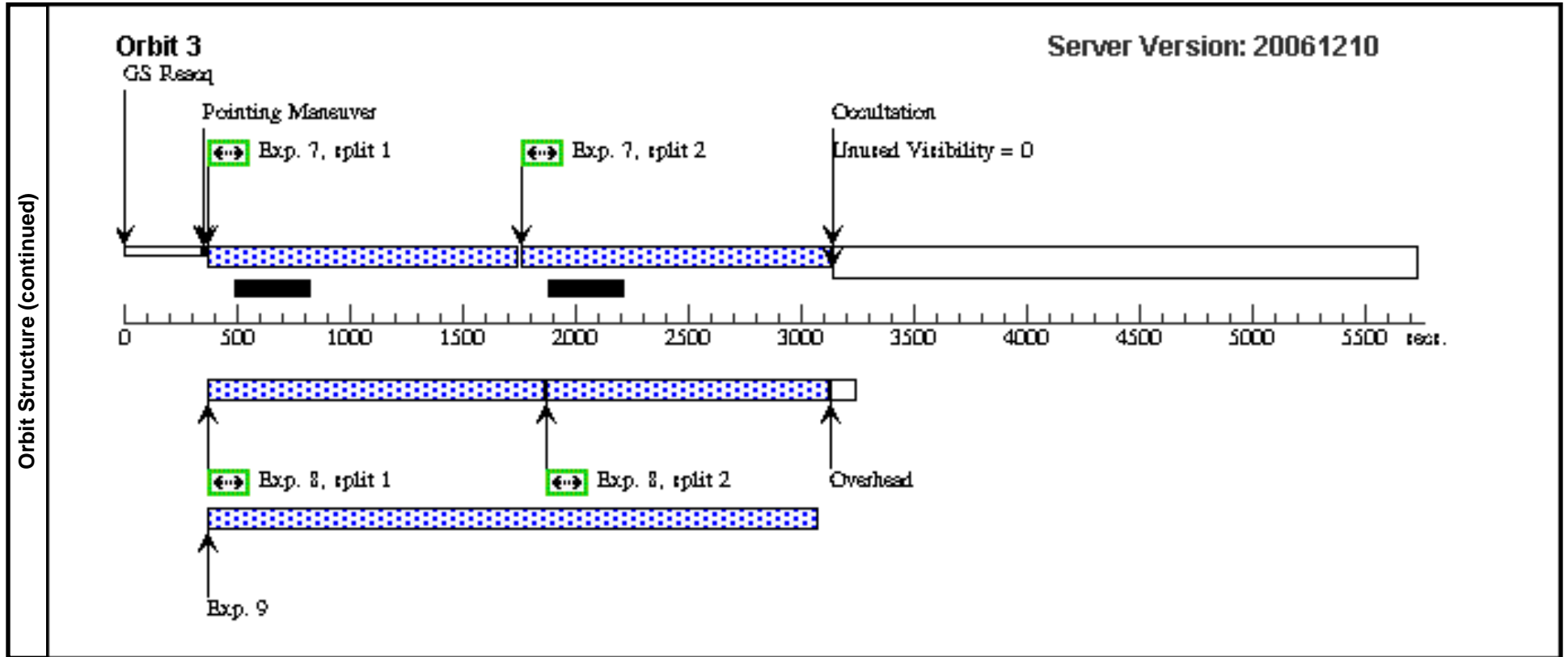
Visit	Proposal 10842, Visit BW, scheduling Diagnostic Status: No Diagnostics Scientific Instruments: ACS/WFC, WFPC2, NIC3 Special Requirements: PCS MODE FINE; SAME ORIENT AS B5; AFTER B5 BY 0 D TO 10 D									
	Fixed Targets	#	Name	Target Coordinates	Targ. Coord. Corrections	Fluxes	Miscellaneous			
	(7)	NGC4921-PA266	RA: 13 01 25.7500 (195.3572917d) Dec: +27 53 10.00 (27.88611d) Equinox: J2000		V=13.0	Reference Frame: ICRS				
Exposures	#	Label	Target	Config,Mode,Aperture	Spectral Els.	Opt. Params.	Special Reqs.	Groups	Exp. Time/[Actual Dur.]	Orbit
	1		(7) NGC4921-PA266	ACS/WFC, ACCUM, WFC-FIX	F814W	CR-SPLIT=2; GAIN=2	POS TARG 0.025,0.05	Prime + Parallel Group 1-3	2400.0 Secs [==>1220.0 Secs (Split 1)] [==>1220.0 Secs (Split 2)]	[1]
	2		ANY	WFPC2, IMAGE, WFALL	F606W	CLOCKS=YES; CR-SPLIT=DEF		Prime + Parallel Group 1-3	2500.0 Secs [==>1300.0 Secs (Split 1)] [==>1200.0 Secs (Split 2)]	[1]
	3		ANY	NIC3, MULTIACCUM, NIC3-FIX	F160W	SAMP-SEQ=SPARS 128; OFFSET=SAM; NSAMP=23		Prime + Parallel Group 1-3	[==>]	[1]
	4		(7) NGC4921-PA266	ACS/WFC, ACCUM, WFC-FIX	F814W	CR-SPLIT=2; GAIN=2	POS TARG -0.04,0.18	Prime + Parallel Group 4-6	2400.0 Secs [==>1251.0 Secs (Split 1)] [==>1251.0 Secs (Split 2)]	[2]
	5		ANY	WFPC2, IMAGE, WFALL	F606W	CLOCKS=YES; CR-SPLIT=DEF		Prime + Parallel Group 4-6	2500.0 Secs [==>1300.0 Secs (Split 1)] [==>1200.0 Secs (Split 2)]	[2]
	6		ANY	NIC3, MULTIACCUM, NIC3-FIX	F110W	SAMP-SEQ=SPARS 128; OFFSET=SAM; NSAMP=23		Prime + Parallel Group 4-6	[==>]	[2]
	7		(7) NGC4921-PA266	ACS/WFC, ACCUM, WFC-FIX	F814W	CR-SPLIT=2; GAIN=2	POS TARG -0.105,-0.015	Prime + Parallel Group 7-9	2400.0 Secs [==>1251.0 Secs (Split 1)] [==>1251.0 Secs (Split 2)]	[3]
8		ANY	WFPC2, IMAGE, WFALL	F814W	CLOCKS=YES; CR-SPLIT=DEF		Prime + Parallel Group 7-9	2500.0 Secs [==>1300.0 Secs (Split 1)] [==>1200.0 Secs (Split 2)]	[3]	

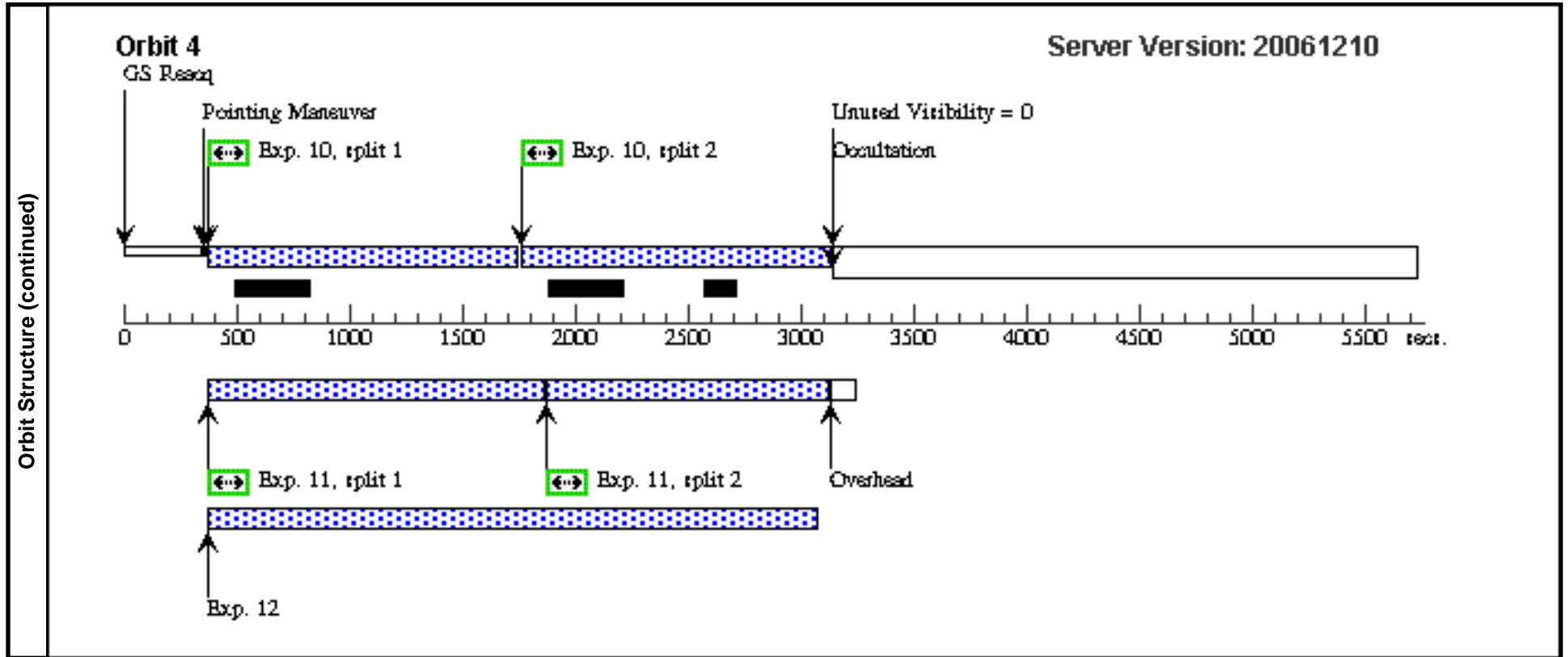
Proposal 10842 - Visit BW - A Cepheid Distance to the Coma Cluster

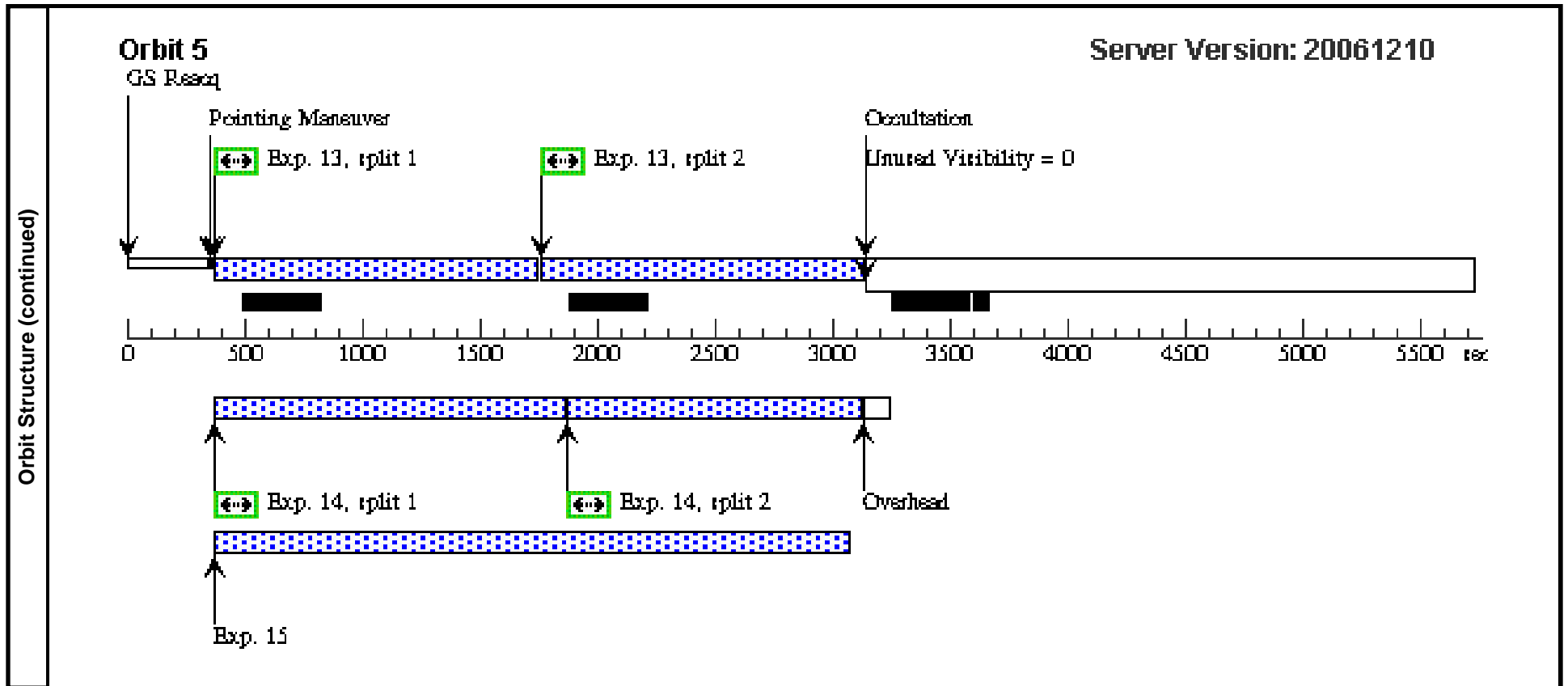
Exposures (continued)	#	Label	Target	Config,Mode,Aperture	Spectral Els.	Opt. Params.	Special Reqs.	Groups	Exp. Time/[Actual Dur.]	Orbit
	9		ANY	NIC3, MULTIACCUM, NIC3-FIX	F160W	SAMP-SEQ=SPARS 128; OFFSET=SAM; NSAMP=23		Prime + Parallel Group 7-9	[==>]	[3]
	10	(7) NGC4921-PA26 6		ACS/WFC, ACCUM, WFC-FIX	F814W	CR-SPLIT=2; GAIN=2	POS TARG 0.09,-0.08	Prime + Parallel Group 10-12	2400.0 Secs [==>1251.0 Secs (Split 1)] [==>1251.0 Secs (Split 2)]	[4]
	11		ANY	WFPC2, IMAGE, WFALL	F450W	CLOCKS=YES; CR-SPLIT=DEF		Prime + Parallel Group 10-12	2500.0 Secs [==>1300.0 Secs (Split 1)] [==>1200.0 Secs (Split 2)]	[4]
	12		ANY	NIC3, MULTIACCUM, NIC3-FIX	F110W	SAMP-SEQ=SPARS 128; OFFSET=SAM; NSAMP=23		Prime + Parallel Group 10-12	[==>]	[4]
	13	(7) NGC4921-PA26 6		ACS/WFC, ACCUM, WFC-FIX	F814W	CR-SPLIT=2; GAIN=2	POS TARG 0.155,0.115	Prime + Parallel Group 13-15	2400.0 Secs [==>1251.0 Secs (Split 1)] [==>1251.0 Secs (Split 2)]	[5]
	14		ANY	WFPC2, IMAGE, WFALL	F450W	CLOCKS=YES; CR-SPLIT=DEF		Prime + Parallel Group 13-15	2500.0 Secs [==>1300.0 Secs (Split 1)] [==>1200.0 Secs (Split 2)]	[5]
	15		ANY	NIC3, MULTIACCUM, NIC3-FIX	F160W	SAMP-SEQ=SPARS 128; OFFSET=SAM; NSAMP=23		Prime + Parallel Group 13-15	[==>]	[5]











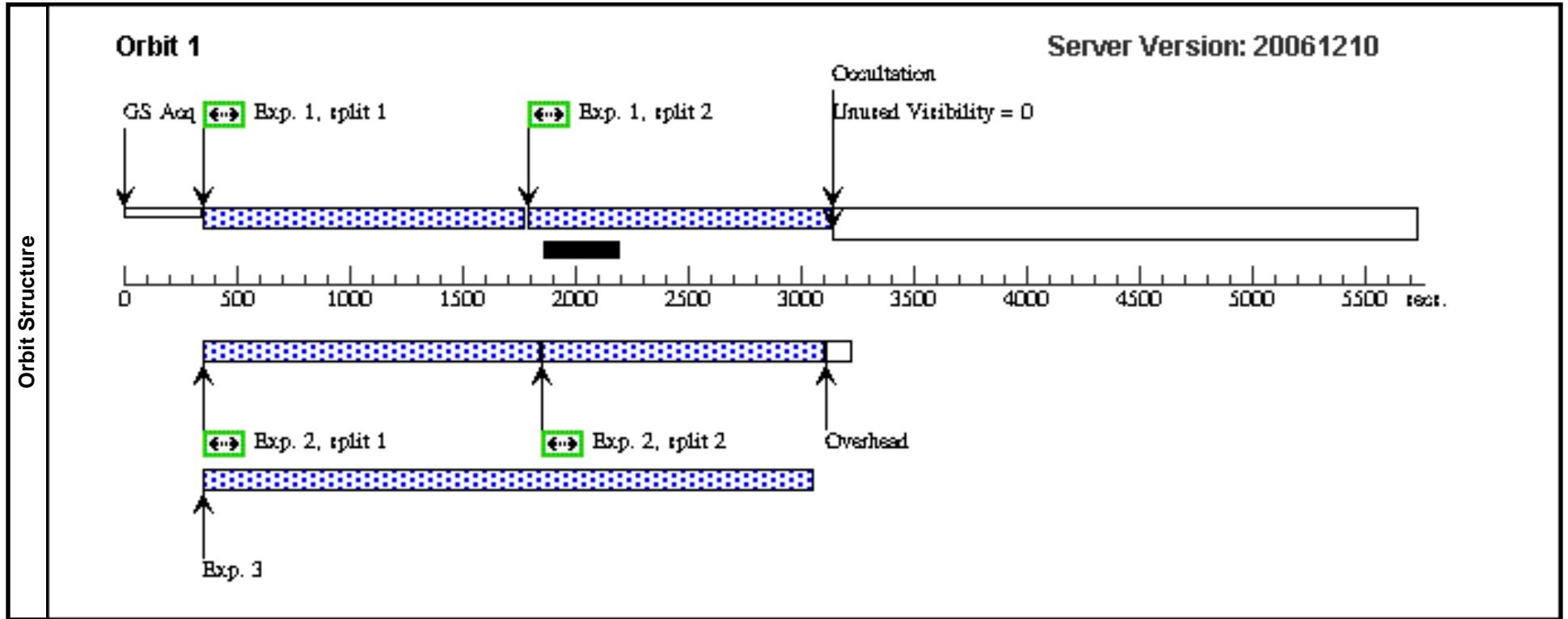
Proposal 10842 - Visit BX - A Cepheid Distance to the Coma Cluster

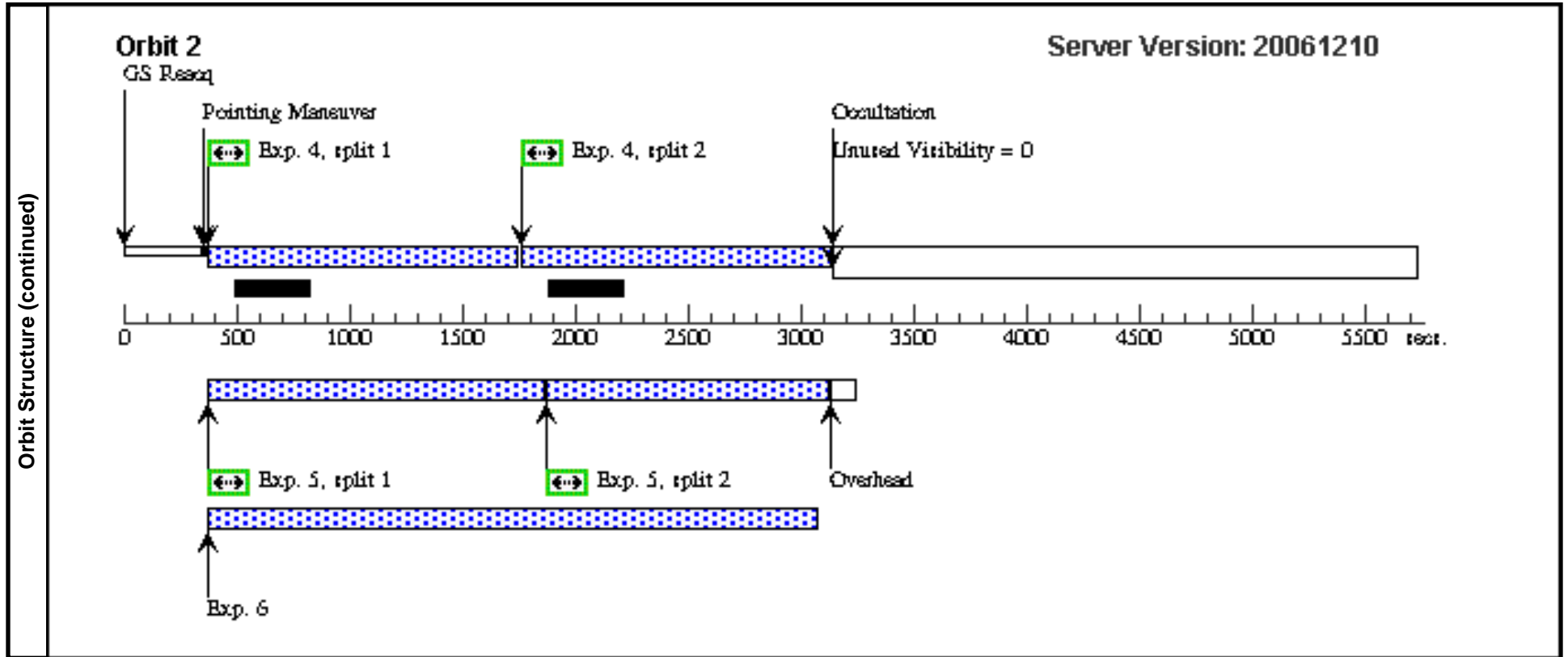
Fri Jan 19 02:15:30 GMT 2007

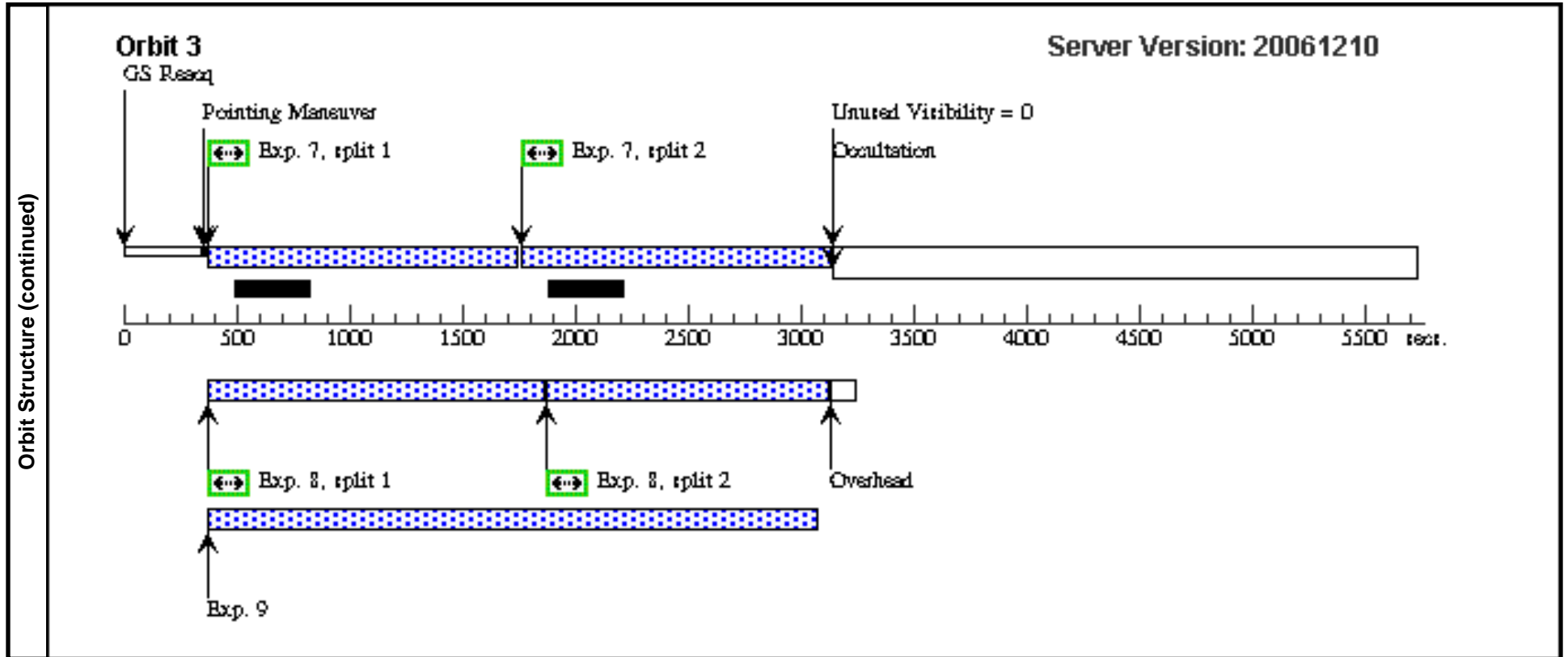
Visit	Proposal 10842, Visit BX, scheduling Diagnostic Status: No Diagnostics Scientific Instruments: ACS/WFC, WFPC2, NIC3 Special Requirements: PCS MODE FINE; SAME ORIENT AS B5; AFTER BW BY 10 D TO 20 D									
	Fixed Targets	#	Name	Target Coordinates	Targ. Coord. Corrections	Fluxes	Miscellaneous			
	(7)	NGC4921-PA266	RA: 13 01 25.7500 (195.3572917d) Dec: +27 53 10.00 (27.88611d) Equinox: J2000			V=13.0	Reference Frame: ICRS			
Exposures	#	Label	Target	Config,Mode,Aperture	Spectral Els.	Opt. Params.	Special Reqs.	Groups	Exp. Time/[Actual Dur.]	Orbit
	1		(7) NGC4921-PA266	ACS/WFC, ACCUM, WFC-FIX	F814W	CR-SPLIT=2; GAIN=2	POS TARG -0.05,-0.025	Prime + Parallel Group 1-3	2400.0 Secs [==>1220.0 Secs (Split 1)] [==>1220.0 Secs (Split 2)]	[1]
	2		ANY	WFPC2, IMAGE, WFALL	F606W	CLOCKS=YES; CR-SPLIT=DEF		Prime + Parallel Group 1-3	2500.0 Secs [==>1300.0 Secs (Split 1)] [==>1200.0 Secs (Split 2)]	[1]
	3		ANY	NIC3, MULTIACCUM, NIC3-FIX	F160W	SAMP-SEQ=SPARS 128; OFFSET=SAM; NSAMP=23		Prime + Parallel Group 1-3	[==>]	[1]
	4		(7) NGC4921-PA266	ACS/WFC, ACCUM, WFC-FIX	F814W	CR-SPLIT=2; GAIN=2	POS TARG -0.115,0.105	Prime + Parallel Group 4-6	2400.0 Secs [==>1251.0 Secs (Split 1)] [==>1251.0 Secs (Split 2)]	[2]
	5		ANY	WFPC2, IMAGE, WFALL	F814W	CLOCKS=YES; CR-SPLIT=DEF		Prime + Parallel Group 4-6	2500.0 Secs [==>1300.0 Secs (Split 1)] [==>1200.0 Secs (Split 2)]	[2]
	6		ANY	NIC3, MULTIACCUM, NIC3-FIX	F110W	SAMP-SEQ=SPARS 128; OFFSET=SAM; NSAMP=23		Prime + Parallel Group 4-6	[==>]	[2]
	7		(7) NGC4921-PA266	ACS/WFC, ACCUM, WFC-FIX	F814W	CR-SPLIT=2; GAIN=2	POS TARG -0.18,-0.09	Prime + Parallel Group 7-9	2400.0 Secs [==>1251.0 Secs (Split 1)] [==>1251.0 Secs (Split 2)]	[3]
8		ANY	WFPC2, IMAGE, WFALL	F814W	CLOCKS=YES; CR-SPLIT=DEF		Prime + Parallel Group 7-9	2500.0 Secs [==>1300.0 Secs (Split 1)] [==>1200.0 Secs (Split 2)]	[3]	

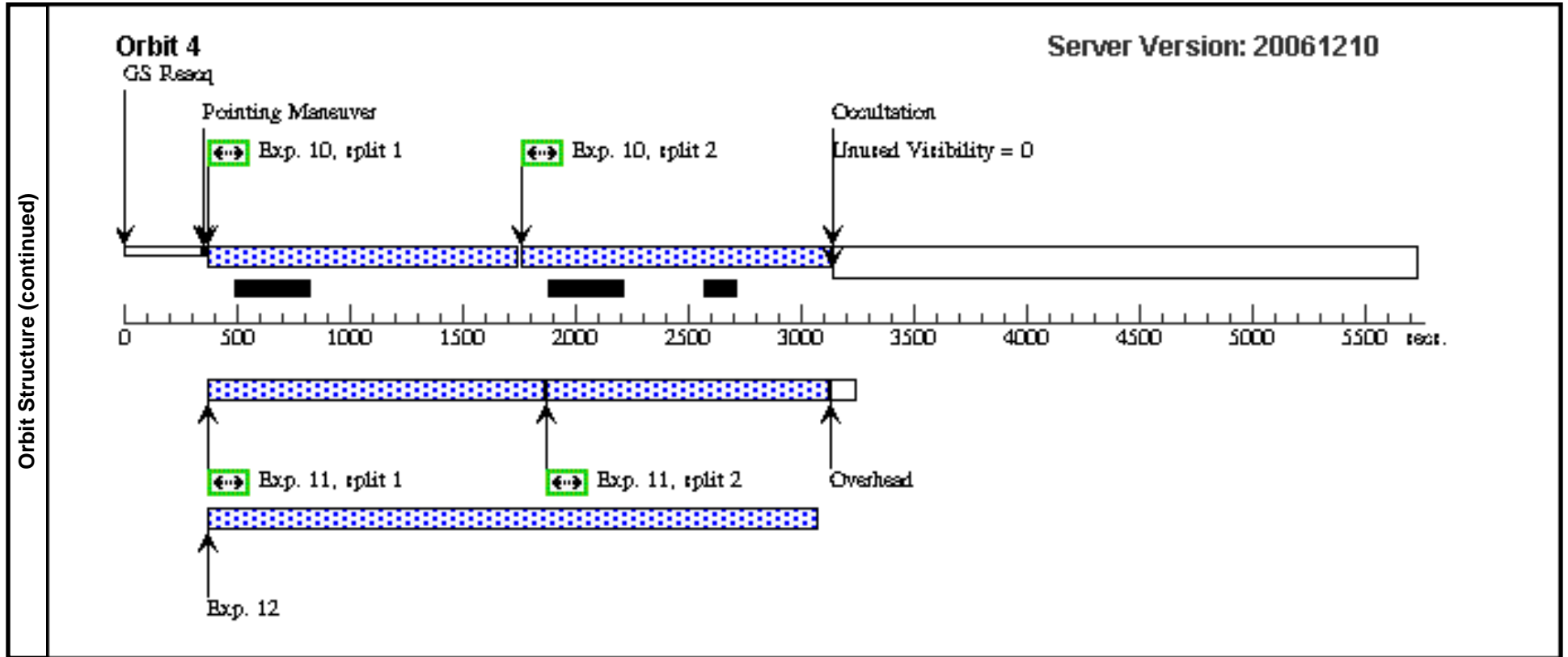
Proposal 10842 - Visit BX - A Cepheid Distance to the Coma Cluster

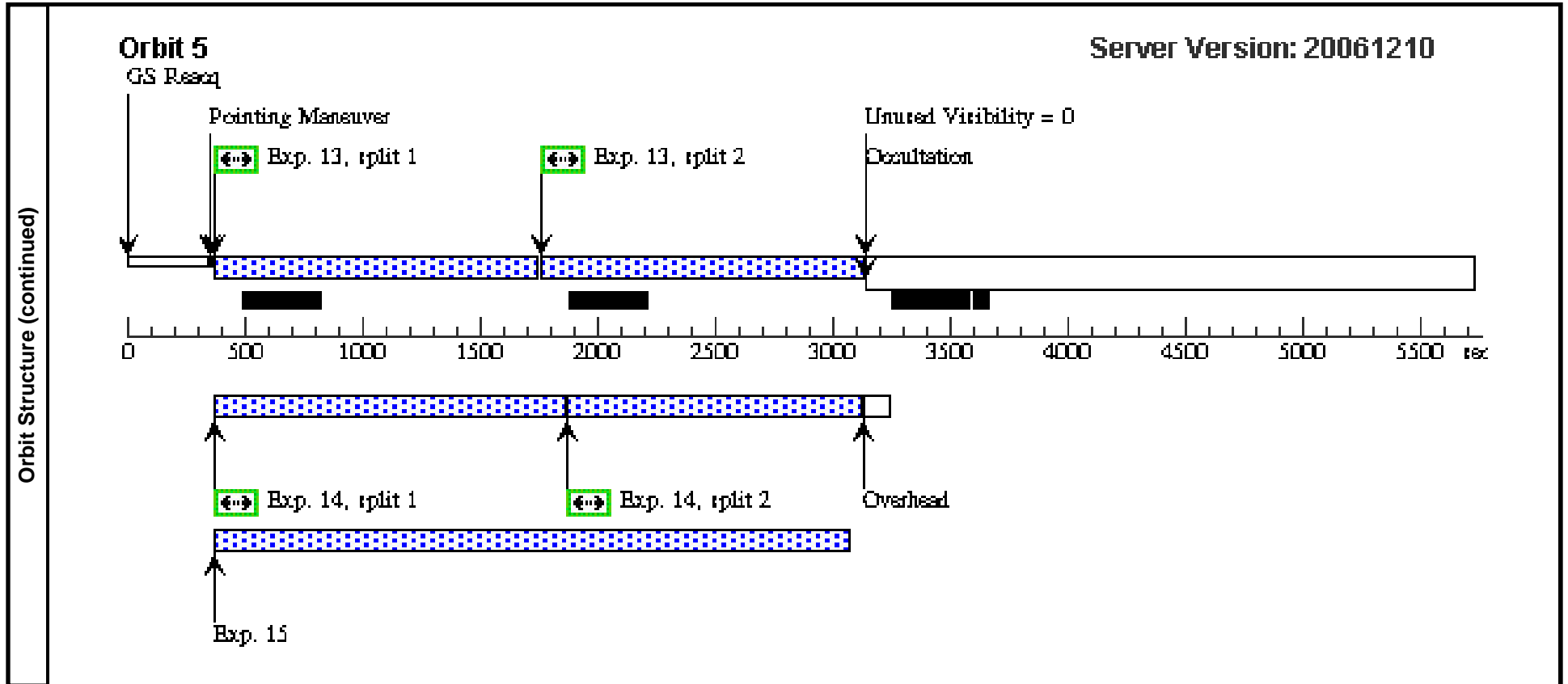
Exposures (continued)	#	Label	Target	Config,Mode,Aperture	Spectral Els.	Opt. Params.	Special Reqs.	Groups	Exp. Time/[Actual Dur.]	Orbit
	9		ANY	NIC3, MULTIACCUM, NIC3-FIX	F160W	SAMP-SEQ=SPARS 128; OFFSET=SAM; NSAMP=23		Prime + Parallel Group 7-9	[==>]	[3]
	10	(7) 6	NGC4921-PA26	ACS/WFC, ACCUM, WFC-FIX	F814W	CR-SPLIT=2; GAIN=2	POS TARG 0.015,-0 .155	Prime + Parallel Group 10-12	2400.0 Secs [==>1251.0 Secs (Split 1)] [==>1251.0 Secs (Split 2)]	[4]
	11		ANY	WFPC2, IMAGE, WFALL	F450W	CLOCKS=YES; CR-SPLIT=DEF		Prime + Parallel Group 10-12	2500.0 Secs [==>1300.0 Secs (Split 1)] [==>1200.0 Secs (Split 2)]	[4]
	12		ANY	NIC3, MULTIACCUM, NIC3-FIX	F110W	SAMP-SEQ=SPARS 128; OFFSET=SAM; NSAMP=23		Prime + Parallel Group 10-12	[==>]	[4]
	13	(7) 6	NGC4921-PA26	ACS/WFC, ACCUM, WFC-FIX	F814W	CR-SPLIT=2; GAIN=2	POS TARG 0.08,0.0 4	Prime + Parallel Group 13-15	2400.0 Secs [==>1251.0 Secs (Split 1)] [==>1251.0 Secs (Split 2)]	[5]
	14		ANY	WFPC2, IMAGE, WFALL	F450W	CLOCKS=YES; CR-SPLIT=DEF		Prime + Parallel Group 13-15	2500.0 Secs [==>1300.0 Secs (Split 1)] [==>1200.0 Secs (Split 2)]	[5]
	15		ANY	NIC3, MULTIACCUM, NIC3-FIX	F110W	SAMP-SEQ=SPARS 128; OFFSET=SAM; NSAMP=23		Prime + Parallel Group 13-15	[==>]	[5]











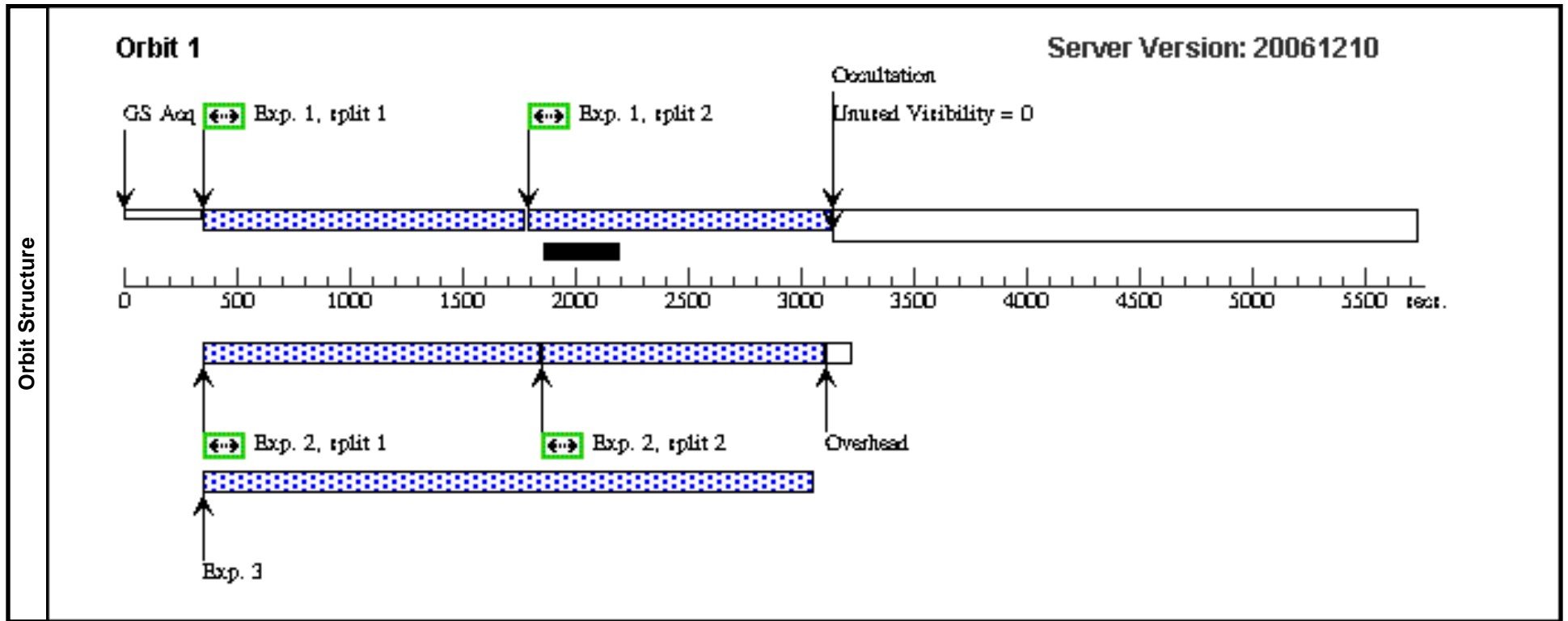
Proposal 10842 - Visit B7 - A Cepheid Distance to the Coma Cluster

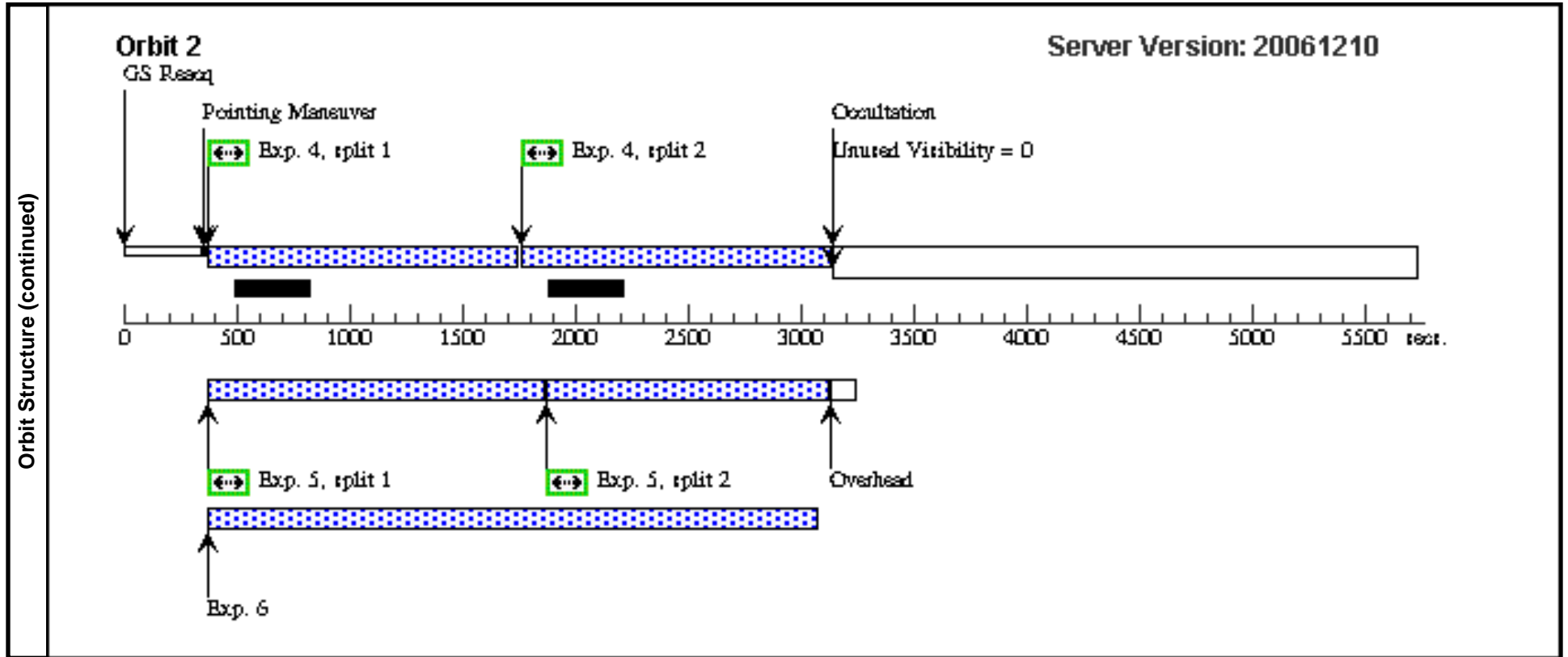
Fri Jan 19 02:15:32 GMT 2007

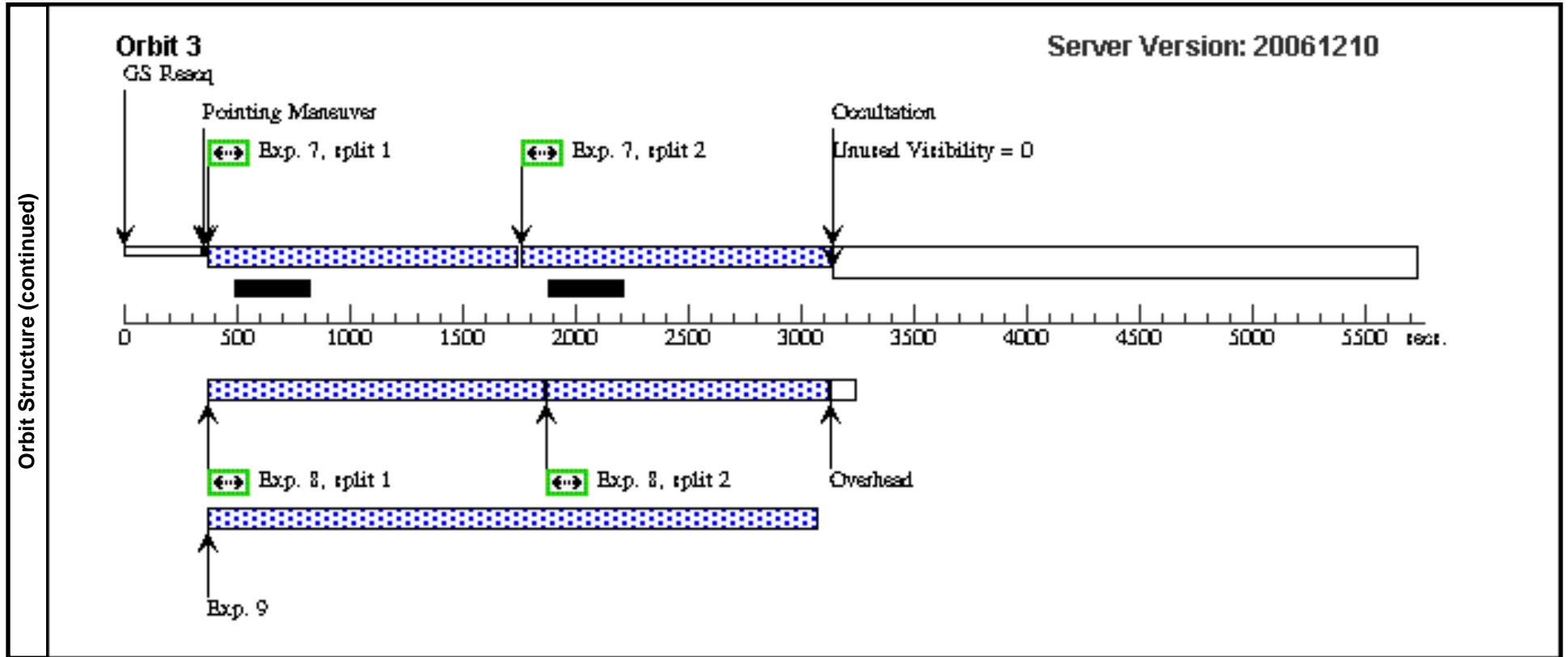
Visit	Proposal 10842, Visit B7, scheduling Diagnostic Status: No Diagnostics Scientific Instruments: ACS/WFC, WFPC2, NIC3 Special Requirements: PCS MODE FINE; SAME ORIENT AS B5; AFTER B1 BY 60 D TO 61.5 D									
	Fixed Targets	#	Name	Target Coordinates	Targ. Coord. Corrections	Fluxes	Miscellaneous			
	(7)	NGC4921-PA266	RA: 13 01 25.7500 (195.3572917d) Dec: +27 53 10.00 (27.88611d) Equinox: J2000			V=13.0	Reference Frame: ICRS			
Exposures	#	Label	Target	Config,Mode,Aperture	Spectral Els.	Opt. Params.	Special Reqs.	Groups	Exp. Time/[Actual Dur.]	Orbit
	1		(7) NGC4921-PA26 6	ACS/WFC, ACCUM, WFC-FIX	F606W	CR-SPLIT=2; GAIN=2	POS TARG 0.025,0.05	Prime + Parallel Group 1-3	2400.0 Secs [==>1220.0 Secs (Split 1)] [==>1220.0 Secs (Split 2)]	[1]
	2		ANY	WFPC2, IMAGE, WFALL	F606W	CLOCKS=YES; CR-SPLIT=DEF		Prime + Parallel Group 1-3	2400.0 Secs [==>1300.0 Secs (Split 1)] [==>1200.0 Secs (Split 2)]	[1]
	3		ANY	NIC3, MULTIACCUM, NIC3-FIX	F160W	SAMP-SEQ=SPARS 128; OFFSET=SAM; NSAMP=23		Prime + Parallel Group 1-3	[==>]	[1]
	4		(7) NGC4921-PA26 6	ACS/WFC, ACCUM, WFC-FIX	F606W	CR-SPLIT=2; GAIN=2	POS TARG -0.04,0.18	Prime + Parallel Group 4-6	2400.0 Secs [==>1251.0 Secs (Split 1)] [==>1251.0 Secs (Split 2)]	[2]
	5		ANY	WFPC2, IMAGE, WFALL	F814W	CLOCKS=YES; CR-SPLIT=DEF		Prime + Parallel Group 4-6	2400.0 Secs [==>1300.0 Secs (Split 1)] [==>1200.0 Secs (Split 2)]	[2]
	6		ANY	NIC3, MULTIACCUM, NIC3-FIX	F110W	SAMP-SEQ=SPARS 128; OFFSET=SAM; NSAMP=23		Prime + Parallel Group 4-6	[==>]	[2]
	7		(7) NGC4921-PA26 6	ACS/WFC, ACCUM, WFC-FIX	F606W	CR-SPLIT=2; GAIN=2	POS TARG -0.105,-0.015	Prime + Parallel Group 7-9	2400.0 Secs [==>1251.0 Secs (Split 1)] [==>1251.0 Secs (Split 2)]	[3]
8		ANY	WFPC2, IMAGE, WFALL	F814W	CLOCKS=YES; CR-SPLIT=DEF		Prime + Parallel Group 7-9	2400.0 Secs [==>1300.0 Secs (Split 1)] [==>1200.0 Secs (Split 2)]	[3]	

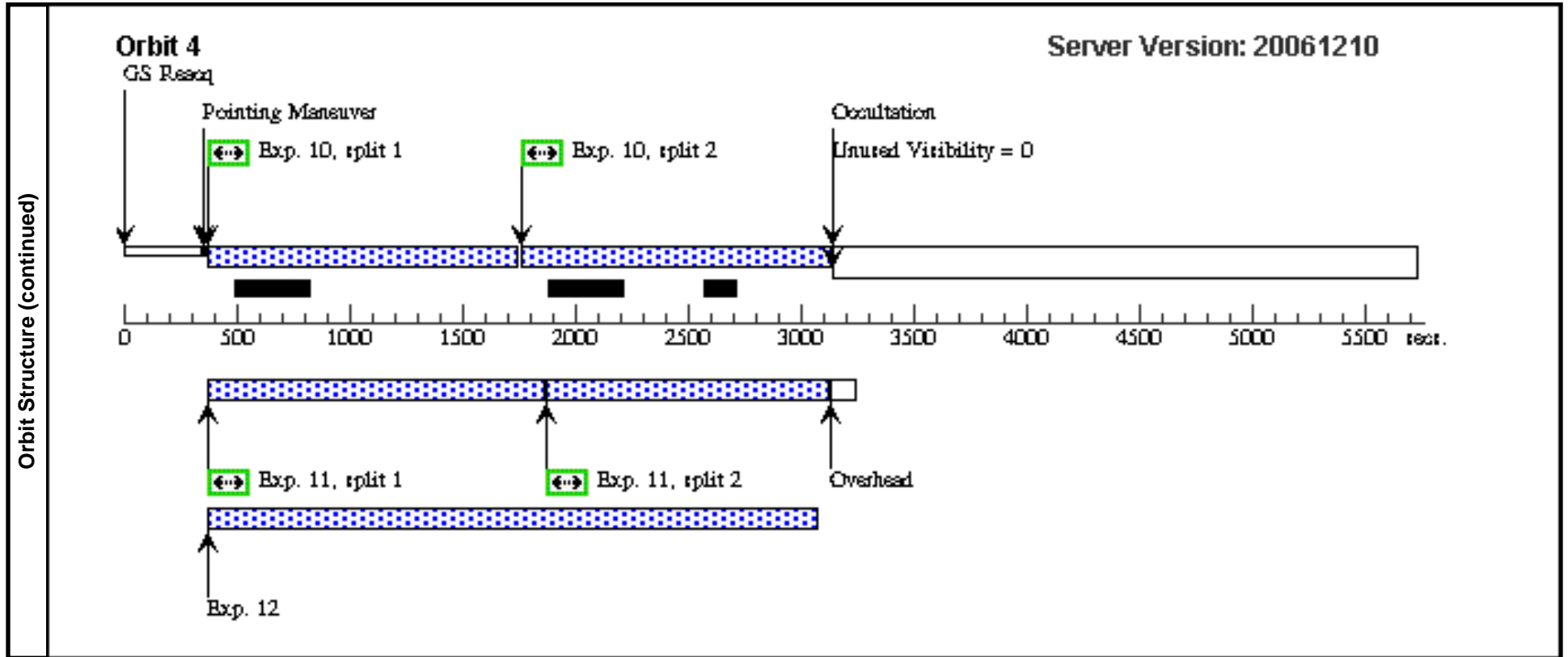
Proposal 10842 - Visit B7 - A Cepheid Distance to the Coma Cluster

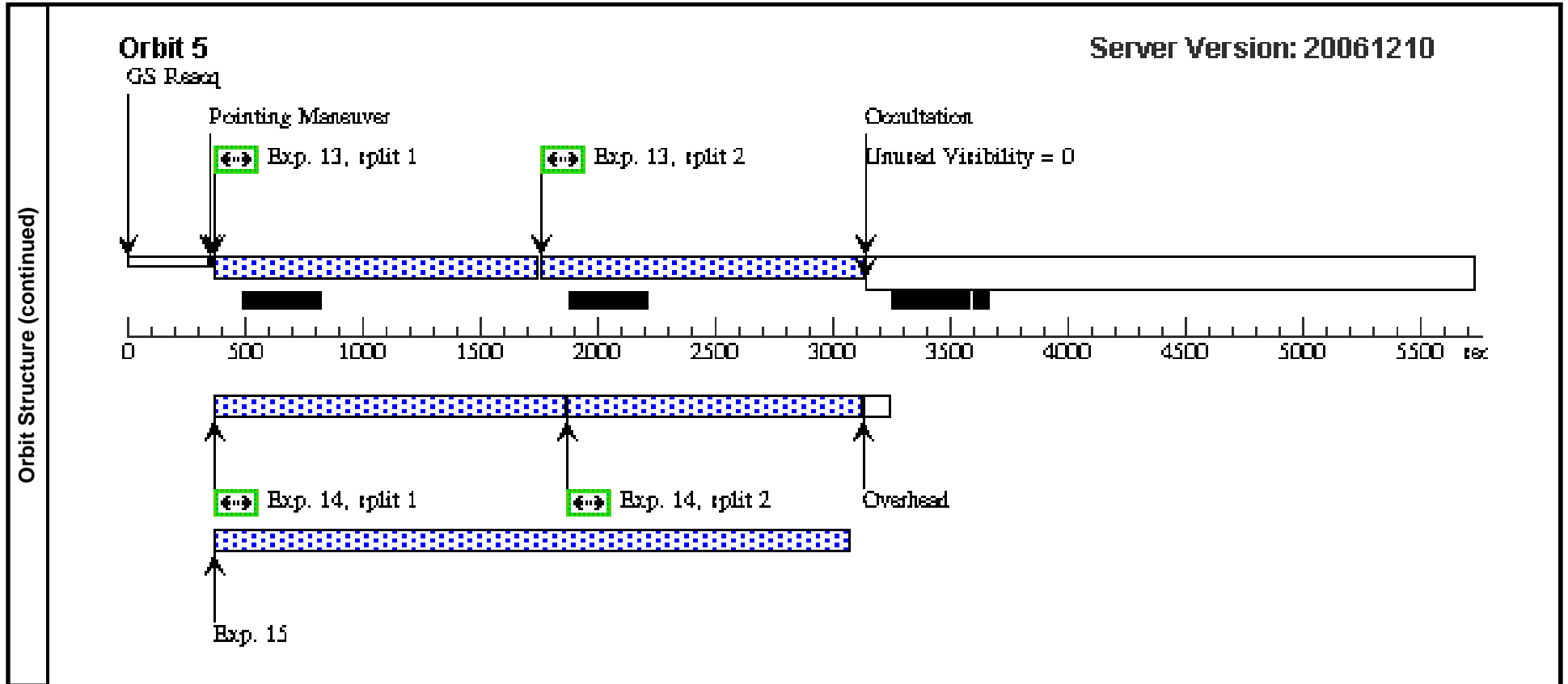
Exposures (continued)	#	Label	Target	Config,Mode,Aperture	Spectral Els.	Opt. Params.	Special Reqs.	Groups	Exp. Time/[Actual Dur.]	Orbit
	9		ANY	NIC3, MULTIACCUM, NIC3-FIX	F160W	SAMP-SEQ=SPARS 128; OFFSET=SAM; NSAMP=23		Prime + Parallel Group 7-9	[==>]	[3]
	10	(7) NGC4921-PA26 6		ACS/WFC, ACCUM, WFC-FIX	F606W	CR-SPLIT=2; GAIN=2	POS TARG 0.09,-0.08	Prime + Parallel Group 10-12	2400.0 Secs [==>1251.0 Secs (Split 1)] [==>1251.0 Secs (Split 2)]	[4]
	11		ANY	WFPC2, IMAGE, WFALL	F450W	CLOCKS=YES; CR-SPLIT=DEF		Prime + Parallel Group 10-12	2400.0 Secs [==>1300.0 Secs (Split 1)] [==>1200.0 Secs (Split 2)]	[4]
	12		ANY	NIC3, MULTIACCUM, NIC3-FIX	F110W	SAMP-SEQ=SPARS 128; OFFSET=SAM; NSAMP=23		Prime + Parallel Group 10-12	[==>]	[4]
	13	(7) NGC4921-PA26 6		ACS/WFC, ACCUM, WFC-FIX	F606W	CR-SPLIT=2; GAIN=2	POS TARG 0.155,0.115	Prime + Parallel Group 13-15	2400.0 Secs [==>1251.0 Secs (Split 1)] [==>1251.0 Secs (Split 2)]	[5]
	14		ANY	WFPC2, IMAGE, WFALL	F450W	CLOCKS=YES; CR-SPLIT=DEF		Prime + Parallel Group 13-15	2400.0 Secs [==>1300.0 Secs (Split 1)] [==>1200.0 Secs (Split 2)]	[5]
	15		ANY	NIC3, MULTIACCUM, NIC3-FIX	F110W	SAMP-SEQ=SPARS 128; OFFSET=SAM; NSAMP=23		Prime + Parallel Group 13-15	[==>]	[5]











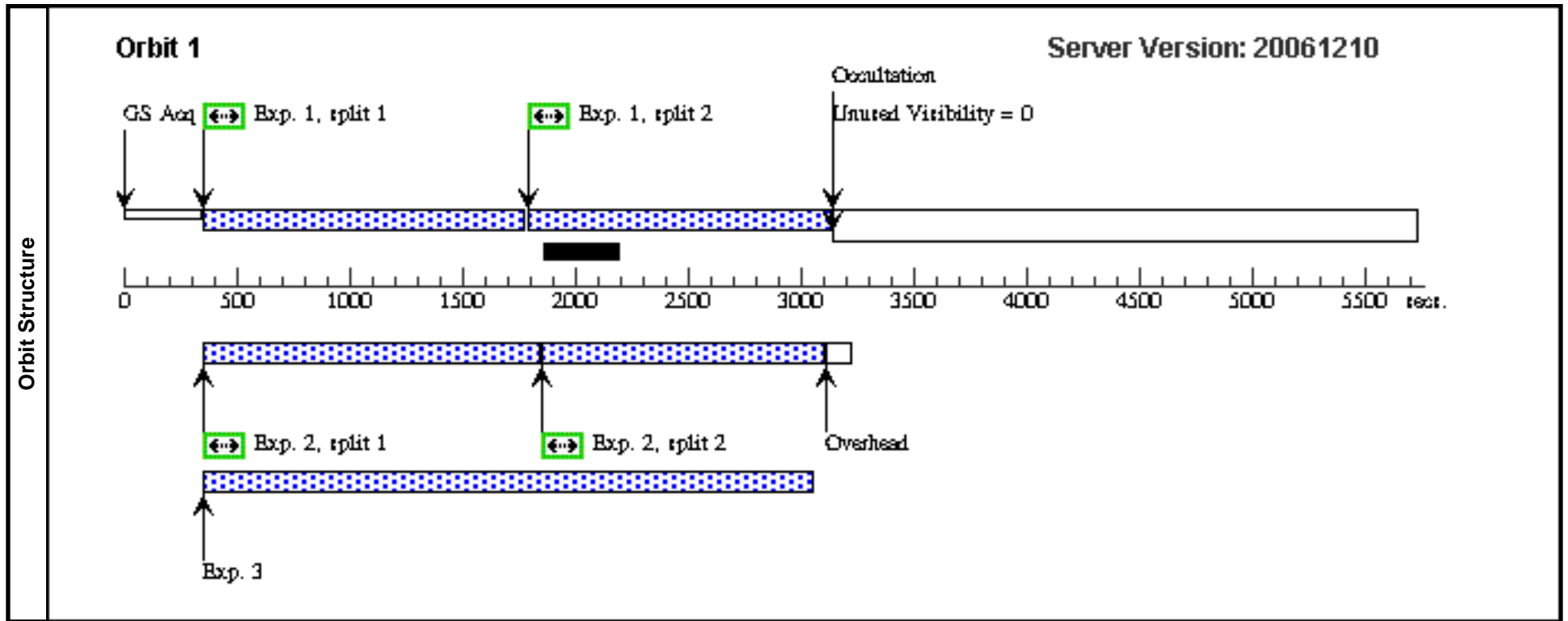
Proposal 10842 - Visit B8 - A Cepheid Distance to the Coma Cluster

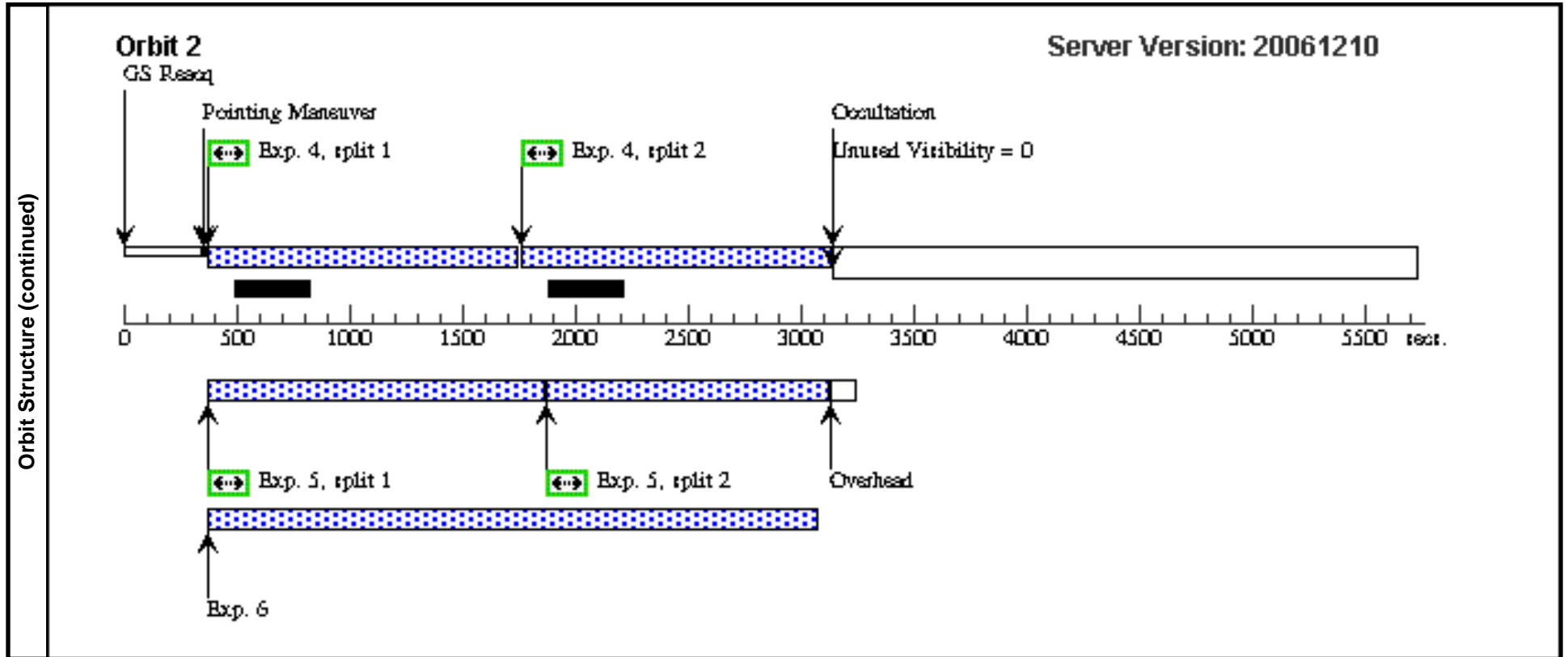
Fri Jan 19 02:15:33 GMT 2007

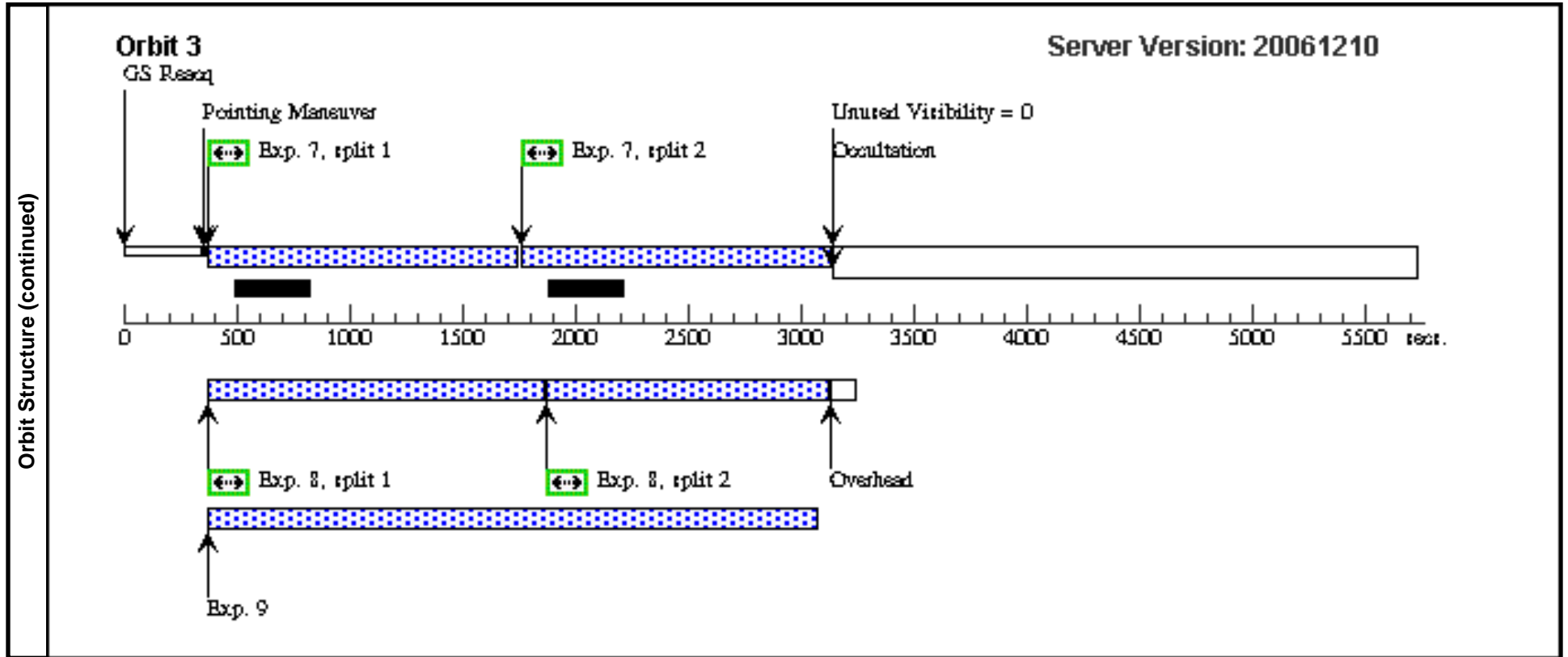
Visit	Proposal 10842, Visit B8, scheduling Diagnostic Status: No Diagnostics Scientific Instruments: ACS/WFC, WFPC2, NIC3 Special Requirements: PCS MODE FINE; SAME ORIENT AS B5; AFTER B1 BY 68.05 D TO 69.05 D									
	Fixed Targets	#	Name	Target Coordinates	Targ. Coord.	Corrections	Fluxes	Miscellaneous		
	(7)	NGC4921-PA266	RA: 13 01 25.7500 (195.3572917d) Dec: +27 53 10.00 (27.88611d) Equinox: J2000			V=13.0	Reference Frame: ICRS			
Exposures	#	Label	Target	Config,Mode,Aperture	Spectral Els.	Opt. Params.	Special Reqs.	Groups	Exp. Time/[Actual Dur.]	Orbit
	1		(7) NGC4921-PA26 6	ACS/WFC, ACCUM, WFC-FIX	F606W	CR-SPLIT=2; GAIN=2	POS TARG -0.05,-0.025	Prime + Parallel Group 1-3	2400.0 Secs [==>1220.0 Secs (Split 1)] [==>1220.0 Secs (Split 2)]	[1]
	2		ANY	WFPC2, IMAGE, WFALL	F606W	CLOCKS=YES; CR-SPLIT=DEF		Prime + Parallel Group 1-3	2400.0 Secs [==>1300.0 Secs (Split 1)] [==>1200.0 Secs (Split 2)]	[1]
	3		ANY	NIC3, MULTIACCUM, NIC3-FIX	F160W	SAMP-SEQ=SPARS 128; OFFSET=SAM; NSAMP=23		Prime + Parallel Group 1-3	[==>]	[1]
	4		(7) NGC4921-PA26 6	ACS/WFC, ACCUM, WFC-FIX	F606W	CR-SPLIT=2; GAIN=2	POS TARG -0.115,0.105	Prime + Parallel Group 4-6	2400.0 Secs [==>1251.0 Secs (Split 1)] [==>1251.0 Secs (Split 2)]	[2]
	5		ANY	WFPC2, IMAGE, WFALL	F814W	CLOCKS=YES; CR-SPLIT=DEF		Prime + Parallel Group 4-6	2400.0 Secs [==>1300.0 Secs (Split 1)] [==>1200.0 Secs (Split 2)]	[2]
	6		ANY	NIC3, MULTIACCUM, NIC3-FIX	F110W	SAMP-SEQ=SPARS 128; OFFSET=SAM; NSAMP=23		Prime + Parallel Group 4-6	[==>]	[2]
	7		(7) NGC4921-PA26 6	ACS/WFC, ACCUM, WFC-FIX	F606W	CR-SPLIT=2; GAIN=2	POS TARG -0.18,-0.09	Prime + Parallel Group 7-9	2400.0 Secs [==>1251.0 Secs (Split 1)] [==>1251.0 Secs (Split 2)]	[3]
8		ANY	WFPC2, IMAGE, WFALL	F814W	CLOCKS=YES; CR-SPLIT=DEF		Prime + Parallel Group 7-9	2400.0 Secs [==>1300.0 Secs (Split 1)] [==>1200.0 Secs (Split 2)]	[3]	

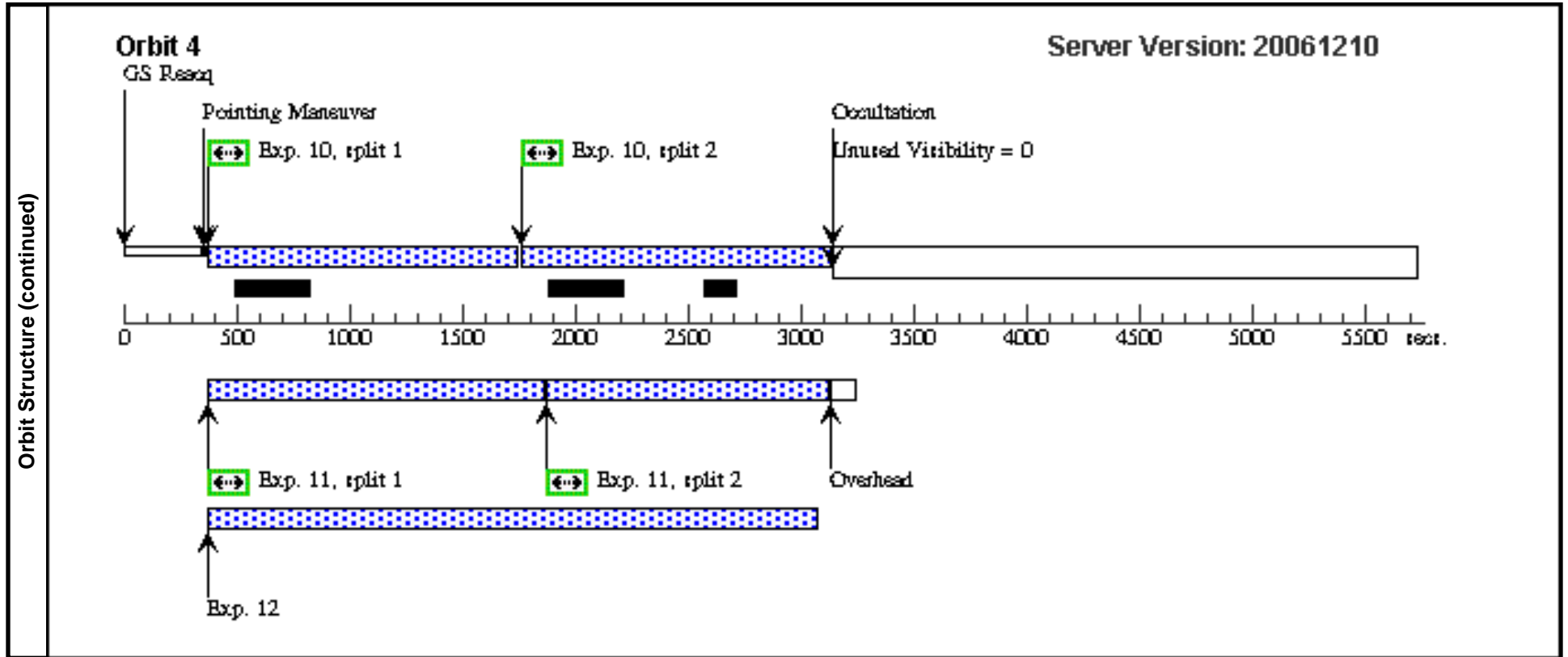
Proposal 10842 - Visit B8 - A Cepheid Distance to the Coma Cluster

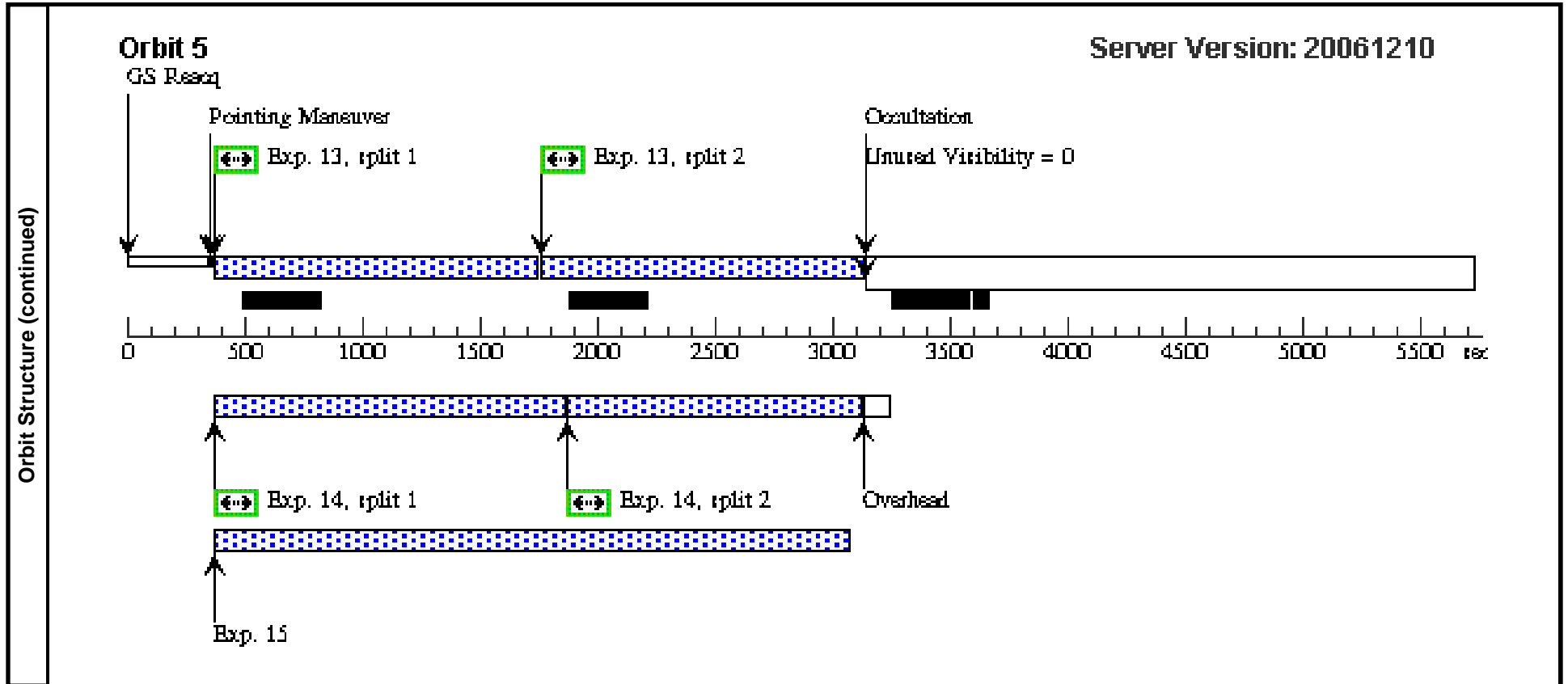
Exposures (continued)	#	Label	Target	Config,Mode,Aperture	Spectral Els.	Opt. Params.	Special Reqs.	Groups	Exp. Time/[Actual Dur.]	Orbit
	9		ANY	NIC3, MULTIACCUM, NIC3-FIX	F160W	SAMP-SEQ=SPARS 128; OFFSET=SAM; NSAMP=23		Prime + Parallel Group 7-9	[==>]	[3]
	10		(7) NGC4921-PA26 6	ACS/WFC, ACCUM, WFC-FIX	F606W	CR-SPLIT=2; GAIN=2	POS TARG 0.015,-0 .155	Prime + Parallel Group 10-12	2400.0 Secs [==>1251.0 Secs (Split 1)] [==>1251.0 Secs (Split 2)]	[4]
	11		ANY	WFPC2, IMAGE, WFALL	F450W	CLOCKS=YES; CR-SPLIT=DEF		Prime + Parallel Group 10-12	2400.0 Secs [==>1300.0 Secs (Split 1)] [==>1200.0 Secs (Split 2)]	[4]
	12		ANY	NIC3, MULTIACCUM, NIC3-FIX	F110W	SAMP-SEQ=SPARS 128; OFFSET=SAM; NSAMP=23		Prime + Parallel Group 10-12	[==>]	[4]
	13		(7) NGC4921-PA26 6	ACS/WFC, ACCUM, WFC-FIX	F606W	CR-SPLIT=2; GAIN=2	POS TARG 0.08,0.0 4	Prime + Parallel Group 13-15	2400.0 Secs [==>1251.0 Secs (Split 1)] [==>1251.0 Secs (Split 2)]	[5]
	14		ANY	WFPC2, IMAGE, WFALL	F450W	CLOCKS=YES; CR-SPLIT=DEF		Prime + Parallel Group 13-15	2400.0 Secs [==>1300.0 Secs (Split 1)] [==>1200.0 Secs (Split 2)]	[5]
	15		ANY	NIC3, MULTIACCUM, NIC3-FIX	F110W	SAMP-SEQ=SPARS 128; OFFSET=SAM; NSAMP=23		Prime + Parallel Group 13-15	[==>]	[5]











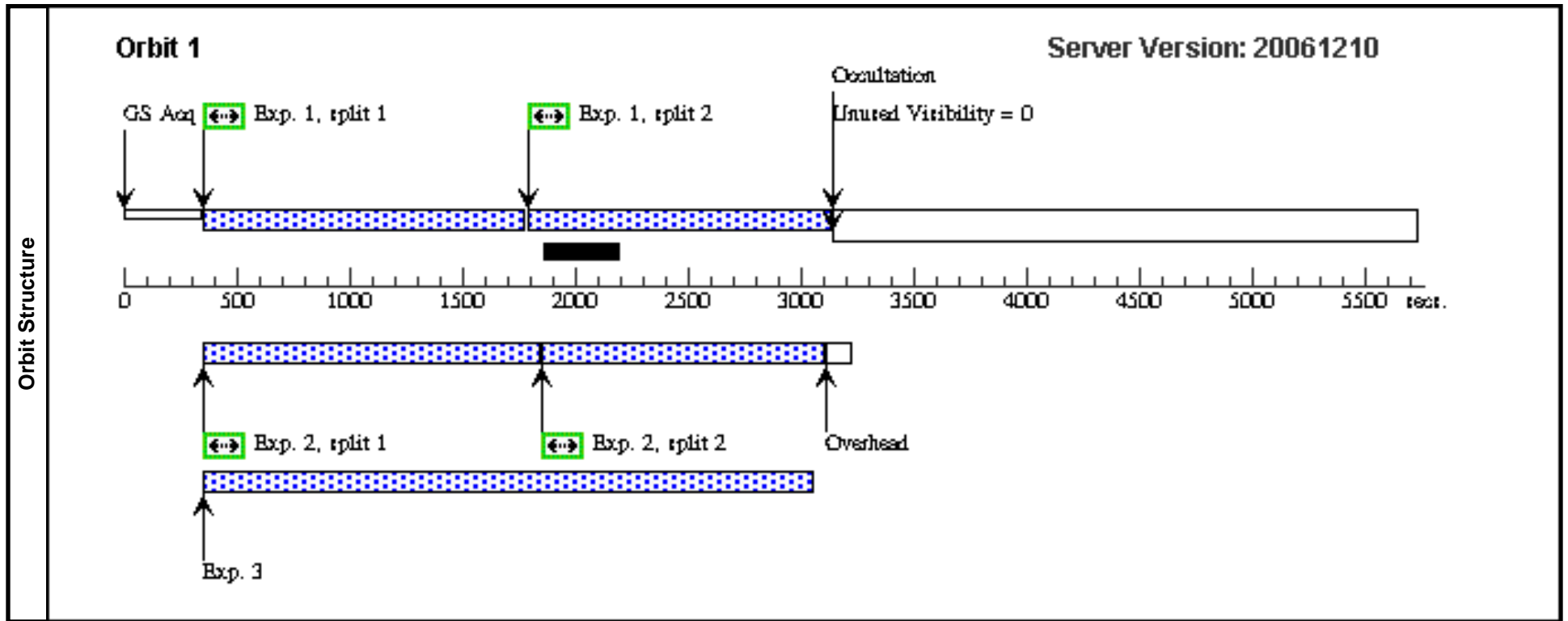
Proposal 10842 - Visit B9 - A Cepheid Distance to the Coma Cluster

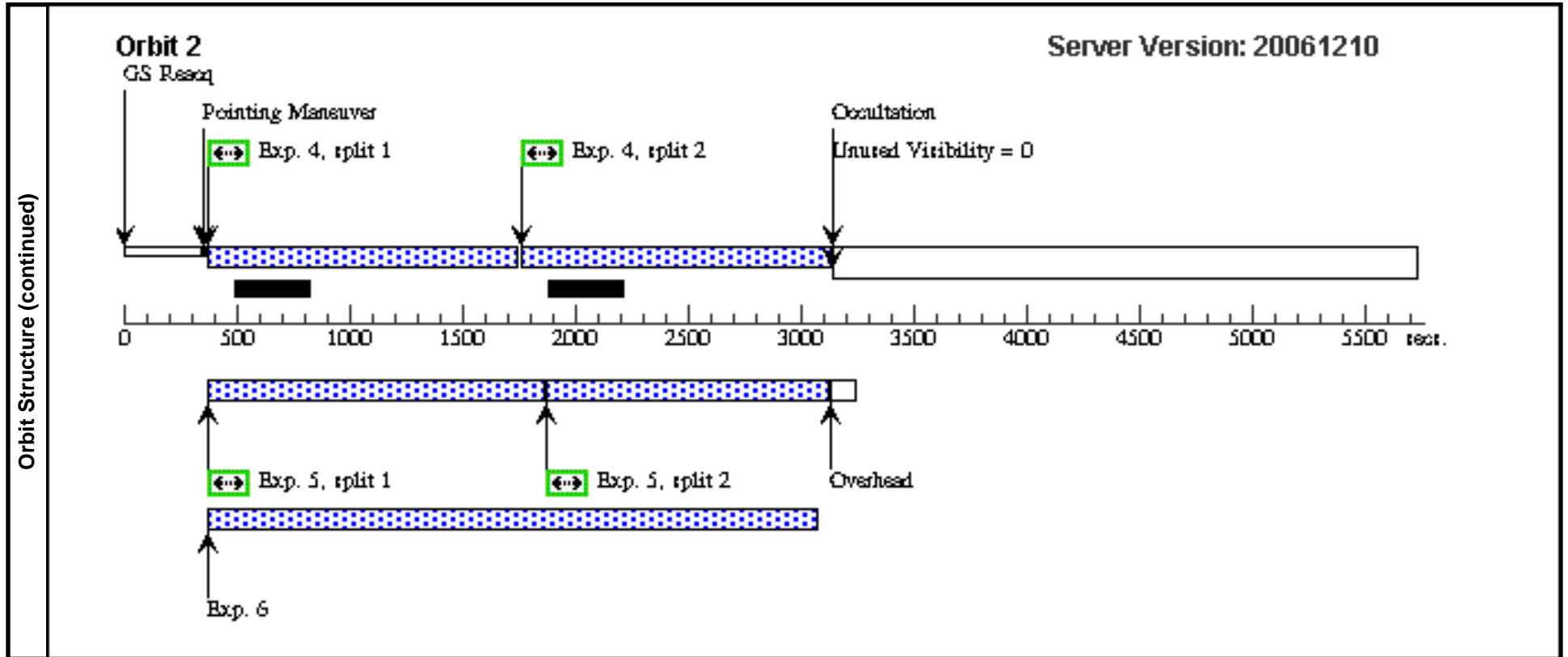
Fri Jan 19 02:15:34 GMT 2007

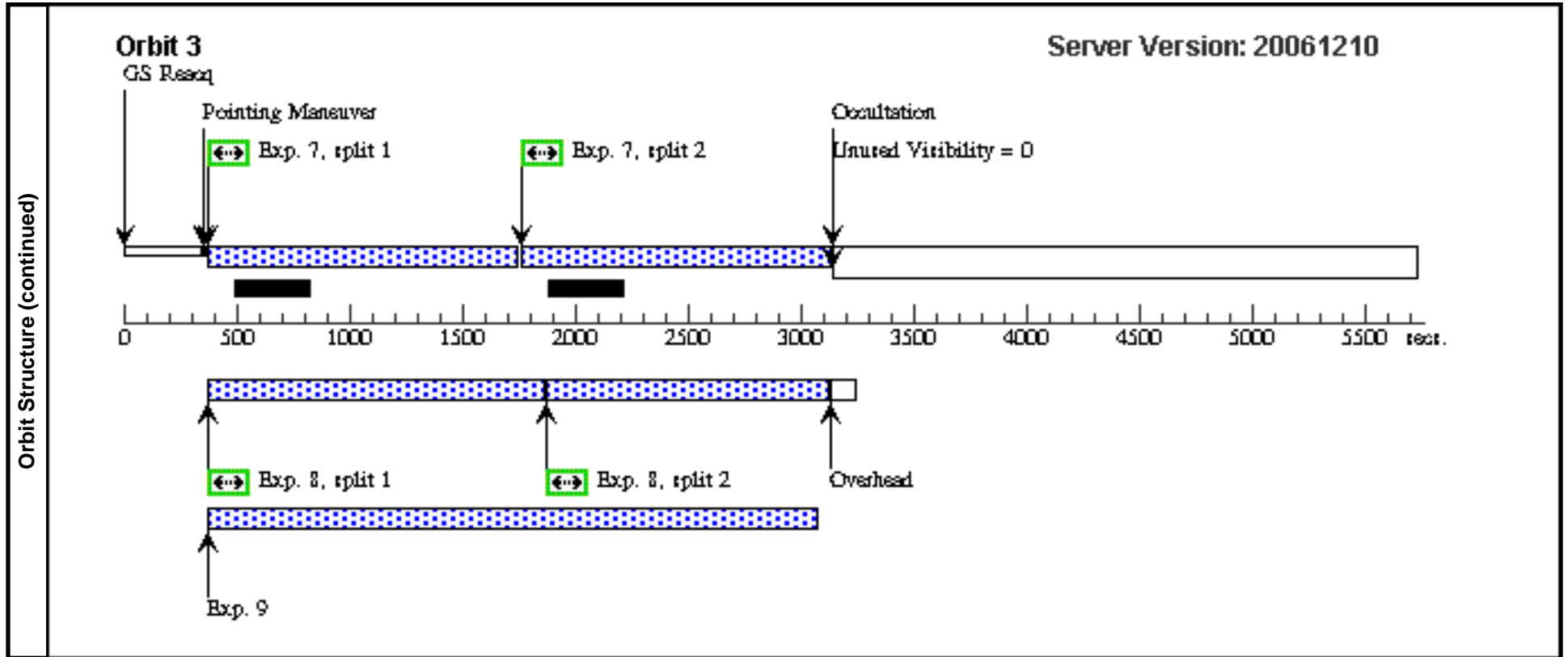
Visit	Proposal 10842, Visit B9, scheduling Diagnostic Status: No Diagnostics Scientific Instruments: ACS/WFC, WFPC2, NIC3 Special Requirements: PCS MODE FINE; ORIENT 246.0D TO 246.0 D; AFTER B1 BY 73.35 D TO 73.75 D									
	Fixed Targets	#	Name	Target Coordinates	Targ. Coord. Corrections	Fluxes	Miscellaneous			
	(8)	NGC4921-PA233	RA: 13 01 26.0000 (195.3583333d) Dec: +27 53 10.00 (27.88611d) Equinox: J2000			V=13.0	Reference Frame: ICRS			
Exposures	#	Label	Target	Config,Mode,Aperture	Spectral Els.	Opt. Params.	Special Reqs.	Groups	Exp. Time/[Actual Dur.]	Orbit
	1		(8) NGC4921-PA23 3	ACS/WFC, ACCUM, WFC-FIX	F606W	CR-SPLIT=2; GAIN=2		Prime + Parallel Group 1-3	2400.0 Secs [==>1220.0 Secs (Split 1)] [==>1220.0 Secs (Split 2)]	[1]
	2		ANY	WFPC2, IMAGE, WFALL	F606W	CLOCKS=YES; CR-SPLIT=DEF		Prime + Parallel Group 1-3	2400.0 Secs [==>1300.0 Secs (Split 1)] [==>1200.0 Secs (Split 2)]	[1]
	3		ANY	NIC3, MULTIACCUM, NIC3-FIX	F160W	SAMP-SEQ=SPARS 128; OFFSET=SAM; NSAMP=23		Prime + Parallel Group 1-3	[==>]	[1]
	4		(8) NGC4921-PA23 3	ACS/WFC, ACCUM, WFC-FIX	F606W	CR-SPLIT=2; GAIN=2	POS TARG 0.13,-0.065	Prime + Parallel Group 4-6	2400.0 Secs [==>1251.0 Secs (Split 1)] [==>1251.0 Secs (Split 2)]	[2]
	5		ANY	WFPC2, IMAGE, WFALL	F606W	CLOCKS=YES; CR-SPLIT=DEF		Prime + Parallel Group 4-6	2400.0 Secs [==>1300.0 Secs (Split 1)] [==>1200.0 Secs (Split 2)]	[2]
	6		ANY	NIC3, MULTIACCUM, NIC3-FIX	F110W	SAMP-SEQ=SPARS 128; OFFSET=SAM; NSAMP=23		Prime + Parallel Group 4-6	[==>]	[2]
	7		(8) NGC4921-PA23 3	ACS/WFC, ACCUM, WFC-FIX	F606W	CR-SPLIT=2; GAIN=2	POS TARG -0.065,-0.13	Prime + Parallel Group 7-9	2400.0 Secs [==>1251.0 Secs (Split 1)] [==>1251.0 Secs (Split 2)]	[3]
8		ANY	WFPC2, IMAGE, WFALL	F814W	CLOCKS=YES; CR-SPLIT=DEF		Prime + Parallel Group 7-9	2400.0 Secs [==>1300.0 Secs (Split 1)] [==>1200.0 Secs (Split 2)]	[3]	

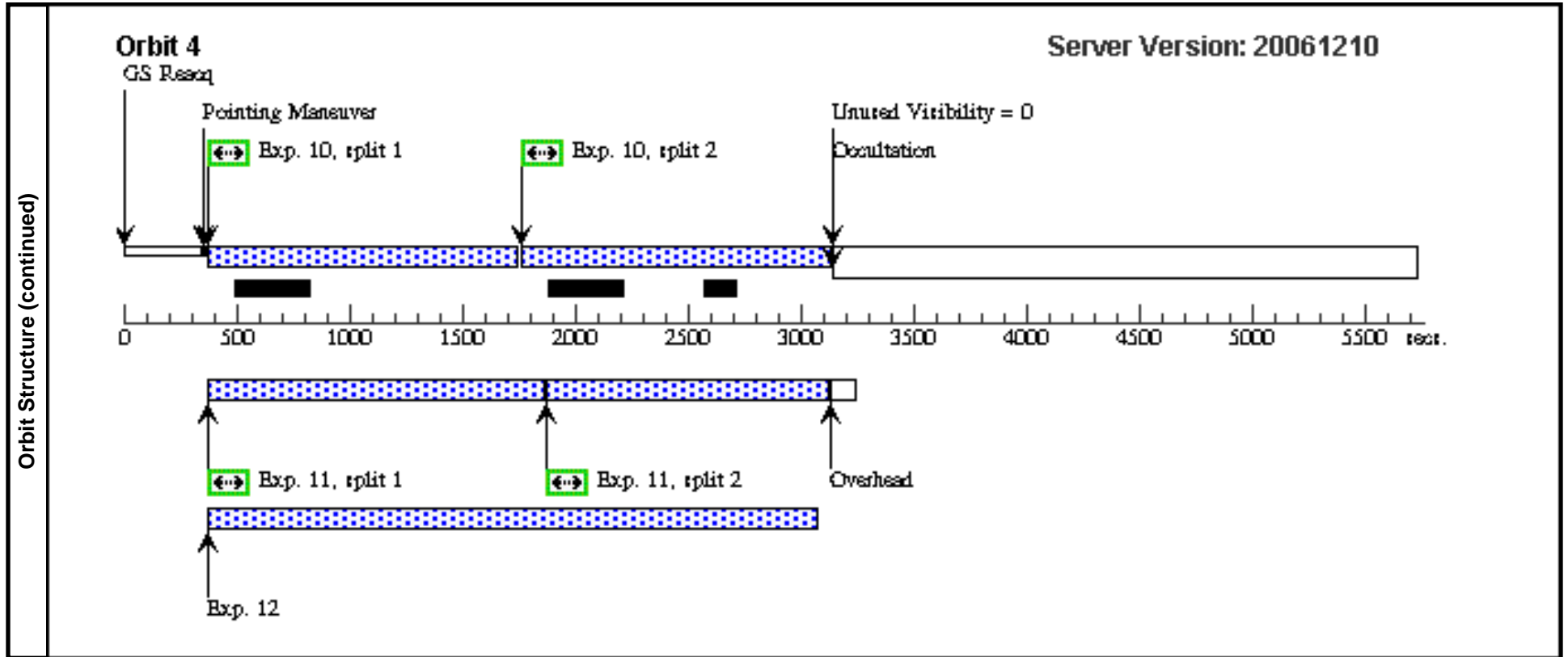
Proposal 10842 - Visit B9 - A Cepheid Distance to the Coma Cluster

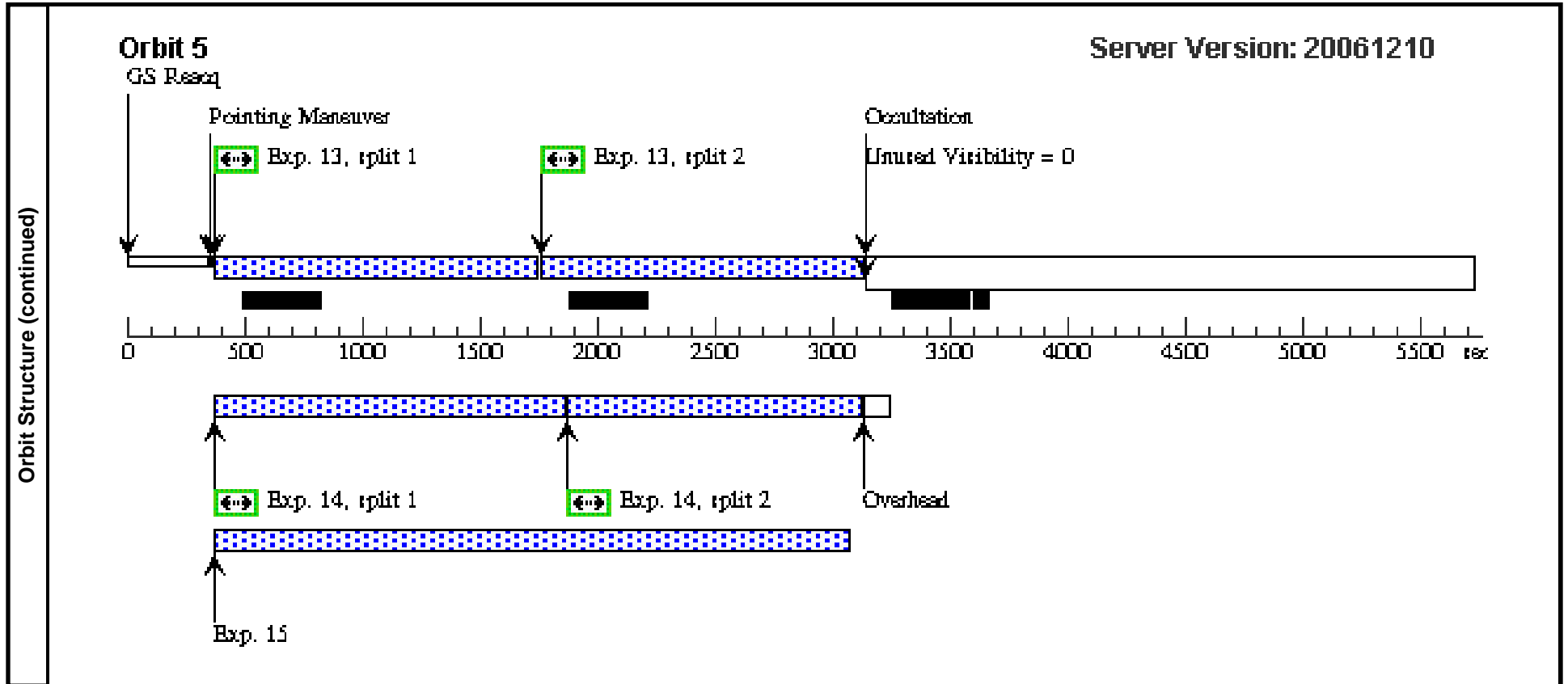
Exposures (continued)	#	Label	Target	Config,Mode,Aperture	Spectral Els.	Opt. Params.	Special Reqs.	Groups	Exp. Time/[Actual Dur.]	Orbit
	9		ANY	NIC3, MULTIACCUM, NIC3-FIX	F160W	SAMP-SEQ=SPARS 128; OFFSET=SAM; NSAMP=23		Prime + Parallel Group 7-9	[==>]	[3]
	10	(8) NGC4921-PA23 3		ACS/WFC, ACCUM, WFC-FIX	F606W	CR-SPLIT=2; GAIN=2	POS TARG -0.13,0. 065	Prime + Parallel Group 10-12	2400.0 Secs [==>1251.0 Secs (Split 1)] [==>1251.0 Secs (Split 2)]	[4]
	11		ANY	WFPC2, IMAGE, WFALL	F450W	CLOCKS=YES; CR-SPLIT=DEF		Prime + Parallel Group 10-12	2400.0 Secs [==>1300.0 Secs (Split 1)] [==>1200.0 Secs (Split 2)]	[4]
	12		ANY	NIC3, MULTIACCUM, NIC3-FIX	F110W	SAMP-SEQ=SPARS 128; OFFSET=SAM; NSAMP=23		Prime + Parallel Group 10-12	[==>]	[4]
	13	(8) NGC4921-PA23 3		ACS/WFC, ACCUM, WFC-FIX	F606W	CR-SPLIT=2; GAIN=2	POS TARG 0.065,0. 13	Prime + Parallel Group 13-15	2400.0 Secs [==>1251.0 Secs (Split 1)] [==>1251.0 Secs (Split 2)]	[5]
	14		ANY	WFPC2, IMAGE, WFALL	F450W	CLOCKS=YES; CR-SPLIT=DEF		Prime + Parallel Group 13-15	2400.0 Secs [==>1300.0 Secs (Split 1)] [==>1200.0 Secs (Split 2)]	[5]
	15		ANY	NIC3, MULTIACCUM, NIC3-FIX	F160W	SAMP-SEQ=SPARS 128; OFFSET=SAM; NSAMP=23		Prime + Parallel Group 13-15	[==>]	[5]











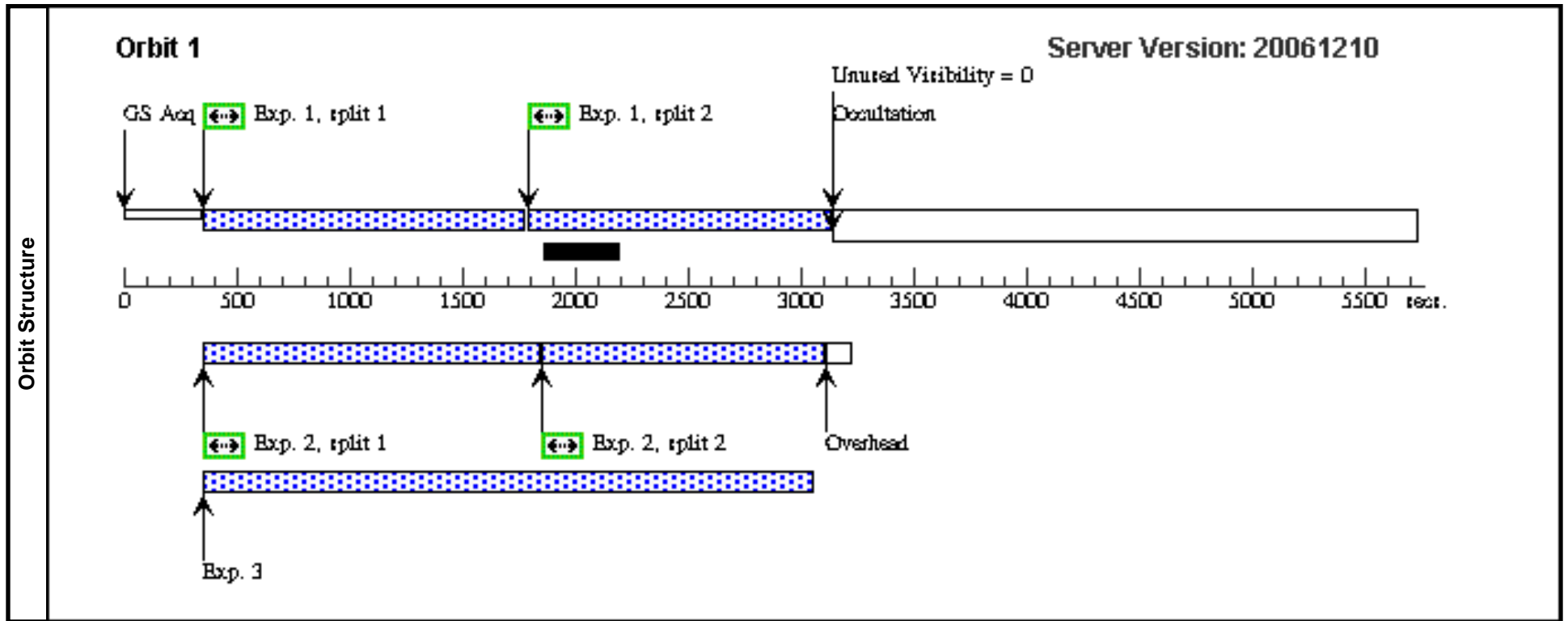
Proposal 10842 - Visit BA - A Cepheid Distance to the Coma Cluster

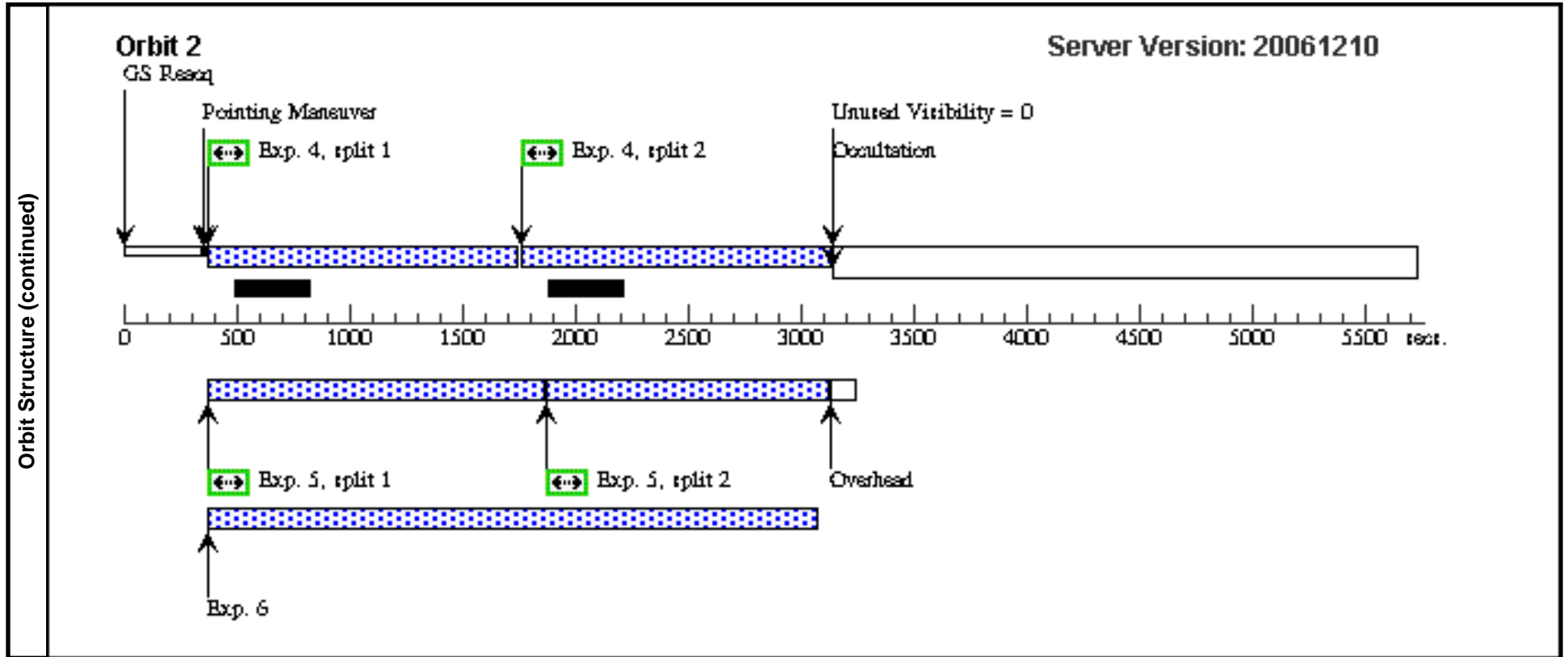
Fri Jan 19 02:15:35 GMT 2007

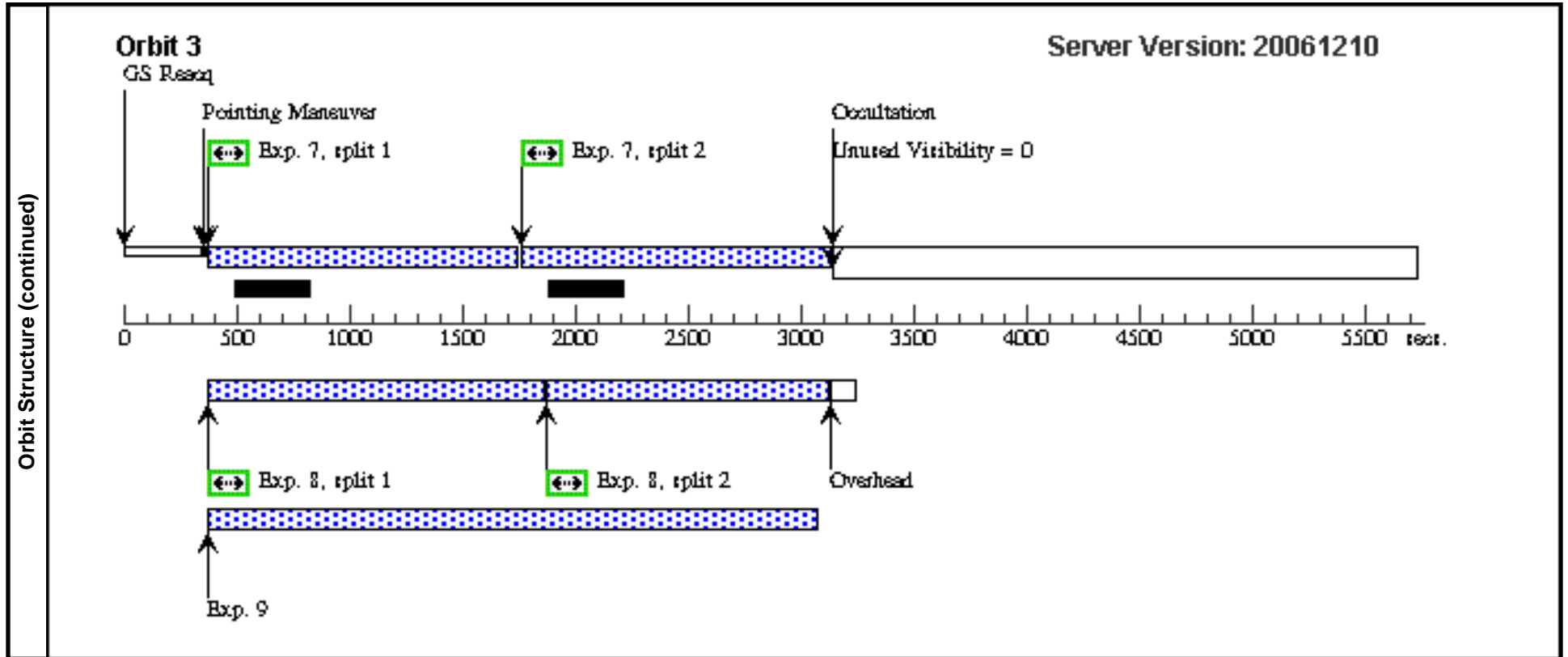
Visit	Proposal 10842, Visit BA, scheduling Diagnostic Status: No Diagnostics Scientific Instruments: ACS/WFC, WFPC2, NIC3 Special Requirements: PCS MODE FINE; SAME ORIENT AS B9; AFTER B1 BY 80.75 D TO 82.35 D									
	Fixed Targets	#	Name	Target Coordinates	Targ. Coord. Corrections	Fluxes	Miscellaneous			
	(8)	NGC4921-PA233	RA: 13 01 26.0000 (195.3583333d) Dec: +27 53 10.00 (27.88611d) Equinox: J2000			V=13.0	Reference Frame: ICRS			
Exposures	#	Label	Target	Config,Mode,Aperture	Spectral Els.	Opt. Params.	Special Reqs.	Groups	Exp. Time/[Actual Dur.]	Orbit
	1		(8) NGC4921-PA23 3	ACS/WFC, ACCUM, WFC-FIX	F606W	CR-SPLIT=2; GAIN=2	POS TARG -0.025,0 .05	Prime + Parallel Group 1-3	2400.0 Secs [==>1220.0 Secs (Split 1)] [==>1220.0 Secs (Split 2)]	[1]
	2		ANY	WFPC2, IMAGE, WFALL	F606W	CLOCKS=YES; CR-SPLIT=DEF		Prime + Parallel Group 1-3	2400.0 Secs [==>1300.0 Secs (Split 1)] [==>1200.0 Secs (Split 2)]	[1]
	3		ANY	NIC3, MULTIACCUM, NIC3-FIX	F160W	SAMP-SEQ=SPARS 128; OFFSET=SAM; NSAMP=23		Prime + Parallel Group 1-3	[==>]	[1]
	4		(8) NGC4921-PA23 3	ACS/WFC, ACCUM, WFC-FIX	F606W	CR-SPLIT=2; GAIN=2	POS TARG 0.105,-0 .04	Prime + Parallel Group 4-6	2400.0 Secs [==>1251.0 Secs (Split 1)] [==>1251.0 Secs (Split 2)]	[2]
	5		ANY	WFPC2, IMAGE, WFALL	F606W	CLOCKS=YES; CR-SPLIT=DEF		Prime + Parallel Group 4-6	2400.0 Secs [==>1300.0 Secs (Split 1)] [==>1200.0 Secs (Split 2)]	[2]
	6		ANY	NIC3, MULTIACCUM, NIC3-FIX	F110W	SAMP-SEQ=SPARS 128; OFFSET=SAM; NSAMP=23		Prime + Parallel Group 4-6	[==>]	[2]
	7		(8) NGC4921-PA23 3	ACS/WFC, ACCUM, WFC-FIX	F606W	CR-SPLIT=2; GAIN=2	POS TARG -0.09,-0 105	Prime + Parallel Group 7-9	2400.0 Secs [==>1251.0 Secs (Split 1)] [==>1251.0 Secs (Split 2)]	[3]
8		ANY	WFPC2, IMAGE, WFALL	F814W	CLOCKS=YES; CR-SPLIT=DEF		Prime + Parallel Group 7-9	2400.0 Secs [==>1300.0 Secs (Split 1)] [==>1200.0 Secs (Split 2)]	[3]	

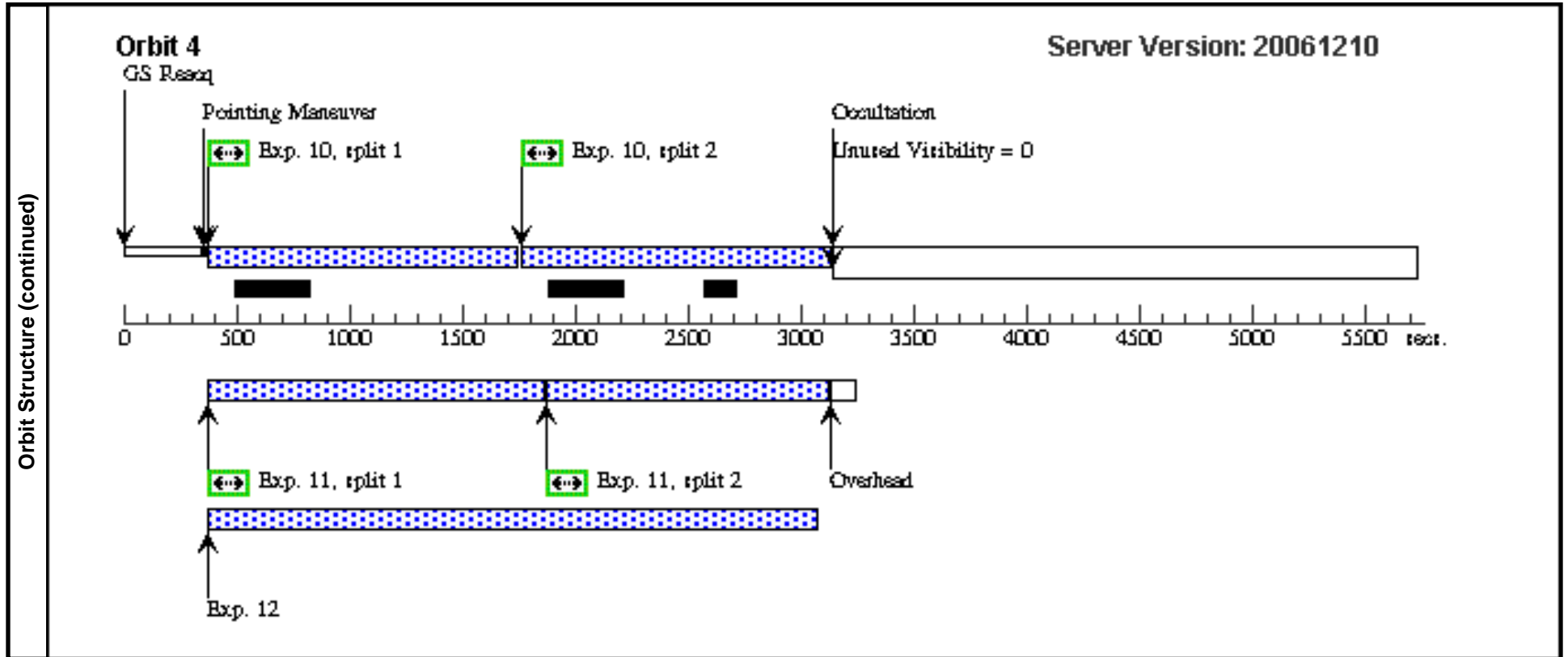
Proposal 10842 - Visit BA - A Cepheid Distance to the Coma Cluster

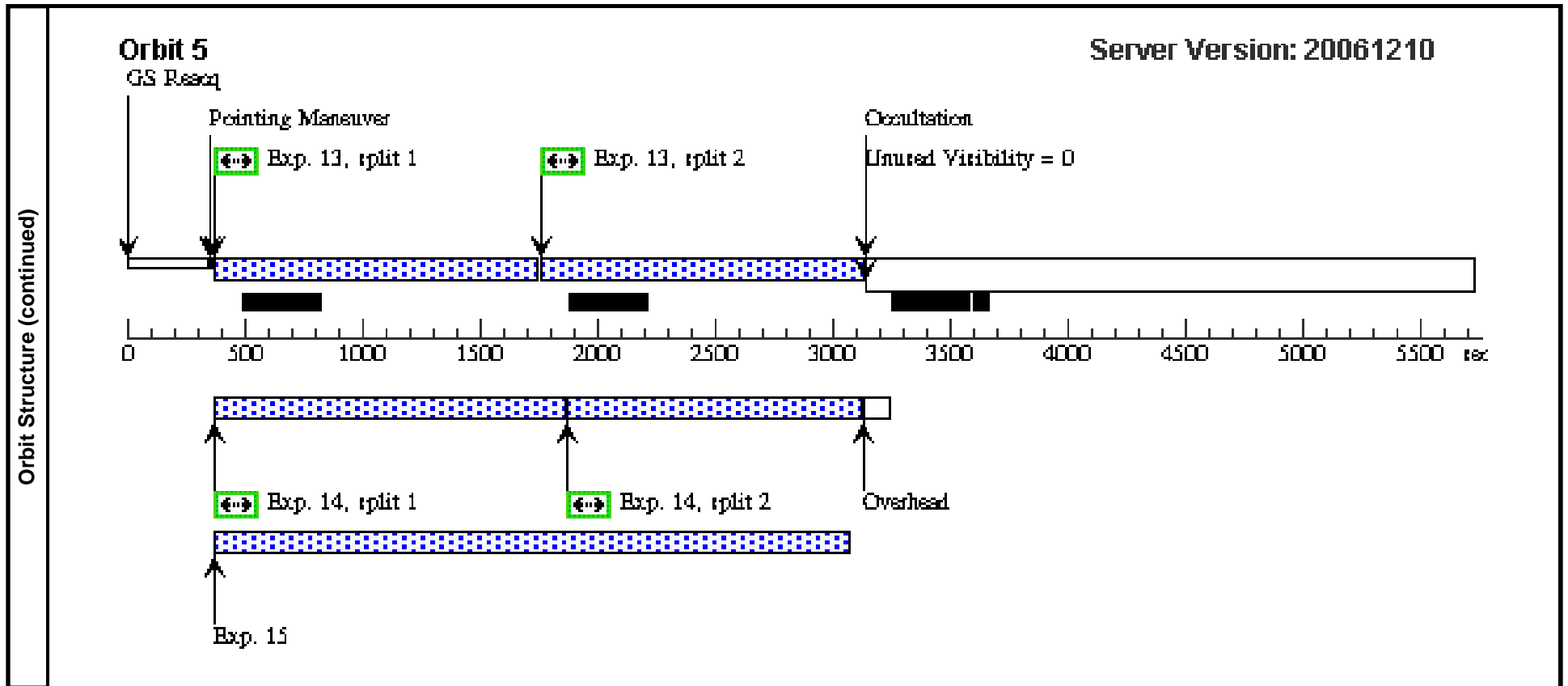
Exposures (continued)	#	Label	Target	Config,Mode,Aperture	Spectral Els.	Opt. Params.	Special Reqs.	Groups	Exp. Time/[Actual Dur.]	Orbit
	9		ANY	NIC3, MULTIACCUM, NIC3-FIX	F160W	SAMP-SEQ=SPARS 128; OFFSET=SAM; NSAMP=23		Prime + Parallel Group 7-9	[==>]	[3]
	10	(8) NGC4921-PA23 3		ACS/WFC, ACCUM, WFC-FIX	F606W	CR-SPLIT=2; GAIN=2	POS TARG -0.155,0 .09	Prime + Parallel Group 10-12	2400.0 Secs [==>1251.0 Secs (Split 1)] [==>1251.0 Secs (Split 2)]	[4]
	11		ANY	WFPC2, IMAGE, WFALL	F450W	CLOCKS=YES; CR-SPLIT=DEF		Prime + Parallel Group 10-12	2400.0 Secs [==>1300.0 Secs (Split 1)] [==>1200.0 Secs (Split 2)]	[4]
	12		ANY	NIC3, MULTIACCUM, NIC3-FIX	F110W	SAMP-SEQ=SPARS 128; OFFSET=SAM; NSAMP=23		Prime + Parallel Group 10-12	[==>]	[4]
	13	(8) NGC4921-PA23 3		ACS/WFC, ACCUM, WFC-FIX	F606W	CR-SPLIT=2; GAIN=2	POS TARG 0.04,0.1 55	Prime + Parallel Group 13-15	2400.0 Secs [==>1251.0 Secs (Split 1)] [==>1251.0 Secs (Split 2)]	[5]
	14		ANY	WFPC2, IMAGE, WFALL	F450W	CLOCKS=YES; CR-SPLIT=DEF		Prime + Parallel Group 13-15	2400.0 Secs [==>1300.0 Secs (Split 1)] [==>1200.0 Secs (Split 2)]	[5]
	15		ANY	NIC3, MULTIACCUM, NIC3-FIX	F160W	SAMP-SEQ=SPARS 128; OFFSET=SAM; NSAMP=23		Prime + Parallel Group 13-15	[==>]	[5]











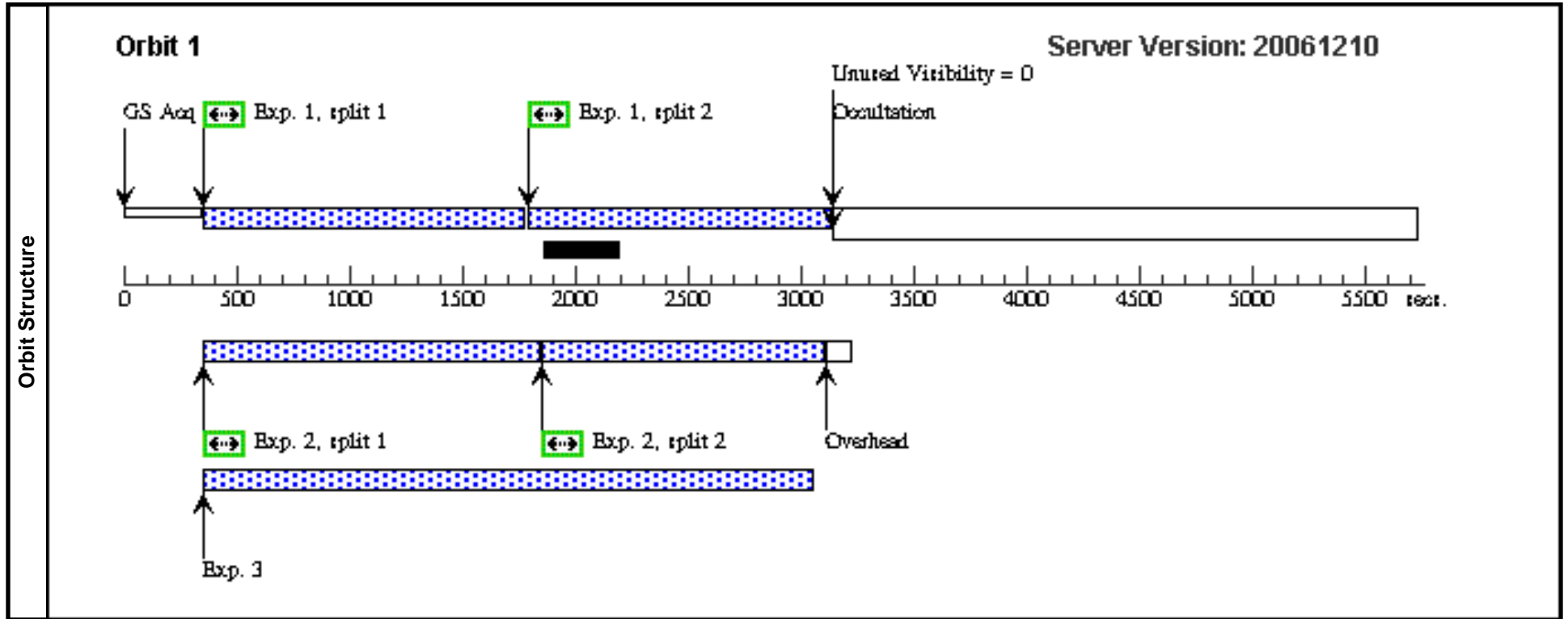
Proposal 10842 - Visit BT - A Cepheid Distance to the Coma Cluster

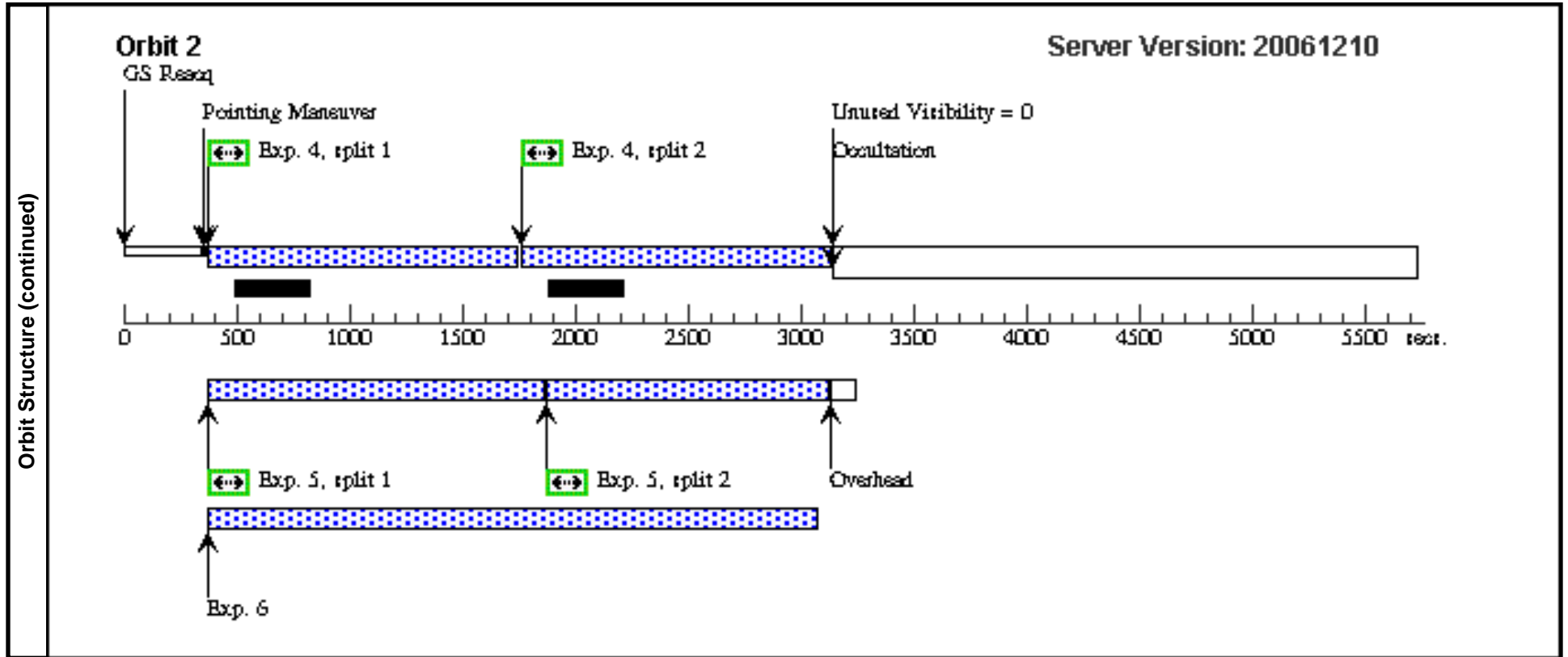
Fri Jan 19 02:15:36 GMT 2007

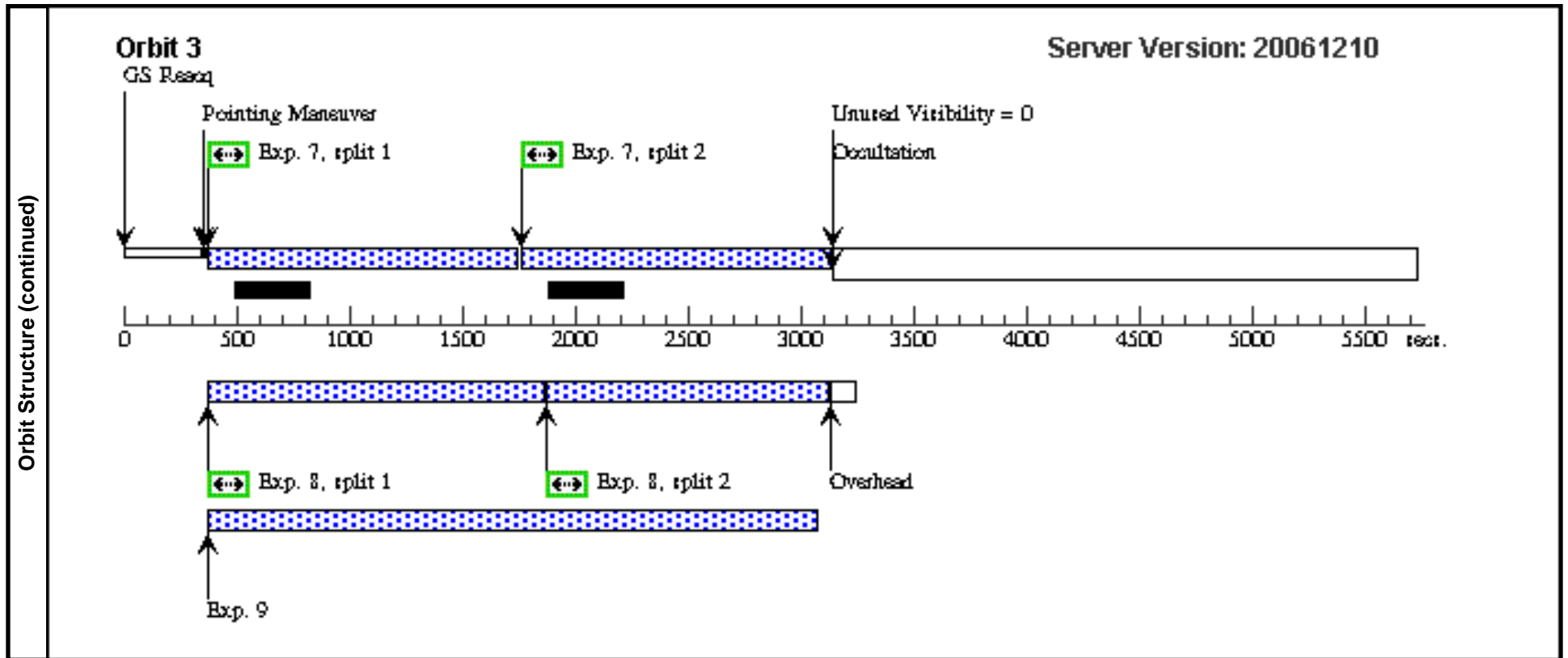
Visit		Proposal 10842, Visit BT, scheduling Diagnostic Status: No Diagnostics Scientific Instruments: ACS/WFC, WFPC2, NIC3 Special Requirements: PCS MODE FINE; SAME ORIENT AS B9; AFTER B9 BY 6 D TO 10 D									
Fixed Targets	#	Name	Target Coordinates	Targ. Coord. Corrections	Fluxes	Miscellaneous					
		(8)	NGC4921-PA233	RA: 13 01 26.0000 (195.3583333d) Dec: +27 53 10.00 (27.88611d) Equinox: J2000		V=13.0	Reference Frame: ICRS				
Exposures	#	Label	Target	Config,Mode,Aperture	Spectral Els.	Opt. Params.	Special Reqs.	Groups	Exp. Time/[Actual Dur.]	Orbit	
	1		(8) NGC4921-PA23 3	ACS/WFC, ACCUM, WFC-FIX	F814W	CR-SPLIT=2; GAIN=2	POS TARG 0.025,0. 05	Prime + Parallel Group up 1-3	2400.0 Secs [==>1220.0 Secs (Split 1)] [==>1220.0 Secs (Split 2)]	[1]	
	2		ANY	WFPC2, IMAGE, WFALL	F606W	CLOCKS=YES; CR-SPLIT=DEF		Prime + Parallel Group up 1-3	2500.0 Secs [==>1300.0 Secs (Split 1)] [==>1200.0 Secs (Split 2)]	[1]	
	3		ANY	NIC3, MULTIACCUM, NIC3-FIX	F160W	SAMP-SEQ=SPARS 128; OFFSET=SAM; NSAMP=23		Prime + Parallel Group up 1-3	[==>]	[1]	
	4		(8) NGC4921-PA23 3	ACS/WFC, ACCUM, WFC-FIX	F814W	CR-SPLIT=2; GAIN=2	POS TARG -0.04,0. 18	Prime + Parallel Group up 4-6	2400.0 Secs [==>1251.0 Secs (Split 1)] [==>1251.0 Secs (Split 2)]	[2]	
	5		ANY	WFPC2, IMAGE, WFALL	F606W	CLOCKS=YES; CR-SPLIT=DEF		Prime + Parallel Group up 4-6	2500.0 Secs [==>1300.0 Secs (Split 1)] [==>1200.0 Secs (Split 2)]	[2]	
	6		ANY	NIC3, MULTIACCUM, NIC3-FIX	F110W	SAMP-SEQ=SPARS 128; OFFSET=SAM; NSAMP=23		Prime + Parallel Group up 4-6	[==>]	[2]	
	7		(8) NGC4921-PA23 3	ACS/WFC, ACCUM, WFC-FIX	F814W	CR-SPLIT=2; GAIN=2	POS TARG -0.105,- 0.015	Prime + Parallel Group up 7-9	2400.0 Secs [==>1251.0 Secs (Split 1)] [==>1251.0 Secs (Split 2)]	[3]	
8		ANY	WFPC2, IMAGE, WFALL	F814W	CLOCKS=YES; CR-SPLIT=DEF		Prime + Parallel Group up 7-9	2500.0 Secs [==>1300.0 Secs (Split 1)] [==>1200.0 Secs (Split 2)]	[3]		

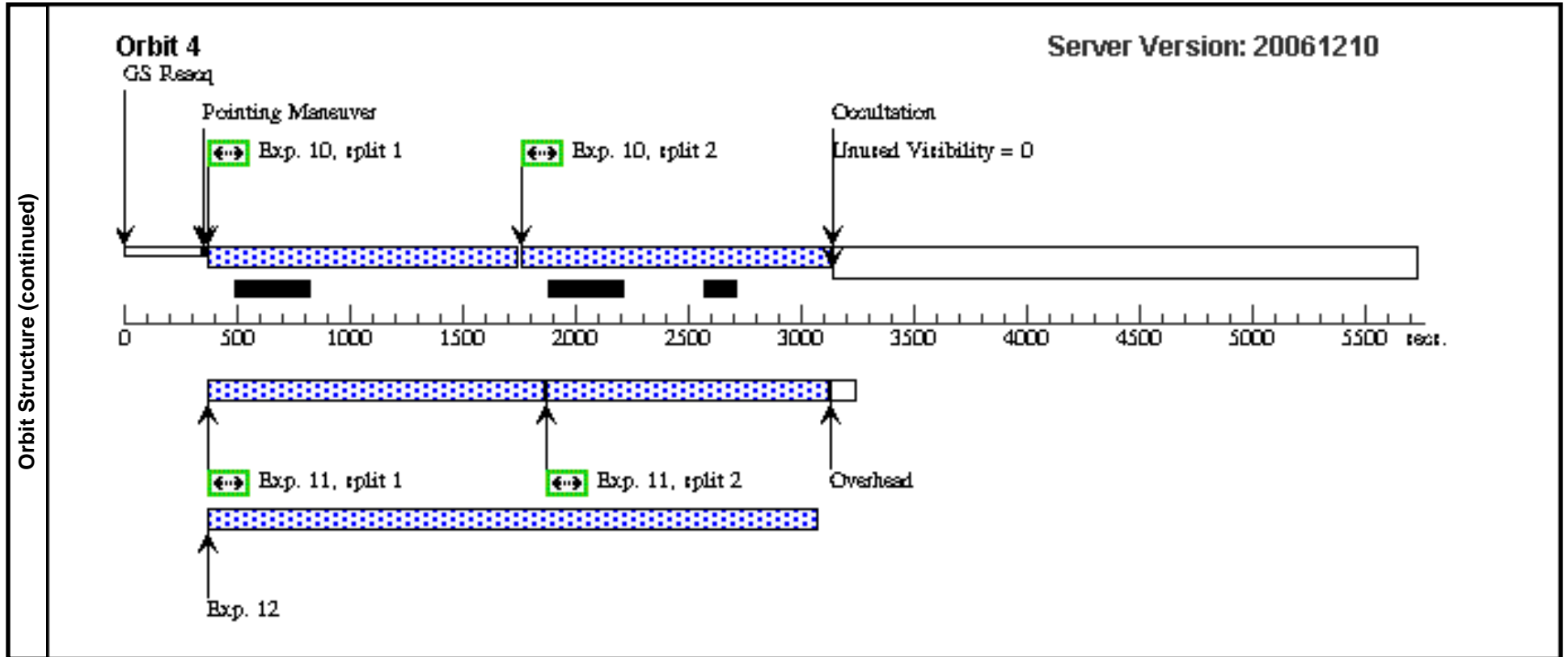
Proposal 10842 - Visit BT - A Cepheid Distance to the Coma Cluster

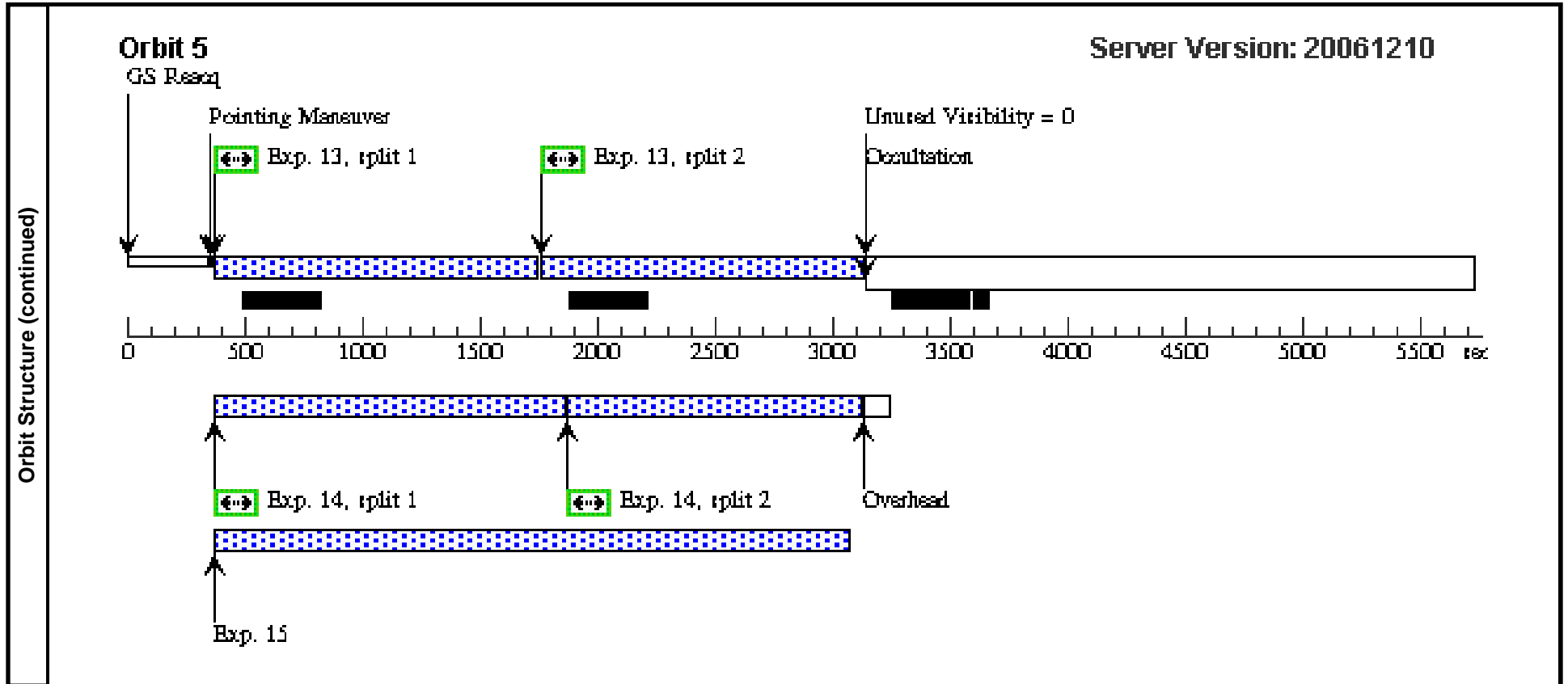
Exposures (continued)	#	Label	Target	Config,Mode,Aperture	Spectral Els.	Opt. Params.	Special Reqs.	Groups	Exp. Time/[Actual Dur.]	Orbit
	9		ANY	NIC3, MULTIACCUM, NIC3-FIX	F160W	SAMP-SEQ=SPARS 128; OFFSET=SAM; NSAMP=23		Prime + Parallel Group 7-9	[==>]	[3]
	10		(8) NGC4921-PA23 3	ACS/WFC, ACCUM, WFC-FIX	F814W	CR-SPLIT=2; GAIN=2	POS TARG 0.09,-0.08	Prime + Parallel Group 10-12	2400.0 Secs [==>1251.0 Secs (Split 1)] [==>1251.0 Secs (Split 2)]	[4]
	11		ANY	WFPC2, IMAGE, WFALL	F450W	CLOCKS=YES; CR-SPLIT=DEF		Prime + Parallel Group 10-12	2500.0 Secs [==>1300.0 Secs (Split 1)] [==>1200.0 Secs (Split 2)]	[4]
	12		ANY	NIC3, MULTIACCUM, NIC3-FIX	F110W	SAMP-SEQ=SPARS 128; OFFSET=SAM; NSAMP=23		Prime + Parallel Group 10-12	[==>]	[4]
	13		(8) NGC4921-PA23 3	ACS/WFC, ACCUM, WFC-FIX	F814W	CR-SPLIT=2; GAIN=2	POS TARG 0.155,0.115	Prime + Parallel Group 13-15	2400.0 Secs [==>1251.0 Secs (Split 1)] [==>1251.0 Secs (Split 2)]	[5]
	14		ANY	WFPC2, IMAGE, WFALL	F450W	CLOCKS=YES; CR-SPLIT=DEF		Prime + Parallel Group 13-15	2500.0 Secs [==>1300.0 Secs (Split 1)] [==>1200.0 Secs (Split 2)]	[5]
	15		ANY	NIC3, MULTIACCUM, NIC3-FIX	F160W	SAMP-SEQ=SPARS 128; OFFSET=SAM; NSAMP=23		Prime + Parallel Group 13-15	[==>]	[5]











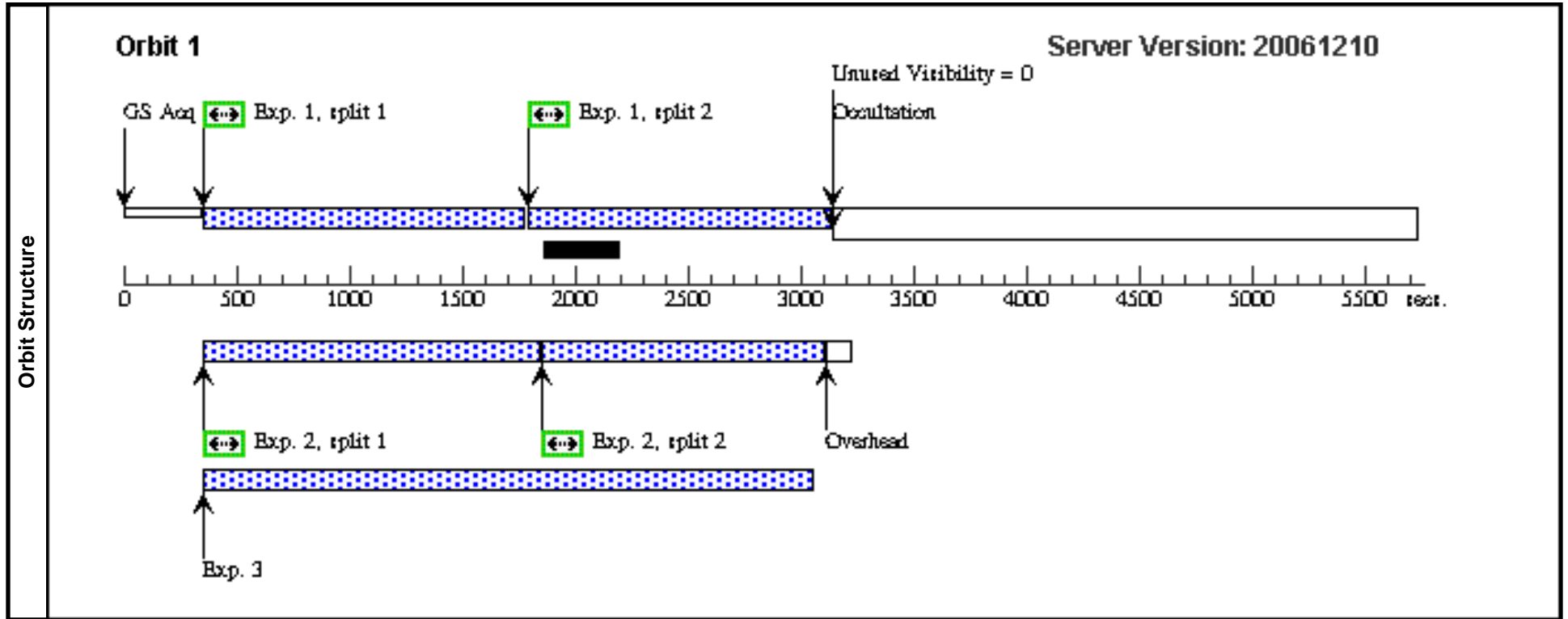
Proposal 10842 - Visit BZ - A Cepheid Distance to the Coma Cluster

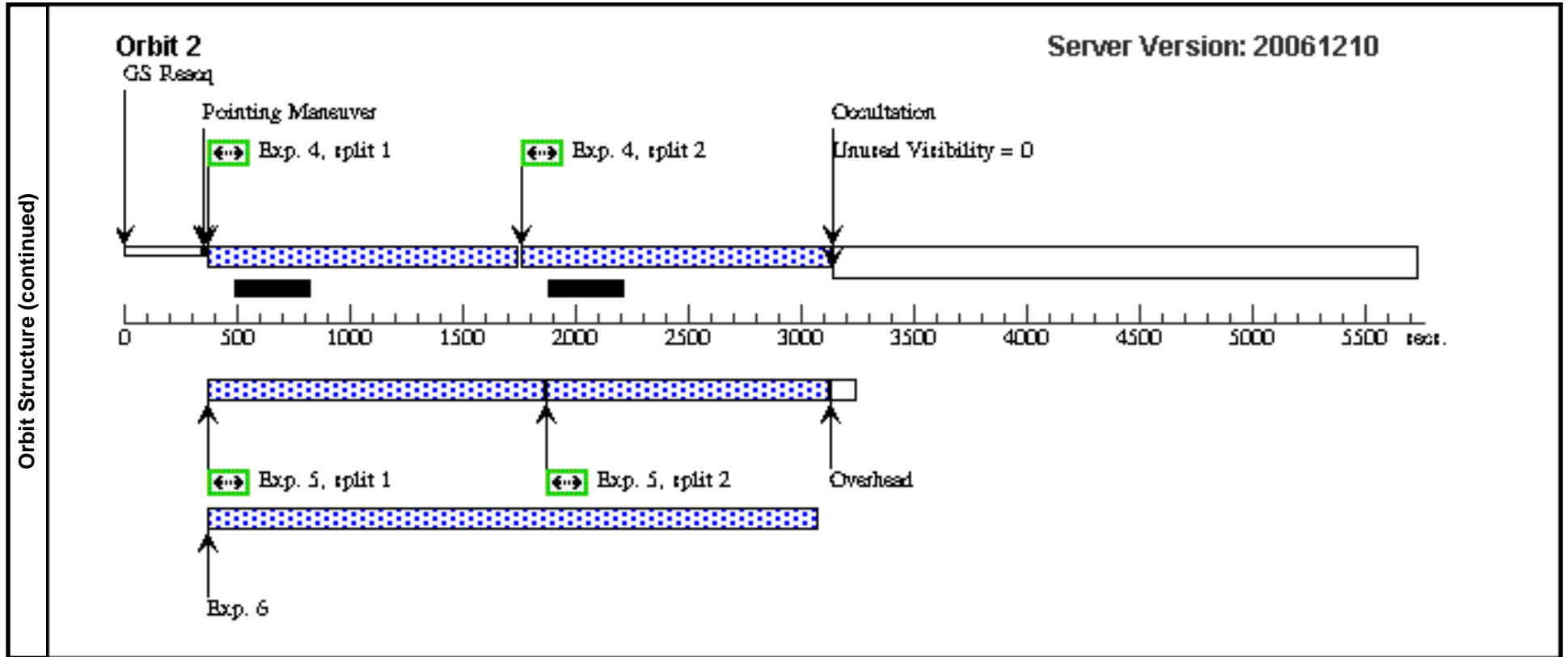
Fri Jan 19 02:15:37 GMT 2007

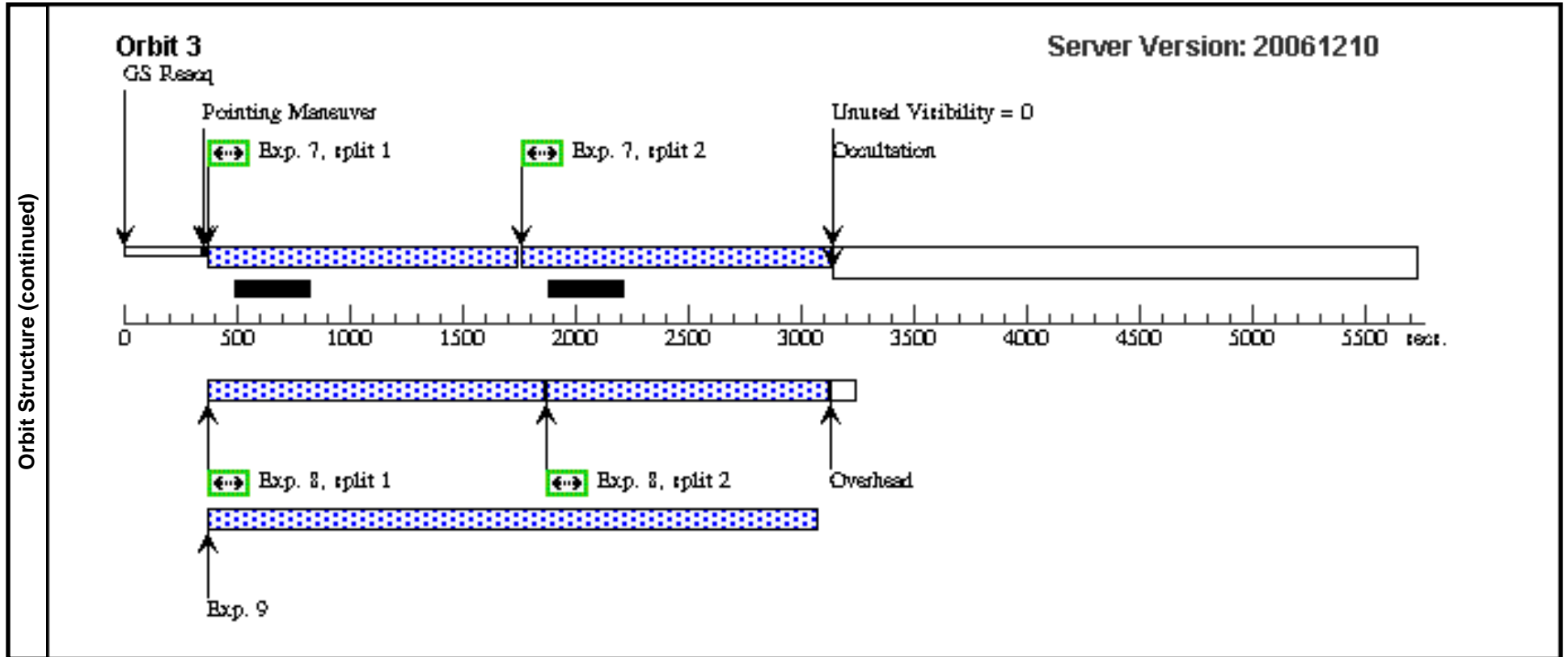
Visit		Proposal 10842, Visit BZ, scheduling Diagnostic Status: No Diagnostics Scientific Instruments: ACS/WFC, WFPC2, NIC3 Special Requirements: PCS MODE FINE; SAME ORIENT AS B9; AFTER BT BY 5 D TO 13 D									
Fixed Targets	#	Name	Target Coordinates	Targ. Coord. Corrections	Fluxes	Miscellaneous					
		(8)	NGC4921-PA233	RA: 13 01 26.0000 (195.3583333d) Dec: +27 53 10.00 (27.88611d) Equinox: J2000		V=13.0	Reference Frame: ICRS				
Exposures	#	Label	Target	Config,Mode,Aperture	Spectral Els.	Opt. Params.	Special Reqs.	Groups	Exp. Time/[Actual Dur.]	Orbit	
	1		(8) NGC4921-PA23 3	ACS/WFC, ACCUM, WFC-FIX	F814W	CR-SPLIT=2; GAIN=2	POS TARG -0.05,-0.025	Prime + Parallel Group 1-3	2400.0 Secs [==>1220.0 Secs (Split 1)] [==>1220.0 Secs (Split 2)]	[1]	
	2		ANY	WFPC2, IMAGE, WFALL	F606W	CLOCKS=YES; CR-SPLIT=DEF		Prime + Parallel Group 1-3	2500.0 Secs [==>1300.0 Secs (Split 1)] [==>1200.0 Secs (Split 2)]	[1]	
	3		ANY	NIC3, MULTIACCUM, NIC3-FIX	F160W	SAMP-SEQ=SPARS 128; OFFSET=SAM; NSAMP=23		Prime + Parallel Group 1-3	[==>]	[1]	
	4		(8) NGC4921-PA23 3	ACS/WFC, ACCUM, WFC-FIX	F814W	CR-SPLIT=2; GAIN=2	POS TARG -0.115,0.105	Prime + Parallel Group 4-6	2400.0 Secs [==>1251.0 Secs (Split 1)] [==>1251.0 Secs (Split 2)]	[2]	
	5		ANY	WFPC2, IMAGE, WFALL	F814W	CLOCKS=YES; CR-SPLIT=DEF		Prime + Parallel Group 4-6	2500.0 Secs [==>1300.0 Secs (Split 1)] [==>1200.0 Secs (Split 2)]	[2]	
	6		ANY	NIC3, MULTIACCUM, NIC3-FIX	F110W	SAMP-SEQ=SPARS 128; OFFSET=SAM; NSAMP=23		Prime + Parallel Group 4-6	[==>]	[2]	
	7		(8) NGC4921-PA23 3	ACS/WFC, ACCUM, WFC-FIX	F814W	CR-SPLIT=2; GAIN=2	POS TARG -0.18,-0.09	Prime + Parallel Group 7-9	2400.0 Secs [==>1251.0 Secs (Split 1)] [==>1251.0 Secs (Split 2)]	[3]	
8		ANY	WFPC2, IMAGE, WFALL	F814W	CLOCKS=YES; CR-SPLIT=DEF		Prime + Parallel Group 7-9	2500.0 Secs [==>1300.0 Secs (Split 1)] [==>1200.0 Secs (Split 2)]	[3]		

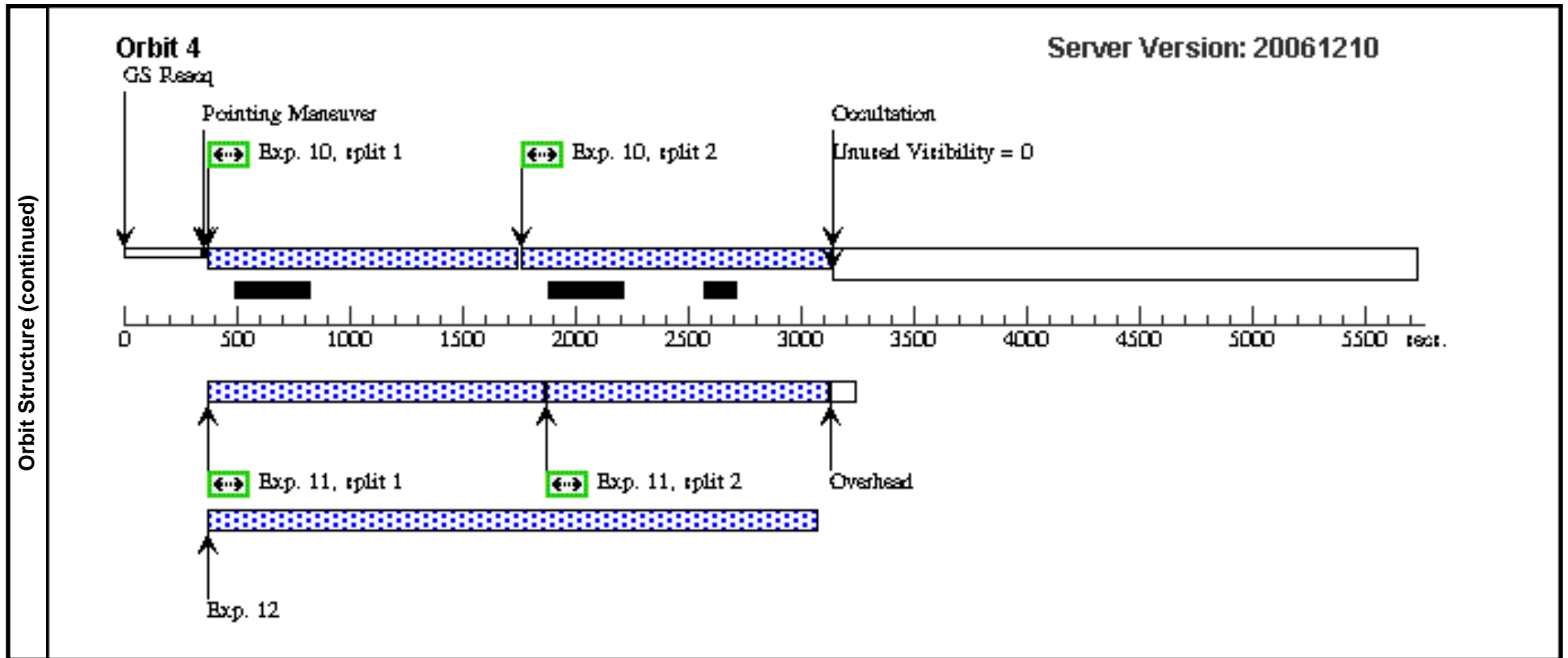
Proposal 10842 - Visit BZ - A Cepheid Distance to the Coma Cluster

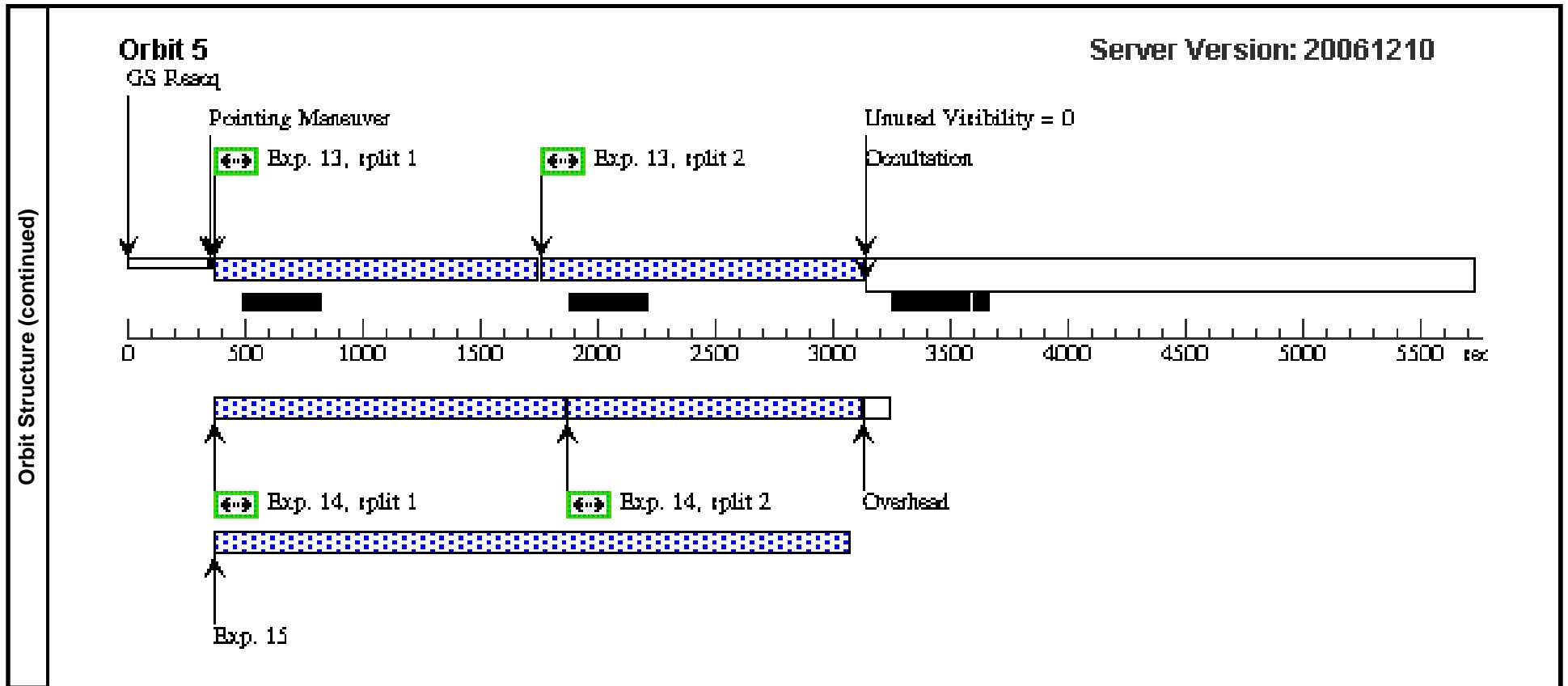
Exposures (continued)	#	Label	Target	Config,Mode,Aperture	Spectral Els.	Opt. Params.	Special Reqs.	Groups	Exp. Time/[Actual Dur.]	Orbit
	9		ANY	NIC3, MULTIACCUM, NIC3-FIX	F160W	SAMP-SEQ=SPARS 128; OFFSET=SAM; NSAMP=23		Prime + Parallel Group 7-9	[==>]	[3]
	10	(8) NGC4921-PA23 3		ACS/WFC, ACCUM, WFC-FIX	F814W	CR-SPLIT=2; GAIN=2	POS TARG 0.015,-0 .155	Prime + Parallel Group 10-12	2400.0 Secs [==>1251.0 Secs (Split 1)] [==>1251.0 Secs (Split 2)]	[4]
	11		ANY	WFPC2, IMAGE, WFALL	F450W	CLOCKS=YES; CR-SPLIT=DEF		Prime + Parallel Group 10-12	2500.0 Secs [==>1300.0 Secs (Split 1)] [==>1200.0 Secs (Split 2)]	[4]
	12		ANY	NIC3, MULTIACCUM, NIC3-FIX	F110W	SAMP-SEQ=SPARS 128; OFFSET=SAM; NSAMP=23		Prime + Parallel Group 10-12	[==>]	[4]
	13	(8) NGC4921-PA23 3		ACS/WFC, ACCUM, WFC-FIX	F814W	CR-SPLIT=2; GAIN=2	POS TARG 0.08,0.0 4	Prime + Parallel Group 13-15	2400.0 Secs [==>1251.0 Secs (Split 1)] [==>1251.0 Secs (Split 2)]	[5]
	14		ANY	WFPC2, IMAGE, WFALL	F450W	CLOCKS=YES; CR-SPLIT=DEF		Prime + Parallel Group 13-15	2500.0 Secs [==>1300.0 Secs (Split 1)] [==>1200.0 Secs (Split 2)]	[5]
	15		ANY	NIC3, MULTIACCUM, NIC3-FIX	F110W	SAMP-SEQ=SPARS 128; OFFSET=SAM; NSAMP=23		Prime + Parallel Group 13-15	[==>]	[5]











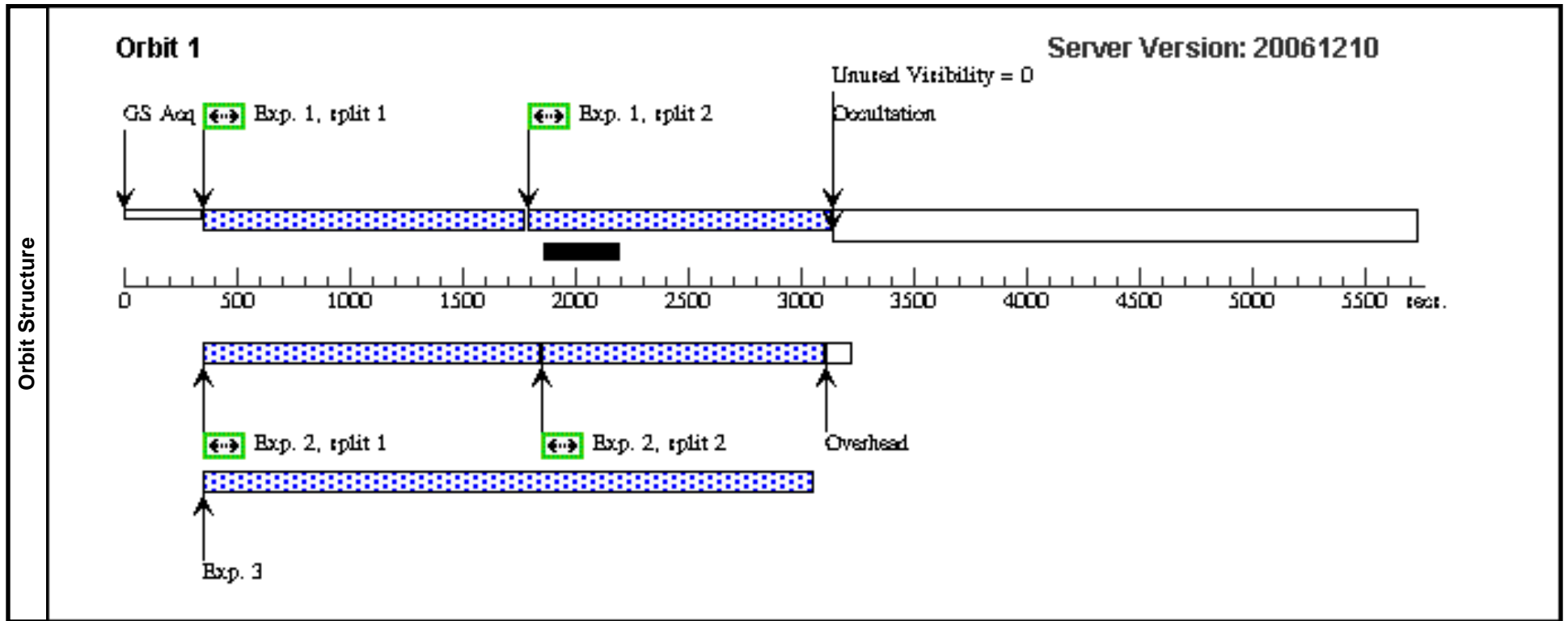
Proposal 10842 - Visit BB - A Cepheid Distance to the Coma Cluster

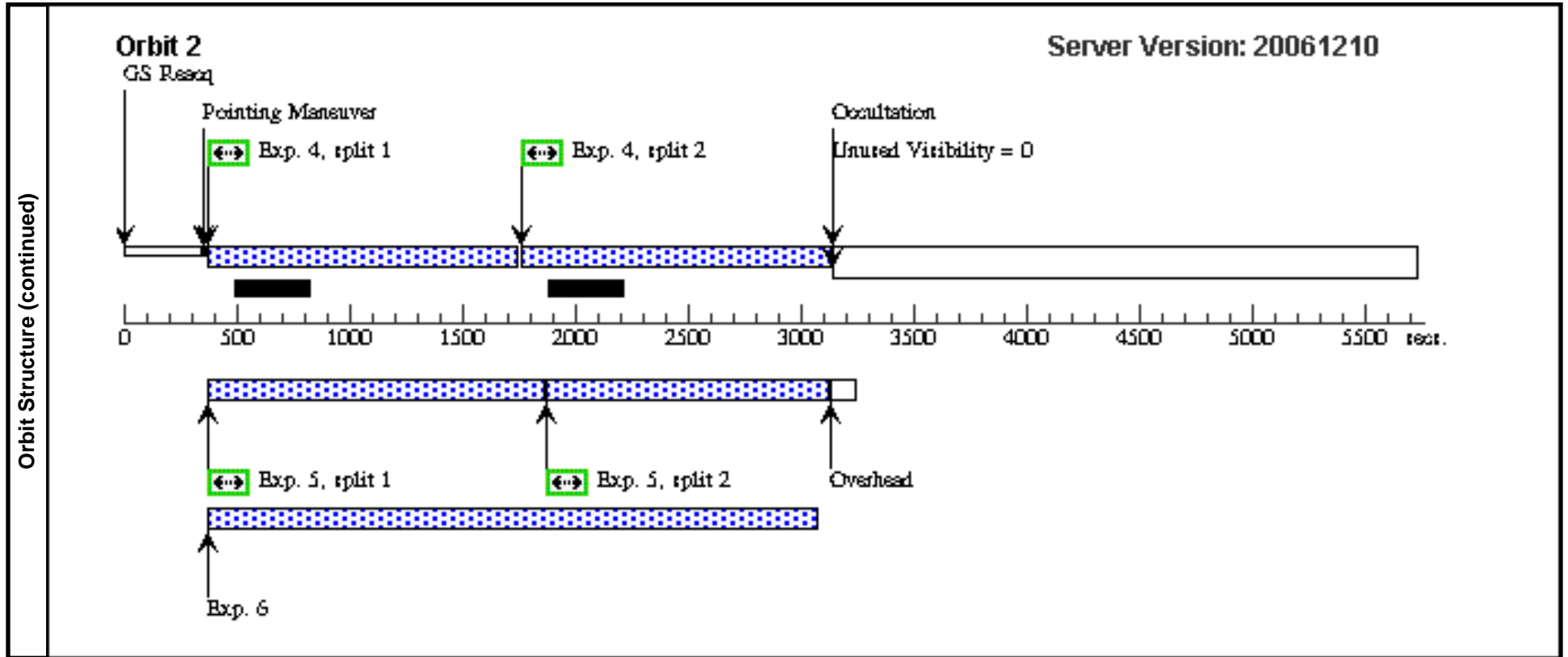
Fri Jan 19 02:15:41 GMT 2007

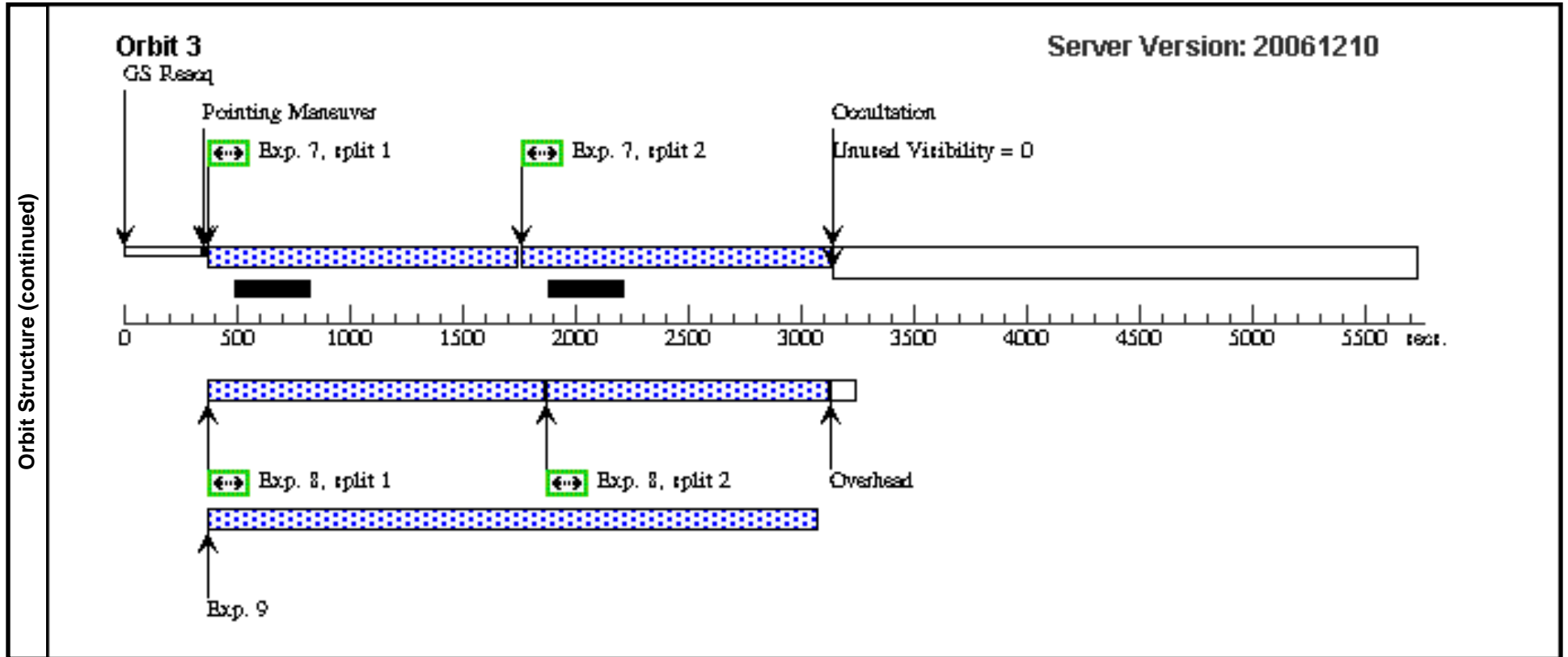
Visit	Proposal 10842, Visit BB, scheduling Diagnostic Status: No Diagnostics Scientific Instruments: ACS/WFC, WFPC2, NIC3 Special Requirements: PCS MODE FINE; SAME ORIENT AS B9; AFTER B1 BY 85.3 D TO 85.7 D									
	Fixed Targets	#	Name	Target Coordinates	Targ. Coord. Corrections	Fluxes	Miscellaneous			
	(8)	NGC4921-PA233	RA: 13 01 26.0000 (195.3583333d) Dec: +27 53 10.00 (27.88611d) Equinox: J2000			V=13.0	Reference Frame: ICRS			
Exposures	#	Label	Target	Config,Mode,Aperture	Spectral Els.	Opt. Params.	Special Reqs.	Groups	Exp. Time/[Actual Dur.]	Orbit
	1		(8) NGC4921-PA23 3	ACS/WFC, ACCUM, WFC-FIX	F606W	CR-SPLIT=2; GAIN=2	POS TARG 0.025,0. 05	Prime + Parallel Gro up 1-3	2400.0 Secs [==>1220.0 Secs (Split 1)] [==>1220.0 Secs (Split 2)]	[1]
	2		ANY	WFPC2, IMAGE, WFALL	F606W	CLOCKS=YES; CR-SPLIT=DEF		Prime + Parallel Gro up 1-3	2500.0 Secs [==>1300.0 Secs (Split 1)] [==>1200.0 Secs (Split 2)]	[1]
	3		ANY	NIC3, MULTIACCUM, NIC3-FIX	F160W	SAMP-SEQ=SPARS 128; OFFSET=SAM; NSAMP=23		Prime + Parallel Gro up 1-3	[==>]	[1]
	4		(8) NGC4921-PA23 3	ACS/WFC, ACCUM, WFC-FIX	F606W	CR-SPLIT=2; GAIN=2	POS TARG -0.04,0. 18	Prime + Parallel Gro up 4-6	2400.0 Secs [==>1251.0 Secs (Split 1)] [==>1251.0 Secs (Split 2)]	[2]
	5		ANY	WFPC2, IMAGE, WFALL	F814W	CLOCKS=YES; CR-SPLIT=DEF		Prime + Parallel Gro up 4-6	2500.0 Secs [==>1300.0 Secs (Split 1)] [==>1200.0 Secs (Split 2)]	[2]
	6		ANY	NIC3, MULTIACCUM, NIC3-FIX	F110W	SAMP-SEQ=SPARS 128; OFFSET=SAM; NSAMP=23		Prime + Parallel Gro up 4-6	[==>]	[2]
	7		(8) NGC4921-PA23 3	ACS/WFC, ACCUM, WFC-FIX	F606W	CR-SPLIT=2; GAIN=2	POS TARG -0.105,- 0.015	Prime + Parallel Gro up 7-9	2400.0 Secs [==>1251.0 Secs (Split 1)] [==>1251.0 Secs (Split 2)]	[3]
8		ANY	WFPC2, IMAGE, WFALL	F814W	CLOCKS=YES; CR-SPLIT=DEF		Prime + Parallel Gro up 7-9	2500.0 Secs [==>1300.0 Secs (Split 1)] [==>1200.0 Secs (Split 2)]	[3]	

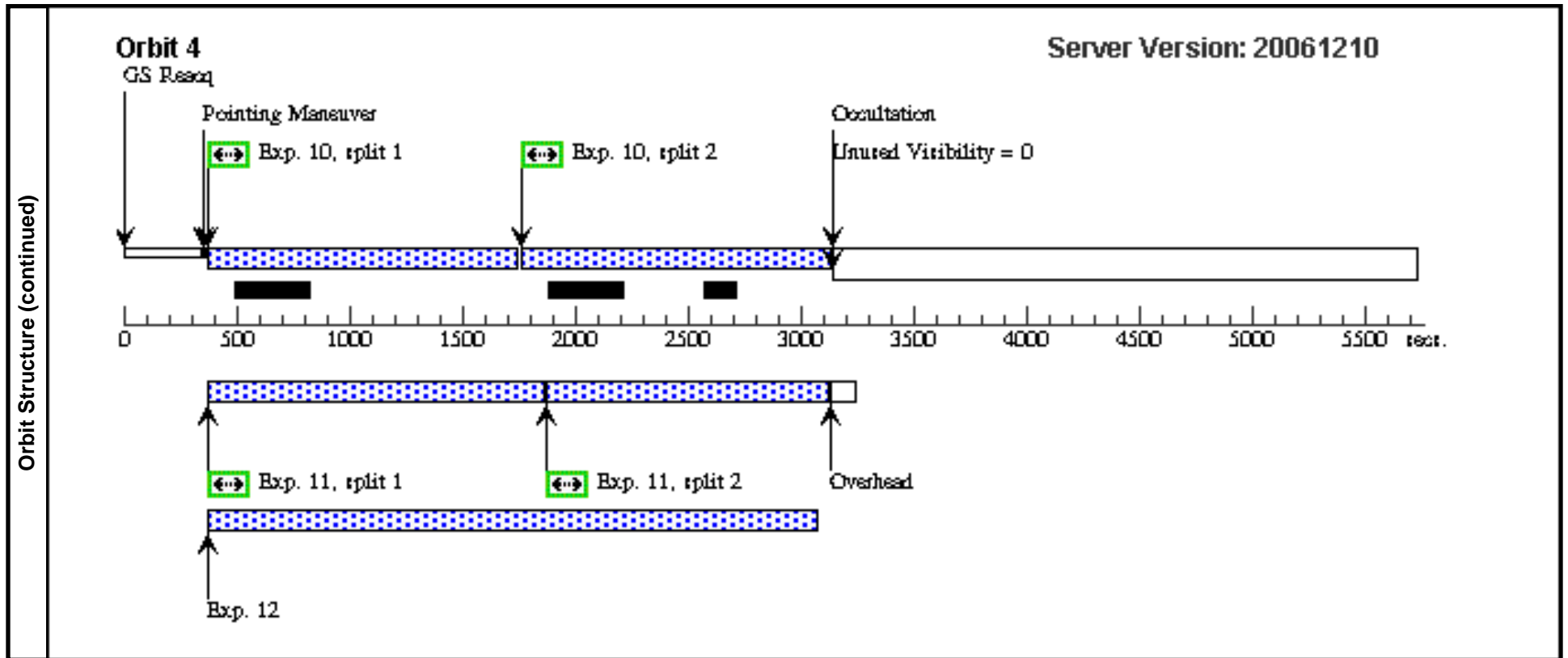
Proposal 10842 - Visit BB - A Cepheid Distance to the Coma Cluster

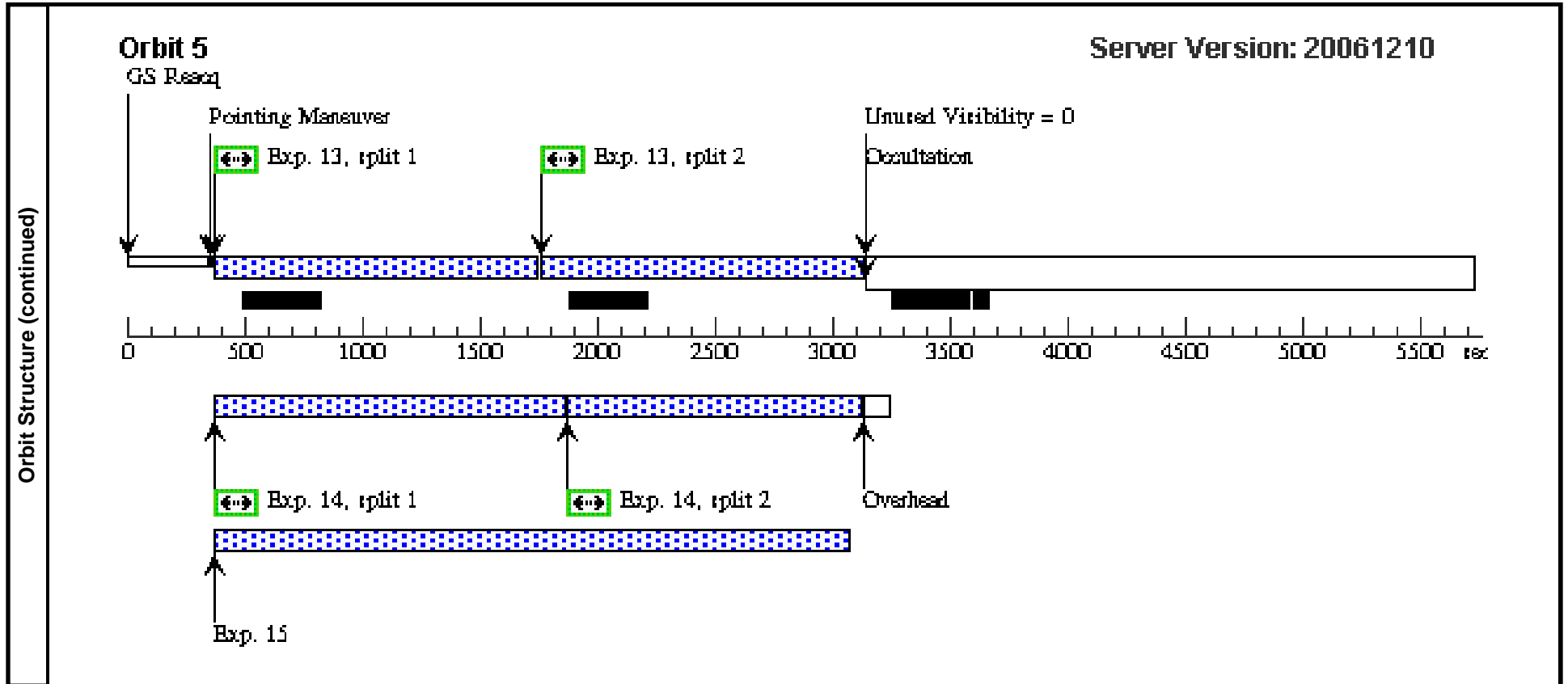
Exposures (continued)	#	Label	Target	Config,Mode,Aperture	Spectral Els.	Opt. Params.	Special Reqs.	Groups	Exp. Time/[Actual Dur.]	Orbit
	9		ANY	NIC3, MULTIACCUM, NIC3-FIX	F160W	SAMP-SEQ=SPARS 128; OFFSET=SAM; NSAMP=23		Prime + Parallel Group 7-9	[==>]	[3]
	10	(8) NGC4921-PA23 3		ACS/WFC, ACCUM, WFC-FIX	F606W	CR-SPLIT=2; GAIN=2	POS TARG 0.09,-0.08	Prime + Parallel Group 10-12	2400.0 Secs [==>1251.0 Secs (Split 1)] [==>1251.0 Secs (Split 2)]	[4]
	11		ANY	WFPC2, IMAGE, WFALL	F450W	CLOCKS=YES; CR-SPLIT=DEF		Prime + Parallel Group 10-12	2500.0 Secs [==>1300.0 Secs (Split 1)] [==>1200.0 Secs (Split 2)]	[4]
	12		ANY	NIC3, MULTIACCUM, NIC3-FIX	F110W	SAMP-SEQ=SPARS 128; OFFSET=SAM; NSAMP=23		Prime + Parallel Group 10-12	[==>]	[4]
	13	(8) NGC4921-PA23 3		ACS/WFC, ACCUM, WFC-FIX	F606W	CR-SPLIT=2; GAIN=2	POS TARG 0.155,0.115	Prime + Parallel Group 13-15	2400.0 Secs [==>1251.0 Secs (Split 1)] [==>1251.0 Secs (Split 2)]	[5]
	14		ANY	WFPC2, IMAGE, WFALL	F450W	CLOCKS=YES; CR-SPLIT=DEF		Prime + Parallel Group 13-15	2500.0 Secs [==>1300.0 Secs (Split 1)] [==>1200.0 Secs (Split 2)]	[5]
	15		ANY	NIC3, MULTIACCUM, NIC3-FIX	F110W	SAMP-SEQ=SPARS 128; OFFSET=SAM; NSAMP=23		Prime + Parallel Group 13-15	[==>]	[5]











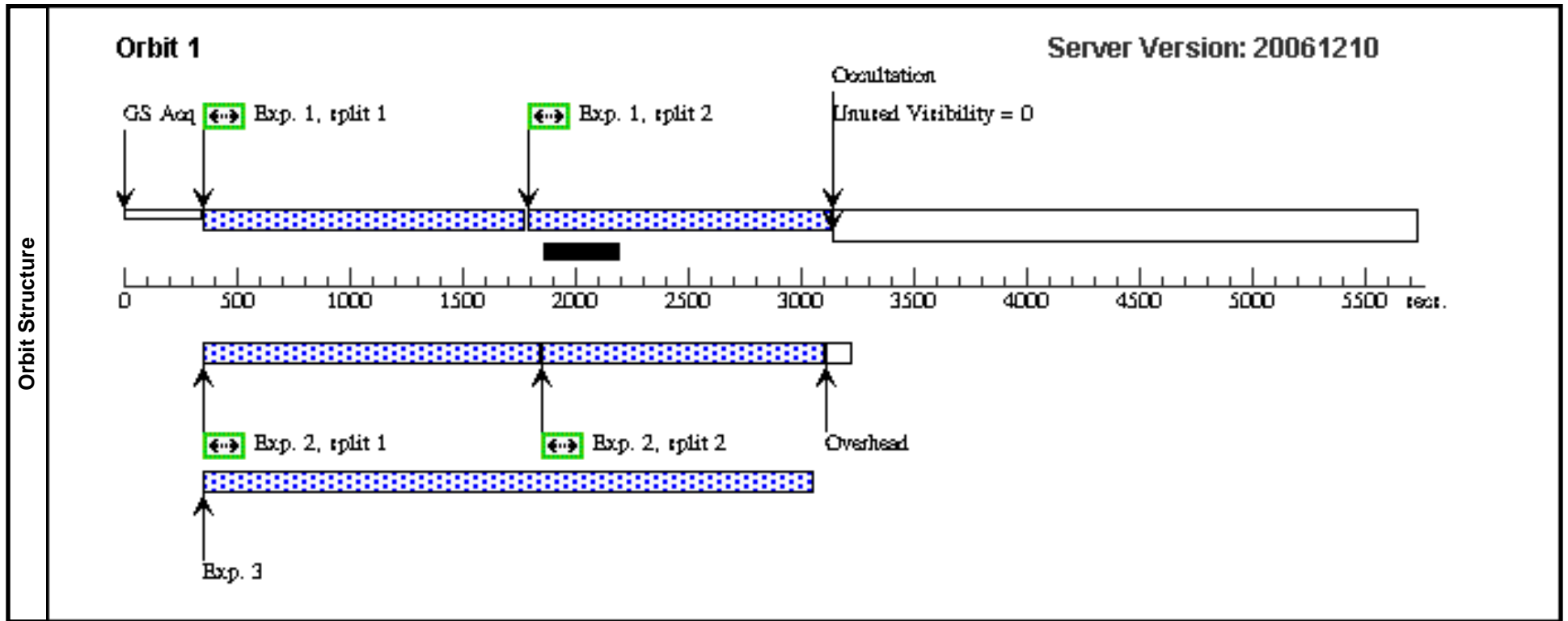
Proposal 10842 - Visit BC - A Cepheid Distance to the Coma Cluster

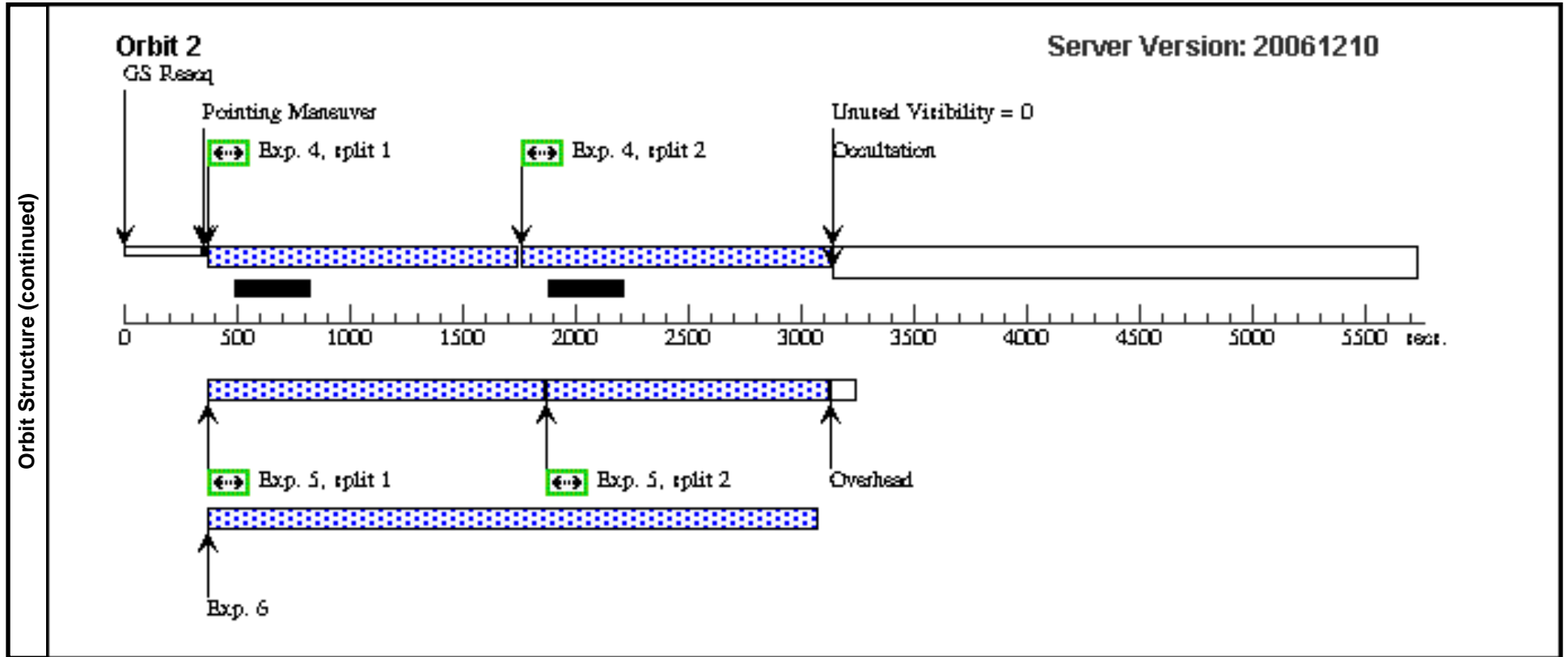
Fri Jan 19 02:15:42 GMT 2007

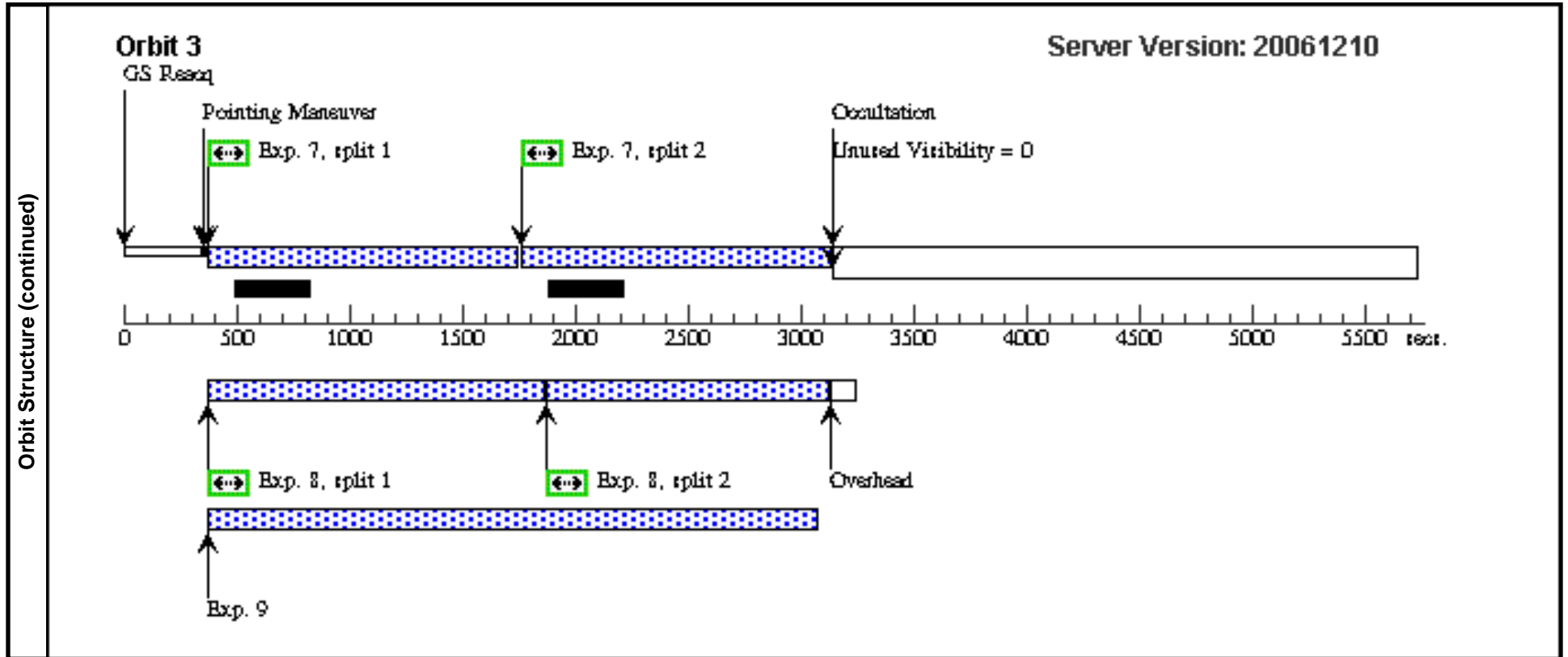
Visit	Proposal 10842, Visit BC, scheduling Diagnostic Status: No Diagnostics Scientific Instruments: ACS/WFC, WFPC2, NIC3 Special Requirements: PCS MODE FINE; SAME ORIENT AS B9; AFTER B1 BY 89 D TO 90.3 D									
	Fixed Targets	#	Name	Target Coordinates	Targ. Coord. Corrections	Fluxes	Miscellaneous			
	(8)	NGC4921-PA233	RA: 13 01 26.0000 (195.3583333d) Dec: +27 53 10.00 (27.88611d) Equinox: J2000			V=13.0	Reference Frame: ICRS			
Exposures	#	Label	Target	Config,Mode,Aperture	Spectral Els.	Opt. Params.	Special Reqs.	Groups	Exp. Time/[Actual Dur.]	Orbit
	1		(8) NGC4921-PA23 3	ACS/WFC, ACCUM, WFC-FIX	F606W	CR-SPLIT=2; GAIN=2	POS TARG -0.05,-0.025	Prime + Parallel Group 1-3	2400.0 Secs [==>1220.0 Secs (Split 1)] [==>1220.0 Secs (Split 2)]	[1]
	2		ANY	WFPC2, IMAGE, WFALL	F606W	CLOCKS=YES; CR-SPLIT=DEF		Prime + Parallel Group 1-3	2400.0 Secs [==>1300.0 Secs (Split 1)] [==>1200.0 Secs (Split 2)]	[1]
	3		ANY	NIC3, MULTIACCUM, NIC3-FIX	F160W	SAMP-SEQ=SPARS 128; OFFSET=SAM; NSAMP=23		Prime + Parallel Group 1-3	[==>]	[1]
	4		(8) NGC4921-PA23 3	ACS/WFC, ACCUM, WFC-FIX	F606W	CR-SPLIT=2; GAIN=2	POS TARG -0.115,0.105	Prime + Parallel Group 4-6	2400.0 Secs [==>1251.0 Secs (Split 1)] [==>1251.0 Secs (Split 2)]	[2]
	5		ANY	WFPC2, IMAGE, WFALL	F814W	CLOCKS=YES; CR-SPLIT=DEF		Prime + Parallel Group 4-6	2400.0 Secs [==>1300.0 Secs (Split 1)] [==>1200.0 Secs (Split 2)]	[2]
	6		ANY	NIC3, MULTIACCUM, NIC3-FIX	F110W	SAMP-SEQ=SPARS 128; OFFSET=SAM; NSAMP=23		Prime + Parallel Group 4-6	[==>]	[2]
	7		(8) NGC4921-PA23 3	ACS/WFC, ACCUM, WFC-FIX	F606W	CR-SPLIT=2; GAIN=2	POS TARG -0.18,-0.09	Prime + Parallel Group 7-9	2400.0 Secs [==>1251.0 Secs (Split 1)] [==>1251.0 Secs (Split 2)]	[3]
8		ANY	WFPC2, IMAGE, WFALL	F814W	CLOCKS=YES; CR-SPLIT=DEF		Prime + Parallel Group 7-9	2400.0 Secs [==>1300.0 Secs (Split 1)] [==>1200.0 Secs (Split 2)]	[3]	

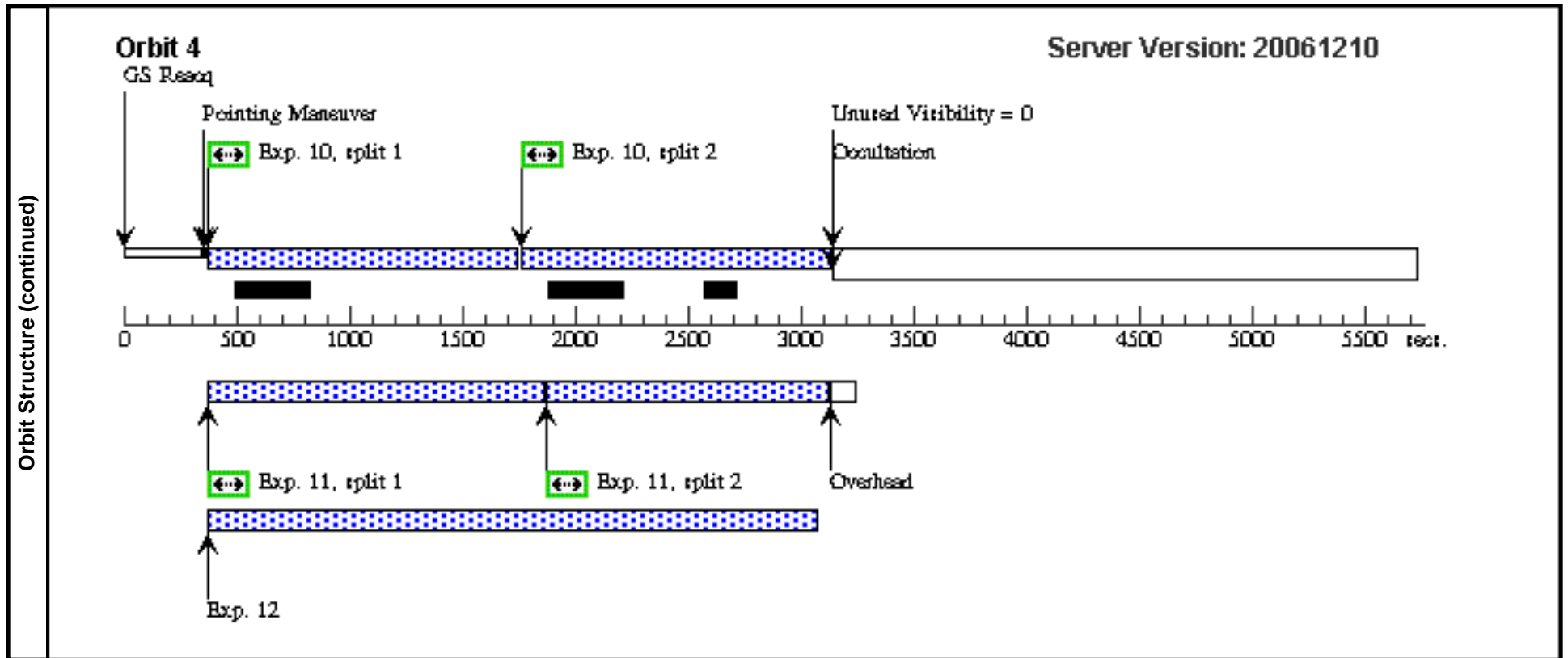
Proposal 10842 - Visit BC - A Cepheid Distance to the Coma Cluster

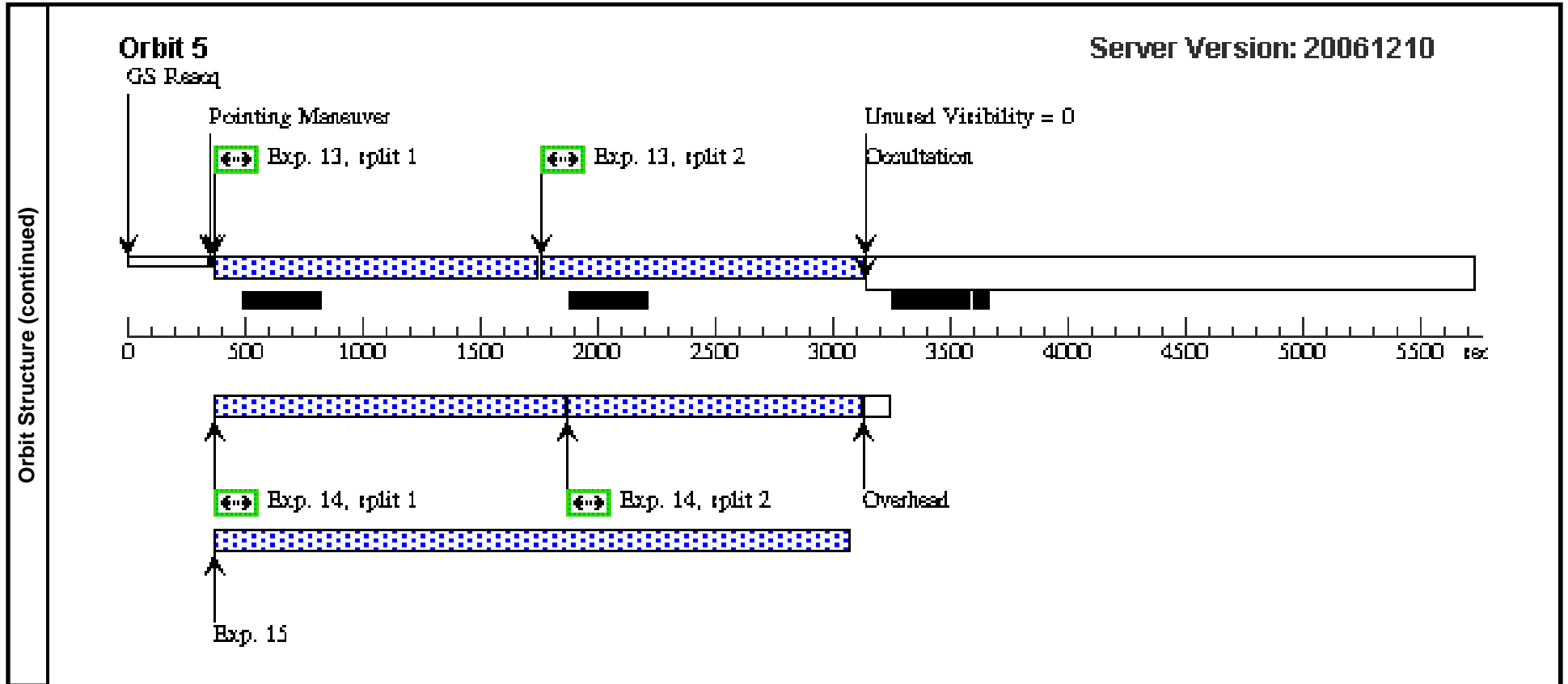
Exposures (continued)	#	Label	Target	Config,Mode,Aperture	Spectral Els.	Opt. Params.	Special Reqs.	Groups	Exp. Time/[Actual Dur.]	Orbit
	9		ANY	NIC3, MULTIACCUM, NIC3-FIX	F160W	SAMP-SEQ=SPARS 128; OFFSET=SAM; NSAMP=23		Prime + Parallel Group 7-9	[==>]	[3]
	10	(8) NGC4921-PA23 3		ACS/WFC, ACCUM, WFC-FIX	F606W	CR-SPLIT=2; GAIN=2	POS TARG 0.015,-0 .155	Prime + Parallel Group 10-12	2400.0 Secs [==>1251.0 Secs (Split 1)] [==>1251.0 Secs (Split 2)]	[4]
	11		ANY	WFPC2, IMAGE, WFALL	F450W	CLOCKS=YES; CR-SPLIT=DEF		Prime + Parallel Group 10-12	2400.0 Secs [==>1300.0 Secs (Split 1)] [==>1200.0 Secs (Split 2)]	[4]
	12		ANY	NIC3, MULTIACCUM, NIC3-FIX	F110W	SAMP-SEQ=SPARS 128; OFFSET=SAM; NSAMP=23		Prime + Parallel Group 10-12	[==>]	[4]
	13	(8) NGC4921-PA23 3		ACS/WFC, ACCUM, WFC-FIX	F606W	CR-SPLIT=2; GAIN=2	POS TARG 0.08,0.0 4	Prime + Parallel Group 13-15	2400.0 Secs [==>1251.0 Secs (Split 1)] [==>1251.0 Secs (Split 2)]	[5]
	14		ANY	WFPC2, IMAGE, WFALL	F450W	CLOCKS=YES; CR-SPLIT=DEF		Prime + Parallel Group 13-15	2400.0 Secs [==>1300.0 Secs (Split 1)] [==>1200.0 Secs (Split 2)]	[5]
	15		ANY	NIC3, MULTIACCUM, NIC3-FIX	F110W	SAMP-SEQ=SPARS 128; OFFSET=SAM; NSAMP=23		Prime + Parallel Group 13-15	[==>]	[5]











Proposal 10842 - Visit C2 - A Cepheid Distance to the Coma Cluster

Fri Jan 19 02:15:44 GMT 2007

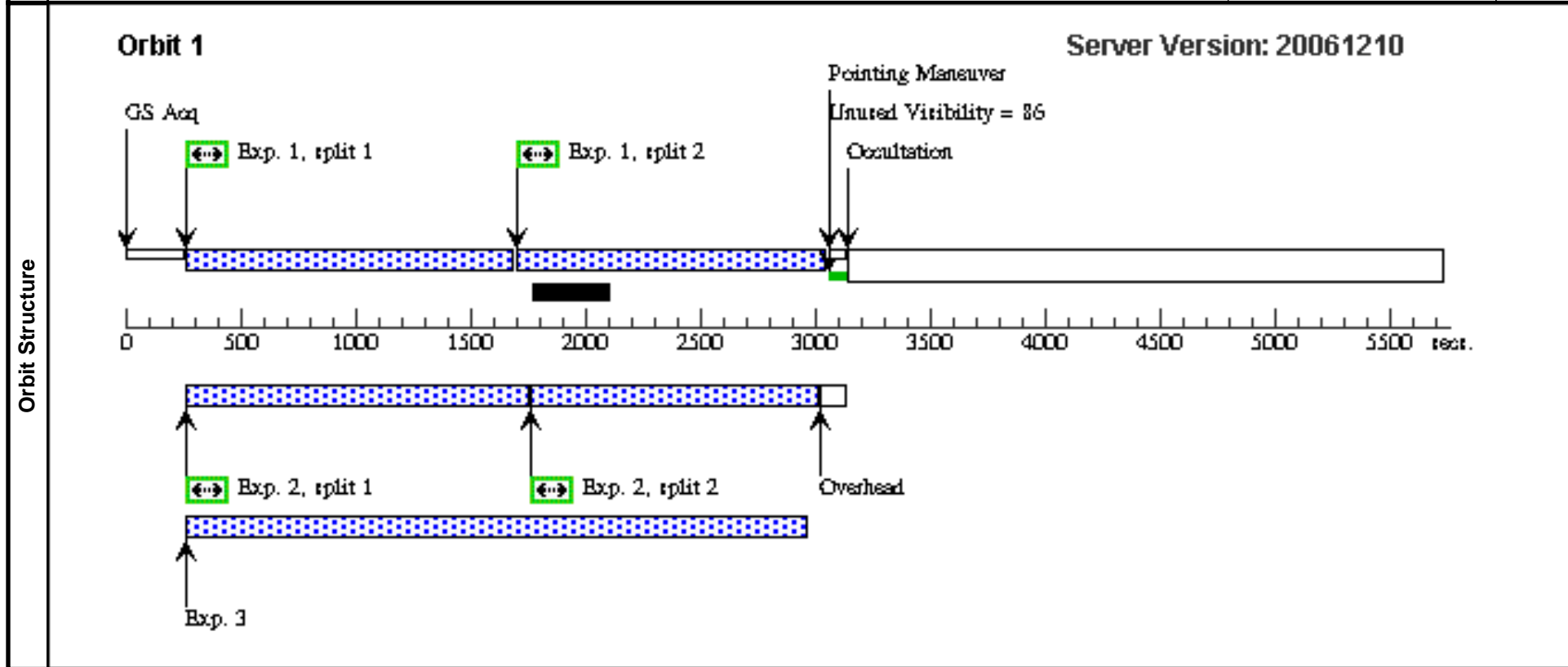
Visit	Proposal 10842, Visit C2, scheduling Diagnostic Status: No Diagnostics Scientific Instruments: ACS/WFC, WFPC2, NIC3 Special Requirements: PCS MODE FINE; ORIENT 248.5D TO 248.5 D; BETWEEN 17-FEB-2007:12:00:00 AND 19-FEB-2007:12:00:00 Comments: This is a repeat of failed visit A2.									
	Fixed Targets	#	Name	Target Coordinates	Targ. Coord. Corrections	Fluxes	Miscellaneous			
	(4)	NGC4911-PA266	RA: 13 00 56.1650 (195.2340208d) Dec: +27 46 48.00 (27.78000d) Equinox: J2000			V=13.0	Reference Frame: ICRS			
Exposures	#	Label	Target	Config,Mode,Aperture	Spectral Els.	Opt. Params.	Special Reqs.	Groups	Exp. Time/[Actual Dur.]	Orbit
	1		(4) NGC4911-PA26 6	ACS/WFC, ACCUM, WFC1-FIX	F606W	CR-SPLIT=2; GAIN=2	POS TARG 0.025,0.05; GSPAIR N59N0002 12F1000000000F0; GS ACQ SCENARI O SINGLE	Prime + Parallel Group 1-3	2400.0 Secs [==>1220.0 Secs (Split 1)] [==>1220.0 Secs (Split 2)]	[1]
	2	ANY		WFPC2, IMAGE, WFALL	F606W	CLOCKS=YES; CR-SPLIT=DEF		Prime + Parallel Group 1-3	2400.0 Secs [==>1300.0 Secs (Split 1)] [==>1200.0 Secs (Split 2)]	[1]
	3	ANY		NIC3, MULTIACCUM, NIC3-FIX	F160W	SAMP-SEQ=SPARS 128; OFFSET=SAM; NSAMP=23		Prime + Parallel Group 1-3	[==>]	[1]
	4		(4) NGC4911-PA26 6	ACS/WFC, ACCUM, WFC1-FIX	F606W	CR-SPLIT=2; GAIN=2	POS TARG -0.04,0.18; NEW OBSET FULL ACQ; GSPAIR N59N0002 12F1000000000F0; GS ACQ SCENARI O SINGLE	Prime + Parallel Group 4-6	2400.0 Secs [==>1251.0 Secs (Split 1)] [==>1251.0 Secs (Split 2)]	[2]
	5	ANY		WFPC2, IMAGE, WFALL	F814W	CLOCKS=YES; CR-SPLIT=DEF		Prime + Parallel Group 4-6	2400.0 Secs [==>1300.0 Secs (Split 1)] [==>1200.0 Secs (Split 2)]	[2]
6	ANY		NIC3, MULTIACCUM, NIC3-FIX	F110W	SAMP-SEQ=SPARS 128; OFFSET=SAM; NSAMP=23		Prime + Parallel Group 4-6	[==>]	[2]	

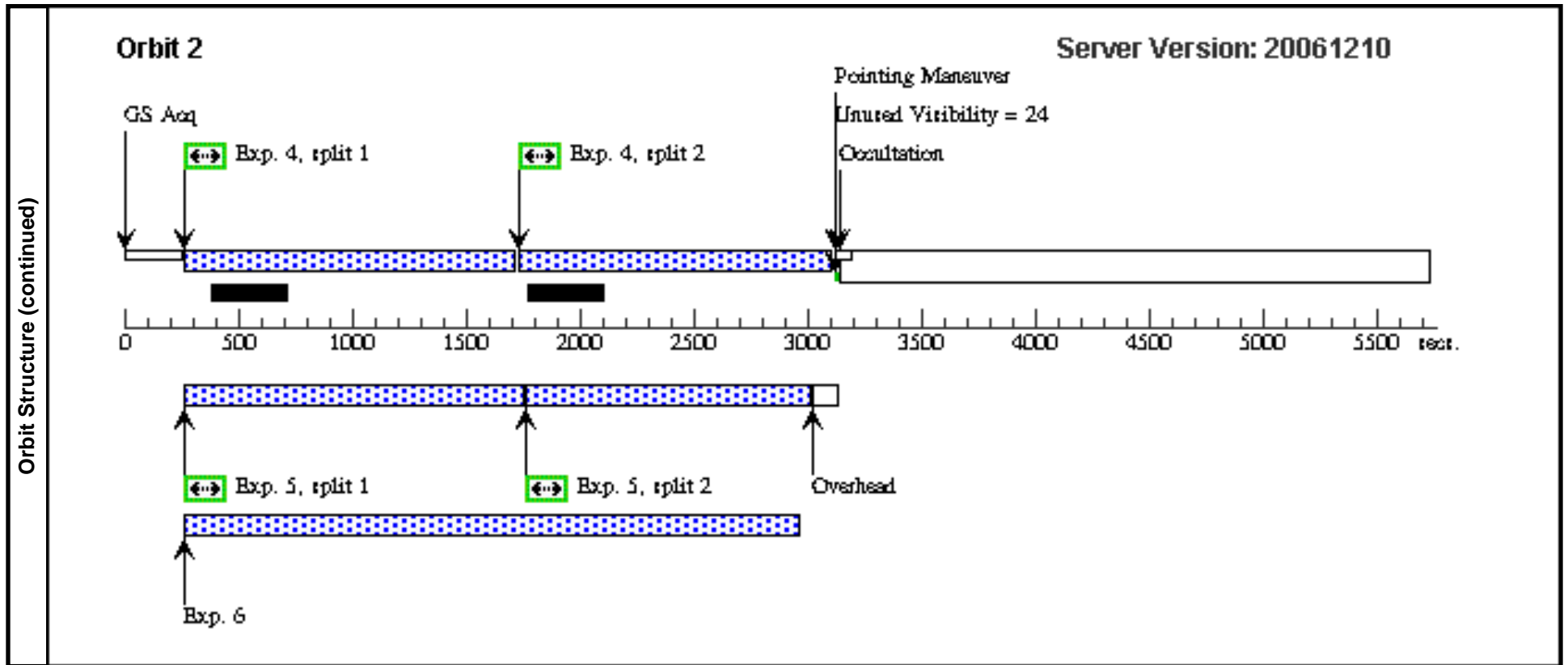
Proposal 10842 - Visit C2 - A Cepheid Distance to the Coma Cluster

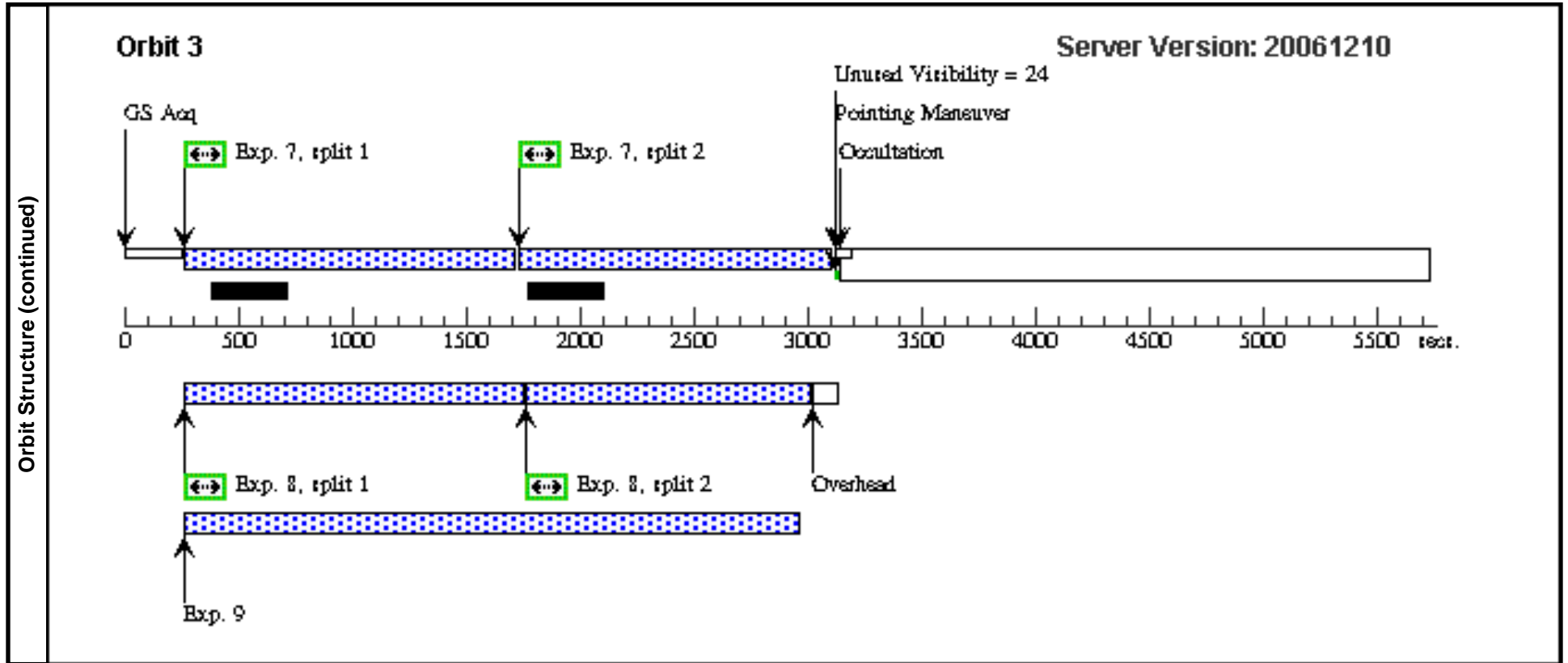
#	Label	Target	Config,Mode,Aperture	Spectral Els.	Opt. Params.	Special Reqs.	Groups	Exp. Time/[Actual Dur.]	Orbit
Exposures (continued)	7	(4) NGC4911-PA26 6	ACS/WFC, ACCUM, WFC1-FIX	F606W	CR-SPLIT=2; GAIN=2	POS TARG -0.105,- 0.015; NEW OBSET FULL ACQ; GSPAIR N59N0002 12F1000000000F0; GS ACQ SCENARI O SINGLE	Prime + Parallel Gro up 7-9	2400.0 Secs [==>1251.0 Secs (Split 1)] [==>1251.0 Secs (Split 2)]	[3]
	8	ANY	WFPC2, IMAGE, WFALL	F814W	CLOCKS=YES; CR-SPLIT=DEF		Prime + Parallel Gro up 7-9	2400.0 Secs [==>1300.0 Secs (Split 1)] [==>1200.0 Secs (Split 2)]	[3]
	9	ANY	NIC3, MULTIACCUM, NIC3-FIX	F160W	SAMP-SEQ=SPARS 128; OFFSET=SAM; NSAMP=23		Prime + Parallel Gro up 7-9	[==>]	[3]
	10	(4) NGC4911-PA26 6	ACS/WFC, ACCUM, WFC1-FIX	F606W	CR-SPLIT=2; GAIN=2	POS TARG 0.09,-0. 08; NEW OBSET FULL ACQ; GSPAIR N59N0002 12F1000000000F0; GS ACQ SCENARI O SINGLE	Prime + Parallel Gro up 10-12	2400.0 Secs [==>1251.0 Secs (Split 1)] [==>1251.0 Secs (Split 2)]	[4]
	11	ANY	WFPC2, IMAGE, WFALL	F450W	CLOCKS=YES; CR-SPLIT=DEF		Prime + Parallel Gro up 10-12	2400.0 Secs [==>1300.0 Secs (Split 1)] [==>1200.0 Secs (Split 2)]	[4]
	12	ANY	NIC3, MULTIACCUM, NIC3-FIX	F110W	SAMP-SEQ=SPARS 128; OFFSET=SAM; NSAMP=23		Prime + Parallel Gro up 10-12	[==>]	[4]
	13	(4) NGC4911-PA26 6	ACS/WFC, ACCUM, WFC1-FIX	F606W	CR-SPLIT=2; GAIN=2	POS TARG 0.155,0. 115; NEW OBSET FULL ACQ; GSPAIR N59N0002 12F1000000000F0; GS ACQ SCENARI O SINGLE	Prime + Parallel Gro up 13-15	2400.0 Secs [==>1251.0 Secs (Split 1)] [==>1251.0 Secs (Split 2)]	[5]
	14	ANY	WFPC2, IMAGE, WFALL	F450W	CLOCKS=YES; CR-SPLIT=DEF		Prime + Parallel Gro up 13-15	2400.0 Secs [==>1300.0 Secs (Split 1)] [==>1200.0 Secs (Split 2)]	[5]

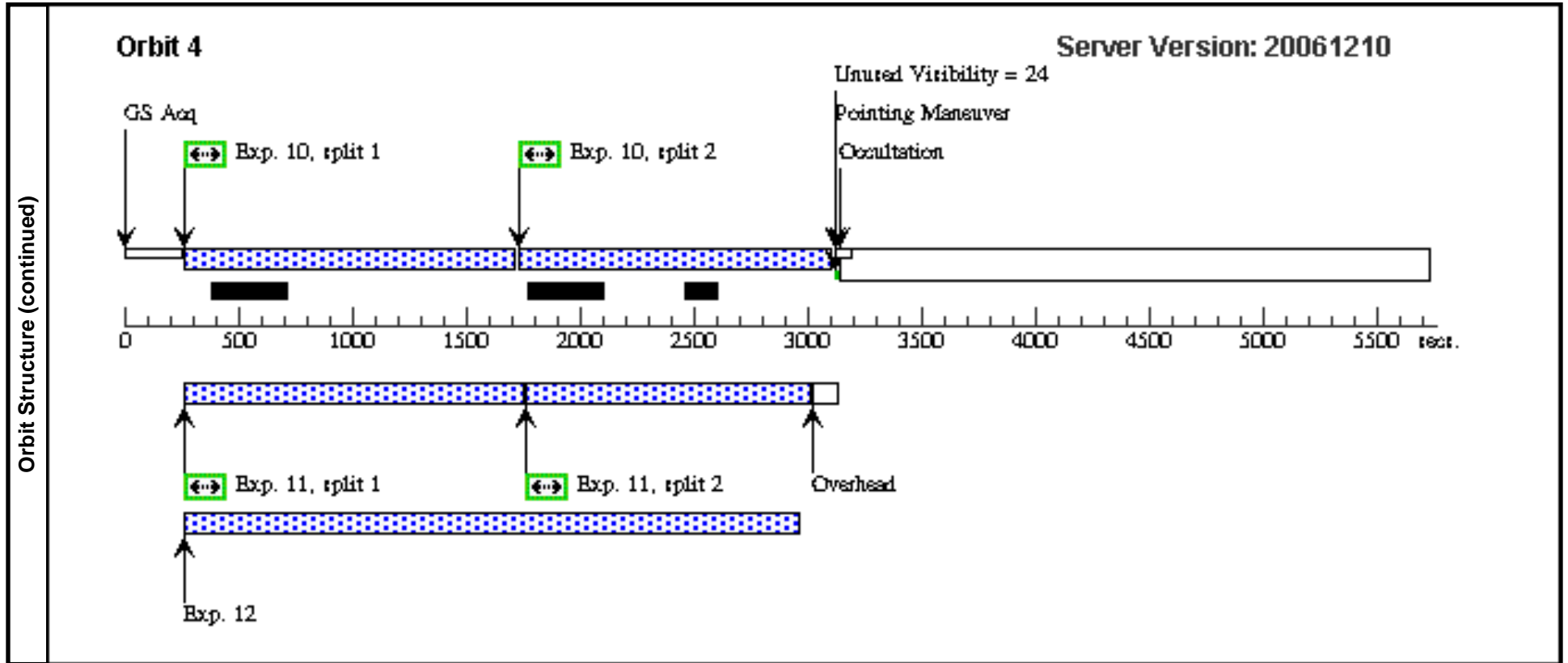
Proposal 10842 - Visit C2 - A Cepheid Distance to the Coma Cluster

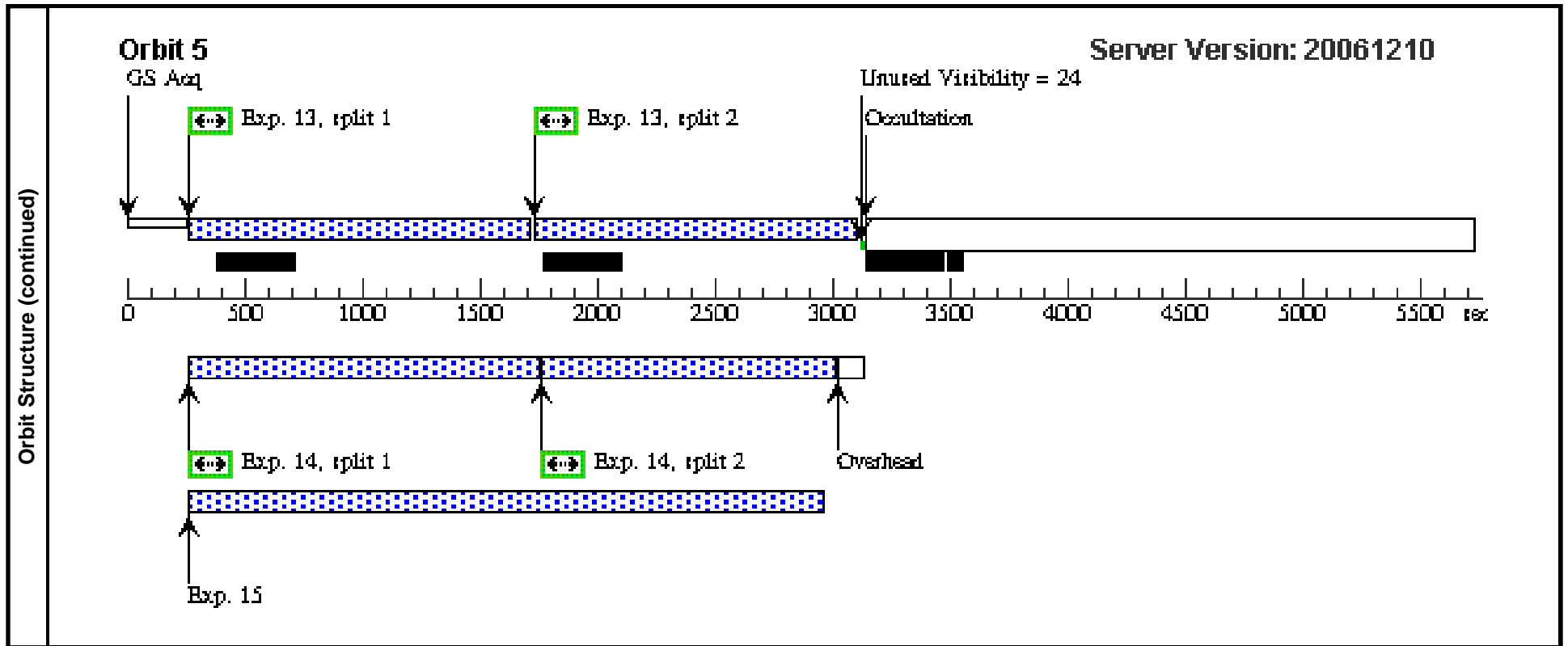
Exposures (continued)	#	Label	Target	Config, Mode, Aperture	Spectral Els.	Opt. Params.	Special Reqs.	Groups	Exp. Time/[Actual Dur.]	Orbit
	15	ANY	NIC3, MULTIACCUM, NIC3-FIX	F110W	SAMP-SEQ=SPARS 128; OFFSET=SAM; NSAMP=23	Prime + Parallel Gro up 13-15	[==>]	[5]		











Proposal 10842 - Visit CV - A Cepheid Distance to the Coma Cluster

Fri Jan 19 02:15:45 GMT 2007

Visit	Proposal 10842, Visit CV, scheduling Diagnostic Status: No Diagnostics Scientific Instruments: ACS/WFC, WFPC2, NIC3 Special Requirements: PCS MODE FINE; ORIENT 248.5D TO 248.5 D; BETWEEN 12-FEB-2007:00:00:00 AND 24-FEB-2007:00:00:00 Comments: This is a repeat of failed visit AV.									
	Fixed Targets	#	Name	Target Coordinates	Targ. Coord. Corrections	Fluxes	Miscellaneous			
	(4)	NGC4911-PA266	RA: 13 00 56.1650 (195.2340208d) Dec: +27 46 48.00 (27.78000d) Equinox: J2000			V=13.0	Reference Frame: ICRS			
Exposures	#	Label	Target	Config,Mode,Aperture	Spectral Els.	Opt. Params.	Special Reqs.	Groups	Exp. Time/[Actual Dur.]	Orbit
	1		(4) NGC4911-PA26 6	ACS/WFC, ACCUM, WFC1-FIX	F606W	CR-SPLIT=2; GAIN=2	POS TARG 0.025,0.05; GSPAIR N59N0002 12F1000000000F0; GS ACQ SCENARI O SINGLE	Prime + Parallel Group 1-3	2400.0 Secs [==>1220.0 Secs (Split 1)] [==>1220.0 Secs (Split 2)]	[1]
	2		ANY	WFPC2, IMAGE, WFALL	F606W	CLOCKS=YES; CR-SPLIT=DEF		Prime + Parallel Group 1-3	2400.0 Secs [==>1300.0 Secs (Split 1)] [==>1200.0 Secs (Split 2)]	[1]
	3		ANY	NIC3, MULTIACCUM, NIC3-FIX	F160W	SAMP-SEQ=SPARS 128; OFFSET=SAM; NSAMP=23		Prime + Parallel Group 1-3	[==>]	[1]
	4		(4) NGC4911-PA26 6	ACS/WFC, ACCUM, WFC1-FIX	F606W	CR-SPLIT=2; GAIN=2	POS TARG -0.04,0.18; NEW OBSET FULL ACQ; GSPAIR N59N0002 12F1000000000F0; GS ACQ SCENARI O SINGLE	Prime + Parallel Group 4-6	2400.0 Secs [==>1251.0 Secs (Split 1)] [==>1251.0 Secs (Split 2)]	[2]
	5		ANY	WFPC2, IMAGE, WFALL	F814W	CLOCKS=YES; CR-SPLIT=DEF		Prime + Parallel Group 4-6	2400.0 Secs [==>1300.0 Secs (Split 1)] [==>1200.0 Secs (Split 2)]	[2]
6		ANY	NIC3, MULTIACCUM, NIC3-FIX	F110W	SAMP-SEQ=SPARS 128; OFFSET=SAM; NSAMP=23		Prime + Parallel Group 4-6	[==>]	[2]	

Proposal 10842 - Visit CV - A Cepheid Distance to the Coma Cluster

#	Label	Target	Config,Mode,Aperture	Spectral Els.	Opt. Params.	Special Reqs.	Groups	Exp. Time/[Actual Dur.]	Orbit
Exposures (continued)	7	(4) NGC4911-PA26 6	ACS/WFC, ACCUM, WFC1-FIX	F606W	CR-SPLIT=2; GAIN=2	POS TARG -0.105,- 0.015; NEW OBSET FULL ACQ; GSPAIR N59N0002 12F1000000000F0; GS ACQ SCENARI O SINGLE	Prime + Parallel Gro up 7-9	2400.0 Secs [==>1251.0 Secs (Split 1)] [==>1251.0 Secs (Split 2)]	[3]
	8	ANY	WFPC2, IMAGE, WFALL	F814W	CLOCKS=YES; CR-SPLIT=DEF		Prime + Parallel Gro up 7-9	2400.0 Secs [==>1300.0 Secs (Split 1)] [==>1200.0 Secs (Split 2)]	[3]
	9	ANY	NIC3, MULTIACCUM, NIC3-FIX	F160W	SAMP-SEQ=SPARS 128; OFFSET=SAM; NSAMP=23		Prime + Parallel Gro up 7-9	[==>]	[3]
	10	(4) NGC4911-PA26 6	ACS/WFC, ACCUM, WFC1-FIX	F606W	CR-SPLIT=2; GAIN=2	POS TARG 0.09,-0. 08; NEW OBSET FULL ACQ; GSPAIR N59N0002 12F1000000000F0; GS ACQ SCENARI O SINGLE	Prime + Parallel Gro up 10-12	2400.0 Secs [==>1251.0 Secs (Split 1)] [==>1251.0 Secs (Split 2)]	[4]
	11	ANY	WFPC2, IMAGE, WFALL	F450W	CLOCKS=YES; CR-SPLIT=DEF		Prime + Parallel Gro up 10-12	2400.0 Secs [==>1300.0 Secs (Split 1)] [==>1200.0 Secs (Split 2)]	[4]
	12	ANY	NIC3, MULTIACCUM, NIC3-FIX	F110W	SAMP-SEQ=SPARS 128; OFFSET=SAM; NSAMP=23		Prime + Parallel Gro up 10-12	[==>]	[4]
	13	(4) NGC4911-PA26 6	ACS/WFC, ACCUM, WFC1-FIX	F606W	CR-SPLIT=2; GAIN=2	POS TARG 0.155,0. 115; NEW OBSET FULL ACQ; GSPAIR N59N0002 12F1000000000F0; GS ACQ SCENARI O SINGLE	Prime + Parallel Gro up 13-15	2400.0 Secs [==>1251.0 Secs (Split 1)] [==>1251.0 Secs (Split 2)]	[5]
	14	ANY	WFPC2, IMAGE, WFALL	F450W	CLOCKS=YES; CR-SPLIT=DEF		Prime + Parallel Gro up 13-15	2400.0 Secs [==>1300.0 Secs (Split 1)] [==>1200.0 Secs (Split 2)]	[5]

Proposal 10842 - Visit CV - A Cepheid Distance to the Coma Cluster

Exposures (continued)	#	Label	Target	Config, Mode, Aperture	Spectral Els.	Opt. Params.	Special Reqs.	Groups	Exp. Time/[Actual Dur.]	Orbit
	15	ANY	NIC3, MULTIACCUM, NIC3-FIX	F110W	SAMP-SEQ=SPARS 128; OFFSET=SAM; NSAMP=23	Prime + Parallel Gro up 13-15	[==>]	[5]		

