



10845 - HUNTING FOR OPTICAL COMPANIONS TO BINARY MILLISECOND PULSARS IN TERZAN 5 AND NGC6266

Cycle: 15, Proposal Category: GO

(Availability Mode: SUPPORTED)

INVESTIGATORS

<i>Name</i>	<i>Institution</i>	<i>E-Mail</i>
Prof. Francesco R. Ferraro (PI) (ESA Member)	Universita di Bologna	francesco.ferraro3@unibo.it
Dr. Scott M. Ransom (CoI) (AdminUSPI)	Associated Universities, Inc.	sransom@nrao.edu
Prof. Nichi D'Amico (CoI) (ESA Member)	INAF, Osservatorio Astronomico di Cagliari	damico@ca.astro.it
Dr. Andrea Possenti (CoI) (ESA Member)	INAF, Osservatorio Astronomico di Cagliari	Possenti@ca.astro.it
Dr. Livia Origlia (CoI) (ESA Member)	INAF, Osservatorio Astronomico di Bologna	livia.origlia@bo.astro.it
Dr. Elena Valenti (CoI) (ESA Member)	Universita di Bologna	elena.valenti3@unibo.it
Dr. Gabriele Cocozza (CoI) (ESA Member)	Universita di Bologna	gabrielecocozza@virgilio.it
Prof. Robert T. Rood (CoI)	The University of Virginia	rtr@virginia.edu
Dr. Marta Burgay (CoI) (ESA Member)	INAF, Osservatorio Astronomico di Cagliari	burgay@ca.astro.it
Dr. Giacomo Beccari (CoI) (ESA Member)	INAF, Osservatorio Astronomico di Bologna	giacomo.beccari@bo.astro.it
Dr. Barbara Lanzoni (CoI) (ESA Member)	INAF, Osservatorio Astronomico di Bologna	barbara.lanzoni@bo.astro.it

VISITS

<i>Visit</i>	<i>Targets used in Visit</i>	<i>Configurations used in Visit</i>	<i>Orbits Used</i>	<i>Last Orbit Planner Run</i>	<i>OP Current with Visit?</i>
01	(1) TERZAN5-NIC ANY	NIC1 NIC2 WFPC2	2	21-May-2007 19:05:43.0	yes

<i>Visit</i>	<i>Targets used in Visit</i>	<i>Configurations used in Visit</i>	<i>Orbits Used</i>	<i>Last Orbit Planner Run</i>	<i>OP Current with Visit?</i>
02	(1) TERZAN5-NIC ANY	NIC1 NIC2 WFPC2	2	21-May-2007 19:05:53.0	yes
03	(3) TERZAN5-WF ANY	NIC3 WFPC2	2	21-May-2007 19:06:01.0	yes
04	(3) TERZAN5-WF ANY	NIC3 WFPC2	2	21-May-2007 19:06:14.0	yes
05	(3) TERZAN5-WF ANY	NIC3 WFPC2	2	21-May-2007 19:06:20.0	yes
06	(2) NGC6266 ANY	NIC3 WFPC2	2	21-May-2007 19:06:25.0	yes
07	(2) NGC6266 ANY	NIC3 WFPC2	2	21-May-2007 19:06:30.0	yes
08	(2) NGC6266 ANY	NIC3 WFPC2	2	21-May-2007 19:06:35.0	yes
56	(2) NGC6266 ANY	NIC3 WFPC2	2	21-May-2007 19:06:41.0	yes

18 Total Orbits Used

ABSTRACT

We propose deep WFPC2 and NICMOS observations to search for optical companions to binary millisecond pulsar (MSPs) in two Globular Clusters (GCs): Terzan 5 and NGC6266. Terzan 5 has the largest MSP population of any GC: 33 MSP (17 in binary systems) have been discovered up to now in this stellar system. NGC6266 ranks fifth among the GC for wealth of MSPs but it is the only one in which all the (six) detected MSPs are in binary systems.

Only 5 optical counterparts to binary MSP companions are known in GCs (two of them have been discovered by our group): hence even the addition of a few new identifications are crucial to investigate the variety of processes occurring in binary MSPs in dense environment. The observations proposed here would easily double/triple the existing sample of known MSP companions, allowing the first meaningful study of the phenomena which drive the formation and evolution of these exotic systems.

Moreover, since most of binary MSP in GC are formed via stellar interactions in the high density regions of the cluster, the determination of the nature of the companion and the incidence of this collisionally induced population have a significant impact on our knowledge of the cluster dynamics.

Even more interesting, the study of the optical companions to NSs in a GC allows to derive tighter constraints (than those obtainable for NS binaries in the galactic field) on the properties (mass, orbital inclination and so on) of the companion star. This has, in turn, an intrinsic importance for fundamental physics since it offers the opportunity of measuring the mass of the NS and hence to put constraints to the equation of state of matter at nuclear equilibrium density.

OBSERVING DESCRIPTION

We propose to perform deep broad-band photometry to investigate the MSP companion in two clusters:

(1) TERZAN 5 :

(a) NICMOS observations of the cluster core (with NIC2) are planned in two filters (F110W and F160W). These observations are organized in two visits (VISIT1 and VISIT2) each visit will last two orbits (one orbit per filter). We request VISIT2 be executed at least after 5 orbits from VISIT1 to check for object variability. Parallel observations with NIC1/WFPC2 are also planned.

(b) WFPC2 observations of the cluster are planned in two filters (F606W and F814W). These observations are organized in 3 visits (VISIT3-VISIT5), two orbits per visit (one orbit per filter). We request VISIT4 be executed at least 5 orbits after VISIT3 and VISIT5 at least 5 orbits after VISIT4, in order to check for variability. Parallel observations with NIC3 are also planned.

(2) NGC6266:

WFPC2 observations of the cluster are planned in two filters (F656N and F439W). The observations are organized in 3 visits (VISIT6-VISIT8), the

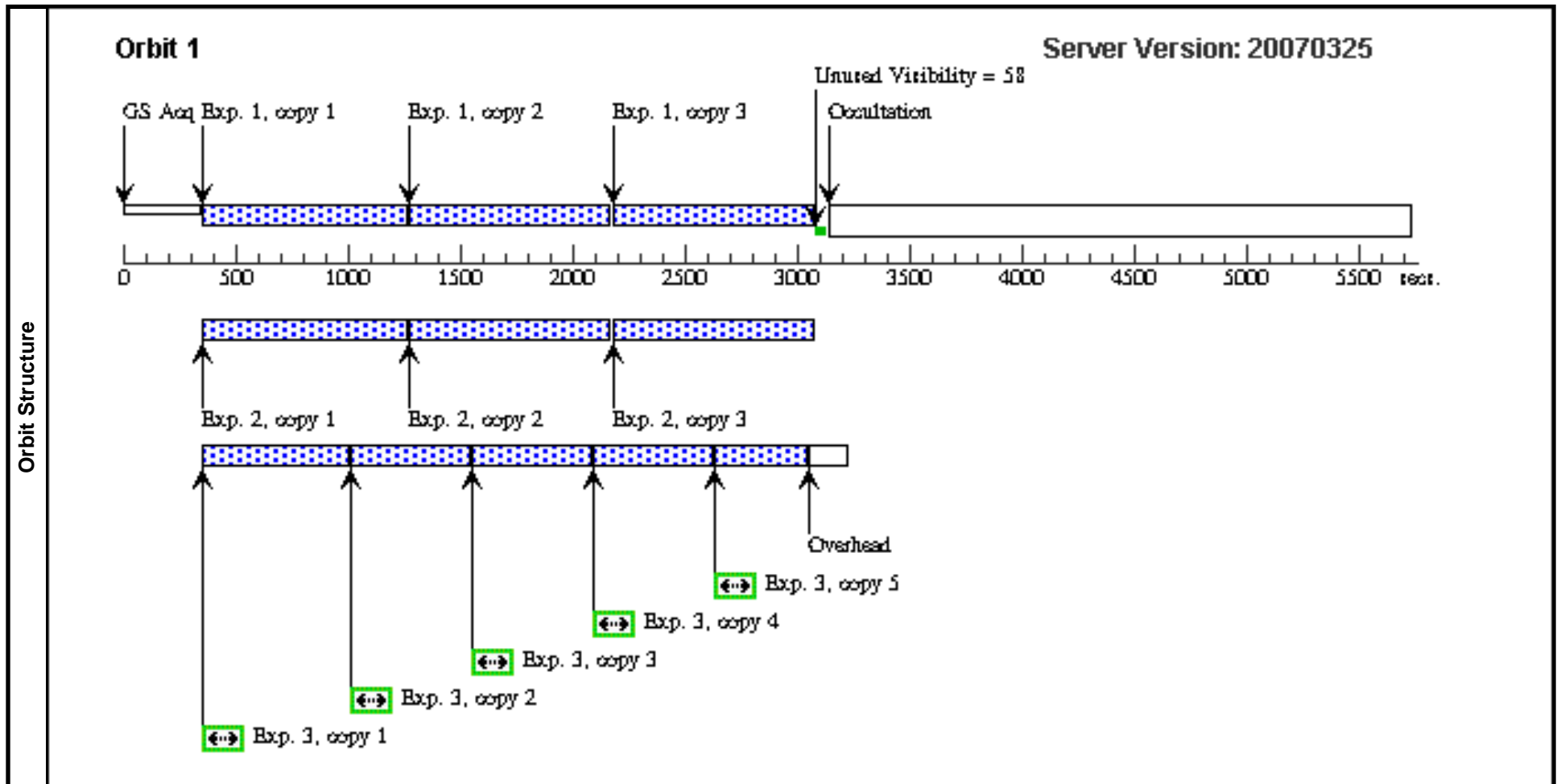
first two visits (VISIT6 and VISIT7) have been entirely devoted to obtain long exposures (1200 sec) in the H_{alpha} filter. In VISIT8 one orbit per filter is planned. We request VISIT7 be executed at least 5 orbits after VISIT6 and VISIT8 at least 5 orbits after VISIT7, in order to check for variability. Parallel observations with NIC3 are also planned.

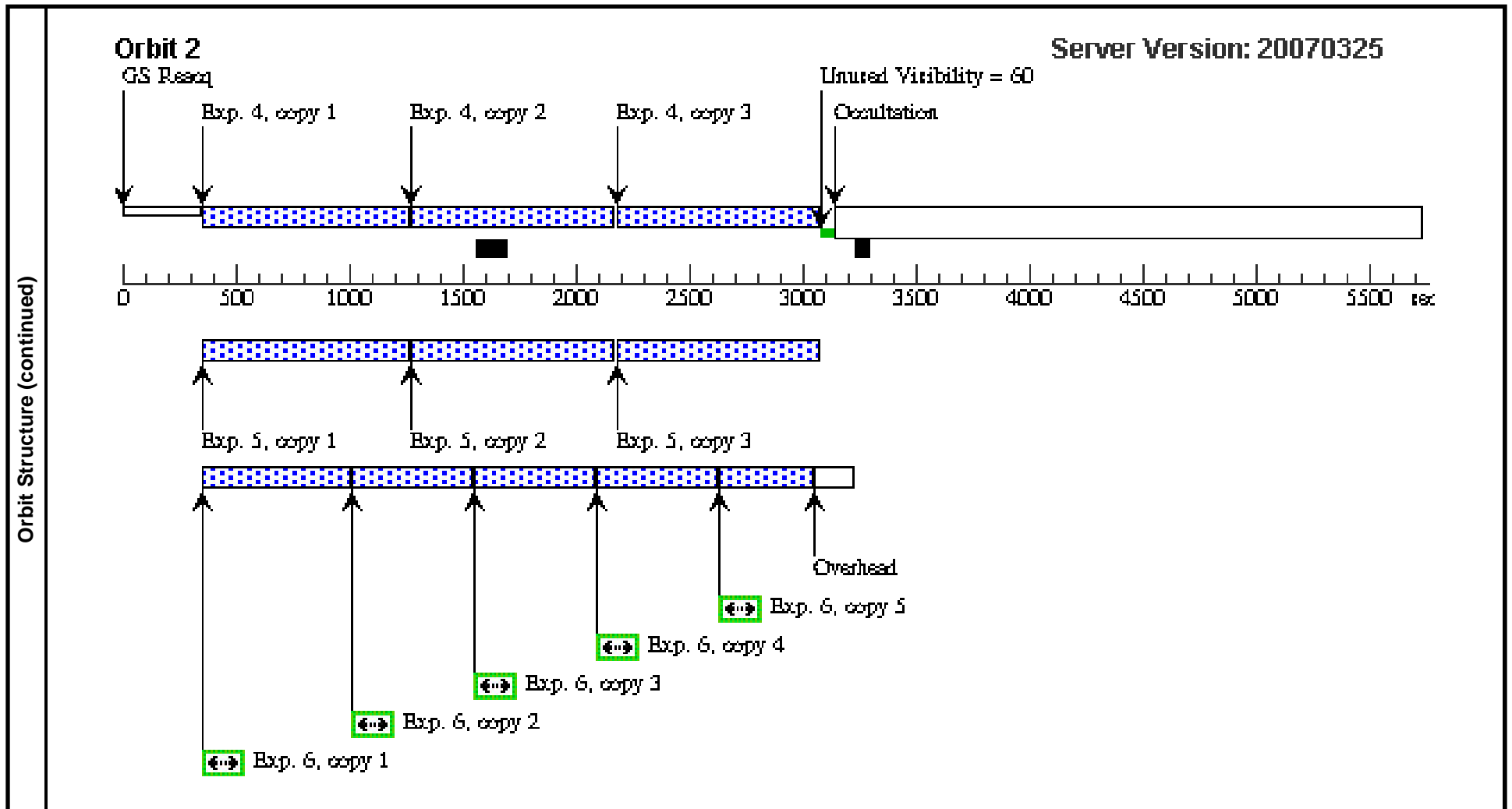
Proposal 10845 - Visit 01 - HUNTING FOR OPTICAL COMPANIONS TO BINARY MILLISECOND PULSARS IN TERZAN 5 AND NGC6266

Visit		Proposal 10845, Visit 01, scheduling Diagnostic Status: No Diagnostics Scientific Instruments: NIC2, WFPC2, NIC1 Special Requirements: (none)					Mon May 21 18:06:44 GMT 2007				
Fixed Targets		#	Name	Target Coordinates	Targ. Coord. Corrections	Fluxes	Miscellaneous				
		(1)	TERZAN5-NIC	RA: 17 48 5.1890 (267.0216208d) Dec: -24 46 39.00 (-24.77750d) Equinox: J2000		V=25.0+/-0.5	Reference Frame: ICRS				
		<i>Comments: This is 4" N and 6" E with respect to the cluster center</i>									
Exposures		#	Label	Target	Config,Mode,Aperture	Spectral Els.	Opt. Params.	Special Reqs.	Groups	Exp. Time/[Actual Dur.]	Orbit
		1	ter5-nic2F11_0_1	(1) TERZAN5-NIC	NIC2, MULTIACCUM, NIC2	F110W	CAMERA-FOCUS=1-2; SAMP-SEQ=SPARS 128; NSAMP=9	GS ACQ SCENARI O BASE1TNS	Prime + Parallel Group 1-3	[==>(Copy 1)] [==>(Copy 2)] [==>(Copy 3)]	[1]
		2	ter5nic1_F1_10_1p	ANY	NIC1, MULTIACCUM, NIC1	F110W	CAMERA-FOCUS=1-2; SAMP-SEQ=SPARS 128; NSAMP=9		Prime + Parallel Group 1-3	[==>(Copy 1)] [==>(Copy 2)] [==>(Copy 3)]	[1]
		3	ter5wfpc2-F_606_1p	ANY	WFPC2, IMAGE, WF2	F606W	CR-SPLIT=DEF		Prime + Parallel Group 1-3	400.0 Secs X 5 [==>(Copy 1)] [==>(Copy 2)] [==>(Copy 3)] [==>(Copy 4)] [==>(Copy 5)]	[1]
		4	ter5-nic2F16_0_1	(1) TERZAN5-NIC	NIC2, MULTIACCUM, NIC2	F160W	CAMERA-FOCUS=1-2; SAMP-SEQ=SPARS 128; NSAMP=9		Prime + Parallel Group 4-6	[==>(Copy 1)] [==>(Copy 2)] [==>(Copy 3)]	[2]
		5	ter5nic1_F1_60_1p	ANY	NIC1, MULTIACCUM, NIC1	F160W	CAMERA-FOCUS=1-2; NSAMP=9; SAMP-SEQ=SPARS 128		Prime + Parallel Group 4-6	[==>(Copy 1)] [==>(Copy 2)] [==>(Copy 3)]	[2]

Proposal 10845 - Visit 01 - HUNTING FOR OPTICAL COMPANIONS TO BINARY MILLISECOND PULSARS IN TERZAN 5 AND NGC6266

Exposures (continued)	#	Label	Target	Config,Mode,Aperture	Spectral Els.	Opt. Params.	Special Reqs.	Groups	Exp. Time/[Actual Dur.]	Orbit
	6	ter5wfp2-F 814_1p	ANY	WFPC2, IMAGE, WF2	F814W	CR-SPLIT=DEF		Prime + Parallel Group 4-6	400.0 Secs X 5 [==>(Copy 1)] [==>(Copy 2)] [==>(Copy 3)] [==>(Copy 4)] [==>(Copy 5)]	[2]



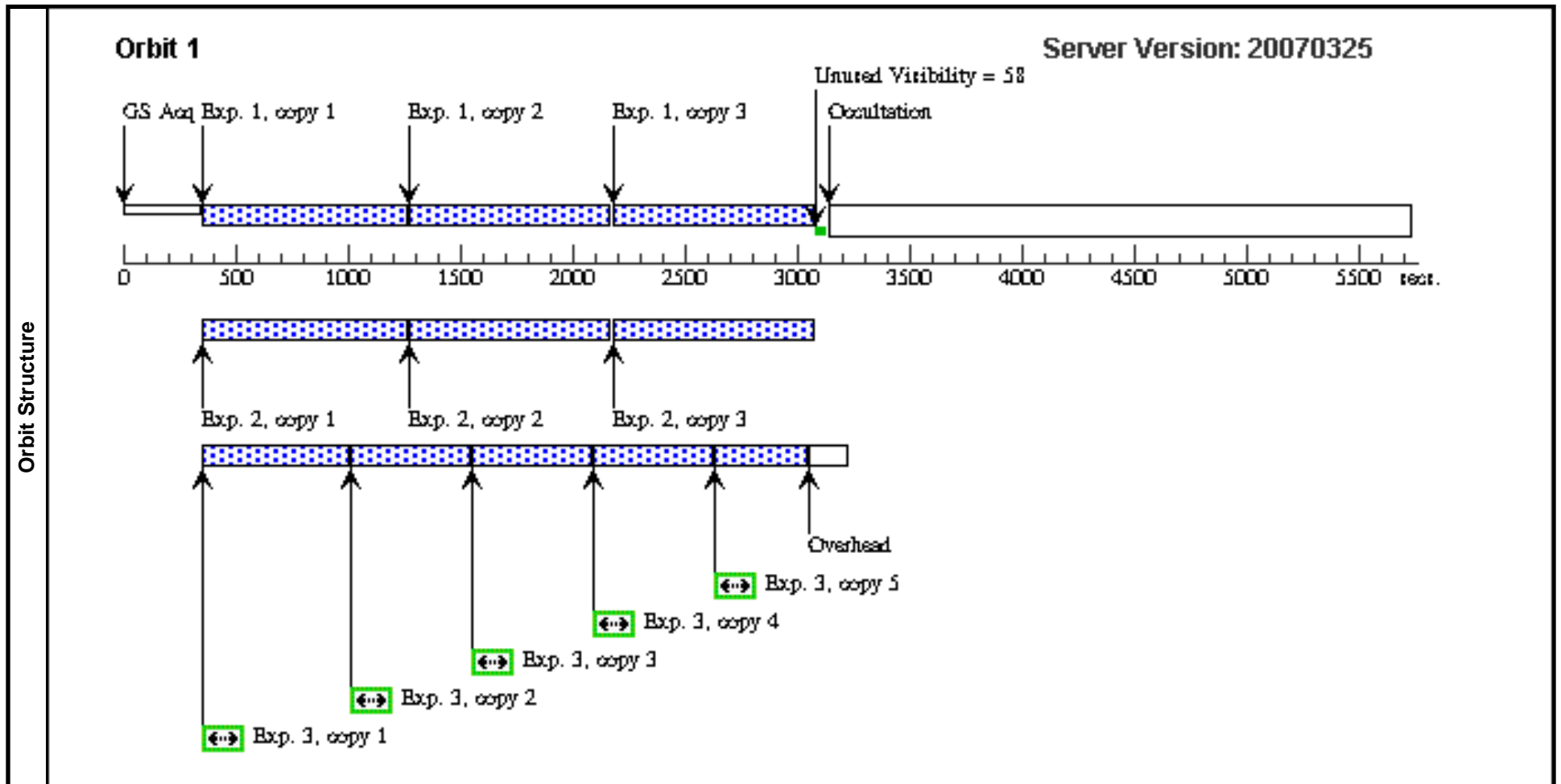


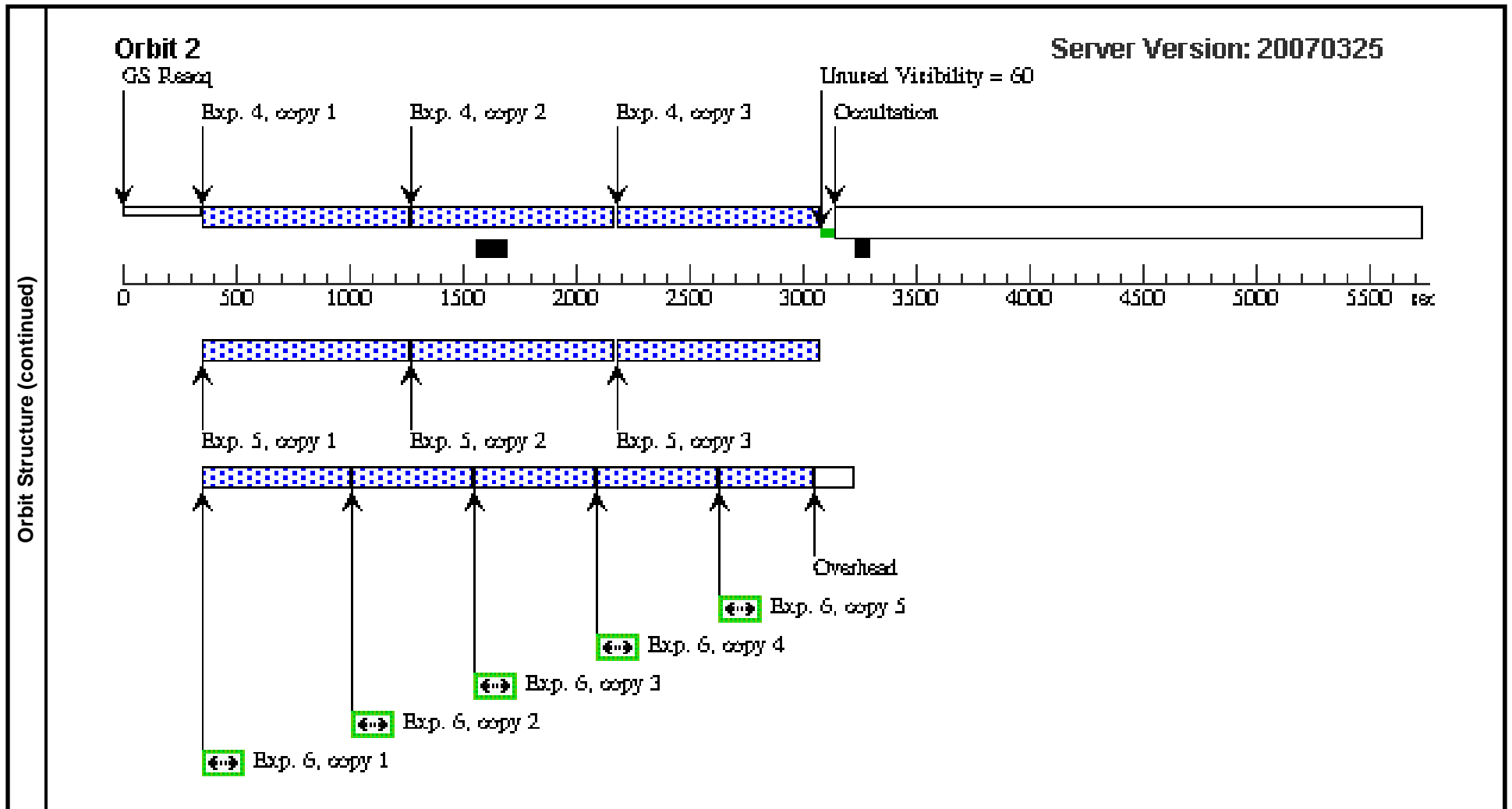
Proposal 10845 - Visit 02 - HUNTING FOR OPTICAL COMPANIONS TO BINARY MILLISECOND PULSARS IN TERZAN 5 AND NGC6266

Visit		Proposal 10845, Visit 02, scheduling Diagnostic Status: No Diagnostics Scientific Instruments: NIC2, WFPC2, NIC1 Special Requirements: AFTER 01 BY 5 Orbits TO 900 Orbits					Mon May 21 18:06:45 GMT 2007				
Fixed Targets		#	Name	Target Coordinates	Targ. Coord. Corrections	Fluxes	Miscellaneous				
		(1)	TERZAN5-NIC	RA: 17 48 5.1890 (267.0216208d) Dec: -24 46 39.00 (-24.77750d) Equinox: J2000		V=25.0+/-0.5	Reference Frame: ICRS				
		<i>Comments: This is 4" N and 6" E with respect to the cluster center</i>									
Exposures		#	Label	Target	Config,Mode,Aperture	Spectral Els.	Opt. Params.	Special Reqs.	Groups	Exp. Time/[Actual Dur.]	Orbit
		1	ter5-nic2F11_0_2	(1) TERZAN5-NIC	NIC2, MULTIACCUM, NIC2	F110W	CAMERA-FOCUS=1-2; SAMP-SEQ=SPARS 128; NSAMP=9	GS ACQ SCENARI O BASE1TNS	Prime + Parallel Group 1-3	[==>(Copy 1)] [==>(Copy 2)] [==>(Copy 3)]	[1]
		2	ter5nic1_F1_10_2p	ANY	NIC1, MULTIACCUM, NIC1	F110W	CAMERA-FOCUS=1-2; NSAMP=9; SAMP-SEQ=SPARS 128		Prime + Parallel Group 1-3	[==>(Copy 1)] [==>(Copy 2)] [==>(Copy 3)]	[1]
		3	ter5wfpc2-F_606_2p	ANY	WFPC2, IMAGE, WF2	F606W	CR-SPLIT=DEF		Prime + Parallel Group 1-3	400.0 Secs X 5 [==>(Copy 1)] [==>(Copy 2)] [==>(Copy 3)] [==>(Copy 4)] [==>(Copy 5)]	[1]
		4	ter5-nic2F16_0_2	(1) TERZAN5-NIC	NIC2, MULTIACCUM, NIC2	F160W	CAMERA-FOCUS=1-2; SAMP-SEQ=SPARS 128; NSAMP=9		Prime + Parallel Group 4-6	[==>(Copy 1)] [==>(Copy 2)] [==>(Copy 3)]	[2]
		5	ter5nic1_F1_60_2p	ANY	NIC1, MULTIACCUM, NIC1	F160W	CAMERA-FOCUS=1-2; NSAMP=9; SAMP-SEQ=SPARS 128		Prime + Parallel Group 4-6	[==>(Copy 1)] [==>(Copy 2)] [==>(Copy 3)]	[2]

Proposal 10845 - Visit 02 - HUNTING FOR OPTICAL COMPANIONS TO BINARY MILLISECOND PULSARS IN TERZAN 5 AND NGC6266

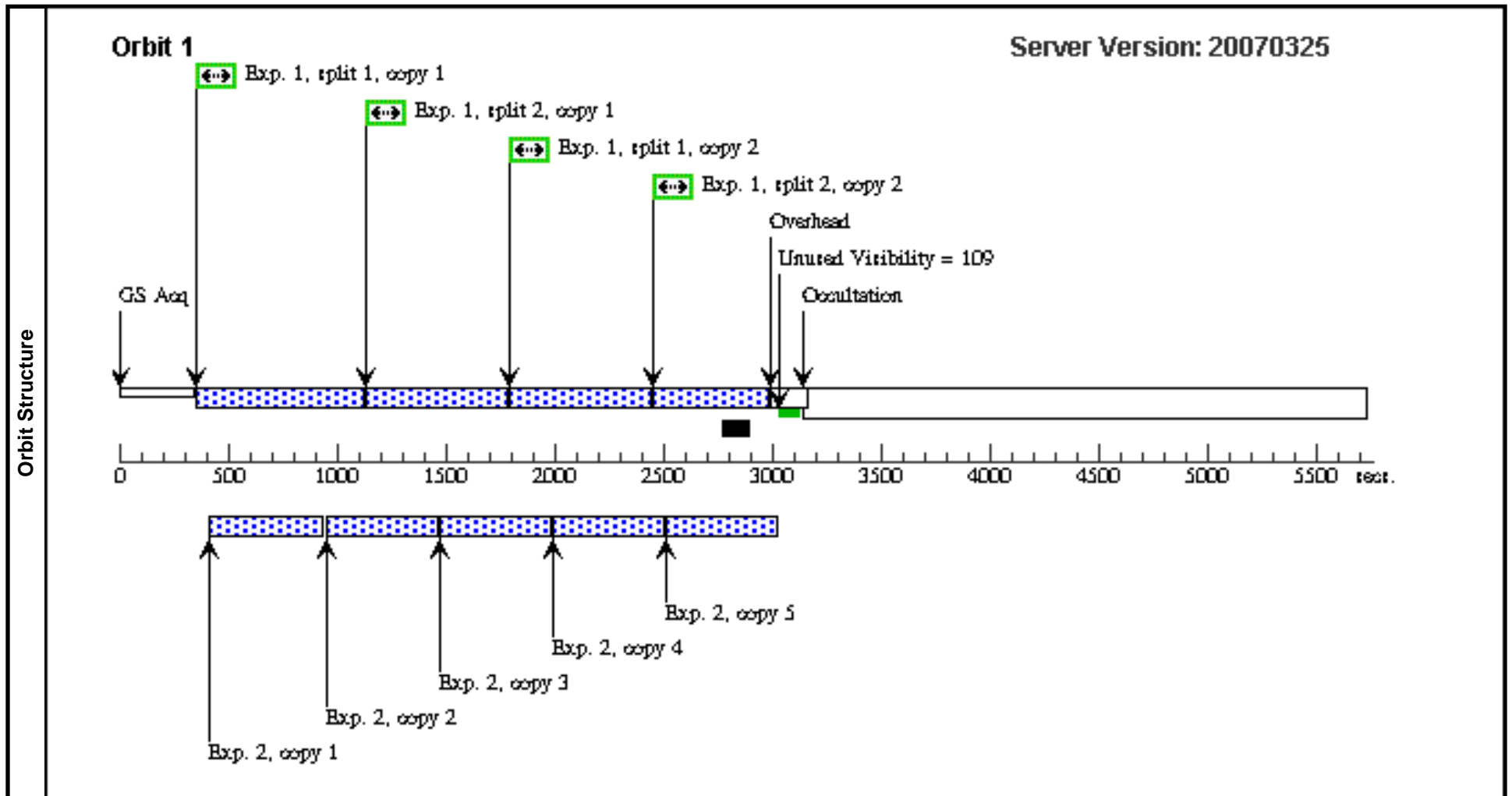
Exposures (continued)	#	Label	Target	Config,Mode,Aperture	Spectral Els.	Opt. Params.	Special Reqs.	Groups	Exp. Time/[Actual Dur.]	Orbit
	6	ter5wfp2-F 814_2p	ANY	WFPC2, IMAGE, WF2	F814W	CR-SPLIT=DEF		Prime + Parallel Group 4-6	400.0 Secs X 5 [==>(Copy 1)] [==>(Copy 2)] [==>(Copy 3)] [==>(Copy 4)] [==>(Copy 5)]	[2]

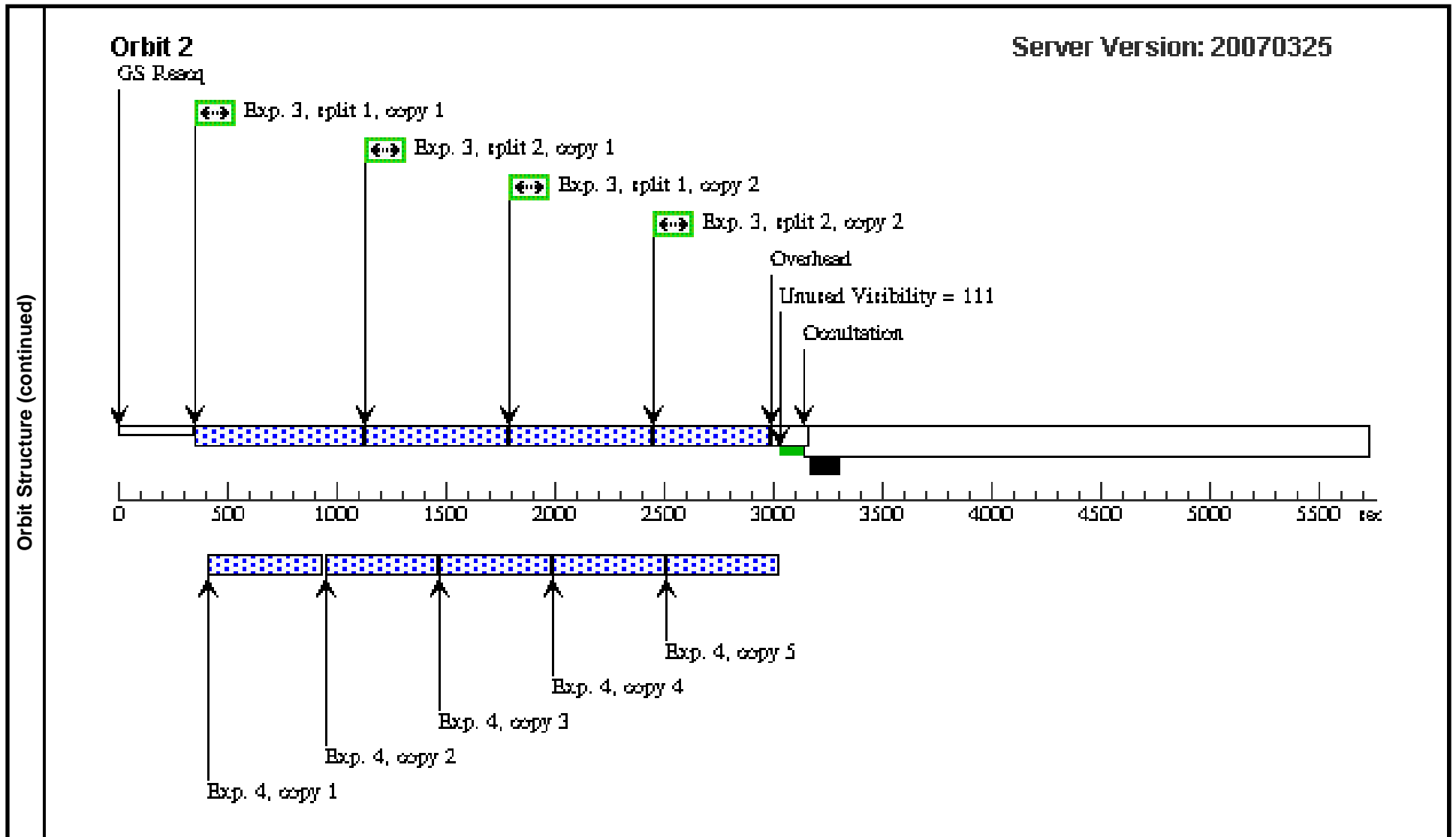




Proposal 10845 - Visit 03 - HUNTING FOR OPTICAL COMPANIONS TO BINARY MILLISECOND PULSARS IN TERZAN 5 AND NGC6266

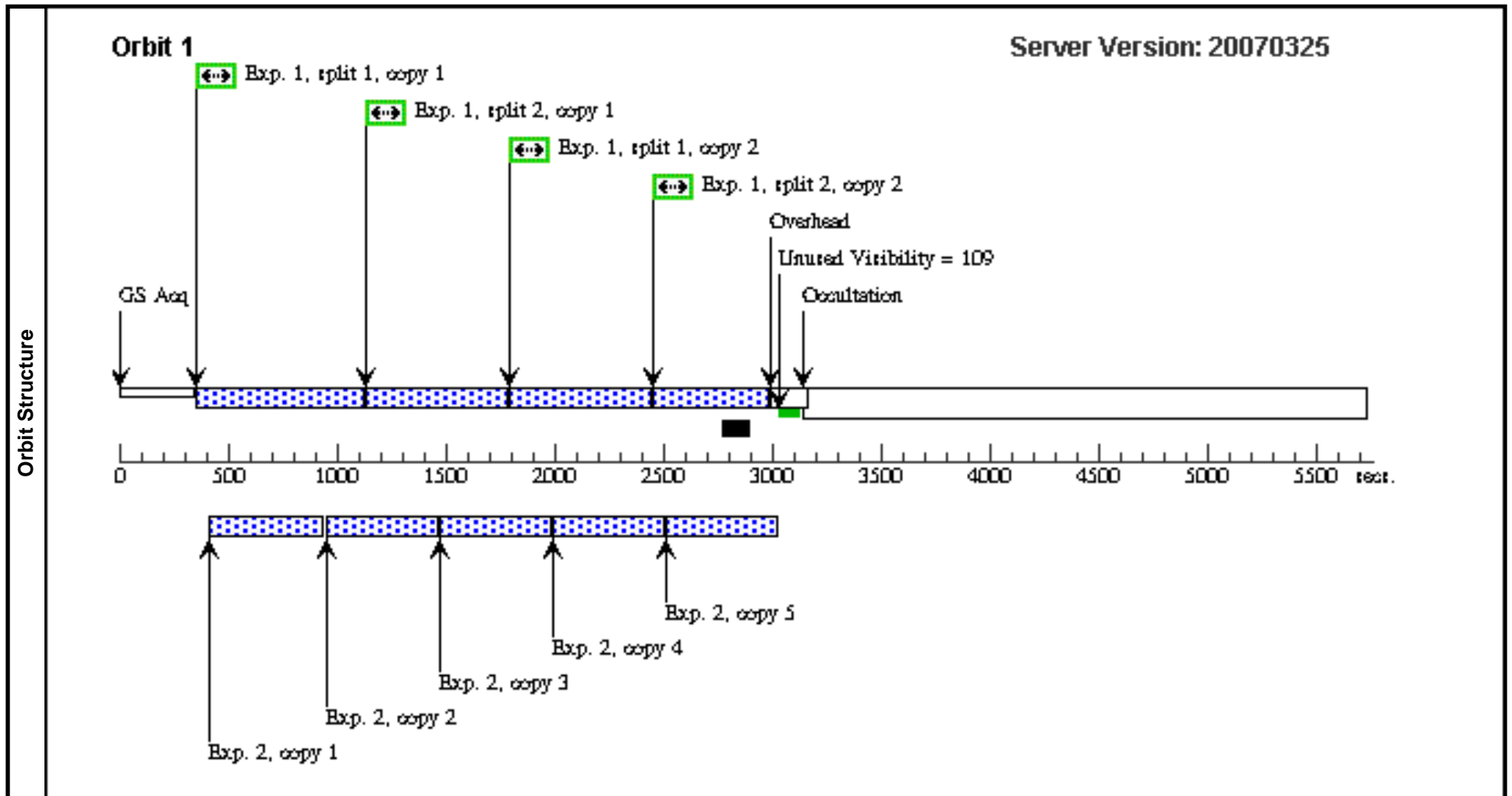
Visit		Proposal 10845, Visit 03, scheduling Diagnostic Status: No Diagnostics Scientific Instruments: WFPC2, NIC3 Special Requirements: (none)					Mon May 21 18:06:46 GMT 2007				
Fixed Targets		#	Name	Target Coordinates	Targ. Coord. Corrections	Fluxes	Miscellaneous				
		(3)	TERZAN5-WF	RA: 17 48 4.3100 (267.0179583d) Dec: -24 46 48.00 (-24.78000d) Equinox: J2000		V=25.0	Reference Frame: ICRS				
		<i>Comments: This is 8" W and 3"S with respect to the cluster center</i>									
Exposures		#	Label	Target	Config,Mode,Aperture	Spectral Els.	Opt. Params.	Special Reqs.	Groups	Exp. Time/[Actual Dur.]	Orbit
		1	Ter5F606_1	(3) TERZAN5-WF	WFPC2, IMAGE, PC1	F606W			Prime + Parallel Group 1-2	1000.0 Secs X 2 [==>(Copy 1, Split 1)] [==>(Copy 1, Split 2)] [==>(Copy 2, Split 1)] [==>(Copy 2, Split 2)]	[1]
		2	ter5nic3F11_0_1p	ANY	NIC3, MULTIACCUM, NIC3	F110W	SAMP-SEQ=STEP6 4; NSAMP=16		Prime + Parallel Group 1-2	[==>(Copy 1)] [==>(Copy 2)] [==>(Copy 3)] [==>(Copy 4)] [==>(Copy 5)]	[1]
		3	Ter5F814_1	(3) TERZAN5-WF	WFPC2, IMAGE, PC1	F814W			Prime + Parallel Group 3-4	1000.0 Secs X 2 [==>(Copy 1, Split 1)] [==>(Copy 1, Split 2)] [==>(Copy 2, Split 1)] [==>(Copy 2, Split 2)]	[2]
		4	ter5nic3F16_0_1p	ANY	NIC3, MULTIACCUM, NIC3	F160W	SAMP-SEQ=STEP6 4; NSAMP=16		Prime + Parallel Group 3-4	[==>(Copy 1)] [==>(Copy 2)] [==>(Copy 3)] [==>(Copy 4)] [==>(Copy 5)]	[2]

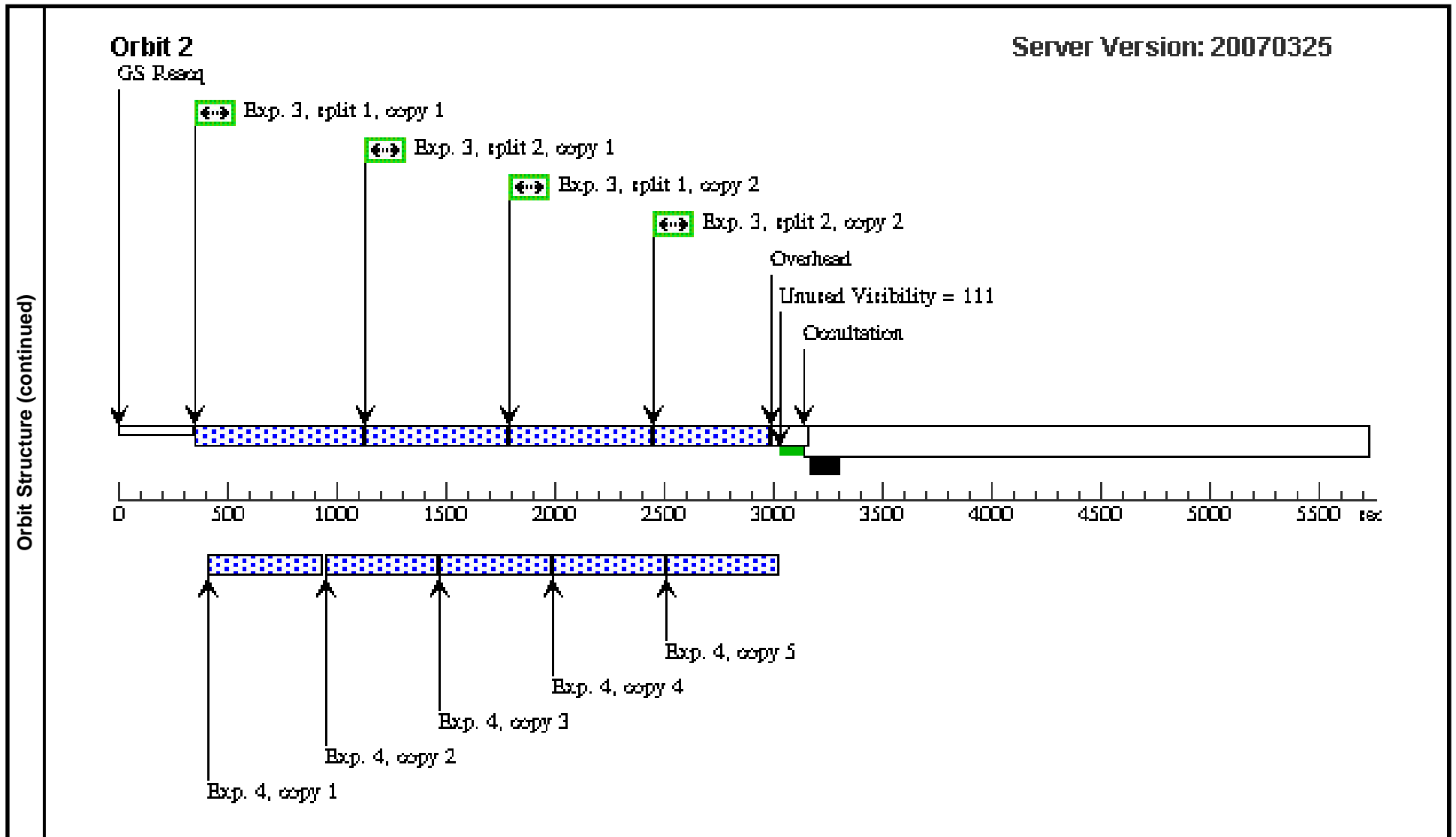




Proposal 10845 - Visit 04 - HUNTING FOR OPTICAL COMPANIONS TO BINARY MILLISECOND PULSARS IN TERZAN 5 AND NGC6266

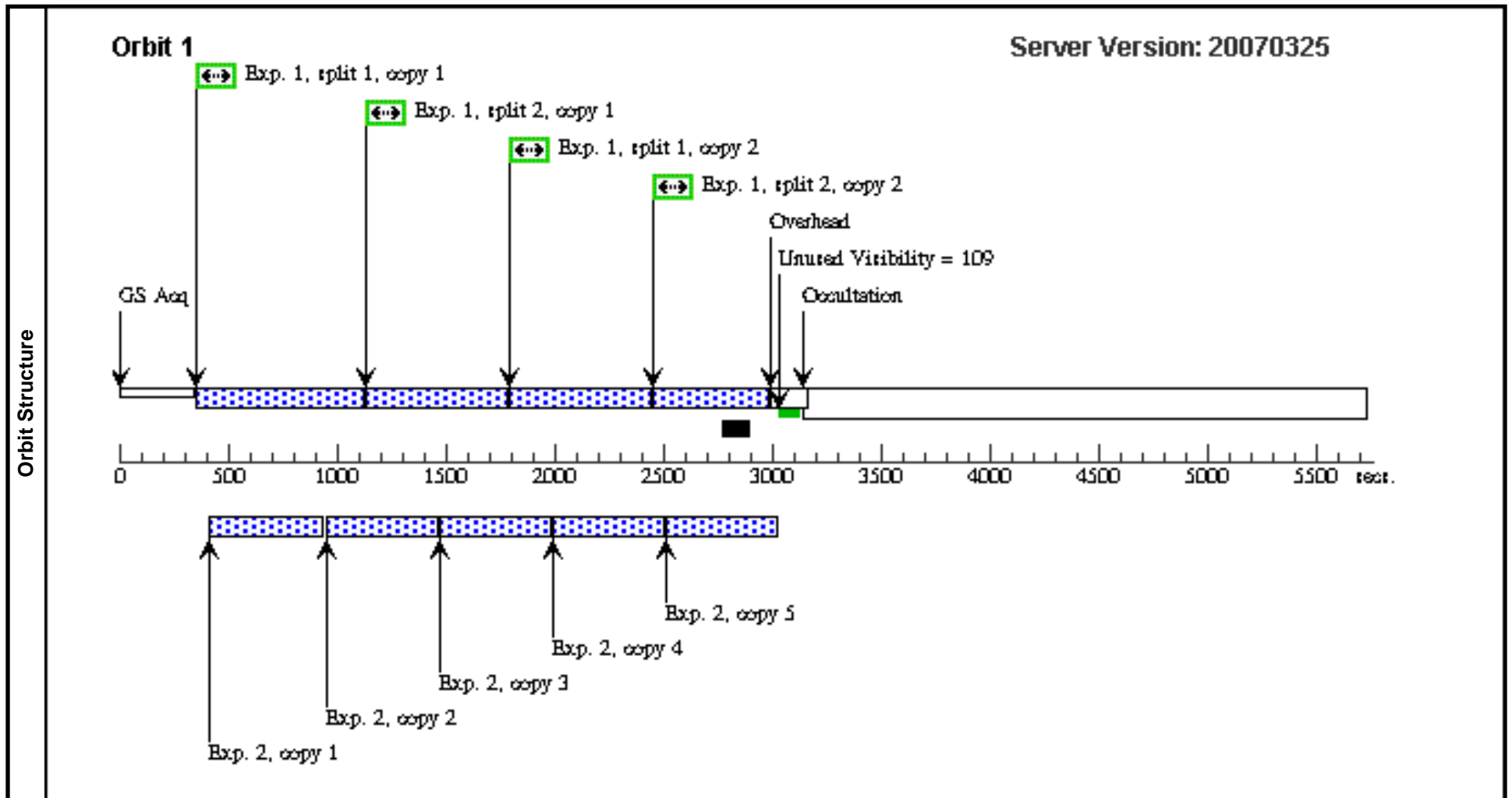
Visit	Proposal 10845, Visit 04, scheduling Mon May 21 18:06:47 GMT 2007 Diagnostic Status: No Diagnostics Scientific Instruments: WFPC2, NIC3 Special Requirements: AFTER 03 BY 5 Orbits TO 900 Orbits									
Fixed Targets	#	Name	Target Coordinates	Targ. Coord. Corrections	Fluxes	Miscellaneous				
	(3)	TERZAN5-WF	RA: 17 48 4.3100 (267.0179583d) Dec: -24 46 48.00 (-24.78000d) Equinox: J2000		V=25.0	Reference Frame: ICRS				
	<i>Comments: This is 8" W and 3"S with respect to the cluster center</i>									
Exposures	#	Label	Target	Config,Mode,Aperture	Spectral Els.	Opt. Params.	Special Reqs.	Groups	Exp. Time/[Actual Dur.]	Orbit
	1	Ter5F606_2	(3) TERZAN5-WF	WFPC2, IMAGE, PC1	F606W			Prime + Parallel Group 1-2	1000.0 Secs X 2 [==>(Copy 1, Split 1)] [==>(Copy 1, Split 2)] [==>(Copy 2, Split 1)] [==>(Copy 2, Split 2)]	[1]
	2	ter5nic3F11_0_2p	ANY	NIC3, MULTIACCUM, NIC3	F110W	SAMP-SEQ=STEP6 4; NSAMP=16		Prime + Parallel Group 1-2	[==>(Copy 1)] [==>(Copy 2)] [==>(Copy 3)] [==>(Copy 4)] [==>(Copy 5)]	[1]
	3	Ter5F814_2	(3) TERZAN5-WF	WFPC2, IMAGE, PC1	F814W			Prime + Parallel Group 3-4	1000.0 Secs X 2 [==>(Copy 1, Split 1)] [==>(Copy 1, Split 2)] [==>(Copy 2, Split 1)] [==>(Copy 2, Split 2)]	[2]
	4	ter5nic3F16_0_2p	ANY	NIC3, MULTIACCUM, NIC3	F160W	SAMP-SEQ=STEP6 4; NSAMP=16		Prime + Parallel Group 3-4	[==>(Copy 1)] [==>(Copy 2)] [==>(Copy 3)] [==>(Copy 4)] [==>(Copy 5)]	[2]

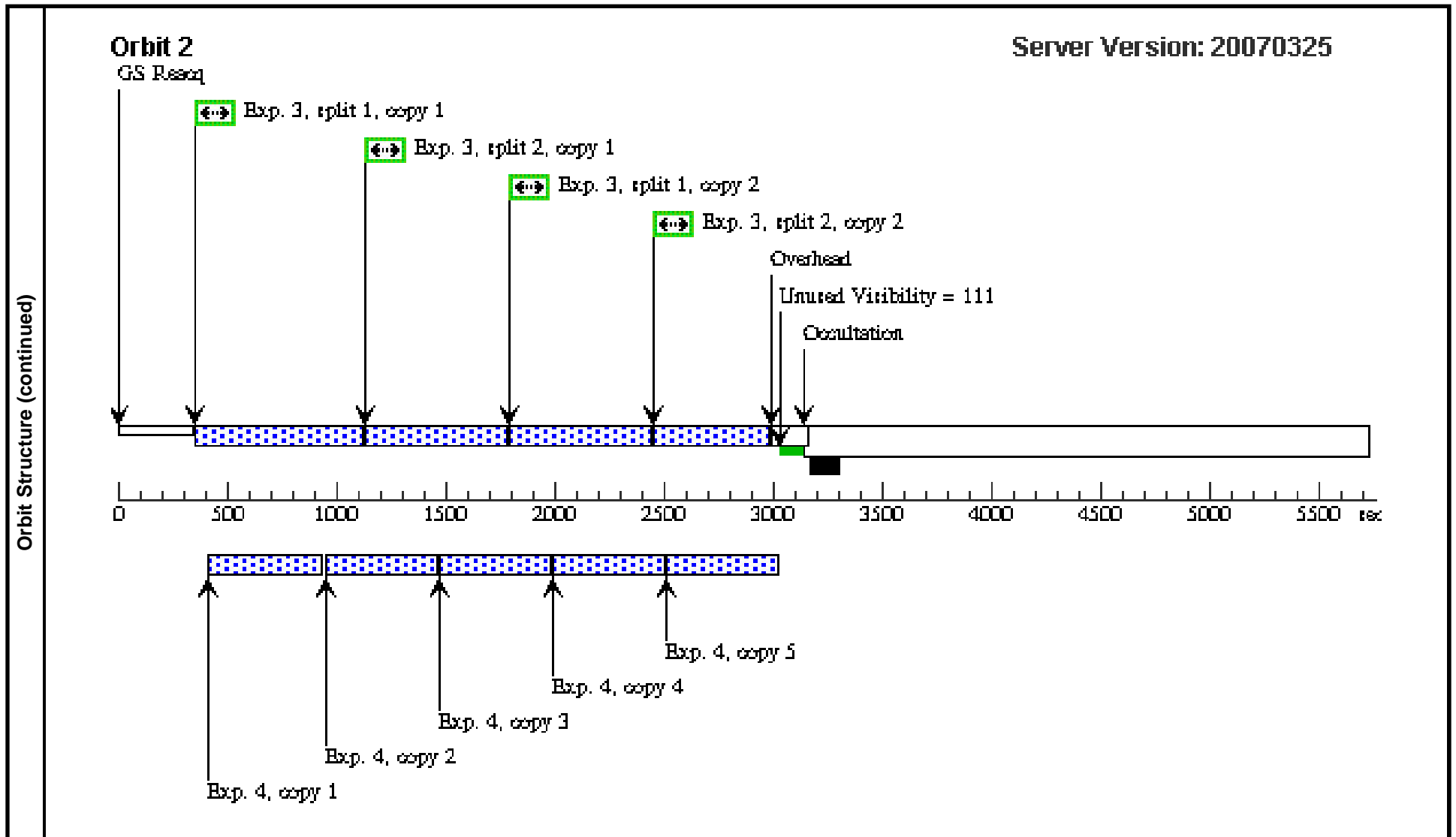




Proposal 10845 - Visit 05 - HUNTING FOR OPTICAL COMPANIONS TO BINARY MILLISECOND PULSARS IN TERZAN 5 AND NGC6266

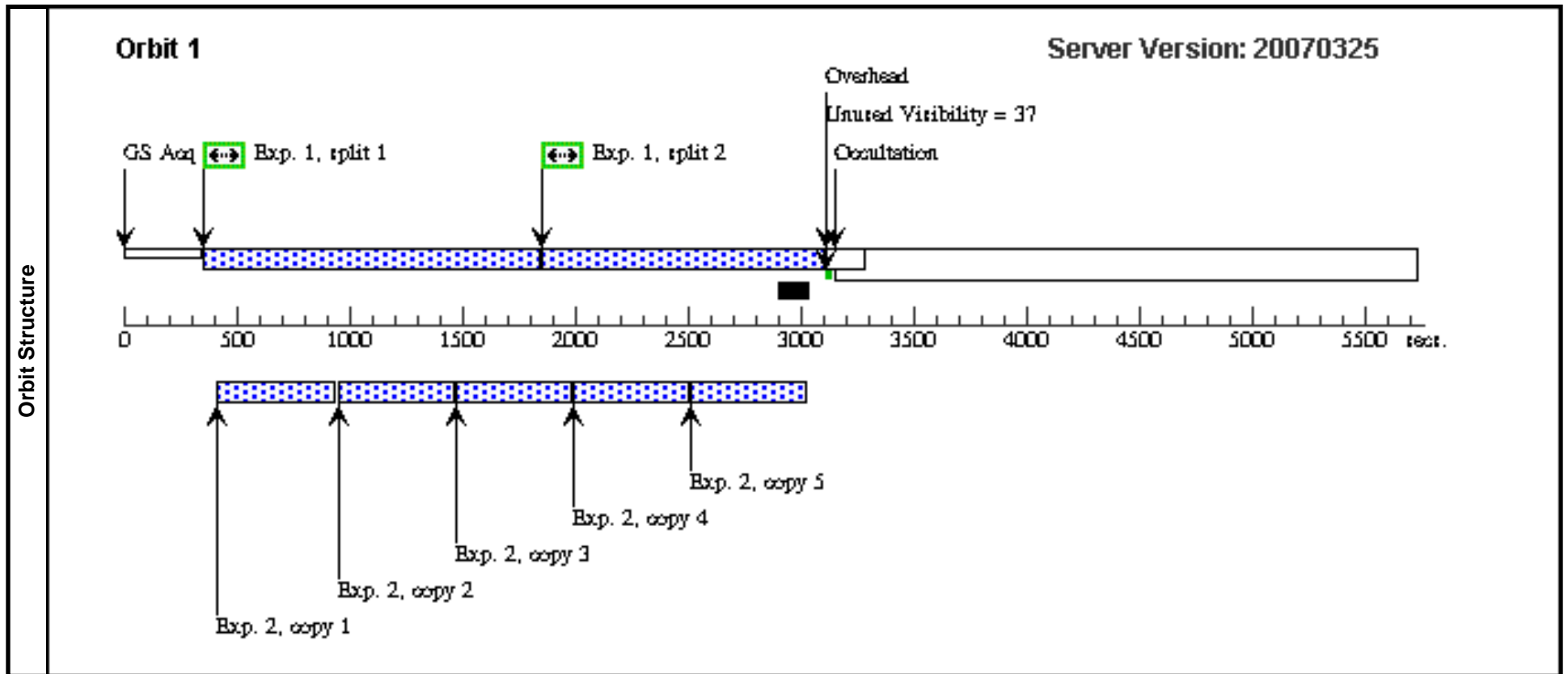
Visit		Proposal 10845, Visit 05, scheduling Diagnostic Status: No Diagnostics Scientific Instruments: WFPC2, NIC3 Special Requirements: AFTER 04 BY 5 Orbits TO 900 Orbits							Mon May 21 18:06:48 GMT 2007		
Fixed Targets		#	Name	Target Coordinates	Targ. Coord. Corrections	Fluxes	Miscellaneous				
		(3)	TERZAN5-WF	RA: 17 48 4.3100 (267.0179583d) Dec: -24 46 48.00 (-24.78000d) Equinox: J2000		V=25.0	Reference Frame: ICRS				
		<i>Comments: This is 8" W and 3"S with respect to the cluster center</i>									
Exposures		#	Label	Target	Config,Mode,Aperture	Spectral Els.	Opt. Params.	Special Reqs.	Groups	Exp. Time/[Actual Dur.]	Orbit
		1	Ter5F606_3	(3) TERZAN5-WF	WFPC2, IMAGE, PC1	F606W			Prime + Parallel Group 1-2	1000.0 Secs X 2 [==>(Copy 1, Split 1)] [==>(Copy 1, Split 2)] [==>(Copy 2, Split 1)] [==>(Copy 2, Split 2)]	[1]
		2	ter5nic3F11_0_3p	ANY	NIC3, MULTIACCUM, NIC3	F110W	SAMP-SEQ=STEP6 4; NSAMP=16		Prime + Parallel Group 1-2	[==>(Copy 1)] [==>(Copy 2)] [==>(Copy 3)] [==>(Copy 4)] [==>(Copy 5)]	[1]
		3	Ter5F814_3	(3) TERZAN5-WF	WFPC2, IMAGE, PC1	F814W			Prime + Parallel Group 3-4	1000.0 Secs X 2 [==>(Copy 1, Split 1)] [==>(Copy 1, Split 2)] [==>(Copy 2, Split 1)] [==>(Copy 2, Split 2)]	[2]
		4	ter5nic3F16_0_3p	ANY	NIC3, MULTIACCUM, NIC3	F160W	SAMP-SEQ=STEP6 4; NSAMP=16		Prime + Parallel Group 3-4	[==>(Copy 1)] [==>(Copy 2)] [==>(Copy 3)] [==>(Copy 4)] [==>(Copy 5)]	[2]

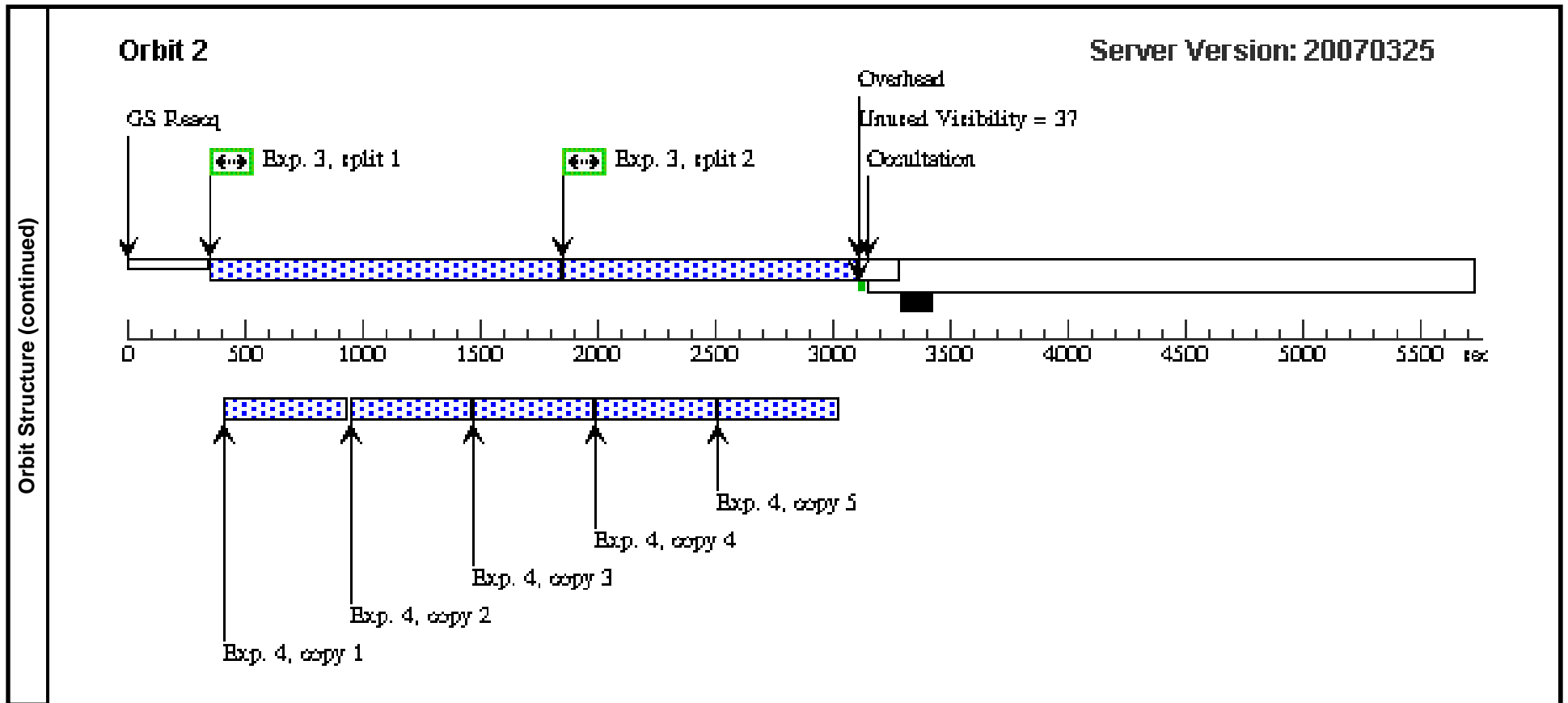




Proposal 10845 - Visit 06 - HUNTING FOR OPTICAL COMPANIONS TO BINARY MILLISECOND PULSARS IN TERZAN 5 AND NGC6266

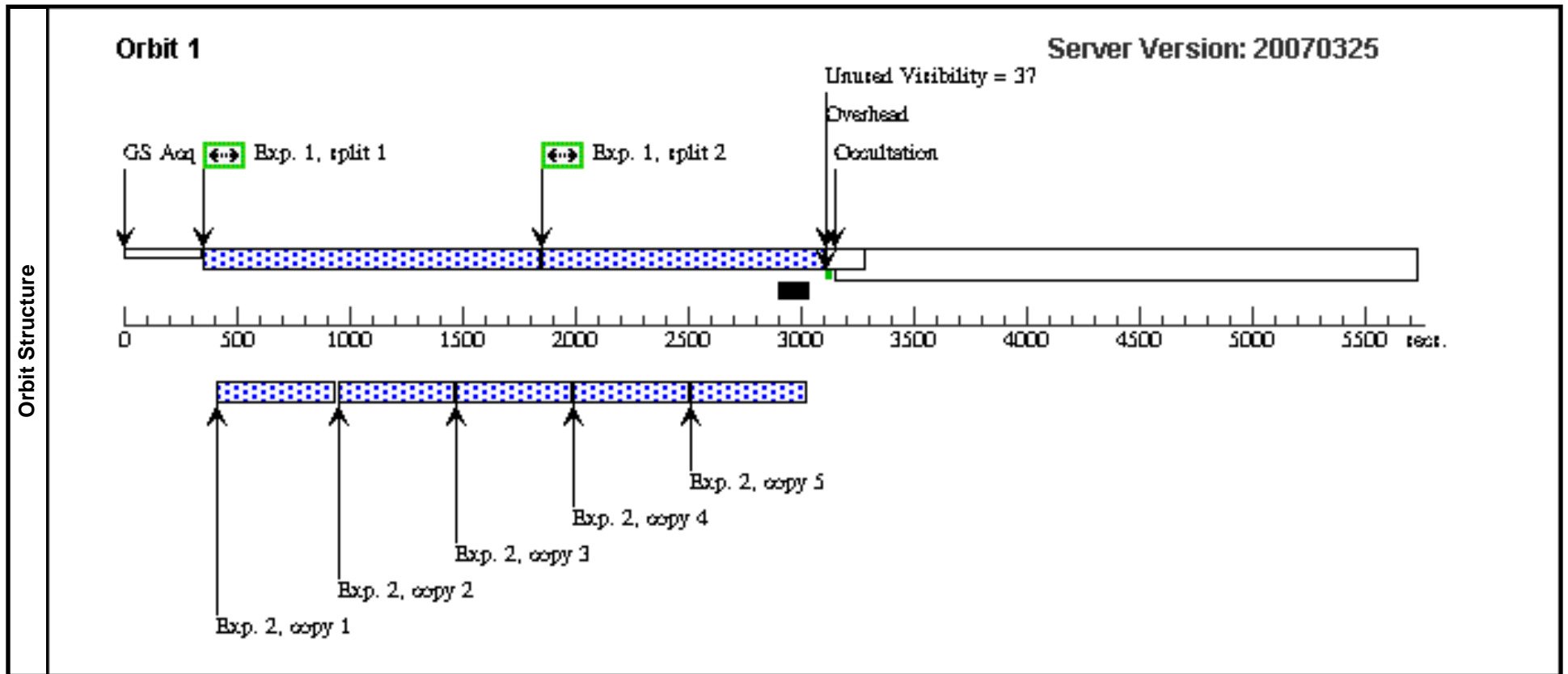
Visit	Proposal 10845, Visit 06, failed Diagnostic Status: No Diagnostics Scientific Instruments: WFPC2, NIC3 Special Requirements: (none)					Mon May 21 18:06:49 GMT 2007				
	Fixed Targets	#	Name	Target Coordinates	Targ. Coord. Corrections	Fluxes	Miscellaneous			
	(2)	NGC6266	RA: 17 01 12.6700 (255.3027917d) Dec: -30 06 49.00 (-30.11361d) Equinox: J2000		V=25.0	Reference Frame: ICRS				
	<i>Comments: centered on PSR-B</i>									
Exposures	#	Label	Target	Config,Mode,Aperture	Spectral Els.	Opt. Params.	Special Reqs.	Groups	Exp. Time/[Actual Dur.]	Orbit
	1	6266-F656N -1	(2) NGC6266	WFPC2, IMAGE, PC1	F656N			Prime + Parallel Group 1-2	2400.0 Secs [==>(Split 1)] [==>(Split 2)]	[1]
	2	6266nic3-F1 60_1p	ANY	NIC3, MULTIACCUM, NIC3	F160W	NSAMP=16; SAMP-SEQ=STEP6 4		Prime + Parallel Group 1-2	[==>(Copy 1)] [==>(Copy 2)] [==>(Copy 3)] [==>(Copy 4)] [==>(Copy 5)]	[1]
	3	6266-F656N _2	(2) NGC6266	WFPC2, IMAGE, PC1	F656N			Prime + Parallel Group 3-4	2400.0 Secs [==>(Split 1)] [==>(Split 2)]	[2]
	4	6266nic3-F1 10_1p	ANY	NIC3, MULTIACCUM, NIC3	F110W	NSAMP=16; SAMP-SEQ=STEP6 4		Prime + Parallel Group 3-4	[==>(Copy 1)] [==>(Copy 2)] [==>(Copy 3)] [==>(Copy 4)] [==>(Copy 5)]	[2]

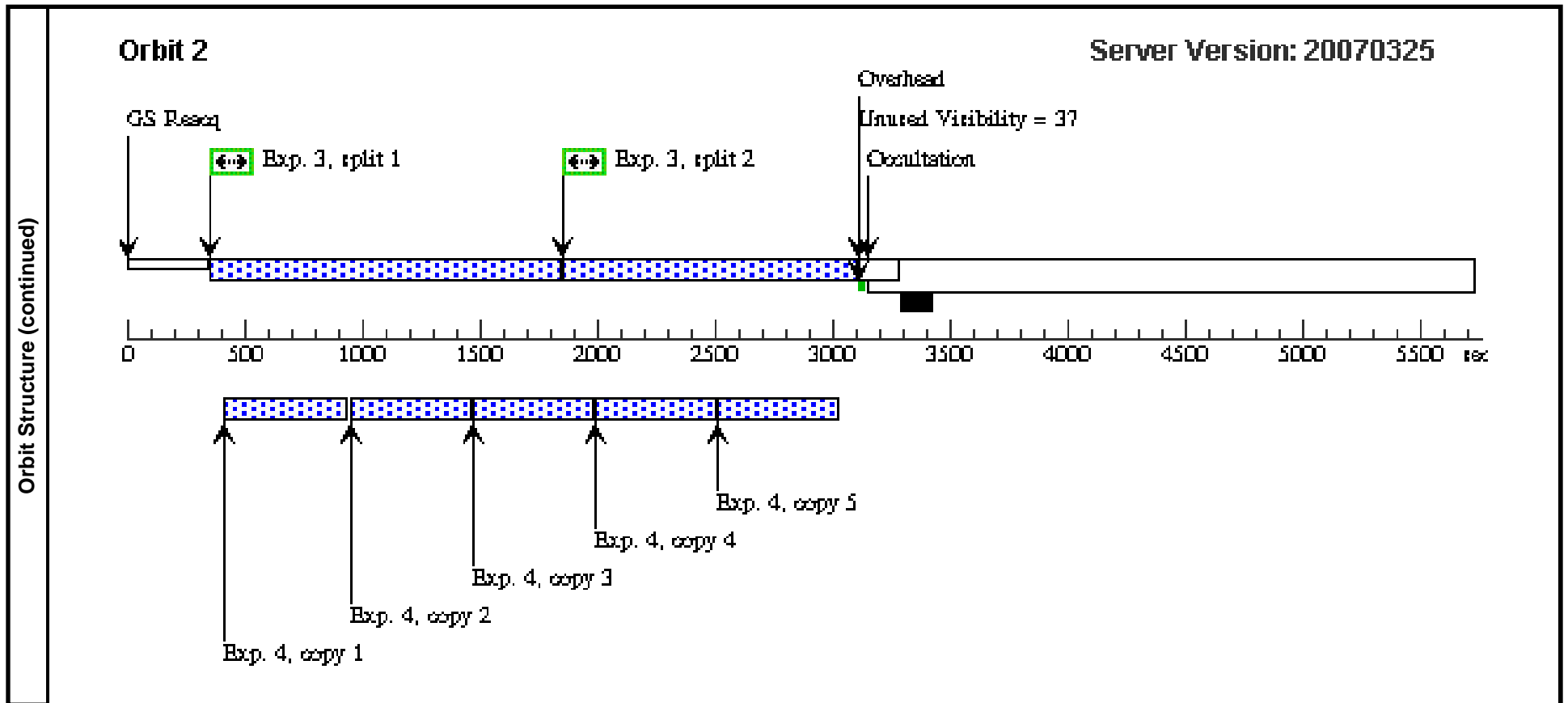




Proposal 10845 - Visit 07 - HUNTING FOR OPTICAL COMPANIONS TO BINARY MILLISECOND PULSARS IN TERZAN 5 AND NGC6266

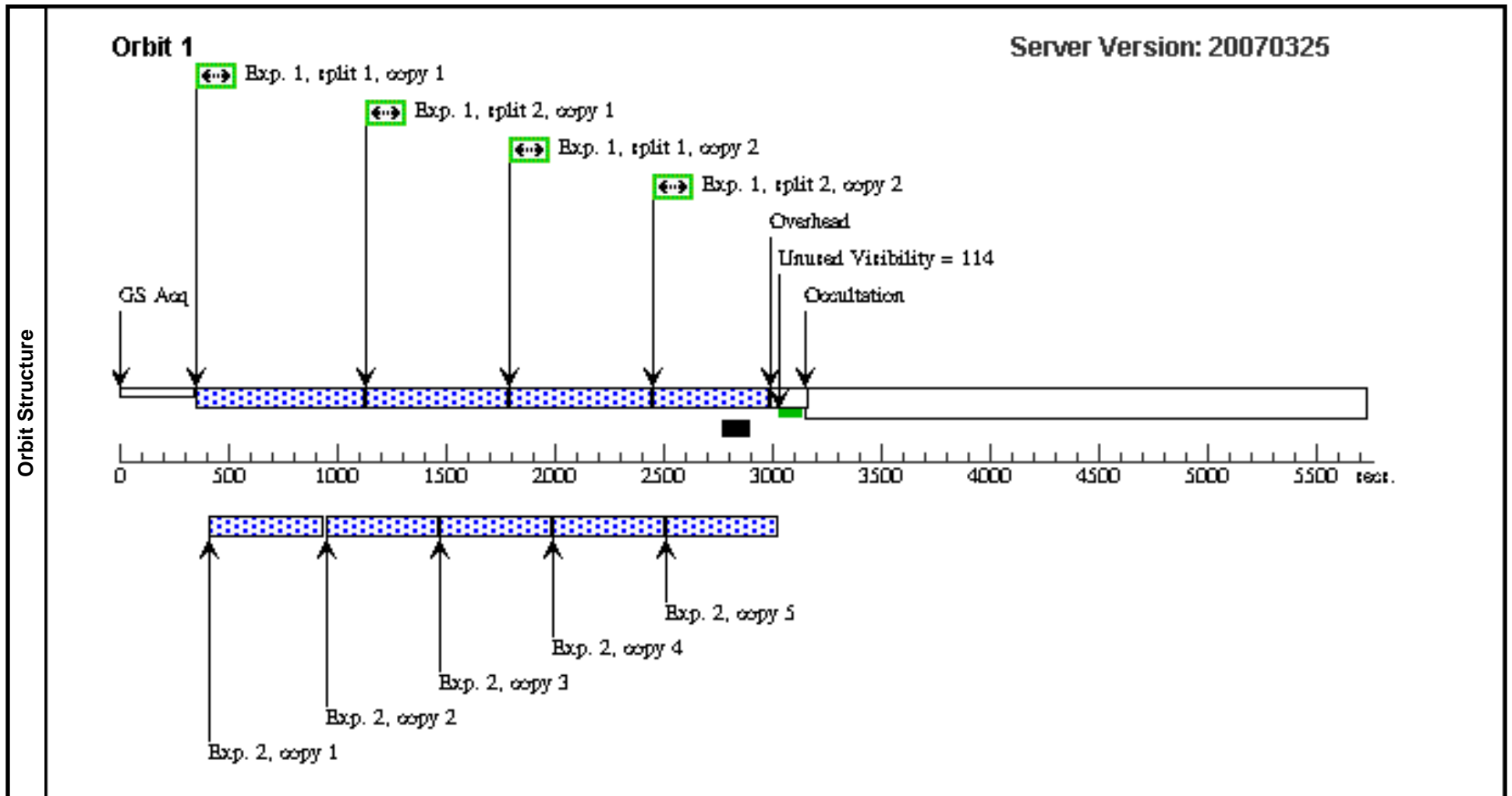
Visit		Proposal 10845, Visit 07, scheduling Diagnostic Status: No Diagnostics Scientific Instruments: WFPC2, NIC3 Special Requirements: AFTER 06 BY 5 Orbits TO 900 Orbits						Mon May 21 18:06:50 GMT 2007			
Fixed Targets		#	Name	Target Coordinates	Targ. Coord. Corrections	Fluxes	Miscellaneous				
		(2)	NGC6266	RA: 17 01 12.6700 (255.3027917d) Dec: -30 06 49.00 (-30.11361d) Equinox: J2000		V=25.0	Reference Frame: ICRS				
		<i>Comments: centered on PSR-B</i>									
Exposures		#	Label	Target	Config,Mode,Aperture	Spectral Els.	Opt. Params.	Special Reqs.	Groups	Exp. Time/[Actual Dur.]	Orbit
		1	6266-F656-3	(2) NGC6266	WFPC2, IMAGE, PC1	F656N			Prime + Parallel Group 1-2	2400.0 Secs [=>(Split 1)] [=>(Split 2)]	[1]
		2	6266nic3-F1 60_2p	ANY	NIC3, MULTIACCUM, NIC3	F160W	NSAMP=16; SAMP-SEQ=STEP6 4		Prime + Parallel Group 1-2	[=>(Copy 1)] [=>(Copy 2)] [=>(Copy 3)] [=>(Copy 4)] [=>(Copy 5)]	[1]
		3	6266-F656N_4	(2) NGC6266	WFPC2, IMAGE, PC1	F656N			Prime + Parallel Group 3-4	2400.0 Secs [=>(Split 1)] [=>(Split 2)]	[2]
		4	6266nic3-F1 10_2p	ANY	NIC3, MULTIACCUM, NIC3	F110W	NSAMP=16; SAMP-SEQ=STEP6 4		Prime + Parallel Group 3-4	[=>(Copy 1)] [=>(Copy 2)] [=>(Copy 3)] [=>(Copy 4)] [=>(Copy 5)]	[2]

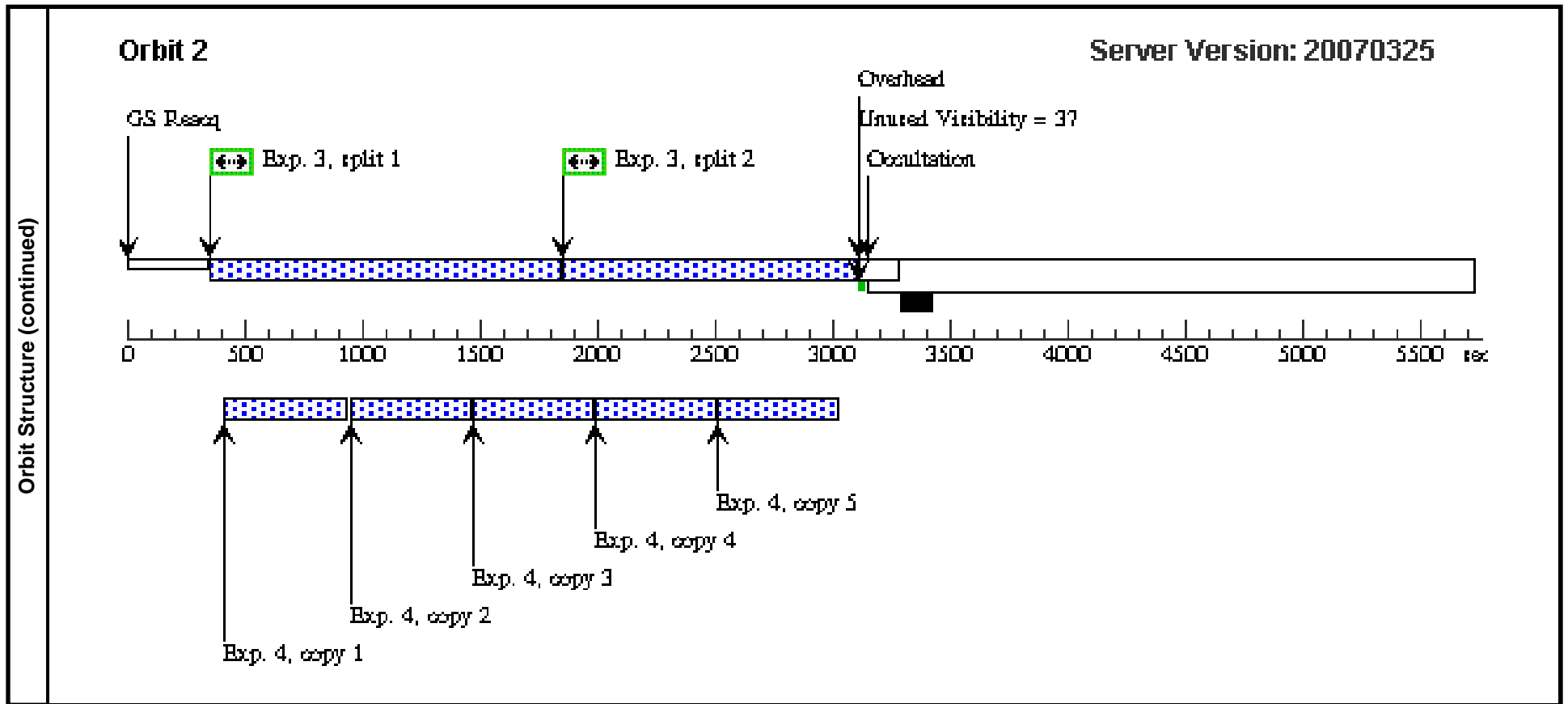




Proposal 10845 - Visit 08 - HUNTING FOR OPTICAL COMPANIONS TO BINARY MILLISECOND PULSARS IN TERZAN 5 AND NGC6266

Visit		Proposal 10845, Visit 08, scheduling Diagnostic Status: No Diagnostics Scientific Instruments: WFPC2, NIC3 Special Requirements: AFTER 07 BY 5 Orbits TO 900 Orbits							Mon May 21 18:06:50 GMT 2007		
Fixed Targets		#	Name	Target Coordinates	Targ. Coord. Corrections	Fluxes	Miscellaneous				
		(2)	NGC6266	RA: 17 01 12.6700 (255.3027917d) Dec: -30 06 49.00 (-30.11361d) Equinox: J2000		V=25.0	Reference Frame: ICRS				
		<i>Comments: centered on PSR-B</i>									
Exposures		#	Label	Target	Config,Mode,Aperture	Spectral Els.	Opt. Params.	Special Reqs.	Groups	Exp. Time/[Actual Dur.]	Orbit
		1	6266-F439-1	(2) NGC6266	WFPC2, IMAGE, PC1	F439W			Prime + Parallel Group 1-2	1000.0 Secs X 2 [==>(Copy 1, Split 1)] [==>(Copy 1, Split 2)] [==>(Copy 2, Split 1)] [==>(Copy 2, Split 2)]	[1]
		2	6266nic3-F1_60_3p	ANY	NIC3, MULTIACCUM, NIC3	F160W	NSAMP=16; SAMP-SEQ=STEP6 4		Prime + Parallel Group 1-2	[==>(Copy 1)] [==>(Copy 2)] [==>(Copy 3)] [==>(Copy 4)] [==>(Copy 5)]	[1]
		3	6266-F656N_5	(2) NGC6266	WFPC2, IMAGE, PC1	F656N			Prime + Parallel Group 3-4	2400.0 Secs [==>(Split 1)] [==>(Split 2)]	[2]
		4	6266nic3-F1_10_3p	ANY	NIC3, MULTIACCUM, NIC3	F110W	NSAMP=16; SAMP-SEQ=STEP6 4		Prime + Parallel Group 3-4	[==>(Copy 1)] [==>(Copy 2)] [==>(Copy 3)] [==>(Copy 4)] [==>(Copy 5)]	[2]





Proposal 10845 - Visit 56 - HUNTING FOR OPTICAL COMPANIONS TO BINARY MILLISECOND PULSARS IN TERZAN 5 AND NGC6266

Visit	Proposal 10845, Visit 56 Mon May 21 18:06:51 GMT 2007 Diagnostic Status: No Diagnostics Scientific Instruments: WFPC2, NIC3 Special Requirements: AFTER 08 BY 5 Orbits TO 900 Orbits Comments: <i>This is a repeat of failed visit 06.</i>																																																		
	Fixed Targets	<table border="1"> <thead> <tr> <th>#</th> <th>Name</th> <th>Target Coordinates</th> <th>Targ. Coord. Corrections</th> <th>Fluxes</th> <th>Miscellaneous</th> </tr> </thead> <tbody> <tr> <td>(2)</td> <td>NGC6266</td> <td>RA: 17 01 12.6700 (255.3027917d) Dec: -30 06 49.00 (-30.11361d) Equinox: J2000</td> <td></td> <td>V=25.0</td> <td>Reference Frame: ICRS</td> </tr> </tbody> </table> Comments: <i>centered on PSR-B</i>	#	Name	Target Coordinates	Targ. Coord. Corrections	Fluxes	Miscellaneous	(2)	NGC6266	RA: 17 01 12.6700 (255.3027917d) Dec: -30 06 49.00 (-30.11361d) Equinox: J2000		V=25.0	Reference Frame: ICRS																																					
#	Name	Target Coordinates	Targ. Coord. Corrections	Fluxes	Miscellaneous																																														
(2)	NGC6266	RA: 17 01 12.6700 (255.3027917d) Dec: -30 06 49.00 (-30.11361d) Equinox: J2000		V=25.0	Reference Frame: ICRS																																														
Exposures	<table border="1"> <thead> <tr> <th>#</th> <th>Label</th> <th>Target</th> <th>Config,Mode,Aperture</th> <th>Spectral Els.</th> <th>Opt. Params.</th> <th>Special Reqs.</th> <th>Groups</th> <th>Exp. Time/[Actual Dur.]</th> <th>Orbit</th> </tr> </thead> <tbody> <tr> <td>1</td> <td>6266-F656N -1</td> <td>(2) NGC6266</td> <td>WFPC2, IMAGE, PC1</td> <td>F656N</td> <td></td> <td></td> <td>Prime + Parallel Group up 1-2</td> <td>2400.0 Secs [==>(Split 1)] [==>(Split 2)]</td> <td>[1]</td> </tr> <tr> <td>2</td> <td>6266nic3-F1 60_1p</td> <td>ANY</td> <td>NIC3, MULTIACCUM, NIC3</td> <td>F160W</td> <td>NSAMP=16; SAMP-SEQ=STEP6 4</td> <td></td> <td>Prime + Parallel Group up 1-2</td> <td>[==>(Copy 1)] [==>(Copy 2)] [==>(Copy 3)] [==>(Copy 4)] [==>(Copy 5)]</td> <td>[1]</td> </tr> <tr> <td>3</td> <td>6266-F656N _2</td> <td>(2) NGC6266</td> <td>WFPC2, IMAGE, PC1</td> <td>F656N</td> <td></td> <td></td> <td>Prime + Parallel Group up 3-4</td> <td>2400.0 Secs [==>(Split 1)] [==>(Split 2)]</td> <td>[2]</td> </tr> <tr> <td>4</td> <td>6266nic3-F1 10_1p</td> <td>ANY</td> <td>NIC3, MULTIACCUM, NIC3</td> <td>F110W</td> <td>NSAMP=16; SAMP-SEQ=STEP6 4</td> <td></td> <td>Prime + Parallel Group up 3-4</td> <td>[==>(Copy 1)] [==>(Copy 2)] [==>(Copy 3)] [==>(Copy 4)] [==>(Copy 5)]</td> <td>[2]</td> </tr> </tbody> </table>	#	Label	Target	Config,Mode,Aperture	Spectral Els.	Opt. Params.	Special Reqs.	Groups	Exp. Time/[Actual Dur.]	Orbit	1	6266-F656N -1	(2) NGC6266	WFPC2, IMAGE, PC1	F656N			Prime + Parallel Group up 1-2	2400.0 Secs [==>(Split 1)] [==>(Split 2)]	[1]	2	6266nic3-F1 60_1p	ANY	NIC3, MULTIACCUM, NIC3	F160W	NSAMP=16; SAMP-SEQ=STEP6 4		Prime + Parallel Group up 1-2	[==>(Copy 1)] [==>(Copy 2)] [==>(Copy 3)] [==>(Copy 4)] [==>(Copy 5)]	[1]	3	6266-F656N _2	(2) NGC6266	WFPC2, IMAGE, PC1	F656N			Prime + Parallel Group up 3-4	2400.0 Secs [==>(Split 1)] [==>(Split 2)]	[2]	4	6266nic3-F1 10_1p	ANY	NIC3, MULTIACCUM, NIC3	F110W	NSAMP=16; SAMP-SEQ=STEP6 4		Prime + Parallel Group up 3-4	[==>(Copy 1)] [==>(Copy 2)] [==>(Copy 3)] [==>(Copy 4)] [==>(Copy 5)]	[2]
	#	Label	Target	Config,Mode,Aperture	Spectral Els.	Opt. Params.	Special Reqs.	Groups	Exp. Time/[Actual Dur.]	Orbit																																									
	1	6266-F656N -1	(2) NGC6266	WFPC2, IMAGE, PC1	F656N			Prime + Parallel Group up 1-2	2400.0 Secs [==>(Split 1)] [==>(Split 2)]	[1]																																									
	2	6266nic3-F1 60_1p	ANY	NIC3, MULTIACCUM, NIC3	F160W	NSAMP=16; SAMP-SEQ=STEP6 4		Prime + Parallel Group up 1-2	[==>(Copy 1)] [==>(Copy 2)] [==>(Copy 3)] [==>(Copy 4)] [==>(Copy 5)]	[1]																																									
	3	6266-F656N _2	(2) NGC6266	WFPC2, IMAGE, PC1	F656N			Prime + Parallel Group up 3-4	2400.0 Secs [==>(Split 1)] [==>(Split 2)]	[2]																																									
4	6266nic3-F1 10_1p	ANY	NIC3, MULTIACCUM, NIC3	F110W	NSAMP=16; SAMP-SEQ=STEP6 4		Prime + Parallel Group up 3-4	[==>(Copy 1)] [==>(Copy 2)] [==>(Copy 3)] [==>(Copy 4)] [==>(Copy 5)]	[2]																																										

