



10861 - An ACS Treasury Survey of the Coma cluster of galaxies

Cycle: 15, Proposal Category: GO

(Availability Mode: SUPPORTED)

INVESTIGATORS

<i>Name</i>	<i>Institution</i>	<i>E-Mail</i>
Prof. David Carter (PI)	Liverpool John Moores University	
Dr. Bahram Mobasher (CoI)	Space Telescope Science Institute - ESA	
Dr. Paul Goudfrooij (CoI)	Space Telescope Science Institute	
Dr. Thomas H. Puzia (CoI)	Space Telescope Science Institute	
Dr. Harry C. Ferguson (CoI)	Space Telescope Science Institute	
Dr. Rafael Guzman (CoI)	University of Florida	
Dr. Alister W. Graham (CoI)	Australian National University	
Dr. Neil Trentham (CoI)	University of Cambridge	
Prof. David Merritt (CoI)	Rochester Institute of Technology	
Dr. Dan Batcheldor (CoI)	Rochester Institute of Technology	
Dr. Shardha Jogee (CoI)	University of Texas at Austin	
Dr. John Lucey (CoI)	University of Durham	
Dr. Russell Smith (CoI)	University of Durham	
Prof. Ray M. Sharples (CoI)	University of Durham	
Dr. Mustapha Mouhcine (CoI)	Liverpool John Moores University	
Dr. Reynier F. Peletier (CoI)	Kapteyn Astronomical Institute	
Dr. Marc Balcels (CoI)	Instituto de Astrofisica de Canarias	
Dr. Sadanori Okamura (CoI)	University of Tokyo, Institute of Astronomy	
Dr. Yutaka Komiyama (CoI)	National Astronomical Obs of Japan (NAOJ), Subaru Telescope	
Dr. Jonathan Davies (CoI)	University of Wales, College of Cardiff (UWCC)	

<i>Name</i>	<i>Institution</i>	<i>E-Mail</i>
Dr. Steve Phillipps (CoI)	University of Bristol	
Dr. Bianca Poggianti (CoI)	Osservatorio Astronomico di Padova	
Dr. Terry Bridges (CoI)	Queen's University	
Dr. Michael J. Hudson (CoI)	University of Waterloo	
Dr. Bryan Miller (CoI)	Gemini Observatory, Southern Operations	
Dr. Jennifer Lotz (CoI)	National Optical Astronomy Observatories, AURA	
Prof. Edwin Valentijn (CoI)	Kapteyn Astronomical Institute	
Dr. R. Brent Tully (CoI)	University of Hawaii	
Dr. Ann Hornschemeier (CoI)	NASA Goddard Space Flight Center	
Dr. Neal A. Miller (CoI)	The Johns Hopkins University	
Dr. Peter Erwin (CoI)	Max-Planck-Institut fur extraterrestrische Physik	
Dr. Alfonso Aguerra (CoI)	Instituto de Astrofisica de Canarias	

VISITS

<i>Visit</i>	<i>Targets used in Visit</i>	<i>Configurations used in Visit</i>	<i>Orbits Used</i>	<i>Last Orbit Planner Run</i>	<i>OP Current with Visit?</i>
01	(25) COMA1-1 ANY	ACS/WFC NIC3	2	25-Jan-2007 21:02:29.0	yes
02	(24) COMA1-2 ANY	ACS/WFC NIC3	2	25-Jan-2007 21:02:41.0	yes
03	(23) COMA1-3 ANY	ACS/WFC NIC3	2	25-Jan-2007 21:02:56.0	yes
04	(22) COMA1-4 ANY	ACS/WFC NIC3	2	25-Jan-2007 21:03:05.0	yes
05	(26) COMA1-5 ANY	ACS/WFC NIC3	2	25-Jan-2007 21:03:17.0	yes

<i>Visit</i>	<i>Targets used in Visit</i>	<i>Configurations used in Visit</i>	<i>Orbits Used</i>	<i>Last Orbit Planner Run</i>	<i>OP Current with Visit?</i>
06	(27) COMA7-6 ANY	ACS/WFC NIC3	2	25-Jan-2007 21:03:30.0	yes
07	(28) COMA1-7 ANY	ACS/WFC NIC3	2	25-Jan-2007 21:03:39.0	yes
08	(18) COMA2-1 ANY	ACS/WFC NIC3	2	25-Jan-2007 21:03:47.0	yes
09	(17) COMA2-2 ANY	ACS/WFC NIC3	2	25-Jan-2007 21:04:00.0	yes
10	(16) COMA2-3 ANY	ACS/WFC NIC3	2	25-Jan-2007 21:04:09.0	yes
11	(15) COMA2-4 ANY	ACS/WFC NIC3	2	25-Jan-2007 21:04:17.0	yes
12	(19) COMA2-5 ANY	ACS/WFC NIC3	2	25-Jan-2007 21:04:29.0	yes
13	(20) COMA2-6 ANY	ACS/WFC NIC3	2	25-Jan-2007 21:04:38.0	yes
14	(21) COMA2-7 ANY	ACS/WFC NIC3	2	25-Jan-2007 21:04:46.0	yes
15	(11) COMA3-1 ANY	ACS/WFC NIC3	2	25-Jan-2007 21:04:55.0	yes
16	(10) COMA3-2 ANY	ACS/WFC NIC3	2	25-Jan-2007 21:05:07.0	yes
17	(9) COMA3-3 ANY	ACS/WFC NIC3	2	25-Jan-2007 21:05:16.0	yes

<i>Visit</i>	<i>Targets used in Visit</i>	<i>Configurations used in Visit</i>	<i>Orbits Used</i>	<i>Last Orbit Planner Run</i>	<i>OP Current with Visit?</i>
18	(8) COMA3-4 ANY	ACS/WFC NIC3	2	25-Jan-2007 21:05:24.0	yes
19	(12) COMA3-5 ANY	ACS/WFC NIC3	2	25-Jan-2007 21:05:36.0	yes
20	(13) COMA3-6 ANY	ACS/WFC NIC3	2	25-Jan-2007 21:05:44.0	yes
21	(14) COMA3-7 ANY	ACS/WFC NIC3	2	25-Jan-2007 21:05:55.0	yes
22	(4) COMA4-1 ANY	ACS/WFC NIC3	2	25-Jan-2007 21:06:05.0	yes
23	(3) COMA4-2 ANY	ACS/WFC NIC3	2	25-Jan-2007 21:06:17.0	yes
24	(2) COMA4-3 ANY	ACS/WFC NIC3	2	25-Jan-2007 21:06:27.0	yes
25	(1) COMA4-4 ANY	ACS/WFC NIC3	2	25-Jan-2007 21:06:38.0	yes
26	(5) COMA4-5 ANY	ACS/WFC NIC3	2	25-Jan-2007 21:06:46.0	yes
27	(6) COMA4-6 ANY	ACS/WFC NIC3	2	25-Jan-2007 21:06:54.0	yes
28	(7) COMA4-7 ANY	ACS/WFC NIC3	2	25-Jan-2007 21:07:07.0	yes
29	(32) COMA5-1 ANY	ACS/WFC NIC3	2	25-Jan-2007 21:07:15.0	yes

<i>Visit</i>	<i>Targets used in Visit</i>	<i>Configurations used in Visit</i>	<i>Orbits Used</i>	<i>Last Orbit Planner Run</i>	<i>OP Current with Visit?</i>
30	(31) COMA5-2 ANY	ACS/WFC NIC3	2	25-Jan-2007 21:07:23.0	yes
31	(30) COMA5-3 ANY	ACS/WFC NIC3	2	25-Jan-2007 21:07:36.0	yes
32	(29) COMA5-4 ANY	ACS/WFC NIC3	2	25-Jan-2007 21:07:44.0	yes
33	(33) COMA5-5 ANY	ACS/WFC NIC3	2	25-Jan-2007 21:07:53.0	yes
34	(34) COMA5-6 ANY	ACS/WFC NIC3	2	25-Jan-2007 21:08:05.0	yes
35	(35) COMA5-7 ANY	ACS/WFC NIC3	2	25-Jan-2007 21:08:13.0	yes
36	(39) COMA6-1 ANY	ACS/WFC NIC3	2	25-Jan-2007 21:08:22.0	yes
37	(38) COMA6-2 ANY	ACS/WFC NIC3	2	25-Jan-2007 21:08:30.0	yes
38	(37) COMA6-3 ANY	ACS/WFC NIC3	2	25-Jan-2007 21:08:42.0	yes
39	(36) COMA6-4 ANY	ACS/WFC NIC3	2	25-Jan-2007 21:08:54.0	yes
40	(40) COMA6-5 ANY	ACS/WFC NIC3	2	25-Jan-2007 21:09:03.0	yes
41	(41) COMA6-6 ANY	ACS/WFC NIC3	2	25-Jan-2007 21:09:15.0	yes

<i>Visit</i>	<i>Targets used in Visit</i>	<i>Configurations used in Visit</i>	<i>Orbits Used</i>	<i>Last Orbit Planner Run</i>	<i>OP Current with Visit?</i>
42	(42) COMA6-7 ANY	ACS/WFC NIC3	2	25-Jan-2007 21:09:24.0	yes
43	(43) COMA-OUTSKIRTS-1 ANY	ACS/WFC NIC3	2	25-Jan-2007 21:09:35.0	yes
44	(44) COMA-OUTSKIRTS-2 ANY	ACS/WFC NIC3	2	25-Jan-2007 21:09:47.0	yes
45	(45) COMA-OUTSKIRTS-3 ANY	ACS/WFC NIC3	2	25-Jan-2007 21:09:58.0	yes
46	(46) COMA-OUTSKIRTS-4 ANY	ACS/WFC NIC3	2	25-Jan-2007 21:10:07.0	yes
47	(47) COMA-OUTSKIRTS-5 ANY	ACS/WFC NIC3	2	25-Jan-2007 21:10:15.0	yes
48	(48) COMA-OUTSKIRTS-6 ANY	ACS/WFC NIC3	2	25-Jan-2007 21:10:31.0	yes
49	(49) COMA-OUTSKIRTS-7 ANY	ACS/WFC NIC3	2	25-Jan-2007 21:10:39.0	yes
50	(50) COMA-OUTSKIRTS-8 ANY	ACS/WFC NIC3	2	25-Jan-2007 21:10:48.0	yes
51	(51) COMA-OUTSKIRTS-9 ANY	ACS/WFC NIC3	2	25-Jan-2007 21:11:01.0	yes
52	(52) COMA-OUTSKIRTS-10 ANY	ACS/WFC NIC3	2	25-Jan-2007 21:11:10.0	yes
53	(53) COMA-OUTSKIRTS-11 ANY	ACS/WFC NIC3	2	25-Jan-2007 21:11:18.0	yes

<i>Visit</i>	<i>Targets used in Visit</i>	<i>Configurations used in Visit</i>	<i>Orbits Used</i>	<i>Last Orbit Planner Run</i>	<i>OP Current with Visit?</i>
54	(54) COMA-OUTSKIRTS-12 ANY	ACS/WFC NIC3	2	25-Jan-2007 21:11:27.0	yes
55	(55) COMA-OUTSKIRTS-13 ANY	ACS/WFC NIC3	2	25-Jan-2007 21:11:40.0	yes
56	(56) COMA-OUTSKIRTS-14 ANY	ACS/WFC NIC3	2	25-Jan-2007 21:11:49.0	yes
57	(57) COMA-OUTSKIRTS-15 ANY	ACS/WFC NIC3	2	25-Jan-2007 21:11:58.0	yes
58	(58) COMA-OUTSKIRTS-16 ANY	ACS/WFC NIC3	2	25-Jan-2007 21:12:10.0	yes
59	(59) COMA-OUTSKIRTS-17 ANY	ACS/WFC NIC3	2	25-Jan-2007 21:12:19.0	yes
60	(60) COMA-OUTSKIRTS-18 ANY	ACS/WFC NIC3	2	25-Jan-2007 21:12:28.0	yes
61	(61) COMA-OUTSKIRTS-19 ANY	ACS/WFC NIC3	2	25-Jan-2007 21:12:37.0	yes
62	(62) COMA-OUTSKIRTS-20 ANY	ACS/WFC NIC3	2	25-Jan-2007 21:12:49.0	yes
63	(63) COMA-OUTSKIRTS-21 ANY	ACS/WFC NIC3	2	25-Jan-2007 21:12:58.0	yes
64	(64) COMA-OUTSKIRTS-22 ANY	ACS/WFC NIC3	2	25-Jan-2007 21:13:07.0	yes
65	(65) COMA-OUTSKIRTS-23 ANY	ACS/WFC NIC3	2	25-Jan-2007 21:13:20.0	yes

<i>Visit</i>	<i>Targets used in Visit</i>	<i>Configurations used in Visit</i>	<i>Orbits Used</i>	<i>Last Orbit Planner Run</i>	<i>OP Current with Visit?</i>
66	(66) COMA-OUTSKIRTS-24 ANY	ACS/WFC NIC3	2	25-Jan-2007 21:13:29.0	yes
67	(67) COMA-OUTSKIRTS-25 ANY	ACS/WFC NIC3	2	25-Jan-2007 21:13:38.0	yes
68	(68) COMA-OUTSKIRTS-26 ANY	ACS/WFC NIC3	2	25-Jan-2007 21:13:47.0	yes
69	(69) COMA-OUTSKIRTS-27 ANY	ACS/WFC NIC3	2	25-Jan-2007 21:14:00.0	yes
70	(70) COMA-OUTSKIRTS-28 ANY	ACS/WFC NIC3	2	25-Jan-2007 21:14:09.0	yes
71	(71) COMA-OUTSKIRTS-29 ANY	ACS/WFC NIC3	2	25-Jan-2007 21:14:18.0	yes
72	(72) COMA-OUTSKIRTS-30 ANY	ACS/WFC NIC3	2	25-Jan-2007 21:14:31.0	yes
73	(73) COMA-OUTSKIRTS-31 ANY	ACS/WFC NIC3	2	25-Jan-2007 21:14:40.0	yes
74	(74) COMA-OUTSKIRTS-32 ANY	ACS/WFC NIC3	2	25-Jan-2007 21:14:49.0	yes
75	(75) COMA7-7 ANY	ACS/WFC NIC3	2	25-Jan-2007 21:15:02.0	yes
76	(76) COMA-OUTSKIRTS-34 ANY	ACS/WFC NIC3	2	25-Jan-2007 21:15:11.0	yes
77	(77) COMA-OUTSKIRTS-35 ANY	ACS/WFC NIC3	2	25-Jan-2007 21:15:20.0	yes

Proposal 10861 (STScI Edit Number: 32, Created: Thursday, January 25, 2007 9:17:34 PM EST) - Overview

<i>Visit</i>	<i>Targets used in Visit</i>	<i>Configurations used in Visit</i>	<i>Orbits Used</i>	<i>Last Orbit Planner Run</i>	<i>OP Current with Visit?</i>
78	(78) COMA-OUTSKIRTS-36 ANY	ACS/WFC NIC3	2	25-Jan-2007 21:15:29.0	yes
79	(79) COMA-OUTSKIRTS-37 ANY	ACS/WFC NIC3	2	25-Jan-2007 21:15:42.0	yes
80	(80) COMA-OUTSKIRTS-38 ANY	ACS/WFC NIC3	2	25-Jan-2007 21:15:51.0	yes
81	(81) COMA-OUTSKIRTS-39 ANY	ACS/WFC NIC3	2	25-Jan-2007 21:16:00.0	yes
82	(82) COMA-OUTSKIRTS-40 ANY	ACS/WFC NIC3	2	25-Jan-2007 21:16:16.0	yes
90	(55) COMA-OUTSKIRTS-13 ANY	ACS/WFC NIC3	2	25-Jan-2007 21:16:25.0	yes
91	(26) COMA1-5 ANY	ACS/WFC NIC3	2	25-Jan-2007 21:16:38.0	yes
92	(27) COMA7-6 ANY	ACS/WFC NIC3	2	25-Jan-2007 21:16:52.0	yes
93	(28) COMA1-7 ANY	ACS/WFC NIC3	2	25-Jan-2007 21:17:08.0	yes
94	(15) COMA2-4 ANY	ACS/WFC NIC3	2	25-Jan-2007 21:17:22.0	yes
95	(37) COMA6-3 ANY	ACS/WFC NIC3	2	25-Jan-2007 21:17:31.0	yes

176 Total Orbits Used

ABSTRACT

We propose to use the unique spatial resolution of HST and ACS to construct a Treasury imaging survey of the core and infall region of the richest local cluster, Coma. We will observe samples of thousands of galaxies down to magnitude $B=27.3$ with the aim of studying in detail the dwarf galaxy population which, according to hierarchical models of galaxy formation, are the earliest galaxies to form in the universe. Our initial scientific objectives are:

- 1) A study of the structure of the dwarf galaxies, including scaling laws, nuclear structure and morphology, to compare with hierarchical and evolutionary models of their formation.
- 2) A study of the stellar populations from colors and color gradients, and how the internal chemical evolution of galaxies is affected by interaction with the cluster gaseous and galaxy environment.
- 3) To determine the effect of the cluster environment upon morphological features, disks, bulges and bars, by comparing these structure in the Coma sample with field galaxy samples.
- 4) Identification of dwarf galaxy samples for further study with the new generation of multi-object and integral-field spectrographs on 8-10 metre class telescopes such as Keck, Subaru, Gemini, and GTC.

This is the first such survey of a nearby rich cluster. It will provide a key database for studies of galaxy formation and evolution, and a very needed reference for comparison with similar galaxy surveys both in lower density environments in the nearby universe, and in high density environments at high redshifts.

OBSERVING DESCRIPTION

This is a test version of the phase II proposal for GO10861. The proposal has been allocated 164 orbits.

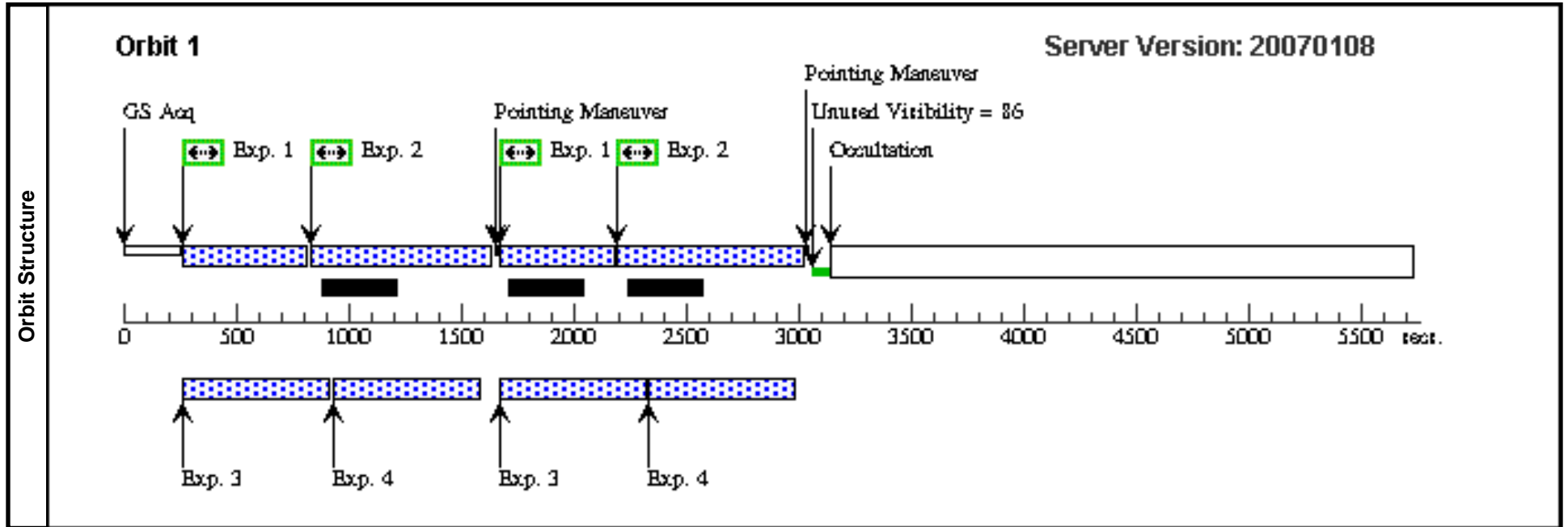
Mosaic of 7 x 6 tiles in the core of the Coma cluster of galaxies. Each tile to be observed for two orbits in filters F814W and F475W, exact split of time between these filters tbd. It is important that these 84 orbits are at the same orientation.

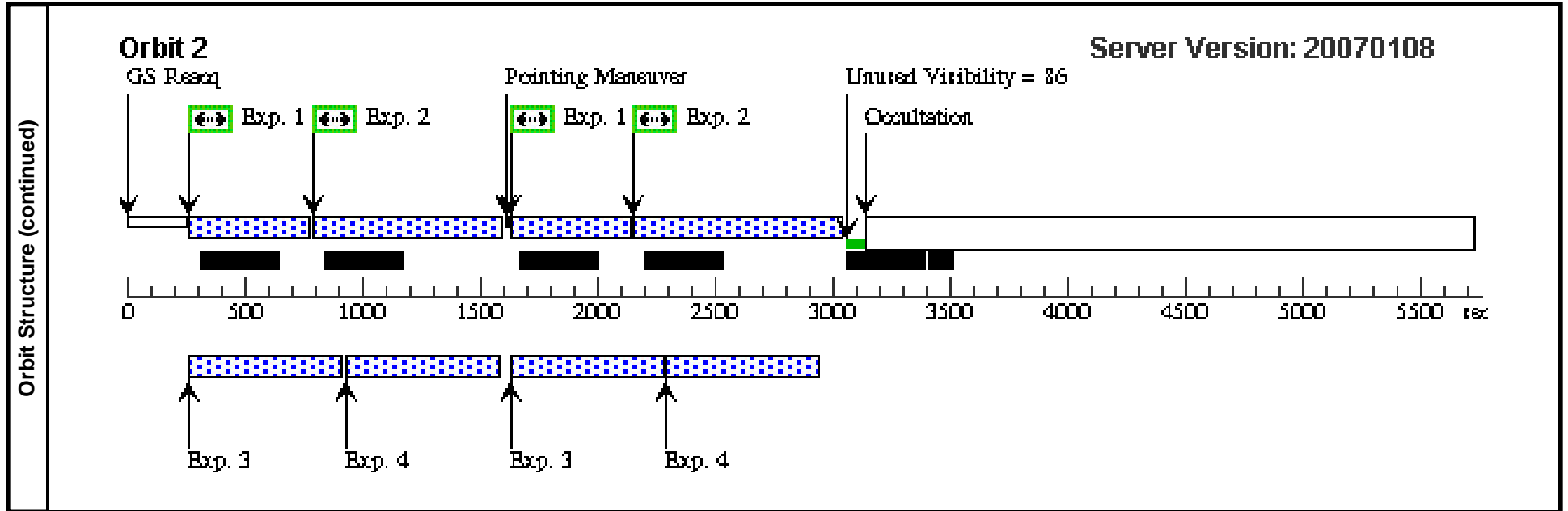
40 additional specified positions in the outskirts of the Coma cluster, to be observed for two orbits each, with the same split of time between filters. orientation for these positions is free

Proposal 10861 - Visit 01 - An ACS Treasury Survey of the Coma cluster of galaxies

Fri Jan 26 02:17:35 GMT 2007

Visit	Proposal 10861, Visit 01, completed Diagnostic Status: No Diagnostics Scientific Instruments: ACS/WFC, NIC3 Special Requirements: ORIENT 282.0D TO 282.0 D									
	Patterns	#	Primary Pattern			Secondary Pattern			Exposures	
		(1)	Pattern Type=ACS-WFC-DITHER-LINE Purpose=DITHER Number Of Points=2 Point Spacing=3.011 Line Spacing=	Coordinate Frame=POS-TARG Pattern Orientation=85.3 Angle Between Sides= Center Pattern=false	Pattern Type=LINE Purpose=DITHER Number Of Points=2 Point Spacing=0.241 Line Spacing=	Coordinate Frame=POS-TARG Pattern Orientation=22.3 Angle Between Sides= Center Pattern=false	(1-4)			
Fixed Targets	#	Name	Target Coordinates	Targ. Coord. Corrections	Fluxes	Miscellaneous				
	(25)	COMA1-1	RA: 13 00 45.9000 (195.1912500d) Dec: +28 04 54.00 (28.08167d) Equinox: J2000		V=22.0	Reference Frame: ICRS				
Exposures	#	Label	Target	Config,Mode,Aperture	Spectral Els.	Opt. Params.	Special Reqs.	Groups	Exp. Time/[Actual Dur.]	Orbit
	1	F814	(25) COMA1-1	ACS/WFC, ACCUM, WFC	F814W	CR-SPLIT=NO	GS ACQ SCENARI O SINGLE	Pattern 1-4 (1) Prime + Parallel Group 1-4	350.0 Secs [==>(Pattern 1,1)] [==>(Pattern 1,2)] [==>(Pattern 2,1)] [==>(Pattern 2,2)]	[1] [2]
	2	F475	(25) COMA1-1	ACS/WFC, ACCUM, WFC	F475W	CR-SPLIT=NO		Pattern 1-4 (1) Prime + Parallel Group 1-4	640.0 Secs [==>(Pattern 1,1)] [==>665.0 Secs (Pattern 1,2)] [==>(Pattern 2,1)] [==>732.0 Secs (Pattern 2,2)]	[1] [2]
	3	NICMOS H	ANY	NIC3, MULTIACCUM, NIC3	F160W	SAMP-SEQ=SPARS 128; NSAMP=7		Pattern 1-4 (1) Prime + Parallel Group 1-4	[==>(Pattern 1,1)] [==>(Pattern 1,2)] [==>(Pattern 2,1)] [==>(Pattern 2,2)]	[1] [2]
	4	NICMOS J	ANY	NIC3, MULTIACCUM, NIC3-FIX	F110W	SAMP-SEQ=SPARS 128; NSAMP=7		Pattern 1-4 (1) Prime + Parallel Group 1-4	[==>(Pattern 1,1)] [==>(Pattern 1,2)] [==>(Pattern 2,1)] [==>(Pattern 2,2)]	[1] [2]

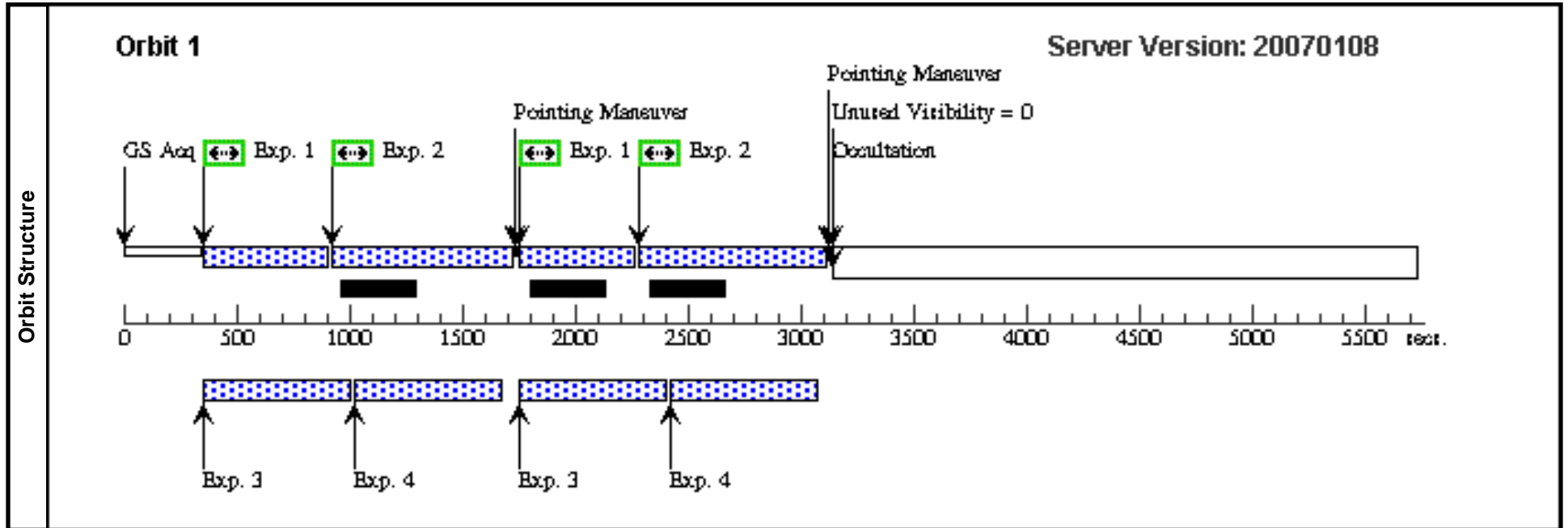


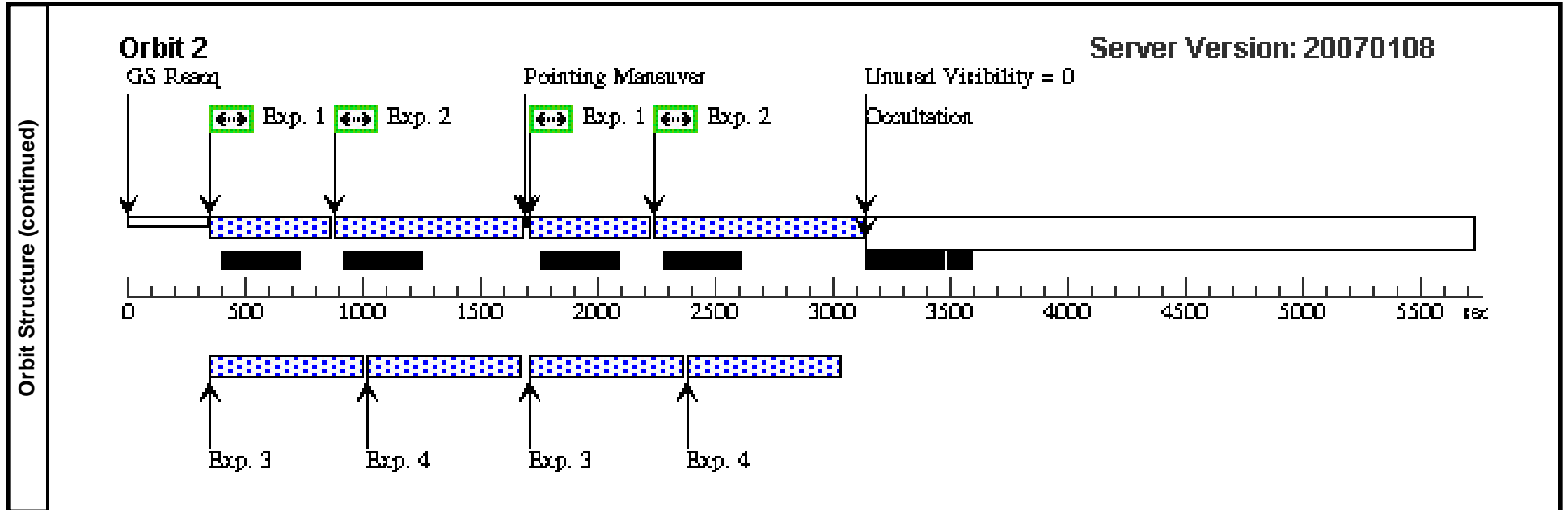


Proposal 10861 - Visit 02 - An ACS Treasury Survey of the Coma cluster of galaxies

Fri Jan 26 02:17:38 GMT 2007

Visit	Proposal 10861, Visit 02, completed Diagnostic Status: No Diagnostics Scientific Instruments: ACS/WFC, NIC3 Special Requirements: SAME ORIENT AS 01									
	Patterns	#	Primary Pattern			Secondary Pattern			Exposures	
		(1)	Pattern Type=ACS-WFC-DITHER-LINE Purpose=DITHER Number Of Points=2 Point Spacing=3.011 Line Spacing=	Coordinate Frame=POS-TARG Pattern Orientation=85.3 Angle Between Sides= Center Pattern=false	Pattern Type=LINE Purpose=DITHER Number Of Points=2 Point Spacing=0.241 Line Spacing=	Coordinate Frame=POS-TARG Pattern Orientation=22.3 Angle Between Sides= Center Pattern=false	(1-4)			
Fixed Targets	#	Name	Target Coordinates	Targ. Coord. Corrections	Fluxes	Miscellaneous				
	(24)	COMA1-2	RA: 13 00 30.3000 (195.1262500d) Dec: +28 04 54.00 (28.08167d) Equinox: J2000		V=22.0	Reference Frame: ICRS				
Exposures	#	Label	Target	Config,Mode,Aperture	Spectral Els.	Opt. Params.	Special Reqs.	Groups	Exp. Time/[Actual Dur.]	Orbit
	1	F814	(24) COMA1-2	ACS/WFC, ACCUM, WFC	F814W	CR-SPLIT=NO		Pattern 1-4 (1) Prime + Parallel Group 1-4	350.0 Secs [==>(Pattern 1,1)] [==>(Pattern 1,2)] [==>(Pattern 2,1)] [==>(Pattern 2,2)]	[1] [2]
	2	F475	(24) COMA1-2	ACS/WFC, ACCUM, WFC	F475W	CR-SPLIT=NO		Pattern 1-4 (1) Prime + Parallel Group 1-4	640.0 Secs [==>(Pattern 1,1)] [==>665.0 Secs (Pattern 1,2)] [==>(Pattern 2,1)] [==>732.0 Secs (Pattern 2,2)]	[1] [2]
	3	NICMOS H	ANY	NIC3, MULTIACCUM, NIC3	F160W	SAMP-SEQ=SPARS 128; NSAMP=7		Pattern 1-4 (1) Prime + Parallel Group 1-4	[==>(Pattern 1,1)] [==>(Pattern 1,2)] [==>(Pattern 2,1)] [==>(Pattern 2,2)]	[1] [2]
	4	NICMOS J	ANY	NIC3, MULTIACCUM, NIC3-FIX	F110W	SAMP-SEQ=SPARS 128; NSAMP=7		Pattern 1-4 (1) Prime + Parallel Group 1-4	[==>(Pattern 1,1)] [==>(Pattern 1,2)] [==>(Pattern 2,1)] [==>(Pattern 2,2)]	[1] [2]

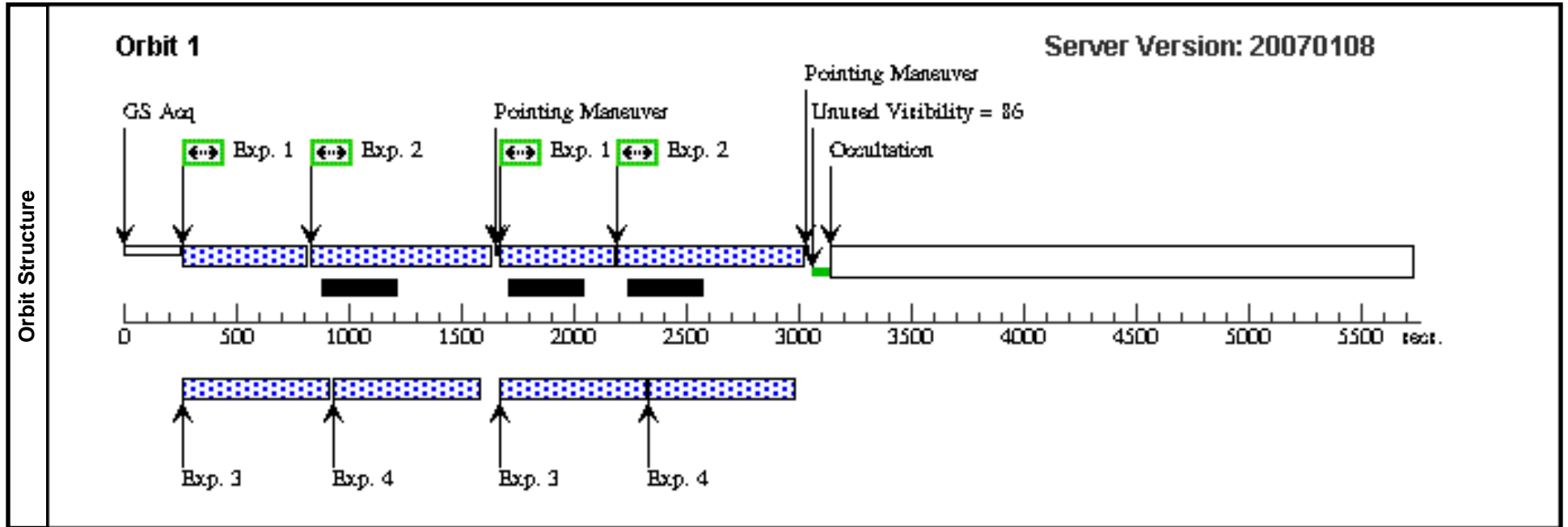


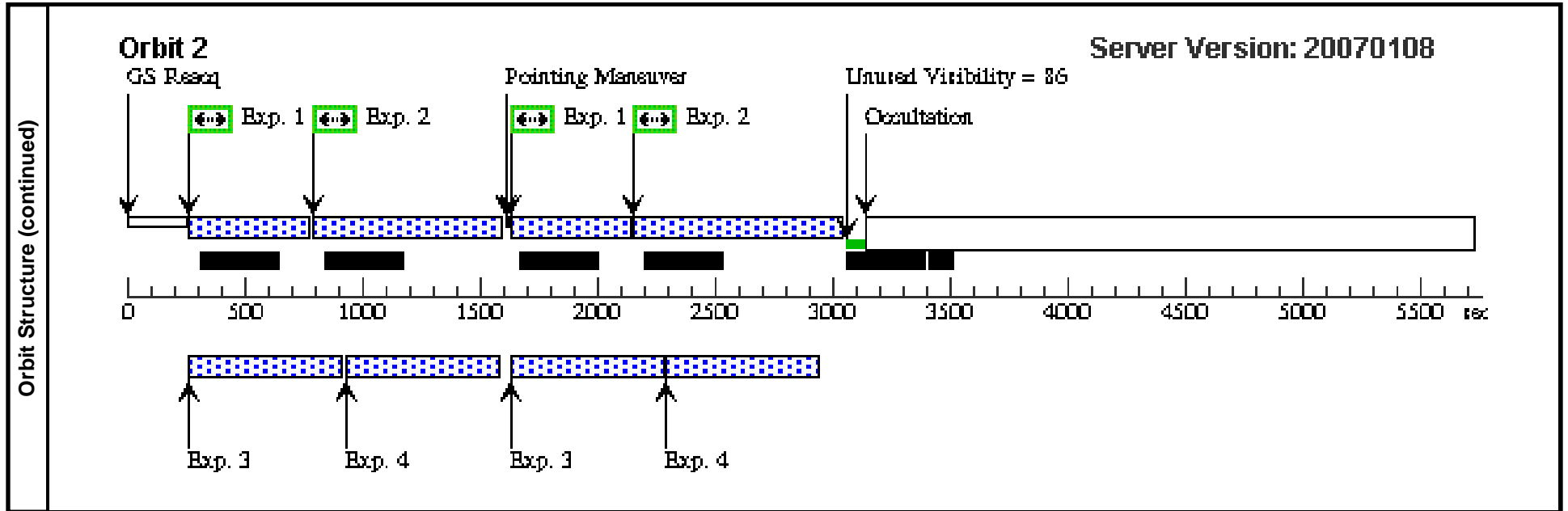


Proposal 10861 - Visit 03 - An ACS Treasury Survey of the Coma cluster of galaxies

Fri Jan 26 02:17:39 GMT 2007

Visit	Proposal 10861, Visit 03, completed Diagnostic Status: No Diagnostics Scientific Instruments: ACS/WFC, NIC3 Special Requirements: SAME ORIENT AS 01									
	Patterns	#	Primary Pattern			Secondary Pattern			Exposures	
		(1)	Pattern Type=ACS-WFC-DITHER-LINE Purpose=DITHER Number Of Points=2 Point Spacing=3.011 Line Spacing=	Coordinate Frame=POS-TARG Pattern Orientation=85.3 Angle Between Sides= Center Pattern=false	Pattern Type=LINE Purpose=DITHER Number Of Points=2 Point Spacing=0.241 Line Spacing=	Coordinate Frame=POS-TARG Pattern Orientation=22.3 Angle Between Sides= Center Pattern=false	(1-4)			
Fixed Targets	#	Name	Target Coordinates	Targ. Coord. Corrections	Fluxes	Miscellaneous				
	(23)	COMA1-3	RA: 13 00 14.7000 (195.0612500d) Dec: +28 04 54.00 (28.08167d) Equinox: J2000		V=22.0	Reference Frame: ICRS				
Exposures	#	Label	Target	Config,Mode,Aperture	Spectral Els.	Opt. Params.	Special Reqs.	Groups	Exp. Time/[Actual Dur.]	Orbit
	1	F814	(23) COMA1-3	ACS/WFC, ACCUM, WFC	F814W	CR-SPLIT=NO	GS ACQ SCENARI O SINGLE	Pattern 1-4 (1) Prime + Parallel Group 1-4	350.0 Secs [==>(Pattern 1,1)] [==>(Pattern 1,2)] [==>(Pattern 2,1)] [==>(Pattern 2,2)]	[1] [2]
	2	F475	(23) COMA1-3	ACS/WFC, ACCUM, WFC	F475W	CR-SPLIT=NO		Pattern 1-4 (1) Prime + Parallel Group 1-4	640.0 Secs [==>(Pattern 1,1)] [==>665.0 Secs (Pattern 1,2)] [==>(Pattern 2,1)] [==>732.0 Secs (Pattern 2,2)]	[1] [2]
	3	NICMOS H	ANY	NIC3, MULTIACCUM, NIC3	F160W	SAMP-SEQ=SPARS 128; NSAMP=7		Pattern 1-4 (1) Prime + Parallel Group 1-4	[==>(Pattern 1,1)] [==>(Pattern 1,2)] [==>(Pattern 2,1)] [==>(Pattern 2,2)]	[1] [2]
	4	NICMOS J	ANY	NIC3, MULTIACCUM, NIC3-FIX	F110W	SAMP-SEQ=SPARS 128; NSAMP=7		Pattern 1-4 (1) Prime + Parallel Group 1-4	[==>(Pattern 1,1)] [==>(Pattern 1,2)] [==>(Pattern 2,1)] [==>(Pattern 2,2)]	[1] [2]

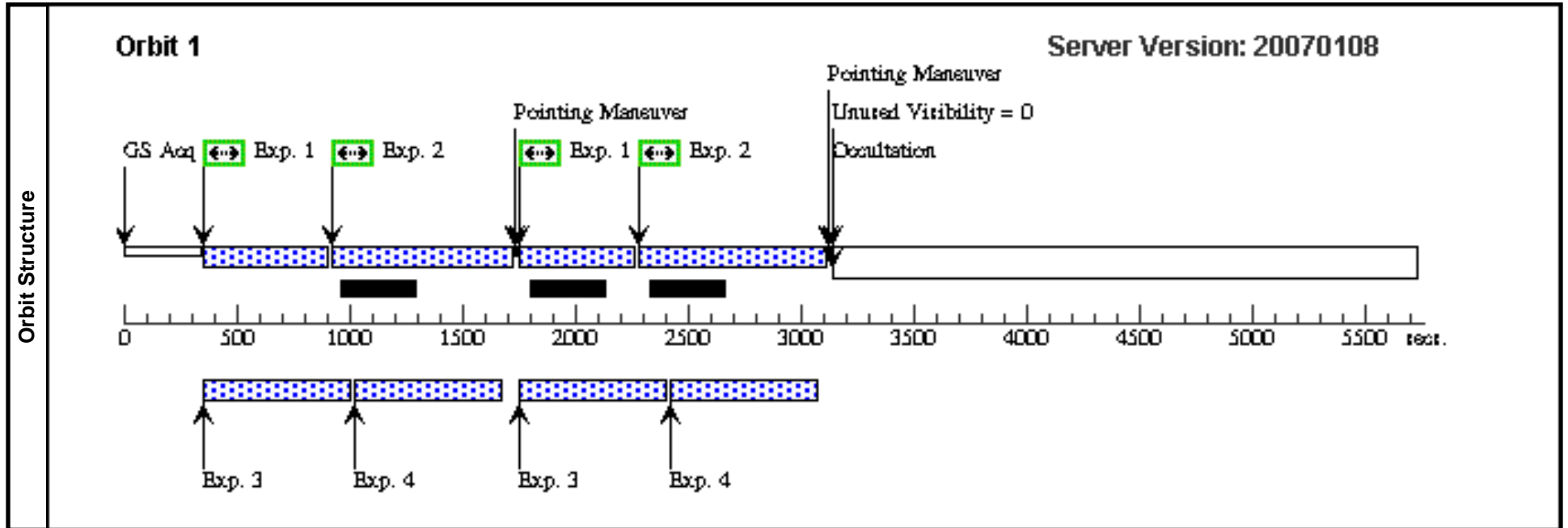


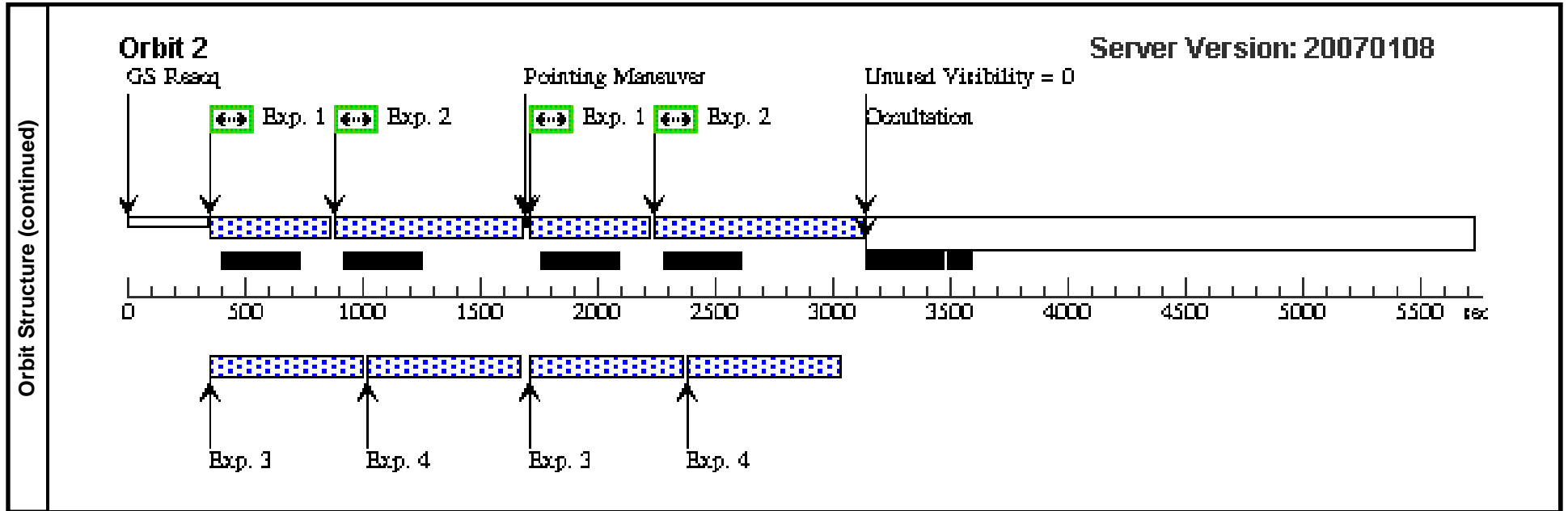


Proposal 10861 - Visit 04 - An ACS Treasury Survey of the Coma cluster of galaxies

Fri Jan 26 02:17:40 GMT 2007

Visit	Proposal 10861, Visit 04, scheduling Diagnostic Status: No Diagnostics Scientific Instruments: ACS/WFC, NIC3 Special Requirements: ORIENT 271.0D TO 282.0 D									
	Patterns	#	Primary Pattern			Secondary Pattern			Exposures	
		(1)	Pattern Type=ACS-WFC-DITHER-LINE Purpose=DITHER Number Of Points=2 Point Spacing=3.011 Line Spacing=	Coordinate Frame=POS-TARG Pattern Orientation=85.3 Angle Between Sides= Center Pattern=false	Pattern Type=LINE Purpose=DITHER Number Of Points=2 Point Spacing=0.241 Line Spacing=	Coordinate Frame=POS-TARG Pattern Orientation=22.3 Angle Between Sides= Center Pattern=false	(1-4)			
Fixed Targets	#	Name	Target Coordinates	Targ. Coord. Corrections	Fluxes	Miscellaneous				
	(22)	COMA1-4	RA: 12 59 59.1000 (194.9962500d) Dec: +28 04 54.00 (28.08167d) Equinox: J2000		V=22.0	Reference Frame: ICRS				
Exposures	#	Label	Target	Config,Mode,Aperture	Spectral Els.	Opt. Params.	Special Reqs.	Groups	Exp. Time/[Actual Dur.]	Orbit
	1	F814	(22) COMA1-4	ACS/WFC, ACCUM, WFC	F814W	CR-SPLIT=NO		Pattern 1-4 (1) Prime + Parallel Group 1-4	350.0 Secs [==>(Pattern 1,1)] [==>(Pattern 1,2)] [==>(Pattern 2,1)] [==>(Pattern 2,2)]	[1] [2]
	2	F475	(22) COMA1-4	ACS/WFC, ACCUM, WFC	F475W	CR-SPLIT=NO		Pattern 1-4 (1) Prime + Parallel Group 1-4	640.0 Secs [==>(Pattern 1,1)] [==>665.0 Secs (Pattern 1,2)] [==>(Pattern 2,1)] [==>732.0 Secs (Pattern 2,2)]	[1] [2]
	3	NICMOS H	ANY	NIC3, MULTIACCUM, NIC3	F160W	SAMP-SEQ=SPARS 128; NSAMP=7		Pattern 1-4 (1) Prime + Parallel Group 1-4	[==>(Pattern 1,1)] [==>(Pattern 1,2)] [==>(Pattern 2,1)] [==>(Pattern 2,2)]	[1] [2]
	4	NICMOS J	ANY	NIC3, MULTIACCUM, NIC3-FIX	F110W	SAMP-SEQ=SPARS 128; NSAMP=7		Pattern 1-4 (1) Prime + Parallel Group 1-4	[==>(Pattern 1,1)] [==>(Pattern 1,2)] [==>(Pattern 2,1)] [==>(Pattern 2,2)]	[1] [2]

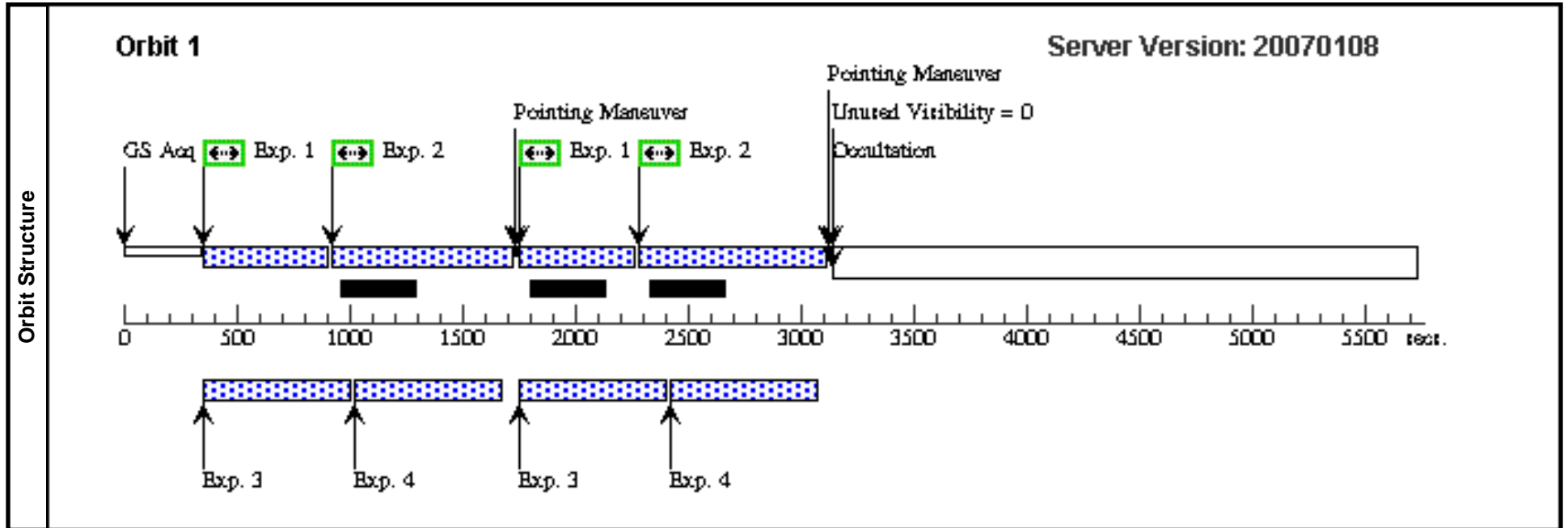


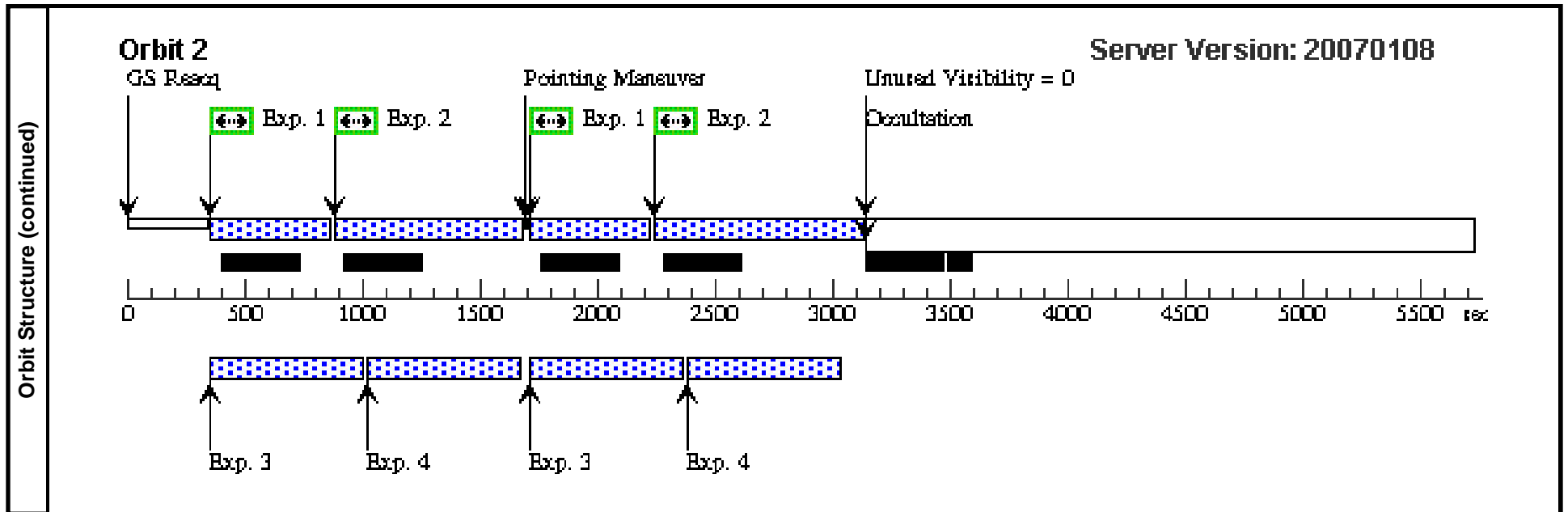


Proposal 10861 - Visit 05 - An ACS Treasury Survey of the Coma cluster of galaxies

Fri Jan 26 02:17:41 GMT 2007

Visit	Proposal 10861, Visit 05, failed Diagnostic Status: No Diagnostics Scientific Instruments: ACS/WFC, NIC3 Special Requirements: SAME ORIENT AS 01									
	Patterns	#	Primary Pattern			Secondary Pattern			Exposures	
		(1)	Pattern Type=ACS-WFC-DITHER-LINE Purpose=DITHER Number Of Points=2 Point Spacing=3.011 Line Spacing=	Coordinate Frame=POS-TARG Pattern Orientation=85.3 Angle Between Sides= Center Pattern=false	Pattern Type=LINE Purpose=DITHER Number Of Points=2 Point Spacing=0.241 Line Spacing=	Coordinate Frame=POS-TARG Pattern Orientation=22.3 Angle Between Sides= Center Pattern=false	(1-4)			
Fixed Targets	#	Name	Target Coordinates	Targ. Coord. Corrections	Fluxes	Miscellaneous				
	(26)	COMA1-5	RA: 12 59 43.5000 (194.9312500d) Dec: +28 04 54.00 (28.08167d) Equinox: J2000		V=22.0	Reference Frame: ICRS				
Exposures	#	Label	Target	Config,Mode,Aperture	Spectral Els.	Opt. Params.	Special Reqs.	Groups	Exp. Time/[Actual Dur.]	Orbit
	1	F814	(26) COMA1-5	ACS/WFC, ACCUM, WFC	F814W	CR-SPLIT=NO		Pattern 1-4 (1) Prime + Parallel Group 1-4	350.0 Secs [==>(Pattern 1,1)] [==>(Pattern 1,2)] [==>(Pattern 2,1)] [==>(Pattern 2,2)]	[1] [2]
	2	F475	(26) COMA1-5	ACS/WFC, ACCUM, WFC	F475W	CR-SPLIT=NO		Pattern 1-4 (1) Prime + Parallel Group 1-4	640.0 Secs [==>(Pattern 1,1)] [==>665.0 Secs (Pattern 1,2)] [==>(Pattern 2,1)] [==>732.0 Secs (Pattern 2,2)]	[1] [2]
	3	NICMOS H	ANY	NIC3, MULTIACCUM, NIC3	F160W	SAMP-SEQ=SPARS 128; NSAMP=7		Pattern 1-4 (1) Prime + Parallel Group 1-4	[==>(Pattern 1,1)] [==>(Pattern 1,2)] [==>(Pattern 2,1)] [==>(Pattern 2,2)]	[1] [2]
	4	NICMOS J	ANY	NIC3, MULTIACCUM, NIC3-FIX	F110W	SAMP-SEQ=SPARS 128; NSAMP=7		Pattern 1-4 (1) Prime + Parallel Group 1-4	[==>(Pattern 1,1)] [==>(Pattern 1,2)] [==>(Pattern 2,1)] [==>(Pattern 2,2)]	[1] [2]

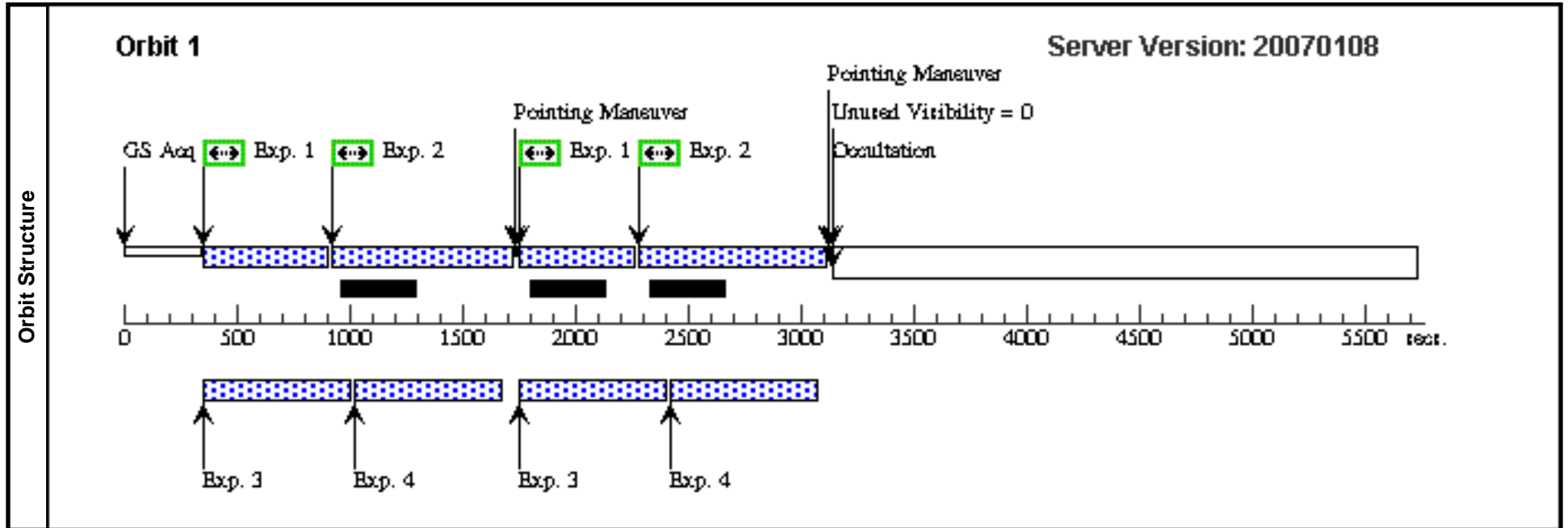


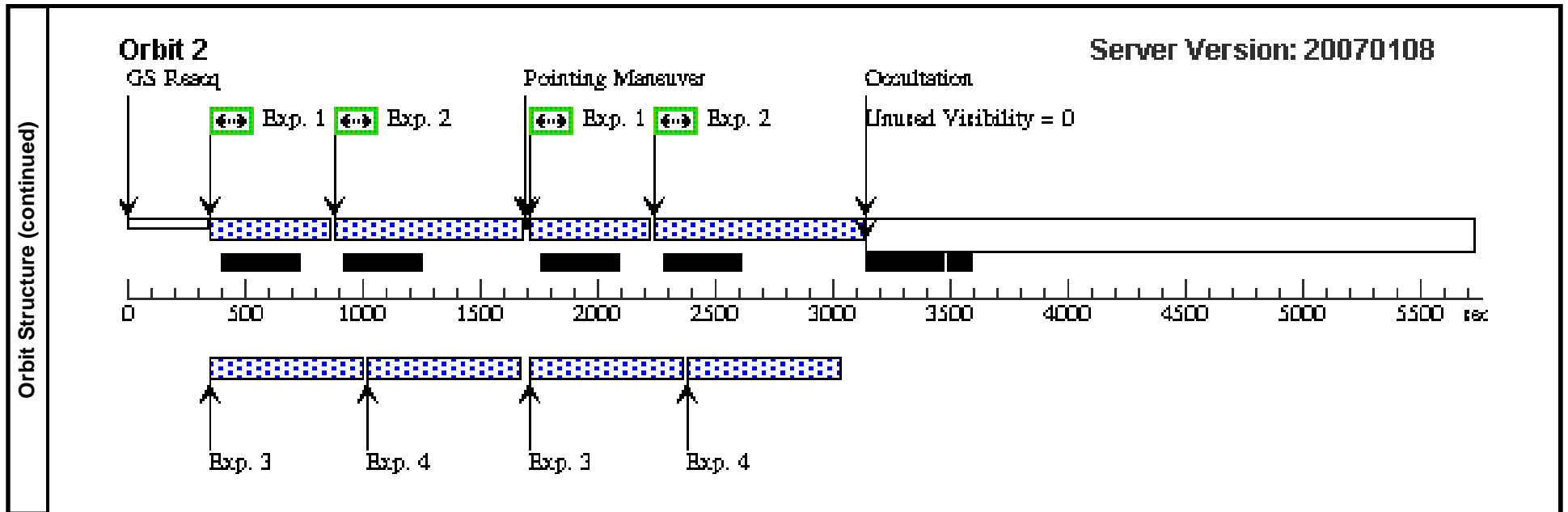


Proposal 10861 - Visit 06 - An ACS Treasury Survey of the Coma cluster of galaxies

Fri Jan 26 02:17:42 GMT 2007

Visit		Proposal 10861, Visit 06, failed Diagnostic Status: No Diagnostics Scientific Instruments: ACS/WFC, NIC3 Special Requirements: SAME ORIENT AS 01								
Patterns	#	Primary Pattern			Secondary Pattern			Exposures		
	(1)	Pattern Type=ACS-WFC-DITHER-LINE Purpose=DITHER Number Of Points=2 Point Spacing=3.011 Line Spacing=	Coordinate Frame=POS-TARG Pattern Orientation=85.3 Angle Between Sides= Center Pattern=false	Pattern Type=LINE Purpose=DITHER Number Of Points=2 Point Spacing=0.241 Line Spacing=	Coordinate Frame=POS-TARG Pattern Orientation=22.3 Angle Between Sides= Center Pattern=false	(1-4)				
Fixed Targets	#	Name	Target Coordinates	Targ. Coord. Corrections	Fluxes	Miscellaneous				
	(27)	COMA7-6	RA: 12 59 6.3000 (194.7762500d) Dec: +27 45 48.00 (27.76333d) Equinox: J2000		V=22.0	Reference Frame: ICRS				
Exposures	#	Label	Target	Config,Mode,Aperture	Spectral Els.	Opt. Params.	Special Reqs.	Groups	Exp. Time/[Actual Dur.]	Orbit
	1	F814	(27) COMA7-6	ACS/WFC, ACCUM, WFC	F814W	CR-SPLIT=NO		Pattern 1-4 (1) Prime + Parallel Group 1-4	350.0 Secs [=>(Pattern 1,1)] [=>(Pattern 1,2)] [=>(Pattern 2,1)] [=>(Pattern 2,2)]	[1] [2]
	2	F475	(27) COMA7-6	ACS/WFC, ACCUM, WFC	F475W	CR-SPLIT=NO		Pattern 1-4 (1) Prime + Parallel Group 1-4	640.0 Secs [=>(Pattern 1,1)] [=>665.0 Secs (Pattern 1,2)] [=>(Pattern 2,1)] [=>732.0 Secs (Pattern 2,2)]	[1] [2]
	3	NICMOS H	ANY	NIC3, MULTIACCUM, NIC3	F160W	SAMP-SEQ=SPARS 128; NSAMP=7		Pattern 1-4 (1) Prime + Parallel Group 1-4	[=>(Pattern 1,1)] [=>(Pattern 1,2)] [=>(Pattern 2,1)] [=>(Pattern 2,2)]	[1] [2]
	4	NICMOS J	ANY	NIC3, MULTIACCUM, NIC3-FIX	F110W	SAMP-SEQ=SPARS 128; NSAMP=7		Pattern 1-4 (1) Prime + Parallel Group 1-4	[=>(Pattern 1,1)] [=>(Pattern 1,2)] [=>(Pattern 2,1)] [=>(Pattern 2,2)]	[1] [2]

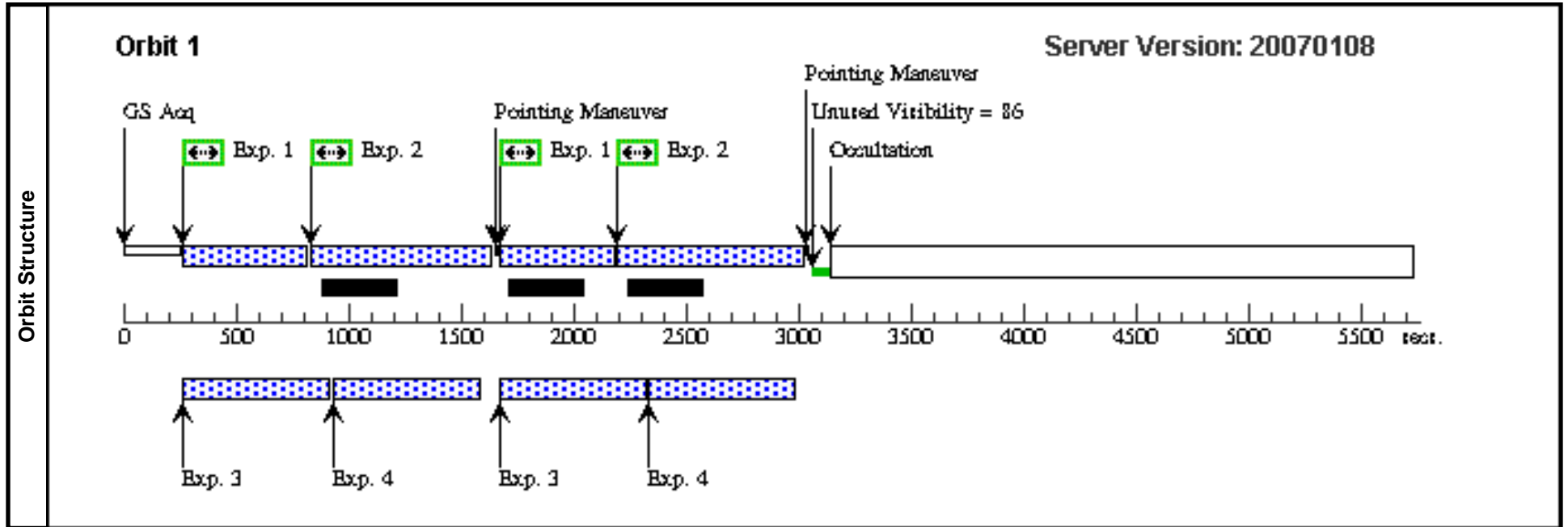


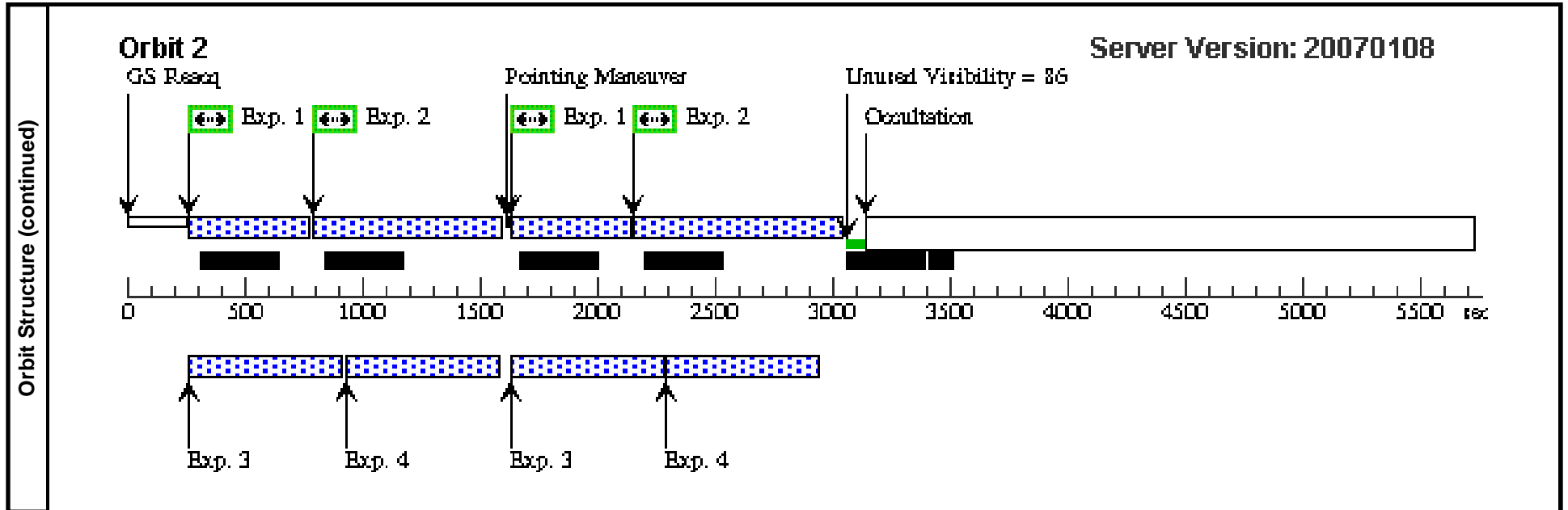


Proposal 10861 - Visit 07 - An ACS Treasury Survey of the Coma cluster of galaxies

Fri Jan 26 02:17:42 GMT 2007

Visit	Proposal 10861, Visit 07, failed Diagnostic Status: No Diagnostics Scientific Instruments: ACS/WFC, NIC3 Special Requirements: SAME ORIENT AS 01									
	Patterns	#	Primary Pattern			Secondary Pattern			Exposures	
		(1)	Pattern Type=ACS-WFC-DITHER-LINE Purpose=DITHER Number Of Points=2 Point Spacing=3.011 Line Spacing=	Coordinate Frame=POS-TARG Pattern Orientation=85.3 Angle Between Sides= Center Pattern=false	Pattern Type=LINE Purpose=DITHER Number Of Points=2 Point Spacing=0.241 Line Spacing=	Coordinate Frame=POS-TARG Pattern Orientation=22.3 Angle Between Sides= Center Pattern=false	(1-4)			
Fixed Targets	#	Name	Target Coordinates	Targ. Coord. Corrections	Fluxes	Miscellaneous				
	(28)	COMA1-7	RA: 12 59 12.3000 (194.8012500d) Dec: +28 04 54.00 (28.08167d) Equinox: J2000		V=22.0	Reference Frame: ICRS				
Exposures	#	Label	Target	Config,Mode,Aperture	Spectral Els.	Opt. Params.	Special Reqs.	Groups	Exp. Time/[Actual Dur.]	Orbit
	1	F814	(28) COMA1-7	ACS/WFC, ACCUM, WFC	F814W	CR-SPLIT=NO	GS ACQ SCENARI O SINGLE	Pattern 1-4 (1) Prime + Parallel Group 1-4	350.0 Secs [==>(Pattern 1,1)] [==>(Pattern 1,2)] [==>(Pattern 2,1)] [==>(Pattern 2,2)]	[1] [2]
	2	F475	(28) COMA1-7	ACS/WFC, ACCUM, WFC	F475W	CR-SPLIT=NO		Pattern 1-4 (1) Prime + Parallel Group 1-4	640.0 Secs [==>(Pattern 1,1)] [==>665.0 Secs (Pattern 1,2)] [==>(Pattern 2,1)] [==>732.0 Secs (Pattern 2,2)]	[1] [2]
	3	NICMOS H	ANY	NIC3, MULTIACCUM, NIC3	F160W	SAMP-SEQ=SPARS 128; NSAMP=7		Pattern 1-4 (1) Prime + Parallel Group 1-4	[==>(Pattern 1,1)] [==>(Pattern 1,2)] [==>(Pattern 2,1)] [==>(Pattern 2,2)]	[1] [2]
	4	NICMOS J	ANY	NIC3, MULTIACCUM, NIC3-FIX	F110W	SAMP-SEQ=SPARS 128; NSAMP=7		Pattern 1-4 (1) Prime + Parallel Group 1-4	[==>(Pattern 1,1)] [==>(Pattern 1,2)] [==>(Pattern 2,1)] [==>(Pattern 2,2)]	[1] [2]

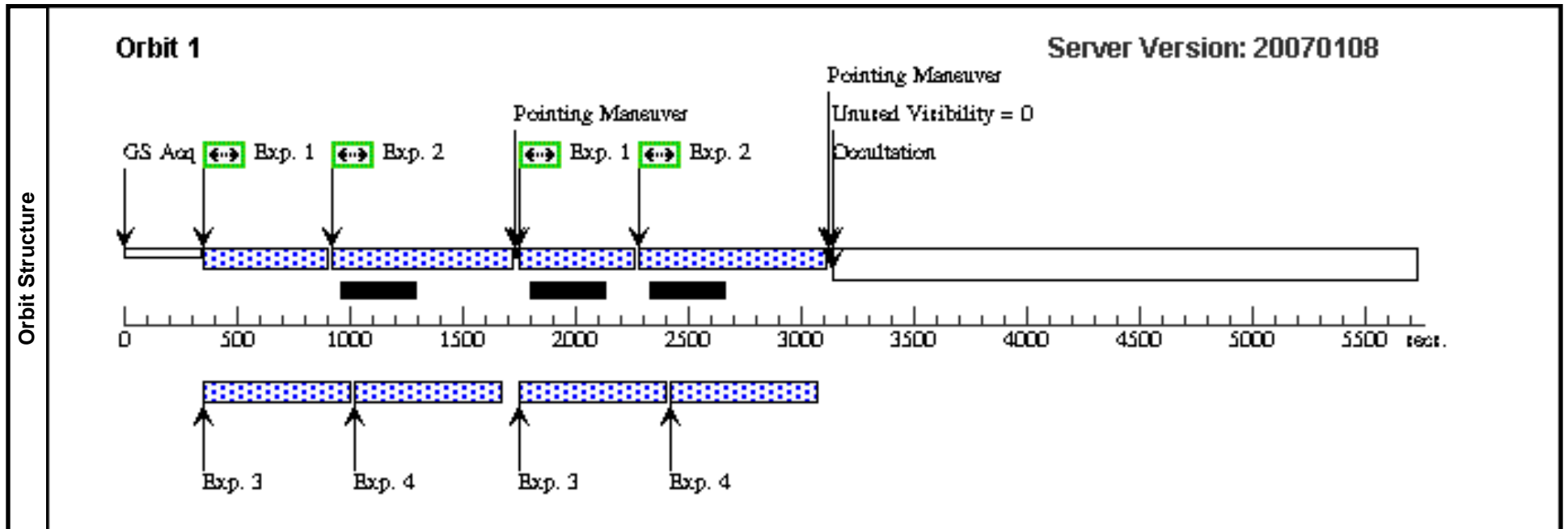


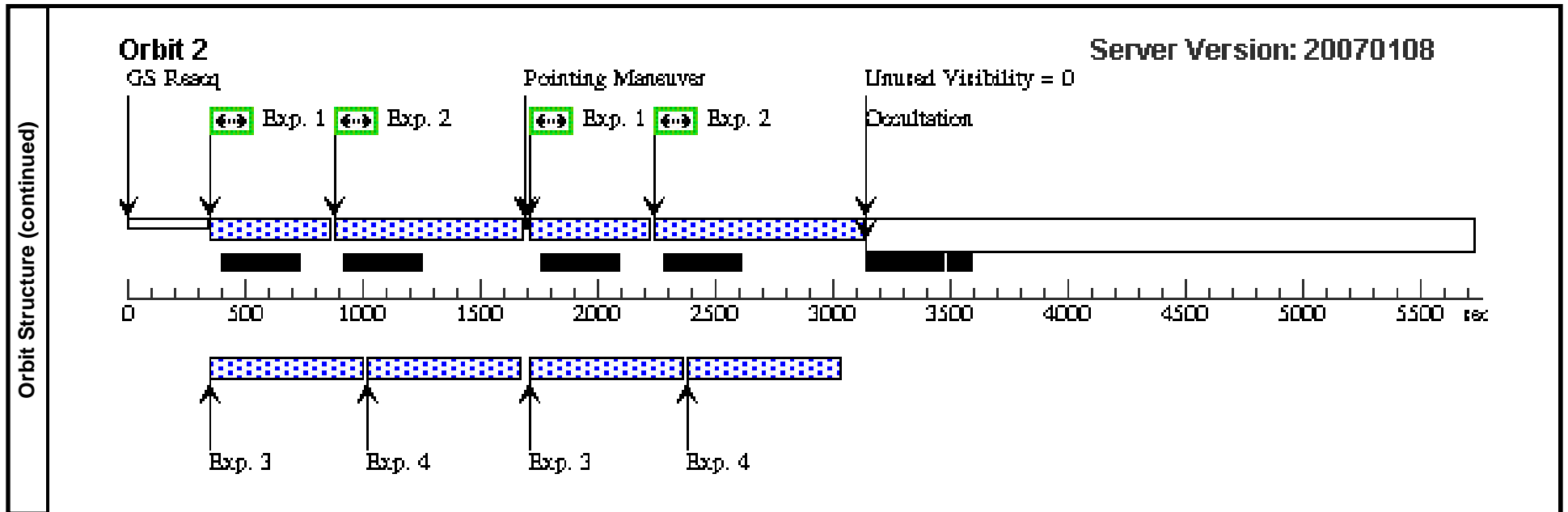


Proposal 10861 - Visit 08 - An ACS Treasury Survey of the Coma cluster of galaxies

Fri Jan 26 02:17:43 GMT 2007

Visit	Proposal 10861, Visit 08, completed Diagnostic Status: No Diagnostics Scientific Instruments: ACS/WFC, NIC3 Special Requirements: SAME ORIENT AS 01									
	Patterns	#	Primary Pattern			Secondary Pattern			Exposures	
		(1)	Pattern Type=ACS-WFC-DITHER-LINE Purpose=DITHER Number Of Points=2 Point Spacing=3.011 Line Spacing=	Coordinate Frame=POS-TARG Pattern Orientation=85.3 Angle Between Sides= Center Pattern=false	Pattern Type=LINE Purpose=DITHER Number Of Points=2 Point Spacing=0.241 Line Spacing=	Coordinate Frame=POS-TARG Pattern Orientation=22.3 Angle Between Sides= Center Pattern=false	(1-4)			
Fixed Targets	#	Name	Target Coordinates	Targ. Coord. Corrections	Fluxes	Miscellaneous				
	(18)	COMA2-1	RA: 13 00 42.3000 (195.1762500d) Dec: +28 01 43.00 (28.02861d) Equinox: J2000		V=22.0	Reference Frame: ICRS				
Exposures	#	Label	Target	Config,Mode,Aperture	Spectral Els.	Opt. Params.	Special Reqs.	Groups	Exp. Time/[Actual Dur.]	Orbit
	1	F814	(18) COMA2-1	ACS/WFC, ACCUM, WFC	F814W	CR-SPLIT=NO		Pattern 1-4 (1) Prime + Parallel Group 1-4	350.0 Secs [==>(Pattern 1,1)] [==>(Pattern 1,2)] [==>(Pattern 2,1)] [==>(Pattern 2,2)]	[1] [2]
	2	F475	(18) COMA2-1	ACS/WFC, ACCUM, WFC	F475W	CR-SPLIT=NO		Pattern 1-4 (1) Prime + Parallel Group 1-4	640.0 Secs [==>(Pattern 1,1)] [==>665.0 Secs (Pattern 1,2)] [==>(Pattern 2,1)] [==>732.0 Secs (Pattern 2,2)]	[1] [2]
	3	NICMOS H	ANY	NIC3, MULTIACCUM, NIC3	F160W	SAMP-SEQ=SPARS 128; NSAMP=7		Pattern 1-4 (1) Prime + Parallel Group 1-4	[==>(Pattern 1,1)] [==>(Pattern 1,2)] [==>(Pattern 2,1)] [==>(Pattern 2,2)]	[1] [2]
	4	NICMOS J	ANY	NIC3, MULTIACCUM, NIC3-FIX	F110W	SAMP-SEQ=SPARS 128; NSAMP=7		Pattern 1-4 (1) Prime + Parallel Group 1-4	[==>(Pattern 1,1)] [==>(Pattern 1,2)] [==>(Pattern 2,1)] [==>(Pattern 2,2)]	[1] [2]

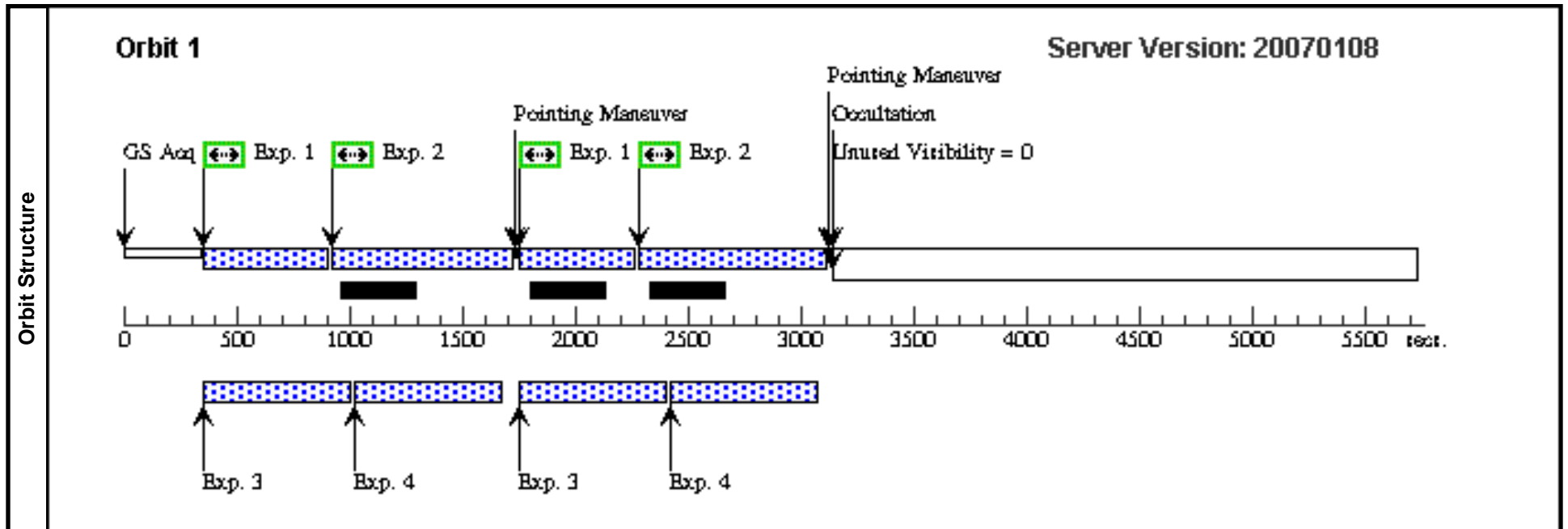


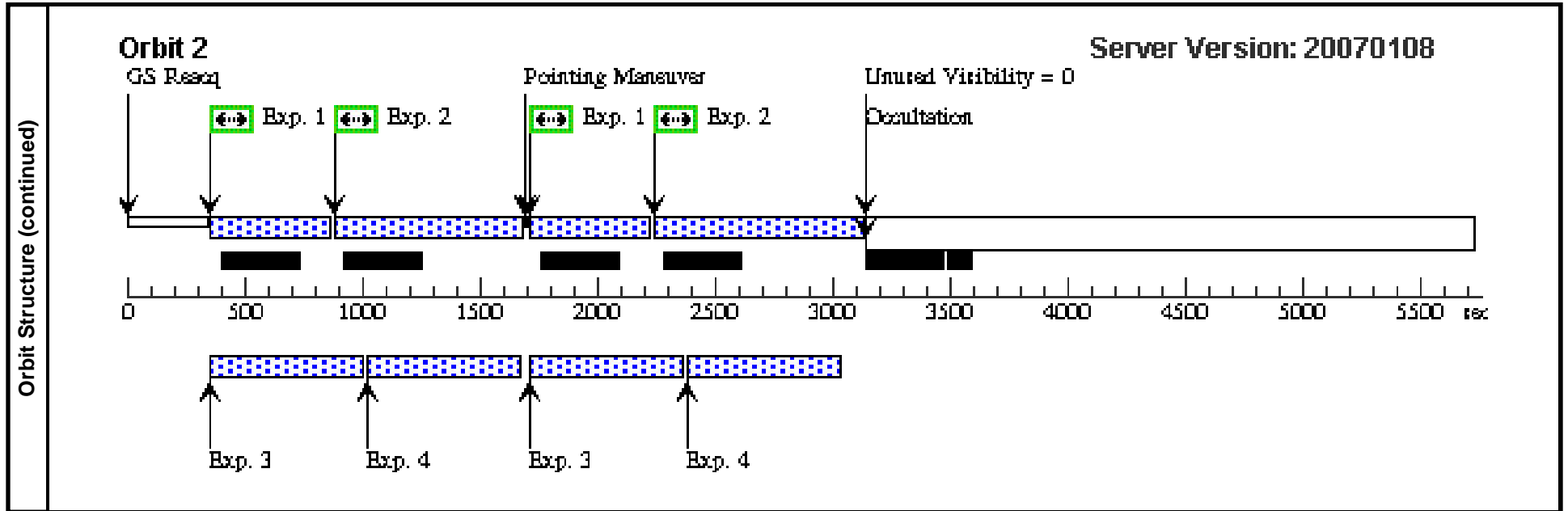


Proposal 10861 - Visit 09 - An ACS Treasury Survey of the Coma cluster of galaxies

Fri Jan 26 02:17:44 GMT 2007

Visit	Proposal 10861, Visit 09, completed Diagnostic Status: No Diagnostics Scientific Instruments: ACS/WFC, NIC3 Special Requirements: SAME ORIENT AS 01									
	Patterns	#	Primary Pattern			Secondary Pattern			Exposures	
		(1)	Pattern Type=ACS-WFC-DITHER-LINE Purpose=DITHER Number Of Points=2 Point Spacing=3.011 Line Spacing=	Coordinate Frame=POS-TARG Pattern Orientation=85.3 Angle Between Sides= Center Pattern=false	Pattern Type=LINE Purpose=DITHER Number Of Points=2 Point Spacing=0.241 Line Spacing=	Coordinate Frame=POS-TARG Pattern Orientation=22.3 Angle Between Sides= Center Pattern=false	(1-4)			
Fixed Targets	#	Name	Target Coordinates	Targ. Coord. Corrections	Fluxes	Miscellaneous				
	(17)	COMA2-2	RA: 13 00 26.7000 (195.1112500d) Dec: +28 01 43.00 (28.02861d) Equinox: J2000		V=22.0	Reference Frame: ICRS				
Exposures	#	Label	Target	Config,Mode,Aperture	Spectral Els.	Opt. Params.	Special Reqs.	Groups	Exp. Time/[Actual Dur.]	Orbit
	1	F814	(17) COMA2-2	ACS/WFC, ACCUM, WFC	F814W	CR-SPLIT=NO		Pattern 1-4 (1) Prime + Parallel Group 1-4	350.0 Secs [==>(Pattern 1,1)] [==>(Pattern 1,2)] [==>(Pattern 2,1)] [==>(Pattern 2,2)]	[1] [2]
	2	F475	(17) COMA2-2	ACS/WFC, ACCUM, WFC	F475W	CR-SPLIT=NO		Pattern 1-4 (1) Prime + Parallel Group 1-4	640.0 Secs [==>(Pattern 1,1)] [==>665.0 Secs (Pattern 1,2)] [==>(Pattern 2,1)] [==>732.0 Secs (Pattern 2,2)]	[1] [2]
	3	NICMOS H	ANY	NIC3, MULTIACCUM, NIC3	F160W	SAMP-SEQ=SPARS 128; NSAMP=7		Pattern 1-4 (1) Prime + Parallel Group 1-4	[==>(Pattern 1,1)] [==>(Pattern 1,2)] [==>(Pattern 2,1)] [==>(Pattern 2,2)]	[1] [2]
	4	NICMOS J	ANY	NIC3, MULTIACCUM, NIC3-FIX	F110W	SAMP-SEQ=SPARS 128; NSAMP=7		Pattern 1-4 (1) Prime + Parallel Group 1-4	[==>(Pattern 1,1)] [==>(Pattern 1,2)] [==>(Pattern 2,1)] [==>(Pattern 2,2)]	[1] [2]

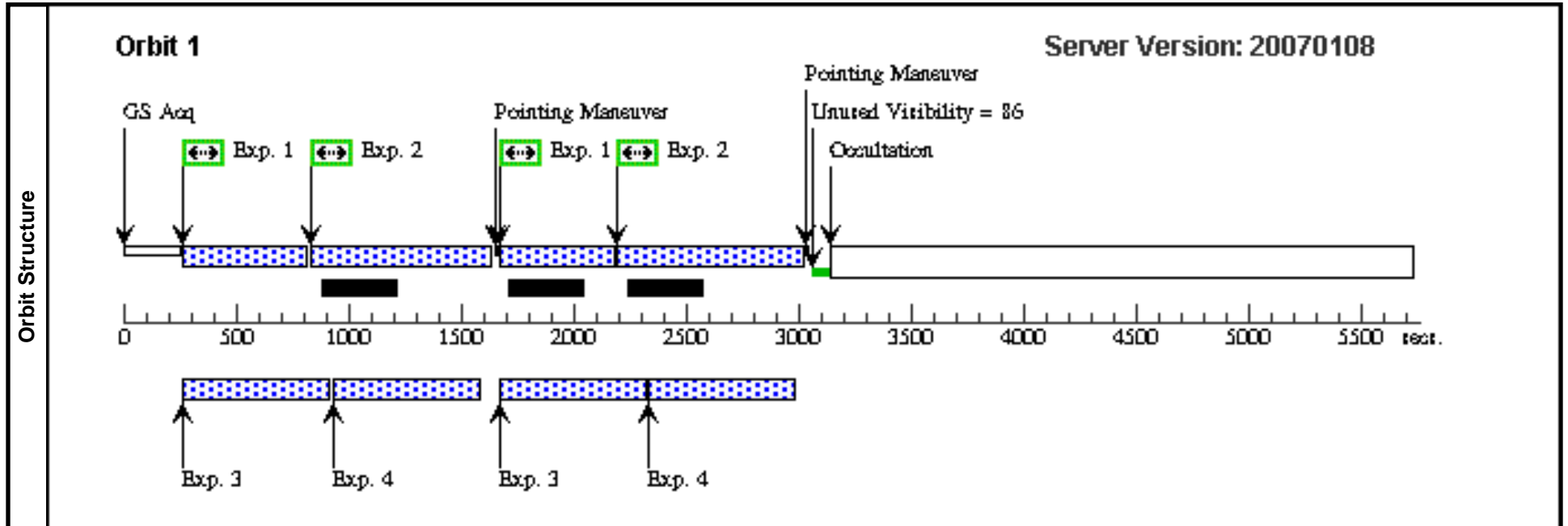


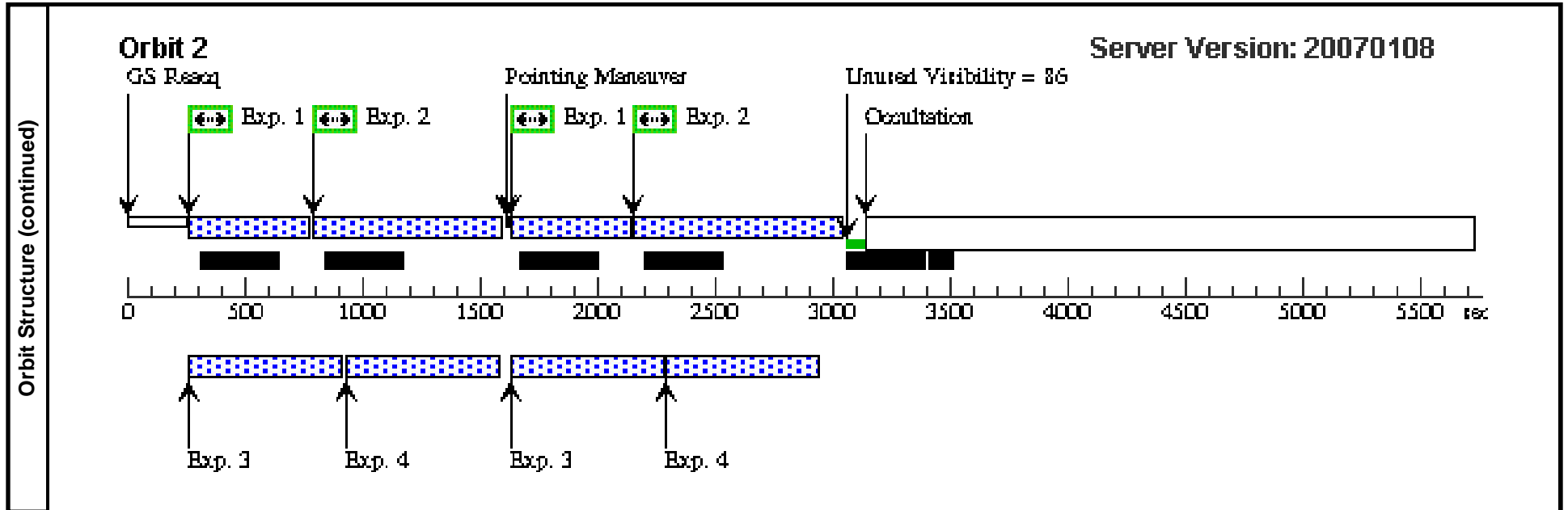


Proposal 10861 - Visit 10 - An ACS Treasury Survey of the Coma cluster of galaxies

Fri Jan 26 02:17:44 GMT 2007

Visit	Proposal 10861, Visit 10, completed Diagnostic Status: No Diagnostics Scientific Instruments: ACS/WFC, NIC3 Special Requirements: SAME ORIENT AS 01									
	Patterns	#	Primary Pattern			Secondary Pattern			Exposures	
		(1)	Pattern Type=ACS-WFC-DITHER-LINE Purpose=DITHER Number Of Points=2 Point Spacing=3.011 Line Spacing=	Coordinate Frame=POS-TARG Pattern Orientation=85.3 Angle Between Sides= Center Pattern=false	Pattern Type=LINE Purpose=DITHER Number Of Points=2 Point Spacing=0.241 Line Spacing=	Coordinate Frame=POS-TARG Pattern Orientation=22.3 Angle Between Sides= Center Pattern=false	(1-4)			
Fixed Targets	#	Name	Target Coordinates	Targ. Coord. Corrections	Fluxes	Miscellaneous				
	(16)	COMA2-3	RA: 13 00 11.1000 (195.0462500d) Dec: +28 01 43.00 (28.02861d) Equinox: J2000		V=22.0	Reference Frame: ICRS				
Exposures	#	Label	Target	Config,Mode,Aperture	Spectral Els.	Opt. Params.	Special Reqs.	Groups	Exp. Time/[Actual Dur.]	Orbit
	1	F814	(16) COMA2-3	ACS/WFC, ACCUM, WFC	F814W	CR-SPLIT=NO	GS ACQ SCENARI O SINGLE	Pattern 1-4 (1) Prime + Parallel Group 1-4	350.0 Secs [==>(Pattern 1,1)] [==>(Pattern 1,2)] [==>(Pattern 2,1)] [==>(Pattern 2,2)]	[1] [2]
	2	F475	(16) COMA2-3	ACS/WFC, ACCUM, WFC	F475W	CR-SPLIT=NO		Pattern 1-4 (1) Prime + Parallel Group 1-4	640.0 Secs [==>(Pattern 1,1)] [==>665.0 Secs (Pattern 1,2)] [==>(Pattern 2,1)] [==>732.0 Secs (Pattern 2,2)]	[1] [2]
	3	NICMOS H	ANY	NIC3, MULTIACCUM, NIC3	F160W	SAMP-SEQ=SPARS 128; NSAMP=7		Pattern 1-4 (1) Prime + Parallel Group 1-4	[==>(Pattern 1,1)] [==>(Pattern 1,2)] [==>(Pattern 2,1)] [==>(Pattern 2,2)]	[1] [2]
	4	NICMOS J	ANY	NIC3, MULTIACCUM, NIC3-FIX	F110W	SAMP-SEQ=SPARS 128; NSAMP=7		Pattern 1-4 (1) Prime + Parallel Group 1-4	[==>(Pattern 1,1)] [==>(Pattern 1,2)] [==>(Pattern 2,1)] [==>(Pattern 2,2)]	[1] [2]

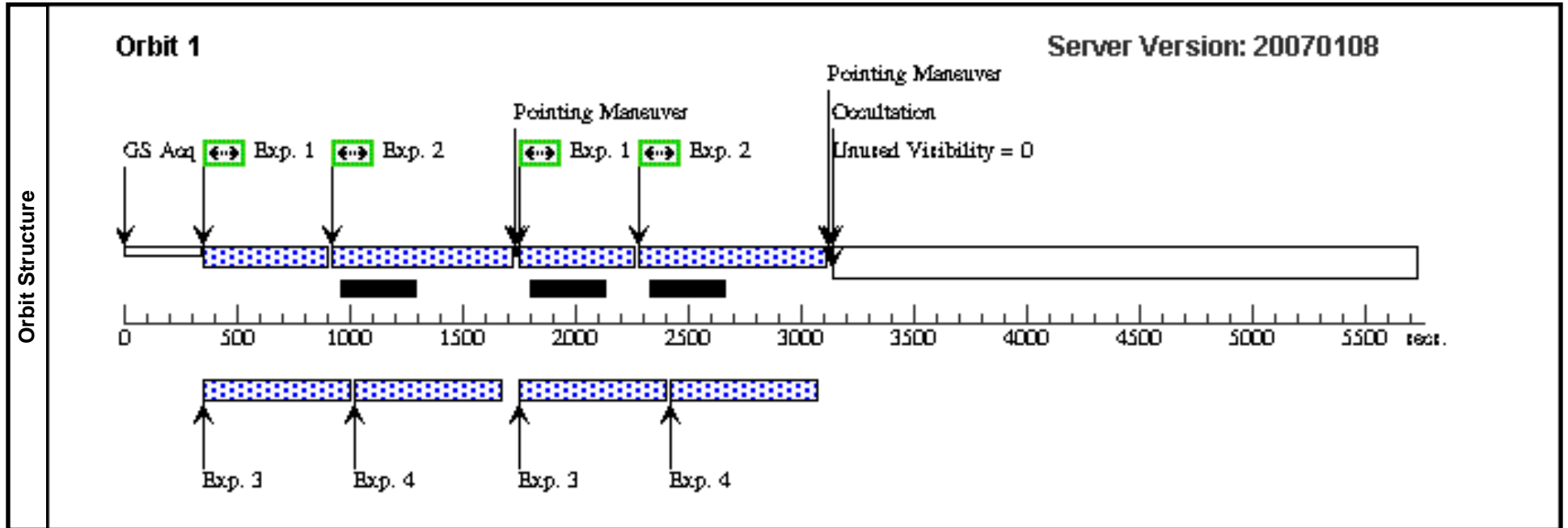


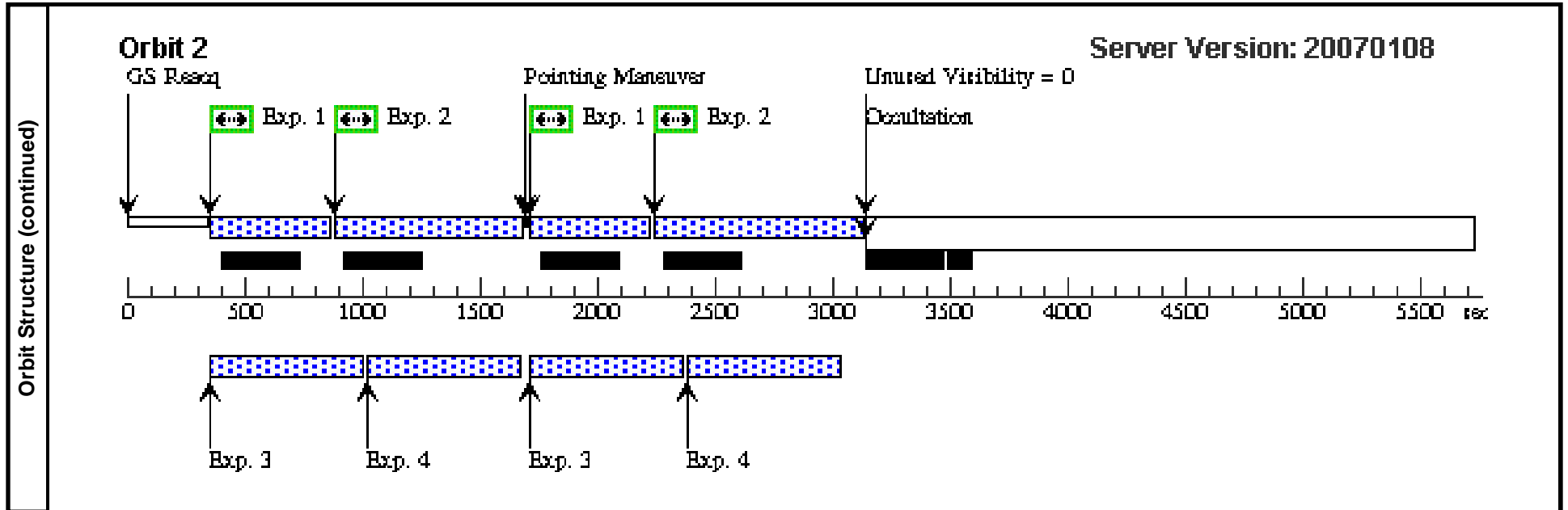


Proposal 10861 - Visit 11 - An ACS Treasury Survey of the Coma cluster of galaxies

Fri Jan 26 02:17:45 GMT 2007

Visit	Proposal 10861, Visit 11, failed Diagnostic Status: No Diagnostics Scientific Instruments: ACS/WFC, NIC3 Special Requirements: SAME ORIENT AS 01									
	Patterns	#	Primary Pattern			Secondary Pattern			Exposures	
		(1)	Pattern Type=ACS-WFC-DITHER-LINE Purpose=DITHER Number Of Points=2 Point Spacing=3.011 Line Spacing=	Coordinate Frame=POS-TARG Pattern Orientation=85.3 Angle Between Sides= Center Pattern=false	Pattern Type=LINE Purpose=DITHER Number Of Points=2 Point Spacing=0.241 Line Spacing=	Coordinate Frame=POS-TARG Pattern Orientation=22.3 Angle Between Sides= Center Pattern=false	(1-4)			
Fixed Targets	#	Name	Target Coordinates	Targ. Coord. Corrections	Fluxes	Miscellaneous				
	(15)	COMA2-4	RA: 12 59 55.5000 (194.9812500d) Dec: +28 01 43.00 (28.02861d) Equinox: J2000		V=22.0	Reference Frame: ICRS				
Exposures	#	Label	Target	Config,Mode,Aperture	Spectral Els.	Opt. Params.	Special Reqs.	Groups	Exp. Time/[Actual Dur.]	Orbit
	1	F814	(15) COMA2-4	ACS/WFC, ACCUM, WFC	F814W	CR-SPLIT=NO		Pattern 1-4 (1) Prime + Parallel Group 1-4	350.0 Secs [==>(Pattern 1,1)] [==>(Pattern 1,2)] [==>(Pattern 2,1)] [==>(Pattern 2,2)]	[1] [2]
	2	F475	(15) COMA2-4	ACS/WFC, ACCUM, WFC	F475W	CR-SPLIT=NO		Pattern 1-4 (1) Prime + Parallel Group 1-4	640.0 Secs [==>(Pattern 1,1)] [==>665.0 Secs (Pattern 1,2)] [==>(Pattern 2,1)] [==>732.0 Secs (Pattern 2,2)]	[1] [2]
	3	NICMOS H	ANY	NIC3, MULTIACCUM, NIC3	F160W	SAMP-SEQ=SPARS 128; NSAMP=7		Pattern 1-4 (1) Prime + Parallel Group 1-4	[==>(Pattern 1,1)] [==>(Pattern 1,2)] [==>(Pattern 2,1)] [==>(Pattern 2,2)]	[1] [2]
	4	NICMOS J	ANY	NIC3, MULTIACCUM, NIC3-FIX	F110W	SAMP-SEQ=SPARS 128; NSAMP=7		Pattern 1-4 (1) Prime + Parallel Group 1-4	[==>(Pattern 1,1)] [==>(Pattern 1,2)] [==>(Pattern 2,1)] [==>(Pattern 2,2)]	[1] [2]

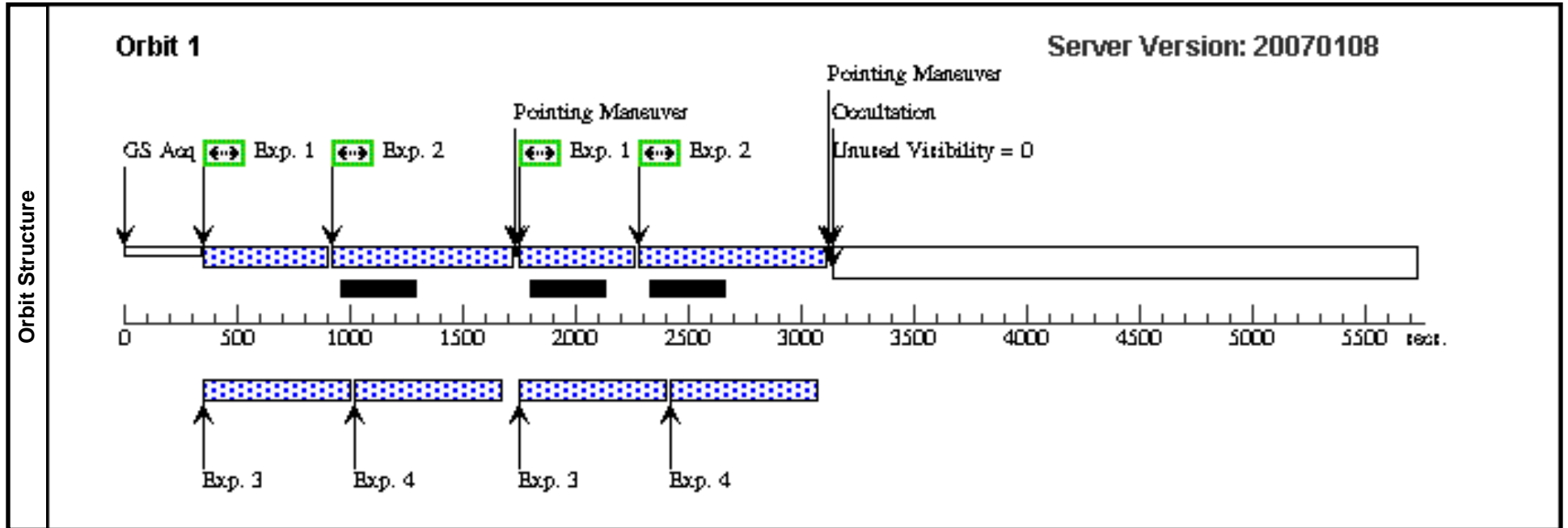


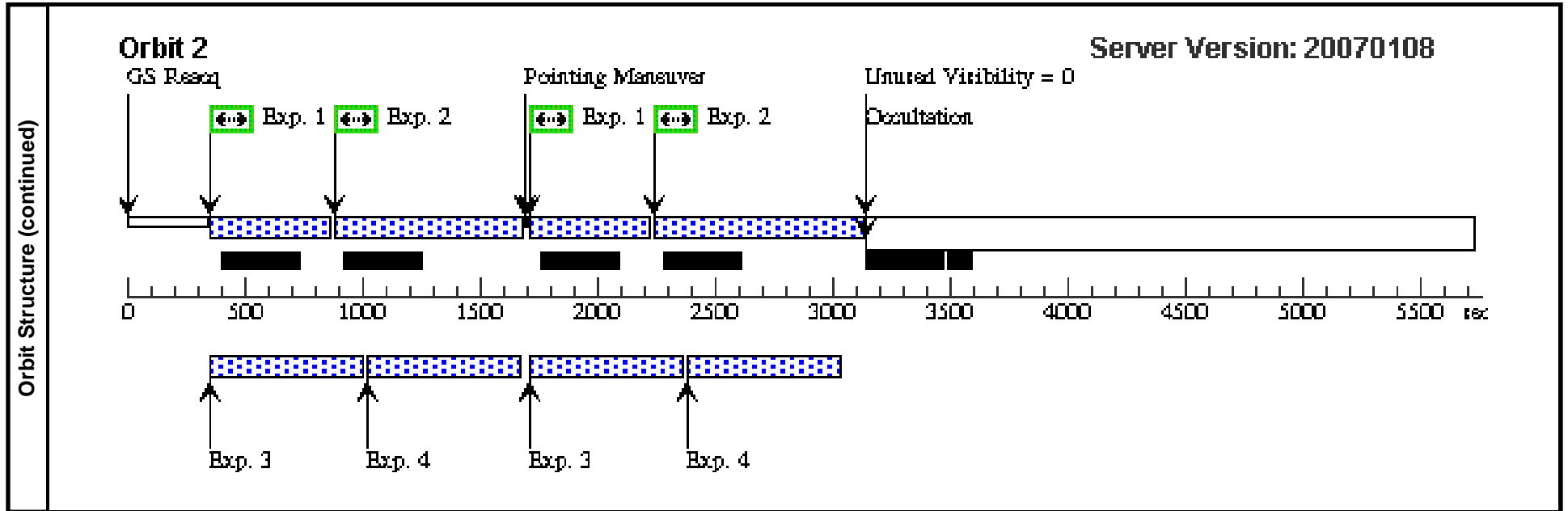


Proposal 10861 - Visit 12 - An ACS Treasury Survey of the Coma cluster of galaxies

Fri Jan 26 02:17:46 GMT 2007

Visit	Proposal 10861, Visit 12, completed Diagnostic Status: No Diagnostics Scientific Instruments: ACS/WFC, NIC3 Special Requirements: SAME ORIENT AS 01									
	Patterns	#	Primary Pattern	Secondary Pattern	Exposures					
		(1)	Pattern Type=ACS-WFC-DITHER-LINE Purpose=DITHER Number Of Points=2 Point Spacing=3.011 Line Spacing=	Coordinate Frame=POS-TARG Pattern Orientation=85.3 Angle Between Sides= Center Pattern=false	Pattern Type=LINE Purpose=DITHER Number Of Points=2 Point Spacing=0.241 Line Spacing=	Coordinate Frame=POS-TARG Pattern Orientation=22.3 Angle Between Sides= Center Pattern=false	(1-4)			
Fixed Targets	#	Name	Target Coordinates	Targ. Coord. Corrections	Fluxes	Miscellaneous				
	(19)	COMA2-5	RA: 12 59 39.9000 (194.9162500d) Dec: +28 01 43.00 (28.02861d) Equinox: J2000		V=22.0	Reference Frame: ICRS				
Exposures	#	Label	Target	Config,Mode,Aperture	Spectral Els.	Opt. Params.	Special Reqs.	Groups	Exp. Time/[Actual Dur.]	Orbit
	1	F814	(19) COMA2-5	ACS/WFC, ACCUM, WFC	F814W	CR-SPLIT=NO		Pattern 1-4 (1) Prime + Parallel Group 1-4	350.0 Secs	
									[=>(Pattern 1,1)]	[1]
									[=>(Pattern 1,2)]	
									[=>(Pattern 2,1)]	[2]
									[=>(Pattern 2,2)]	
	2	F475	(19) COMA2-5	ACS/WFC, ACCUM, WFC	F475W	CR-SPLIT=NO		Pattern 1-4 (1) Prime + Parallel Group 1-4	640.0 Secs	
									[=>(Pattern 1,1)]	[1]
									[=>665.0 Secs (Pattern 1,2)]	
									[=>(Pattern 2,1)]	[2]
									[=>732.0 Secs (Pattern 2,2)]	
	3	NICMOS H	ANY	NIC3, MULTIACCUM, NIC3	F160W	SAMP-SEQ=SPARS 128;	NSAMP=7	Pattern 1-4 (1) Prime + Parallel Group 1-4		
									[=>(Pattern 1,1)]	[1]
									[=>(Pattern 1,2)]	
									[=>(Pattern 2,1)]	[2]
									[=>(Pattern 2,2)]	
4	NICMOS J	ANY	NIC3, MULTIACCUM, NIC3-FIX	F110W	SAMP-SEQ=SPARS 128;	NSAMP=7	Pattern 1-4 (1) Prime + Parallel Group 1-4			
								[=>(Pattern 1,1)]	[1]	
								[=>(Pattern 1,2)]		
								[=>(Pattern 2,1)]	[2]	
								[=>(Pattern 2,2)]		

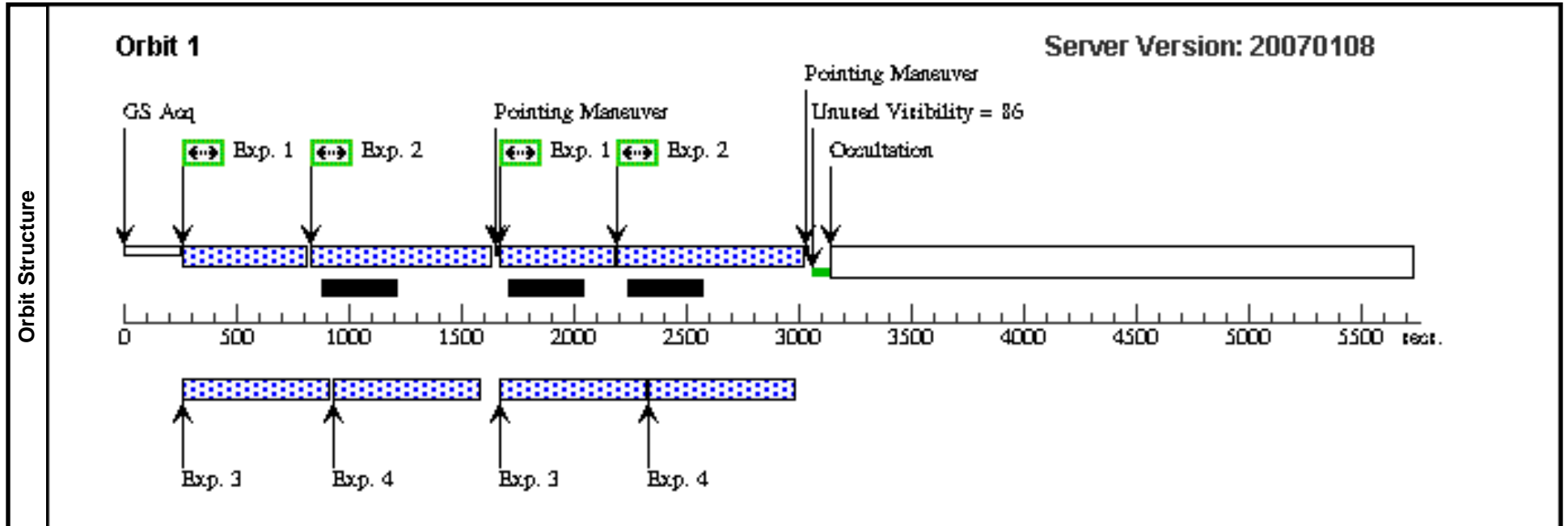


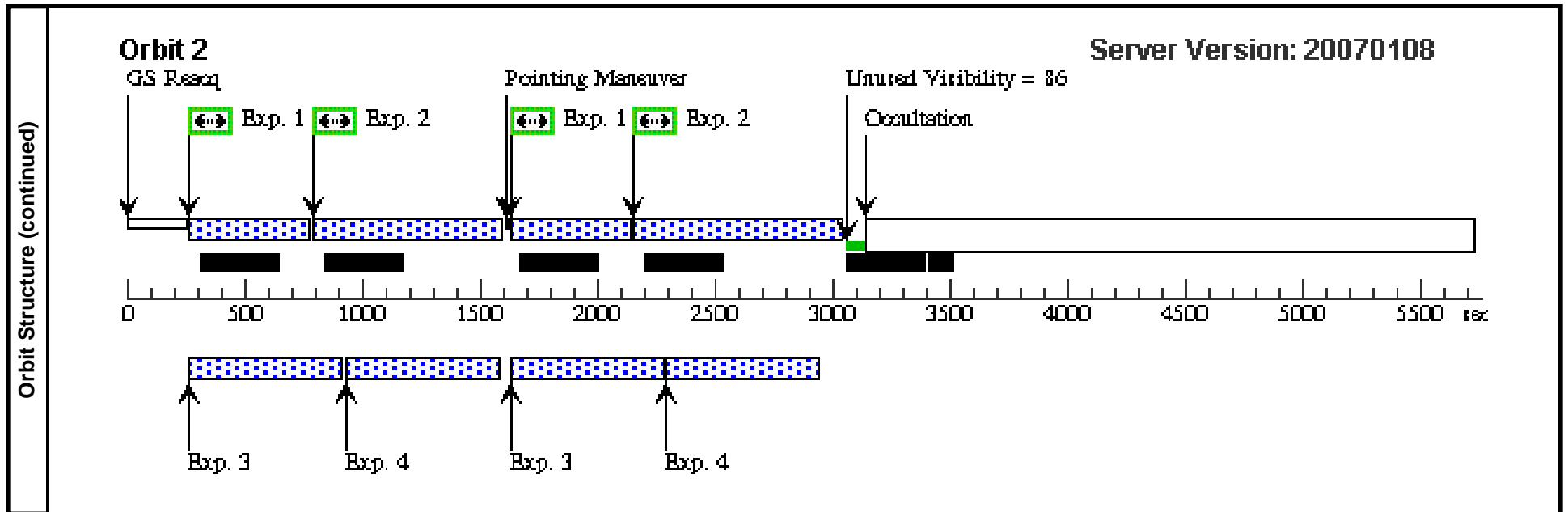


Proposal 10861 - Visit 13 - An ACS Treasury Survey of the Coma cluster of galaxies

Fri Jan 26 02:17:46 GMT 2007

Visit	Proposal 10861, Visit 13, completed Diagnostic Status: No Diagnostics Scientific Instruments: ACS/WFC, NIC3 Special Requirements: ORIENT 282.0D TO 282.0 D									
	Patterns	#	Primary Pattern			Secondary Pattern			Exposures	
		(1)	Pattern Type=ACS-WFC-DITHER-LINE Purpose=DITHER Number Of Points=2 Point Spacing=3.011 Line Spacing=	Coordinate Frame=POS-TARG Pattern Orientation=85.3 Angle Between Sides= Center Pattern=false	Pattern Type=LINE Purpose=DITHER Number Of Points=2 Point Spacing=0.241 Line Spacing=	Coordinate Frame=POS-TARG Pattern Orientation=22.3 Angle Between Sides= Center Pattern=false	(1-4)			
Fixed Targets	#	Name	Target Coordinates	Targ. Coord. Corrections	Fluxes	Miscellaneous				
	(20)	COMA2-6	RA: 12 59 24.3000 (194.8512500d) Dec: +28 01 43.00 (28.02861d) Equinox: J2000		V=22.0	Reference Frame: ICRS				
Exposures	#	Label	Target	Config,Mode,Aperture	Spectral Els.	Opt. Params.	Special Reqs.	Groups	Exp. Time/[Actual Dur.]	Orbit
	1	F814	(20) COMA2-6	ACS/WFC, ACCUM, WFC	F814W	CR-SPLIT=NO	GS ACQ SCENARI O SINGLE	Pattern 1-4 (1) Prime + Parallel Group 1-4	350.0 Secs [==>(Pattern 1,1)] [==>(Pattern 1,2)] [==>(Pattern 2,1)] [==>(Pattern 2,2)]	[1] [2]
	2	F475	(20) COMA2-6	ACS/WFC, ACCUM, WFC	F475W	CR-SPLIT=NO		Pattern 1-4 (1) Prime + Parallel Group 1-4	640.0 Secs [==>(Pattern 1,1)] [==>665.0 Secs (Pattern 1,2)] [==>(Pattern 2,1)] [==>732.0 Secs (Pattern 2,2)]	[1] [2]
	3	NICMOS H	ANY	NIC3, MULTIACCUM, NIC3	F160W	SAMP-SEQ=SPARS 128; NSAMP=7		Pattern 1-4 (1) Prime + Parallel Group 1-4	[==>(Pattern 1,1)] [==>(Pattern 1,2)] [==>(Pattern 2,1)] [==>(Pattern 2,2)]	[1] [2]
	4	NICMOS J	ANY	NIC3, MULTIACCUM, NIC3-FIX	F110W	SAMP-SEQ=SPARS 128; NSAMP=7		Pattern 1-4 (1) Prime + Parallel Group 1-4	[==>(Pattern 1,1)] [==>(Pattern 1,2)] [==>(Pattern 2,1)] [==>(Pattern 2,2)]	[1] [2]

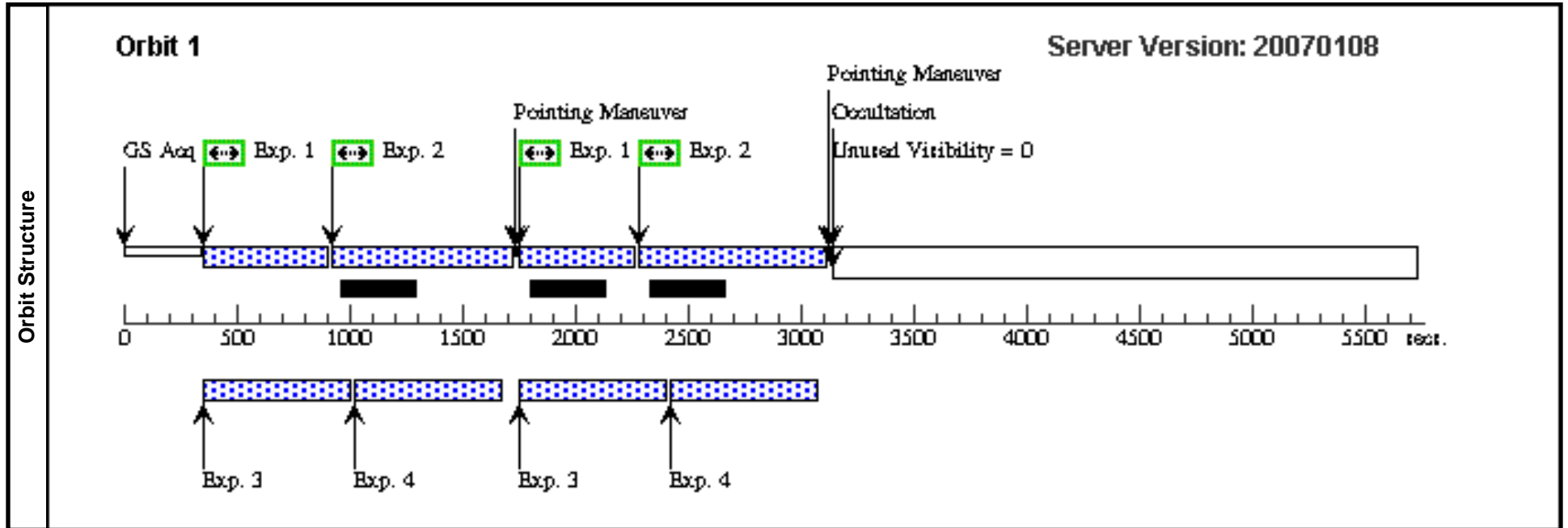


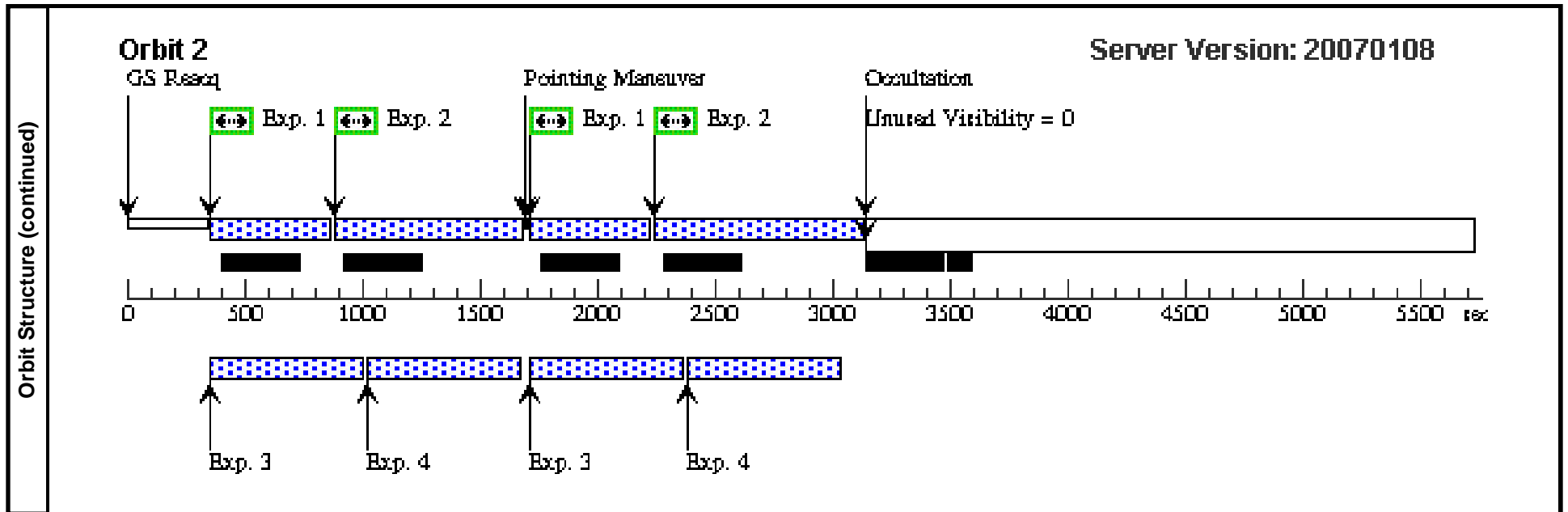


Proposal 10861 - Visit 14 - An ACS Treasury Survey of the Coma cluster of galaxies

Fri Jan 26 02:17:46 GMT 2007

Visit	Proposal 10861, Visit 14, completed Diagnostic Status: No Diagnostics Scientific Instruments: ACS/WFC, NIC3 Special Requirements: SAME ORIENT AS 01									
	Patterns	#	Primary Pattern			Secondary Pattern			Exposures	
		(1)	Pattern Type=ACS-WFC-DITHER-LINE Purpose=DITHER Number Of Points=2 Point Spacing=3.011 Line Spacing=	Coordinate Frame=POS-TARG Pattern Orientation=85.3 Angle Between Sides= Center Pattern=false	Pattern Type=LINE Purpose=DITHER Number Of Points=2 Point Spacing=0.241 Line Spacing=	Coordinate Frame=POS-TARG Pattern Orientation=22.3 Angle Between Sides= Center Pattern=false	(1-4)			
Fixed Targets	#	Name	Target Coordinates	Targ. Coord. Corrections	Fluxes	Miscellaneous				
	(21)	COMA2-7	RA: 12 59 8.7000 (194.7862500d) Dec: +28 01 43.00 (28.02861d) Equinox: J2000		V=22.0	Reference Frame: ICRS				
Exposures	#	Label	Target	Config,Mode,Aperture	Spectral Els.	Opt. Params.	Special Reqs.	Groups	Exp. Time/[Actual Dur.]	Orbit
	1	F814	(21) COMA2-7	ACS/WFC, ACCUM, WFC	F814W	CR-SPLIT=NO		Pattern 1-4 (1) Prime + Parallel Group 1-4	350.0 Secs [==>(Pattern 1,1)] [==>(Pattern 1,2)] [==>(Pattern 2,1)] [==>(Pattern 2,2)]	[1] [2]
	2	F475	(21) COMA2-7	ACS/WFC, ACCUM, WFC	F475W	CR-SPLIT=NO		Pattern 1-4 (1) Prime + Parallel Group 1-4	640.0 Secs [==>(Pattern 1,1)] [==>665.0 Secs (Pattern 1,2)] [==>(Pattern 2,1)] [==>732.0 Secs (Pattern 2,2)]	[1] [2]
	3	NICMOS H	ANY	NIC3, MULTIACCUM, NIC3	F160W	SAMP-SEQ=SPARS 128; NSAMP=7		Pattern 1-4 (1) Prime + Parallel Group 1-4	[==>(Pattern 1,1)] [==>(Pattern 1,2)] [==>(Pattern 2,1)] [==>(Pattern 2,2)]	[1] [2]
	4	NICMOS J	ANY	NIC3, MULTIACCUM, NIC3-FIX	F110W	SAMP-SEQ=SPARS 128; NSAMP=7		Pattern 1-4 (1) Prime + Parallel Group 1-4	[==>(Pattern 1,1)] [==>(Pattern 1,2)] [==>(Pattern 2,1)] [==>(Pattern 2,2)]	[1] [2]

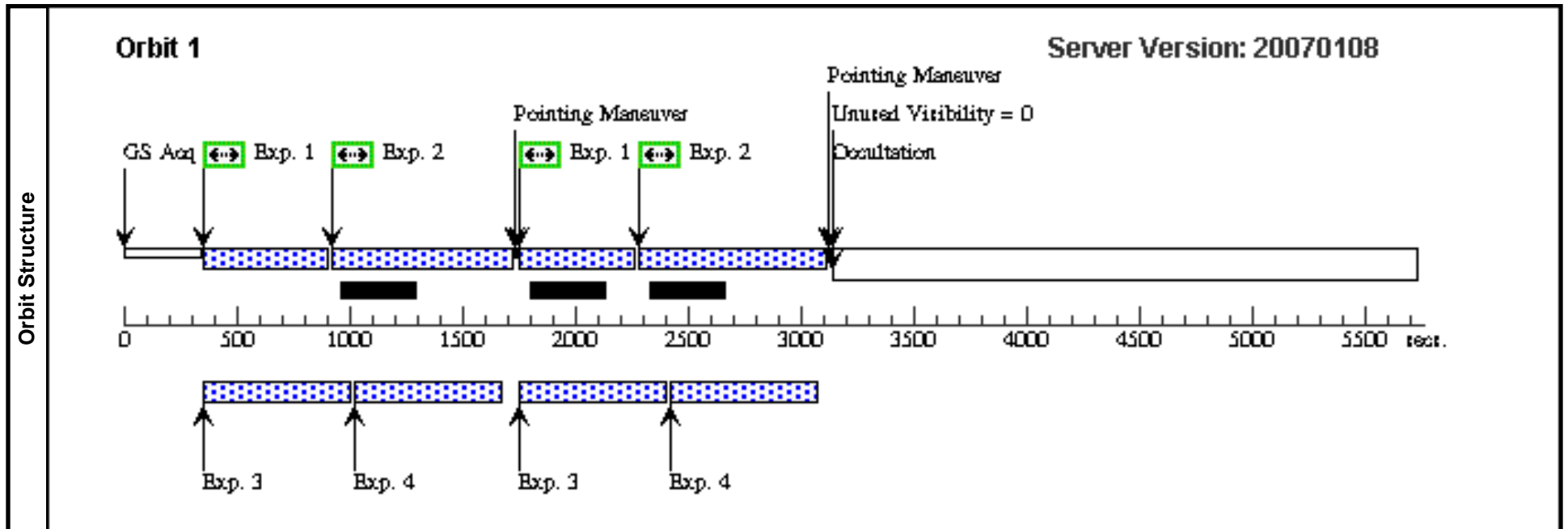


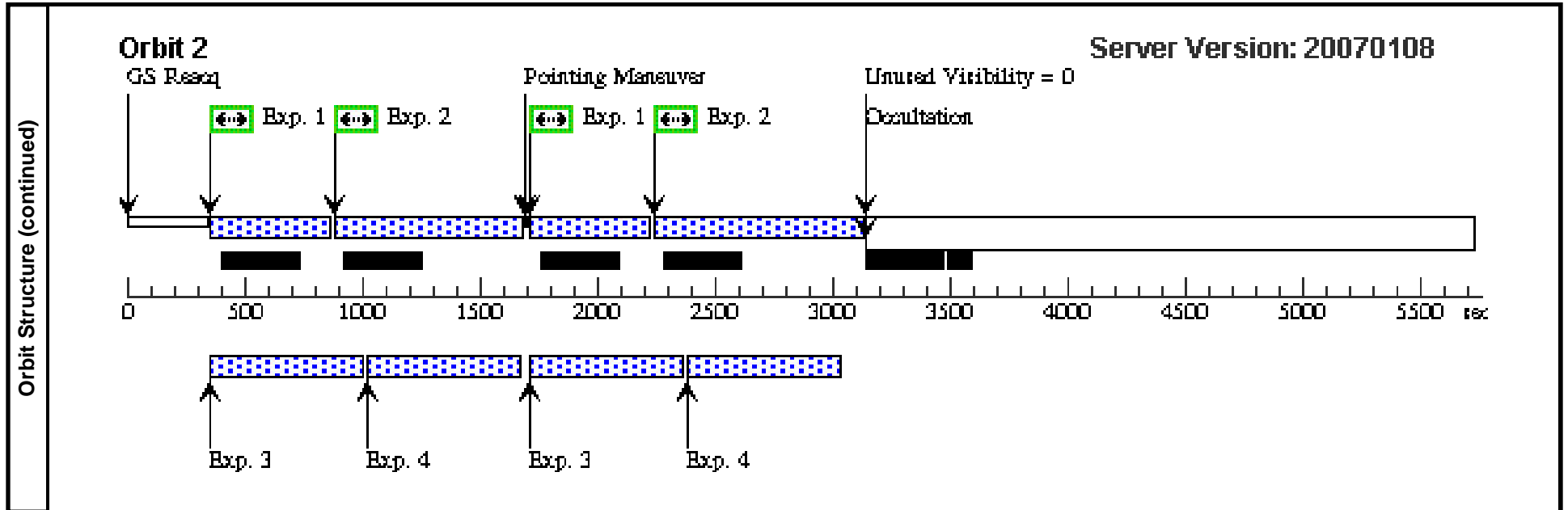


Proposal 10861 - Visit 15 - An ACS Treasury Survey of the Coma cluster of galaxies

Fri Jan 26 02:17:47 GMT 2007

Visit	Proposal 10861, Visit 15, scheduling Diagnostic Status: No Diagnostics Scientific Instruments: ACS/WFC, NIC3 Special Requirements: SAME ORIENT AS 01									
	Patterns	#	Primary Pattern			Secondary Pattern			Exposures	
		(1)	Pattern Type=ACS-WFC-DITHER-LINE Purpose=DITHER Number Of Points=2 Point Spacing=3.011 Line Spacing=	Coordinate Frame=POS-TARG Pattern Orientation=85.3 Angle Between Sides= Center Pattern=false	Pattern Type=LINE Purpose=DITHER Number Of Points=2 Point Spacing=0.241 Line Spacing=	Coordinate Frame=POS-TARG Pattern Orientation=22.3 Angle Between Sides= Center Pattern=false	(1-4)			
Fixed Targets	#	Name	Target Coordinates	Targ. Coord. Corrections	Fluxes	Miscellaneous				
	(11)	COMA3-1	RA: 13 00 38.7000 (195.1612500d) Dec: +27 58 32.00 (27.97556d) Equinox: J2000		V=22.0	Reference Frame: ICRS				
Exposures	#	Label	Target	Config,Mode,Aperture	Spectral Els.	Opt. Params.	Special Reqs.	Groups	Exp. Time/[Actual Dur.]	Orbit
	1	F814	(11) COMA3-1	ACS/WFC, ACCUM, WFC	F814W	CR-SPLIT=NO		Pattern 1-4 (1) Prime + Parallel Group 1-4	350.0 Secs [==>(Pattern 1,1)] [==>(Pattern 1,2)] [==>(Pattern 2,1)] [==>(Pattern 2,2)]	[1] [2]
	2	F475	(11) COMA3-1	ACS/WFC, ACCUM, WFC	F475W	CR-SPLIT=NO		Pattern 1-4 (1) Prime + Parallel Group 1-4	640.0 Secs [==>(Pattern 1,1)] [==>665.0 Secs (Pattern 1,2)] [==>(Pattern 2,1)] [==>732.0 Secs (Pattern 2,2)]	[1] [2]
	3	NICMOS H	ANY	NIC3, MULTIACCUM, NIC3	F160W	SAMP-SEQ=SPARS 128; NSAMP=7		Pattern 1-4 (1) Prime + Parallel Group 1-4	[==>(Pattern 1,1)] [==>(Pattern 1,2)] [==>(Pattern 2,1)] [==>(Pattern 2,2)]	[1] [2]
	4	NICMOS J	ANY	NIC3, MULTIACCUM, NIC3-FIX	F110W	SAMP-SEQ=SPARS 128; NSAMP=7		Pattern 1-4 (1) Prime + Parallel Group 1-4	[==>(Pattern 1,1)] [==>(Pattern 1,2)] [==>(Pattern 2,1)] [==>(Pattern 2,2)]	[1] [2]

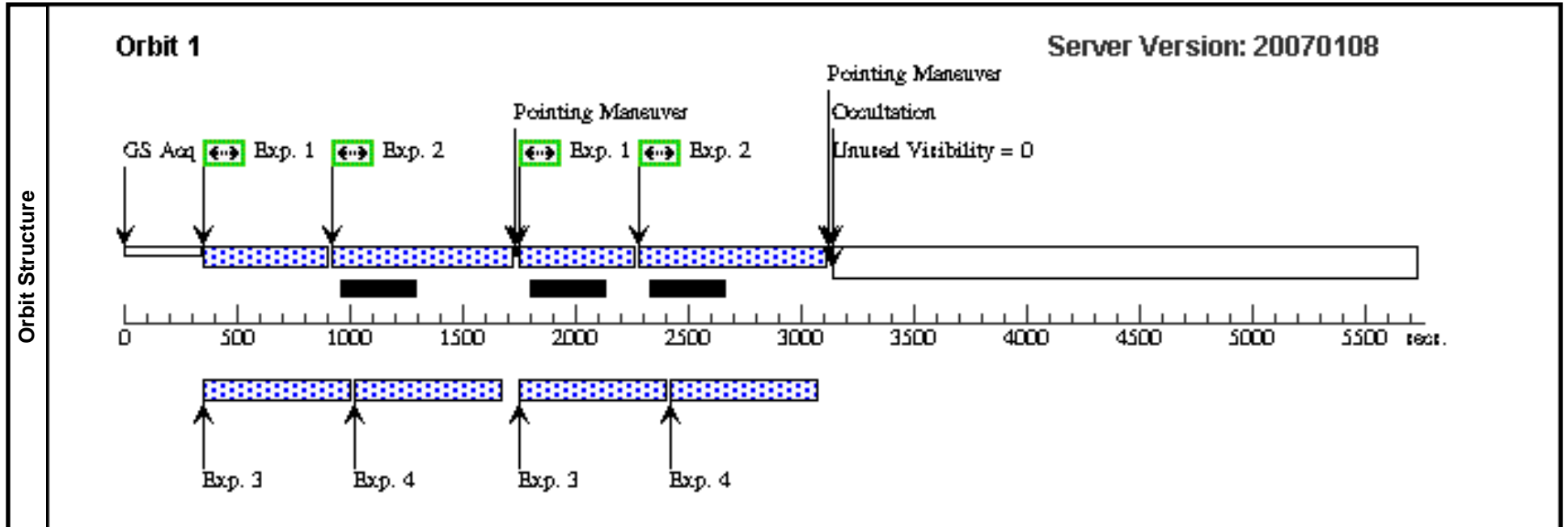


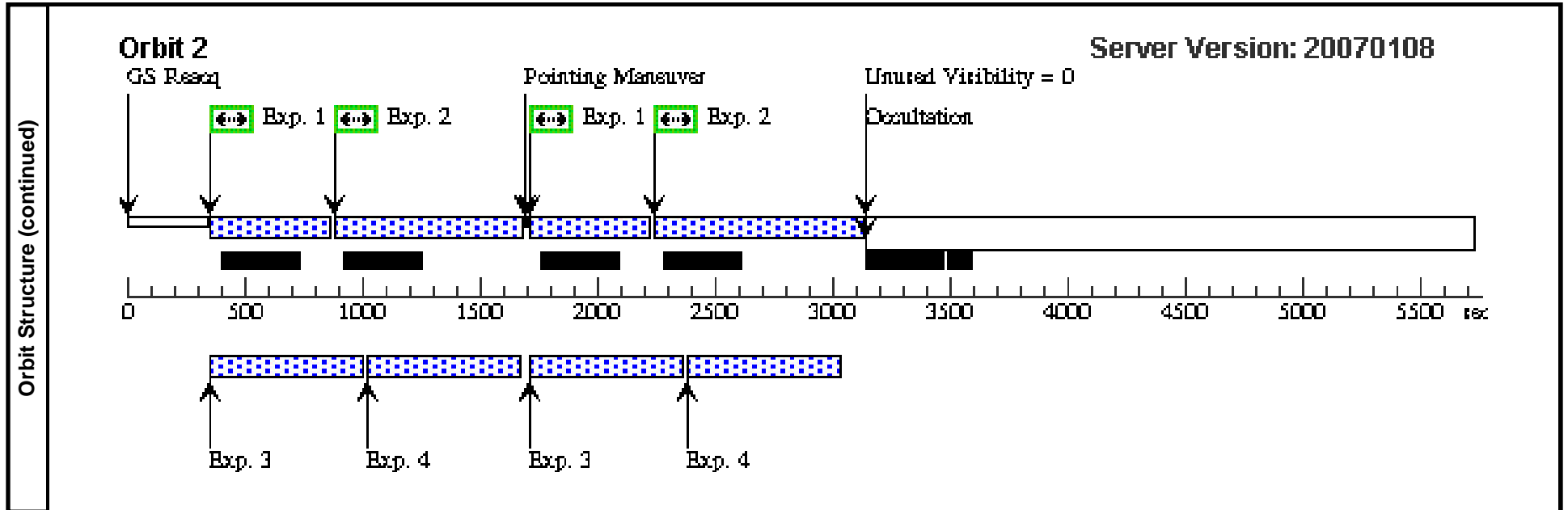


Proposal 10861 - Visit 16 - An ACS Treasury Survey of the Coma cluster of galaxies

Fri Jan 26 02:17:47 GMT 2007

Visit	Proposal 10861, Visit 16, scheduling Diagnostic Status: No Diagnostics Scientific Instruments: ACS/WFC, NIC3 Special Requirements: SAME ORIENT AS 01									
	Patterns	#	Primary Pattern			Secondary Pattern			Exposures	
		(1)	Pattern Type=ACS-WFC-DITHER-LINE Purpose=DITHER Number Of Points=2 Point Spacing=3.011 Line Spacing=	Coordinate Frame=POS-TARG Pattern Orientation=85.3 Angle Between Sides= Center Pattern=false	Pattern Type=LINE Purpose=DITHER Number Of Points=2 Point Spacing=0.241 Line Spacing=	Coordinate Frame=POS-TARG Pattern Orientation=22.3 Angle Between Sides= Center Pattern=false	(1-4)			
Fixed Targets	#	Name	Target Coordinates	Targ. Coord. Corrections	Fluxes	Miscellaneous				
	(10)	COMA3-2	RA: 13 00 23.1000 (195.0962500d) Dec: +27 58 32.00 (27.97556d) Equinox: J2000		V=22.0	Reference Frame: ICRS				
Exposures	#	Label	Target	Config,Mode,Aperture	Spectral Els.	Opt. Params.	Special Reqs.	Groups	Exp. Time/[Actual Dur.]	Orbit
	1	F814	(10) COMA3-2	ACS/WFC, ACCUM, WFC	F814W	CR-SPLIT=NO		Pattern 1-4 (1) Prime + Parallel Group 1-4	350.0 Secs [==>(Pattern 1,1)] [==>(Pattern 1,2)] [==>(Pattern 2,1)] [==>(Pattern 2,2)]	[1] [2]
	2	F475	(10) COMA3-2	ACS/WFC, ACCUM, WFC	F475W	CR-SPLIT=NO		Pattern 1-4 (1) Prime + Parallel Group 1-4	640.0 Secs [==>(Pattern 1,1)] [==>665.0 Secs (Pattern 1,2)] [==>(Pattern 2,1)] [==>732.0 Secs (Pattern 2,2)]	[1] [2]
	3	NICMOS H	ANY	NIC3, MULTIACCUM, NIC3	F160W	SAMP-SEQ=SPARS 128; NSAMP=7		Pattern 1-4 (1) Prime + Parallel Group 1-4	[==>(Pattern 1,1)] [==>(Pattern 1,2)] [==>(Pattern 2,1)] [==>(Pattern 2,2)]	[1] [2]
	4	NICMOS J	ANY	NIC3, MULTIACCUM, NIC3-FIX	F110W	SAMP-SEQ=SPARS 128; NSAMP=7		Pattern 1-4 (1) Prime + Parallel Group 1-4	[==>(Pattern 1,1)] [==>(Pattern 1,2)] [==>(Pattern 2,1)] [==>(Pattern 2,2)]	[1] [2]

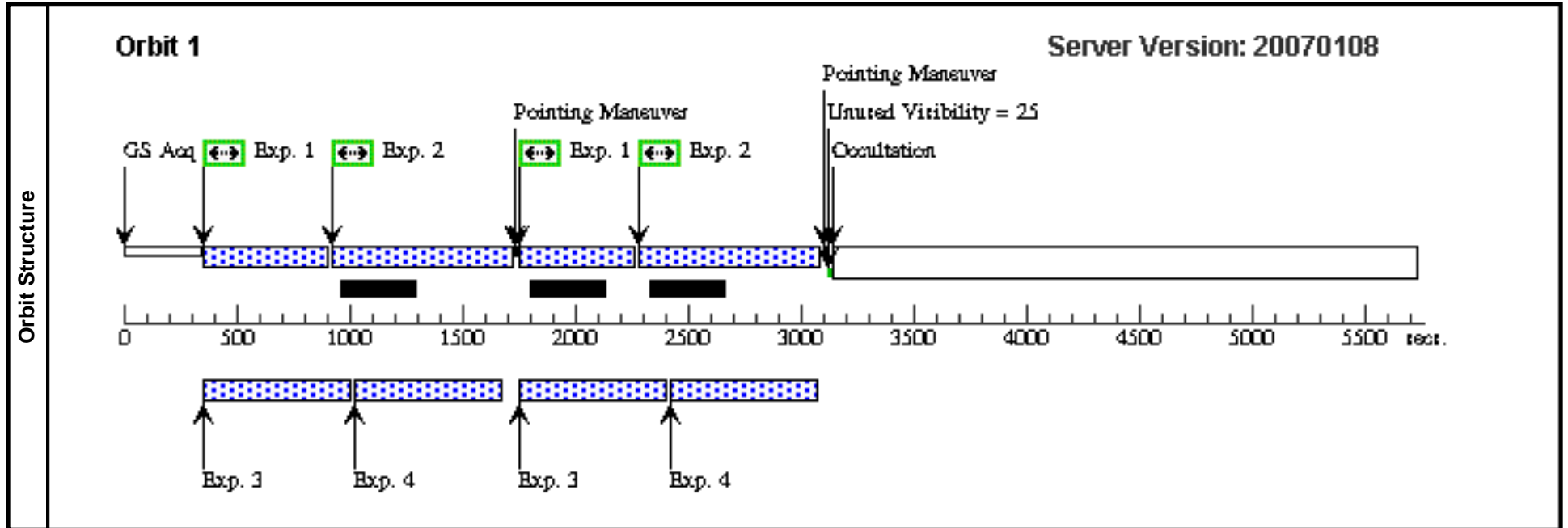


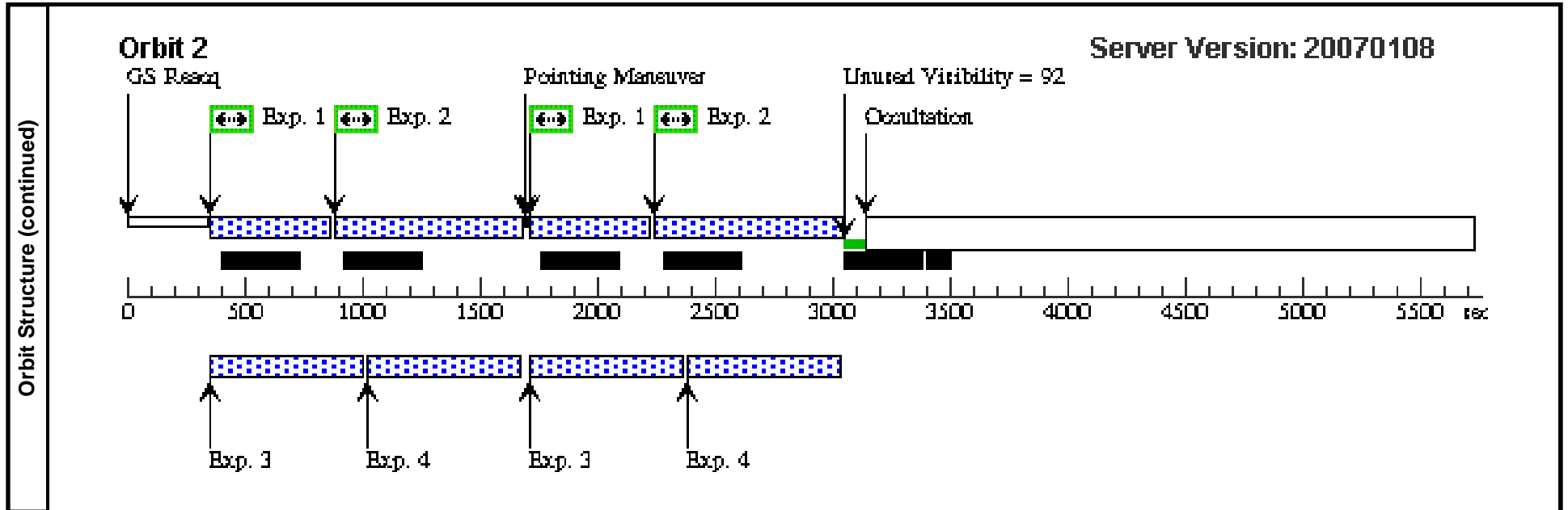


Proposal 10861 - Visit 17 - An ACS Treasury Survey of the Coma cluster of galaxies

Fri Jan 26 02:17:48 GMT 2007

Visit	Proposal 10861, Visit 17, implementation Diagnostic Status: No Diagnostics Scientific Instruments: ACS/WFC, NIC3 Special Requirements: ORIENT 282.0D TO 282.0 D									
	Patterns	#	Primary Pattern			Secondary Pattern			Exposures	
		(1)	Pattern Type=ACS-WFC-DITHER-LINE Purpose=DITHER Number Of Points=2 Point Spacing=3.011 Line Spacing=	Coordinate Frame=POS-TARG Pattern Orientation=85.3 Angle Between Sides= Center Pattern=false	Pattern Type=LINE Purpose=DITHER Number Of Points=2 Point Spacing=0.241 Line Spacing=	Coordinate Frame=POS-TARG Pattern Orientation=22.3 Angle Between Sides= Center Pattern=false	(1-4)			
Fixed Targets	#	Name	Target Coordinates	Targ. Coord. Corrections	Fluxes	Miscellaneous				
	(9)	COMA3-3	RA: 13 00 7.5000 (195.0312500d) Dec: +27 58 32.00 (27.97556d) Equinox: J2000		V=22.0	Reference Frame: ICRS				
Exposures	#	Label	Target	Config,Mode,Aperture	Spectral Els.	Opt. Params.	Special Reqs.	Groups	Exp. Time/[Actual Dur.]	Orbit
	1	F814	(9) COMA3-3	ACS/WFC, ACCUM, WFC	F814W	CR-SPLIT=NO		Pattern 1-4 (1) Prime + Parallel Group 1-4	350.0 Secs [=>(Pattern 1,1)] [=>(Pattern 1,2)] [=>(Pattern 2,1)] [=>(Pattern 2,2)]	[1] [2]
	2	F475	(9) COMA3-3	ACS/WFC, ACCUM, WFC	F475W	CR-SPLIT=NO		Pattern 1-4 (1) Prime + Parallel Group 1-4	640.0 Secs [=>(Pattern 1,1)] [=>(Pattern 1,2)] [=>(Pattern 2,1)] [=>(Pattern 2,2)]	[1] [2]
	3	NICMOS H	ANY	NIC3, MULTIACCUM, NIC3	F160W	SAMP-SEQ=SPARS 128; NSAMP=7		Pattern 1-4 (1) Prime + Parallel Group 1-4	[=>(Pattern 1,1)] [=>(Pattern 1,2)] [=>(Pattern 2,1)] [=>(Pattern 2,2)]	[1] [2]
	4	NICMOS J	ANY	NIC3, MULTIACCUM, NIC3-FIX	F110W	SAMP-SEQ=SPARS 128; NSAMP=7		Pattern 1-4 (1) Prime + Parallel Group 1-4	[=>(Pattern 1,1)] [=>(Pattern 1,2)] [=>(Pattern 2,1)] [=>(Pattern 2,2)]	[1] [2]

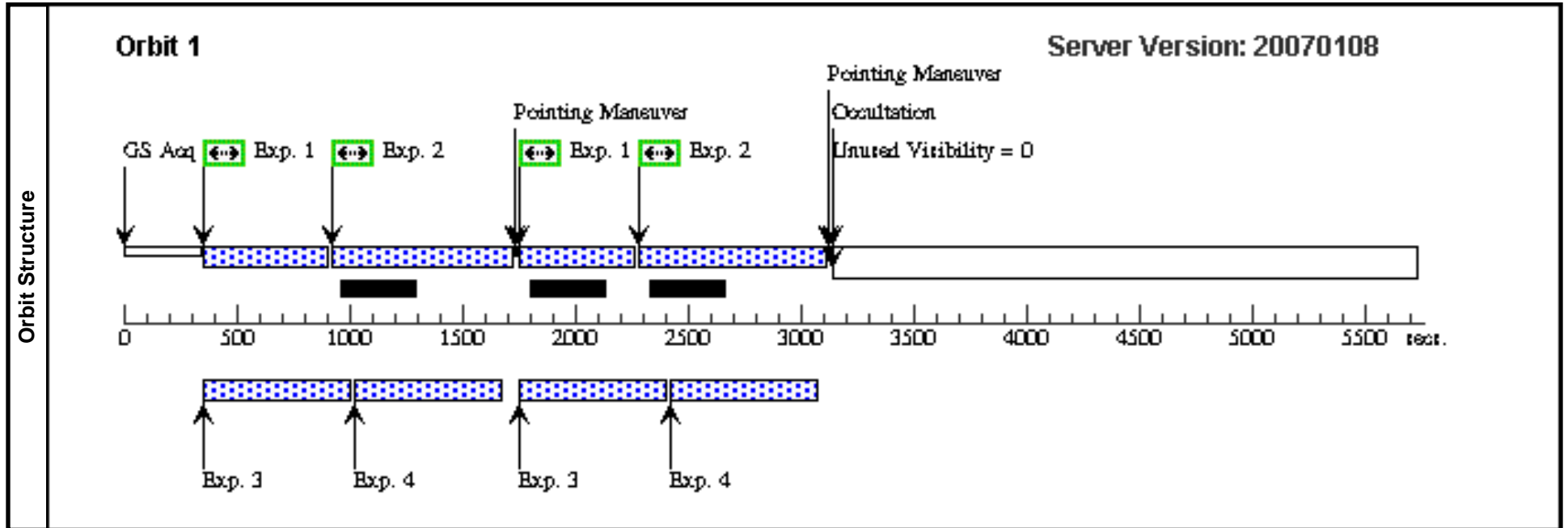


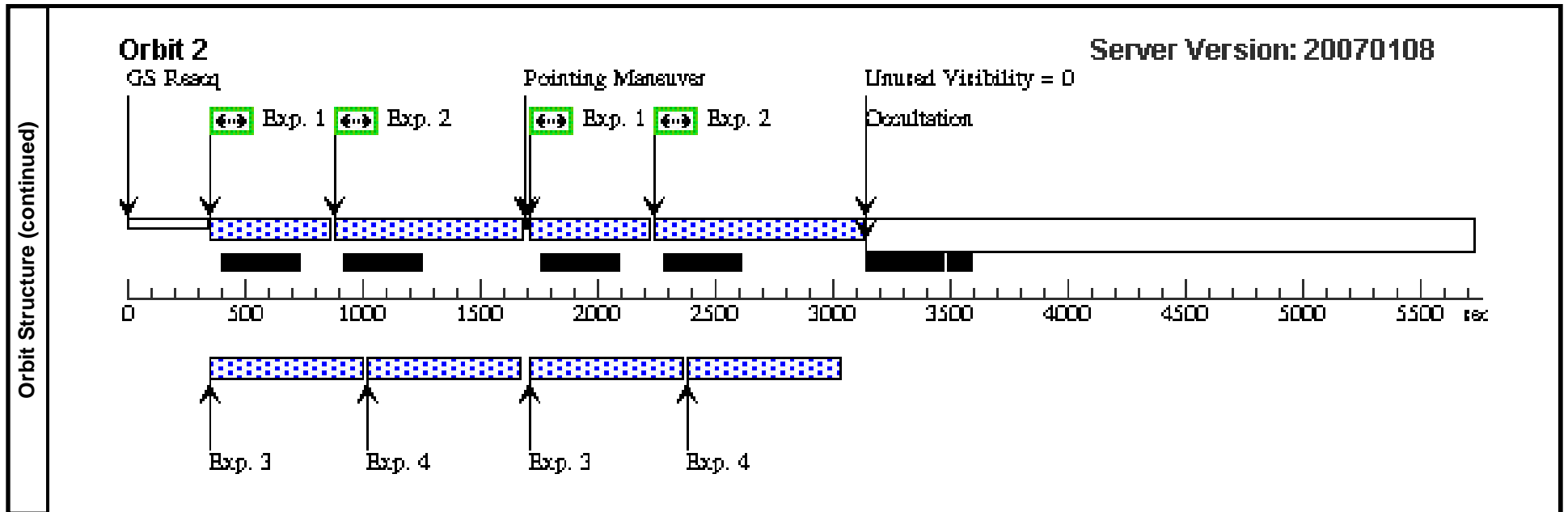


Proposal 10861 - Visit 18 - An ACS Treasury Survey of the Coma cluster of galaxies

Fri Jan 26 02:17:48 GMT 2007

Visit	Proposal 10861, Visit 18, scheduling Diagnostic Status: No Diagnostics Scientific Instruments: ACS/WFC, NIC3 Special Requirements: SAME ORIENT AS 01									
	Patterns	#	Primary Pattern			Secondary Pattern			Exposures	
		(1)	Pattern Type=ACS-WFC-DITHER-LINE Purpose=DITHER Number Of Points=2 Point Spacing=3.011 Line Spacing=	Coordinate Frame=POS-TARG Pattern Orientation=85.3 Angle Between Sides= Center Pattern=false	Pattern Type=LINE Purpose=DITHER Number Of Points=2 Point Spacing=0.241 Line Spacing=	Coordinate Frame=POS-TARG Pattern Orientation=22.3 Angle Between Sides= Center Pattern=false	(1-4)			
Fixed Targets	#	Name	Target Coordinates	Targ. Coord. Corrections	Fluxes	Miscellaneous				
	(8)	COMA3-4	RA: 12 59 51.9000 (194.9662500d) Dec: +27 58 32.00 (27.97556d) Equinox: J2000		V=22.0	Reference Frame: ICRS				
Exposures	#	Label	Target	Config,Mode,Aperture	Spectral Els.	Opt. Params.	Special Reqs.	Groups	Exp. Time/[Actual Dur.]	Orbit
	1	F814	(8) COMA3-4	ACS/WFC, ACCUM, WFC	F814W	CR-SPLIT=NO		Pattern 1-4 (1) Prime + Parallel Group 1-4	350.0 Secs [==>(Pattern 1,1)] [==>(Pattern 1,2)] [==>(Pattern 2,1)] [==>(Pattern 2,2)]	[1] [2]
	2	F475	(8) COMA3-4	ACS/WFC, ACCUM, WFC	F475W	CR-SPLIT=NO		Pattern 1-4 (1) Prime + Parallel Group 1-4	640.0 Secs [==>(Pattern 1,1)] [==>665.0 Secs (Pattern 1,2)] [==>(Pattern 2,1)] [==>732.0 Secs (Pattern 2,2)]	[1] [2]
	3	NICMOS H	ANY	NIC3, MULTIACCUM, NIC3	F160W	SAMP-SEQ=SPARS 128; NSAMP=7		Pattern 1-4 (1) Prime + Parallel Group 1-4	[==>(Pattern 1,1)] [==>(Pattern 1,2)] [==>(Pattern 2,1)] [==>(Pattern 2,2)]	[1] [2]
	4	NICMOS J	ANY	NIC3, MULTIACCUM, NIC3-FIX	F110W	SAMP-SEQ=SPARS 128; NSAMP=7		Pattern 1-4 (1) Prime + Parallel Group 1-4	[==>(Pattern 1,1)] [==>(Pattern 1,2)] [==>(Pattern 2,1)] [==>(Pattern 2,2)]	[1] [2]

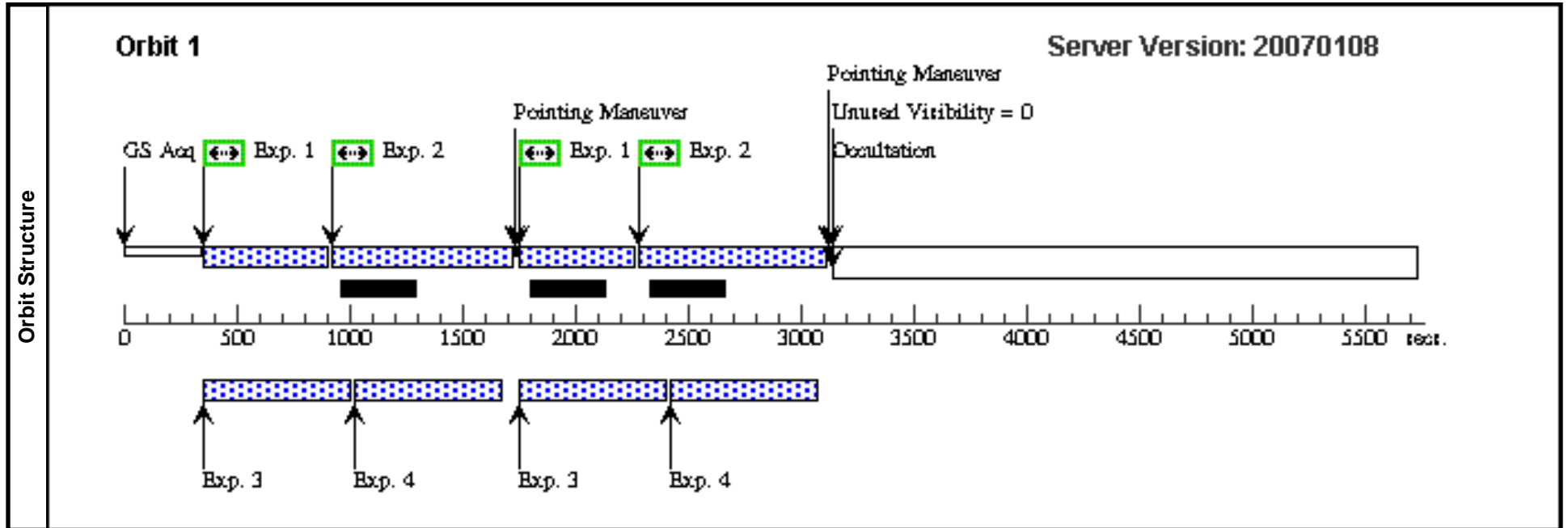


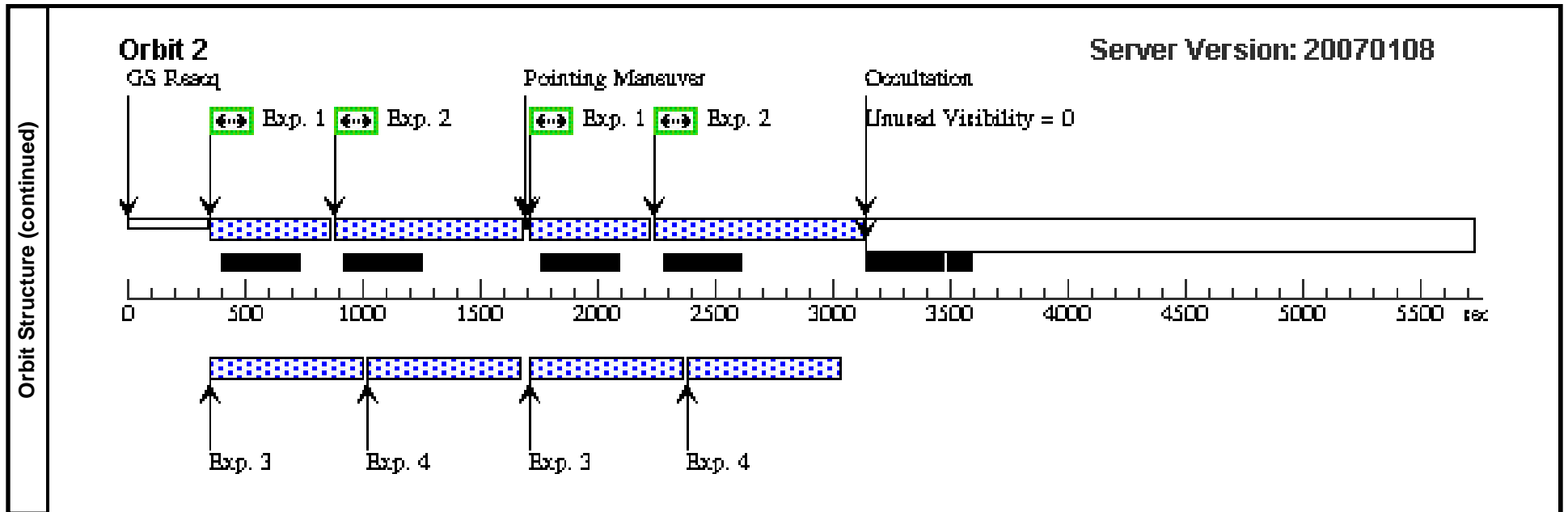


Proposal 10861 - Visit 19 - An ACS Treasury Survey of the Coma cluster of galaxies

Fri Jan 26 02:17:49 GMT 2007

Visit	Proposal 10861, Visit 19, scheduling Diagnostic Status: No Diagnostics Scientific Instruments: ACS/WFC, NIC3 Special Requirements: SAME ORIENT AS 01									
	Patterns	#	Primary Pattern			Secondary Pattern			Exposures	
		(1)	Pattern Type=ACS-WFC-DITHER-LINE Purpose=DITHER Number Of Points=2 Point Spacing=3.011 Line Spacing=	Coordinate Frame=POS-TARG Pattern Orientation=85.3 Angle Between Sides= Center Pattern=false	Pattern Type=LINE Purpose=DITHER Number Of Points=2 Point Spacing=0.241 Line Spacing=	Coordinate Frame=POS-TARG Pattern Orientation=22.3 Angle Between Sides= Center Pattern=false	(1-4)			
Fixed Targets	#	Name	Target Coordinates	Targ. Coord. Corrections	Fluxes	Miscellaneous				
	(12)	COMA3-5	RA: 12 59 36.3000 (194.9012500d) Dec: +27 58 32.00 (27.97556d) Equinox: J2000		V=22.0	Reference Frame: ICRS				
Exposures	#	Label	Target	Config,Mode,Aperture	Spectral Els.	Opt. Params.	Special Reqs.	Groups	Exp. Time/[Actual Dur.]	Orbit
	1	F814	(12) COMA3-5	ACS/WFC, ACCUM, WFC	F814W	CR-SPLIT=NO		Pattern 1-4 (1) Prime + Parallel Group 1-4	350.0 Secs [==>(Pattern 1,1)] [==>(Pattern 1,2)] [==>(Pattern 2,1)] [==>(Pattern 2,2)]	[1] [2]
	2	F475	(12) COMA3-5	ACS/WFC, ACCUM, WFC	F475W	CR-SPLIT=NO		Pattern 1-4 (1) Prime + Parallel Group 1-4	640.0 Secs [==>(Pattern 1,1)] [==>665.0 Secs (Pattern 1,2)] [==>(Pattern 2,1)] [==>732.0 Secs (Pattern 2,2)]	[1] [2]
	3	NICMOS H	ANY	NIC3, MULTIACCUM, NIC3	F160W	SAMP-SEQ=SPARS 128; NSAMP=7		Pattern 1-4 (1) Prime + Parallel Group 1-4	[==>(Pattern 1,1)] [==>(Pattern 1,2)] [==>(Pattern 2,1)] [==>(Pattern 2,2)]	[1] [2]
	4	NICMOS J	ANY	NIC3, MULTIACCUM, NIC3-FIX	F110W	SAMP-SEQ=SPARS 128; NSAMP=7		Pattern 1-4 (1) Prime + Parallel Group 1-4	[==>(Pattern 1,1)] [==>(Pattern 1,2)] [==>(Pattern 2,1)] [==>(Pattern 2,2)]	[1] [2]

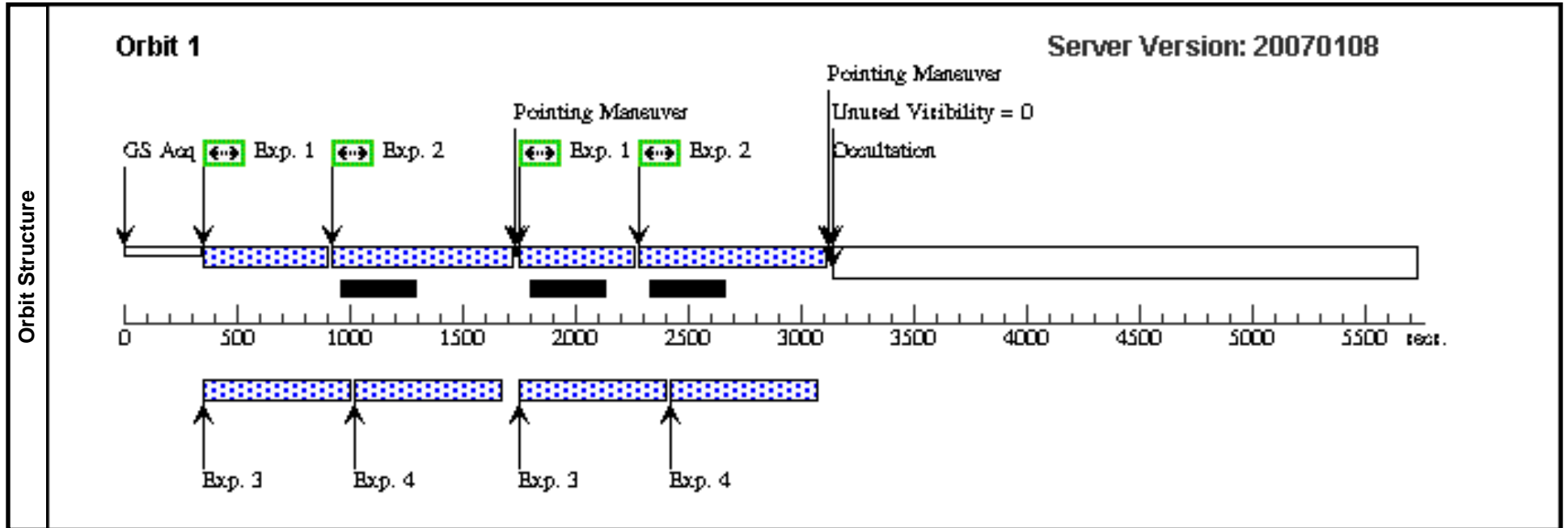


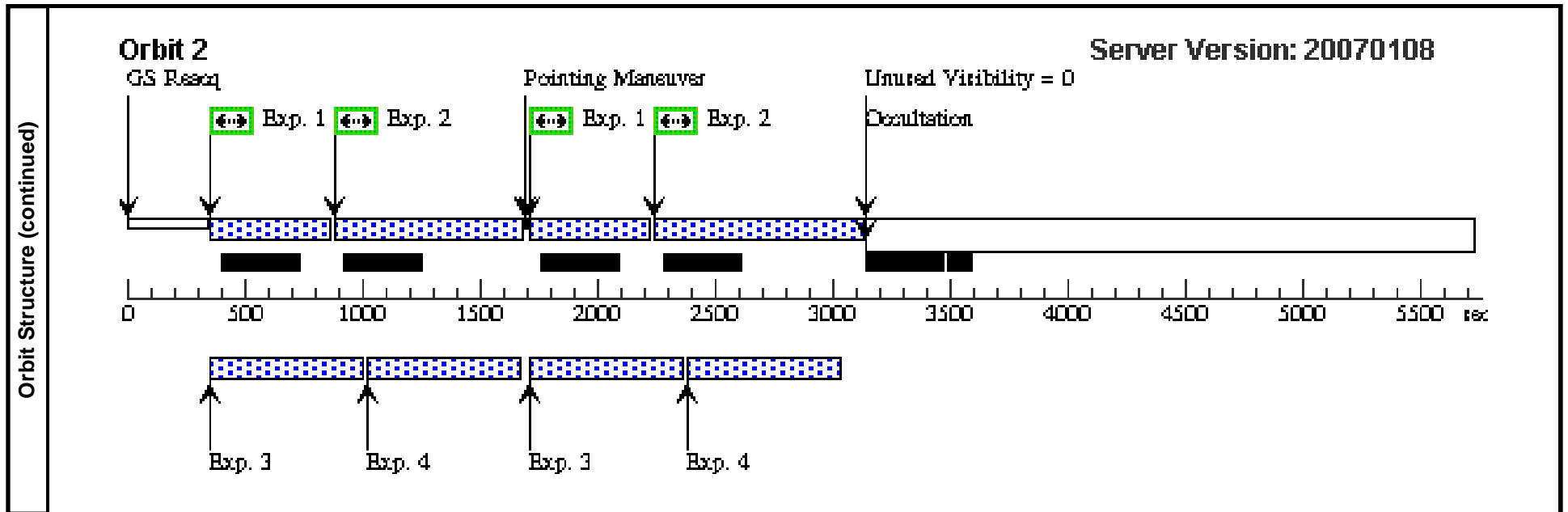


Proposal 10861 - Visit 20 - An ACS Treasury Survey of the Coma cluster of galaxies

Fri Jan 26 02:17:49 GMT 2007

Visit	Proposal 10861, Visit 20, scheduling Diagnostic Status: No Diagnostics Scientific Instruments: ACS/WFC, NIC3 Special Requirements: SAME ORIENT AS 01									
	Patterns	#	Primary Pattern			Secondary Pattern			Exposures	
		(1)	Pattern Type=ACS-WFC-DITHER-LINE Purpose=DITHER Number Of Points=2 Point Spacing=3.011 Line Spacing=	Coordinate Frame=POS-TARG Pattern Orientation=85.3 Angle Between Sides= Center Pattern=false	Pattern Type=LINE Purpose=DITHER Number Of Points=2 Point Spacing=0.241 Line Spacing=	Coordinate Frame=POS-TARG Pattern Orientation=22.3 Angle Between Sides= Center Pattern=false	(1-4)			
Fixed Targets	#	Name	Target Coordinates	Targ. Coord. Corrections		Fluxes	Miscellaneous			
	(13)	COMA3-6	RA: 12 59 20.7000 (194.8362500d) Dec: +27 58 32.00 (27.97556d) Equinox: J2000			V=22.0	Reference Frame: ICRS			
Exposures	#	Label	Target	Config,Mode,Aperture	Spectral Els.	Opt. Params.	Special Reqs.	Groups	Exp. Time/[Actual Dur.]	Orbit
	1	F814	(13) COMA3-6	ACS/WFC, ACCUM, WFC	F814W	CR-SPLIT=NO		Pattern 1-4 (1) Prime + Parallel Group 1-4	350.0 Secs [==>(Pattern 1,1)] [==>(Pattern 1,2)] [==>(Pattern 2,1)] [==>(Pattern 2,2)]	[1] [2]
	2	F475	(13) COMA3-6	ACS/WFC, ACCUM, WFC	F475W	CR-SPLIT=NO		Pattern 1-4 (1) Prime + Parallel Group 1-4	640.0 Secs [==>(Pattern 1,1)] [==>665.0 Secs (Pattern 1,2)] [==>(Pattern 2,1)] [==>732.0 Secs (Pattern 2,2)]	[1] [2]
	3	NICMOS H	ANY	NIC3, MULTIACCUM, NIC3	F160W	SAMP-SEQ=SPARS 128; NSAMP=7		Pattern 1-4 (1) Prime + Parallel Group 1-4	[==>(Pattern 1,1)] [==>(Pattern 1,2)] [==>(Pattern 2,1)] [==>(Pattern 2,2)]	[1] [2]
	4	NICMOS J	ANY	NIC3, MULTIACCUM, NIC3-FIX	F110W	SAMP-SEQ=SPARS 128; NSAMP=7		Pattern 1-4 (1) Prime + Parallel Group 1-4	[==>(Pattern 1,1)] [==>(Pattern 1,2)] [==>(Pattern 2,1)] [==>(Pattern 2,2)]	[1] [2]





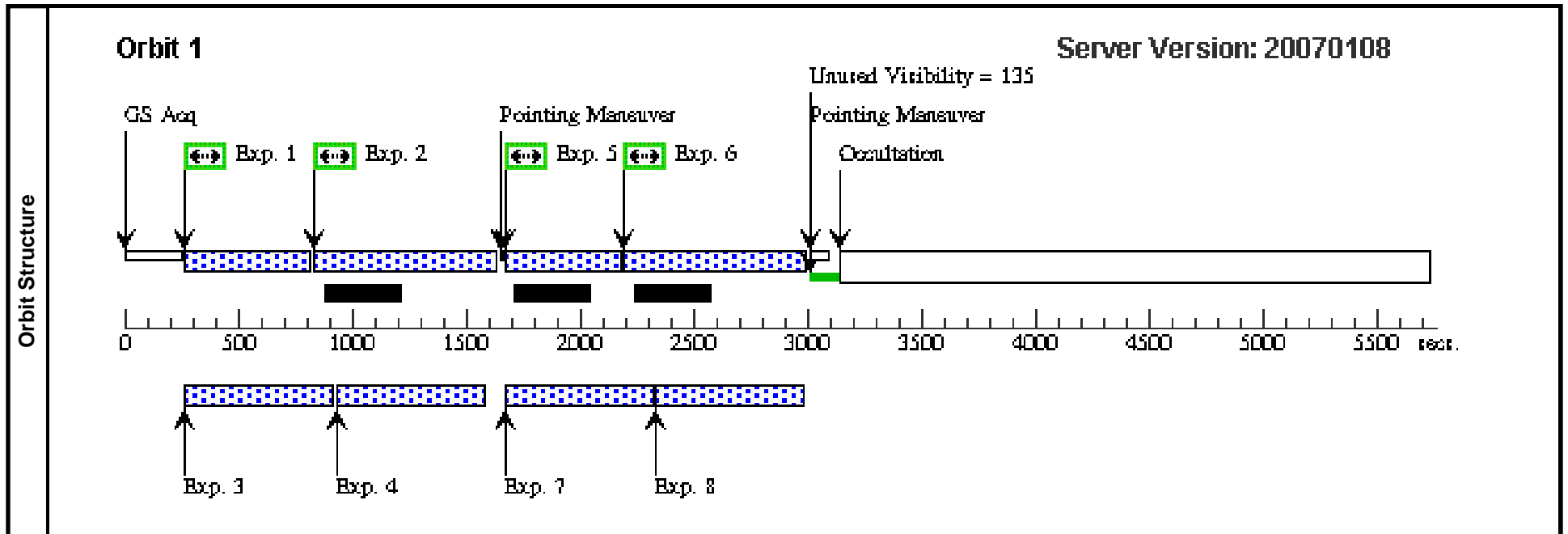
Proposal 10861 - Visit 21 - An ACS Treasury Survey of the Coma cluster of galaxies

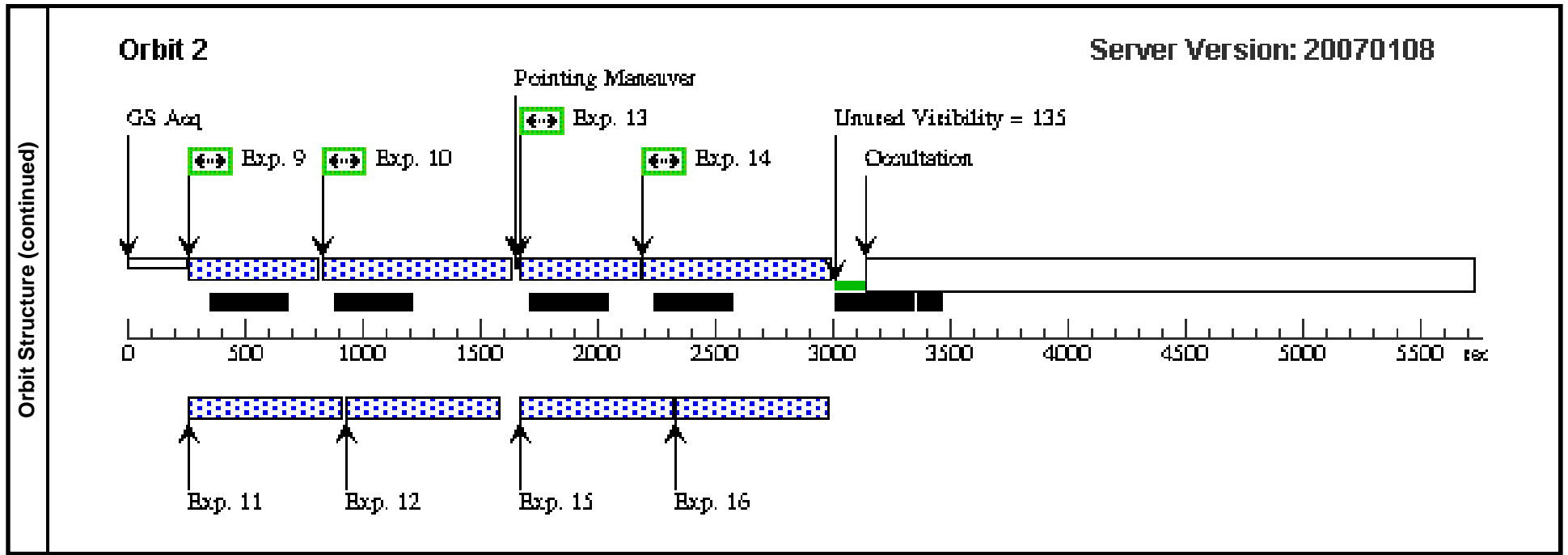
Fri Jan 26 02:17:52 GMT 2007

Visit	Proposal 10861, Visit 21, scheduling Diagnostic Status: No Diagnostics Scientific Instruments: ACS/WFC, NIC3 Special Requirements: SAME ORIENT AS 01									
	Fixed Targets	#	Name	Target Coordinates	Targ. Coord. Corrections	Fluxes	Miscellaneous			
	(14)	COMA3-7	RA: 12 59 5.1000 (194.7712500d) Dec: +27 58 32.00 (27.97556d) Equinox: J2000		V=22.0	Reference Frame: ICRS				
Exposures	#	Label	Target	Config,Mode,Aperture	Spectral Els.	Opt. Params.	Special Reqs.	Groups	Exp. Time/[Actual Dur.]	Orbit
	1	F814	(14) COMA3-7	ACS/WFC, ACCUM, WFC	F814W	CR-SPLIT=NO	GS ACQ SCENARIO SINGLE	Sequence 1-8 Non-Int Prime + Parallel Group 1-4	350.0 Secs [==>]	[1]
	2	F475	(14) COMA3-7	ACS/WFC, ACCUM, WFC	F475W	CR-SPLIT=NO		Sequence 1-8 Non-Int Prime + Parallel Group 1-4	640.0 Secs [==>]	[1]
	3	NICMOS H	ANY	NIC3, MULTIACCUM, NIC3	F160W	SAMP-SEQ=SPARS 128; NSAMP=7		Sequence 1-8 Non-Int Prime + Parallel Group 1-4	[==>]	[1]
	4	NICMOS J	ANY	NIC3, MULTIACCUM, NIC3-FIX	F110W	SAMP-SEQ=SPARS 128; NSAMP=7		Sequence 1-8 Non-Int Prime + Parallel Group 1-4	[==>]	[1]
	5	F814	(14) COMA3-7	ACS/WFC, ACCUM, WFC	F814W	CR-SPLIT=NO	POS TARG 0.222,0.092	Sequence 1-8 Non-Int Prime + Parallel Group 5-8	350.0 Secs [==>]	[1]
	6	F475	(14) COMA3-7	ACS/WFC, ACCUM, WFC	F475W	CR-SPLIT=NO	SAME POS AS 5	Sequence 1-8 Non-Int Prime + Parallel Group 5-8	640.0 Secs [==>]	[1]
	7	NICMOS H	ANY	NIC3, MULTIACCUM, NIC3	F160W	SAMP-SEQ=SPARS 128; NSAMP=7		Sequence 1-8 Non-Int Prime + Parallel Group 5-8	[==>]	[1]
8	NICMOS J	ANY	NIC3, MULTIACCUM, NIC3-FIX	F110W	SAMP-SEQ=SPARS 128; NSAMP=7		Sequence 1-8 Non-Int Prime + Parallel Group 5-8	[==>]	[1]	

Proposal 10861 - Visit 21 - An ACS Treasury Survey of the Coma cluster of galaxies

#	Label	Target	Config,Mode,Aperture	Spectral Els.	Opt. Params.	Special Reqs.	Groups	Exp. Time/[Actual Dur.]	Orbit	
Exposures (continued)	9	F814	(14) COMA3-7	ACS/WFC, ACCUM, WFC	F814W	CR-SPLIT=NO	POS TARG 0.247,3.001; NEW OBSET FULL ACQ; GS ACQ SCENARIO SINGLE	Sequence 9-16 Non-Int Prime + Parallel Group 9-12	350.0 Secs [==>]	[2]
	10	F475	(14) COMA3-7	ACS/WFC, ACCUM, WFC	F475W	CR-SPLIT=NO	SAME POS AS 9	Sequence 9-16 Non-Int Prime + Parallel Group 9-12	640.0 Secs [==>]	[2]
	11	NICMOS H	ANY	NIC3, MULTIACCUM, NIC3	F160W	SAMP-SEQ=SPARS 128; NSAMP=7		Sequence 9-16 Non-Int Prime + Parallel Group 9-12	[==>]	[2]
	12	NICMOS J	ANY	NIC3, MULTIACCUM, NIC3-FIX	F110W	SAMP-SEQ=SPARS 128; NSAMP=7		Sequence 9-16 Non-Int Prime + Parallel Group 9-12	[==>]	[2]
	13	F814	(14) COMA3-7	ACS/WFC, ACCUM, WFC	F814W	CR-SPLIT=NO	POS TARG 0.469,3.093	Sequence 9-16 Non-Int Prime + Parallel Group 13-16	350.0 Secs [==>]	[2]
	14	F475	(14) COMA3-7	ACS/WFC, ACCUM, WFC	F475W	CR-SPLIT=NO	SAME POS AS 13	Sequence 9-16 Non-Int Prime + Parallel Group 13-16	640.0 Secs [==>]	[2]
	15	NICMOS H	ANY	NIC3, MULTIACCUM, NIC3	F160W	SAMP-SEQ=SPARS 128; NSAMP=7		Sequence 9-16 Non-Int Prime + Parallel Group 13-16	[==>]	[2]
	16	NICMOS J	ANY	NIC3, MULTIACCUM, NIC3-FIX	F110W	SAMP-SEQ=SPARS 128; NSAMP=7		Sequence 9-16 Non-Int Prime + Parallel Group 13-16	[==>]	[2]





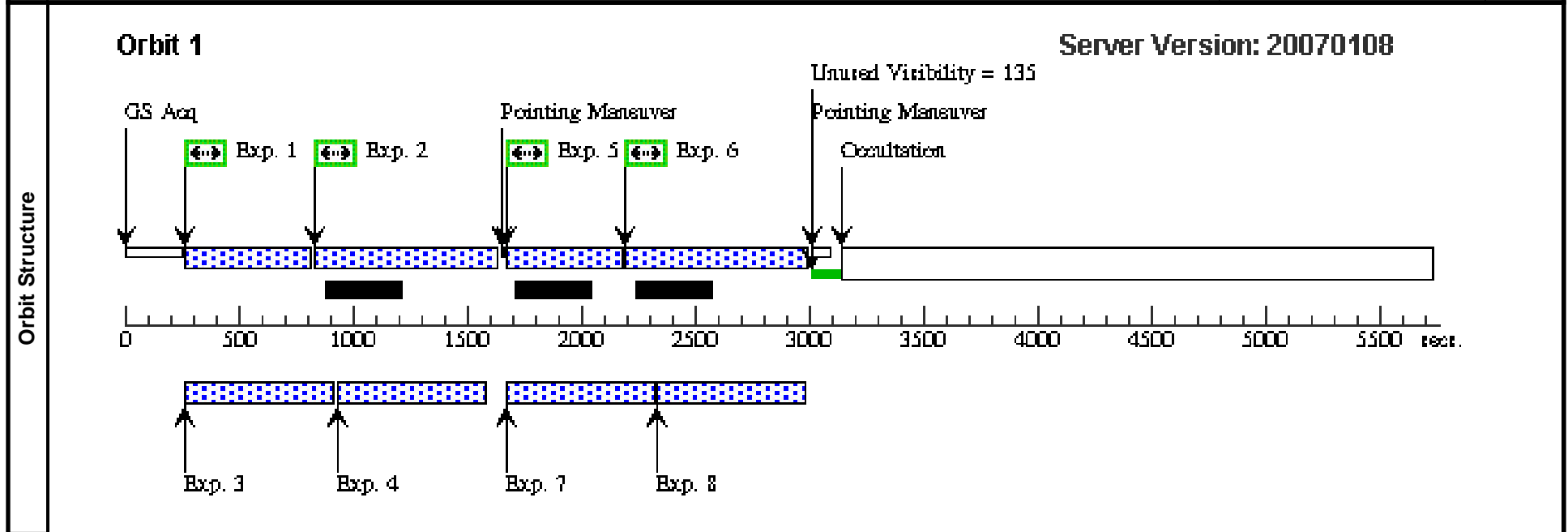
Proposal 10861 - Visit 22 - An ACS Treasury Survey of the Coma cluster of galaxies

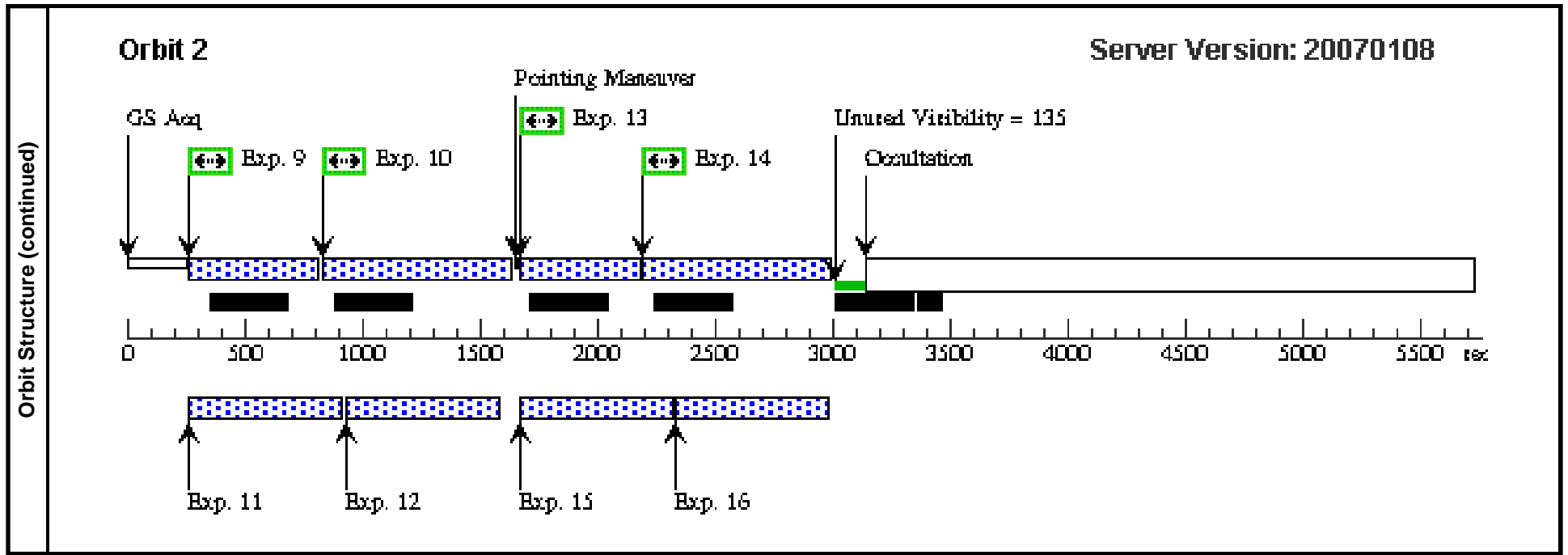
Fri Jan 26 02:17:52 GMT 2007

Visit	Proposal 10861, Visit 22, completed Diagnostic Status: No Diagnostics Scientific Instruments: ACS/WFC, NIC3 Special Requirements: ORIENT 282.0D TO 282.0 D									
	Fixed Targets	#	Name	Target Coordinates	Targ. Coord. Corrections	Fluxes	Miscellaneous			
	(4)	COMA4-1	RA: 13 00 35.1000 (195.1462500d) Dec: +27 55 21.00 (27.92250d) Equinox: J2000		V=22.0	Reference Frame: ICRS				
Exposures	#	Label	Target	Config,Mode,Aperture	Spectral Els.	Opt. Params.	Special Reqs.	Groups	Exp. Time/[Actual Dur.]	Orbit
	1	F814	(4) COMA4-1	ACS/WFC, ACCUM, WFC	F814W	CR-SPLIT=NO	GS ACQ SCENARI O SINGLE	Prime + Parallel Group 1-4	350.0 Secs [==>]	[1]
	2	F475	(4) COMA4-1	ACS/WFC, ACCUM, WFC	F475W	CR-SPLIT=NO		Prime + Parallel Group 1-4	640.0 Secs [==>]	[1]
	3	NICMOS H	ANY	NIC3, MULTIACCUM, NIC3	F160W	SAMP-SEQ=SPARS 128; NSAMP=7		Prime + Parallel Group 1-4	[==>]	[1]
	4	NICMOS J	ANY	NIC3, MULTIACCUM, NIC3-FIX	F110W	SAMP-SEQ=SPARS 128; NSAMP=7		Prime + Parallel Group 1-4	[==>]	[1]
	5	F814	(4) COMA4-1	ACS/WFC, ACCUM, WFC	F814W	CR-SPLIT=NO	POS TARG 0.222,0.092	Prime + Parallel Group 5-8	350.0 Secs [==>]	[1]
	6	F475	(4) COMA4-1	ACS/WFC, ACCUM, WFC	F475W	CR-SPLIT=NO	SAME POS AS 5	Prime + Parallel Group 5-8	640.0 Secs [==>]	[1]
	7	NICMOS H	ANY	NIC3, MULTIACCUM, NIC3	F160W	SAMP-SEQ=SPARS 128; NSAMP=7		Prime + Parallel Group 5-8	[==>]	[1]
	8	NICMOS J	ANY	NIC3, MULTIACCUM, NIC3-FIX	F110W	SAMP-SEQ=SPARS 128; NSAMP=7		Prime + Parallel Group 5-8	[==>]	[1]
	9	F814	(4) COMA4-1	ACS/WFC, ACCUM, WFC	F814W	CR-SPLIT=NO	POS TARG 0.247,3.001; NEW OBSET FULL ACQ; GS ACQ SCENARI O SINGLE	Prime + Parallel Group 9-12	350.0 Secs [==>]	[2]
10	F475	(4) COMA4-1	ACS/WFC, ACCUM, WFC	F475W	CR-SPLIT=NO	SAME POS AS 9	Prime + Parallel Group 9-12	640.0 Secs [==>]	[2]	

Proposal 10861 - Visit 22 - An ACS Treasury Survey of the Coma cluster of galaxies

#	Label	Target	Config,Mode,Aperture	Spectral Els.	Opt. Params.	Special Reqs.	Groups	Exp. Time/[Actual Dur.]	Orbit	
Exposures (continued)	11	NICMOS H	ANY	NIC3, MULTIACCUM, NIC3	F160W	SAMP-SEQ=SPARS 128; NSAMP=7	Prime + Parallel Group 9-12	[==>]	[2]	
	12	NICMOS J	ANY	NIC3, MULTIACCUM, NIC3-FIX	F110W	SAMP-SEQ=SPARS 128; NSAMP=7	Prime + Parallel Group 9-12	[==>]	[2]	
	13	F814	(4) COMA4-1	ACS/WFC, ACCUM, WFC	F814W	CR-SPLIT=NO	POS TARG 0.469,3.093	Prime + Parallel Group 13-16	350.0 Secs [==>]	[2]
	14	F475	(4) COMA4-1	ACS/WFC, ACCUM, WFC	F475W	CR-SPLIT=NO	SAME POS AS 13	Prime + Parallel Group 13-16	640.0 Secs [==>]	[2]
	15	NICMOS H	ANY	NIC3, MULTIACCUM, NIC3	F160W	SAMP-SEQ=SPARS 128; NSAMP=7	Prime + Parallel Group 13-16	[==>]	[2]	
	16	NICMOS J	ANY	NIC3, MULTIACCUM, NIC3-FIX	F110W	SAMP-SEQ=SPARS 128; NSAMP=7	Prime + Parallel Group 13-16	[==>]	[2]	

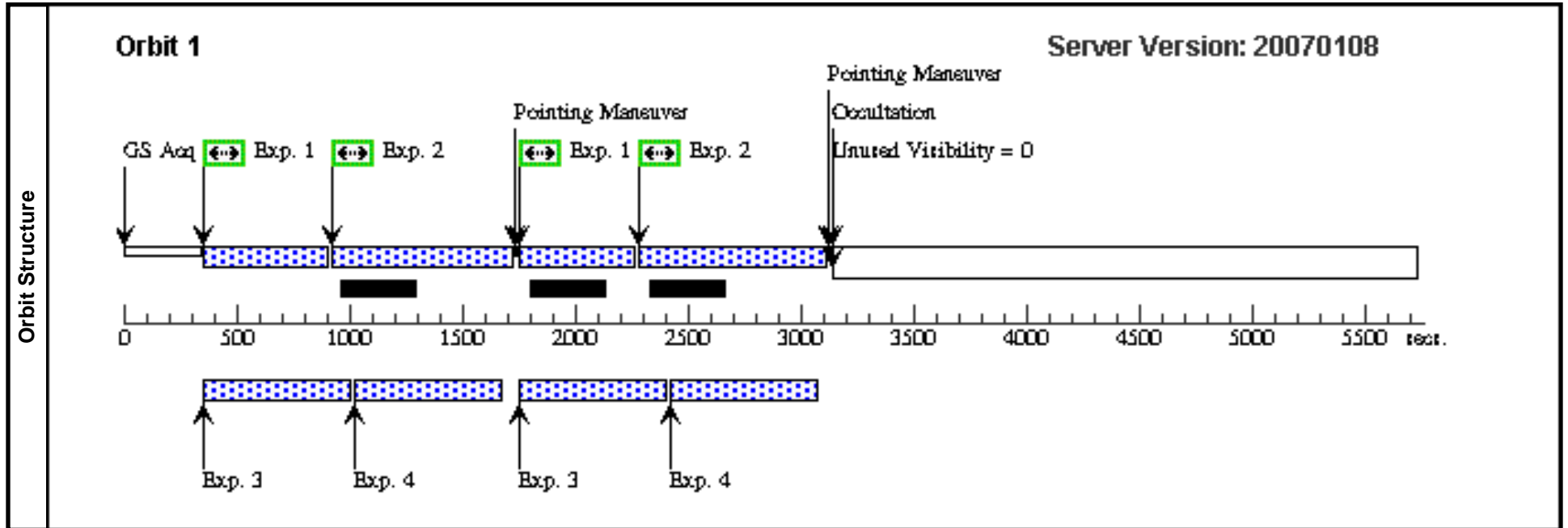


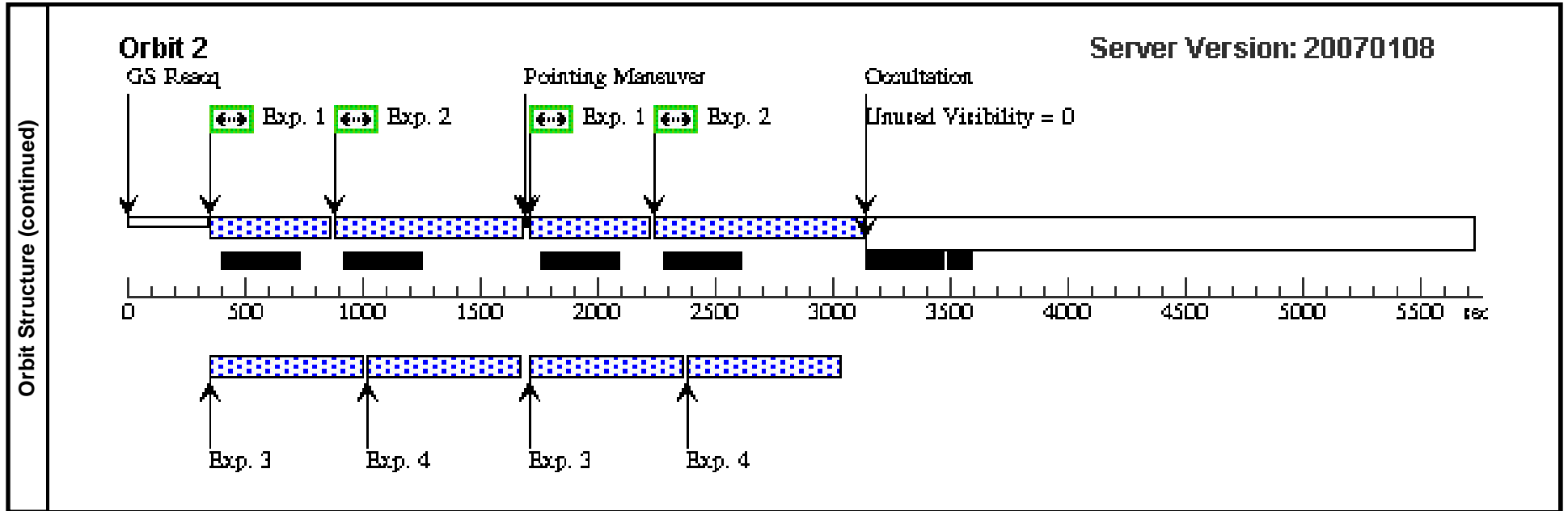


Proposal 10861 - Visit 23 - An ACS Treasury Survey of the Coma cluster of galaxies

Fri Jan 26 02:17:53 GMT 2007

Visit	Proposal 10861, Visit 23, scheduling Diagnostic Status: No Diagnostics Scientific Instruments: ACS/WFC, NIC3 Special Requirements: SAME ORIENT AS 01									
	Patterns	#	Primary Pattern			Secondary Pattern			Exposures	
		(1)	Pattern Type=ACS-WFC-DITHER-LINE Purpose=DITHER Number Of Points=2 Point Spacing=3.011 Line Spacing=	Coordinate Frame=POS-TARG Pattern Orientation=85.3 Angle Between Sides= Center Pattern=false	Pattern Type=LINE Purpose=DITHER Number Of Points=2 Point Spacing=0.241 Line Spacing=	Coordinate Frame=POS-TARG Pattern Orientation=22.3 Angle Between Sides= Center Pattern=false	(1-4)			
Fixed Targets	#	Name	Target Coordinates	Targ. Coord. Corrections	Fluxes	Miscellaneous				
	(3)	COMA4-2	RA: 13 00 19.5000 (195.0812500d) Dec: +27 55 21.00 (27.92250d) Equinox: J2000		V=22.0	Reference Frame: ICRS				
Exposures	#	Label	Target	Config,Mode,Aperture	Spectral Els.	Opt. Params.	Special Reqs.	Groups	Exp. Time/[Actual Dur.]	Orbit
	1	F814	(3) COMA4-2	ACS/WFC, ACCUM, WFC	F814W	CR-SPLIT=NO		Pattern 1-4 (1) Prime + Parallel Group 1-4	350.0 Secs [==>(Pattern 1,1)] [==>(Pattern 1,2)] [==>(Pattern 2,1)] [==>(Pattern 2,2)]	[1] [2]
	2	F475	(3) COMA4-2	ACS/WFC, ACCUM, WFC	F475W	CR-SPLIT=NO		Pattern 1-4 (1) Prime + Parallel Group 1-4	640.0 Secs [==>(Pattern 1,1)] [==>665.0 Secs (Pattern 1,2)] [==>(Pattern 2,1)] [==>732.0 Secs (Pattern 2,2)]	[1] [2]
	3	NICMOS H	ANY	NIC3, MULTIACCUM, NIC3	F160W	SAMP-SEQ=SPARS 128; NSAMP=7		Pattern 1-4 (1) Prime + Parallel Group 1-4	[==>(Pattern 1,1)] [==>(Pattern 1,2)] [==>(Pattern 2,1)] [==>(Pattern 2,2)]	[1] [2]
	4	NICMOS J	ANY	NIC3, MULTIACCUM, NIC3-FIX	F110W	SAMP-SEQ=SPARS 128; NSAMP=7		Pattern 1-4 (1) Prime + Parallel Group 1-4	[==>(Pattern 1,1)] [==>(Pattern 1,2)] [==>(Pattern 2,1)] [==>(Pattern 2,2)]	[1] [2]





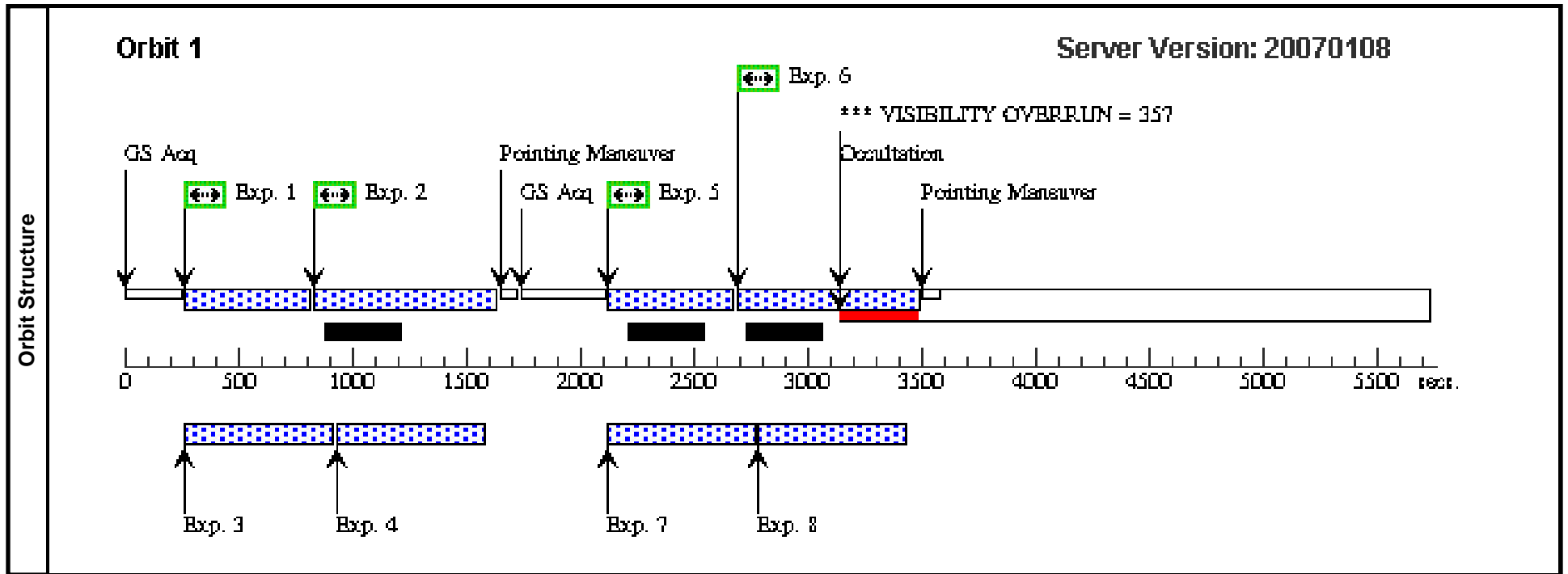
Proposal 10861 - Visit 24 - An ACS Treasury Survey of the Coma cluster of galaxies

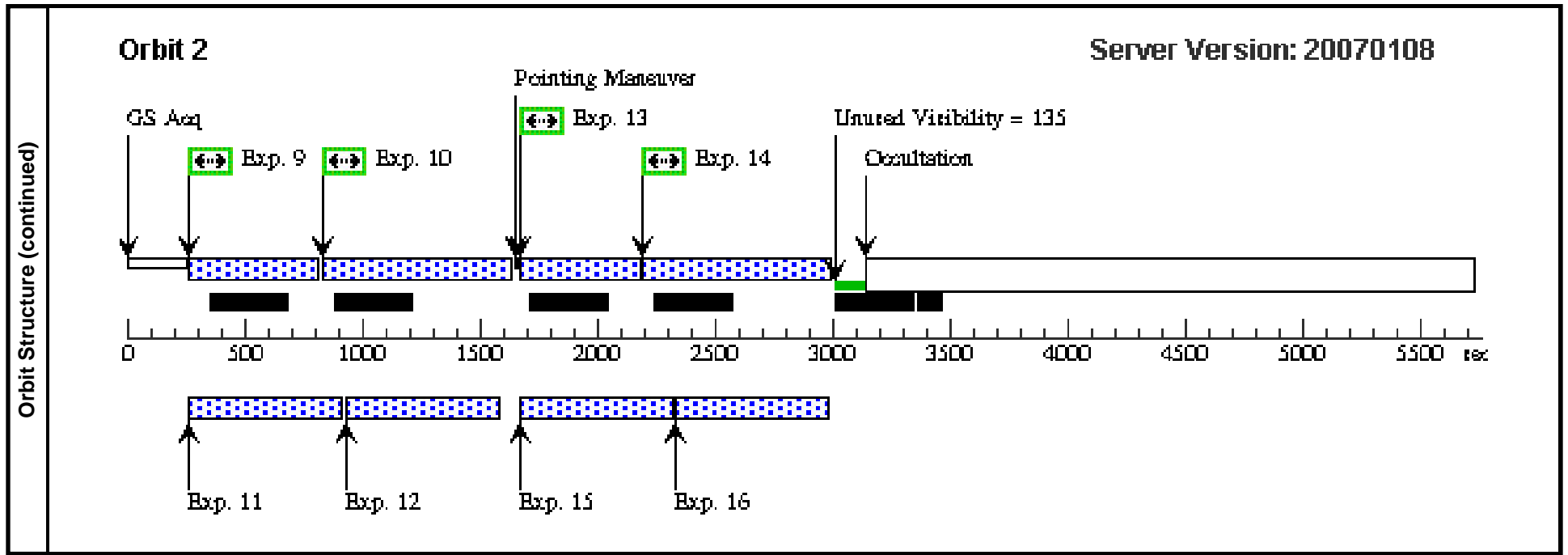
Fri Jan 26 02:17:54 GMT 2007

Visit	Proposal 10861, Visit 24, scheduling Diagnostic Status: Warning Scientific Instruments: ACS/WFC, NIC3 Special Requirements: ORIENT 282.0D TO 282.0 D									
	(Visit 24) Warning: VISIBILITY OVERRUN									
Fixed Targets	#	Name	Target Coordinates	Targ. Coord. Corrections	Fluxes	Miscellaneous				
	(2)	COMA4-3	RA: 13 00 3.9000 (195.0162500d) Dec: +27 55 21.00 (27.92250d) Equinox: J2000		V=22.0	Reference Frame: ICRS				
Exposures	#	Label	Target	Config,Mode,Aperture	Spectral Els.	Opt. Params.	Special Reqs.	Groups	Exp. Time/[Actual Dur.]	Orbit
	1	F814	(2) COMA4-3	ACS/WFC, ACCUM, WFC	F814W	CR-SPLIT=NO	GS ACQ SCENARI O SINGLE	Prime + Parallel Group 1-4	350.0 Secs [==>]	[1]
	2	F475	(2) COMA4-3	ACS/WFC, ACCUM, WFC	F475W	CR-SPLIT=NO		Prime + Parallel Group 1-4	640.0 Secs [==>]	[1]
	3	NICMOS H	ANY	NIC3, MULTIACCUM, NIC3	F160W	SAMP-SEQ=SPARS 128; NSAMP=7		Prime + Parallel Group 1-4	[==>]	[1]
	4	NICMOS J	ANY	NIC3, MULTIACCUM, NIC3-FIX	F110W	SAMP-SEQ=SPARS 128; NSAMP=7		Prime + Parallel Group 1-4	[==>]	[1]
	5	F814	(2) COMA4-3	ACS/WFC, ACCUM, WFC	F814W	CR-SPLIT=NO	POS TARG 0.222,0.092; NEW OBSET FULL ACQ; GS ACQ SCENARI O SINGLE	Prime + Parallel Group 5-8	350.0 Secs [==>]	[1]
	6	F475	(2) COMA4-3	ACS/WFC, ACCUM, WFC	F475W	CR-SPLIT=NO	SAME POS AS 5	Prime + Parallel Group 5-8	640.0 Secs [==>]	[1]
	7	NICMOS H	ANY	NIC3, MULTIACCUM, NIC3	F160W	SAMP-SEQ=SPARS 128; NSAMP=7		Prime + Parallel Group 5-8	[==>]	[1]
	8	NICMOS J	ANY	NIC3, MULTIACCUM, NIC3-FIX	F110W	SAMP-SEQ=SPARS 128; NSAMP=7		Prime + Parallel Group 5-8	[==>]	[1]

Proposal 10861 - Visit 24 - An ACS Treasury Survey of the Coma cluster of galaxies

#	Label	Target	Config,Mode,Aperture	Spectral Els.	Opt. Params.	Special Reqs.	Groups	Exp. Time/[Actual Dur.]	Orbit	
Exposures (continued)	9	F814	(2) COMA4-3	ACS/WFC, ACCUM, WFC	F814W	CR-SPLIT=NO	POS TARG 0.247,3.001; NEW OBSET FULL ACQ; GS ACQ SCENARIO SINGLE	Prime + Parallel Group 9-12	350.0 Secs [==>]	[2]
	10	F475	(2) COMA4-3	ACS/WFC, ACCUM, WFC	F475W	CR-SPLIT=NO	SAME POS AS 9	Prime + Parallel Group 9-12	640.0 Secs [==>]	[2]
	11	NICMOS H	ANY	NIC3, MULTIACCUM, NIC3	F160W	SAMP-SEQ=SPARS 128; NSAMP=7		Prime + Parallel Group 9-12	[==>]	[2]
	12	NICMOS J	ANY	NIC3, MULTIACCUM, NIC3-FIX	F110W	SAMP-SEQ=SPARS 128; NSAMP=7		Prime + Parallel Group 9-12	[==>]	[2]
	13	F814	(2) COMA4-3	ACS/WFC, ACCUM, WFC	F814W	CR-SPLIT=NO	POS TARG 0.469,3.093	Prime + Parallel Group 13-16	350.0 Secs [==>]	[2]
	14	F475	(2) COMA4-3	ACS/WFC, ACCUM, WFC	F475W	CR-SPLIT=NO	SAME POS AS 13	Prime + Parallel Group 13-16	640.0 Secs [==>]	[2]
	15	NICMOS H	ANY	NIC3, MULTIACCUM, NIC3	F160W	SAMP-SEQ=SPARS 128; NSAMP=7		Prime + Parallel Group 13-16	[==>]	[2]
	16	NICMOS J	ANY	NIC3, MULTIACCUM, NIC3-FIX	F110W	SAMP-SEQ=SPARS 128; NSAMP=7		Prime + Parallel Group 13-16	[==>]	[2]





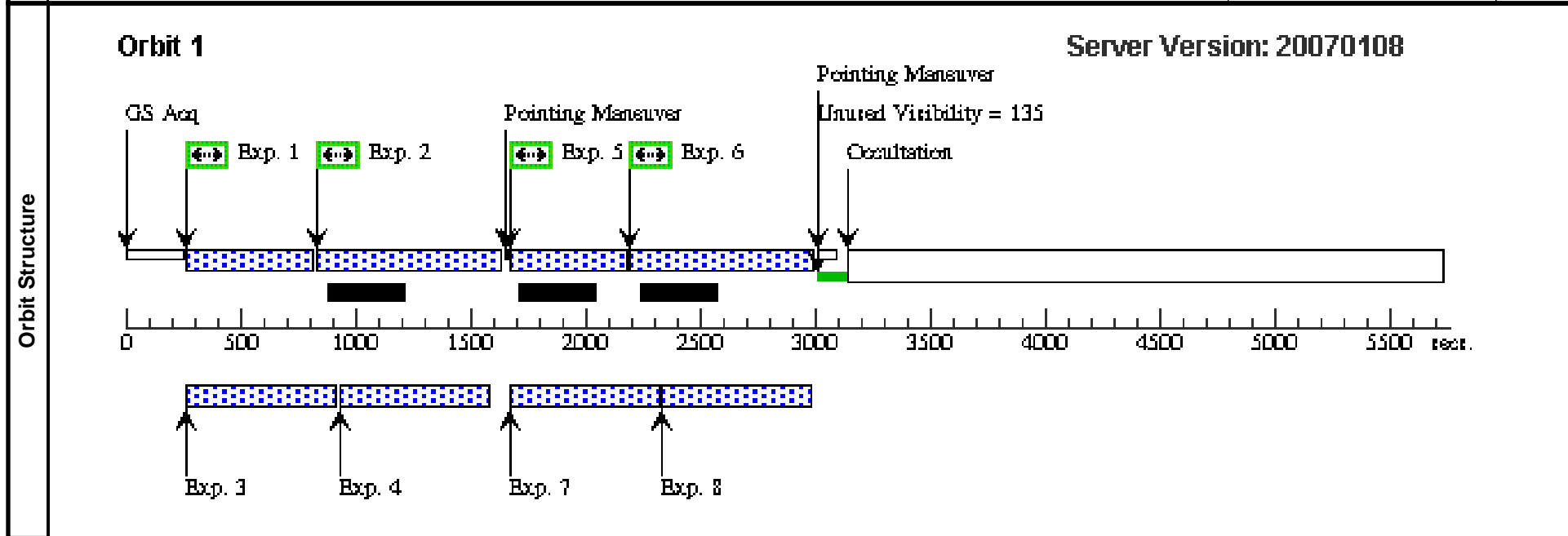
Proposal 10861 - Visit 25 - An ACS Treasury Survey of the Coma cluster of galaxies

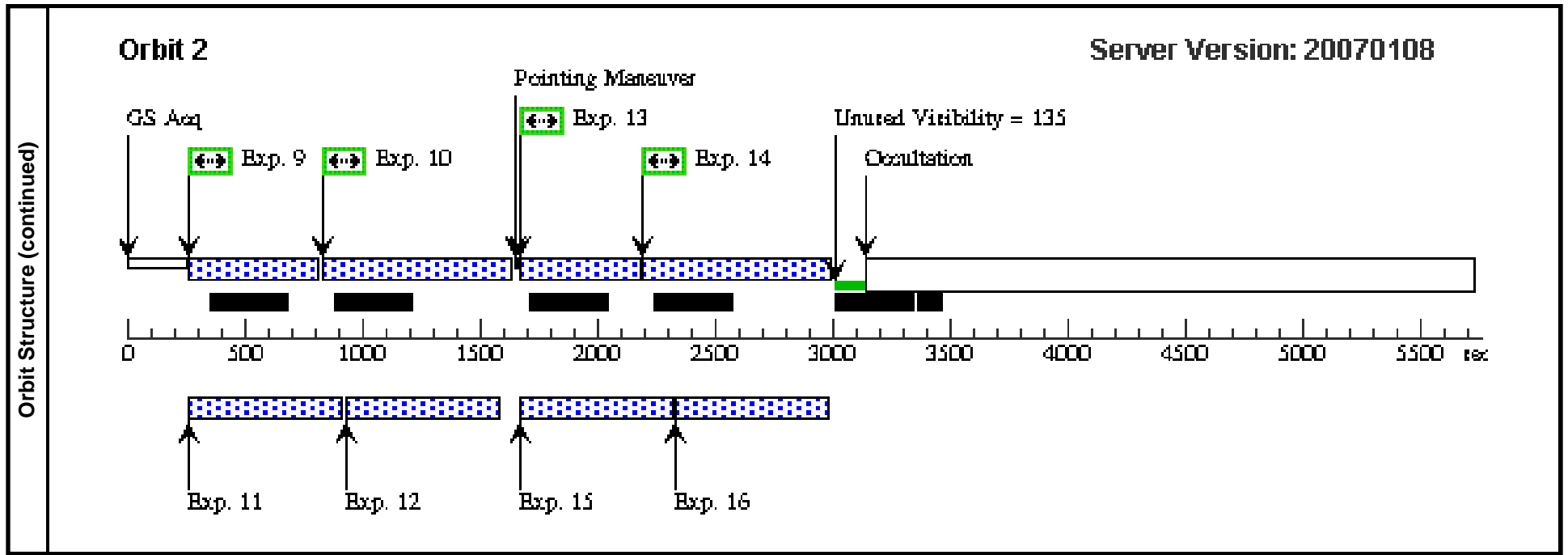
Fri Jan 26 02:17:55 GMT 2007

Visit		Proposal 10861, Visit 25, scheduling Diagnostic Status: No Diagnostics Scientific Instruments: ACS/WFC, NIC3 Special Requirements: ORIENT 282.0D TO 282.0 D								
Fixed Targets	#	Name	Target Coordinates	Targ. Coord. Corrections	Fluxes	Miscellaneous				
		(1)	COMA4-4	RA: 12 59 48.3000 (194.9512500d) Dec: +27 55 21.00 (27.92250d) Equinox: J2000		V=22.0	Reference Frame: ICRS			
Exposures	#	Label	Target	Config,Mode,Aperture	Spectral Els.	Opt. Params.	Special Reqs.	Groups	Exp. Time/[Actual Dur.]	Orbit
	1	F814	(1) COMA4-4	ACS/WFC, ACCUM, WFC	F814W	CR-SPLIT=NO	GS ACQ SCENARI O SINGLE	Prime + Parallel Group 1-4	350.0 Secs [==>]	[1]
	2	F475	(1) COMA4-4	ACS/WFC, ACCUM, WFC	F475W	CR-SPLIT=NO		Prime + Parallel Group 1-4	640.0 Secs [==>]	[1]
	3	NICMOS H	ANY	NIC3, MULTIACCUM, NIC3	F160W	SAMP-SEQ=SPARS 128; NSAMP=7		Prime + Parallel Group 1-4	[==>]	[1]
	4	NICMOS J	ANY	NIC3, MULTIACCUM, NIC3-FIX	F110W	SAMP-SEQ=SPARS 128; NSAMP=7		Prime + Parallel Group 1-4	[==>]	[1]
	5	F814	(1) COMA4-4	ACS/WFC, ACCUM, WFC	F814W	CR-SPLIT=NO	POS TARG 0.222,0.092	Prime + Parallel Group 5-8	350.0 Secs [==>]	[1]
	6	F475	(1) COMA4-4	ACS/WFC, ACCUM, WFC	F475W	CR-SPLIT=NO	SAME POS AS 5	Prime + Parallel Group 5-8	640.0 Secs [==>]	[1]
	7	NICMOS H	ANY	NIC3, MULTIACCUM, NIC3	F160W	SAMP-SEQ=SPARS 128; NSAMP=7		Prime + Parallel Group 5-8	[==>]	[1]
	8	NICMOS J	ANY	NIC3, MULTIACCUM, NIC3-FIX	F110W	SAMP-SEQ=SPARS 128; NSAMP=7		Prime + Parallel Group 5-8	[==>]	[1]
	9	F814	(1) COMA4-4	ACS/WFC, ACCUM, WFC	F814W	CR-SPLIT=NO	POS TARG 0.247,3.001; NEW OBSET FULL ACQ; GS ACQ SCENARI O SINGLE	Prime + Parallel Group 9-12	350.0 Secs [==>]	[2]
10	F475	(1) COMA4-4	ACS/WFC, ACCUM, WFC	F475W	CR-SPLIT=NO	SAME POS AS 9	Prime + Parallel Group 9-12	640.0 Secs [==>]	[2]	

Proposal 10861 - Visit 25 - An ACS Treasury Survey of the Coma cluster of galaxies

#	Label	Target	Config,Mode,Aperture	Spectral Els.	Opt. Params.	Special Reqs.	Groups	Exp. Time/[Actual Dur.]	Orbit
11	NICMOS H	ANY	NIC3, MULTIACCUM, NIC3	F160W	SAMP-SEQ=SPARS 128; NSAMP=7		Prime + Parallel Group 9-12	[==>]	[2]
12	NICMOS J	ANY	NIC3, MULTIACCUM, NIC3-FIX	F110W	SAMP-SEQ=SPARS 128; NSAMP=7		Prime + Parallel Group 9-12	[==>]	[2]
13	F814	(1) COMA4-4	ACS/WFC, ACCUM, WFC	F814W	CR-SPLIT=NO	POS TARG 0.469,3.093	Prime + Parallel Group 13-16	350.0 Secs [==>]	[2]
14	F475	(1) COMA4-4	ACS/WFC, ACCUM, WFC	F475W	CR-SPLIT=NO	SAME POS AS 13	Prime + Parallel Group 13-16	640.0 Secs [==>]	[2]
15	NICMOS H	ANY	NIC3, MULTIACCUM, NIC3	F160W	SAMP-SEQ=SPARS 128; NSAMP=7		Prime + Parallel Group 13-16	[==>]	[2]
16	NICMOS J	ANY	NIC3, MULTIACCUM, NIC3-FIX	F110W	SAMP-SEQ=SPARS 128; NSAMP=7		Prime + Parallel Group 13-16	[==>]	[2]

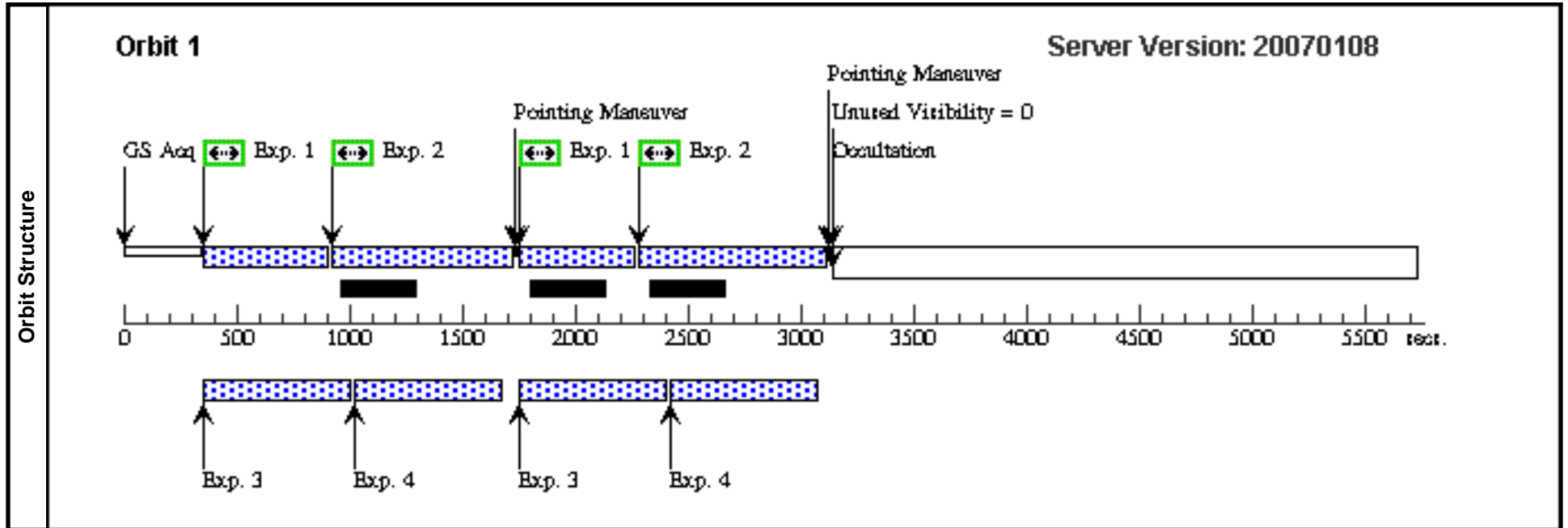


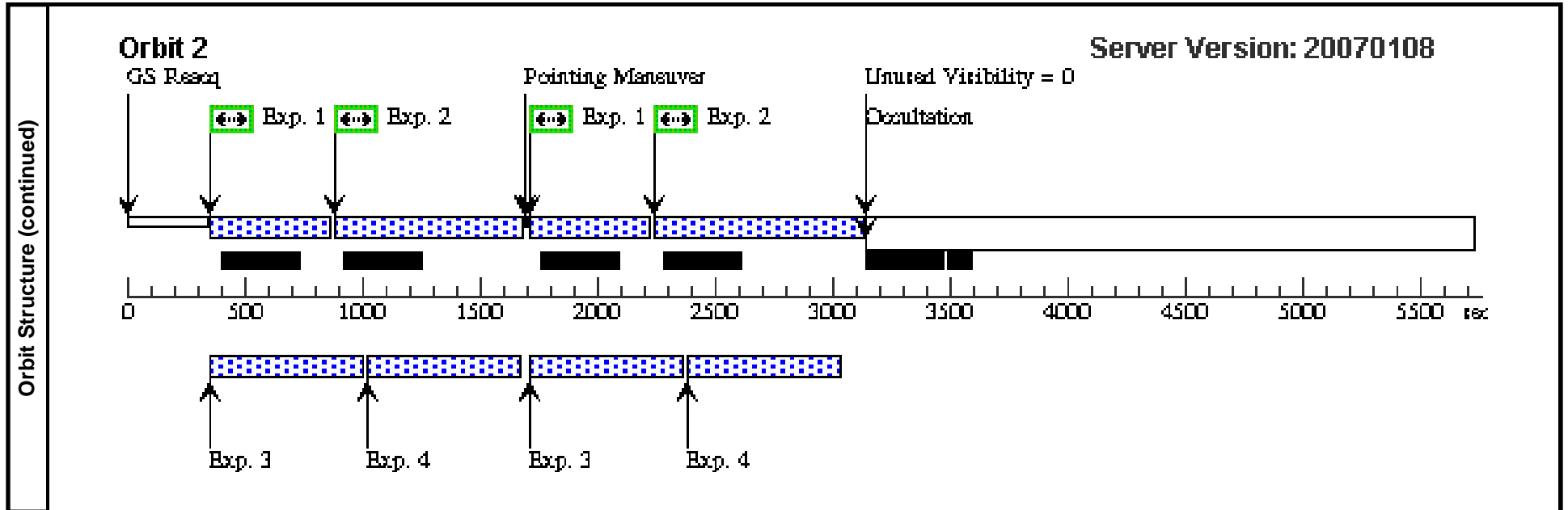


Proposal 10861 - Visit 26 - An ACS Treasury Survey of the Coma cluster of galaxies

Fri Jan 26 02:17:55 GMT 2007

Visit	Proposal 10861, Visit 26, scheduling Diagnostic Status: No Diagnostics Scientific Instruments: ACS/WFC, NIC3 Special Requirements: SAME ORIENT AS 01									
	Patterns	#	Primary Pattern			Secondary Pattern			Exposures	
		(1)	Pattern Type=ACS-WFC-DITHER-LINE Purpose=DITHER Number Of Points=2 Point Spacing=3.011 Line Spacing=	Coordinate Frame=POS-TARG Pattern Orientation=85.3 Angle Between Sides= Center Pattern=false	Pattern Type=LINE Purpose=DITHER Number Of Points=2 Point Spacing=0.241 Line Spacing=	Coordinate Frame=POS-TARG Pattern Orientation=22.3 Angle Between Sides= Center Pattern=false	(1-4)			
Fixed Targets	#	Name	Target Coordinates	Targ. Coord. Corrections	Fluxes	Miscellaneous				
	(5)	COMA4-5	RA: 12 59 32.7000 (194.8862500d) Dec: +27 55 21.00 (27.92250d) Equinox: J2000		V=22.0	Reference Frame: ICRS				
Exposures	#	Label	Target	Config,Mode,Aperture	Spectral Els.	Opt. Params.	Special Reqs.	Groups	Exp. Time/[Actual Dur.]	Orbit
	1	F814	(5) COMA4-5	ACS/WFC, ACCUM, WFC	F814W	CR-SPLIT=NO		Pattern 1-4 (1) Prime + Parallel Group 1-4	350.0 Secs [=>(Pattern 1,1)] [=>(Pattern 1,2)] [=>(Pattern 2,1)] [=>(Pattern 2,2)]	[1] [2]
	2	F475	(5) COMA4-5	ACS/WFC, ACCUM, WFC	F475W	CR-SPLIT=NO		Pattern 1-4 (1) Prime + Parallel Group 1-4	640.0 Secs [=>(Pattern 1,1)] [=>665.0 Secs (Pattern 1,2)] [=>(Pattern 2,1)] [=>732.0 Secs (Pattern 2,2)]	[1] [2]
	3	NICMOS H	ANY	NIC3, MULTIACCUM, NIC3	F160W	SAMP-SEQ=SPARS 128; NSAMP=7		Pattern 1-4 (1) Prime + Parallel Group 1-4	[=>(Pattern 1,1)] [=>(Pattern 1,2)] [=>(Pattern 2,1)] [=>(Pattern 2,2)]	[1] [2]
	4	NICMOS J	ANY	NIC3, MULTIACCUM, NIC3-FIX	F110W	SAMP-SEQ=SPARS 128; NSAMP=7		Pattern 1-4 (1) Prime + Parallel Group 1-4	[=>(Pattern 1,1)] [=>(Pattern 1,2)] [=>(Pattern 2,1)] [=>(Pattern 2,2)]	[1] [2]

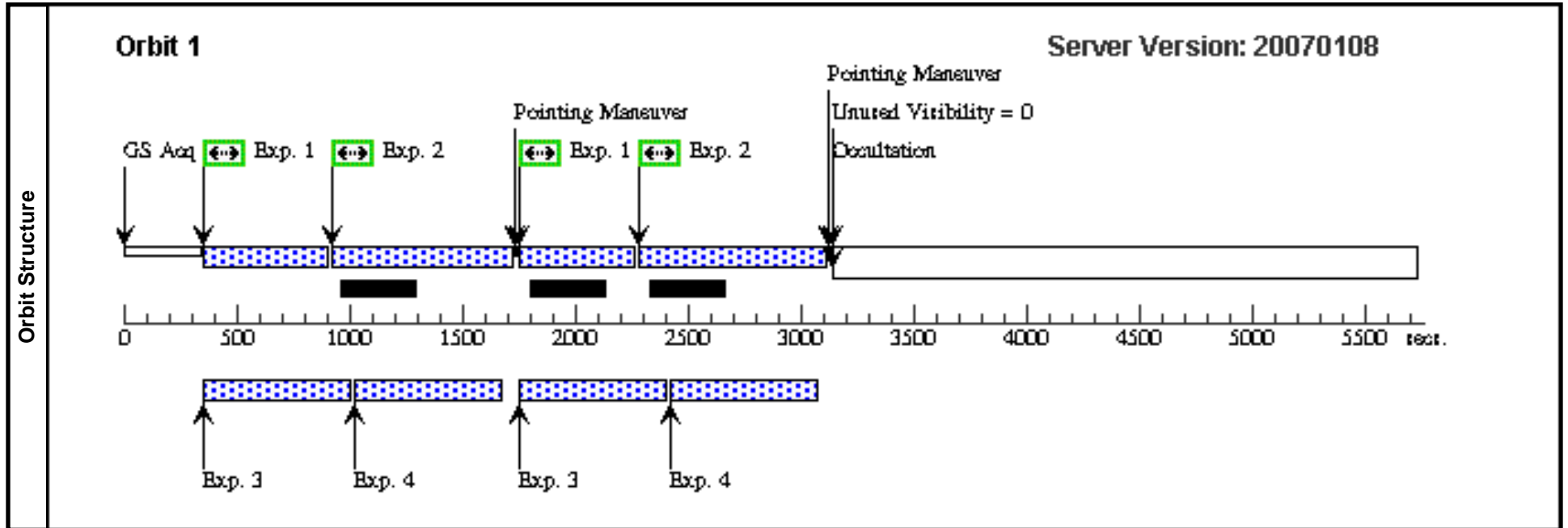


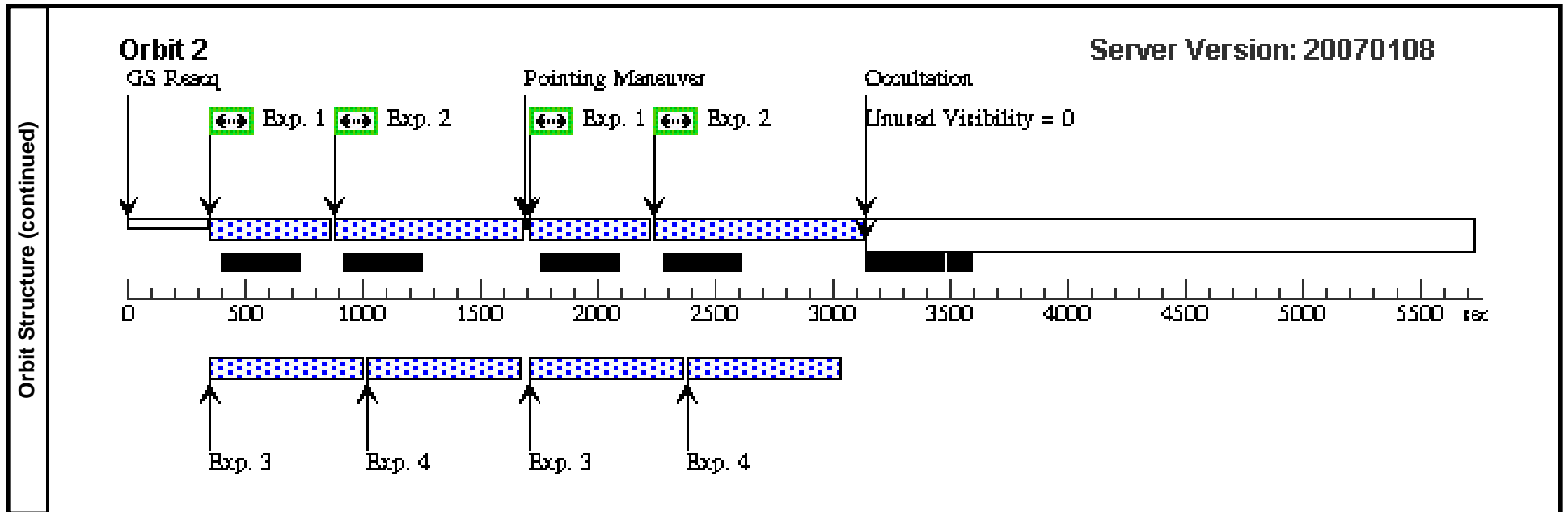


Proposal 10861 - Visit 27 - An ACS Treasury Survey of the Coma cluster of galaxies

Fri Jan 26 02:17:56 GMT 2007

Visit	Proposal 10861, Visit 27, scheduling Diagnostic Status: No Diagnostics Scientific Instruments: ACS/WFC, NIC3 Special Requirements: SAME ORIENT AS 01									
	Patterns	#	Primary Pattern				Secondary Pattern			
		(1)	Pattern Type=ACS-WFC-DITHER-LINE Purpose=DITHER Number Of Points=2 Point Spacing=3.011 Line Spacing=	Coordinate Frame=POS-TARG Pattern Orientation=85.3 Angle Between Sides= Center Pattern=false	Pattern Type=LINE Purpose=DITHER Number Of Points=2 Point Spacing=0.241 Line Spacing=	Coordinate Frame=POS-TARG Pattern Orientation=22.3 Angle Between Sides= Center Pattern=false	(1-4)			
Fixed Targets	#	Name	Target Coordinates	Targ. Coord. Corrections	Fluxes	Miscellaneous				
	(6)	COMA4-6	RA: 12 59 17.1000 (194.8212500d) Dec: +27 55 21.00 (27.92250d) Equinox: J2000		V=22.0	Reference Frame: ICRS				
Exposures	#	Label	Target	Config,Mode,Aperture	Spectral Els.	Opt. Params.	Special Reqs.	Groups	Exp. Time/[Actual Dur.]	Orbit
	1	F814	(6) COMA4-6	ACS/WFC, ACCUM, WFC	F814W	CR-SPLIT=NO		Pattern 1-4 (1) Prime + Parallel Group 1-4	350.0 Secs [=>(Pattern 1,1)] [=>(Pattern 1,2)] [=>(Pattern 2,1)] [=>(Pattern 2,2)]	[1] [2]
	2	F475	(6) COMA4-6	ACS/WFC, ACCUM, WFC	F475W	CR-SPLIT=NO		Pattern 1-4 (1) Prime + Parallel Group 1-4	640.0 Secs [=>(Pattern 1,1)] [=>665.0 Secs (Pattern 1,2)] [=>(Pattern 2,1)] [=>732.0 Secs (Pattern 2,2)]	[1] [2]
	3	NICMOS H	ANY	NIC3, MULTIACCUM, NIC3	F160W	SAMP-SEQ=SPARS 128; NSAMP=7		Pattern 1-4 (1) Prime + Parallel Group 1-4	[=>(Pattern 1,1)] [=>(Pattern 1,2)] [=>(Pattern 2,1)] [=>(Pattern 2,2)]	[1] [2]
	4	NICMOS J	ANY	NIC3, MULTIACCUM, NIC3-FIX	F110W	SAMP-SEQ=SPARS 128; NSAMP=7		Pattern 1-4 (1) Prime + Parallel Group 1-4	[=>(Pattern 1,1)] [=>(Pattern 1,2)] [=>(Pattern 2,1)] [=>(Pattern 2,2)]	[1] [2]

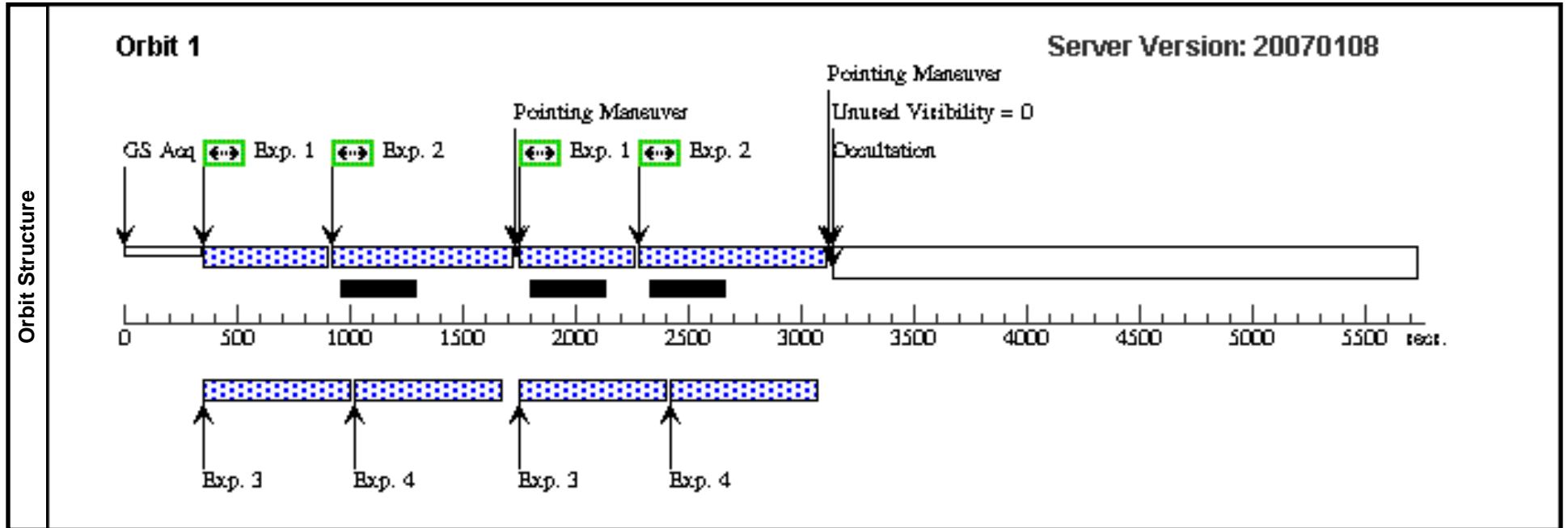


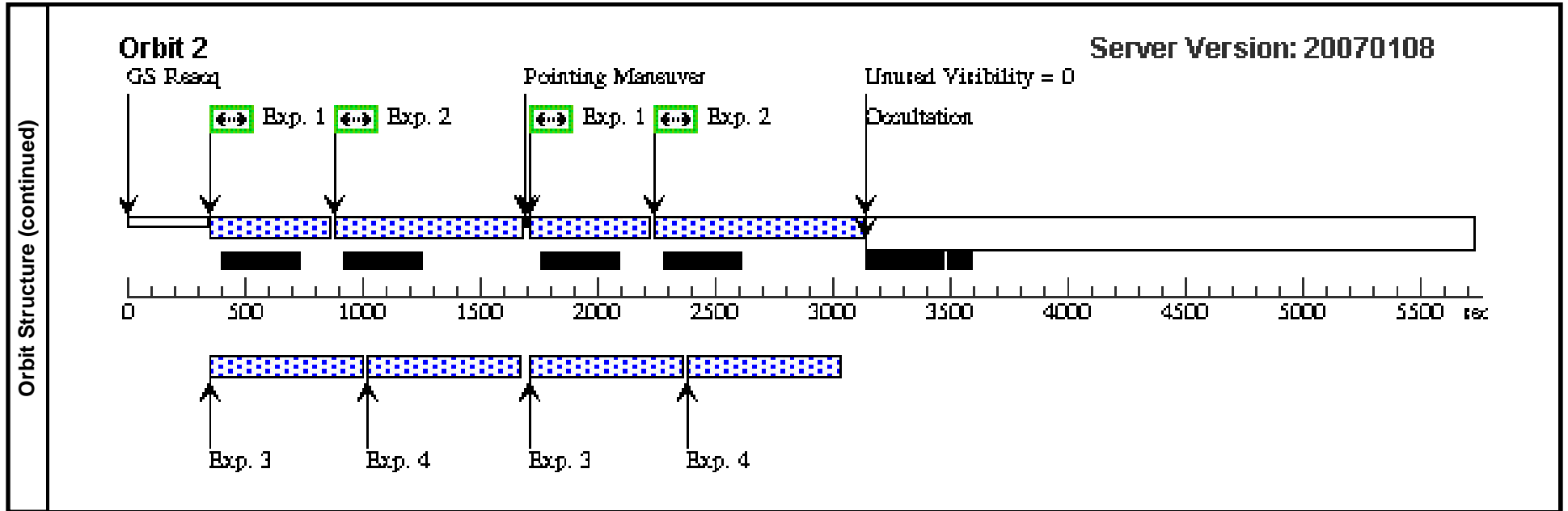


Proposal 10861 - Visit 28 - An ACS Treasury Survey of the Coma cluster of galaxies

Fri Jan 26 02:17:56 GMT 2007

Visit	Proposal 10861, Visit 28, scheduling Diagnostic Status: No Diagnostics Scientific Instruments: ACS/WFC, NIC3 Special Requirements: SAME ORIENT AS 01									
	Patterns	#	Primary Pattern			Secondary Pattern			Exposures	
		(1)	Pattern Type=ACS-WFC-DITHER-LINE Purpose=DITHER Number Of Points=2 Point Spacing=3.011 Line Spacing=	Coordinate Frame=POS-TARG Pattern Orientation=85.3 Angle Between Sides= Center Pattern=false	Pattern Type=LINE Purpose=DITHER Number Of Points=2 Point Spacing=0.241 Line Spacing=	Coordinate Frame=POS-TARG Pattern Orientation=22.3 Angle Between Sides= Center Pattern=false	(1-4)			
Fixed Targets	#	Name	Target Coordinates	Targ. Coord. Corrections	Fluxes	Miscellaneous				
	(7)	COMA4-7	RA: 12 59 1.5000 (194.7562500d) Dec: +27 55 21.00 (27.92250d) Equinox: J2000		V=22.0	Reference Frame: ICRS				
Exposures	#	Label	Target	Config,Mode,Aperture	Spectral Els.	Opt. Params.	Special Reqs.	Groups	Exp. Time/[Actual Dur.]	Orbit
	1	F814	(7) COMA4-7	ACS/WFC, ACCUM, WFC	F814W	CR-SPLIT=NO		Pattern 1-4 (1) Prime + Parallel Group 1-4	350.0 Secs [=>(Pattern 1,1)] [=>(Pattern 1,2)] [=>(Pattern 2,1)] [=>(Pattern 2,2)]	[1] [2]
	2	F475	(7) COMA4-7	ACS/WFC, ACCUM, WFC	F475W	CR-SPLIT=NO		Pattern 1-4 (1) Prime + Parallel Group 1-4	640.0 Secs [=>(Pattern 1,1)] [=>665.0 Secs (Pattern 1,2)] [=>(Pattern 2,1)] [=>732.0 Secs (Pattern 2,2)]	[1] [2]
	3	NICMOS H	ANY	NIC3, MULTIACCUM, NIC3	F160W	SAMP-SEQ=SPARS 128; NSAMP=7		Pattern 1-4 (1) Prime + Parallel Group 1-4	[=>(Pattern 1,1)] [=>(Pattern 1,2)] [=>(Pattern 2,1)] [=>(Pattern 2,2)]	[1] [2]
	4	NICMOS J	ANY	NIC3, MULTIACCUM, NIC3-FIX	F110W	SAMP-SEQ=SPARS 128; NSAMP=7		Pattern 1-4 (1) Prime + Parallel Group 1-4	[=>(Pattern 1,1)] [=>(Pattern 1,2)] [=>(Pattern 2,1)] [=>(Pattern 2,2)]	[1] [2]

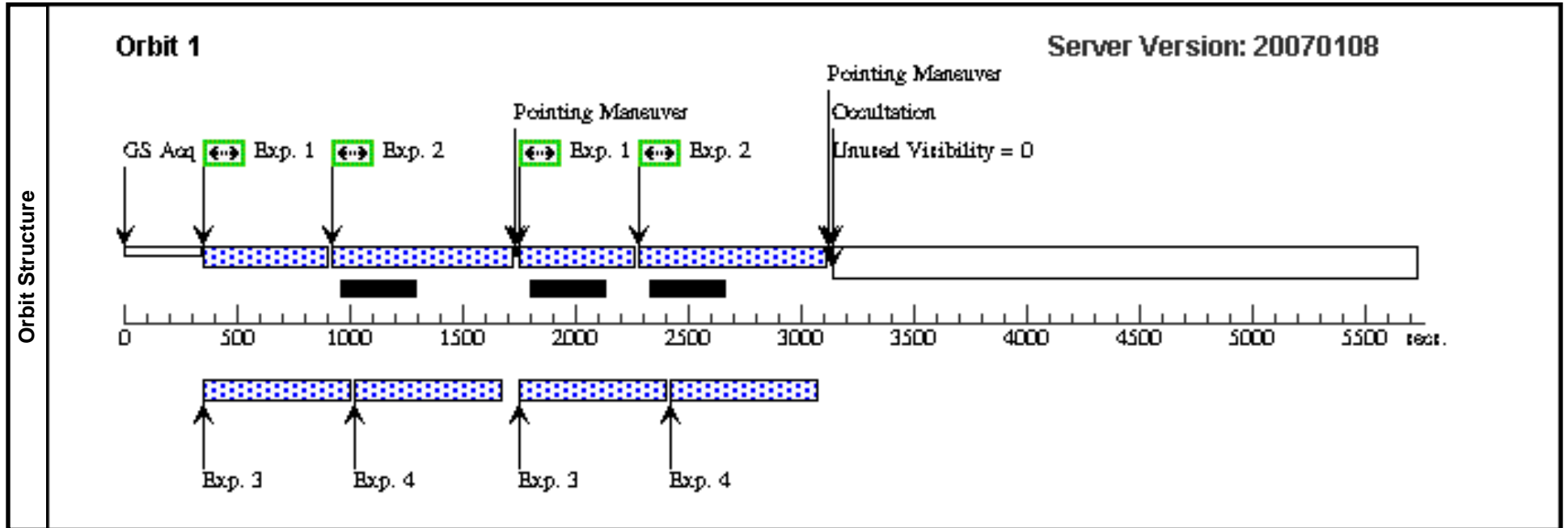


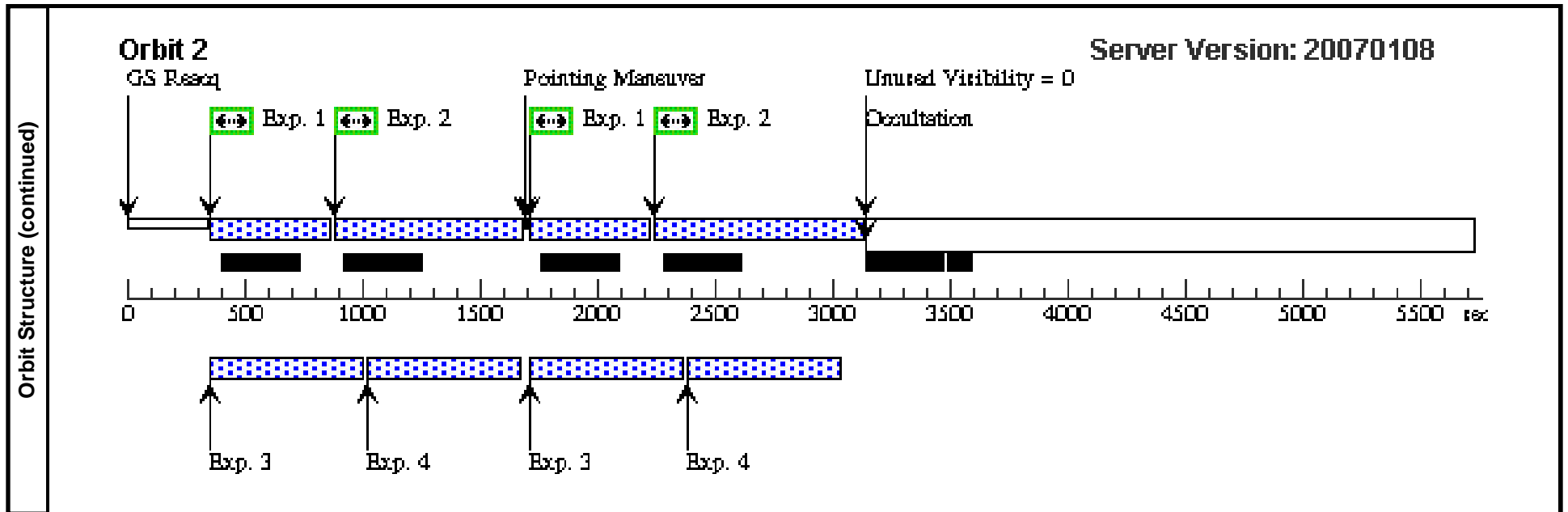


Proposal 10861 - Visit 29 - An ACS Treasury Survey of the Coma cluster of galaxies

Fri Jan 26 02:17:56 GMT 2007

Visit	Proposal 10861, Visit 29, scheduling Diagnostic Status: No Diagnostics Scientific Instruments: ACS/WFC, NIC3 Special Requirements: SAME ORIENT AS 01									
	Patterns	#	Primary Pattern			Secondary Pattern			Exposures	
		(1)	Pattern Type=ACS-WFC-DITHER-LINE Purpose=DITHER Number Of Points=2 Point Spacing=3.011 Line Spacing=	Coordinate Frame=POS-TARG Pattern Orientation=85.3 Angle Between Sides= Center Pattern=false	Pattern Type=LINE Purpose=DITHER Number Of Points=2 Point Spacing=0.241 Line Spacing=	Coordinate Frame=POS-TARG Pattern Orientation=22.3 Angle Between Sides= Center Pattern=false	(1-4)			
Fixed Targets	#	Name	Target Coordinates	Targ. Coord. Corrections	Fluxes	Miscellaneous				
	(32)	COMA5-1	RA: 13 00 31.5000 (195.1312500d) Dec: +27 52 10.00 (27.86944d) Equinox: J2000		V=22.0	Reference Frame: ICRS				
Exposures	#	Label	Target	Config,Mode,Aperture	Spectral Els.	Opt. Params.	Special Reqs.	Groups	Exp. Time/[Actual Dur.]	Orbit
	1	F814	(32) COMA5-1	ACS/WFC, ACCUM, WFC	F814W	CR-SPLIT=NO		Pattern 1-4 (1) Prime + Parallel Group 1-4	350.0 Secs [=>(Pattern 1,1)] [=>(Pattern 1,2)] [=>(Pattern 2,1)] [=>(Pattern 2,2)]	[1] [2]
	2	F475	(32) COMA5-1	ACS/WFC, ACCUM, WFC	F475W	CR-SPLIT=NO		Pattern 1-4 (1) Prime + Parallel Group 1-4	640.0 Secs [=>(Pattern 1,1)] [=>665.0 Secs (Pattern 1,2)] [=>(Pattern 2,1)] [=>732.0 Secs (Pattern 2,2)]	[1] [2]
	3	NICMOS H	ANY	NIC3, MULTIACCUM, NIC3	F160W	SAMP-SEQ=SPARS 128; NSAMP=7		Pattern 1-4 (1) Prime + Parallel Group 1-4	[=>(Pattern 1,1)] [=>(Pattern 1,2)] [=>(Pattern 2,1)] [=>(Pattern 2,2)]	[1] [2]
	4	NICMOS J	ANY	NIC3, MULTIACCUM, NIC3-FIX	F110W	SAMP-SEQ=SPARS 128; NSAMP=7		Pattern 1-4 (1) Prime + Parallel Group 1-4	[=>(Pattern 1,1)] [=>(Pattern 1,2)] [=>(Pattern 2,1)] [=>(Pattern 2,2)]	[1] [2]

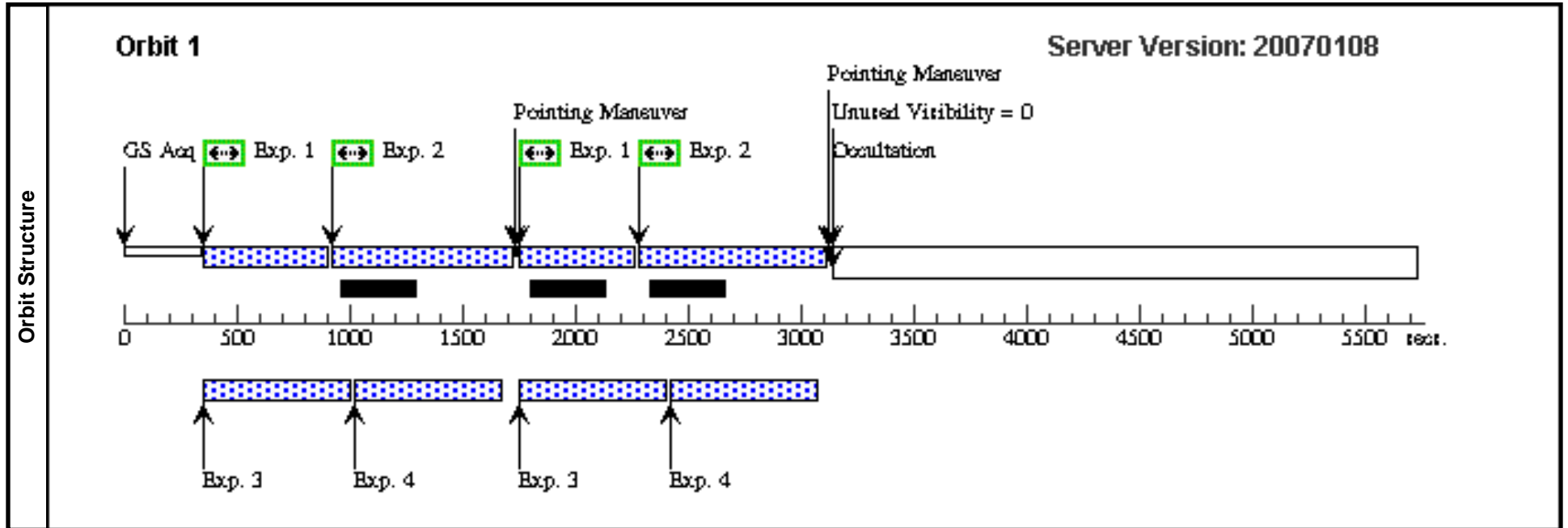


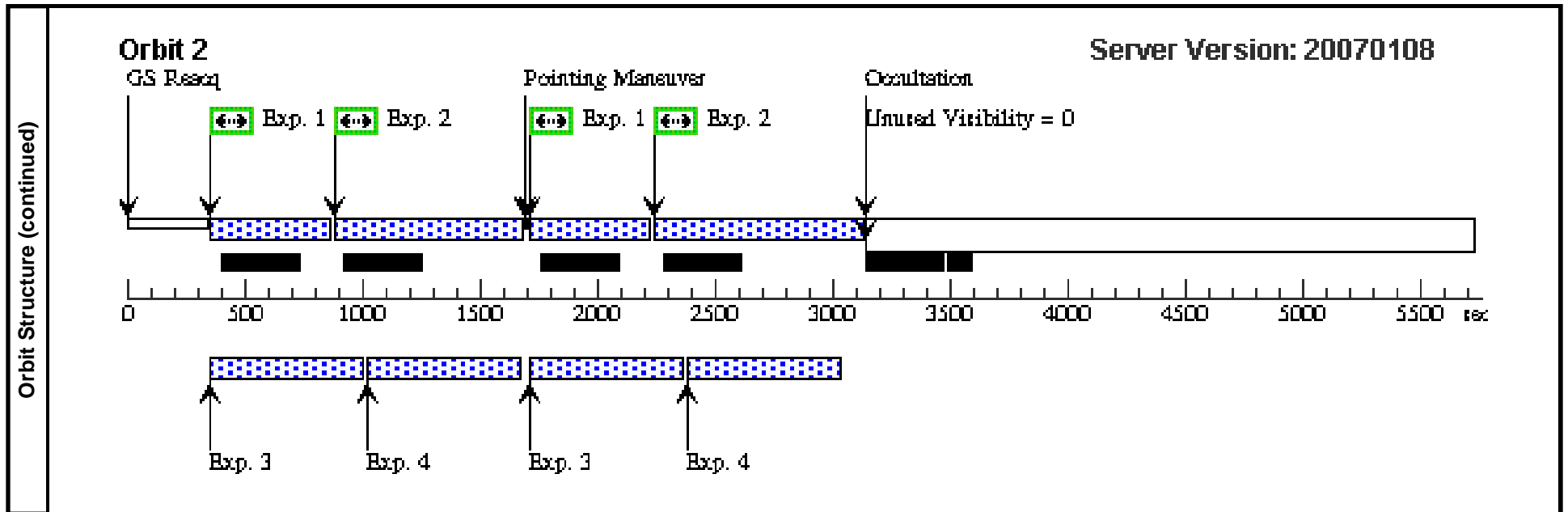


Proposal 10861 - Visit 30 - An ACS Treasury Survey of the Coma cluster of galaxies

Fri Jan 26 02:17:57 GMT 2007

Visit	Proposal 10861, Visit 30, scheduling Diagnostic Status: No Diagnostics Scientific Instruments: ACS/WFC, NIC3 Special Requirements: SAME ORIENT AS 01									
	Patterns	#	Primary Pattern			Secondary Pattern			Exposures	
		(1)	Pattern Type=ACS-WFC-DITHER-LINE Purpose=DITHER Number Of Points=2 Point Spacing=3.011 Line Spacing=	Coordinate Frame=POS-TARG Pattern Orientation=85.3 Angle Between Sides= Center Pattern=false	Pattern Type=LINE Purpose=DITHER Number Of Points=2 Point Spacing=0.241 Line Spacing=	Coordinate Frame=POS-TARG Pattern Orientation=22.3 Angle Between Sides= Center Pattern=false	(1-4)			
Fixed Targets	#	Name	Target Coordinates	Targ. Coord. Corrections	Fluxes	Miscellaneous				
	(31)	COMA5-2	RA: 13 00 15.9000 (195.0662500d) Dec: +27 52 10.00 (27.86944d) Equinox: J2000		V=22.0	Reference Frame: ICRS				
Exposures	#	Label	Target	Config,Mode,Aperture	Spectral Els.	Opt. Params.	Special Reqs.	Groups	Exp. Time/[Actual Dur.]	Orbit
	1	F814	(31) COMA5-2	ACS/WFC, ACCUM, WFC	F814W	CR-SPLIT=NO		Pattern 1-4 (1) Prime + Parallel Group 1-4	350.0 Secs [=>(Pattern 1,1)] [=>(Pattern 1,2)]	[1]
									[=>(Pattern 2,1)] [=>(Pattern 2,2)]	[2]
	2	F475	(31) COMA5-2	ACS/WFC, ACCUM, WFC	F475W	CR-SPLIT=NO		Pattern 1-4 (1) Prime + Parallel Group 1-4	640.0 Secs [=>(Pattern 1,1)] [=>665.0 Secs (Pattern 1,2)]	[1]
									[=>(Pattern 2,1)] [=>732.0 Secs (Pattern 2,2)]	[2]
	3	NICMOS H	ANY	NIC3, MULTIACCUM, NIC3	F160W	SAMP-SEQ=SPARS 128; NSAMP=7		Pattern 1-4 (1) Prime + Parallel Group 1-4	[=>(Pattern 1,1)] [=>(Pattern 1,2)]	[1]
									[=>(Pattern 2,1)] [=>(Pattern 2,2)]	[2]
	4	NICMOS J	ANY	NIC3, MULTIACCUM, NIC3-FIX	F110W	SAMP-SEQ=SPARS 128; NSAMP=7		Pattern 1-4 (1) Prime + Parallel Group 1-4	[=>(Pattern 1,1)] [=>(Pattern 1,2)]	[1]
								[=>(Pattern 2,1)] [=>(Pattern 2,2)]	[2]	

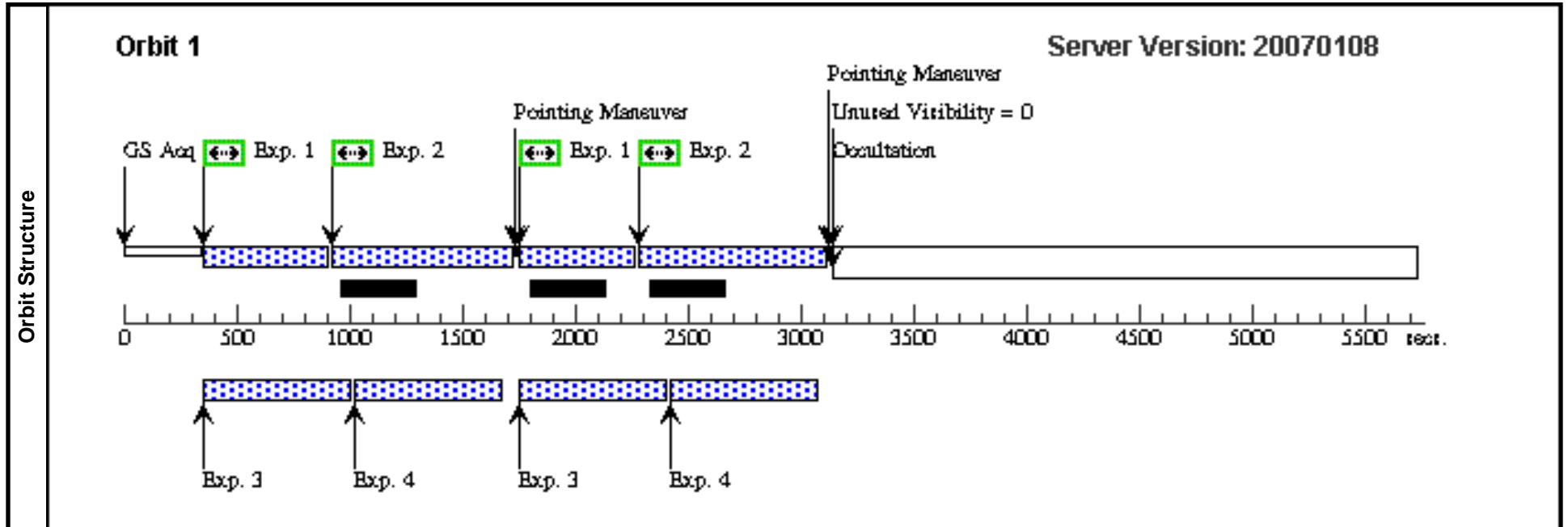


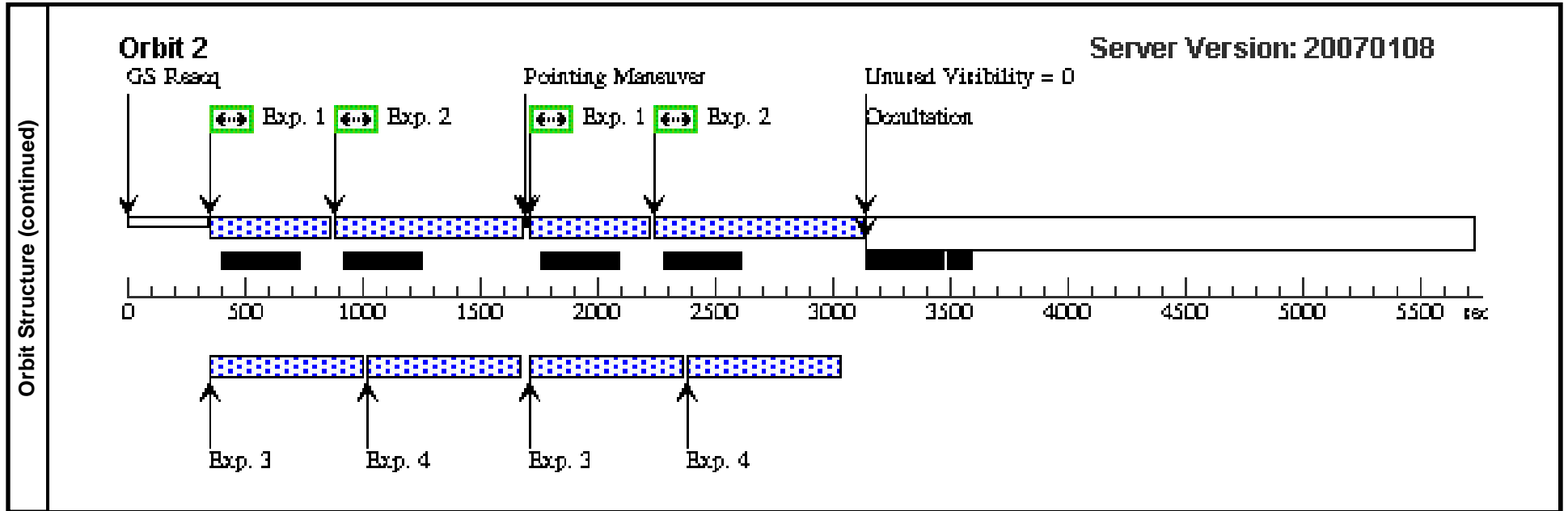


Proposal 10861 - Visit 31 - An ACS Treasury Survey of the Coma cluster of galaxies

Fri Jan 26 02:17:57 GMT 2007

Visit	Proposal 10861, Visit 31, scheduling Diagnostic Status: No Diagnostics Scientific Instruments: ACS/WFC, NIC3 Special Requirements: SAME ORIENT AS 01									
	Patterns	#	Primary Pattern	Secondary Pattern	Exposures					
	(1)	Pattern Type=ACS-WFC-DITHER-LINE Purpose=DITHER Number Of Points=2 Point Spacing=3.011 Line Spacing=	Coordinate Frame=POS-TARG Pattern Orientation=85.3 Angle Between Sides= Center Pattern=false	Pattern Type=LINE Purpose=DITHER Number Of Points=2 Point Spacing=0.241 Line Spacing=	Coordinate Frame=POS-TARG Pattern Orientation=22.3 Angle Between Sides= Center Pattern=false	(1-4)				
Fixed Targets	#	Name	Target Coordinates	Targ. Coord. Corrections	Fluxes	Miscellaneous				
	(30)	COMA5-3	RA: 13 00 0.3000 (195.0012500d) Dec: +27 52 10.00 (27.86944d) Equinox: J2000		V=22.0	Reference Frame: ICRS				
Exposures	#	Label	Target	Config,Mode,Aperture	Spectral Els.	Opt. Params.	Special Reqs.	Groups	Exp. Time/[Actual Dur.]	Orbit
	1	F814	(30) COMA5-3	ACS/WFC, ACCUM, WFC	F814W	CR-SPLIT=NO		Pattern 1-4 (1) Prime + Parallel Group 1-4	350.0 Secs [==>(Pattern 1,1)] [==>(Pattern 1,2)] [==>(Pattern 2,1)] [==>(Pattern 2,2)]	[1] [2]
	2	F475	(30) COMA5-3	ACS/WFC, ACCUM, WFC	F475W	CR-SPLIT=NO		Pattern 1-4 (1) Prime + Parallel Group 1-4	640.0 Secs [==>(Pattern 1,1)] [==>665.0 Secs (Pattern 1,2)] [==>(Pattern 2,1)] [==>732.0 Secs (Pattern 2,2)]	[1] [2]
	3	NICMOS H	ANY	NIC3, MULTIACCUM, NIC3	F160W	SAMP-SEQ=SPARS 128; NSAMP=7		Pattern 1-4 (1) Prime + Parallel Group 1-4	[==>(Pattern 1,1)] [==>(Pattern 1,2)] [==>(Pattern 2,1)] [==>(Pattern 2,2)]	[1] [2]
	4	NICMOS J	ANY	NIC3, MULTIACCUM, NIC3-FIX	F110W	SAMP-SEQ=SPARS 128; NSAMP=7		Pattern 1-4 (1) Prime + Parallel Group 1-4	[==>(Pattern 1,1)] [==>(Pattern 1,2)] [==>(Pattern 2,1)] [==>(Pattern 2,2)]	[1] [2]

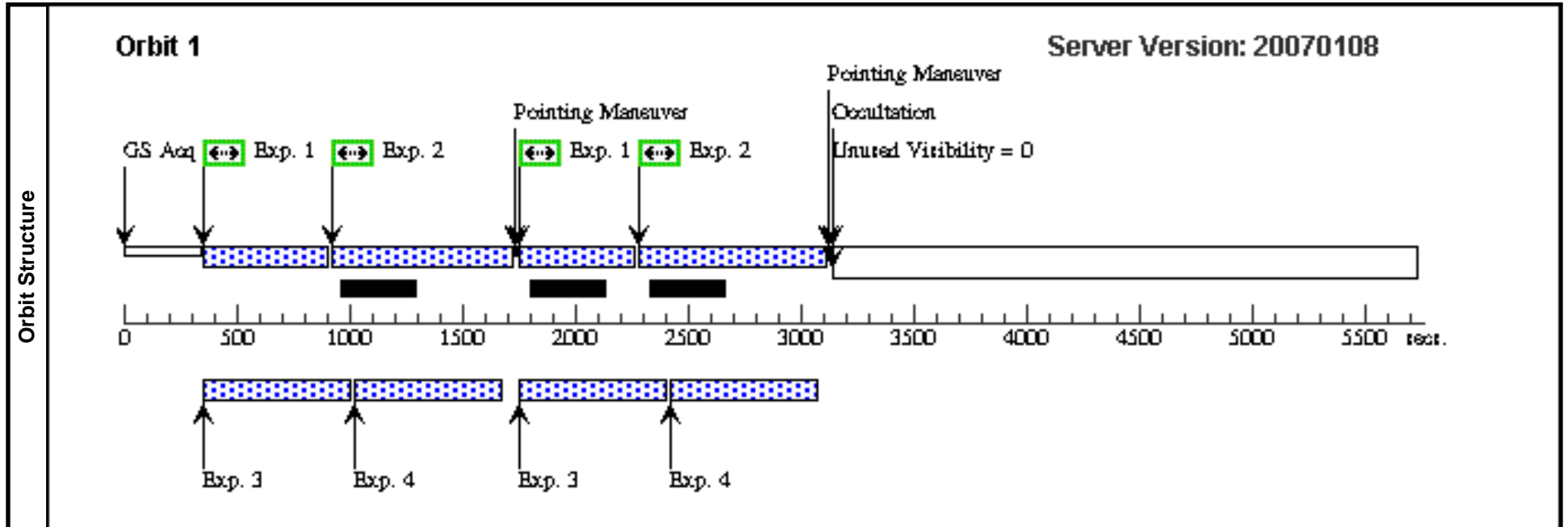


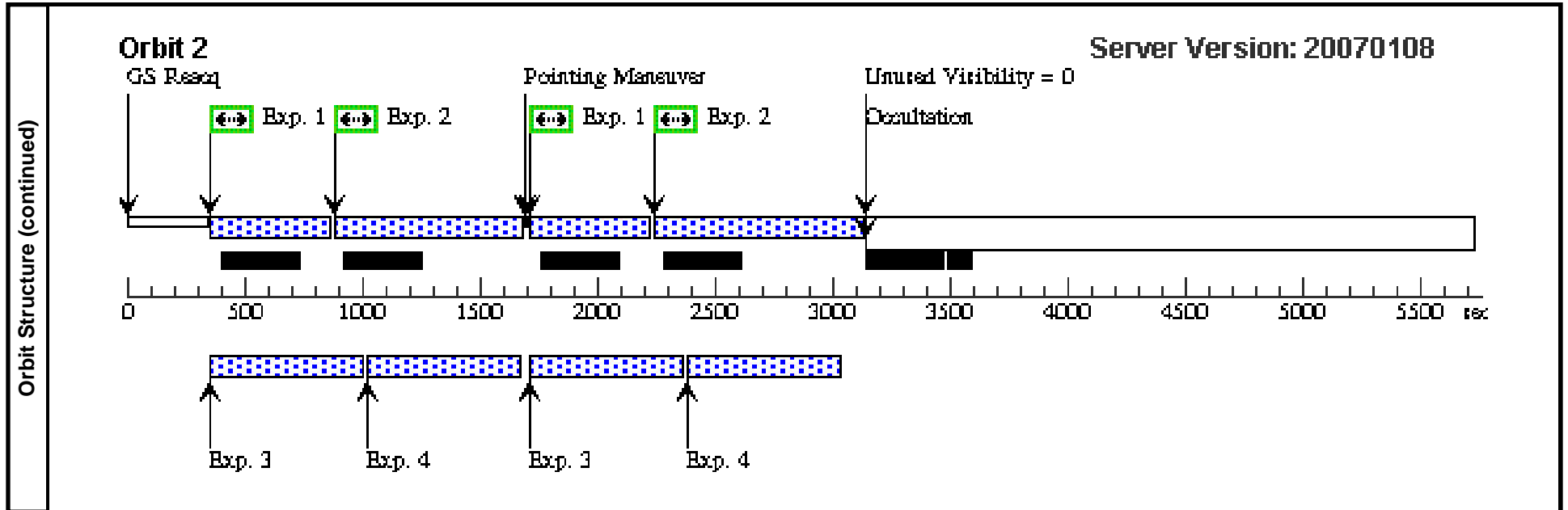


Proposal 10861 - Visit 32 - An ACS Treasury Survey of the Coma cluster of galaxies

Fri Jan 26 02:17:58 GMT 2007

Visit	Proposal 10861, Visit 32, scheduling Diagnostic Status: No Diagnostics Scientific Instruments: ACS/WFC, NIC3 Special Requirements: SAME ORIENT AS 01									
	Patterns	#	Primary Pattern			Secondary Pattern			Exposures	
		(1)	Pattern Type=ACS-WFC-DITHER-LINE Purpose=DITHER Number Of Points=2 Point Spacing=3.011 Line Spacing=	Coordinate Frame=POS-TARG Pattern Orientation=85.3 Angle Between Sides= Center Pattern=false	Pattern Type=LINE Purpose=DITHER Number Of Points=2 Point Spacing=0.241 Line Spacing=	Coordinate Frame=POS-TARG Pattern Orientation=22.3 Angle Between Sides= Center Pattern=false	(1-4)			
Fixed Targets	#	Name	Target Coordinates	Targ. Coord. Corrections		Fluxes	Miscellaneous			
	(29)	COMA5-4	RA: 12 59 44.7000 (194.9362500d) Dec: +27 52 10.00 (27.86944d) Equinox: J2000			V=22.0	Reference Frame: ICRS			
Exposures	#	Label	Target	Config,Mode,Aperture	Spectral Els.	Opt. Params.	Special Reqs.	Groups	Exp. Time/[Actual Dur.]	Orbit
	1	F814	(29) COMA5-4	ACS/WFC, ACCUM, WFC	F814W	CR-SPLIT=NO		Pattern 1-4 (1) Prime + Parallel Group 1-4	350.0 Secs [==>(Pattern 1,1)] [==>(Pattern 1,2)] [==>(Pattern 2,1)] [==>(Pattern 2,2)]	[1] [2]
	2	F475	(29) COMA5-4	ACS/WFC, ACCUM, WFC	F475W	CR-SPLIT=NO		Pattern 1-4 (1) Prime + Parallel Group 1-4	640.0 Secs [==>(Pattern 1,1)] [==>665.0 Secs (Pattern 1,2)] [==>(Pattern 2,1)] [==>732.0 Secs (Pattern 2,2)]	[1] [2]
	3	NICMOS H	ANY	NIC3, MULTIACCUM, NIC3	F160W	SAMP-SEQ=SPARS 128; NSAMP=7		Pattern 1-4 (1) Prime + Parallel Group 1-4	[==>(Pattern 1,1)] [==>(Pattern 1,2)] [==>(Pattern 2,1)] [==>(Pattern 2,2)]	[1] [2]
	4	NICMOS J	ANY	NIC3, MULTIACCUM, NIC3-FIX	F110W	SAMP-SEQ=SPARS 128; NSAMP=7		Pattern 1-4 (1) Prime + Parallel Group 1-4	[==>(Pattern 1,1)] [==>(Pattern 1,2)] [==>(Pattern 2,1)] [==>(Pattern 2,2)]	[1] [2]

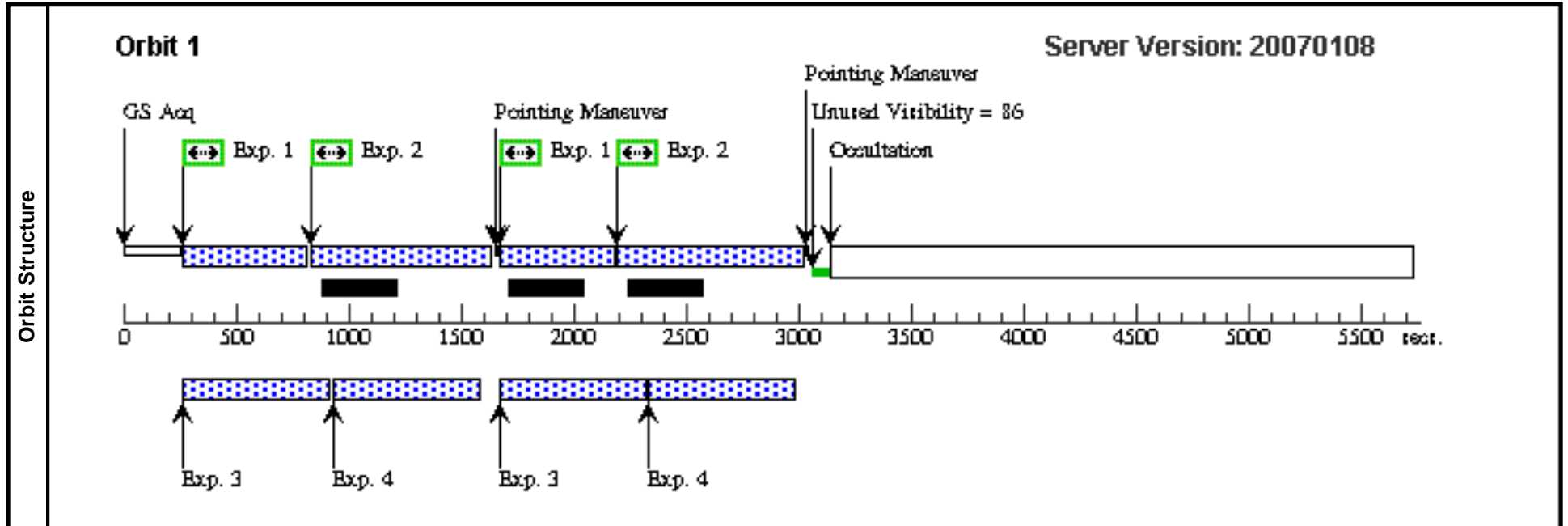


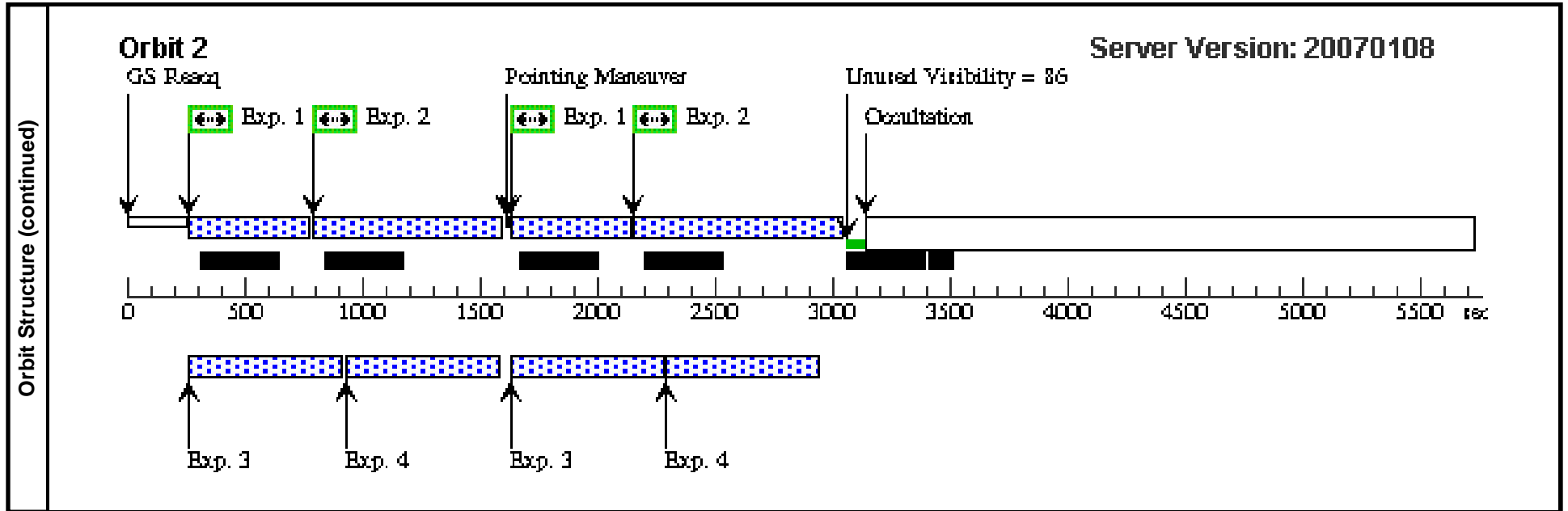


Proposal 10861 - Visit 33 - An ACS Treasury Survey of the Coma cluster of galaxies

Fri Jan 26 02:17:58 GMT 2007

Visit	Proposal 10861, Visit 33, completed Diagnostic Status: No Diagnostics Scientific Instruments: ACS/WFC, NIC3 Special Requirements: ORIENT 282.0D TO 282.0 D									
	Patterns	#	Primary Pattern			Secondary Pattern			Exposures	
		(1)	Pattern Type=ACS-WFC-DITHER-LINE Purpose=DITHER Number Of Points=2 Point Spacing=3.011 Line Spacing=	Coordinate Frame=POS-TARG Pattern Orientation=85.3 Angle Between Sides= Center Pattern=false	Pattern Type=LINE Purpose=DITHER Number Of Points=2 Point Spacing=0.241 Line Spacing=	Coordinate Frame=POS-TARG Pattern Orientation=22.3 Angle Between Sides= Center Pattern=false	(1-4)			
Fixed Targets	#	Name	Target Coordinates	Targ. Coord. Corrections	Fluxes	Miscellaneous				
	(33)	COMA5-5	RA: 12 59 29.1000 (194.8712500d) Dec: +27 52 10.00 (27.86944d) Equinox: J2000		V=22.0	Reference Frame: ICRS				
Exposures	#	Label	Target	Config,Mode,Aperture	Spectral Els.	Opt. Params.	Special Reqs.	Groups	Exp. Time/[Actual Dur.]	Orbit
	1	F814	(33) COMA5-5	ACS/WFC, ACCUM, WFC	F814W	CR-SPLIT=NO	GS ACQ SCENARI O SINGLE	Pattern 1-4 (1) Prime + Parallel Group 1-4	350.0 Secs [==>(Pattern 1,1)] [==>(Pattern 1,2)] [==>(Pattern 2,1)] [==>(Pattern 2,2)]	[1] [2]
	2	F475	(33) COMA5-5	ACS/WFC, ACCUM, WFC	F475W	CR-SPLIT=NO		Pattern 1-4 (1) Prime + Parallel Group 1-4	640.0 Secs [==>(Pattern 1,1)] [==>665.0 Secs (Pattern 1,2)] [==>(Pattern 2,1)] [==>732.0 Secs (Pattern 2,2)]	[1] [2]
	3	NICMOS H	ANY	NIC3, MULTIACCUM, NIC3	F160W	SAMP-SEQ=SPARS 128; NSAMP=7		Pattern 1-4 (1) Prime + Parallel Group 1-4	[==>(Pattern 1,1)] [==>(Pattern 1,2)] [==>(Pattern 2,1)] [==>(Pattern 2,2)]	[1] [2]
	4	NICMOS J	ANY	NIC3, MULTIACCUM, NIC3-FIX	F110W	SAMP-SEQ=SPARS 128; NSAMP=7		Pattern 1-4 (1) Prime + Parallel Group 1-4	[==>(Pattern 1,1)] [==>(Pattern 1,2)] [==>(Pattern 2,1)] [==>(Pattern 2,2)]	[1] [2]

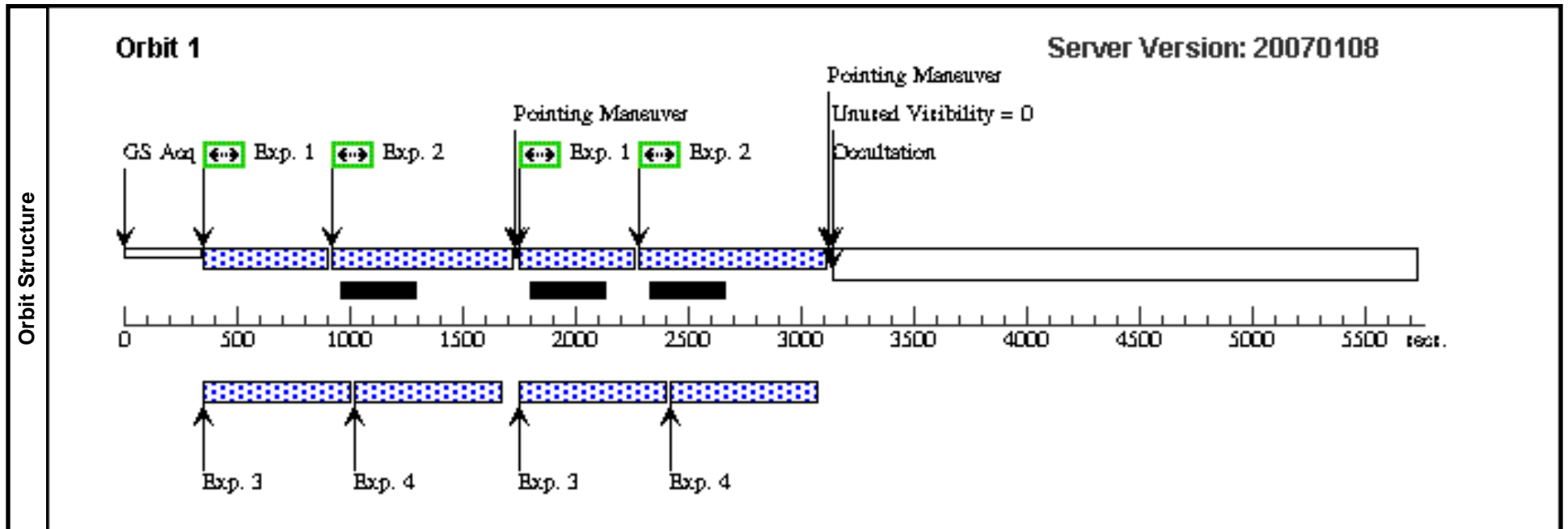


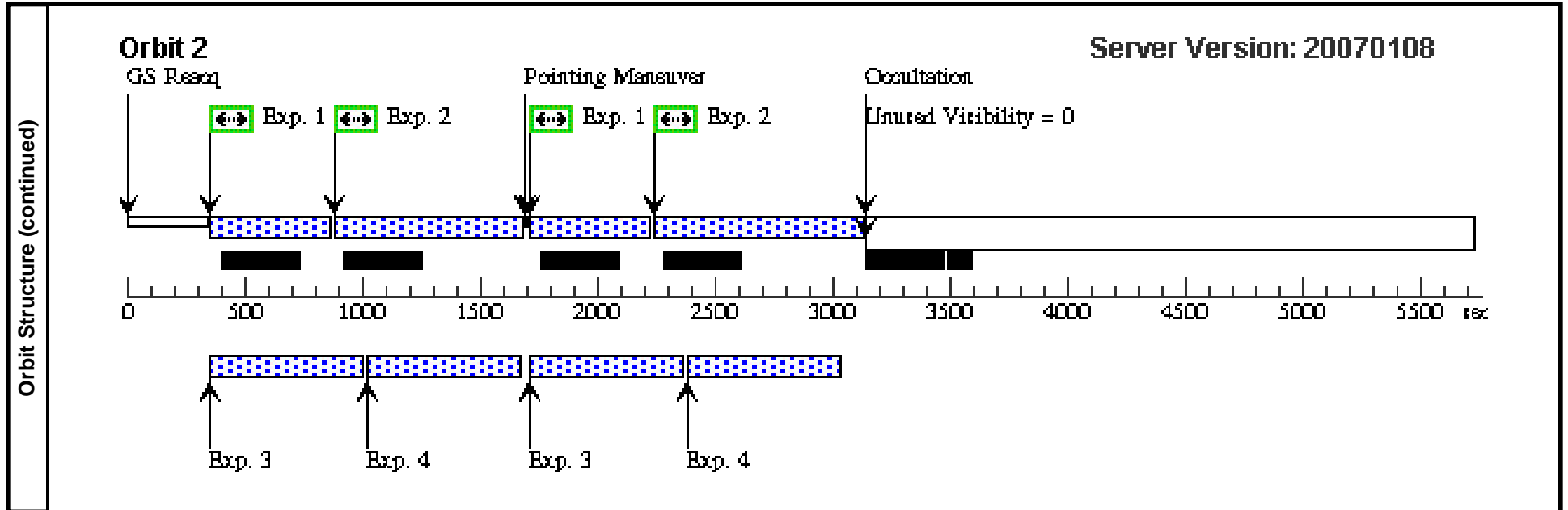


Proposal 10861 - Visit 34 - An ACS Treasury Survey of the Coma cluster of galaxies

Fri Jan 26 02:17:59 GMT 2007

Visit	Proposal 10861, Visit 34, scheduling Diagnostic Status: No Diagnostics Scientific Instruments: ACS/WFC, NIC3 Special Requirements: SAME ORIENT AS 01									
	Patterns	#	Primary Pattern			Secondary Pattern			Exposures	
		(1)	Pattern Type=ACS-WFC-DITHER-LINE Purpose=DITHER Number Of Points=2 Point Spacing=3.011 Line Spacing=	Coordinate Frame=POS-TARG Pattern Orientation=85.3 Angle Between Sides= Center Pattern=false	Pattern Type=LINE Purpose=DITHER Number Of Points=2 Point Spacing=0.241 Line Spacing=	Coordinate Frame=POS-TARG Pattern Orientation=22.3 Angle Between Sides= Center Pattern=false	(1-4)			
Fixed Targets	#	Name	Target Coordinates	Targ. Coord. Corrections	Fluxes	Miscellaneous				
	(34)	COMA5-6	RA: 12 59 13.5000 (194.8062500d) Dec: +27 52 10.00 (27.86944d) Equinox: J2000		V=22.0	Reference Frame: ICRS				
Exposures	#	Label	Target	Config,Mode,Aperture	Spectral Els.	Opt. Params.	Special Reqs.	Groups	Exp. Time/[Actual Dur.]	Orbit
	1	F814	(34) COMA5-6	ACS/WFC, ACCUM, WFC	F814W	CR-SPLIT=NO		Pattern 1-4 (1) Prime + Parallel Group 1-4	350.0 Secs [==>(Pattern 1,1)] [==>(Pattern 1,2)] [==>(Pattern 2,1)] [==>(Pattern 2,2)]	[1] [2]
	2	F475	(34) COMA5-6	ACS/WFC, ACCUM, WFC	F475W	CR-SPLIT=NO		Pattern 1-4 (1) Prime + Parallel Group 1-4	640.0 Secs [==>(Pattern 1,1)] [==>665.0 Secs (Pattern 1,2)] [==>(Pattern 2,1)] [==>732.0 Secs (Pattern 2,2)]	[1] [2]
	3	NICMOS H	ANY	NIC3, MULTIACCUM, NIC3	F160W	SAMP-SEQ=SPARS 128; NSAMP=7		Pattern 1-4 (1) Prime + Parallel Group 1-4	[==>(Pattern 1,1)] [==>(Pattern 1,2)] [==>(Pattern 2,1)] [==>(Pattern 2,2)]	[1] [2]
	4	NICMOS J	ANY	NIC3, MULTIACCUM, NIC3-FIX	F110W	SAMP-SEQ=SPARS 128; NSAMP=7		Pattern 1-4 (1) Prime + Parallel Group 1-4	[==>(Pattern 1,1)] [==>(Pattern 1,2)] [==>(Pattern 2,1)] [==>(Pattern 2,2)]	[1] [2]

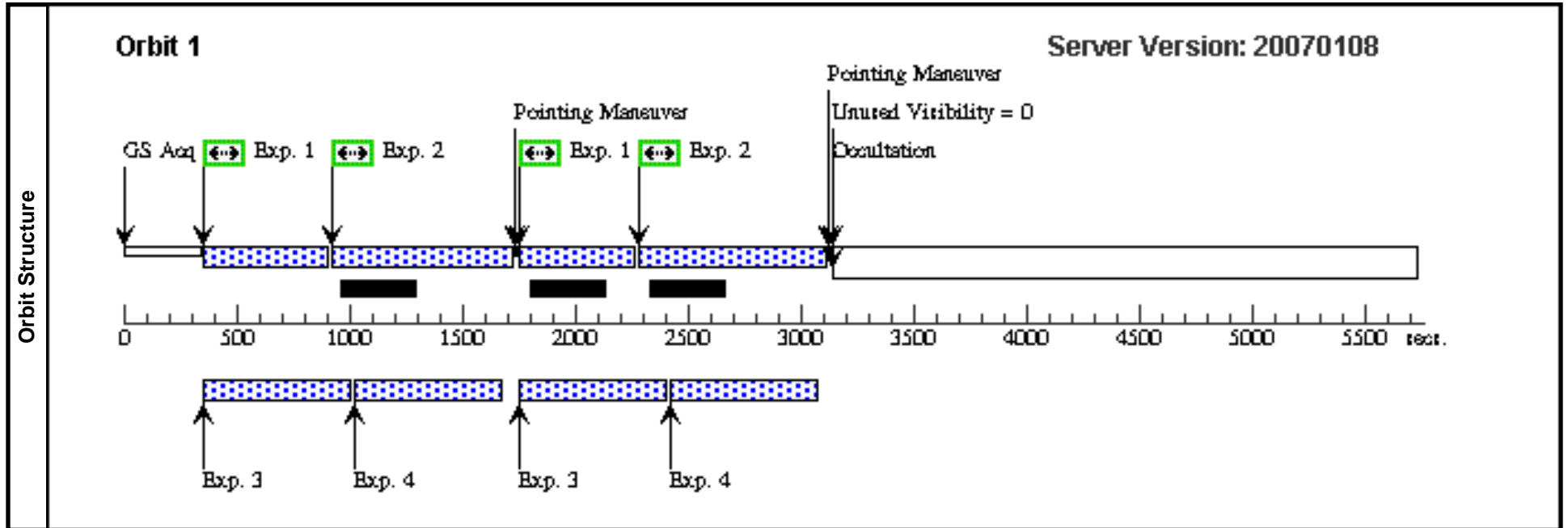


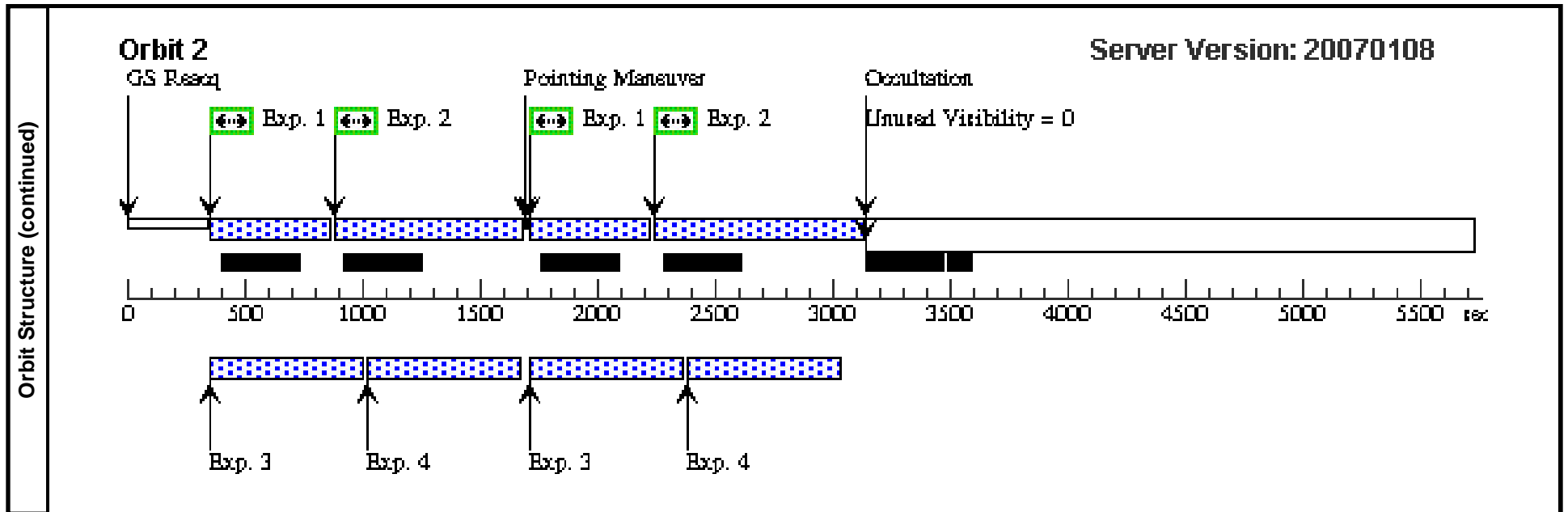


Proposal 10861 - Visit 35 - An ACS Treasury Survey of the Coma cluster of galaxies

Fri Jan 26 02:17:59 GMT 2007

Visit		Proposal 10861, Visit 35, scheduling Diagnostic Status: No Diagnostics Scientific Instruments: ACS/WFC, NIC3 Special Requirements: SAME ORIENT AS 01								
Patterns	#	Primary Pattern			Secondary Pattern			Exposures		
	(1)	Pattern Type=ACS-WFC-DITHER-LINE Purpose=DITHER Number Of Points=2 Point Spacing=3.011 Line Spacing=	Coordinate Frame=POS-TARG Pattern Orientation=85.3 Angle Between Sides= Center Pattern=false	Pattern Type=LINE Purpose=DITHER Number Of Points=2 Point Spacing=0.241 Line Spacing=	Coordinate Frame=POS-TARG Pattern Orientation=22.3 Angle Between Sides= Center Pattern=false	(1-4)				
Fixed Targets	#	Name	Target Coordinates	Targ. Coord. Corrections	Fluxes	Miscellaneous				
	(35)	COMA5-7	RA: 12 58 57.9000 (194.7412500d) Dec: +27 52 10.00 (27.86944d) Equinox: J2000		V=22.0	Reference Frame: ICRS				
Exposures	#	Label	Target	Config,Mode,Aperture	Spectral Els.	Opt. Params.	Special Reqs.	Groups	Exp. Time/[Actual Dur.]	Orbit
	1	F814	(35) COMA5-7	ACS/WFC, ACCUM, WFC	F814W	CR-SPLIT=NO		Pattern 1-4 (1) Prime + Parallel Group 1-4	350.0 Secs [==>(Pattern 1,1)] [==>(Pattern 1,2)] [==>(Pattern 2,1)] [==>(Pattern 2,2)]	[1] [2]
	2	F475	(35) COMA5-7	ACS/WFC, ACCUM, WFC	F475W	CR-SPLIT=NO		Pattern 1-4 (1) Prime + Parallel Group 1-4	640.0 Secs [==>(Pattern 1,1)] [==>665.0 Secs (Pattern 1,2)] [==>(Pattern 2,1)] [==>732.0 Secs (Pattern 2,2)]	[1] [2]
	3	NICMOS H	ANY	NIC3, MULTIACCUM, NIC3	F160W	SAMP-SEQ=SPARS 128; NSAMP=7		Pattern 1-4 (1) Prime + Parallel Group 1-4	[==>(Pattern 1,1)] [==>(Pattern 1,2)] [==>(Pattern 2,1)] [==>(Pattern 2,2)]	[1] [2]
	4	NICMOS J	ANY	NIC3, MULTIACCUM, NIC3-FIX	F110W	SAMP-SEQ=SPARS 128; NSAMP=7		Pattern 1-4 (1) Prime + Parallel Group 1-4	[==>(Pattern 1,1)] [==>(Pattern 1,2)] [==>(Pattern 2,1)] [==>(Pattern 2,2)]	[1] [2]

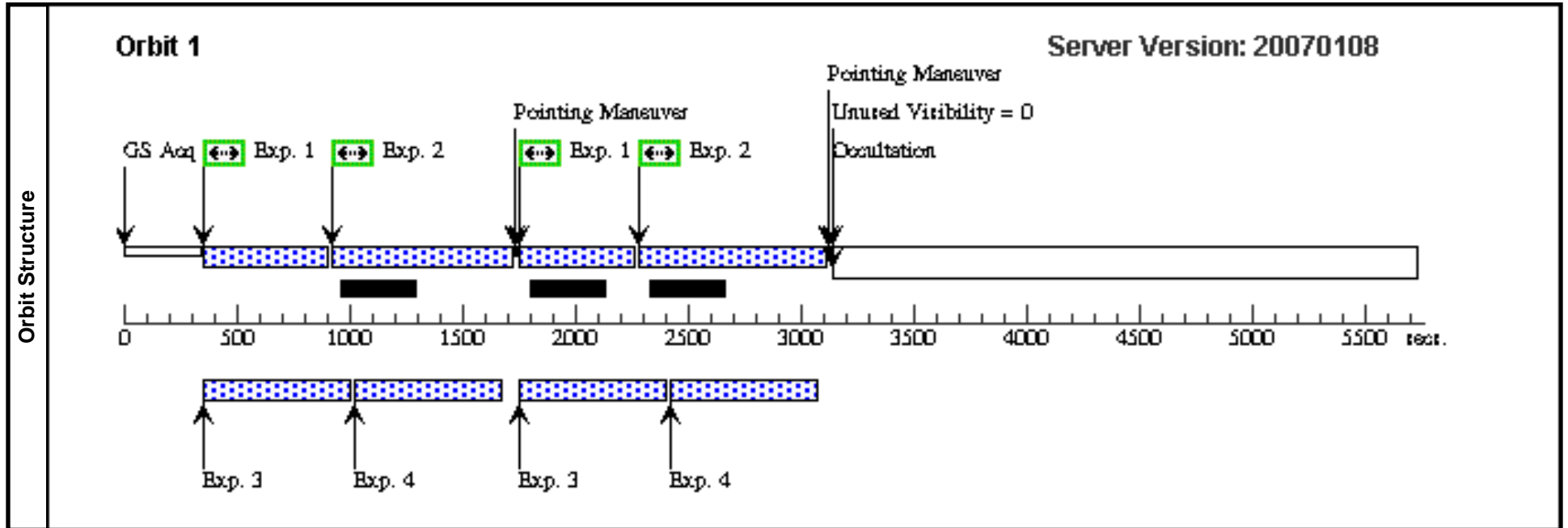


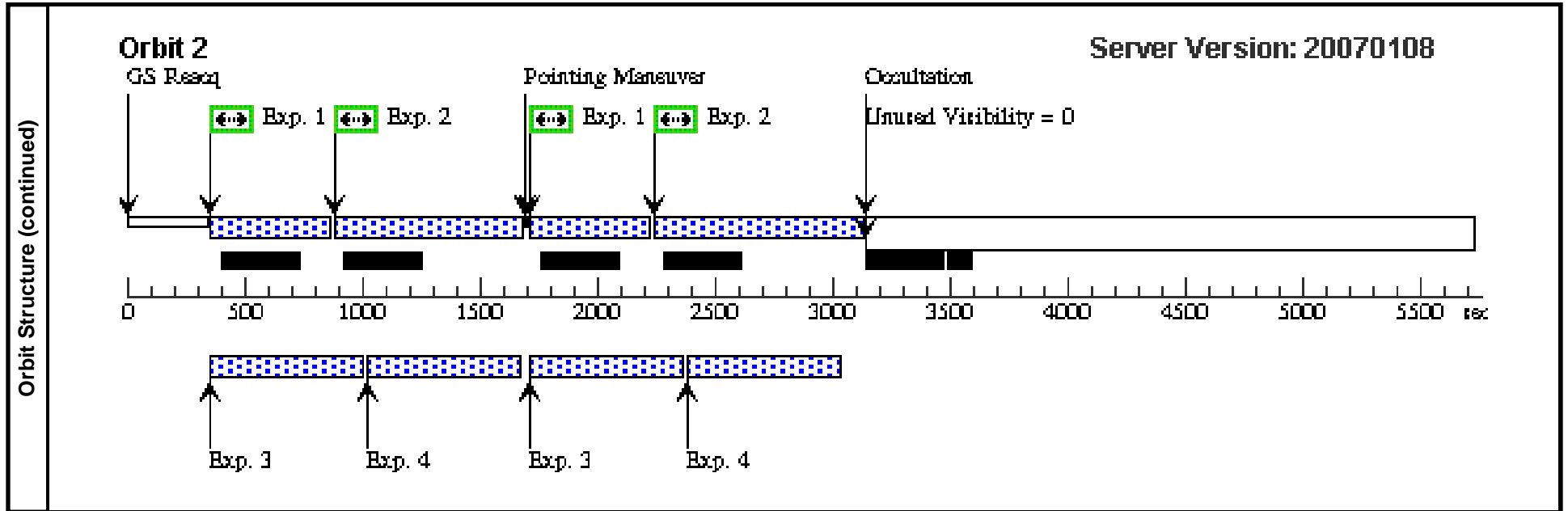


Proposal 10861 - Visit 36 - An ACS Treasury Survey of the Coma cluster of galaxies

Fri Jan 26 02:17:59 GMT 2007

Visit	Proposal 10861, Visit 36, scheduling Diagnostic Status: No Diagnostics Scientific Instruments: ACS/WFC, NIC3 Special Requirements: SAME ORIENT AS 01									
	Patterns	#	Primary Pattern	Secondary Pattern	Exposures					
		(1)	Pattern Type=ACS-WFC-DITHER-LINE Purpose=DITHER Number Of Points=2 Point Spacing=3.011 Line Spacing=	Coordinate Frame=POS-TARG Pattern Orientation=85.3 Angle Between Sides= Center Pattern=false	Pattern Type=LINE Purpose=DITHER Number Of Points=2 Point Spacing=0.241 Line Spacing=	Coordinate Frame=POS-TARG Pattern Orientation=22.3 Angle Between Sides= Center Pattern=false	(1-4)			
Fixed Targets	#	Name	Target Coordinates	Targ. Coord. Corrections	Fluxes	Miscellaneous				
	(39)	COMA6-1	RA: 13 00 27.9000 (195.1162500d) Dec: +27 48 59.00 (27.81639d) Equinox: J2000		V=22.0	Reference Frame: ICRS				
Exposures	#	Label	Target	Config,Mode,Aperture	Spectral Els.	Opt. Params.	Special Reqs.	Groups	Exp. Time/[Actual Dur.]	Orbit
	1	F814	(39) COMA6-1	ACS/WFC, ACCUM, WFC	F814W	CR-SPLIT=NO		Pattern 1-4 (1) Prime + Parallel Group 1-4	350.0 Secs [==>(Pattern 1,1)] [==>(Pattern 1,2)] [==>(Pattern 2,1)] [==>(Pattern 2,2)]	[1] [2]
	2	F475	(39) COMA6-1	ACS/WFC, ACCUM, WFC	F475W	CR-SPLIT=NO		Pattern 1-4 (1) Prime + Parallel Group 1-4	640.0 Secs [==>(Pattern 1,1)] [==>665.0 Secs (Pattern 1,2)] [==>(Pattern 2,1)] [==>732.0 Secs (Pattern 2,2)]	[1] [2]
	3	NICMOS H	ANY	NIC3, MULTIACCUM, NIC3	F160W	SAMP-SEQ=SPARS 128; NSAMP=7		Pattern 1-4 (1) Prime + Parallel Group 1-4	[==>(Pattern 1,1)] [==>(Pattern 1,2)] [==>(Pattern 2,1)] [==>(Pattern 2,2)]	[1] [2]
	4	NICMOS J	ANY	NIC3, MULTIACCUM, NIC3-FIX	F110W	SAMP-SEQ=SPARS 128; NSAMP=7		Pattern 1-4 (1) Prime + Parallel Group 1-4	[==>(Pattern 1,1)] [==>(Pattern 1,2)] [==>(Pattern 2,1)] [==>(Pattern 2,2)]	[1] [2]

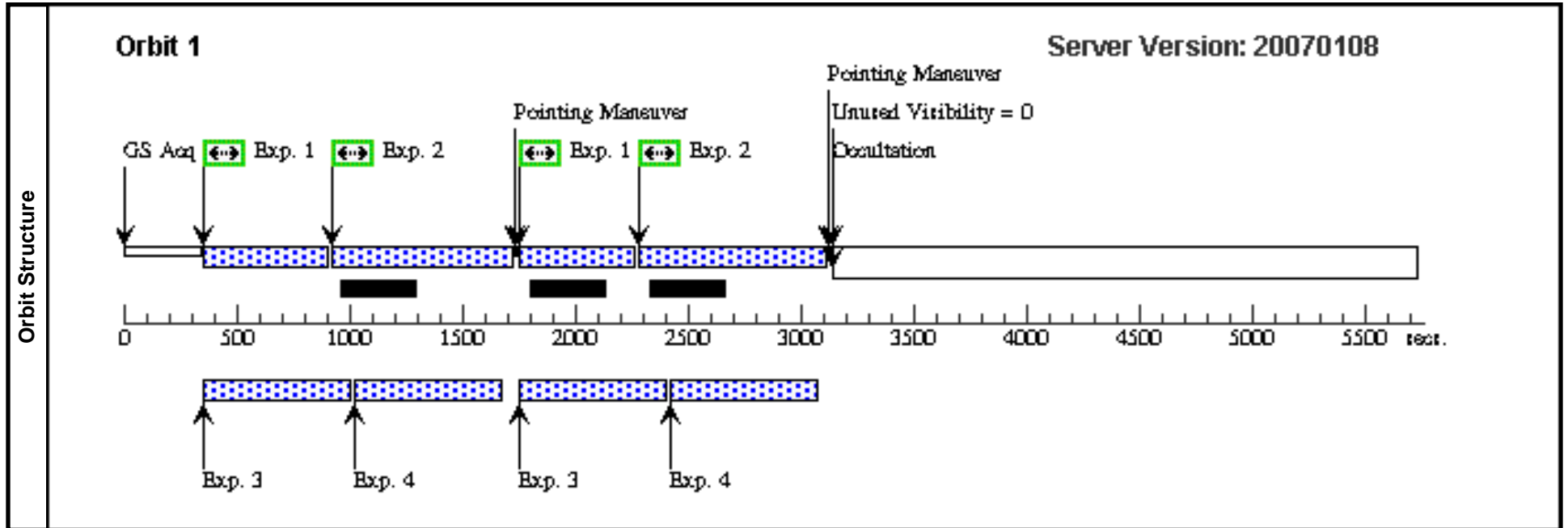


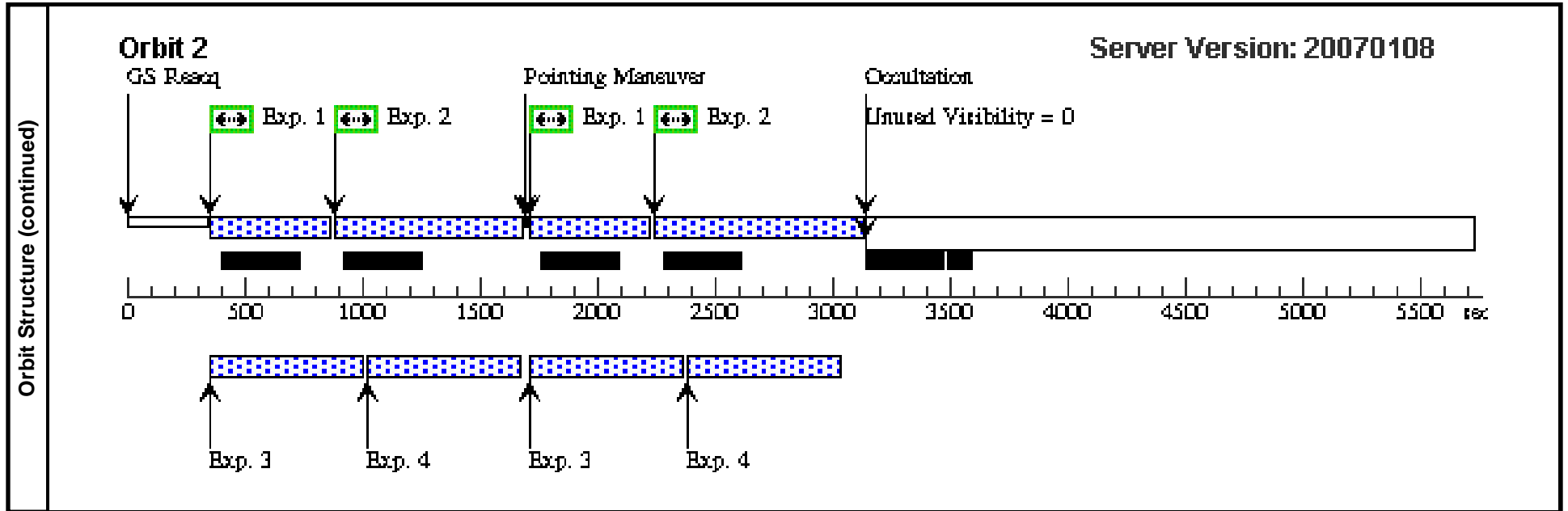


Proposal 10861 - Visit 37 - An ACS Treasury Survey of the Coma cluster of galaxies

Fri Jan 26 02:18:00 GMT 2007

Visit	Proposal 10861, Visit 37, scheduling Diagnostic Status: No Diagnostics Scientific Instruments: ACS/WFC, NIC3 Special Requirements: SAME ORIENT AS 01									
	Patterns	#	Primary Pattern			Secondary Pattern			Exposures	
		(1)	Pattern Type=ACS-WFC-DITHER-LINE Purpose=DITHER Number Of Points=2 Point Spacing=3.011 Line Spacing=	Coordinate Frame=POS-TARG Pattern Orientation=85.3 Angle Between Sides= Center Pattern=false	Pattern Type=LINE Purpose=DITHER Number Of Points=2 Point Spacing=0.241 Line Spacing=	Coordinate Frame=POS-TARG Pattern Orientation=22.3 Angle Between Sides= Center Pattern=false	(1-4)			
Fixed Targets	#	Name	Target Coordinates	Targ. Coord. Corrections	Fluxes	Miscellaneous				
	(38)	COMA6-2	RA: 13 00 12.3000 (195.0512500d) Dec: +27 48 59.00 (27.81639d) Equinox: J2000		V=22.0	Reference Frame: ICRS				
Exposures	#	Label	Target	Config,Mode,Aperture	Spectral Els.	Opt. Params.	Special Reqs.	Groups	Exp. Time/[Actual Dur.]	Orbit
	1	F814	(38) COMA6-2	ACS/WFC, ACCUM, WFC	F814W	CR-SPLIT=NO		Pattern 1-4 (1) Prime + Parallel Group 1-4	350.0 Secs [==>(Pattern 1,1)] [==>(Pattern 1,2)] [==>(Pattern 2,1)] [==>(Pattern 2,2)]	[1] [2]
	2	F475	(38) COMA6-2	ACS/WFC, ACCUM, WFC	F475W	CR-SPLIT=NO		Pattern 1-4 (1) Prime + Parallel Group 1-4	640.0 Secs [==>(Pattern 1,1)] [==>665.0 Secs (Pattern 1,2)] [==>(Pattern 2,1)] [==>732.0 Secs (Pattern 2,2)]	[1] [2]
	3	NICMOS H	ANY	NIC3, MULTIACCUM, NIC3	F160W	SAMP-SEQ=SPARS 128; NSAMP=7		Pattern 1-4 (1) Prime + Parallel Group 1-4	[==>(Pattern 1,1)] [==>(Pattern 1,2)] [==>(Pattern 2,1)] [==>(Pattern 2,2)]	[1] [2]
	4	NICMOS J	ANY	NIC3, MULTIACCUM, NIC3-FIX	F110W	SAMP-SEQ=SPARS 128; NSAMP=7		Pattern 1-4 (1) Prime + Parallel Group 1-4	[==>(Pattern 1,1)] [==>(Pattern 1,2)] [==>(Pattern 2,1)] [==>(Pattern 2,2)]	[1] [2]

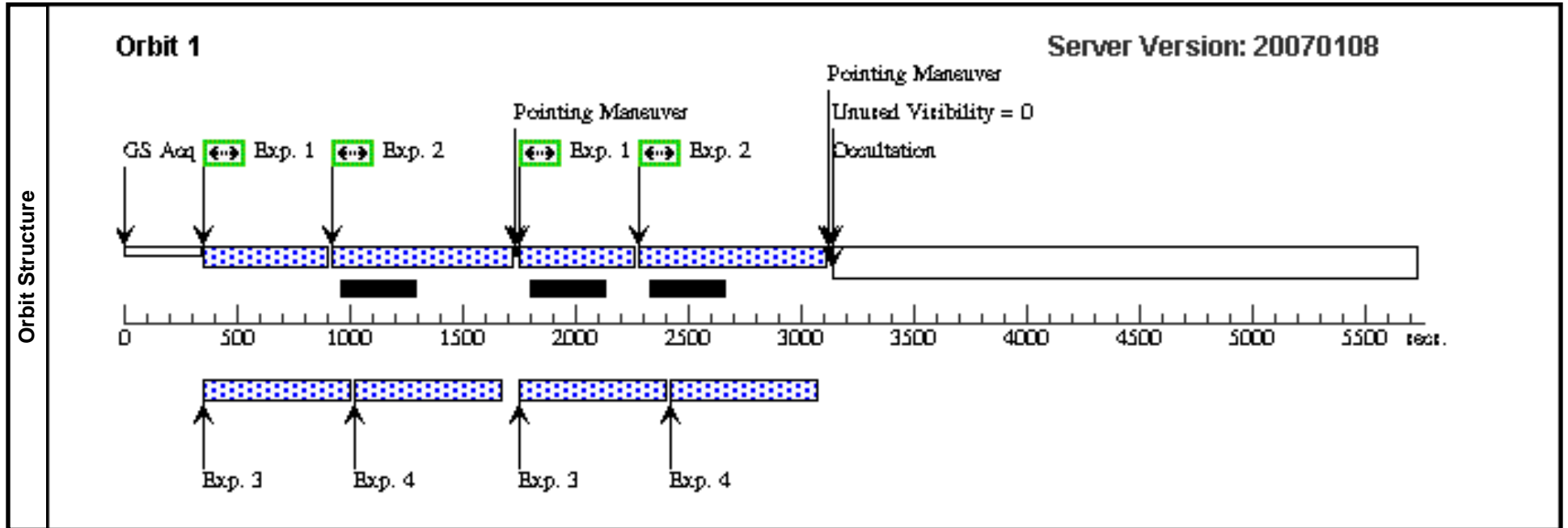


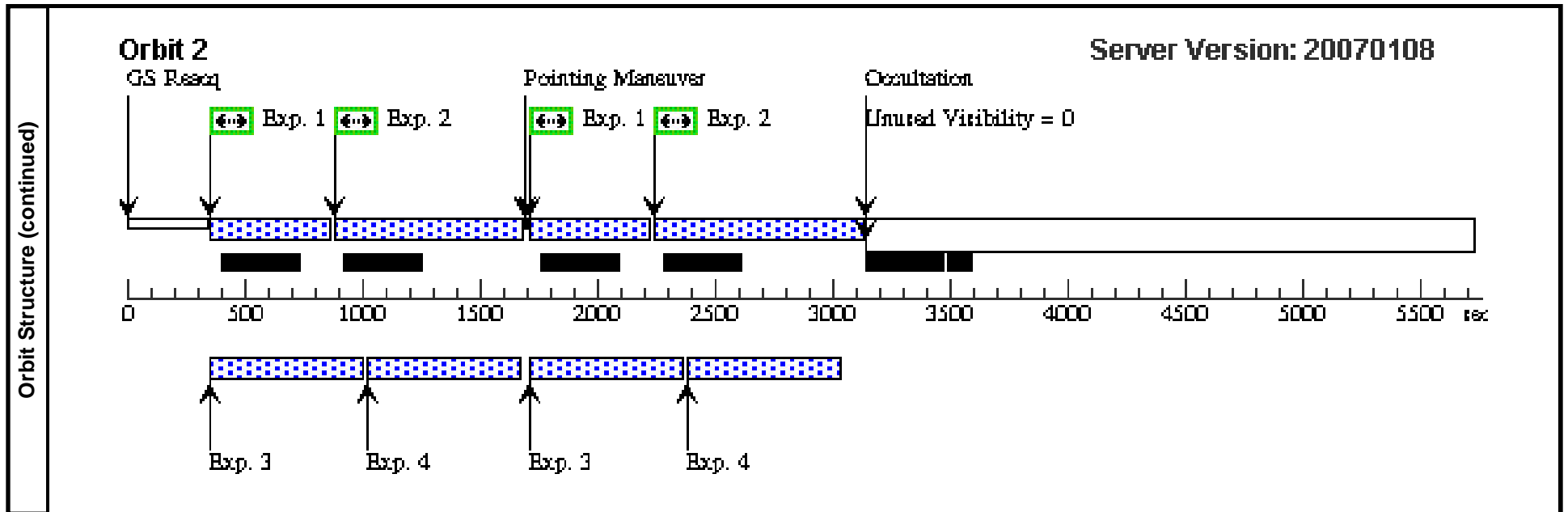


Proposal 10861 - Visit 38 - An ACS Treasury Survey of the Coma cluster of galaxies

Fri Jan 26 02:18:00 GMT 2007

Visit	Proposal 10861, Visit 38, failed Diagnostic Status: No Diagnostics Scientific Instruments: ACS/WFC, NIC3 Special Requirements: ORIENT 273.0D TO 282.0 D									
	Patterns	#	Primary Pattern			Secondary Pattern			Exposures	
		(1)	Pattern Type=ACS-WFC-DITHER-LINE Purpose=DITHER Number Of Points=2 Point Spacing=3.011 Line Spacing=	Coordinate Frame=POS-TARG Pattern Orientation=85.3 Angle Between Sides= Center Pattern=false	Pattern Type=LINE Purpose=DITHER Number Of Points=2 Point Spacing=0.241 Line Spacing=	Coordinate Frame=POS-TARG Pattern Orientation=22.3 Angle Between Sides= Center Pattern=false	(1-4)			
Fixed Targets	#	Name	Target Coordinates	Targ. Coord. Corrections	Fluxes	Miscellaneous				
	(37)	COMA6-3	RA: 12 59 56.7000 (194.9862500d) Dec: +27 48 59.00 (27.81639d) Equinox: J2000		V=22.0	Reference Frame: ICRS				
Exposures	#	Label	Target	Config,Mode,Aperture	Spectral Els.	Opt. Params.	Special Reqs.	Groups	Exp. Time/[Actual Dur.]	Orbit
	1	F814	(37) COMA6-3	ACS/WFC, ACCUM, WFC	F814W	CR-SPLIT=NO		Pattern 1-4 (1) Prime + Parallel Group 1-4	350.0 Secs [==>(Pattern 1,1)] [==>(Pattern 1,2)] [==>(Pattern 2,1)] [==>(Pattern 2,2)]	[1] [2]
	2	F475	(37) COMA6-3	ACS/WFC, ACCUM, WFC	F475W	CR-SPLIT=NO		Pattern 1-4 (1) Prime + Parallel Group 1-4	640.0 Secs [==>(Pattern 1,1)] [==>665.0 Secs (Pattern 1,2)] [==>(Pattern 2,1)] [==>732.0 Secs (Pattern 2,2)]	[1] [2]
	3	NICMOS H	ANY	NIC3, MULTIACCUM, NIC3	F160W	SAMP-SEQ=SPARS 128; NSAMP=7		Pattern 1-4 (1) Prime + Parallel Group 1-4	[==>(Pattern 1,1)] [==>(Pattern 1,2)] [==>(Pattern 2,1)] [==>(Pattern 2,2)]	[1] [2]
	4	NICMOS J	ANY	NIC3, MULTIACCUM, NIC3-FIX	F110W	SAMP-SEQ=SPARS 128; NSAMP=7		Pattern 1-4 (1) Prime + Parallel Group 1-4	[==>(Pattern 1,1)] [==>(Pattern 1,2)] [==>(Pattern 2,1)] [==>(Pattern 2,2)]	[1] [2]





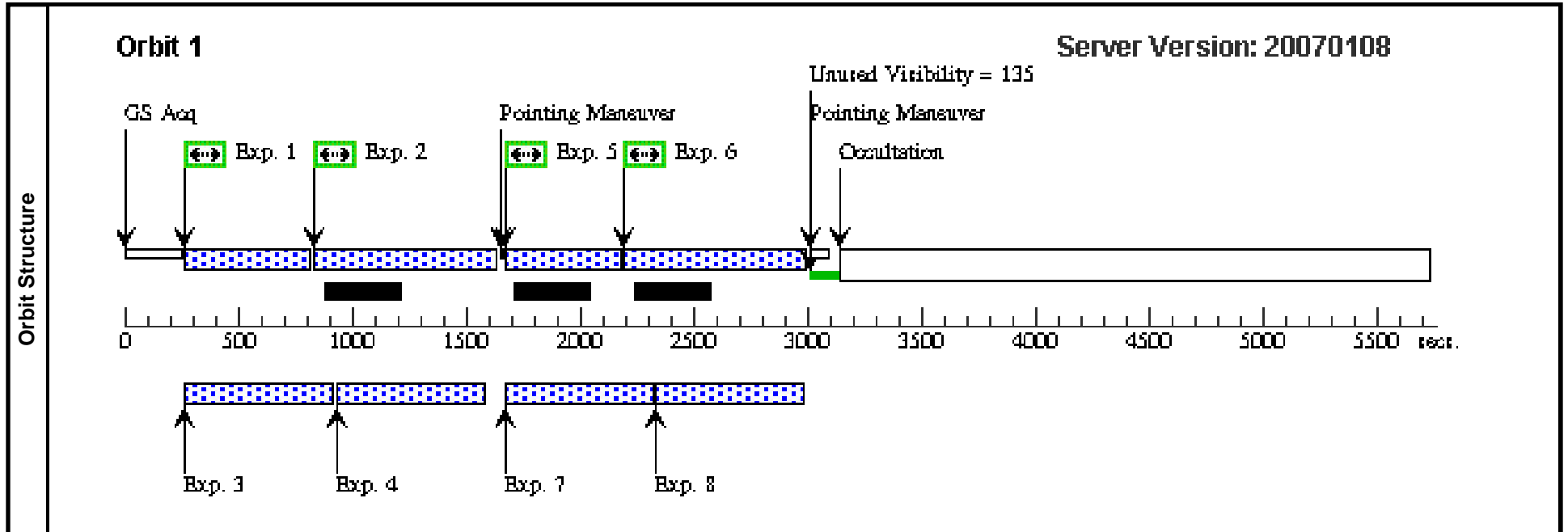
Proposal 10861 - Visit 39 - An ACS Treasury Survey of the Coma cluster of galaxies

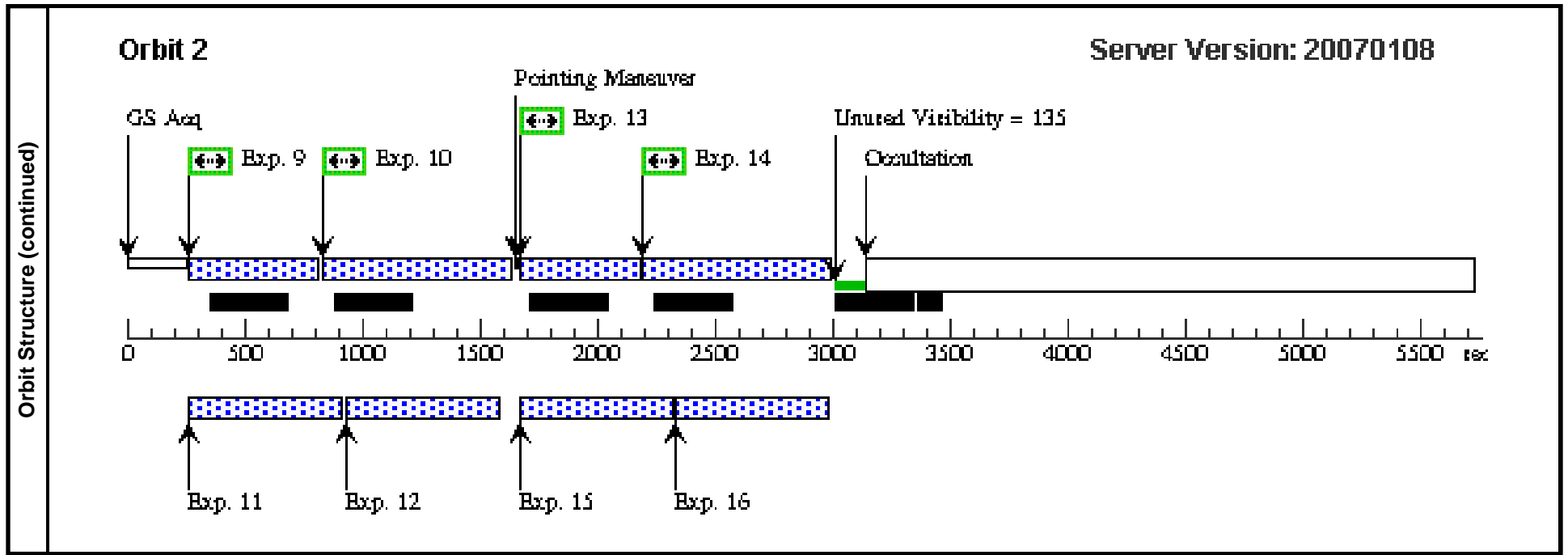
Fri Jan 26 02:18:01 GMT 2007

Visit	Proposal 10861, Visit 39, scheduling Diagnostic Status: No Diagnostics Scientific Instruments: ACS/WFC, NIC3 Special Requirements: SAME ORIENT AS 01									
	Fixed Targets	#	Name	Target Coordinates	Targ. Coord. Corrections	Fluxes	Miscellaneous			
	(36)	COMA6-4	RA: 12 59 41.1000 (194.9212500d) Dec: +27 48 59.00 (27.81639d) Equinox: J2000			V=22.0	Reference Frame: ICRS			
Exposures	#	Label	Target	Config,Mode,Aperture	Spectral Els.	Opt. Params.	Special Reqs.	Groups	Exp. Time/[Actual Dur.]	Orbit
	1	F814	(36) COMA6-4	ACS/WFC, ACCUM, WFC	F814W	CR-SPLIT=NO	GS ACQ SCENARIO SINGLE	Sequence 1-8 Non-Int Prime + Parallel Group 1-4	350.0 Secs [==>]	[1]
	2	F475	(36) COMA6-4	ACS/WFC, ACCUM, WFC	F475W	CR-SPLIT=NO		Sequence 1-8 Non-Int Prime + Parallel Group 1-4	640.0 Secs [==>]	[1]
	3	NICMOS H	ANY	NIC3, MULTIACCUM, NIC3	F160W	SAMP-SEQ=SPARS 128; NSAMP=7		Sequence 1-8 Non-Int Prime + Parallel Group 1-4	[==>]	[1]
	4	NICMOS J	ANY	NIC3, MULTIACCUM, NIC3-FIX	F110W	SAMP-SEQ=SPARS 128; NSAMP=7		Sequence 1-8 Non-Int Prime + Parallel Group 1-4	[==>]	[1]
	5	F814	(36) COMA6-4	ACS/WFC, ACCUM, WFC	F814W	CR-SPLIT=NO	POS TARG 0.222,0.092	Sequence 1-8 Non-Int Prime + Parallel Group 5-8	350.0 Secs [==>]	[1]
	6	F475	(36) COMA6-4	ACS/WFC, ACCUM, WFC	F475W	CR-SPLIT=NO	SAME POS AS 5	Sequence 1-8 Non-Int Prime + Parallel Group 5-8	640.0 Secs [==>]	[1]
	7	NICMOS H	ANY	NIC3, MULTIACCUM, NIC3	F160W	SAMP-SEQ=SPARS 128; NSAMP=7		Sequence 1-8 Non-Int Prime + Parallel Group 5-8	[==>]	[1]
8	NICMOS J	ANY	NIC3, MULTIACCUM, NIC3-FIX	F110W	SAMP-SEQ=SPARS 128; NSAMP=7		Sequence 1-8 Non-Int Prime + Parallel Group 5-8	[==>]	[1]	

Proposal 10861 - Visit 39 - An ACS Treasury Survey of the Coma cluster of galaxies

#	Label	Target	Config,Mode,Aperture	Spectral Els.	Opt. Params.	Special Reqs.	Groups	Exp. Time/[Actual Dur.]	Orbit	
Exposures (continued)	9	F814	(36) COMA6-4	ACS/WFC, ACCUM, WFC	F814W	CR-SPLIT=NO	POS TARG 0.247,3.001; NEW OBSET FULL ACQ; GS ACQ SCENARIO SINGLE	Sequence 9-16 Non-Int Prime + Parallel Group 9-12	350.0 Secs [==>]	[2]
	10	F475	(36) COMA6-4	ACS/WFC, ACCUM, WFC	F475W	CR-SPLIT=NO	SAME POS AS 9	Sequence 9-16 Non-Int Prime + Parallel Group 9-12	640.0 Secs [==>]	[2]
	11	NICMOS H	ANY	NIC3, MULTIACCUM, NIC3	F160W	SAMP-SEQ=SPARS 128; NSAMP=7		Sequence 9-16 Non-Int Prime + Parallel Group 9-12	[==>]	[2]
	12	NICMOS J	ANY	NIC3, MULTIACCUM, NIC3-FIX	F110W	SAMP-SEQ=SPARS 128; NSAMP=7		Sequence 9-16 Non-Int Prime + Parallel Group 9-12	[==>]	[2]
	13	F814	(36) COMA6-4	ACS/WFC, ACCUM, WFC	F814W	CR-SPLIT=NO	POS TARG 0.469,3.093	Sequence 9-16 Non-Int Prime + Parallel Group 13-16	350.0 Secs [==>]	[2]
	14	F475	(36) COMA6-4	ACS/WFC, ACCUM, WFC	F475W	CR-SPLIT=NO	SAME POS AS 13	Sequence 9-16 Non-Int Prime + Parallel Group 13-16	640.0 Secs [==>]	[2]
	15	NICMOS H	ANY	NIC3, MULTIACCUM, NIC3	F160W	SAMP-SEQ=SPARS 128; NSAMP=7		Sequence 9-16 Non-Int Prime + Parallel Group 13-16	[==>]	[2]
	16	NICMOS J	ANY	NIC3, MULTIACCUM, NIC3-FIX	F110W	SAMP-SEQ=SPARS 128; NSAMP=7		Sequence 9-16 Non-Int Prime + Parallel Group 13-16	[==>]	[2]

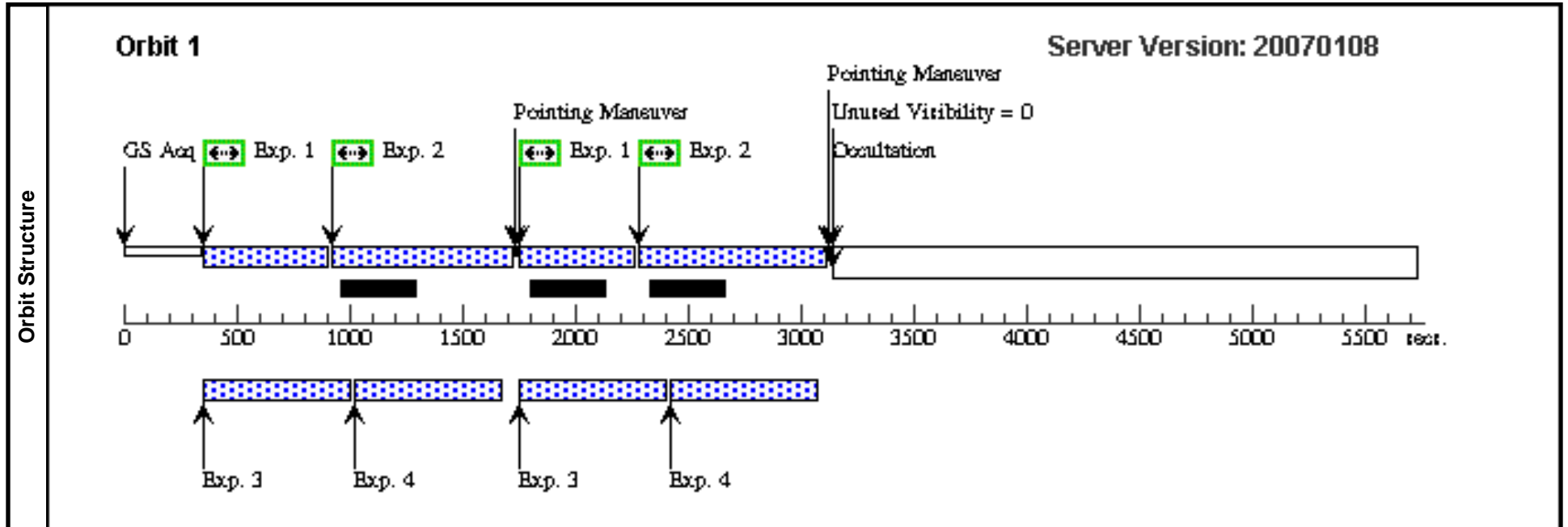


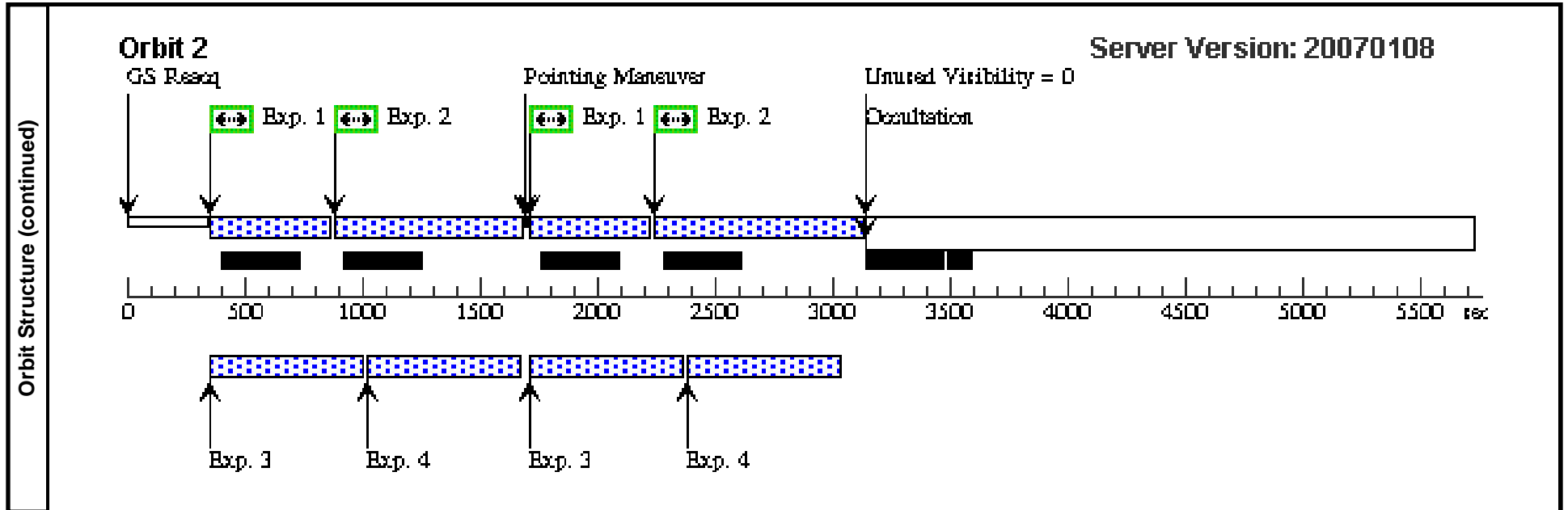


Proposal 10861 - Visit 40 - An ACS Treasury Survey of the Coma cluster of galaxies

Fri Jan 26 02:18:01 GMT 2007

Visit	Proposal 10861, Visit 40, scheduling Diagnostic Status: No Diagnostics Scientific Instruments: ACS/WFC, NIC3 Special Requirements: SAME ORIENT AS 01									
	Patterns	#	Primary Pattern			Secondary Pattern			Exposures	
		(1)	Pattern Type=ACS-WFC-DITHER-LINE Purpose=DITHER Number Of Points=2 Point Spacing=3.011 Line Spacing=	Coordinate Frame=POS-TARG Pattern Orientation=85.3 Angle Between Sides= Center Pattern=false	Pattern Type=LINE Purpose=DITHER Number Of Points=2 Point Spacing=0.241 Line Spacing=	Coordinate Frame=POS-TARG Pattern Orientation=22.3 Angle Between Sides= Center Pattern=false	(1-4)			
Fixed Targets	#	Name	Target Coordinates	Targ. Coord. Corrections	Fluxes	Miscellaneous				
	(40)	COMA6-5	RA: 12 59 25.5000 (194.8562500d) Dec: +27 48 59.00 (27.81639d) Equinox: J2000		V=22.0	Reference Frame: ICRS				
Exposures	#	Label	Target	Config,Mode,Aperture	Spectral Els.	Opt. Params.	Special Reqs.	Groups	Exp. Time/[Actual Dur.]	Orbit
	1	F814	(40) COMA6-5	ACS/WFC, ACCUM, WFC	F814W	CR-SPLIT=NO		Pattern 1-4 (1) Prime + Parallel Group 1-4	350.0 Secs [=>(Pattern 1,1)] [=>(Pattern 1,2)] [=>(Pattern 2,1)] [=>(Pattern 2,2)]	[1] [2]
	2	F475	(40) COMA6-5	ACS/WFC, ACCUM, WFC	F475W	CR-SPLIT=NO		Pattern 1-4 (1) Prime + Parallel Group 1-4	640.0 Secs [=>(Pattern 1,1)] [=>665.0 Secs (Pattern 1,2)] [=>(Pattern 2,1)] [=>732.0 Secs (Pattern 2,2)]	[1] [2]
	3	NICMOS H	ANY	NIC3, MULTIACCUM, NIC3	F160W	SAMP-SEQ=SPARS 128; NSAMP=7		Pattern 1-4 (1) Prime + Parallel Group 1-4	[=>(Pattern 1,1)] [=>(Pattern 1,2)] [=>(Pattern 2,1)] [=>(Pattern 2,2)]	[1] [2]
	4	NICMOS J	ANY	NIC3, MULTIACCUM, NIC3-FIX	F110W	SAMP-SEQ=SPARS 128; NSAMP=7		Pattern 1-4 (1) Prime + Parallel Group 1-4	[=>(Pattern 1,1)] [=>(Pattern 1,2)] [=>(Pattern 2,1)] [=>(Pattern 2,2)]	[1] [2]

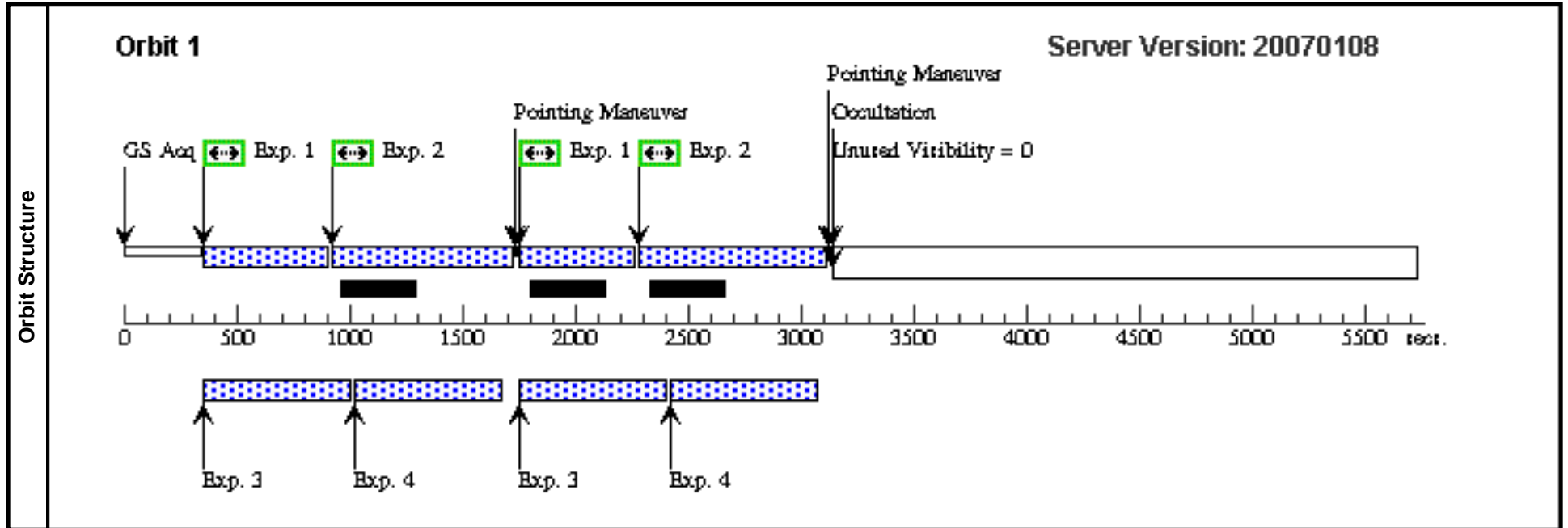


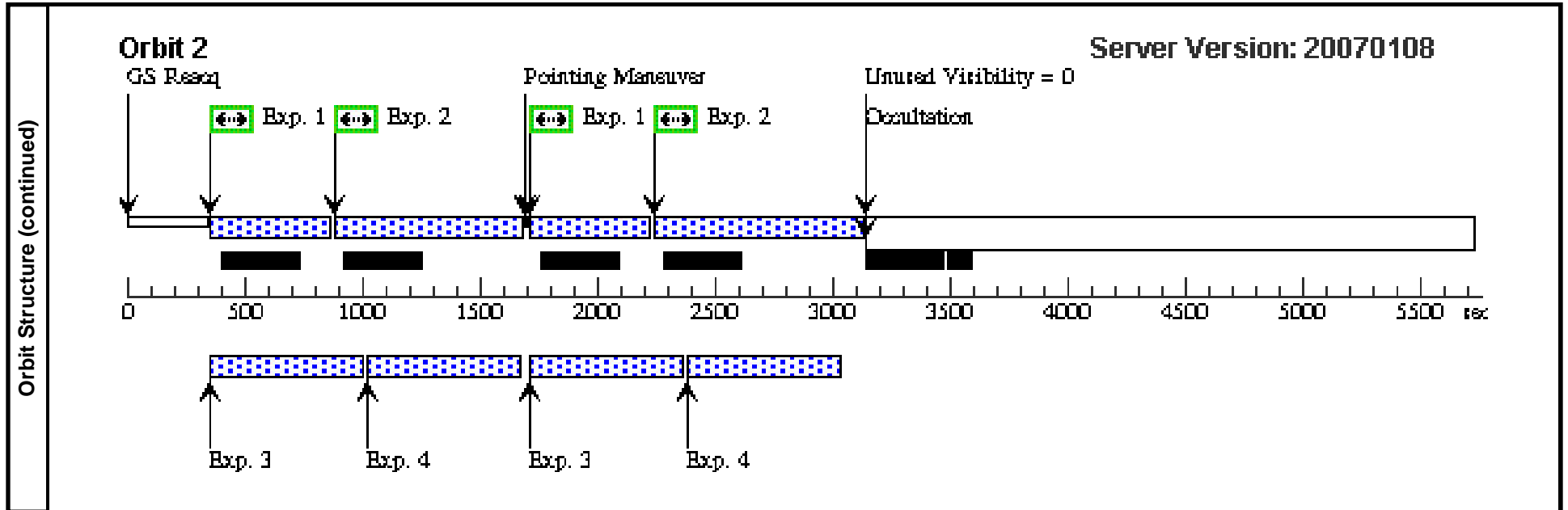


Proposal 10861 - Visit 41 - An ACS Treasury Survey of the Coma cluster of galaxies

Fri Jan 26 02:18:02 GMT 2007

Visit	Proposal 10861, Visit 41, scheduling Diagnostic Status: No Diagnostics Scientific Instruments: ACS/WFC, NIC3 Special Requirements: SAME ORIENT AS 01									
	Patterns	#	Primary Pattern			Secondary Pattern			Exposures	
		(1)	Pattern Type=ACS-WFC-DITHER-LINE Purpose=DITHER Number Of Points=2 Point Spacing=3.011 Line Spacing=	Coordinate Frame=POS-TARG Pattern Orientation=85.3 Angle Between Sides= Center Pattern=false	Pattern Type=LINE Purpose=DITHER Number Of Points=2 Point Spacing=0.241 Line Spacing=	Coordinate Frame=POS-TARG Pattern Orientation=22.3 Angle Between Sides= Center Pattern=false	(1-4)			
Fixed Targets	#	Name	Target Coordinates	Targ. Coord. Corrections		Fluxes	Miscellaneous			
	(41)	COMA6-6	RA: 12 59 9.9000 (194.7912500d) Dec: +27 48 59.00 (27.81639d) Equinox: J2000			V=22.0	Reference Frame: ICRS			
Exposures	#	Label	Target	Config,Mode,Aperture	Spectral Els.	Opt. Params.	Special Reqs.	Groups	Exp. Time/[Actual Dur.]	Orbit
	1	F814	(41) COMA6-6	ACS/WFC, ACCUM, WFC	F814W	CR-SPLIT=NO		Pattern 1-4 (1) Prime + Parallel Group 1-4	350.0 Secs [==>(Pattern 1,1)] [==>(Pattern 1,2)] [==>(Pattern 2,1)] [==>(Pattern 2,2)]	[1] [2]
	2	F475	(41) COMA6-6	ACS/WFC, ACCUM, WFC	F475W	CR-SPLIT=NO		Pattern 1-4 (1) Prime + Parallel Group 1-4	640.0 Secs [==>(Pattern 1,1)] [==>665.0 Secs (Pattern 1,2)] [==>(Pattern 2,1)] [==>732.0 Secs (Pattern 2,2)]	[1] [2]
	3	NICMOS H	ANY	NIC3, MULTIACCUM, NIC3	F160W	SAMP-SEQ=SPARS 128; NSAMP=7		Pattern 1-4 (1) Prime + Parallel Group 1-4	[==>(Pattern 1,1)] [==>(Pattern 1,2)] [==>(Pattern 2,1)] [==>(Pattern 2,2)]	[1] [2]
	4	NICMOS J	ANY	NIC3, MULTIACCUM, NIC3-FIX	F110W	SAMP-SEQ=SPARS 128; NSAMP=7		Pattern 1-4 (1) Prime + Parallel Group 1-4	[==>(Pattern 1,1)] [==>(Pattern 1,2)] [==>(Pattern 2,1)] [==>(Pattern 2,2)]	[1] [2]

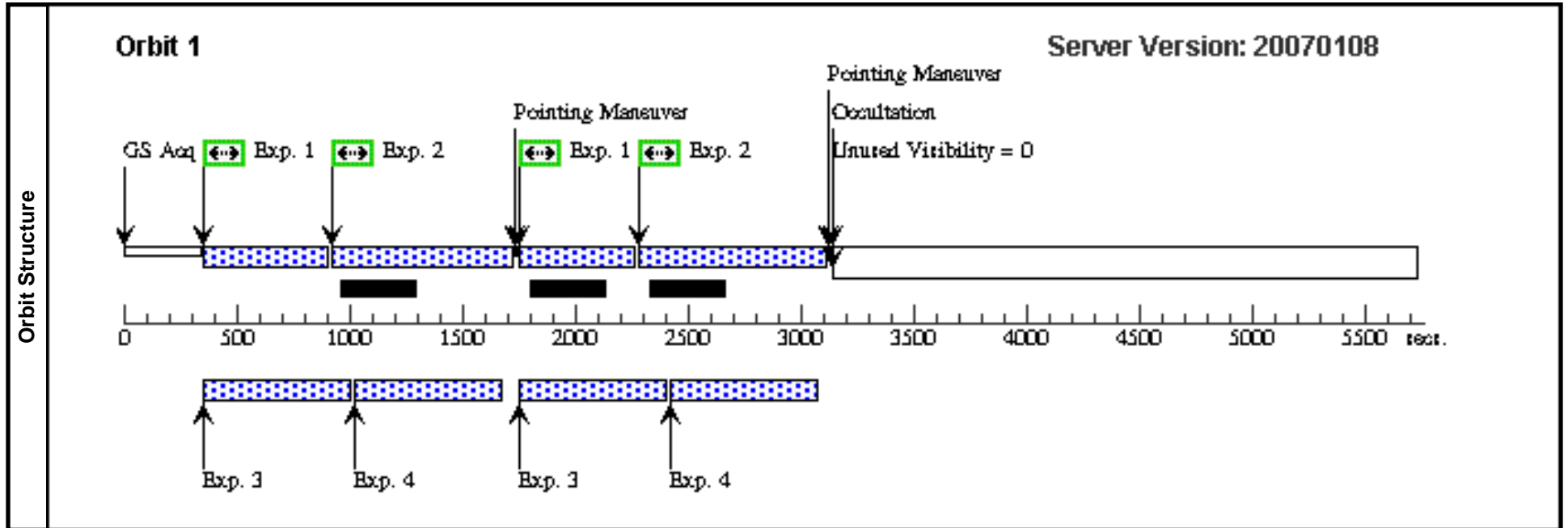


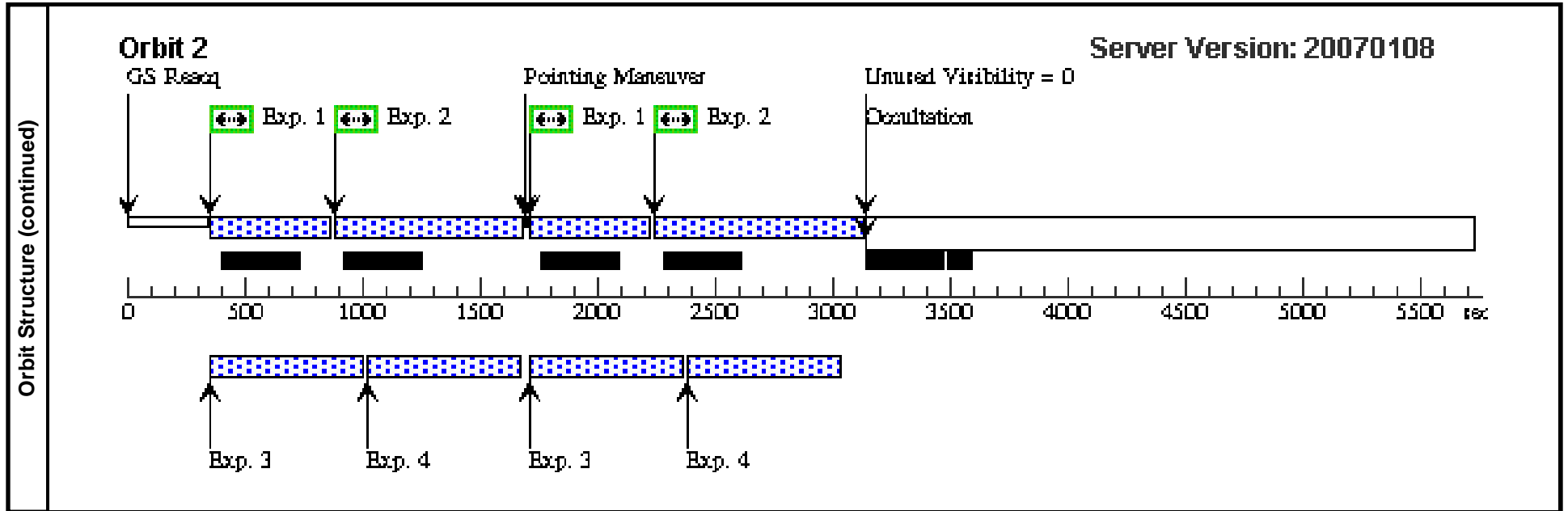


Proposal 10861 - Visit 42 - An ACS Treasury Survey of the Coma cluster of galaxies

Fri Jan 26 02:18:02 GMT 2007

Visit	Proposal 10861, Visit 42, scheduling Diagnostic Status: No Diagnostics Scientific Instruments: ACS/WFC, NIC3 Special Requirements: SAME ORIENT AS 01									
	Patterns	#	Primary Pattern			Secondary Pattern			Exposures	
		(1)	Pattern Type=ACS-WFC-DITHER-LINE Purpose=DITHER Number Of Points=2 Point Spacing=3.011 Line Spacing=	Coordinate Frame=POS-TARG Pattern Orientation=85.3 Angle Between Sides= Center Pattern=false	Pattern Type=LINE Purpose=DITHER Number Of Points=2 Point Spacing=0.241 Line Spacing=	Coordinate Frame=POS-TARG Pattern Orientation=22.3 Angle Between Sides= Center Pattern=false	(1-4)			
Fixed Targets	#	Name	Target Coordinates	Targ. Coord. Corrections	Fluxes	Miscellaneous				
	(42)	COMA6-7	RA: 12 58 54.3000 (194.7262500d) Dec: +27 48 59.00 (27.81639d) Equinox: J2000		V=22.0	Reference Frame: ICRS				
Exposures	#	Label	Target	Config,Mode,Aperture	Spectral Els.	Opt. Params.	Special Reqs.	Groups	Exp. Time/[Actual Dur.]	Orbit
	1	F814	(42) COMA6-7	ACS/WFC, ACCUM, WFC	F814W	CR-SPLIT=NO		Pattern 1-4 (1) Prime + Parallel Group 1-4	350.0 Secs [==>(Pattern 1,1)] [==>(Pattern 1,2)] [==>(Pattern 2,1)] [==>(Pattern 2,2)]	[1] [2]
	2	F475	(42) COMA6-7	ACS/WFC, ACCUM, WFC	F475W	CR-SPLIT=NO		Pattern 1-4 (1) Prime + Parallel Group 1-4	640.0 Secs [==>(Pattern 1,1)] [==>665.0 Secs (Pattern 1,2)] [==>(Pattern 2,1)] [==>732.0 Secs (Pattern 2,2)]	[1] [2]
	3	NICMOS H	ANY	NIC3, MULTIACCUM, NIC3	F160W	SAMP-SEQ=SPARS 128; NSAMP=7		Pattern 1-4 (1) Prime + Parallel Group 1-4	[==>(Pattern 1,1)] [==>(Pattern 1,2)] [==>(Pattern 2,1)] [==>(Pattern 2,2)]	[1] [2]
	4	NICMOS J	ANY	NIC3, MULTIACCUM, NIC3-FIX	F110W	SAMP-SEQ=SPARS 128; NSAMP=7		Pattern 1-4 (1) Prime + Parallel Group 1-4	[==>(Pattern 1,1)] [==>(Pattern 1,2)] [==>(Pattern 2,1)] [==>(Pattern 2,2)]	[1] [2]





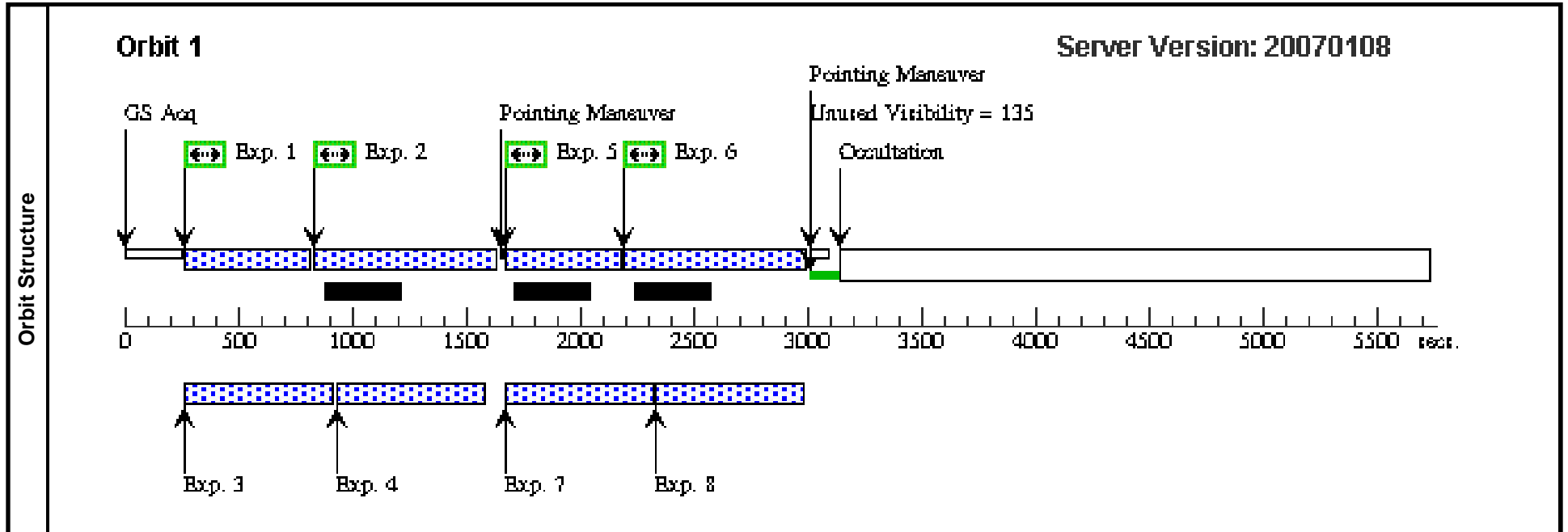
Proposal 10861 - Visit 43 - An ACS Treasury Survey of the Coma cluster of galaxies

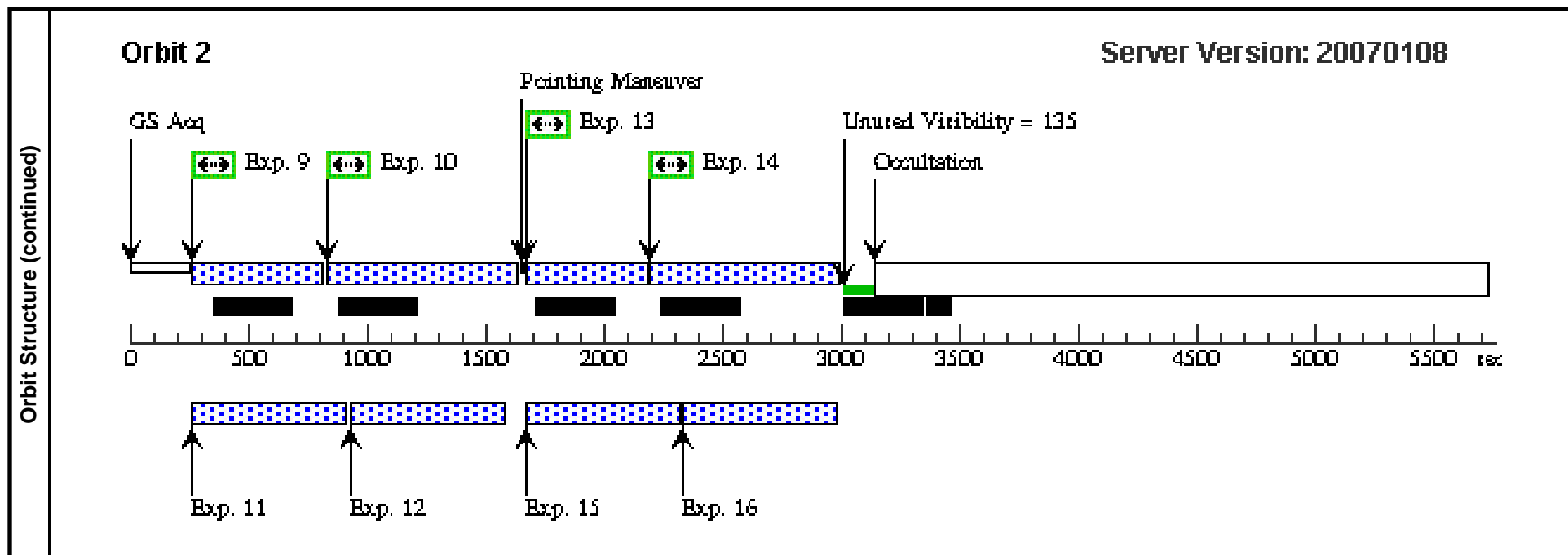
Fri Jan 26 02:18:03 GMT 2007

Visit	Proposal 10861, Visit 43, scheduling Diagnostic Status: No Diagnostics Scientific Instruments: ACS/WFC, NIC3 Special Requirements: ORIENT 239.0D TO 241.0 D									
	Fixed Targets	#	Name	Target Coordinates	Targ. Coord. Corrections	Fluxes	Miscellaneous			
	(43)	COMA-OUTSKIRTS-1	RA: 12 57 56.9000 (194.4870833d) Dec: +27 28 55.00 (27.48194d) Equinox: J2000			V=22.0	Reference Frame: ICRS			
Exposures	#	Label	Target	Config,Mode,Aperture	Spectral Els.	Opt. Params.	Special Reqs.	Groups	Exp. Time/[Actual Dur.]	Orbit
	1	F814	(43) COMA-OUTSKIRTS-1	ACS/WFC, ACCUM, WFC	F814W	CR-SPLIT=NO	GS ACQ SCENARIO SINGLE	Sequence 1-8 Non-Int Prime + Parallel Group 1-4	350.0 Secs [==>]	[1]
	2	F475	(43) COMA-OUTSKIRTS-1	ACS/WFC, ACCUM, WFC	F475W	CR-SPLIT=NO		Sequence 1-8 Non-Int Prime + Parallel Group 1-4	640.0 Secs [==>]	[1]
	3	NICMOS H	ANY	NIC3, MULTIACCUM, NIC3	F160W	SAMP-SEQ=SPARS 128; NSAMP=7		Sequence 1-8 Non-Int Prime + Parallel Group 1-4	[==>]	[1]
	4	NICMOS J	ANY	NIC3, MULTIACCUM, NIC3-FIX	F110W	SAMP-SEQ=SPARS 128; NSAMP=7		Sequence 1-8 Non-Int Prime + Parallel Group 1-4	[==>]	[1]
	5	F814	(43) COMA-OUTSKIRTS-1	ACS/WFC, ACCUM, WFC	F814W	CR-SPLIT=NO	POS TARG 0.222,0.092	Sequence 1-8 Non-Int Prime + Parallel Group 5-8	350.0 Secs [==>]	[1]
	6	F475	(43) COMA-OUTSKIRTS-1	ACS/WFC, ACCUM, WFC	F475W	CR-SPLIT=NO	SAME POS AS 5	Sequence 1-8 Non-Int Prime + Parallel Group 5-8	640.0 Secs [==>]	[1]
	7	NICMOS H	ANY	NIC3, MULTIACCUM, NIC3	F160W	SAMP-SEQ=SPARS 128; NSAMP=7		Sequence 1-8 Non-Int Prime + Parallel Group 5-8	[==>]	[1]
8	NICMOS J	ANY	NIC3, MULTIACCUM, NIC3-FIX	F110W	SAMP-SEQ=SPARS 128; NSAMP=7		Sequence 1-8 Non-Int Prime + Parallel Group 5-8	[==>]	[1]	

Proposal 10861 - Visit 43 - An ACS Treasury Survey of the Coma cluster of galaxies

#	Label	Target	Config,Mode,Aperture	Spectral Els.	Opt. Params.	Special Reqs.	Groups	Exp. Time/[Actual Dur.]	Orbit	
Exposures (continued)	9	F814	(43) COMA-OUTSK IRTS-1	ACS/WFC, ACCUM, WFC	F814W	CR-SPLIT=NO	POS TARG 0.247,3.001; NEW OBSET FULL ACQ; GS ACQ SCENARIO SINGLE	Sequence 9-16 Non-Int Prime + Parallel Group 9-12	350.0 Secs [==>]	[2]
	10	F475	(43) COMA-OUTSK IRTS-1	ACS/WFC, ACCUM, WFC	F475W	CR-SPLIT=NO	SAME POS AS 9	Sequence 9-16 Non-Int Prime + Parallel Group 9-12	640.0 Secs [==>]	[2]
	11	NICMOS H	ANY	NIC3, MULTIACCUM, NIC3	F160W	SAMP-SEQ=SPARS 128; NSAMP=7		Sequence 9-16 Non-Int Prime + Parallel Group 9-12	[==>]	[2]
	12	NICMOS J	ANY	NIC3, MULTIACCUM, NIC3-FIX	F110W	SAMP-SEQ=SPARS 128; NSAMP=7		Sequence 9-16 Non-Int Prime + Parallel Group 9-12	[==>]	[2]
	13	F814	(43) COMA-OUTSK IRTS-1	ACS/WFC, ACCUM, WFC	F814W	CR-SPLIT=NO	POS TARG 0.469,3.093	Sequence 9-16 Non-Int Prime + Parallel Group 13-16	350.0 Secs [==>]	[2]
	14	F475	(43) COMA-OUTSK IRTS-1	ACS/WFC, ACCUM, WFC	F475W	CR-SPLIT=NO	SAME POS AS 13	Sequence 9-16 Non-Int Prime + Parallel Group 13-16	640.0 Secs [==>]	[2]
	15	NICMOS H	ANY	NIC3, MULTIACCUM, NIC3	F160W	SAMP-SEQ=SPARS 128; NSAMP=7		Sequence 9-16 Non-Int Prime + Parallel Group 13-16	[==>]	[2]
	16	NICMOS J	ANY	NIC3, MULTIACCUM, NIC3-FIX	F110W	SAMP-SEQ=SPARS 128; NSAMP=7		Sequence 9-16 Non-Int Prime + Parallel Group 13-16	[==>]	[2]





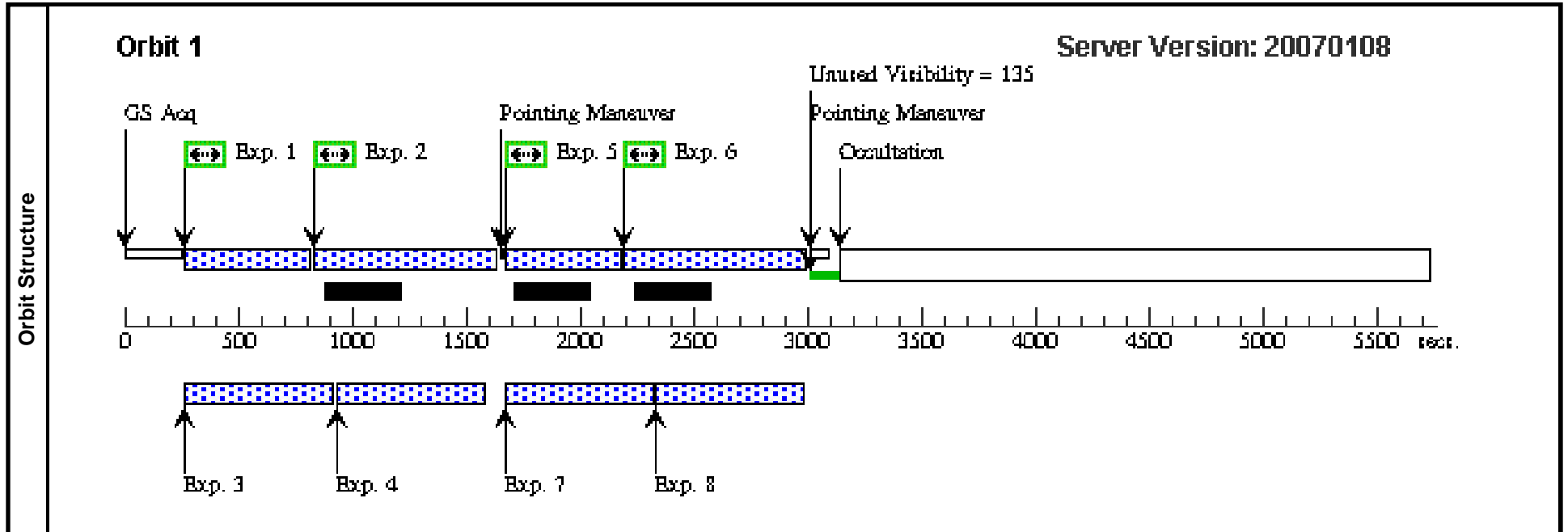
Proposal 10861 - Visit 44 - An ACS Treasury Survey of the Coma cluster of galaxies

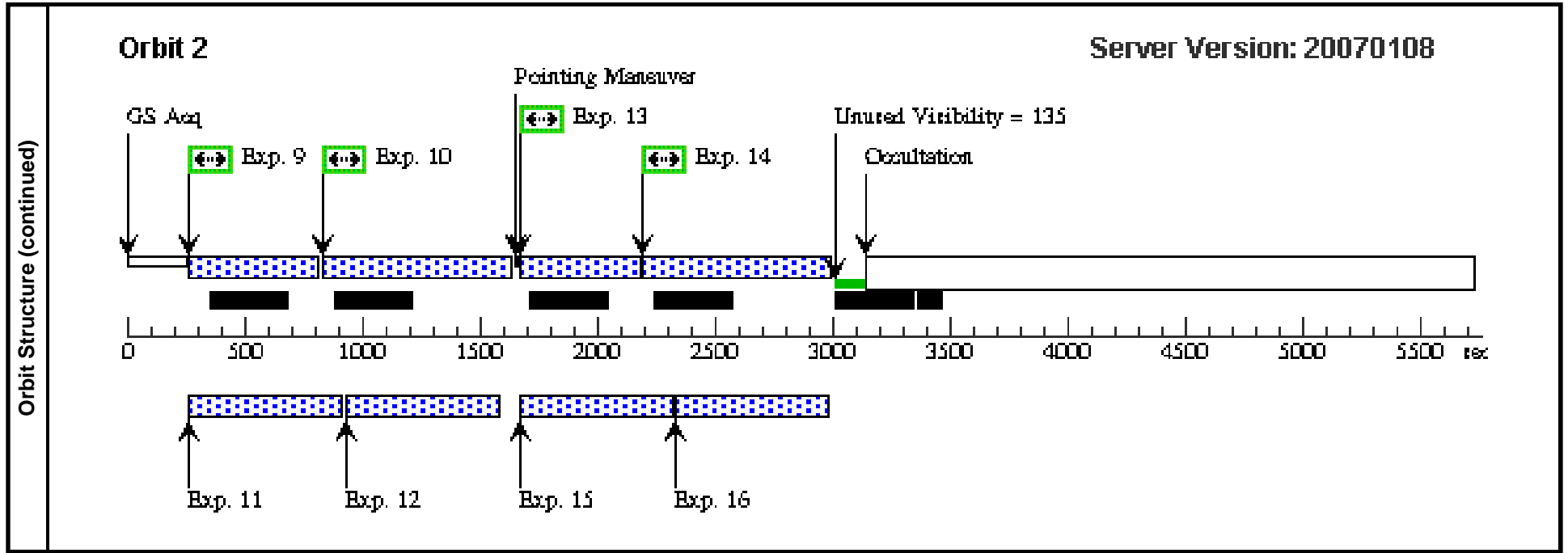
Fri Jan 26 02:18:03 GMT 2007

Visit	Proposal 10861, Visit 44, scheduling Diagnostic Status: No Diagnostics Scientific Instruments: ACS/WFC, NIC3 Special Requirements: ORIENT 265.0D TO 270.0 D									
	Fixed Targets	#	Name	Target Coordinates	Targ. Coord. Corrections	Fluxes	Miscellaneous			
	(44)	COMA-OUTSKIRTS-2	RA: 12 58 1.7000 (194.5070833d) Dec: +27 25 48.00 (27.43000d) Equinox: J2000		V=22.0	Reference Frame: ICRS				
Exposures	#	Label	Target	Config,Mode,Aperture	Spectral Els.	Opt. Params.	Special Reqs.	Groups	Exp. Time/[Actual Dur.]	Orbit
	1	F814	(44) COMA-OUTSKIRTS-2	ACS/WFC, ACCUM, WFC	F814W	CR-SPLIT=NO	GS ACQ SCENARIO SINGLE	Sequence 1-8 Non-Int Prime + Parallel Group 1-4	350.0 Secs [==>]	[1]
	2	F475	(44) COMA-OUTSKIRTS-2	ACS/WFC, ACCUM, WFC	F475W	CR-SPLIT=NO		Sequence 1-8 Non-Int Prime + Parallel Group 1-4	640.0 Secs [==>]	[1]
	3	NICMOS H	ANY	NIC3, MULTIACCUM, NIC3	F160W	SAMP-SEQ=SPARS 128; NSAMP=7		Sequence 1-8 Non-Int Prime + Parallel Group 1-4	[==>]	[1]
	4	NICMOS J	ANY	NIC3, MULTIACCUM, NIC3-FIX	F110W	SAMP-SEQ=SPARS 128; NSAMP=7		Sequence 1-8 Non-Int Prime + Parallel Group 1-4	[==>]	[1]
	5	F814	(44) COMA-OUTSKIRTS-2	ACS/WFC, ACCUM, WFC	F814W	CR-SPLIT=NO	POS TARG 0.222,0.092	Sequence 1-8 Non-Int Prime + Parallel Group 5-8	350.0 Secs [==>]	[1]
	6	F475	(44) COMA-OUTSKIRTS-2	ACS/WFC, ACCUM, WFC	F475W	CR-SPLIT=NO	SAME POS AS 5	Sequence 1-8 Non-Int Prime + Parallel Group 5-8	640.0 Secs [==>]	[1]
	7	NICMOS H	ANY	NIC3, MULTIACCUM, NIC3	F160W	SAMP-SEQ=SPARS 128; NSAMP=7		Sequence 1-8 Non-Int Prime + Parallel Group 5-8	[==>]	[1]
8	NICMOS J	ANY	NIC3, MULTIACCUM, NIC3-FIX	F110W	SAMP-SEQ=SPARS 128; NSAMP=7		Sequence 1-8 Non-Int Prime + Parallel Group 5-8	[==>]	[1]	

Proposal 10861 - Visit 44 - An ACS Treasury Survey of the Coma cluster of galaxies

#	Label	Target	Config,Mode,Aperture	Spectral Els.	Opt. Params.	Special Reqs.	Groups	Exp. Time/[Actual Dur.]	Orbit	
Exposures (continued)	9	F814	(44) COMA-OUTSK IRTS-2	ACS/WFC, ACCUM, WFC	F814W	CR-SPLIT=NO	POS TARG 0.247,3.001; NEW OBSET FULL ACQ; GS ACQ SCENARIO SINGLE	Sequence 9-16 Non-Int Prime + Parallel Group 9-12	350.0 Secs [==>]	[2]
	10	F475	(44) COMA-OUTSK IRTS-2	ACS/WFC, ACCUM, WFC	F475W	CR-SPLIT=NO	SAME POS AS 9	Sequence 9-16 Non-Int Prime + Parallel Group 9-12	640.0 Secs [==>]	[2]
	11	NICMOS H	ANY	NIC3, MULTIACCUM, NIC3	F160W	SAMP-SEQ=SPARS 128; NSAMP=7		Sequence 9-16 Non-Int Prime + Parallel Group 9-12	[==>]	[2]
	12	NICMOS J	ANY	NIC3, MULTIACCUM, NIC3-FIX	F110W	SAMP-SEQ=SPARS 128; NSAMP=7		Sequence 9-16 Non-Int Prime + Parallel Group 9-12	[==>]	[2]
	13	F814	(44) COMA-OUTSK IRTS-2	ACS/WFC, ACCUM, WFC	F814W	CR-SPLIT=NO	POS TARG 0.469,3.093	Sequence 9-16 Non-Int Prime + Parallel Group 13-16	350.0 Secs [==>]	[2]
	14	F475	(44) COMA-OUTSK IRTS-2	ACS/WFC, ACCUM, WFC	F475W	CR-SPLIT=NO	SAME POS AS 13	Sequence 9-16 Non-Int Prime + Parallel Group 13-16	640.0 Secs [==>]	[2]
	15	NICMOS H	ANY	NIC3, MULTIACCUM, NIC3	F160W	SAMP-SEQ=SPARS 128; NSAMP=7		Sequence 9-16 Non-Int Prime + Parallel Group 13-16	[==>]	[2]
	16	NICMOS J	ANY	NIC3, MULTIACCUM, NIC3-FIX	F110W	SAMP-SEQ=SPARS 128; NSAMP=7		Sequence 9-16 Non-Int Prime + Parallel Group 13-16	[==>]	[2]

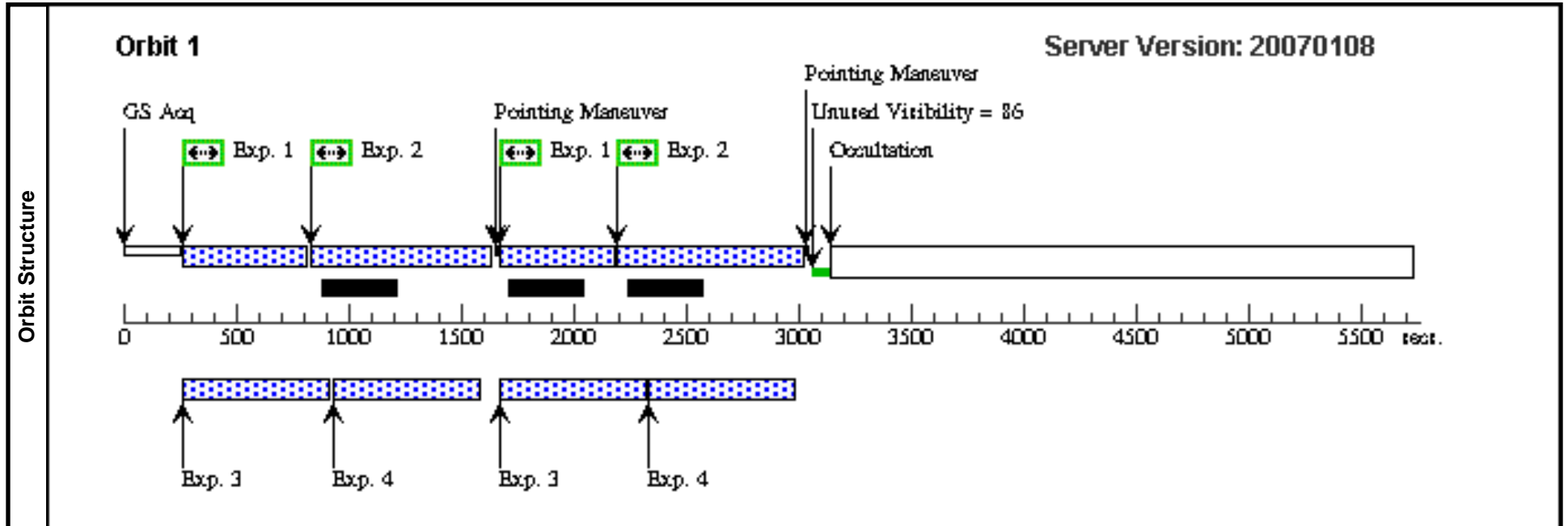


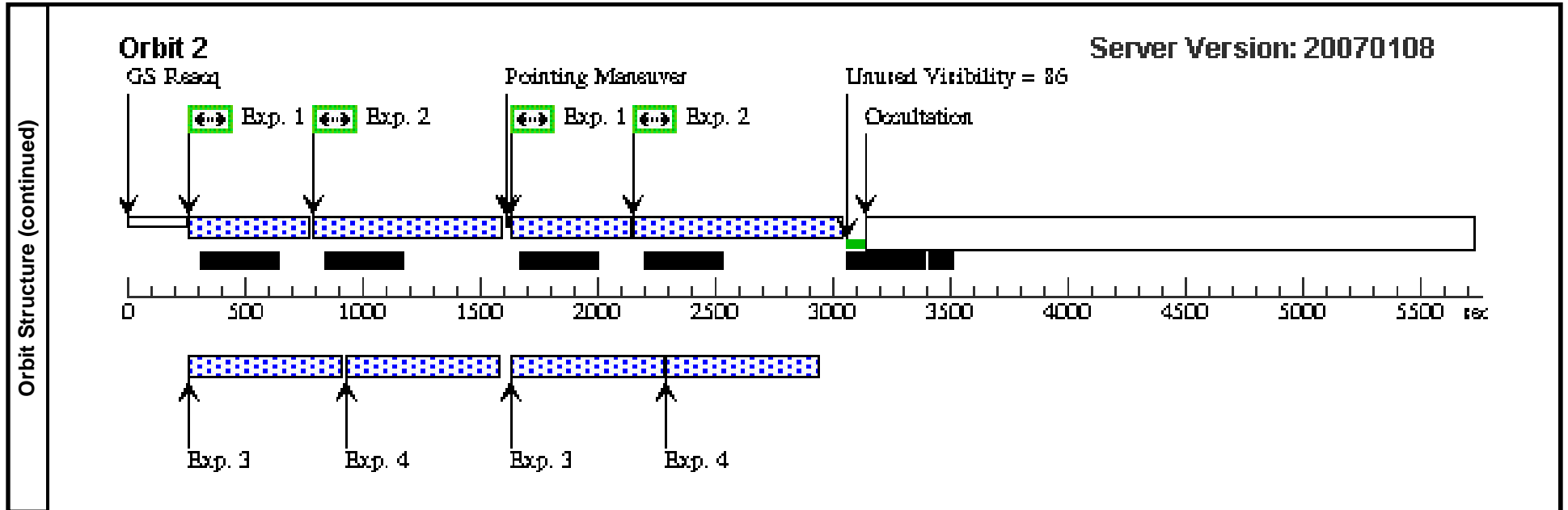


Proposal 10861 - Visit 45 - An ACS Treasury Survey of the Coma cluster of galaxies

Fri Jan 26 02:18:04 GMT 2007

Visit	Proposal 10861, Visit 45, completed Diagnostic Status: No Diagnostics Scientific Instruments: ACS/WFC, NIC3 Special Requirements: ORIENT 318.0D TO 322.0 D									
	Patterns	#	Primary Pattern			Secondary Pattern			Exposures	
		(1)	Pattern Type=ACS-WFC-DITHER-LINE Purpose=DITHER Number Of Points=2 Point Spacing=3.011 Line Spacing=	Coordinate Frame=POS-TARG Pattern Orientation=85.3 Angle Between Sides= Center Pattern=false	Pattern Type=LINE Purpose=DITHER Number Of Points=2 Point Spacing=0.241 Line Spacing=	Coordinate Frame=POS-TARG Pattern Orientation=22.3 Angle Between Sides= Center Pattern=false	(1-4)			
Fixed Targets	#	Name	Target Coordinates	Targ. Coord. Corrections	Fluxes	Miscellaneous				
	(45)	COMA-OUTSKIRTS-3	RA: 12 58 21.5800 (194.5899167d) Dec: +27 27 40.70 (27.46131d) Equinox: J2000		V=22.0	Reference Frame: ICRS				
Exposures	#	Label	Target	Config,Mode,Aperture	Spectral Els.	Opt. Params.	Special Reqs.	Groups	Exp. Time/[Actual Dur.]	Orbit
	1	F814	(45) COMA-OUTSK IRTS-3	ACS/WFC, ACCUM, WFC	F814W	CR-SPLIT=NO	GS ACQ SCENARI O SINGLE	Pattern 1-4 (1) Prime + Parallel Gro up 1-4	350.0 Secs [==>(Pattern 1,1)] [==>(Pattern 1,2)] [==>(Pattern 2,1)] [==>(Pattern 2,2)]	[1] [2]
	2	F475	(45) COMA-OUTSK IRTS-3	ACS/WFC, ACCUM, WFC	F475W	CR-SPLIT=NO		Pattern 1-4 (1) Prime + Parallel Gro up 1-4	640.0 Secs [==>(Pattern 1,1)] [==>665.0 Secs (Pattern 1,2)] [==>(Pattern 2,1)] [==>732.0 Secs (Pattern 2,2)]	[1] [2]
	3	NICMOS H	ANY	NIC3, MULTIACCUM, NIC3	F160W	SAMP-SEQ=SPARS 128; NSAMP=7		Pattern 1-4 (1) Prime + Parallel Gro up 1-4	[==>(Pattern 1,1)] [==>(Pattern 1,2)] [==>(Pattern 2,1)] [==>(Pattern 2,2)]	[1] [2]
	4	NICMOS J	ANY	NIC3, MULTIACCUM, NIC3-FIX	F110W	SAMP-SEQ=SPARS 128; NSAMP=7		Pattern 1-4 (1) Prime + Parallel Gro up 1-4	[==>(Pattern 1,1)] [==>(Pattern 1,2)] [==>(Pattern 2,1)] [==>(Pattern 2,2)]	[1] [2]

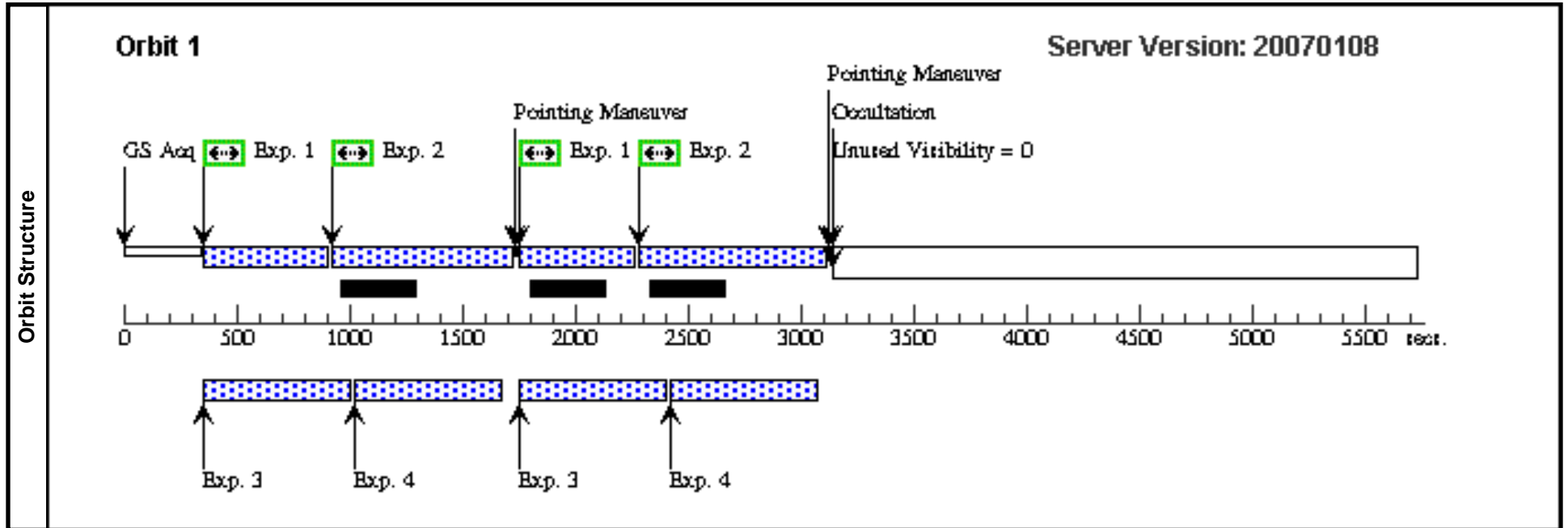


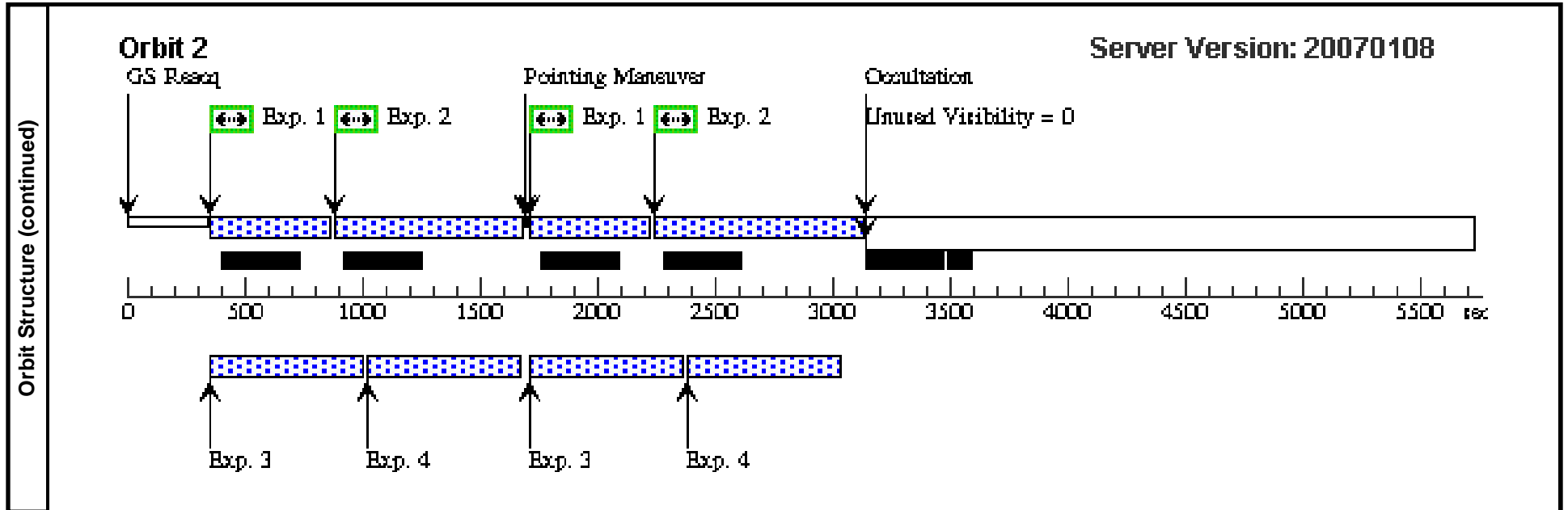


Proposal 10861 - Visit 46 - An ACS Treasury Survey of the Coma cluster of galaxies

Fri Jan 26 02:18:05 GMT 2007

Visit	Proposal 10861, Visit 46, completed Diagnostic Status: No Diagnostics Scientific Instruments: ACS/WFC, NIC3 Special Requirements: ORIENT 240.0D TO 280.0 D									
	Patterns	#	Primary Pattern			Secondary Pattern			Exposures	
		(1)	Pattern Type=ACS-WFC-DITHER-LINE Purpose=DITHER Number Of Points=2 Point Spacing=3.011 Line Spacing=	Coordinate Frame=POS-TARG Pattern Orientation=85.3 Angle Between Sides= Center Pattern=false	Pattern Type=LINE Purpose=DITHER Number Of Points=2 Point Spacing=0.241 Line Spacing=	Coordinate Frame=POS-TARG Pattern Orientation=22.3 Angle Between Sides= Center Pattern=false	(1-4)			
Fixed Targets	#	Name	Target Coordinates	Targ. Coord. Corrections	Fluxes	Miscellaneous				
	(46)	COMA-OUTSKIRTS-4	RA: 12 58 34.0000 (194.6416667d) Dec: +27 22 58.80 (27.38300d) Equinox: J2000		V=22.0	Reference Frame: ICRS				
Exposures	#	Label	Target	Config,Mode,Aperture	Spectral Els.	Opt. Params.	Special Reqs.	Groups	Exp. Time/[Actual Dur.]	Orbit
	1	F814	(46) COMA-OUTSK IRTS-4	ACS/WFC, ACCUM, WFC	F814W	CR-SPLIT=NO		Pattern 1-4 (1) Prime + Parallel Group 1-4	350.0 Secs [==>(Pattern 1,1)] [==>(Pattern 1,2)] [==>(Pattern 2,1)] [==>(Pattern 2,2)]	[1] [2]
	2	F475	(46) COMA-OUTSK IRTS-4	ACS/WFC, ACCUM, WFC	F475W	CR-SPLIT=NO		Pattern 1-4 (1) Prime + Parallel Group 1-4	640.0 Secs [==>(Pattern 1,1)] [==>665.0 Secs (Pattern 1,2)] [==>(Pattern 2,1)] [==>732.0 Secs (Pattern 2,2)]	[1] [2]
	3	NICMOS H	ANY	NIC3, MULTIACCUM, NIC3	F160W	SAMP-SEQ=SPARS 128; NSAMP=7		Pattern 1-4 (1) Prime + Parallel Group 1-4	[==>(Pattern 1,1)] [==>(Pattern 1,2)] [==>(Pattern 2,1)] [==>(Pattern 2,2)]	[1] [2]
	4	NICMOS J	ANY	NIC3, MULTIACCUM, NIC3-FIX	F110W	SAMP-SEQ=SPARS 128; NSAMP=7		Pattern 1-4 (1) Prime + Parallel Group 1-4	[==>(Pattern 1,1)] [==>(Pattern 1,2)] [==>(Pattern 2,1)] [==>(Pattern 2,2)]	[1] [2]

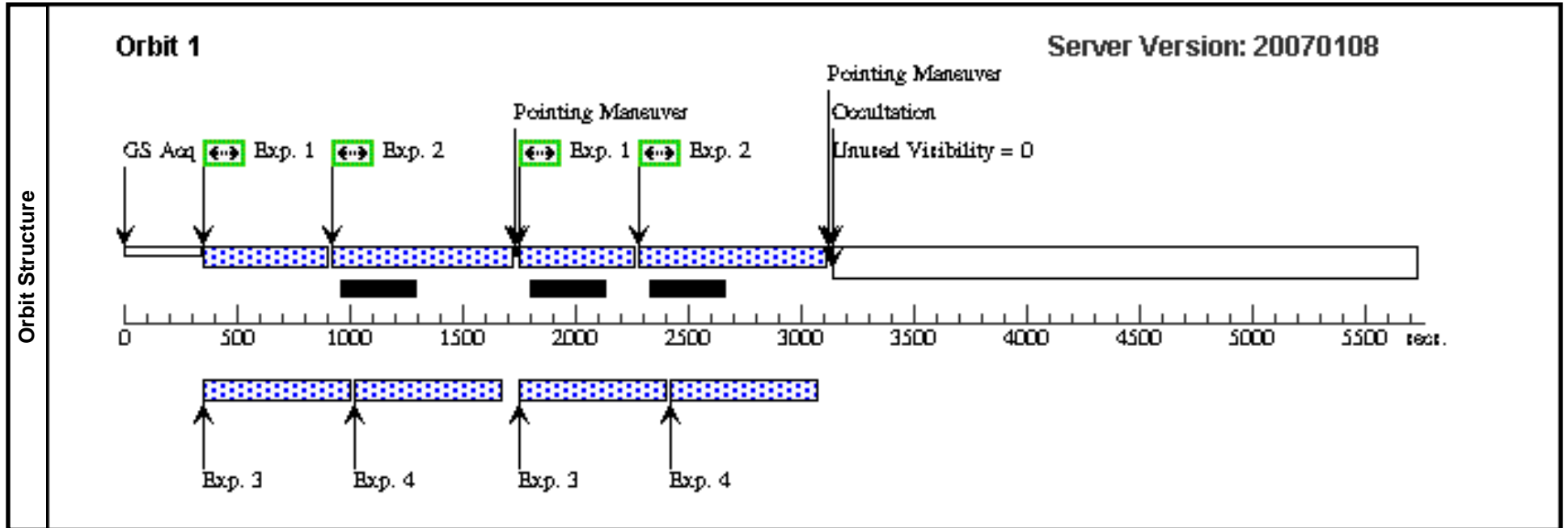


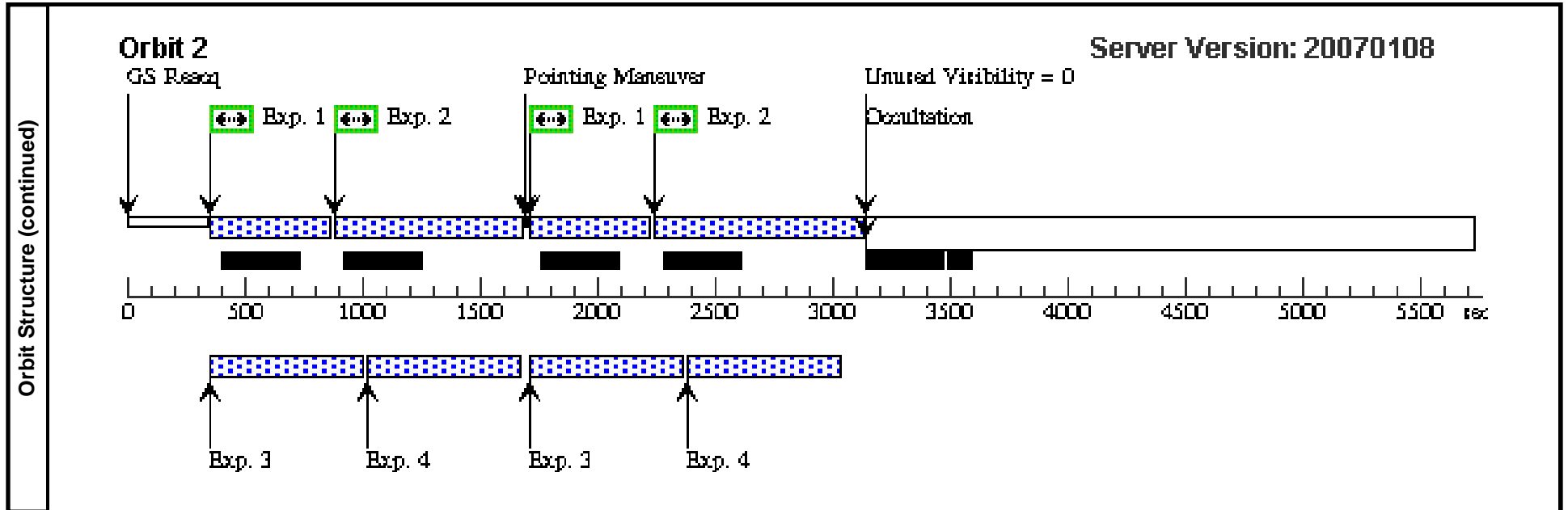


Proposal 10861 - Visit 47 - An ACS Treasury Survey of the Coma cluster of galaxies

Fri Jan 26 02:18:05 GMT 2007

Visit	Proposal 10861, Visit 47, scheduling Diagnostic Status: No Diagnostics Scientific Instruments: ACS/WFC, NIC3 Special Requirements: ORIENT 219.0D TO 221.0 D									
	Patterns	#	Primary Pattern			Secondary Pattern			Exposures	
		(1)	Pattern Type=ACS-WFC-DITHER-LINE Purpose=DITHER Number Of Points=2 Point Spacing=3.011 Line Spacing=	Coordinate Frame=POS-TARG Pattern Orientation=85.3 Angle Between Sides= Center Pattern=false	Pattern Type=LINE Purpose=DITHER Number Of Points=2 Point Spacing=0.241 Line Spacing=	Coordinate Frame=POS-TARG Pattern Orientation=22.3 Angle Between Sides= Center Pattern=false	(1-4)			
Fixed Targets	#	Name	Target Coordinates	Targ. Coord. Corrections	Fluxes	Miscellaneous				
	(47)	COMA-OUTSKIRTS-5	RA: 12 57 27.3800 (194.3640833d) Dec: +27 28 59.10 (27.48308d) Equinox: J2000		V=22.0	Reference Frame: ICRS				
Exposures	#	Label	Target	Config,Mode,Aperture	Spectral Els.	Opt. Params.	Special Reqs.	Groups	Exp. Time/[Actual Dur.]	Orbit
	1	F814	(47) COMA-OUTSK IRTS-5	ACS/WFC, ACCUM, WFC	F814W	CR-SPLIT=NO		Pattern 1-4 (1) Prime + Parallel Group 1-4	350.0 Secs [==>(Pattern 1,1)] [==>(Pattern 1,2)] [==>(Pattern 2,1)] [==>(Pattern 2,2)]	[1] [2]
	2	F475	(47) COMA-OUTSK IRTS-5	ACS/WFC, ACCUM, WFC	F475W	CR-SPLIT=NO		Pattern 1-4 (1) Prime + Parallel Group 1-4	640.0 Secs [==>(Pattern 1,1)] [==>665.0 Secs (Pattern 1,2)] [==>(Pattern 2,1)] [==>732.0 Secs (Pattern 2,2)]	[1] [2]
	3	NICMOS H	ANY	NIC3, MULTIACCUM, NIC3	F160W	SAMP-SEQ=SPARS 128; NSAMP=7		Pattern 1-4 (1) Prime + Parallel Group 1-4	[==>(Pattern 1,1)] [==>(Pattern 1,2)] [==>(Pattern 2,1)] [==>(Pattern 2,2)]	[1] [2]
	4	NICMOS J	ANY	NIC3, MULTIACCUM, NIC3-FIX	F110W	SAMP-SEQ=SPARS 128; NSAMP=7		Pattern 1-4 (1) Prime + Parallel Group 1-4	[==>(Pattern 1,1)] [==>(Pattern 1,2)] [==>(Pattern 2,1)] [==>(Pattern 2,2)]	[1] [2]





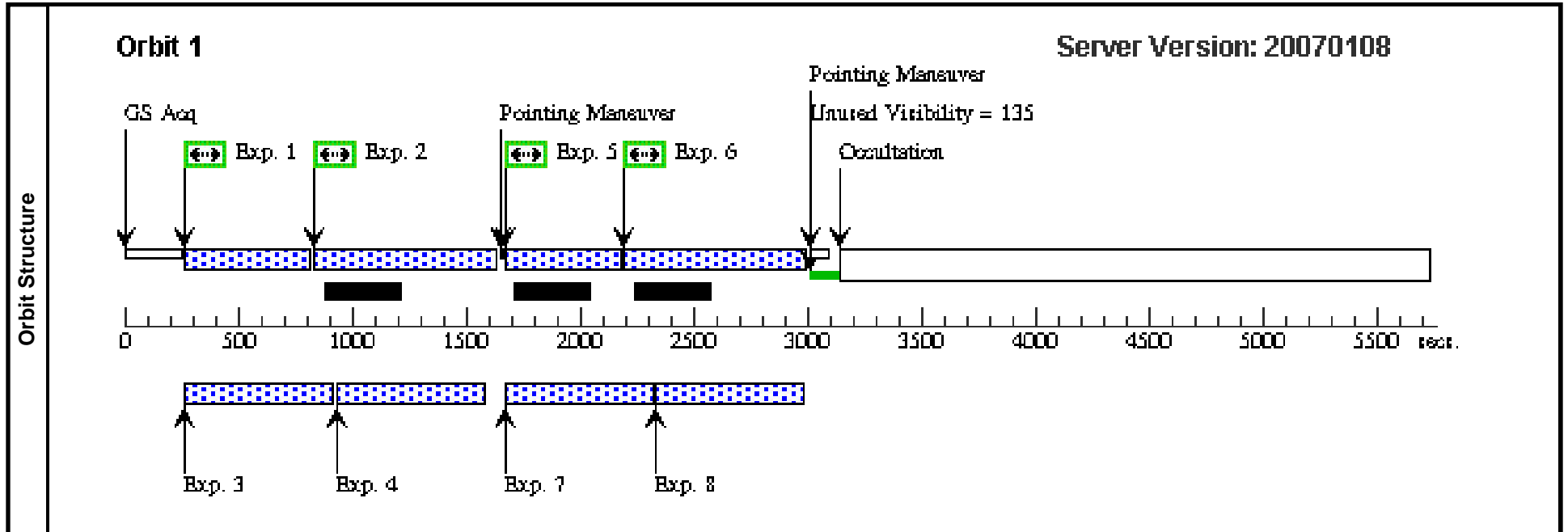
Proposal 10861 - Visit 48 - An ACS Treasury Survey of the Coma cluster of galaxies

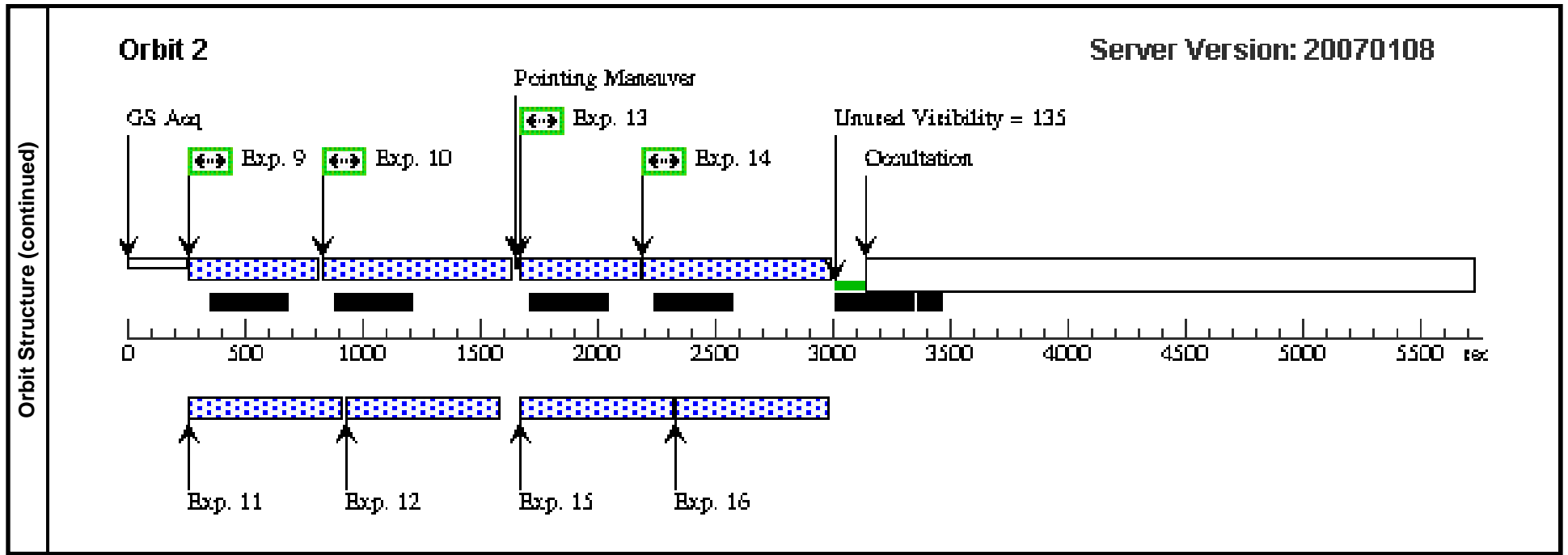
Fri Jan 26 02:18:05 GMT 2007

Visit	Proposal 10861, Visit 48, scheduling									
	Diagnostic Status: No Diagnostics									
Scientific Instruments: ACS/WFC, NIC3										
Special Requirements: ORIENT 238.0D TO 290.0 D										
Fixed Targets	#	Name	Target Coordinates	Targ. Coord. Corrections	Fluxes	Miscellaneous				
	(48)	COMA-OUTSKIRTS-6	RA: 12 58 0.5000 (194.5020833d) Dec: +27 22 23.70 (27.37325d) Equinox: J2000		V=22.0	Reference Frame: ICRS				
Exposures	#	Label	Target	Config,Mode,Aperture	Spectral Els.	Opt. Params.	Special Reqs.	Groups	Exp. Time/[Actual Dur.]	Orbit
	1	F814	(48) COMA-OUTSKIRTS-6	ACS/WFC, ACCUM, WFC	F814W	CR-SPLIT=NO	GS ACQ SCENARIO SINGLE	Sequence 1-8 Non-Int Prime + Parallel Group 1-4	350.0 Secs [==>]	[1]
	2	F475	(48) COMA-OUTSKIRTS-6	ACS/WFC, ACCUM, WFC	F475W	CR-SPLIT=NO		Sequence 1-8 Non-Int Prime + Parallel Group 1-4	640.0 Secs [==>]	[1]
	3	NICMOS H	ANY	NIC3, MULTIACCUM, NIC3	F160W	SAMP-SEQ=SPARS 128; NSAMP=7		Sequence 1-8 Non-Int Prime + Parallel Group 1-4	[==>]	[1]
	4	NICMOS J	ANY	NIC3, MULTIACCUM, NIC3-FIX	F110W	SAMP-SEQ=SPARS 128; NSAMP=7		Sequence 1-8 Non-Int Prime + Parallel Group 1-4	[==>]	[1]
	5	F814	(48) COMA-OUTSKIRTS-6	ACS/WFC, ACCUM, WFC	F814W	CR-SPLIT=NO	POS TARG 0.222,0.092	Sequence 1-8 Non-Int Prime + Parallel Group 5-8	350.0 Secs [==>]	[1]
	6	F475	(48) COMA-OUTSKIRTS-6	ACS/WFC, ACCUM, WFC	F475W	CR-SPLIT=NO	SAME POS AS 5	Sequence 1-8 Non-Int Prime + Parallel Group 5-8	640.0 Secs [==>]	[1]
	7	NICMOS H	ANY	NIC3, MULTIACCUM, NIC3	F160W	SAMP-SEQ=SPARS 128; NSAMP=7		Sequence 1-8 Non-Int Prime + Parallel Group 5-8	[==>]	[1]
	8	NICMOS J	ANY	NIC3, MULTIACCUM, NIC3-FIX	F110W	SAMP-SEQ=SPARS 128; NSAMP=7		Sequence 1-8 Non-Int Prime + Parallel Group 5-8	[==>]	[1]

Proposal 10861 - Visit 48 - An ACS Treasury Survey of the Coma cluster of galaxies

#	Label	Target	Config,Mode,Aperture	Spectral Els.	Opt. Params.	Special Reqs.	Groups	Exp. Time/[Actual Dur.]	Orbit	
Exposures (continued)	9	F814	(48) COMA-OUTSK IRTS-6	ACS/WFC, ACCUM, WFC	F814W	CR-SPLIT=NO	POS TARG 0.247,3.001; NEW OBSET FULL ACQ; GS ACQ SCENARIO SINGLE	Sequence 9-16 Non-Int Prime + Parallel Group 9-12	350.0 Secs [==>]	[2]
	10	F475	(48) COMA-OUTSK IRTS-6	ACS/WFC, ACCUM, WFC	F475W	CR-SPLIT=NO	SAME POS AS 9	Sequence 9-16 Non-Int Prime + Parallel Group 9-12	640.0 Secs [==>]	[2]
	11	NICMOS H	ANY	NIC3, MULTIACCUM, NIC3	F160W	SAMP-SEQ=SPARS 128; NSAMP=7		Sequence 9-16 Non-Int Prime + Parallel Group 9-12	[==>]	[2]
	12	NICMOS J	ANY	NIC3, MULTIACCUM, NIC3-FIX	F110W	SAMP-SEQ=SPARS 128; NSAMP=7		Sequence 9-16 Non-Int Prime + Parallel Group 9-12	[==>]	[2]
	13	F814	(48) COMA-OUTSK IRTS-6	ACS/WFC, ACCUM, WFC	F814W	CR-SPLIT=NO	POS TARG 0.469,3.093	Sequence 9-16 Non-Int Prime + Parallel Group 13-16	350.0 Secs [==>]	[2]
	14	F475	(48) COMA-OUTSK IRTS-6	ACS/WFC, ACCUM, WFC	F475W	CR-SPLIT=NO	SAME POS AS 13	Sequence 9-16 Non-Int Prime + Parallel Group 13-16	640.0 Secs [==>]	[2]
	15	NICMOS H	ANY	NIC3, MULTIACCUM, NIC3	F160W	SAMP-SEQ=SPARS 128; NSAMP=7		Sequence 9-16 Non-Int Prime + Parallel Group 13-16	[==>]	[2]
	16	NICMOS J	ANY	NIC3, MULTIACCUM, NIC3-FIX	F110W	SAMP-SEQ=SPARS 128; NSAMP=7		Sequence 9-16 Non-Int Prime + Parallel Group 13-16	[==>]	[2]

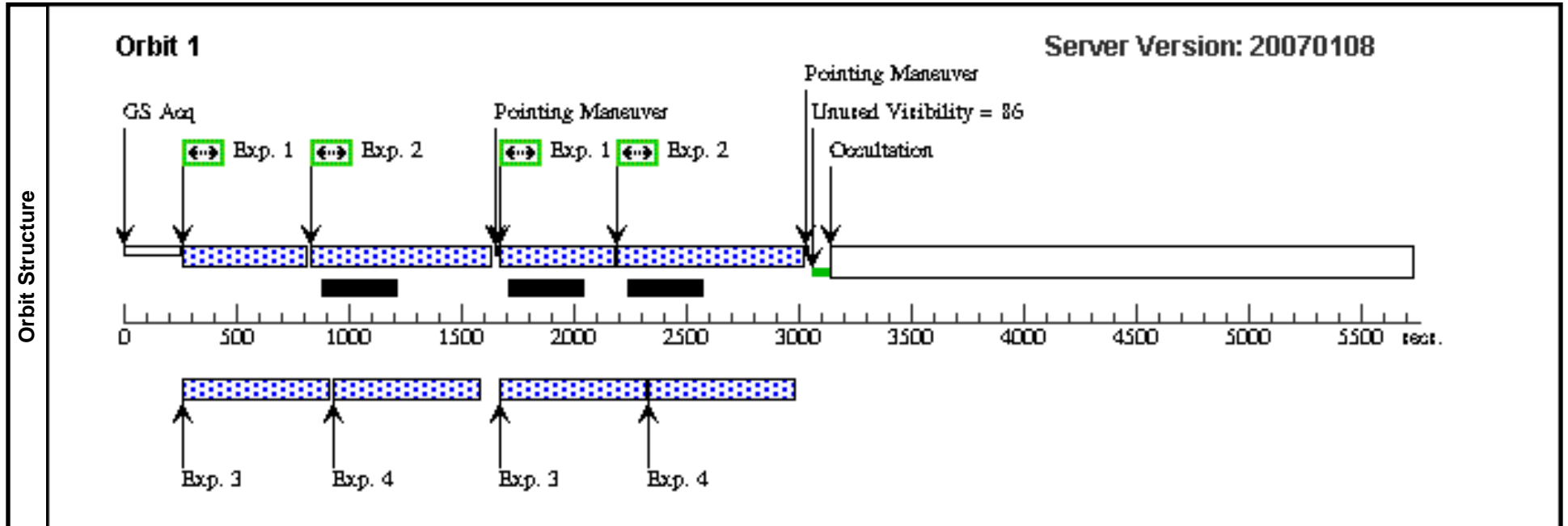


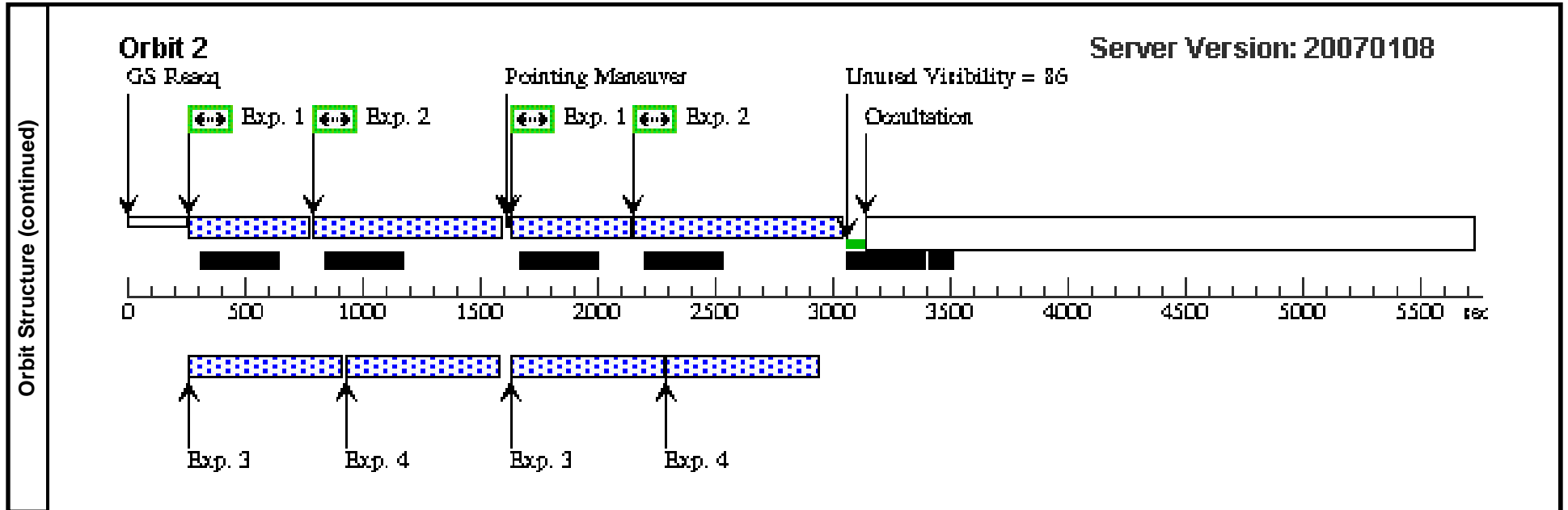


Proposal 10861 - Visit 49 - An ACS Treasury Survey of the Coma cluster of galaxies

Fri Jan 26 02:18:06 GMT 2007

Visit	Proposal 10861, Visit 49, scheduling Diagnostic Status: No Diagnostics Scientific Instruments: ACS/WFC, NIC3 Special Requirements: ORIENT 280.0D TO 323.0 D									
	Patterns	#	Primary Pattern			Secondary Pattern			Exposures	
		(1)	Pattern Type=ACS-WFC-DITHER-LINE Purpose=DITHER Number Of Points=2 Point Spacing=3.011 Line Spacing=	Coordinate Frame=POS-TARG Pattern Orientation=85.3 Angle Between Sides= Center Pattern=false	Pattern Type=LINE Purpose=DITHER Number Of Points=2 Point Spacing=0.241 Line Spacing=	Coordinate Frame=POS-TARG Pattern Orientation=22.3 Angle Between Sides= Center Pattern=false	(1-4)			
Fixed Targets	#	Name	Target Coordinates	Targ. Coord. Corrections	Fluxes	Miscellaneous				
	(49)	COMA-OUTSKIRTS-7	RA: 12 57 42.5200 (194.4271667d) Dec: +27 26 37.65 (27.44379d) Equinox: J2000		V=22.0	Reference Frame: ICRS				
Exposures	#	Label	Target	Config,Mode,Aperture	Spectral Els.	Opt. Params.	Special Reqs.	Groups	Exp. Time/[Actual Dur.]	Orbit
	1	F814	(49) COMA-OUTSK IRTS-7	ACS/WFC, ACCUM, WFC	F814W	CR-SPLIT=NO	GS ACQ SCENARI O SINGLE	Pattern 1-4 (1) Prime + Parallel Gro up 1-4	350.0 Secs [==>(Pattern 1,1)] [==>(Pattern 1,2)] [==>(Pattern 2,1)] [==>(Pattern 2,2)]	[1] [2]
	2	F475	(49) COMA-OUTSK IRTS-7	ACS/WFC, ACCUM, WFC	F475W	CR-SPLIT=NO		Pattern 1-4 (1) Prime + Parallel Gro up 1-4	640.0 Secs [==>(Pattern 1,1)] [==>665.0 Secs (Pattern 1,2)] [==>(Pattern 2,1)] [==>732.0 Secs (Pattern 2,2)]	[1] [2]
	3	NICMOS H	ANY	NIC3, MULTIACCUM, NIC3	F160W	SAMP-SEQ=SPARS 128; NSAMP=7		Pattern 1-4 (1) Prime + Parallel Gro up 1-4	[==>(Pattern 1,1)] [==>(Pattern 1,2)] [==>(Pattern 2,1)] [==>(Pattern 2,2)]	[1] [2]
	4	NICMOS J	ANY	NIC3, MULTIACCUM, NIC3-FIX	F110W	SAMP-SEQ=SPARS 128; NSAMP=7		Pattern 1-4 (1) Prime + Parallel Gro up 1-4	[==>(Pattern 1,1)] [==>(Pattern 1,2)] [==>(Pattern 2,1)] [==>(Pattern 2,2)]	[1] [2]

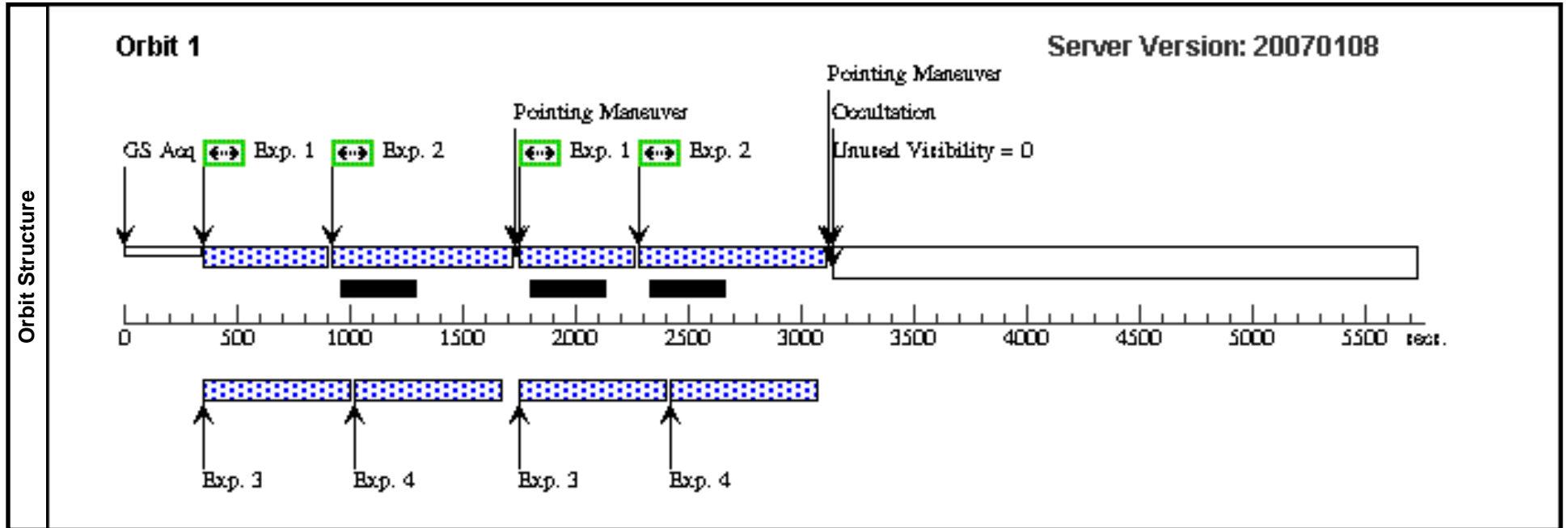


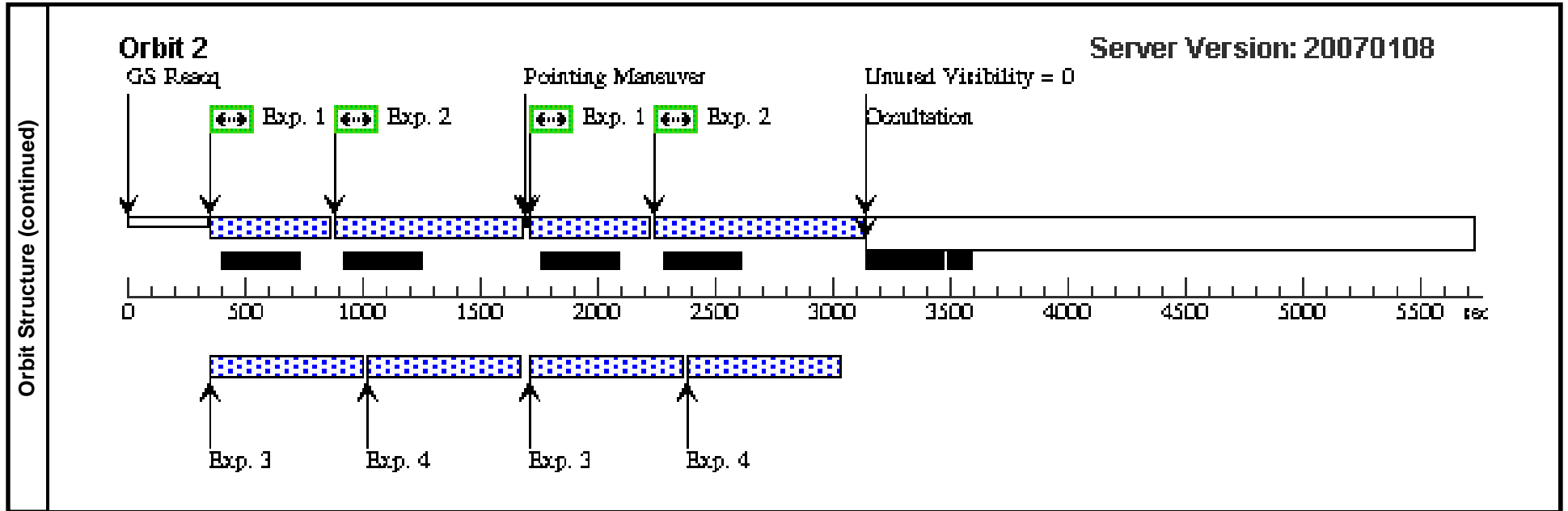


Proposal 10861 - Visit 50 - An ACS Treasury Survey of the Coma cluster of galaxies

Fri Jan 26 02:18:06 GMT 2007

Visit	Proposal 10861, Visit 50, scheduling Diagnostic Status: No Diagnostics Scientific Instruments: ACS/WFC, NIC3 Special Requirements: ORIENT 230.0D TO 323.0 D									
	Patterns	#	Primary Pattern			Secondary Pattern			Exposures	
		(1)	Pattern Type=ACS-WFC-DITHER-LINE Purpose=DITHER Number Of Points=2 Point Spacing=3.011 Line Spacing=	Coordinate Frame=POS-TARG Pattern Orientation=85.3 Angle Between Sides= Center Pattern=false	Pattern Type=LINE Purpose=DITHER Number Of Points=2 Point Spacing=0.241 Line Spacing=	Coordinate Frame=POS-TARG Pattern Orientation=22.3 Angle Between Sides= Center Pattern=false	(1-4)			
Fixed Targets	#	Name	Target Coordinates	Targ. Coord. Corrections	Fluxes	Miscellaneous				
	(50)	COMA-OUTSKIRTS-8	RA: 12 57 27.4000 (194.3641667d) Dec: +27 23 37.00 (27.39361d) Equinox: J2000		V=22.0	Reference Frame: ICRS				
Exposures	#	Label	Target	Config,Mode,Aperture	Spectral Els.	Opt. Params.	Special Reqs.	Groups	Exp. Time/[Actual Dur.]	Orbit
	1	F814	(50) COMA-OUTSK IRTS-8	ACS/WFC, ACCUM, WFC	F814W	CR-SPLIT=NO		Pattern 1-4 (1) Prime + Parallel Group 1-4	350.0 Secs	
									[==>(Pattern 1,1)]	[1]
									[==>(Pattern 1,2)]	
									[==>(Pattern 2,1)]	[2]
									[==>(Pattern 2,2)]	
	2	F475	(50) COMA-OUTSK IRTS-8	ACS/WFC, ACCUM, WFC	F475W	CR-SPLIT=NO		Pattern 1-4 (1) Prime + Parallel Group 1-4	640.0 Secs	
									[==>(Pattern 1,1)]	[1]
								[==>665.0 Secs (Pattern 1,2)]		
								[==>(Pattern 2,1)]	[2]	
								[==>732.0 Secs (Pattern 2,2)]		
3	NICMOS H	ANY	NIC3, MULTIACCUM, NIC3	F160W	SAMP-SEQ=SPARS 128; NSAMP=7		Pattern 1-4 (1) Prime + Parallel Group 1-4			
								[==>(Pattern 1,1)]	[1]	
								[==>(Pattern 1,2)]		
								[==>(Pattern 2,1)]	[2]	
								[==>(Pattern 2,2)]		
4	NICMOS J	ANY	NIC3, MULTIACCUM, NIC3-FIX	F110W	SAMP-SEQ=SPARS 128; NSAMP=7		Pattern 1-4 (1) Prime + Parallel Group 1-4			
								[==>(Pattern 1,1)]	[1]	
								[==>(Pattern 1,2)]		
								[==>(Pattern 2,1)]	[2]	
								[==>(Pattern 2,2)]		

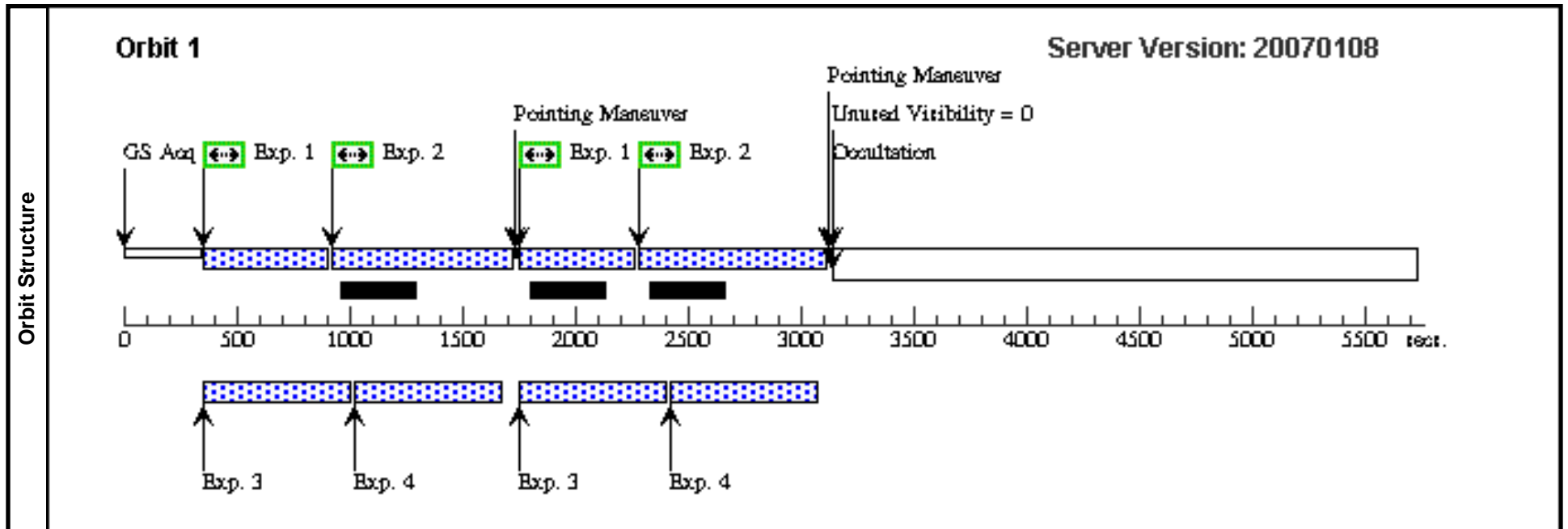


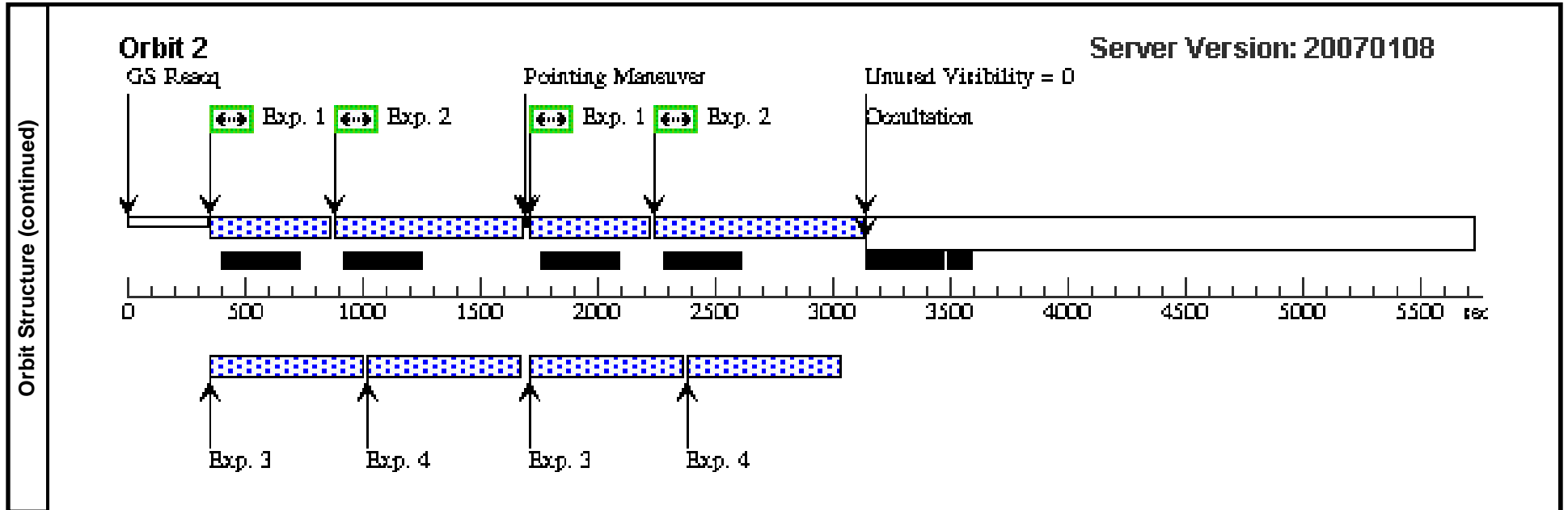


Proposal 10861 - Visit 51 - An ACS Treasury Survey of the Coma cluster of galaxies

Fri Jan 26 02:18:07 GMT 2007

Visit	Proposal 10861, Visit 51, scheduling Diagnostic Status: No Diagnostics Scientific Instruments: ACS/WFC, NIC3 Special Requirements: ORIENT 260.0D TO 323.0 D									
	Patterns	#	Primary Pattern			Secondary Pattern			Exposures	
		(1)	Pattern Type=ACS-WFC-DITHER-LINE Purpose=DITHER Number Of Points=2 Point Spacing=3.011 Line Spacing=	Coordinate Frame=POS-TARG Pattern Orientation=85.3 Angle Between Sides= Center Pattern=false	Pattern Type=LINE Purpose=DITHER Number Of Points=2 Point Spacing=0.241 Line Spacing=	Coordinate Frame=POS-TARG Pattern Orientation=22.3 Angle Between Sides= Center Pattern=false	(1-4)			
Fixed Targets	#	Name	Target Coordinates	Targ. Coord. Corrections	Fluxes	Miscellaneous				
	(51)	COMA-OUTSKIRTS-9	RA: 12 57 4.7000 (194.2695833d) Dec: +27 21 25.10 (27.35697d) Equinox: J2000		V=22.0	Reference Frame: ICRS				
Exposures	#	Label	Target	Config,Mode,Aperture	Spectral Els.	Opt. Params.	Special Reqs.	Groups	Exp. Time/[Actual Dur.]	Orbit
	1	F814	(51) COMA-OUTSK IRTS-9	ACS/WFC, ACCUM, WFC	F814W	CR-SPLIT=NO		Pattern 1-4 (1) Prime + Parallel Group 1-4	350.0 Secs [==>(Pattern 1,1)] [==>(Pattern 1,2)] [==>(Pattern 2,1)] [==>(Pattern 2,2)]	[1] [2]
	2	F475	(51) COMA-OUTSK IRTS-9	ACS/WFC, ACCUM, WFC	F475W	CR-SPLIT=NO		Pattern 1-4 (1) Prime + Parallel Group 1-4	640.0 Secs [==>(Pattern 1,1)] [==>665.0 Secs (Pattern 1,2)] [==>(Pattern 2,1)] [==>732.0 Secs (Pattern 2,2)]	[1] [2]
	3	NICMOS H	ANY	NIC3, MULTIACCUM, NIC3	F160W	SAMP-SEQ=SPARS 128; NSAMP=7		Pattern 1-4 (1) Prime + Parallel Group 1-4	[==>(Pattern 1,1)] [==>(Pattern 1,2)] [==>(Pattern 2,1)] [==>(Pattern 2,2)]	[1] [2]
	4	NICMOS J	ANY	NIC3, MULTIACCUM, NIC3-FIX	F110W	SAMP-SEQ=SPARS 128; NSAMP=7		Pattern 1-4 (1) Prime + Parallel Group 1-4	[==>(Pattern 1,1)] [==>(Pattern 1,2)] [==>(Pattern 2,1)] [==>(Pattern 2,2)]	[1] [2]

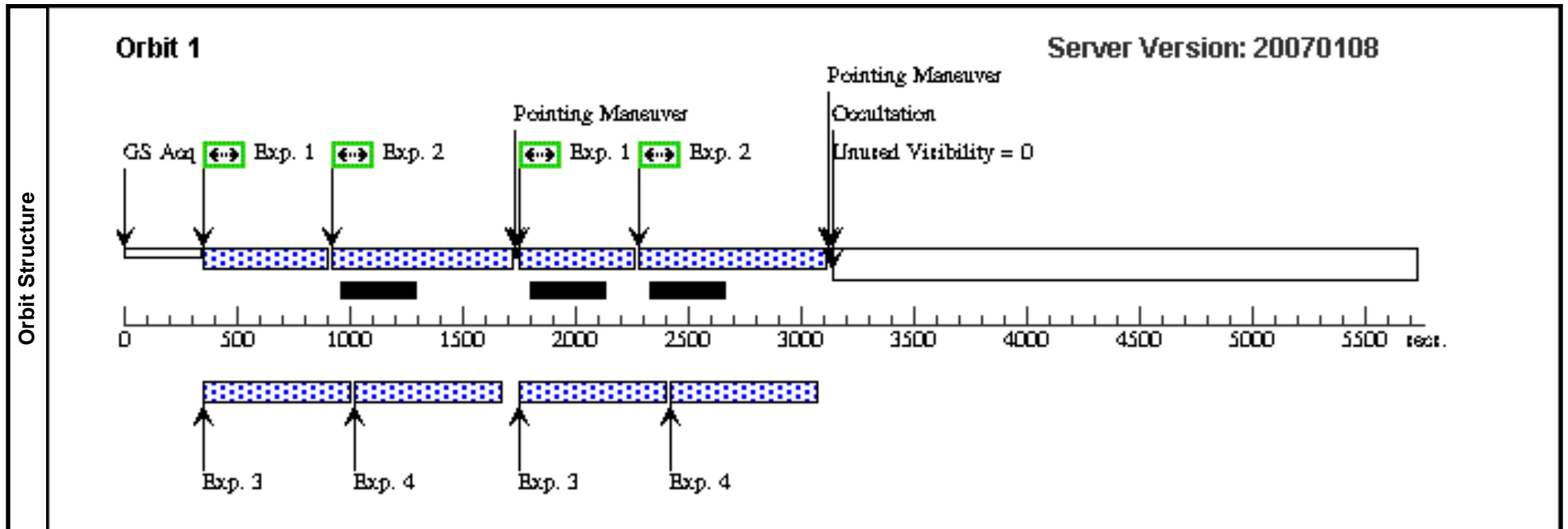


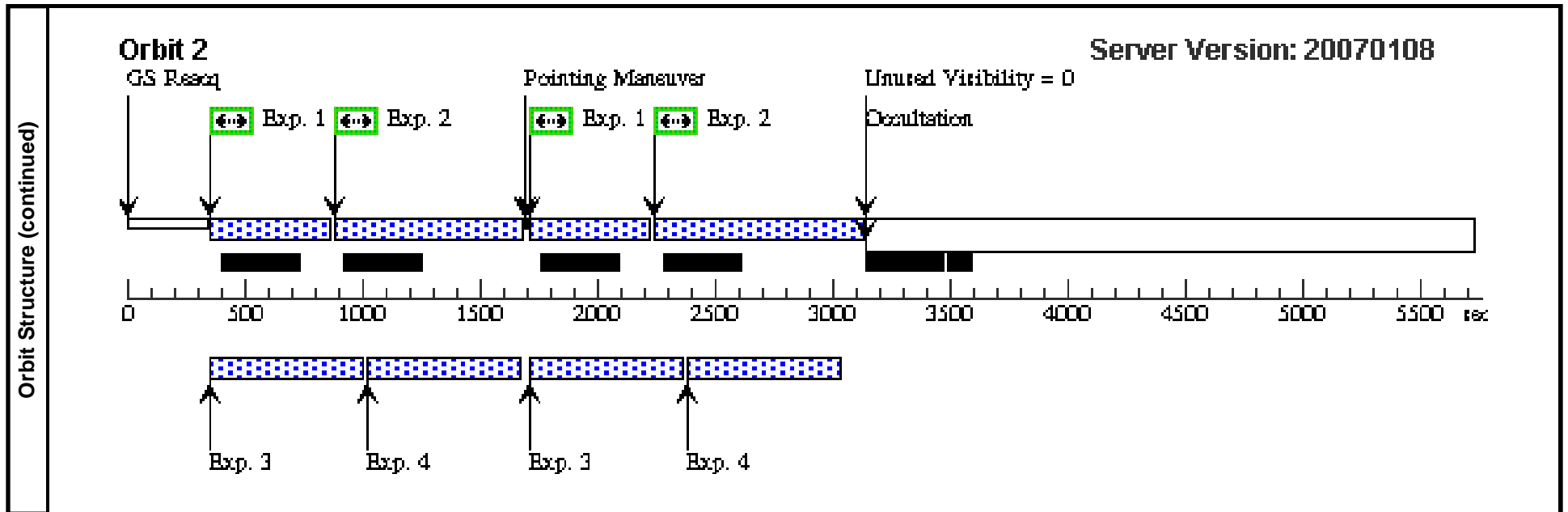


Proposal 10861 - Visit 52 - An ACS Treasury Survey of the Coma cluster of galaxies

Fri Jan 26 02:18:07 GMT 2007

Visit	Proposal 10861, Visit 52, scheduling Diagnostic Status: No Diagnostics Scientific Instruments: ACS/WFC, NIC3 Special Requirements: ORIENT 250.0D TO 323.0 D									
	Patterns	#	Primary Pattern			Secondary Pattern			Exposures	
		(1)	Pattern Type=ACS-WFC-DITHER-LINE Purpose=DITHER Number Of Points=2 Point Spacing=3.011 Line Spacing=	Coordinate Frame=POS-TARG Pattern Orientation=85.3 Angle Between Sides= Center Pattern=false	Pattern Type=LINE Purpose=DITHER Number Of Points=2 Point Spacing=0.241 Line Spacing=	Coordinate Frame=POS-TARG Pattern Orientation=22.3 Angle Between Sides= Center Pattern=false	(1-4)			
Fixed Targets	#	Name	Target Coordinates	Targ. Coord. Corrections	Fluxes	Miscellaneous				
	(52)	COMA-OUTSKIRTS-10	RA: 12 56 44.3000 (194.1845833d) Dec: +27 26 12.00 (27.43667d) Equinox: J2000		V=22.0	Reference Frame: ICRS				
Exposures	#	Label	Target	Config,Mode,Aperture	Spectral Els.	Opt. Params.	Special Reqs.	Groups	Exp. Time/[Actual Dur.]	Orbit
	1	F814	(52) COMA-OUTSK IRTS-10	ACS/WFC, ACCUM, WFC	F814W	CR-SPLIT=NO		Pattern 1-4 (1) Prime + Parallel Group 1-4	350.0 Secs [==>(Pattern 1,1)] [==>(Pattern 1,2)] [==>(Pattern 2,1)] [==>(Pattern 2,2)]	[1] [2]
	2	F475	(52) COMA-OUTSK IRTS-10	ACS/WFC, ACCUM, WFC	F475W	CR-SPLIT=NO		Pattern 1-4 (1) Prime + Parallel Group 1-4	640.0 Secs [==>(Pattern 1,1)] [==>665.0 Secs (Pattern 1,2)] [==>(Pattern 2,1)] [==>732.0 Secs (Pattern 2,2)]	[1] [2]
	3	NICMOS H	ANY	NIC3, MULTIACCUM, NIC3	F160W	SAMP-SEQ=SPARS 128; NSAMP=7		Pattern 1-4 (1) Prime + Parallel Group 1-4	[==>(Pattern 1,1)] [==>(Pattern 1,2)] [==>(Pattern 2,1)] [==>(Pattern 2,2)]	[1] [2]
	4	NICMOS J	ANY	NIC3, MULTIACCUM, NIC3-FIX	F110W	SAMP-SEQ=SPARS 128; NSAMP=7		Pattern 1-4 (1) Prime + Parallel Group 1-4	[==>(Pattern 1,1)] [==>(Pattern 1,2)] [==>(Pattern 2,1)] [==>(Pattern 2,2)]	[1] [2]

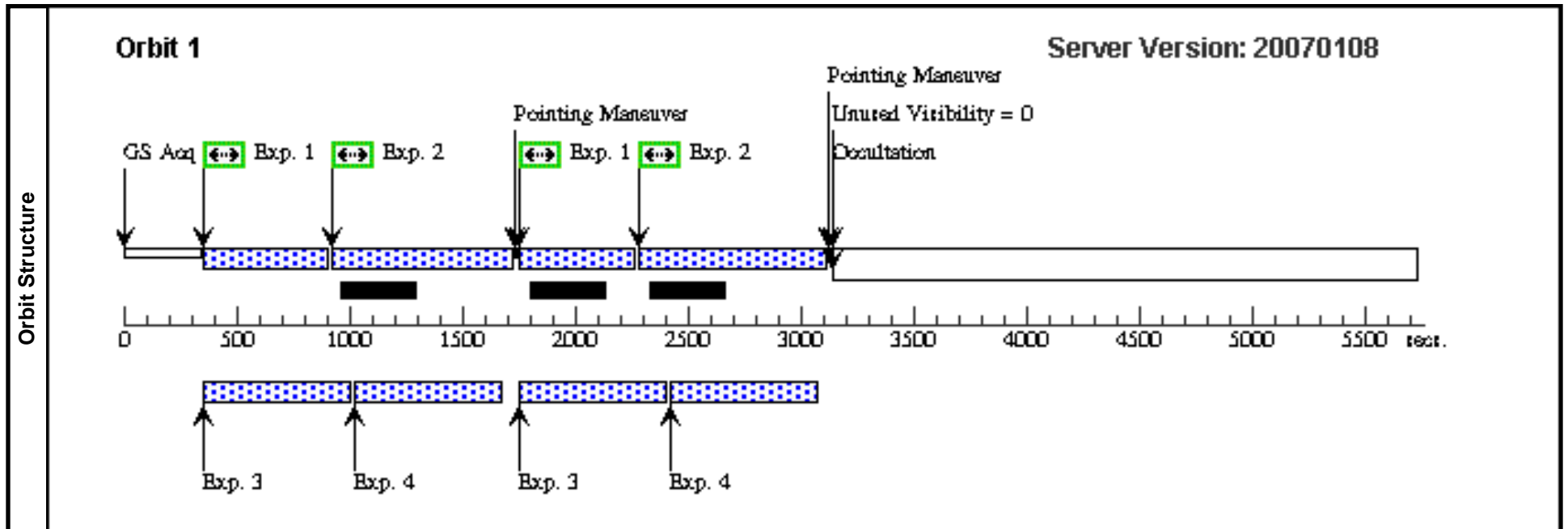


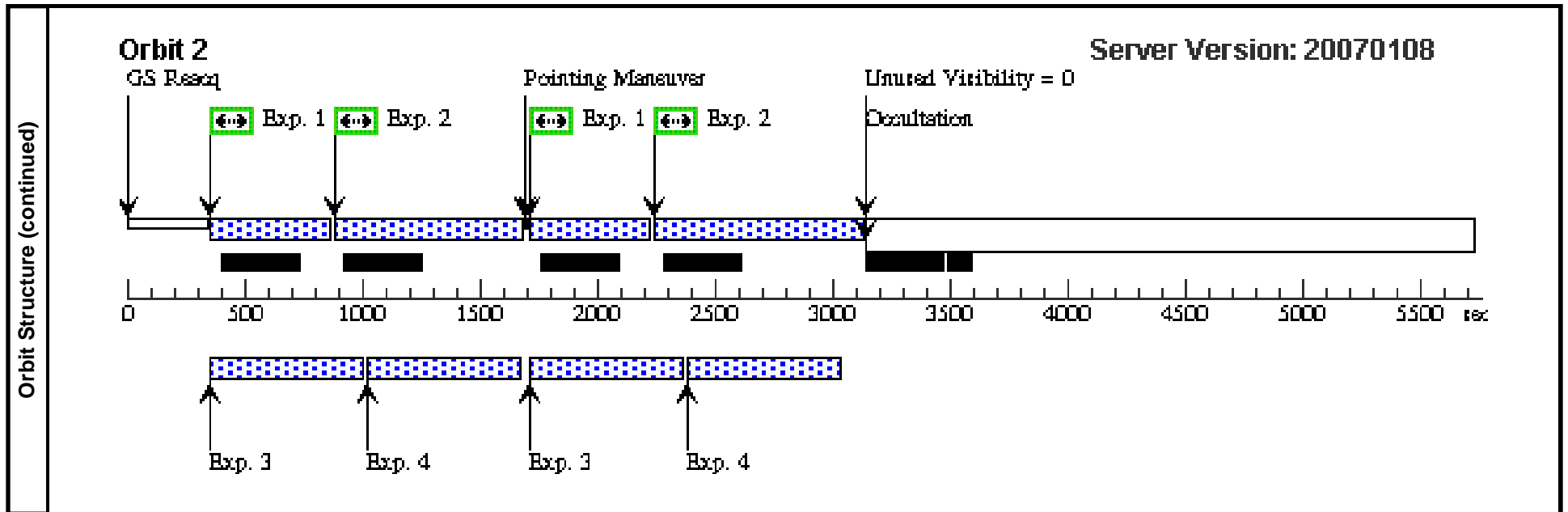


Proposal 10861 - Visit 53 - An ACS Treasury Survey of the Coma cluster of galaxies

Fri Jan 26 02:18:08 GMT 2007

Visit	Proposal 10861, Visit 53, scheduling Diagnostic Status: No Diagnostics Scientific Instruments: ACS/WFC, NIC3 Special Requirements: (none)									
	Patterns	#	Primary Pattern			Secondary Pattern			Exposures	
		(1)	Pattern Type=ACS-WFC-DITHER-LINE Purpose=DITHER Number Of Points=2 Point Spacing=3.011 Line Spacing=	Coordinate Frame=POS-TARG Pattern Orientation=85.3 Angle Between Sides= Center Pattern=false	Pattern Type=LINE Purpose=DITHER Number Of Points=2 Point Spacing=0.241 Line Spacing=	Coordinate Frame=POS-TARG Pattern Orientation=22.3 Angle Between Sides= Center Pattern=false	(1-4)			
Fixed Targets	#	Name	Target Coordinates	Targ. Coord. Corrections	Fluxes	Miscellaneous				
	(53)	COMA-OUTSKIRTS-11	RA: 12 57 55.2500 (194.4802083d) Dec: +27 13 55.70 (27.23214d) Equinox: J2000		V=22.0	Reference Frame: ICRS				
Exposures	#	Label	Target	Config,Mode,Aperture	Spectral Els.	Opt. Params.	Special Reqs.	Groups	Exp. Time/[Actual Dur.]	Orbit
	1	F814	(53) COMA-OUTSK IRTS-11	ACS/WFC, ACCUM, WFC	F814W	CR-SPLIT=NO		Pattern 1-4 (1) Prime + Parallel Group 1-4	350.0 Secs [==>(Pattern 1,1)] [==>(Pattern 1,2)] [==>(Pattern 2,1)] [==>(Pattern 2,2)]	[1] [2]
	2	F475	(53) COMA-OUTSK IRTS-11	ACS/WFC, ACCUM, WFC	F475W	CR-SPLIT=NO		Pattern 1-4 (1) Prime + Parallel Group 1-4	640.0 Secs [==>(Pattern 1,1)] [==>665.0 Secs (Pattern 1,2)] [==>(Pattern 2,1)] [==>732.0 Secs (Pattern 2,2)]	[1] [2]
	3	NICMOS H	ANY	NIC3, MULTIACCUM, NIC3	F160W	SAMP-SEQ=SPARS 128; NSAMP=7		Pattern 1-4 (1) Prime + Parallel Group 1-4	[==>(Pattern 1,1)] [==>(Pattern 1,2)] [==>(Pattern 2,1)] [==>(Pattern 2,2)]	[1] [2]
	4	NICMOS J	ANY	NIC3, MULTIACCUM, NIC3-FIX	F110W	SAMP-SEQ=SPARS 128; NSAMP=7		Pattern 1-4 (1) Prime + Parallel Group 1-4	[==>(Pattern 1,1)] [==>(Pattern 1,2)] [==>(Pattern 2,1)] [==>(Pattern 2,2)]	[1] [2]

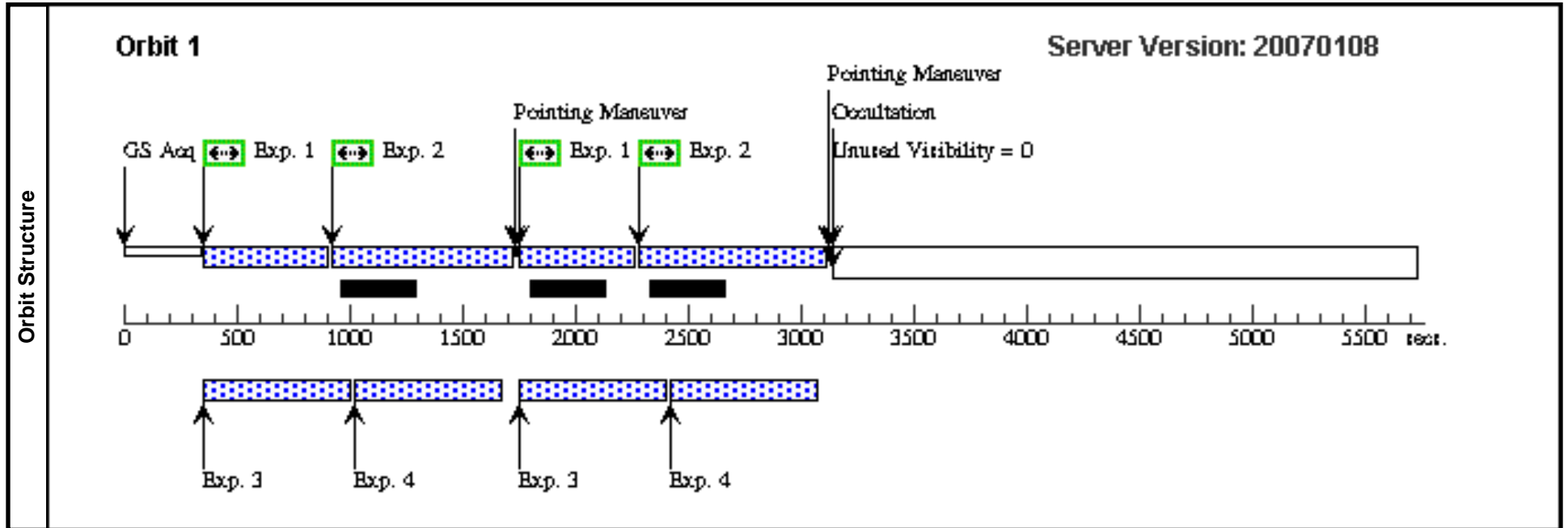


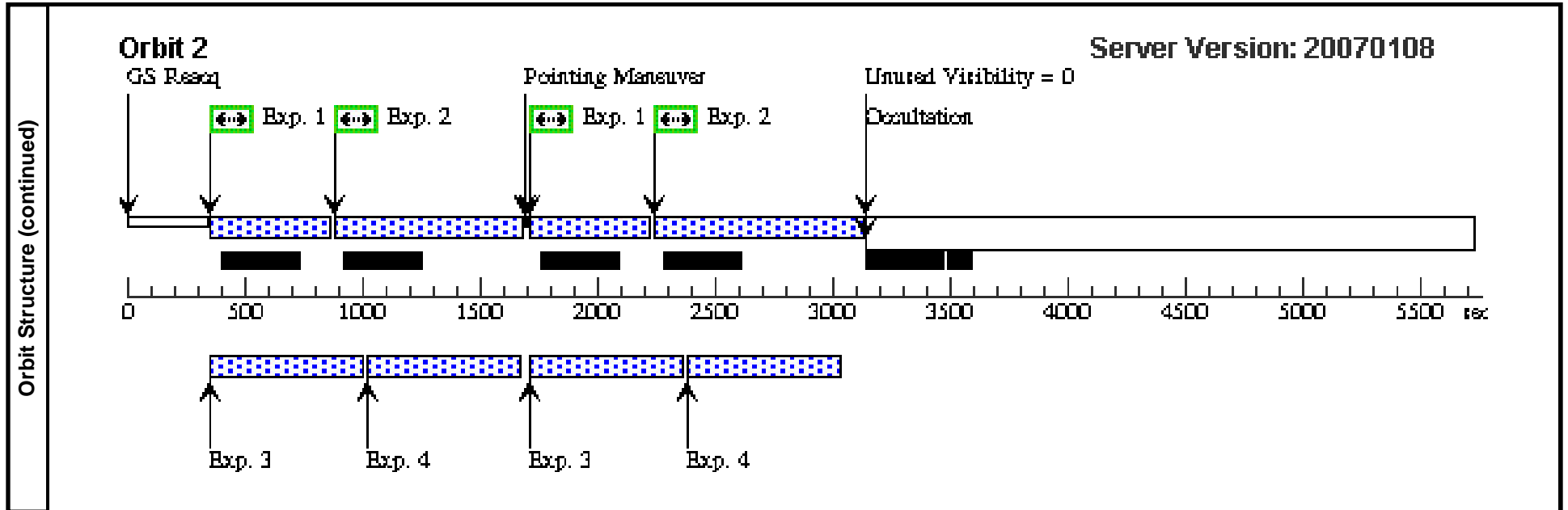


Proposal 10861 - Visit 54 - An ACS Treasury Survey of the Coma cluster of galaxies

Fri Jan 26 02:18:08 GMT 2007

Visit	Proposal 10861, Visit 54, implementation Diagnostic Status: No Diagnostics Scientific Instruments: ACS/WFC, NIC3 Special Requirements: ORIENT 215.0D TO 255.0 D									
	Patterns	#	Primary Pattern			Secondary Pattern			Exposures	
		(1)	Pattern Type=ACS-WFC-DITHER-LINE Purpose=DITHER Number Of Points=2 Point Spacing=3.011 Line Spacing=	Coordinate Frame=POS-TARG Pattern Orientation=85.3 Angle Between Sides= Center Pattern=false	Pattern Type=LINE Purpose=DITHER Number Of Points=2 Point Spacing=0.241 Line Spacing=	Coordinate Frame=POS-TARG Pattern Orientation=22.3 Angle Between Sides= Center Pattern=false	(1-4)			
Fixed Targets	#	Name	Target Coordinates	Targ. Coord. Corrections	Fluxes	Miscellaneous				
	(54)	COMA-OUTSKIRTS-12	RA: 12 56 37.8100 (194.1575417d) Dec: +27 33 8.40 (27.55233d) Equinox: J2000		V=22.0	Reference Frame: ICRS				
Exposures	#	Label	Target	Config,Mode,Aperture	Spectral Els.	Opt. Params.	Special Reqs.	Groups	Exp. Time/[Actual Dur.]	Orbit
	1	F814	(54) COMA-OUTSK IRTS-12	ACS/WFC, ACCUM, WFC	F814W	CR-SPLIT=NO		Pattern 1-4 (1) Prime + Parallel Group 1-4	350.0 Secs [==>(Pattern 1,1)] [==>(Pattern 1,2)] [==>(Pattern 2,1)] [==>(Pattern 2,2)]	[1] [2]
	2	F475	(54) COMA-OUTSK IRTS-12	ACS/WFC, ACCUM, WFC	F475W	CR-SPLIT=NO		Pattern 1-4 (1) Prime + Parallel Group 1-4	640.0 Secs [==>(Pattern 1,1)] [==>665.0 Secs (Pattern 1,2)] [==>(Pattern 2,1)] [==>732.0 Secs (Pattern 2,2)]	[1] [2]
	3	NICMOS H	ANY	NIC3, MULTIACCUM, NIC3	F160W	SAMP-SEQ=SPARS 128; NSAMP=7		Pattern 1-4 (1) Prime + Parallel Group 1-4	[==>(Pattern 1,1)] [==>(Pattern 1,2)] [==>(Pattern 2,1)] [==>(Pattern 2,2)]	[1] [2]
	4	NICMOS J	ANY	NIC3, MULTIACCUM, NIC3-FIX	F110W	SAMP-SEQ=SPARS 128; NSAMP=7		Pattern 1-4 (1) Prime + Parallel Group 1-4	[==>(Pattern 1,1)] [==>(Pattern 1,2)] [==>(Pattern 2,1)] [==>(Pattern 2,2)]	[1] [2]

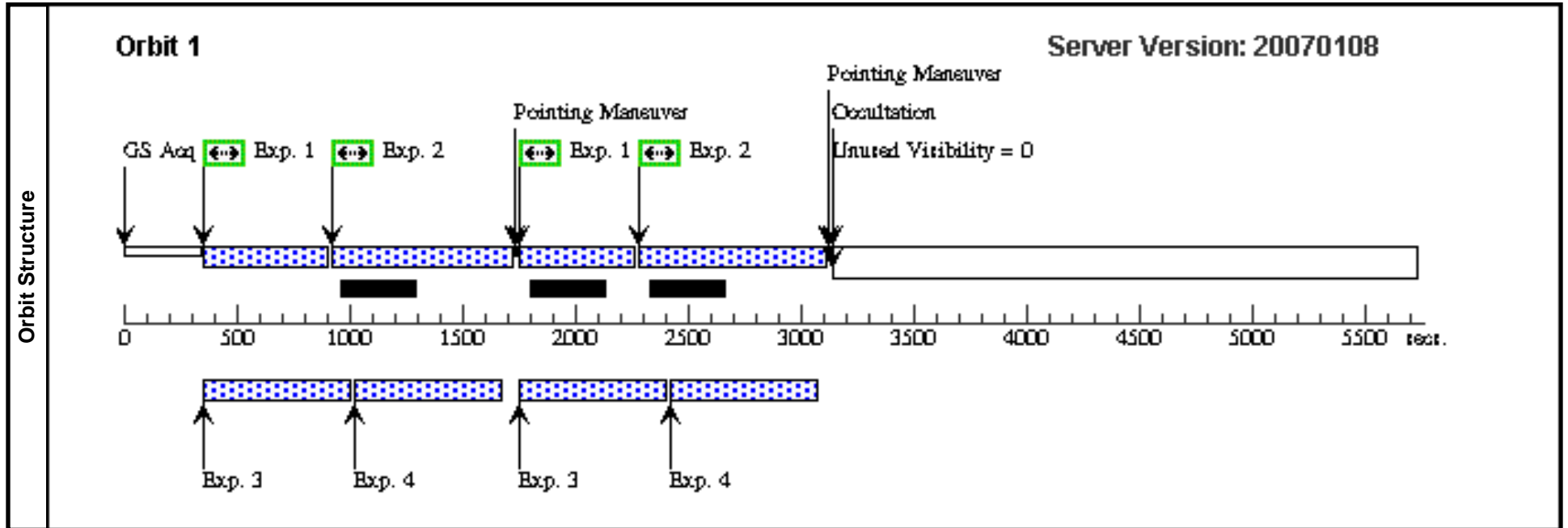


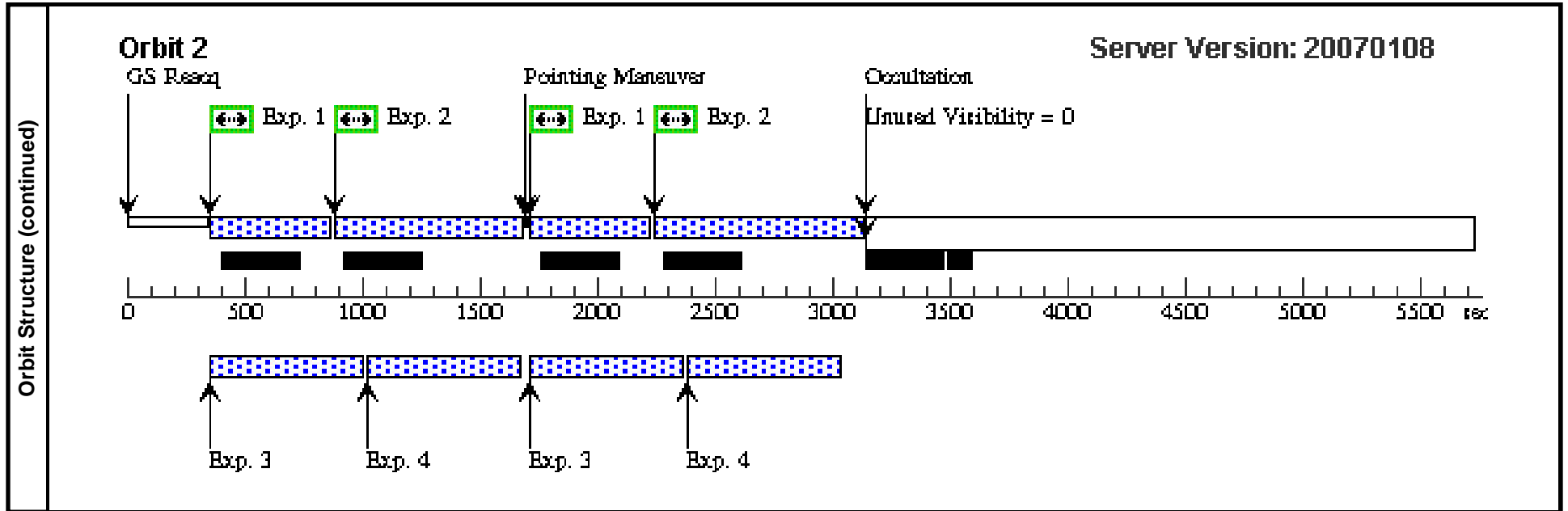


Proposal 10861 - Visit 55 - An ACS Treasury Survey of the Coma cluster of galaxies

Fri Jan 26 02:18:09 GMT 2007

Visit	Proposal 10861, Visit 55, failed Diagnostic Status: No Diagnostics Scientific Instruments: ACS/WFC, NIC3 Special Requirements: (none)									
	Patterns	#	Primary Pattern			Secondary Pattern			Exposures	
		(1)	Pattern Type=ACS-WFC-DITHER-LINE Purpose=DITHER Number Of Points=2 Point Spacing=3.011 Line Spacing=	Coordinate Frame=POS-TARG Pattern Orientation=85.3 Angle Between Sides= Center Pattern=false	Pattern Type=LINE Purpose=DITHER Number Of Points=2 Point Spacing=0.241 Line Spacing=	Coordinate Frame=POS-TARG Pattern Orientation=22.3 Angle Between Sides= Center Pattern=false	(1-4)			
Fixed Targets	#	Name	Target Coordinates	Targ. Coord. Corrections	Fluxes	Miscellaneous				
	(55)	COMA-OUTSKIRTS-13	RA: 12 57 4.2200 (194.2675833d) Dec: +27 31 34.50 (27.52625d) Equinox: J2000		V=22.0	Reference Frame: ICRS				
Exposures	#	Label	Target	Config,Mode,Aperture	Spectral Els.	Opt. Params.	Special Reqs.	Groups	Exp. Time/[Actual Dur.]	Orbit
	1	F814	(55) COMA-OUTSK IRTS-13	ACS/WFC, ACCUM, WFC	F814W	CR-SPLIT=NO		Pattern 1-4 (1) Prime + Parallel Group 1-4	350.0 Secs [==>(Pattern 1,1)] [==>(Pattern 1,2)] [==>(Pattern 2,1)] [==>(Pattern 2,2)]	[1] [2]
	2	F475	(55) COMA-OUTSK IRTS-13	ACS/WFC, ACCUM, WFC	F475W	CR-SPLIT=NO		Pattern 1-4 (1) Prime + Parallel Group 1-4	640.0 Secs [==>(Pattern 1,1)] [==>665.0 Secs (Pattern 1,2)] [==>(Pattern 2,1)] [==>732.0 Secs (Pattern 2,2)]	[1] [2]
	3	NICMOS H	ANY	NIC3, MULTIACCUM, NIC3	F160W	SAMP-SEQ=SPARS 128; NSAMP=7		Pattern 1-4 (1) Prime + Parallel Group 1-4	[==>(Pattern 1,1)] [==>(Pattern 1,2)] [==>(Pattern 2,1)] [==>(Pattern 2,2)]	[1] [2]
	4	NICMOS J	ANY	NIC3, MULTIACCUM, NIC3-FIX	F110W	SAMP-SEQ=SPARS 128; NSAMP=7		Pattern 1-4 (1) Prime + Parallel Group 1-4	[==>(Pattern 1,1)] [==>(Pattern 1,2)] [==>(Pattern 2,1)] [==>(Pattern 2,2)]	[1] [2]

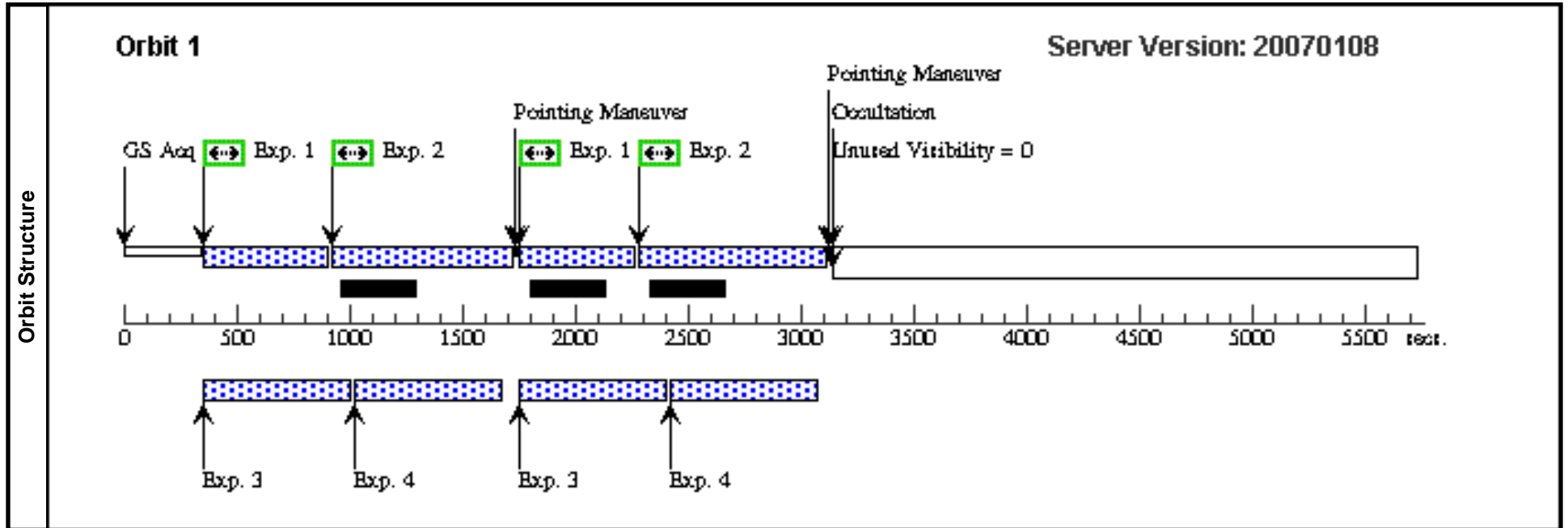


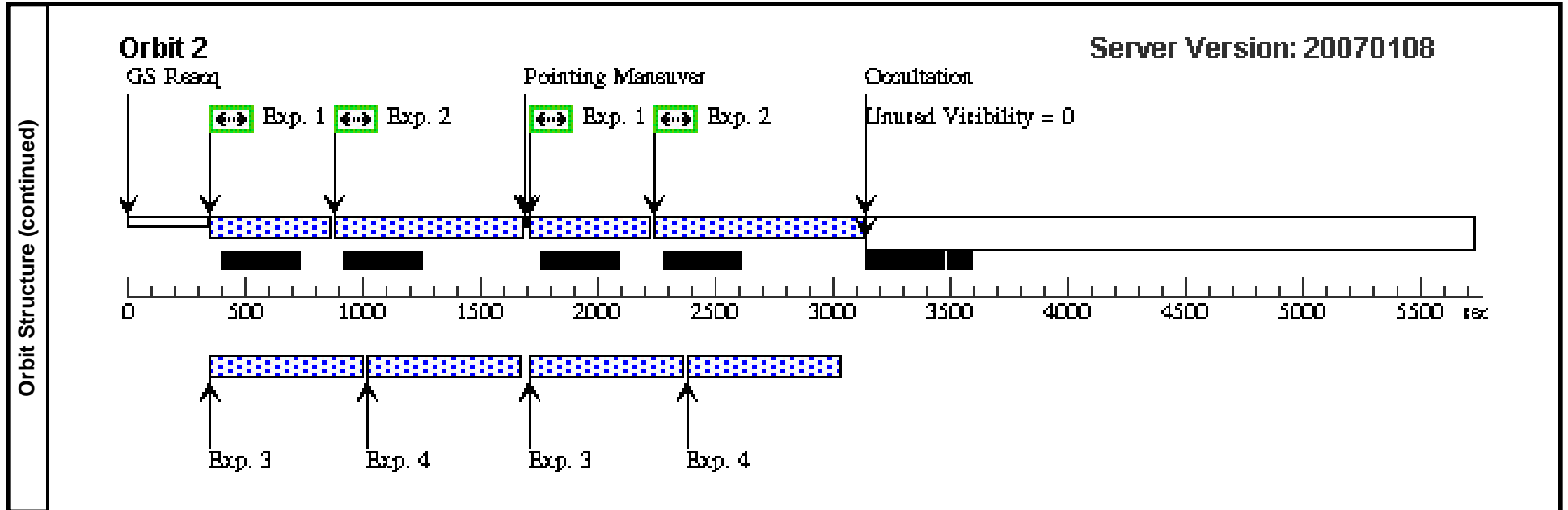


Proposal 10861 - Visit 56 - An ACS Treasury Survey of the Coma cluster of galaxies

Fri Jan 26 02:18:09 GMT 2007

Visit	Proposal 10861, Visit 56, scheduling Diagnostic Status: No Diagnostics Scientific Instruments: ACS/WFC, NIC3 Special Requirements: ORIENT 220.0D TO 323.0 D									
	Patterns	#	Primary Pattern			Secondary Pattern			Exposures	
		(1)	Pattern Type=ACS-WFC-DITHER-LINE Purpose=DITHER Number Of Points=2 Point Spacing=3.011 Line Spacing=	Coordinate Frame=POS-TARG Pattern Orientation=85.3 Angle Between Sides= Center Pattern=false	Pattern Type=LINE Purpose=DITHER Number Of Points=2 Point Spacing=0.241 Line Spacing=	Coordinate Frame=POS-TARG Pattern Orientation=22.3 Angle Between Sides= Center Pattern=false	(1-4)			
Fixed Targets	#	Name	Target Coordinates	Targ. Coord. Corrections	Fluxes	Miscellaneous				
	(56)	COMA-OUTSKIRTS-14	RA: 12 57 26.4000 (194.3600000d) Dec: +27 32 54.40 (27.54844d) Equinox: J2000		V=22.0	Reference Frame: ICRS				
Exposures	#	Label	Target	Config,Mode,Aperture	Spectral Els.	Opt. Params.	Special Reqs.	Groups	Exp. Time/[Actual Dur.]	Orbit
	1	F814	(56) COMA-OUTSK IRTS-14	ACS/WFC, ACCUM, WFC	F814W	CR-SPLIT=NO		Pattern 1-4 (1) Prime + Parallel Group 1-4	350.0 Secs [==>(Pattern 1,1)] [==>(Pattern 1,2)] [==>(Pattern 2,1)] [==>(Pattern 2,2)]	[1] [2]
	2	F475	(56) COMA-OUTSK IRTS-14	ACS/WFC, ACCUM, WFC	F475W	CR-SPLIT=NO		Pattern 1-4 (1) Prime + Parallel Group 1-4	640.0 Secs [==>(Pattern 1,1)] [==>665.0 Secs (Pattern 1,2)] [==>(Pattern 2,1)] [==>732.0 Secs (Pattern 2,2)]	[1] [2]
	3	NICMOS H	ANY	NIC3, MULTIACCUM, NIC3	F160W	SAMP-SEQ=SPARS 128; NSAMP=7		Pattern 1-4 (1) Prime + Parallel Group 1-4	[==>(Pattern 1,1)] [==>(Pattern 1,2)] [==>(Pattern 2,1)] [==>(Pattern 2,2)]	[1] [2]
	4	NICMOS J	ANY	NIC3, MULTIACCUM, NIC3-FIX	F110W	SAMP-SEQ=SPARS 128; NSAMP=7		Pattern 1-4 (1) Prime + Parallel Group 1-4	[==>(Pattern 1,1)] [==>(Pattern 1,2)] [==>(Pattern 2,1)] [==>(Pattern 2,2)]	[1] [2]

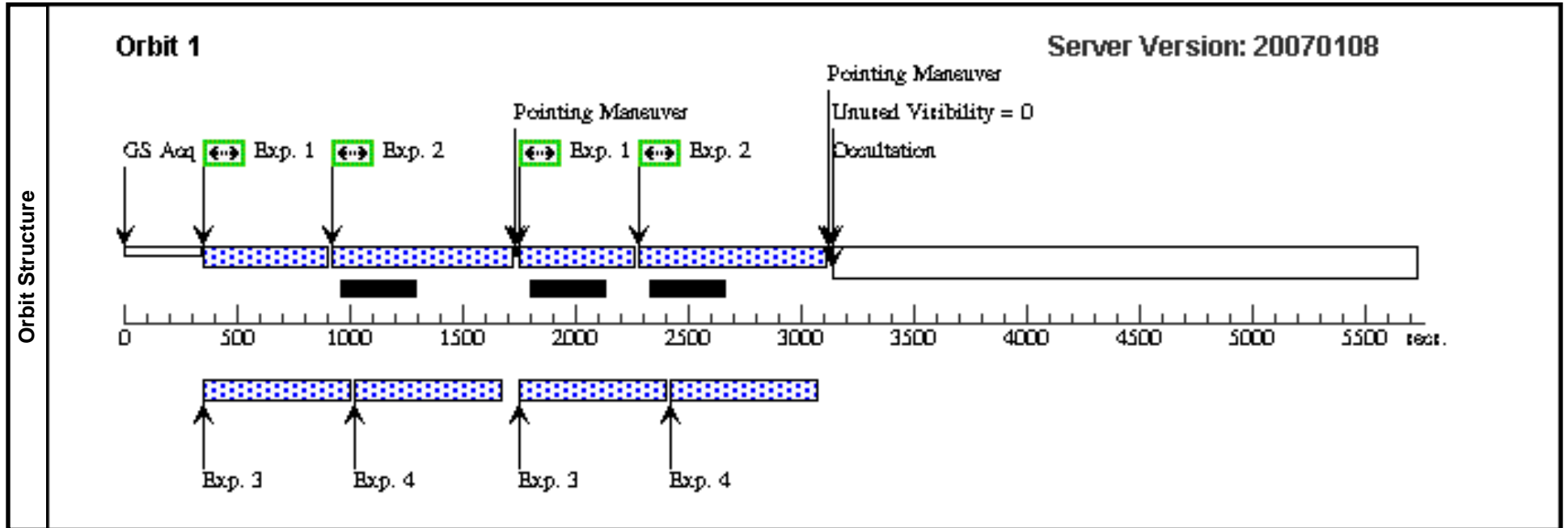


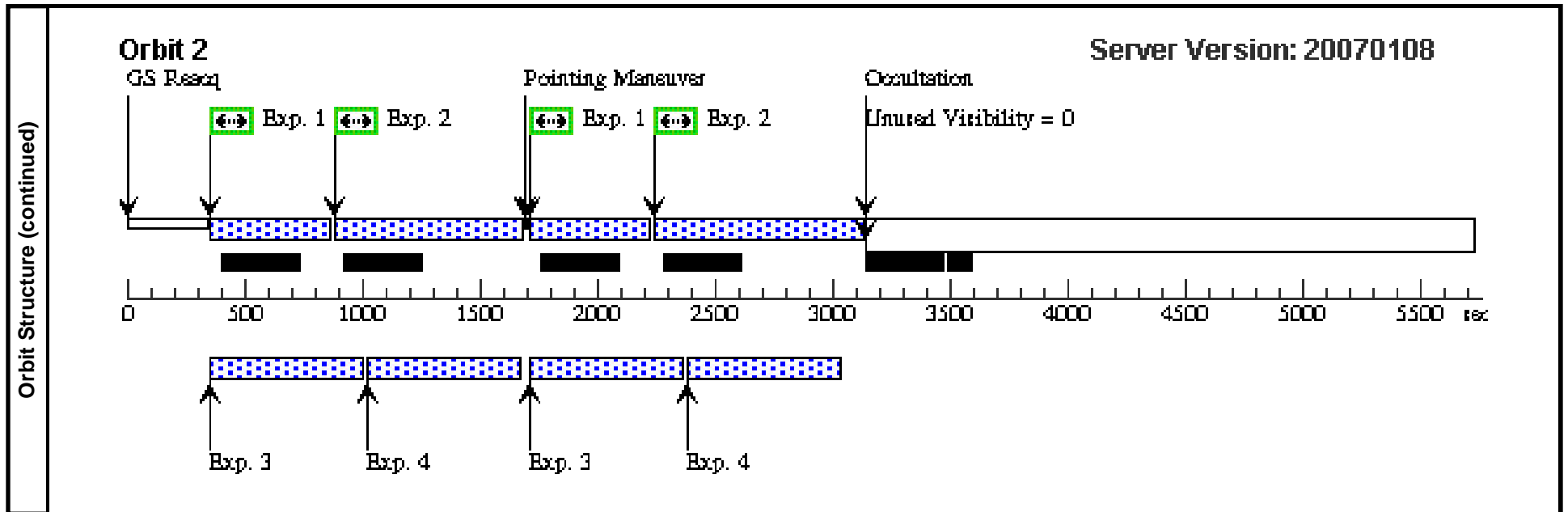


Proposal 10861 - Visit 57 - An ACS Treasury Survey of the Coma cluster of galaxies

Fri Jan 26 02:18:09 GMT 2007

Visit	Proposal 10861, Visit 57, scheduling Diagnostic Status: No Diagnostics Scientific Instruments: ACS/WFC, NIC3 Special Requirements: ORIENT 250.0D TO 260.0 D									
	Patterns	#	Primary Pattern			Secondary Pattern			Exposures	
		(1)	Pattern Type=ACS-WFC-DITHER-LINE Purpose=DITHER Number Of Points=2 Point Spacing=3.011 Line Spacing=	Coordinate Frame=POS-TARG Pattern Orientation=85.3 Angle Between Sides= Center Pattern=false	Pattern Type=LINE Purpose=DITHER Number Of Points=2 Point Spacing=0.241 Line Spacing=	Coordinate Frame=POS-TARG Pattern Orientation=22.3 Angle Between Sides= Center Pattern=false	(1-4)			
Fixed Targets	#	Name	Target Coordinates	Targ. Coord. Corrections	Fluxes	Miscellaneous				
	(57)	COMA-OUTSKIRTS-15	RA: 12 58 2.0800 (194.5086667d) Dec: +27 33 54.00 (27.56500d) Equinox: J2000		V=22.0	Reference Frame: ICRS				
Exposures	#	Label	Target	Config,Mode,Aperture	Spectral Els.	Opt. Params.	Special Reqs.	Groups	Exp. Time/[Actual Dur.]	Orbit
	1	F814	(57) COMA-OUTSK IRTS-15	ACS/WFC, ACCUM, WFC	F814W	CR-SPLIT=NO		Pattern 1-4 (1) Prime + Parallel Group 1-4	350.0 Secs [==>(Pattern 1,1)] [==>(Pattern 1,2)] [==>(Pattern 2,1)] [==>(Pattern 2,2)]	[1] [2]
	2	F475	(57) COMA-OUTSK IRTS-15	ACS/WFC, ACCUM, WFC	F475W	CR-SPLIT=NO		Pattern 1-4 (1) Prime + Parallel Group 1-4	640.0 Secs [==>(Pattern 1,1)] [==>665.0 Secs (Pattern 1,2)] [==>(Pattern 2,1)] [==>732.0 Secs (Pattern 2,2)]	[1] [2]
	3	NICMOS H	ANY	NIC3, MULTIACCUM, NIC3	F160W	SAMP-SEQ=SPARS 128; NSAMP=7		Pattern 1-4 (1) Prime + Parallel Group 1-4	[==>(Pattern 1,1)] [==>(Pattern 1,2)] [==>(Pattern 2,1)] [==>(Pattern 2,2)]	[1] [2]
	4	NICMOS J	ANY	NIC3, MULTIACCUM, NIC3-FIX	F110W	SAMP-SEQ=SPARS 128; NSAMP=7		Pattern 1-4 (1) Prime + Parallel Group 1-4	[==>(Pattern 1,1)] [==>(Pattern 1,2)] [==>(Pattern 2,1)] [==>(Pattern 2,2)]	[1] [2]

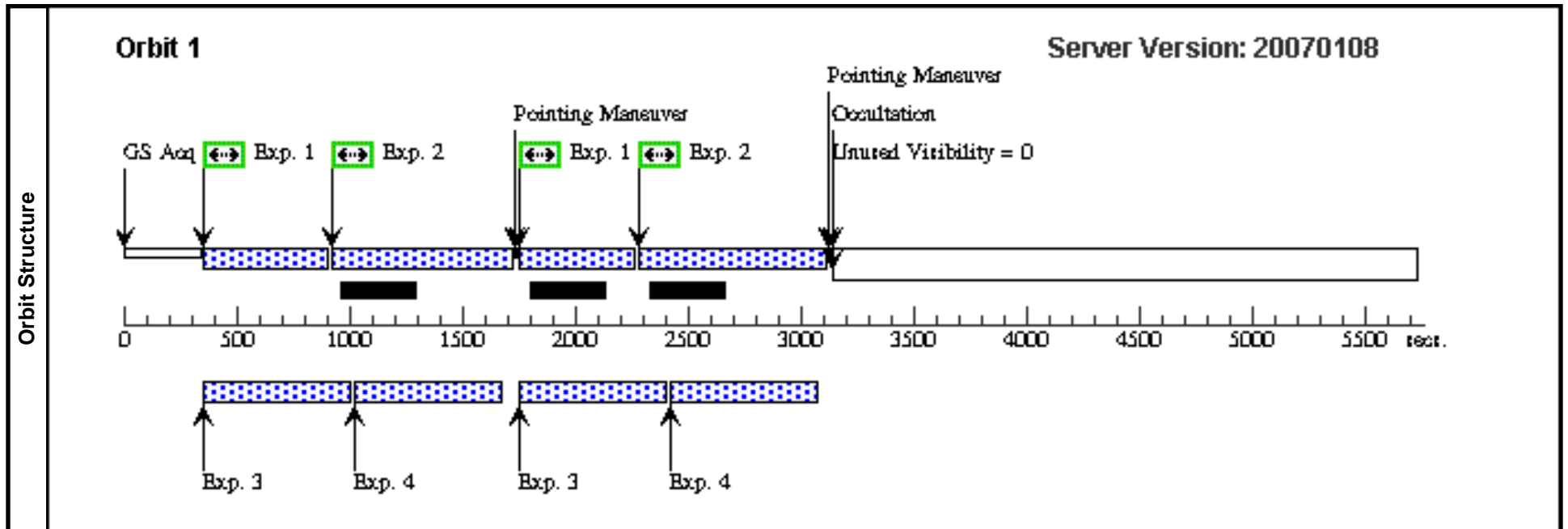


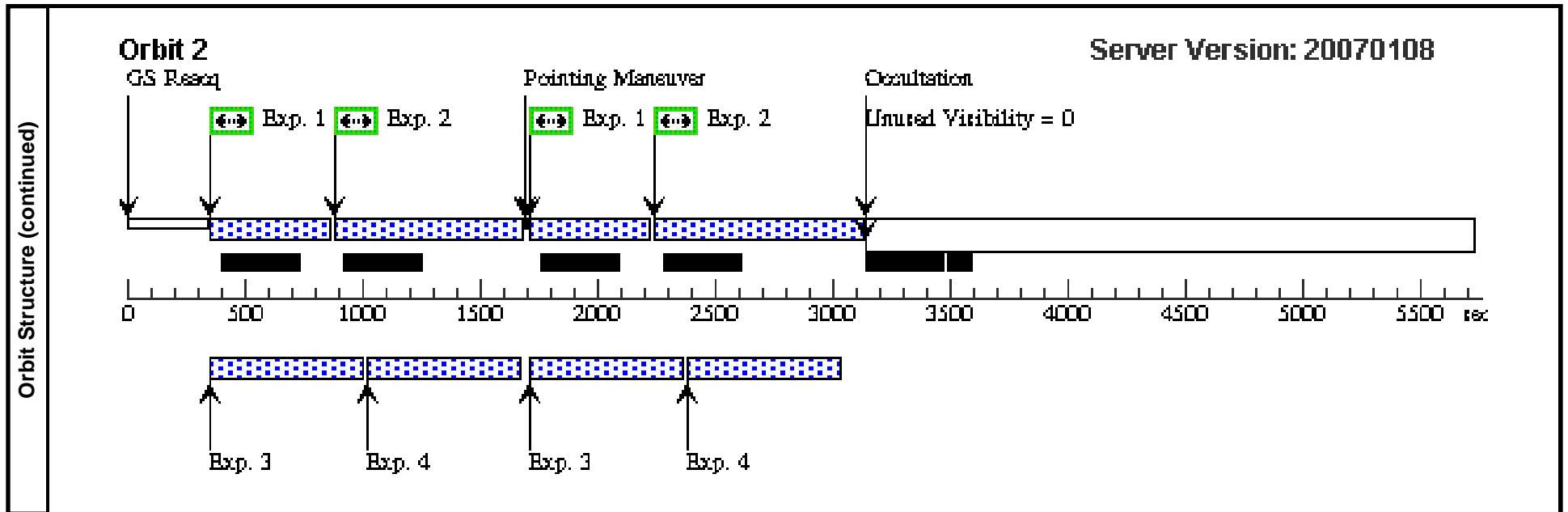


Proposal 10861 - Visit 58 - An ACS Treasury Survey of the Coma cluster of galaxies

Fri Jan 26 02:18:10 GMT 2007

Visit	Proposal 10861, Visit 58, scheduling Diagnostic Status: No Diagnostics Scientific Instruments: ACS/WFC, NIC3 Special Requirements: ORIENT 220.0D TO 225.0 D									
	Patterns	#	Primary Pattern			Secondary Pattern			Exposures	
		(1)	Pattern Type=ACS-WFC-DITHER-LINE Purpose=DITHER Number Of Points=2 Point Spacing=3.011 Line Spacing=	Coordinate Frame=POS-TARG Pattern Orientation=85.3 Angle Between Sides= Center Pattern=false	Pattern Type=LINE Purpose=DITHER Number Of Points=2 Point Spacing=0.241 Line Spacing=	Coordinate Frame=POS-TARG Pattern Orientation=22.3 Angle Between Sides= Center Pattern=false	(1-4)			
Fixed Targets	#	Name	Target Coordinates	Targ. Coord. Corrections	Fluxes	Miscellaneous				
	(58)	COMA-OUTSKIRTS-16	RA: 12 58 34.5900 (194.6441250d) Dec: +27 33 43.30 (27.56203d) Equinox: J2000		V=22.0	Reference Frame: ICRS				
Exposures	#	Label	Target	Config,Mode,Aperture	Spectral Els.	Opt. Params.	Special Reqs.	Groups	Exp. Time/[Actual Dur.]	Orbit
	1	F814	(58) COMA-OUTSK IRTS-16	ACS/WFC, ACCUM, WFC	F814W	CR-SPLIT=NO		Pattern 1-4 (1) Prime + Parallel Group 1-4	350.0 Secs [==>(Pattern 1,1)] [==>(Pattern 1,2)] [==>(Pattern 2,1)] [==>(Pattern 2,2)]	[1] [2]
	2	F475	(58) COMA-OUTSK IRTS-16	ACS/WFC, ACCUM, WFC	F475W	CR-SPLIT=NO		Pattern 1-4 (1) Prime + Parallel Group 1-4	640.0 Secs [==>(Pattern 1,1)] [==>665.0 Secs (Pattern 1,2)] [==>(Pattern 2,1)] [==>732.0 Secs (Pattern 2,2)]	[1] [2]
	3	NICMOS H	ANY	NIC3, MULTIACCUM, NIC3	F160W	SAMP-SEQ=SPARS 128; NSAMP=7		Pattern 1-4 (1) Prime + Parallel Group 1-4	[==>(Pattern 1,1)] [==>(Pattern 1,2)] [==>(Pattern 2,1)] [==>(Pattern 2,2)]	[1] [2]
	4	NICMOS J	ANY	NIC3, MULTIACCUM, NIC3-FIX	F110W	SAMP-SEQ=SPARS 128; NSAMP=7		Pattern 1-4 (1) Prime + Parallel Group 1-4	[==>(Pattern 1,1)] [==>(Pattern 1,2)] [==>(Pattern 2,1)] [==>(Pattern 2,2)]	[1] [2]

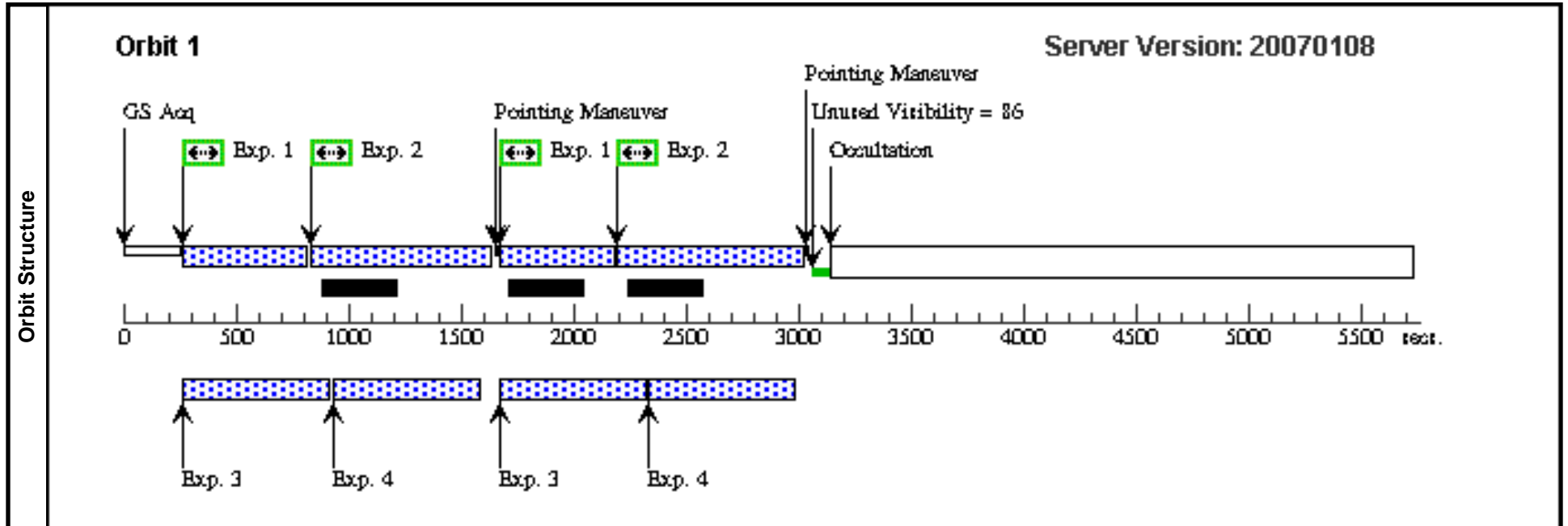


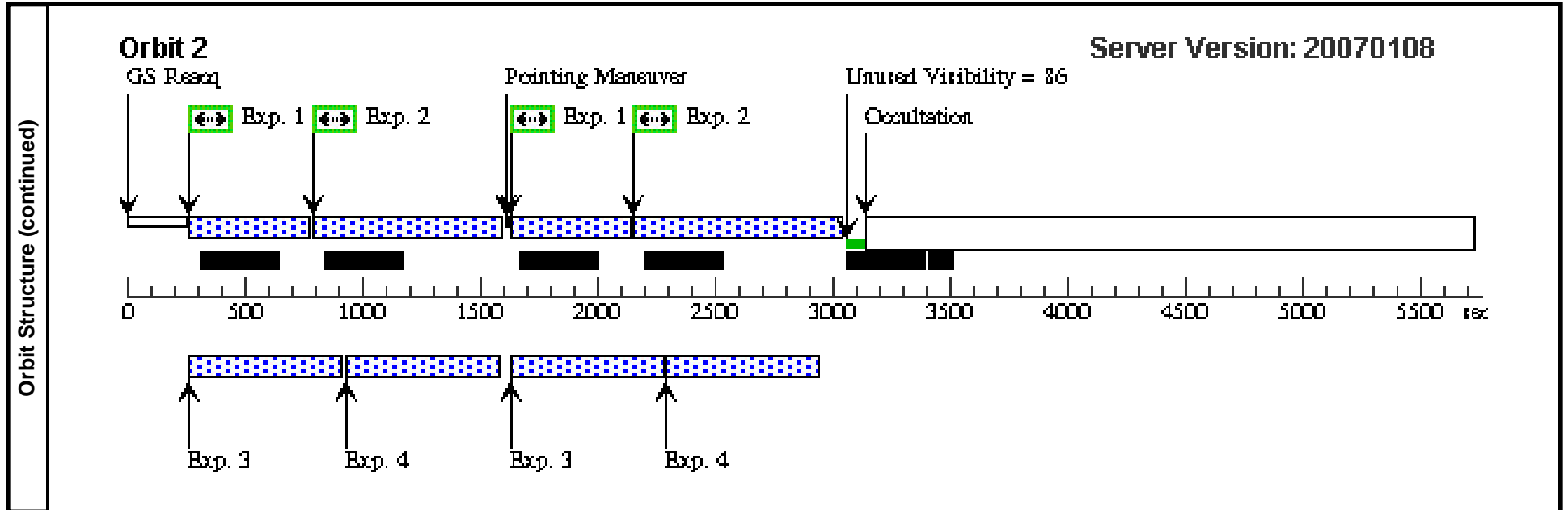


Proposal 10861 - Visit 59 - An ACS Treasury Survey of the Coma cluster of galaxies

Fri Jan 26 02:18:10 GMT 2007

Visit	Proposal 10861, Visit 59, completed Diagnostic Status: No Diagnostics Scientific Instruments: ACS/WFC, NIC3 Special Requirements: ORIENT 270.0D TO 288.0 D									
	Patterns	#	Primary Pattern			Secondary Pattern			Exposures	
		(1)	Pattern Type=ACS-WFC-DITHER-LINE Purpose=DITHER Number Of Points=2 Point Spacing=3.011 Line Spacing=	Coordinate Frame=POS-TARG Pattern Orientation=85.3 Angle Between Sides= Center Pattern=false	Pattern Type=LINE Purpose=DITHER Number Of Points=2 Point Spacing=0.241 Line Spacing=	Coordinate Frame=POS-TARG Pattern Orientation=22.3 Angle Between Sides= Center Pattern=false	(1-4)			
Fixed Targets	#	Name	Target Coordinates	Targ. Coord. Corrections	Fluxes	Miscellaneous				
	(59)	COMA-OUTSKIRTS-17	RA: 12 58 31.1500 (194.6297917d) Dec: +27 11 58.50 (27.19958d) Equinox: J2000		V=22.0	Reference Frame: ICRS				
Exposures	#	Label	Target	Config,Mode,Aperture	Spectral Els.	Opt. Params.	Special Reqs.	Groups	Exp. Time/[Actual Dur.]	Orbit
	1	F814	(59) COMA-OUTSK IRTS-17	ACS/WFC, ACCUM, WFC	F814W	CR-SPLIT=NO	GS ACQ SCENARI O SINGLE	Pattern 1-4 (1) Prime + Parallel Gro up 1-4	350.0 Secs [==>(Pattern 1,1)] [==>(Pattern 1,2)] [==>(Pattern 2,1)] [==>(Pattern 2,2)]	[1] [2]
	2	F475	(59) COMA-OUTSK IRTS-17	ACS/WFC, ACCUM, WFC	F475W	CR-SPLIT=NO		Pattern 1-4 (1) Prime + Parallel Gro up 1-4	640.0 Secs [==>(Pattern 1,1)] [==>665.0 Secs (Pattern 1,2)] [==>(Pattern 2,1)] [==>732.0 Secs (Pattern 2,2)]	[1] [2]
	3	NICMOS H	ANY	NIC3, MULTIACCUM, NIC3	F160W	SAMP-SEQ=SPARS 128; NSAMP=7		Pattern 1-4 (1) Prime + Parallel Gro up 1-4	[==>(Pattern 1,1)] [==>(Pattern 1,2)] [==>(Pattern 2,1)] [==>(Pattern 2,2)]	[1] [2]
	4	NICMOS J	ANY	NIC3, MULTIACCUM, NIC3-FIX	F110W	SAMP-SEQ=SPARS 128; NSAMP=7		Pattern 1-4 (1) Prime + Parallel Gro up 1-4	[==>(Pattern 1,1)] [==>(Pattern 1,2)] [==>(Pattern 2,1)] [==>(Pattern 2,2)]	[1] [2]

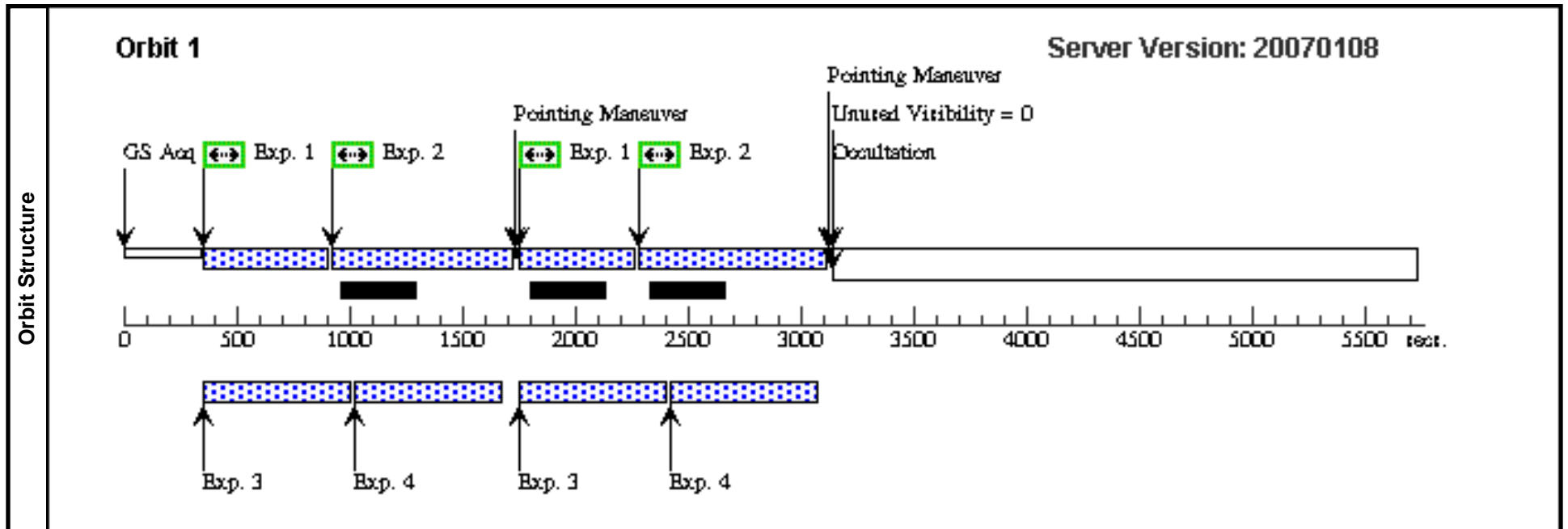


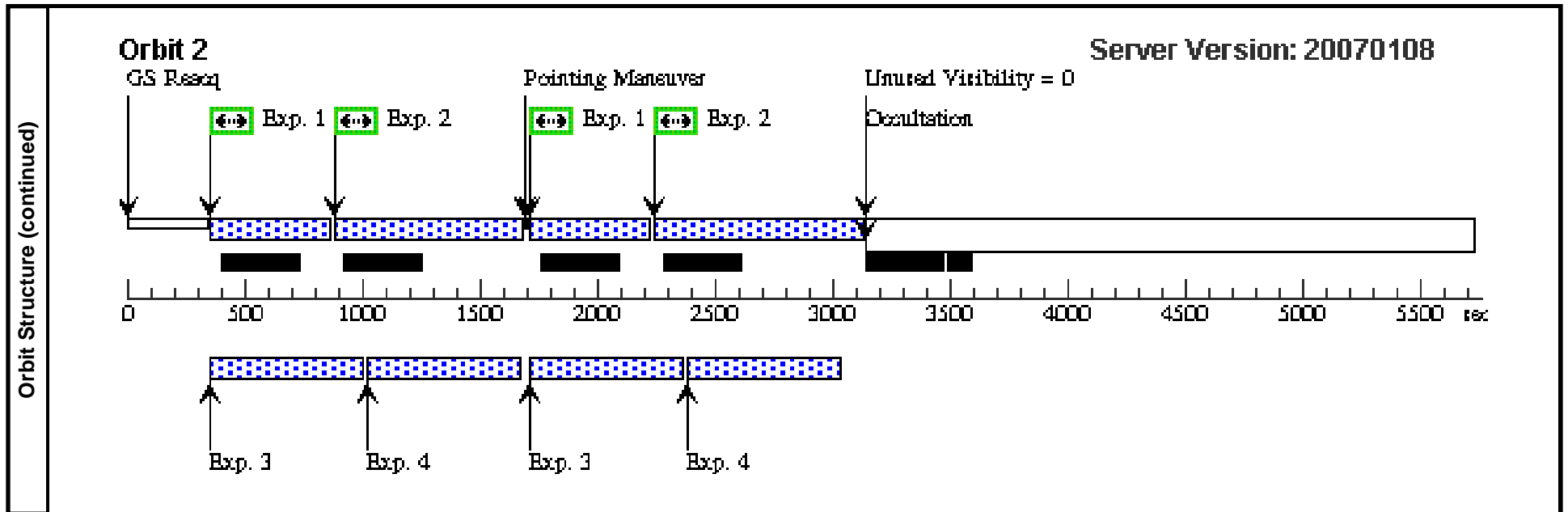


Proposal 10861 - Visit 60 - An ACS Treasury Survey of the Coma cluster of galaxies

Fri Jan 26 02:18:11 GMT 2007

Visit	Proposal 10861, Visit 60, scheduling Diagnostic Status: No Diagnostics Scientific Instruments: ACS/WFC, NIC3 Special Requirements: (none)									
	Patterns	#	Primary Pattern			Secondary Pattern			Exposures	
		(1)	Pattern Type=ACS-WFC-DITHER-LINE Purpose=DITHER Number Of Points=2 Point Spacing=3.011 Line Spacing=	Coordinate Frame=POS-TARG Pattern Orientation=85.3 Angle Between Sides= Center Pattern=false	Pattern Type=LINE Purpose=DITHER Number Of Points=2 Point Spacing=0.241 Line Spacing=	Coordinate Frame=POS-TARG Pattern Orientation=22.3 Angle Between Sides= Center Pattern=false	(1-4)			
Fixed Targets	#	Name	Target Coordinates	Targ. Coord. Corrections	Fluxes	Miscellaneous				
	(60)	COMA-OUTSKIRTS-18	RA: 12 58 15.5500 (194.5647917d) Dec: +27 05 15.10 (27.08753d) Equinox: J2000		V=22.0	Reference Frame: ICRS				
Exposures	#	Label	Target	Config,Mode,Aperture	Spectral Els.	Opt. Params.	Special Reqs.	Groups	Exp. Time/[Actual Dur.]	Orbit
	1	F814	(60) COMA-OUTSK IRTS-18	ACS/WFC, ACCUM, WFC	F814W	CR-SPLIT=NO		Pattern 1-4 (1) Prime + Parallel Group 1-4	350.0 Secs [==>(Pattern 1,1)] [==>(Pattern 1,2)] [==>(Pattern 2,1)] [==>(Pattern 2,2)]	[1] [2]
	2	F475	(60) COMA-OUTSK IRTS-18	ACS/WFC, ACCUM, WFC	F475W	CR-SPLIT=NO		Pattern 1-4 (1) Prime + Parallel Group 1-4	640.0 Secs [==>(Pattern 1,1)] [==>665.0 Secs (Pattern 1,2)] [==>(Pattern 2,1)] [==>732.0 Secs (Pattern 2,2)]	[1] [2]
	3	NICMOS H	ANY	NIC3, MULTIACCUM, NIC3	F160W	SAMP-SEQ=SPARS 128; NSAMP=7		Pattern 1-4 (1) Prime + Parallel Group 1-4	[==>(Pattern 1,1)] [==>(Pattern 1,2)] [==>(Pattern 2,1)] [==>(Pattern 2,2)]	[1] [2]
	4	NICMOS J	ANY	NIC3, MULTIACCUM, NIC3-FIX	F110W	SAMP-SEQ=SPARS 128; NSAMP=7		Pattern 1-4 (1) Prime + Parallel Group 1-4	[==>(Pattern 1,1)] [==>(Pattern 1,2)] [==>(Pattern 2,1)] [==>(Pattern 2,2)]	[1] [2]

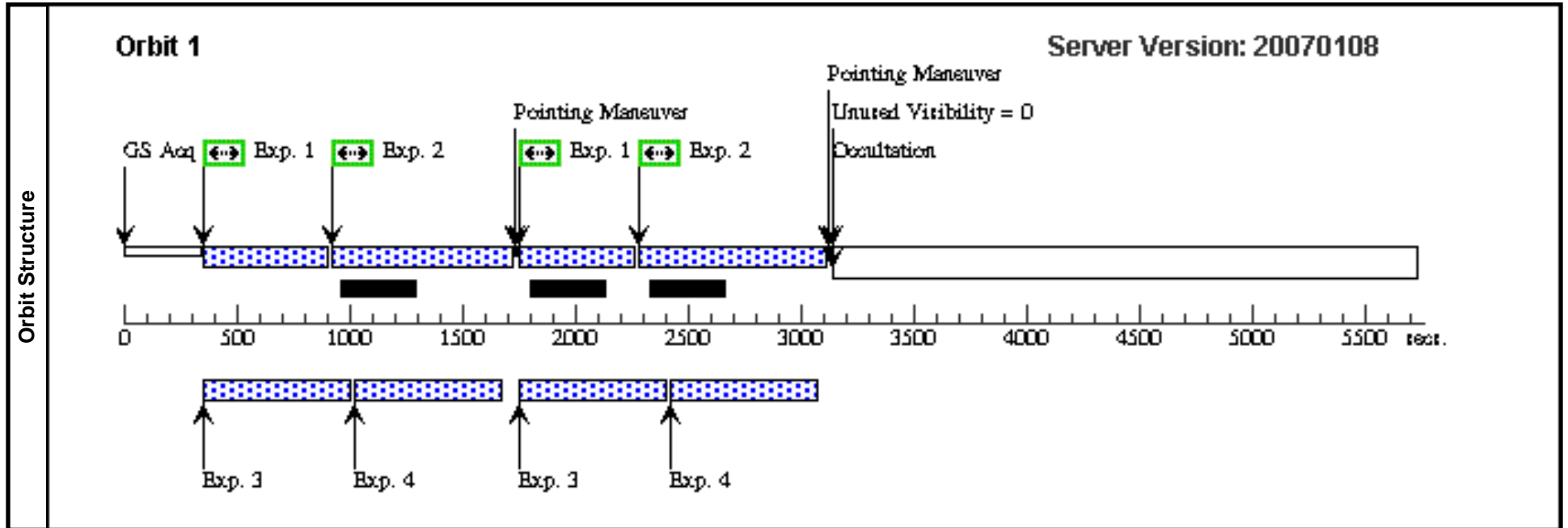


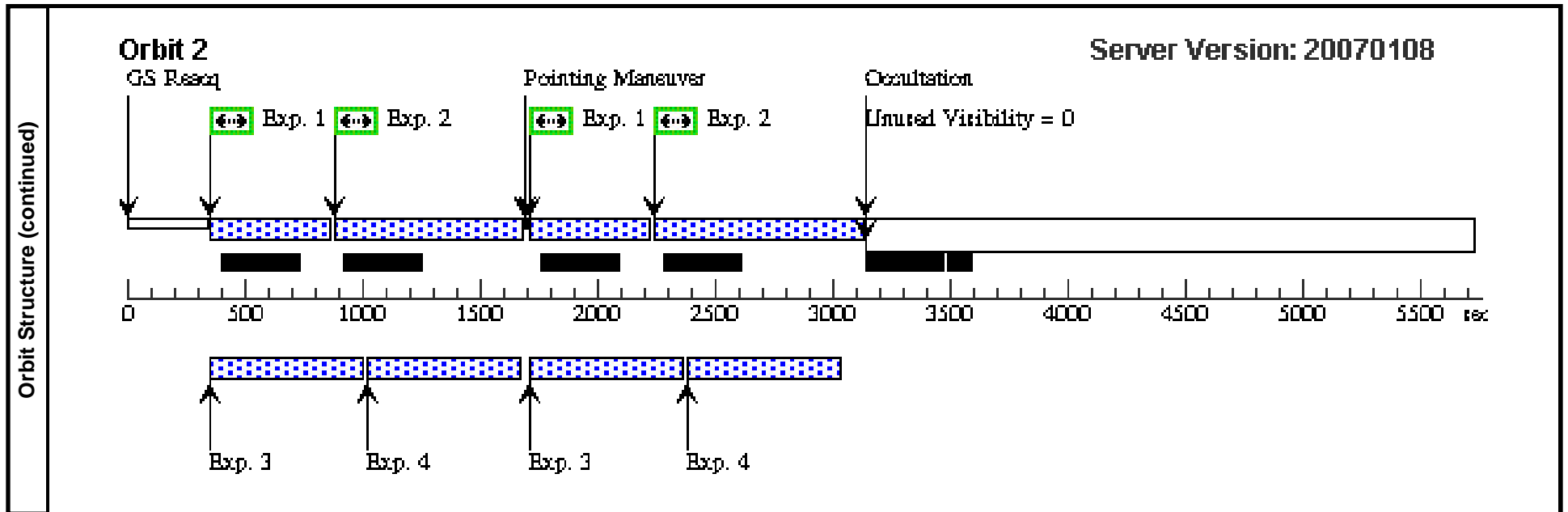


Proposal 10861 - Visit 61 - An ACS Treasury Survey of the Coma cluster of galaxies

Fri Jan 26 02:18:11 GMT 2007

Visit	Proposal 10861, Visit 61, scheduling Diagnostic Status: No Diagnostics Scientific Instruments: ACS/WFC, NIC3 Special Requirements: ORIENT 265.0D TO 323.0 D									
	Patterns	#	Primary Pattern			Secondary Pattern			Exposures	
		(1)	Pattern Type=ACS-WFC-DITHER-LINE Purpose=DITHER Number Of Points=2 Point Spacing=3.011 Line Spacing=	Coordinate Frame=POS-TARG Pattern Orientation=85.3 Angle Between Sides= Center Pattern=false	Pattern Type=LINE Purpose=DITHER Number Of Points=2 Point Spacing=0.241 Line Spacing=	Coordinate Frame=POS-TARG Pattern Orientation=22.3 Angle Between Sides= Center Pattern=false	(1-4)			
Fixed Targets	#	Name	Target Coordinates	Targ. Coord. Corrections	Fluxes	Miscellaneous				
	(61)	COMA-OUTSKIRTS-19	RA: 12 58 48.7200 (194.7030000d) Dec: +28 00 52.80 (28.01467d) Equinox: J2000		V=22.0	Reference Frame: ICRS				
Exposures	#	Label	Target	Config,Mode,Aperture	Spectral Els.	Opt. Params.	Special Reqs.	Groups	Exp. Time/[Actual Dur.]	Orbit
	1	F814	(61) COMA-OUTSK IRTS-19	ACS/WFC, ACCUM, WFC	F814W	CR-SPLIT=NO		Pattern 1-4 (1) Prime + Parallel Group 1-4	350.0 Secs [==>(Pattern 1,1)] [==>(Pattern 1,2)] [==>(Pattern 2,1)] [==>(Pattern 2,2)]	[1] [2]
	2	F475	(61) COMA-OUTSK IRTS-19	ACS/WFC, ACCUM, WFC	F475W	CR-SPLIT=NO		Pattern 1-4 (1) Prime + Parallel Group 1-4	640.0 Secs [==>(Pattern 1,1)] [==>665.0 Secs (Pattern 1,2)] [==>(Pattern 2,1)] [==>732.0 Secs (Pattern 2,2)]	[1] [2]
	3	NICMOS H	ANY	NIC3, MULTIACCUM, NIC3	F160W	SAMP-SEQ=SPARS 128; NSAMP=7		Pattern 1-4 (1) Prime + Parallel Group 1-4	[==>(Pattern 1,1)] [==>(Pattern 1,2)] [==>(Pattern 2,1)] [==>(Pattern 2,2)]	[1] [2]
	4	NICMOS J	ANY	NIC3, MULTIACCUM, NIC3-FIX	F110W	SAMP-SEQ=SPARS 128; NSAMP=7		Pattern 1-4 (1) Prime + Parallel Group 1-4	[==>(Pattern 1,1)] [==>(Pattern 1,2)] [==>(Pattern 2,1)] [==>(Pattern 2,2)]	[1] [2]

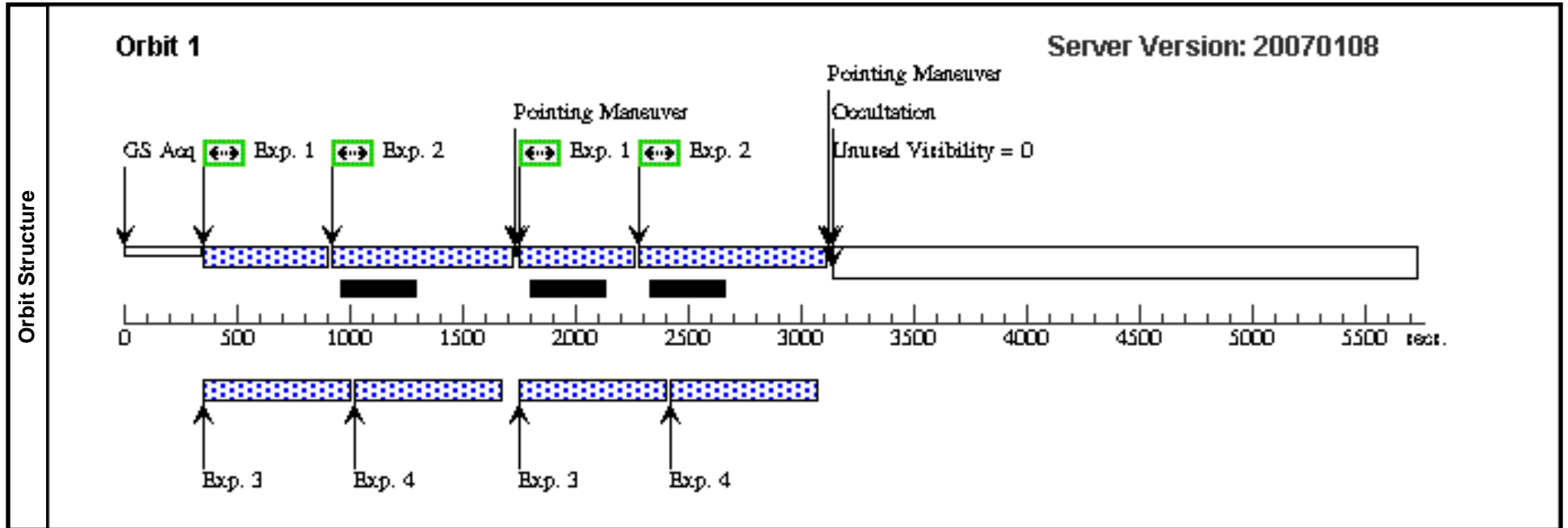


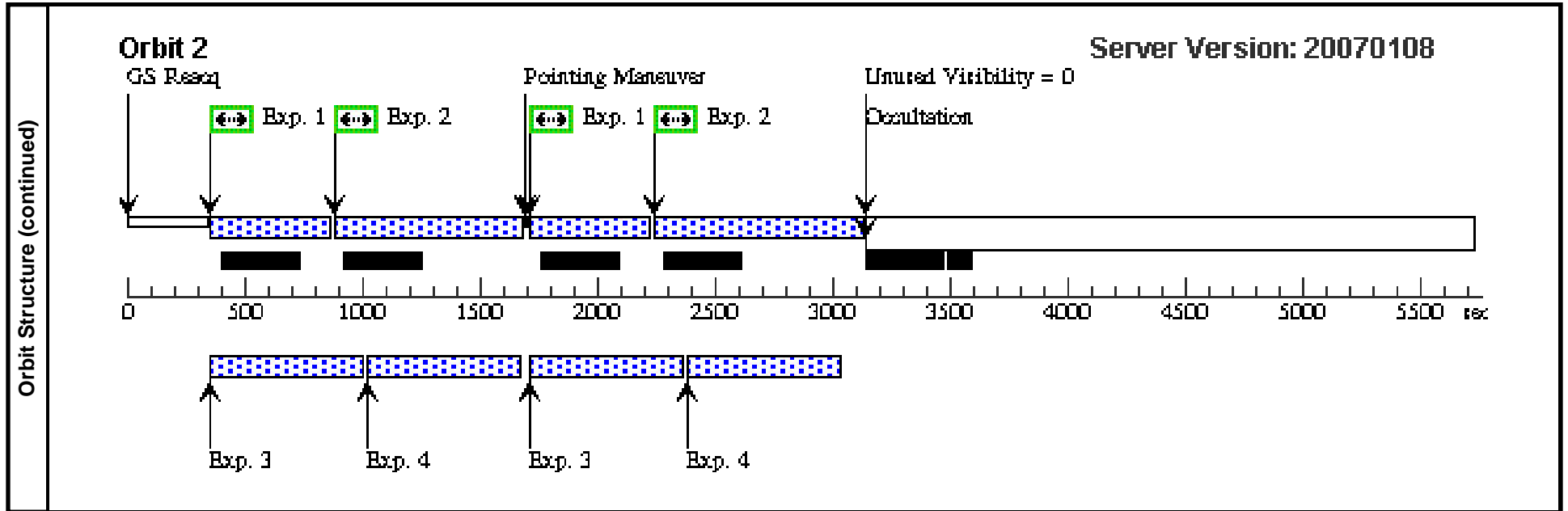


Proposal 10861 - Visit 62 - An ACS Treasury Survey of the Coma cluster of galaxies

Fri Jan 26 02:18:12 GMT 2007

Visit	Proposal 10861, Visit 62, scheduling Diagnostic Status: No Diagnostics Scientific Instruments: ACS/WFC, NIC3 Special Requirements: (none)									
	Patterns	#	Primary Pattern			Secondary Pattern			Exposures	
		(1)	Pattern Type=ACS-WFC-DITHER-LINE Purpose=DITHER Number Of Points=2 Point Spacing=3.011 Line Spacing=	Coordinate Frame=POS-TARG Pattern Orientation=85.3 Angle Between Sides= Center Pattern=false	Pattern Type=LINE Purpose=DITHER Number Of Points=2 Point Spacing=0.241 Line Spacing=	Coordinate Frame=POS-TARG Pattern Orientation=22.3 Angle Between Sides= Center Pattern=false	(1-4)			
Fixed Targets	#	Name	Target Coordinates	Targ. Coord. Corrections	Fluxes	Miscellaneous				
	(62)	COMA-OUTSKIRTS-20	RA: 12 56 36.0300 (194.1501250d) Dec: +26 54 17.84 (26.90496d) Equinox: J2000		V=22.0	Reference Frame: ICRS				
Exposures	#	Label	Target	Config,Mode,Aperture	Spectral Els.	Opt. Params.	Special Reqs.	Groups	Exp. Time/[Actual Dur.]	Orbit
	1	F814	(62) COMA-OUTSK IRTS-20	ACS/WFC, ACCUM, WFC	F814W	CR-SPLIT=NO		Pattern 1-4 (1) Prime + Parallel Group 1-4	350.0 Secs [==>(Pattern 1,1)] [==>(Pattern 1,2)] [==>(Pattern 2,1)] [==>(Pattern 2,2)]	[1] [2]
	2	F475	(62) COMA-OUTSK IRTS-20	ACS/WFC, ACCUM, WFC	F475W	CR-SPLIT=NO		Pattern 1-4 (1) Prime + Parallel Group 1-4	640.0 Secs [==>(Pattern 1,1)] [==>665.0 Secs (Pattern 1,2)] [==>(Pattern 2,1)] [==>732.0 Secs (Pattern 2,2)]	[1] [2]
	3	NICMOS H	ANY	NIC3, MULTIACCUM, NIC3	F160W	SAMP-SEQ=SPARS 128; NSAMP=7		Pattern 1-4 (1) Prime + Parallel Group 1-4	[==>(Pattern 1,1)] [==>(Pattern 1,2)] [==>(Pattern 2,1)] [==>(Pattern 2,2)]	[1] [2]
	4	NICMOS J	ANY	NIC3, MULTIACCUM, NIC3-FIX	F110W	SAMP-SEQ=SPARS 128; NSAMP=7		Pattern 1-4 (1) Prime + Parallel Group 1-4	[==>(Pattern 1,1)] [==>(Pattern 1,2)] [==>(Pattern 2,1)] [==>(Pattern 2,2)]	[1] [2]

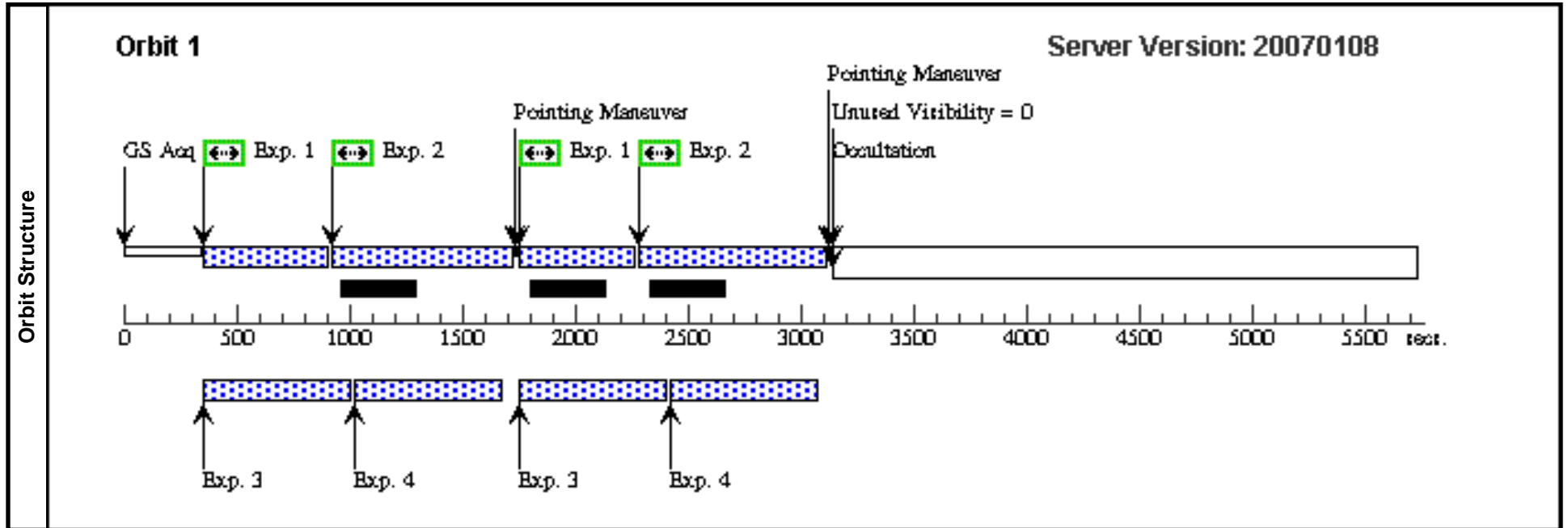


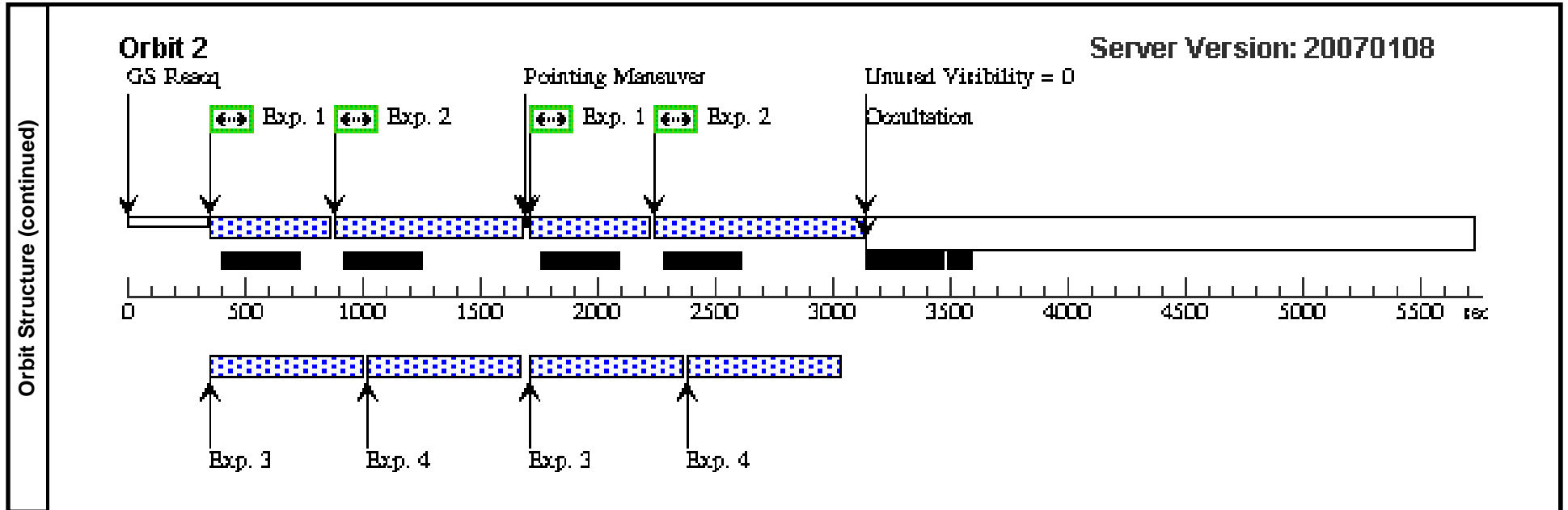


Proposal 10861 - Visit 63 - An ACS Treasury Survey of the Coma cluster of galaxies

Fri Jan 26 02:18:12 GMT 2007

Visit	Proposal 10861, Visit 63, completed Diagnostic Status: No Diagnostics Scientific Instruments: ACS/WFC, NIC3 Special Requirements: ORIENT 235.0D TO 265.0 D									
	Patterns	#	Primary Pattern			Secondary Pattern			Exposures	
		(1)	Pattern Type=ACS-WFC-DITHER-LINE Purpose=DITHER Number Of Points=2 Point Spacing=3.011 Line Spacing=	Coordinate Frame=POS-TARG Pattern Orientation=85.3 Angle Between Sides= Center Pattern=false	Pattern Type=LINE Purpose=DITHER Number Of Points=2 Point Spacing=0.241 Line Spacing=	Coordinate Frame=POS-TARG Pattern Orientation=22.3 Angle Between Sides= Center Pattern=false	(1-4)			
Fixed Targets	#	Name	Target Coordinates	Targ. Coord. Corrections	Fluxes	Miscellaneous				
	(63)	COMA-OUTSKIRTS-21	RA: 12 56 29.8000 (194.1241667d) Dec: +27 13 32.81 (27.22578d) Equinox: J2000		V=22.0	Reference Frame: ICRS				
Exposures	#	Label	Target	Config,Mode,Aperture	Spectral Els.	Opt. Params.	Special Reqs.	Groups	Exp. Time/[Actual Dur.]	Orbit
	1	F814	(63) COMA-OUTSK IRTS-21	ACS/WFC, ACCUM, WFC	F814W	CR-SPLIT=NO		Pattern 1-4 (1) Prime + Parallel Group 1-4	350.0 Secs [==>(Pattern 1,1)] [==>(Pattern 1,2)] [==>(Pattern 2,1)] [==>(Pattern 2,2)]	[1] [2]
	2	F475	(63) COMA-OUTSK IRTS-21	ACS/WFC, ACCUM, WFC	F475W	CR-SPLIT=NO		Pattern 1-4 (1) Prime + Parallel Group 1-4	640.0 Secs [==>(Pattern 1,1)] [==>665.0 Secs (Pattern 1,2)] [==>(Pattern 2,1)] [==>732.0 Secs (Pattern 2,2)]	[1] [2]
	3	NICMOS H	ANY	NIC3, MULTIACCUM, NIC3	F160W	SAMP-SEQ=SPARS 128; NSAMP=7		Pattern 1-4 (1) Prime + Parallel Group 1-4	[==>(Pattern 1,1)] [==>(Pattern 1,2)] [==>(Pattern 2,1)] [==>(Pattern 2,2)]	[1] [2]
	4	NICMOS J	ANY	NIC3, MULTIACCUM, NIC3-FIX	F110W	SAMP-SEQ=SPARS 128; NSAMP=7		Pattern 1-4 (1) Prime + Parallel Group 1-4	[==>(Pattern 1,1)] [==>(Pattern 1,2)] [==>(Pattern 2,1)] [==>(Pattern 2,2)]	[1] [2]

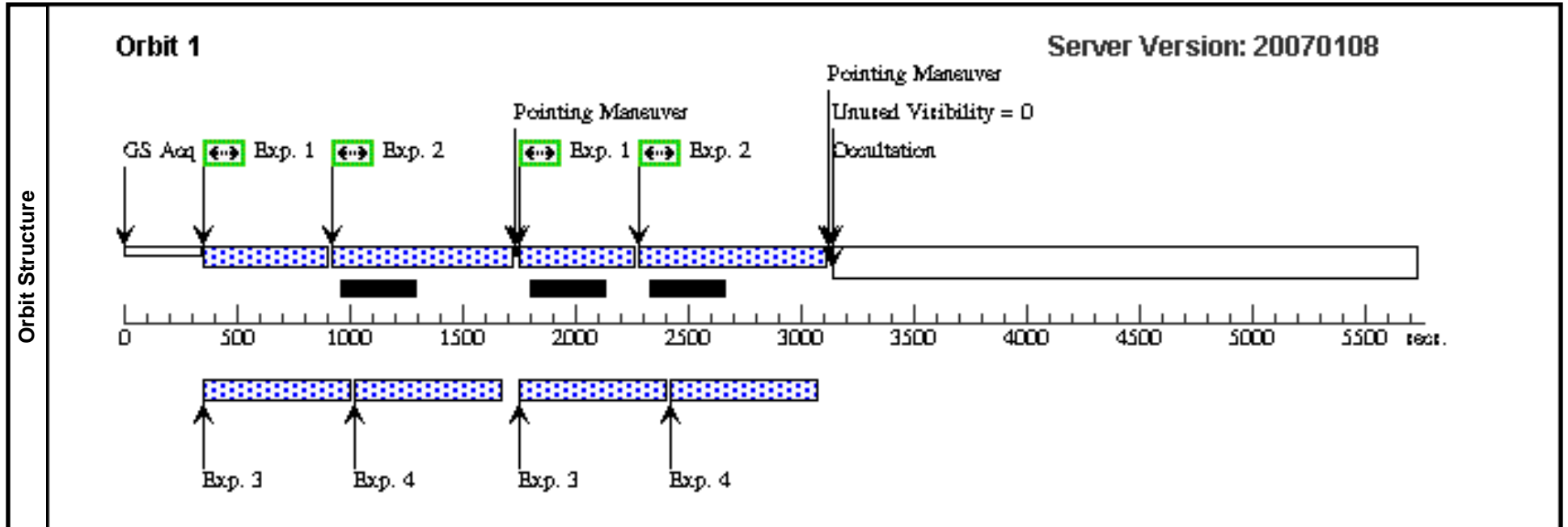


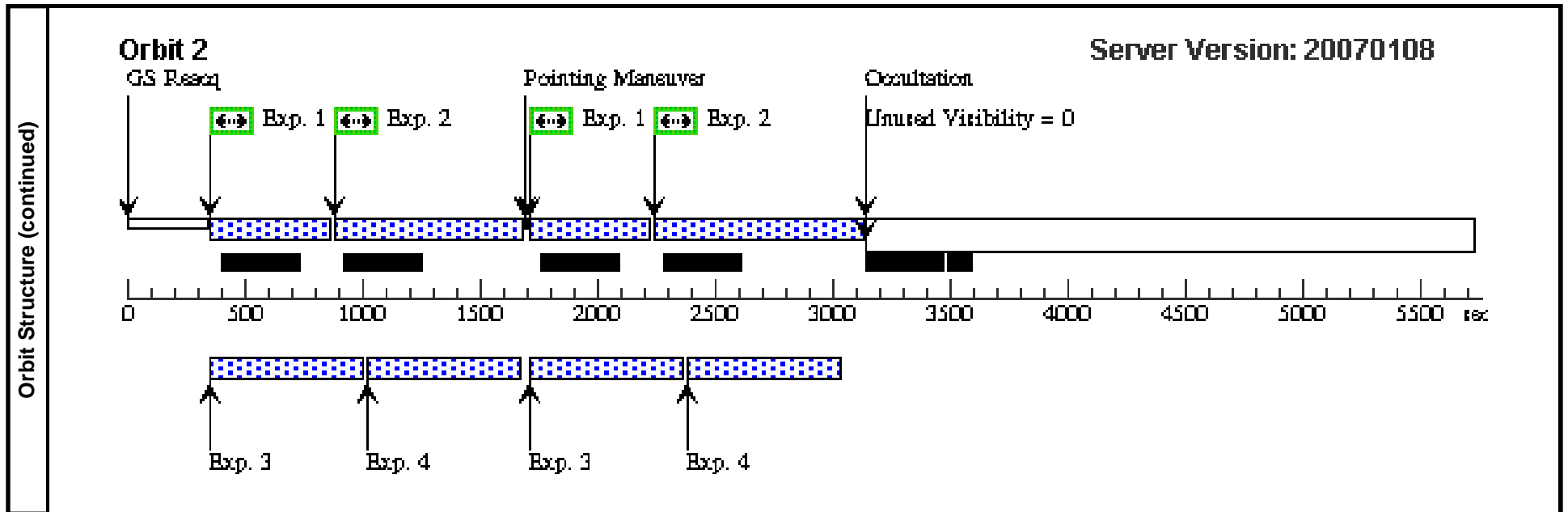


Proposal 10861 - Visit 64 - An ACS Treasury Survey of the Coma cluster of galaxies

Fri Jan 26 02:18:13 GMT 2007

Visit	Proposal 10861, Visit 64, scheduling Diagnostic Status: No Diagnostics Scientific Instruments: ACS/WFC, NIC3 Special Requirements: (none)									
	Patterns	#	Primary Pattern			Secondary Pattern			Exposures	
		(1)	Pattern Type=ACS-WFC-DITHER-LINE Purpose=DITHER Number Of Points=2 Point Spacing=3.011 Line Spacing=	Coordinate Frame=POS-TARG Pattern Orientation=85.3 Angle Between Sides= Center Pattern=false	Pattern Type=LINE Purpose=DITHER Number Of Points=2 Point Spacing=0.241 Line Spacing=	Coordinate Frame=POS-TARG Pattern Orientation=22.3 Angle Between Sides= Center Pattern=false	(1-4)			
Fixed Targets	#	Name	Target Coordinates	Targ. Coord. Corrections	Fluxes	Miscellaneous				
	(64)	COMA-OUTSKIRTS-22	RA: 12 57 56.5100 (194.4854583d) Dec: +27 02 16.45 (27.03790d) Equinox: J2000		V=22.0	Reference Frame: ICRS				
Exposures	#	Label	Target	Config,Mode,Aperture	Spectral Els.	Opt. Params.	Special Reqs.	Groups	Exp. Time/[Actual Dur.]	Orbit
	1	F814	(64) COMA-OUTSK IRTS-22	ACS/WFC, ACCUM, WFC	F814W	CR-SPLIT=NO		Pattern 1-4 (1) Prime + Parallel Group 1-4	350.0 Secs [==>(Pattern 1,1)] [==>(Pattern 1,2)] [==>(Pattern 2,1)] [==>(Pattern 2,2)]	[1] [2]
	2	F475	(64) COMA-OUTSK IRTS-22	ACS/WFC, ACCUM, WFC	F475W	CR-SPLIT=NO		Pattern 1-4 (1) Prime + Parallel Group 1-4	640.0 Secs [==>(Pattern 1,1)] [==>665.0 Secs (Pattern 1,2)] [==>(Pattern 2,1)] [==>732.0 Secs (Pattern 2,2)]	[1] [2]
	3	NICMOS H	ANY	NIC3, MULTIACCUM, NIC3	F160W	SAMP-SEQ=SPARS 128; NSAMP=7		Pattern 1-4 (1) Prime + Parallel Group 1-4	[==>(Pattern 1,1)] [==>(Pattern 1,2)] [==>(Pattern 2,1)] [==>(Pattern 2,2)]	[1] [2]
	4	NICMOS J	ANY	NIC3, MULTIACCUM, NIC3-FIX	F110W	SAMP-SEQ=SPARS 128; NSAMP=7		Pattern 1-4 (1) Prime + Parallel Group 1-4	[==>(Pattern 1,1)] [==>(Pattern 1,2)] [==>(Pattern 2,1)] [==>(Pattern 2,2)]	[1] [2]

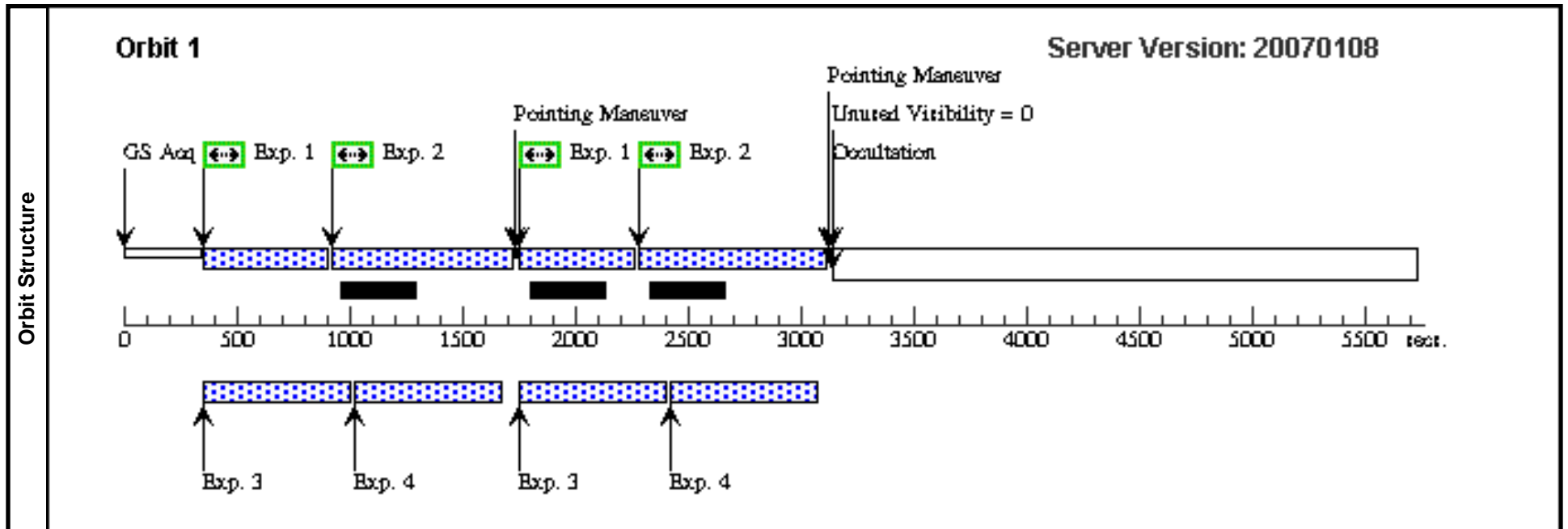


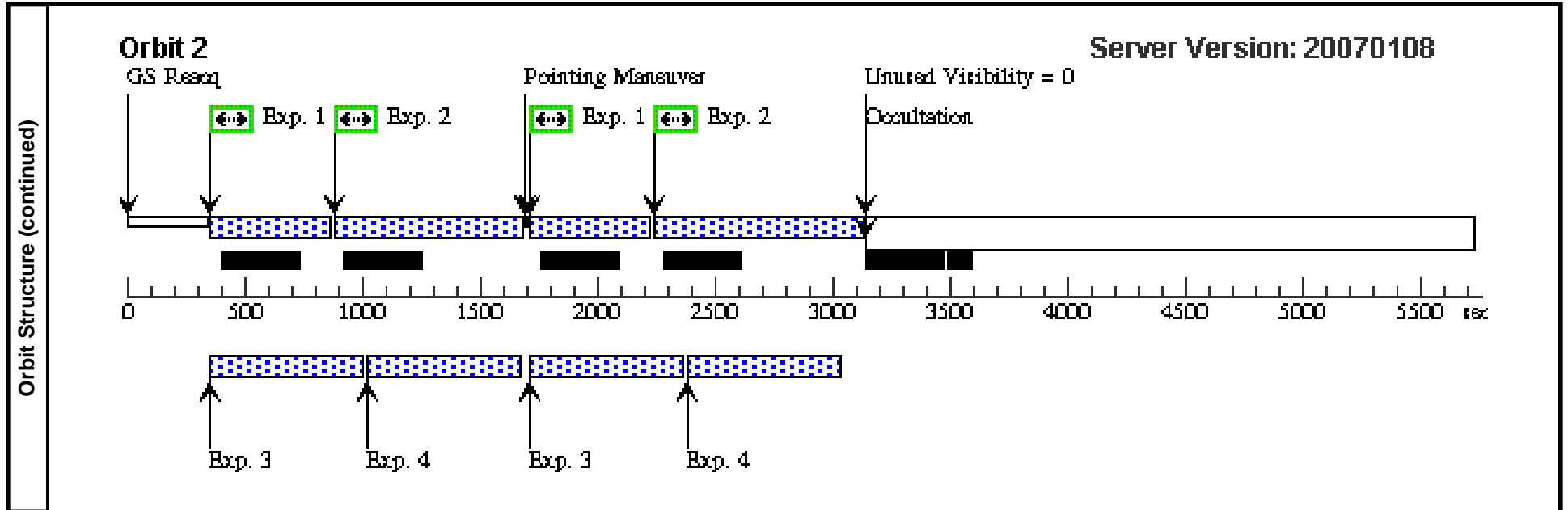


Proposal 10861 - Visit 65 - An ACS Treasury Survey of the Coma cluster of galaxies

Fri Jan 26 02:18:13 GMT 2007

Visit	Proposal 10861, Visit 65, scheduling Diagnostic Status: No Diagnostics Scientific Instruments: ACS/WFC, NIC3 Special Requirements: ORIENT 220.0D TO 260.0 D									
	Patterns	#	Primary Pattern			Secondary Pattern			Exposures	
		(1)	Pattern Type=ACS-WFC-DITHER-LINE Purpose=DITHER Number Of Points=2 Point Spacing=3.011 Line Spacing=	Coordinate Frame=POS-TARG Pattern Orientation=85.3 Angle Between Sides= Center Pattern=false	Pattern Type=LINE Purpose=DITHER Number Of Points=2 Point Spacing=0.241 Line Spacing=	Coordinate Frame=POS-TARG Pattern Orientation=22.3 Angle Between Sides= Center Pattern=false	(1-4)			
Fixed Targets	#	Name	Target Coordinates	Targ. Coord. Corrections	Fluxes	Miscellaneous				
	(65)	COMA-OUTSKIRTS-23	RA: 12 57 21.0800 (194.3378333d) Dec: +27 00 4.20 (27.00117d) Equinox: J2000		V=22.0	Reference Frame: ICRS				
Exposures	#	Label	Target	Config,Mode,Aperture	Spectral Els.	Opt. Params.	Special Reqs.	Groups	Exp. Time/[Actual Dur.]	Orbit
	1	F814	(65) COMA-OUTSK IRTS-23	ACS/WFC, ACCUM, WFC	F814W	CR-SPLIT=NO		Pattern 1-4 (1) Prime + Parallel Group 1-4	350.0 Secs [==>(Pattern 1,1)] [==>(Pattern 1,2)] [==>(Pattern 2,1)] [==>(Pattern 2,2)]	[1] [2]
	2	F475	(65) COMA-OUTSK IRTS-23	ACS/WFC, ACCUM, WFC	F475W	CR-SPLIT=NO		Pattern 1-4 (1) Prime + Parallel Group 1-4	640.0 Secs [==>(Pattern 1,1)] [==>665.0 Secs (Pattern 1,2)] [==>(Pattern 2,1)] [==>732.0 Secs (Pattern 2,2)]	[1] [2]
	3	NICMOS H	ANY	NIC3, MULTIACCUM, NIC3	F160W	SAMP-SEQ=SPARS 128; NSAMP=7		Pattern 1-4 (1) Prime + Parallel Group 1-4	[==>(Pattern 1,1)] [==>(Pattern 1,2)] [==>(Pattern 2,1)] [==>(Pattern 2,2)]	[1] [2]
	4	NICMOS J	ANY	NIC3, MULTIACCUM, NIC3-FIX	F110W	SAMP-SEQ=SPARS 128; NSAMP=7		Pattern 1-4 (1) Prime + Parallel Group 1-4	[==>(Pattern 1,1)] [==>(Pattern 1,2)] [==>(Pattern 2,1)] [==>(Pattern 2,2)]	[1] [2]

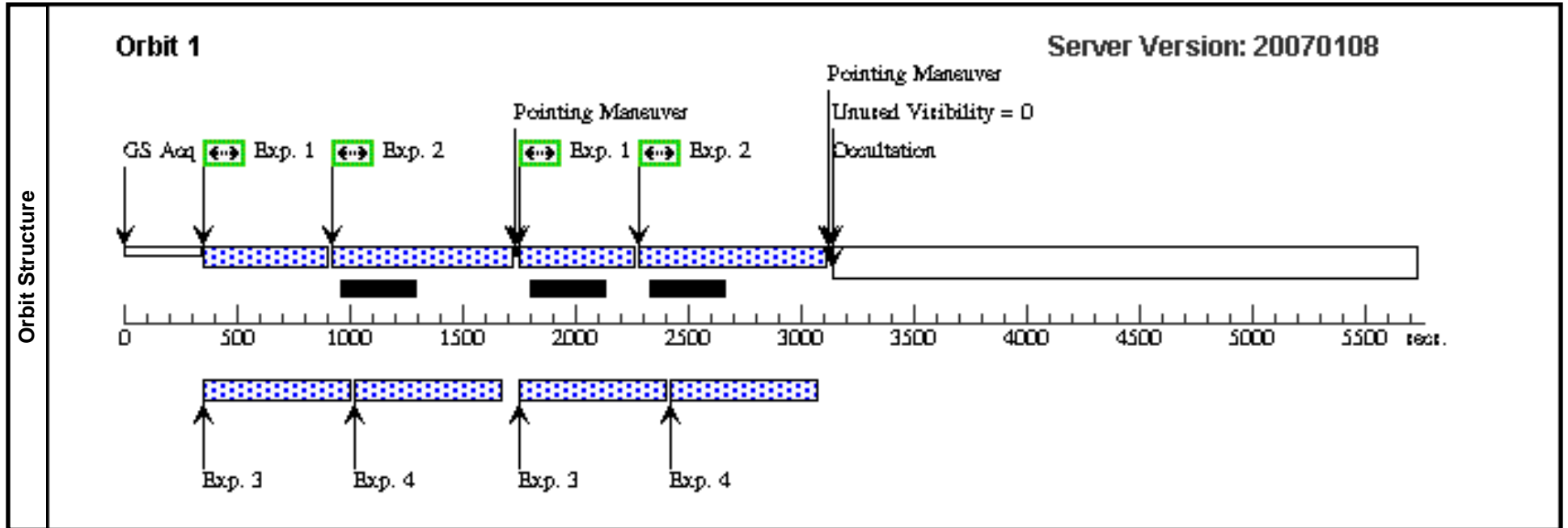


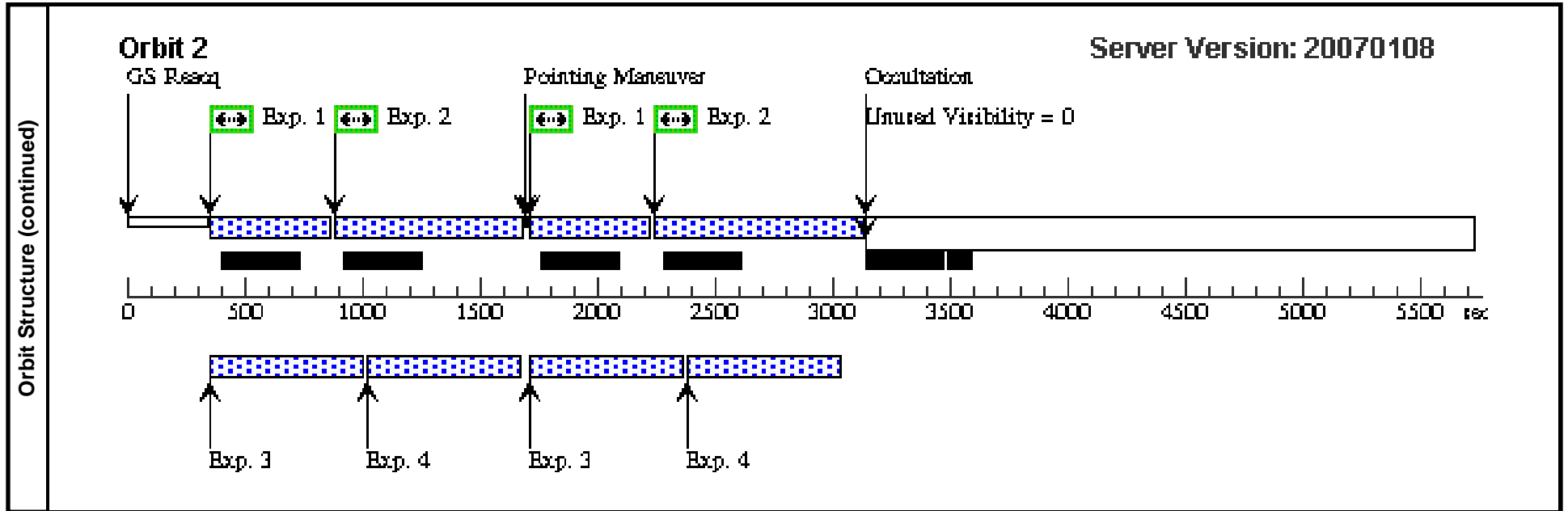


Proposal 10861 - Visit 66 - An ACS Treasury Survey of the Coma cluster of galaxies

Fri Jan 26 02:18:13 GMT 2007

Visit		Proposal 10861, Visit 66, scheduling Diagnostic Status: No Diagnostics Scientific Instruments: ACS/WFC, NIC3 Special Requirements: ORIENT 200.0D TO 290.0 D								
Patterns	#	Primary Pattern			Secondary Pattern			Exposures		
	(1)	Pattern Type=ACS-WFC-DITHER-LINE Purpose=DITHER Number Of Points=2 Point Spacing=3.011 Line Spacing=	Coordinate Frame=POS-TARG Pattern Orientation=85.3 Angle Between Sides= Center Pattern=false	Pattern Type=LINE Purpose=DITHER Number Of Points=2 Point Spacing=0.241 Line Spacing=	Coordinate Frame=POS-TARG Pattern Orientation=22.3 Angle Between Sides= Center Pattern=false	(1-4)				
Fixed Targets	#	Name	Target Coordinates	Targ. Coord. Corrections	Fluxes	Miscellaneous				
	(66)	COMA-OUTSKIRTS-24	RA: 12 57 8.8800 (194.2870000d) Dec: +27 05 47.80 (27.09661d) Equinox: J2000		V=22.0	Reference Frame: ICRS				
Exposures	#	Label	Target	Config,Mode,Aperture	Spectral Els.	Opt. Params.	Special Reqs.	Groups	Exp. Time/[Actual Dur.]	Orbit
	1	F814	(66) COMA-OUTSK IRTS-24	ACS/WFC, ACCUM, WFC	F814W	CR-SPLIT=NO		Pattern 1-4 (1) Prime + Parallel Group 1-4	350.0 Secs [==>(Pattern 1,1)] [==>(Pattern 1,2)] [==>(Pattern 2,1)] [==>(Pattern 2,2)]	[1] [2]
	2	F475	(66) COMA-OUTSK IRTS-24	ACS/WFC, ACCUM, WFC	F475W	CR-SPLIT=NO		Pattern 1-4 (1) Prime + Parallel Group 1-4	640.0 Secs [==>(Pattern 1,1)] [==>665.0 Secs (Pattern 1,2)] [==>(Pattern 2,1)] [==>732.0 Secs (Pattern 2,2)]	[1] [2]
	3	NICMOS H	ANY	NIC3, MULTIACCUM, NIC3	F160W	SAMP-SEQ=SPARS 128; NSAMP=7		Pattern 1-4 (1) Prime + Parallel Group 1-4	[==>(Pattern 1,1)] [==>(Pattern 1,2)] [==>(Pattern 2,1)] [==>(Pattern 2,2)]	[1] [2]
	4	NICMOS J	ANY	NIC3, MULTIACCUM, NIC3-FIX	F110W	SAMP-SEQ=SPARS 128; NSAMP=7		Pattern 1-4 (1) Prime + Parallel Group 1-4	[==>(Pattern 1,1)] [==>(Pattern 1,2)] [==>(Pattern 2,1)] [==>(Pattern 2,2)]	[1] [2]

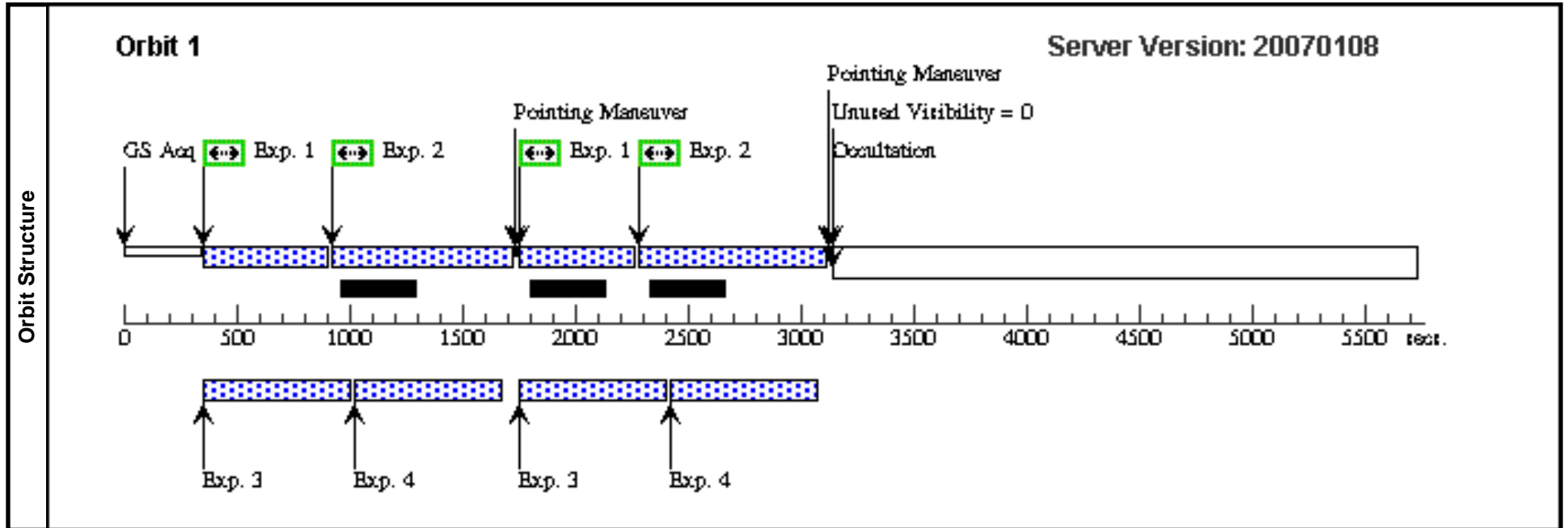


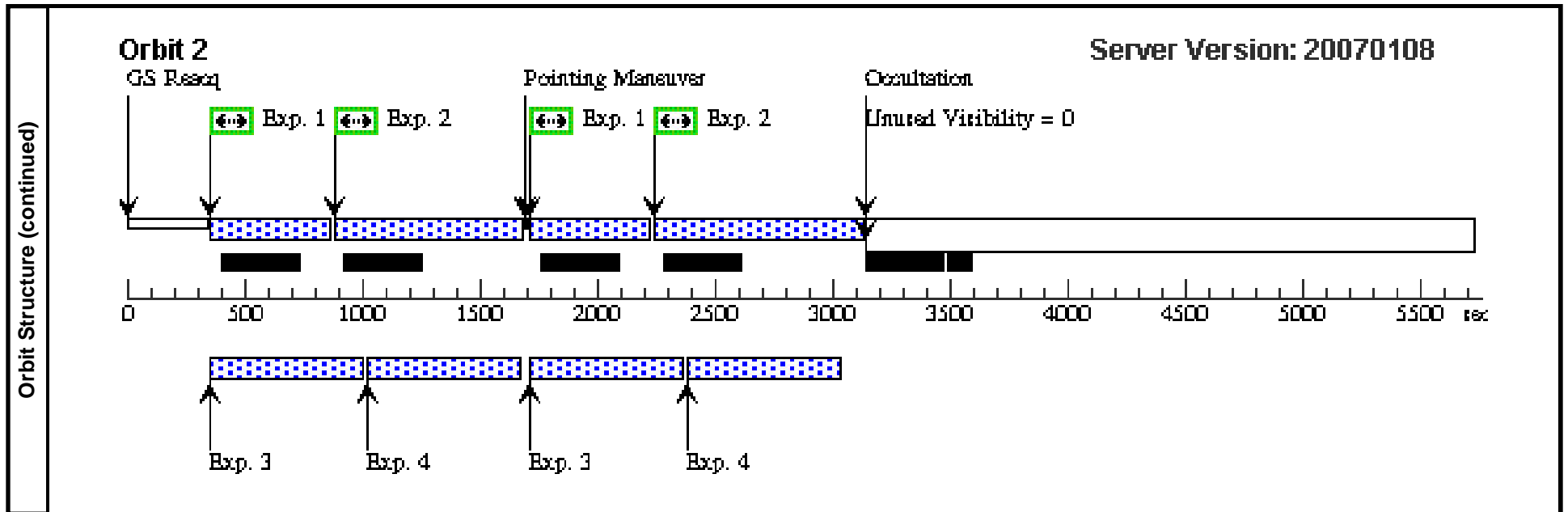


Proposal 10861 - Visit 67 - An ACS Treasury Survey of the Coma cluster of galaxies

Fri Jan 26 02:18:14 GMT 2007

Visit	Proposal 10861, Visit 67, scheduling Diagnostic Status: No Diagnostics Scientific Instruments: ACS/WFC, NIC3 Special Requirements: ORIENT 230.0D TO 250.0 D									
	Patterns	#	Primary Pattern			Secondary Pattern			Exposures	
		(1)	Pattern Type=ACS-WFC-DITHER-LINE Purpose=DITHER Number Of Points=2 Point Spacing=3.011 Line Spacing=	Coordinate Frame=POS-TARG Pattern Orientation=85.3 Angle Between Sides= Center Pattern=false	Pattern Type=LINE Purpose=DITHER Number Of Points=2 Point Spacing=0.241 Line Spacing=	Coordinate Frame=POS-TARG Pattern Orientation=22.3 Angle Between Sides= Center Pattern=false	(1-4)			
Fixed Targets	#	Name	Target Coordinates	Targ. Coord. Corrections	Fluxes	Miscellaneous				
	(67)	COMA-OUTSKIRTS-25	RA: 12 56 37.8400 (194.1576667d) Dec: +27 02 49.30 (27.04703d) Equinox: J2000		V=22.0	Reference Frame: ICRS				
Exposures	#	Label	Target	Config,Mode,Aperture	Spectral Els.	Opt. Params.	Special Reqs.	Groups	Exp. Time/[Actual Dur.]	Orbit
	1	F814	(67) COMA-OUTSK IRTS-25	ACS/WFC, ACCUM, WFC	F814W	CR-SPLIT=NO		Pattern 1-4 (1) Prime + Parallel Group 1-4	350.0 Secs [==>(Pattern 1,1)] [==>(Pattern 1,2)] [==>(Pattern 2,1)] [==>(Pattern 2,2)]	[1] [2]
	2	F475	(67) COMA-OUTSK IRTS-25	ACS/WFC, ACCUM, WFC	F475W	CR-SPLIT=NO		Pattern 1-4 (1) Prime + Parallel Group 1-4	640.0 Secs [==>(Pattern 1,1)] [==>665.0 Secs (Pattern 1,2)] [==>(Pattern 2,1)] [==>732.0 Secs (Pattern 2,2)]	[1] [2]
	3	NICMOS H	ANY	NIC3, MULTIACCUM, NIC3	F160W	SAMP-SEQ=SPARS 128; NSAMP=7		Pattern 1-4 (1) Prime + Parallel Group 1-4	[==>(Pattern 1,1)] [==>(Pattern 1,2)] [==>(Pattern 2,1)] [==>(Pattern 2,2)]	[1] [2]
	4	NICMOS J	ANY	NIC3, MULTIACCUM, NIC3-FIX	F110W	SAMP-SEQ=SPARS 128; NSAMP=7		Pattern 1-4 (1) Prime + Parallel Group 1-4	[==>(Pattern 1,1)] [==>(Pattern 1,2)] [==>(Pattern 2,1)] [==>(Pattern 2,2)]	[1] [2]

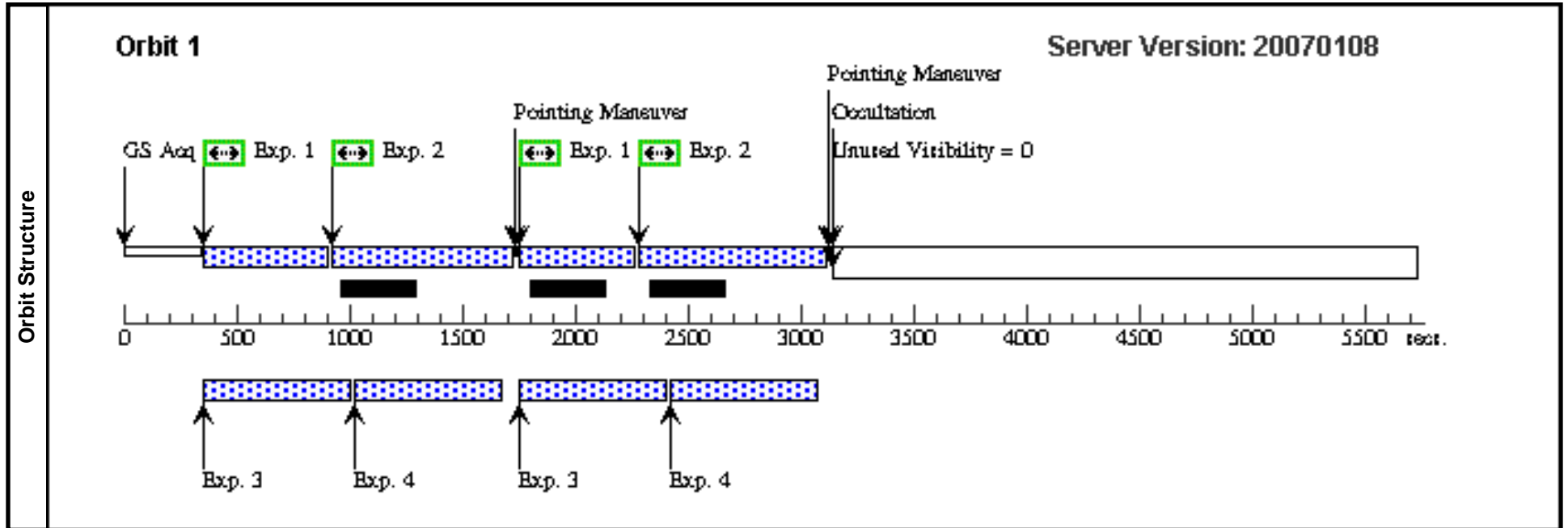


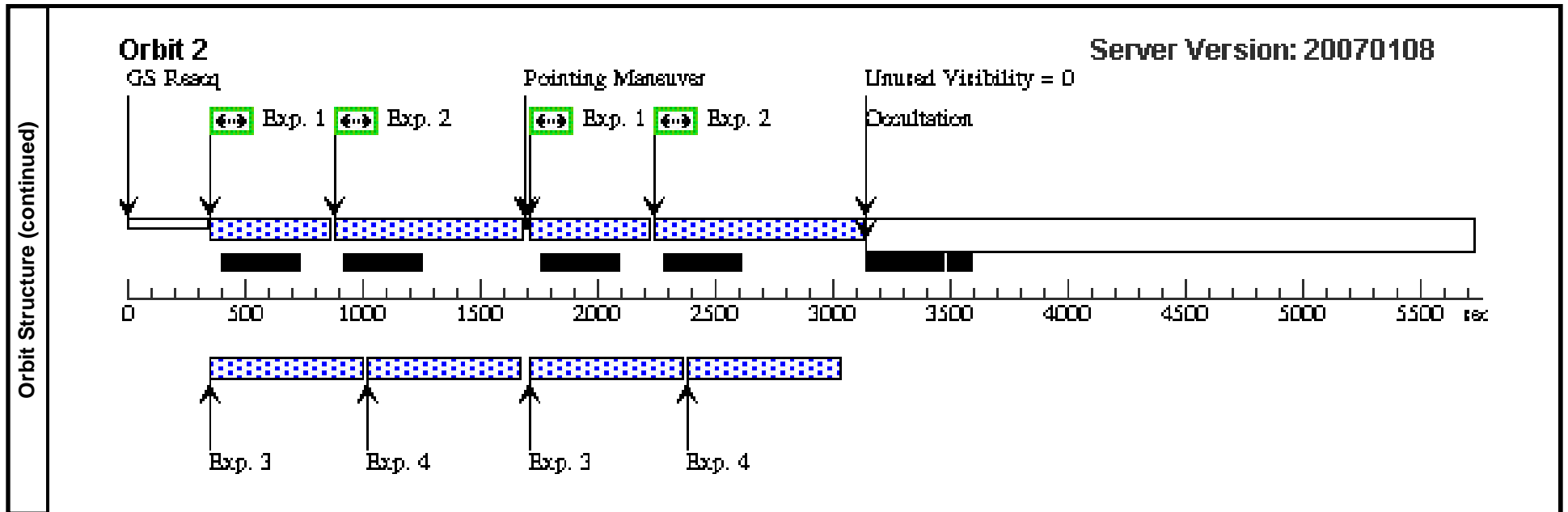


Proposal 10861 - Visit 68 - An ACS Treasury Survey of the Coma cluster of galaxies

Fri Jan 26 02:18:14 GMT 2007

Visit	Proposal 10861, Visit 68, scheduling Diagnostic Status: No Diagnostics Scientific Instruments: ACS/WFC, NIC3 Special Requirements: (none)									
	Patterns	#	Primary Pattern			Secondary Pattern			Exposures	
		(1)	Pattern Type=ACS-WFC-DITHER-LINE Purpose=DITHER Number Of Points=2 Point Spacing=3.011 Line Spacing=	Coordinate Frame=POS-TARG Pattern Orientation=85.3 Angle Between Sides= Center Pattern=false	Pattern Type=LINE Purpose=DITHER Number Of Points=2 Point Spacing=0.241 Line Spacing=	Coordinate Frame=POS-TARG Pattern Orientation=22.3 Angle Between Sides= Center Pattern=false	(1-4)			
Fixed Targets	#	Name	Target Coordinates	Targ. Coord. Corrections	Fluxes	Miscellaneous				
	(68)	COMA-OUTSKIRTS-26	RA: 12 57 14.0300 (194.3084583d) Dec: +27 15 14.70 (27.25408d) Equinox: J2000		V=22.0	Reference Frame: ICRS				
Exposures	#	Label	Target	Config,Mode,Aperture	Spectral Els.	Opt. Params.	Special Reqs.	Groups	Exp. Time/[Actual Dur.]	Orbit
	1	F814	(68) COMA-OUTSK IRTS-26	ACS/WFC, ACCUM, WFC	F814W	CR-SPLIT=NO		Pattern 1-4 (1) Prime + Parallel Group 1-4	350.0 Secs [==>(Pattern 1,1)] [==>(Pattern 1,2)] [==>(Pattern 2,1)] [==>(Pattern 2,2)]	[1] [2]
	2	F475	(68) COMA-OUTSK IRTS-26	ACS/WFC, ACCUM, WFC	F475W	CR-SPLIT=NO		Pattern 1-4 (1) Prime + Parallel Group 1-4	640.0 Secs [==>(Pattern 1,1)] [==>665.0 Secs (Pattern 1,2)] [==>(Pattern 2,1)] [==>732.0 Secs (Pattern 2,2)]	[1] [2]
	3	NICMOS H	ANY	NIC3, MULTIACCUM, NIC3	F160W	SAMP-SEQ=SPARS 128; NSAMP=7		Pattern 1-4 (1) Prime + Parallel Group 1-4	[==>(Pattern 1,1)] [==>(Pattern 1,2)] [==>(Pattern 2,1)] [==>(Pattern 2,2)]	[1] [2]
	4	NICMOS J	ANY	NIC3, MULTIACCUM, NIC3-FIX	F110W	SAMP-SEQ=SPARS 128; NSAMP=7		Pattern 1-4 (1) Prime + Parallel Group 1-4	[==>(Pattern 1,1)] [==>(Pattern 1,2)] [==>(Pattern 2,1)] [==>(Pattern 2,2)]	[1] [2]

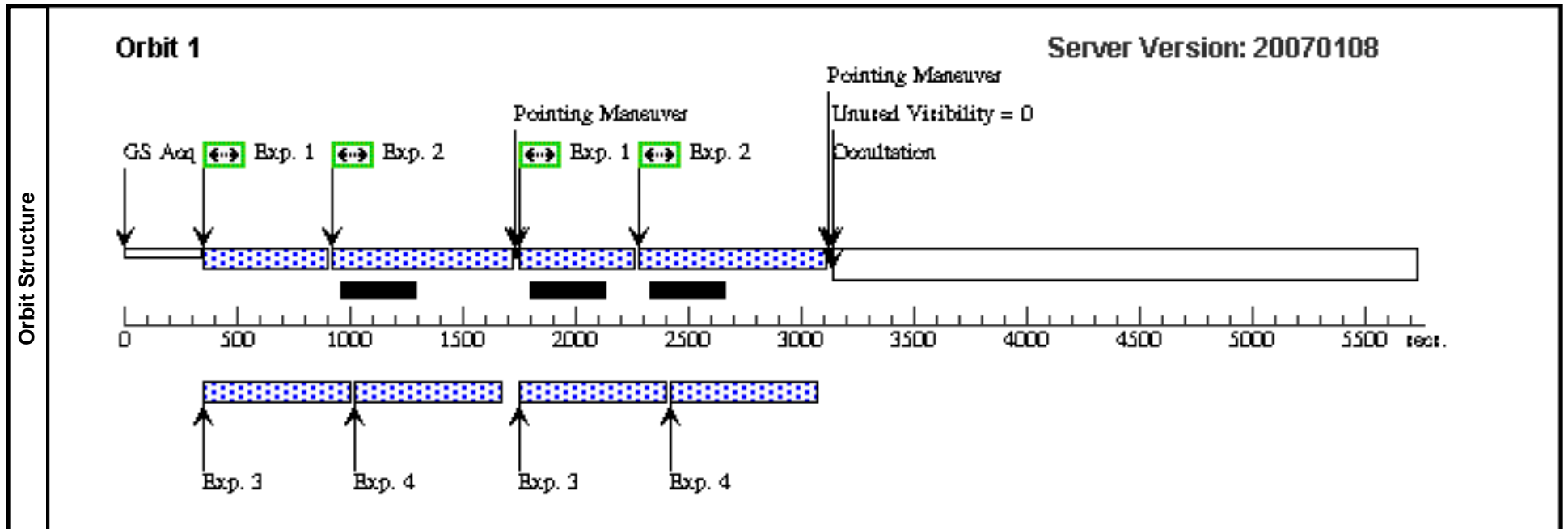


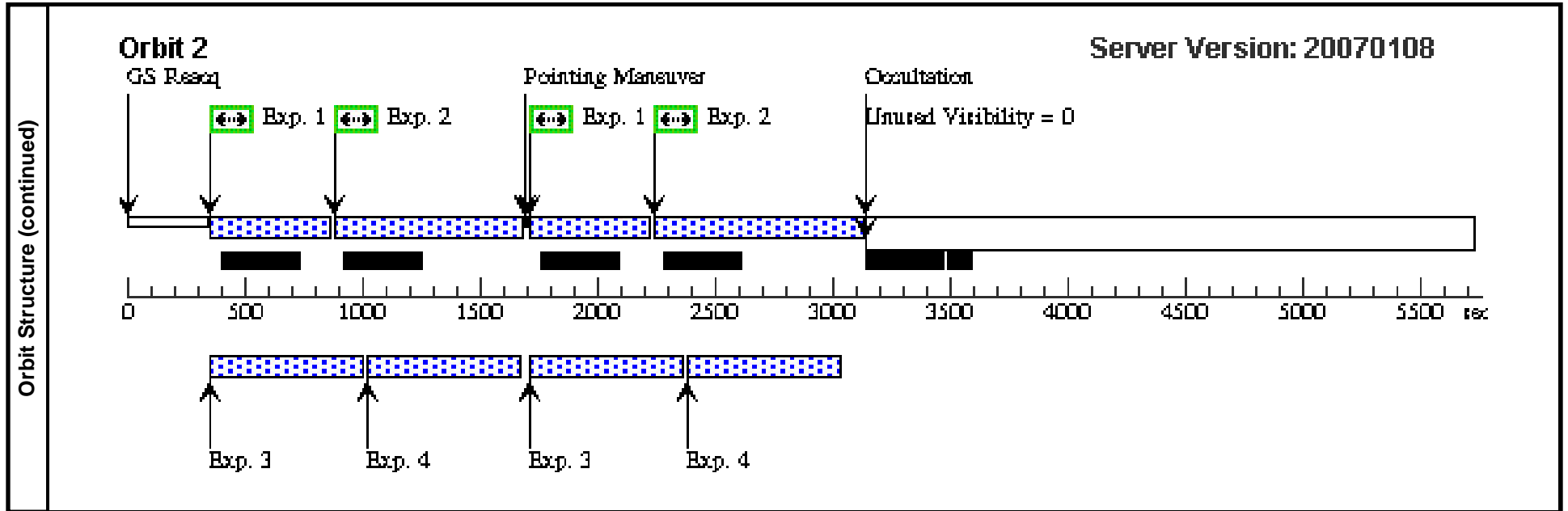


Proposal 10861 - Visit 69 - An ACS Treasury Survey of the Coma cluster of galaxies

Fri Jan 26 02:18:15 GMT 2007

Visit	Proposal 10861, Visit 69, scheduling Diagnostic Status: No Diagnostics Scientific Instruments: ACS/WFC, NIC3 Special Requirements: ORIENT 265.0D TO 295.0 D									
	Patterns	#	Primary Pattern			Secondary Pattern			Exposures	
		(1)	Pattern Type=ACS-WFC-DITHER-LINE Purpose=DITHER Number Of Points=2 Point Spacing=3.011 Line Spacing=	Coordinate Frame=POS-TARG Pattern Orientation=85.3 Angle Between Sides= Center Pattern=false	Pattern Type=LINE Purpose=DITHER Number Of Points=2 Point Spacing=0.241 Line Spacing=	Coordinate Frame=POS-TARG Pattern Orientation=22.3 Angle Between Sides= Center Pattern=false	(1-4)			
Fixed Targets	#	Name	Target Coordinates	Targ. Coord. Corrections	Fluxes	Miscellaneous				
	(69)	COMA-OUTSKIRTS-27	RA: 12 59 12.2060 (194.8008583d) Dec: +27 36 56.95 (27.61582d) Equinox: J2000		V=22.0	Reference Frame: ICRS				
Exposures	#	Label	Target	Config,Mode,Aperture	Spectral Els.	Opt. Params.	Special Reqs.	Groups	Exp. Time/[Actual Dur.]	Orbit
	1	F814	(69) COMA-OUTSK IRTS-27	ACS/WFC, ACCUM, WFC	F814W	CR-SPLIT=NO		Pattern 1-4 (1) Prime + Parallel Group 1-4	350.0 Secs [==>(Pattern 1,1)] [==>(Pattern 1,2)] [==>(Pattern 2,1)] [==>(Pattern 2,2)]	[1] [2]
	2	F475	(69) COMA-OUTSK IRTS-27	ACS/WFC, ACCUM, WFC	F475W	CR-SPLIT=NO		Pattern 1-4 (1) Prime + Parallel Group 1-4	640.0 Secs [==>(Pattern 1,1)] [==>665.0 Secs (Pattern 1,2)] [==>(Pattern 2,1)] [==>732.0 Secs (Pattern 2,2)]	[1] [2]
	3	NICMOS H	ANY	NIC3, MULTIACCUM, NIC3	F160W	SAMP-SEQ=SPARS 128; NSAMP=7		Pattern 1-4 (1) Prime + Parallel Group 1-4	[==>(Pattern 1,1)] [==>(Pattern 1,2)] [==>(Pattern 2,1)] [==>(Pattern 2,2)]	[1] [2]
	4	NICMOS J	ANY	NIC3, MULTIACCUM, NIC3-FIX	F110W	SAMP-SEQ=SPARS 128; NSAMP=7		Pattern 1-4 (1) Prime + Parallel Group 1-4	[==>(Pattern 1,1)] [==>(Pattern 1,2)] [==>(Pattern 2,1)] [==>(Pattern 2,2)]	[1] [2]

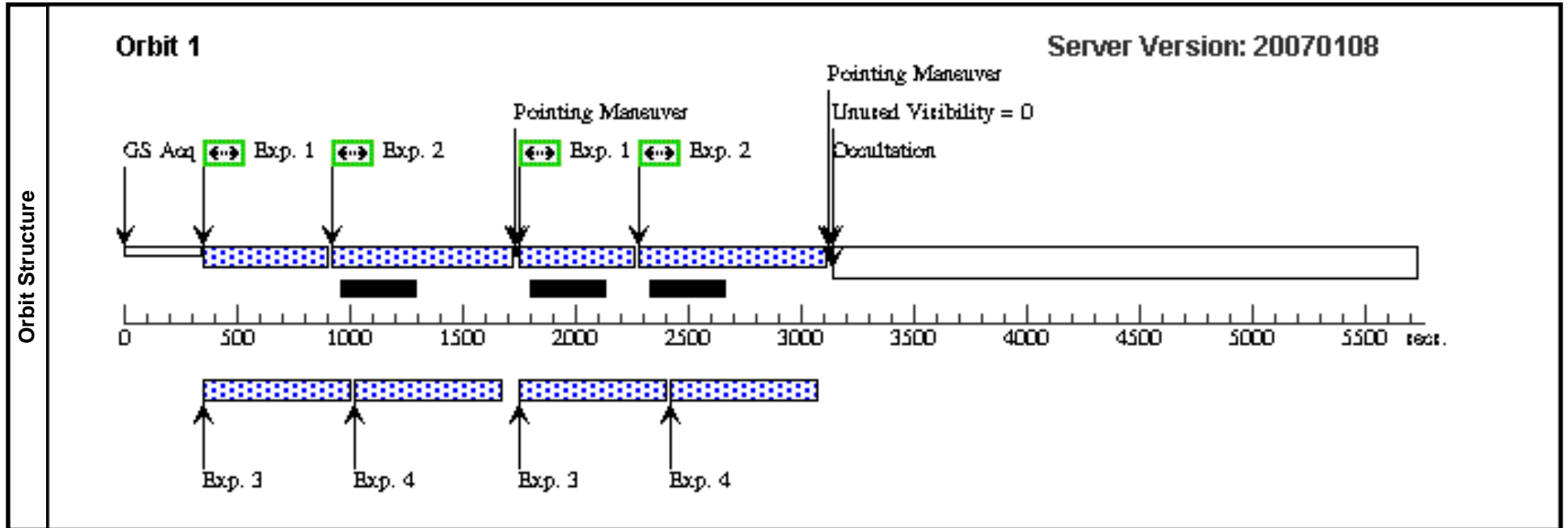


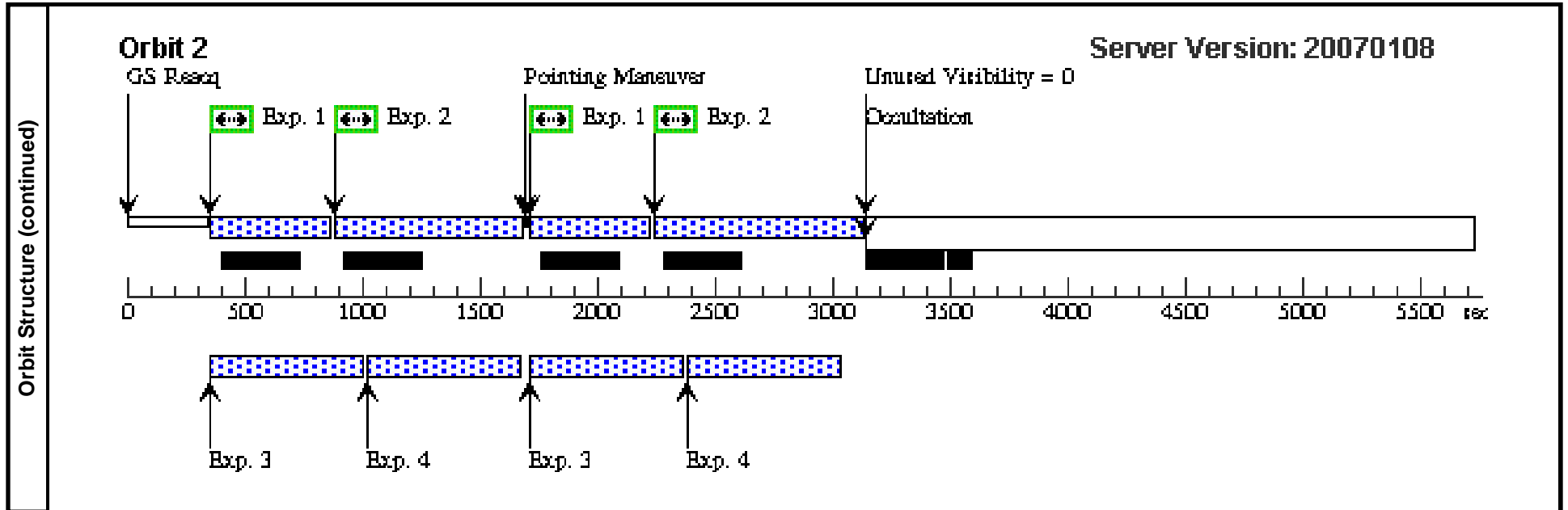


Proposal 10861 - Visit 70 - An ACS Treasury Survey of the Coma cluster of galaxies

Fri Jan 26 02:18:15 GMT 2007

Visit	Proposal 10861, Visit 70, scheduling Diagnostic Status: No Diagnostics Scientific Instruments: ACS/WFC, NIC3 Special Requirements: ORIENT 240.0D TO 250.0 D									
	Patterns	#	Primary Pattern			Secondary Pattern			Exposures	
		(1)	Pattern Type=ACS-WFC-DITHER-LINE Purpose=DITHER Number Of Points=2 Point Spacing=3.011 Line Spacing=	Coordinate Frame=POS-TARG Pattern Orientation=85.3 Angle Between Sides= Center Pattern=false	Pattern Type=LINE Purpose=DITHER Number Of Points=2 Point Spacing=0.241 Line Spacing=	Coordinate Frame=POS-TARG Pattern Orientation=22.3 Angle Between Sides= Center Pattern=false	(1-4)			
Fixed Targets	#	Name	Target Coordinates	Targ. Coord. Corrections	Fluxes	Miscellaneous				
	(70)	COMA-OUTSKIRTS-28	RA: 12 57 21.3770 (194.3390708d) Dec: +27 37 42.10 (27.62836d) Equinox: J2000		V=22.0	Reference Frame: ICRS				
Exposures	#	Label	Target	Config,Mode,Aperture	Spectral Els.	Opt. Params.	Special Reqs.	Groups	Exp. Time/[Actual Dur.]	Orbit
	1	F814	(70) COMA-OUTSK IRTS-28	ACS/WFC, ACCUM, WFC	F814W	CR-SPLIT=NO		Pattern 1-4 (1) Prime + Parallel Group 1-4	350.0 Secs [==>(Pattern 1,1)] [==>(Pattern 1,2)] [==>(Pattern 2,1)] [==>(Pattern 2,2)]	[1] [2]
	2	F475	(70) COMA-OUTSK IRTS-28	ACS/WFC, ACCUM, WFC	F475W	CR-SPLIT=NO		Pattern 1-4 (1) Prime + Parallel Group 1-4	640.0 Secs [==>(Pattern 1,1)] [==>665.0 Secs (Pattern 1,2)] [==>(Pattern 2,1)] [==>732.0 Secs (Pattern 2,2)]	[1] [2]
	3	NICMOS H	ANY	NIC3, MULTIACCUM, NIC3	F160W	SAMP-SEQ=SPARS 128; NSAMP=7		Pattern 1-4 (1) Prime + Parallel Group 1-4	[==>(Pattern 1,1)] [==>(Pattern 1,2)] [==>(Pattern 2,1)] [==>(Pattern 2,2)]	[1] [2]
	4	NICMOS J	ANY	NIC3, MULTIACCUM, NIC3-FIX	F110W	SAMP-SEQ=SPARS 128; NSAMP=7		Pattern 1-4 (1) Prime + Parallel Group 1-4	[==>(Pattern 1,1)] [==>(Pattern 1,2)] [==>(Pattern 2,1)] [==>(Pattern 2,2)]	[1] [2]

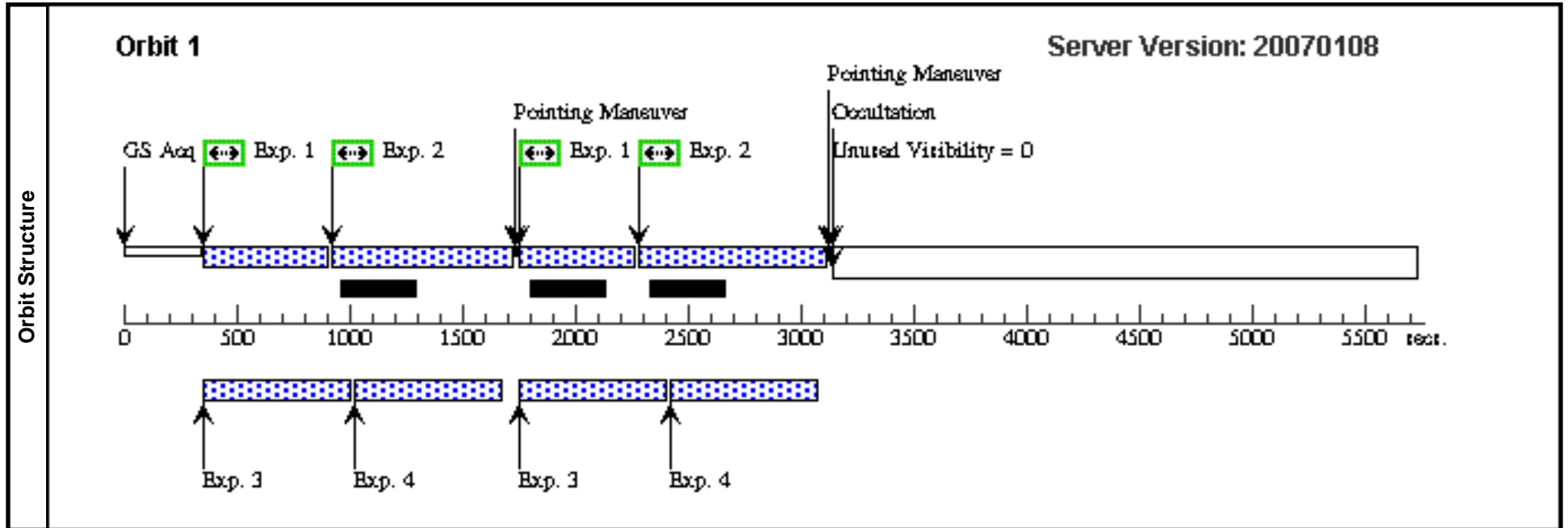


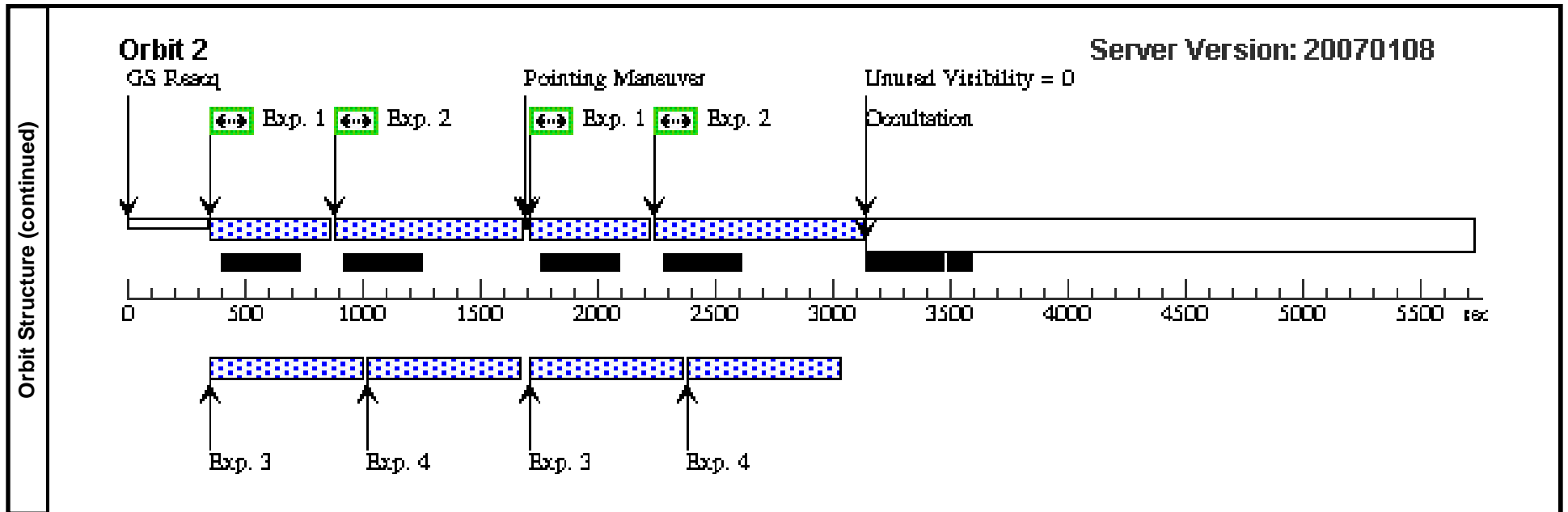


Proposal 10861 - Visit 71 - An ACS Treasury Survey of the Coma cluster of galaxies

Fri Jan 26 02:18:15 GMT 2007

Visit		Proposal 10861, Visit 71, scheduling Diagnostic Status: No Diagnostics Scientific Instruments: ACS/WFC, NIC3 Special Requirements: ORIENT 250.0D TO 295.0 D								
Patterns	#	Primary Pattern			Secondary Pattern			Exposures		
		(1)	Pattern Type=ACS-WFC-DITHER-LINE Purpose=DITHER Number Of Points=2 Point Spacing=3.011 Line Spacing=	Coordinate Frame=POS-TARG Pattern Orientation=85.3 Angle Between Sides= Center Pattern=false	Pattern Type=LINE Purpose=DITHER Number Of Points=2 Point Spacing=0.241 Line Spacing=	Coordinate Frame=POS-TARG Pattern Orientation=22.3 Angle Between Sides= Center Pattern=false	(1-4)			
Fixed Targets	#	Name	Target Coordinates	Targ. Coord. Corrections	Fluxes	Miscellaneous				
	(71)	COMA-OUTSKIRTS-29	RA: 12 56 29.6259 (194.1234412d) Dec: +27 42 27.18 (27.70755d) Equinox: J2000		V=22.0	Reference Frame: ICRS				
Exposures	#	Label	Target	Config,Mode,Aperture	Spectral Els.	Opt. Params.	Special Reqs.	Groups	Exp. Time/[Actual Dur.]	Orbit
	1	F814	(71) COMA-OUTSK IRTS-29	ACS/WFC, ACCUM, WFC	F814W	CR-SPLIT=NO		Pattern 1-4 (1) Prime + Parallel Group 1-4	350.0 Secs [==>(Pattern 1,1)] [==>(Pattern 1,2)] [==>(Pattern 2,1)] [==>(Pattern 2,2)]	[1] [2]
	2	F475	(71) COMA-OUTSK IRTS-29	ACS/WFC, ACCUM, WFC	F475W	CR-SPLIT=NO		Pattern 1-4 (1) Prime + Parallel Group 1-4	640.0 Secs [==>(Pattern 1,1)] [==>665.0 Secs (Pattern 1,2)] [==>(Pattern 2,1)] [==>732.0 Secs (Pattern 2,2)]	[1] [2]
	3	NICMOS H	ANY	NIC3, MULTIACCUM, NIC3	F160W	SAMP-SEQ=SPARS 128; NSAMP=7		Pattern 1-4 (1) Prime + Parallel Group 1-4	[==>(Pattern 1,1)] [==>(Pattern 1,2)] [==>(Pattern 2,1)] [==>(Pattern 2,2)]	[1] [2]
	4	NICMOS J	ANY	NIC3, MULTIACCUM, NIC3-FIX	F110W	SAMP-SEQ=SPARS 128; NSAMP=7		Pattern 1-4 (1) Prime + Parallel Group 1-4	[==>(Pattern 1,1)] [==>(Pattern 1,2)] [==>(Pattern 2,1)] [==>(Pattern 2,2)]	[1] [2]

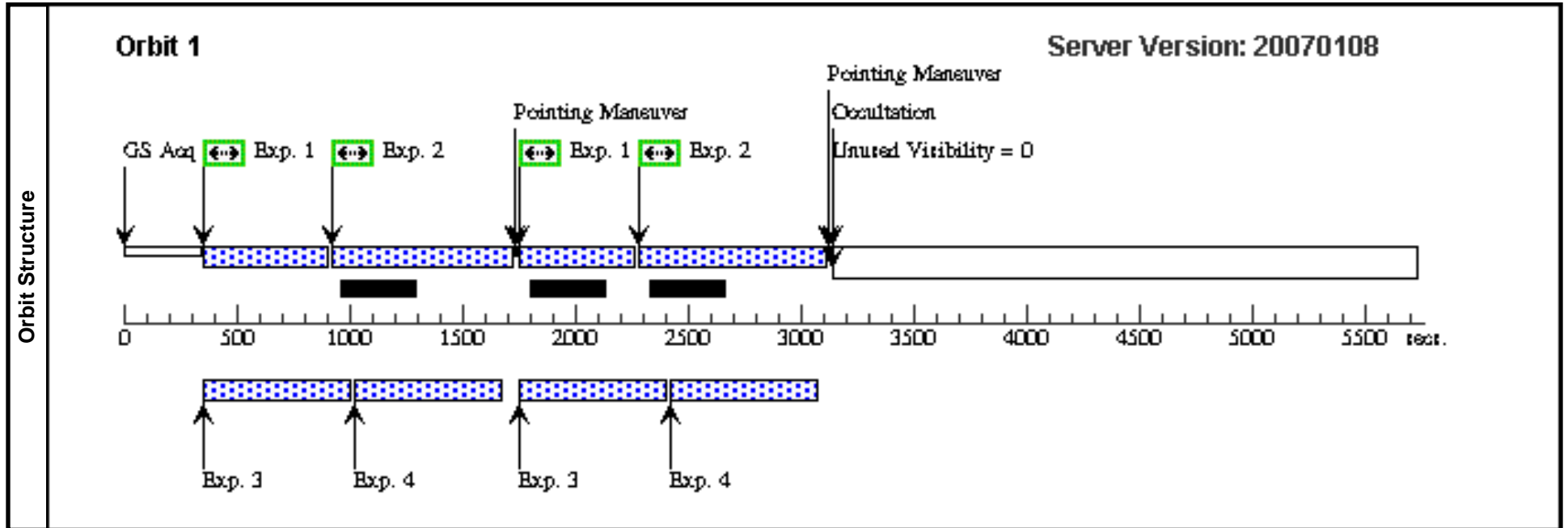


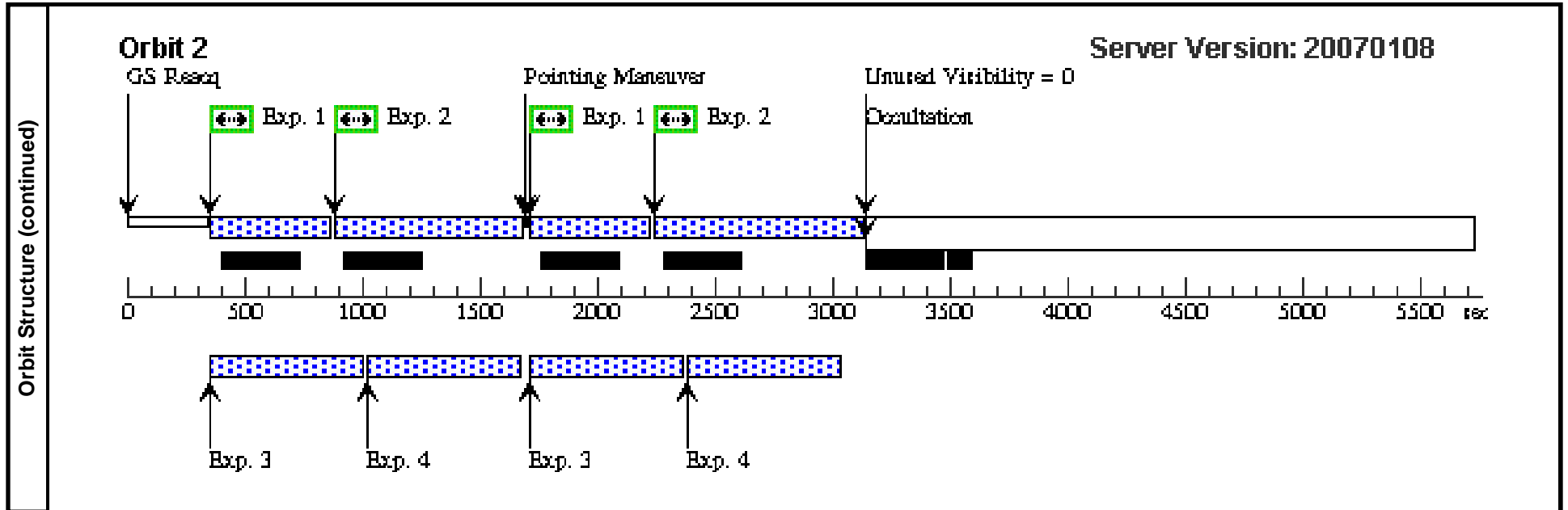


Proposal 10861 - Visit 72 - An ACS Treasury Survey of the Coma cluster of galaxies

Fri Jan 26 02:18:16 GMT 2007

Visit	Proposal 10861, Visit 72, scheduling Diagnostic Status: No Diagnostics Scientific Instruments: ACS/WFC, NIC3 Special Requirements: ORIENT 284.0D TO 286.0 D									
	Patterns	#	Primary Pattern			Secondary Pattern			Exposures	
		(1)	Pattern Type=ACS-WFC-DITHER-LINE Purpose=DITHER Number Of Points=2 Point Spacing=3.011 Line Spacing=	Coordinate Frame=POS-TARG Pattern Orientation=85.3 Angle Between Sides= Center Pattern=false	Pattern Type=LINE Purpose=DITHER Number Of Points=2 Point Spacing=0.241 Line Spacing=	Coordinate Frame=POS-TARG Pattern Orientation=22.3 Angle Between Sides= Center Pattern=false	(1-4)			
Fixed Targets	#	Name	Target Coordinates	Targ. Coord. Corrections	Fluxes	Miscellaneous				
	(72)	COMA-OUTSKIRTS-30	RA: 12 55 38.5747 (193.9107279d) Dec: +27 44 39.91 (27.74442d) Equinox: J2000		V=22.0	Reference Frame: ICRS				
Exposures	#	Label	Target	Config,Mode,Aperture	Spectral Els.	Opt. Params.	Special Reqs.	Groups	Exp. Time/[Actual Dur.]	Orbit
	1	F814	(72) COMA-OUTSK IRTS-30	ACS/WFC, ACCUM, WFC	F814W	CR-SPLIT=NO		Pattern 1-4 (1) Prime + Parallel Group 1-4	350.0 Secs [==>(Pattern 1,1)] [==>(Pattern 1,2)] [==>(Pattern 2,1)] [==>(Pattern 2,2)]	[1] [2]
	2	F475	(72) COMA-OUTSK IRTS-30	ACS/WFC, ACCUM, WFC	F475W	CR-SPLIT=NO		Pattern 1-4 (1) Prime + Parallel Group 1-4	640.0 Secs [==>(Pattern 1,1)] [==>665.0 Secs (Pattern 1,2)] [==>(Pattern 2,1)] [==>732.0 Secs (Pattern 2,2)]	[1] [2]
	3	NICMOS H	ANY	NIC3, MULTIACCUM, NIC3	F160W	SAMP-SEQ=SPARS 128; NSAMP=7		Pattern 1-4 (1) Prime + Parallel Group 1-4	[==>(Pattern 1,1)] [==>(Pattern 1,2)] [==>(Pattern 2,1)] [==>(Pattern 2,2)]	[1] [2]
	4	NICMOS J	ANY	NIC3, MULTIACCUM, NIC3-FIX	F110W	SAMP-SEQ=SPARS 128; NSAMP=7		Pattern 1-4 (1) Prime + Parallel Group 1-4	[==>(Pattern 1,1)] [==>(Pattern 1,2)] [==>(Pattern 2,1)] [==>(Pattern 2,2)]	[1] [2]

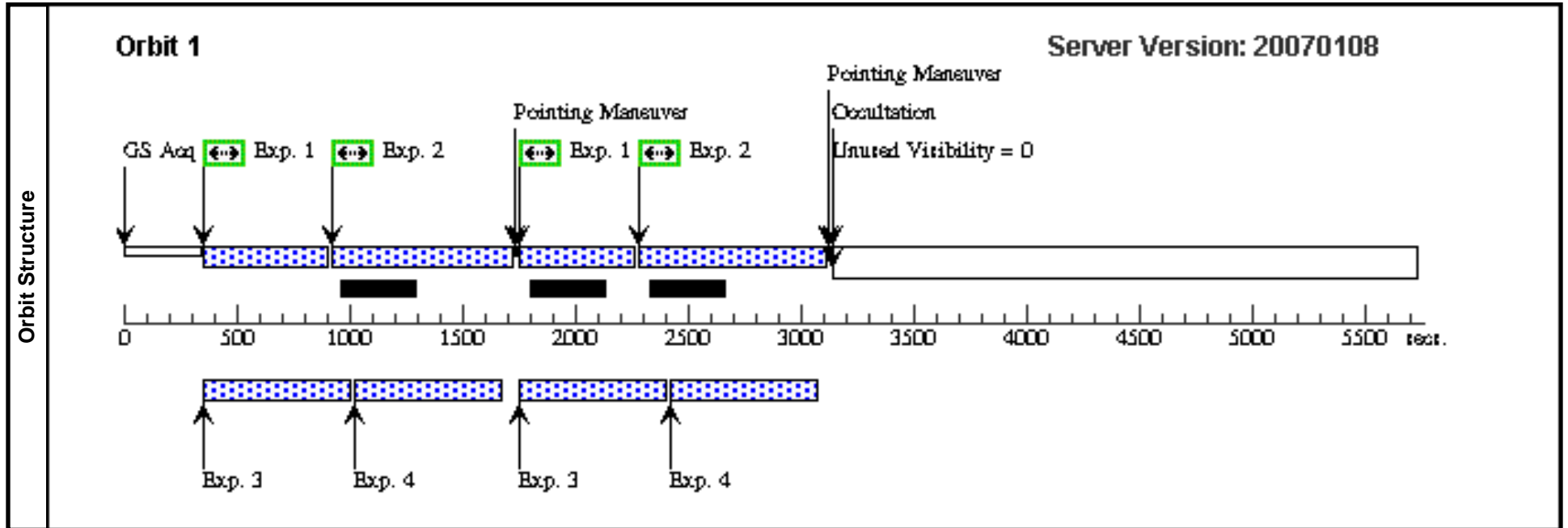


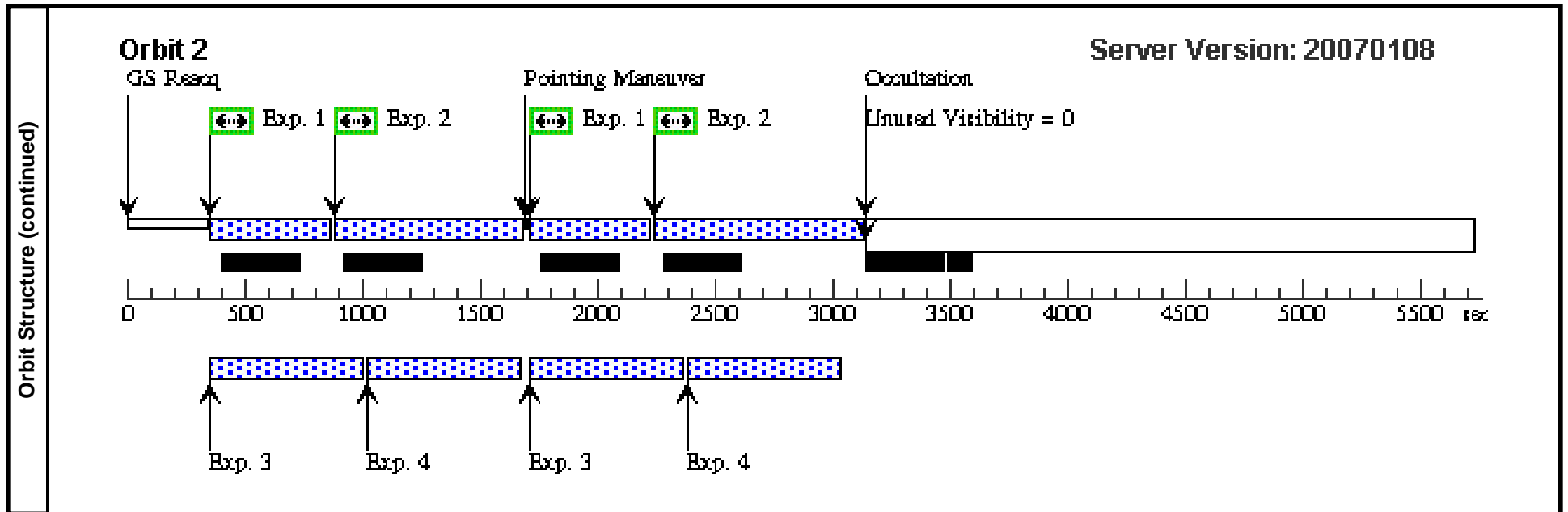


Proposal 10861 - Visit 73 - An ACS Treasury Survey of the Coma cluster of galaxies

Fri Jan 26 02:18:17 GMT 2007

Visit	Proposal 10861, Visit 73, scheduling Diagnostic Status: No Diagnostics Scientific Instruments: ACS/WFC, NIC3 Special Requirements: ORIENT 225.0D TO 235.0 D									
	Patterns	#	Primary Pattern			Secondary Pattern			Exposures	
		(1)	Pattern Type=ACS-WFC-DITHER-LINE Purpose=DITHER Number Of Points=2 Point Spacing=3.011 Line Spacing=	Coordinate Frame=POS-TARG Pattern Orientation=85.3 Angle Between Sides= Center Pattern=false	Pattern Type=LINE Purpose=DITHER Number Of Points=2 Point Spacing=0.241 Line Spacing=	Coordinate Frame=POS-TARG Pattern Orientation=22.3 Angle Between Sides= Center Pattern=false	(1-4)			
Fixed Targets	#	Name	Target Coordinates	Targ. Coord. Corrections	Fluxes	Miscellaneous				
	(73)	COMA-OUTSKIRTS-31	RA: 12 57 3.9479 (194.2664496d) Dec: +27 45 6.36 (27.75177d) Equinox: J2000		V=22.0	Reference Frame: ICRS				
Exposures	#	Label	Target	Config,Mode,Aperture	Spectral Els.	Opt. Params.	Special Reqs.	Groups	Exp. Time/[Actual Dur.]	Orbit
	1	F814	(73) COMA-OUTSK IRTS-31	ACS/WFC, ACCUM, WFC	F814W	CR-SPLIT=NO		Pattern 1-4 (1) Prime + Parallel Group 1-4	350.0 Secs [==>(Pattern 1,1)] [==>(Pattern 1,2)] [==>(Pattern 2,1)] [==>(Pattern 2,2)]	[1] [2]
	2	F475	(73) COMA-OUTSK IRTS-31	ACS/WFC, ACCUM, WFC	F475W	CR-SPLIT=NO		Pattern 1-4 (1) Prime + Parallel Group 1-4	640.0 Secs [==>(Pattern 1,1)] [==>665.0 Secs (Pattern 1,2)] [==>(Pattern 2,1)] [==>732.0 Secs (Pattern 2,2)]	[1] [2]
	3	NICMOS H	ANY	NIC3, MULTIACCUM, NIC3	F160W	SAMP-SEQ=SPARS 128; NSAMP=7		Pattern 1-4 (1) Prime + Parallel Group 1-4	[==>(Pattern 1,1)] [==>(Pattern 1,2)] [==>(Pattern 2,1)] [==>(Pattern 2,2)]	[1] [2]
	4	NICMOS J	ANY	NIC3, MULTIACCUM, NIC3-FIX	F110W	SAMP-SEQ=SPARS 128; NSAMP=7		Pattern 1-4 (1) Prime + Parallel Group 1-4	[==>(Pattern 1,1)] [==>(Pattern 1,2)] [==>(Pattern 2,1)] [==>(Pattern 2,2)]	[1] [2]

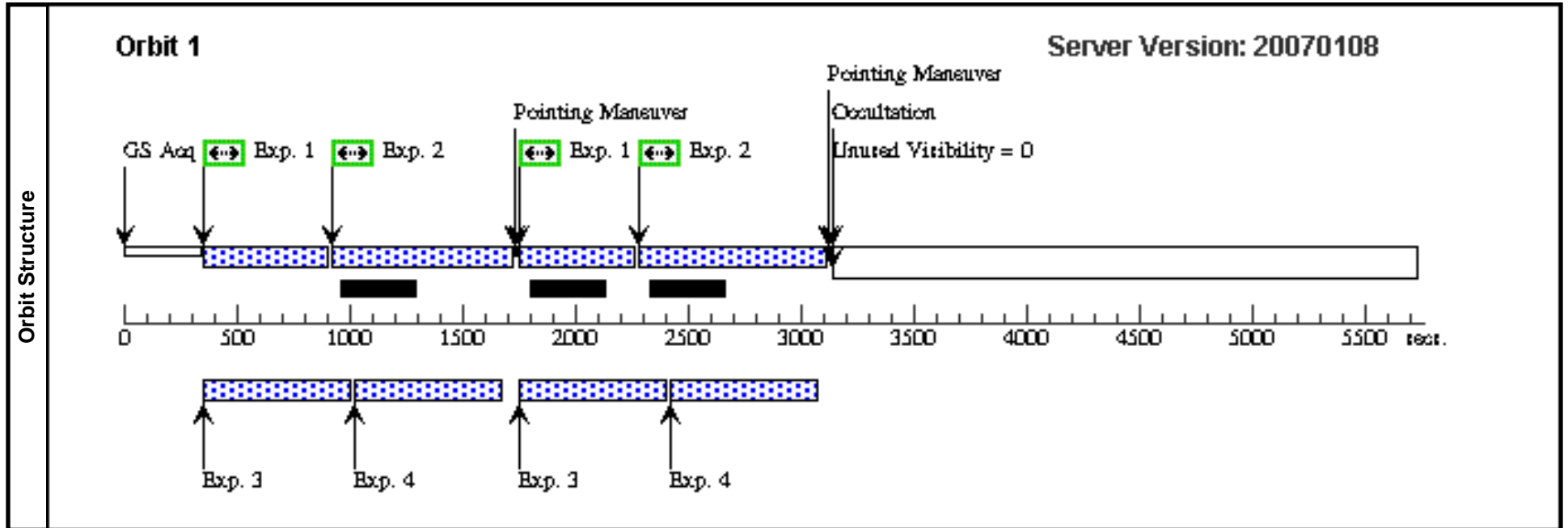


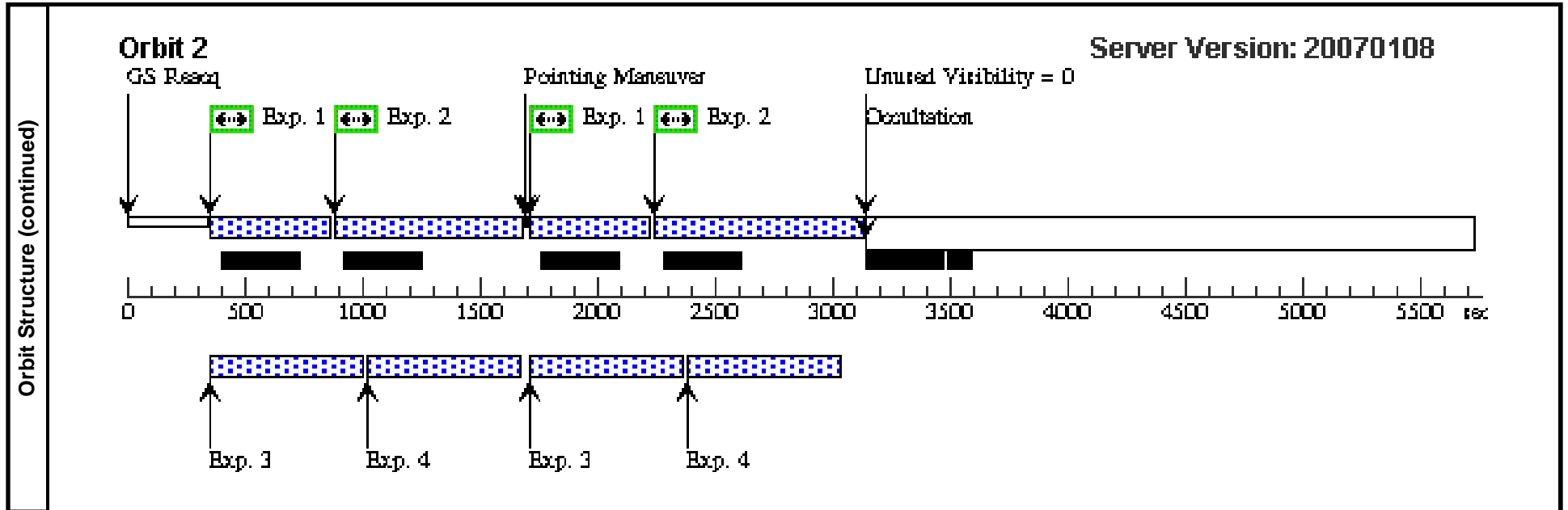


Proposal 10861 - Visit 74 - An ACS Treasury Survey of the Coma cluster of galaxies

Fri Jan 26 02:18:17 GMT 2007

Visit	Proposal 10861, Visit 74, scheduling Diagnostic Status: No Diagnostics Scientific Instruments: ACS/WFC, NIC3 Special Requirements: ORIENT 245.0D TO 255.0 D									
	Patterns	#	Primary Pattern			Secondary Pattern			Exposures	
		(1)	Pattern Type=ACS-WFC-DITHER-LINE Purpose=DITHER Number Of Points=2 Point Spacing=3.011 Line Spacing=	Coordinate Frame=POS-TARG Pattern Orientation=85.3 Angle Between Sides= Center Pattern=false	Pattern Type=LINE Purpose=DITHER Number Of Points=2 Point Spacing=0.241 Line Spacing=	Coordinate Frame=POS-TARG Pattern Orientation=22.3 Angle Between Sides= Center Pattern=false	(1-4)			
Fixed Targets	#	Name	Target Coordinates	Targ. Coord. Corrections	Fluxes	Miscellaneous				
	(74)	COMA-OUTSKIRTS-32	RA: 12 58 25.8700 (194.6077917d) Dec: +26 54 23.20 (26.90644d) Equinox: J2000		V=22.0	Reference Frame: ICRS				
Exposures	#	Label	Target	Config,Mode,Aperture	Spectral Els.	Opt. Params.	Special Reqs.	Groups	Exp. Time/[Actual Dur.]	Orbit
	1	F814	(74) COMA-OUTSK IRTS-32	ACS/WFC, ACCUM, WFC	F814W	CR-SPLIT=NO		Pattern 1-4 (1) Prime + Parallel Group 1-4	350.0 Secs [==>(Pattern 1,1)] [==>(Pattern 1,2)] [==>(Pattern 2,1)] [==>(Pattern 2,2)]	[1] [2]
	2	F475	(74) COMA-OUTSK IRTS-32	ACS/WFC, ACCUM, WFC	F475W	CR-SPLIT=NO		Pattern 1-4 (1) Prime + Parallel Group 1-4	640.0 Secs [==>(Pattern 1,1)] [==>665.0 Secs (Pattern 1,2)] [==>(Pattern 2,1)] [==>732.0 Secs (Pattern 2,2)]	[1] [2]
	3	NICMOS H	ANY	NIC3, MULTIACCUM, NIC3	F160W	SAMP-SEQ=SPARS 128; NSAMP=7		Pattern 1-4 (1) Prime + Parallel Group 1-4	[==>(Pattern 1,1)] [==>(Pattern 1,2)] [==>(Pattern 2,1)] [==>(Pattern 2,2)]	[1] [2]
	4	NICMOS J	ANY	NIC3, MULTIACCUM, NIC3-FIX	F110W	SAMP-SEQ=SPARS 128; NSAMP=7		Pattern 1-4 (1) Prime + Parallel Group 1-4	[==>(Pattern 1,1)] [==>(Pattern 1,2)] [==>(Pattern 2,1)] [==>(Pattern 2,2)]	[1] [2]

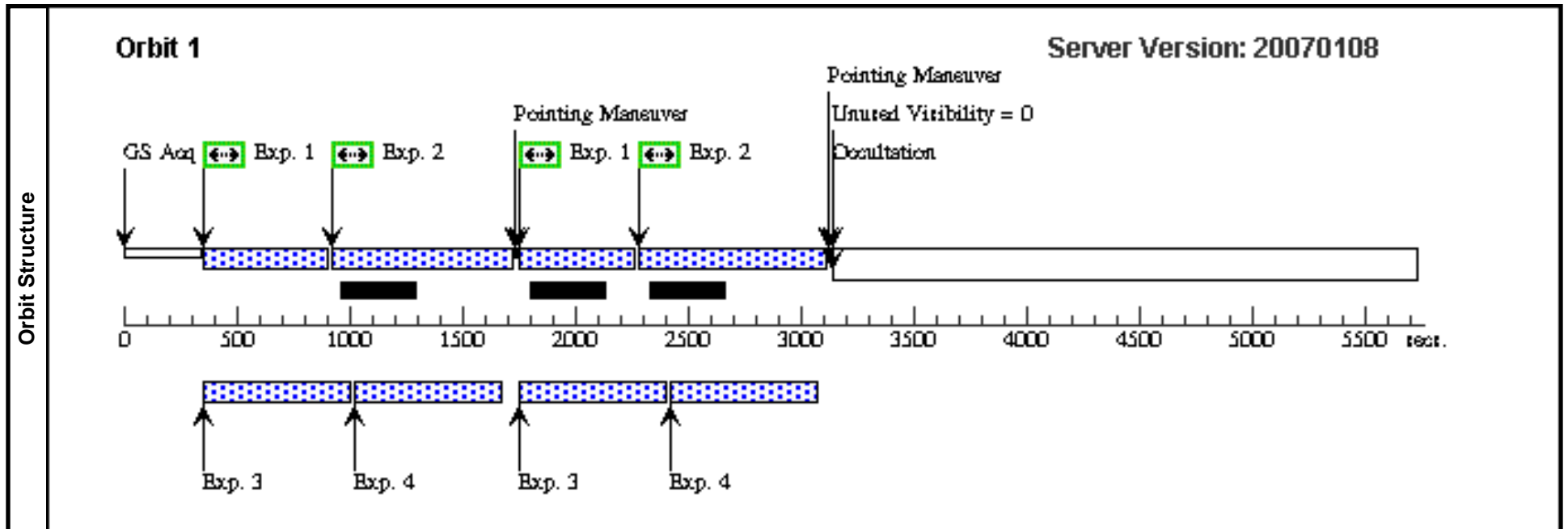


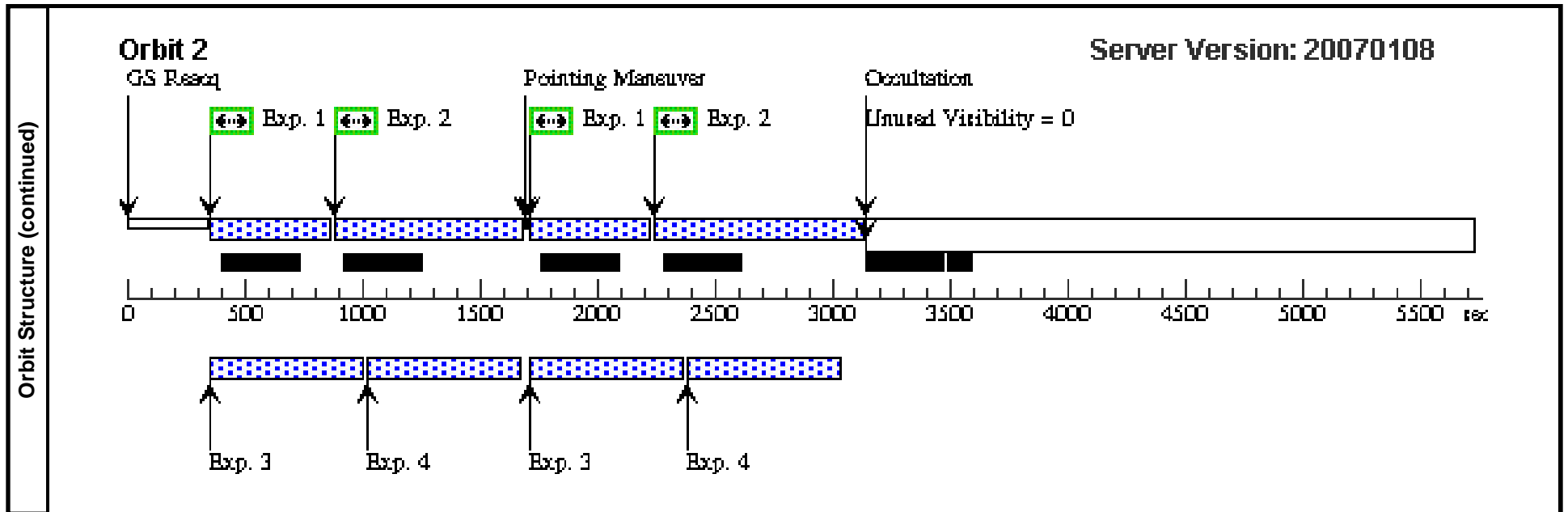


Proposal 10861 - Visit 75 - An ACS Treasury Survey of the Coma cluster of galaxies

Fri Jan 26 02:18:17 GMT 2007

Visit		Proposal 10861, Visit 75, completed Diagnostic Status: No Diagnostics Scientific Instruments: ACS/WFC, NIC3 Special Requirements: ORIENT 203.0D TO 280.0 D								
Patterns	#	Primary Pattern			Secondary Pattern			Exposures		
	(1)	Pattern Type=ACS-WFC-DITHER-LINE Purpose=DITHER Number Of Points=2 Point Spacing=3.011 Line Spacing=	Coordinate Frame=POS-TARG Pattern Orientation=85.3 Angle Between Sides= Center Pattern=false	Pattern Type=LINE Purpose=DITHER Number Of Points=2 Point Spacing=0.241 Line Spacing=	Coordinate Frame=POS-TARG Pattern Orientation=22.3 Angle Between Sides= Center Pattern=false	(1-4)				
Fixed Targets	#	Name	Target Coordinates	Targ. Coord. Corrections	Fluxes	Miscellaneous				
	(75)	COMA7-7	RA: 12 58 47.7500 (194.6989583d) Dec: +27 46 12.67 (27.77019d) Equinox: J2000		V=22.0	Reference Frame: ICRS				
Exposures	#	Label	Target	Config,Mode,Aperture	Spectral Els.	Opt. Params.	Special Reqs.	Groups	Exp. Time/[Actual Dur.]	Orbit
	1	F814	(75) COMA7-7	ACS/WFC, ACCUM, WFC	F814W	CR-SPLIT=NO		Pattern 1-4 (1) Prime + Parallel Group 1-4	350.0 Secs [==>(Pattern 1,1)] [==>(Pattern 1,2)] [==>(Pattern 2,1)] [==>(Pattern 2,2)]	[1] [2]
	2	F475	(75) COMA7-7	ACS/WFC, ACCUM, WFC	F475W	CR-SPLIT=NO		Pattern 1-4 (1) Prime + Parallel Group 1-4	640.0 Secs [==>(Pattern 1,1)] [==>665.0 Secs (Pattern 1,2)] [==>(Pattern 2,1)] [==>732.0 Secs (Pattern 2,2)]	[1] [2]
	3	NICMOS H	ANY	NIC3, MULTIACCUM, NIC3	F160W	SAMP-SEQ=SPARS 128; NSAMP=7		Pattern 1-4 (1) Prime + Parallel Group 1-4	[==>(Pattern 1,1)] [==>(Pattern 1,2)] [==>(Pattern 2,1)] [==>(Pattern 2,2)]	[1] [2]
	4	NICMOS J	ANY	NIC3, MULTIACCUM, NIC3-FIX	F110W	SAMP-SEQ=SPARS 128; NSAMP=7		Pattern 1-4 (1) Prime + Parallel Group 1-4	[==>(Pattern 1,1)] [==>(Pattern 1,2)] [==>(Pattern 2,1)] [==>(Pattern 2,2)]	[1] [2]

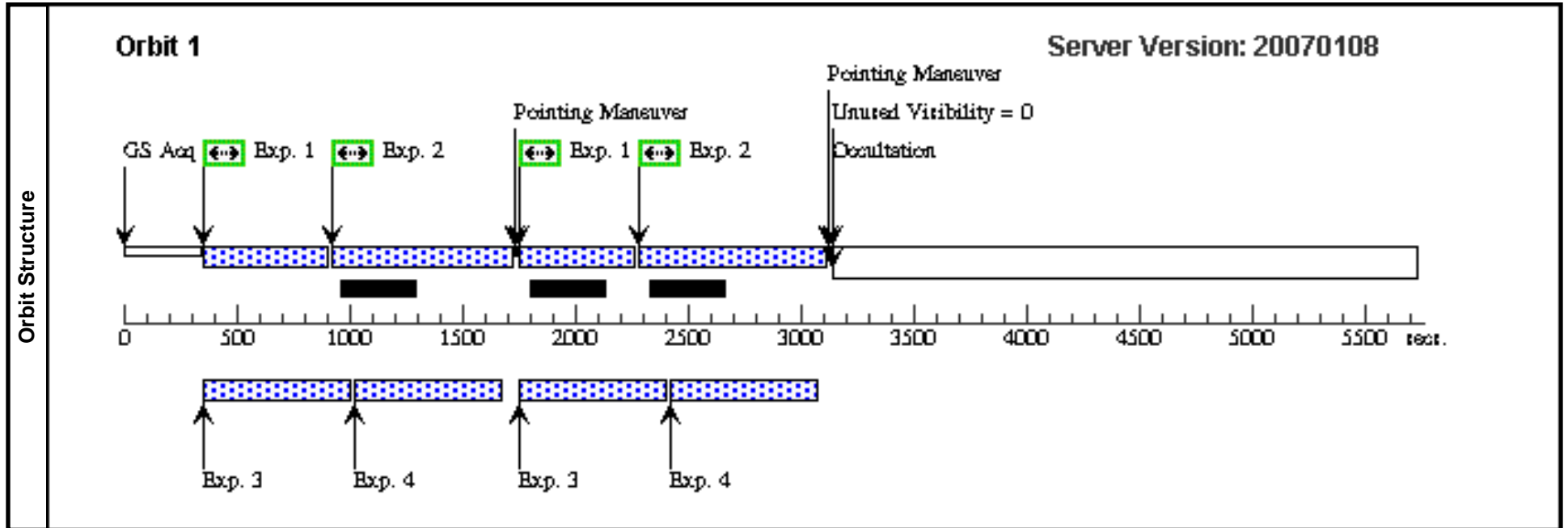


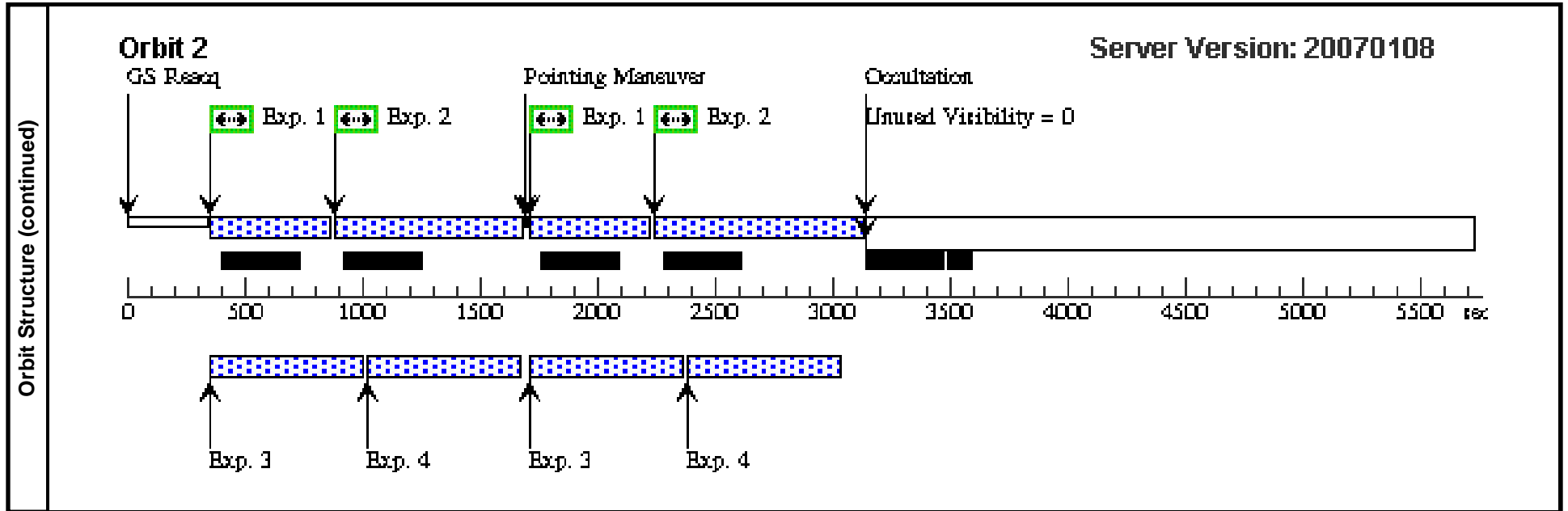


Proposal 10861 - Visit 76 - An ACS Treasury Survey of the Coma cluster of galaxies

Fri Jan 26 02:18:18 GMT 2007

Visit	Proposal 10861, Visit 76, scheduling Diagnostic Status: No Diagnostics Scientific Instruments: ACS/WFC, NIC3 Special Requirements: (none)									
	Patterns	#	Primary Pattern			Secondary Pattern			Exposures	
		(1)	Pattern Type=ACS-WFC-DITHER-LINE Purpose=DITHER Number Of Points=2 Point Spacing=3.011 Line Spacing=	Coordinate Frame=POS-TARG Pattern Orientation=85.3 Angle Between Sides= Center Pattern=false	Pattern Type=LINE Purpose=DITHER Number Of Points=2 Point Spacing=0.241 Line Spacing=	Coordinate Frame=POS-TARG Pattern Orientation=22.3 Angle Between Sides= Center Pattern=false	(1-4)			
Fixed Targets	#	Name	Target Coordinates	Targ. Coord. Corrections	Fluxes	Miscellaneous				
	(76)	COMA-OUTSKIRTS-34	RA: 12 58 19.1300 (194.5797083d) Dec: +27 45 44.57 (27.76238d) Equinox: J2000		V=22.0	Reference Frame: ICRS				
Exposures	#	Label	Target	Config,Mode,Aperture	Spectral Els.	Opt. Params.	Special Reqs.	Groups	Exp. Time/[Actual Dur.]	Orbit
	1	F814	(76) COMA-OUTSK IRTS-34	ACS/WFC, ACCUM, WFC	F814W	CR-SPLIT=NO		Pattern 1-4 (1) Prime + Parallel Group 1-4	350.0 Secs [==>(Pattern 1,1)] [==>(Pattern 1,2)] [==>(Pattern 2,1)] [==>(Pattern 2,2)]	[1] [2]
	2	F475	(76) COMA-OUTSK IRTS-34	ACS/WFC, ACCUM, WFC	F475W	CR-SPLIT=NO		Pattern 1-4 (1) Prime + Parallel Group 1-4	640.0 Secs [==>(Pattern 1,1)] [==>665.0 Secs (Pattern 1,2)] [==>(Pattern 2,1)] [==>732.0 Secs (Pattern 2,2)]	[1] [2]
	3	NICMOS H	ANY	NIC3, MULTIACCUM, NIC3	F160W	SAMP-SEQ=SPARS 128; NSAMP=7		Pattern 1-4 (1) Prime + Parallel Group 1-4	[==>(Pattern 1,1)] [==>(Pattern 1,2)] [==>(Pattern 2,1)] [==>(Pattern 2,2)]	[1] [2]
	4	NICMOS J	ANY	NIC3, MULTIACCUM, NIC3-FIX	F110W	SAMP-SEQ=SPARS 128; NSAMP=7		Pattern 1-4 (1) Prime + Parallel Group 1-4	[==>(Pattern 1,1)] [==>(Pattern 1,2)] [==>(Pattern 2,1)] [==>(Pattern 2,2)]	[1] [2]

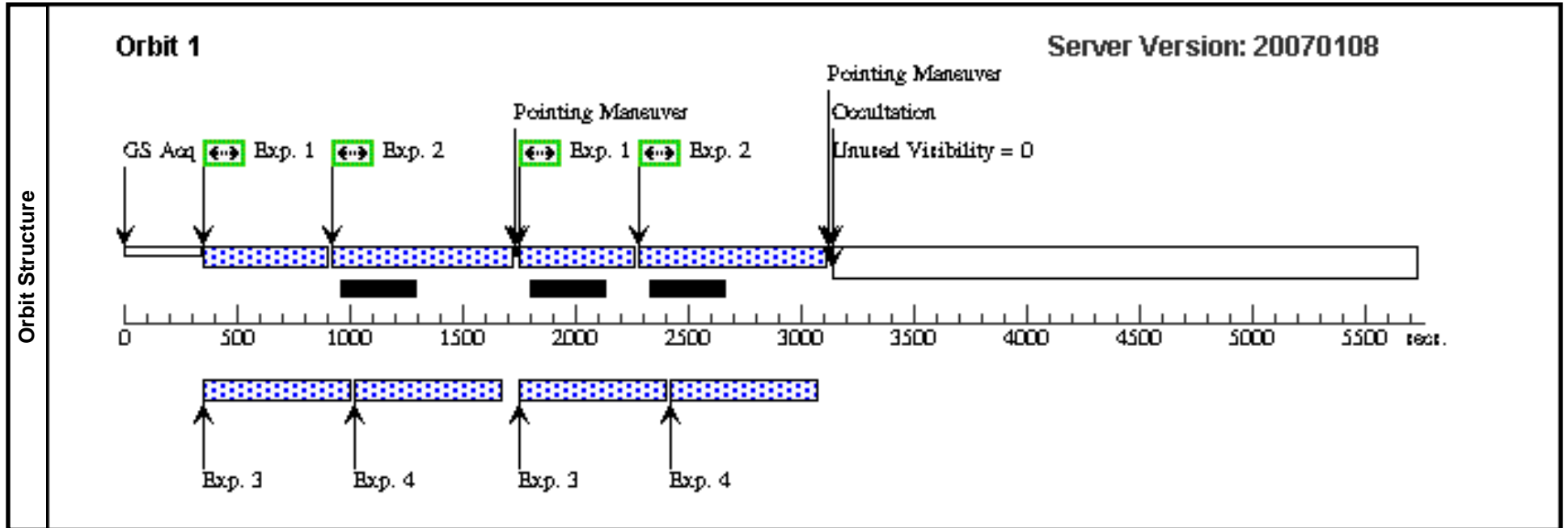


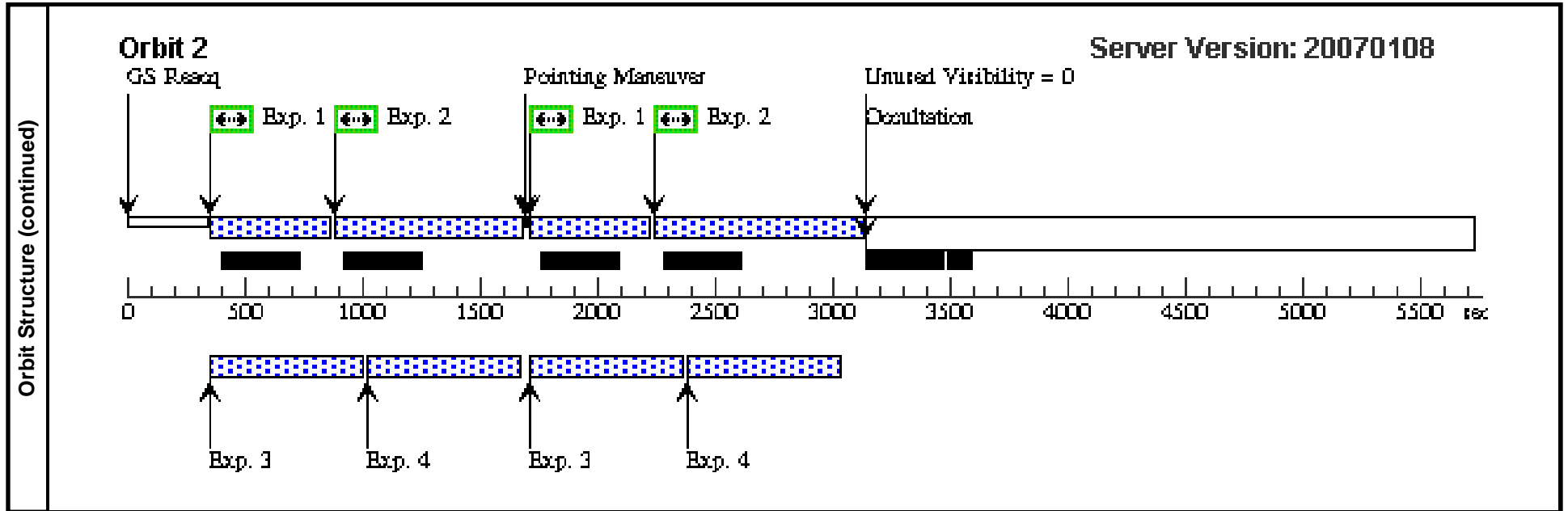


Proposal 10861 - Visit 77 - An ACS Treasury Survey of the Coma cluster of galaxies

Fri Jan 26 02:18:18 GMT 2007

Visit	Proposal 10861, Visit 77, scheduling Diagnostic Status: No Diagnostics Scientific Instruments: ACS/WFC, NIC3 Special Requirements: (none)									
	Patterns	#	Primary Pattern			Secondary Pattern			Exposures	
		(1)	Pattern Type=ACS-WFC-DITHER-LINE Purpose=DITHER Number Of Points=2 Point Spacing=3.011 Line Spacing=	Coordinate Frame=POS-TARG Pattern Orientation=85.3 Angle Between Sides= Center Pattern=false	Pattern Type=LINE Purpose=DITHER Number Of Points=2 Point Spacing=0.241 Line Spacing=	Coordinate Frame=POS-TARG Pattern Orientation=22.3 Angle Between Sides= Center Pattern=false	(1-4)			
Fixed Targets	#	Name	Target Coordinates	Targ. Coord. Corrections	Fluxes	Miscellaneous				
	(77)	COMA-OUTSKIRTS-35	RA: 12 58 3.5200 (194.5146667d) Dec: +27 40 57.76 (27.68271d) Equinox: J2000		V=22.0	Reference Frame: ICRS				
Exposures	#	Label	Target	Config,Mode,Aperture	Spectral Els.	Opt. Params.	Special Reqs.	Groups	Exp. Time/[Actual Dur.]	Orbit
	1	F814	(77) COMA-OUTSK IRTS-35	ACS/WFC, ACCUM, WFC	F814W	CR-SPLIT=NO		Pattern 1-4 (1) Prime + Parallel Group 1-4	350.0 Secs [==>(Pattern 1,1)] [==>(Pattern 1,2)] [==>(Pattern 2,1)] [==>(Pattern 2,2)]	[1] [2]
	2	F475	(77) COMA-OUTSK IRTS-35	ACS/WFC, ACCUM, WFC	F475W	CR-SPLIT=NO		Pattern 1-4 (1) Prime + Parallel Group 1-4	640.0 Secs [==>(Pattern 1,1)] [==>665.0 Secs (Pattern 1,2)] [==>(Pattern 2,1)] [==>732.0 Secs (Pattern 2,2)]	[1] [2]
	3	NICMOS H	ANY	NIC3, MULTIACCUM, NIC3	F160W	SAMP-SEQ=SPARS 128; NSAMP=7		Pattern 1-4 (1) Prime + Parallel Group 1-4	[==>(Pattern 1,1)] [==>(Pattern 1,2)] [==>(Pattern 2,1)] [==>(Pattern 2,2)]	[1] [2]
	4	NICMOS J	ANY	NIC3, MULTIACCUM, NIC3-FIX	F110W	SAMP-SEQ=SPARS 128; NSAMP=7		Pattern 1-4 (1) Prime + Parallel Group 1-4	[==>(Pattern 1,1)] [==>(Pattern 1,2)] [==>(Pattern 2,1)] [==>(Pattern 2,2)]	[1] [2]

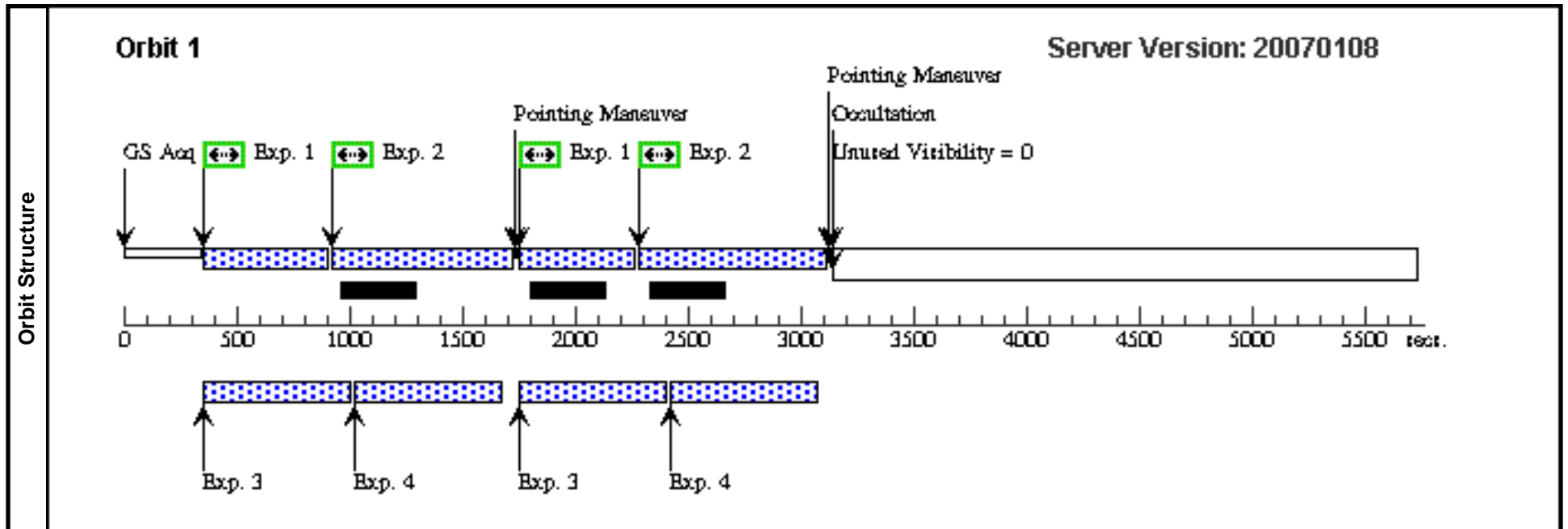


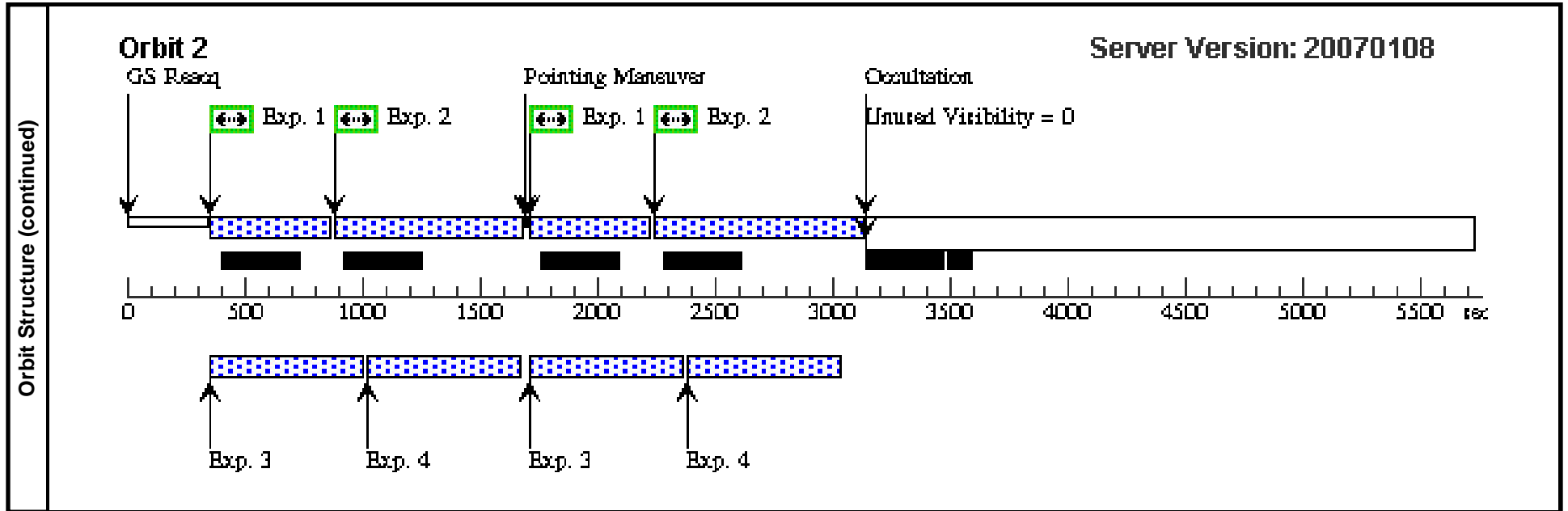


Proposal 10861 - Visit 78 - An ACS Treasury Survey of the Coma cluster of galaxies

Fri Jan 26 02:18:18 GMT 2007

Visit	Proposal 10861, Visit 78, completed Diagnostic Status: No Diagnostics Scientific Instruments: ACS/WFC, NIC3 Special Requirements: (none)									
	Patterns	#	Primary Pattern			Secondary Pattern			Exposures	
		(1)	Pattern Type=ACS-WFC-DITHER-LINE Purpose=DITHER Number Of Points=2 Point Spacing=3.011 Line Spacing=	Coordinate Frame=POS-TARG Pattern Orientation=85.3 Angle Between Sides= Center Pattern=false	Pattern Type=LINE Purpose=DITHER Number Of Points=2 Point Spacing=0.241 Line Spacing=	Coordinate Frame=POS-TARG Pattern Orientation=22.3 Angle Between Sides= Center Pattern=false	(1-4)			
Fixed Targets	#	Name	Target Coordinates	Targ. Coord. Corrections	Fluxes	Miscellaneous				
	(78)	COMA-OUTSKIRTS-36	RA: 12 57 10.8000 (194.2950000d) Dec: +27 24 18.00 (27.40500d) Equinox: J2000		V=22.0	Reference Frame: ICRS				
Exposures	#	Label	Target	Config,Mode,Aperture	Spectral Els.	Opt. Params.	Special Reqs.	Groups	Exp. Time/[Actual Dur.]	Orbit
	1	F814	(78) COMA-OUTSK IRTS-36	ACS/WFC, ACCUM, WFC	F814W	CR-SPLIT=NO		Pattern 1-4 (1) Prime + Parallel Group 1-4	350.0 Secs [==>(Pattern 1,1)] [==>(Pattern 1,2)] [==>(Pattern 2,1)] [==>(Pattern 2,2)]	[1] [2]
	2	F475	(78) COMA-OUTSK IRTS-36	ACS/WFC, ACCUM, WFC	F475W	CR-SPLIT=NO		Pattern 1-4 (1) Prime + Parallel Group 1-4	640.0 Secs [==>(Pattern 1,1)] [==>665.0 Secs (Pattern 1,2)] [==>(Pattern 2,1)] [==>732.0 Secs (Pattern 2,2)]	[1] [2]
	3	NICMOS H	ANY	NIC3, MULTIACCUM, NIC3	F160W	SAMP-SEQ=SPARS 128; NSAMP=7		Pattern 1-4 (1) Prime + Parallel Group 1-4	[==>(Pattern 1,1)] [==>(Pattern 1,2)] [==>(Pattern 2,1)] [==>(Pattern 2,2)]	[1] [2]
	4	NICMOS J	ANY	NIC3, MULTIACCUM, NIC3-FIX	F110W	SAMP-SEQ=SPARS 128; NSAMP=7		Pattern 1-4 (1) Prime + Parallel Group 1-4	[==>(Pattern 1,1)] [==>(Pattern 1,2)] [==>(Pattern 2,1)] [==>(Pattern 2,2)]	[1] [2]

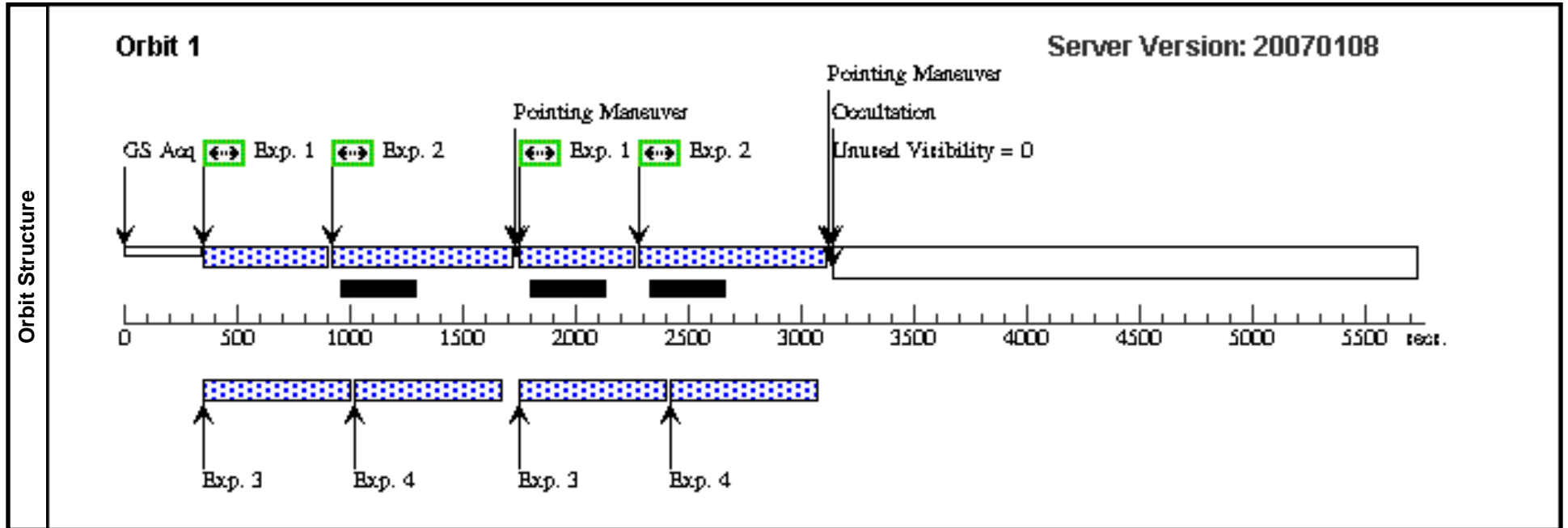


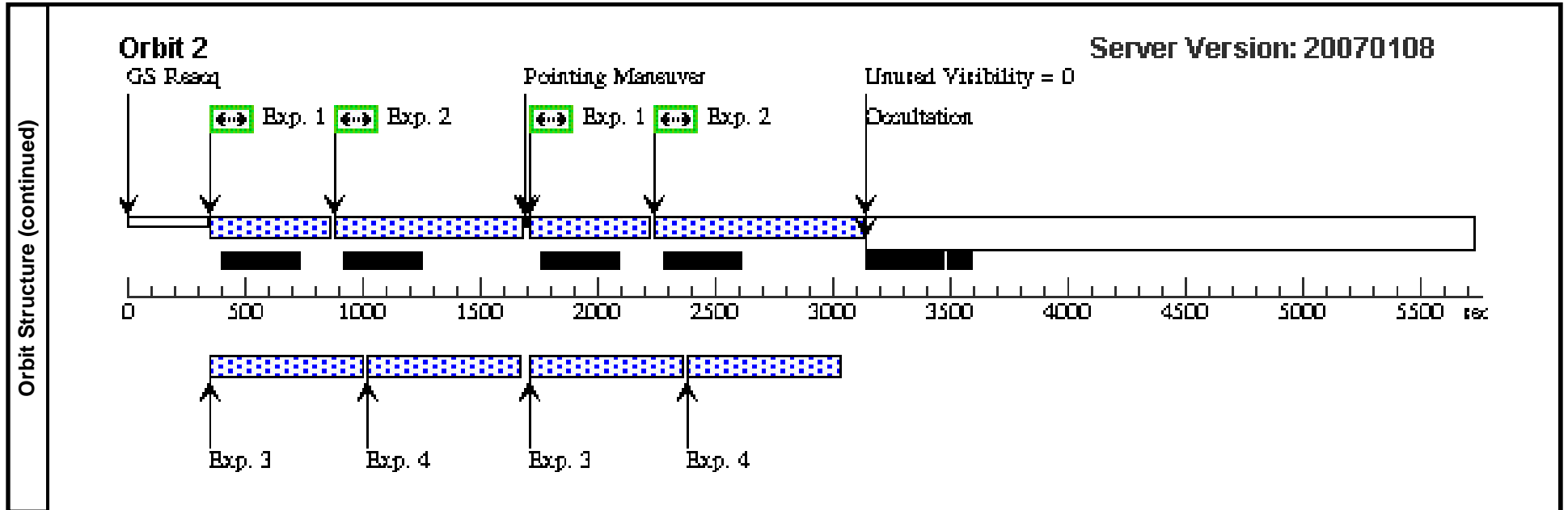


Proposal 10861 - Visit 79 - An ACS Treasury Survey of the Coma cluster of galaxies

Fri Jan 26 02:18:19 GMT 2007

Visit	Proposal 10861, Visit 79, scheduling Diagnostic Status: No Diagnostics Scientific Instruments: ACS/WFC, NIC3 Special Requirements: (none)									
	Patterns	#	Primary Pattern			Secondary Pattern			Exposures	
		(1)	Pattern Type=ACS-WFC-DITHER-LINE Purpose=DITHER Number Of Points=2 Point Spacing=3.011 Line Spacing=	Coordinate Frame=POS-TARG Pattern Orientation=85.3 Angle Between Sides= Center Pattern=false	Pattern Type=LINE Purpose=DITHER Number Of Points=2 Point Spacing=0.241 Line Spacing=	Coordinate Frame=POS-TARG Pattern Orientation=22.3 Angle Between Sides= Center Pattern=false	(1-4)			
Fixed Targets	#	Name	Target Coordinates	Targ. Coord. Corrections	Fluxes	Miscellaneous				
	(79)	COMA-OUTSKIRTS-37	RA: 12 57 50.5200 (194.4605000d) Dec: +27 38 38.82 (27.64412d) Equinox: J2000		V=22.0	Reference Frame: ICRS				
Exposures	#	Label	Target	Config,Mode,Aperture	Spectral Els.	Opt. Params.	Special Reqs.	Groups	Exp. Time/[Actual Dur.]	Orbit
	1	F814	(79) COMA-OUTSK IRTS-37	ACS/WFC, ACCUM, WFC	F814W	CR-SPLIT=NO		Pattern 1-4 (1) Prime + Parallel Group 1-4	350.0 Secs [==>(Pattern 1,1)] [==>(Pattern 1,2)] [==>(Pattern 2,1)] [==>(Pattern 2,2)]	[1] [2]
	2	F475	(79) COMA-OUTSK IRTS-37	ACS/WFC, ACCUM, WFC	F475W	CR-SPLIT=NO		Pattern 1-4 (1) Prime + Parallel Group 1-4	640.0 Secs [==>(Pattern 1,1)] [==>665.0 Secs (Pattern 1,2)] [==>(Pattern 2,1)] [==>732.0 Secs (Pattern 2,2)]	[1] [2]
	3	NICMOS H	ANY	NIC3, MULTIACCUM, NIC3	F160W	SAMP-SEQ=SPARS 128; NSAMP=7		Pattern 1-4 (1) Prime + Parallel Group 1-4	[==>(Pattern 1,1)] [==>(Pattern 1,2)] [==>(Pattern 2,1)] [==>(Pattern 2,2)]	[1] [2]
	4	NICMOS J	ANY	NIC3, MULTIACCUM, NIC3-FIX	F110W	SAMP-SEQ=SPARS 128; NSAMP=7		Pattern 1-4 (1) Prime + Parallel Group 1-4	[==>(Pattern 1,1)] [==>(Pattern 1,2)] [==>(Pattern 2,1)] [==>(Pattern 2,2)]	[1] [2]

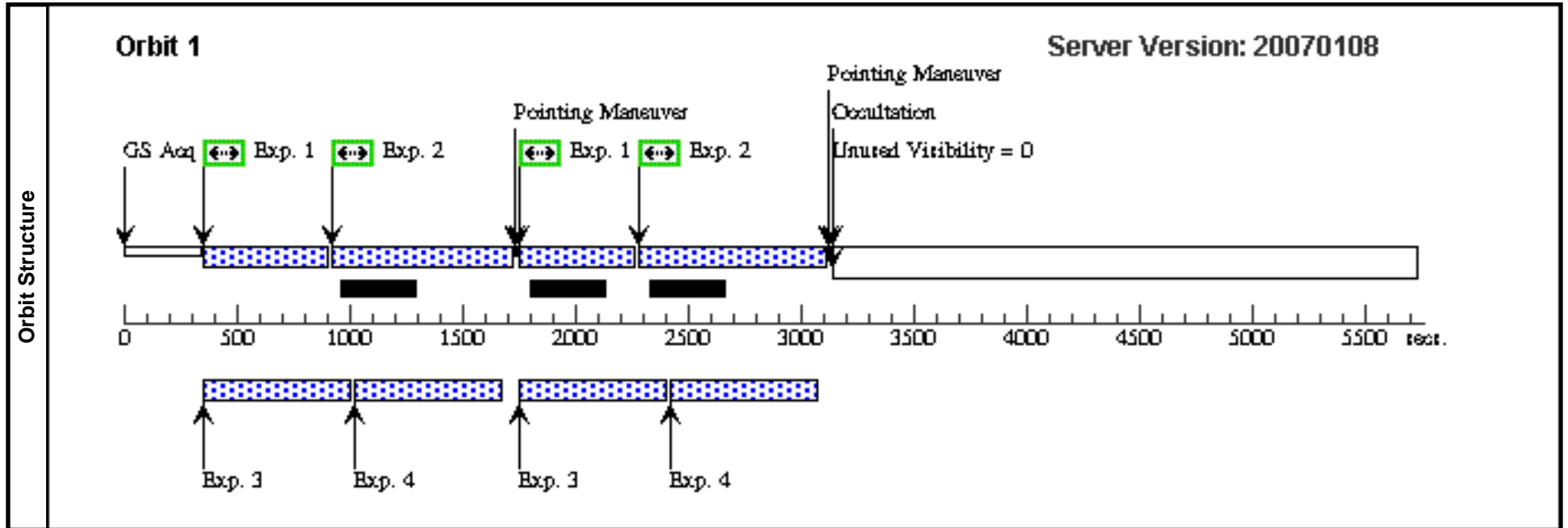


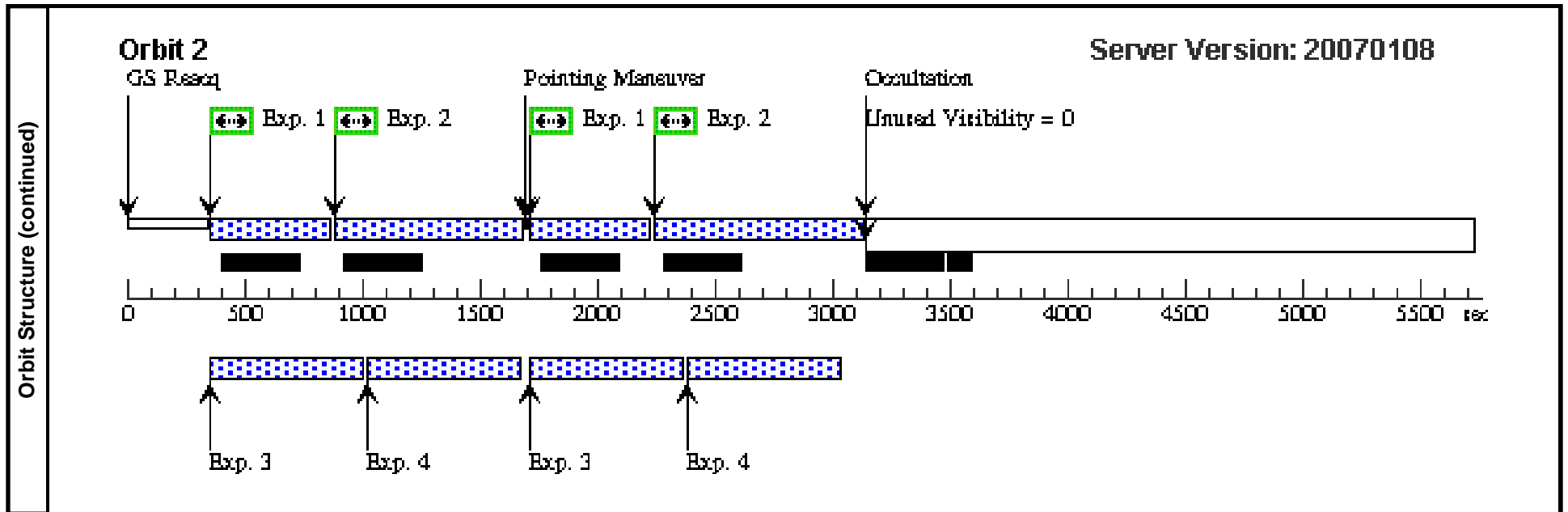


Proposal 10861 - Visit 80 - An ACS Treasury Survey of the Coma cluster of galaxies

Fri Jan 26 02:18:19 GMT 2007

Visit	Proposal 10861, Visit 80, scheduling Diagnostic Status: No Diagnostics Scientific Instruments: ACS/WFC, NIC3 Special Requirements: (none)									
	Patterns	#	Primary Pattern			Secondary Pattern			Exposures	
		(1)	Pattern Type=ACS-WFC-DITHER-LINE Purpose=DITHER Number Of Points=2 Point Spacing=3.011 Line Spacing=	Coordinate Frame=POS-TARG Pattern Orientation=85.3 Angle Between Sides= Center Pattern=false	Pattern Type=LINE Purpose=DITHER Number Of Points=2 Point Spacing=0.241 Line Spacing=	Coordinate Frame=POS-TARG Pattern Orientation=22.3 Angle Between Sides= Center Pattern=false	(1-4)			
Fixed Targets	#	Name	Target Coordinates	Targ. Coord. Corrections	Fluxes	Miscellaneous				
	(80)	COMA-OUTSKIRTS-38	RA: 12 56 4.0000 (194.0166667d) Dec: +27 09 3.00 (27.15083d) Equinox: J2000		V=22.0	Reference Frame: ICRS				
Exposures	#	Label	Target	Config,Mode,Aperture	Spectral Els.	Opt. Params.	Special Reqs.	Groups	Exp. Time/[Actual Dur.]	Orbit
	1	F814	(80) COMA-OUTSK IRTS-38	ACS/WFC, ACCUM, WFC	F814W	CR-SPLIT=NO		Pattern 1-4 (1) Prime + Parallel Group 1-4	350.0 Secs [==>(Pattern 1,1)] [==>(Pattern 1,2)] [==>(Pattern 2,1)] [==>(Pattern 2,2)]	[1] [2]
	2	F475	(80) COMA-OUTSK IRTS-38	ACS/WFC, ACCUM, WFC	F475W	CR-SPLIT=NO		Pattern 1-4 (1) Prime + Parallel Group 1-4	640.0 Secs [==>(Pattern 1,1)] [==>665.0 Secs (Pattern 1,2)] [==>(Pattern 2,1)] [==>732.0 Secs (Pattern 2,2)]	[1] [2]
	3	NICMOS H	ANY	NIC3, MULTIACCUM, NIC3	F160W	SAMP-SEQ=SPARS 128; NSAMP=7		Pattern 1-4 (1) Prime + Parallel Group 1-4	[==>(Pattern 1,1)] [==>(Pattern 1,2)] [==>(Pattern 2,1)] [==>(Pattern 2,2)]	[1] [2]
	4	NICMOS J	ANY	NIC3, MULTIACCUM, NIC3-FIX	F110W	SAMP-SEQ=SPARS 128; NSAMP=7		Pattern 1-4 (1) Prime + Parallel Group 1-4	[==>(Pattern 1,1)] [==>(Pattern 1,2)] [==>(Pattern 2,1)] [==>(Pattern 2,2)]	[1] [2]

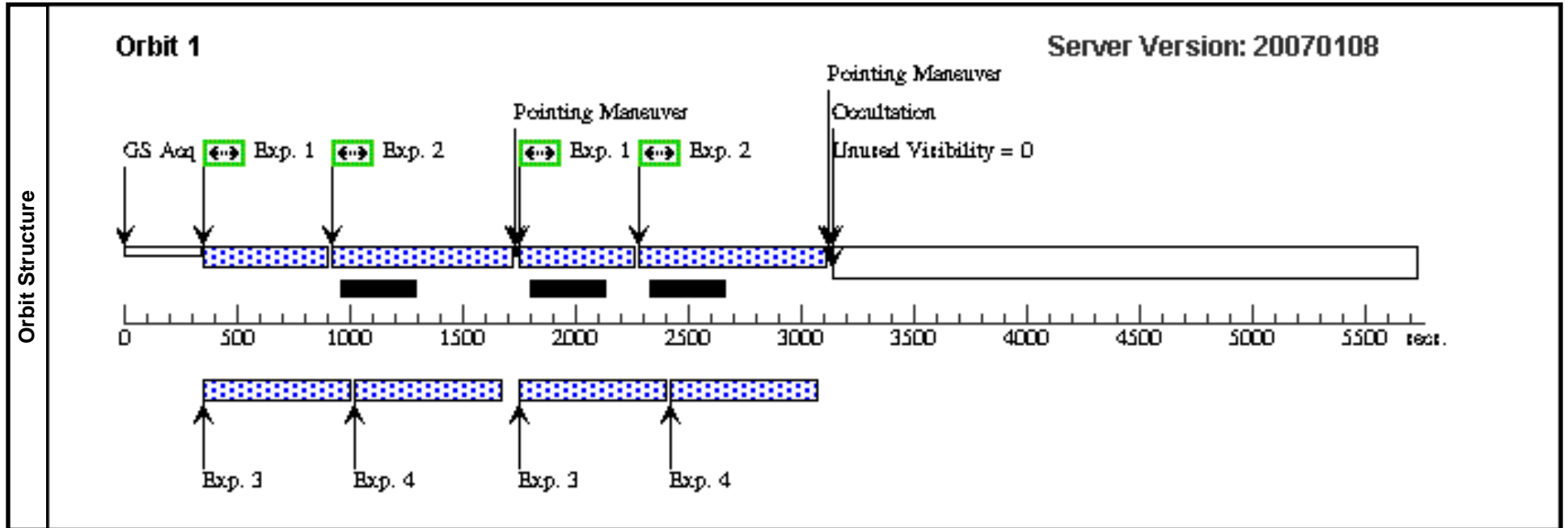


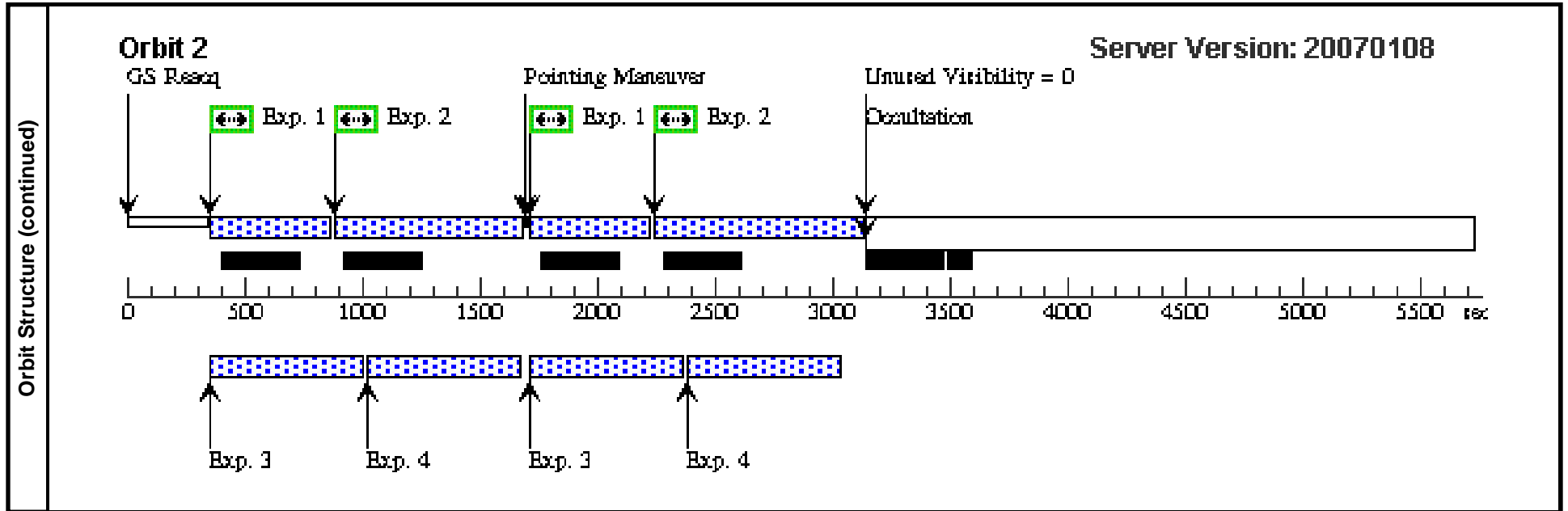


Proposal 10861 - Visit 81 - An ACS Treasury Survey of the Coma cluster of galaxies

Fri Jan 26 02:18:20 GMT 2007

Visit	Proposal 10861, Visit 81, scheduling Diagnostic Status: No Diagnostics Scientific Instruments: ACS/WFC, NIC3 Special Requirements: ORIENT 230.0D TO 230.0 D									
	Patterns	#	Primary Pattern			Secondary Pattern			Exposures	
		(1)	Pattern Type=ACS-WFC-DITHER-LINE Purpose=DITHER Number Of Points=2 Point Spacing=3.011 Line Spacing=	Coordinate Frame=POS-TARG Pattern Orientation=85.3 Angle Between Sides= Center Pattern=false	Pattern Type=LINE Purpose=DITHER Number Of Points=2 Point Spacing=0.241 Line Spacing=	Coordinate Frame=POS-TARG Pattern Orientation=22.3 Angle Between Sides= Center Pattern=false	(1-4)			
Fixed Targets	#	Name	Target Coordinates	Targ. Coord. Corrections	Fluxes	Miscellaneous				
	(81)	COMA-OUTSKIRTS-39	RA: 12 59 50.5000 (194.9604167d) Dec: +27 44 48.90 (27.74692d) Equinox: J2000		V=22.0	Reference Frame: ICRS				
Exposures	#	Label	Target	Config,Mode,Aperture	Spectral Els.	Opt. Params.	Special Reqs.	Groups	Exp. Time/[Actual Dur.]	Orbit
	1	F814	(81) COMA-OUTSK IRTS-39	ACS/WFC, ACCUM, WFC	F814W	CR-SPLIT=NO		Pattern 1-4 (1) Prime + Parallel Group 1-4	350.0 Secs [==>(Pattern 1,1)] [==>(Pattern 1,2)] [==>(Pattern 2,1)] [==>(Pattern 2,2)]	[1] [2]
	2	F475	(81) COMA-OUTSK IRTS-39	ACS/WFC, ACCUM, WFC	F475W	CR-SPLIT=NO		Pattern 1-4 (1) Prime + Parallel Group 1-4	640.0 Secs [==>(Pattern 1,1)] [==>665.0 Secs (Pattern 1,2)] [==>(Pattern 2,1)] [==>732.0 Secs (Pattern 2,2)]	[1] [2]
	3	NICMOS H	ANY	NIC3, MULTIACCUM, NIC3	F160W	SAMP-SEQ=SPARS 128; NSAMP=7		Pattern 1-4 (1) Prime + Parallel Group 1-4	[==>(Pattern 1,1)] [==>(Pattern 1,2)] [==>(Pattern 2,1)] [==>(Pattern 2,2)]	[1] [2]
	4	NICMOS J	ANY	NIC3, MULTIACCUM, NIC3-FIX	F110W	SAMP-SEQ=SPARS 128; NSAMP=7		Pattern 1-4 (1) Prime + Parallel Group 1-4	[==>(Pattern 1,1)] [==>(Pattern 1,2)] [==>(Pattern 2,1)] [==>(Pattern 2,2)]	[1] [2]

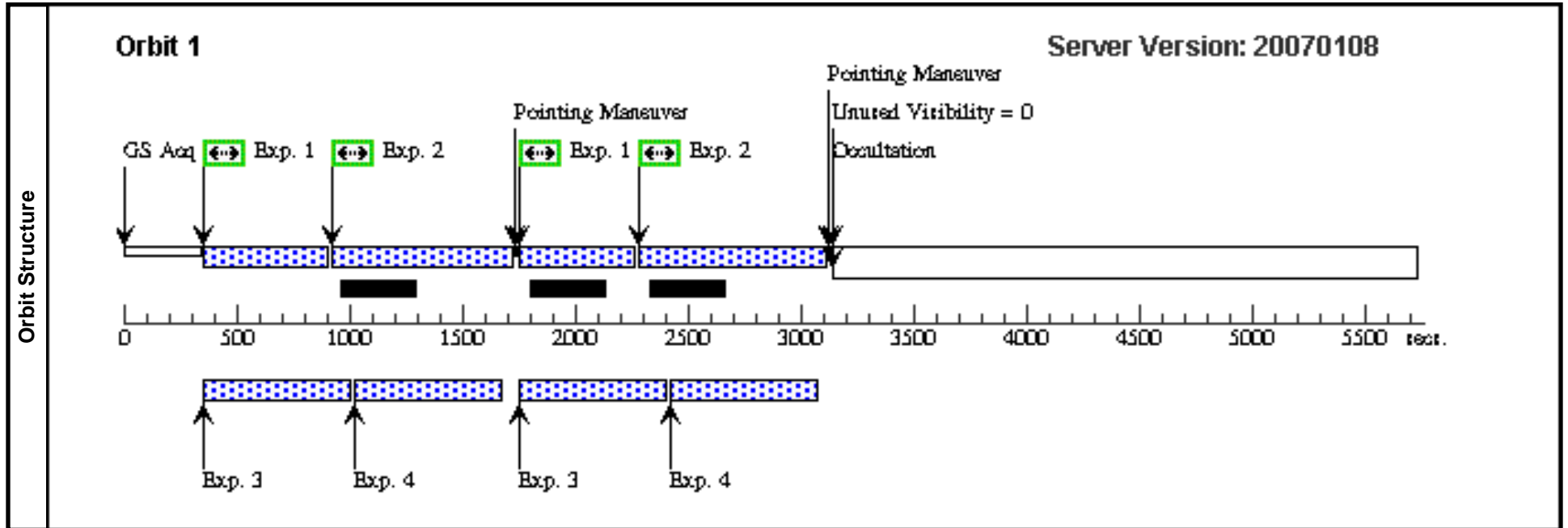


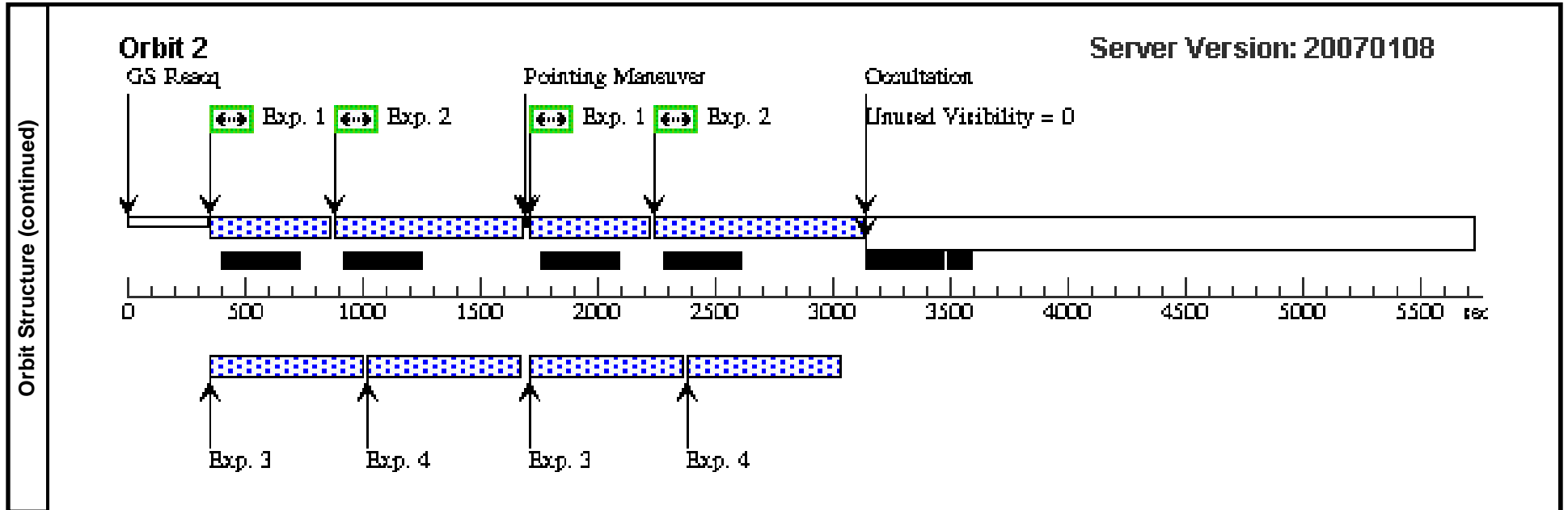


Proposal 10861 - Visit 82 - An ACS Treasury Survey of the Coma cluster of galaxies

Fri Jan 26 02:18:21 GMT 2007

Visit	Proposal 10861, Visit 82, scheduling Diagnostic Status: No Diagnostics Scientific Instruments: ACS/WFC, NIC3 Special Requirements: (none)									
	Patterns	#	Primary Pattern			Secondary Pattern			Exposures	
		(1)	Pattern Type=ACS-WFC-DITHER-LINE Purpose=DITHER Number Of Points=2 Point Spacing=3.011 Line Spacing=	Coordinate Frame=POS-TARG Pattern Orientation=85.3 Angle Between Sides= Center Pattern=false	Pattern Type=LINE Purpose=DITHER Number Of Points=2 Point Spacing=0.241 Line Spacing=	Coordinate Frame=POS-TARG Pattern Orientation=22.3 Angle Between Sides= Center Pattern=false	(1-4)			
Fixed Targets	#	Name	Target Coordinates	Targ. Coord. Corrections	Fluxes	Miscellaneous				
	(82)	COMA-OUTSKIRTS-40	RA: 12 56 14.6000 (194.0608333d) Dec: +27 30 23.23 (27.50645d) Equinox: J2000		V=22.0	Reference Frame: ICRS				
Exposures	#	Label	Target	Config,Mode,Aperture	Spectral Els.	Opt. Params.	Special Reqs.	Groups	Exp. Time/[Actual Dur.]	Orbit
	1	F814	(82) COMA-OUTSK IRTS-40	ACS/WFC, ACCUM, WFC	F814W	CR-SPLIT=NO		Pattern 1-4 (1) Prime + Parallel Group 1-4	350.0 Secs [==>(Pattern 1,1)] [==>(Pattern 1,2)] [==>(Pattern 2,1)] [==>(Pattern 2,2)]	[1] [2]
	2	F475	(82) COMA-OUTSK IRTS-40	ACS/WFC, ACCUM, WFC	F475W	CR-SPLIT=NO		Pattern 1-4 (1) Prime + Parallel Group 1-4	640.0 Secs [==>(Pattern 1,1)] [==>665.0 Secs (Pattern 1,2)] [==>(Pattern 2,1)] [==>732.0 Secs (Pattern 2,2)]	[1] [2]
	3	NICMOS H	ANY	NIC3, MULTIACCUM, NIC3	F160W	SAMP-SEQ=SPARS 128; NSAMP=7		Pattern 1-4 (1) Prime + Parallel Group 1-4	[==>(Pattern 1,1)] [==>(Pattern 1,2)] [==>(Pattern 2,1)] [==>(Pattern 2,2)]	[1] [2]
	4	NICMOS J	ANY	NIC3, MULTIACCUM, NIC3-FIX	F110W	SAMP-SEQ=SPARS 128; NSAMP=7		Pattern 1-4 (1) Prime + Parallel Group 1-4	[==>(Pattern 1,1)] [==>(Pattern 1,2)] [==>(Pattern 2,1)] [==>(Pattern 2,2)]	[1] [2]

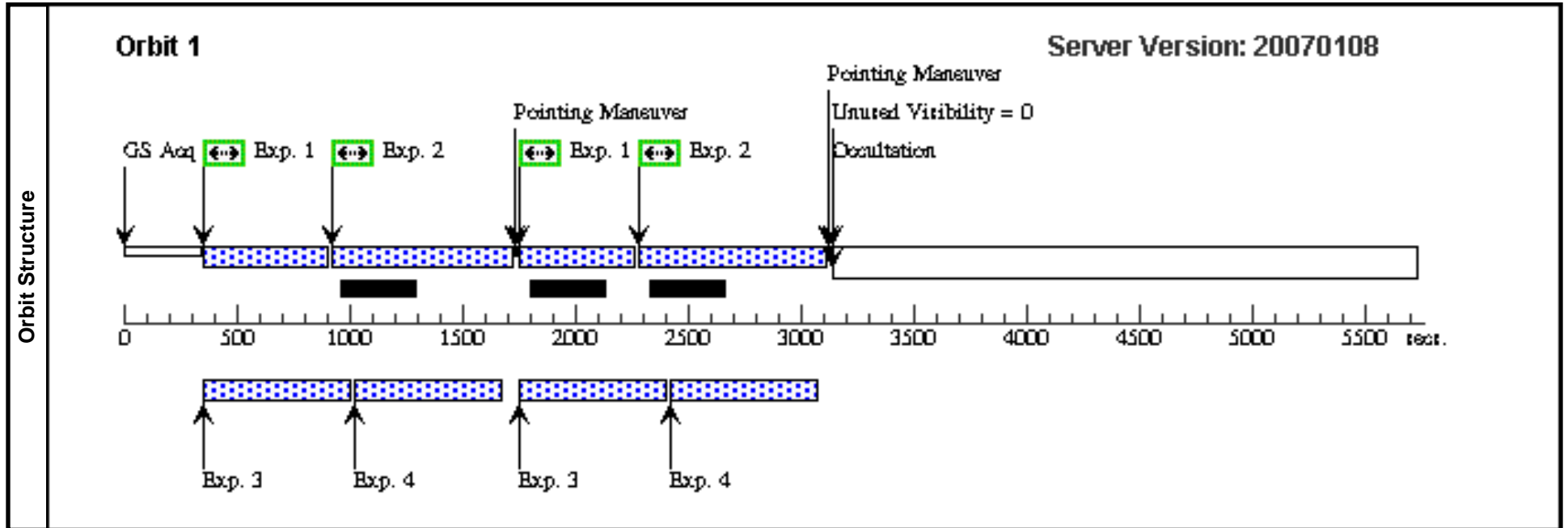


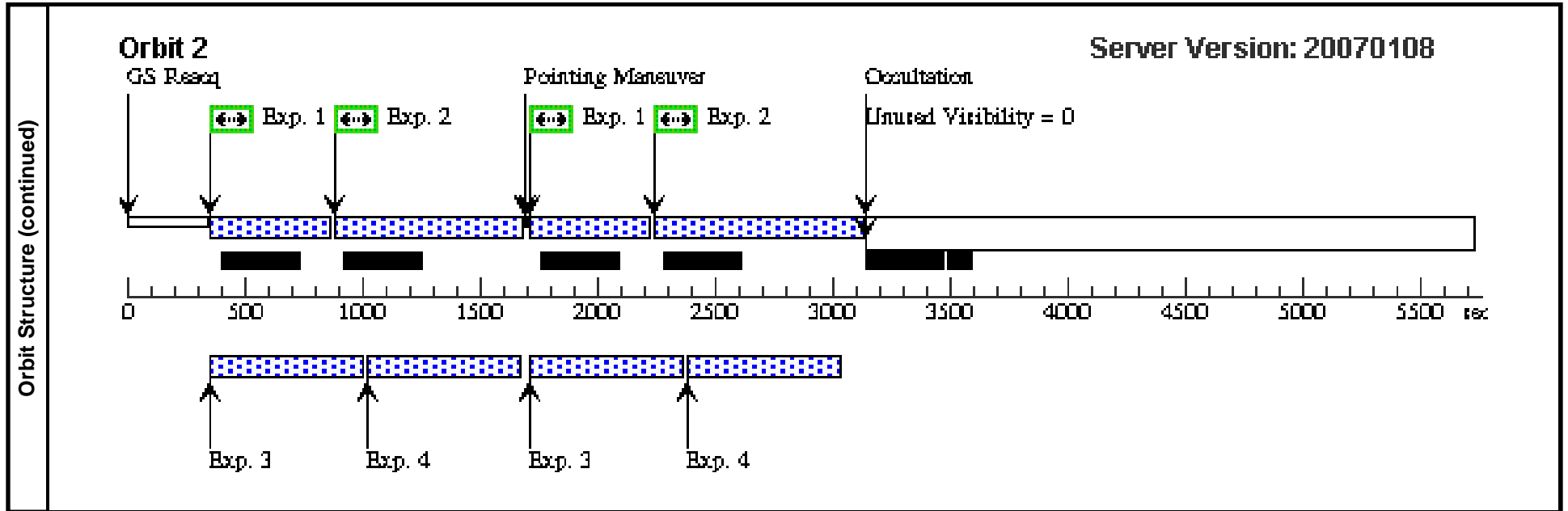


Proposal 10861 - Visit 90 - An ACS Treasury Survey of the Coma cluster of galaxies

Fri Jan 26 02:18:21 GMT 2007

Visit	Proposal 10861, Visit 90, completed Diagnostic Status: No Diagnostics Scientific Instruments: ACS/WFC, NIC3 Special Requirements: (none) Comments: Repeat of failed visit 55.									
	Patterns	#	Primary Pattern			Secondary Pattern			Exposures	
		(1)	Pattern Type=ACS-WFC-DITHER-LINE Purpose=DITHER Number Of Points=2 Point Spacing=3.011 Line Spacing=	Coordinate Frame=POS-TARG Pattern Orientation=85.3 Angle Between Sides= Center Pattern=false	Pattern Type=LINE Purpose=DITHER Number Of Points=2 Point Spacing=0.241 Line Spacing=	Coordinate Frame=POS-TARG Pattern Orientation=22.3 Angle Between Sides= Center Pattern=false	(1-4)			
Fixed Targets	#	Name	Target Coordinates	Targ. Coord. Corrections	Fluxes	Miscellaneous				
	(55)	COMA-OUTSKIRTS-13	RA: 12 57 4.2200 (194.2675833d) Dec: +27 31 34.50 (27.52625d) Equinox: J2000		V=22.0	Reference Frame: ICRS				
Exposures	#	Label	Target	Config,Mode,Aperture	Spectral Els.	Opt. Params.	Special Reqs.	Groups	Exp. Time/[Actual Dur.]	Orbit
	1	F814	(55) COMA-OUTSK IRTS-13	ACS/WFC, ACCUM, WFC	F814W	CR-SPLIT=NO		Pattern 1-4 (1) Prime + Parallel Group 1-4	350.0 Secs [=>(Pattern 1,1)] [=>(Pattern 1,2)] [=>(Pattern 2,1)] [=>(Pattern 2,2)]	[1] [2]
	2	F475	(55) COMA-OUTSK IRTS-13	ACS/WFC, ACCUM, WFC	F475W	CR-SPLIT=NO		Pattern 1-4 (1) Prime + Parallel Group 1-4	640.0 Secs [=>(Pattern 1,1)] [=>665.0 Secs (Pattern 1,2)] [=>(Pattern 2,1)] [=>732.0 Secs (Pattern 2,2)]	[1] [2]
	3	NICMOS H	ANY	NIC3, MULTIACCUM, NIC3	F160W	SAMP-SEQ=SPARS 128; NSAMP=7		Pattern 1-4 (1) Prime + Parallel Group 1-4	[=>(Pattern 1,1)] [=>(Pattern 1,2)] [=>(Pattern 2,1)] [=>(Pattern 2,2)]	[1] [2]
	4	NICMOS J	ANY	NIC3, MULTIACCUM, NIC3-FIX	F110W	SAMP-SEQ=SPARS 128; NSAMP=7		Pattern 1-4 (1) Prime + Parallel Group 1-4	[=>(Pattern 1,1)] [=>(Pattern 1,2)] [=>(Pattern 2,1)] [=>(Pattern 2,2)]	[1] [2]





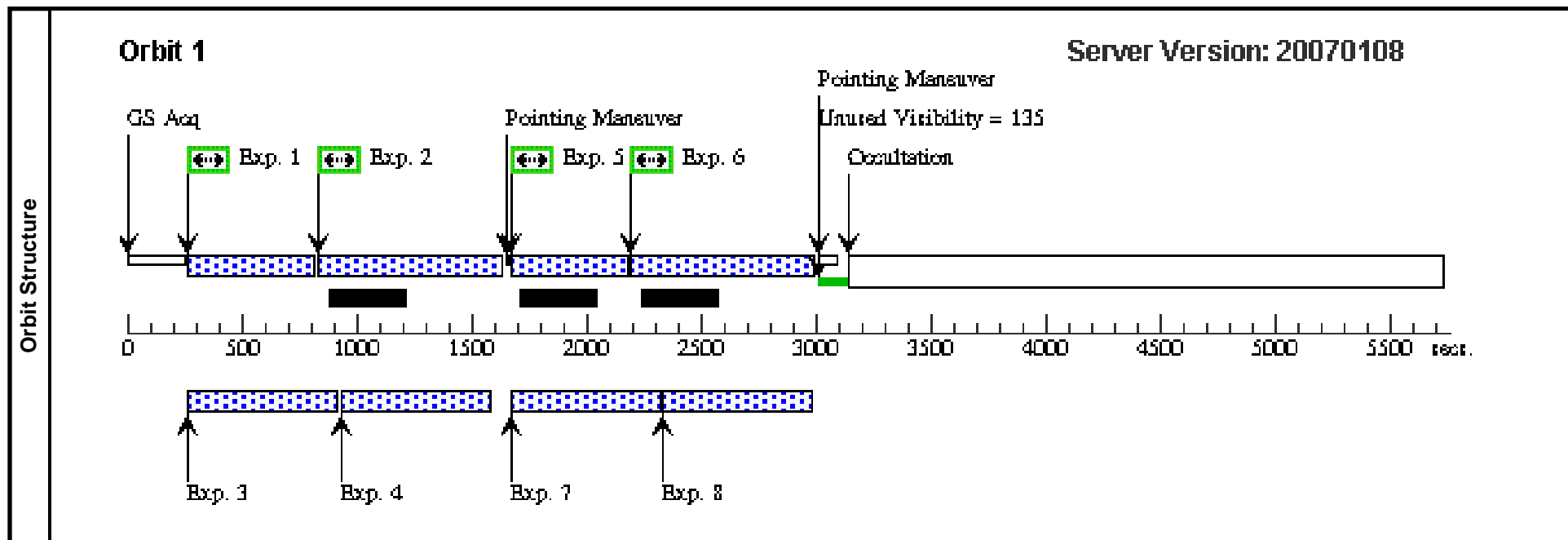
Proposal 10861 - Visit 91 - An ACS Treasury Survey of the Coma cluster of galaxies

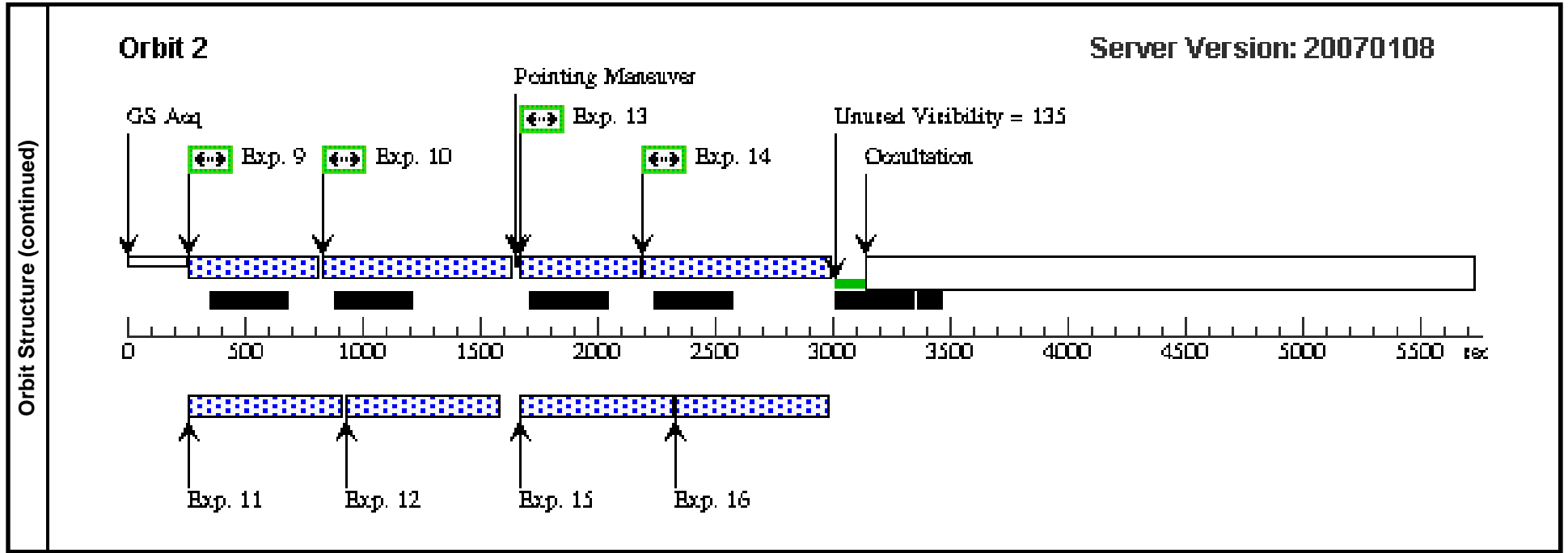
Fri Jan 26 02:18:21 GMT 2007

Visit	Proposal 10861, Visit 91, scheduling Diagnostic Status: No Diagnostics Scientific Instruments: ACS/WFC, NIC3 Special Requirements: ORIENT 282.0D TO 282.0 D Comments: Repeat of failed visit 05.									
	#	Name	Target Coordinates	Targ. Coord. Corrections	Fluxes	Miscellaneous				
Fixed Targets	(26)	COMA1-5	RA: 12 59 43.5000 (194.9312500d) Dec: +28 04 54.00 (28.08167d) Equinox: J2000		V=22.0	Reference Frame: ICRS				
Exposures	#	Label	Target	Config,Mode,Aperture	Spectral Els.	Opt. Params.	Special Reqs.	Groups	Exp. Time/[Actual Dur.]	Orbit
	1	F814	(26) COMA1-5	ACS/WFC, ACCUM, WFC	F814W	CR-SPLIT=NO	GS ACQ SCENARI O SINGLE	Sequence 1-8 Non-Int Prime + Parallel Group 1-4	350.0 Secs [==>]	[1]
	2	F475	(26) COMA1-5	ACS/WFC, ACCUM, WFC	F475W	CR-SPLIT=NO		Sequence 1-8 Non-Int Prime + Parallel Group 1-4	640.0 Secs [==>]	[1]
	3	NICMOS H	ANY	NIC3, MULTIACCUM, NIC3	F160W	SAMP-SEQ=SPARS 128; NSAMP=7		Sequence 1-8 Non-Int Prime + Parallel Group 1-4	[==>]	[1]
	4	NICMOS J	ANY	NIC3, MULTIACCUM, NIC3-FIX	F110W	SAMP-SEQ=SPARS 128; NSAMP=7		Sequence 1-8 Non-Int Prime + Parallel Group 1-4	[==>]	[1]
	5	F814	(26) COMA1-5	ACS/WFC, ACCUM, WFC	F814W	CR-SPLIT=NO	POS TARG 0.222,0. 092	Sequence 1-8 Non-Int Prime + Parallel Group 5-8	350.0 Secs [==>]	[1]
	6	F475	(26) COMA1-5	ACS/WFC, ACCUM, WFC	F475W	CR-SPLIT=NO	SAME POS AS 5	Sequence 1-8 Non-Int Prime + Parallel Group 5-8	640.0 Secs [==>]	[1]
	7	NICMOS H	ANY	NIC3, MULTIACCUM, NIC3	F160W	SAMP-SEQ=SPARS 128; NSAMP=7		Sequence 1-8 Non-Int Prime + Parallel Group 5-8	[==>]	[1]
8	NICMOS J	ANY	NIC3, MULTIACCUM, NIC3-FIX	F110W	SAMP-SEQ=SPARS 128; NSAMP=7		Sequence 1-8 Non-Int Prime + Parallel Group 5-8	[==>]	[1]	

Proposal 10861 - Visit 91 - An ACS Treasury Survey of the Coma cluster of galaxies

#	Label	Target	Config,Mode,Aperture	Spectral Els.	Opt. Params.	Special Reqs.	Groups	Exp. Time/[Actual Dur.]	Orbit	
Exposures (continued)	9	F814	(26) COMA1-5	ACS/WFC, ACCUM, WFC	F814W	CR-SPLIT=NO	POS TARG 0.247,3.001; NEW OBSET FULL ACQ; GS ACQ SCENARIO SINGLE	Sequence 9-16 Non-Int Prime + Parallel Group 9-12	350.0 Secs [==>]	[2]
	10	F475	(26) COMA1-5	ACS/WFC, ACCUM, WFC	F475W	CR-SPLIT=NO	SAME POS AS 9	Sequence 9-16 Non-Int Prime + Parallel Group 9-12	640.0 Secs [==>]	[2]
	11	NICMOS H	ANY	NIC3, MULTIACCUM, NIC3	F160W	SAMP-SEQ=SPARS 128; NSAMP=7		Sequence 9-16 Non-Int Prime + Parallel Group 9-12	[==>]	[2]
	12	NICMOS J	ANY	NIC3, MULTIACCUM, NIC3-FIX	F110W	SAMP-SEQ=SPARS 128; NSAMP=7		Sequence 9-16 Non-Int Prime + Parallel Group 9-12	[==>]	[2]
	13	F814	(26) COMA1-5	ACS/WFC, ACCUM, WFC	F814W	CR-SPLIT=NO	POS TARG 0.469,3.093	Sequence 9-16 Non-Int Prime + Parallel Group 13-16	350.0 Secs [==>]	[2]
	14	F475	(26) COMA1-5	ACS/WFC, ACCUM, WFC	F475W	CR-SPLIT=NO	SAME POS AS 13	Sequence 9-16 Non-Int Prime + Parallel Group 13-16	640.0 Secs [==>]	[2]
	15	NICMOS H	ANY	NIC3, MULTIACCUM, NIC3	F160W	SAMP-SEQ=SPARS 128; NSAMP=7		Sequence 9-16 Non-Int Prime + Parallel Group 13-16	[==>]	[2]
	16	NICMOS J	ANY	NIC3, MULTIACCUM, NIC3-FIX	F110W	SAMP-SEQ=SPARS 128; NSAMP=7		Sequence 9-16 Non-Int Prime + Parallel Group 13-16	[==>]	[2]





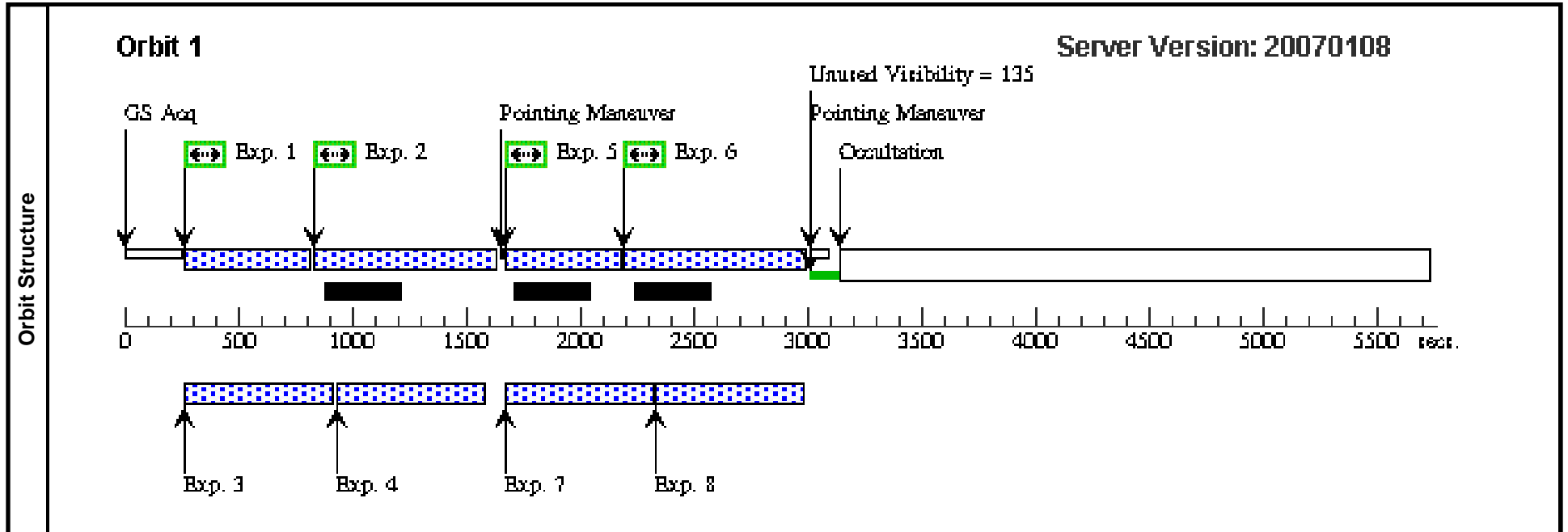
Proposal 10861 - Visit 92 - An ACS Treasury Survey of the Coma cluster of galaxies

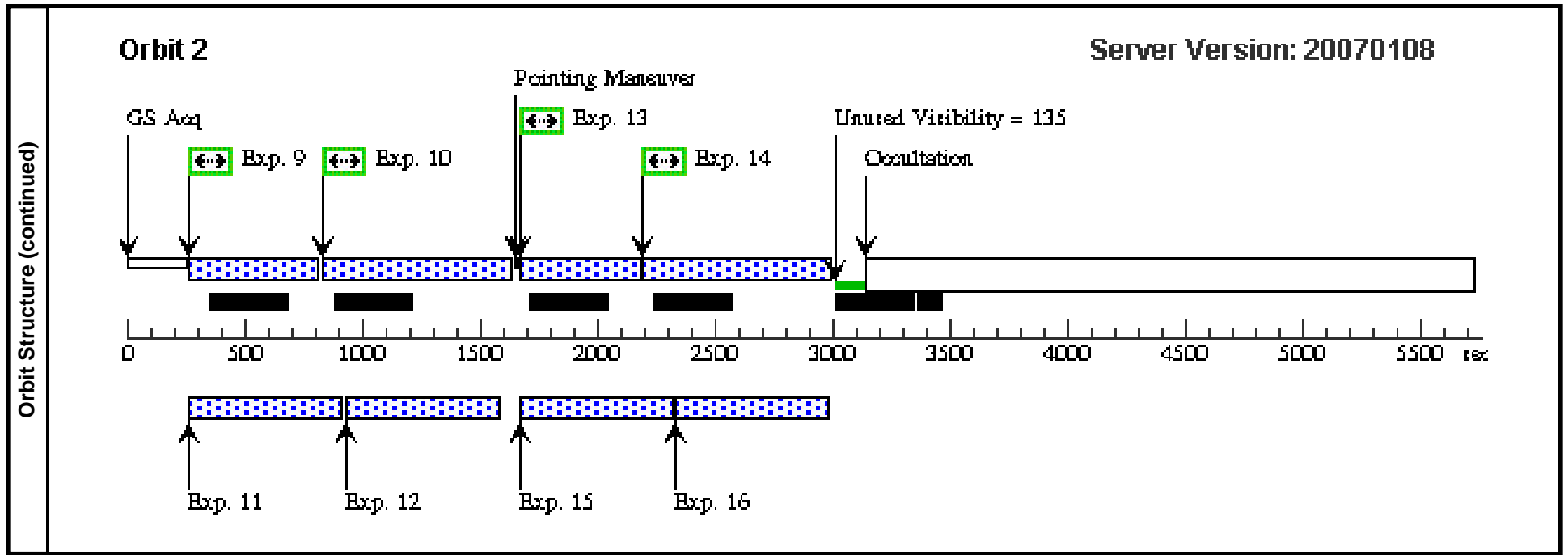
Fri Jan 26 02:18:22 GMT 2007

Visit	Proposal 10861, Visit 92, scheduling Diagnostic Status: No Diagnostics Scientific Instruments: ACS/WFC, NIC3 Special Requirements: ORIENT 282.0D TO 282.0 D Comments: Repeat of failed visit 06.									
	Fixed Targets	#	Name	Target Coordinates	Targ. Coord. Corrections	Fluxes	Miscellaneous			
	(27)	COMA7-6	RA: 12 59 6.3000 (194.7762500d) Dec: +27 45 48.00 (27.76333d) Equinox: J2000		V=22.0	Reference Frame: ICRS				
Exposures	#	Label	Target	Config,Mode,Aperture	Spectral Els.	Opt. Params.	Special Reqs.	Groups	Exp. Time/[Actual Dur.]	Orbit
	1	F814	(27) COMA7-6	ACS/WFC, ACCUM, WFC	F814W	CR-SPLIT=NO	GS ACQ SCENARI O SINGLE	Sequence 1-8 Non-Int Prime + Parallel Group 1-4	350.0 Secs [==>]	[1]
	2	F475	(27) COMA7-6	ACS/WFC, ACCUM, WFC	F475W	CR-SPLIT=NO		Sequence 1-8 Non-Int Prime + Parallel Group 1-4	640.0 Secs [==>]	[1]
	3	NICMOS H	ANY	NIC3, MULTIACCUM, NIC3	F160W	SAMP-SEQ=SPARS 128; NSAMP=7		Sequence 1-8 Non-Int Prime + Parallel Group 1-4	[==>]	[1]
	4	NICMOS J	ANY	NIC3, MULTIACCUM, NIC3-FIX	F110W	SAMP-SEQ=SPARS 128; NSAMP=7		Sequence 1-8 Non-Int Prime + Parallel Group 1-4	[==>]	[1]
	5	F814	(27) COMA7-6	ACS/WFC, ACCUM, WFC	F814W	CR-SPLIT=NO	POS TARG 0.222,0. 092	Sequence 1-8 Non-Int Prime + Parallel Group 5-8	350.0 Secs [==>]	[1]
	6	F475	(27) COMA7-6	ACS/WFC, ACCUM, WFC	F475W	CR-SPLIT=NO	SAME POS AS 5	Sequence 1-8 Non-Int Prime + Parallel Group 5-8	640.0 Secs [==>]	[1]
	7	NICMOS H	ANY	NIC3, MULTIACCUM, NIC3	F160W	SAMP-SEQ=SPARS 128; NSAMP=7		Sequence 1-8 Non-Int Prime + Parallel Group 5-8	[==>]	[1]
8	NICMOS J	ANY	NIC3, MULTIACCUM, NIC3-FIX	F110W	SAMP-SEQ=SPARS 128; NSAMP=7		Sequence 1-8 Non-Int Prime + Parallel Group 5-8	[==>]	[1]	

Proposal 10861 - Visit 92 - An ACS Treasury Survey of the Coma cluster of galaxies

#	Label	Target	Config,Mode,Aperture	Spectral Els.	Opt. Params.	Special Reqs.	Groups	Exp. Time/[Actual Dur.]	Orbit	
Exposures (continued)	9	F814	(27) COMA7-6	ACS/WFC, ACCUM, WFC	F814W	CR-SPLIT=NO	POS TARG 0.247,3.001; NEW OBSET FULL ACQ; GS ACQ SCENARIO SINGLE	Sequence 9-16 Non-Int Prime + Parallel Group 9-12	350.0 Secs [==>]	[2]
	10	F475	(27) COMA7-6	ACS/WFC, ACCUM, WFC	F475W	CR-SPLIT=NO	SAME POS AS 9	Sequence 9-16 Non-Int Prime + Parallel Group 9-12	640.0 Secs [==>]	[2]
	11	NICMOS H	ANY	NIC3, MULTIACCUM, NIC3	F160W	SAMP-SEQ=SPARS 128; NSAMP=7		Sequence 9-16 Non-Int Prime + Parallel Group 9-12	[==>]	[2]
	12	NICMOS J	ANY	NIC3, MULTIACCUM, NIC3-FIX	F110W	SAMP-SEQ=SPARS 128; NSAMP=7		Sequence 9-16 Non-Int Prime + Parallel Group 9-12	[==>]	[2]
	13	F814	(27) COMA7-6	ACS/WFC, ACCUM, WFC	F814W	CR-SPLIT=NO	POS TARG 0.469,3.093	Sequence 9-16 Non-Int Prime + Parallel Group 13-16	350.0 Secs [==>]	[2]
	14	F475	(27) COMA7-6	ACS/WFC, ACCUM, WFC	F475W	CR-SPLIT=NO	SAME POS AS 13	Sequence 9-16 Non-Int Prime + Parallel Group 13-16	640.0 Secs [==>]	[2]
	15	NICMOS H	ANY	NIC3, MULTIACCUM, NIC3	F160W	SAMP-SEQ=SPARS 128; NSAMP=7		Sequence 9-16 Non-Int Prime + Parallel Group 13-16	[==>]	[2]
	16	NICMOS J	ANY	NIC3, MULTIACCUM, NIC3-FIX	F110W	SAMP-SEQ=SPARS 128; NSAMP=7		Sequence 9-16 Non-Int Prime + Parallel Group 13-16	[==>]	[2]





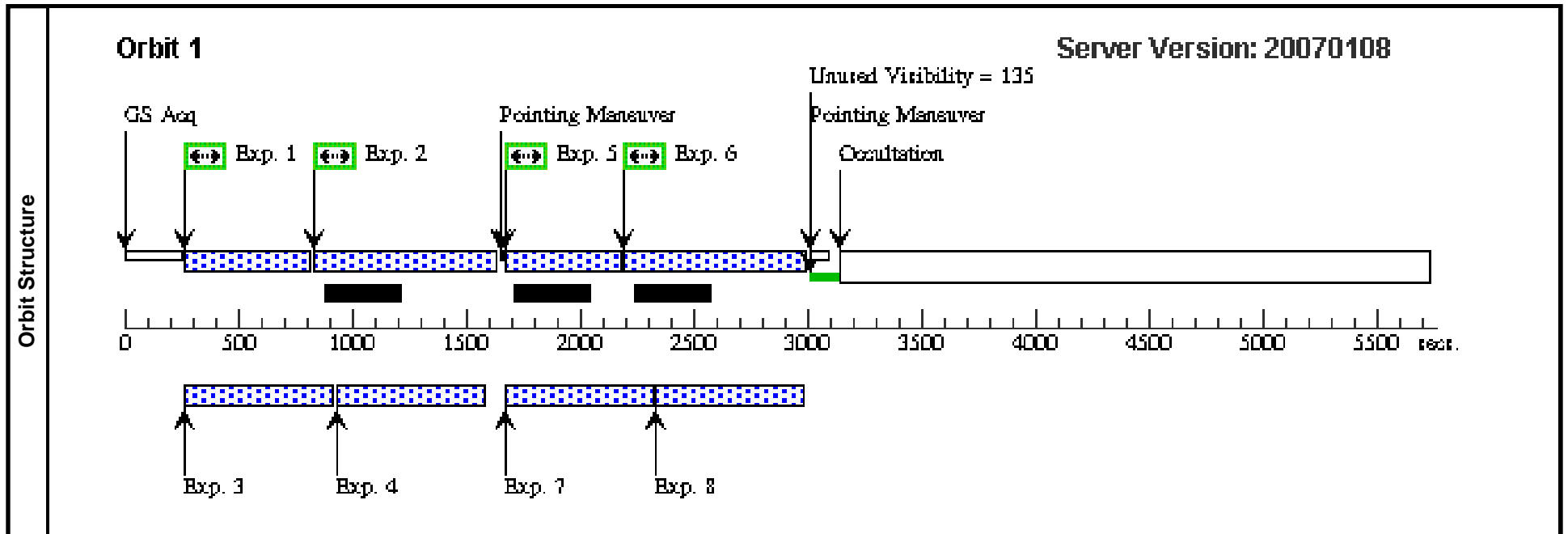
Proposal 10861 - Visit 93 - An ACS Treasury Survey of the Coma cluster of galaxies

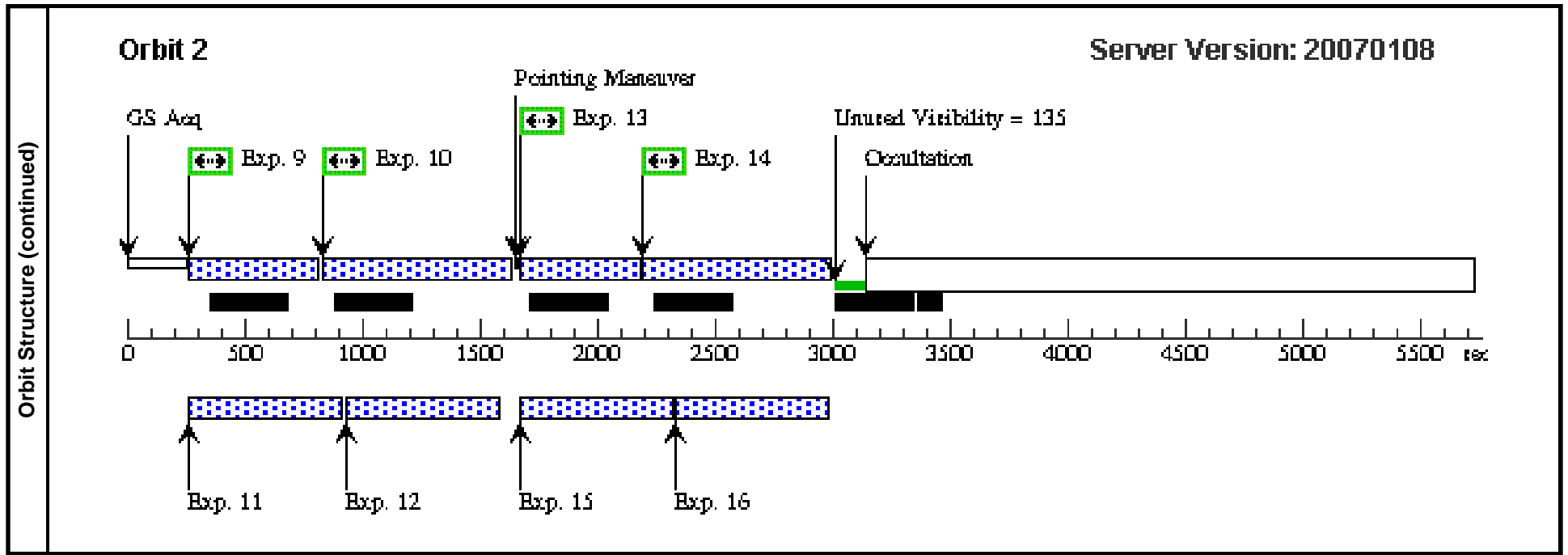
Fri Jan 26 02:18:23 GMT 2007

Visit	Proposal 10861, Visit 93, scheduling Diagnostic Status: No Diagnostics Scientific Instruments: ACS/WFC, NIC3 Special Requirements: ORIENT 282.0D TO 285.0 D Comments: Repeat of failed visit 07.									
	#	Name	Target Coordinates	Targ. Coord. Corrections	Fluxes	Miscellaneous				
Fixed Targets	(28)	COMA1-7	RA: 12 59 12.3000 (194.8012500d) Dec: +28 04 54.00 (28.08167d) Equinox: J2000		V=22.0	Reference Frame: ICRS				
Exposures	#	Label	Target	Config,Mode,Aperture	Spectral Els.	Opt. Params.	Special Reqs.	Groups	Exp. Time/[Actual Dur.]	Orbit
	1	F814	(28) COMA1-7	ACS/WFC, ACCUM, WFC	F814W	CR-SPLIT=NO	GS ACQ SCENARI O SINGLE	Sequence 1-8 Non-Int Prime + Parallel Group 1-4	350.0 Secs [==>]	[1]
	2	F475	(28) COMA1-7	ACS/WFC, ACCUM, WFC	F475W	CR-SPLIT=NO		Sequence 1-8 Non-Int Prime + Parallel Group 1-4	640.0 Secs [==>]	[1]
	3	NICMOS H	ANY	NIC3, MULTIACCUM, NIC3	F160W	SAMP-SEQ=SPARS 128; NSAMP=7		Sequence 1-8 Non-Int Prime + Parallel Group 1-4	[==>]	[1]
	4	NICMOS J	ANY	NIC3, MULTIACCUM, NIC3-FIX	F110W	SAMP-SEQ=SPARS 128; NSAMP=7		Sequence 1-8 Non-Int Prime + Parallel Group 1-4	[==>]	[1]
	5	F814	(28) COMA1-7	ACS/WFC, ACCUM, WFC	F814W	CR-SPLIT=NO	POS TARG 0.222,0. 092	Sequence 1-8 Non-Int Prime + Parallel Group 5-8	350.0 Secs [==>]	[1]
	6	F475	(28) COMA1-7	ACS/WFC, ACCUM, WFC	F475W	CR-SPLIT=NO	SAME POS AS 5	Sequence 1-8 Non-Int Prime + Parallel Group 5-8	640.0 Secs [==>]	[1]
	7	NICMOS H	ANY	NIC3, MULTIACCUM, NIC3	F160W	SAMP-SEQ=SPARS 128; NSAMP=7		Sequence 1-8 Non-Int Prime + Parallel Group 5-8	[==>]	[1]
8	NICMOS J	ANY	NIC3, MULTIACCUM, NIC3-FIX	F110W	SAMP-SEQ=SPARS 128; NSAMP=7		Sequence 1-8 Non-Int Prime + Parallel Group 5-8	[==>]	[1]	

Proposal 10861 - Visit 93 - An ACS Treasury Survey of the Coma cluster of galaxies

#	Label	Target	Config,Mode,Aperture	Spectral Els.	Opt. Params.	Special Reqs.	Groups	Exp. Time/[Actual Dur.]	Orbit	
Exposures (continued)	9	F814	(28) COMA1-7	ACS/WFC, ACCUM, WFC	F814W	CR-SPLIT=NO	POS TARG 0.247,3.001; NEW OBSET FULL ACQ; GS ACQ SCENARIO SINGLE	Sequence 9-16 Non-Int Prime + Parallel Group 9-12	350.0 Secs [==>]	[2]
	10	F475	(28) COMA1-7	ACS/WFC, ACCUM, WFC	F475W	CR-SPLIT=NO	SAME POS AS 9	Sequence 9-16 Non-Int Prime + Parallel Group 9-12	640.0 Secs [==>]	[2]
	11	NICMOS H	ANY	NIC3, MULTIACCUM, NIC3	F160W	SAMP-SEQ=SPARS 128; NSAMP=7		Sequence 9-16 Non-Int Prime + Parallel Group 9-12	[==>]	[2]
	12	NICMOS J	ANY	NIC3, MULTIACCUM, NIC3-FIX	F110W	SAMP-SEQ=SPARS 128; NSAMP=7		Sequence 9-16 Non-Int Prime + Parallel Group 9-12	[==>]	[2]
	13	F814	(28) COMA1-7	ACS/WFC, ACCUM, WFC	F814W	CR-SPLIT=NO	POS TARG 0.469,3.093	Sequence 9-16 Non-Int Prime + Parallel Group 13-16	350.0 Secs [==>]	[2]
	14	F475	(28) COMA1-7	ACS/WFC, ACCUM, WFC	F475W	CR-SPLIT=NO	SAME POS AS 13	Sequence 9-16 Non-Int Prime + Parallel Group 13-16	640.0 Secs [==>]	[2]
	15	NICMOS H	ANY	NIC3, MULTIACCUM, NIC3	F160W	SAMP-SEQ=SPARS 128; NSAMP=7		Sequence 9-16 Non-Int Prime + Parallel Group 13-16	[==>]	[2]
	16	NICMOS J	ANY	NIC3, MULTIACCUM, NIC3-FIX	F110W	SAMP-SEQ=SPARS 128; NSAMP=7		Sequence 9-16 Non-Int Prime + Parallel Group 13-16	[==>]	[2]





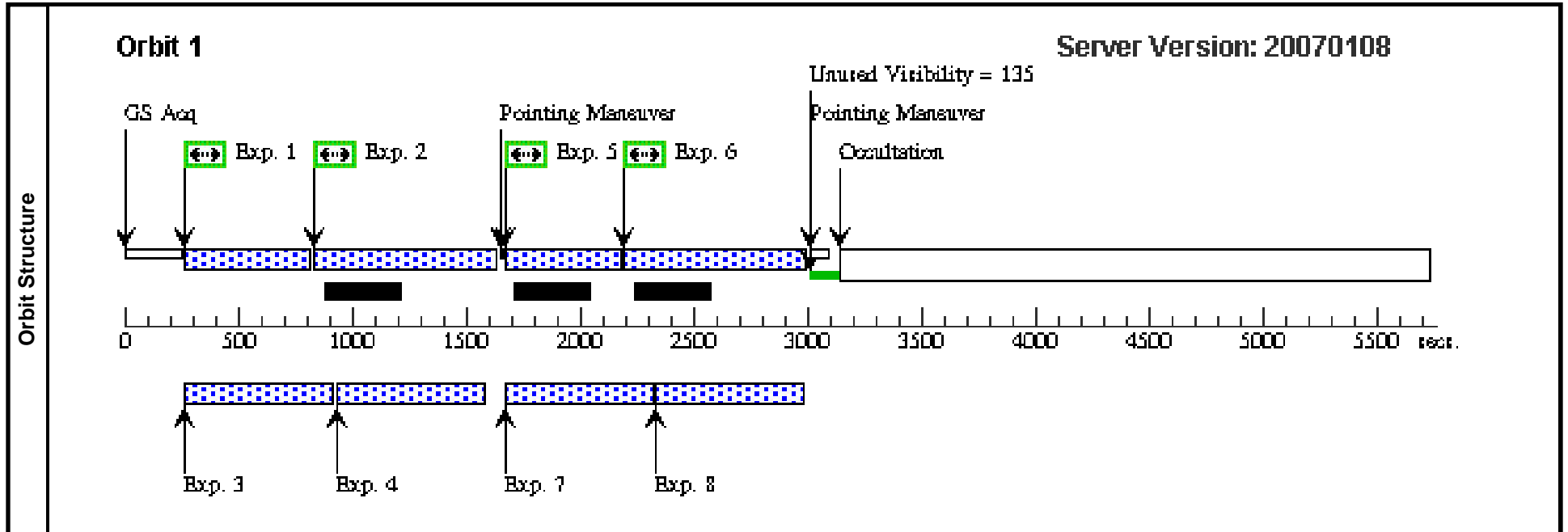
Proposal 10861 - Visit 94 - An ACS Treasury Survey of the Coma cluster of galaxies

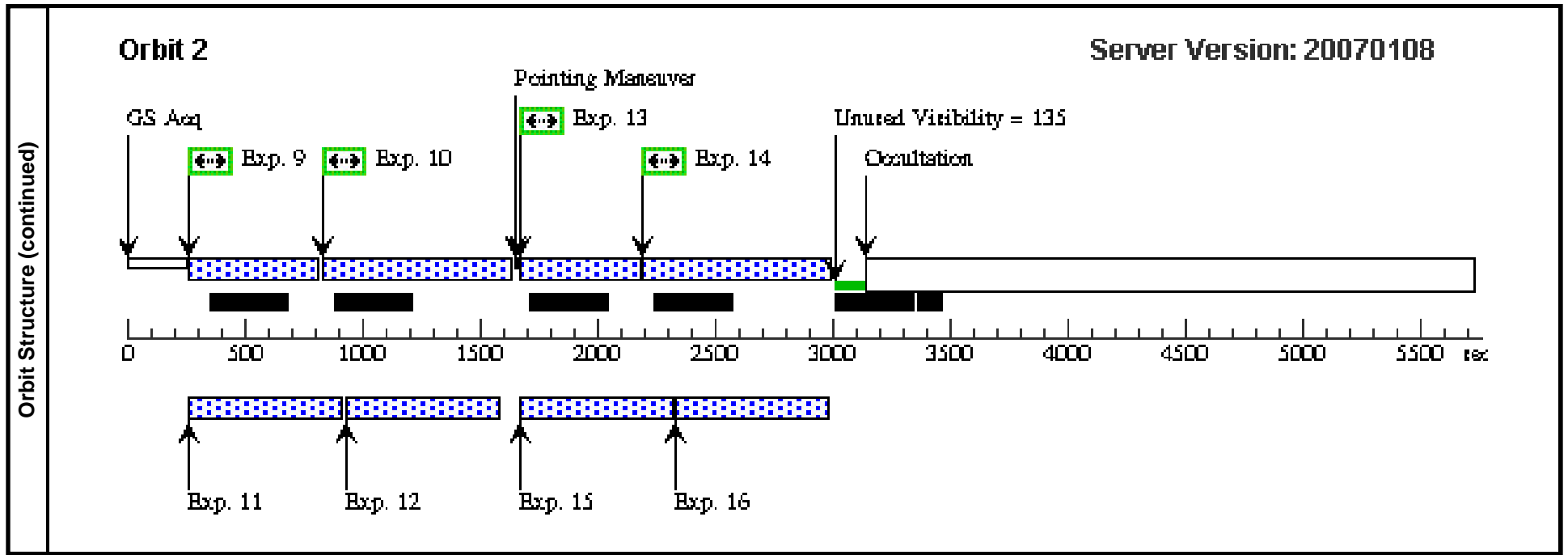
Fri Jan 26 02:18:24 GMT 2007

Visit	Proposal 10861, Visit 94, scheduling Diagnostic Status: No Diagnostics Scientific Instruments: ACS/WFC, NIC3 Special Requirements: ORIENT 282.0D TO 282.0 D Comments: Repeat of failed visit 11.									
	Fixed Targets	#	Name	Target Coordinates	Targ. Coord. Corrections	Fluxes	Miscellaneous			
	(15)	COMA2-4	RA: 12 59 55.5000 (194.9812500d) Dec: +28 01 43.00 (28.02861d) Equinox: J2000			V=22.0	Reference Frame: ICRS			
Exposures	#	Label	Target	Config,Mode,Aperture	Spectral Els.	Opt. Params.	Special Reqs.	Groups	Exp. Time/[Actual Dur.]	Orbit
	1	F814	(15) COMA2-4	ACS/WFC, ACCUM, WFC	F814W	CR-SPLIT=NO	GS ACQ SCENARI O SINGLE	Sequence 1-8 Non-Int Prime + Parallel Group 1-4	350.0 Secs [==>]	[1]
	2	F475	(15) COMA2-4	ACS/WFC, ACCUM, WFC	F475W	CR-SPLIT=NO		Sequence 1-8 Non-Int Prime + Parallel Group 1-4	640.0 Secs [==>]	[1]
	3	NICMOS H	ANY	NIC3, MULTIACCUM, NIC3	F160W	SAMP-SEQ=SPARS 128; NSAMP=7		Sequence 1-8 Non-Int Prime + Parallel Group 1-4	[==>]	[1]
	4	NICMOS J	ANY	NIC3, MULTIACCUM, NIC3-FIX	F110W	SAMP-SEQ=SPARS 128; NSAMP=7		Sequence 1-8 Non-Int Prime + Parallel Group 1-4	[==>]	[1]
	5	F814	(15) COMA2-4	ACS/WFC, ACCUM, WFC	F814W	CR-SPLIT=NO	POS TARG 0.222,0. 092	Sequence 1-8 Non-Int Prime + Parallel Group 5-8	350.0 Secs [==>]	[1]
	6	F475	(15) COMA2-4	ACS/WFC, ACCUM, WFC	F475W	CR-SPLIT=NO	SAME POS AS 5	Sequence 1-8 Non-Int Prime + Parallel Group 5-8	640.0 Secs [==>]	[1]
	7	NICMOS H	ANY	NIC3, MULTIACCUM, NIC3	F160W	SAMP-SEQ=SPARS 128; NSAMP=7		Sequence 1-8 Non-Int Prime + Parallel Group 5-8	[==>]	[1]
8	NICMOS J	ANY	NIC3, MULTIACCUM, NIC3-FIX	F110W	SAMP-SEQ=SPARS 128; NSAMP=7		Sequence 1-8 Non-Int Prime + Parallel Group 5-8	[==>]	[1]	

Proposal 10861 - Visit 94 - An ACS Treasury Survey of the Coma cluster of galaxies

#	Label	Target	Config,Mode,Aperture	Spectral Els.	Opt. Params.	Special Reqs.	Groups	Exp. Time/[Actual Dur.]	Orbit	
Exposures (continued)	9	F814	(15) COMA2-4	ACS/WFC, ACCUM, WFC	F814W	CR-SPLIT=NO	POS TARG 0.247,3.001; NEW OBSET FULL ACQ; GS ACQ SCENARIO SINGLE	Sequence 9-16 Non-Int Prime + Parallel Group 9-12	350.0 Secs [==>]	[2]
	10	F475	(15) COMA2-4	ACS/WFC, ACCUM, WFC	F475W	CR-SPLIT=NO	SAME POS AS 9	Sequence 9-16 Non-Int Prime + Parallel Group 9-12	640.0 Secs [==>]	[2]
	11	NICMOS H	ANY	NIC3, MULTIACCUM, NIC3	F160W	SAMP-SEQ=SPARS 128; NSAMP=7		Sequence 9-16 Non-Int Prime + Parallel Group 9-12	[==>]	[2]
	12	NICMOS J	ANY	NIC3, MULTIACCUM, NIC3-FIX	F110W	SAMP-SEQ=SPARS 128; NSAMP=7		Sequence 9-16 Non-Int Prime + Parallel Group 9-12	[==>]	[2]
	13	F814	(15) COMA2-4	ACS/WFC, ACCUM, WFC	F814W	CR-SPLIT=NO	POS TARG 0.469,3.093	Sequence 9-16 Non-Int Prime + Parallel Group 13-16	350.0 Secs [==>]	[2]
	14	F475	(15) COMA2-4	ACS/WFC, ACCUM, WFC	F475W	CR-SPLIT=NO	SAME POS AS 13	Sequence 9-16 Non-Int Prime + Parallel Group 13-16	640.0 Secs [==>]	[2]
	15	NICMOS H	ANY	NIC3, MULTIACCUM, NIC3	F160W	SAMP-SEQ=SPARS 128; NSAMP=7		Sequence 9-16 Non-Int Prime + Parallel Group 13-16	[==>]	[2]
	16	NICMOS J	ANY	NIC3, MULTIACCUM, NIC3-FIX	F110W	SAMP-SEQ=SPARS 128; NSAMP=7		Sequence 9-16 Non-Int Prime + Parallel Group 13-16	[==>]	[2]





Proposal 10861 - Visit 95 - An ACS Treasury Survey of the Coma cluster of galaxies

Fri Jan 26 02:18:27 GMT 2007

Visit	Proposal 10861, Visit 95, scheduling Diagnostic Status: No Diagnostics Scientific Instruments: ACS/WFC, NIC3 Special Requirements: (none) <i>Comments: Repeat of failed visit 38.</i>									
	Patterns	#	Primary Pattern			Secondary Pattern			Exposures	
		(1)	Pattern Type=ACS-WFC-DITHER-LINE Purpose=DITHER Number Of Points=2 Point Spacing=3.011 Line Spacing=	Coordinate Frame=POS-TARG Pattern Orientation=85.3 Angle Between Sides= Center Pattern=false	Pattern Type=LINE Purpose=DITHER Number Of Points=2 Point Spacing=0.241 Line Spacing=	Coordinate Frame=POS-TARG Pattern Orientation=22.3 Angle Between Sides= Center Pattern=false	(1-4)			
Fixed Targets	#	Name	Target Coordinates	Targ. Coord. Corrections	Fluxes	Miscellaneous				
	(37)	COMA6-3	RA: 12 59 56.7000 (194.9862500d) Dec: +27 48 59.00 (27.81639d) Equinox: J2000		V=22.0	Reference Frame: ICRS				
Exposures	#	Label	Target	Config,Mode,Aperture	Spectral Els.	Opt. Params.	Special Reqs.	Groups	Exp. Time/[Actual Dur.]	Orbit
	1	F814	(37) COMA6-3	ACS/WFC, ACCUM, WFC	F814W	CR-SPLIT=NO		Pattern 1-4 (1) Prime + Parallel Group 1-4	350.0 Secs [=>(Pattern 1,1)] [=>(Pattern 1,2)] [=>(Pattern 2,1)] [=>(Pattern 2,2)]	[1] [2]
	2	F475	(37) COMA6-3	ACS/WFC, ACCUM, WFC	F475W	CR-SPLIT=NO		Pattern 1-4 (1) Prime + Parallel Group 1-4	640.0 Secs [=>(Pattern 1,1)] [=>(Pattern 1,2)] [=>(Pattern 2,1)] [=>(Pattern 2,2)]	[1] [2]
	3	NICMOS H	ANY	NIC3, MULTIACCUM, NIC3	F160W	SAMP-SEQ=SPARS 128; NSAMP=7		Pattern 1-4 (1) Prime + Parallel Group 1-4	[=>(Pattern 1,1)] [=>(Pattern 1,2)] [=>(Pattern 2,1)] [=>(Pattern 2,2)]	[1] [2]
	4	NICMOS J	ANY	NIC3, MULTIACCUM, NIC3-FIX	F110W	SAMP-SEQ=SPARS 128; NSAMP=7		Pattern 1-4 (1) Prime + Parallel Group 1-4	[=>(Pattern 1,1)] [=>(Pattern 1,2)] [=>(Pattern 2,1)] [=>(Pattern 2,2)]	[1] [2]

