



## 11144 - Building on the Significant NICMOS Investment in GOODS: A Bright, Wide-Area Search for $z \geq 7$ Galaxies

Cycle: 16, Proposal Category: GO

(Availability Mode: AVAILABLE)

### INVESTIGATORS

<i>Name</i>	<i>Institution</i>	<i>E-Mail</i>
<b>Dr. Rychard Bouwens (PI)</b>	<b>University of California - Santa Cruz</b>	<b>bouwens@ucolick.org</b>
Prof. Garth D. Illingworth (CoI)	University of California - Santa Cruz	gdi@ucolick.org
Dr. Ivo Labbe (CoI)	Carnegie Institution of Washington	ivo@ociw.edu
Dr. Danilo Marchesini (CoI)	Yale University	daniom@astro.yale.edu
Prof. Pieter van Dokkum (CoI)	Yale University	dokkum@astro.yale.edu
Dr. Bradford Holden (CoI)	University of California - Santa Cruz	holden@ucolick.org
Prof. Marijn Franx (CoI) (ESA Member)	Universiteit Leiden	franx@strw.leidenuniv.nl
Dr. Brian Siana (CoI)	Jet Propulsion Laboratory	bsiana@ipac.caltech.edu

### VISITS

<i>Visit</i>	<i>Targets used in Visit</i>	<i>Configurations used in Visit</i>	<i>Orbits Used</i>	<i>Last Orbit Planner Run</i>	<i>OP Current with Visit?</i>
01	(1) GOODS-N1 ANY	ACS/SBC NIC3 WFPC2	3	23-Sep-2009 21:01:48.0	yes
02	(2) GOODS-N2 ANY	ACS/SBC NIC3 WFPC2	3	23-Sep-2009 21:02:02.0	yes

<i>Visit</i>	<i>Targets used in Visit</i>	<i>Configurations used in Visit</i>	<i>Orbits Used</i>	<i>Last Orbit Planner Run</i>	<i>OP Current with Visit?</i>
03	(3) GOODS-N3 ANY	ACS/SBC NIC3 WFPC2	3	23-Sep-2009 21:02:12.0	yes
04	(4) GOODS-N4 ANY	ACS/SBC NIC3 WFPC2	2	23-Sep-2009 21:02:19.0	yes
05	(5) GOODS-N5 ANY	ACS/SBC NIC3 WFPC2	3	23-Sep-2009 21:02:28.0	yes
06	(6) GOODS-N6 ANY	ACS/SBC NIC3 WFPC2	2	23-Sep-2009 21:02:38.0	yes
07	(7) GOODS-N7 ANY	ACS/SBC NIC3 WFPC2	3	23-Sep-2009 21:02:46.0	yes
08	(8) HUDFCAND3 ANY	ACS/SBC NIC3 WFPC2	2	23-Sep-2009 21:02:53.0	yes
09	(9) GOODS-S2-FOLLOW-UP ANY	ACS/SBC NIC3 WFPC2	3	23-Sep-2009 21:03:00.0	yes
10	(10) HUDFCAND1 ANY	ACS/SBC NIC3 WFPC2	3	23-Sep-2009 21:03:12.0	yes

<i>Visit</i>	<i>Targets used in Visit</i>	<i>Configurations used in Visit</i>	<i>Orbits Used</i>	<i>Last Orbit Planner Run</i>	<i>OP Current with Visit?</i>
11	(13) GOODS-S1 ANY	ACS/SBC NIC3 WFPC2	3	23-Sep-2009 21:03:19.0	yes
12	(14) GOODS-S2 ANY	ACS/SBC NIC3 WFPC2	3	23-Sep-2009 21:03:27.0	yes
13	(15) GOODS-S3 ANY	ACS/SBC NIC3 WFPC2	3	23-Sep-2009 21:03:38.0	yes
14	(16) GOODS-S4 ANY	ACS/SBC NIC3 WFPC2	3	23-Sep-2009 21:03:46.0	yes
15	(17) GOODS-S5 ANY	ACS/SBC NIC3 WFPC2	3	23-Sep-2009 21:03:53.0	yes
16	(18) GOODS-S6 ANY	ACS/SBC NIC3 WFPC2	3	23-Sep-2009 21:04:04.0	yes
17	(19) GOODS-S7 ANY	ACS/SBC NIC3 WFPC2	3	23-Sep-2009 21:04:12.0	yes
18	(20) GOODS-S8 ANY	ACS/SBC NIC3 WFPC2	3	23-Sep-2009 21:04:20.0	yes

<i>Visit</i>	<i>Targets used in Visit</i>	<i>Configurations used in Visit</i>	<i>Orbits Used</i>	<i>Last Orbit Planner Run</i>	<i>OP Current with Visit?</i>
19	(12) GOODS-S4-FOLLOW-UP ANY	ACS/SBC NIC3 WFPC2	2	23-Sep-2009 21:04:28.0	yes
20	(11) HUDFCAND2 ANY	ACS/SBC NIC3 WFPC2	3	23-Sep-2009 21:04:35.0	yes
21	(21) GOODS-S10 ANY	ACS/SBC NIC3 WFPC2	2	23-Sep-2009 21:04:42.0	yes
22	(22) GOODS-N8 ANY	ACS/SBC NIC3 WFPC2	2	23-Sep-2009 21:04:48.0	yes
23	(23) GOODS-S2-WFC3-FOLLOW-UP ANY	ACS/WFC WFC3/IR	1	23-Sep-2009 21:04:52.0	yes

61 Total Orbits Used

### **ABSTRACT**

One of the most exciting frontiers in observational cosmology has been to trace the buildup and evolution of galaxies from very early times. While hierarchical theory teaches us that the star formation rate in galaxies likely starts out small and builds up gradually, only recently has it been possible to see evidence for this observationally through the evolution of the LF from  $z \sim 6$  to  $z \sim 3$ . Establishing that this build up occurs from even earlier times ( $z \sim 7-8$ ) has been difficult, however, due to the small size of current high-redshift  $z \sim 7-8$  samples -- now numbering in the range of  $\sim 4-10$  sources. Expanding the size of these samples is absolutely essential, if we are to push current studies of galaxy buildup back to even earlier times. Fortunately, we should soon be able to do so, thanks to  $\sim 50$  arcmin<sup>2</sup> of deep (26.9 AB mag at 5 sigma) NICMOS 1.6 micron data that will be available over the two ACS GOODS fields as a result of one recent 180-orbit ACS backup program and a smaller program. These data will nearly

triple the deep near-IR imaging currently available and represent a significant resource for finding and characterizing the brightest high-redshift sources -- since high-redshift candidates can be easily identified in these data from their red z-H colours. Unfortunately, the red z-H colours of these candidates are not sufficient to determine that these sources are at  $z \geq 7$ , and it is important also to have deep photometry at 1.1 microns. To obtain this crucial information, we propose to follow up each of these z-H dropouts with NICMOS at 1.1 microns to determine which are at high redshift and thus significantly expand our sample of luminous,  $z \geq 7$  galaxies. Since preliminary studies indicate that these candidates occur in only 30% of the NIC3 fields, our follow-up strategy is  $\sim 3$  times as efficient as without this preselection and 9 times as efficient as a search in a field with no pre-existing data. In total, we expect to identify  $\sim 8$  luminous z-dropouts and possibly  $\sim 2$  z $\sim 10$  J-dropouts as a result of this program, more than tripling the number currently known. The increased sample sizes are important if we are to solidify current conclusions about galaxy buildup and the evolution of the LF from z $\sim 8$ . In addition to the high redshift science, these deep 1.1 micron data would have significant value for many diverse endeavors, including (1) improving our constraints on the stellar mass density at z $\sim 7-10$  and (2) doubling the number of galaxies at z $\sim 6$  for which we can estimate dust obscuration.

## **OBSERVING DESCRIPTION**

The goal of our observing program is to use deep 1.1 micron (J band) F110W imaging to determine the nature of z-H dropouts found over the deep, wide-area (50 arcmin $^2$ ) 1.6 micron coverage soon to be available over the GOODS fields. This imaging data will (together with the deep Spitzer imaging data) allow us to distinguish high-redshift galaxies from lower luminosity red galaxies at z $\sim 2-3$  by providing us with photometry in between the z and H bands. Blue J-H colours for our z-H dropout candidates will suggest a star-forming galaxy at z $\sim 7-8$ , while red J-H colours will suggest a star-forming galaxy at z $\sim 10$  or a lower luminosity dusty or evolved galaxy at z $\sim 2-3$ . Our NIC3 F110W follow-up imaging data will be 3 orbits in depth, which is sufficient to reach 27.8 AB mag at 2 sigma for a point source. This should be sufficient to detect the faintest z-H dropouts in the J-band if they are star-forming galaxies at z $\sim 7-8$  and thus provide a good discrimination between the above cases. Since we have estimated from the available imaging that roughly 30% of the deep 1.6 micron NIC3 pointings ( $>60$  in total) will contain an interesting z-H dropout candidate, we have requested follow-up data for 1/3 of the 60+ NIC3 fields over the GOODS fields with 1.6 micron data from GO program 11082, or 20 fields in total.

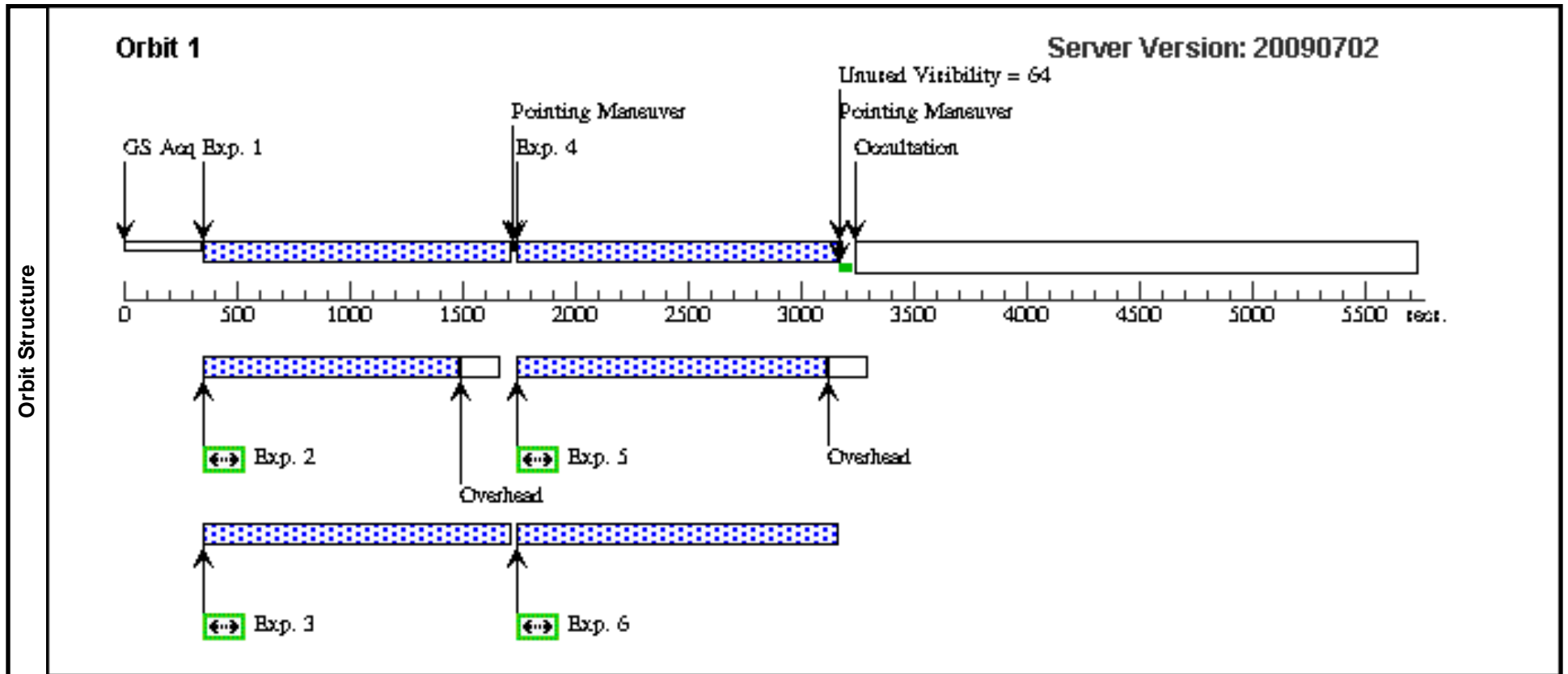
Proposal 11144 - Visit 01 - Building on the Significant NICMOS Investment in GOODS: A Bright, Wide-Area Search for z>...

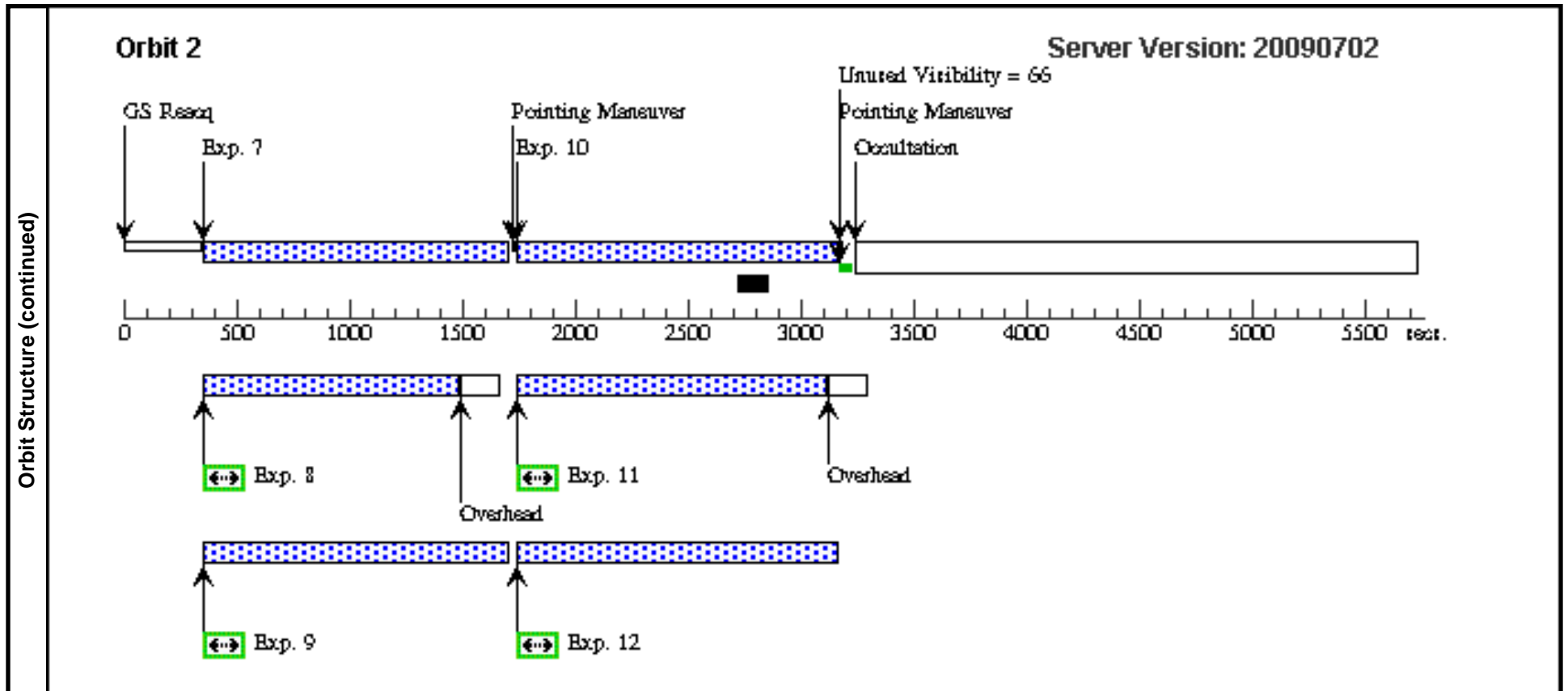
Thu Sep 24 01:04:56 GMT 2009

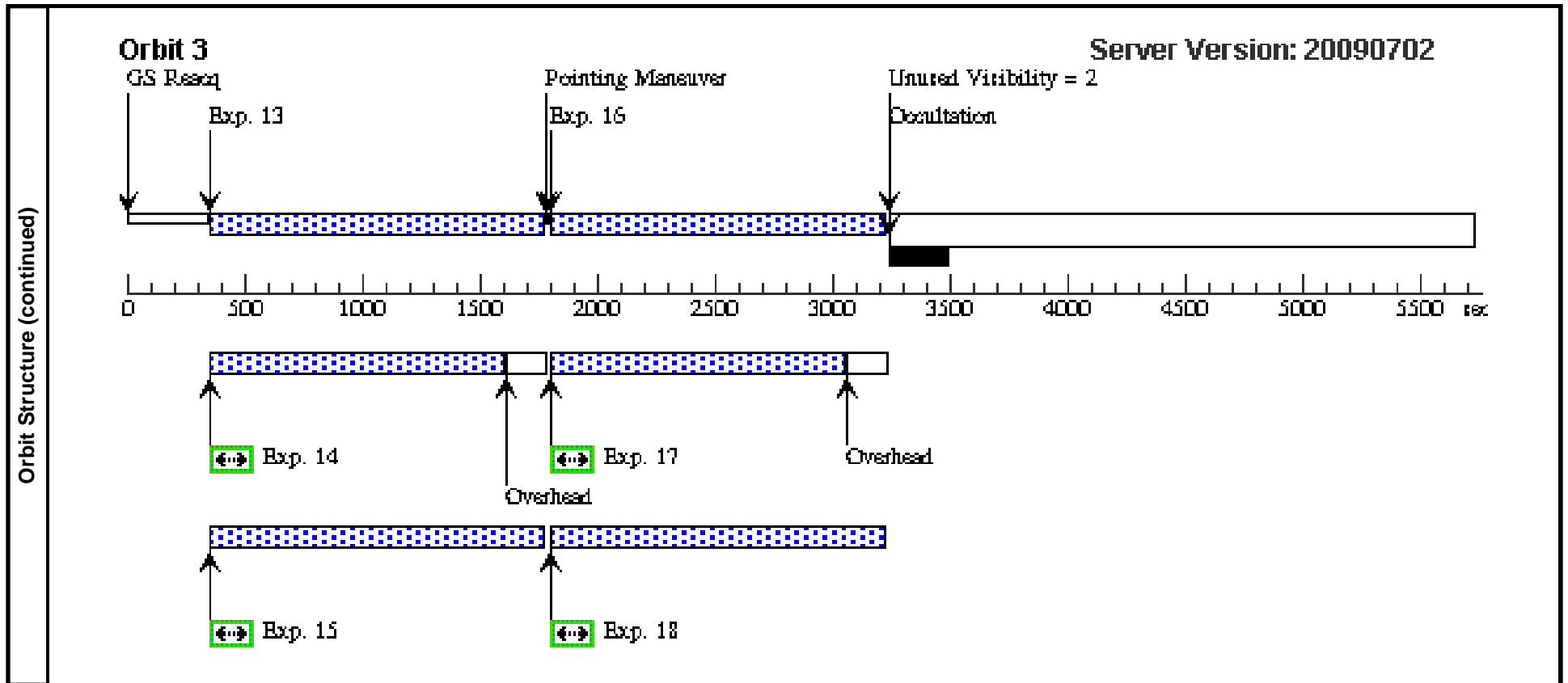
Visit	<b>Proposal 11144, Visit 01, completed</b> <b>Diagnostic Status: No Diagnostics</b> Scientific Instruments: ACS/SBC, WFPC2, NIC3 Special Requirements: ORIENT 255.0D TO 285.0 D; ORIENT 345.0D TO 15.0 D; ORIENT 75.0D TO 105.0 D; ORIENT 165.0D TO 195.0 D									
	Fixed Targets	#	Name	Target Coordinates	Targ. Coord. Corrections	Fluxes	Miscellaneous			
	(1)	GOODS-N1	RA: 12 36 16.5183 (189.0688262d) Dec: +62 15 31.40 (62.25872d) Equinox: J2000			V=25	Reference Frame: ICRS	<i>Comments: Same as GOODS-N13 (from 11082)</i>		
Exposures	#	Label	Target	Config,Mode,Aperture	Spectral Els.	Opt. Params.	Special Reqs.	Groups	Exp. Time/[Actual Dur.]	Orbit
	1	(1) GOODS-N1	NIC3, MULTIACCUM, NIC3	F110W	SAMP-SEQ=SPARS 64; NSAMP=23	POS TARG 0.0,-0.4 06	Prime + Parallel Group 1-3	[==>]	[1]	
	2	ANY	WFPC2, IMAGE, WF3-FIX	F300W	CR-SPLIT=NO		Prime + Parallel Group 1-3	1000.0 Secs [==>1000.0 Secs ]	[1]	
	3	ANY	ACS/SBC, ACCUM, SBC	F150LP			Prime + Parallel Group 1-3	1250.0 Secs [==>1290.0 Secs ]	[1]	
	4	(1) GOODS-N1	NIC3, MULTIACCUM, NIC3	F110W	SAMP-SEQ=SPARS 64; NSAMP=24	POS TARG 0.753,-0 .102	Prime + Parallel Group 4-6	[==>]	[1]	
	5	ANY	WFPC2, IMAGE, WF3-FIX	F300W	CR-SPLIT=NO		Prime + Parallel Group 4-6	1100.0 Secs [==>1200.0 Secs ]	[1]	
	6	ANY	ACS/SBC, ACCUM, SBC	F150LP			Prime + Parallel Group 4-6	1350.0 Secs [==>1393.0 Secs ]	[1]	
	7	(1) GOODS-N1	NIC3, MULTIACCUM, NIC3	F110W	SAMP-SEQ=SPARS 64; NSAMP=23	POS TARG 0.44870 000000000004,0.651	Prime + Parallel Group 7-9	[==>]	[2]	
	8	ANY	WFPC2, IMAGE, WF3-FIX	F300W	CR-SPLIT=NO		Prime + Parallel Group 7-9	1000.0 Secs [==>1000.0 Secs ]	[2]	
	9	ANY	ACS/SBC, ACCUM, SBC	F150LP			Prime + Parallel Group 7-9	1250.0 Secs [==>1329.0 Secs ]	[2]	
	10	(1) GOODS-N1	NIC3, MULTIACCUM, NIC3	F110W	SAMP-SEQ=SPARS 64; NSAMP=24	POS TARG -0.3042, 0.3469	Prime + Parallel Group 10-12	[==>]	[2]	
	11	ANY	WFPC2, IMAGE, WF3-FIX	F300W	CR-SPLIT=NO		Prime + Parallel Group 10-12	1100.0 Secs [==>1200.0 Secs ]	[2]	
12	ANY	ACS/SBC, ACCUM, SBC	F150LP			Prime + Parallel Group 10-12	1350.0 Secs [==>1393.0 Secs ]	[2]		

Proposal 11144 - Visit 01 - Building on the Significant NICMOS Investment in GOODS: A Bright, Wide-Area Search for z>...

Exposures (continued)	#	Label	Target	Config,Mode,Aperture	Spectral Els.	Opt. Params.	Special Reqs.	Groups	Exp. Time/[Actual Dur.]	Orbit
	13		(1) GOODS-N1	NIC3, MULTIACCUM, NIC3	F110W	SAMP-SEQ=SPARS 64; NSAMP=24	POS TARG -1.057,0 .0427	Prime + Parallel Gro up 13-15	[==>]	[3]
	14		ANY	WFPC2, IMAGE, WF3-FIX	F300W	CR-SPLIT=NO		Prime + Parallel Gro up 13-15	1100.0 Secs [==>1100.0 Secs ]	[3]
	15		ANY	ACS/SBC, ACCUM, SBC	F150LP			Prime + Parallel Gro up 13-15	1250.0 Secs [==>1393.0 Secs ]	[3]
	16		(1) GOODS-N1	NIC3, MULTIACCUM, NIC3	F110W	SAMP-SEQ=SPARS 64; NSAMP=24	POS TARG -0.7529, -0.7102	Prime + Parallel Gro up 16-18	[==>]	[3]
	17		ANY	WFPC2, IMAGE, WF3-FIX	F300W	CR-SPLIT=NO		Prime + Parallel Gro up 16-18	1100.0 Secs [==>1100.0 Secs ]	[3]
	18		ANY	ACS/SBC, ACCUM, SBC	F150LP			Prime + Parallel Gro up 16-18	1350.0 Secs [==>1393.0 Secs ]	[3]







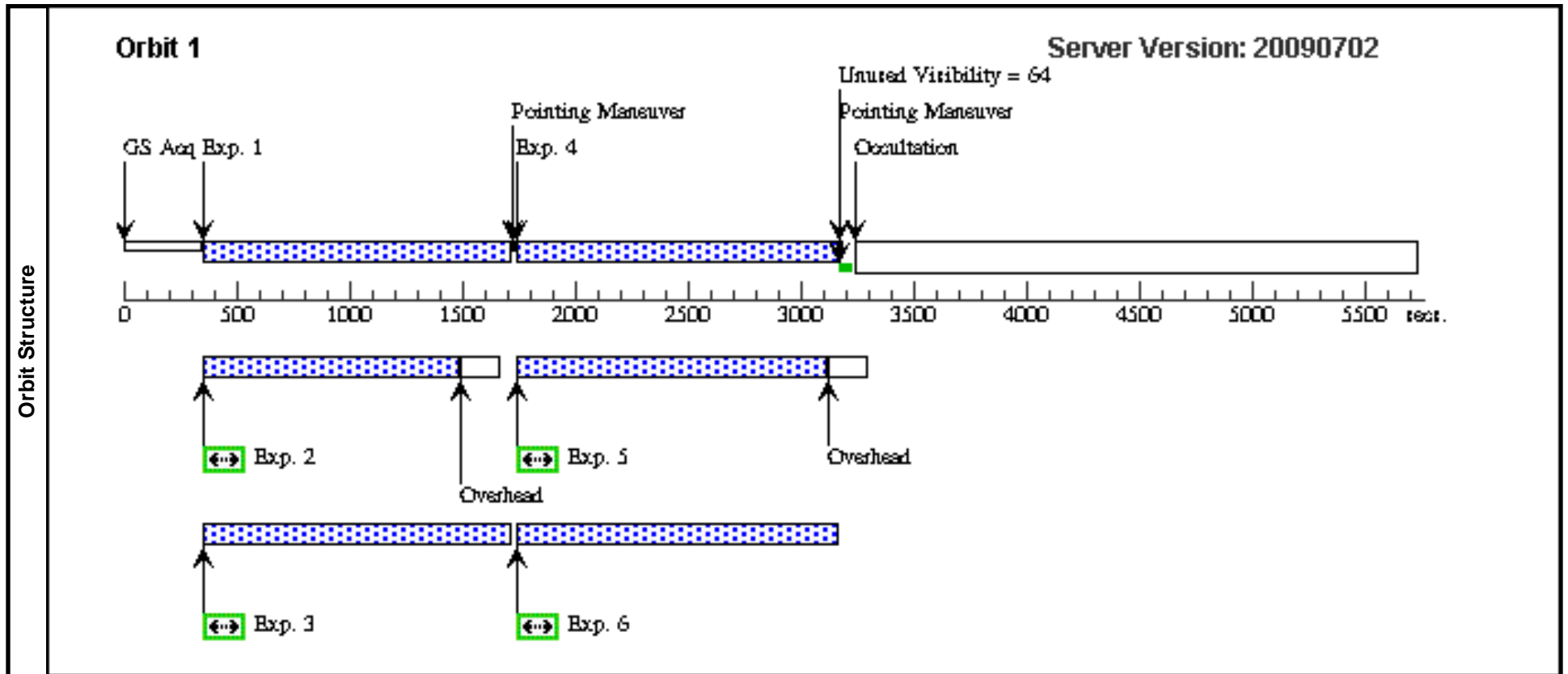
Proposal 11144 - Visit 02 - Building on the Significant NICMOS Investment in GOODS: A Bright, Wide-Area Search for z>...

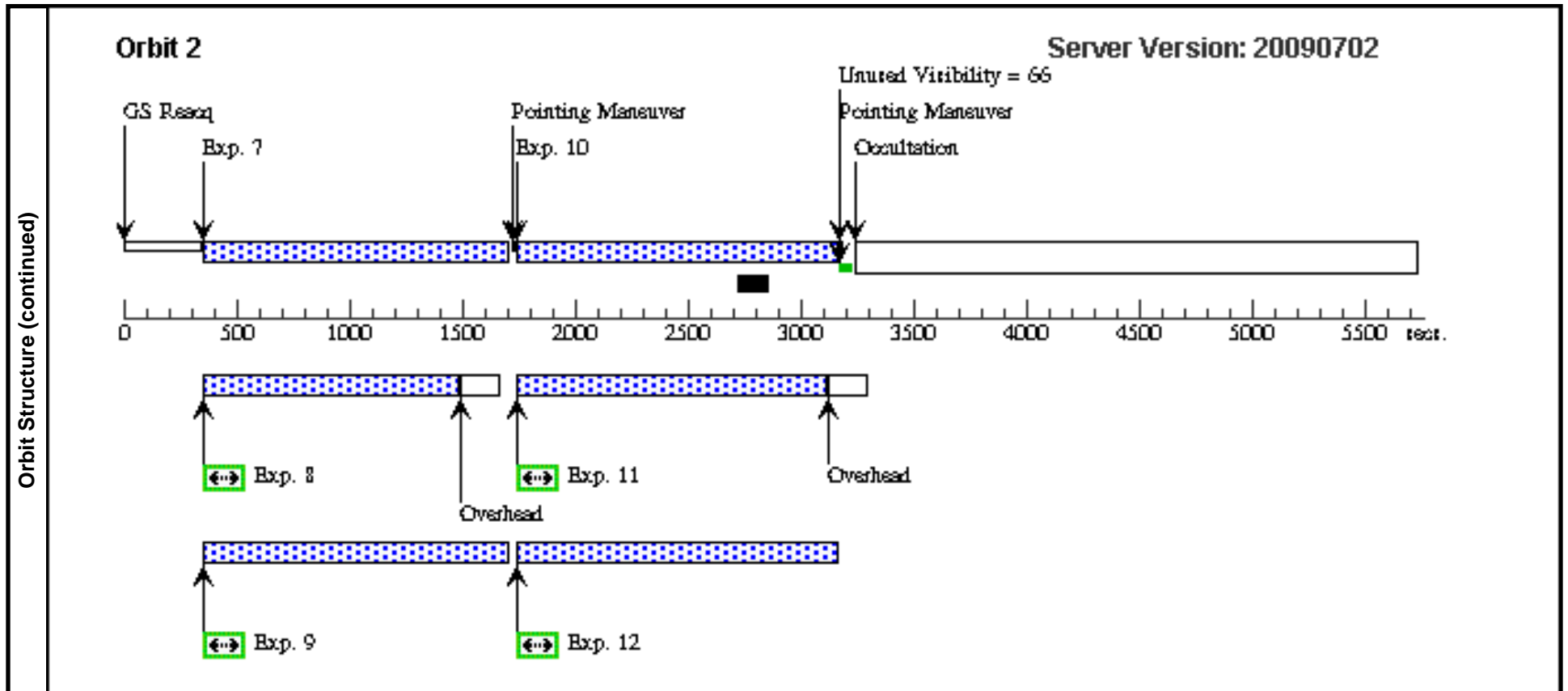
Thu Sep 24 01:04:58 GMT 2009

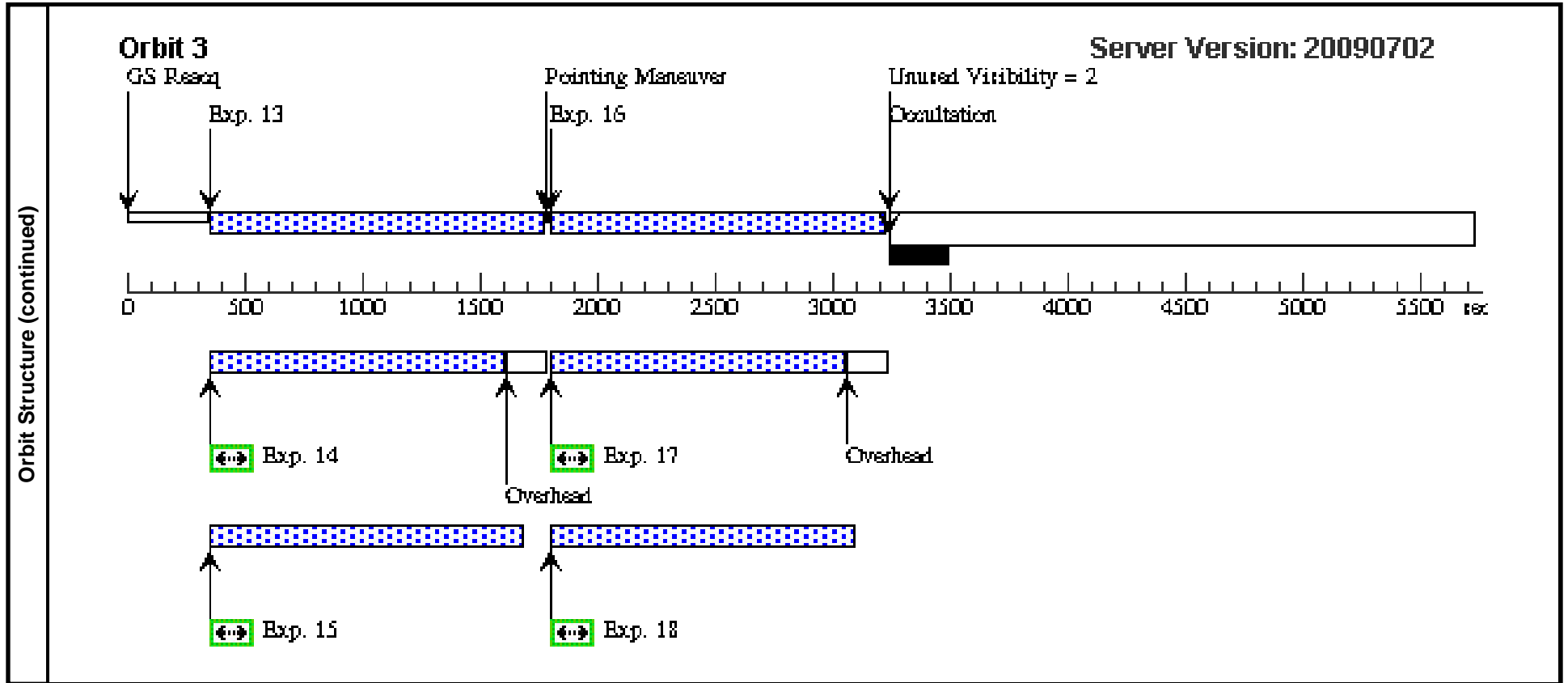
Visit		<b>Proposal 11144, Visit 02, completed</b> <b>Diagnostic Status: No Diagnostics</b> Scientific Instruments: ACS/SBC, WFPC2, NIC3 Special Requirements: ORIENT 275.0D TO 285.0 D; ORIENT 345.0D TO 15.0 D; ORIENT 75.0D TO 105.0 D; ORIENT 165.0D TO 195.0 D									
Fixed Targets	#	Name	Target Coordinates	Targ. Coord. Corrections	Fluxes	Miscellaneous					
		(2)	GOODS-N2	RA: 12 36 22.1434 (189.0922642d) Dec: +62 14 31.60 (62.24211d) Equinox: J2000		V=25	Reference Frame: ICRS	<i>Comments: Same as GOODS-N21 (from 11082)</i>			
Exposures	#	Label	Target	Config,Mode,Aperture	Spectral Els.	Opt. Params.	Special Reqs.	Groups	Exp. Time/[Actual Dur.]	Orbit	
	1	(2) GOODS-N2	NIC3, MULTIACCUM, NIC3	F110W	SAMP-SEQ=SPARS 64; NSAMP=23	POS TARG 0.0,-0.4 06	Prime + Parallel Group 1-3	[==>]	[1]		
	2	ANY	WFPC2, IMAGE, WF3-FIX	F300W	CR-SPLIT=NO		Prime + Parallel Group 1-3	1000.0 Secs [==>1000.0 Secs ]	[1]		
	3	ANY	ACS/SBC, ACCUM, SBC	F150LP			Prime + Parallel Group 1-3	1250.0 Secs [==>1290.0 Secs ]	[1]		
	4	(2) GOODS-N2	NIC3, MULTIACCUM, NIC3	F110W	SAMP-SEQ=SPARS 64; NSAMP=24	POS TARG 0.753,-0 .102	Prime + Parallel Group 4-6	[==>]	[1]		
	5	ANY	WFPC2, IMAGE, WF3-FIX	F300W	CR-SPLIT=NO		Prime + Parallel Group 4-6	1100.0 Secs [==>1200.0 Secs ]	[1]		
	6	ANY	ACS/SBC, ACCUM, SBC	F150LP			Prime + Parallel Group 4-6	1250.0 Secs [==>1393.0 Secs ]	[1]		
	7	(2) GOODS-N2	NIC3, MULTIACCUM, NIC3	F110W	SAMP-SEQ=SPARS 64; NSAMP=23	POS TARG 0.44870 000000000004,0.651	Prime + Parallel Group 7-9	[==>]	[2]		
	8	ANY	WFPC2, IMAGE, WF3-FIX	F300W	CR-SPLIT=NO		Prime + Parallel Group 7-9	1000.0 Secs [==>1000.0 Secs ]	[2]		
	9	ANY	ACS/SBC, ACCUM, SBC	F150LP			Prime + Parallel Group 7-9	1250.0 Secs [==>1329.0 Secs ]	[2]		
	10	(2) GOODS-N2	NIC3, MULTIACCUM, NIC3	F110W	SAMP-SEQ=SPARS 64; NSAMP=24	POS TARG -0.3042, 0.3469	Prime + Parallel Group 10-12	[==>]	[2]		
	11	ANY	WFPC2, IMAGE, WF3-FIX	F300W	CR-SPLIT=NO		Prime + Parallel Group 10-12	1100.0 Secs [==>1200.0 Secs ]	[2]		
12	ANY	ACS/SBC, ACCUM, SBC	F150LP			Prime + Parallel Group 10-12	1250.0 Secs [==>1393.0 Secs ]	[2]			

Proposal 11144 - Visit 02 - Building on the Significant NICMOS Investment in GOODS: A Bright, Wide-Area Search for z>...

Exposures (continued)	#	Label	Target	Config,Mode,Aperture	Spectral Els.	Opt. Params.	Special Reqs.	Groups	Exp. Time/[Actual Dur.]	Orbit
	13		(2) GOODS-N2	NIC3, MULTIACCUM, NIC3	F110W	SAMP-SEQ=SPARS 64; NSAMP=24	POS TARG -1.057,0 .0427	Prime + Parallel Gro up 13-15	[==>]	[3]
	14		ANY	WFPC2, IMAGE, WF3-FIX	F300W	CR-SPLIT=NO		Prime + Parallel Gro up 13-15	1100.0 Secs [==>1100.0 Secs ]	[3]
	15		ANY	ACS/SBC, ACCUM, SBC	F150LP			Prime + Parallel Gro up 13-15	1250.0 Secs [==>1300.0 Secs ]	[3]
	16		(2) GOODS-N2	NIC3, MULTIACCUM, NIC3	F110W	SAMP-SEQ=SPARS 64; NSAMP=24	POS TARG -0.7529, -0.7102	Prime + Parallel Gro up 16-18	[==>]	[3]
	17		ANY	WFPC2, IMAGE, WF3-FIX	F300W	CR-SPLIT=NO		Prime + Parallel Gro up 16-18	1100.0 Secs [==>1100.0 Secs ]	[3]
	18		ANY	ACS/SBC, ACCUM, SBC	F150LP			Prime + Parallel Gro up 16-18	1250.0 Secs [==>1260.0 Secs ]	[3]







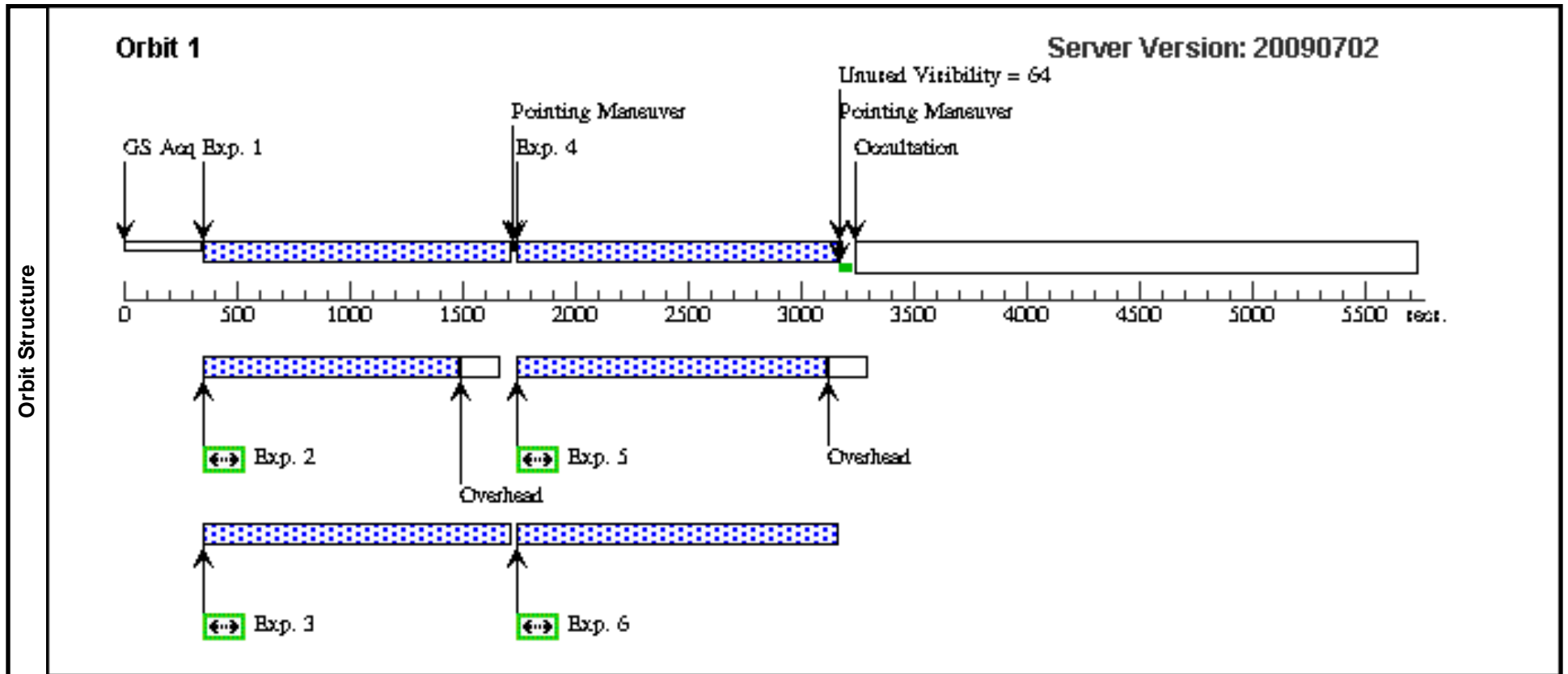
Proposal 11144 - Visit 03 - Building on the Significant NICMOS Investment in GOODS: A Bright, Wide-Area Search for z>...

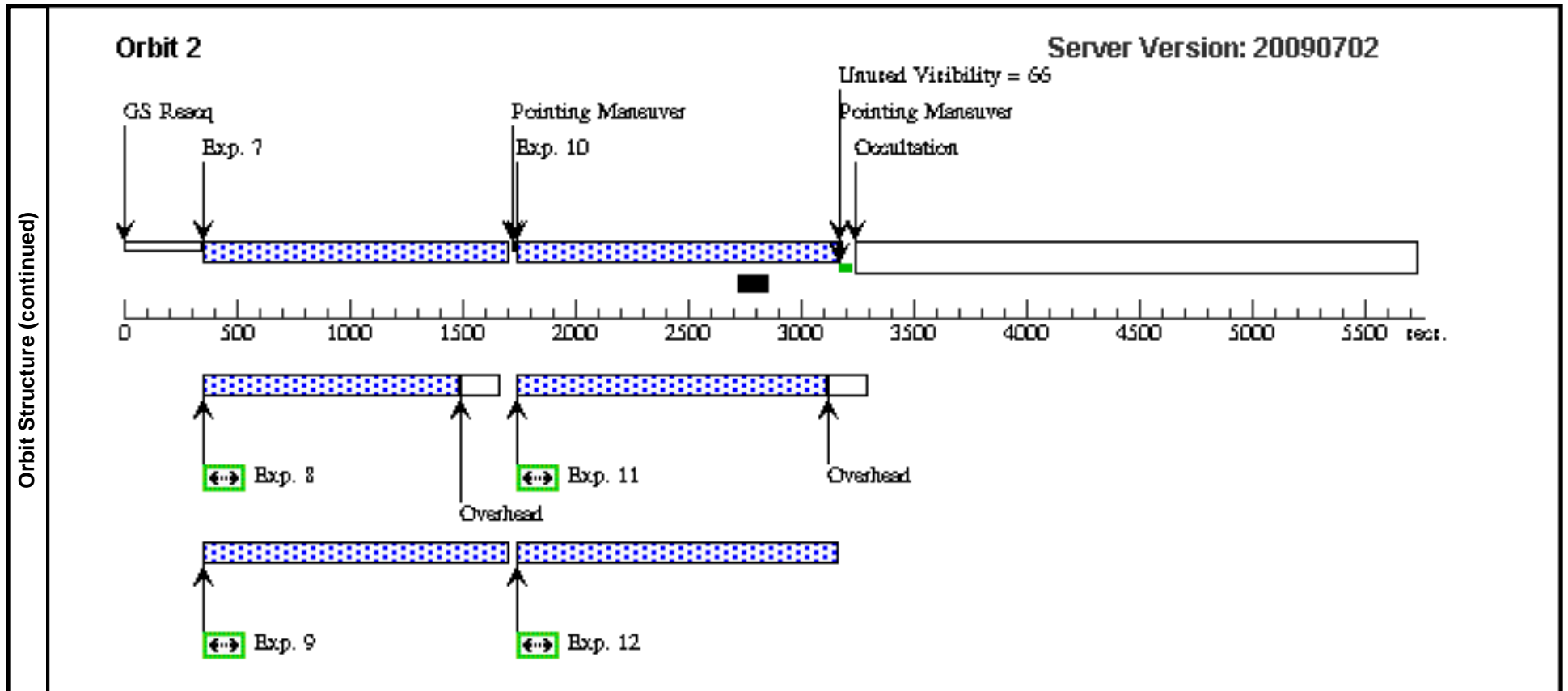
Thu Sep 24 01:04:59 GMT 2009

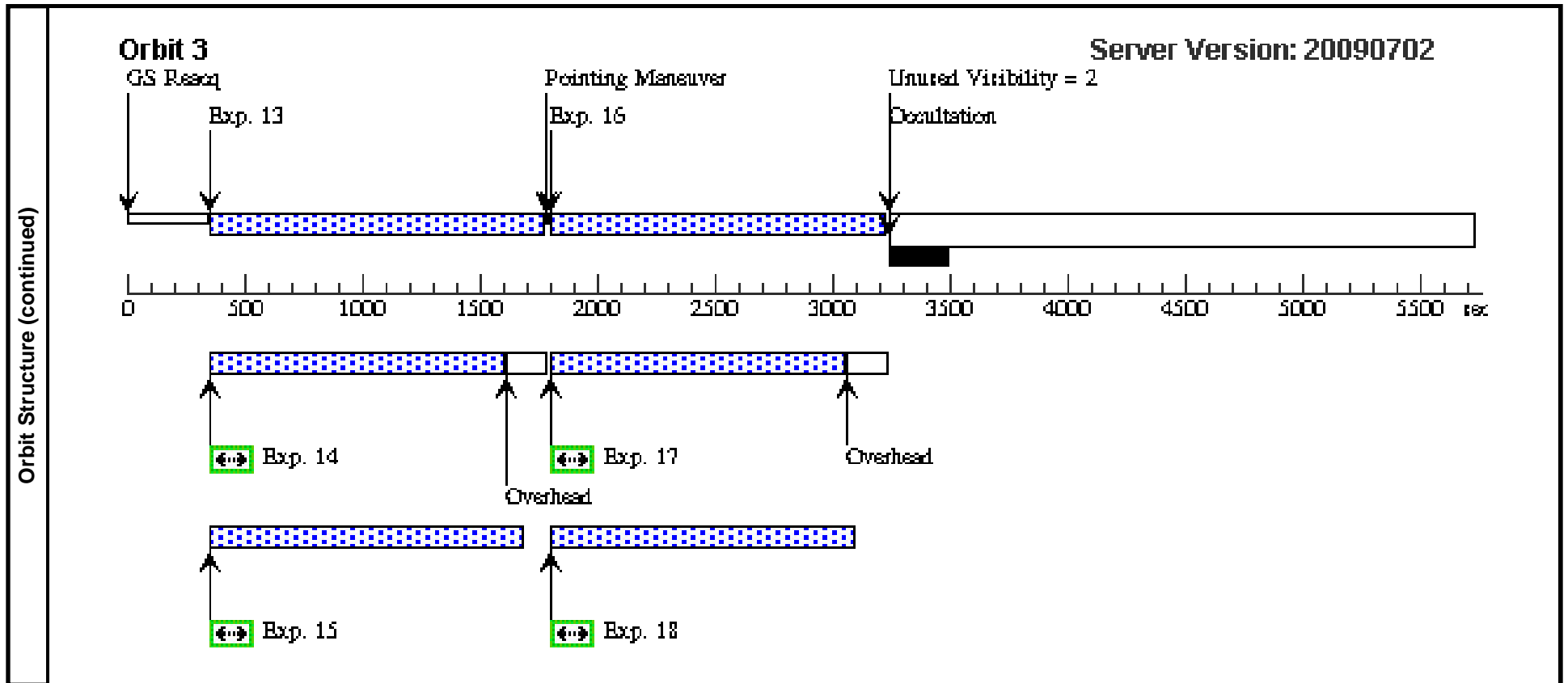
Visit		Proposal 11144, Visit 03, completed Diagnostic Status: No Diagnostics Scientific Instruments: ACS/SBC, WFPC2, NIC3 Special Requirements: ORIENT 255.0D TO 285.0 D; ORIENT 345.0D TO 15.0 D; ORIENT 75.0D TO 105.0 D; ORIENT 165.0D TO 195.0 D								
Fixed Targets	#	Name	Target Coordinates	Targ. Coord. Corrections	Fluxes	Miscellaneous				
	(3)	GOODS-N3	RA: 12 36 10.0831 (189.0420129d) Dec: +62 08 53.80 (62.14828d) Equinox: J2000		V=25	Reference Frame: ICRS				
<i>Comments: Same as GOODS-N19 (from 11082)</i>										
Exposures	#	Label	Target	Config,Mode,Aperture	Spectral Els.	Opt. Params.	Special Reqs.	Groups	Exp. Time/[Actual Dur.]	Orbit
	1	(3) GOODS-N3	NIC3, MULTIACCUM, NIC3	F110W	SAMP-SEQ=SPARS 64; NSAMP=23	POS TARG 0.0,-0.4 06	Prime + Parallel Group 1-3	[==>]	[1]	
	2	ANY	WFPC2, IMAGE, WF3-FIX	F300W	CR-SPLIT=NO		Prime + Parallel Group 1-3	1000.0 Secs [==>1000.0 Secs ]	[1]	
	3	ANY	ACS/SBC, ACCUM, SBC	F150LP			Prime + Parallel Group 1-3	1250.0 Secs [==>1290.0 Secs ]	[1]	
	4	(3) GOODS-N3	NIC3, MULTIACCUM, NIC3	F110W	SAMP-SEQ=SPARS 64; NSAMP=24	POS TARG 0.753,-0 .102	Prime + Parallel Group 4-6	[==>]	[1]	
	5	ANY	WFPC2, IMAGE, WF3-FIX	F300W	CR-SPLIT=NO		Prime + Parallel Group 4-6	1100.0 Secs [==>1200.0 Secs ]	[1]	
	6	ANY	ACS/SBC, ACCUM, SBC	F150LP			Prime + Parallel Group 4-6	1250.0 Secs [==>1393.0 Secs ]	[1]	
	7	(3) GOODS-N3	NIC3, MULTIACCUM, NIC3	F110W	SAMP-SEQ=SPARS 64; NSAMP=23	POS TARG 0.44870 000000000004,0.651	Prime + Parallel Group 7-9	[==>]	[2]	
	8	ANY	WFPC2, IMAGE, WF3-FIX	F300W	CR-SPLIT=NO		Prime + Parallel Group 7-9	1000.0 Secs [==>1000.0 Secs ]	[2]	
	9	ANY	ACS/SBC, ACCUM, SBC	F150LP			Prime + Parallel Group 7-9	1250.0 Secs [==>1329.0 Secs ]	[2]	
	10	(3) GOODS-N3	NIC3, MULTIACCUM, NIC3	F110W	SAMP-SEQ=SPARS 64; NSAMP=24	POS TARG -0.3042, 0.3469	Prime + Parallel Group 10-12	[==>]	[2]	
	11	ANY	WFPC2, IMAGE, WF3-FIX	F300W	CR-SPLIT=NO		Prime + Parallel Group 10-12	1100.0 Secs [==>1200.0 Secs ]	[2]	
12	ANY	ACS/SBC, ACCUM, SBC	F150LP			Prime + Parallel Group 10-12	1250.0 Secs [==>1393.0 Secs ]	[2]		

Proposal 11144 - Visit 03 - Building on the Significant NICMOS Investment in GOODS: A Bright, Wide-Area Search for z>...

Exposures (continued)	#	Label	Target	Config,Mode,Aperture	Spectral Els.	Opt. Params.	Special Reqs.	Groups	Exp. Time/[Actual Dur.]	Orbit
	13		(3) GOODS-N3	NIC3, MULTIACCUM, NIC3	F110W	SAMP-SEQ=SPARS 64; NSAMP=24	POS TARG -1.057,0 .0427	Prime + Parallel Gro up 13-15	[==>]	[3]
	14		ANY	WFPC2, IMAGE, WF3-FIX	F300W	CR-SPLIT=NO		Prime + Parallel Gro up 13-15	1100.0 Secs [==>1100.0 Secs ]	[3]
	15		ANY	ACS/SBC, ACCUM, SBC	F150LP			Prime + Parallel Gro up 13-15	1250.0 Secs [==>1300.0 Secs ]	[3]
	16		(3) GOODS-N3	NIC3, MULTIACCUM, NIC3	F110W	SAMP-SEQ=SPARS 64; NSAMP=24	POS TARG -0.7529, -0.7102	Prime + Parallel Gro up 16-18	[==>]	[3]
	17		ANY	WFPC2, IMAGE, WF3-FIX	F300W	CR-SPLIT=NO		Prime + Parallel Gro up 16-18	1100.0 Secs [==>1100.0 Secs ]	[3]
	18		ANY	ACS/SBC, ACCUM, SBC	F150LP			Prime + Parallel Gro up 16-18	1250.0 Secs [==>1260.0 Secs ]	[3]



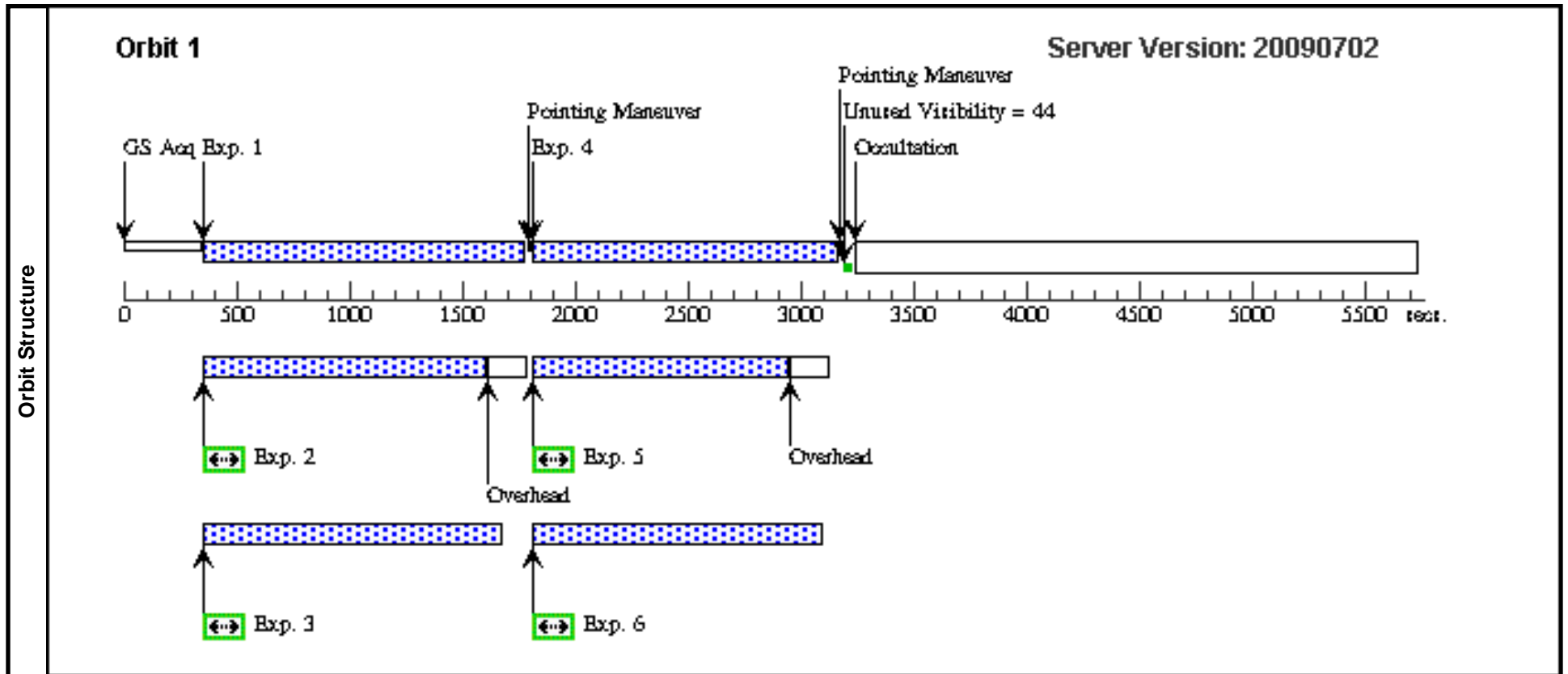


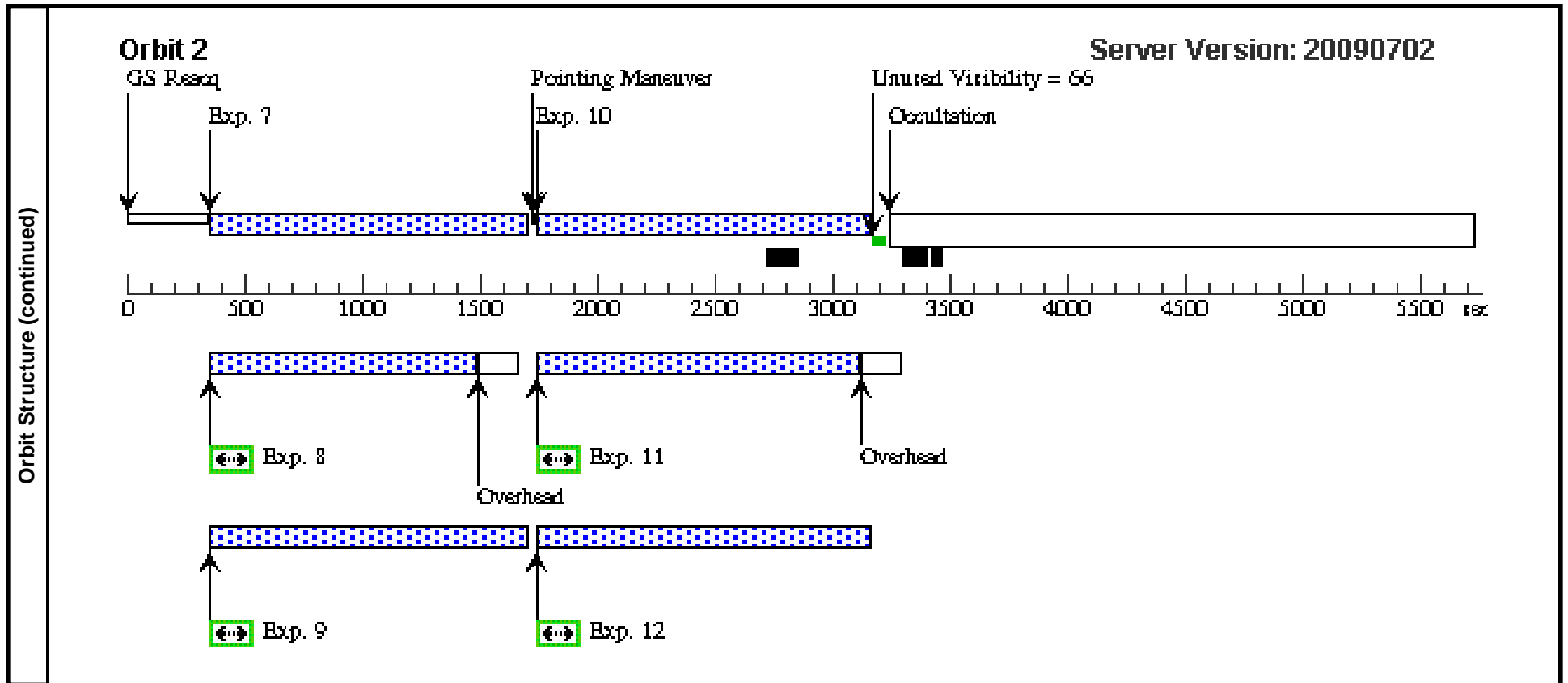


Proposal 11144 - Visit 04 - Building on the Significant NICMOS Investment in GOODS: A Bright, Wide-Area Search for z>...

Thu Sep 24 01:05:00 GMT 2009

Visit	<b>Proposal 11144, Visit 04, completed</b> <b>Diagnostic Status: No Diagnostics</b> Scientific Instruments: ACS/SBC, WFPC2, NIC3 Special Requirements: ORIENT 280.0D TO 310.0 D; ORIENT 10.0D TO 40.0 D; ORIENT 100.0D TO 140.0 D; ORIENT 190.0D TO 220.0 D									
	Fixed Targets	#	Name	Target Coordinates	Targ. Coord. Corrections	Fluxes	Miscellaneous			
	(4)	GOODS-N4	RA: 12 36 45.2300 (189.1884583d) Dec: +62 16 8.00 (62.26889d) Equinox: J2000			V=25	Reference Frame: ICRS	<i>Comments: GOODS-N3 (from 11082)</i>		
Exposures	#	Label	Target	Config,Mode,Aperture	Spectral Els.	Opt. Params.	Special Reqs.	Groups	Exp. Time/[Actual Dur.]	Orbit
	1	(4) GOODS-N4	NIC3, MULTIACCUM, NIC3	F110W	SAMP-SEQ=SPARS 64; NSAMP=24	POS TARG 0.753,-0.102	Prime + Parallel Group 1-3	[==>]	[1]	
	2	ANY	WFPC2, IMAGE, WF3-FIX	F300W	CR-SPLIT=NO		Prime + Parallel Group 1-3	1100.0 Secs [==>]	[1]	
	3	ANY	ACS/SBC, ACCUM, SBC	F150LP			Prime + Parallel Group 1-3	1250.0 Secs [==>]	[1]	
	4	(4) GOODS-N4	NIC3, MULTIACCUM, NIC3	F110W	SAMP-SEQ=SPARS 64; NSAMP=23	POS TARG 0.0,-0.406	Prime + Parallel Group 4-6	[==>]	[1]	
	5	ANY	WFPC2, IMAGE, WF3-FIX	F300W	CR-SPLIT=NO		Prime + Parallel Group 4-6	1000.0 Secs [==>]	[1]	
	6	ANY	ACS/SBC, ACCUM, SBC	F150LP			Prime + Parallel Group 4-6	1250.0 Secs [==>]	[1]	
	7	(4) GOODS-N4	NIC3, MULTIACCUM, NIC3	F110W	SAMP-SEQ=SPARS 64; NSAMP=23	POS TARG 0.4487000000000004,0.651	Prime + Parallel Group 7-9	[==>]	[2]	
	8	ANY	WFPC2, IMAGE, WF3-FIX	F300W	CR-SPLIT=NO		Prime + Parallel Group 7-9	1000.0 Secs [==>1000.0 Secs ]	[2]	
	9	ANY	ACS/SBC, ACCUM, SBC	F150LP			Prime + Parallel Group 7-9	1250.0 Secs [==>1329.0 Secs ]	[2]	
	10	(4) GOODS-N4	NIC3, MULTIACCUM, NIC3	F110W	SAMP-SEQ=SPARS 64; NSAMP=24	POS TARG -0.3042,0.3469	Prime + Parallel Group 10-12	[==>]	[2]	
	11	ANY	WFPC2, IMAGE, WF3-FIX	F300W	CR-SPLIT=NO		Prime + Parallel Group 10-12	1100.0 Secs [==>1200.0 Secs ]	[2]	
12	ANY	ACS/SBC, ACCUM, SBC	F150LP			Prime + Parallel Group 10-12	1250.0 Secs [==>1393.0 Secs ]	[2]		





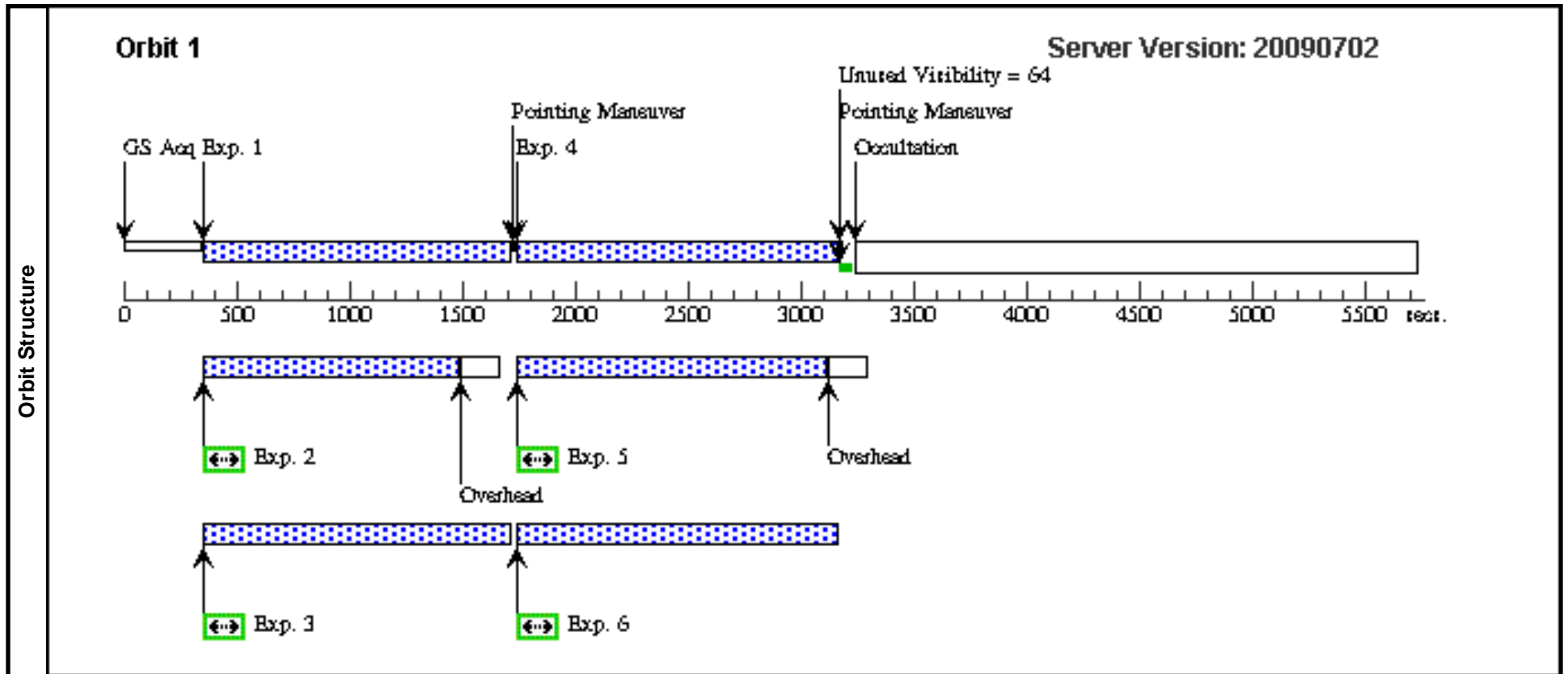
Proposal 11144 - Visit 05 - Building on the Significant NICMOS Investment in GOODS: A Bright, Wide-Area Search for z>...

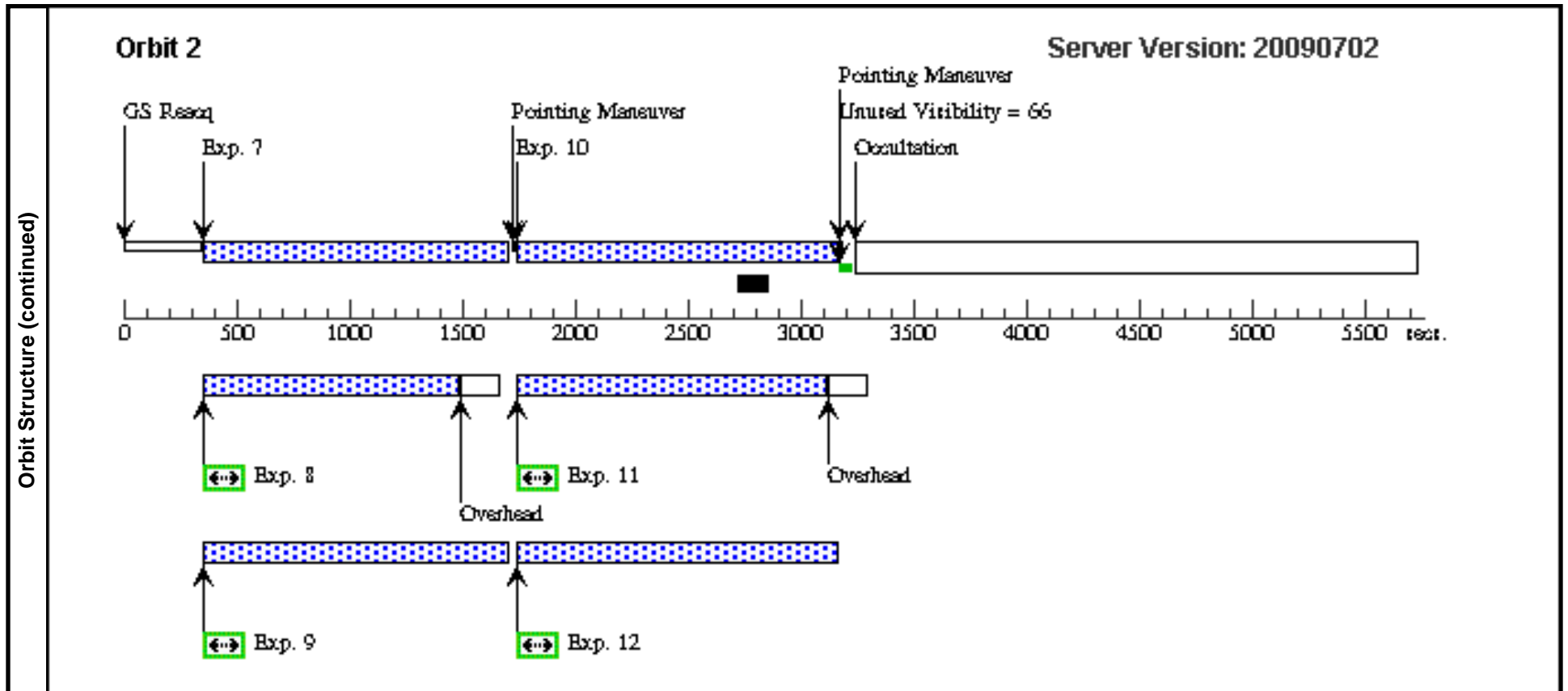
Thu Sep 24 01:05:00 GMT 2009

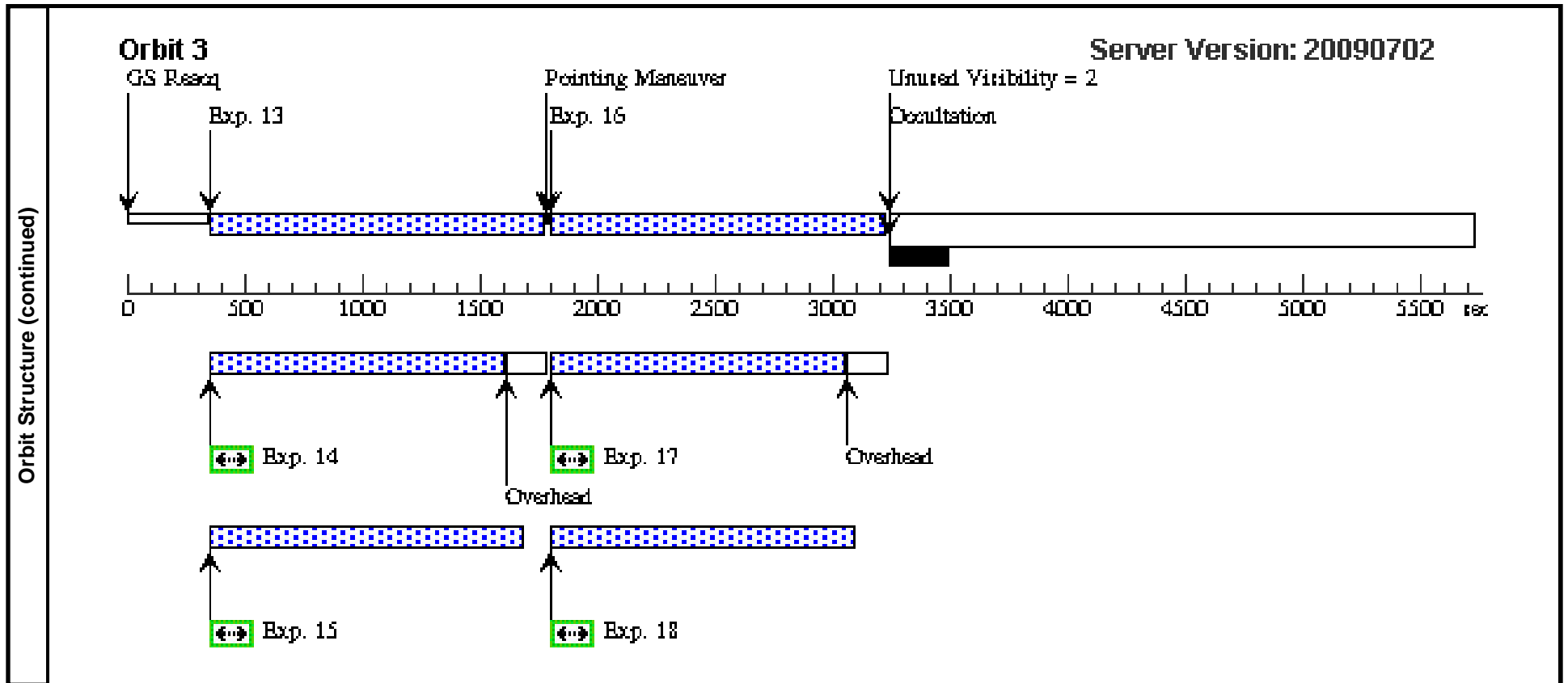
Visit	Proposal 11144, Visit 05, completed									
	Diagnostic Status: No Diagnostics									
Scientific Instruments: ACS/SBC, WFPC2, NIC3										
Special Requirements: ORIENT 285.0D TO 315.0 D; ORIENT 15.0D TO 45.0 D; ORIENT 105.0D TO 135.0 D; ORIENT 195.0D TO 225.0 D										
Fixed Targets	#	Name	Target Coordinates	Targ. Coord. Corrections	Fluxes	Miscellaneous				
		(5)	GOODS-N5	RA: 12 36 31.8201 (189.1325838d) Dec: +62 06 43.68 (62.11213d) Equinox: J2000		V=25	Reference Frame: ICRS			
<i>Comments: GOODS-N1 (from 11082)</i>										
Exposures	#	Label	Target	Config,Mode,Aperture	Spectral Els.	Opt. Params.	Special Reqs.	Groups	Exp. Time/[Actual Dur.]	Orbit
	1		(5) GOODS-N5	NIC3, MULTIACCUM, NIC3	F110W	SAMP-SEQ=SPARS 64; NSAMP=23	POS TARG 0.0,-0.4 06	Prime + Parallel Gro up 1-3	[==>]	[1]
	2		ANY	WFPC2, IMAGE, WF3-FIX	F300W	CR-SPLIT=NO		Prime + Parallel Gro up 1-3	1000.0 Secs [==>1000.0 Secs ]	[1]
	3		ANY	ACS/SBC, ACCUM, SBC	F150LP			Prime + Parallel Gro up 1-3	1250.0 Secs [==>1290.0 Secs ]	[1]
	4		(5) GOODS-N5	NIC3, MULTIACCUM, NIC3	F110W	SAMP-SEQ=SPARS 64; NSAMP=24	POS TARG 0.753,-0 .102	Prime + Parallel Gro up 4-6	[==>]	[1]
	5		ANY	WFPC2, IMAGE, WF3-FIX	F300W	CR-SPLIT=NO		Prime + Parallel Gro up 4-6	1100.0 Secs [==>1200.0 Secs ]	[1]
	6		ANY	ACS/SBC, ACCUM, SBC	F150LP			Prime + Parallel Gro up 4-6	1250.0 Secs [==>1393.0 Secs ]	[1]
	7		(5) GOODS-N5	NIC3, MULTIACCUM, NIC3	F110W	SAMP-SEQ=SPARS 64; NSAMP=23	POS TARG 0.44870 000000000004,0.651	Prime + Parallel Gro up 7-9	[==>]	[2]
	8		ANY	WFPC2, IMAGE, WF3-FIX	F300W	CR-SPLIT=NO		Prime + Parallel Gro up 7-9	1000.0 Secs [==>1000.0 Secs ]	[2]
	9		ANY	ACS/SBC, ACCUM, SBC	F150LP			Prime + Parallel Gro up 7-9	1250.0 Secs [==>1329.0 Secs ]	[2]
	10		(5) GOODS-N5	NIC3, MULTIACCUM, NIC3	F110W	SAMP-SEQ=SPARS 64; NSAMP=24	POS TARG -0.3042, 0.3469	Prime + Parallel Gro up 10-12	[==>]	[2]
	11		ANY	WFPC2, IMAGE, WF3-FIX	F300W	CR-SPLIT=NO		Prime + Parallel Gro up 10-12	1100.0 Secs [==>1200.0 Secs ]	[2]
12		ANY	ACS/SBC, ACCUM, SBC	F150LP			Prime + Parallel Gro up 10-12	1250.0 Secs [==>1393.0 Secs ]	[2]	

Proposal 11144 - Visit 05 - Building on the Significant NICMOS Investment in GOODS: A Bright, Wide-Area Search for z>...

Exposures (continued)	#	Label	Target	Config,Mode,Aperture	Spectral Els.	Opt. Params.	Special Reqs.	Groups	Exp. Time/[Actual Dur.]	Orbit
	13		(5) GOODS-N5	NIC3, MULTIACCUM, NIC3	F110W	SAMP-SEQ=SPARS 64; NSAMP=24	POS TARG -1.057,0 .0427	Prime + Parallel Gro up 13-15	[==>]	[3]
	14		ANY	WFPC2, IMAGE, WF3-FIX	F300W	CR-SPLIT=NO		Prime + Parallel Gro up 13-15	1100.0 Secs [==>1100.0 Secs ]	[3]
	15		ANY	ACS/SBC, ACCUM, SBC	F150LP			Prime + Parallel Gro up 13-15	1250.0 Secs [==>1300.0 Secs ]	[3]
	16		(5) GOODS-N5	NIC3, MULTIACCUM, NIC3	F110W	SAMP-SEQ=SPARS 64; NSAMP=24	POS TARG -0.7529, -0.7102	Prime + Parallel Gro up 16-18	[==>]	[3]
	17		ANY	WFPC2, IMAGE, WF3-FIX	F300W	CR-SPLIT=NO		Prime + Parallel Gro up 16-18	1100.0 Secs [==>1100.0 Secs ]	[3]
	18		ANY	ACS/SBC, ACCUM, SBC	F150LP			Prime + Parallel Gro up 16-18	1250.0 Secs [==>1260.0 Secs ]	[3]



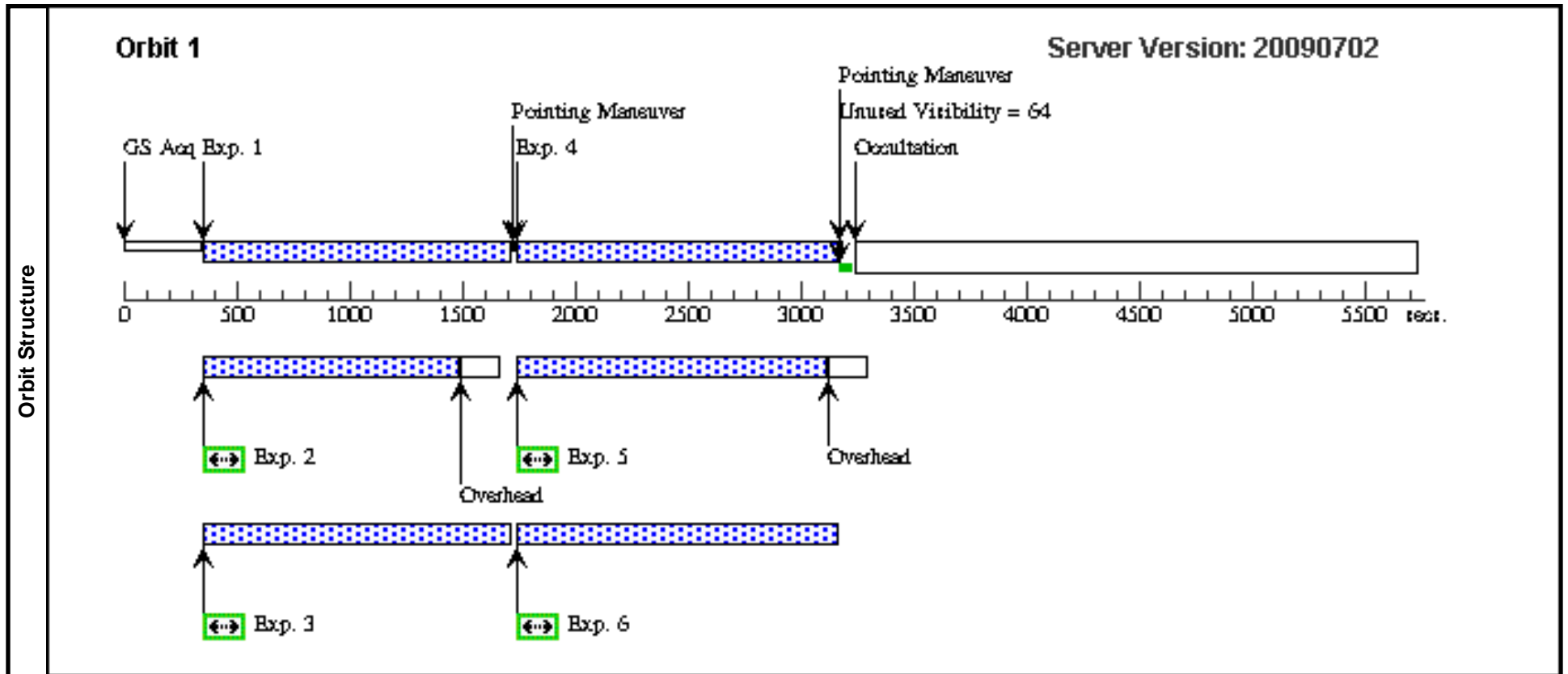


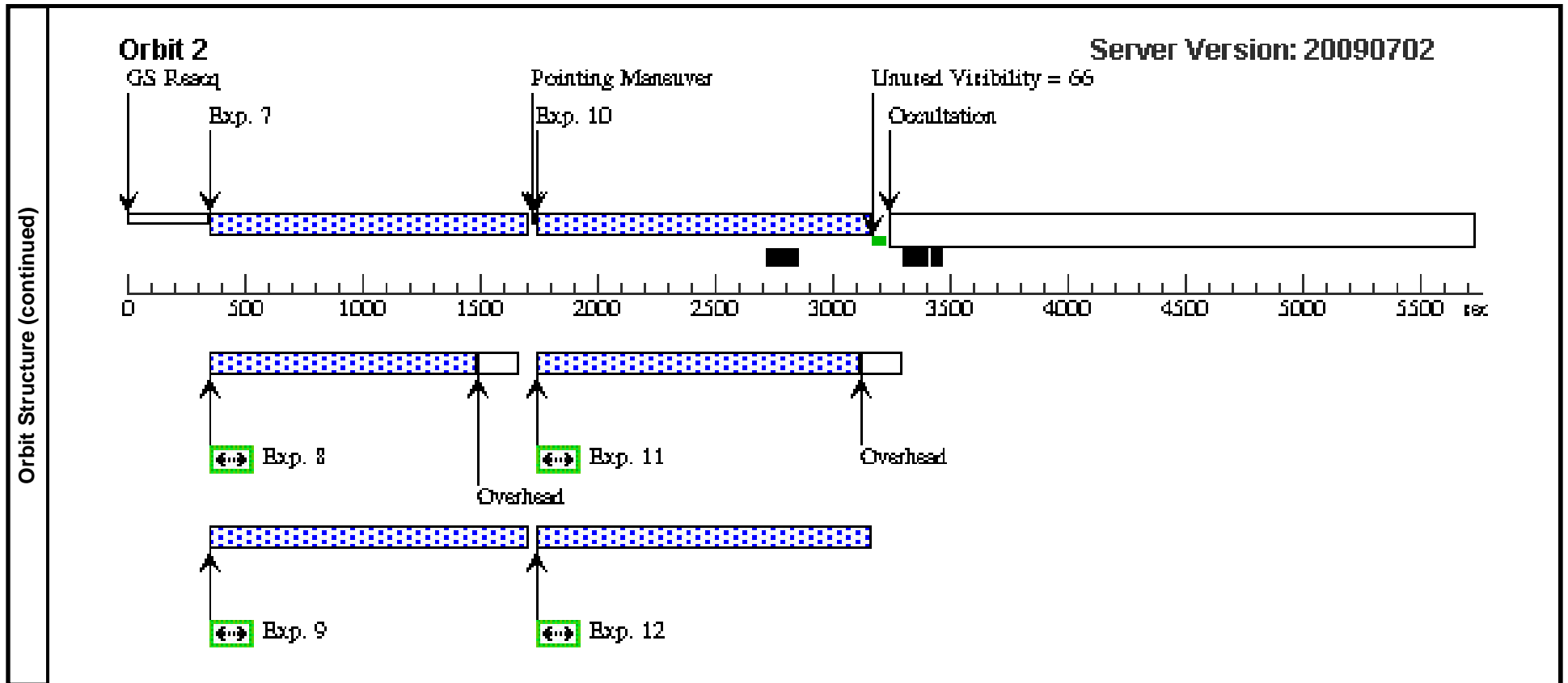


Proposal 11144 - Visit 06 - Building on the Significant NICMOS Investment in GOODS: A Bright, Wide-Area Search for z>...

Thu Sep 24 01:05:01 GMT 2009

Visit	<b>Proposal 11144, Visit 06, completed</b> <b>Diagnostic Status: No Diagnostics</b> Scientific Instruments: ACS/SBC, WFPC2, NIC3 Special Requirements: ORIENT 100D TO 110 D									
	Fixed Targets	#	Name	Target Coordinates	Targ. Coord. Corrections	Fluxes	Miscellaneous			
	(6)	GOODS-N6	RA: 12 36 14.7000 (189.0612500d) Dec: +62 10 22.00 (62.17278d) Equinox: J2000			V=25	Reference Frame: ICRS	<i>Comments: GOODS-N10 (from 11082)</i>		
Exposures	#	Label	Target	Config,Mode,Aperture	Spectral Els.	Opt. Params.	Special Reqs.	Groups	Exp. Time/[Actual Dur.]	Orbit
	1	(6) GOODS-N6	NIC3, MULTIACCUM, NIC3	F110W	SAMP-SEQ=SPARS 64; NSAMP=23	POS TARG 0.0,-0.4 06	Prime + Parallel Group 1-3	[==>]	[1]	
	2	ANY	WFPC2, IMAGE, WF3-FIX	F300W	CR-SPLIT=NO		Prime + Parallel Group 1-3	1000.0 Secs [==>1000.0 Secs ]	[1]	
	3	ANY	ACS/SBC, ACCUM, SBC	F150LP			Prime + Parallel Group 1-3	1250.0 Secs [==>1290.0 Secs ]	[1]	
	4	(6) GOODS-N6	NIC3, MULTIACCUM, NIC3	F110W	SAMP-SEQ=SPARS 64; NSAMP=24	POS TARG 0.753,-0 .102	Prime + Parallel Group 4-6	[==>]	[1]	
	5	ANY	WFPC2, IMAGE, WF3-FIX	F300W	CR-SPLIT=NO		Prime + Parallel Group 4-6	1100.0 Secs [==>1200.0 Secs ]	[1]	
	6	ANY	ACS/SBC, ACCUM, SBC	F150LP			Prime + Parallel Group 4-6	1250.0 Secs [==>1393.0 Secs ]	[1]	
	7	(6) GOODS-N6	NIC3, MULTIACCUM, NIC3	F110W	SAMP-SEQ=SPARS 64; NSAMP=23	POS TARG 0.44870 000000000004,0.651	Prime + Parallel Group 7-9	[==>]	[2]	
	8	ANY	WFPC2, IMAGE, WF3-FIX	F300W	CR-SPLIT=NO		Prime + Parallel Group 7-9	1000.0 Secs [==>1000.0 Secs ]	[2]	
	9	ANY	ACS/SBC, ACCUM, SBC	F150LP			Prime + Parallel Group 7-9	1250.0 Secs [==>1329.0 Secs ]	[2]	
	10	(6) GOODS-N6	NIC3, MULTIACCUM, NIC3	F110W	SAMP-SEQ=SPARS 64; NSAMP=24	POS TARG -0.3042, 0.3469	Prime + Parallel Group 10-12	[==>]	[2]	
	11	ANY	WFPC2, IMAGE, WF3-FIX	F300W	CR-SPLIT=NO		Prime + Parallel Group 10-12	1100.0 Secs [==>1200.0 Secs ]	[2]	
12	ANY	ACS/SBC, ACCUM, SBC	F150LP			Prime + Parallel Group 10-12	1250.0 Secs [==>1393.0 Secs ]	[2]		





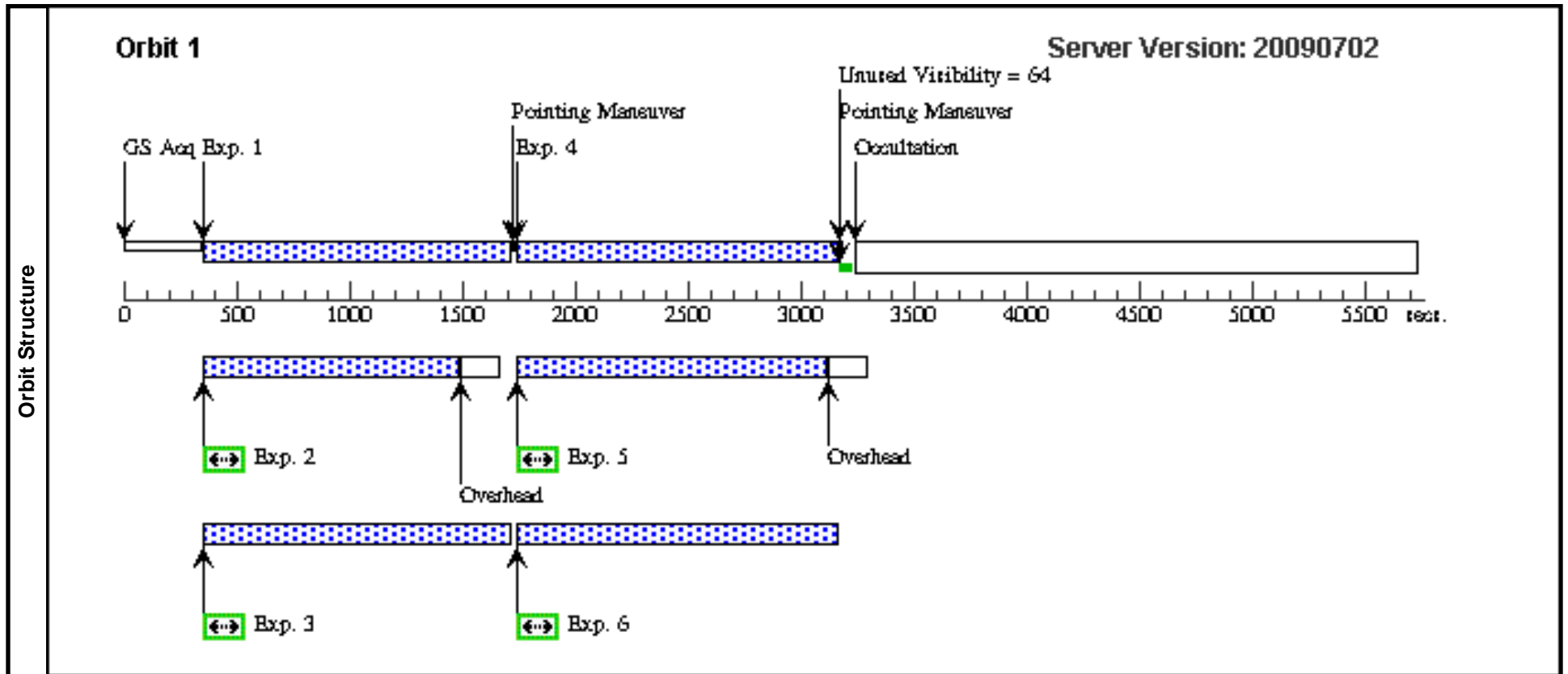
Proposal 11144 - Visit 07 - Building on the Significant NICMOS Investment in GOODS: A Bright, Wide-Area Search for z>...

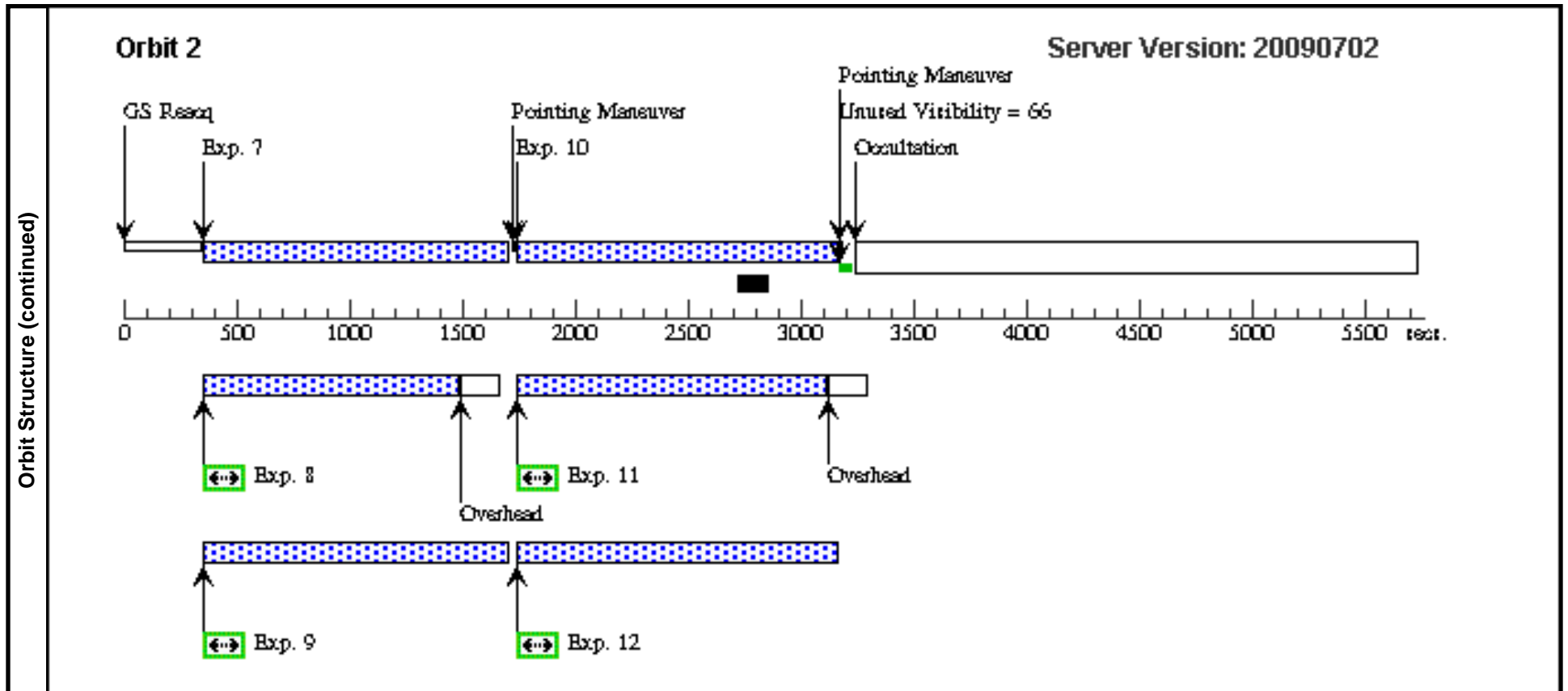
Thu Sep 24 01:05:02 GMT 2009

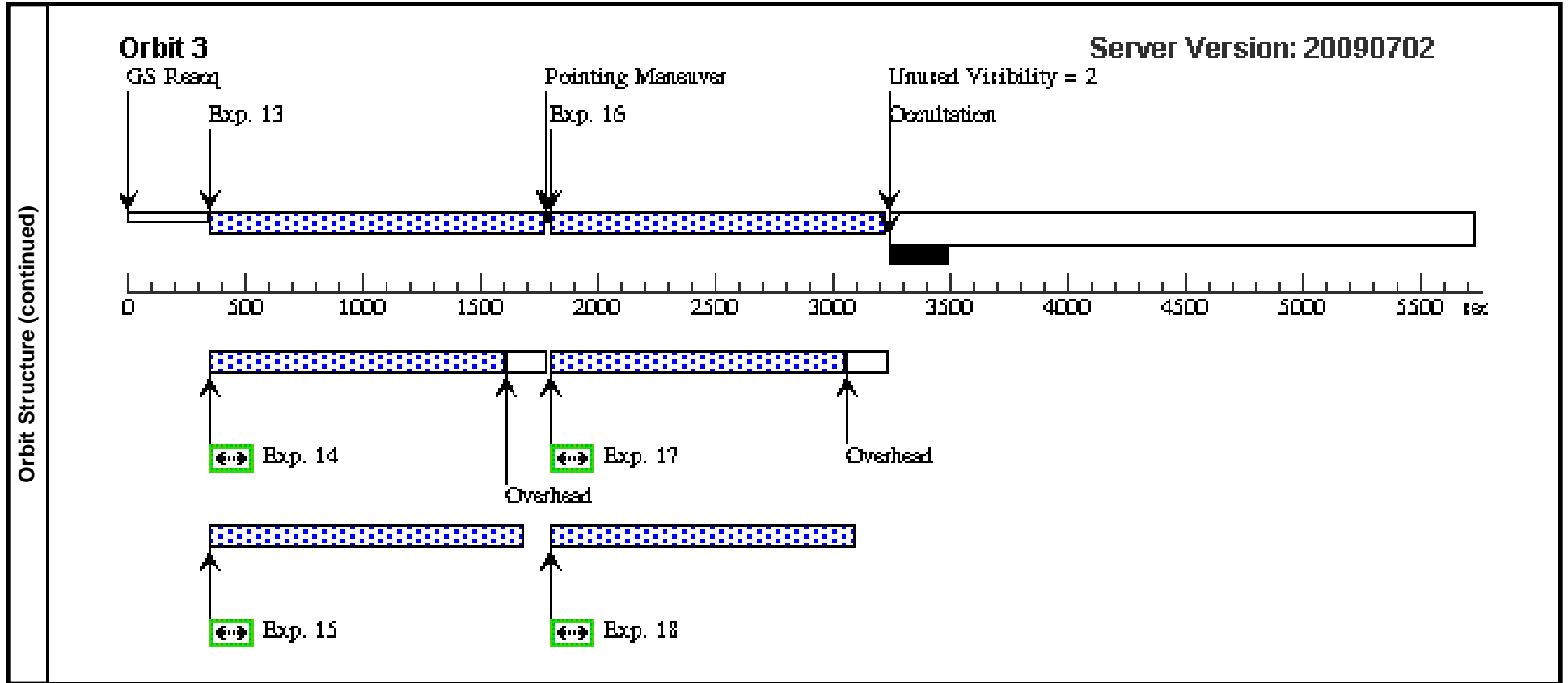
Visit	Proposal 11144, Visit 07, completed									
	Diagnostic Status: No Diagnostics									
Fixed Targets	Scientific Instruments: ACS/SBC, WFPC2, NIC3									
	Special Requirements: ORIENT 290.0D TO 310.0 D; ORIENT 20.0D TO 40.0 D; ORIENT 110.0D TO 130.0 D; ORIENT 200.0D TO 220.0 D									
#	Name	Target Coordinates	Targ. Coord. Corrections	Fluxes	Miscellaneous					
(7)	GOODS-N7	RA: 12 37 4.4878 (189.2686992d) Dec: +62 11 37.29 (62.19369d) Equinox: J2000		V=25	Reference Frame: ICRS					
<i>Comments: Same as GOODS-N12 (from GO-11082)</i>										
Exposures	#	Label	Target	Config,Mode,Aperture	Spectral Els.	Opt. Params.	Special Reqs.	Groups	Exp. Time/[Actual Dur.]	Orbit
	1	(7) GOODS-N7	NIC3, MULTIACCUM, NIC3	F110W	SAMP-SEQ=SPARS 64; NSAMP=23	POS TARG 0.0,-0.4 06	Prime + Parallel Group 1-3	[==>]	[1]	
	2	ANY	WFPC2, IMAGE, WF3-FIX	F300W	CR-SPLIT=NO		Prime + Parallel Group 1-3	1000.0 Secs [==>1000.0 Secs ]	[1]	
	3	ANY	ACS/SBC, ACCUM, SBC	F150LP			Prime + Parallel Group 1-3	1250.0 Secs [==>1290.0 Secs ]	[1]	
	4	(7) GOODS-N7	NIC3, MULTIACCUM, NIC3	F110W	SAMP-SEQ=SPARS 64; NSAMP=24	POS TARG 0.753,-0 .102	Prime + Parallel Group 4-6	[==>]	[1]	
	5	ANY	WFPC2, IMAGE, WF3-FIX	F300W	CR-SPLIT=NO		Prime + Parallel Group 4-6	1100.0 Secs [==>1200.0 Secs ]	[1]	
	6	ANY	ACS/SBC, ACCUM, SBC	F150LP			Prime + Parallel Group 4-6	1250.0 Secs [==>1393.0 Secs ]	[1]	
	7	(7) GOODS-N7	NIC3, MULTIACCUM, NIC3	F110W	SAMP-SEQ=SPARS 64; NSAMP=23	POS TARG 0.44870 000000000004,0.651	Prime + Parallel Group 7-9	[==>]	[2]	
	8	ANY	WFPC2, IMAGE, WF3-FIX	F300W	CR-SPLIT=NO		Prime + Parallel Group 7-9	1000.0 Secs [==>1000.0 Secs ]	[2]	
	9	ANY	ACS/SBC, ACCUM, SBC	F150LP			Prime + Parallel Group 7-9	1250.0 Secs [==>1329.0 Secs ]	[2]	
	10	(7) GOODS-N7	NIC3, MULTIACCUM, NIC3	F110W	SAMP-SEQ=SPARS 64; NSAMP=24	POS TARG -0.3042, 0.3469	Prime + Parallel Group 10-12	[==>]	[2]	
	11	ANY	WFPC2, IMAGE, WF3-FIX	F300W	CR-SPLIT=NO		Prime + Parallel Group 10-12	1100.0 Secs [==>1200.0 Secs ]	[2]	
12	ANY	ACS/SBC, ACCUM, SBC	F150LP			Prime + Parallel Group 10-12	1250.0 Secs [==>1393.0 Secs ]	[2]		

Proposal 11144 - Visit 07 - Building on the Significant NICMOS Investment in GOODS: A Bright, Wide-Area Search for z>...

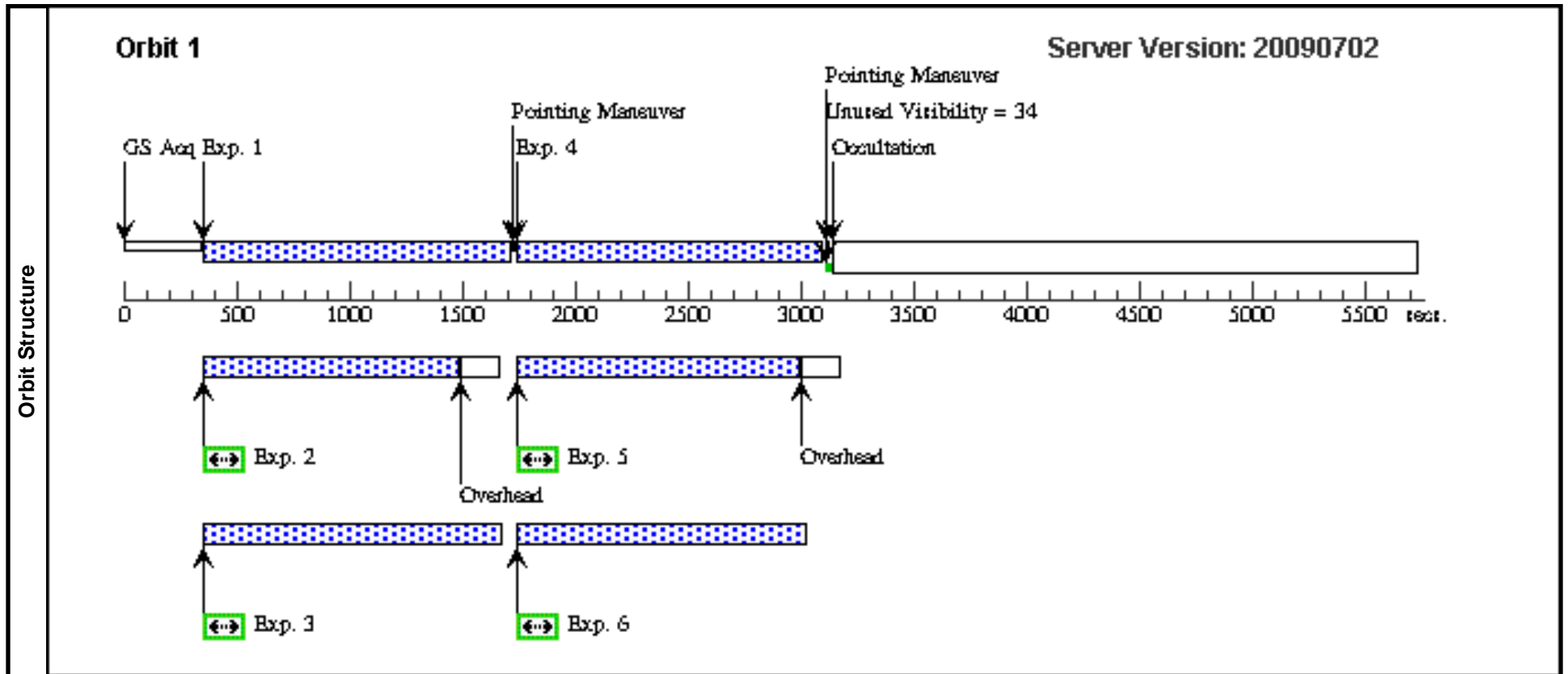
Exposures (continued)	#	Label	Target	Config,Mode,Aperture	Spectral Els.	Opt. Params.	Special Reqs.	Groups	Exp. Time/[Actual Dur.]	Orbit
	13		(7) GOODS-N7	NIC3, MULTIACCUM, NIC3	F110W	SAMP-SEQ=SPARS 64; NSAMP=24	POS TARG -1.057,0 .0427	Prime + Parallel Gro up 13-15	[==>]	[3]
	14		ANY	WFPC2, IMAGE, WF3-FIX	F300W	CR-SPLIT=NO		Prime + Parallel Gro up 13-15	1100.0 Secs [==>1100.0 Secs ]	[3]
	15		ANY	ACS/SBC, ACCUM, SBC	F150LP			Prime + Parallel Gro up 13-15	1250.0 Secs [==>1300.0 Secs ]	[3]
	16		(7) GOODS-N7	NIC3, MULTIACCUM, NIC3	F110W	SAMP-SEQ=SPARS 64; NSAMP=24	POS TARG -0.7529, -0.7102	Prime + Parallel Gro up 16-18	[==>]	[3]
	17		ANY	WFPC2, IMAGE, WF3-FIX	F300W	CR-SPLIT=NO		Prime + Parallel Gro up 16-18	1100.0 Secs [==>1100.0 Secs ]	[3]
	18		ANY	ACS/SBC, ACCUM, SBC	F150LP			Prime + Parallel Gro up 16-18	1250.0 Secs [==>1260.0 Secs ]	[3]

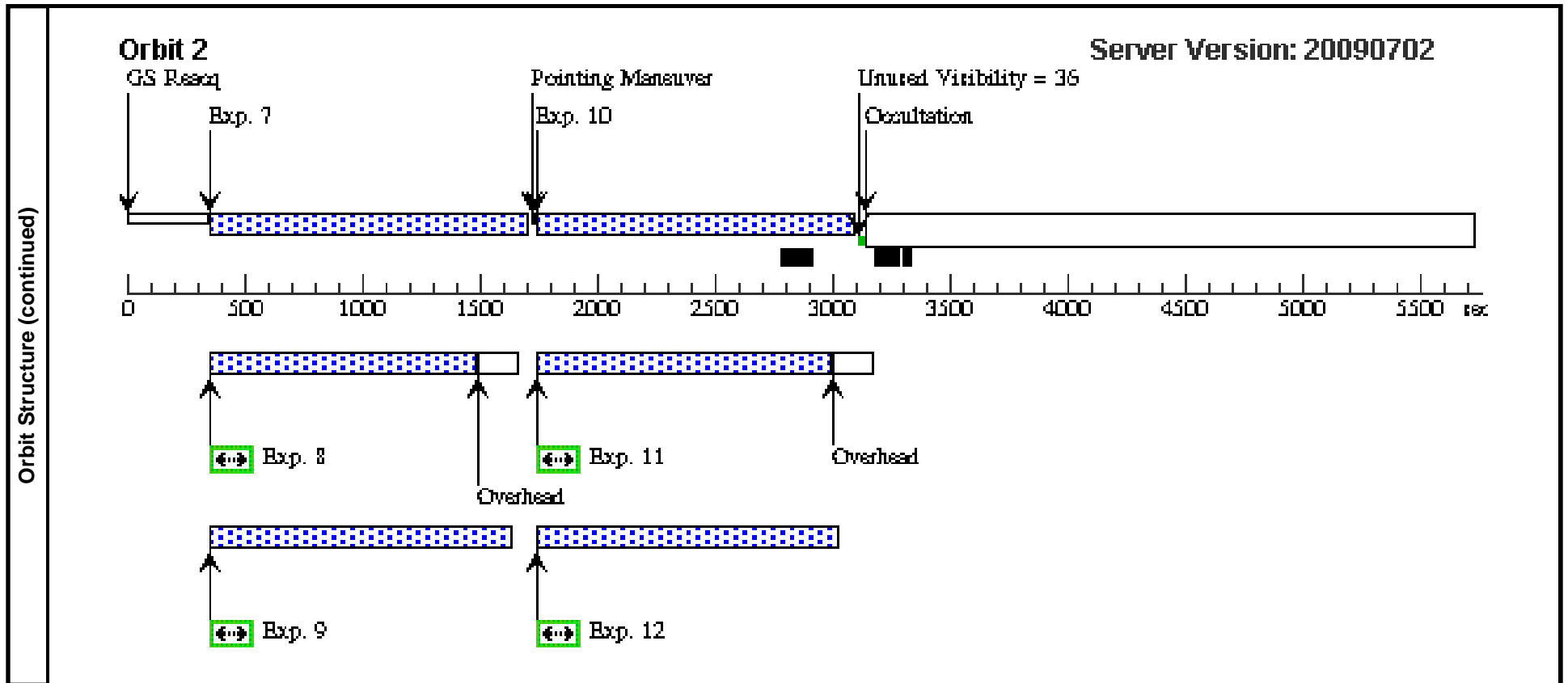






Visit	Proposal 11144, Visit 08, completed Diagnostic Status: No Diagnostics Scientific Instruments: ACS/SBC, WFPC2, NIC3 Special Requirements: ORIENT 249.67D TO 259.67 D									
	Fixed Targets	#	Name	Target Coordinates	Targ. Coord.	Corrections	Fluxes	Miscellaneous		
	(8)	HUDFCAND3	RA: 03 32 42.6500 (53.1777083d) Dec: -27 47 22.87 (-27.78969d) Equinox: J2000			V=25	Reference Frame: ICRS			
Exposures	#	Label	Target	Config,Mode,Aperture	Spectral Els.	Opt. Params.	Special Reqs.	Groups	Exp. Time/[Actual Dur.]	Orbit
	1	(8) HUDFCAND3	NIC3, MULTIACCUM, NIC3	F110W	SAMP-SEQ=SPARS 64; NSAMP=23	POS TARG 0.0,-0.4 06	Prime + Parallel Group 1-3	[==>]	[1]	
	2	ANY	WFPC2, IMAGE, WF3-FIX	F300W	CR-SPLIT=NO		Prime + Parallel Group 1-3	1000.0 Secs [==>]	[1]	
	3	ANY	ACS/SBC, ACCUM, SBC	F150LP			Prime + Parallel Group 1-3	1250.0 Secs [==>]	[1]	
	4	(8) HUDFCAND3	NIC3, MULTIACCUM, NIC3	F110W	SAMP-SEQ=SPARS 64; NSAMP=23	POS TARG 0.753,-0 .102	Prime + Parallel Group 4-6	[==>]	[1]	
	5	ANY	WFPC2, IMAGE, WF3-FIX	F300W	CR-SPLIT=NO		Prime + Parallel Group 4-6	1100.0 Secs [==>]	[1]	
	6	ANY	ACS/SBC, ACCUM, SBC	F150LP			Prime + Parallel Group 4-6	1250.0 Secs [==>]	[1]	
	7	(8) HUDFCAND3	NIC3, MULTIACCUM, NIC3	F110W	SAMP-SEQ=SPARS 64; NSAMP=23	POS TARG 0.44870 000000000004,0.651	Prime + Parallel Group 7-9	[==>]	[2]	
	8	ANY	WFPC2, IMAGE, WF3-FIX	F300W	CR-SPLIT=NO		Prime + Parallel Group 7-9	1000.0 Secs [==>]	[2]	
	9	ANY	ACS/SBC, ACCUM, SBC	F150LP			Prime + Parallel Group 7-9	1250.0 Secs [==>]	[2]	
	10	(8) HUDFCAND3	NIC3, MULTIACCUM, NIC3	F110W	SAMP-SEQ=SPARS 64; NSAMP=23	POS TARG -0.3042, 0.3469	Prime + Parallel Group 10-12	[==>]	[2]	
	11	ANY	WFPC2, IMAGE, WF3-FIX	F300W	CR-SPLIT=NO		Prime + Parallel Group 10-12	1100.0 Secs [==>]	[2]	
12	ANY	ACS/SBC, ACCUM, SBC	F150LP			Prime + Parallel Group 10-12	1250.0 Secs [==>]	[2]		

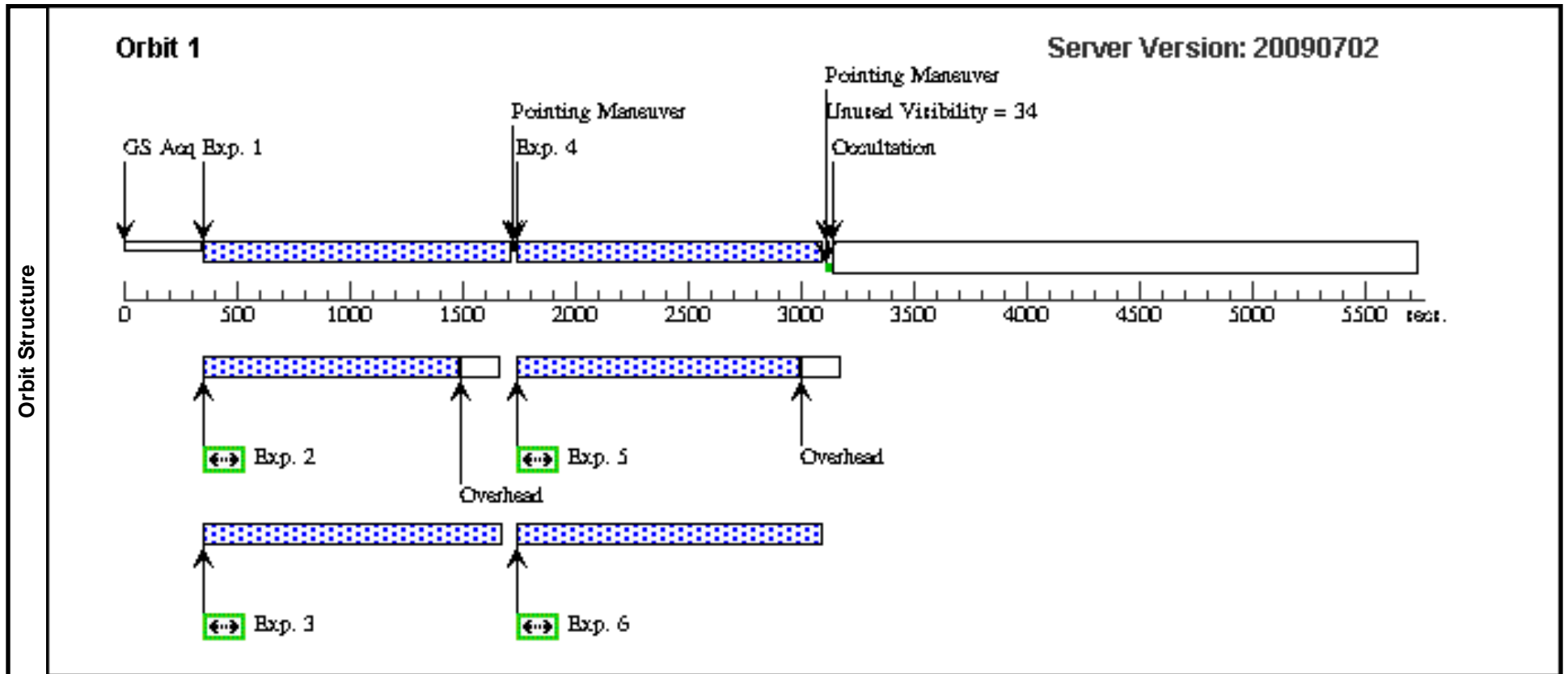


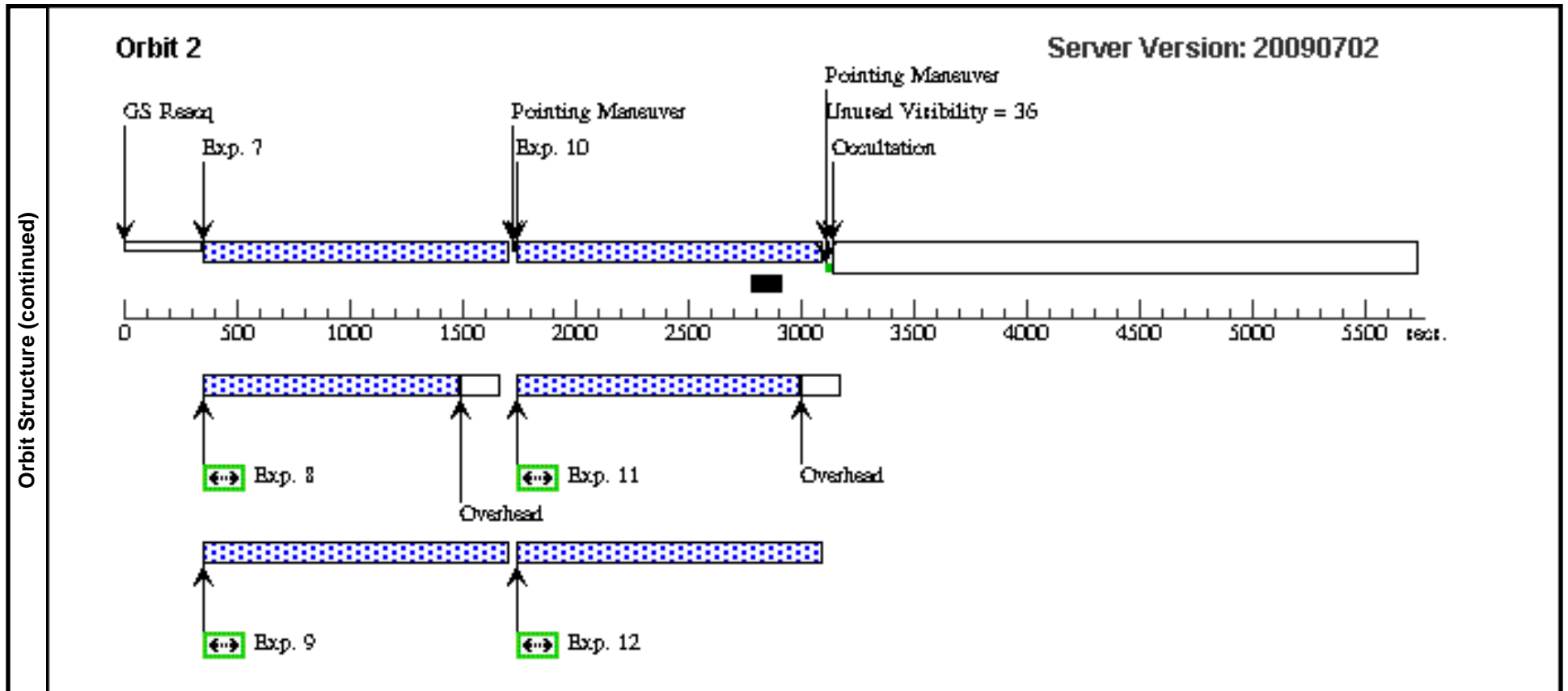


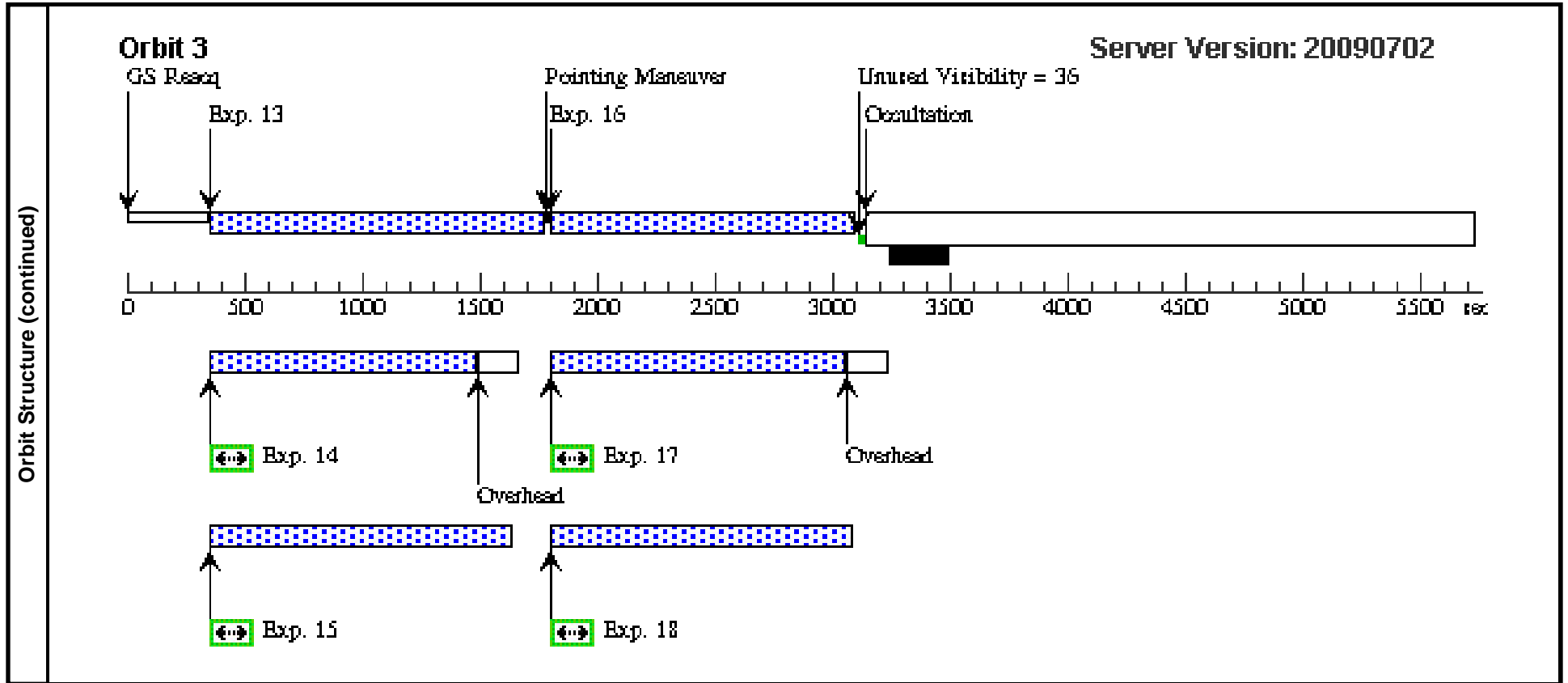
Visit	<b>Proposal 11144, Visit 09, withdrawn</b> <b>Diagnostic Status: Warning</b> Scientific Instruments: ACS/SBC, WFPC2, NIC3 Special Requirements: ORIENT 272D TO 276 D									
	(Visit 09) Warning (Orbit Planner): EXPOSURE TIME DECREASED FOR WFPC									
Fixed Targets	#	Name	Target Coordinates	Targ. Coord. Corrections	Fluxes	Miscellaneous				
	(9)	GOODS-S2-FOLLOW-UP	RA: 03 32 6.7500 (53.0281250d) Dec: -27 46 23.00 (-27.77306d) Equinox: J2000		V=25	Reference Frame: ICRS				
Exposures	#	Label	Target	Config,Mode,Aperture	Spectral Els.	Opt. Params.	Special Reqs.	Groups	Exp. Time/[Actual Dur.]	Orbit
	1		(9) GOODS-S2-FOL LOW-UP	NIC3, MULTIACCUM, NIC3	F110W	SAMP-SEQ=SPARS 64; NSAMP=23	POS TARG 0.0,-0.4 06	Prime + Parallel Group 1-3	[==>]	[1]
	2		ANY	WFPC2, IMAGE, WF3-FIX	F300W	CR-SPLIT=NO		Prime + Parallel Group 1-3	1000.0 Secs [==>1000.0 Secs ]	[1]
	3		ANY	ACS/SBC, ACCUM, SBC	F150LP			Prime + Parallel Group 1-3	1250.0 Secs [==>]	[1]
	4		(9) GOODS-S2-FOL LOW-UP	NIC3, MULTIACCUM, NIC3	F110W	SAMP-SEQ=SPARS 64; NSAMP=23	POS TARG 0.753,-0 .102	Prime + Parallel Group 4-6	[==>]	[1]
	5		ANY	WFPC2, IMAGE, WF3-FIX	F300W	CR-SPLIT=NO		Prime + Parallel Group 4-6	1100.0 Secs [==>]	[1]
	6		ANY	ACS/SBC, ACCUM, SBC	F150LP			Prime + Parallel Group 4-6	1250.0 Secs [==>1329.0 Secs ]	[1]
	7		(9) GOODS-S2-FOL LOW-UP	NIC3, MULTIACCUM, NIC3	F110W	SAMP-SEQ=SPARS 64; NSAMP=23	POS TARG 0.44870 000000000004,0.651	Prime + Parallel Group 7-9	[==>]	[2]
	8		ANY	WFPC2, IMAGE, WF3-FIX	F300W	CR-SPLIT=NO		Prime + Parallel Group 7-9	1000.0 Secs [==>1000.0 Secs ]	[2]
	9		ANY	ACS/SBC, ACCUM, SBC	F150LP			Prime + Parallel Group 7-9	1250.0 Secs [==>1329.0 Secs ]	[2]
10		(9) GOODS-S2-FOL LOW-UP	NIC3, MULTIACCUM, NIC3	F110W	SAMP-SEQ=SPARS 64; NSAMP=23	POS TARG -0.3042, 0.3469	Prime + Parallel Group 10-12	[==>]	[2]	

Proposal 11144 - Visit 09 - Building on the Significant NICMOS Investment in GOODS: A Bright, Wide-Area Search for z>...

Exposures (continued)	#	Label	Target	Config,Mode,Aperture	Spectral Els.	Opt. Params.	Special Reqs.	Groups	Exp. Time/[Actual Dur.]	Orbit
	11	ANY	ANY	WFPC2, IMAGE, WF3-FIX	F300W	CR-SPLIT=NO		Prime + Parallel Group 10-12	1100.0 Secs [==>1100.0 Secs ]	[2]
	12	ANY	ANY	ACS/SBC, ACCUM, SBC	F150LP			Prime + Parallel Group 10-12	1250.0 Secs [==>1329.0 Secs ]	[2]
	13	(9) GOODS-S2-FOL LOW-UP	NIC3, MULTIACCUM, NIC3	F110W	SAMP-SEQ=SPARS 64; NSAMP=24	POS TARG -1.057,0 .0427		Prime + Parallel Group 13-15	[==>]	[3]
	14	ANY	ANY	WFPC2, IMAGE, WF3-FIX	F300W	CR-SPLIT=NO		Prime + Parallel Group 13-15	1050.0 Secs [==>]	[3]
	15	ANY	ANY	ACS/SBC, ACCUM, SBC	F150LP			Prime + Parallel Group 13-15	1250.0 Secs [==>]	[3]
	16	(9) GOODS-S2-FOL LOW-UP	NIC3, MULTIACCUM, NIC3	F110W	SAMP-SEQ=SPARS 64; NSAMP=22	POS TARG -0.7529, -0.7102		Prime + Parallel Group 16-18	[==>]	[3]
	17	ANY	ANY	WFPC2, IMAGE, WF3-FIX	F300W	CR-SPLIT=NO		Prime + Parallel Group 16-18	1100.0 Secs [==>]	[3]
	18	ANY	ANY	ACS/SBC, ACCUM, SBC	F150LP			Prime + Parallel Group 16-18	1250.0 Secs [==>]	[3]







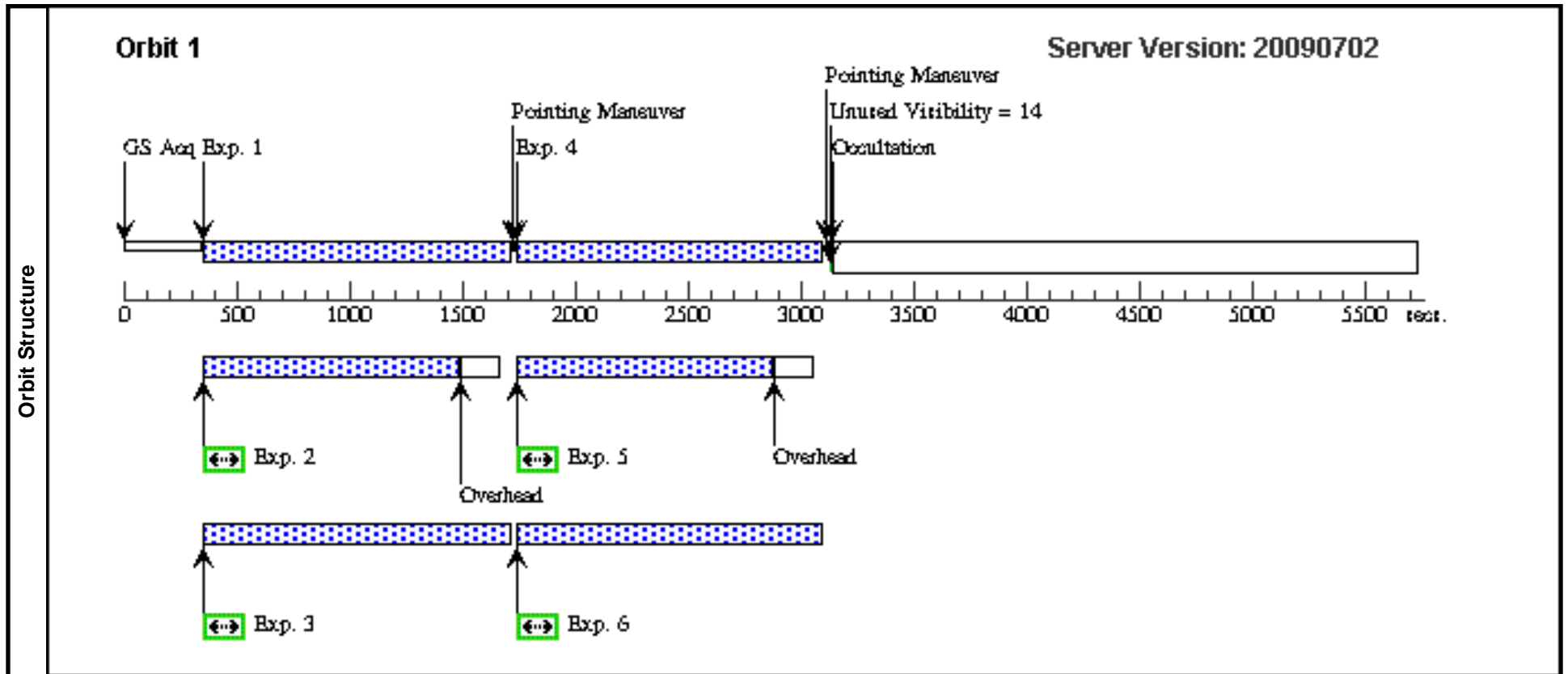
Proposal 11144 - Visit 10 - Building on the Significant NICMOS Investment in GOODS: A Bright, Wide-Area Search for z>...

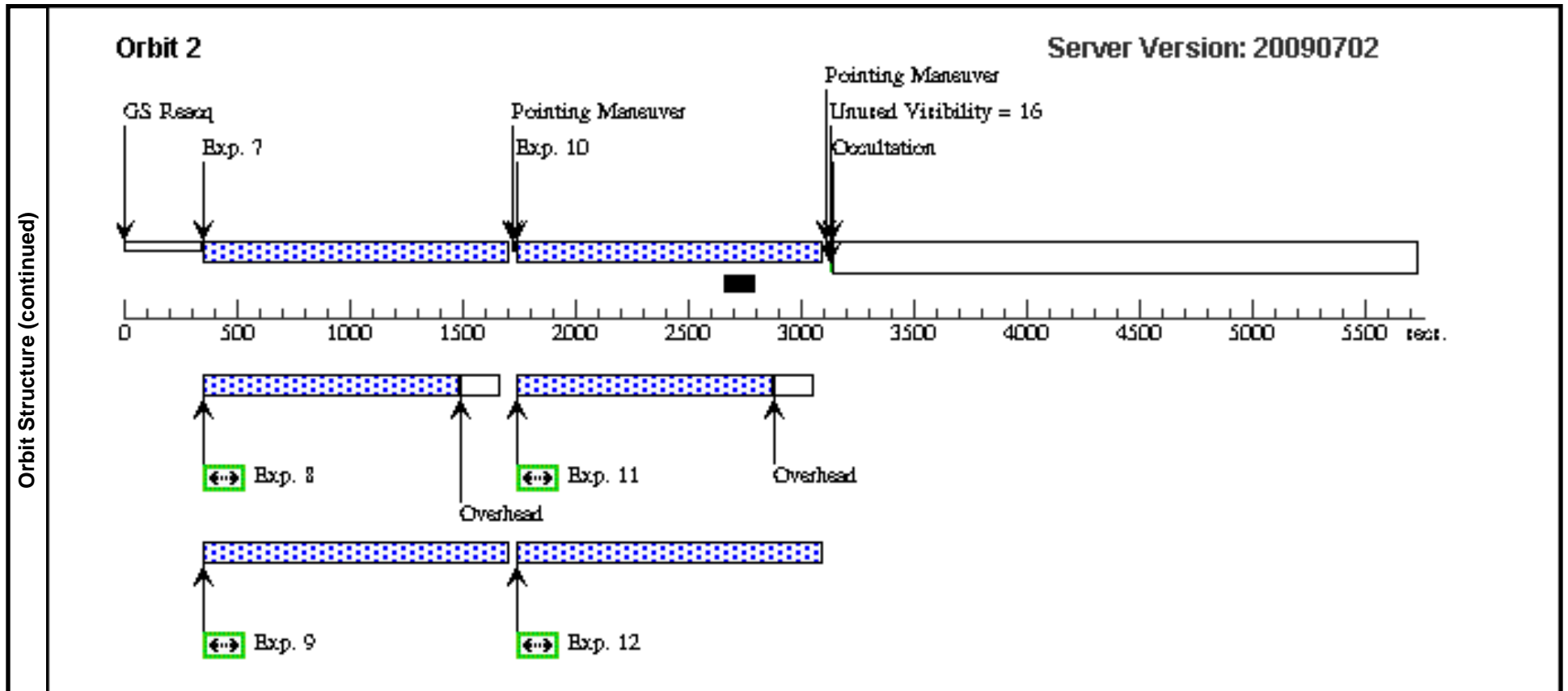
Thu Sep 24 01:05:07 GMT 2009

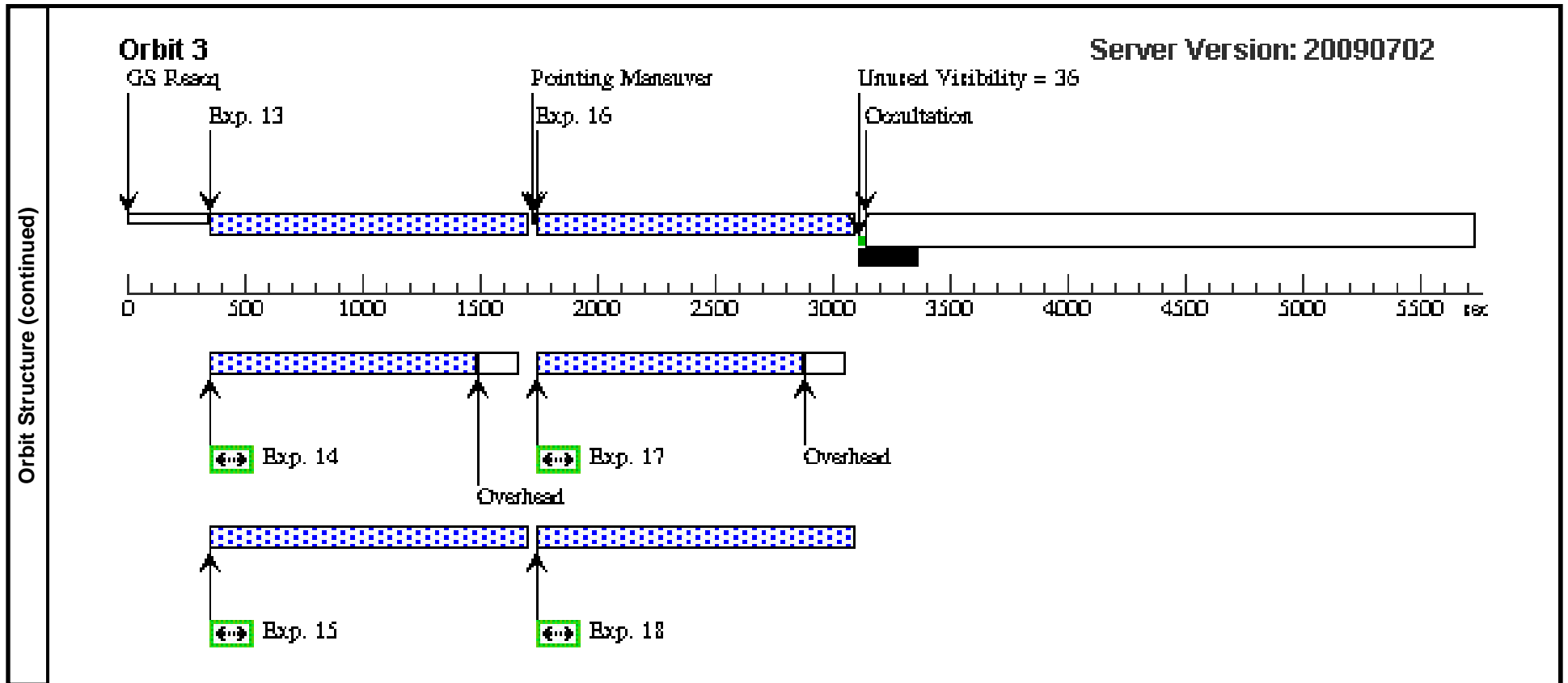
Visit	<b>Proposal 11144, Visit 10, completed</b> <b>Diagnostic Status: No Diagnostics</b> Scientific Instruments: ACS/SBC, WFPC2, NIC3 Special Requirements: ORIENT 200.0D TO 225.0 D; ORIENT 290.0D TO 315.0 D; ORIENT 20.0D TO 45.0 D; ORIENT 110.0D TO 135.0 D									
	Fixed Targets	#	Name	Target Coordinates	Targ. Coord. Corrections	Fluxes	Miscellaneous			
	(10)	HUDFCAND1	RA: 03 32 42.1000 (53.1754167d) Dec: -27 47 16.57 (-27.78794d) Equinox: J2000			V=25	Reference Frame: ICRS	<i>Comments: UDF-1</i>		
Exposures	#	Label	Target	Config,Mode,Aperture	Spectral Els.	Opt. Params.	Special Reqs.	Groups	Exp. Time/[Actual Dur.]	Orbit
	1	(10) HUDFCAND1	NIC3, MULTIACCUM, NIC3	F110W	SAMP-SEQ=SPARS 64; NSAMP=23	POS TARG 0.0,-0.4 06	Prime + Parallel Group 1-3	[==>]	[1]	
	2	ANY	WFPC2, IMAGE, WF3-FIX	F300W	CR-SPLIT=NO		Prime + Parallel Group 1-3	1000.0 Secs [==>1000.0 Secs ]	[1]	
	3	ANY	ACS/SBC, ACCUM, SBC	F150LP			Prime + Parallel Group 1-3	1250.0 Secs [==>1290.0 Secs ]	[1]	
	4	(10) HUDFCAND1	NIC3, MULTIACCUM, NIC3	F110W	SAMP-SEQ=SPARS 64; NSAMP=23	POS TARG 0.753,-0 .102	Prime + Parallel Group 4-6	[==>]	[1]	
	5	ANY	WFPC2, IMAGE, WF3-FIX	F300W	CR-SPLIT=NO		Prime + Parallel Group 4-6	1000.0 Secs [==>1000.0 Secs ]	[1]	
	6	ANY	ACS/SBC, ACCUM, SBC	F150LP			Prime + Parallel Group 4-6	1250.0 Secs [==>1329.0 Secs ]	[1]	
	7	(10) HUDFCAND1	NIC3, MULTIACCUM, NIC3	F110W	SAMP-SEQ=SPARS 64; NSAMP=23	POS TARG 0.44870 000000000004,0.651	Prime + Parallel Group 7-9	[==>]	[2]	
	8	ANY	WFPC2, IMAGE, WF3-FIX	F300W	CR-SPLIT=NO		Prime + Parallel Group 7-9	1000.0 Secs [==>1000.0 Secs ]	[2]	
	9	ANY	ACS/SBC, ACCUM, SBC	F150LP			Prime + Parallel Group 7-9	1250.0 Secs [==>1329.0 Secs ]	[2]	
	10	(10) HUDFCAND1	NIC3, MULTIACCUM, NIC3	F110W	SAMP-SEQ=SPARS 64; NSAMP=23	POS TARG -0.3042, 0.3469	Prime + Parallel Group 10-12	[==>]	[2]	
	11	ANY	WFPC2, IMAGE, WF3-FIX	F300W	CR-SPLIT=NO		Prime + Parallel Group 10-12	1000.0 Secs [==>1000.0 Secs ]	[2]	
12	ANY	ACS/SBC, ACCUM, SBC	F150LP			Prime + Parallel Group 10-12	1250.0 Secs [==>1329.0 Secs ]	[2]		

Proposal 11144 - Visit 10 - Building on the Significant NICMOS Investment in GOODS: A Bright, Wide-Area Search for z>...

Exposures (continued)	#	Label	Target	Config,Mode,Aperture	Spectral Els.	Opt. Params.	Special Reqs.	Groups	Exp. Time/[Actual Dur.]	Orbit
	13		(10) HUDFCAND1	NIC3, MULTIACCUM, NIC3	F110W	SAMP-SEQ=SPARS 64; NSAMP=23	POS TARG -1.057,0 .0427	Prime + Parallel Gro up 13-15	[==>]	[3]
	14		ANY	WFPC2, IMAGE, WF3-FIX	F300W	CR-SPLIT=NO		Prime + Parallel Gro up 13-15	1000.0 Secs [==>1000.0 Secs ]	[3]
	15		ANY	ACS/SBC, ACCUM, SBC	F150LP			Prime + Parallel Gro up 13-15	1250.0 Secs [==>1329.0 Secs ]	[3]
	16		(10) HUDFCAND1	NIC3, MULTIACCUM, NIC3	F110W	SAMP-SEQ=SPARS 64; NSAMP=23	POS TARG -0.7529, -0.7102	Prime + Parallel Gro up 16-18	[==>]	[3]
	17		ANY	WFPC2, IMAGE, WF3-FIX	F300W	CR-SPLIT=NO		Prime + Parallel Gro up 16-18	1000.0 Secs [==>1000.0 Secs ]	[3]
	18		ANY	ACS/SBC, ACCUM, SBC	F150LP			Prime + Parallel Gro up 16-18	1250.0 Secs [==>1329.0 Secs ]	[3]







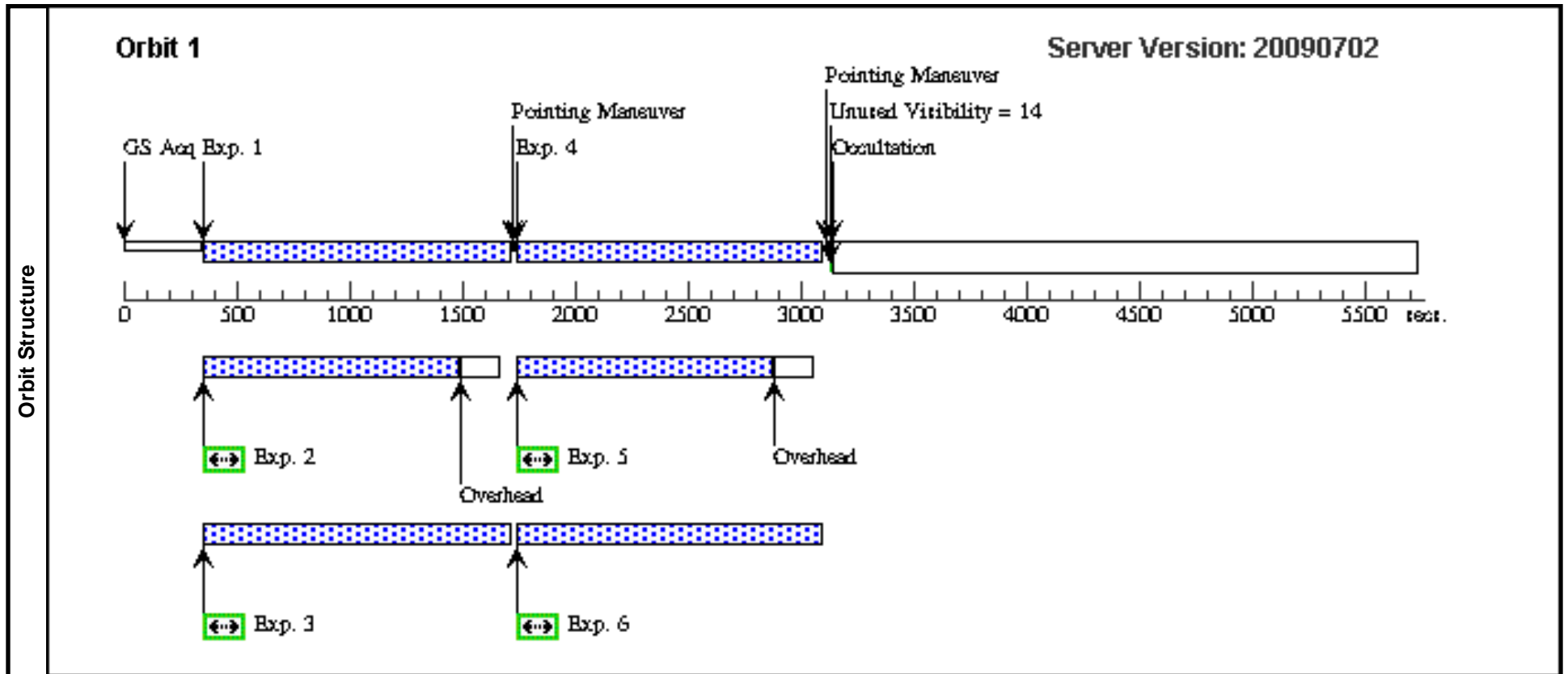
Proposal 11144 - Visit 11 - Building on the Significant NICMOS Investment in GOODS: A Bright, Wide-Area Search for z>...

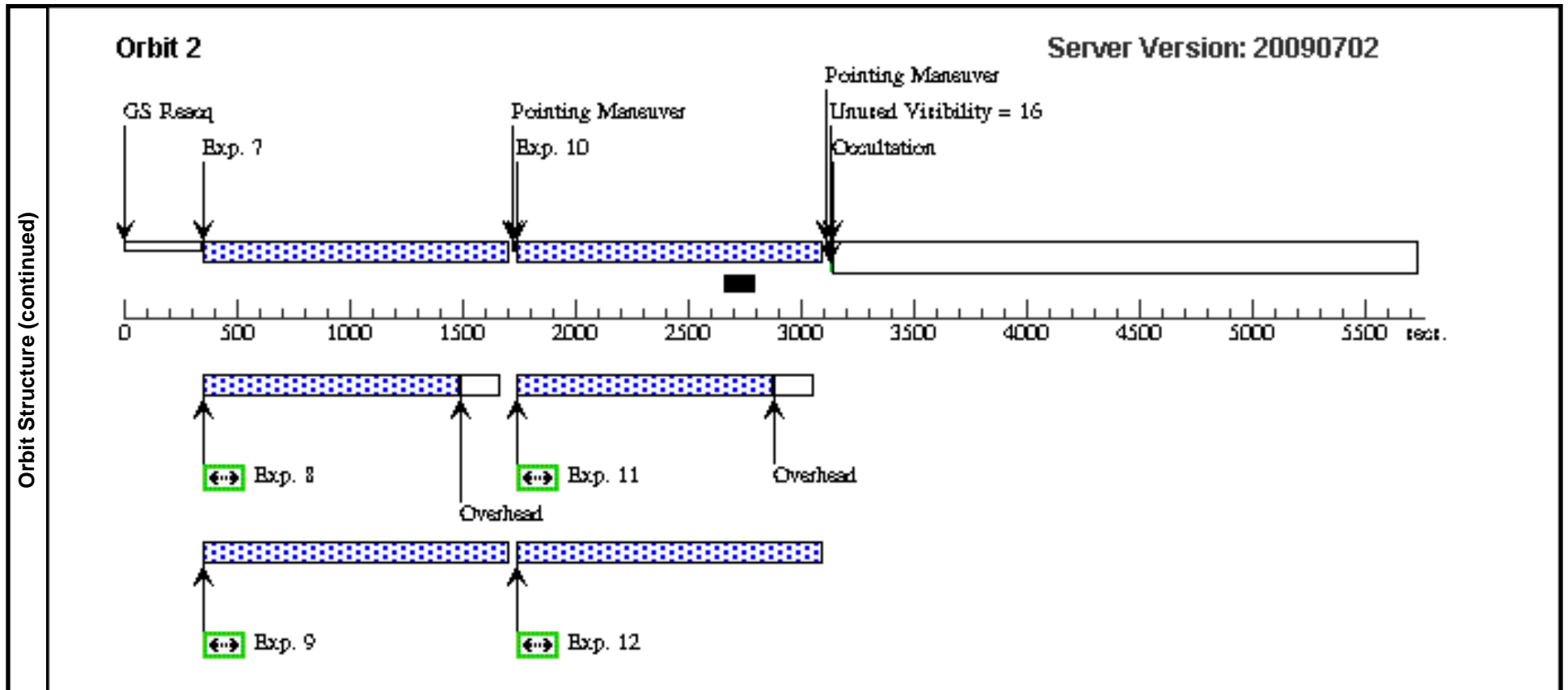
Thu Sep 24 01:05:09 GMT 2009

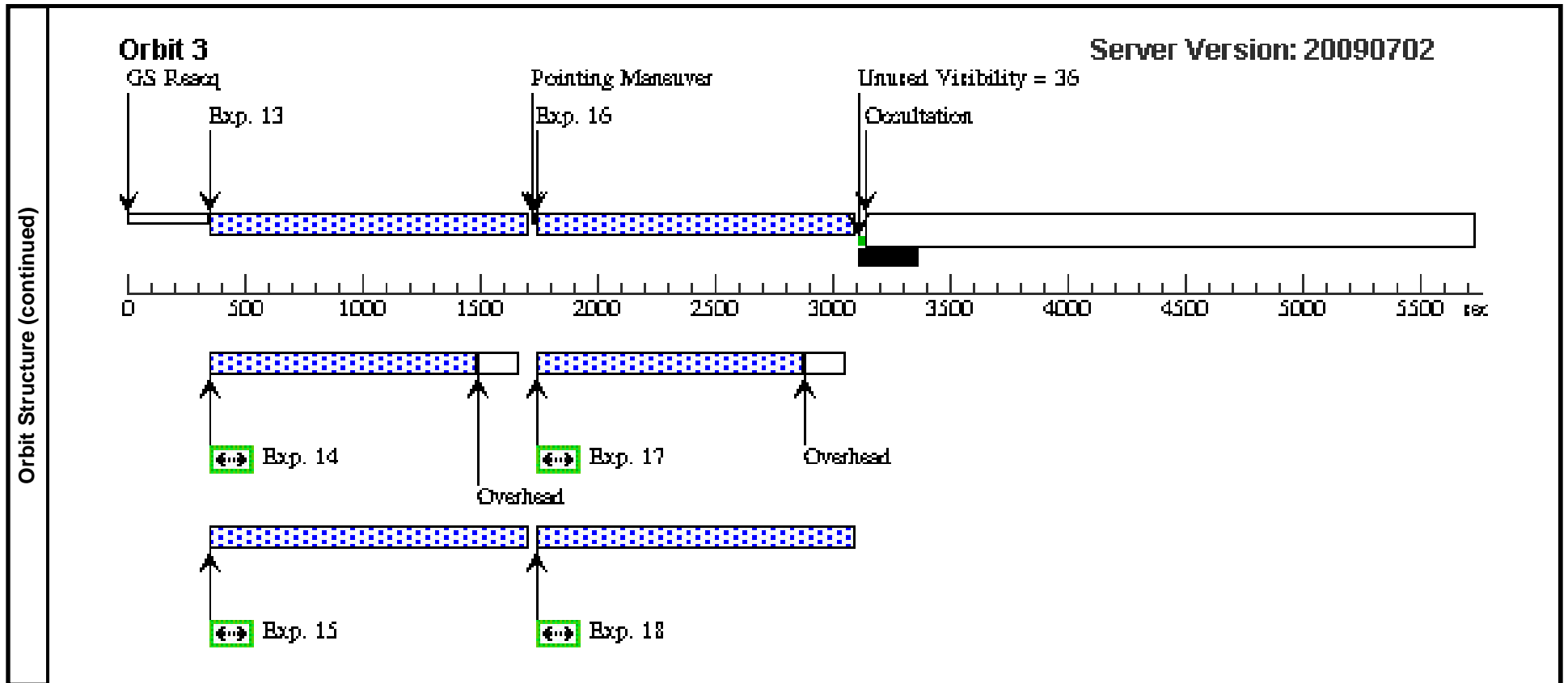
Visit	Proposal 11144, Visit 11, completed									
	Diagnostic Status: No Diagnostics									
Scientific Instruments: ACS/SBC, WFPC2, NIC3										
Special Requirements: ORIENT 230.0D TO 231.06 D										
Fixed Targets	#	Name	Target Coordinates	Targ. Coord. Corrections	Fluxes	Miscellaneous				
		(13)	GOODS-S1	RA: 03 32 23.6405 (53.0985021d) Dec: -27 42 52.80 (-27.71467d) Equinox: J2000		V=25	Reference Frame: ICRS			
<i>Comments: Same as GOODS-S14 (from 11082)</i>										
Exposures	#	Label	Target	Config,Mode,Aperture	Spectral Els.	Opt. Params.	Special Reqs.	Groups	Exp. Time/[Actual Dur.]	Orbit
	1		(13) GOODS-S1	NIC3, MULTIACCUM, NIC3	F110W	SAMP-SEQ=SPARS 64; NSAMP=23	POS TARG 0.0,-0.4 06	Prime + Parallel Gro up 1-3	[==>]	[1]
	2		ANY	WFPC2, IMAGE, WF3-FIX	F300W	CR-SPLIT=NO		Prime + Parallel Gro up 1-3	1000.0 Secs [==>1000.0 Secs ]	[1]
	3		ANY	ACS/SBC, ACCUM, SBC	F150LP			Prime + Parallel Gro up 1-3	1250.0 Secs [==>1290.0 Secs ]	[1]
	4		(13) GOODS-S1	NIC3, MULTIACCUM, NIC3	F110W	SAMP-SEQ=SPARS 64; NSAMP=23	POS TARG 0.753,-0 .102	Prime + Parallel Gro up 4-6	[==>]	[1]
	5		ANY	WFPC2, IMAGE, WF3-FIX	F300W	CR-SPLIT=NO		Prime + Parallel Gro up 4-6	1000.0 Secs [==>1000.0 Secs ]	[1]
	6		ANY	ACS/SBC, ACCUM, SBC	F150LP			Prime + Parallel Gro up 4-6	1250.0 Secs [==>1329.0 Secs ]	[1]
	7		(13) GOODS-S1	NIC3, MULTIACCUM, NIC3	F110W	SAMP-SEQ=SPARS 64; NSAMP=23	POS TARG 0.44870 000000000004,0.651	Prime + Parallel Gro up 7-9	[==>]	[2]
	8		ANY	WFPC2, IMAGE, WF3-FIX	F300W	CR-SPLIT=NO		Prime + Parallel Gro up 7-9	1000.0 Secs [==>1000.0 Secs ]	[2]
	9		ANY	ACS/SBC, ACCUM, SBC	F150LP			Prime + Parallel Gro up 7-9	1250.0 Secs [==>1329.0 Secs ]	[2]
	10		(13) GOODS-S1	NIC3, MULTIACCUM, NIC3	F110W	SAMP-SEQ=SPARS 64; NSAMP=23	POS TARG -0.3042, 0.3469	Prime + Parallel Gro up 10-12	[==>]	[2]
	11		ANY	WFPC2, IMAGE, WF3-FIX	F300W	CR-SPLIT=NO		Prime + Parallel Gro up 10-12	1000.0 Secs [==>1000.0 Secs ]	[2]
12		ANY	ACS/SBC, ACCUM, SBC	F150LP			Prime + Parallel Gro up 10-12	1250.0 Secs [==>1329.0 Secs ]	[2]	

Proposal 11144 - Visit 11 - Building on the Significant NICMOS Investment in GOODS: A Bright, Wide-Area Search for z>...

Exposures (continued)	#	Label	Target	Config,Mode,Aperture	Spectral Els.	Opt. Params.	Special Reqs.	Groups	Exp. Time/[Actual Dur.]	Orbit
	13		(13) GOODS-S1	NIC3, MULTIACCUM, NIC3	F110W	SAMP-SEQ=SPARS 64; NSAMP=23	POS TARG -1.057,0 .0427	Prime + Parallel Gro up 13-15	[==>]	[3]
	14		ANY	WFPC2, IMAGE, WF3-FIX	F300W	CR-SPLIT=NO		Prime + Parallel Gro up 13-15	1000.0 Secs [==>1000.0 Secs ]	[3]
	15		ANY	ACS/SBC, ACCUM, SBC	F150LP			Prime + Parallel Gro up 13-15	1250.0 Secs [==>1329.0 Secs ]	[3]
	16		(13) GOODS-S1	NIC3, MULTIACCUM, NIC3	F110W	SAMP-SEQ=SPARS 64; NSAMP=23	POS TARG -0.7529, -0.7102	Prime + Parallel Gro up 16-18	[==>]	[3]
	17		ANY	WFPC2, IMAGE, WF3-FIX	F300W	CR-SPLIT=NO		Prime + Parallel Gro up 16-18	1000.0 Secs [==>1000.0 Secs ]	[3]
	18		ANY	ACS/SBC, ACCUM, SBC	F150LP			Prime + Parallel Gro up 16-18	1250.0 Secs [==>1329.0 Secs ]	[3]







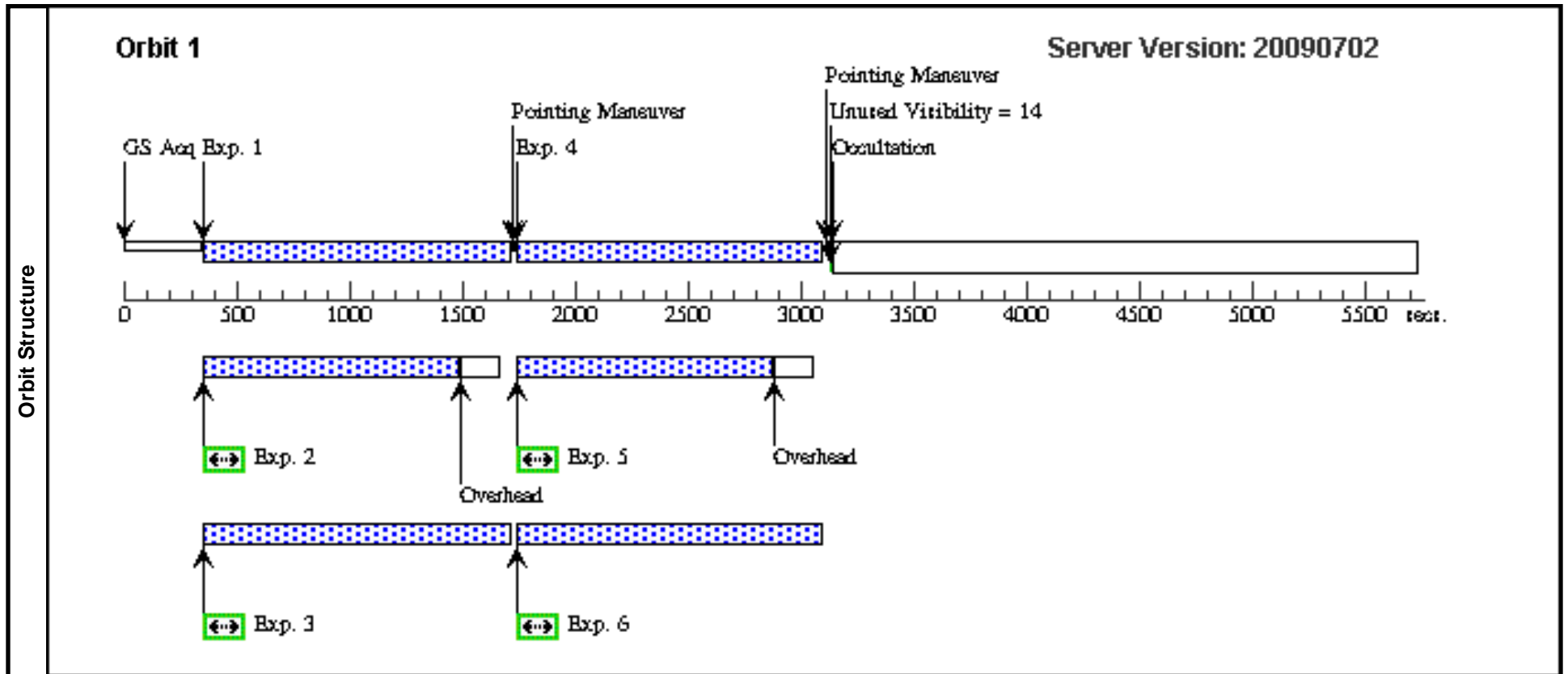
Proposal 11144 - Visit 12 - Building on the Significant NICMOS Investment in GOODS: A Bright, Wide-Area Search for z>...

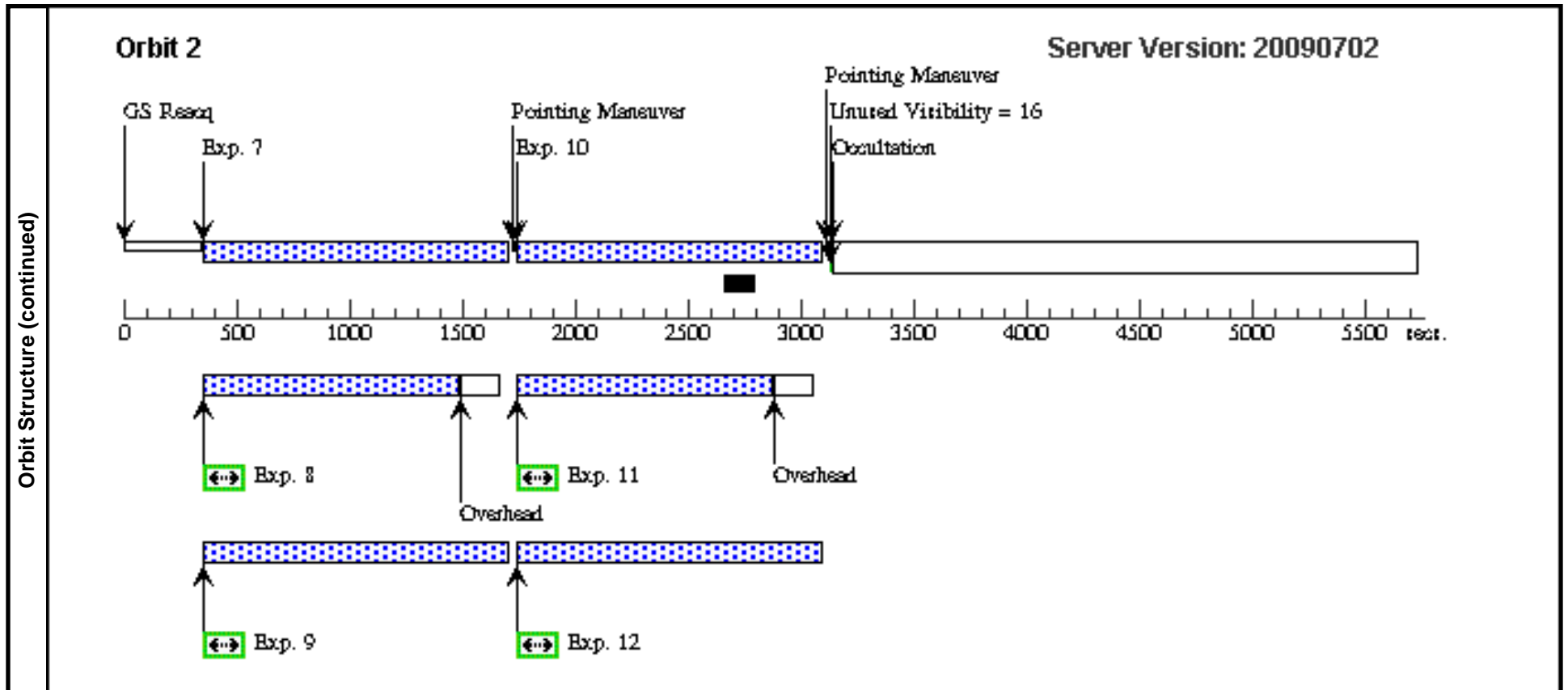
Thu Sep 24 01:05:10 GMT 2009

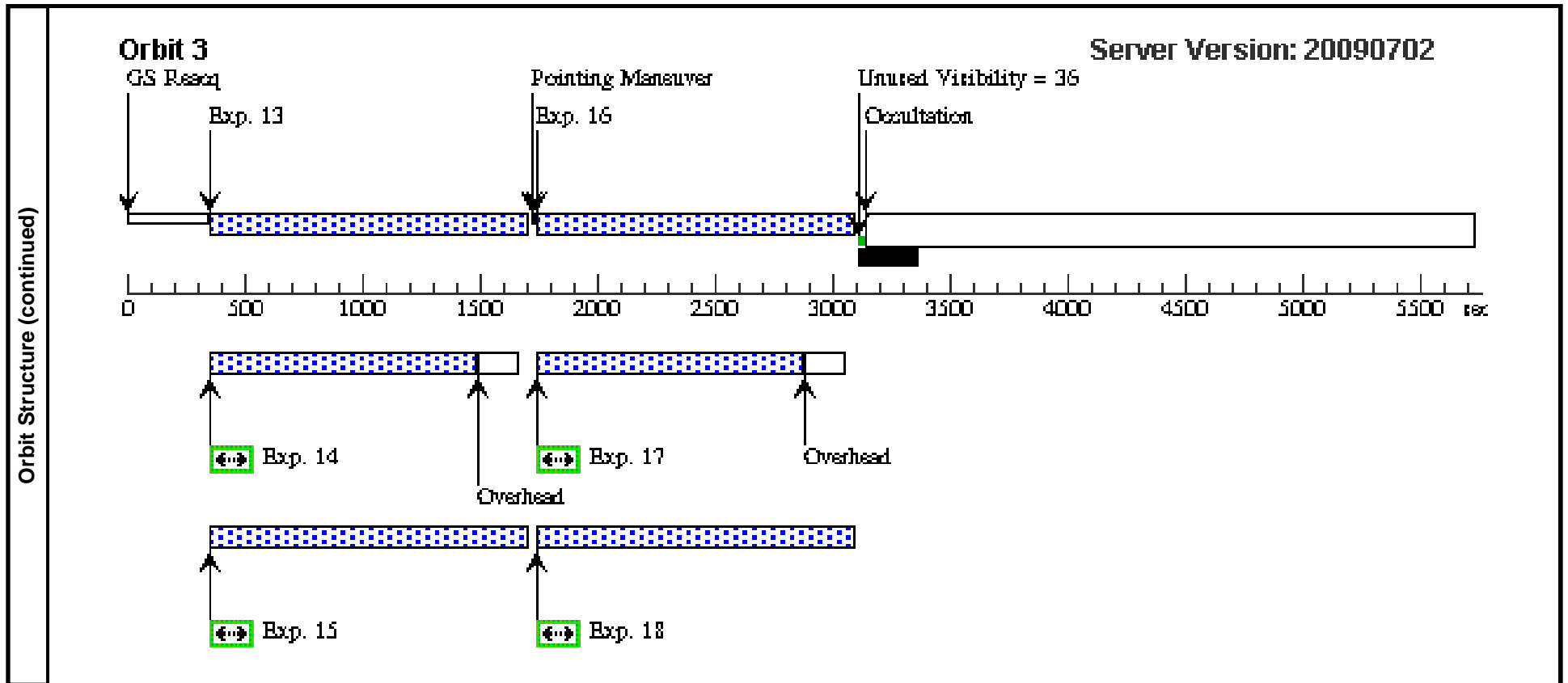
Visit	<b>Proposal 11144, Visit 12, completed</b> <b>Diagnostic Status: No Diagnostics</b> Scientific Instruments: ACS/SBC, WFPC2, NIC3 Special Requirements: ORIENT 315.0D TO 340.0 D; ORIENT 45.0D TO 70.0 D; ORIENT 135.0D TO 160.0 D; ORIENT 225.0D TO 247 D									
	Fixed Targets	#	Name	Target Coordinates	Targ. Coord. Corrections	Fluxes	Miscellaneous			
	(14)	GOODS-S2	RA: 03 32 7.6795 (53.0319979d) Dec: -27 46 44.79 (-27.77911d) Equinox: J2000			V=25	Reference Frame: ICRS	<i>Comments: Same as GOODS-S28 (from 11082)</i>		
Exposures	#	Label	Target	Config,Mode,Aperture	Spectral Els.	Opt. Params.	Special Reqs.	Groups	Exp. Time/[Actual Dur.]	Orbit
	1	(14) GOODS-S2	NIC3, MULTIACCUM, NIC3	F110W	SAMP-SEQ=SPARS 64; NSAMP=23	POS TARG 0.0,-0.4 06	Prime + Parallel Group 1-3	[==>]	[1]	
	2	ANY	WFPC2, IMAGE, WF3-FIX	F300W	CR-SPLIT=NO		Prime + Parallel Group 1-3	1000.0 Secs [==>1000.0 Secs ]	[1]	
	3	ANY	ACS/SBC, ACCUM, SBC	F150LP			Prime + Parallel Group 1-3	1250.0 Secs [==>1290.0 Secs ]	[1]	
	4	(14) GOODS-S2	NIC3, MULTIACCUM, NIC3	F110W	SAMP-SEQ=SPARS 64; NSAMP=23	POS TARG 0.753,-0 .102	Prime + Parallel Group 4-6	[==>]	[1]	
	5	ANY	WFPC2, IMAGE, WF3-FIX	F300W	CR-SPLIT=NO		Prime + Parallel Group 4-6	1000.0 Secs [==>1000.0 Secs ]	[1]	
	6	ANY	ACS/SBC, ACCUM, SBC	F150LP			Prime + Parallel Group 4-6	1250.0 Secs [==>1329.0 Secs ]	[1]	
	7	(14) GOODS-S2	NIC3, MULTIACCUM, NIC3	F110W	SAMP-SEQ=SPARS 64; NSAMP=23	POS TARG 0.44870 000000000004,0.651	Prime + Parallel Group 7-9	[==>]	[2]	
	8	ANY	WFPC2, IMAGE, WF3-FIX	F300W	CR-SPLIT=NO		Prime + Parallel Group 7-9	1000.0 Secs [==>1000.0 Secs ]	[2]	
	9	ANY	ACS/SBC, ACCUM, SBC	F150LP			Prime + Parallel Group 7-9	1250.0 Secs [==>1329.0 Secs ]	[2]	
	10	(14) GOODS-S2	NIC3, MULTIACCUM, NIC3	F110W	SAMP-SEQ=SPARS 64; NSAMP=23	POS TARG -0.3042, 0.3469	Prime + Parallel Group 10-12	[==>]	[2]	
	11	ANY	WFPC2, IMAGE, WF3-FIX	F300W	CR-SPLIT=NO		Prime + Parallel Group 10-12	1000.0 Secs [==>1000.0 Secs ]	[2]	
12	ANY	ACS/SBC, ACCUM, SBC	F150LP			Prime + Parallel Group 10-12	1250.0 Secs [==>1329.0 Secs ]	[2]		

Proposal 11144 - Visit 12 - Building on the Significant NICMOS Investment in GOODS: A Bright, Wide-Area Search for z>...

Exposures (continued)	#	Label	Target	Config,Mode,Aperture	Spectral Els.	Opt. Params.	Special Reqs.	Groups	Exp. Time/[Actual Dur.]	Orbit
	13		(14) GOODS-S2	NIC3, MULTIACCUM, NIC3	F110W	SAMP-SEQ=SPARS 64; NSAMP=23	POS TARG -1.057,0 .0427	Prime + Parallel Gro up 13-15	[==>]	[3]
	14		ANY	WFPC2, IMAGE, WF3-FIX	F300W	CR-SPLIT=NO		Prime + Parallel Gro up 13-15	1000.0 Secs [==>1000.0 Secs ]	[3]
	15		ANY	ACS/SBC, ACCUM, SBC	F150LP			Prime + Parallel Gro up 13-15	1250.0 Secs [==>1329.0 Secs ]	[3]
	16		(14) GOODS-S2	NIC3, MULTIACCUM, NIC3	F110W	SAMP-SEQ=SPARS 64; NSAMP=23	POS TARG -0.7529, -0.7102	Prime + Parallel Gro up 16-18	[==>]	[3]
	17		ANY	WFPC2, IMAGE, WF3-FIX	F300W	CR-SPLIT=NO		Prime + Parallel Gro up 16-18	1000.0 Secs [==>1000.0 Secs ]	[3]
	18		ANY	ACS/SBC, ACCUM, SBC	F150LP			Prime + Parallel Gro up 16-18	1250.0 Secs [==>1329.0 Secs ]	[3]







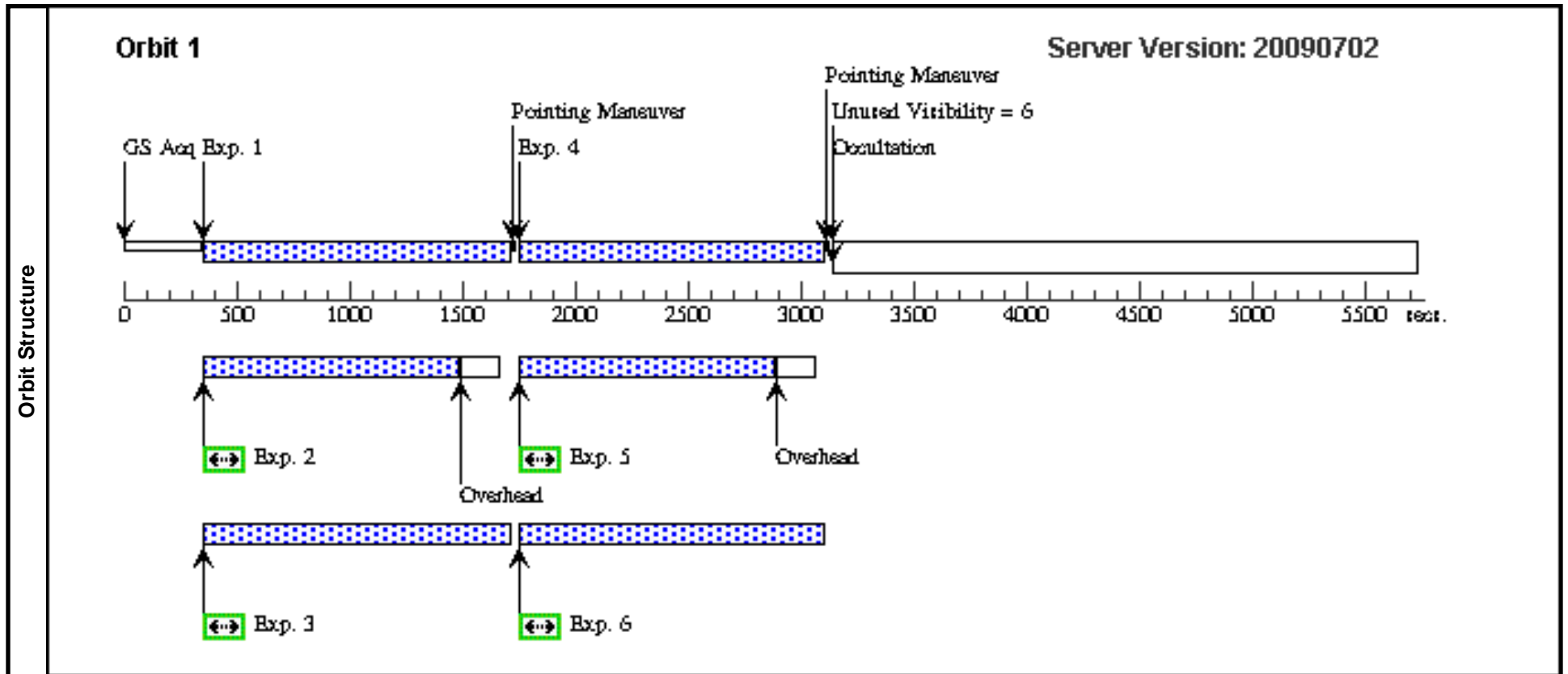
Proposal 11144 - Visit 13 - Building on the Significant NICMOS Investment in GOODS: A Bright, Wide-Area Search for z>...

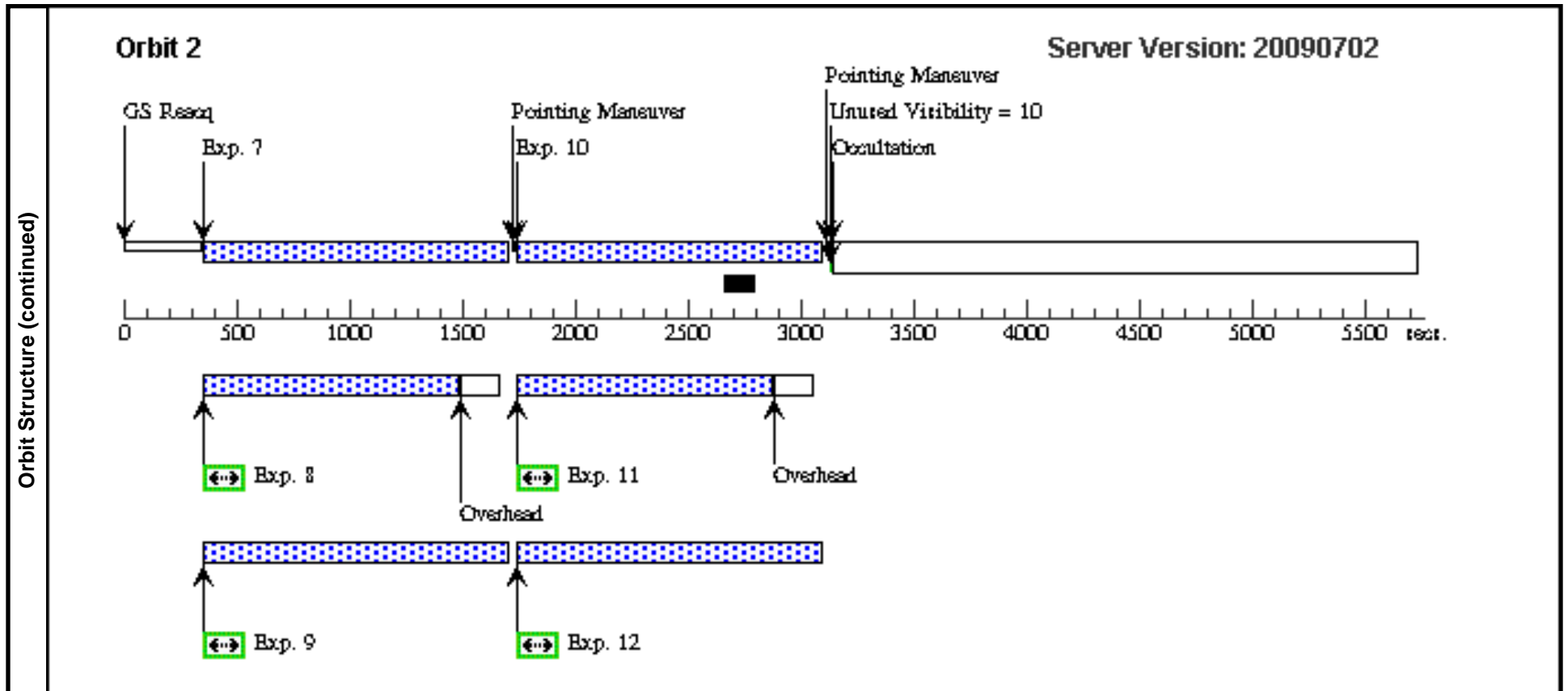
Thu Sep 24 01:05:11 GMT 2009

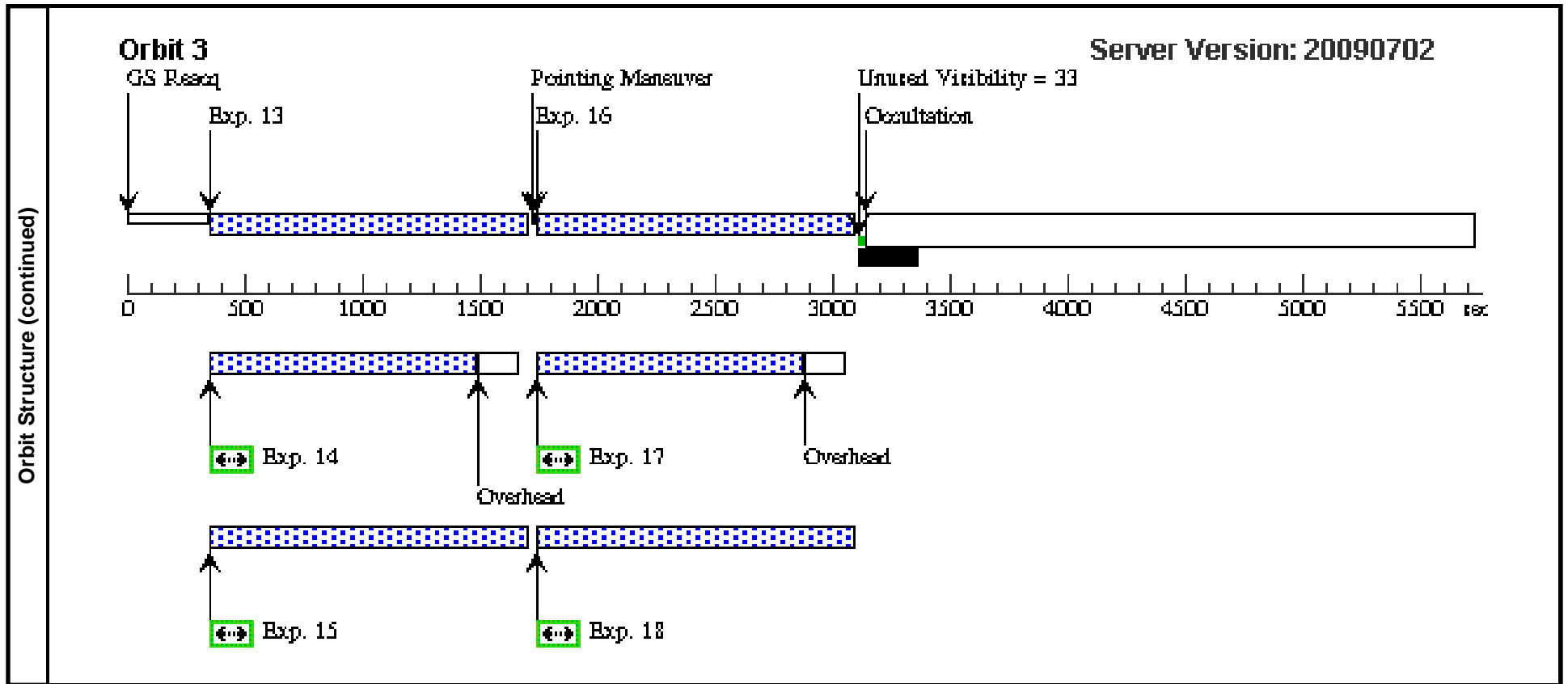
Visit	Proposal 11144, Visit 13, completed Diagnostic Status: No Diagnostics Scientific Instruments: ACS/SBC, WFPC2, NIC3 Special Requirements: ORIENT 214.0D TO 225.0 D									
	#	Name	Target Coordinates	Targ. Coord. Corrections	Fluxes	Miscellaneous				
Fixed Targets	(15)	GOODS-S3	RA: 03 33 4.2090 (53.2675375d) Dec: -27 52 44.83 (-27.87912d) Equinox: J2000		V=25	Reference Frame: ICRS				
	Comments: GOODS-S6									
Exposures	#	Label	Target	Config,Mode,Aperture	Spectral Els.	Opt. Params.	Special Reqs.	Groups	Exp. Time/[Actual Dur.]	Orbit
	1	(15) GOODS-S3	NIC3, MULTIACCUM, NIC3	F110W	SAMP-SEQ=SPARS 64; NSAMP=23	POS TARG 0.0,-1.2 06	Prime + Parallel Group 1-3	[==>]	[1]	
	2	ANY	WFPC2, IMAGE, WF3-FIX	F300W	CR-SPLIT=NO		Prime + Parallel Group 1-3	1000.0 Secs [==>1000.0 Secs ]	[1]	
	3	ANY	ACS/SBC, ACCUM, SBC	F150LP			Prime + Parallel Group 1-3	1250.0 Secs [==>1290.0 Secs ]	[1]	
	4	(15) GOODS-S3	NIC3, MULTIACCUM, NIC3	F110W	SAMP-SEQ=SPARS 64; NSAMP=23	POS TARG 3.153,-0 .902	Prime + Parallel Group 4-6	[==>]	[1]	
	5	ANY	WFPC2, IMAGE, WF3-FIX	F300W	CR-SPLIT=NO		Prime + Parallel Group 4-6	1000.0 Secs [==>1000.0 Secs ]	[1]	
	6	ANY	ACS/SBC, ACCUM, SBC	F150LP			Prime + Parallel Group 4-6	1250.0 Secs [==>1329.0 Secs ]	[1]	
	7	(15) GOODS-S3	NIC3, MULTIACCUM, NIC3	F110W	SAMP-SEQ=SPARS 64; NSAMP=23	POS TARG 1.2487,1 .851	Prime + Parallel Group 7-9	[==>]	[2]	
	8	ANY	WFPC2, IMAGE, WF3-FIX	F300W	CR-SPLIT=NO		Prime + Parallel Group 7-9	1000.0 Secs [==>1000.0 Secs ]	[2]	
	9	ANY	ACS/SBC, ACCUM, SBC	F150LP			Prime + Parallel Group 7-9	1250.0 Secs [==>1329.0 Secs ]	[2]	
	10	(15) GOODS-S3	NIC3, MULTIACCUM, NIC3	F110W	SAMP-SEQ=SPARS 64; NSAMP=23	POS TARG -0.9042, 0.9469	Prime + Parallel Group 10-12	[==>]	[2]	
	11	ANY	WFPC2, IMAGE, WF3-FIX	F300W	CR-SPLIT=NO		Prime + Parallel Group 10-12	1000.0 Secs [==>1000.0 Secs ]	[2]	
12	ANY	ACS/SBC, ACCUM, SBC	F150LP			Prime + Parallel Group 10-12	1250.0 Secs [==>1329.0 Secs ]	[2]		

Proposal 11144 - Visit 13 - Building on the Significant NICMOS Investment in GOODS: A Bright, Wide-Area Search for z>...

Exposures (continued)	#	Label	Target	Config,Mode,Aperture	Spectral Els.	Opt. Params.	Special Reqs.	Groups	Exp. Time/[Actual Dur.]	Orbit
	13		(15) GOODS-S3	NIC3, MULTIACCUM, NIC3	F110W	SAMP-SEQ=SPARS 64; NSAMP=23	POS TARG -3.057,0 .1227	Prime + Parallel Gro up 13-15	[==>]	[3]
	14		ANY	WFPC2, IMAGE, WF3-FIX	F300W	CR-SPLIT=NO		Prime + Parallel Gro up 13-15	1000.0 Secs [==>1000.0 Secs ]	[3]
	15		ANY	ACS/SBC, ACCUM, SBC	F150LP			Prime + Parallel Gro up 13-15	1250.0 Secs [==>1329.0 Secs ]	[3]
	16		(15) GOODS-S3	NIC3, MULTIACCUM, NIC3	F110W	SAMP-SEQ=SPARS 64; NSAMP=23	POS TARG -2.1529, -2.1102	Prime + Parallel Gro up 16-18	[==>]	[3]
	17		ANY	WFPC2, IMAGE, WF3-FIX	F300W	CR-SPLIT=NO		Prime + Parallel Gro up 16-18	1000.0 Secs [==>1000.0 Secs ]	[3]
	18		ANY	ACS/SBC, ACCUM, SBC	F150LP			Prime + Parallel Gro up 16-18	1250.0 Secs [==>1329.0 Secs ]	[3]







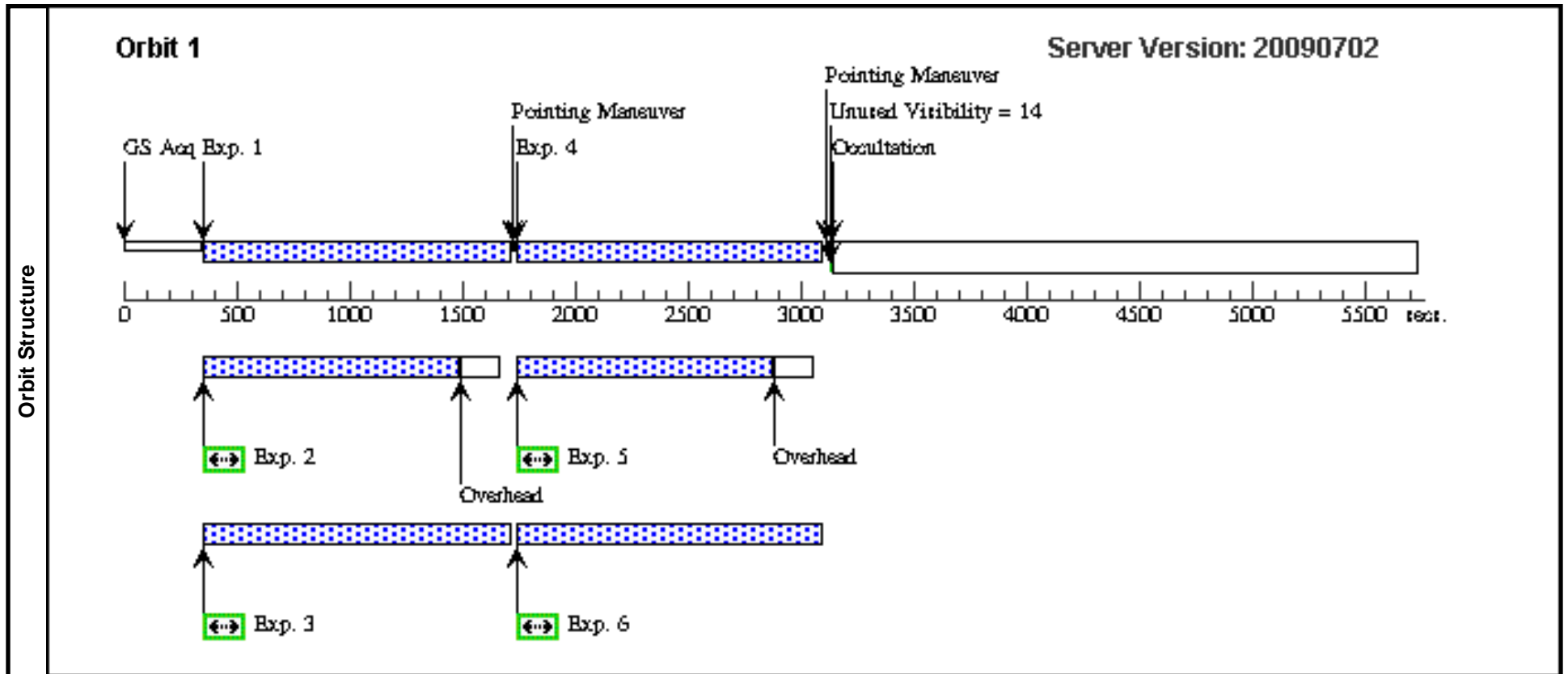
Proposal 11144 - Visit 14 - Building on the Significant NICMOS Investment in GOODS: A Bright, Wide-Area Search for z>...

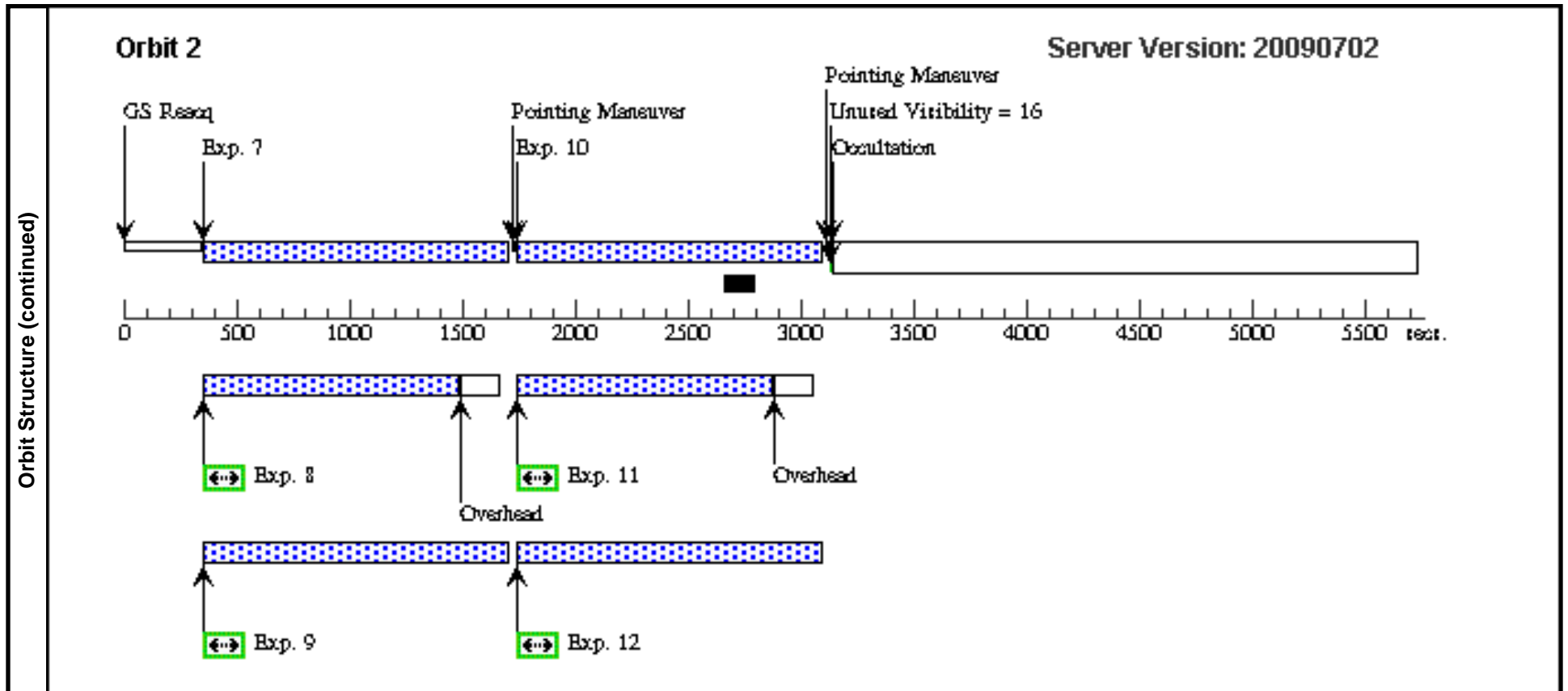
Thu Sep 24 01:05:11 GMT 2009

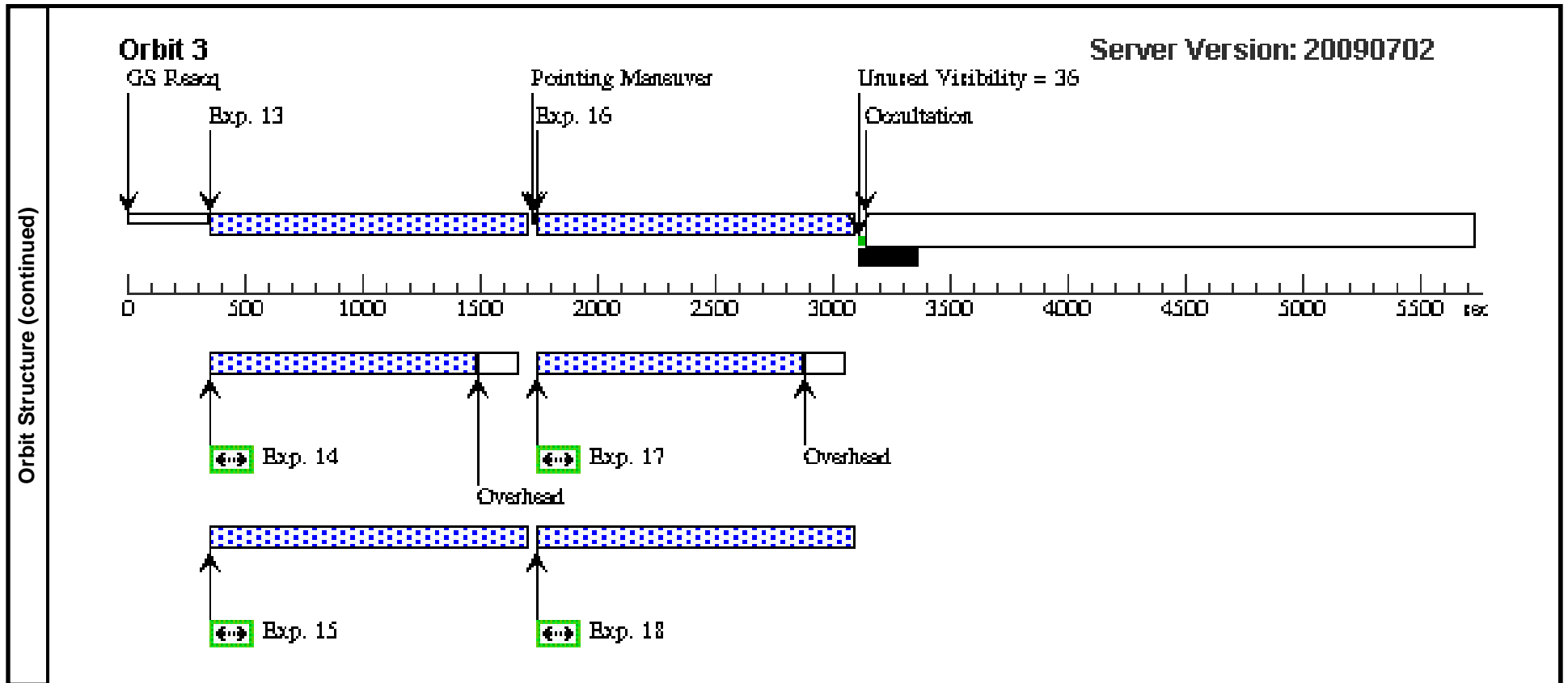
Visit	Proposal 11144, Visit 14, completed									
	Diagnostic Status: No Diagnostics									
Fixed Targets	Scientific Instruments: ACS/SBC, WFPC2, NIC3									
	Special Requirements: ORIENT 315.0D TO 335.0 D; ORIENT 45.0D TO 65.0 D; ORIENT 135.0D TO 155.0 D; ORIENT 225.0D TO 245.0 D									
#	Name	Target Coordinates	Targ. Coord.	Corrections	Fluxes	Miscellaneous				
(16)	GOODS-S4	RA: 03 32 42.4807 (53.1770029d) Dec: -27 42 48.79 (-27.71355d) Equinox: J2000			V=25	Reference Frame: ICRS				
<i>Comments: Same as GOODS-S26 (from 11082)</i>										
Exposures	#	Label	Target	Config,Mode,Aperture	Spectral Els.	Opt. Params.	Special Reqs.	Groups	Exp. Time/[Actual Dur.]	Orbit
	1	(16) GOODS-S4	NIC3, MULTIACCUM, NIC3	F110W	SAMP-SEQ=SPARS 64; NSAMP=23	POS TARG 0.0,-0.4 06	Prime + Parallel Group 1-3	[==>]	[1]	
	2	ANY	WFPC2, IMAGE, WF3-FIX	F300W	CR-SPLIT=NO		Prime + Parallel Group 1-3	1000.0 Secs [==>1000.0 Secs ]	[1]	
	3	ANY	ACS/SBC, ACCUM, SBC	F150LP			Prime + Parallel Group 1-3	1250.0 Secs [==>1290.0 Secs ]	[1]	
	4	(16) GOODS-S4	NIC3, MULTIACCUM, NIC3	F110W	SAMP-SEQ=SPARS 64; NSAMP=23	POS TARG 0.753,-0 .102	Prime + Parallel Group 4-6	[==>]	[1]	
	5	ANY	WFPC2, IMAGE, WF3-FIX	F300W	CR-SPLIT=NO		Prime + Parallel Group 4-6	1000.0 Secs [==>1000.0 Secs ]	[1]	
	6	ANY	ACS/SBC, ACCUM, SBC	F150LP			Prime + Parallel Group 4-6	1250.0 Secs [==>1329.0 Secs ]	[1]	
	7	(16) GOODS-S4	NIC3, MULTIACCUM, NIC3	F110W	SAMP-SEQ=SPARS 64; NSAMP=23	POS TARG 0.44870 000000000004,0.651	Prime + Parallel Group 7-9	[==>]	[2]	
	8	ANY	WFPC2, IMAGE, WF3-FIX	F300W	CR-SPLIT=NO		Prime + Parallel Group 7-9	1000.0 Secs [==>1000.0 Secs ]	[2]	
	9	ANY	ACS/SBC, ACCUM, SBC	F150LP			Prime + Parallel Group 7-9	1250.0 Secs [==>1329.0 Secs ]	[2]	
	10	(16) GOODS-S4	NIC3, MULTIACCUM, NIC3	F110W	SAMP-SEQ=SPARS 64; NSAMP=23	POS TARG -0.3042, 0.3469	Prime + Parallel Group 10-12	[==>]	[2]	
	11	ANY	WFPC2, IMAGE, WF3-FIX	F300W	CR-SPLIT=NO		Prime + Parallel Group 10-12	1000.0 Secs [==>1000.0 Secs ]	[2]	
12	ANY	ACS/SBC, ACCUM, SBC	F150LP			Prime + Parallel Group 10-12	1250.0 Secs [==>1329.0 Secs ]	[2]		

Proposal 11144 - Visit 14 - Building on the Significant NICMOS Investment in GOODS: A Bright, Wide-Area Search for z>...

Exposures (continued)	#	Label	Target	Config,Mode,Aperture	Spectral Els.	Opt. Params.	Special Reqs.	Groups	Exp. Time/[Actual Dur.]	Orbit
	13		(16) GOODS-S4	NIC3, MULTIACCUM, NIC3	F110W	SAMP-SEQ=SPARS 64; NSAMP=23	POS TARG -1.057,0 .0427	Prime + Parallel Gro up 13-15	[==>]	[3]
	14		ANY	WFPC2, IMAGE, WF3-FIX	F300W	CR-SPLIT=NO		Prime + Parallel Gro up 13-15	1000.0 Secs [==>1000.0 Secs ]	[3]
	15		ANY	ACS/SBC, ACCUM, SBC	F150LP			Prime + Parallel Gro up 13-15	1250.0 Secs [==>1329.0 Secs ]	[3]
	16		(16) GOODS-S4	NIC3, MULTIACCUM, NIC3	F110W	SAMP-SEQ=SPARS 64; NSAMP=23	POS TARG -0.7529, -0.7102	Prime + Parallel Gro up 16-18	[==>]	[3]
	17		ANY	WFPC2, IMAGE, WF3-FIX	F300W	CR-SPLIT=NO		Prime + Parallel Gro up 16-18	1000.0 Secs [==>1000.0 Secs ]	[3]
	18		ANY	ACS/SBC, ACCUM, SBC	F150LP			Prime + Parallel Gro up 16-18	1250.0 Secs [==>1329.0 Secs ]	[3]







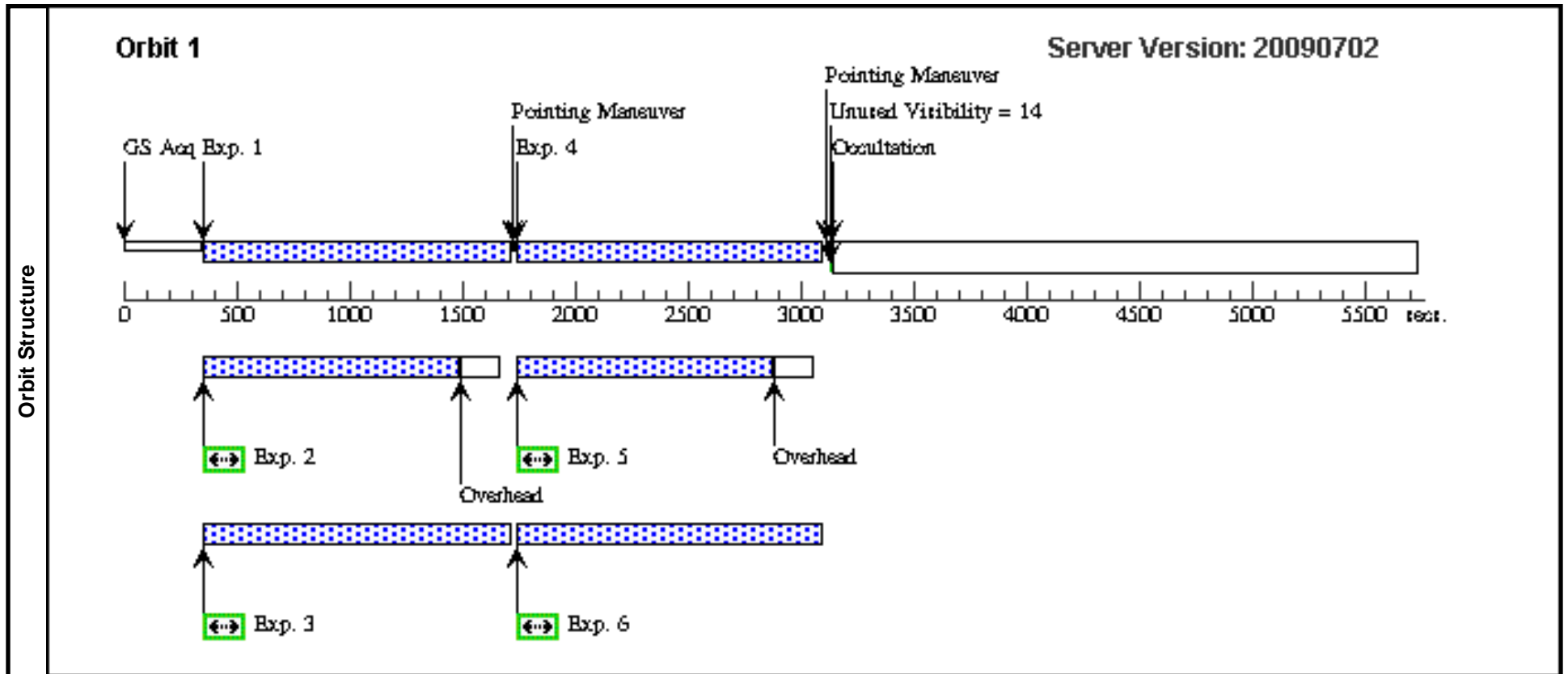
Proposal 11144 - Visit 15 - Building on the Significant NICMOS Investment in GOODS: A Bright, Wide-Area Search for z>...

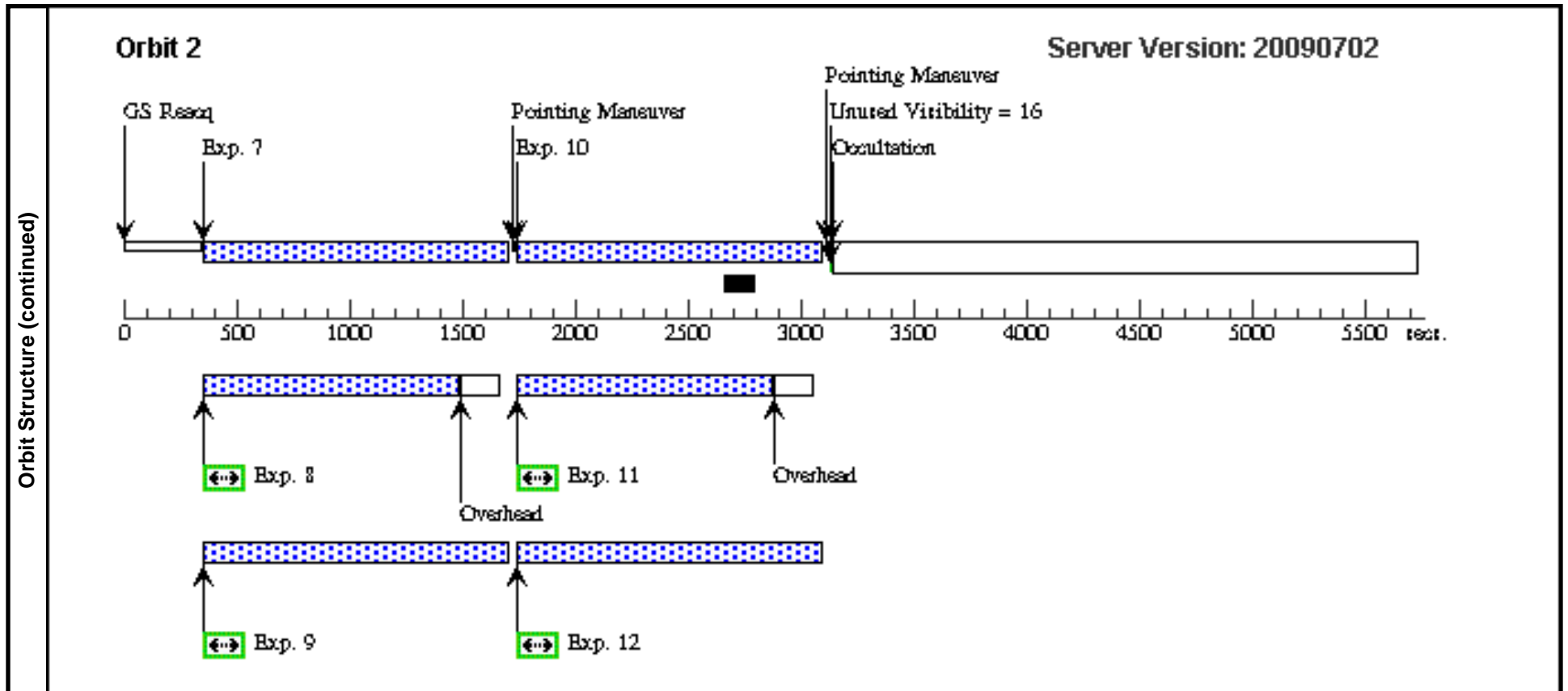
Thu Sep 24 01:05:12 GMT 2009

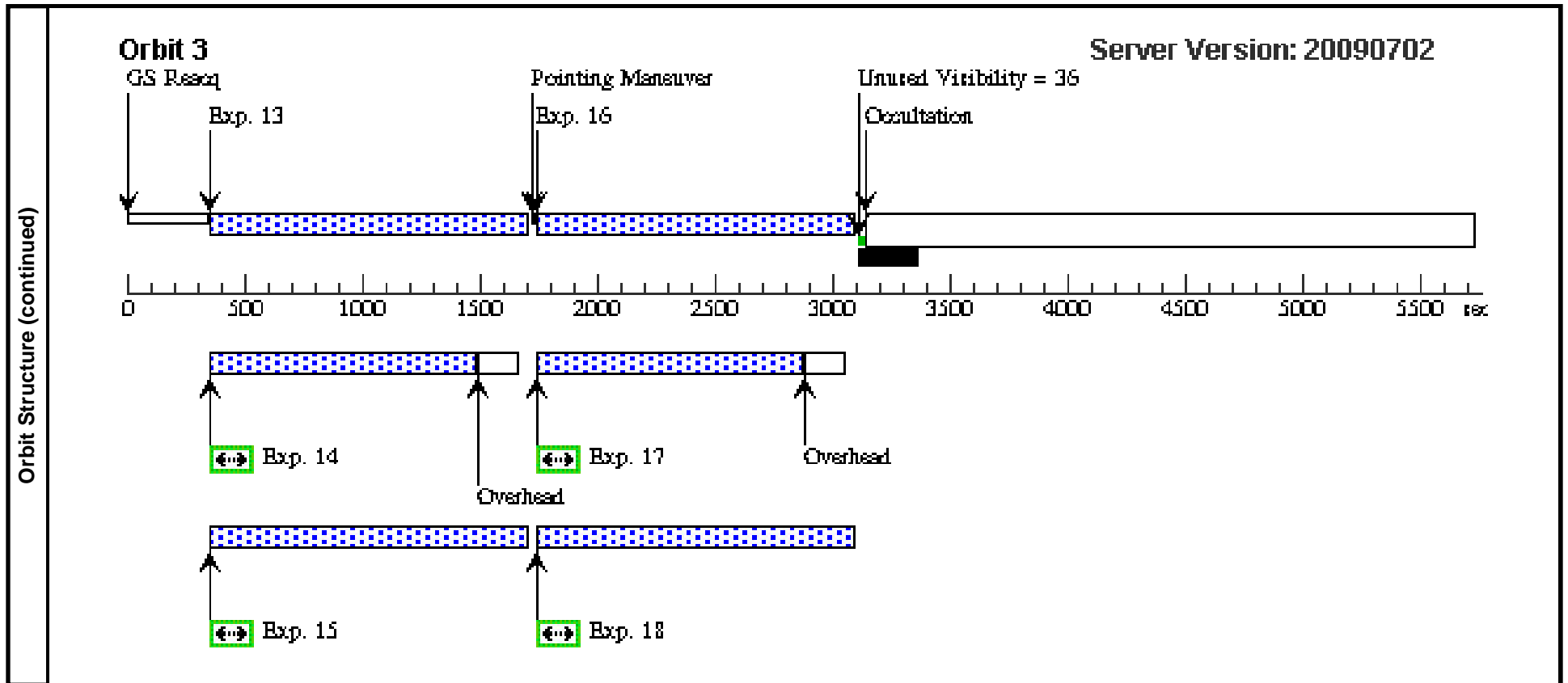
Visit	Proposal 11144, Visit 15, completed									
	Diagnostic Status: No Diagnostics									
Scientific Instruments: ACS/SBC, WFPC2, NIC3										
Special Requirements: ORIENT 310.0D TO 330.0 D; ORIENT 40.0D TO 60.0 D; ORIENT 130.0D TO 150.0 D; ORIENT 220.0D TO 240.0 D										
Fixed Targets	#	Name	Target Coordinates	Targ. Coord. Corrections	Fluxes	Miscellaneous				
		(17)	GOODS-S5	RA: 03 32 33.0240 (53.1376000d) Dec: -27 45 43.92 (-27.76220d) Equinox: J2000		V=25	Reference Frame: ICRS			
<i>Comments: Same as GOODS-S29 (from 11082)</i>										
Exposures	#	Label	Target	Config,Mode,Aperture	Spectral Els.	Opt. Params.	Special Reqs.	Groups	Exp. Time/[Actual Dur.]	Orbit
	1		(17) GOODS-S5	NIC3, MULTIACCUM, NIC3	F110W	SAMP-SEQ=SPARS 64; NSAMP=23	POS TARG 0.0,-0.4 06	Prime + Parallel Group 1-3	[==>]	[1]
	2		ANY	WFPC2, IMAGE, WF3-FIX	F300W	CR-SPLIT=NO		Prime + Parallel Group 1-3	1000.0 Secs [==>1000.0 Secs ]	[1]
	3		ANY	ACS/SBC, ACCUM, SBC	F150LP			Prime + Parallel Group 1-3	1250.0 Secs [==>1290.0 Secs ]	[1]
	4		(17) GOODS-S5	NIC3, MULTIACCUM, NIC3	F110W	SAMP-SEQ=SPARS 64; NSAMP=23	POS TARG 0.753,-0 .102	Prime + Parallel Group 4-6	[==>]	[1]
	5		ANY	WFPC2, IMAGE, WF3-FIX	F300W	CR-SPLIT=NO		Prime + Parallel Group 4-6	1000.0 Secs [==>1000.0 Secs ]	[1]
	6		ANY	ACS/SBC, ACCUM, SBC	F150LP			Prime + Parallel Group 4-6	1250.0 Secs [==>1329.0 Secs ]	[1]
	7		(17) GOODS-S5	NIC3, MULTIACCUM, NIC3	F110W	SAMP-SEQ=SPARS 64; NSAMP=23	POS TARG 0.44870 000000000004,0.651	Prime + Parallel Group 7-9	[==>]	[2]
	8		ANY	WFPC2, IMAGE, WF3-FIX	F300W	CR-SPLIT=NO		Prime + Parallel Group 7-9	1000.0 Secs [==>1000.0 Secs ]	[2]
	9		ANY	ACS/SBC, ACCUM, SBC	F150LP			Prime + Parallel Group 7-9	1250.0 Secs [==>1329.0 Secs ]	[2]
	10		(17) GOODS-S5	NIC3, MULTIACCUM, NIC3	F110W	SAMP-SEQ=SPARS 64; NSAMP=23	POS TARG -0.3042, 0.3469	Prime + Parallel Group 10-12	[==>]	[2]
	11		ANY	WFPC2, IMAGE, WF3-FIX	F300W	CR-SPLIT=NO		Prime + Parallel Group 10-12	1000.0 Secs [==>1000.0 Secs ]	[2]
12		ANY	ACS/SBC, ACCUM, SBC	F150LP			Prime + Parallel Group 10-12	1250.0 Secs [==>1329.0 Secs ]	[2]	

Proposal 11144 - Visit 15 - Building on the Significant NICMOS Investment in GOODS: A Bright, Wide-Area Search for z>...

Exposures (continued)	#	Label	Target	Config,Mode,Aperture	Spectral Els.	Opt. Params.	Special Reqs.	Groups	Exp. Time/[Actual Dur.]	Orbit
	13		(17) GOODS-S5	NIC3, MULTIACCUM, NIC3	F110W	SAMP-SEQ=SPARS 64; NSAMP=23	POS TARG -1.057,0 .0427	Prime + Parallel Gro up 13-15	[==>]	[3]
	14		ANY	WFPC2, IMAGE, WF3-FIX	F300W	CR-SPLIT=NO		Prime + Parallel Gro up 13-15	1000.0 Secs [==>1000.0 Secs ]	[3]
	15		ANY	ACS/SBC, ACCUM, SBC	F150LP			Prime + Parallel Gro up 13-15	1250.0 Secs [==>1329.0 Secs ]	[3]
	16		(17) GOODS-S5	NIC3, MULTIACCUM, NIC3	F110W	SAMP-SEQ=SPARS 64; NSAMP=23	POS TARG -0.7529, -0.7102	Prime + Parallel Gro up 16-18	[==>]	[3]
	17		ANY	WFPC2, IMAGE, WF3-FIX	F300W	CR-SPLIT=NO		Prime + Parallel Gro up 16-18	1000.0 Secs [==>1000.0 Secs ]	[3]
	18		ANY	ACS/SBC, ACCUM, SBC	F150LP			Prime + Parallel Gro up 16-18	1250.0 Secs [==>1329.0 Secs ]	[3]







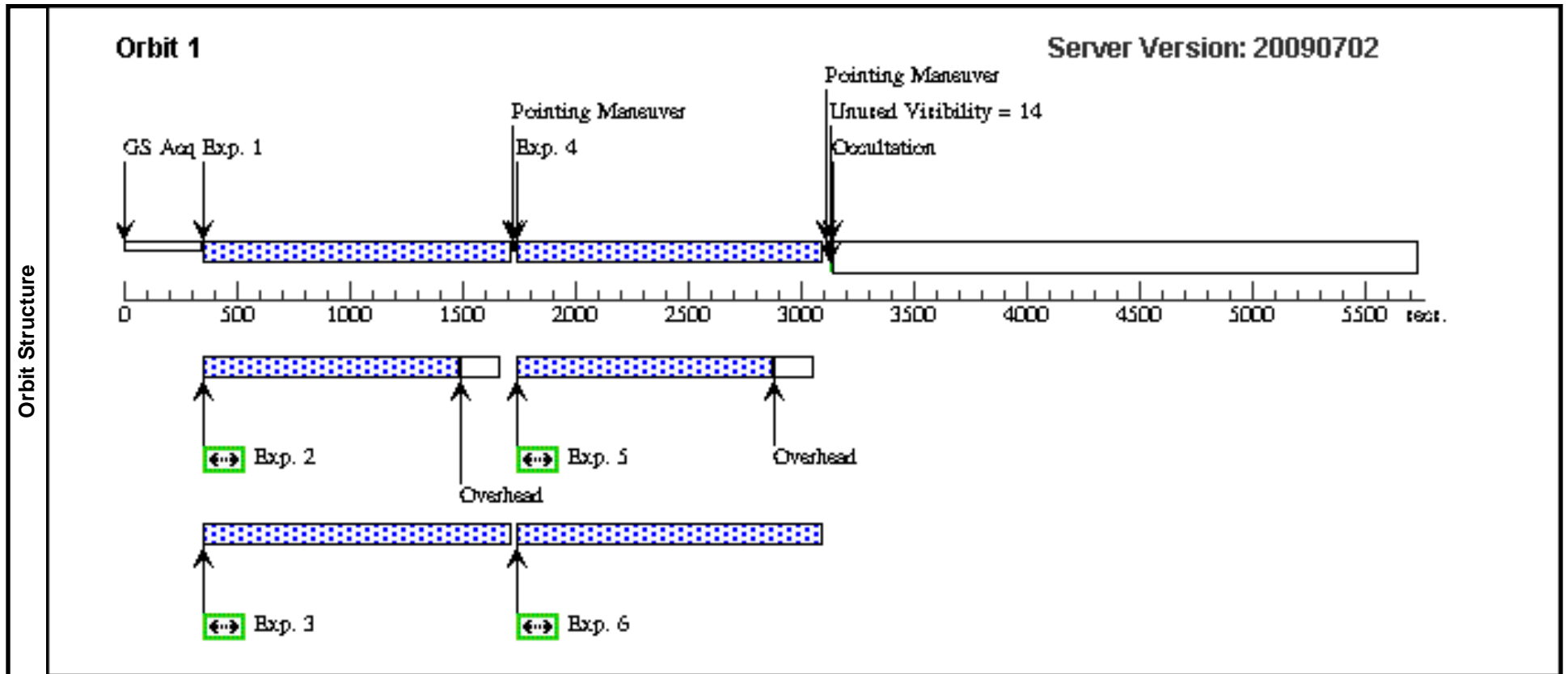
Proposal 11144 - Visit 16 - Building on the Significant NICMOS Investment in GOODS: A Bright, Wide-Area Search for z>...

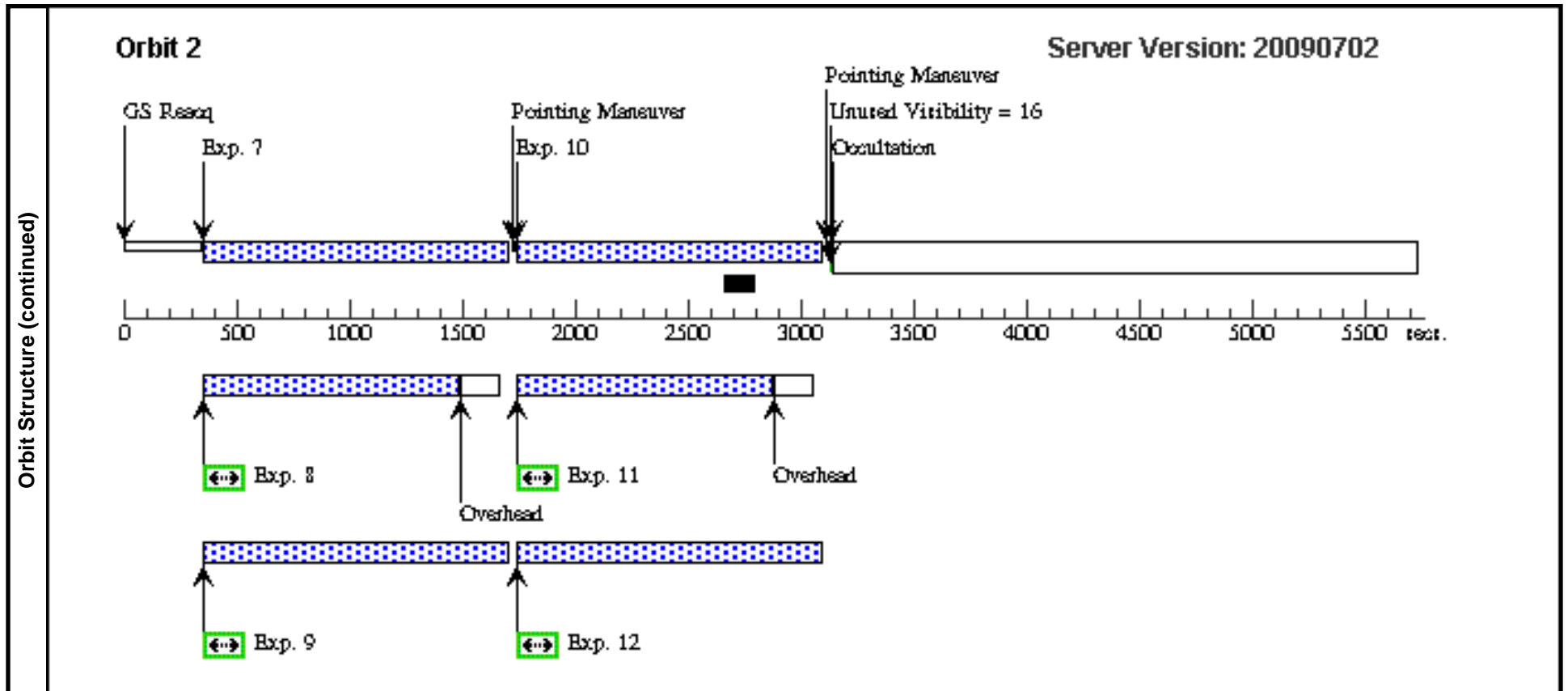
Thu Sep 24 01:05:13 GMT 2009

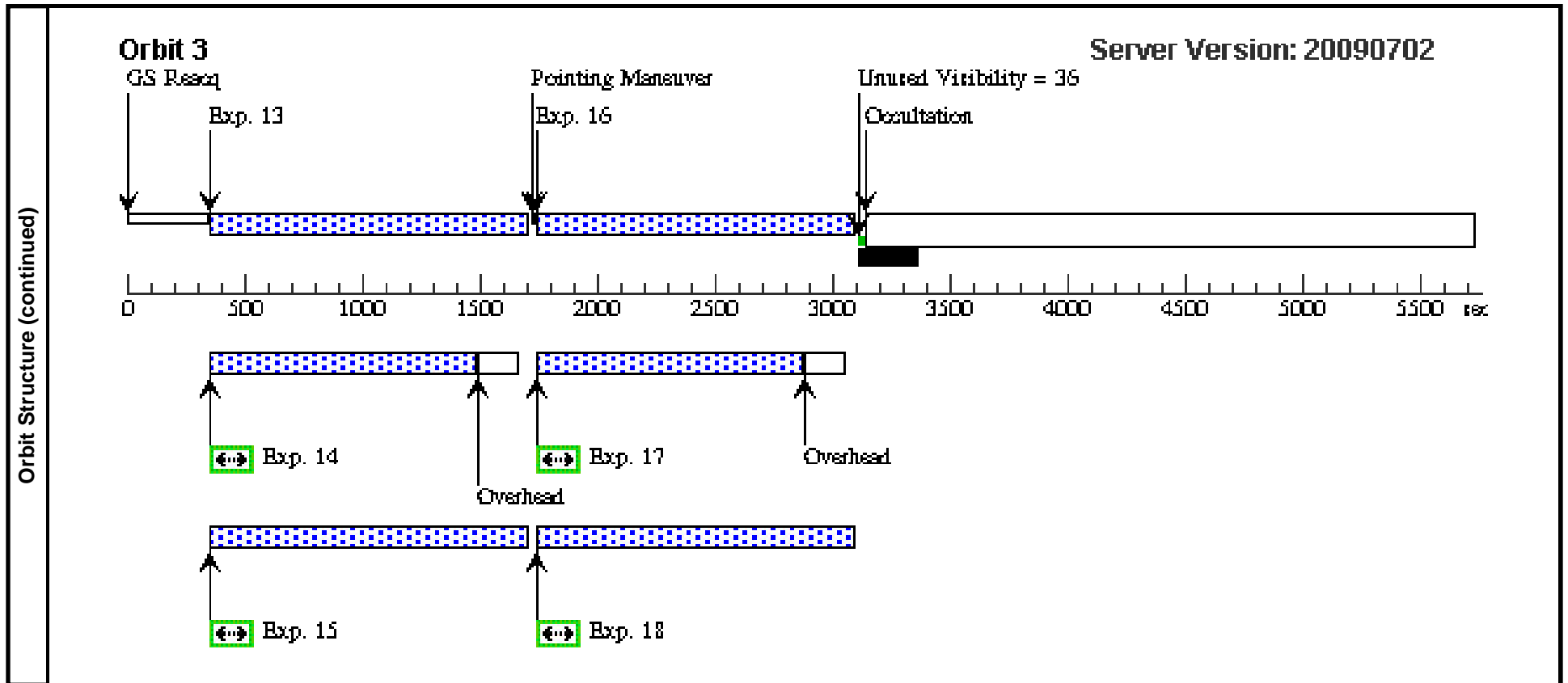
Visit	<b>Proposal 11144, Visit 16, completed</b> <b>Diagnostic Status: No Diagnostics</b> Scientific Instruments: ACS/SBC, WFPC2, NIC3 Special Requirements: ORIENT 300.0D TO 325.0 D; ORIENT 120.0D TO 145.0 D; ORIENT 210.0D TO 235.0 D									
	Fixed Targets	#	Name	Target Coordinates	Targ. Coord. Corrections	Fluxes	Miscellaneous			
	(18)	GOODS-S6	RA: 03 33 2.6110 (53.2608792d) Dec: -27 53 45.22 (-27.89589d) Equinox: J2000			V=25	Reference Frame: ICRS			
	<i>Comments: GOODS-S9</i>									
Exposures	#	Label	Target	Config,Mode,Aperture	Spectral Els.	Opt. Params.	Special Reqs.	Groups	Exp. Time/[Actual Dur.]	Orbit
	1	(18) GOODS-S6	NIC3, MULTIACCUM, NIC3	F110W	SAMP-SEQ=SPARS 64; NSAMP=23	POS TARG 0.0,-0.4 06	Prime + Parallel Group 1-3	[==>]	[1]	
	2	ANY	WFPC2, IMAGE, WF3-FIX	F300W	CR-SPLIT=NO		Prime + Parallel Group 1-3	1000.0 Secs [==>1000.0 Secs ]	[1]	
	3	ANY	ACS/SBC, ACCUM, SBC	F150LP			Prime + Parallel Group 1-3	1250.0 Secs [==>1290.0 Secs ]	[1]	
	4	(18) GOODS-S6	NIC3, MULTIACCUM, NIC3	F110W	SAMP-SEQ=SPARS 64; NSAMP=23	POS TARG 0.753,-0 .102	Prime + Parallel Group 4-6	[==>]	[1]	
	5	ANY	WFPC2, IMAGE, WF3-FIX	F300W	CR-SPLIT=NO		Prime + Parallel Group 4-6	1000.0 Secs [==>1000.0 Secs ]	[1]	
	6	ANY	ACS/SBC, ACCUM, SBC	F150LP			Prime + Parallel Group 4-6	1250.0 Secs [==>1329.0 Secs ]	[1]	
	7	(18) GOODS-S6	NIC3, MULTIACCUM, NIC3	F110W	SAMP-SEQ=SPARS 64; NSAMP=23	POS TARG 0.44870 000000000004,0.651	Prime + Parallel Group 7-9	[==>]	[2]	
	8	ANY	WFPC2, IMAGE, WF3-FIX	F300W	CR-SPLIT=NO		Prime + Parallel Group 7-9	1000.0 Secs [==>1000.0 Secs ]	[2]	
	9	ANY	ACS/SBC, ACCUM, SBC	F150LP			Prime + Parallel Group 7-9	1250.0 Secs [==>1329.0 Secs ]	[2]	
	10	(18) GOODS-S6	NIC3, MULTIACCUM, NIC3	F110W	SAMP-SEQ=SPARS 64; NSAMP=23	POS TARG -0.3042, 0.3469	Prime + Parallel Group 10-12	[==>]	[2]	
	11	ANY	WFPC2, IMAGE, WF3-FIX	F300W	CR-SPLIT=NO		Prime + Parallel Group 10-12	1000.0 Secs [==>1000.0 Secs ]	[2]	
12	ANY	ACS/SBC, ACCUM, SBC	F150LP			Prime + Parallel Group 10-12	1250.0 Secs [==>1329.0 Secs ]	[2]		

Proposal 11144 - Visit 16 - Building on the Significant NICMOS Investment in GOODS: A Bright, Wide-Area Search for z>...

Exposures (continued)	#	Label	Target	Config,Mode,Aperture	Spectral Els.	Opt. Params.	Special Reqs.	Groups	Exp. Time/[Actual Dur.]	Orbit
	13		(18) GOODS-S6	NIC3, MULTIACCUM, NIC3	F110W	SAMP-SEQ=SPARS 64; NSAMP=23	POS TARG -1.057,0 .0427	Prime + Parallel Gro up 13-15	[==>]	[3]
	14		ANY	WFPC2, IMAGE, WF3-FIX	F300W	CR-SPLIT=NO		Prime + Parallel Gro up 13-15	1000.0 Secs [==>1000.0 Secs ]	[3]
	15		ANY	ACS/SBC, ACCUM, SBC	F150LP			Prime + Parallel Gro up 13-15	1250.0 Secs [==>1329.0 Secs ]	[3]
	16		(18) GOODS-S6	NIC3, MULTIACCUM, NIC3	F110W	SAMP-SEQ=SPARS 64; NSAMP=23	POS TARG -0.7529, -0.7102	Prime + Parallel Gro up 16-18	[==>]	[3]
	17		ANY	WFPC2, IMAGE, WF3-FIX	F300W	CR-SPLIT=NO		Prime + Parallel Gro up 16-18	1000.0 Secs [==>1000.0 Secs ]	[3]
	18		ANY	ACS/SBC, ACCUM, SBC	F150LP			Prime + Parallel Gro up 16-18	1250.0 Secs [==>1329.0 Secs ]	[3]







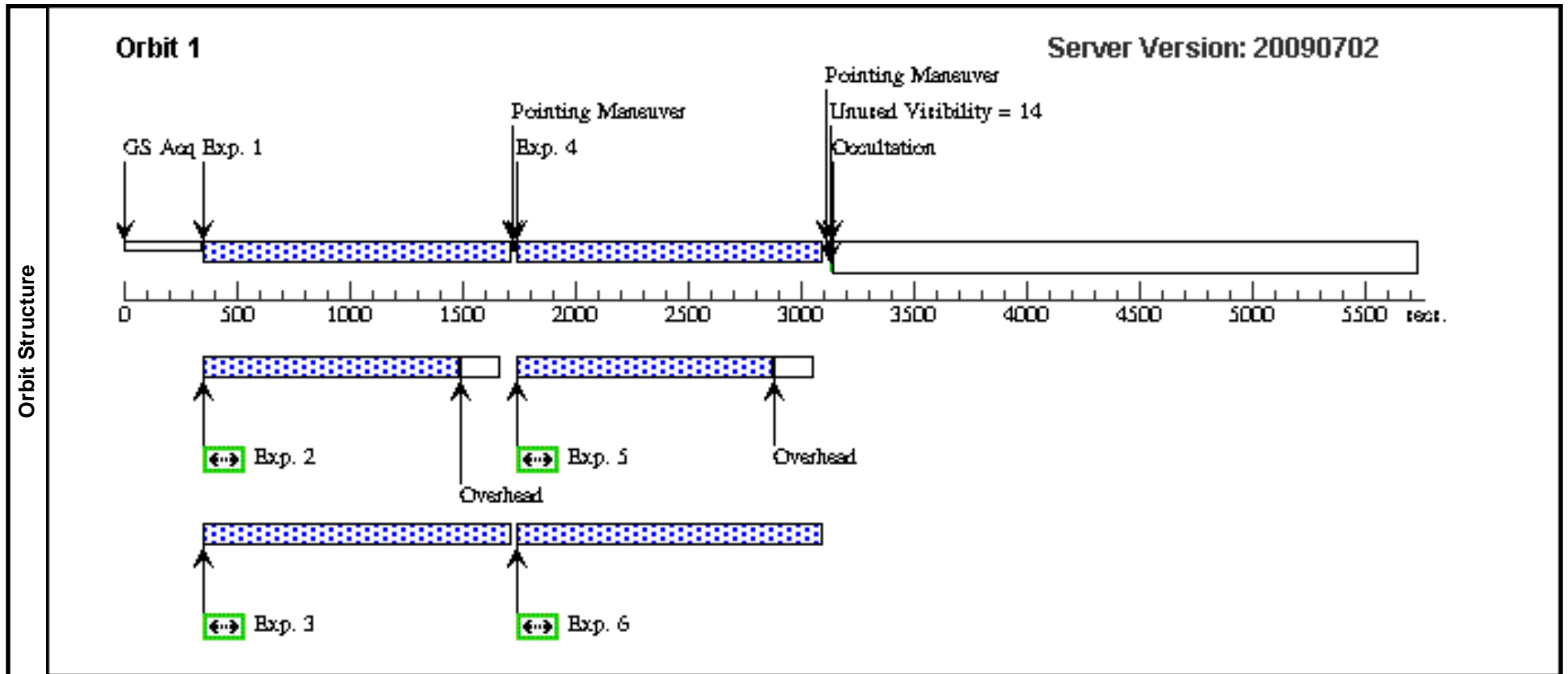
Proposal 11144 - Visit 17 - Building on the Significant NICMOS Investment in GOODS: A Bright, Wide-Area Search for z>...

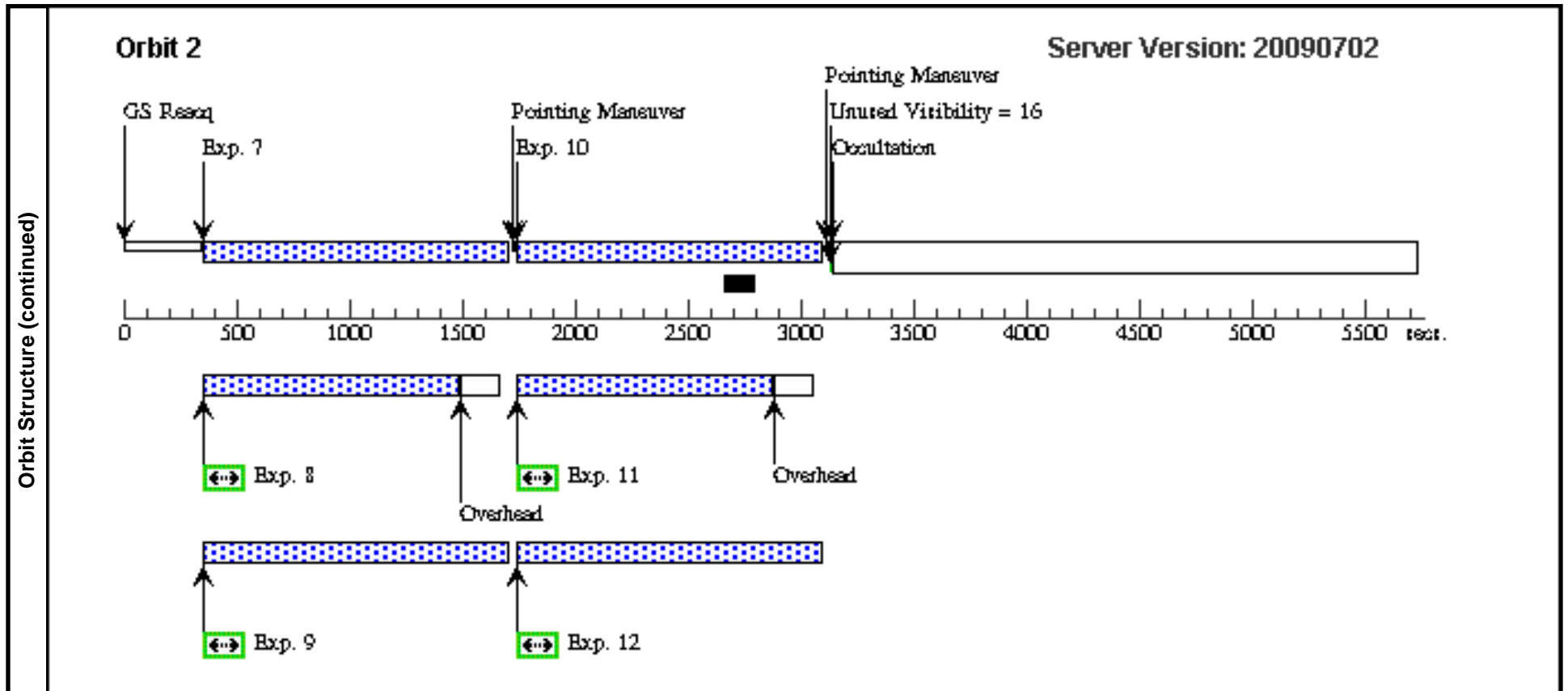
Thu Sep 24 01:05:13 GMT 2009

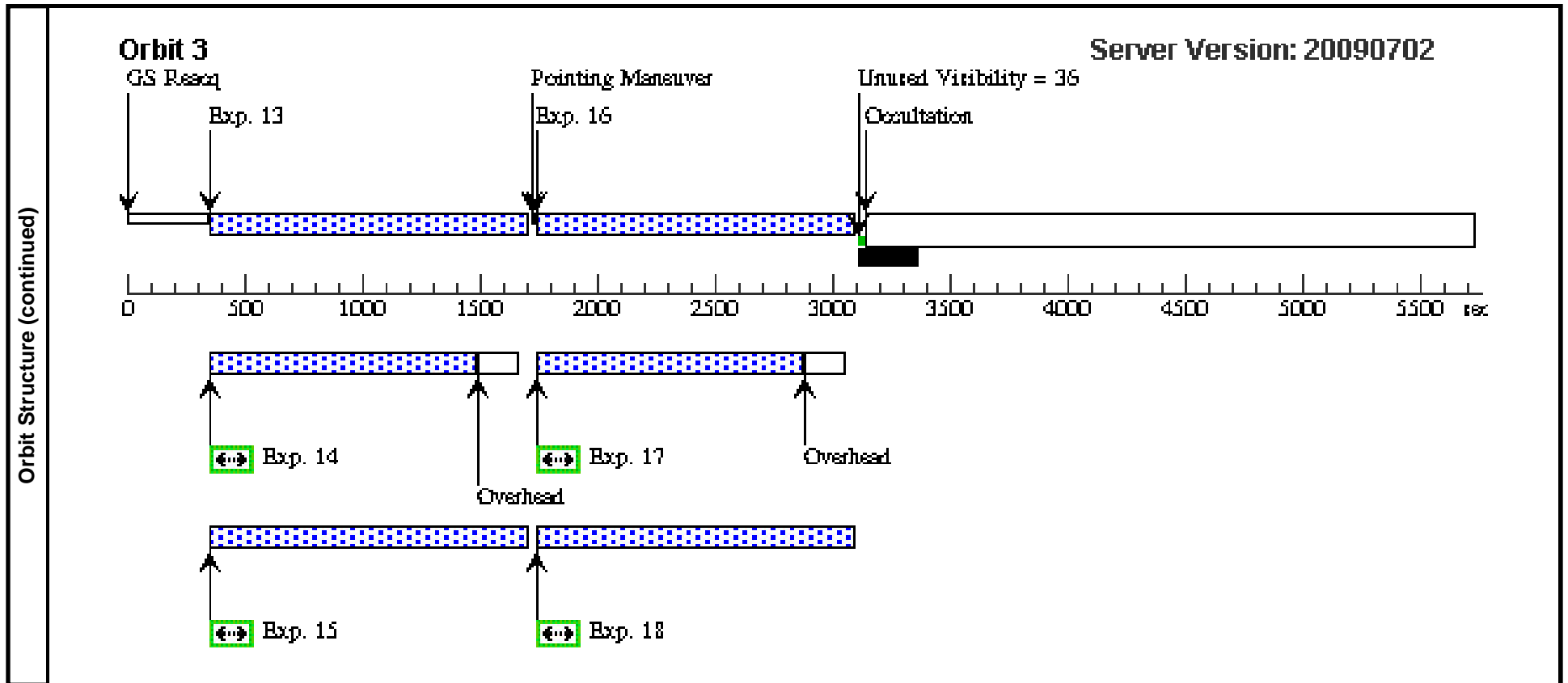
Visit	Proposal 11144, Visit 17, completed									
	Diagnostic Status: No Diagnostics									
Scientific Instruments: ACS/SBC, WFPC2, NIC3										
Special Requirements: ORIENT 310.0D TO 330.0 D; ORIENT 40.0D TO 60.0 D; ORIENT 130.0D TO 150.0 D; ORIENT 220.0D TO 240.0 D										
Fixed Targets	#	Name	Target Coordinates	Targ. Coord. Corrections	Fluxes	Miscellaneous				
		(19)	GOODS-S7	RA: 03 32 28.5598 (53.1189992d) Dec: -27 54 57.59 (-27.91600d) Equinox: J2000		V=25	Reference Frame: ICRS			
<i>Comments: Same as GOODS-S10 (from 11082)</i>										
Exposures	#	Label	Target	Config,Mode,Aperture	Spectral Els.	Opt. Params.	Special Reqs.	Groups	Exp. Time/[Actual Dur.]	Orbit
	1		(19) GOODS-S7	NIC3, MULTIACCUM, NIC3	F110W	SAMP-SEQ=SPARS 64; NSAMP=23	POS TARG 0.0,-0.4 06	Prime + Parallel Group 1-3	[==>]	[1]
	2		ANY	WFPC2, IMAGE, WF3-FIX	F300W	CR-SPLIT=NO		Prime + Parallel Group 1-3	1000.0 Secs [==>1000.0 Secs ]	[1]
	3		ANY	ACS/SBC, ACCUM, SBC	F150LP			Prime + Parallel Group 1-3	1250.0 Secs [==>1290.0 Secs ]	[1]
	4		(19) GOODS-S7	NIC3, MULTIACCUM, NIC3	F110W	SAMP-SEQ=SPARS 64; NSAMP=23	POS TARG 0.753,-0 .102	Prime + Parallel Group 4-6	[==>]	[1]
	5		ANY	WFPC2, IMAGE, WF3-FIX	F300W	CR-SPLIT=NO		Prime + Parallel Group 4-6	1000.0 Secs [==>1000.0 Secs ]	[1]
	6		ANY	ACS/SBC, ACCUM, SBC	F150LP			Prime + Parallel Group 4-6	1250.0 Secs [==>1329.0 Secs ]	[1]
	7		(19) GOODS-S7	NIC3, MULTIACCUM, NIC3	F110W	SAMP-SEQ=SPARS 64; NSAMP=23	POS TARG 0.44870 000000000004,0.651	Prime + Parallel Group 7-9	[==>]	[2]
	8		ANY	WFPC2, IMAGE, WF3-FIX	F300W	CR-SPLIT=NO		Prime + Parallel Group 7-9	1000.0 Secs [==>1000.0 Secs ]	[2]
	9		ANY	ACS/SBC, ACCUM, SBC	F150LP			Prime + Parallel Group 7-9	1250.0 Secs [==>1329.0 Secs ]	[2]
	10		(19) GOODS-S7	NIC3, MULTIACCUM, NIC3	F110W	SAMP-SEQ=SPARS 64; NSAMP=23	POS TARG -0.3042, 0.3469	Prime + Parallel Group 10-12	[==>]	[2]
	11		ANY	WFPC2, IMAGE, WF3-FIX	F300W	CR-SPLIT=NO		Prime + Parallel Group 10-12	1000.0 Secs [==>1000.0 Secs ]	[2]
12		ANY	ACS/SBC, ACCUM, SBC	F150LP			Prime + Parallel Group 10-12	1250.0 Secs [==>1329.0 Secs ]	[2]	

Proposal 11144 - Visit 17 - Building on the Significant NICMOS Investment in GOODS: A Bright, Wide-Area Search for z>...

Exposures (continued)	#	Label	Target	Config,Mode,Aperture	Spectral Els.	Opt. Params.	Special Reqs.	Groups	Exp. Time/[Actual Dur.]	Orbit
	13		(19) GOODS-S7	NIC3, MULTIACCUM, NIC3	F110W	SAMP-SEQ=SPARS 64; NSAMP=23	POS TARG -1.057,0 .0427	Prime + Parallel Gro up 13-15	[==>]	[3]
	14		ANY	WFPC2, IMAGE, WF3-FIX	F300W	CR-SPLIT=NO		Prime + Parallel Gro up 13-15	1000.0 Secs [==>1000.0 Secs ]	[3]
	15		ANY	ACS/SBC, ACCUM, SBC	F150LP			Prime + Parallel Gro up 13-15	1250.0 Secs [==>1329.0 Secs ]	[3]
	16		(19) GOODS-S7	NIC3, MULTIACCUM, NIC3	F110W	SAMP-SEQ=SPARS 64; NSAMP=23	POS TARG -0.7529, -0.7102	Prime + Parallel Gro up 16-18	[==>]	[3]
	17		ANY	WFPC2, IMAGE, WF3-FIX	F300W	CR-SPLIT=NO		Prime + Parallel Gro up 16-18	1000.0 Secs [==>1000.0 Secs ]	[3]
	18		ANY	ACS/SBC, ACCUM, SBC	F150LP			Prime + Parallel Gro up 16-18	1250.0 Secs [==>1329.0 Secs ]	[3]







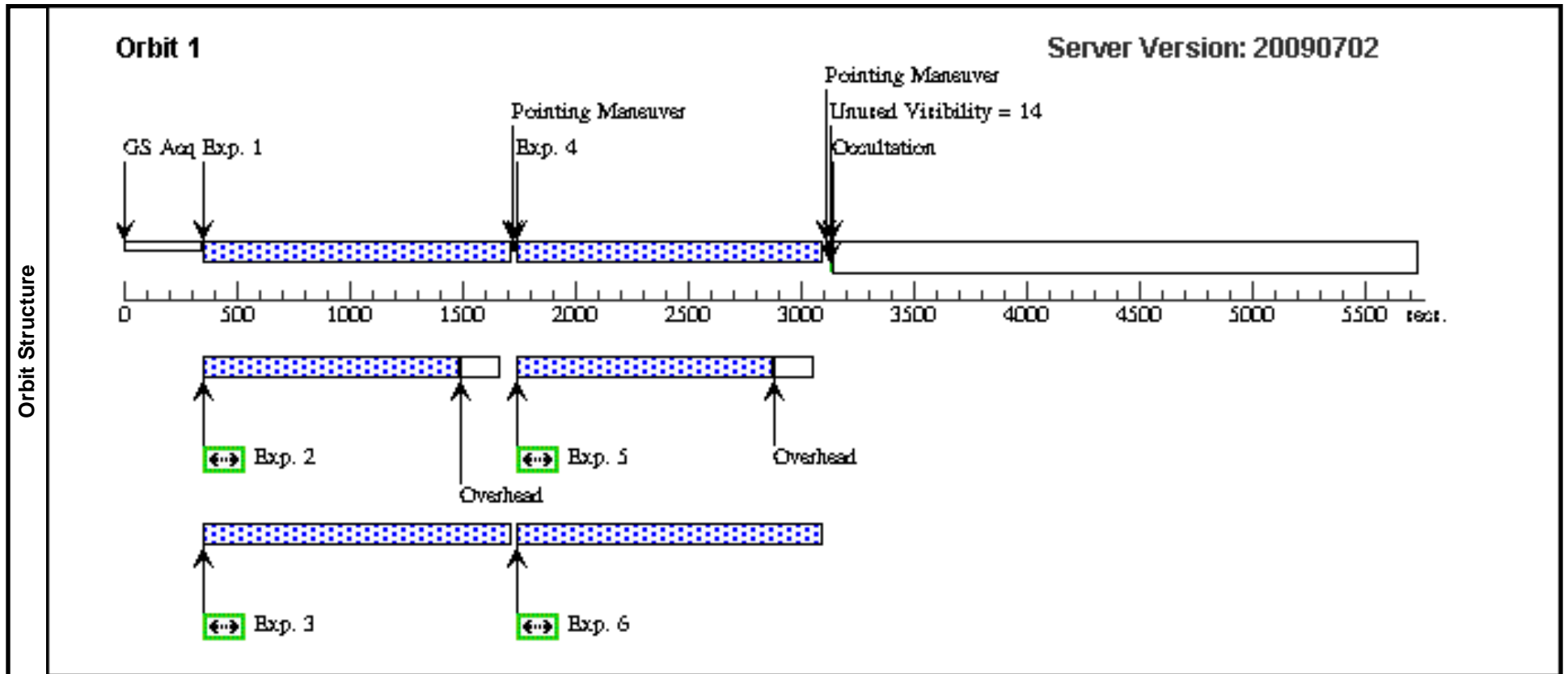
Proposal 11144 - Visit 18 - Building on the Significant NICMOS Investment in GOODS: A Bright, Wide-Area Search for z>...

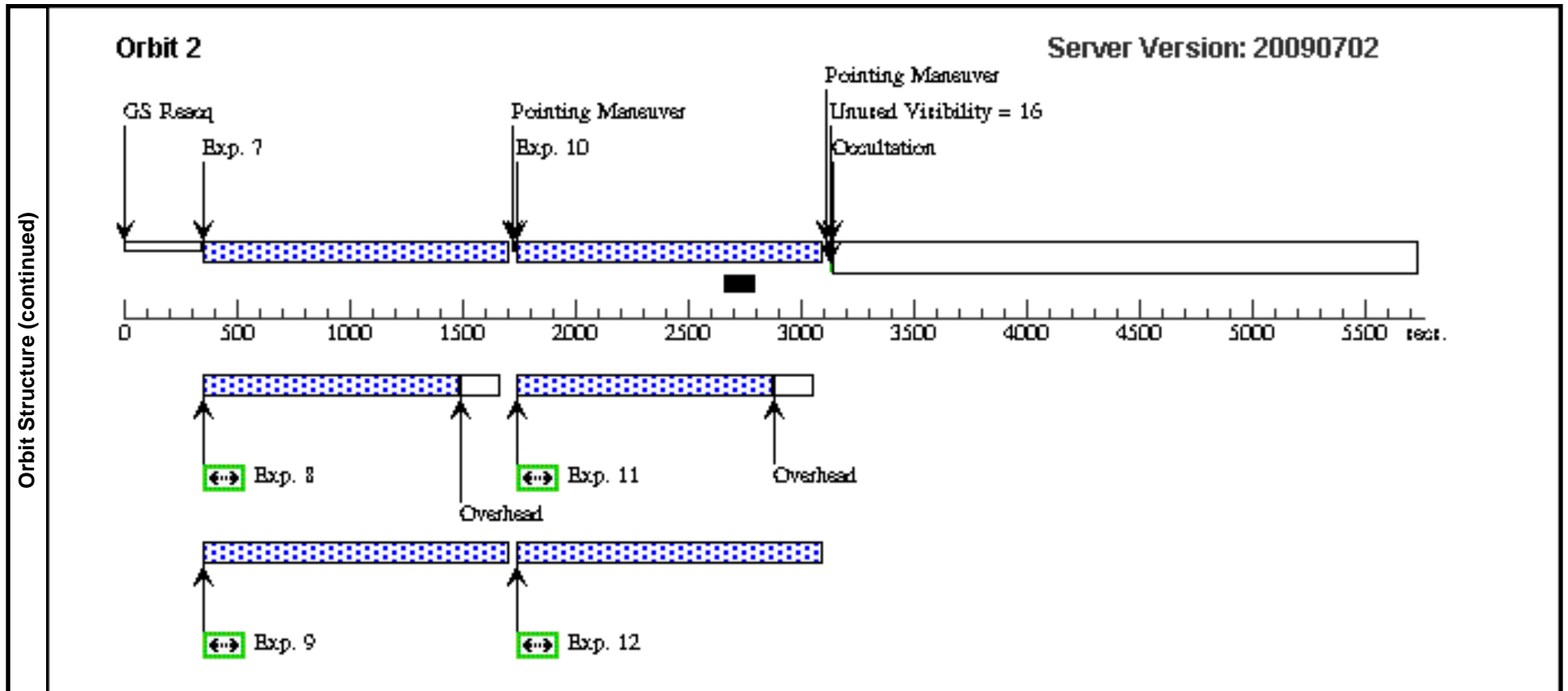
Thu Sep 24 01:05:14 GMT 2009

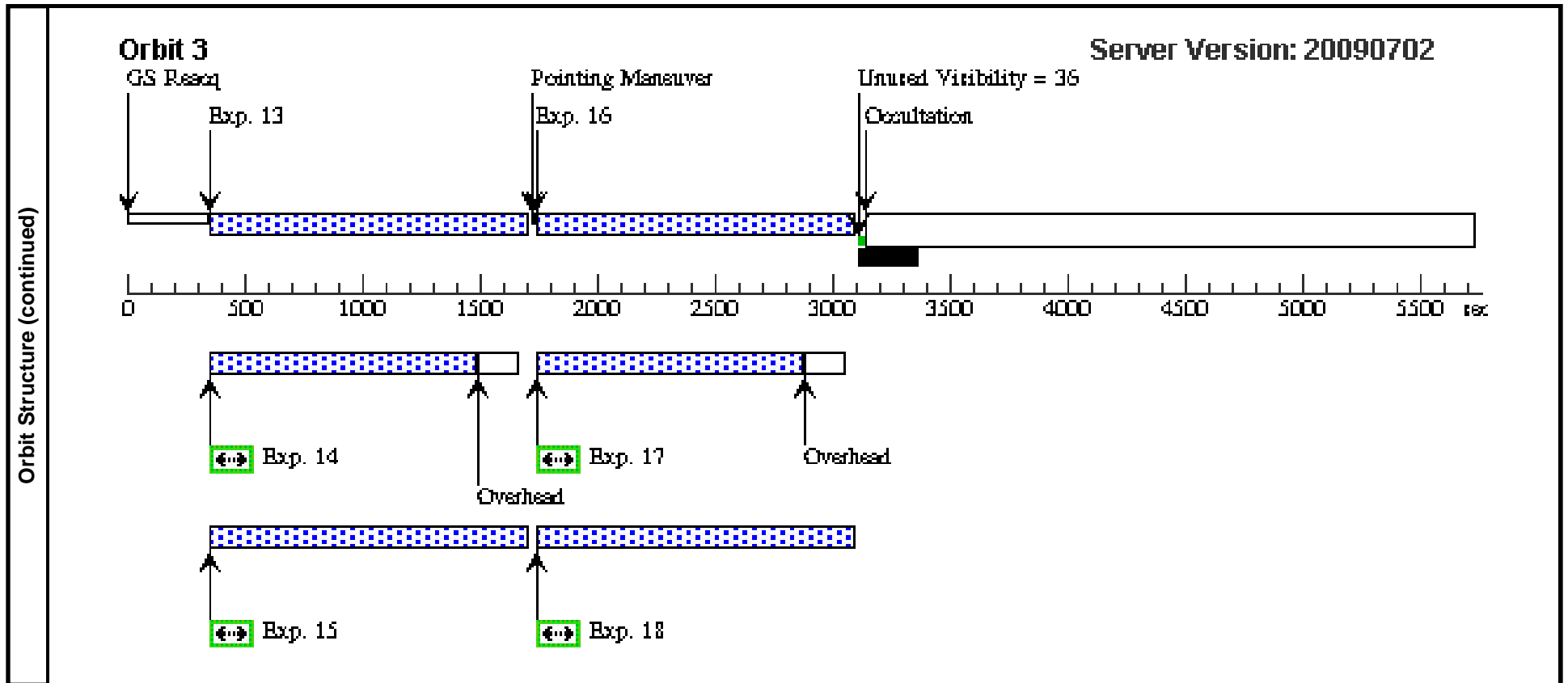
Visit	<b>Proposal 11144, Visit 18, completed</b> <b>Diagnostic Status: No Diagnostics</b> Scientific Instruments: ACS/SBC, WFPC2, NIC3 Special Requirements: ORIENT 290.0D TO 325.0 D; ORIENT 20.0D TO 55.0 D; ORIENT 110.0D TO 145.0 D; ORIENT 200.0D TO 235.0 D									
	Fixed Targets	#      Name      Target Coordinates      Targ. Coord. Corrections      Fluxes      Miscellaneous (20)    GOODS-S8      RA: 03 32 14.8800 (53.0620000d) Dec: -27 52 26.40 (-27.87400d) Equinox: J2000 Comments: Same as GOODS-S14 (from 11082)								
Exposures	#	Label	Target	Config,Mode,Aperture	Spectral Els.	Opt. Params.	Special Reqs.	Groups	Exp. Time/[Actual Dur.]	Orbit
	1	(20) GOODS-S8	NIC3, MULTIACCUM, NIC3	F110W	SAMP-SEQ=SPARS 64; NSAMP=23	POS TARG 0.0,-0.4 06	Prime + Parallel Group 1-3	[==>]	[1]	
	2	ANY	WFPC2, IMAGE, WF3-FIX	F300W	CR-SPLIT=NO		Prime + Parallel Group 1-3	1000.0 Secs [==>1000.0 Secs ]	[1]	
	3	ANY	ACS/SBC, ACCUM, SBC	F150LP			Prime + Parallel Group 1-3	1250.0 Secs [==>1290.0 Secs ]	[1]	
	4	(20) GOODS-S8	NIC3, MULTIACCUM, NIC3	F110W	SAMP-SEQ=SPARS 64; NSAMP=23	POS TARG 0.753,-0 .102	Prime + Parallel Group 4-6	[==>]	[1]	
	5	ANY	WFPC2, IMAGE, WF3-FIX	F300W	CR-SPLIT=NO		Prime + Parallel Group 4-6	1000.0 Secs [==>1000.0 Secs ]	[1]	
	6	ANY	ACS/SBC, ACCUM, SBC	F150LP			Prime + Parallel Group 4-6	1250.0 Secs [==>1329.0 Secs ]	[1]	
	7	(20) GOODS-S8	NIC3, MULTIACCUM, NIC3	F110W	SAMP-SEQ=SPARS 64; NSAMP=23	POS TARG 0.44870 000000000004,0.651	Prime + Parallel Group 7-9	[==>]	[2]	
	8	ANY	WFPC2, IMAGE, WF3-FIX	F300W	CR-SPLIT=NO		Prime + Parallel Group 7-9	1000.0 Secs [==>1000.0 Secs ]	[2]	
	9	ANY	ACS/SBC, ACCUM, SBC	F150LP			Prime + Parallel Group 7-9	1250.0 Secs [==>1329.0 Secs ]	[2]	
	10	(20) GOODS-S8	NIC3, MULTIACCUM, NIC3	F110W	SAMP-SEQ=SPARS 64; NSAMP=23	POS TARG -0.3042, 0.3469	Prime + Parallel Group 10-12	[==>]	[2]	
	11	ANY	WFPC2, IMAGE, WF3-FIX	F300W	CR-SPLIT=NO		Prime + Parallel Group 10-12	1000.0 Secs [==>1000.0 Secs ]	[2]	
	12	ANY	ACS/SBC, ACCUM, SBC	F150LP			Prime + Parallel Group 10-12	1250.0 Secs [==>1329.0 Secs ]	[2]	

Proposal 11144 - Visit 18 - Building on the Significant NICMOS Investment in GOODS: A Bright, Wide-Area Search for z>...

Exposures (continued)	#	Label	Target	Config,Mode,Aperture	Spectral Els.	Opt. Params.	Special Reqs.	Groups	Exp. Time/[Actual Dur.]	Orbit
	13		(20) GOODS-S8	NIC3, MULTIACCUM, NIC3	F110W	SAMP-SEQ=SPARS 64; NSAMP=23	POS TARG -1.057,0 .0427	Prime + Parallel Gro up 13-15	[==>]	[3]
	14		ANY	WFPC2, IMAGE, WF3-FIX	F300W	CR-SPLIT=NO		Prime + Parallel Gro up 13-15	1000.0 Secs [==>1000.0 Secs ]	[3]
	15		ANY	ACS/SBC, ACCUM, SBC	F150LP			Prime + Parallel Gro up 13-15	1250.0 Secs [==>1329.0 Secs ]	[3]
	16		(20) GOODS-S8	NIC3, MULTIACCUM, NIC3	F110W	SAMP-SEQ=SPARS 64; NSAMP=23	POS TARG -0.7529, -0.7102	Prime + Parallel Gro up 16-18	[==>]	[3]
	17		ANY	WFPC2, IMAGE, WF3-FIX	F300W	CR-SPLIT=NO		Prime + Parallel Gro up 16-18	1000.0 Secs [==>1000.0 Secs ]	[3]
	18		ANY	ACS/SBC, ACCUM, SBC	F150LP			Prime + Parallel Gro up 16-18	1250.0 Secs [==>1329.0 Secs ]	[3]



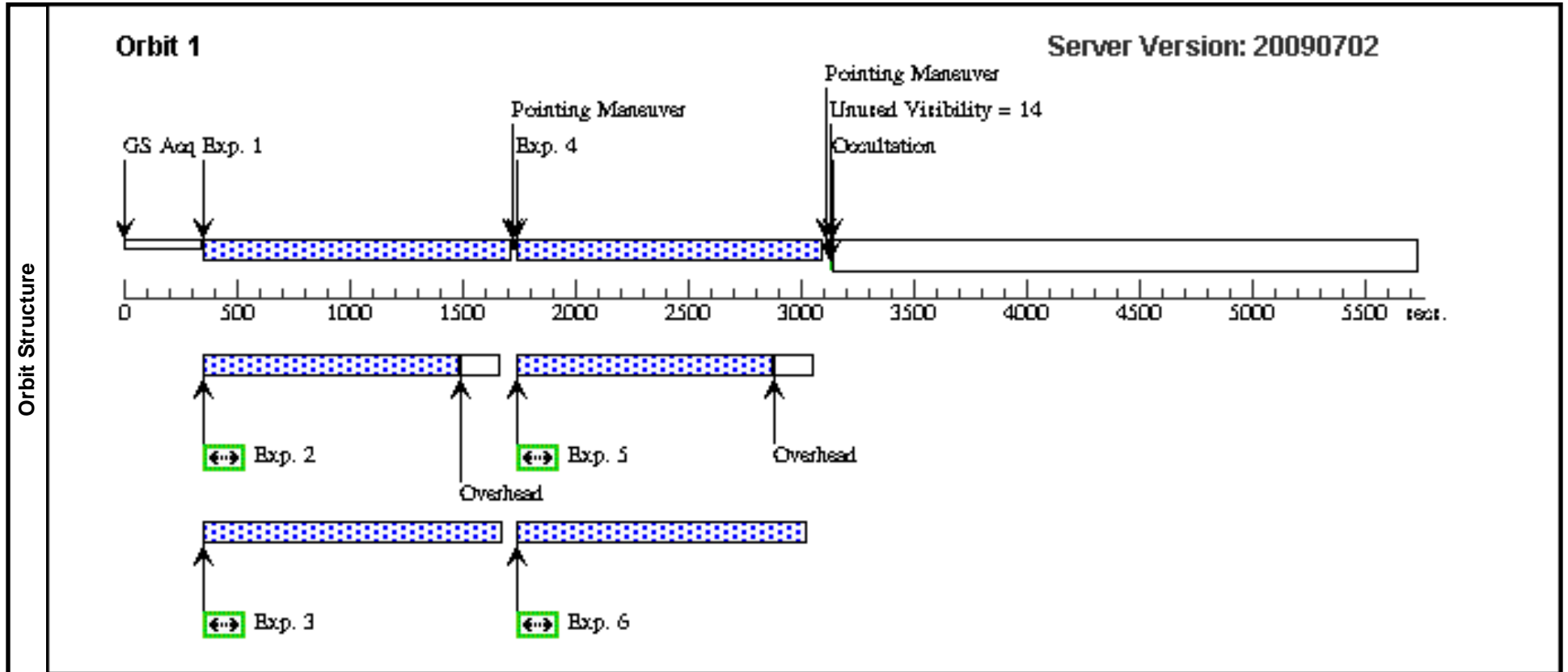


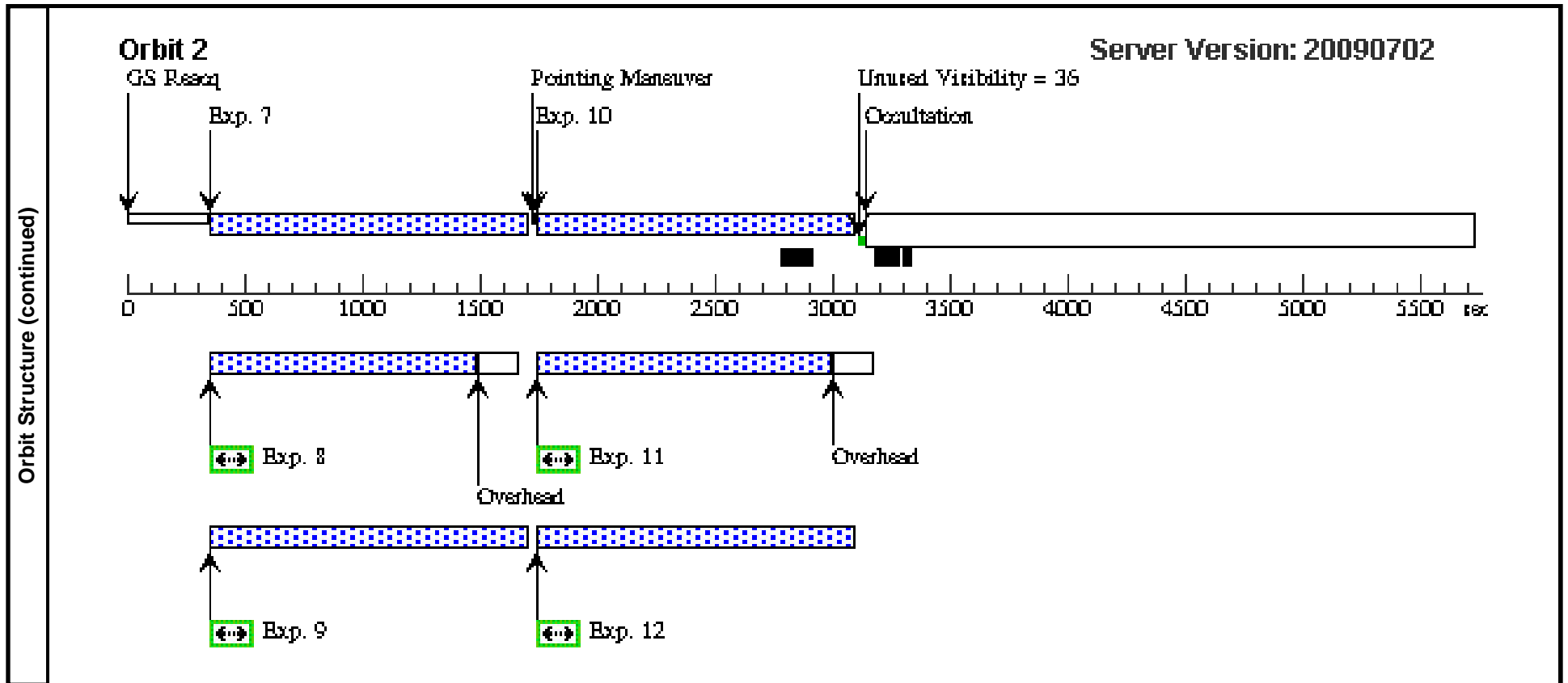


Proposal 11144 - Visit 19 - Building on the Significant NICMOS Investment in GOODS: A Bright, Wide-Area Search for z>...

Thu Sep 24 01:05:15 GMT 2009

Visit	<b>Proposal 11144, Visit 19, completed</b> <b>Diagnostic Status: No Diagnostics</b> Scientific Instruments: ACS/SBC, WFPC2, NIC3 Special Requirements: ORIENT 264D TO 268 D									
	Fixed Targets	#	Name	Target Coordinates	Targ. Coord. Corrections	Fluxes	Miscellaneous			
	(12)	GOODS-S4-FOLLOW-UP	RA: 03 32 43.2307 (53.1801279d) Dec: -27 42 26.80 (-27.70744d) Equinox: J2000			V=25	Reference Frame: ICRS			
Exposures	#	Label	Target	Config,Mode,Aperture	Spectral Els.	Opt. Params.	Special Reqs.	Groups	Exp. Time/[Actual Dur.]	Orbit
	1		(12) GOODS-S4-FOLLOW-UP	NIC3, MULTIACCUM, NIC3	F110W	SAMP-SEQ=SPARS 64; NSAMP=23	POS TARG 0.0,-0.4 06	Prime + Parallel Group 1-3	[==>]	[1]
	2		ANY	WFPC2, IMAGE, WF3-FIX	F300W	CR-SPLIT=NO		Prime + Parallel Group 1-3	1000.0 Secs [==>]	[1]
	3		ANY	ACS/SBC, ACCUM, SBC	F150LP			Prime + Parallel Group 1-3	1250.0 Secs [==>]	[1]
	4		(12) GOODS-S4-FOLLOW-UP	NIC3, MULTIACCUM, NIC3	F110W	SAMP-SEQ=SPARS 64; NSAMP=23	POS TARG 0.44870 000000000004,0.651	Prime + Parallel Group 4-6	[==>]	[1]
	5		ANY	WFPC2, IMAGE, WF3-FIX	F300W	CR-SPLIT=NO		Prime + Parallel Group 4-6	1000.0 Secs [==>]	[1]
	6		ANY	ACS/SBC, ACCUM, SBC	F150LP			Prime + Parallel Group 4-6	1250.0 Secs [==>]	[1]
	7		(12) GOODS-S4-FOLLOW-UP	NIC3, MULTIACCUM, NIC3	F110W	SAMP-SEQ=SPARS 64; NSAMP=23	POS TARG -0.3042, 0.3469	Prime + Parallel Group 7-9	[==>]	[2]
	8		ANY	WFPC2, IMAGE, WF3-FIX	F300W	CR-SPLIT=NO		Prime + Parallel Group 7-9	800.0 Secs [==>1000.0 Secs ]	[2]
	9		ANY	ACS/SBC, ACCUM, SBC	F150LP			Prime + Parallel Group 7-9	1200.0 Secs [==>1329.0 Secs ]	[2]
	10		(12) GOODS-S4-FOLLOW-UP	NIC3, MULTIACCUM, NIC3	F110W	SAMP-SEQ=SPARS 64; NSAMP=23	POS TARG 0.753,-0 .102	Prime + Parallel Group 10-12	[==>]	[2]
	11		ANY	WFPC2, IMAGE, WF3-FIX	F300W	CR-SPLIT=NO		Prime + Parallel Group 10-12	1100.0 Secs [==>1100.0 Secs ]	[2]
12		ANY	ACS/SBC, ACCUM, SBC	F150LP			Prime + Parallel Group 10-12	1250.0 Secs [==>1329.0 Secs ]	[2]	

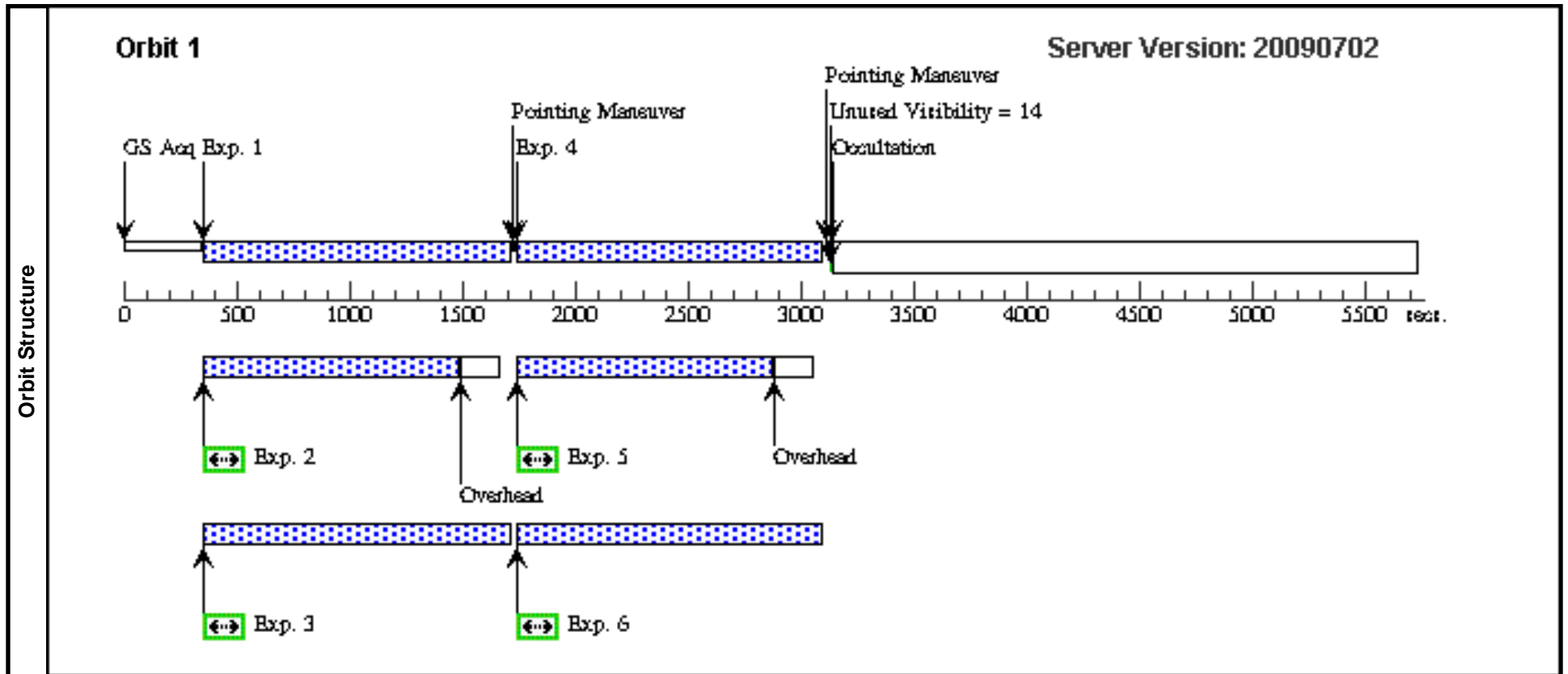


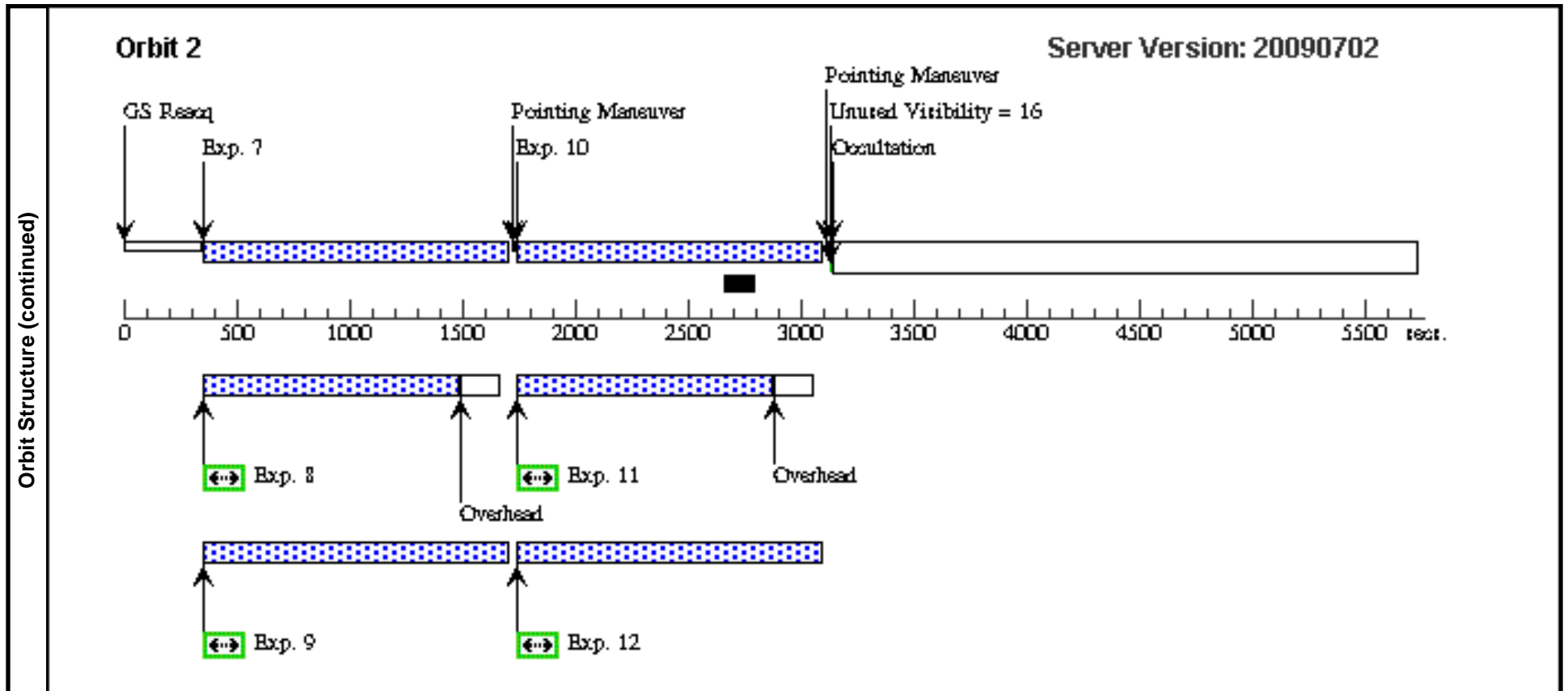


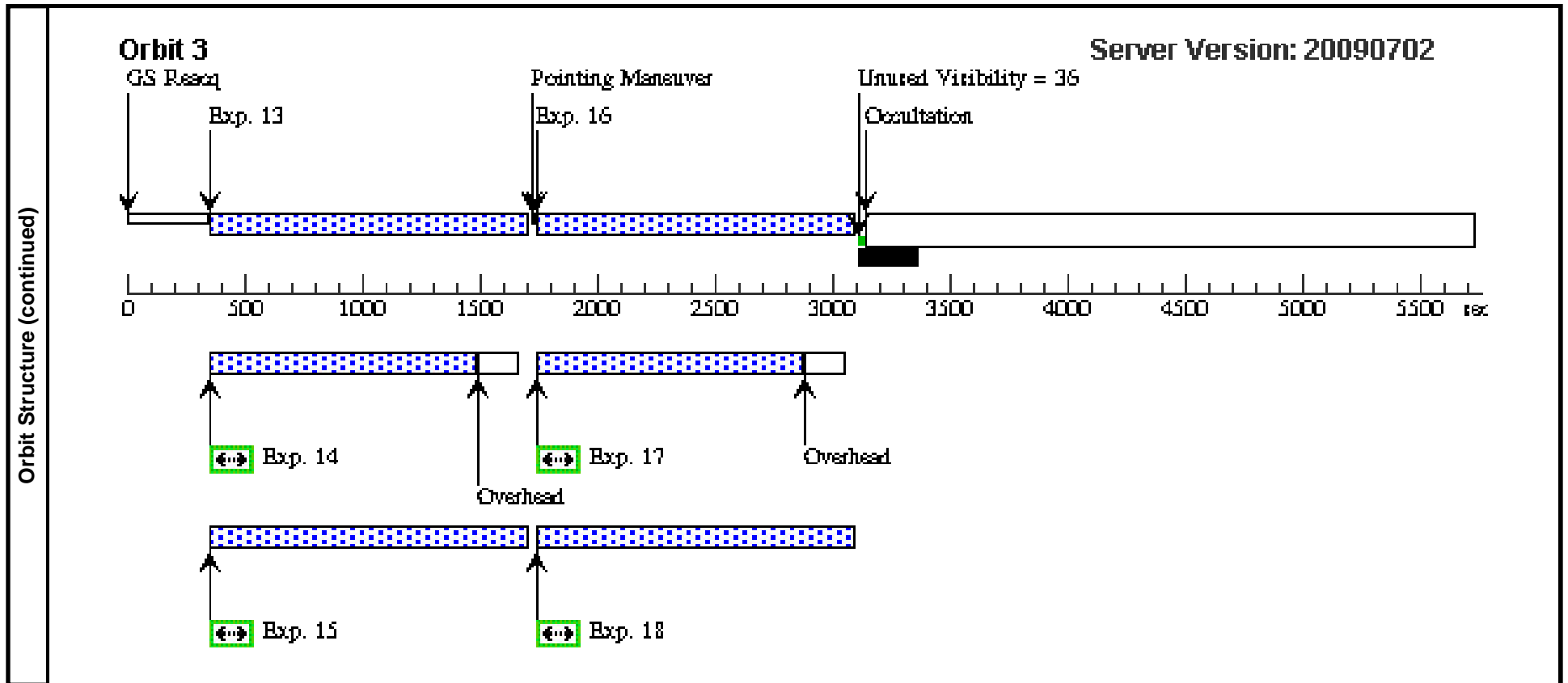
Visit	<b>Proposal 11144, Visit 20, completed</b> <b>Diagnostic Status: No Diagnostics</b> Scientific Instruments: ACS/SBC, WFPC2, NIC3 Special Requirements: ORIENT 200.0D TO 225.0 D; ORIENT 290.0D TO 315.0 D; ORIENT 20.0D TO 45.0 D; ORIENT 110.0D TO 135.0 D									
	Fixed Targets	#	Name	Target Coordinates	Targ. Coord. Corrections	Fluxes	Miscellaneous			
	(11)	HUDFCAND2	RA: 03 32 42.1500 (53.1756250d) Dec: -27 47 20.07 (-27.78891d) Equinox: J2000			V=25	Reference Frame: ICRS			
	<i>Comments: UDF-1</i>									
Exposures	#	Label	Target	Config,Mode,Aperture	Spectral Els.	Opt. Params.	Special Reqs.	Groups	Exp. Time/[Actual Dur.]	Orbit
	1	(11) HUDFCAND2	NIC3, MULTIACCUM, NIC3	F110W	SAMP-SEQ=SPARS 64; NSAMP=23	POS TARG 0.0,-0.4 06	Prime + Parallel Group 1-3	[==>]	[1]	
	2	ANY	WFPC2, IMAGE, WF3-FIX	F300W	CR-SPLIT=NO		Prime + Parallel Group 1-3	1000.0 Secs [==>1000.0 Secs ]	[1]	
	3	ANY	ACS/SBC, ACCUM, SBC	F150LP			Prime + Parallel Group 1-3	1250.0 Secs [==>1290.0 Secs ]	[1]	
	4	(11) HUDFCAND2	NIC3, MULTIACCUM, NIC3	F110W	SAMP-SEQ=SPARS 64; NSAMP=23	POS TARG 0.753,-0 .102	Prime + Parallel Group 4-6	[==>]	[1]	
	5	ANY	WFPC2, IMAGE, WF3-FIX	F300W	CR-SPLIT=NO		Prime + Parallel Group 4-6	1000.0 Secs [==>1000.0 Secs ]	[1]	
	6	ANY	ACS/SBC, ACCUM, SBC	F150LP			Prime + Parallel Group 4-6	1250.0 Secs [==>1329.0 Secs ]	[1]	
	7	(11) HUDFCAND2	NIC3, MULTIACCUM, NIC3	F110W	SAMP-SEQ=SPARS 64; NSAMP=23	POS TARG 0.44870 000000000004,0.651	Prime + Parallel Group 7-9	[==>]	[2]	
	8	ANY	WFPC2, IMAGE, WF3-FIX	F300W	CR-SPLIT=NO		Prime + Parallel Group 7-9	1000.0 Secs [==>1000.0 Secs ]	[2]	
	9	ANY	ACS/SBC, ACCUM, SBC	F150LP			Prime + Parallel Group 7-9	1250.0 Secs [==>1329.0 Secs ]	[2]	
	10	(11) HUDFCAND2	NIC3, MULTIACCUM, NIC3	F110W	SAMP-SEQ=SPARS 64; NSAMP=23	POS TARG -0.3042, 0.3469	Prime + Parallel Group 10-12	[==>]	[2]	
	11	ANY	WFPC2, IMAGE, WF3-FIX	F300W	CR-SPLIT=NO		Prime + Parallel Group 10-12	1000.0 Secs [==>1000.0 Secs ]	[2]	
12	ANY	ACS/SBC, ACCUM, SBC	F150LP			Prime + Parallel Group 10-12	1250.0 Secs [==>1329.0 Secs ]	[2]		

Proposal 11144 - Visit 20 - Building on the Significant NICMOS Investment in GOODS: A Bright, Wide-Area Search for z>...

Exposures (continued)	#	Label	Target	Config,Mode,Aperture	Spectral Els.	Opt. Params.	Special Reqs.	Groups	Exp. Time/[Actual Dur.]	Orbit
	13		(11) HUDFCAND2	NIC3, MULTIACCUM, NIC3	F110W	SAMP-SEQ=SPARS 64; NSAMP=23	POS TARG -1.057,0 .0427	Prime + Parallel Gro up 13-15	[==>]	[3]
	14		ANY	WFPC2, IMAGE, WF3-FIX	F300W	CR-SPLIT=NO		Prime + Parallel Gro up 13-15	1000.0 Secs [==>1000.0 Secs ]	[3]
	15		ANY	ACS/SBC, ACCUM, SBC	F150LP			Prime + Parallel Gro up 13-15	1250.0 Secs [==>1329.0 Secs ]	[3]
	16		(11) HUDFCAND2	NIC3, MULTIACCUM, NIC3	F110W	SAMP-SEQ=SPARS 64; NSAMP=23	POS TARG -0.7529, -0.7102	Prime + Parallel Gro up 16-18	[==>]	[3]
	17		ANY	WFPC2, IMAGE, WF3-FIX	F300W	CR-SPLIT=NO		Prime + Parallel Gro up 16-18	1000.0 Secs [==>1000.0 Secs ]	[3]
	18		ANY	ACS/SBC, ACCUM, SBC	F150LP			Prime + Parallel Gro up 16-18	1250.0 Secs [==>1329.0 Secs ]	[3]

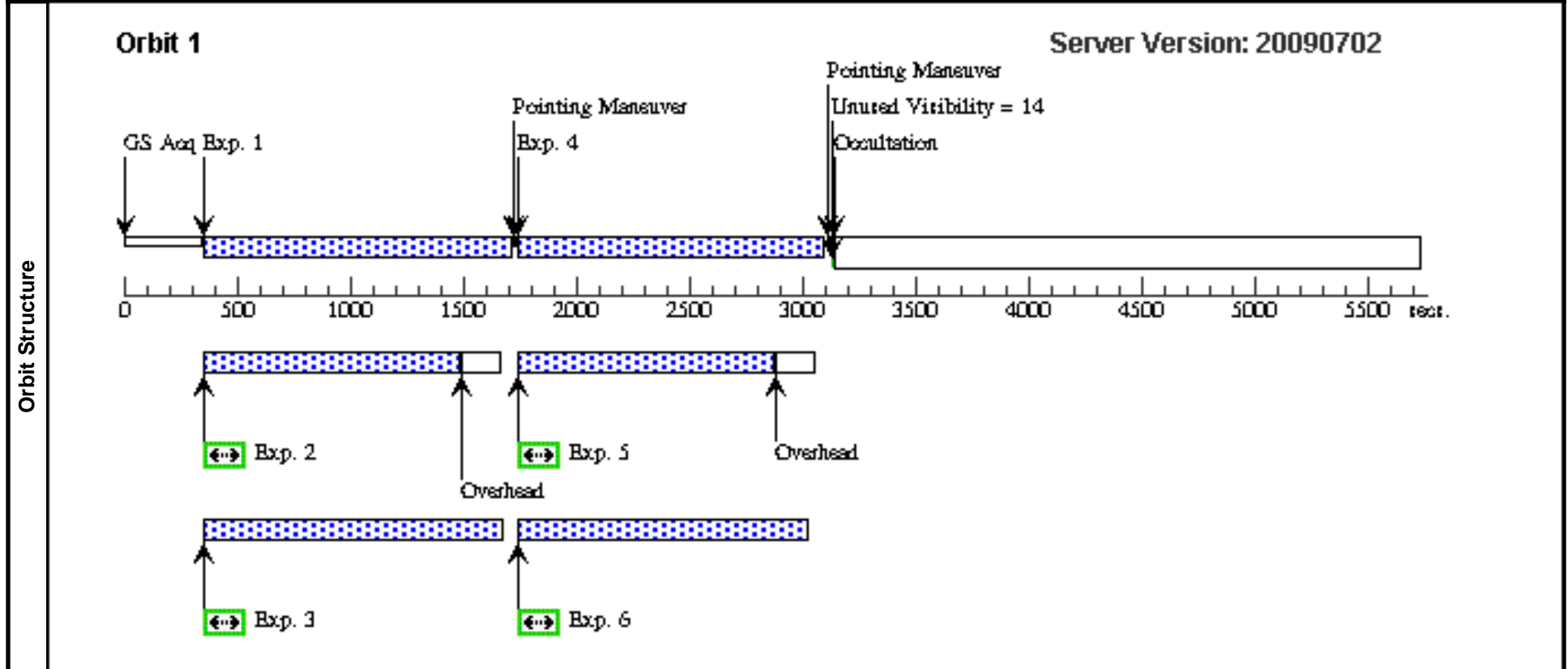


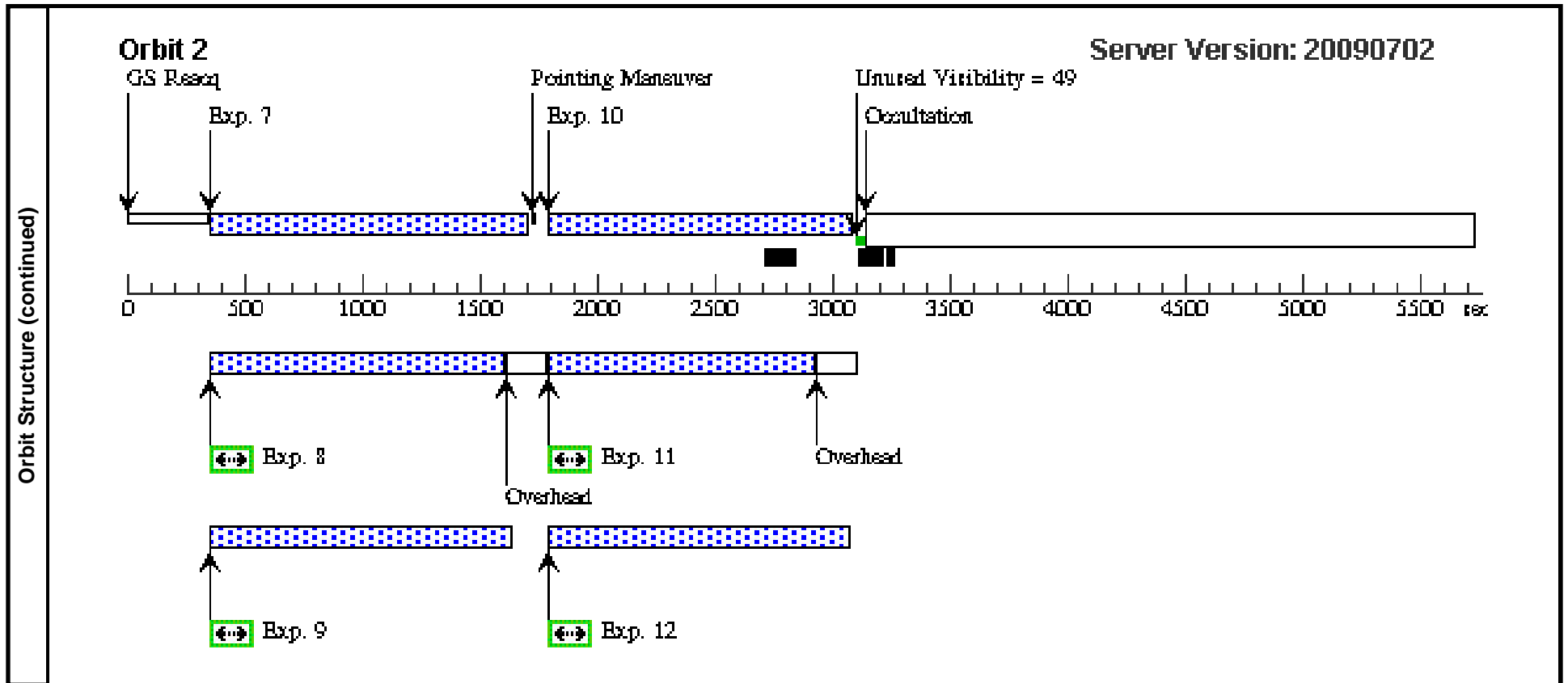




<b>Visit</b>	<b>Proposal 11144, Visit 21, completed</b> <b>Diagnostic Status: Warning</b> Scientific Instruments: ACS/SBC, WFPC2, NIC3 Special Requirements: ORIENT 290.0D TO 320.0 D; ORIENT 20.0D TO 50.0 D; ORIENT 110.0D TO 140.0 D; ORIENT 200.0D TO 230.0 D									
	(Visit 21) Warning (Orbit Planner): PARALLELS SIGNIFICANTLY EXTEND ALIGNMENT TIME									
<b>Diagnosics</b>										
<b>Fixed Targets</b>	<b>#</b>	<b>Name</b>	<b>Target Coordinates</b>	<b>Targ. Coord. Corrections</b>	<b>Fluxes</b>	<b>Miscellaneous</b>				
	(21)	GOODS-S10	RA: 03 32 29.3000 (53.1220833d) Dec: -27 48 17.00 (-27.80472d) Equinox: J2000		V=25	Reference Frame: ICRS				
<i>Comments: Same as GOODS-S14 (from 11082)</i>										
<b>Exposures</b>	<b>#</b>	<b>Label</b>	<b>Target</b>	<b>Config,Mode,Aperture</b>	<b>Spectral Els.</b>	<b>Opt. Params.</b>	<b>Special Reqs.</b>	<b>Groups</b>	<b>Exp. Time/[Actual Dur.]</b>	<b>Orbit</b>
	1		(21) GOODS-S10	NIC3, MULTIACCUM, NIC3	F110W	SAMP-SEQ=SPARS 64; NSAMP=23	POS TARG 0.0,-0.4 06	Prime + Parallel Gro up 1-3	[==>]	[1]
	2		ANY	WFPC2, IMAGE, WF3-FIX	F300W	CR-SPLIT=NO		Prime + Parallel Gro up 1-3	1000.0 Secs [==>]	[1]
	3		ANY	ACS/SBC, ACCUM, SBC	F150LP			Prime + Parallel Gro up 1-3	1250.0 Secs [==>]	[1]
	4		(21) GOODS-S10	NIC3, MULTIACCUM, NIC3	F110W	SAMP-SEQ=SPARS 64; NSAMP=23	POS TARG 0.44870 000000000004,0.651	Prime + Parallel Gro up 4-6	[==>]	[1]
	5		ANY	WFPC2, IMAGE, WF3-FIX	F300W	CR-SPLIT=NO		Prime + Parallel Gro up 4-6	1000.0 Secs [==>]	[1]
	6		ANY	ACS/SBC, ACCUM, SBC	F150LP			Prime + Parallel Gro up 4-6	1250.0 Secs [==>]	[1]
	7		(21) GOODS-S10	NIC3, MULTIACCUM, NIC3	F110W	SAMP-SEQ=SPARS 64; NSAMP=23	POS TARG -0.3042, 0.3469	Prime + Parallel Gro up 7-9	[==>]	[2]
	8		ANY	WFPC2, IMAGE, WF3-FIX	F300W	CR-SPLIT=NO		Prime + Parallel Gro up 7-9	1100.0 Secs [==>]	[2]
	9		ANY	ACS/SBC, ACCUM, SBC	F150LP			Prime + Parallel Gro up 7-9	1250.0 Secs [==>]	[2]
10		(21) GOODS-S10	NIC3, MULTIACCUM, NIC3	F110W	SAMP-SEQ=SPARS 64; NSAMP=22	POS TARG 0.753,-0 .102	Prime + Parallel Gro up 10-12	[==>]	[2]	

Exposures (continued)	#	Label	Target	Config, Mode, Aperture	Spectral Els.	Opt. Params.	Special Reqs.	Groups	Exp. Time/[Actual Dur.]	Orbit
		11		ANY	WFPC2, IMAGE, WF3-FIX	F300W	CR-SPLIT=NO		Prime + Parallel Group 10-12	1000.0 Secs [==>]
	12		ANY	ACS/SBC, ACCUM, SBC	F150LP			Prime + Parallel Group 10-12	1250.0 Secs [==>]	[2]

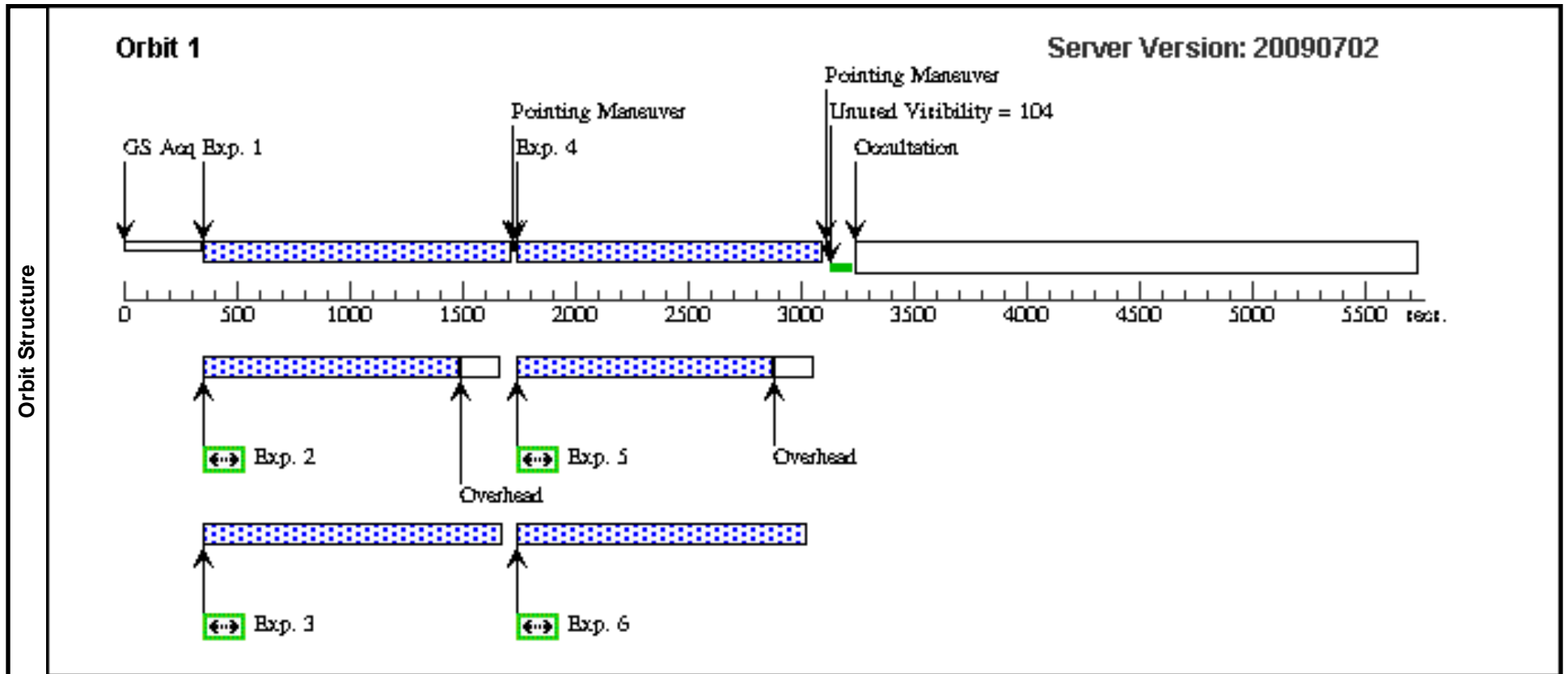


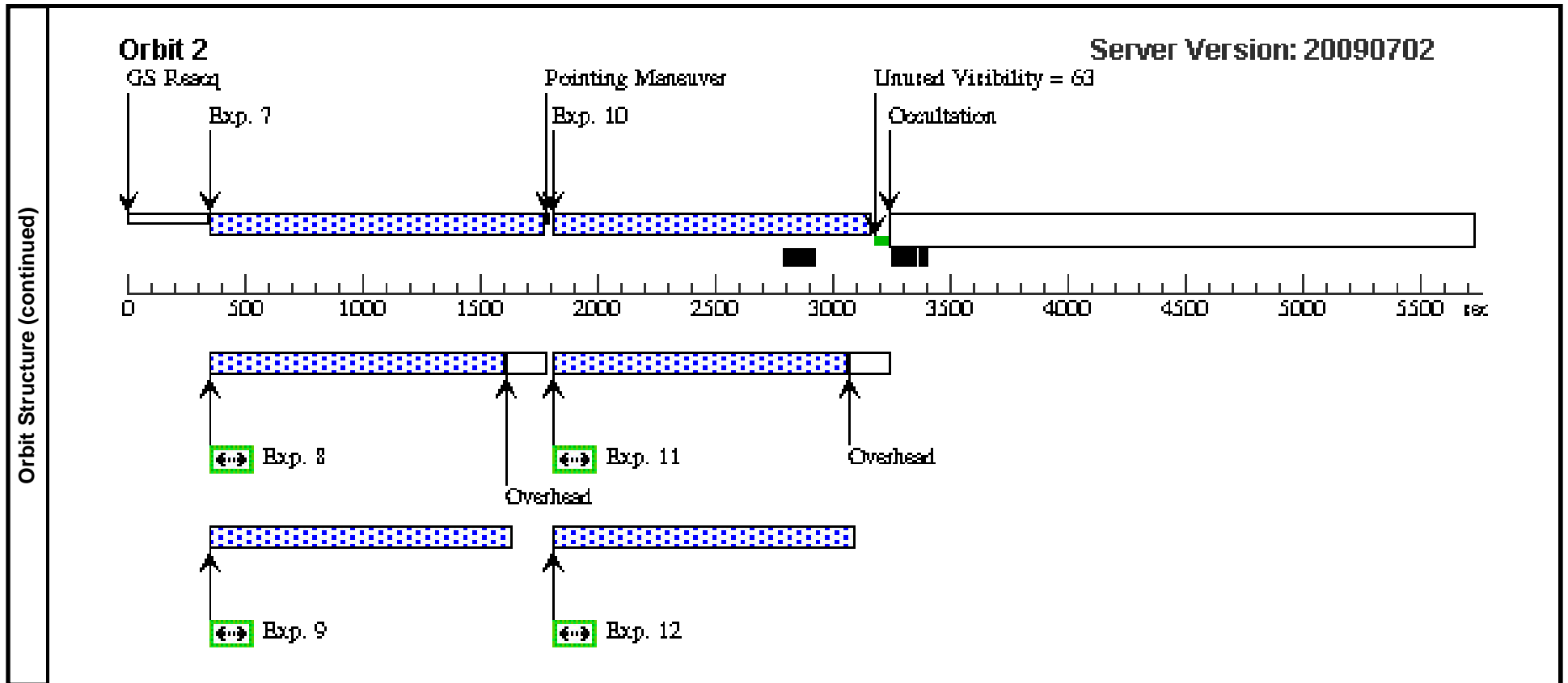


Proposal 11144 - Visit 22 - Building on the Significant NICMOS Investment in GOODS: A Bright, Wide-Area Search for z>...

Thu Sep 24 01:05:16 GMT 2009

Visit	<b>Proposal 11144, Visit 22, completed</b> <b>Diagnostic Status: No Diagnostics</b> Scientific Instruments: ACS/SBC, WFPC2, NIC3 Special Requirements: ORIENT 300.0D TO 310.0 D; ORIENT 210.0D TO 220.0 D; ORIENT 30.0D TO 40.0 D; ORIENT 120.0D TO 130.0 D									
	Fixed Targets	#	Name	Target Coordinates	Targ. Coord. Corrections	Fluxes	Miscellaneous			
	(22)	GOODS-N8	RA: 12 37 37.1000 (189.4045833d) Dec: +62 20 48.00 (62.34667d) Equinox: J2000			V=25	Reference Frame: ICRS	<i>Comments: Same as GOODS-S14 (from 11082)</i>		
Exposures	#	Label	Target	Config,Mode,Aperture	Spectral Els.	Opt. Params.	Special Reqs.	Groups	Exp. Time/[Actual Dur.]	Orbit
	1		(22) GOODS-N8	NIC3, MULTIACCUM, NIC3	F110W	SAMP-SEQ=SPARS 64; NSAMP=23	POS TARG 0.0,-0.8 06	Prime + Parallel Group 1-3	[==>]	[1]
	2		ANY	WFPC2, IMAGE, WF3-FIX	F300W	CR-SPLIT=NO		Prime + Parallel Group 1-3	1000.0 Secs [==>]	[1]
	3		ANY	ACS/SBC, ACCUM, SBC	F150LP			Prime + Parallel Group 1-3	1250.0 Secs [==>]	[1]
	4		(22) GOODS-N8	NIC3, MULTIACCUM, NIC3	F110W	SAMP-SEQ=SPARS 64; NSAMP=23	POS TARG 0.8487,1 .251	Prime + Parallel Group 4-6	[==>]	[1]
	5		ANY	WFPC2, IMAGE, WF3-FIX	F300W	CR-SPLIT=NO		Prime + Parallel Group 4-6	1000.0 Secs [==>]	[1]
	6		ANY	ACS/SBC, ACCUM, SBC	F150LP			Prime + Parallel Group 4-6	1250.0 Secs [==>]	[1]
	7		(22) GOODS-N8	NIC3, MULTIACCUM, NIC3	F110W	SAMP-SEQ=SPARS 64; NSAMP=24	POS TARG -0.6042, 0.6469	Prime + Parallel Group 7-9	[==>]	[2]
	8		ANY	WFPC2, IMAGE, WF3-FIX	F300W	CR-SPLIT=NO		Prime + Parallel Group 7-9	1100.0 Secs [==>]	[2]
	9		ANY	ACS/SBC, ACCUM, SBC	F150LP			Prime + Parallel Group 7-9	1250.0 Secs [==>]	[2]
	10		(22) GOODS-N8	NIC3, MULTIACCUM, NIC3	F110W	SAMP-SEQ=SPARS 64; NSAMP=23	POS TARG 1.453,-0 .202	Prime + Parallel Group 10-12	[==>]	[2]
	11		ANY	WFPC2, IMAGE, WF3-FIX	F300W	CR-SPLIT=NO		Prime + Parallel Group 10-12	1100.0 Secs [==>]	[2]
12		ANY	ACS/SBC, ACCUM, SBC	F150LP			Prime + Parallel Group 10-12	1250.0 Secs [==>]	[2]	





<b>Visit</b>	<b>Proposal 11144, Visit 23, implementation</b> <b>Diagnostic Status: Warning</b> Scientific Instruments: WFC3/IR, ACS/WFC Special Requirements: GYRO MODE 3GOBAD									
	(Visit 23) Warning (Form): Gyro Mode overrides default value of 2G.									
<b>Diagnosics</b>										
<b>Fixed Targets</b>	<b>#</b>	<b>Name</b>	<b>Target Coordinates</b>	<b>Targ. Coord. Corrections</b>	<b>Fluxes</b>	<b>Miscellaneous</b>				
	(23)	GOODS-S2-WFC3-FOLLOW-UP	RA: 03 32 6.7500 (53.0281250d) Dec: -27 47 7.00 (-27.78528d) Equinox: J2000		V=25	Reference Frame: ICRS				
<b>Exposures</b>	<b>#</b>	<b>Label</b>	<b>Target</b>	<b>Config,Mode,Aperture</b>	<b>Spectral Els.</b>	<b>Opt. Params.</b>	<b>Special Reqs.</b>	<b>Groups</b>	<b>Exp. Time/[Actual Dur.]</b>	<b>Orbit</b>
	1		(23) GOODS-S2-WF C3-FOLLOW-UP	WFC3/IR, MULTIACCUM, IR-FIX	F125W	NSAMP=7; SAMP-SEQ=SPAR S100	POS TARG 0.0,0.0	Prime + Parallel Group 1-2	[==>]	[1]
	2	ANY		ACS/WFC, ACCUM, WFC	F850LP			Prime + Parallel Group 1-2	500.0 Secs [==>425.0 Secs ]	[1]
	3		(23) GOODS-S2-WF C3-FOLLOW-UP	WFC3/IR, MULTIACCUM, IR-FIX	F125W	NSAMP=7; SAMP-SEQ=SPAR S100	POS TARG 0.542,0.182	Prime + Parallel Group 3-4	[==>]	[1]
	4	ANY		ACS/WFC, ACCUM, WFC	F850LP			Prime + Parallel Group 3-4	500.0 Secs [==>507.0 Secs ]	[1]
	5		(23) GOODS-S2-WF C3-FOLLOW-UP	WFC3/IR, MULTIACCUM, IR-FIX	F125W	NSAMP=7; SAMP-SEQ=SPAR S100	POS TARG 0.338,0.484	Prime + Parallel Group 5-6	[==>]	[1]
	6	ANY		ACS/WFC, ACCUM, WFC	F850LP			Prime + Parallel Group 5-6	500.0 Secs [==>507.0 Secs ]	[1]
	7		(23) GOODS-S2-WF C3-FOLLOW-UP	WFC3/IR, MULTIACCUM, IR-FIX	F125W	NSAMP=8; SAMP-SEQ=SPAR S100	POS TARG -0.204,0.303	Prime + Parallel Group 7-8	[==>]	[1]
	8	ANY		ACS/WFC, ACCUM, WFC	F850LP			Prime + Parallel Group 7-8	500.0 Secs [==>607.0 Secs ]	[1]

