



11161 - Revealing the Explosion Geometry of Nearby GRB-SNe

Cycle: 16, Proposal Category: GO

(Availability Mode: SUPPORTED)

INVESTIGATORS

<i>Name</i>	<i>Institution</i>	<i>E-Mail</i>
Ms. Alicia M. Soderberg (PI)	California Institute of Technology	ams@astro.caltech.edu
Prof. Shrinivas R. Kulkarni (CoI)	California Institute of Technology	srk@astro.caltech.edu
Mr. Bradley S. Cenko (CoI)	California Institute of Technology	cenko@srl.caltech.edu
Dr. Derek B. Fox (CoI)	The Pennsylvania State University	dfox@astro.psu.edu
Dr. Edo Berger (CoI)	Carnegie Institution of Washington	eberger@ociw.edu
Dr. Avishay Gal-Yam (CoI)	California Institute of Technology	avishay@astro.caltech.edu
Dr. Fiona A. Harrison (CoI)	California Institute of Technology	fiona@srl.caltech.edu
Dr. Dale A. Frail (CoI)	Associated Universities, Inc.	dfrail@nrao.edu
Dr. Paul Price (CoI)	University of Hawaii	price@ifa.hawaii.edu
Dr. Ehud Nakar (CoI)	California Institute of Technology	udini@tapir.caltech.edu
Prof. Bryan E. Penprase (CoI)	Pomona College	bpenprase@pomona.edu
Dr. S. Eric Persson (CoI)	Carnegie Institution of Washington	persson@ociw.edu
Dr. Patrick J. McCarthy (CoI)	Carnegie Institution of Washington	pmc2@ociw.edu
Dr. Roger A. Chevalier (CoI)	The University of Virginia	rac5x@virginia.edu
Dr. Brian Schmidt (CoI)	Australian National University	brian@mso.anu.edu.au
Dr. Arne Rau (CoI) (ESA Member)	Max-Planck-Institut für extraterrestrische Physik	arau@mpe.mpg.de
Dr. Eran O. Ofek (CoI)	Tel Aviv University - Wise Observatory	eran@wise.tau.ac.il
Ms. Mansi Kasliwal (CoI)	California Institute of Technology	mansi@astro.caltech.edu

VISITS

<i>Visit</i>	<i>Targets used in Visit</i>	<i>Configurations used in Visit</i>	<i>Orbits Used</i>	<i>Last Orbit Planner Run</i>	<i>OP Current with Visit?</i>
01	(1) GRB-1	WFPC2	1	19-Sep-2008 21:01:33.0	yes
02	(1) GRB-1	WFPC2	1	19-Sep-2008 21:01:38.0	yes
03	(1) GRB-1	WFPC2	2	19-Sep-2008 21:01:43.0	yes
04	(1) GRB-1	WFPC2	3	19-Sep-2008 21:01:49.0	yes
05	(1) GRB-1	WFPC2	3	19-Sep-2008 21:01:56.0	yes
06	(2) GRB-2	WFPC2	1	19-Sep-2008 21:02:01.0	yes
07	(2) GRB-2	WFPC2	1	19-Sep-2008 21:02:03.0	yes
08	(2) GRB-2	WFPC2	2	19-Sep-2008 21:02:07.0	yes
09	(2) GRB-2	WFPC2	3	19-Sep-2008 21:02:13.0	yes
10	(2) GRB-2	WFPC2	3	19-Sep-2008 21:02:19.0	yes
11	(3) SN2008D	WFPC2	2	19-Sep-2008 21:02:26.0	yes
12	(3) SN2008D	WFPC2	2	19-Sep-2008 21:02:35.0	yes
14	(3) SN2008D	WFPC2	3	19-Sep-2008 21:02:40.0	yes
15	(3) SN2008D	WFPC2	3	19-Sep-2008 21:02:46.0	yes

30 Total Orbits Used

ABSTRACT

The connection between gamma-ray bursts and Type Ibc supernovae is well-established in broad terms. However, our recent identification of an intermediate class of sub-energetic GRBs, and the overall overlap in Nickel production between GRB-SNe and ordinary SNe Ibc suggest that the properties leading to the production of a relativistic engine are yet to be uncovered. A fundamental difference between the two classes of explosions may be imprinted in the overall geometry of the explosion. The relativistic component of GRBs is known to be highly collimated, but it is unclear if the SN blast is spherical or mildly collimated as well. Here we propose HST observations of the late (>30 days) decay tails of two GRB-SNe as an

independent measure of the Nickel mass synthesized in the explosion. A comparison to the Nickel mass inferred from the peak brightness of the SNe will provide a direct measure of the explosion asymmetry, since at late time the explosion is essentially spherical. These observations will form the core of a multi-wavelength (optical, X-ray, radio) effort to fully characterize all aspects of the explosions, from the energy and geometry of the relativistic material (VLA, Chandra) to the early SN evolution (Keck, Magellan). The proposed observations require two slow-response (>30 days) TOOs, ideally suited to the 2-gyro operations of HST.

OBSERVING DESCRIPTION

We will undertake HST/WFPC2 observations of the late-time ($t=40-200$ days) decay tails of two nearby ($z<0.3$) GRB-SNe as an independent measure of the Nickel mass synthesized in the explosion. We plan to visit the GRB-SNe at five epochs. The first four will be linearly spaced, taking place at roughly 40, 90, 140, and 200 days post-burst while the final epoch will take place at about 300 days to ensure a SN-free template image for host galaxy subtraction. All observations will be done with the F606W filter. The required orbits for each GRB-SN target are as follows: epoch 1 (1 orbit), epoch 2 (1 orbit), epoch 3 (2 orbits), epoch 4 (3 orbits), epoch 5 (3 orbits).

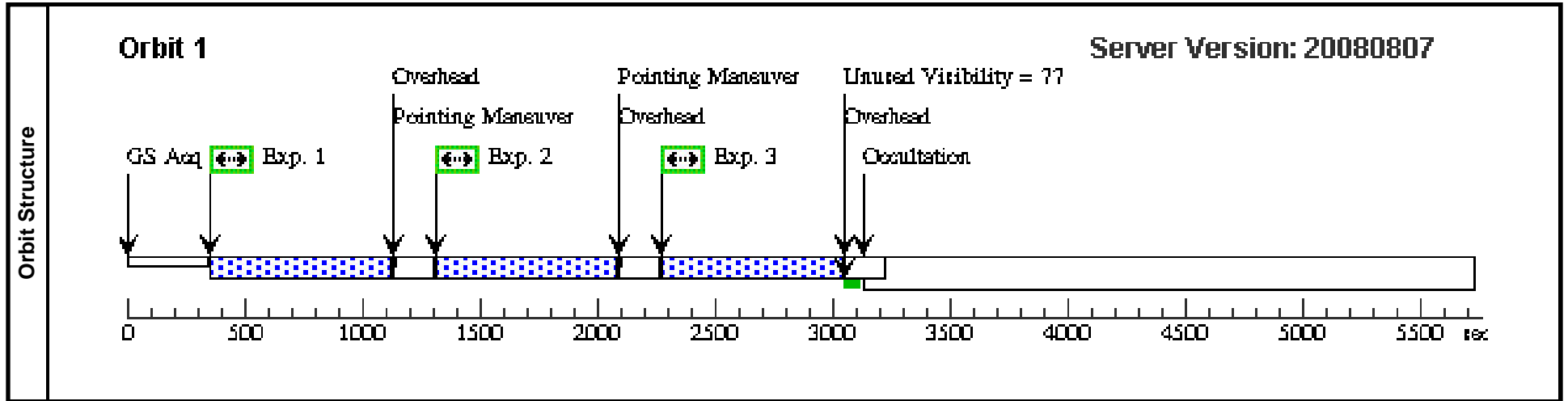
REAL TIME JUSTIFICATION

This program is carried out as a slow-response ToO with 2 activations (one per GRB-SN) where each activation is accompanied by 4 follow-up observations.

Proposal 11161 - Visit 01 - Revealing the Explosion Geometry of Nearby GRB-SNe

Sat Sep 20 01:02:51 GMT 2008

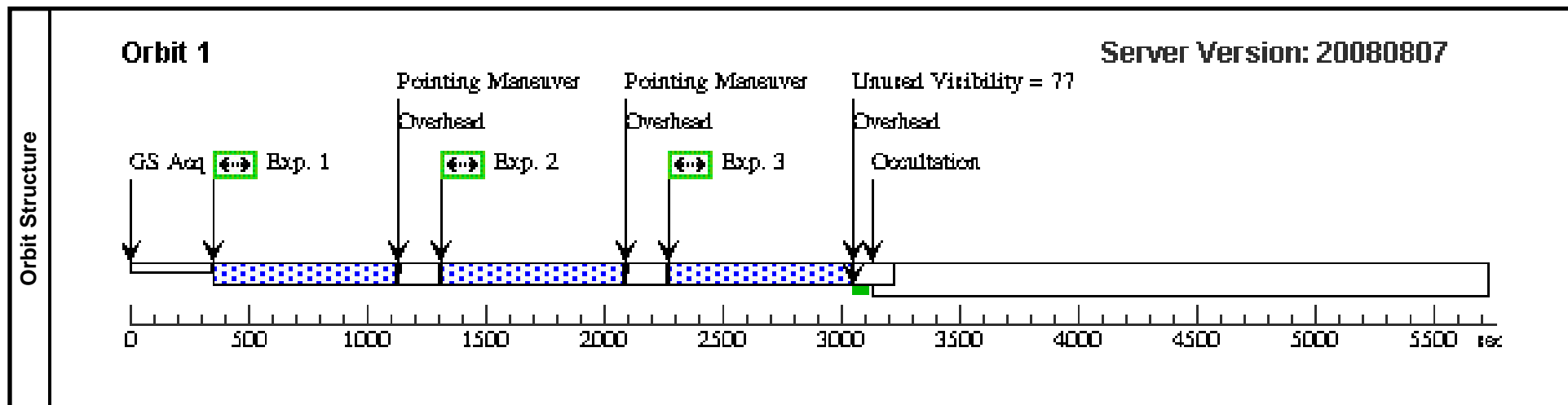
Visit	Proposal 11161, Visit 01, implementation Diagnostic Status: Error Scientific Instruments: WFPC2 Special Requirements: (none) <i>Comments: The is the first epoch for GRB-SN 1</i>																																																																															
	Diagnostics	(exp-1 (01.001)) Error (Form): Illegal use of Generic Target or ANY target. See full description for details																																																																														
(exp-2 (01.002)) Error (Form): Illegal use of Generic Target or ANY target. See full description for details																																																																																
(exp-3 (01.003)) Error (Form): Illegal use of Generic Target or ANY target. See full description for details																																																																																
(Visit 01) Warning (Orbit Planner): EXPOSURE TIME DECREASED FOR WFPC																																																																																
Generic Targets	(Visit 01) Warning (Orbit Planner): EXPOSURE TIME DECREASED FOR WFPC																																																																															
	(Visit 01) Warning (Orbit Planner): EXPOSURE TIME DECREASED FOR WFPC																																																																															
	(Visit 01) Warning (Orbit Planner): EXPOSURE TIME DECREASED FOR WFPC																																																																															
	<table border="1"> <thead> <tr> <th>#</th> <th>Name</th> <th>Criteria</th> <th>Description</th> </tr> </thead> <tbody> <tr> <td>(1)</td> <td>GRB-1</td> <td>GRB-SN at $z < 0.3$</td> <td>GAMMA RAY BURSTER</td> </tr> </tbody> </table>										#	Name	Criteria	Description	(1)	GRB-1	GRB-SN at $z < 0.3$	GAMMA RAY BURSTER																																																														
#	Name	Criteria	Description																																																																													
(1)	GRB-1	GRB-SN at $z < 0.3$	GAMMA RAY BURSTER																																																																													
Exposures	<table border="1"> <thead> <tr> <th>#</th> <th>Label</th> <th>Target</th> <th>Config,Mode,Aperture</th> <th>Spectral Els.</th> <th>Opt. Params.</th> <th>Special Reqs.</th> <th>Groups</th> <th>Exp. Time/[Actual Dur.]</th> <th>Orbit</th> </tr> </thead> <tbody> <tr> <td>1</td> <td>exp-1</td> <td>(1) GRB-1</td> <td>WFPC2, IMAGE, WF3</td> <td>F606W</td> <td>CR-SPLIT=NO</td> <td></td> <td></td> <td>633.0 Secs</td> <td></td> </tr> <tr> <td></td> <td></td> <td></td> <td></td> <td></td> <td></td> <td></td> <td></td> <td>[==>]</td> <td>[1]</td> </tr> <tr> <td>2</td> <td>exp-2</td> <td>(1) GRB-1</td> <td>WFPC2, IMAGE, WF3</td> <td>F606W</td> <td>CR-SPLIT=NO</td> <td>POS TARG 1.03,0.0</td> <td></td> <td>633.0 Secs</td> <td></td> </tr> <tr> <td></td> <td></td> <td></td> <td></td> <td></td> <td></td> <td></td> <td></td> <td>[==>]</td> <td>[1]</td> </tr> <tr> <td>3</td> <td>exp-3</td> <td>(1) GRB-1</td> <td>WFPC2, IMAGE, WF3</td> <td>F606W</td> <td>CR-SPLIT=NO</td> <td>POS TARG 1.03,-1.03</td> <td></td> <td>633.0 Secs</td> <td></td> </tr> <tr> <td></td> <td></td> <td></td> <td></td> <td></td> <td></td> <td></td> <td></td> <td>[==>]</td> <td>[1]</td> </tr> </tbody> </table>										#	Label	Target	Config,Mode,Aperture	Spectral Els.	Opt. Params.	Special Reqs.	Groups	Exp. Time/[Actual Dur.]	Orbit	1	exp-1	(1) GRB-1	WFPC2, IMAGE, WF3	F606W	CR-SPLIT=NO			633.0 Secs										[==>]	[1]	2	exp-2	(1) GRB-1	WFPC2, IMAGE, WF3	F606W	CR-SPLIT=NO	POS TARG 1.03,0.0		633.0 Secs										[==>]	[1]	3	exp-3	(1) GRB-1	WFPC2, IMAGE, WF3	F606W	CR-SPLIT=NO	POS TARG 1.03,-1.03		633.0 Secs										[==>]	[1]
	#	Label	Target	Config,Mode,Aperture	Spectral Els.	Opt. Params.	Special Reqs.	Groups	Exp. Time/[Actual Dur.]	Orbit																																																																						
	1	exp-1	(1) GRB-1	WFPC2, IMAGE, WF3	F606W	CR-SPLIT=NO			633.0 Secs																																																																							
									[==>]	[1]																																																																						
	2	exp-2	(1) GRB-1	WFPC2, IMAGE, WF3	F606W	CR-SPLIT=NO	POS TARG 1.03,0.0		633.0 Secs																																																																							
									[==>]	[1]																																																																						
3	exp-3	(1) GRB-1	WFPC2, IMAGE, WF3	F606W	CR-SPLIT=NO	POS TARG 1.03,-1.03		633.0 Secs																																																																								
								[==>]	[1]																																																																							



Proposal 11161 - Visit 02 - Revealing the Explosion Geometry of Nearby GRB-SNe

Sat Sep 20 01:02:52 GMT 2008

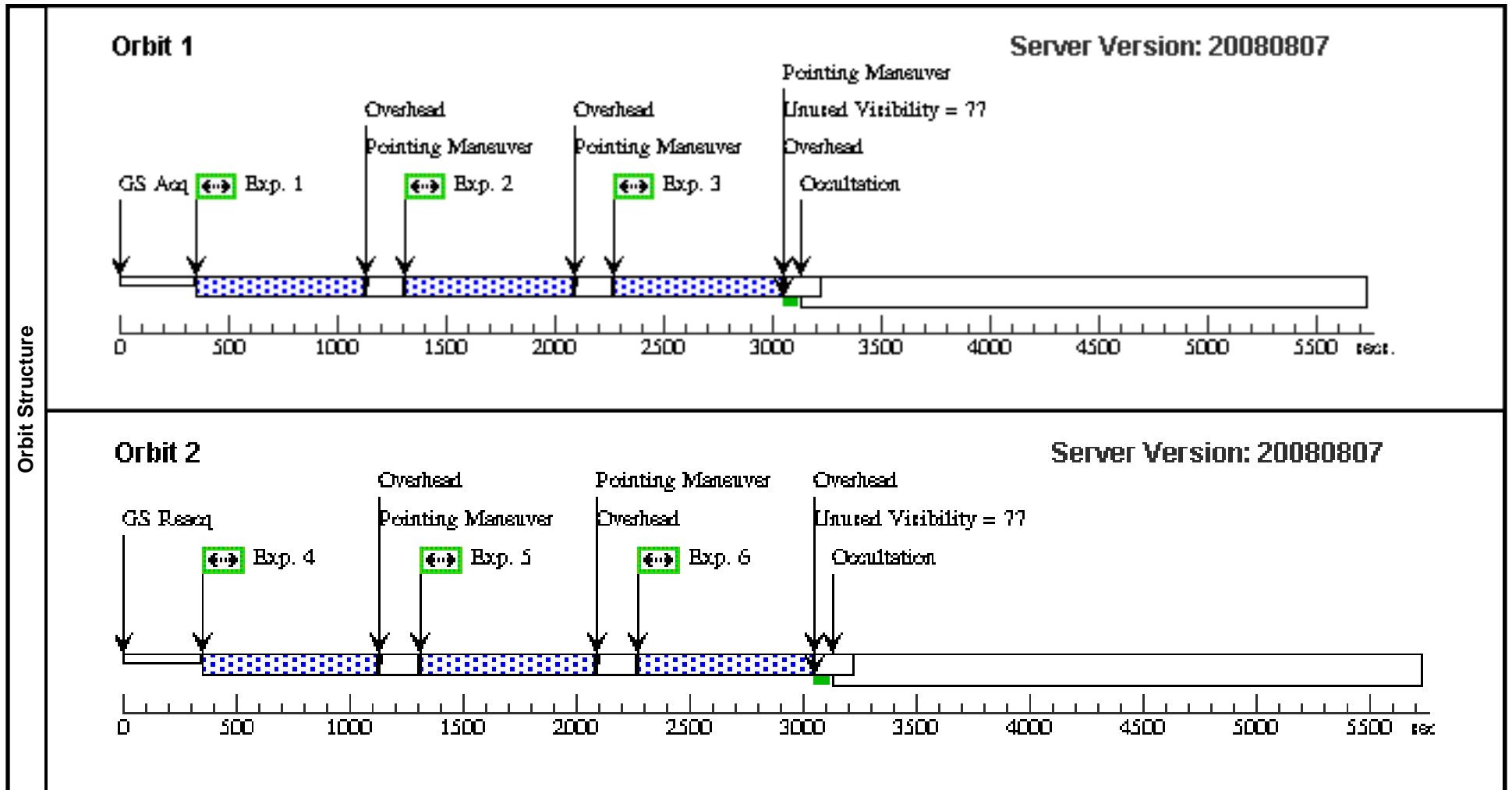
Visit	Proposal 11161, Visit 02, implementation Diagnostic Status: Error Scientific Instruments: WFPC2 Special Requirements: AFTER 01 BY 40.0 D TO 60.0 D <i>Comments: The is the second epoch for GRB-SN 1</i>																																																																															
	Diagnostics	(exp-1 (02.001)) Error (Form): Illegal use of Generic Target or ANY target. See full description for details																																																																														
(exp-2 (02.002)) Error (Form): Illegal use of Generic Target or ANY target. See full description for details																																																																																
(exp-3 (02.003)) Error (Form): Illegal use of Generic Target or ANY target. See full description for details																																																																																
(Visit 02) Warning (Orbit Planner): EXPOSURE TIME DECREASED FOR WFPC																																																																																
Generic Targets	(Visit 02) Warning (Orbit Planner): EXPOSURE TIME DECREASED FOR WFPC																																																																															
	(Visit 02) Warning (Orbit Planner): EXPOSURE TIME DECREASED FOR WFPC																																																																															
	(Visit 02) Warning (Orbit Planner): EXPOSURE TIME DECREASED FOR WFPC																																																																															
	<table border="1"> <thead> <tr> <th>#</th> <th>Name</th> <th>Criteria</th> <th>Description</th> </tr> </thead> <tbody> <tr> <td>(1)</td> <td>GRB-1</td> <td>GRB-SN at z<0.3</td> <td>GAMMA RAY BURSTER</td> </tr> </tbody> </table>										#	Name	Criteria	Description	(1)	GRB-1	GRB-SN at z<0.3	GAMMA RAY BURSTER																																																														
#	Name	Criteria	Description																																																																													
(1)	GRB-1	GRB-SN at z<0.3	GAMMA RAY BURSTER																																																																													
Exposures	<table border="1"> <thead> <tr> <th>#</th> <th>Label</th> <th>Target</th> <th>Config,Mode,Aperture</th> <th>Spectral Els.</th> <th>Opt. Params.</th> <th>Special Reqs.</th> <th>Groups</th> <th>Exp. Time/[Actual Dur.]</th> <th>Orbit</th> </tr> </thead> <tbody> <tr> <td>1</td> <td>exp-1</td> <td>(1) GRB-1</td> <td>WFPC2, IMAGE, WF3</td> <td>F606W</td> <td>CR-SPLIT=NO</td> <td></td> <td></td> <td>633.0 Secs</td> <td></td> </tr> <tr> <td></td> <td></td> <td></td> <td></td> <td></td> <td></td> <td></td> <td></td> <td>[==>]</td> <td>[1]</td> </tr> <tr> <td>2</td> <td>exp-2</td> <td>(1) GRB-1</td> <td>WFPC2, IMAGE, WF3</td> <td>F606W</td> <td>CR-SPLIT=NO</td> <td>POS TARG 1.03,0.0</td> <td></td> <td>633.0 Secs</td> <td></td> </tr> <tr> <td></td> <td></td> <td></td> <td></td> <td></td> <td></td> <td></td> <td></td> <td>[==>]</td> <td>[1]</td> </tr> <tr> <td>3</td> <td>exp-3</td> <td>(1) GRB-1</td> <td>WFPC2, IMAGE, WF3</td> <td>F606W</td> <td>CR-SPLIT=NO</td> <td>POS TARG 1.03,-1.03</td> <td></td> <td>633.0 Secs</td> <td></td> </tr> <tr> <td></td> <td></td> <td></td> <td></td> <td></td> <td></td> <td></td> <td></td> <td>[==>]</td> <td>[1]</td> </tr> </tbody> </table>										#	Label	Target	Config,Mode,Aperture	Spectral Els.	Opt. Params.	Special Reqs.	Groups	Exp. Time/[Actual Dur.]	Orbit	1	exp-1	(1) GRB-1	WFPC2, IMAGE, WF3	F606W	CR-SPLIT=NO			633.0 Secs										[==>]	[1]	2	exp-2	(1) GRB-1	WFPC2, IMAGE, WF3	F606W	CR-SPLIT=NO	POS TARG 1.03,0.0		633.0 Secs										[==>]	[1]	3	exp-3	(1) GRB-1	WFPC2, IMAGE, WF3	F606W	CR-SPLIT=NO	POS TARG 1.03,-1.03		633.0 Secs										[==>]	[1]
	#	Label	Target	Config,Mode,Aperture	Spectral Els.	Opt. Params.	Special Reqs.	Groups	Exp. Time/[Actual Dur.]	Orbit																																																																						
	1	exp-1	(1) GRB-1	WFPC2, IMAGE, WF3	F606W	CR-SPLIT=NO			633.0 Secs																																																																							
									[==>]	[1]																																																																						
	2	exp-2	(1) GRB-1	WFPC2, IMAGE, WF3	F606W	CR-SPLIT=NO	POS TARG 1.03,0.0		633.0 Secs																																																																							
									[==>]	[1]																																																																						
3	exp-3	(1) GRB-1	WFPC2, IMAGE, WF3	F606W	CR-SPLIT=NO	POS TARG 1.03,-1.03		633.0 Secs																																																																								
								[==>]	[1]																																																																							



Proposal 11161 - Visit 03 - Revealing the Explosion Geometry of Nearby GRB-SNe

Sat Sep 20 01:02:53 GMT 2008

Visit	Proposal 11161, Visit 03, implementation Diagnostic Status: Error Scientific Instruments: WFPC2 Special Requirements: AFTER 01 BY 80.0 D TO 120.0 D <i>Comments: The is the third epoch for GRB-SN 1</i>																																																																																
	Diagnostics	(exp-1 (03.001)) Error (Form): Illegal use of Generic Target or ANY target. See full description for details (exp-2 (03.002)) Error (Form): Illegal use of Generic Target or ANY target. See full description for details (exp-3 (03.003)) Error (Form): Illegal use of Generic Target or ANY target. See full description for details (exp-4 (03.004)) Error (Form): Illegal use of Generic Target or ANY target. See full description for details (exp-5 (03.005)) Error (Form): Illegal use of Generic Target or ANY target. See full description for details (exp-6 (03.006)) Error (Form): Illegal use of Generic Target or ANY target. See full description for details (Visit 03) Warning (Orbit Planner): EXPOSURE TIME DECREASED FOR WFPC (Visit 03) Warning (Orbit Planner): EXPOSURE TIME DECREASED FOR WFPC (Visit 03) Warning (Orbit Planner): EXPOSURE TIME DECREASED FOR WFPC (Visit 03) Warning (Orbit Planner): EXPOSURE TIME DECREASED FOR WFPC (Visit 03) Warning (Orbit Planner): EXPOSURE TIME DECREASED FOR WFPC (Visit 03) Warning (Orbit Planner): EXPOSURE TIME DECREASED FOR WFPC																																																																															
Generic Targets		<table border="1"> <thead> <tr> <th>#</th> <th>Name</th> <th>Criteria</th> <th>Description</th> </tr> </thead> <tbody> <tr> <td>(1)</td> <td>GRB-1</td> <td>GRB-SN at z<0.3</td> <td>GAMMA RAY BURSTER</td> </tr> </tbody> </table>										#	Name	Criteria	Description	(1)	GRB-1	GRB-SN at z<0.3	GAMMA RAY BURSTER																																																														
		#	Name	Criteria	Description																																																																												
(1)		GRB-1	GRB-SN at z<0.3	GAMMA RAY BURSTER																																																																													
Exposures		<table border="1"> <thead> <tr> <th>#</th> <th>Label</th> <th>Target</th> <th>Config,Mode,Aperture</th> <th>Spectral Els.</th> <th>Opt. Params.</th> <th>Special Reqs.</th> <th>Groups</th> <th>Exp. Time/[Actual Dur.]</th> <th>Orbit</th> </tr> </thead> <tbody> <tr> <td>1</td> <td>exp-1</td> <td>(1) GRB-1</td> <td>WFPC2, IMAGE, WF3</td> <td>F606W</td> <td>CR-SPLIT=NO</td> <td></td> <td></td> <td>633.0 Secs [==>]</td> <td>[1]</td> </tr> <tr> <td>2</td> <td>exp-2</td> <td>(1) GRB-1</td> <td>WFPC2, IMAGE, WF3</td> <td>F606W</td> <td>CR-SPLIT=NO</td> <td>POS TARG 1.03,0.0</td> <td></td> <td>633.0 Secs [==>]</td> <td>[1]</td> </tr> <tr> <td>3</td> <td>exp-3</td> <td>(1) GRB-1</td> <td>WFPC2, IMAGE, WF3</td> <td>F606W</td> <td>CR-SPLIT=NO</td> <td>POS TARG 1.03,-1.03</td> <td></td> <td>633.0 Secs [==>]</td> <td>[1]</td> </tr> <tr> <td>4</td> <td>exp-4</td> <td>(1) GRB-1</td> <td>WFPC2, IMAGE, WF3</td> <td>F606W</td> <td>CR-SPLIT=NO</td> <td>POS TARG 1.03,1.03</td> <td></td> <td>633.0 Secs [==>]</td> <td>[2]</td> </tr> <tr> <td>5</td> <td>exp-5</td> <td>(1) GRB-1</td> <td>WFPC2, IMAGE, WF3</td> <td>F606W</td> <td>CR-SPLIT=NO</td> <td>POS TARG 0.0,1.03</td> <td></td> <td>633.0 Secs [==>]</td> <td>[2]</td> </tr> <tr> <td>6</td> <td>exp-6</td> <td>(1) GRB-1</td> <td>WFPC2, IMAGE, WF3</td> <td>F606W</td> <td>CR-SPLIT=NO</td> <td>POS TARG 0.0,-1.03</td> <td></td> <td>633.0 Secs [==>]</td> <td>[2]</td> </tr> </tbody> </table>										#	Label	Target	Config,Mode,Aperture	Spectral Els.	Opt. Params.	Special Reqs.	Groups	Exp. Time/[Actual Dur.]	Orbit	1	exp-1	(1) GRB-1	WFPC2, IMAGE, WF3	F606W	CR-SPLIT=NO			633.0 Secs [==>]	[1]	2	exp-2	(1) GRB-1	WFPC2, IMAGE, WF3	F606W	CR-SPLIT=NO	POS TARG 1.03,0.0		633.0 Secs [==>]	[1]	3	exp-3	(1) GRB-1	WFPC2, IMAGE, WF3	F606W	CR-SPLIT=NO	POS TARG 1.03,-1.03		633.0 Secs [==>]	[1]	4	exp-4	(1) GRB-1	WFPC2, IMAGE, WF3	F606W	CR-SPLIT=NO	POS TARG 1.03,1.03		633.0 Secs [==>]	[2]	5	exp-5	(1) GRB-1	WFPC2, IMAGE, WF3	F606W	CR-SPLIT=NO	POS TARG 0.0,1.03		633.0 Secs [==>]	[2]	6	exp-6	(1) GRB-1	WFPC2, IMAGE, WF3	F606W	CR-SPLIT=NO	POS TARG 0.0,-1.03		633.0 Secs [==>]	[2]
		#	Label	Target	Config,Mode,Aperture	Spectral Els.	Opt. Params.	Special Reqs.	Groups	Exp. Time/[Actual Dur.]	Orbit																																																																						
		1	exp-1	(1) GRB-1	WFPC2, IMAGE, WF3	F606W	CR-SPLIT=NO			633.0 Secs [==>]	[1]																																																																						
		2	exp-2	(1) GRB-1	WFPC2, IMAGE, WF3	F606W	CR-SPLIT=NO	POS TARG 1.03,0.0		633.0 Secs [==>]	[1]																																																																						
	3	exp-3	(1) GRB-1	WFPC2, IMAGE, WF3	F606W	CR-SPLIT=NO	POS TARG 1.03,-1.03		633.0 Secs [==>]	[1]																																																																							
	4	exp-4	(1) GRB-1	WFPC2, IMAGE, WF3	F606W	CR-SPLIT=NO	POS TARG 1.03,1.03		633.0 Secs [==>]	[2]																																																																							
	5	exp-5	(1) GRB-1	WFPC2, IMAGE, WF3	F606W	CR-SPLIT=NO	POS TARG 0.0,1.03		633.0 Secs [==>]	[2]																																																																							
	6	exp-6	(1) GRB-1	WFPC2, IMAGE, WF3	F606W	CR-SPLIT=NO	POS TARG 0.0,-1.03		633.0 Secs [==>]	[2]																																																																							



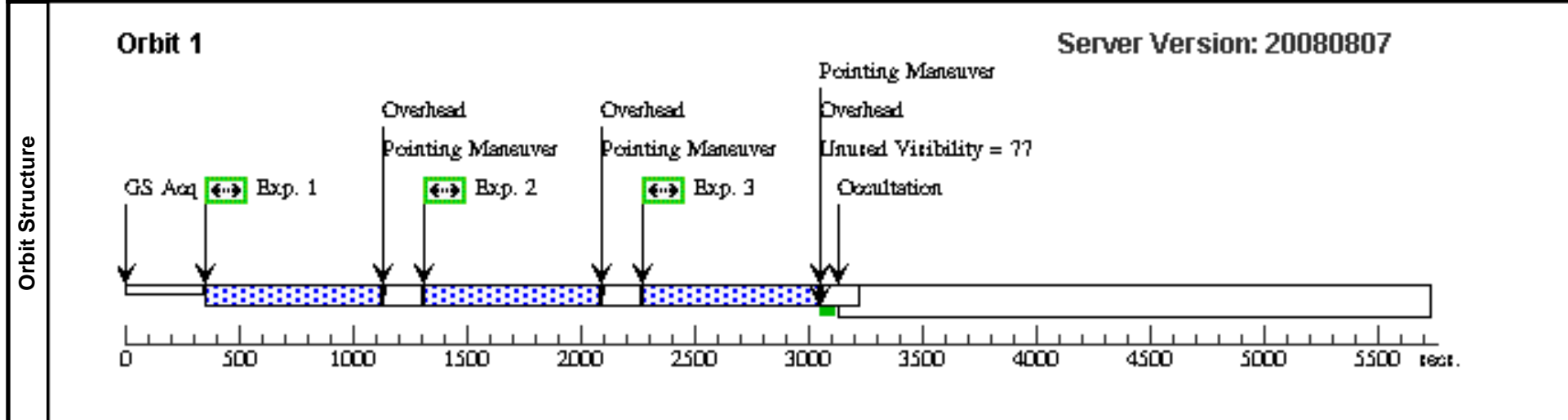
Proposal 11161 - Visit 04 - Revealing the Explosion Geometry of Nearby GRB-SNe

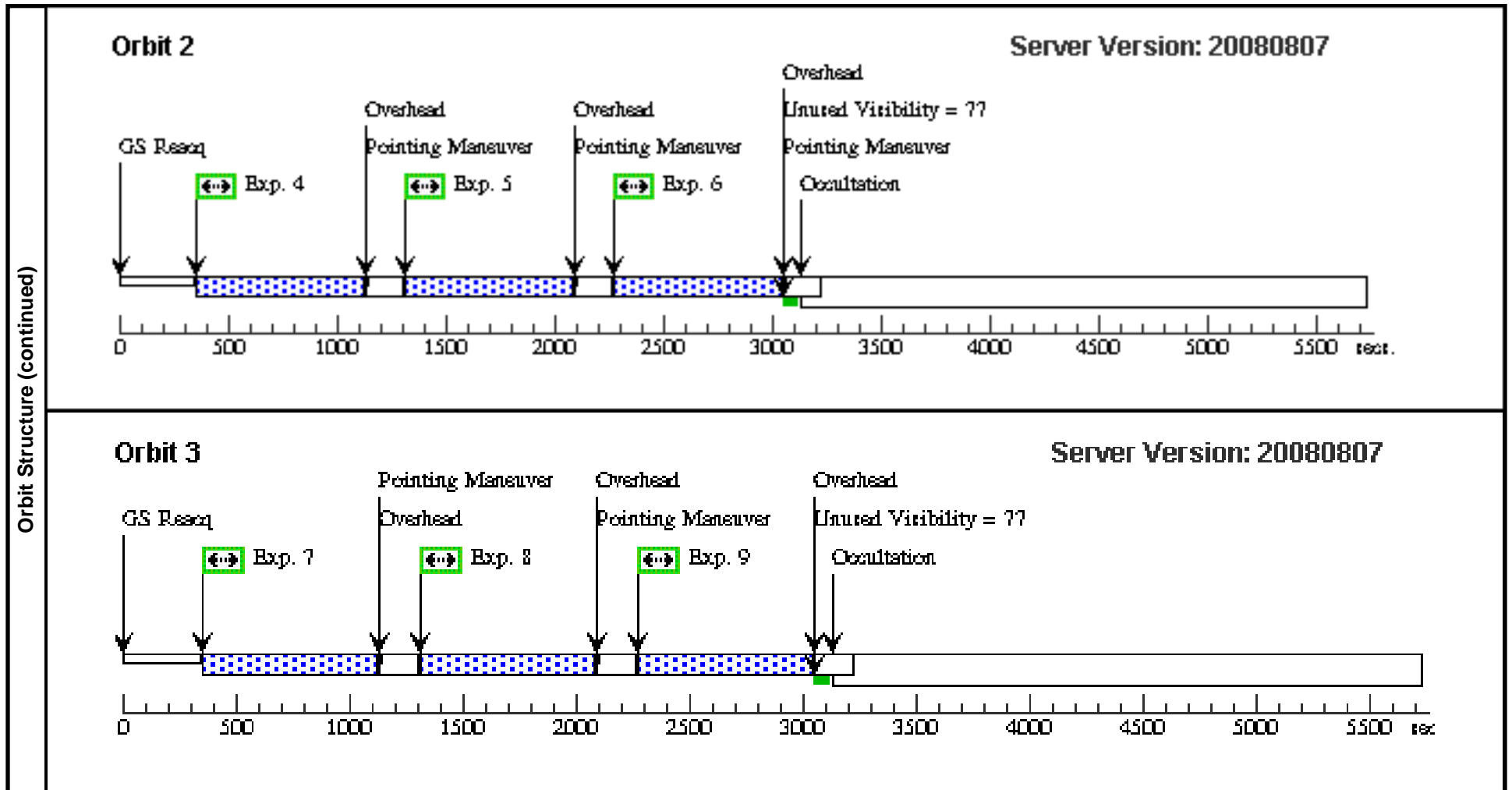
Sat Sep 20 01:02:54 GMT 2008

Visit	Proposal 11161, Visit 04, implementation Diagnostic Status: Error Scientific Instruments: WFPC2 Special Requirements: AFTER 01 BY 140.0 D TO 180.0 D <i>Comments: The is the fourth epoch for GRB-SN 1</i>																																																																																																				
	Diagnostics	(exp-1 (04.001)) Error (Form): Illegal use of Generic Target or ANY target. See full description for details (exp-2 (04.002)) Error (Form): Illegal use of Generic Target or ANY target. See full description for details (exp-3 (04.003)) Error (Form): Illegal use of Generic Target or ANY target. See full description for details (exp-4 (04.004)) Error (Form): Illegal use of Generic Target or ANY target. See full description for details (exp-5 (04.005)) Error (Form): Illegal use of Generic Target or ANY target. See full description for details (exp-6 (04.006)) Error (Form): Illegal use of Generic Target or ANY target. See full description for details (exp-7 (04.007)) Error (Form): Illegal use of Generic Target or ANY target. See full description for details (exp-8 (04.008)) Error (Form): Illegal use of Generic Target or ANY target. See full description for details (exp-9 (04.009)) Error (Form): Illegal use of Generic Target or ANY target. See full description for details (Visit 04) Warning (Orbit Planner): EXPOSURE TIME DECREASED FOR WFPC (Visit 04) Warning (Orbit Planner): EXPOSURE TIME DECREASED FOR WFPC (Visit 04) Warning (Orbit Planner): EXPOSURE TIME DECREASED FOR WFPC (Visit 04) Warning (Orbit Planner): EXPOSURE TIME DECREASED FOR WFPC (Visit 04) Warning (Orbit Planner): EXPOSURE TIME DECREASED FOR WFPC (Visit 04) Warning (Orbit Planner): EXPOSURE TIME DECREASED FOR WFPC (Visit 04) Warning (Orbit Planner): EXPOSURE TIME DECREASED FOR WFPC (Visit 04) Warning (Orbit Planner): EXPOSURE TIME DECREASED FOR WFPC (Visit 04) Warning (Orbit Planner): EXPOSURE TIME DECREASED FOR WFPC (Visit 04) Warning (Orbit Planner): EXPOSURE TIME DECREASED FOR WFPC																																																																																																			
Generic Targets		<table border="1"> <thead> <tr> <th>#</th> <th>Name</th> <th>Criteria</th> <th>Description</th> </tr> </thead> <tbody> <tr> <td>(1)</td> <td>GRB-1</td> <td>GRB-SN at z<0.3</td> <td>GAMMA RAY BURSTER</td> </tr> </tbody> </table>										#	Name	Criteria	Description	(1)	GRB-1	GRB-SN at z<0.3	GAMMA RAY BURSTER																																																																																		
		#	Name	Criteria	Description																																																																																																
(1)		GRB-1	GRB-SN at z<0.3	GAMMA RAY BURSTER																																																																																																	
Exposures		<table border="1"> <thead> <tr> <th>#</th> <th>Label</th> <th>Target</th> <th>Config,Mode,Aperture</th> <th>Spectral Els.</th> <th>Opt. Params.</th> <th>Special Reqs.</th> <th>Groups</th> <th>Exp. Time/[Actual Dur.]</th> <th>Orbit</th> </tr> </thead> <tbody> <tr> <td>1</td> <td>exp-1</td> <td>(1) GRB-1</td> <td>WFPC2, IMAGE, WF3</td> <td>F606W</td> <td>CR-SPLIT=NO</td> <td></td> <td></td> <td>633.0 Secs</td> <td></td> </tr> <tr> <td></td> <td></td> <td></td> <td></td> <td></td> <td></td> <td></td> <td></td> <td>[==>]</td> <td>[1]</td> </tr> <tr> <td>2</td> <td>exp-2</td> <td>(1) GRB-1</td> <td>WFPC2, IMAGE, WF3</td> <td>F606W</td> <td>CR-SPLIT=NO</td> <td>POS TARG 1.03,0.0</td> <td></td> <td>633.0 Secs</td> <td></td> </tr> <tr> <td></td> <td></td> <td></td> <td></td> <td></td> <td></td> <td></td> <td></td> <td>[==>]</td> <td>[1]</td> </tr> <tr> <td>3</td> <td>exp-3</td> <td>(1) GRB-1</td> <td>WFPC2, IMAGE, WF3</td> <td>F606W</td> <td>CR-SPLIT=NO</td> <td>POS TARG 1.03,-1.03</td> <td></td> <td>633.0 Secs</td> <td></td> </tr> <tr> <td></td> <td></td> <td></td> <td></td> <td></td> <td></td> <td></td> <td></td> <td>[==>]</td> <td>[1]</td> </tr> <tr> <td>4</td> <td>exp-4</td> <td>(1) GRB-1</td> <td>WFPC2, IMAGE, WF3</td> <td>F606W</td> <td>CR-SPLIT=NO</td> <td>POS TARG 1.03,1.03</td> <td></td> <td>633.0 Secs</td> <td></td> </tr> <tr> <td></td> <td></td> <td></td> <td></td> <td></td> <td></td> <td></td> <td></td> <td>[==>]</td> <td>[2]</td> </tr> </tbody> </table>										#	Label	Target	Config,Mode,Aperture	Spectral Els.	Opt. Params.	Special Reqs.	Groups	Exp. Time/[Actual Dur.]	Orbit	1	exp-1	(1) GRB-1	WFPC2, IMAGE, WF3	F606W	CR-SPLIT=NO			633.0 Secs										[==>]	[1]	2	exp-2	(1) GRB-1	WFPC2, IMAGE, WF3	F606W	CR-SPLIT=NO	POS TARG 1.03,0.0		633.0 Secs										[==>]	[1]	3	exp-3	(1) GRB-1	WFPC2, IMAGE, WF3	F606W	CR-SPLIT=NO	POS TARG 1.03,-1.03		633.0 Secs										[==>]	[1]	4	exp-4	(1) GRB-1	WFPC2, IMAGE, WF3	F606W	CR-SPLIT=NO	POS TARG 1.03,1.03		633.0 Secs										[==>]	[2]
		#	Label	Target	Config,Mode,Aperture	Spectral Els.	Opt. Params.	Special Reqs.	Groups	Exp. Time/[Actual Dur.]	Orbit																																																																																										
		1	exp-1	(1) GRB-1	WFPC2, IMAGE, WF3	F606W	CR-SPLIT=NO			633.0 Secs																																																																																											
										[==>]	[1]																																																																																										
		2	exp-2	(1) GRB-1	WFPC2, IMAGE, WF3	F606W	CR-SPLIT=NO	POS TARG 1.03,0.0		633.0 Secs																																																																																											
										[==>]	[1]																																																																																										
		3	exp-3	(1) GRB-1	WFPC2, IMAGE, WF3	F606W	CR-SPLIT=NO	POS TARG 1.03,-1.03		633.0 Secs																																																																																											
									[==>]	[1]																																																																																											
4	exp-4	(1) GRB-1	WFPC2, IMAGE, WF3	F606W	CR-SPLIT=NO	POS TARG 1.03,1.03		633.0 Secs																																																																																													
								[==>]	[2]																																																																																												

Proposal 11161 - Visit 04 - Revealing the Explosion Geometry of Nearby GRB-SNe

#	Label	Target	Config,Mode,Aperture	Spectral Els.	Opt. Params.	Special Reqs.	Groups	Exp. Time/[Actual Dur.]	Orbit
Exposures (continued)	5	exp-5	(1) GRB-1	WFPC2, IMAGE, WF3	F606W	CR-SPLIT=NO	POS TARG 0.0,1.03	633.0 Secs [==>]	[2]
	6	exp-6	(1) GRB-1	WFPC2, IMAGE, WF3	F606W	CR-SPLIT=NO	POS TARG 0.0,-1.0 3	633.0 Secs [==>]	[2]
	7	exp-7	(1) GRB-1	WFPC2, IMAGE, WF3	F606W	CR-SPLIT=NO	POS TARG -1.03,0. 0	633.0 Secs [==>]	[3]
	8	exp-8	(1) GRB-1	WFPC2, IMAGE, WF3	F606W	CR-SPLIT=NO	POS TARG -1.03,-1. 03	633.0 Secs [==>]	[3]
	9	exp-9	(1) GRB-1	WFPC2, IMAGE, WF3	F606W	CR-SPLIT=NO	POS TARG -1.03,1. 03	633.0 Secs [==>]	[3]





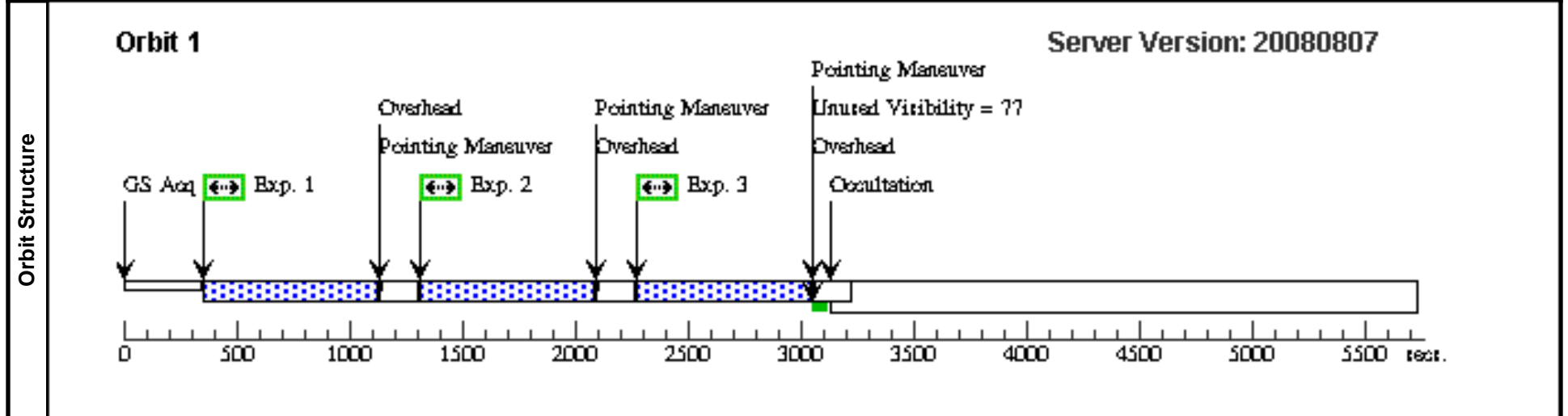
Proposal 11161 - Visit 05 - Revealing the Explosion Geometry of Nearby GRB-SNe

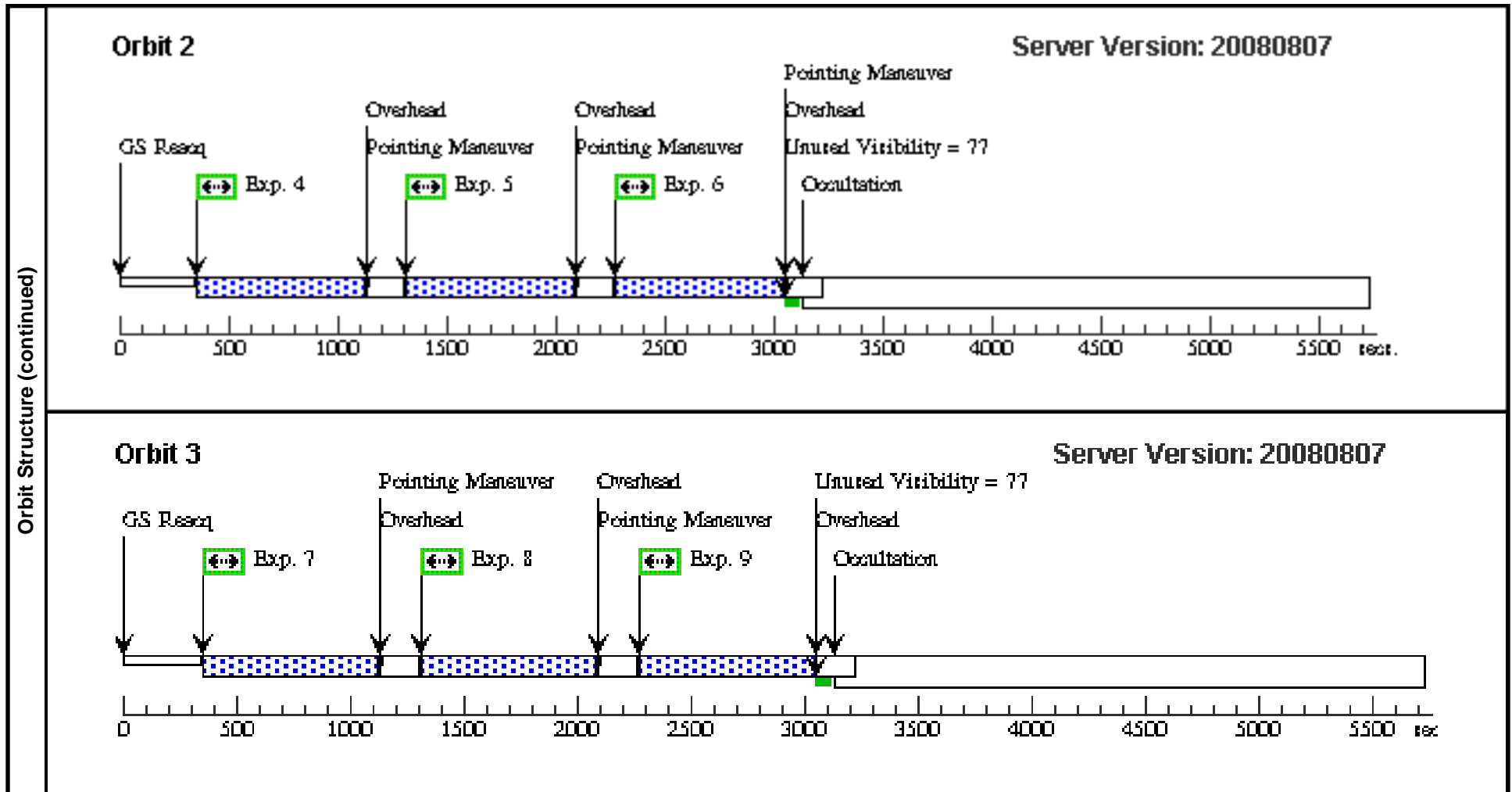
Sat Sep 20 01:02:55 GMT 2008

Visit	Proposal 11161, Visit 05, implementation Diagnostic Status: Error Scientific Instruments: WFPC2 Special Requirements: AFTER 01 BY 240.0 D TO 300.0 D <i>Comments: The is the fourth epoch for GRB-SN 1</i>																																																																																																				
	Diagnostics	(exp-1 (05.001)) Error (Form): Illegal use of Generic Target or ANY target. See full description for details (exp-2 (05.002)) Error (Form): Illegal use of Generic Target or ANY target. See full description for details (exp-3 (05.003)) Error (Form): Illegal use of Generic Target or ANY target. See full description for details (exp-4 (05.004)) Error (Form): Illegal use of Generic Target or ANY target. See full description for details (exp-5 (05.005)) Error (Form): Illegal use of Generic Target or ANY target. See full description for details (exp-6 (05.006)) Error (Form): Illegal use of Generic Target or ANY target. See full description for details (exp-7 (05.007)) Error (Form): Illegal use of Generic Target or ANY target. See full description for details (exp-8 (05.008)) Error (Form): Illegal use of Generic Target or ANY target. See full description for details (exp-9 (05.009)) Error (Form): Illegal use of Generic Target or ANY target. See full description for details (Visit 05) Warning (Orbit Planner): EXPOSURE TIME DECREASED FOR WFPC (Visit 05) Warning (Orbit Planner): EXPOSURE TIME DECREASED FOR WFPC (Visit 05) Warning (Orbit Planner): EXPOSURE TIME DECREASED FOR WFPC (Visit 05) Warning (Orbit Planner): EXPOSURE TIME DECREASED FOR WFPC (Visit 05) Warning (Orbit Planner): EXPOSURE TIME DECREASED FOR WFPC (Visit 05) Warning (Orbit Planner): EXPOSURE TIME DECREASED FOR WFPC (Visit 05) Warning (Orbit Planner): EXPOSURE TIME DECREASED FOR WFPC (Visit 05) Warning (Orbit Planner): EXPOSURE TIME DECREASED FOR WFPC (Visit 05) Warning (Orbit Planner): EXPOSURE TIME DECREASED FOR WFPC (Visit 05) Warning (Orbit Planner): EXPOSURE TIME DECREASED FOR WFPC																																																																																																			
Generic Targets		<table border="1"> <thead> <tr> <th>#</th> <th>Name</th> <th>Criteria</th> <th>Description</th> </tr> </thead> <tbody> <tr> <td>(1)</td> <td>GRB-1</td> <td>GRB-SN at z<0.3</td> <td>GAMMA RAY BURSTER</td> </tr> </tbody> </table>										#	Name	Criteria	Description	(1)	GRB-1	GRB-SN at z<0.3	GAMMA RAY BURSTER																																																																																		
		#	Name	Criteria	Description																																																																																																
(1)		GRB-1	GRB-SN at z<0.3	GAMMA RAY BURSTER																																																																																																	
Exposures		<table border="1"> <thead> <tr> <th>#</th> <th>Label</th> <th>Target</th> <th>Config,Mode,Aperture</th> <th>Spectral Els.</th> <th>Opt. Params.</th> <th>Special Reqs.</th> <th>Groups</th> <th>Exp. Time/[Actual Dur.]</th> <th>Orbit</th> </tr> </thead> <tbody> <tr> <td>1</td> <td>exp-1</td> <td>(1) GRB-1</td> <td>WFPC2, IMAGE, WF3</td> <td>F606W</td> <td>CR-SPLIT=NO</td> <td></td> <td></td> <td>633.0 Secs</td> <td></td> </tr> <tr> <td></td> <td></td> <td></td> <td></td> <td></td> <td></td> <td></td> <td></td> <td>[==>]</td> <td>[1]</td> </tr> <tr> <td>2</td> <td>exp-2</td> <td>(1) GRB-1</td> <td>WFPC2, IMAGE, WF3</td> <td>F606W</td> <td>CR-SPLIT=NO</td> <td>POS TARG 1.03,0.0</td> <td></td> <td>633.0 Secs</td> <td></td> </tr> <tr> <td></td> <td></td> <td></td> <td></td> <td></td> <td></td> <td></td> <td></td> <td>[==>]</td> <td>[1]</td> </tr> <tr> <td>3</td> <td>exp-3</td> <td>(1) GRB-1</td> <td>WFPC2, IMAGE, WF3</td> <td>F606W</td> <td>CR-SPLIT=NO</td> <td>POS TARG 1.03,-1.03</td> <td></td> <td>633.0 Secs</td> <td></td> </tr> <tr> <td></td> <td></td> <td></td> <td></td> <td></td> <td></td> <td></td> <td></td> <td>[==>]</td> <td>[1]</td> </tr> <tr> <td>4</td> <td>exp-4</td> <td>(1) GRB-1</td> <td>WFPC2, IMAGE, WF3</td> <td>F606W</td> <td>CR-SPLIT=NO</td> <td>POS TARG 1.03,1.03</td> <td></td> <td>633.0 Secs</td> <td></td> </tr> <tr> <td></td> <td></td> <td></td> <td></td> <td></td> <td></td> <td></td> <td></td> <td>[==>]</td> <td>[2]</td> </tr> </tbody> </table>										#	Label	Target	Config,Mode,Aperture	Spectral Els.	Opt. Params.	Special Reqs.	Groups	Exp. Time/[Actual Dur.]	Orbit	1	exp-1	(1) GRB-1	WFPC2, IMAGE, WF3	F606W	CR-SPLIT=NO			633.0 Secs										[==>]	[1]	2	exp-2	(1) GRB-1	WFPC2, IMAGE, WF3	F606W	CR-SPLIT=NO	POS TARG 1.03,0.0		633.0 Secs										[==>]	[1]	3	exp-3	(1) GRB-1	WFPC2, IMAGE, WF3	F606W	CR-SPLIT=NO	POS TARG 1.03,-1.03		633.0 Secs										[==>]	[1]	4	exp-4	(1) GRB-1	WFPC2, IMAGE, WF3	F606W	CR-SPLIT=NO	POS TARG 1.03,1.03		633.0 Secs										[==>]	[2]
		#	Label	Target	Config,Mode,Aperture	Spectral Els.	Opt. Params.	Special Reqs.	Groups	Exp. Time/[Actual Dur.]	Orbit																																																																																										
		1	exp-1	(1) GRB-1	WFPC2, IMAGE, WF3	F606W	CR-SPLIT=NO			633.0 Secs																																																																																											
										[==>]	[1]																																																																																										
		2	exp-2	(1) GRB-1	WFPC2, IMAGE, WF3	F606W	CR-SPLIT=NO	POS TARG 1.03,0.0		633.0 Secs																																																																																											
										[==>]	[1]																																																																																										
		3	exp-3	(1) GRB-1	WFPC2, IMAGE, WF3	F606W	CR-SPLIT=NO	POS TARG 1.03,-1.03		633.0 Secs																																																																																											
										[==>]	[1]																																																																																										
4	exp-4	(1) GRB-1	WFPC2, IMAGE, WF3	F606W	CR-SPLIT=NO	POS TARG 1.03,1.03		633.0 Secs																																																																																													
								[==>]	[2]																																																																																												

Proposal 11161 - Visit 05 - Revealing the Explosion Geometry of Nearby GRB-SNe

#	Label	Target	Config,Mode,Aperture	Spectral Els.	Opt. Params.	Special Reqs.	Groups	Exp. Time/[Actual Dur.]	Orbit
Exposures (continued)	5	exp-5	(1) GRB-1	WFPC2, IMAGE, WF3	F606W	CR-SPLIT=NO	POS TARG 0.0,1.03	633.0 Secs [==>]	[2]
	6	exp-6	(1) GRB-1	WFPC2, IMAGE, WF3	F606W	CR-SPLIT=NO	POS TARG 0.0,-1.0 3	633.0 Secs [==>]	[2]
	7	exp-7	(1) GRB-1	WFPC2, IMAGE, WF3	F606W	CR-SPLIT=NO	POS TARG -1.03,0. 0	633.0 Secs [==>]	[3]
	8	exp-8	(1) GRB-1	WFPC2, IMAGE, WF3	F606W	CR-SPLIT=NO	POS TARG -1.03,-1. 03	633.0 Secs [==>]	[3]
	9	exp-9	(1) GRB-1	WFPC2, IMAGE, WF3	F606W	CR-SPLIT=NO	POS TARG -1.03,1. 03	633.0 Secs [==>]	[3]

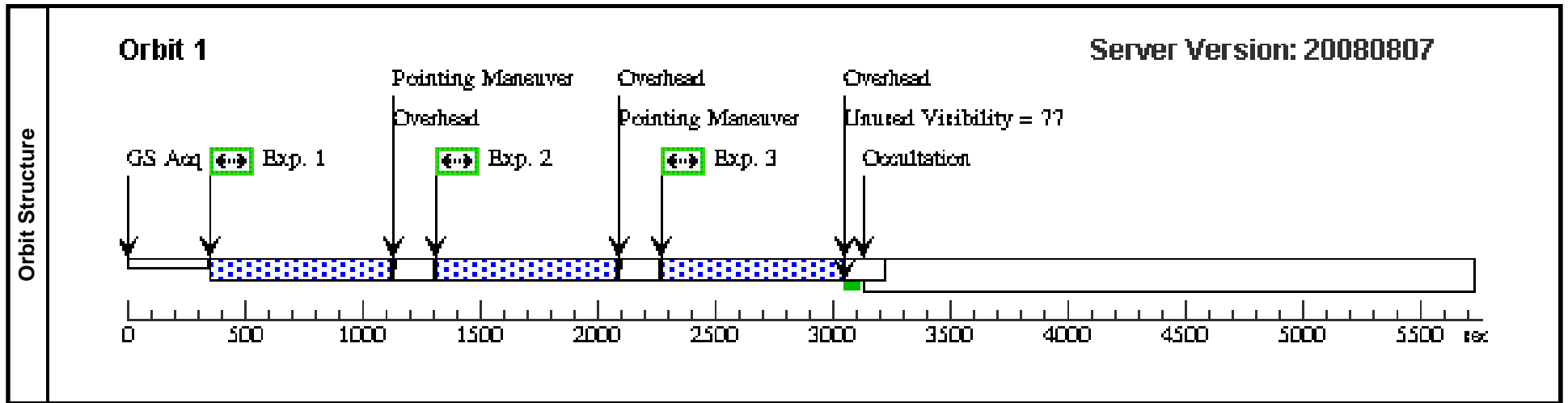




Proposal 11161 - Visit 06 - Revealing the Explosion Geometry of Nearby GRB-SNe

Sat Sep 20 01:02:56 GMT 2008

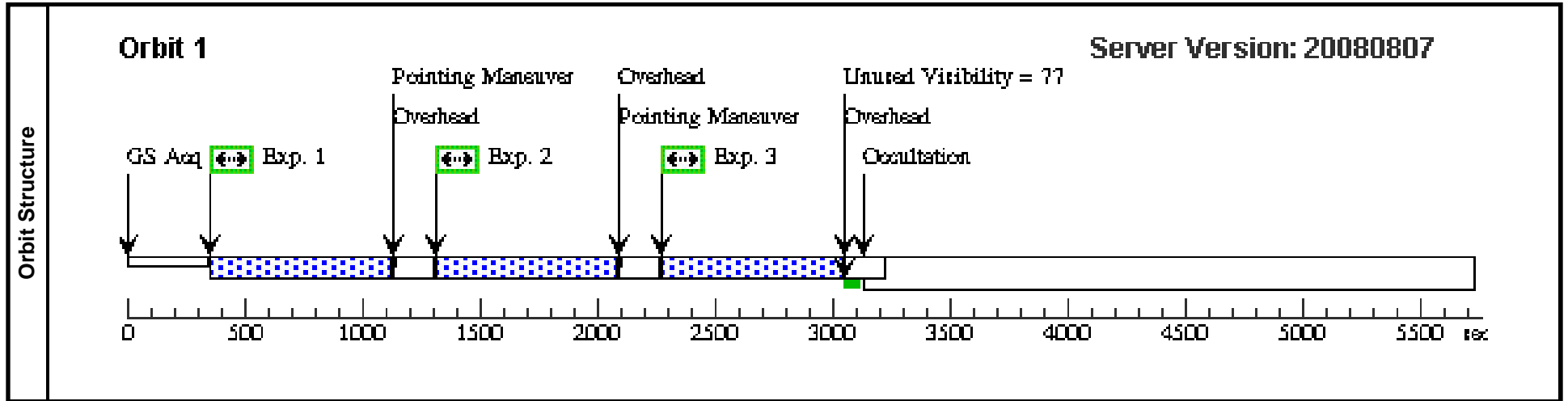
Visit	Proposal 11161, Visit 06, implementation Diagnostic Status: Error Scientific Instruments: WFPC2 Special Requirements: (none) <i>Comments: The is the first epoch for GRB-SN 2</i>																																																																															
	Diagnostics	(exp-1 (06.001)) Error (Form): Illegal use of Generic Target or ANY target. See full description for details																																																																														
(exp-2 (06.002)) Error (Form): Illegal use of Generic Target or ANY target. See full description for details																																																																																
(exp-3 (06.003)) Error (Form): Illegal use of Generic Target or ANY target. See full description for details																																																																																
(Visit 06) Warning (Orbit Planner): EXPOSURE TIME DECREASED FOR WFPC																																																																																
Generic Targets	(Visit 06) Warning (Orbit Planner): EXPOSURE TIME DECREASED FOR WFPC																																																																															
	(Visit 06) Warning (Orbit Planner): EXPOSURE TIME DECREASED FOR WFPC																																																																															
	(Visit 06) Warning (Orbit Planner): EXPOSURE TIME DECREASED FOR WFPC																																																																															
	<table border="1"> <thead> <tr> <th>#</th> <th>Name</th> <th>Criteria</th> <th>Description</th> </tr> </thead> <tbody> <tr> <td>(2)</td> <td>GRB-2</td> <td>GRB-SN at z<0.3</td> <td>GAMMA RAY BURSTER</td> </tr> </tbody> </table>										#	Name	Criteria	Description	(2)	GRB-2	GRB-SN at z<0.3	GAMMA RAY BURSTER																																																														
#	Name	Criteria	Description																																																																													
(2)	GRB-2	GRB-SN at z<0.3	GAMMA RAY BURSTER																																																																													
Exposures	<table border="1"> <thead> <tr> <th>#</th> <th>Label</th> <th>Target</th> <th>Config,Mode,Aperture</th> <th>Spectral Els.</th> <th>Opt. Params.</th> <th>Special Reqs.</th> <th>Groups</th> <th>Exp. Time/[Actual Dur.]</th> <th>Orbit</th> </tr> </thead> <tbody> <tr> <td>1</td> <td>exp-1</td> <td>(2) GRB-2</td> <td>WFPC2, IMAGE, WF3</td> <td>F606W</td> <td>CR-SPLIT=NO</td> <td></td> <td></td> <td>633.0 Secs</td> <td></td> </tr> <tr> <td></td> <td></td> <td></td> <td></td> <td></td> <td></td> <td></td> <td></td> <td>[==>]</td> <td>[1]</td> </tr> <tr> <td>2</td> <td>exp-2</td> <td>(2) GRB-2</td> <td>WFPC2, IMAGE, WF3</td> <td>F606W</td> <td>CR-SPLIT=NO</td> <td>POS TARG 1.03,0.0</td> <td></td> <td>633.0 Secs</td> <td></td> </tr> <tr> <td></td> <td></td> <td></td> <td></td> <td></td> <td></td> <td></td> <td></td> <td>[==>]</td> <td>[1]</td> </tr> <tr> <td>3</td> <td>exp-3</td> <td>(2) GRB-2</td> <td>WFPC2, IMAGE, WF3</td> <td>F606W</td> <td>CR-SPLIT=NO</td> <td>POS TARG 1.03,-1.03</td> <td></td> <td>633.0 Secs</td> <td></td> </tr> <tr> <td></td> <td></td> <td></td> <td></td> <td></td> <td></td> <td></td> <td></td> <td>[==>]</td> <td>[1]</td> </tr> </tbody> </table>										#	Label	Target	Config,Mode,Aperture	Spectral Els.	Opt. Params.	Special Reqs.	Groups	Exp. Time/[Actual Dur.]	Orbit	1	exp-1	(2) GRB-2	WFPC2, IMAGE, WF3	F606W	CR-SPLIT=NO			633.0 Secs										[==>]	[1]	2	exp-2	(2) GRB-2	WFPC2, IMAGE, WF3	F606W	CR-SPLIT=NO	POS TARG 1.03,0.0		633.0 Secs										[==>]	[1]	3	exp-3	(2) GRB-2	WFPC2, IMAGE, WF3	F606W	CR-SPLIT=NO	POS TARG 1.03,-1.03		633.0 Secs										[==>]	[1]
	#	Label	Target	Config,Mode,Aperture	Spectral Els.	Opt. Params.	Special Reqs.	Groups	Exp. Time/[Actual Dur.]	Orbit																																																																						
	1	exp-1	(2) GRB-2	WFPC2, IMAGE, WF3	F606W	CR-SPLIT=NO			633.0 Secs																																																																							
									[==>]	[1]																																																																						
	2	exp-2	(2) GRB-2	WFPC2, IMAGE, WF3	F606W	CR-SPLIT=NO	POS TARG 1.03,0.0		633.0 Secs																																																																							
									[==>]	[1]																																																																						
3	exp-3	(2) GRB-2	WFPC2, IMAGE, WF3	F606W	CR-SPLIT=NO	POS TARG 1.03,-1.03		633.0 Secs																																																																								
								[==>]	[1]																																																																							



Proposal 11161 - Visit 07 - Revealing the Explosion Geometry of Nearby GRB-SNe

Sat Sep 20 01:02:56 GMT 2008

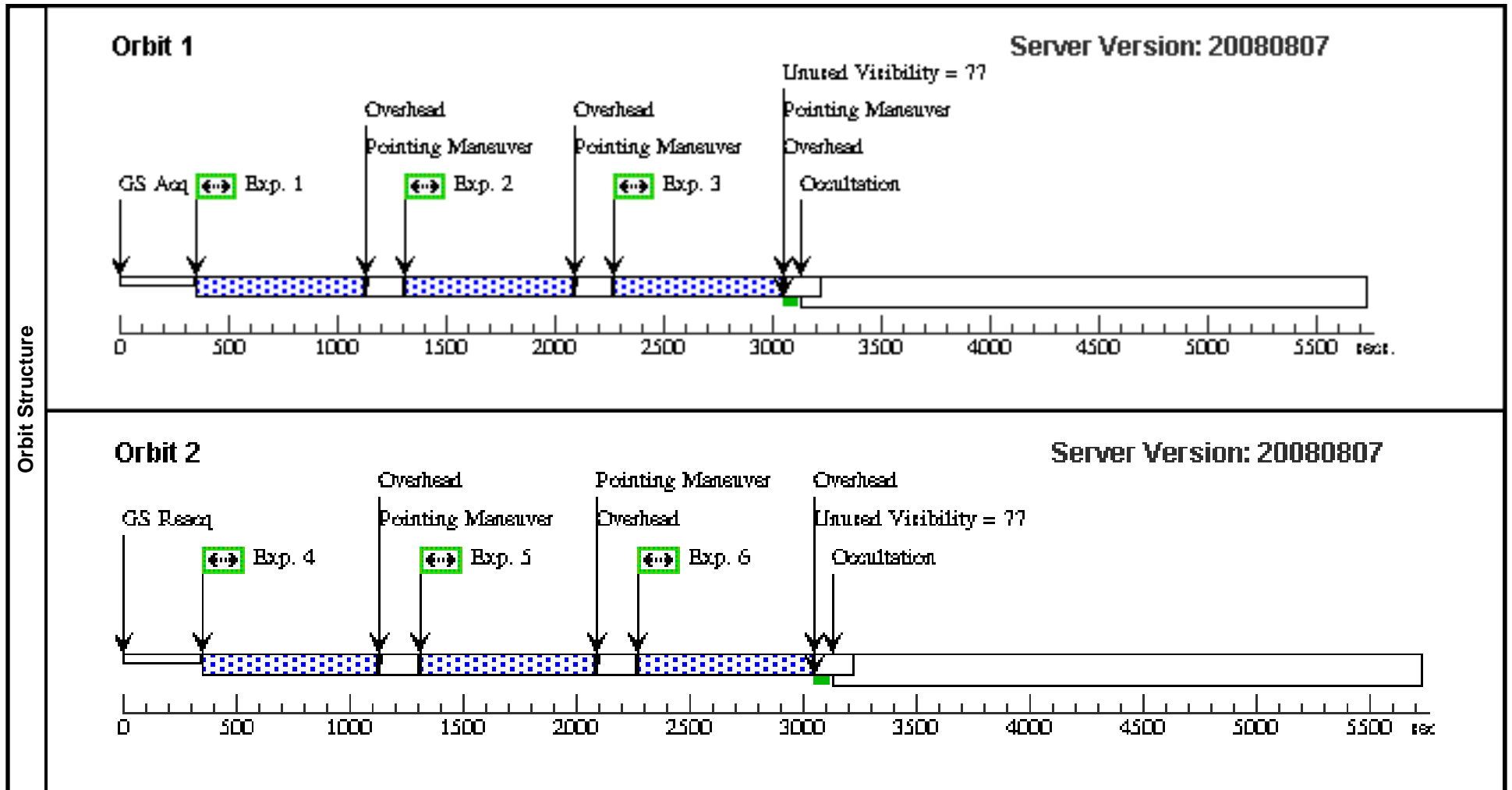
Visit	Proposal 11161, Visit 07, implementation Diagnostic Status: Error Scientific Instruments: WFPC2 Special Requirements: AFTER 06 BY 40.0 D TO 60.0 D <i>Comments: The is the second epoch for GRB-SN 2</i>																																																																															
	Diagnostics	(exp-1 (07.001)) Error (Form): Illegal use of Generic Target or ANY target. See full description for details																																																																														
(exp-2 (07.002)) Error (Form): Illegal use of Generic Target or ANY target. See full description for details																																																																																
(exp-3 (07.003)) Error (Form): Illegal use of Generic Target or ANY target. See full description for details																																																																																
(Visit 07) Warning (Orbit Planner): EXPOSURE TIME DECREASED FOR WFPC																																																																																
Generic Targets	(Visit 07) Warning (Orbit Planner): EXPOSURE TIME DECREASED FOR WFPC																																																																															
	(Visit 07) Warning (Orbit Planner): EXPOSURE TIME DECREASED FOR WFPC																																																																															
	(Visit 07) Warning (Orbit Planner): EXPOSURE TIME DECREASED FOR WFPC																																																																															
	<table border="1"> <thead> <tr> <th>#</th> <th>Name</th> <th>Criteria</th> <th>Description</th> </tr> </thead> <tbody> <tr> <td>(2)</td> <td>GRB-2</td> <td>GRB-SN at z<0.3</td> <td>GAMMA RAY BURSTER</td> </tr> </tbody> </table>										#	Name	Criteria	Description	(2)	GRB-2	GRB-SN at z<0.3	GAMMA RAY BURSTER																																																														
#	Name	Criteria	Description																																																																													
(2)	GRB-2	GRB-SN at z<0.3	GAMMA RAY BURSTER																																																																													
Exposures	<table border="1"> <thead> <tr> <th>#</th> <th>Label</th> <th>Target</th> <th>Config,Mode,Aperture</th> <th>Spectral Els.</th> <th>Opt. Params.</th> <th>Special Reqs.</th> <th>Groups</th> <th>Exp. Time/[Actual Dur.]</th> <th>Orbit</th> </tr> </thead> <tbody> <tr> <td>1</td> <td>exp-1</td> <td>(2) GRB-2</td> <td>WFPC2, IMAGE, WF3</td> <td>F606W</td> <td>CR-SPLIT=NO</td> <td></td> <td></td> <td>633.0 Secs</td> <td></td> </tr> <tr> <td></td> <td></td> <td></td> <td></td> <td></td> <td></td> <td></td> <td></td> <td>[==>]</td> <td>[1]</td> </tr> <tr> <td>2</td> <td>exp-2</td> <td>(2) GRB-2</td> <td>WFPC2, IMAGE, WF3</td> <td>F606W</td> <td>CR-SPLIT=NO</td> <td>POS TARG 1.03,0.0</td> <td></td> <td>633.0 Secs</td> <td></td> </tr> <tr> <td></td> <td></td> <td></td> <td></td> <td></td> <td></td> <td></td> <td></td> <td>[==>]</td> <td>[1]</td> </tr> <tr> <td>3</td> <td>exp-3</td> <td>(2) GRB-2</td> <td>WFPC2, IMAGE, WF3</td> <td>F606W</td> <td>CR-SPLIT=NO</td> <td>POS TARG 1.03,-1.03</td> <td></td> <td>633.0 Secs</td> <td></td> </tr> <tr> <td></td> <td></td> <td></td> <td></td> <td></td> <td></td> <td></td> <td></td> <td>[==>]</td> <td>[1]</td> </tr> </tbody> </table>										#	Label	Target	Config,Mode,Aperture	Spectral Els.	Opt. Params.	Special Reqs.	Groups	Exp. Time/[Actual Dur.]	Orbit	1	exp-1	(2) GRB-2	WFPC2, IMAGE, WF3	F606W	CR-SPLIT=NO			633.0 Secs										[==>]	[1]	2	exp-2	(2) GRB-2	WFPC2, IMAGE, WF3	F606W	CR-SPLIT=NO	POS TARG 1.03,0.0		633.0 Secs										[==>]	[1]	3	exp-3	(2) GRB-2	WFPC2, IMAGE, WF3	F606W	CR-SPLIT=NO	POS TARG 1.03,-1.03		633.0 Secs										[==>]	[1]
	#	Label	Target	Config,Mode,Aperture	Spectral Els.	Opt. Params.	Special Reqs.	Groups	Exp. Time/[Actual Dur.]	Orbit																																																																						
	1	exp-1	(2) GRB-2	WFPC2, IMAGE, WF3	F606W	CR-SPLIT=NO			633.0 Secs																																																																							
									[==>]	[1]																																																																						
	2	exp-2	(2) GRB-2	WFPC2, IMAGE, WF3	F606W	CR-SPLIT=NO	POS TARG 1.03,0.0		633.0 Secs																																																																							
									[==>]	[1]																																																																						
3	exp-3	(2) GRB-2	WFPC2, IMAGE, WF3	F606W	CR-SPLIT=NO	POS TARG 1.03,-1.03		633.0 Secs																																																																								
								[==>]	[1]																																																																							



Proposal 11161 - Visit 08 - Revealing the Explosion Geometry of Nearby GRB-SNe

Sat Sep 20 01:02:57 GMT 2008

Visit	Proposal 11161, Visit 08, implementation Diagnostic Status: Error Scientific Instruments: WFPC2 Special Requirements: AFTER 06 BY 80.0 D TO 120.0 D <i>Comments: The is the third epoch for GRB-SN 2</i>																																																																																
	Diagnostics	(exp-1 (08.001)) Error (Form): Illegal use of Generic Target or ANY target. See full description for details (exp-2 (08.002)) Error (Form): Illegal use of Generic Target or ANY target. See full description for details (exp-3 (08.003)) Error (Form): Illegal use of Generic Target or ANY target. See full description for details (exp-4 (08.004)) Error (Form): Illegal use of Generic Target or ANY target. See full description for details (exp-5 (08.005)) Error (Form): Illegal use of Generic Target or ANY target. See full description for details (exp-6 (08.006)) Error (Form): Illegal use of Generic Target or ANY target. See full description for details (Visit 08) Warning (Orbit Planner): EXPOSURE TIME DECREASED FOR WFPC (Visit 08) Warning (Orbit Planner): EXPOSURE TIME DECREASED FOR WFPC (Visit 08) Warning (Orbit Planner): EXPOSURE TIME DECREASED FOR WFPC (Visit 08) Warning (Orbit Planner): EXPOSURE TIME DECREASED FOR WFPC (Visit 08) Warning (Orbit Planner): EXPOSURE TIME DECREASED FOR WFPC (Visit 08) Warning (Orbit Planner): EXPOSURE TIME DECREASED FOR WFPC																																																																															
Generic Targets		<table border="1"> <thead> <tr> <th>#</th> <th>Name</th> <th>Criteria</th> <th>Description</th> </tr> </thead> <tbody> <tr> <td>(2)</td> <td>GRB-2</td> <td>GRB-SN at z<0.3</td> <td>GAMMA RAY BURSTER</td> </tr> </tbody> </table>										#	Name	Criteria	Description	(2)	GRB-2	GRB-SN at z<0.3	GAMMA RAY BURSTER																																																														
		#	Name	Criteria	Description																																																																												
(2)		GRB-2	GRB-SN at z<0.3	GAMMA RAY BURSTER																																																																													
Exposures		<table border="1"> <thead> <tr> <th>#</th> <th>Label</th> <th>Target</th> <th>Config,Mode,Aperture</th> <th>Spectral Els.</th> <th>Opt. Params.</th> <th>Special Reqs.</th> <th>Groups</th> <th>Exp. Time/[Actual Dur.]</th> <th>Orbit</th> </tr> </thead> <tbody> <tr> <td>1</td> <td>exp-1</td> <td>(2) GRB-2</td> <td>WFPC2, IMAGE, WF3</td> <td>F606W</td> <td>CR-SPLIT=NO</td> <td></td> <td></td> <td>633.0 Secs [==>]</td> <td>[1]</td> </tr> <tr> <td>2</td> <td>exp-2</td> <td>(2) GRB-2</td> <td>WFPC2, IMAGE, WF3</td> <td>F606W</td> <td>CR-SPLIT=NO</td> <td>POS TARG 1.03,0.0</td> <td></td> <td>633.0 Secs [==>]</td> <td>[1]</td> </tr> <tr> <td>3</td> <td>exp-3</td> <td>(2) GRB-2</td> <td>WFPC2, IMAGE, WF3</td> <td>F606W</td> <td>CR-SPLIT=NO</td> <td>POS TARG 1.03,-1.03</td> <td></td> <td>633.0 Secs [==>]</td> <td>[1]</td> </tr> <tr> <td>4</td> <td>exp-4</td> <td>(2) GRB-2</td> <td>WFPC2, IMAGE, WF3</td> <td>F606W</td> <td>CR-SPLIT=NO</td> <td>POS TARG 1.03,1.03</td> <td></td> <td>633.0 Secs [==>]</td> <td>[2]</td> </tr> <tr> <td>5</td> <td>exp-5</td> <td>(2) GRB-2</td> <td>WFPC2, IMAGE, WF3</td> <td>F606W</td> <td>CR-SPLIT=NO</td> <td>POS TARG 0.0,1.03</td> <td></td> <td>633.0 Secs [==>]</td> <td>[2]</td> </tr> <tr> <td>6</td> <td>exp-6</td> <td>(2) GRB-2</td> <td>WFPC2, IMAGE, WF3</td> <td>F606W</td> <td>CR-SPLIT=NO</td> <td>POS TARG 0.0,-1.03</td> <td></td> <td>633.0 Secs [==>]</td> <td>[2]</td> </tr> </tbody> </table>										#	Label	Target	Config,Mode,Aperture	Spectral Els.	Opt. Params.	Special Reqs.	Groups	Exp. Time/[Actual Dur.]	Orbit	1	exp-1	(2) GRB-2	WFPC2, IMAGE, WF3	F606W	CR-SPLIT=NO			633.0 Secs [==>]	[1]	2	exp-2	(2) GRB-2	WFPC2, IMAGE, WF3	F606W	CR-SPLIT=NO	POS TARG 1.03,0.0		633.0 Secs [==>]	[1]	3	exp-3	(2) GRB-2	WFPC2, IMAGE, WF3	F606W	CR-SPLIT=NO	POS TARG 1.03,-1.03		633.0 Secs [==>]	[1]	4	exp-4	(2) GRB-2	WFPC2, IMAGE, WF3	F606W	CR-SPLIT=NO	POS TARG 1.03,1.03		633.0 Secs [==>]	[2]	5	exp-5	(2) GRB-2	WFPC2, IMAGE, WF3	F606W	CR-SPLIT=NO	POS TARG 0.0,1.03		633.0 Secs [==>]	[2]	6	exp-6	(2) GRB-2	WFPC2, IMAGE, WF3	F606W	CR-SPLIT=NO	POS TARG 0.0,-1.03		633.0 Secs [==>]	[2]
		#	Label	Target	Config,Mode,Aperture	Spectral Els.	Opt. Params.	Special Reqs.	Groups	Exp. Time/[Actual Dur.]	Orbit																																																																						
		1	exp-1	(2) GRB-2	WFPC2, IMAGE, WF3	F606W	CR-SPLIT=NO			633.0 Secs [==>]	[1]																																																																						
	2	exp-2	(2) GRB-2	WFPC2, IMAGE, WF3	F606W	CR-SPLIT=NO	POS TARG 1.03,0.0		633.0 Secs [==>]	[1]																																																																							
	3	exp-3	(2) GRB-2	WFPC2, IMAGE, WF3	F606W	CR-SPLIT=NO	POS TARG 1.03,-1.03		633.0 Secs [==>]	[1]																																																																							
	4	exp-4	(2) GRB-2	WFPC2, IMAGE, WF3	F606W	CR-SPLIT=NO	POS TARG 1.03,1.03		633.0 Secs [==>]	[2]																																																																							
	5	exp-5	(2) GRB-2	WFPC2, IMAGE, WF3	F606W	CR-SPLIT=NO	POS TARG 0.0,1.03		633.0 Secs [==>]	[2]																																																																							
6	exp-6	(2) GRB-2	WFPC2, IMAGE, WF3	F606W	CR-SPLIT=NO	POS TARG 0.0,-1.03		633.0 Secs [==>]	[2]																																																																								



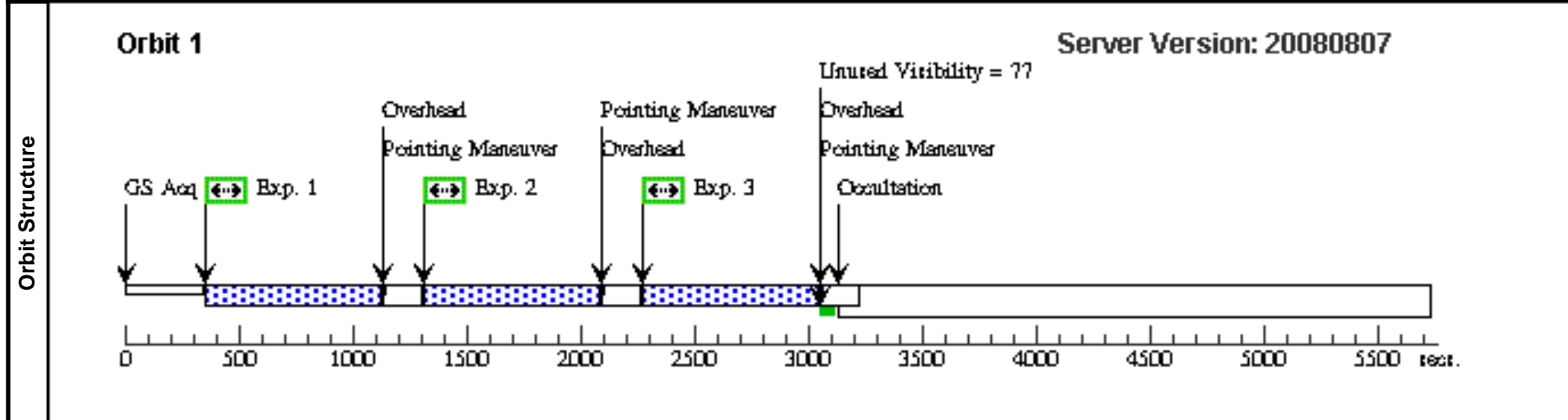
Proposal 11161 - Visit 09 - Revealing the Explosion Geometry of Nearby GRB-SNe

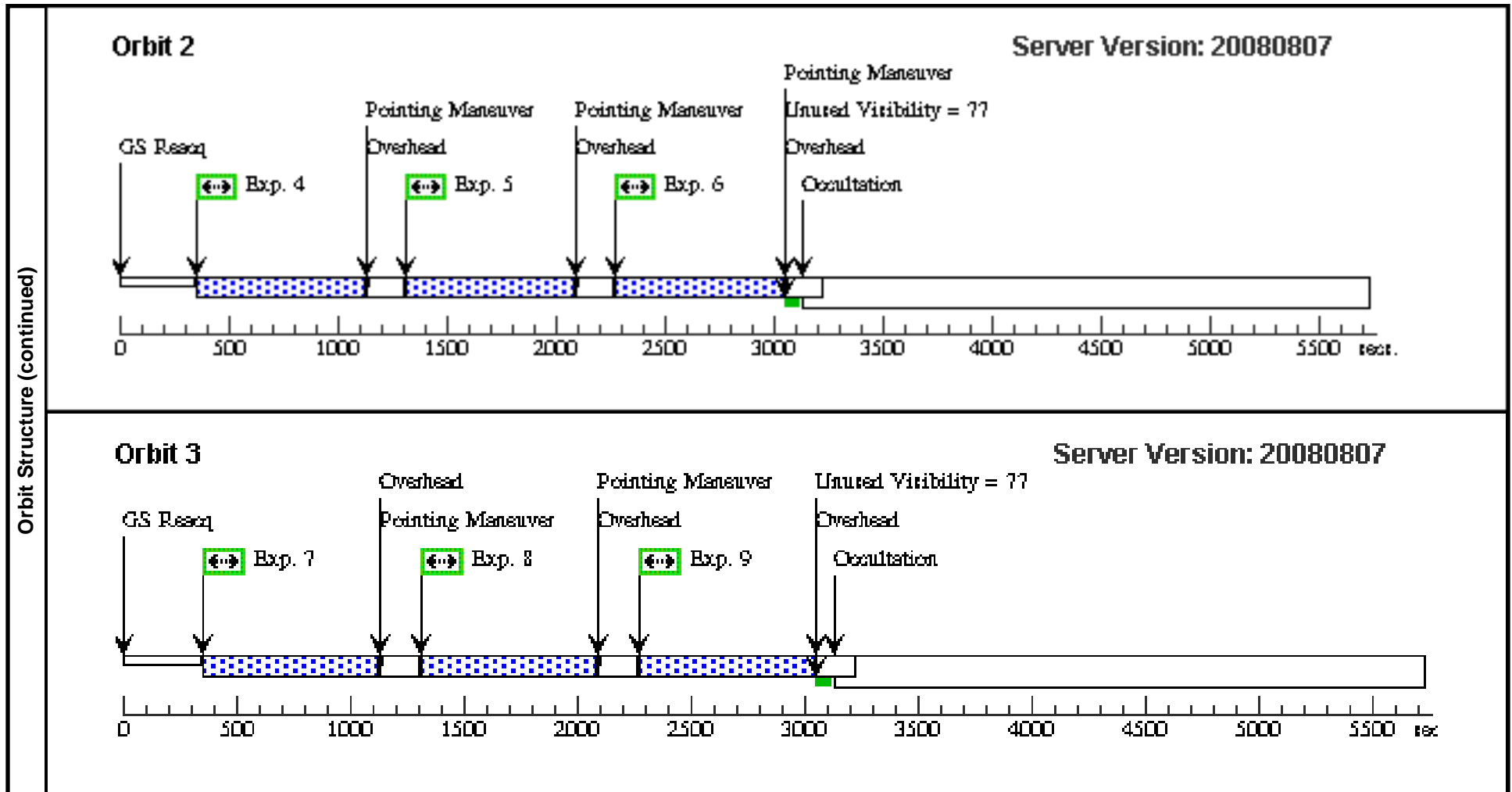
Sat Sep 20 01:02:57 GMT 2008

Visit	Proposal 11161, Visit 09, implementation Diagnostic Status: Error Scientific Instruments: WFPC2 Special Requirements: AFTER 06 BY 140.0 D TO 180.0 D <i>Comments: The is the fourth epoch for GRB-SN 2</i>										
	Diagnostics	(exp-1 (09.001)) Error (Form): Illegal use of Generic Target or ANY target. See full description for details (exp-2 (09.002)) Error (Form): Illegal use of Generic Target or ANY target. See full description for details (exp-3 (09.003)) Error (Form): Illegal use of Generic Target or ANY target. See full description for details (exp-4 (09.004)) Error (Form): Illegal use of Generic Target or ANY target. See full description for details (exp-5 (09.005)) Error (Form): Illegal use of Generic Target or ANY target. See full description for details (exp-6 (09.006)) Error (Form): Illegal use of Generic Target or ANY target. See full description for details (exp-7 (09.007)) Error (Form): Illegal use of Generic Target or ANY target. See full description for details (exp-8 (09.008)) Error (Form): Illegal use of Generic Target or ANY target. See full description for details (exp-9 (09.009)) Error (Form): Illegal use of Generic Target or ANY target. See full description for details (Visit 09) Warning (Orbit Planner): EXPOSURE TIME DECREASED FOR WFPC (Visit 09) Warning (Orbit Planner): EXPOSURE TIME DECREASED FOR WFPC (Visit 09) Warning (Orbit Planner): EXPOSURE TIME DECREASED FOR WFPC (Visit 09) Warning (Orbit Planner): EXPOSURE TIME DECREASED FOR WFPC (Visit 09) Warning (Orbit Planner): EXPOSURE TIME DECREASED FOR WFPC (Visit 09) Warning (Orbit Planner): EXPOSURE TIME DECREASED FOR WFPC (Visit 09) Warning (Orbit Planner): EXPOSURE TIME DECREASED FOR WFPC (Visit 09) Warning (Orbit Planner): EXPOSURE TIME DECREASED FOR WFPC (Visit 09) Warning (Orbit Planner): EXPOSURE TIME DECREASED FOR WFPC (Visit 09) Warning (Orbit Planner): EXPOSURE TIME DECREASED FOR WFPC									
Generic Targets		#	Name	Criteria	Description						
		(2)	GRB-2	GRB-SN at z<0.3	GAMMA RAY BURSTER						
Exposures		#	Label	Target	Config,Mode,Aperture	Spectral Els.	Opt. Params.	Special Reqs.	Groups	Exp. Time/[Actual Dur.]	Orbit
		1	exp-1	(2) GRB-2	WFPC2, IMAGE, WF3	F606W	CR-SPLIT=NO			633.0 Secs	
										[==>]	[1]
		2	exp-2	(2) GRB-2	WFPC2, IMAGE, WF3	F606W	CR-SPLIT=NO	POS TARG 1.03,0.0		633.0 Secs	
										[==>]	[1]
		3	exp-3	(2) GRB-2	WFPC2, IMAGE, WF3	F606W	CR-SPLIT=NO	POS TARG 1.03,-1.03		633.0 Secs	
										[==>]	[1]
	4	exp-4	(2) GRB-2	WFPC2, IMAGE, WF3	F606W	CR-SPLIT=NO	POS TARG 1.03,1.03		633.0 Secs		
								[==>]	[2]		

Proposal 11161 - Visit 09 - Revealing the Explosion Geometry of Nearby GRB-SNe

#	Label	Target	Config,Mode,Aperture	Spectral Els.	Opt. Params.	Special Reqs.	Groups	Exp. Time/[Actual Dur.]	Orbit
Exposures (continued)	5	exp-5	(2) GRB-2	WFPC2, IMAGE, WF3	F606W	CR-SPLIT=NO	POS TARG 0.0,1.03	633.0 Secs [==>]	[2]
	6	exp-6	(2) GRB-2	WFPC2, IMAGE, WF3	F606W	CR-SPLIT=NO	POS TARG 0.0,-1.0 3	633.0 Secs [==>]	[2]
	7	exp-7	(2) GRB-2	WFPC2, IMAGE, WF3	F606W	CR-SPLIT=NO	POS TARG -1.03,0. 0	633.0 Secs [==>]	[3]
	8	exp-8	(2) GRB-2	WFPC2, IMAGE, WF3	F606W	CR-SPLIT=NO	POS TARG -1.03,-1. 03	633.0 Secs [==>]	[3]
	9	exp-9	(2) GRB-2	WFPC2, IMAGE, WF3	F606W	CR-SPLIT=NO	POS TARG -1.03,1. 03	633.0 Secs [==>]	[3]





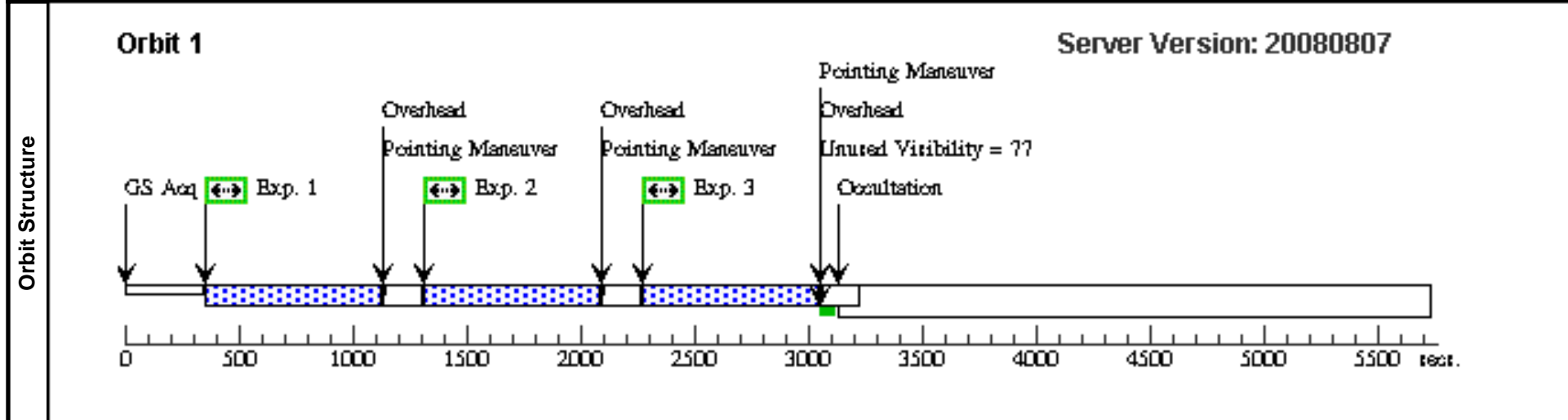
Proposal 11161 - Visit 10 - Revealing the Explosion Geometry of Nearby GRB-SNe

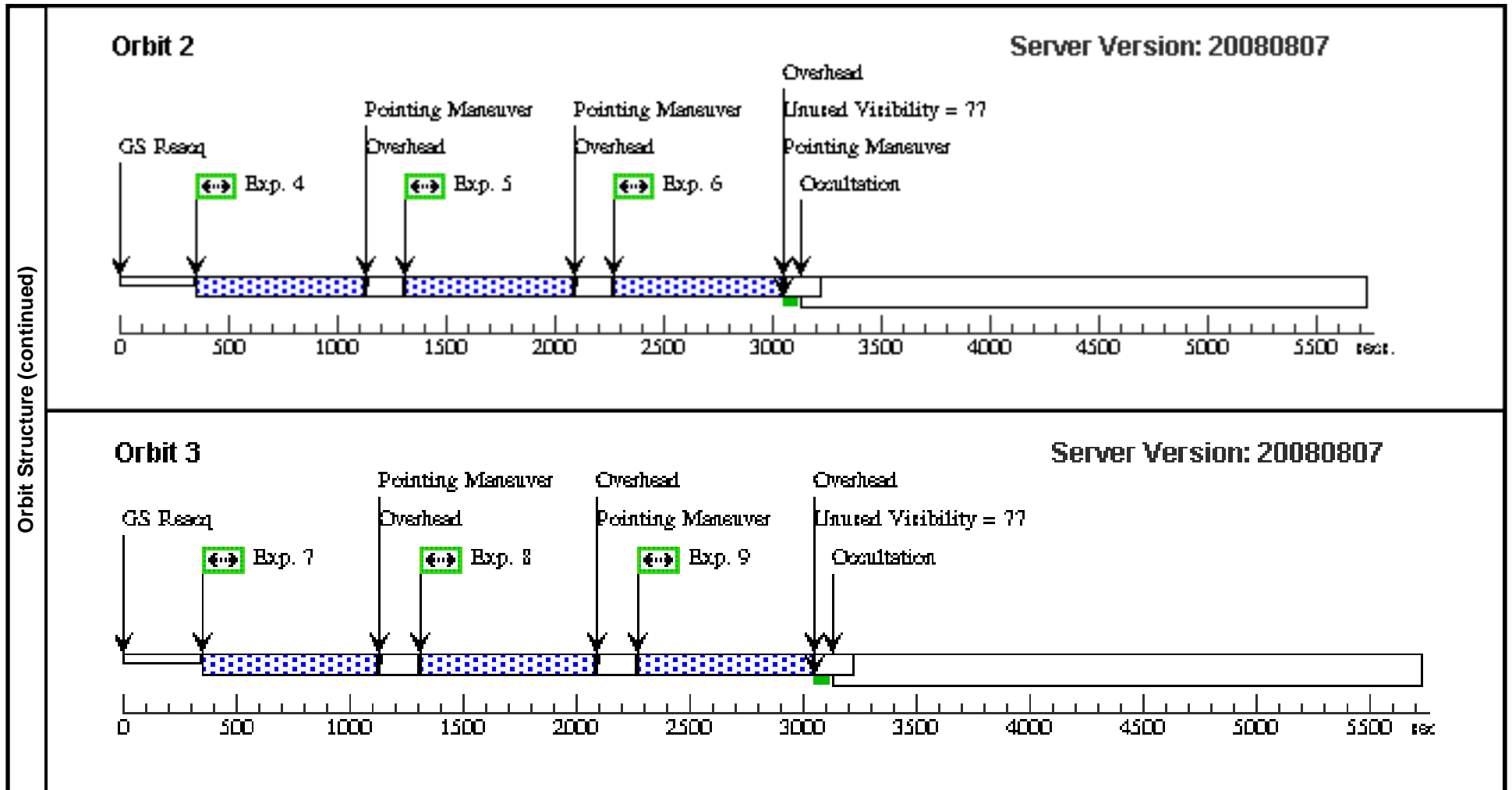
Sat Sep 20 01:02:58 GMT 2008

Visit	Proposal 11161, Visit 10, implementation Diagnostic Status: Error Scientific Instruments: WFPC2 Special Requirements: AFTER 06 BY 240.0 D TO 300.0 D <i>Comments: The is the fourth epoch for GRB-SN 2</i>										
	Diagnostics	(exp-1 (10.001)) Error (Form): Illegal use of Generic Target or ANY target. See full description for details (exp-2 (10.002)) Error (Form): Illegal use of Generic Target or ANY target. See full description for details (exp-3 (10.003)) Error (Form): Illegal use of Generic Target or ANY target. See full description for details (exp-4 (10.004)) Error (Form): Illegal use of Generic Target or ANY target. See full description for details (exp-5 (10.005)) Error (Form): Illegal use of Generic Target or ANY target. See full description for details (exp-6 (10.006)) Error (Form): Illegal use of Generic Target or ANY target. See full description for details (exp-7 (10.007)) Error (Form): Illegal use of Generic Target or ANY target. See full description for details (exp-8 (10.008)) Error (Form): Illegal use of Generic Target or ANY target. See full description for details (exp-9 (10.009)) Error (Form): Illegal use of Generic Target or ANY target. See full description for details (Visit 10) Warning (Orbit Planner): EXPOSURE TIME DECREASED FOR WFPC (Visit 10) Warning (Orbit Planner): EXPOSURE TIME DECREASED FOR WFPC (Visit 10) Warning (Orbit Planner): EXPOSURE TIME DECREASED FOR WFPC (Visit 10) Warning (Orbit Planner): EXPOSURE TIME DECREASED FOR WFPC (Visit 10) Warning (Orbit Planner): EXPOSURE TIME DECREASED FOR WFPC (Visit 10) Warning (Orbit Planner): EXPOSURE TIME DECREASED FOR WFPC (Visit 10) Warning (Orbit Planner): EXPOSURE TIME DECREASED FOR WFPC (Visit 10) Warning (Orbit Planner): EXPOSURE TIME DECREASED FOR WFPC (Visit 10) Warning (Orbit Planner): EXPOSURE TIME DECREASED FOR WFPC (Visit 10) Warning (Orbit Planner): EXPOSURE TIME DECREASED FOR WFPC									
Generic Targets		#	Name	Criteria	Description						
		(2)	GRB-2	GRB-SN at z<0.3	GAMMA RAY BURSTER						
Exposures		#	Label	Target	Config,Mode,Aperture	Spectral Els.	Opt. Params.	Special Reqs.	Groups	Exp. Time/[Actual Dur.]	Orbit
		1	exp-1	(2) GRB-2	WFPC2, IMAGE, WF3	F606W	CR-SPLIT=NO			633.0 Secs	
										[==>]	[1]
		2	exp-2	(2) GRB-2	WFPC2, IMAGE, WF3	F606W	CR-SPLIT=NO	POS TARG 1.03,0.0		633.0 Secs	
										[==>]	[1]
		3	exp-3	(2) GRB-2	WFPC2, IMAGE, WF3	F606W	CR-SPLIT=NO	POS TARG 1.03,-1.03		633.0 Secs	
										[==>]	[1]
		4	exp-4	(2) GRB-2	WFPC2, IMAGE, WF3	F606W	CR-SPLIT=NO	POS TARG 1.03,1.03		633.0 Secs	
									[==>]	[2]	

Proposal 11161 - Visit 10 - Revealing the Explosion Geometry of Nearby GRB-SNe

#	Label	Target	Config,Mode,Aperture	Spectral Els.	Opt. Params.	Special Reqs.	Groups	Exp. Time/[Actual Dur.]	Orbit
Exposures (continued)	5	exp-5	(2) GRB-2	WFPC2, IMAGE, WF3	F606W	CR-SPLIT=NO	POS TARG 0.0,1.03	633.0 Secs [==>]	[2]
	6	exp-6	(2) GRB-2	WFPC2, IMAGE, WF3	F606W	CR-SPLIT=NO	POS TARG 0.0,-1.0 3	633.0 Secs [==>]	[2]
	7	exp-7	(2) GRB-2	WFPC2, IMAGE, WF3	F606W	CR-SPLIT=NO	POS TARG -1.03,0. 0	633.0 Secs [==>]	[3]
	8	exp-8	(2) GRB-2	WFPC2, IMAGE, WF3	F606W	CR-SPLIT=NO	POS TARG -1.03,-1. 03	633.0 Secs [==>]	[3]
	9	exp-9	(2) GRB-2	WFPC2, IMAGE, WF3	F606W	CR-SPLIT=NO	POS TARG -1.03,1. 03	633.0 Secs [==>]	[3]





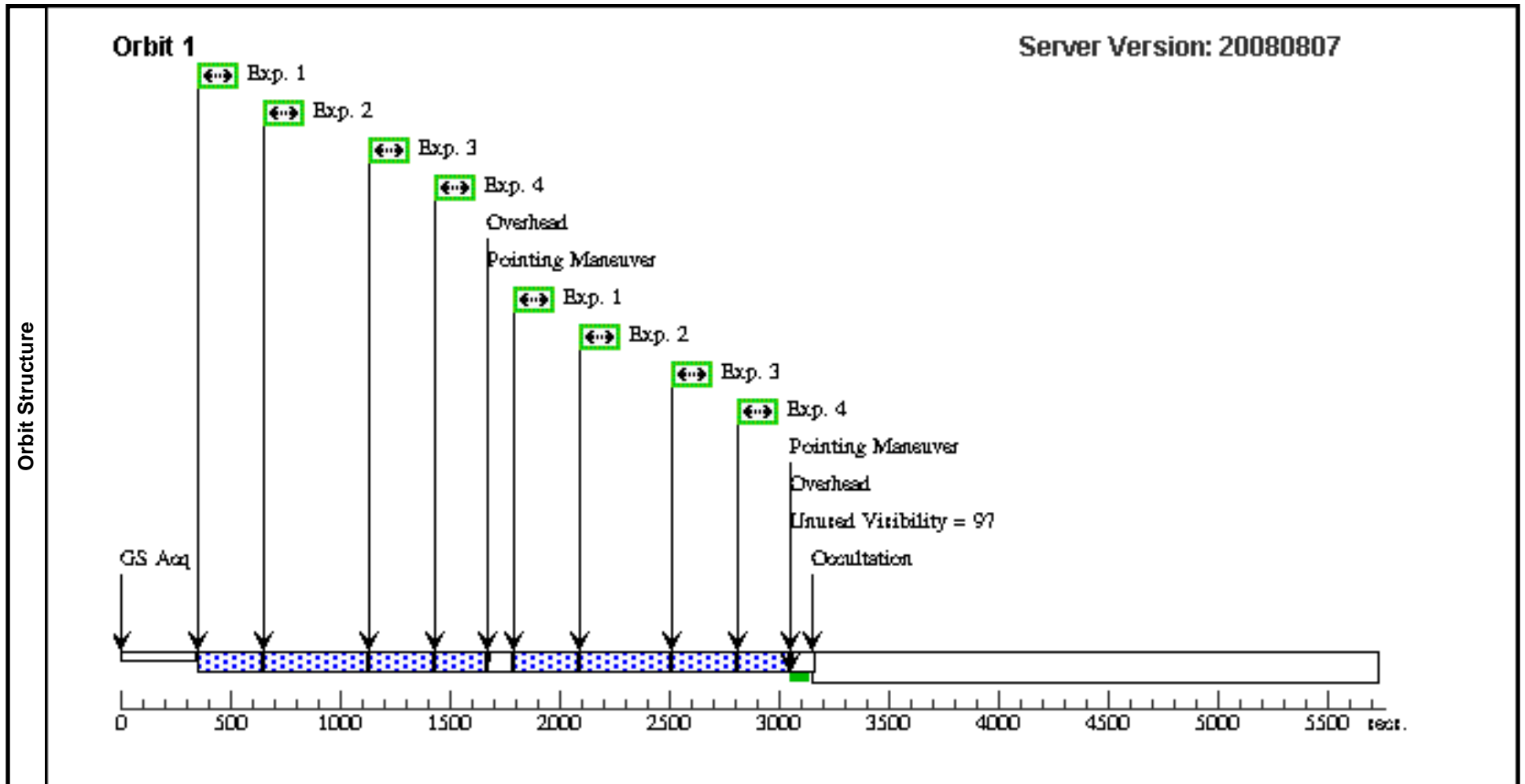
Proposal 11161 - Visit 11 - Revealing the Explosion Geometry of Nearby GRB-SNe

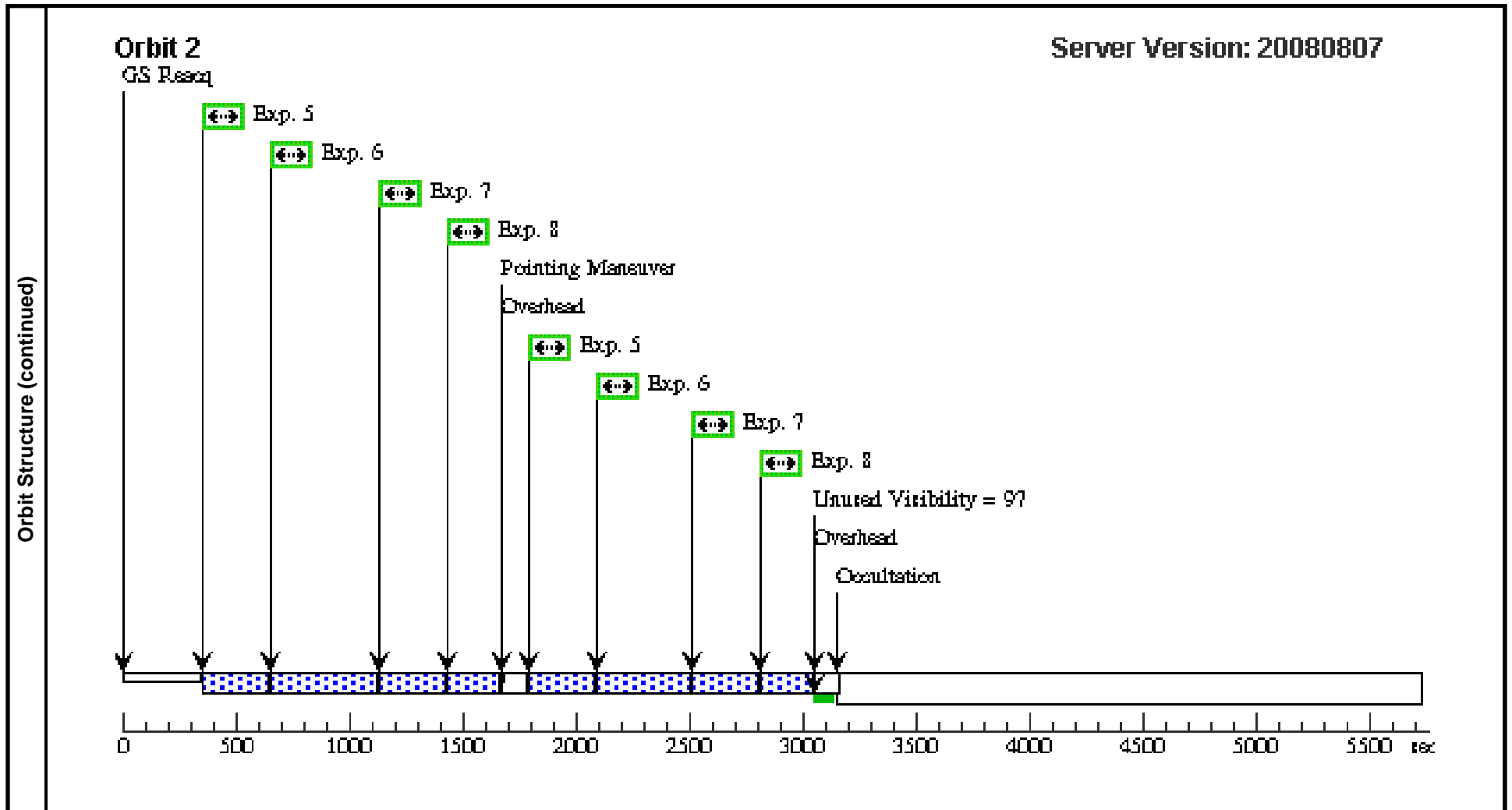
Sat Sep 20 01:02:59 GMT 2008

Visit	Proposal 11161, Visit 11, completed Diagnostic Status: Warning Scientific Instruments: WFPC2 Special Requirements: (none) <i>Comments: This is the first visit of the first epoch (1 orbit) for SN2008D</i>									
	(Visit 11) Warning (Orbit Planner): EXPOSURE TIME DECREASED FOR WFPC (Visit 11) Warning (Orbit Planner): EXPOSURE TIME DECREASED FOR WFPC (Visit 11) Warning (Orbit Planner): EXPOSURE TIME DECREASED FOR WFPC (Visit 11) Warning (Orbit Planner): EXPOSURE TIME DECREASED FOR WFPC (Visit 11) Warning (Orbit Planner): EXPOSURE TIME DECREASED FOR WFPC (Visit 11) Warning (Orbit Planner): EXPOSURE TIME DECREASED FOR WFPC (Visit 11) Warning (Orbit Planner): EXPOSURE TIME DECREASED FOR WFPC (Visit 11) Warning (Orbit Planner): EXPOSURE TIME DECREASED FOR WFPC (Visit 11) Warning (Orbit Planner): EXPOSURE TIME DECREASED FOR WFPC (Visit 11) Warning (Orbit Planner): EXPOSURE TIME DECREASED FOR WFPC (Visit 11) Warning (Orbit Planner): EXPOSURE TIME DECREASED FOR WFPC									
Diagnosics										
Patterns	#	Primary Pattern		Secondary Pattern		Exposures				
	(1)	Pattern Type=WFPC2-LINE Purpose=DITHER Number Of Points=2 Point Spacing=0.3535 Line Spacing=	Coordinate Frame=POS-TARG Pattern Orientation=45.0 Angle Between Sides= Center Pattern=false			(1-4), (5-8)				
Fixed Targets	#	Name	Target Coordinates	Targ. Coord. Corrections	Fluxes	Miscellaneous				
	(3)	SN2008D	RA: 09 09 30.6506 (137.3777108d) Dec: +33 08 20.14 (33.13893d) Equinox: J2000	Redshift: 0.006	V=18+/-1	Reference Frame: ICRS				
Exposures	#	Label	Target	Config,Mode,Aperture	Spectral Els.	Opt. Params.	Special Reqs.	Groups	Exp. Time/[Actual Dur.]	Orbit
	1	(3) SN2008D	WFPC2, IMAGE, WF3	F606W				Pattern 1-4 (1)	80.0 Secs	
									[==>(Pattern 1)]	[1]
									[==>(Pattern 2)]	
	2	(3) SN2008D	WFPC2, IMAGE, WF3	F336W				Pattern 1-4 (1)	240.0 Secs	
									[==>(Pattern 1)]	[1]
								[==>200 Secs (Pattern 2)]		
3	(3) SN2008D	WFPC2, IMAGE, WF3	F658N				Pattern 1-4 (1)	170.0 Secs		
								[==>(Pattern 1)]	[1]	
								[==>(Pattern 2)]		

Proposal 11161 - Visit 11 - Revealing the Explosion Geometry of Nearby GRB-SNe

Exposures (continued)	#	Label	Target	Config,Mode,Aperture	Spectral Els.	Opt. Params.	Special Reqs.	Groups	Exp. Time/[Actual Dur.]	Orbit
	4		(3) SN2008D	WFPC2, IMAGE, WF3	F656N			Pattern 1-4 (1)	170.0 Secs	
									[==>(Pattern 1)]	[1]
									[==>(Pattern 2)]	
	5		(3) SN2008D	WFPC2, IMAGE, WF3	F606W		POS TARG 1.03,0.0	Pattern 5-8 (1)	80.0 Secs	
									[==>(Pattern 1)]	[2]
								[==>(Pattern 2)]		
6		(3) SN2008D	WFPC2, IMAGE, WF3	F336W		POS TARG 1.03,0.0	Pattern 5-8 (1)	240.0 Secs		
								[==>(Pattern 1)]	[2]	
								[==>200 Secs (Pattern 2)]		
7		(3) SN2008D	WFPC2, IMAGE, WF3	F658N		POS TARG 1.03,0.0	Pattern 5-8 (1)	170.0 Secs		
								[==>(Pattern 1)]	[2]	
								[==>(Pattern 2)]		
8		(3) SN2008D	WFPC2, IMAGE, WF3	F656N		POS TARG 1.03,0.0	Pattern 5-8 (1)	170.0 Secs		
								[==>(Pattern 1)]	[2]	
								[==>(Pattern 2)]		

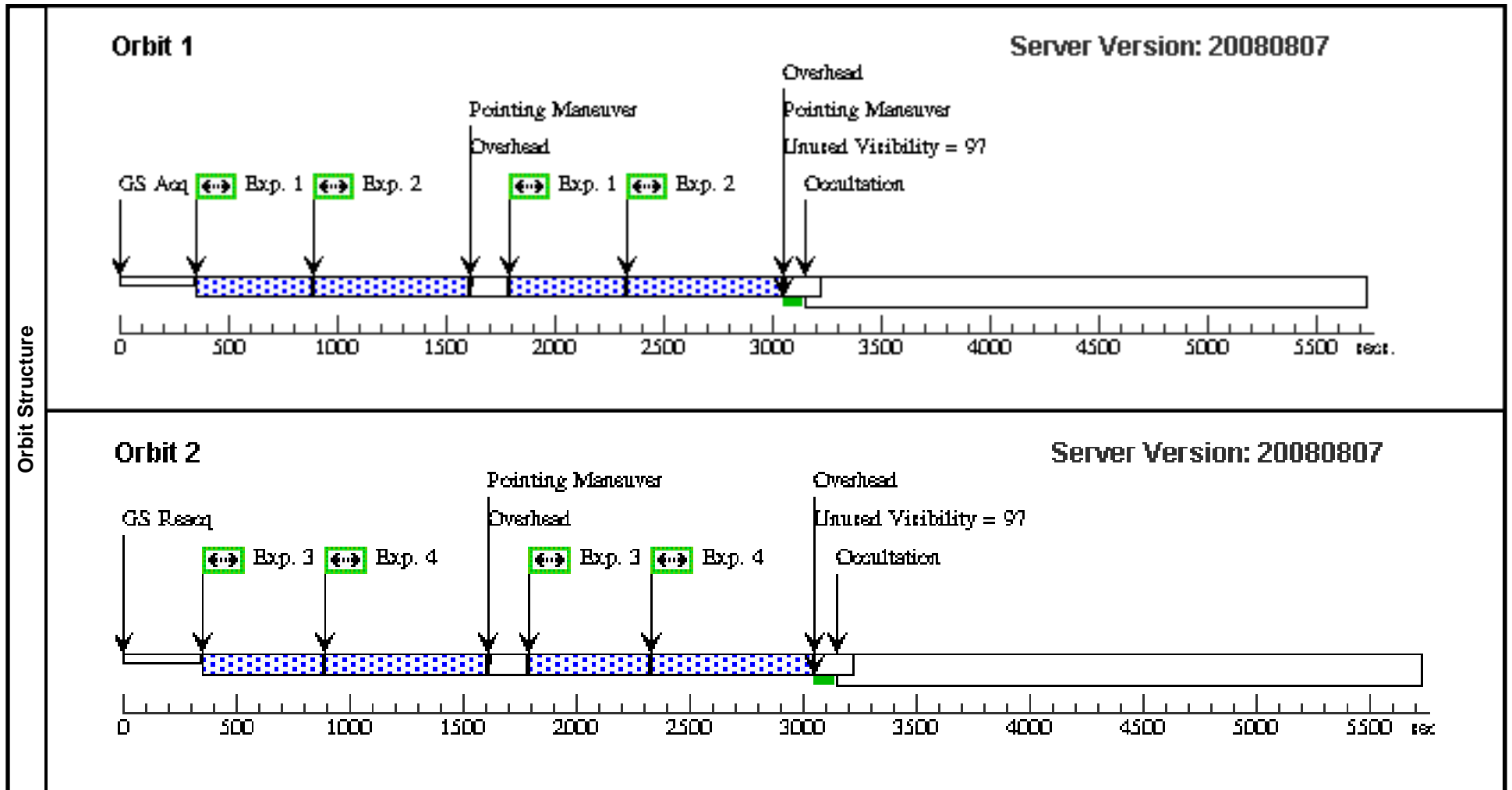




Proposal 11161 - Visit 12 - Revealing the Explosion Geometry of Nearby GRB-SNe

Sat Sep 20 01:03:00 GMT 2008

Visit	Proposal 11161, Visit 12, completed Diagnostic Status: Warning Scientific Instruments: WFPC2 Special Requirements: AFTER 11 BY 10.0 D TO 120.0 D <i>Comments: This is the second epoch , first visit (1 orbit) for SN2008D</i>									
	Diagnostics	(Visit 12) Warning (Orbit Planner): EXPOSURE TIME DECREASED FOR WFPC (Visit 12) Warning (Orbit Planner): EXPOSURE TIME DECREASED FOR WFPC								
Patterns		#	Primary Pattern				Secondary Pattern			Exposures
	(1)	Pattern Type=WFPC2-LINE Purpose=DITHER Number Of Points=2 Point Spacing=0.3535 Line Spacing=		Coordinate Frame=POS-TARG Pattern Orientation=45.0 Angle Between Sides= Center Pattern=false					(1-2), (3-4)	
Fixed Targets	#	Name	Target Coordinates		Targ. Coord. Corrections		Fluxes	Miscellaneous		
	(3)	SN2008D	RA: 09 09 30.6506 (137.3777108d) Dec: +33 08 20.14 (33.13893d) Equinox: J2000		Redshift: 0.006		V=18+/-1	Reference Frame: ICRS		
Exposures	#	Label	Target	Config,Mode,Aperture	Spectral Els.	Opt. Params.	Special Reqs.	Groups	Exp. Time/[Actual Dur.]	Orbit
	1	(3) SN2008D	WFPC2, IMAGE, WF3	F606W				Pattern 1-2 (1)	290.0 Secs [=>260.0 Secs (Pattern 1)] [=>260.0 Secs (Pattern 2)]	[1]
	2	(3) SN2008D	WFPC2, IMAGE, WF3	F336W				Pattern 1-2 (1)	600.0 Secs [=>600.0 Secs (Pattern 1)] [=>600.0 Secs (Pattern 2)]	[1]
	3	(3) SN2008D	WFPC2, IMAGE, WF3	F606W			POS TARG 1.03,0.0	Pattern 3-4 (1)	290.0 Secs [=>(Pattern 1)] [=>(Pattern 2)]	[2]
	4	(3) SN2008D	WFPC2, IMAGE, WF3	F336W			POS TARG 1.03,0.0	Pattern 3-4 (1)	600.0 Secs [=>(Pattern 1)] [=>(Pattern 2)]	[2]



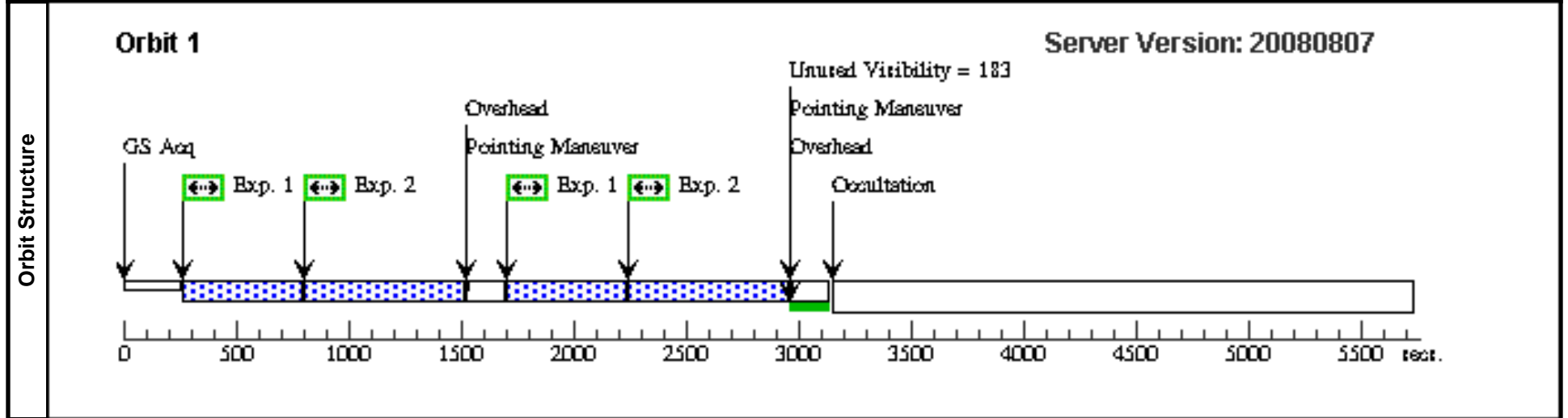
Proposal 11161 - Visit 14 - Revealing the Explosion Geometry of Nearby GRB-SNe

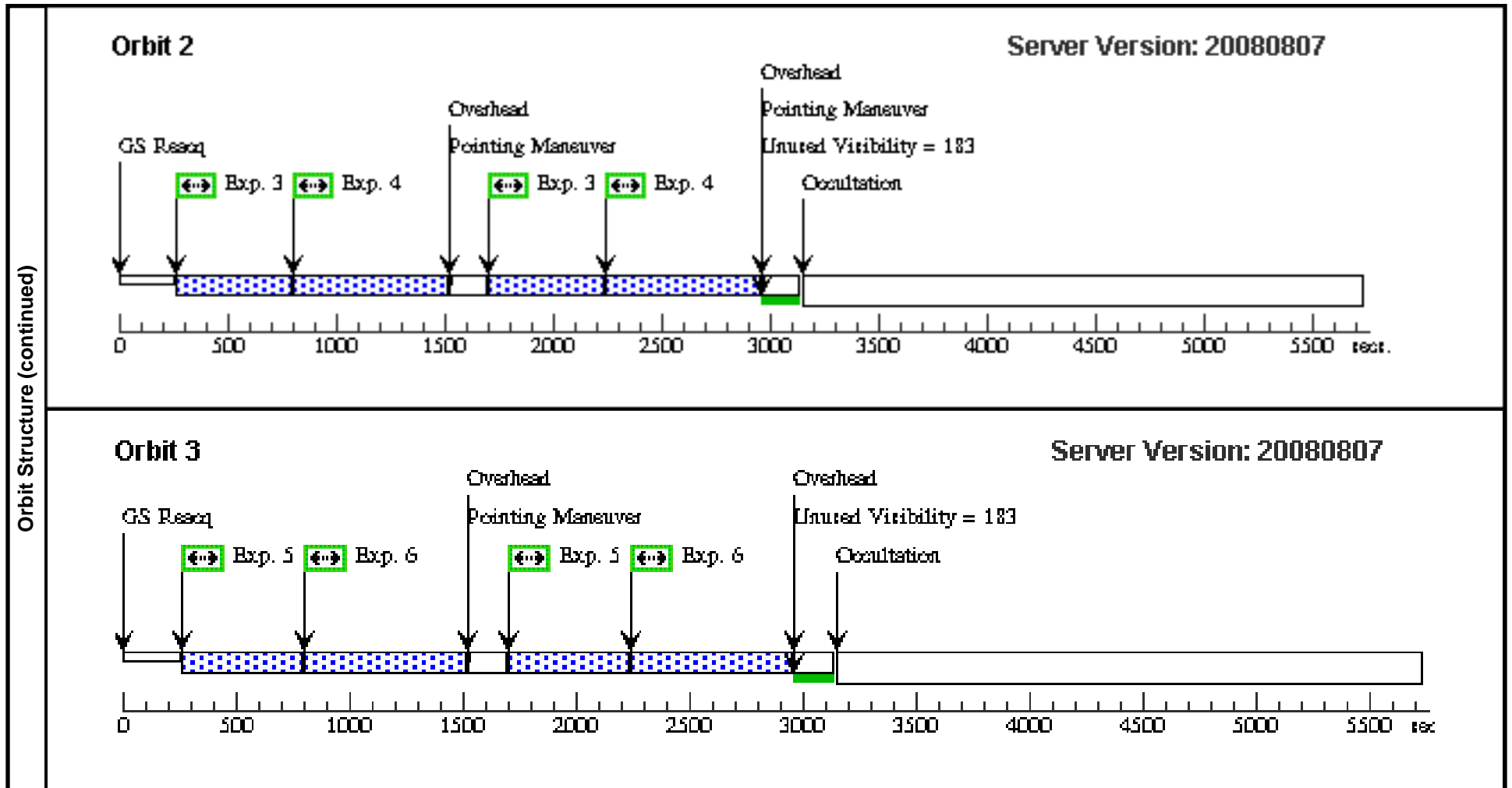
Sat Sep 20 01:03:01 GMT 2008

Visit	Proposal 11161, Visit 14, implementation Diagnostic Status: Warning Scientific Instruments: WFPC2 Special Requirements: BETWEEN 01-OCT-2008:00:00:00 AND 01-DEC-2008:00:00:00 <i>Comments: This is the fourth epoch, first visit (3 orbits) for SN2008D</i>									
	Diagnostics	(Visit 14) Warning (Orbit Planner): EXPOSURE TIME DECREASED FOR WFPC								
(Visit 14) Warning (Orbit Planner): EXPOSURE TIME DECREASED FOR WFPC										
(Visit 14) Warning (Orbit Planner): EXPOSURE TIME DECREASED FOR WFPC										
(Visit 14) Warning (Orbit Planner): EXPOSURE TIME DECREASED FOR WFPC										
Patterns	#	Primary Pattern				Secondary Pattern			Exposures	
	(1)	Pattern Type=WFPC2-LINE		Coordinate Frame=POS-TARG					(1-2), (3-4), (5-6)	
		Purpose=DITHER		Pattern Orientation=45.0						
		Number Of Points=2		Angle Between Sides=						
		Point Spacing=0.3535		Center Pattern=false						
		Line Spacing=								
Fixed Targets	#	Name	Target Coordinates		Targ. Coord. Corrections		Fluxes		Miscellaneous	
	(3)	SN2008D	RA: 09 09 30.6506 (137.3777108d) Dec: +33 08 20.14 (33.13893d) Equinox: J2000		Redshift: 0.006		V=18+/-1		Reference Frame: ICRS	
Exposures	#	Label	Target	Config,Mode,Aperture	Spectral Els.	Opt. Params.	Special Reqs.	Groups	Exp. Time/[Actual Dur.]	Orbit
	1	(3) SN2008D	WFPC2, IMAGE, WF4	F606W			GS ACQ SCENARI O ONEBIT3	Pattern 1-2 (1)	290.0 Secs [=>260.0 Secs (Pattern 1)] [=>260.0 Secs (Pattern 2)]	[1]
	2	(3) SN2008D	WFPC2, IMAGE, WF4	F336W				Pattern 1-2 (1)	600.0 Secs [=>600.0 Secs (Pattern 1)] [=>600.0 Secs (Pattern 2)]	[1]
	3	(3) SN2008D	WFPC2, IMAGE, WF4	F606W			POS TARG 1.03,0.0	Pattern 3-4 (1)	290.0 Secs [=>(Pattern 1)] [=>(Pattern 2)]	[2]
	4	(3) SN2008D	WFPC2, IMAGE, WF4	F336W			POS TARG 1.03,0.0	Pattern 3-4 (1)	600.0 Secs [=>(Pattern 1)] [=>(Pattern 2)]	[2]
	5	(3) SN2008D	WFPC2, IMAGE, WF4	F606W			POS TARG 1.03,-1.03	Pattern 5-6 (1)	290.0 Secs [=>(Pattern 1)] [=>(Pattern 2)]	[3]

Proposal 11161 - Visit 14 - Revealing the Explosion Geometry of Nearby GRB-SNe

Exposures (continued)	#	Label	Target	Config, Mode, Aperture	Spectral Els.	Opt. Params.	Special Reqs.	Groups	Exp. Time/[Actual Dur.]	Orbit
	6	(3) SN2008D	WFPC2, IMAGE, WF4	F336W	POS TARG 1.03,-1.03	Pattern 5-6 (1)	600.0 Secs	[=>(Pattern 1)]	[=>(Pattern 2)]	[3]





Proposal 11161 - Visit 15 - Revealing the Explosion Geometry of Nearby GRB-SNe

Sat Sep 20 01:03:01 GMT 2008

Visit	Proposal 11161, Visit 15, implementation Diagnostic Status: Warning Scientific Instruments: WFPC2 Special Requirements: BETWEEN 01-JAN-2009:00:00:00 AND 01-APR-2009:00:00:00 <i>Comments: This is the fifth epoch , first visit (3 orbits) for SN2008D</i>									
	Diagnostics	(Visit 15) Warning (Orbit Planner): EXPOSURE TIME DECREASED FOR WFPC								
(Visit 15) Warning (Orbit Planner): EXPOSURE TIME DECREASED FOR WFPC										
(Visit 15) Warning (Orbit Planner): EXPOSURE TIME DECREASED FOR WFPC										
(Visit 15) Warning (Orbit Planner): EXPOSURE TIME DECREASED FOR WFPC										
Patterns	#	Primary Pattern				Secondary Pattern				Exposures
	(1)	Pattern Type=WFPC2-LINE		Coordinate Frame=POS-TARG						(1-2), (3-4), (5-6)
		Purpose=DITHER		Pattern Orientation=45.0						
		Number Of Points=2		Angle Between Sides=						
		Point Spacing=0.3535		Center Pattern=false						
		Line Spacing=								
Fixed Targets	#	Name	Target Coordinates		Targ. Coord. Corrections		Fluxes		Miscellaneous	
	(3)	SN2008D	RA: 09 09 30.6506 (137.3777108d) Dec: +33 08 20.14 (33.13893d) Equinox: J2000		Redshift: 0.006		V=18+/-1		Reference Frame: ICRS	
Exposures	#	Label	Target	Config,Mode,Aperture	Spectral Els.	Opt. Params.	Special Reqs.	Groups	Exp. Time/[Actual Dur.]	Orbit
	1	(3) SN2008D	WFPC2, IMAGE, WF3	F606W				Pattern 1-2 (1)	290.0 Secs	
										[1]
										[2]
										[3]
	2	(3) SN2008D	WFPC2, IMAGE, WF3	F336W				Pattern 1-2 (1)	600.0 Secs	
										[1]
									[2]	
3	(3) SN2008D	WFPC2, IMAGE, WF3	F606W			POS TARG 1.03,0.0	Pattern 3-4 (1)	290.0 Secs		
									[2]	
									[3]	
4	(3) SN2008D	WFPC2, IMAGE, WF3	F336W			POS TARG 1.03,0.0	Pattern 3-4 (1)	600.0 Secs		
									[2]	
									[3]	
5	(3) SN2008D	WFPC2, IMAGE, WF3	F606W			POS TARG 1.03,-1.03	Pattern 5-6 (1)	290.0 Secs		
									[3]	
									[4]	

Proposal 11161 - Visit 15 - Revealing the Explosion Geometry of Nearby GRB-SNe

Exposures (continued)	#	Label	Target	Config, Mode, Aperture	Spectral Els.	Opt. Params.	Special Reqs.	Groups	Exp. Time/[Actual Dur.]	Orbit
	6	(3) SN2008D	WFPC2, IMAGE, WF3	F336W	POS TARG 1.03,-1.03	Pattern 5-6 (1)	600.0 Secs	[=>(Pattern 1)]	[=>(Pattern 2)]	[3]

