



11206 - At the cradle of the Milky Way: Formation of the most massive field disk galaxies at $z>1$

Cycle: 16, Proposal Category: GO
(Availability Mode: SUPPORTED)

INVESTIGATORS

<i>Name</i>	<i>Institution</i>	<i>E-Mail</i>
Dr. Kai G. Noeske (PI)	Smithsonian Institution Astrophysical Observatory	knoeske@cfa.harvard.edu
Dr. David C. Koo (CoI)	University of California - Santa Cruz	koo@ucolick.org
Dr. Anne Metevier (CoI)	University of California - Santa Cruz	anne@ucolick.org
Dr. Aaron A. Dutton (CoI)	University of California - Santa Cruz	
Dr. Benjamin Weiner (CoI)	University of Arizona	bjw@as.arizona.edu
Mr. Michael Cooper (CoI)	University of California - Berkeley	cooper@astro.berkeley.edu
Dr. Susan A. Kassin (CoI)	University of California - Santa Cruz	kassin@ucolick.org
Dr. Andrew C. Phillips (CoI)	University of California - Santa Cruz	phillips@ucolick.org

VISITS

<i>Visit</i>	<i>Targets used in Visit</i>	<i>Configurations used in Visit</i>	<i>Orbits Used</i>	<i>Last Orbit Planner Run</i>	<i>OP Current with Visit?</i>
01	(1) GAL-141722+523937	WFPC2	2	19-May-2008 21:00:53.0	yes
02	(2) GAL-232722+000346	WFPC2	2	19-May-2008 21:00:58.0	yes
03	(3) GAL-232626+000458	WFPC2	2	19-May-2008 21:01:01.0	yes
04	(4) GAL-232539+000527	WFPC2	2	19-May-2008 21:01:04.0	yes
05	(5) GAL-232802+001638	WFPC2	2	19-May-2008 21:01:06.0	yes

<i>Visit</i>	<i>Targets used in Visit</i>	<i>Configurations used in Visit</i>	<i>Orbits Used</i>	<i>Last Orbit Planner Run</i>	<i>OP Current with Visit?</i>
06	(6) GAL-232837+001821	WFPC2	2	19-May-2008 21:01:09.0	yes
08	(8) GAL-233347+000532	WFPC2	2	19-May-2008 21:01:12.0	yes
09	(9) GAL-233138+000911	WFPC2	2	19-May-2008 21:01:15.0	yes
10	(10) GAL-022635+002641	WFPC2	2	19-May-2008 21:01:17.0	yes
11	(11) GAL-022832+003141	WFPC2	2	19-May-2008 21:01:19.0	yes
12	(12) GAL-023031+002317	WFPC2	2	19-May-2008 21:01:21.0	yes
13	(13) GAL-022936+002507	WFPC2	2	19-May-2008 21:01:24.0	yes
14	(14) GAL-023057+002943	WFPC2	2	19-May-2008 21:01:26.0	yes
15	(15) GAL-022835+003448	WFPC2	2	19-May-2008 21:01:28.0	yes
16	(6) GAL-232837+001821	WFPC2	2	19-May-2008 21:01:30.0	yes

30 Total Orbits Used

ABSTRACT

We propose to obtain 2 orbit WFPC2 F814W images of a sample of the 15 most massive galaxies found at $1 < z < 1.3$. These were culled from over 20,000 Keck spectra collected as part of DEEP and are unique among high redshift massive galaxy samples in being kinematically selected.

Through a recent HST NICMOS-2 imaging program (GO-10532), we have confirmed that these galaxies have regular stellar disks, and their emission line kinematics are not due to gradients from merging components. These potentially very young galaxies are likely precursors to massive local disks, assuming no further merging.

The proposed WFPC2 and existing NIC-2 data provide colors, stellar masses, and ages of bulge and disk subcomponents, to assess whether old stellar bulges and disks are in place at that time or still being built, and constrain their formation epochs. Finally, this sample will yield the first statistically significant results on the $z > 1$ evolution of the size-velocity-luminosity scaling relations, for massive galaxies at different

wavelengths, and constrain whether this evolution reflects stellar mass growth, or passive evolution, of either bulge or disk components.

OBSERVING DESCRIPTION

UPDATE 16 MAY 2008: this is a changed version of the Phase II proposal. After completion of visits 1, 3, 6, data inspection points to a need for greater depth. Hence, the remaining visits will be observed on the WF3 detector rather than the PC, observing 2 orbits F814W data for each target, instead of 1 orbit F814W and F606W each. We adopt the 4-point WFPC2 standard dither pattern. A POS-TARG argument is used to move the targets closer to detector row 1, to moderate CTE losses.

One target (7 observed on visit 7) will be dropped from the sample. The free orbits will be used to reobserve our most important target no. 6 (visit 6) in the above described new configuration. The new visit 16 holds target 6 .

The ORIENT constraints for bright object avoidance are updated for the new instrument setup and target position.

-----PRE-UPDATE Description from here on-----

This project images 15 disk galaxies from the DEEP2 survey at redshifts 1 to 1.3 using WFPC2, each for one orbit in the F606W and one orbit in the F814W filter. Both orbits are put into the same visit.

We place the targets on PC1 chip. This makes dithering with a sub-pixel step, to increase resolution, obsolete, and avoids the resulting difficulties of removing CRs in MultiDrizzle from a limited number of sub-pixel-dithered subexposures. Instead, we dither by integer PC1 pixels (dither step is 12 pixels in x and y) to allow for removal of bad pixels. This dither step translates to a dither step of 5.5 pixels in x and y on the WF2-4 detectors, such that the serendipitous targets in the DEEP2 fields, picked up on the WF detectors, receive some sub-pixel dithering.

The dither pattern is a 3-step dither line; the pattern is centered.

The primary targets are not placed at the nominal PC1-FIX aperture position. To moderate CTE effects, they are moved closer to the amplifier (lower

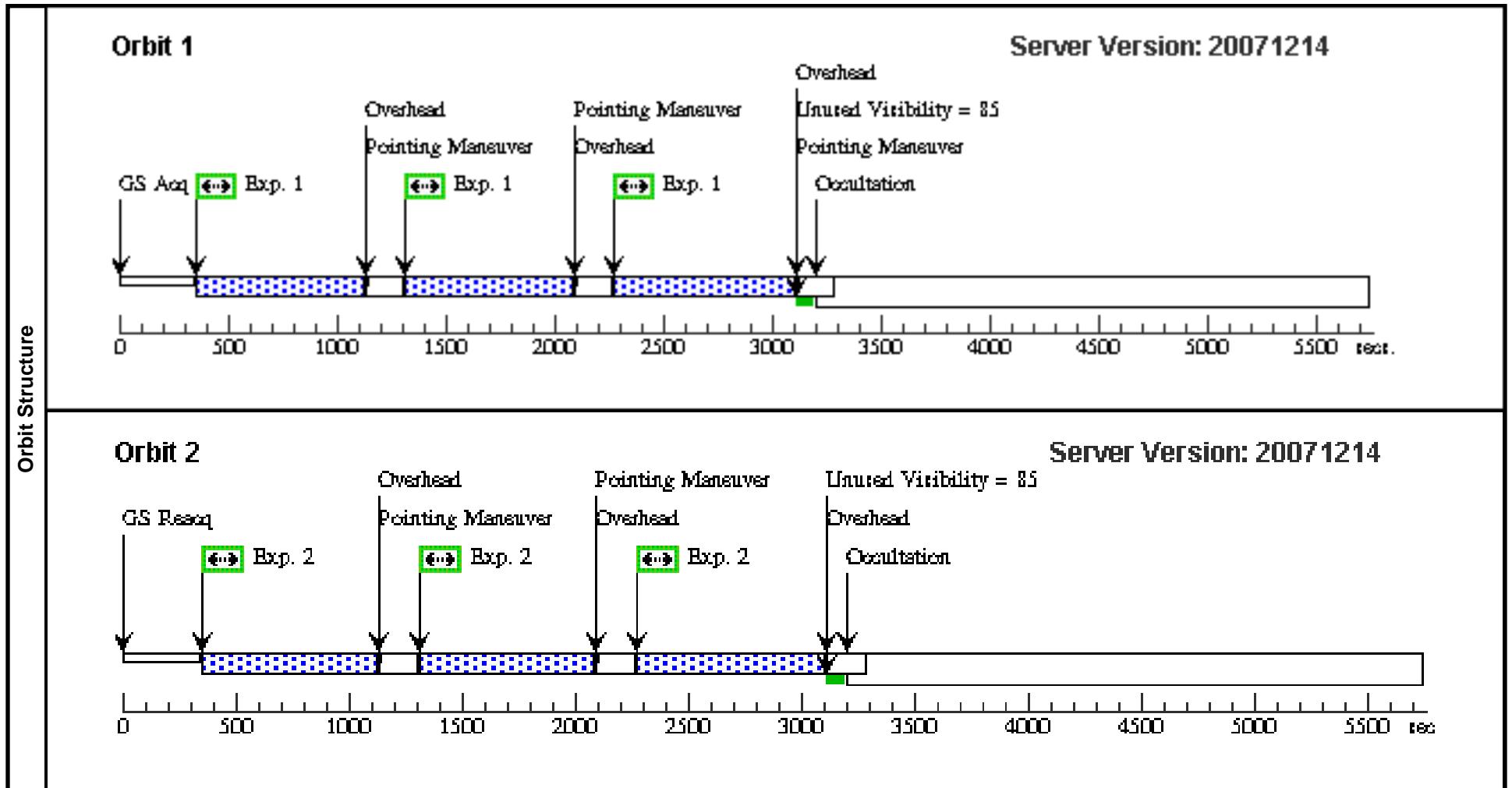
PC1 Y pixel row number), using a POS-TARG offset. The offset (POS-TARG Y = -5.46 arcsec, placing the center of the target at roughly Y=300) is chosen such that the entire target (maximum expected radius ~3.5 arcsec) is well outside the vignetted region at low row numbers, allowing for a worst-case position uncertainty of 2 arcsec, and leaving 1 arcsec of unvignetted sky region between the target edge and the vignetted detector rows.

Most visits have multiple ORIENT requirements. These are to avoid artifacts from intermediately to bright field stars (~11-18 V mag) identified by the bright object tool. The selected ORIENTS avoid blooming, bright stars on the regions prone to scatter light onto the detectors, and OTA diffraction spikes which can extend out to several arcmin and damage our faint primary targets. If these ORIENTs make scheduling challenging or impossible, or strongly delay the observing dates, they can in many cases be relaxed. Please contact K. Noeske if necessary.

Proposal 11206 - Visit 01 - At the cradle of the Milky Way: Formation of the most massive field disk galaxies at $z > 1$

Tue May 20 01:01:33 GMT 2008

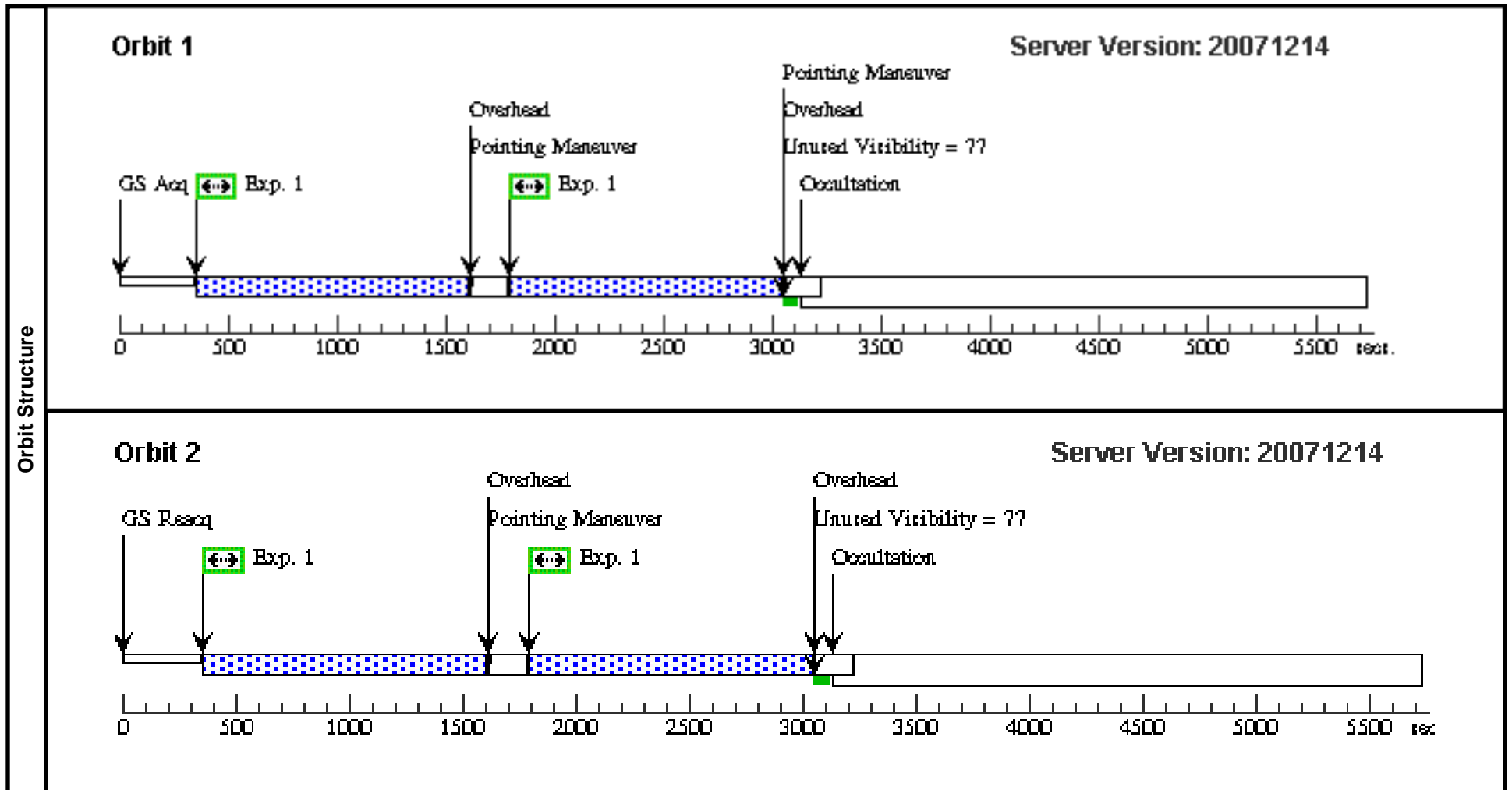
Visit	Proposal 11206, Visit 01, completed Diagnostic Status: Warning Scientific Instruments: WFPC2 Special Requirements: ORIENT 350.0D TO 10.0 D; ORIENT 124.0D TO 150.0 D; ORIENT 170.0D TO 190.0 D; ORIENT 230.0D TO 240.0 D									
	Diagnostics	(DEEP2-12021033-WFPC2-I (01.001) special requirements) Warning (Form): Be very careful mixing POS TARG and Center_Pattern = Yes (DEEP2-12021033-WFPC2-V (01.002) special requirements) Warning (Form): Be very careful mixing POS TARG and Center_Pattern = Yes								
Patterns		#	Primary Pattern				Secondary Pattern			
	(1)	Pattern Type=LINE Purpose=DITHER Number Of Points=3 Point Spacing=0.772161 Line Spacing=	Coordinate Frame=POS-TARG Pattern Orientation=45.0 Angle Between Sides= Center Pattern=true					(1), (2)		
Fixed Targets	#	Name	Target Coordinates	Targ. Coord. Corrections			Fluxes	Miscellaneous		
	(1)	GAL-141722+523937 Alt Name1: DEEP2-12021033	RA: 14 17 21.5100 (214.3396250d) Dec: +52 39 36.00 (52.66000d) Equinox: J2000				V=23.6 B(Vega)=24.00, R(Vega) = 23.10, I(Vega)=22.28	Reference Frame: ICRS		
Exposures	#	Label	Target	Config,Mode,Aperture	Spectral Els.	Opt. Params.	Special Reqs.	Groups	Exp. Time/[Actual Dur.]	Orbit
	1	DEEP2-120 21033-WFP C2-I	(1) GAL-141722+52 3937	WFPC2, IMAGE, PC1-FIX	F814W	CR-SPLIT=NO; ATD-GAIN=7	POS TARG 0.0,-5.4 6	Pattern 1-1 (1)	600.0 Secs [==>(Pattern 1)] [==>(Pattern 2)] [==>700.0 Secs (Pattern 3)]	[1]
2	DEEP2-120 21033-WFP C2-V	(1) GAL-141722+52 3937	WFPC2, IMAGE, PC1-FIX	F606W	CR-SPLIT=NO; ATD-GAIN=7	POS TARG 0.0,-5.4 6	Pattern 2-2 (1)	600.0 Secs [==>600.0 Secs (Pattern 1)] [==>600.0 Secs (Pattern 2)] [==>700.0 Secs (Pattern 3)]	[2]	



Proposal 11206 - Visit 02 - At the cradle of the Milky Way: Formation of the most massive field disk galaxies at z>1

Tue May 20 01:01:34 GMT 2008

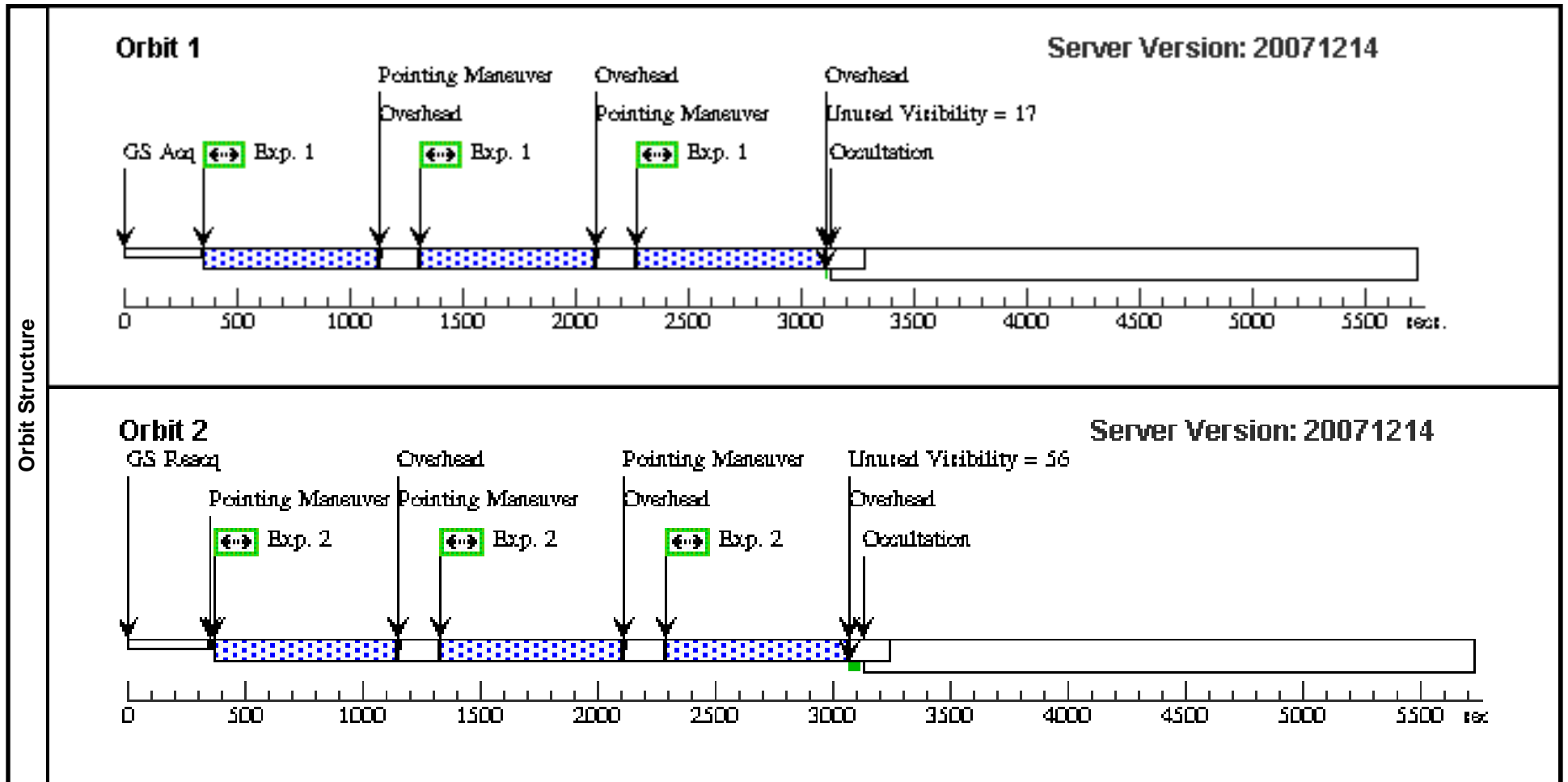
Visit	Proposal 11206, Visit 02, implementation Diagnostic Status: Warning Scientific Instruments: WFPC2 Special Requirements: ORIENT 6D TO 30 D; ORIENT 41D TO 58 D; ORIENT 64D TO 75 D; ORIENT 93.5D TO 147 D; ORIENT 156D TO 164 D; ORIENT 172D TO 176 D; ORIENT 185D TO 236 D; ORIENT 247D TO 256 D; ORIENT 272D TO 328 D; ORIENT 336.5D TO 343 D										
	(DEEP2-31019775-WFPC2-I (02.001) special requirements) Warning (Form): Be very careful mixing POS TARG and Center_Pattern = Yes										
Diagnosics											
Patterns	#	Primary Pattern				Secondary Pattern				Exposures	
	(2)	Pattern Type=WFPC2-BOX Purpose=DITHER Number Of Points=4 Point Spacing=0.559017 Line Spacing=0.559017		Coordinate Frame=POS-TARG Pattern Orientation=26.56505 Angle Between Sides=143.130102 Center Pattern=true						(1)	
Fixed Targets	#	Name	Target Coordinates		Targ. Coord. Corrections		Fluxes		Miscellaneous		
	(2)	GAL-232722+000346 Alt Name1: DEEP2-31019775	RA: 23 27 21.7800 (351.8407500d) Dec: +00 03 45.50 (.06264d) Equinox: J2000				V=22.4 B(Vega)=22.77, R(Vega)=22.04, I(Vega)=21.22		Reference Frame: ICRS		
Exposures	#	Label	Target	Config,Mode,Aperture	Spectral Els.	Opt. Params.	Special Reqs.	Groups	Exp. Time/[Actual Dur.]		Orbit
	1	DEEP2-310 19775-WFP C2-I	(2) GAL-232722+00 0346	WFPC2, IMAGE, WF3-FIX	F814W	CR-SPLIT=NO; ATD-GAIN=7	POS TARG 0,25	Pattern 1-1 (2)	900 Secs		
									[==>1100.0 Secs (Pattern 1)]		[1]
									[==>1100.0 Secs (Pattern 2)]		[2]



Proposal 11206 - Visit 03 - At the cradle of the Milky Way: Formation of the most massive field disk galaxies at $z > 1$

Tue May 20 01:01:34 GMT 2008

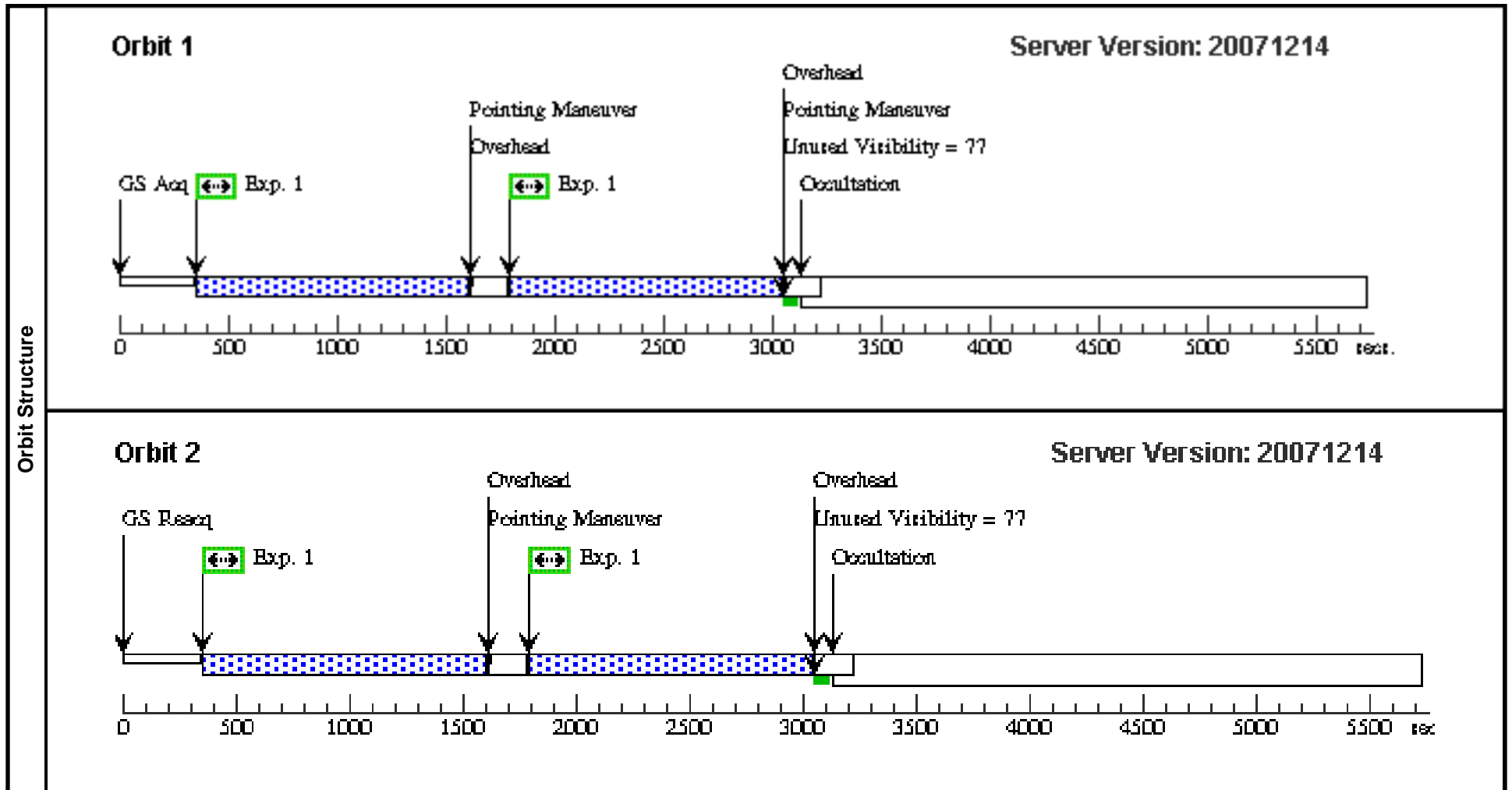
Visit	Proposal 11206, Visit 03, completed Diagnostic Status: Warning Scientific Instruments: WFPC2 Special Requirements: ORIENT 350.0D TO 38.0 D; ORIENT 74.0D TO 146.0 D; ORIENT 158.0D TO 235.0 D; ORIENT 245.0D TO 256.0 D; ORIENT 280.0D TO 300.0 D										
	(DEEP2-31022067-WFPC2-I (03.001) special requirements) Warning (Form): Be very careful mixing POS TARG and Center_Pattern = Yes (DEEP2-31022067-WFPC2-V (03.002) special requirements) Warning (Form): Be very careful mixing POS TARG and Center_Pattern = Yes										
Diagnosics											
Patterns	#	Primary Pattern				Secondary Pattern				Exposures	
	(1)	Pattern Type=LINE		Coordinate Frame=POS-TARG						(1), (2)	
		Purpose=DITHER		Pattern Orientation=45.0							
		Number Of Points=3		Angle Between Sides=							
		Point Spacing=0.772161		Center Pattern=true							
		Line Spacing=									
Fixed Targets	#	Name	Target Coordinates		Targ. Coord. Corrections		Fluxes		Miscellaneous		
	(3)	GAL-232626+000458	RA: 23 26 26.2000 (351.6091667d)				V=23.5		Reference Frame: ICRS		
		Alt Name1: DEEP2-31022067	Dec: +00 04 58.30 (.08286d)				B(Vega)=23.89,				
			Equinox: J2000				R(Vega)=22.95,				
							I(Vega)=22.22				
Exposures	#	Label	Target	Config,Mode,Aperture	Spectral Els.	Opt. Params.	Special Reqs.	Groups	Exp. Time/[Actual Dur.]	Orbit	
	1	DEEP2-310 22067-WFP C2-I	(3) GAL-232626+00 0458	WFPC2, IMAGE, PC1-FIX	F814W	CR-SPLIT=NO; ATD-GAIN=7	POS TARG 0.0,-5.4 6	Pattern 1-1 (1)	600.0 Secs		
										[1]	
								[=>(Pattern 1)]			
								[=>(Pattern 2)]			
								[=>700.0 Secs (Pattern 3)]			
2	DEEP2-310 22067-WFP C2-V	(3) GAL-232626+00 0458	WFPC2, IMAGE, PC1-FIX	F606W	CR-SPLIT=NO; ATD-GAIN=7	POS TARG 0.0,-5.4 6	Pattern 2-2 (1)	600.0 Secs			
									[2]		
								[=>600.0 Secs (Pattern 1)]			
								[=>600.0 Secs (Pattern 2)]			
								[=>600.0 Secs (Pattern 3)]			



Proposal 11206 - Visit 04 - At the cradle of the Milky Way: Formation of the most massive field disk galaxies at z>1

Tue May 20 01:01:35 GMT 2008

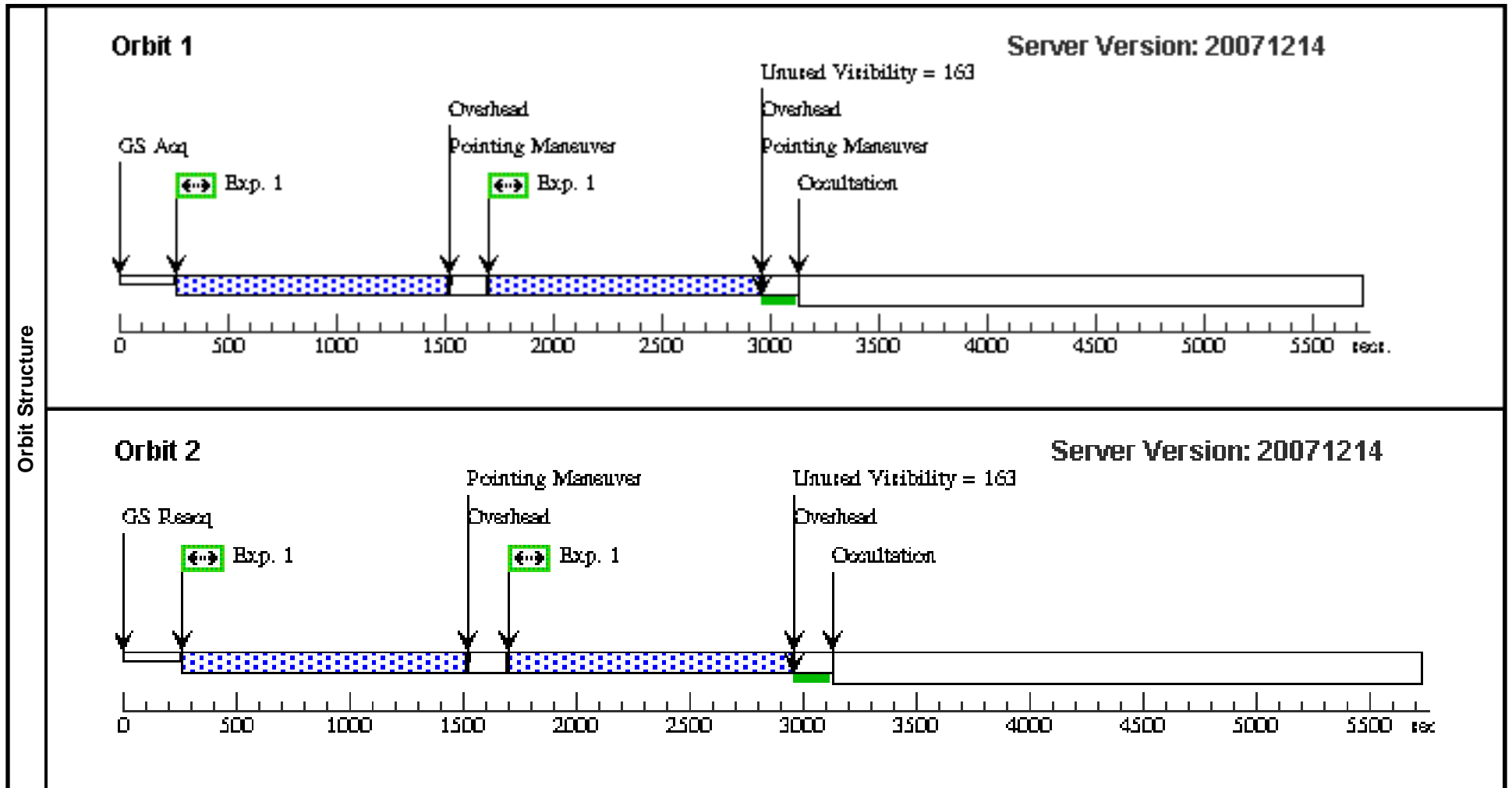
Visit	Proposal 11206, Visit 04, implementation Diagnostic Status: Warning Scientific Instruments: WFPC2 Special Requirements: ORIENT 232.5D TO 237.5 D; ORIENT 246.5D TO 253 D										
	(DEEP2-31023355-WFPC2-I (04.001) special requirements) Warning (Form): Be very careful mixing POS TARG and Center_Pattern = Yes										
Diagnosics											
Patterns	#	Primary Pattern				Secondary Pattern				Exposures	
	(2)	Pattern Type=WFPC2-BOX Purpose=DITHER Number Of Points=4 Point Spacing=0.559017 Line Spacing=0.559017		Coordinate Frame=POS-TARG Pattern Orientation=26.56505 Angle Between Sides=143.130102 Center Pattern=true						(1)	
Fixed Targets	#	Name	Target Coordinates		Targ. Coord. Corrections		Fluxes		Miscellaneous		
	(4)	GAL-232539+000527 Alt Name1: DEEP2-31023355	RA: 23 25 38.7300 (351.4113750d) Dec: +00 05 26.60 (.09072d) Equinox: J2000				V=23.6 B(Vega)=24.06, R(Vega)=22.96, I(Vega)=22.02		Reference Frame: ICRS		
Exposures	#	Label	Target	Config,Mode,Aperture	Spectral Els.	Opt. Params.	Special Reqs.	Groups	Exp. Time/[Actual Dur.]		Orbit
	1	DEEP2-310 23355-WFP C2-I	(4) GAL-232539+00 0527	WFPC2, IMAGE, WF3-FIX	F814W	CR-SPLIT=NO; ATD-GAIN=7	POS TARG 0,25; GS ACQ SCENARI O BASE1T3	Pattern 1-1 (2)	900 Secs		
									[=>1100.0 Secs (Pattern 1)]		[1]
									[=>1100.0 Secs (Pattern 2)]		
								[=>1100.0 Secs (Pattern 3)]			
								[=>1100.0 Secs (Pattern 4)]		[2]	



Proposal 11206 - Visit 05 - At the cradle of the Milky Way: Formation of the most massive field disk galaxies at z>1

Tue May 20 01:01:36 GMT 2008

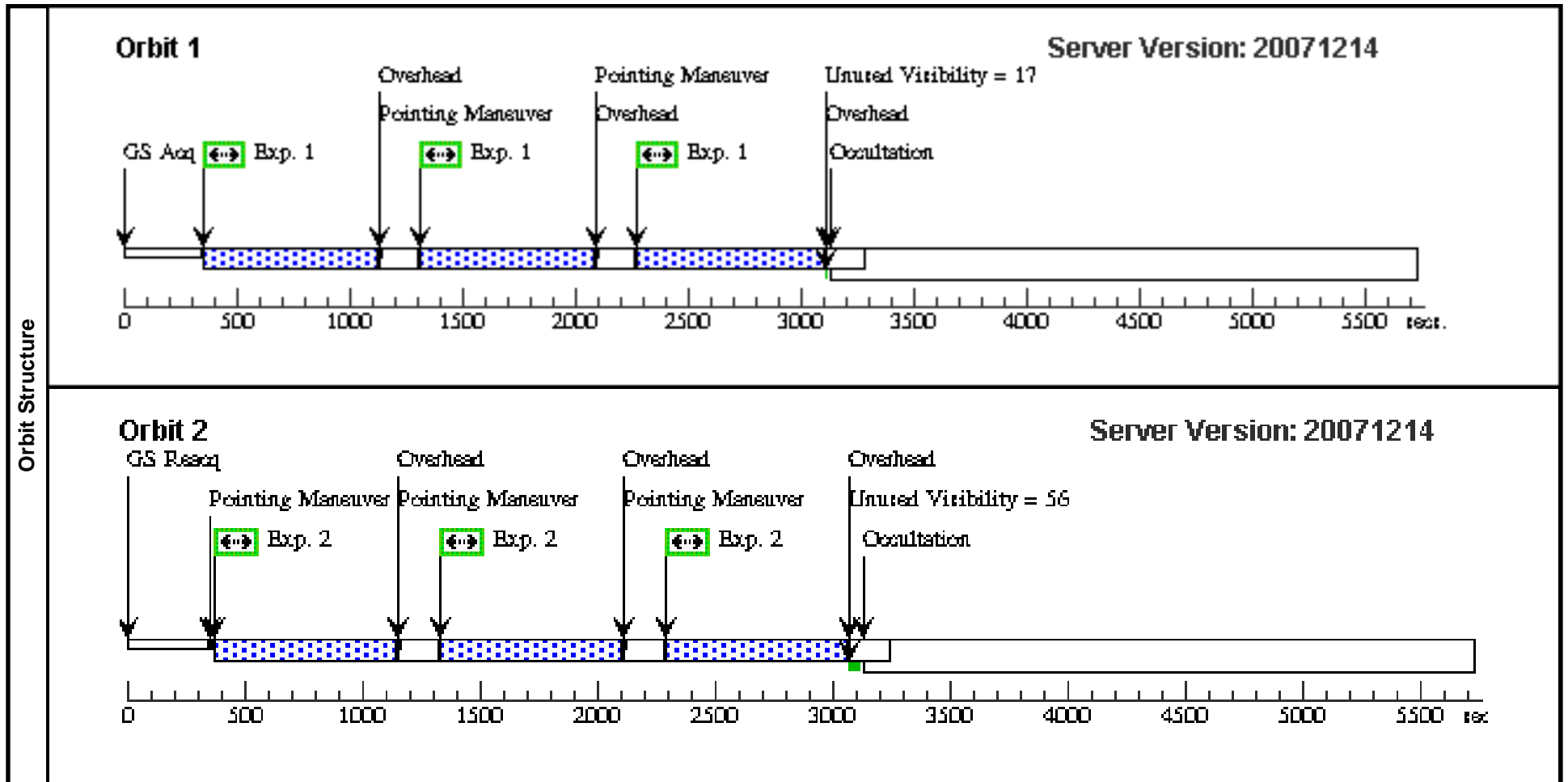
Visit	Proposal 11206, Visit 05, implementation Diagnostic Status: Warning Scientific Instruments: WFPC2 Special Requirements: ORIENT 2D TO 41 D; ORIENT 75D TO 83.5 D; ORIENT 92D TO 108 D; ORIENT 127D TO 131 D; ORIENT 141D TO 173.5 D; ORIENT 182D TO 221 D; ORIENT 231D TO 263.5 D; ORIENT 272D TO 311 D; ORIENT 321D TO 353.5 D										
	(DEEP2-31037720-WFPC2-I (05.001) special requirements) Warning (Form): Be very careful mixing POS TARG and Center_Pattern = Yes										
Diagnosics											
Patterns	#	Primary Pattern				Secondary Pattern				Exposures	
	(2)	Pattern Type=WFPC2-BOX Purpose=DITHER Number Of Points=4 Point Spacing=0.559017 Line Spacing=0.559017		Coordinate Frame=POS-TARG Pattern Orientation=26.56505 Angle Between Sides=143.130102 Center Pattern=true						(1)	
Fixed Targets	#	Name	Target Coordinates		Targ. Coord. Corrections		Fluxes		Miscellaneous		
	(5)	GAL-232802+001638 Alt Name1: DEEP2-31037720	RA: 23 28 2.3300 (352.0097083d) Dec: +00 16 37.30 (.27703d) Equinox: J2000				V=22.8 B(Vega)=23.26, R(Vega)=22.33, I(Vega)=21.53		Reference Frame: ICRS		
Exposures	#	Label	Target	Config,Mode,Aperture	Spectral Els.	Opt. Params.	Special Reqs.	Groups	Exp. Time/[Actual Dur.]		Orbit
	1	DEEP2-310 37720-WFP C2-I	(5) GAL-232802+00 1638	WFPC2, IMAGE, WF3-FIX	F814W	CR-SPLIT=NO; ATD-GAIN=7	POS TARG 0,25; GS ACQ SCENARI O SINGLE	Pattern 1-1 (2)	900 Secs		
									[==>1100.0 Secs (Pattern 1)]		[1]
									[==>1100.0 Secs (Pattern 2)]		[2]



Proposal 11206 - Visit 06 - At the cradle of the Milky Way: Formation of the most massive field disk galaxies at $z > 1$

Tue May 20 01:01:36 GMT 2008

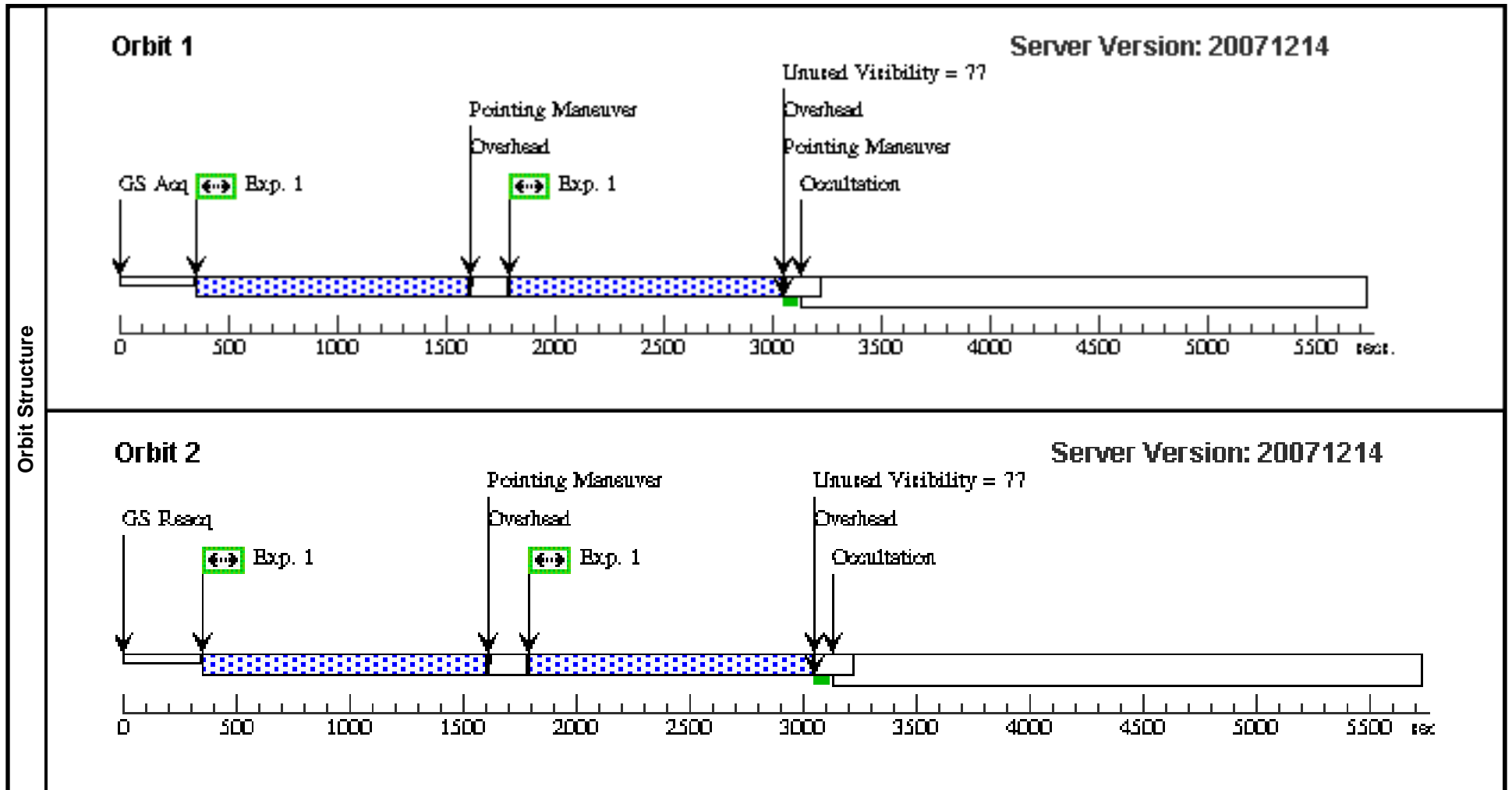
Visit	Proposal 11206, Visit 06, completed Diagnostic Status: Warning Scientific Instruments: WFPC2 Special Requirements: ORIENT 9.0D TO 54.0 D; ORIENT 98.0D TO 113.0 D; ORIENT 280.0D TO 322.0 D <i>Comments: This visit has a narrow scheduling window due to the presence of bright stars in the field. The biggest schedulability loss stems from keeping a bright star ($m_V=14.5$) off the bright object ($m < 14$) avoidance region surrounding the PC1 detector. If this visit cannot be scheduled with the current ORIENT constraints, we will have to allow for some possible contamination - in this case, please add: ORIENT from 190.0 to 232.0 to the allowed orientation angles.</i>									
	(DEEP2-32034378-WFPC2-I (06.001) special requirements) Warning (Form): Be very careful mixing POS TARG and Center_Pattern = Yes (DEEP2-32034378-WFPC2-V (06.002) special requirements) Warning (Form): Be very careful mixing POS TARG and Center_Pattern = Yes									
Diagnosics										
Patterns	#	Primary Pattern				Secondary Pattern			Exposures	
	(1)	Pattern Type=LINE Purpose=DITHER Number Of Points=3 Point Spacing=0.772161 Line Spacing=	Coordinate Frame=POS-TARG Pattern Orientation=45.0 Angle Between Sides= Center Pattern=true						(1), (2)	
Fixed Targets	#	Name	Target Coordinates	Targ. Coord. Corrections		Fluxes		Miscellaneous		
	(6)	GAL-232837+001821 Alt Name1: DEEP2-32034378	RA: 23 28 37.5100 (352.1562917d) Dec: +00 18 20.80 (.30578d) Equinox: J2000			V=23.3 B(Vega)=24.13, R(Vega)=22.39, I(Vega)=21.04		Reference Frame: ICRS		
Exposures	#	Label	Target	Config,Mode,Aperture	Spectral Els.	Opt. Params.	Special Reqs.	Groups	Exp. Time/[Actual Dur.]	Orbit
	1	DEEP2-32034378-WFPC2-I	(6) GAL-232837+001821	WFPC2, IMAGE, PC1-FIX	F814W	CR-SPLIT=NO; ATD-GAIN=7	POS TARG 0.0,-5.4 6	Pattern 1-1 (1)	600.0 Secs [=>(Pattern 1)] [=>(Pattern 2)] [=>700.0 Secs (Pattern 3)]	[1]
	2	DEEP2-32034378-WFPC2-V	(6) GAL-232837+001821	WFPC2, IMAGE, PC1-FIX	F606W	CR-SPLIT=NO; ATD-GAIN=7	POS TARG 0.0,-5.4 6	Pattern 2-2 (1)	600.0 Secs [=>600.0 Secs (Pattern 1)] [=>600.0 Secs (Pattern 2)] [=>600.0 Secs (Pattern 3)]	[2]



Proposal 11206 - Visit 08 - At the cradle of the Milky Way: Formation of the most massive field disk galaxies at z>1

Tue May 20 01:01:37 GMT 2008

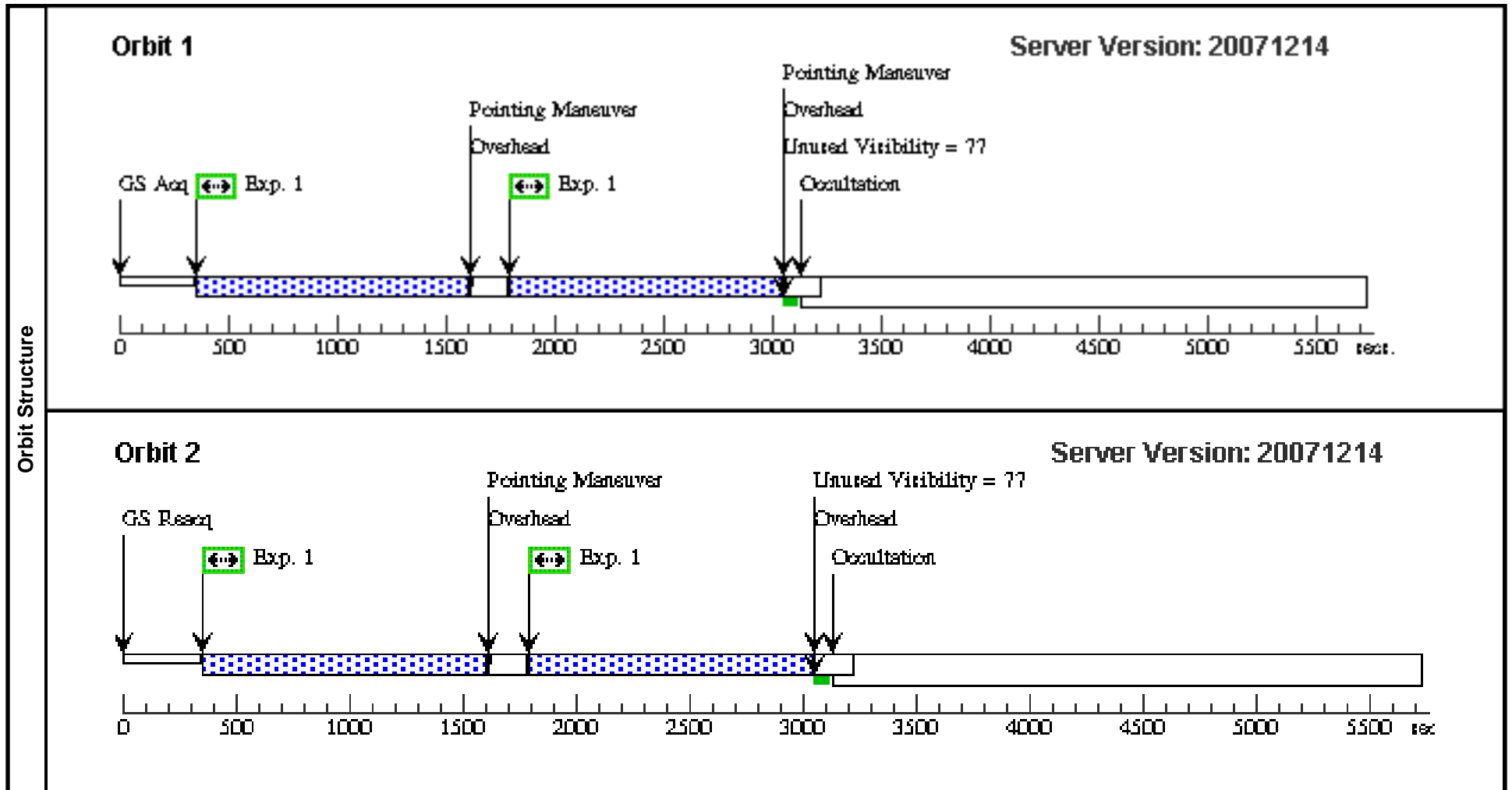
Visit	Proposal 11206, Visit 08, implementation Diagnostic Status: Warning Scientific Instruments: WFPC2 Special Requirements: ORIENT 343D TO 31 D; ORIENT 45D TO 49.5 D; ORIENT 59D TO 63 D; ORIENT 73D TO 76 D; ORIENT 91.5D TO 121 D; ORIENT 135D TO 139.5 D; ORIENT 149D TO 153 D; ORIENT 163D TO 211 D; ORIENT 225D TO 229.5 D; ORIENT 239D TO 243 D; ORIENT 253D TO 301 D; ORIENT 315D TO 319.5 D; ORIENT 329D TO 333 D										
	(DEEP2-33018699-WFPC2-I (08.001) special requirements) Warning (Form): Be very careful mixing POS TARG and Center_Pattern = Yes										
Diagnosics											
Patterns	#	Primary Pattern				Secondary Pattern				Exposures	
	(2)	Pattern Type=WFPC2-BOX Purpose=DITHER Number Of Points=4 Point Spacing=0.559017 Line Spacing=0.559017		Coordinate Frame=POS-TARG Pattern Orientation=26.56505 Angle Between Sides=143.130102 Center Pattern=true						(1)	
Fixed Targets	#	Name	Target Coordinates		Targ. Coord. Corrections		Fluxes		Miscellaneous		
	(8)	GAL-233347+000532 Alt Name1: DEEP2-33018699	RA: 23 33 47.2700 (353.4469583d) Dec: +00 05 31.40 (.09206d) Equinox: J2000				V=23.5 B(Vega)=23.84, R(Vega)=23.07, I(Vega)=22.15		Reference Frame: ICRS		
Exposures	#	Label	Target	Config,Mode,Aperture	Spectral Els.	Opt. Params.	Special Reqs.	Groups	Exp. Time/[Actual Dur.]		Orbit
	1	DEEP2-33018699-WFP C2-I	(8) GAL-233347+00 0532	WFPC2, IMAGE, WF3-FIX	F814W	CR-SPLIT=NO; ATD-GAIN=7	POS TARG 0,25	Pattern 1-1 (2)	900 Secs		
									[==>1100.0 Secs (Pattern 1)]		[1]
									[==>1100.0 Secs (Pattern 2)]		[2]
								[==>1100.0 Secs (Pattern 3)]			
								[==>1100.0 Secs (Pattern 4)]			



Proposal 11206 - Visit 09 - At the cradle of the Milky Way: Formation of the most massive field disk galaxies at z>1

Tue May 20 01:01:37 GMT 2008

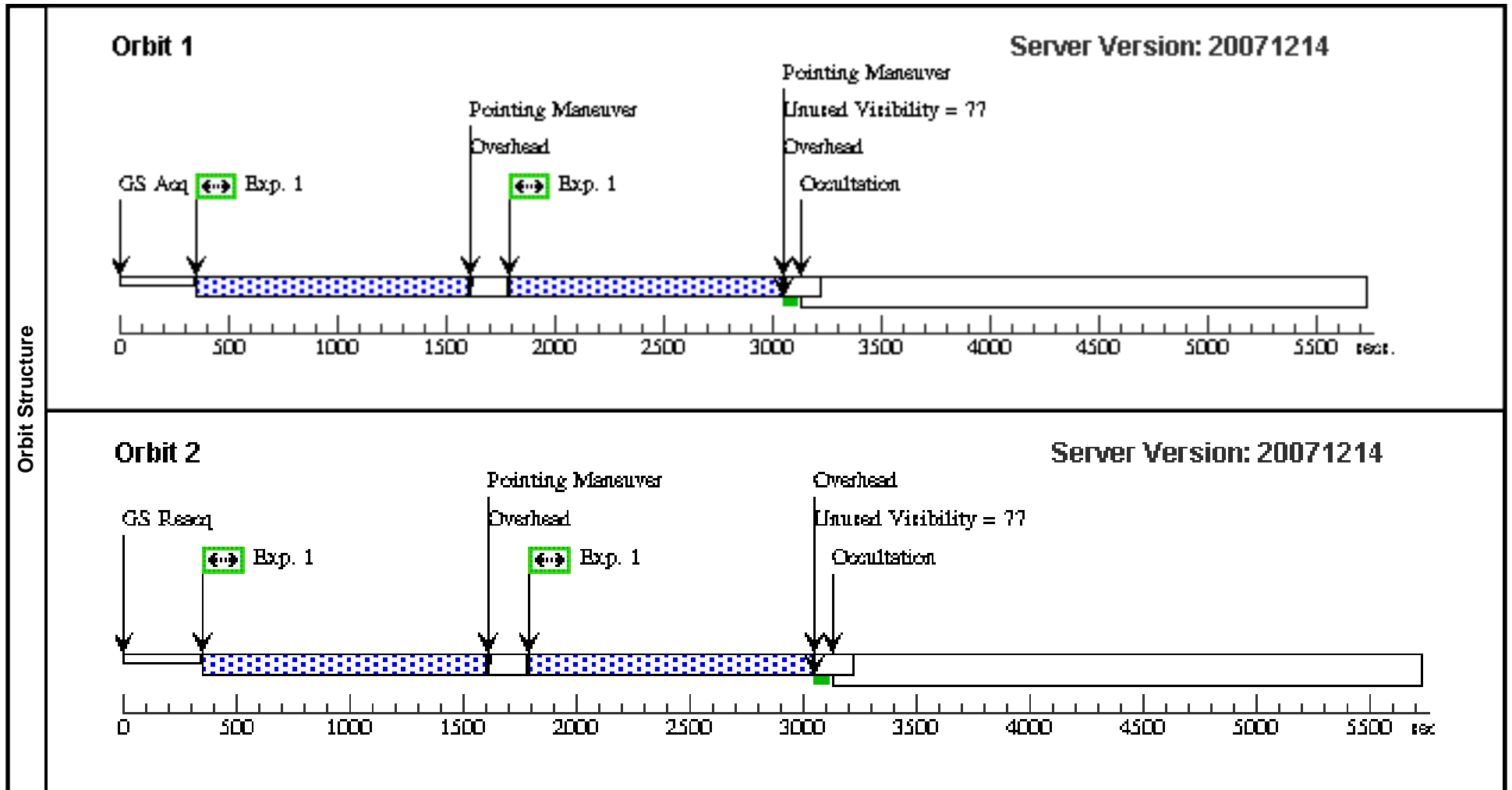
Visit	Proposal 11206, Visit 09, implementation Diagnostic Status: Warning Scientific Instruments: WFPC2 Special Requirements: ORIENT 311D TO 25 D; ORIENT 31D TO 33 D; ORIENT 41D TO 115 D; ORIENT 121D TO 123 D; ORIENT 131D TO 205 D; ORIENT 211D TO 213 D; ORIENT 221D TO 295 D; ORIENT 301D TO 303 D										
	(DEEP2-33029038-WFPC2-I (09.001) special requirements) Warning (Form): Be very careful mixing POS TARG and Center_Pattern = Yes										
Diagnosics											
Patterns	#	Primary Pattern				Secondary Pattern				Exposures	
	(2)	Pattern Type=WFPC2-BOX Purpose=DITHER Number Of Points=4 Point Spacing=0.559017 Line Spacing=0.559017		Coordinate Frame=POS-TARG Pattern Orientation=26.56505 Angle Between Sides=143.130102 Center Pattern=true						(1)	
Fixed Targets	#	Name	Target Coordinates		Targ. Coord. Corrections		Fluxes		Miscellaneous		
	(9)	GAL-233138+000911 Alt Name1: DEEP2-33029038	RA: 23 31 38.1000 (352.9087500d) Dec: +00 09 9.90 (.15275d) Equinox: J2000				V=23.54 B(Vega)=24.19, R(Vega)=22.89, I(Vega)=22.07		Reference Frame: ICRS		
Exposures	#	Label	Target	Config,Mode,Aperture	Spectral Els.	Opt. Params.	Special Reqs.	Groups	Exp. Time/[Actual Dur.]		Orbit
	1	DEEP2-33029038-WFP C2-I	(9) GAL-233138+00 0911	WFPC2, IMAGE, WF3-FIX	F814W	CR-SPLIT=NO; ATD-GAIN=7	POS TARG 0,25	Pattern 1-1 (2)	900 Secs		
									[==>1100.0 Secs (Pattern 1)]		[1]
									[==>1100.0 Secs (Pattern 2)]		[2]



Proposal 11206 - Visit 10 - At the cradle of the Milky Way: Formation of the most massive field disk galaxies at z>1

Tue May 20 01:01:37 GMT 2008

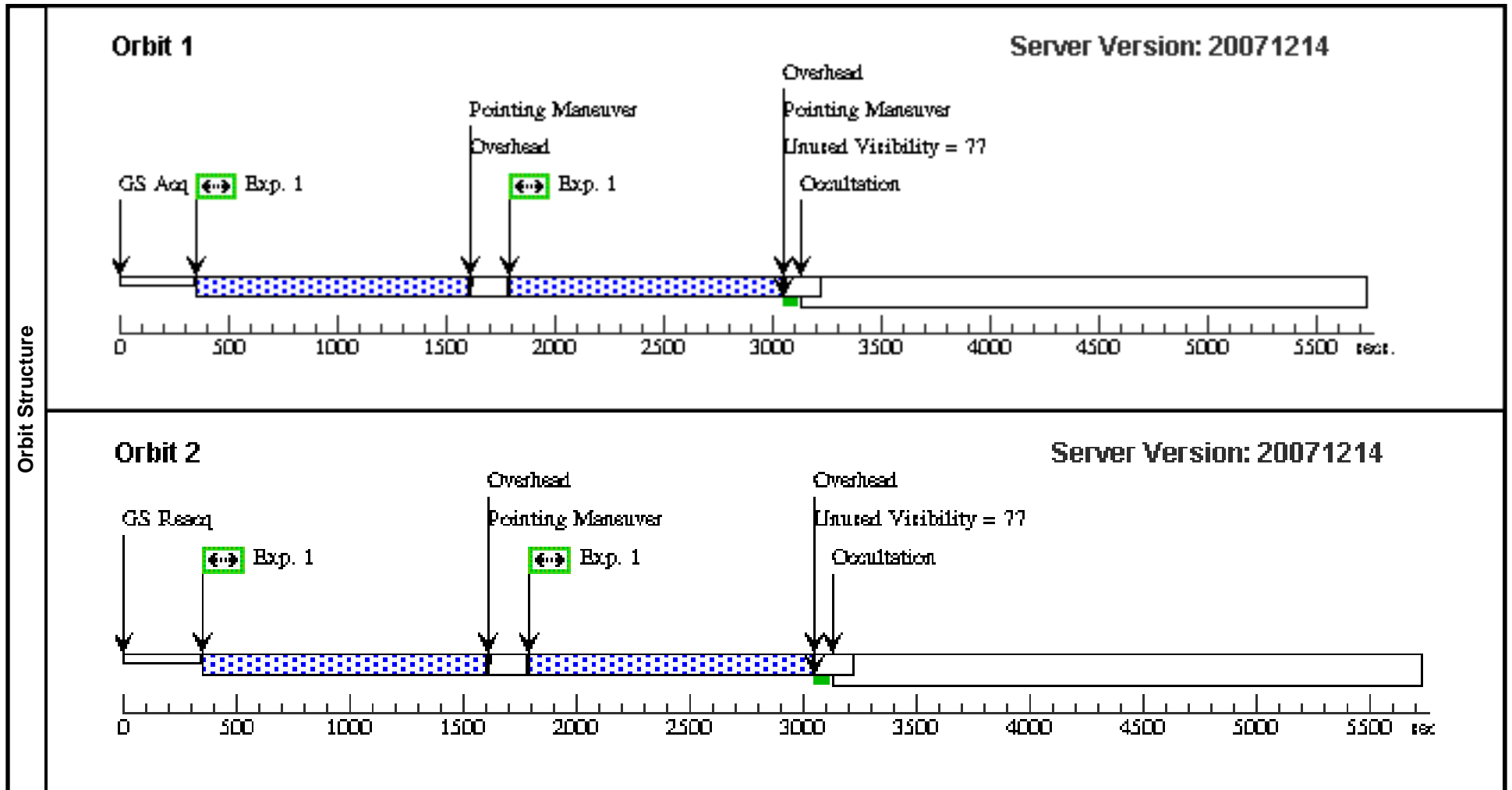
Visit	Proposal 11206, Visit 10, implementation Diagnostic Status: Warning Scientific Instruments: WFPC2 Special Requirements: ORIENT 357D TO 12.5 D; ORIENT 39D TO 46.5 D; ORIENT 53D TO 71 D; ORIENT 78D TO 105.5 D; ORIENT 130D TO 136 D; ORIENT 143D TO 161 D; ORIENT 168D TO 195.5 D; ORIENT 220D TO 226 D; ORIENT 233D TO 236 D; ORIENT 264D TO 285 D; ORIENT 310D TO 316 D; ORIENT 323D TO 341 D										
	(DEEP2-41017497-WFPC2-I (10.001) special requirements) Warning (Form): Be very careful mixing POS TARG and Center_Pattern = Yes										
Diagnosics											
Patterns	#	Primary Pattern				Secondary Pattern				Exposures	
	(2)	Pattern Type=WFPC2-BOX Purpose=DITHER Number Of Points=4 Point Spacing=0.559017 Line Spacing=0.559017		Coordinate Frame=POS-TARG Pattern Orientation=26.56505 Angle Between Sides=143.130102 Center Pattern=true						(1)	
Fixed Targets	#	Name	Target Coordinates		Targ. Coord. Corrections		Fluxes		Miscellaneous		
	(10)	GAL-022635+002641 Alt Name1: DEEP2-41017497	RA: 02 26 34.8000 (36.6450000d) Dec: +00 26 40.10 (.44447d) Equinox: J2000				V=23.7 B(Vega)=24.21, R(Vega)=23.11, I(Vega)=21.92		Reference Frame: ICRS		
Exposures	#	Label	Target	Config,Mode,Aperture	Spectral Els.	Opt. Params.	Special Reqs.	Groups	Exp. Time/[Actual Dur.]		Orbit
	1	DEEP2-410 17497-WFP C2-I	(10) GAL-022635+0 02641	WFPC2, IMAGE, WF3-FIX	F814W	CR-SPLIT=NO; ATD-GAIN=7	POS TARG 0,25	Pattern 1-1 (2)	900 Secs		
									[==>1100.0 Secs (Pattern 1)]		[1]
									[==>1100.0 Secs (Pattern 2)]		[2]



Proposal 11206 - Visit 11 - At the cradle of the Milky Way: Formation of the most massive field disk galaxies at z>1

Tue May 20 01:01:38 GMT 2008

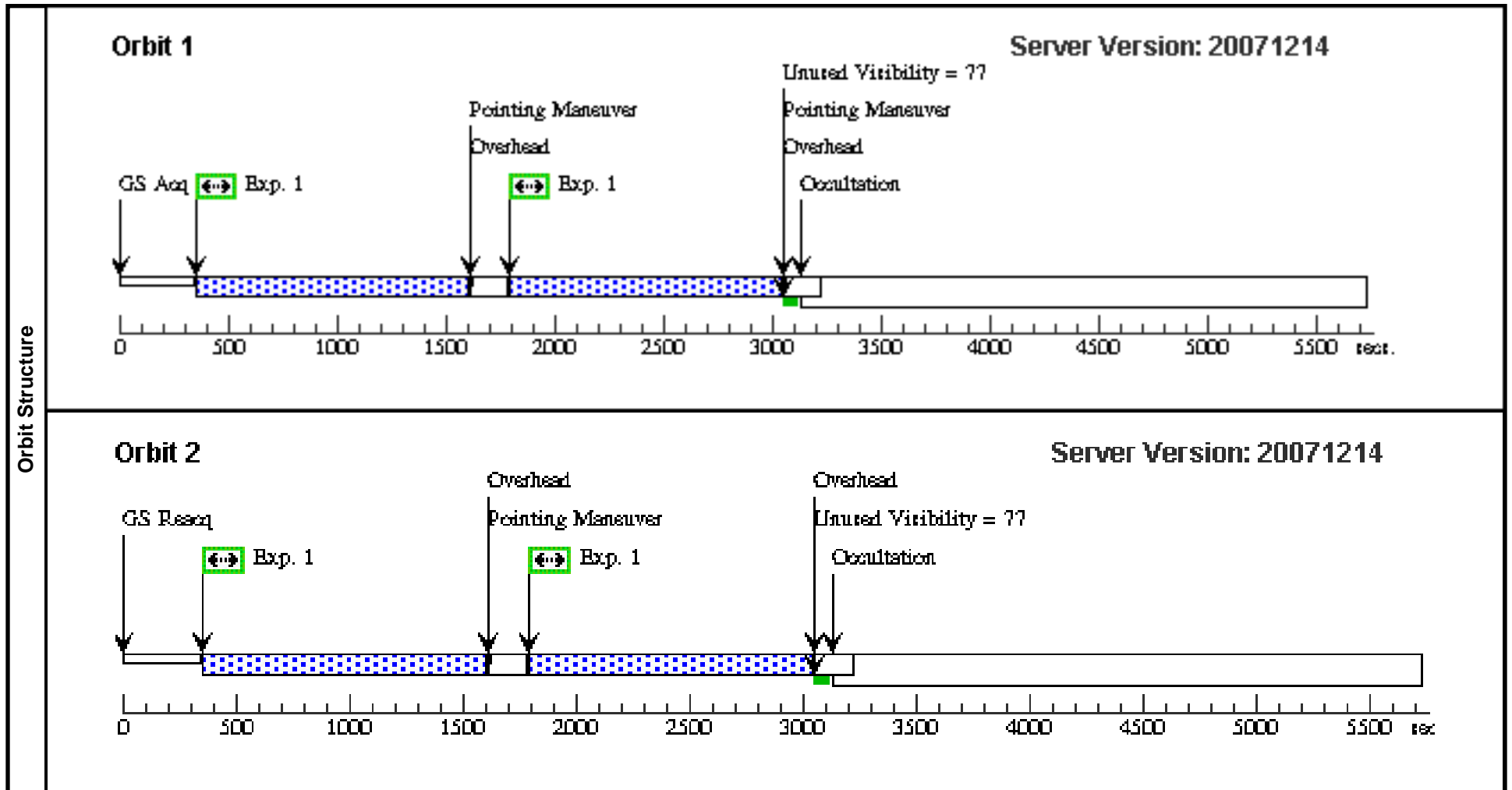
Visit	Proposal 11206, Visit 11, implementation Diagnostic Status: Warning Scientific Instruments: WFPC2 Special Requirements: ORIENT 347D TO 16 D; ORIENT 36.5D TO 55 D; ORIENT 60D TO 66.5 D; ORIENT 78.5D TO 100 D; ORIENT 119D TO 146 D; ORIENT 152.5D TO 156 D; ORIENT 169D TO 195 D; ORIENT 206D TO 213 D; ORIENT 230D TO 235 D; ORIENT 242.5D TO 246 D; ORIENT 258D TO 263 D; ORIENT 296D TO 325 D; ORIENT 332.5D TO 336 D										
	(DEEP2-41019405-WFPC2-I (11.001) special requirements) Warning (Form): Be very careful mixing POS TARG and Center_Pattern = Yes										
Diagnosics											
Patterns	#	Primary Pattern				Secondary Pattern				Exposures	
	(2)	Pattern Type=WFPC2-BOX Purpose=DITHER Number Of Points=4 Point Spacing=0.559017 Line Spacing=0.559017		Coordinate Frame=POS-TARG Pattern Orientation=26.56505 Angle Between Sides=143.130102 Center Pattern=true						(1)	
Fixed Targets	#	Name	Target Coordinates		Targ. Coord. Corrections		Fluxes		Miscellaneous		
	(11)	GAL-022832+003141 Alt Name1: DEEP2-41019405	RA: 02 28 31.7000 (37.1320833d) Dec: +00 31 40.30 (.52786d) Equinox: J2000				V=22.4 B(Vega)=22.95, R(Vega)=21.69, I(Vega)=20.62		Reference Frame: ICRS		
Exposures	#	Label	Target	Config,Mode,Aperture	Spectral Els.	Opt. Params.	Special Reqs.	Groups	Exp. Time/[Actual Dur.]		Orbit
	1	DEEP2-410 19405-WFP C2-I	(11) GAL-022832+0 03141	WFPC2, IMAGE, WF3-FIX	F814W	CR-SPLIT=NO; ATD-GAIN=7	POS TARG 0,25	Pattern 1-1 (2)	900 Secs		
									[==>1100.0 Secs (Pattern 1)]		[1]
									[==>1100.0 Secs (Pattern 2)]		[2]



Proposal 11206 - Visit 12 - At the cradle of the Milky Way: Formation of the most massive field disk galaxies at z>1

Tue May 20 01:01:38 GMT 2008

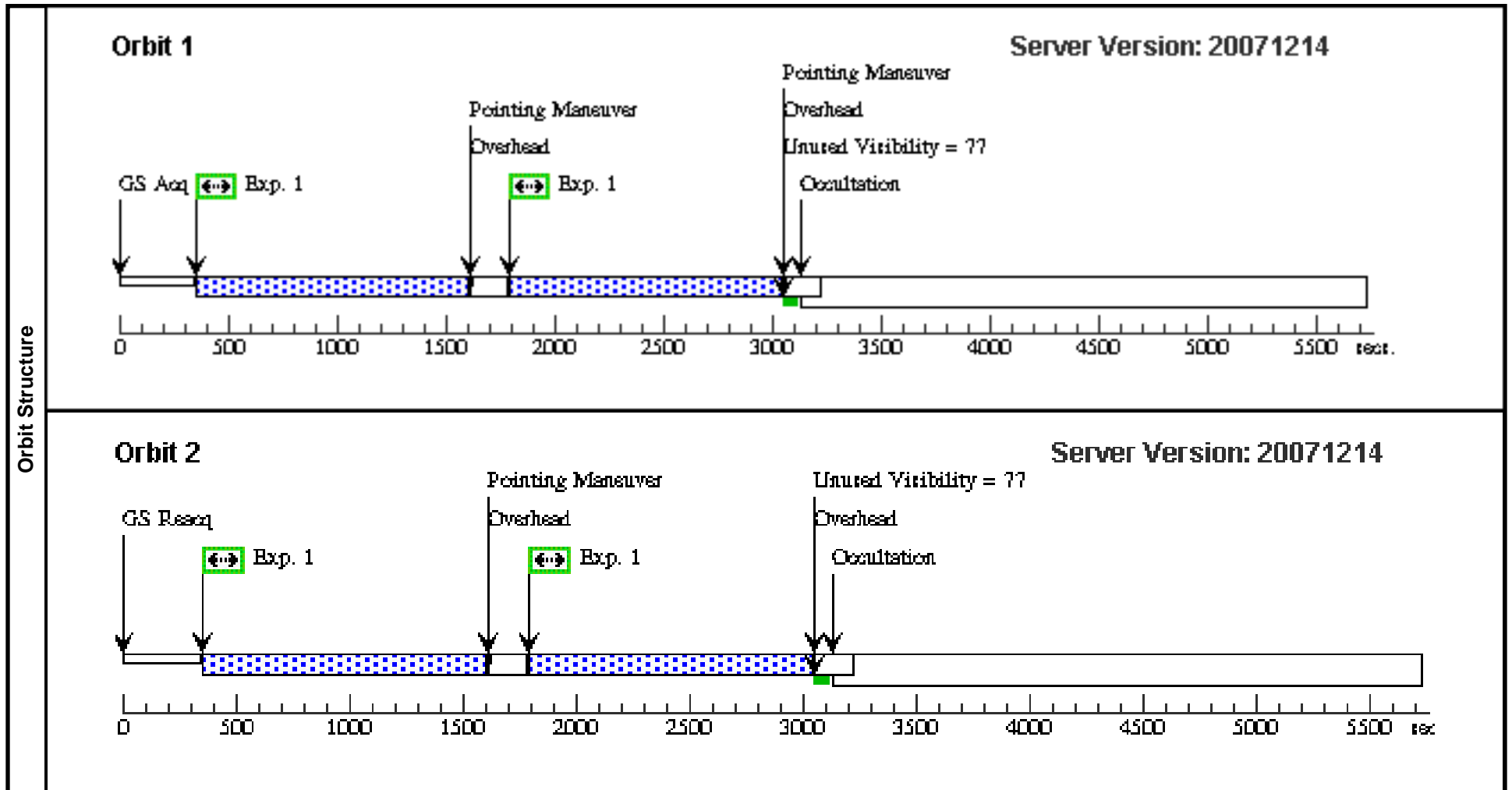
Visit	Proposal 11206, Visit 12, implementation Diagnostic Status: Warning Scientific Instruments: WFPC2 Special Requirements: ORIENT 10.5D TO 27 D; ORIENT 34D TO 71 D; ORIENT 83D TO 97.5 D; ORIENT 100.5D TO 117 D; ORIENT 124D TO 161 D; ORIENT 173D TO 187.5 D; ORIENT 195.5D TO 207 D; ORIENT 214D TO 251 D; ORIENT 263D TO 277.5 D; ORIENT 285.5D TO 297 D; ORIENT 304D TO 341 D; ORIENT 353D TO 7.5 D										
	(DEEP2-42007546-WFPC2-I (12.001) special requirements) Warning (Form): Be very careful mixing POS TARG and Center_Pattern = Yes										
Diagnosics											
Patterns	#	Primary Pattern				Secondary Pattern				Exposures	
	(2)	Pattern Type=WFPC2-BOX Purpose=DITHER Number Of Points=4 Point Spacing=0.559017 Line Spacing=0.559017		Coordinate Frame=POS-TARG Pattern Orientation=26.56505 Angle Between Sides=143.130102 Center Pattern=true						(1)	
Fixed Targets	#	Name	Target Coordinates		Targ. Coord. Corrections		Fluxes		Miscellaneous		
	(12)	GAL-023031+002317 Alt Name1: DEEP2-42007546	RA: 02 30 31.5000 (37.6312500d) Dec: +00 23 16.60 (.38794d) Equinox: J2000				V=23.1 B(Vega)=23.48, R(Vega)=22.61, I(Vega)=21.58		Reference Frame: ICRS		
Exposures	#	Label	Target	Config,Mode,Aperture	Spectral Els.	Opt. Params.	Special Reqs.	Groups	Exp. Time/[Actual Dur.]		Orbit
	1	DEEP2-42007546-WFPC2-I	(12) GAL-023031+002317	WFPC2, IMAGE, WF3-FIX	F814W	CR-SPLIT=NO; ATD-GAIN=7	POS TARG 0,25	Pattern 1-1 (2)	900 Secs		
									[==>1100.0 Secs (Pattern 1)]		[1]
									[==>1100.0 Secs (Pattern 2)]		[2]



Proposal 11206 - Visit 13 - At the cradle of the Milky Way: Formation of the most massive field disk galaxies at z>1

Tue May 20 01:01:39 GMT 2008

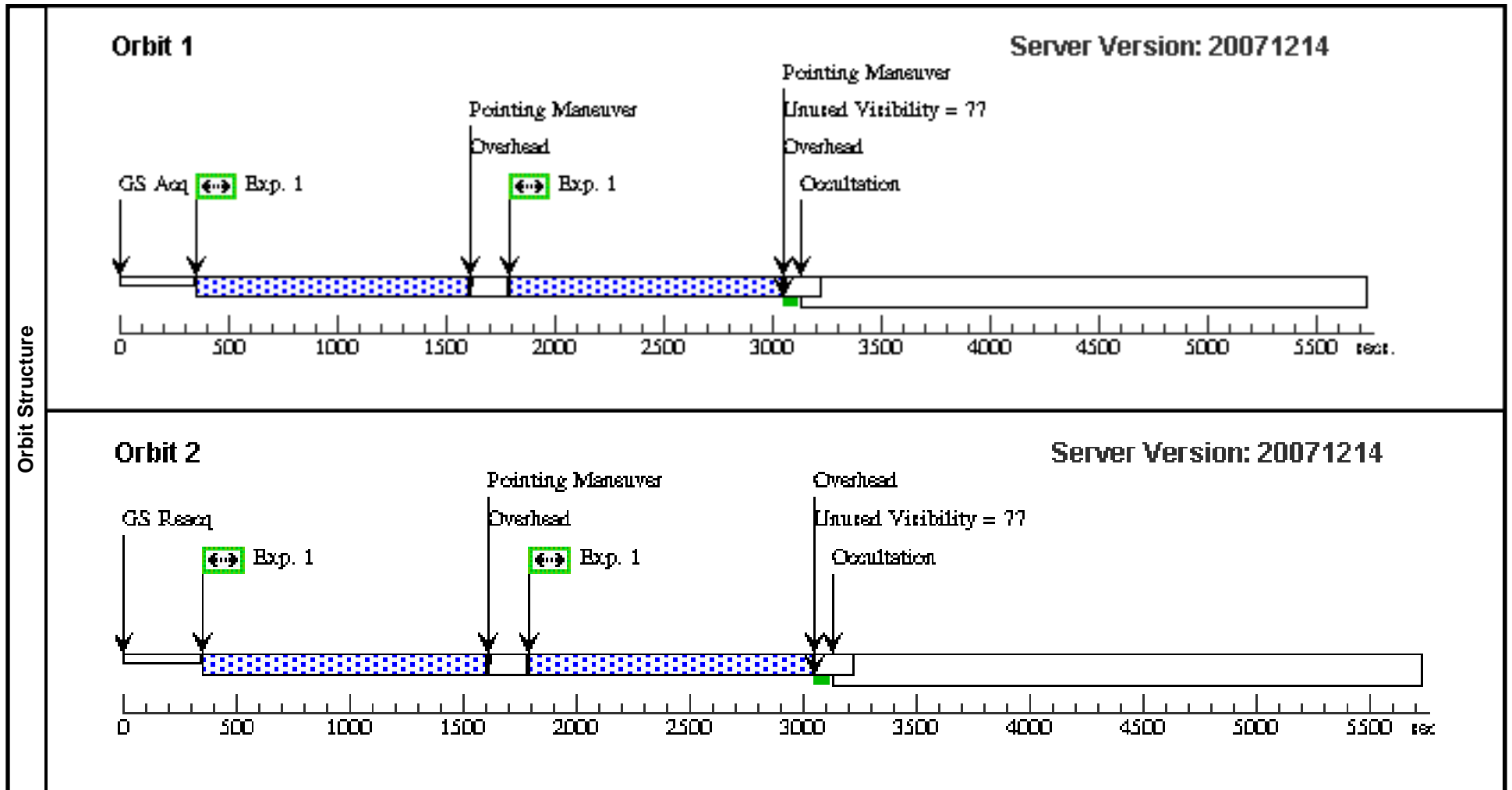
Visit	Proposal 11206, Visit 13, implementation Diagnostic Status: Warning Scientific Instruments: WFPC2 Special Requirements: ORIENT 341.5D TO 17 D; ORIENT 25D TO 29 D; ORIENT 43D TO 66 D; ORIENT 71.5D TO 90 D; ORIENT 104.5D TO 107 D; ORIENT 115D TO 125.5 D; ORIENT 132D TO 156 D; ORIENT 161.5D TO 197 D; ORIENT 205D TO 209 D; ORIENT 251.5D TO 278 D; ORIENT 301.5D TO 305.5 D; ORIENT 312D TO 314 D; ORIENT 325D TO 336 D										
	(DEEP2-42009739-WFPC2-I (13.001) special requirements) Warning (Form): Be very careful mixing POS TARG and Center_Pattern = Yes										
Diagnosics											
Patterns	#	Primary Pattern				Secondary Pattern				Exposures	
	(2)	Pattern Type=WFPC2-BOX Purpose=DITHER Number Of Points=4 Point Spacing=0.559017 Line Spacing=0.559017		Coordinate Frame=POS-TARG Pattern Orientation=26.56505 Angle Between Sides=143.130102 Center Pattern=true						(1)	
Fixed Targets	#	Name	Target Coordinates		Targ. Coord. Corrections		Fluxes		Miscellaneous		
	(13)	GAL-022936+002507 Alt Name1: DEEP2-42009739	RA: 02 29 35.7900 (37.3991250d) Dec: +00 25 7.10 (.41864d) Equinox: J2000				V=23.2 B(Vega)=23.41, R(Vega)=22.93, I(Vega)=22.33		Reference Frame: ICRS		
Exposures	#	Label	Target	Config,Mode,Aperture	Spectral Els.	Opt. Params.	Special Reqs.	Groups	Exp. Time/[Actual Dur.]		Orbit
	1	DEEP2-42009739-WFPC2-I	(13) GAL-022936+002507	WFPC2, IMAGE, WF3-FIX	F814W	CR-SPLIT=NO; ATD-GAIN=7	POS TARG 0,25	Pattern 1-1 (2)	900 Secs		
									[==>1100.0 Secs (Pattern 1)]		[1]
									[==>1100.0 Secs (Pattern 2)]		[2]



Proposal 11206 - Visit 14 - At the cradle of the Milky Way: Formation of the most massive field disk galaxies at $z > 1$

Tue May 20 01:01:39 GMT 2008

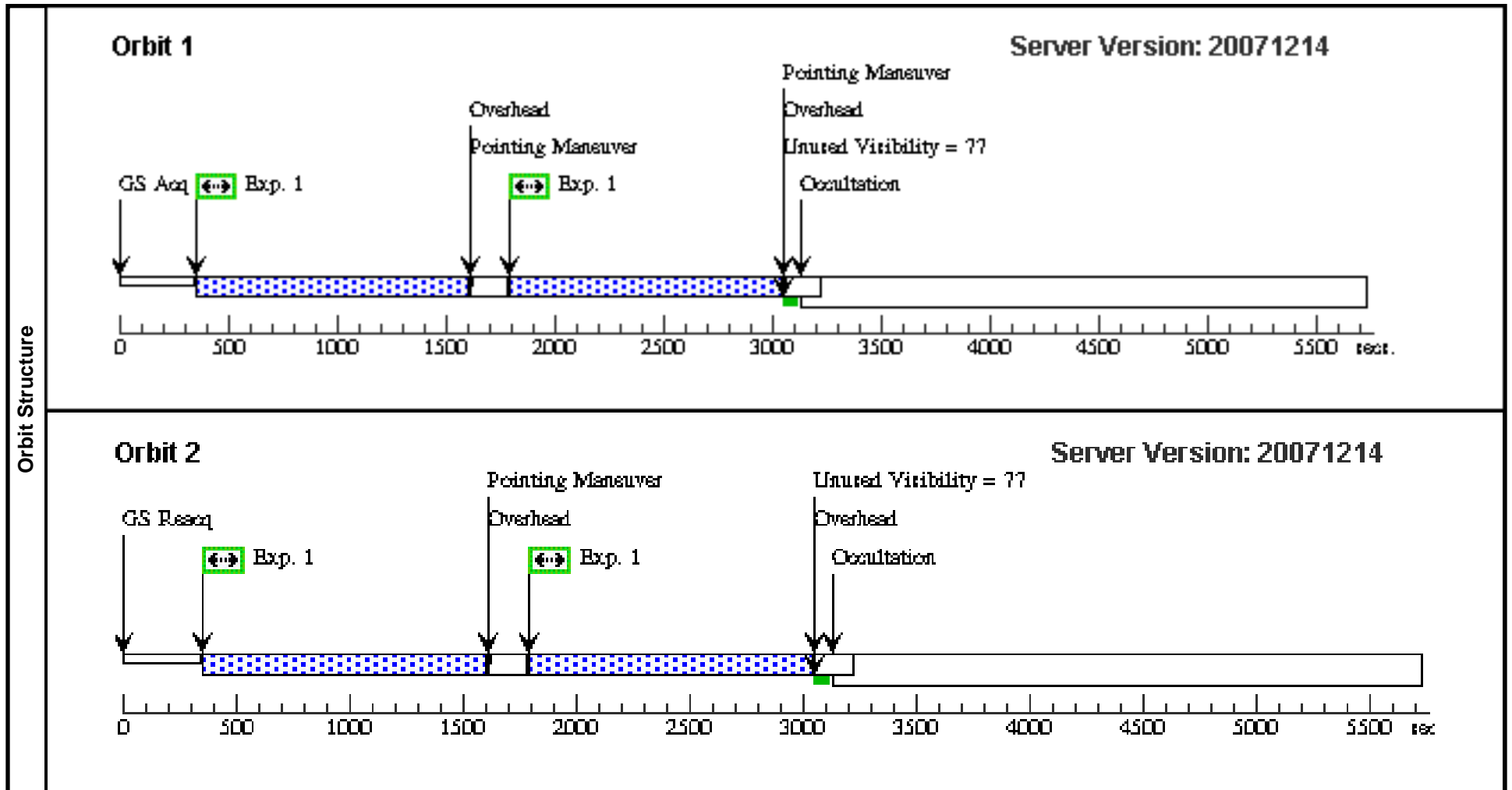
Visit	Proposal 11206, Visit 14, implementation Diagnostic Status: Warning Scientific Instruments: WFPC2 Special Requirements: ORIENT 88.5D TO 90 D; ORIENT 104.5D TO 122.5 D; ORIENT 128D TO 131.5 D; ORIENT 139D TO 146 D; ORIENT 151D TO 158 D; ORIENT 178.5D TO 180 D; ORIENT 194.5D TO 212.5 D; ORIENT 218D TO 221.5 D; ORIENT 241D TO 248 D; ORIENT 268.5D TO 270 D; ORIENT 284.5D TO 302.5 D; ORIENT 308D TO 311.5 D; ORIENT 319D TO 326 D										
	(DEEP2-42013611-WFPC2-I (14.001) special requirements) Warning (Form): Be very careful mixing POS TARG and Center_Pattern = Yes										
Diagnosics											
Patterns	#	Primary Pattern				Secondary Pattern				Exposures	
	(2)	Pattern Type=WFPC2-BOX Purpose=DITHER Number Of Points=4 Point Spacing=0.559017 Line Spacing=0.559017		Coordinate Frame=POS-TARG Pattern Orientation=26.56505 Angle Between Sides=143.130102 Center Pattern=true						(1)	
Fixed Targets	#	Name	Target Coordinates		Targ. Coord. Corrections		Fluxes		Miscellaneous		
	(14)	GAL-023057+002943 Alt Name1: DEEP2-42013611	RA: 02 30 57.0900 (37.7378750d) Dec: +00 29 42.30 (.49508d) Equinox: J2000				V=23.03 B(Vega)=23.83, R(Vega)=22.22, I(Vega)=21.15		Reference Frame: ICRS		
Exposures	#	Label	Target	Config,Mode,Aperture	Spectral Els.	Opt. Params.	Special Reqs.	Groups	Exp. Time/[Actual Dur.]		Orbit
	1	DEEP2-420 13611-WFP C2-I	(14) GAL-023057+0 02943	WFPC2, IMAGE, WF3-FIX	F814W	CR-SPLIT=NO; ATD-GAIN=7	POS TARG 0,25	Pattern 1-1 (2)	900 Secs		
									[==>1100.0 Secs (Pattern 1)]		[1]
									[==>1100.0 Secs (Pattern 2)]		[2]



Proposal 11206 - Visit 15 - At the cradle of the Milky Way: Formation of the most massive field disk galaxies at z>1

Tue May 20 01:01:39 GMT 2008

Visit	Proposal 11206, Visit 15, implementation Diagnostic Status: Warning Scientific Instruments: WFPC2 Special Requirements: ORIENT 332.5D TO 50.5 D; ORIENT 62.5D TO 140.5 D; ORIENT 152.2D TO 230.5 D; ORIENT 242.5D TO 320.5 D										
	(DEEP2-42034510-WFPC2-I (15.001) special requirements) Warning (Form): Be very careful mixing POS TARG and Center_Pattern = Yes										
Diagnosics											
Patterns	#	Primary Pattern				Secondary Pattern				Exposures	
	(2)	Pattern Type=WFPC2-BOX Purpose=DITHER Number Of Points=4 Point Spacing=0.559017 Line Spacing=0.559017		Coordinate Frame=POS-TARG Pattern Orientation=26.56505 Angle Between Sides=143.130102 Center Pattern=true						(1)	
Fixed Targets	#	Name	Target Coordinates		Targ. Coord. Corrections		Fluxes		Miscellaneous		
	(15)	GAL-022835+003448 Alt Name1: DEEP2-42034510	RA: 02 28 35.1800 (37.1465833d) Dec: +00 34 47.70 (.57992d) Equinox: J2000				V=23.4 B(Vega)=23.76, R(Vega)=22.88, I(Vega)=21.73		Reference Frame: ICRS		
Exposures	#	Label	Target	Config,Mode,Aperture	Spectral Els.	Opt. Params.	Special Reqs.	Groups	Exp. Time/[Actual Dur.]		Orbit
	1	DEEP2-42034510-WFPC2-I	(15) GAL-022835+003448	WFPC2, IMAGE, WF3-FIX	F814W	CR-SPLIT=NO; ATD-GAIN=7	POS TARG 0,25	Pattern 1-1 (2)	900 Secs		
									[=>1100.0 Secs (Pattern 1)]		[1]
									[=>1100.0 Secs (Pattern 2)]		[2]



Proposal 11206 - Visit 16 - At the cradle of the Milky Way: Formation of the most massive field disk galaxies at z>1

Tue May 20 01:01:40 GMT 2008

Visit	Proposal 11206, Visit 16, implementation Diagnostic Status: Warning Scientific Instruments: WFPC2 Special Requirements: ORIENT 6D TO 11 D; ORIENT 43.5D TO 55.5 D; ORIENT 95D TO 145 D; ORIENT 186D TO 235 D; ORIENT 277D TO 290.5 D										
	(DEEP2-32034378-WFPC2-I (16.001) special requirements) Warning (Form): Be very careful mixing POS TARG and Center_Pattern = Yes										
Diagnosics											
Patterns	#	Primary Pattern				Secondary Pattern				Exposures	
	(2)	Pattern Type=WFPC2-BOX Purpose=DITHER Number Of Points=4 Point Spacing=0.559017 Line Spacing=0.559017		Coordinate Frame=POS-TARG Pattern Orientation=26.56505 Angle Between Sides=143.130102 Center Pattern=true						(1)	
Fixed Targets	#	Name	Target Coordinates		Targ. Coord. Corrections		Fluxes		Miscellaneous		
	(6)	GAL-232837+001821 Alt Name1: DEEP2-32034378	RA: 23 28 37.5100 (352.1562917d) Dec: +00 18 20.80 (.30578d) Equinox: J2000				V=23.3 B(Vega)=24.13, R(Vega)=22.39, I(Vega)=21.04		Reference Frame: ICRS		
Exposures	#	Label	Target	Config,Mode,Aperture	Spectral Els.	Opt. Params.	Special Reqs.	Groups	Exp. Time/[Actual Dur.]		Orbit
	1	DEEP2-32034378-WFP C2-I	(6) GAL-232837+001821	WFPC2, IMAGE, WF3-FIX	F814W	CR-SPLIT=NO; ATD-GAIN=7	POS TARG 0,25.	Pattern 1-1 (2)	900 Secs		
									[=>1100.0 Secs (Pattern 1)]		[1]
									[=>1100.0 Secs (Pattern 2)]		
								[=>1100.0 Secs (Pattern 3)]			
								[=>1100.0 Secs (Pattern 4)]		[2]	

