



## 12109 - A Panchromatic Hubble Andromeda Treasury - I

Cycle: 19, Proposal Category: GO

(Large Program)

(Availability Mode: SUPPORTED)

### INVESTIGATORS

| <i>Name</i>                                  | <i>Institution</i>                                | <i>E-Mail</i>                      |
|--|---|------------------------------------|
| <b>Dr. Julianne Dalcanton (PI) (Contact)</b> | <b>University of Washington</b>                   | <b>jd@astro.washington.edu</b>     |
| Dr. Eric F. Bell (CoI)                       | University of Michigan                            | ericbell@umich.edu                 |
| Dr. Luciana C. Bianchi (CoI)                 | The Johns Hopkins University                      | bianchi@pha.jhu.edu                |
| Dr. Nelson C. Caldwell (CoI)                 | Smithsonian Institution Astrophysical Observatory | ncaldwell@cfa.harvard.edu          |
| Dr. Andrew Dolphin (CoI)                     | Raytheon Company                                  | adolphin@raytheon.com              |
| Dr. Karoline Gilbert (CoI)                   | University of Washington                          | kgilbert@astro.washington.edu      |
| Dr. Leo Girardi (CoI) (ESA Member)           | Osservatorio Astronomico di Padova                | leo.girardi@oapd.inaf.it           |
| Ms. Stephanie Gogarten (CoI)                 | University of Washington                          | stephanie@astro.washington.edu     |
| Dr. Karl D. Gordon (CoI)                     | Space Telescope Science Institute                 | kgordon@stsci.edu                  |
| Prof. Puragra Guhathakurta (CoI)             | University of California - Santa Cruz             | raja@ucolick.org                   |
| Dr. Paul W. Hodge (CoI)                      | University of Washington                          | hodge@astro.washington.edu         |
| Dr. Jon A. Holtzman (CoI)                    | New Mexico State University                       | holtz@nmsu.edu                     |
| Mr. L. Clifton Johnson (CoI)                 | University of Washington                          | lcjohnso@astro.washington.edu      |
| Dr. Jason S. Kalirai (CoI)                   | Space Telescope Science Institute                 | jkalirai@stsci.edu                 |
| Dr. C. S. Kochanek (CoI)                     | The Ohio State University                         | ckochanek@astronomy.ohio-state.edu |
| Dr. Dustin Lang (CoI)                        | Princeton University                              | dstn@cs.toronto.edu                |
| Dr. Soeren S. Larsen (CoI) (ESA Member)      | Radboud Universiteit Nijmegen                     | s.larsen@astro.ru.nl               |
| Dr. Tod R. Lauer (CoI)                       | National Optical Astronomy Observatory, AURA      | lauer@noao.edu                     |
| Dr. Adam Leroy (CoI)                         | Associated Universities, Inc.                     | aleroy@nrao.edu                    |
| Dr. Jason Lee Melbourne (CoI)                | California Institute of Technology                | jmel@caltech.edu                   |

Proposal 12109 (STScI Edit Number: 0, Created: Friday, January 25, 2013 9:09:37 PM EST) - Overview

| <i>Name</i>                            | <i>Institution</i>                             | <i>E-Mail</i>                    |
|--|--|----------------------------------|
| Dr. Knut A.G. Olsen (CoI)              | National Optical Astronomy Observatory, AURA   | kolsen@noao.edu                  |
| Dr. Hans-Walter Rix (CoI) (ESA Member) | Max-Planck-Institut fur Astronomie, Heidelberg | rix@mpia.de                      |
| Mr. Keith Rosema (CoI)                 | Random Walk Group                              | krosema@comcast.net              |
| Dr. Abhijit Saha (CoI)                 | National Optical Astronomy Observatory, AURA   | saha@noao.edu                    |
| Dr. Ata Sarajedini (CoI)               | University of Florida                          | ata@astro.ufl.edu                |
| Dr. Anil C. Seth (CoI)                 | University of Utah                             | aseth@astro.utah.edu             |
| Dr. Evan D. Skillman (CoI)             | University of Minnesota - Twin Cities          | skillman@astro.umn.edu           |
| Dr. Krzysztof Z. Stanek (CoI)          | The Ohio State University                      | kstanek@astronomy.ohio-state.edu |
| Dr. Daniel R. Weisz (CoI)              | University of Washington                       | dweisz@astro.washington.edu      |
| Dr. Benjamin F. Williams (CoI)         | University of Washington                       | ben@astro.washington.edu         |

**VISITS**

| <i>Visit</i> | <i>Targets used in Visit</i>   | <i>Configurations used in Visit</i> | <i>Orbits Used</i> | <i>Last Orbit Planner Run</i> | <i>OP Current with Visit?</i> |
|--------------|--|-------------------------------------|--------------------|-------------------------------|-------------------------------|
| 01           | (1) M31-B03-F01-IR<br>(2) M31-B03-F01-UVIS<br>(3) M31-B03-F04-WFC    | ACS/WFC<br>WFC3/IR<br>WFC3/UVIS     | 2                  | 26-Jan-2013 02:02:47.0        | yes                           |
| 02           | (4) M31-B03-F02-IR<br>(5) M31-B03-F02-UVIS<br>(6) M31-B03-F05-WFC    | ACS/WFC<br>WFC3/IR<br>WFC3/UVIS     | 2                  | 26-Jan-2013 02:03:13.0        | yes                           |
| 03           | (7) M31-B03-F03-IR<br>(8) M31-B03-F03-UVIS<br>(9) M31-B03-F06-WFC    | ACS/WFC<br>WFC3/IR<br>WFC3/UVIS     | 2                  | 26-Jan-2013 02:03:37.0        | yes                           |
| 04           | (10) M31-B03-F04-IR<br>(11) M31-B03-F04-UVIS<br>(12) M31-B03-F01-WFC | ACS/WFC<br>WFC3/IR<br>WFC3/UVIS     | 2                  | 26-Jan-2013 02:04:03.0        | yes                           |
| 05           | (13) M31-B03-F05-IR<br>(14) M31-B03-F05-UVIS<br>(15) M31-B03-F02-WFC | ACS/WFC<br>WFC3/IR<br>WFC3/UVIS     | 2                  | 26-Jan-2013 02:04:24.0        | yes                           |

Proposal 12109 (STScI Edit Number: 0, Created: Friday, January 25, 2013 9:09:37 PM EST) - Overview

| <i>Visit</i> | <i>Targets used in Visit</i>   | <i>Configurations used in Visit</i> | <i>Orbits Used</i> | <i>Last Orbit Planner Run</i> | <i>OP Current with Visit?</i> |
|--------------|--|-------------------------------------|--------------------|-------------------------------|-------------------------------|
| 06           | (16) M31-B03-F06-IR<br>(17) M31-B03-F06-UVIS<br>(18) M31-B03-F03-WFC | ACS/WFC<br>WFC3/IR<br>WFC3/UVIS     | 2                  | 26-Jan-2013 02:04:46.0        | yes                           |
| 07           | (19) M31-B03-F07-IR<br>(20) M31-B03-F07-UVIS<br>(21) M31-B03-F10-WFC | ACS/WFC<br>WFC3/IR<br>WFC3/UVIS     | 2                  | 26-Jan-2013 02:05:07.0        | yes                           |
| 08           | (22) M31-B03-F08-IR<br>(23) M31-B03-F08-UVIS<br>(24) M31-B03-F11-WFC | ACS/WFC<br>WFC3/IR<br>WFC3/UVIS     | 2                  | 26-Jan-2013 02:05:28.0        | yes                           |
| 09           | (25) M31-B03-F09-IR<br>(26) M31-B03-F09-UVIS<br>(27) M31-B03-F12-WFC | ACS/WFC<br>WFC3/IR<br>WFC3/UVIS     | 2                  | 26-Jan-2013 02:05:52.0        | yes                           |
| 10           | (28) M31-B03-F10-IR<br>(29) M31-B03-F10-UVIS<br>(30) M31-B03-F07-WFC | ACS/WFC<br>WFC3/IR<br>WFC3/UVIS     | 2                  | 26-Jan-2013 02:06:12.0        | yes                           |
| 11           | (31) M31-B03-F11-IR<br>(32) M31-B03-F11-UVIS<br>(33) M31-B03-F08-WFC | ACS/WFC<br>WFC3/IR<br>WFC3/UVIS     | 2                  | 26-Jan-2013 02:06:33.0        | yes                           |
| 12           | (34) M31-B03-F12-IR<br>(35) M31-B03-F12-UVIS<br>(36) M31-B03-F09-WFC | ACS/WFC<br>WFC3/IR<br>WFC3/UVIS     | 2                  | 26-Jan-2013 02:06:54.0        | yes                           |
| 13           | (37) M31-B03-F13-IR<br>(38) M31-B03-F13-UVIS<br>(39) M31-B03-F16-WFC | ACS/WFC<br>WFC3/IR<br>WFC3/UVIS     | 2                  | 26-Jan-2013 02:07:14.0        | yes                           |
| 14           | (40) M31-B03-F14-IR<br>(41) M31-B03-F14-UVIS<br>(42) M31-B03-F17-WFC | ACS/WFC<br>WFC3/IR<br>WFC3/UVIS     | 2                  | 26-Jan-2013 02:07:38.0        | yes                           |

| <i>Visit</i> | <i>Targets used in Visit</i>   | <i>Configurations used in Visit</i> | <i>Orbits Used</i> | <i>Last Orbit Planner Run</i> | <i>OP Current with Visit?</i> |
|--------------|--|-------------------------------------|--------------------|-------------------------------|-------------------------------|
| 15           | (43) M31-B03-F15-IR<br>(44) M31-B03-F15-UVIS<br>(45) M31-B03-F18-WFC | ACS/WFC<br>WFC3/IR<br>WFC3/UVIS     | 2                  | 26-Jan-2013 02:07:58.0        | yes                           |
| 16           | (46) M31-B03-F16-IR<br>(47) M31-B03-F16-UVIS<br>(48) M31-B03-F13-WFC | ACS/WFC<br>WFC3/IR<br>WFC3/UVIS     | 2                  | 26-Jan-2013 02:08:18.0        | yes                           |
| 17           | (49) M31-B03-F17-IR<br>(50) M31-B03-F17-UVIS<br>(51) M31-B03-F14-WFC | ACS/WFC<br>WFC3/IR<br>WFC3/UVIS     | 2                  | 26-Jan-2013 02:08:39.0        | yes                           |
| 18           | (52) M31-B03-F18-IR<br>(53) M31-B03-F18-UVIS<br>(54) M31-B03-F15-WFC | ACS/WFC<br>WFC3/IR<br>WFC3/UVIS     | 2                  | 26-Jan-2013 02:08:59.0        | yes                           |
| 19           | (27) M31-B03-F12-WFC<br>ANY  | ACS/WFC<br>WFC3/IR<br>WFC3/UVIS     | 2                  | 26-Jan-2013 02:09:23.0        | yes                           |

38 Total Orbits Used

## ABSTRACT

We propose to image the north east quadrant of M31 to deep limits in the UV, optical, and near-IR. HST imaging should resolve the galaxy into more than 100 million stars, all with common distances and foreground extinctions. UV through NIR stellar photometry (F275W, F336W with WFC3/UVIS, F475W and F814W with ACS/WFC, and F110W and F160W with WFC3/NIR) will provide effective temperatures for a wide range of spectral types, while simultaneously mapping M31's extinction. Our central science drivers are to: understand high-mass variations in the stellar IMF as a function of SFR intensity and metallicity; capture the spatially-resolved star formation history of M31; study a vast sample of stellar clusters with a range of ages and metallicities. These are central to understanding stellar evolution and clustered star formation; constraining ISM energetics; and understanding the counterparts and environments of transient objects (novae, SNe, variable stars, x-ray sources, etc.). As its legacy, this survey adds M31 to the Milky Way and Magellanic Clouds as a fundamental calibrator of stellar evolution and star-formation processes for understanding the stellar populations of distant galaxies. Effective exposure times are 977s in F275W, 1368s in F336W, 4040s in F475W, 4042s in F814W, 699s in F110W, and 1796s in F160W, including short exposures to avoid saturation of bright sources. These depths will produce photon-limited images in

the UV. Images will be crowding-limited in the optical and NIR, but will reach below the red clump at all radii. The images will reach the Nyquist sampling limit in F160W, F475W, and F814W.

## **OBSERVING DESCRIPTION**

This is tiling brick 03 of the M31 MCTP.

The strategy is to obtain UV through IR photometry covering a large fraction of M31. Every primary target has a parallel target defined with the same coordinates, but with a different name to distinguish its location in the brick. Each visit is 2 orbits. During the two orbits, we obtain, 925, 1250, 1720, 1520, 699, and 1596 seconds of exposure in F275W, F336W, F475W, F814W, F110W, and F160W, respectively at summer orients (>180 degrees; Sched100). We obtain 1010, 1350, 1900, 1715, 799, and 1696 seconds of exposure in F275W, F336W, F475W, F814W, F110W, and F160W, respectively at winter orients (<180 degrees; Sched60). All exposure times are optimized to have the shutters of both cameras open during all buffer dumps. Thus, the exposure times are somewhat asymmetric. Orbit lengths for the orients available in winter are slightly longer than those for orients available in summer to maximize efficiency.

In the first orbit, WFC3/UVIS and ACS run in parallel to obtain 2 primary exposures in F275W, 2 primary exposures in F336W, and 4 parallel exposures in F814W. There is a pointing offset to all UVIS exposures to compensate for the V2, V3 offset between the IR-FIX aperture and the UVIS-CENTER aperture; including this offset keeps the ACS parallels aligned between the two orbits. Dithers are set up to obtain Nyquist sampling in F814W and cover the UVIS chip gap in F275W and F336W. With at least 2 exposures per filter, should allow all data to be cleaned of cosmic rays except for the UVIS chip gap, which will only have single-exposure coverage. A single short exposure is performed in F814W to protect against saturation.

In the second orbit, WFC/IR and ACS run in parallel to obtain 4 primary exposures in F160W, 1 primary exposure in F110W, and 5 parallel exposures in F475W. WFC/IR observations are performed during the second orbit of the visits in order to avoid any persistence issues in case the program observed before our observation uses the IR channel on a bright source. Dithers are set up to obtain Nyquist sampling in F475W and in F160W. A single short exposure is performed in F475W to protect against saturation. WFC3/IR exposures use variations of the STEP100 and STEP200 readout patterns, which protects against saturation in the IR. The F160W exposures use NSAMP=11, SAMP-SEQ=STEP100 (499s) and NSAMP=9, SAMP-SEQ=STEP200 (399s), and the F110W exposure uses NSAMP=11, SAMP-SEQ=STEP200 (799s, long orbit) and NSAMP=13, SAMP-SEQ=STEP100 (699s, short orbit).

**ADDITIONAL COMMENTS**

This brick has a priority value of 17 out of 23.

Proposal 12109 - Visit 01 - A Panchromatic Hubble Andromeda Treasury - I

Sat Jan 26 02:09:38 GMT 2013

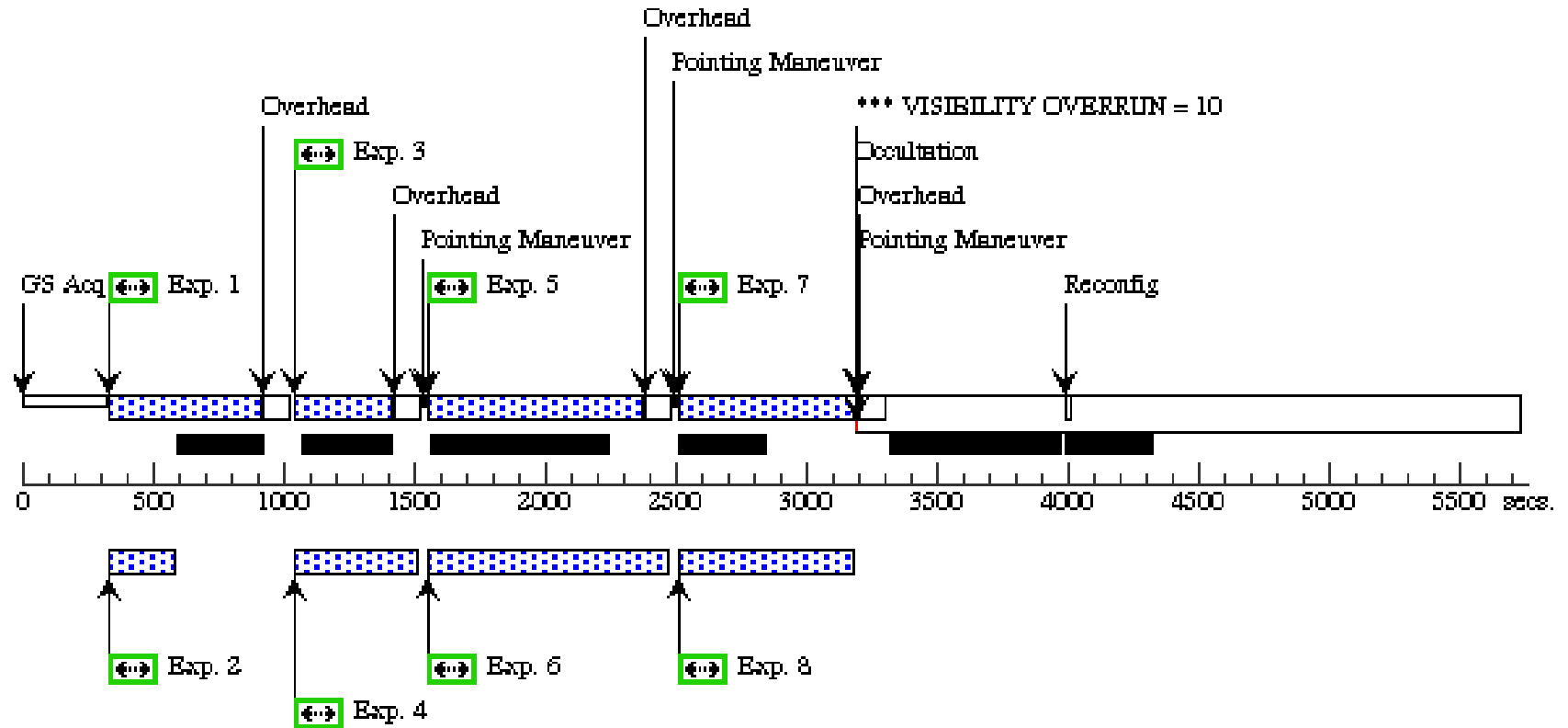
|                      |  |                  |   |                                 |               |                       |
|----------------------|--|------------------|---|---------------------------------|---------------|-----------------------|
| <b>Visit</b>         | <p><b>Proposal 12109, Visit 01, completed</b></p> <p><b>Diagnostic Status: Warning</b></p> <p>Scientific Instruments: WFC3/IR, WFC3/UVIS, ACS/WFC</p> <p>Special Requirements: SCHED 60%; ORIENT 69D TO 69 D</p>   |                  |   |                                 |               |                       |
| <b>Diagnostics</b>   | <p>(Visit 01) Warning (Orbit Planner): PARALLELS SIGNIFICANTLY EXTEND ALIGNMENT TIME</p> <p>(Visit 01) Warning (Orbit Planner): VISIBILITY OVERRUN</p> <p>(Visit 01) Warning (Form): The proposal is part of a large program (100 orbits or more in one cycle) and so should use Schedulability 100.</p> |                  |   |                                 |               |                       |
| <b>Fixed Targets</b> | <b>#</b>   | <b>Name</b>      | <b>Target Coordinates</b>   | <b>Targ. Coord. Corrections</b> | <b>Fluxes</b> | <b>Miscellaneous</b>  |
|                      | (1)  | M31-B03-F01-IR   | RA: 00 43 41.0366 (10.9209858d)<br>Dec: +41 21 9.68 (41.35269d)<br>Equinox: J2000 |                                 | V=20+/-0.1    | Reference Frame: ICRS |
|                      | (2)  | M31-B03-F01-UVIS | RA: 00 43 41.0366 (10.9209858d)<br>Dec: +41 21 9.68 (41.35269d)<br>Equinox: J2000 |                                 | V=20+/-0.1    | Reference Frame: ICRS |
|                      | (3)  | M31-B03-F04-WFC  | RA: 00 43 41.0366 (10.9209858d)<br>Dec: +41 21 9.68 (41.35269d)<br>Equinox: J2000 |                                 | V=20+/-0.1    | Reference Frame: ICRS |

Proposal 12109 - Visit 01 - A Panchromatic Hubble Andromeda Treasury - I

| #         | Label | Target                             | Config,Mode,Aperture  | Spectral Els.                 | Opt. Params. | Special Reqs.                 | Groups                | Exp. Time/[Actual Dur.]                  | Orbit             |     |
|-----------|-------|------------------------------------|-----------------------|-------------------------------|--------------|-------------------------------|-----------------------|--|-------------------|-----|
| Exposures | 1     | M31-B03-F01-UVIS-F3 VIS<br>36W     | (2) M31-B03-F01-U VIS | WFC3/UVIS, ACCUM, UVIS-CENTER | F336W        | CR-SPLIT=NO                   | POS TARG 1.655,2.96   | Prime + Parallel Group 1-2 in Visit 01   | 550 Secs<br>[==>] | [1] |
|           | 2     | M31-B03-F04-WFC-F8 FC<br>14W-short | (3) M31-B03-F04-W FC  | ACS/WFC, ACCUM, WFC           | F814W        |                               |                       | Prime + Parallel Group 1-2 in Visit 01   | 15 Secs<br>[==>]  | [1] |
|           | 3     | M31-B03-F01-UVIS-F2 VIS<br>75W     | (2) M31-B03-F01-U VIS | WFC3/UVIS, ACCUM, UVIS-CENTER | F275W        | CR-SPLIT=NO                   | POS TARG 1.655,2.96   | Prime + Parallel Group 3-4 in Visit 01   | 350 Secs<br>[==>] | [1] |
|           | 4     | M31-B03-F04-WFC-F8 FC<br>14W       | (3) M31-B03-F04-W FC  | ACS/WFC, ACCUM, WFC           | F814W        |                               |                       | Prime + Parallel Group 3-4 in Visit 01   | 350 Secs<br>[==>] | [1] |
|           | 5     | M31-B03-F01-UVIS-F3 VIS<br>36W     | (2) M31-B03-F01-U VIS | WFC3/UVIS, ACCUM, UVIS-CENTER | F336W        | CR-SPLIT=NO                   | POS TARG 1.634,4.882  | Prime + Parallel Group 5-6 in Visit 01   | 800 Secs<br>[==>] | [1] |
|           | 6     | M31-B03-F04-WFC-F8 FC<br>14W       | (3) M31-B03-F04-W FC  | ACS/WFC, ACCUM, WFC           | F814W        |                               |                       | Prime + Parallel Group 5-6 in Visit 01   | 800 Secs<br>[==>] | [1] |
|           | 7     | M31-B03-F01-UVIS-F2 VIS<br>75W     | (2) M31-B03-F01-U VIS | WFC3/UVIS, ACCUM, UVIS-CENTER | F275W        | CR-SPLIT=NO                   | POS TARG 1.525,4.882  | Prime + Parallel Group 7-8 in Visit 01   | 660 Secs<br>[==>] | [1] |
|           | 8     | M31-B03-F04-WFC-F8 FC<br>14W       | (3) M31-B03-F04-W FC  | ACS/WFC, ACCUM, WFC           | F814W        |                               |                       | Prime + Parallel Group 7-8 in Visit 01   | 550 Secs<br>[==>] | [1] |
|           | 9     | M31-B03-F01-IR-f160w               | (1) M31-B03-F01-IR    | WFC3/IR, MULTIACCUM, IR-FIX   | F160W        | NSAMP=9;<br>SAMP-SEQ=STEP200  | POS TARG 0,0          | Prime + Parallel Group 9-10 in Visit 01  | [==>]             | [2] |
|           | 10    | M31-B03-F04-WFC-F4 FC<br>75W-short | (3) M31-B03-F04-W FC  | ACS/WFC, ACCUM, WFC           | F475W        |                               |                       | Prime + Parallel Group 9-10 in Visit 01  | 10 Secs<br>[==>]  | [2] |
|           | 11    | M31-B03-F01-IR-f110w               | (1) M31-B03-F01-IR    | WFC3/IR, MULTIACCUM, IR-FIX   | F110W        | NSAMP=11;<br>SAMP-SEQ=STEP200 | POS TARG 0.187,0.086  | Prime + Parallel Group 11-12 in Visit 01 | [==>]             | [2] |
|           | 12    | M31-B03-F04-WFC-F4 FC<br>75W       | (3) M31-B03-F04-W FC  | ACS/WFC, ACCUM, WFC           | F475W        |                               |                       | Prime + Parallel Group 11-12 in Visit 01 | 700 Secs<br>[==>] | [2] |
|           | 13    | M31-B03-F01-IR-f160w               | (1) M31-B03-F01-IR    | WFC3/IR, MULTIACCUM, IR-FIX   | F160W        | NSAMP=9;<br>SAMP-SEQ=STEP200  | POS TARG 0.206,0.171  | Prime + Parallel Group 13-14 in Visit 01 | [==>]             | [2] |
|           | 14    | M31-B03-F04-WFC-F4 FC<br>75W       | (3) M31-B03-F04-W FC  | ACS/WFC, ACCUM, WFC           | F475W        |                               |                       | Prime + Parallel Group 13-14 in Visit 01 | 360 Secs<br>[==>] | [2] |
|           | 15    | M31-B03-F01-IR-f160w               | (1) M31-B03-F01-IR    | WFC3/IR, MULTIACCUM, IR-FIX   | F160W        | NSAMP=9;<br>SAMP-SEQ=STEP200  | POS TARG 0.263,0.188  | Prime + Parallel Group 15-16 in Visit 01 | [==>]             | [2] |
|           | 16    | M31-B03-F04-WFC-F4 FC<br>75W       | (3) M31-B03-F04-W FC  | ACS/WFC, ACCUM, WFC           | F475W        |                               |                       | Prime + Parallel Group 15-16 in Visit 01 | 360 Secs<br>[==>] | [2] |
|           | 17    | M31-B03-F01-IR-f160w               | (1) M31-B03-F01-IR    | WFC3/IR, MULTIACCUM, IR-FIX   | F160W        | NSAMP=11;<br>SAMP-SEQ=STEP100 | POS TARG 0.204,-0.001 | Prime + Parallel Group 17-18 in Visit 01 | [==>]             | [2] |
|           | 18    | M31-B03-F04-WFC-F4 FC<br>75W       | (3) M31-B03-F04-W FC  | ACS/WFC, ACCUM, WFC           | F475W        |                               |                       | Prime + Parallel Group 17-18 in Visit 01 | 470 Secs<br>[==>] | [2] |

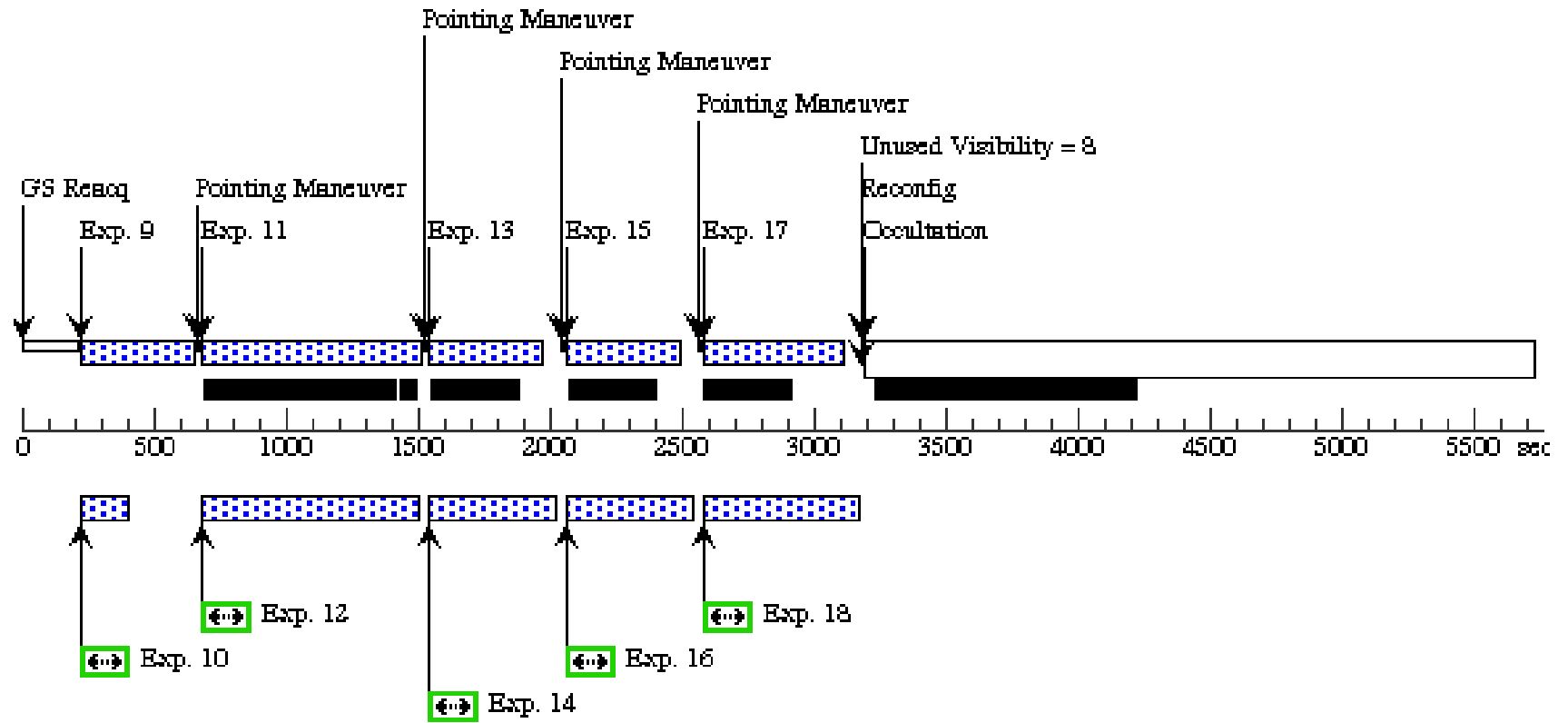
**Orbit 1**

Server Version: 20121031



**Orbit 2**

**Server Version: 20121031**



Proposal 12109 - Visit 02 - A Panchromatic Hubble Andromeda Treasury - I

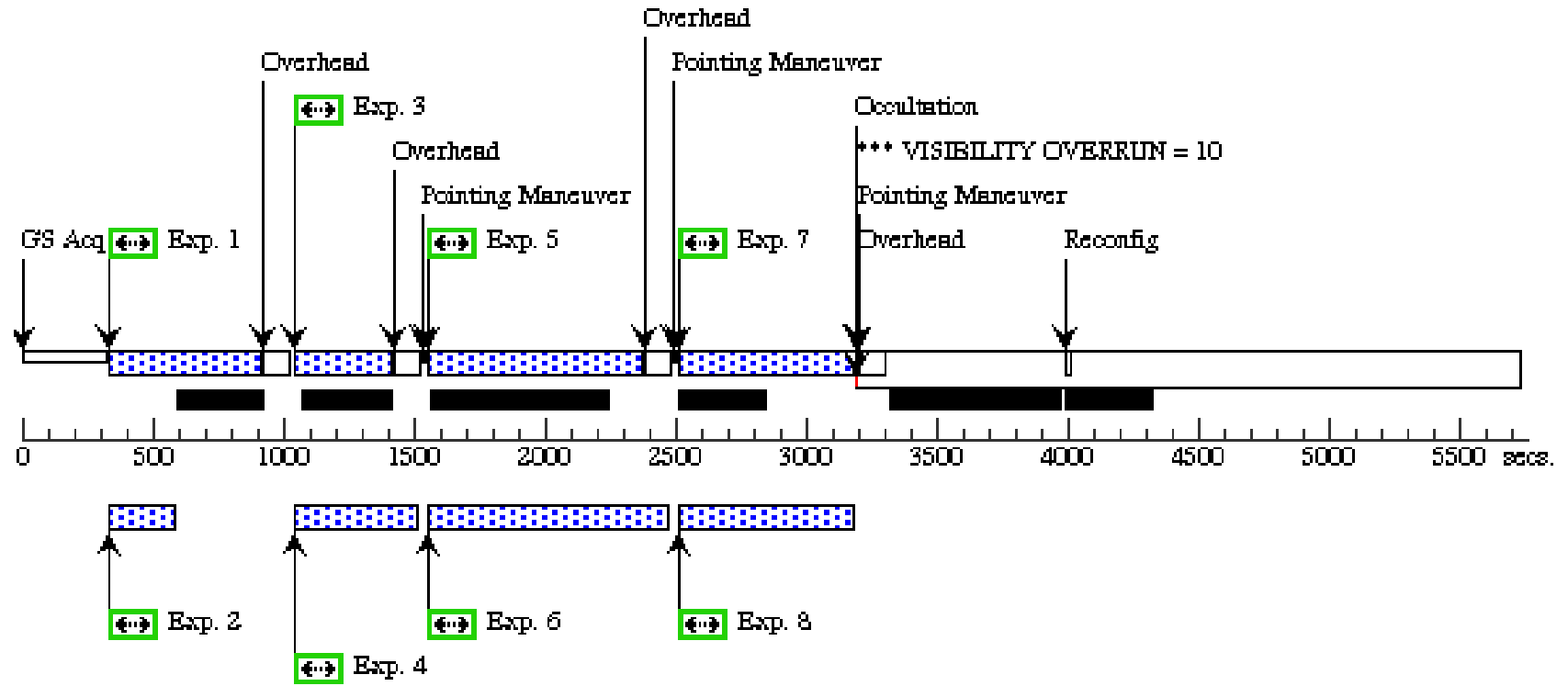
Sat Jan 26 02:09:42 GMT 2013

|                      |  |                  |  |                                 |               |                       |
|----------------------|--|------------------|--|---------------------------------|---------------|-----------------------|
| <b>Visit</b>         | <p><b>Proposal 12109, Visit 02, completed</b></p> <p><b>Diagnostic Status: Warning</b></p> <p>Scientific Instruments: WFC3/IR, WFC3/UVIS, ACS/WFC</p> <p>Special Requirements: SCHED 60%; ORIENT 69D TO 69 D</p>   |                  |  |                                 |               |                       |
| <b>Diagnostics</b>   | <p>(Visit 02) Warning (Orbit Planner): PARALLELS SIGNIFICANTLY EXTEND ALIGNMENT TIME</p> <p>(Visit 02) Warning (Orbit Planner): VISIBILITY OVERRUN</p> <p>(Visit 02) Warning (Form): The proposal is part of a large program (100 orbits or more in one cycle) and so should use Schedulability 100.</p> |                  |  |                                 |               |                       |
| <b>Fixed Targets</b> | <b>#</b>   | <b>Name</b>      | <b>Target Coordinates</b>  | <b>Targ. Coord. Corrections</b> | <b>Fluxes</b> | <b>Miscellaneous</b>  |
|                      | (4)  | M31-B03-F02-IR   | RA: 00 43 31.3980 (10.8808250d)<br>Dec: +41 21 58.00 (41.36611d)<br>Equinox: J2000 |                                 | V=20+/-0.1    | Reference Frame: ICRS |
|                      | (5)  | M31-B03-F02-UVIS | RA: 00 43 31.3980 (10.8808250d)<br>Dec: +41 21 58.00 (41.36611d)<br>Equinox: J2000 |                                 | V=20+/-0.1    | Reference Frame: ICRS |
|                      | (6)  | M31-B03-F05-WFC  | RA: 00 43 31.3980 (10.8808250d)<br>Dec: +41 21 58.00 (41.36611d)<br>Equinox: J2000 |                                 | V=20+/-0.1    | Reference Frame: ICRS |

Proposal 12109 - Visit 02 - A Panchromatic Hubble Andromeda Treasury - I

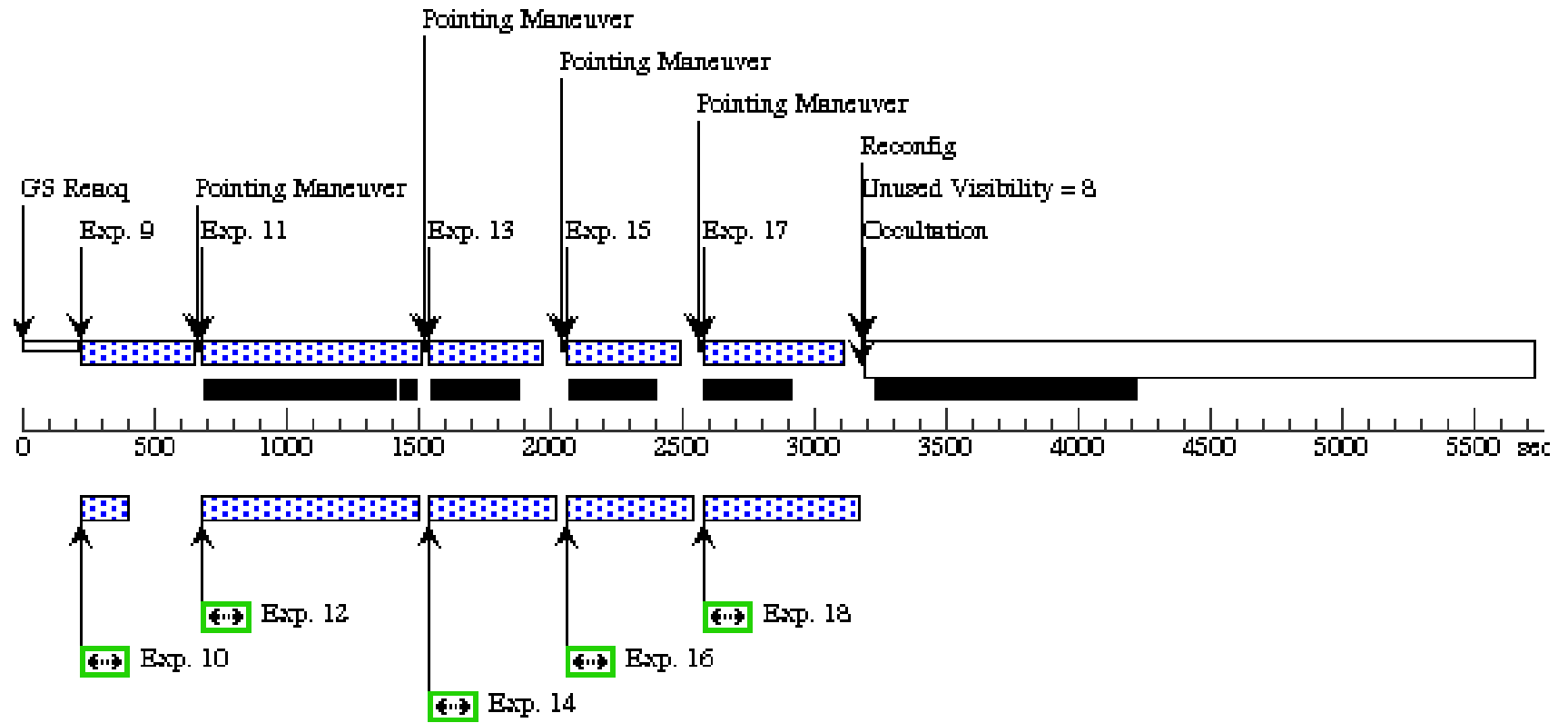
| #         | Label | Target                          | Config,Mode,Aperture     | Spectral Els.                    | Opt. Params. | Special Reqs.                     | Groups                     | Exp. Time/[Actual Dur.]                      | Orbit             |     |
|-----------|-------|---------------------------------|--------------------------|----------------------------------|--------------|-----------------------------------|----------------------------|--|-------------------|-----|
| Exposures | 1     | M31-B03-F02-UVIS-F3<br>36W      | (5) M31-B03-F02-U<br>VIS | WFC3/UVIS, ACCUM,<br>UVIS-CENTER | F336W        | CR-SPLIT=NO                       | POS TARG 1.655,2.<br>96    | Prime + Parallel Gro<br>up 1-2 in Visit 02   | 550 Secs<br>[==>] | [1] |
|           | 2     | M31-B03-F05-WFC-F8<br>14W-short | (6) M31-B03-F05-W<br>FC  | ACS/WFC, ACCUM, WFC              | F814W        |                                   |                            | Prime + Parallel Gro<br>up 1-2 in Visit 02   | 15 Secs<br>[==>]  | [1] |
|           | 3     | M31-B03-F02-UVIS-F2<br>75W      | (5) M31-B03-F02-U<br>VIS | WFC3/UVIS, ACCUM,<br>UVIS-CENTER | F275W        | CR-SPLIT=NO                       | POS TARG 1.655,2.<br>96    | Prime + Parallel Gro<br>up 3-4 in Visit 02   | 350 Secs<br>[==>] | [1] |
|           | 4     | M31-B03-F05-WFC-F8<br>14W       | (6) M31-B03-F05-W<br>FC  | ACS/WFC, ACCUM, WFC              | F814W        |                                   |                            | Prime + Parallel Gro<br>up 3-4 in Visit 02   | 350 Secs<br>[==>] | [1] |
|           | 5     | M31-B03-F02-UVIS-F3<br>36W      | (5) M31-B03-F02-U<br>VIS | WFC3/UVIS, ACCUM,<br>UVIS-CENTER | F336W        | CR-SPLIT=NO                       | POS TARG 1.634,4.<br>882   | Prime + Parallel Gro<br>up 5-6 in Visit 02   | 800 Secs<br>[==>] | [1] |
|           | 6     | M31-B03-F05-WFC-F8<br>14W       | (6) M31-B03-F05-W<br>FC  | ACS/WFC, ACCUM, WFC              | F814W        |                                   |                            | Prime + Parallel Gro<br>up 5-6 in Visit 02   | 800 Secs<br>[==>] | [1] |
|           | 7     | M31-B03-F02-UVIS-F2<br>75W      | (5) M31-B03-F02-U<br>VIS | WFC3/UVIS, ACCUM,<br>UVIS-CENTER | F275W        | CR-SPLIT=NO                       | POS TARG 1.525,4.<br>882   | Prime + Parallel Gro<br>up 7-8 in Visit 02   | 660 Secs<br>[==>] | [1] |
|           | 8     | M31-B03-F05-WFC-F8<br>14W       | (6) M31-B03-F05-W<br>FC  | ACS/WFC, ACCUM, WFC              | F814W        |                                   |                            | Prime + Parallel Gro<br>up 7-8 in Visit 02   | 550 Secs<br>[==>] | [1] |
|           | 9     | M31-B03-F02-IR-f160<br>w        | (4) M31-B03-F02-IR       | WFC3/IR, MULTIACCUM, IR-FIX      | F160W        | NSAMP=9;<br>SAMP-SEQ=STEP2<br>00  | POS TARG 0,0               | Prime + Parallel Gro<br>up 9-10 in Visit 02  | [==>]             | [2] |
|           | 10    | M31-B03-F05-WFC-F4<br>75W-short | (6) M31-B03-F05-W<br>FC  | ACS/WFC, ACCUM, WFC              | F475W        |                                   |                            | Prime + Parallel Gro<br>up 9-10 in Visit 02  | 10 Secs<br>[==>]  | [2] |
|           | 11    | M31-B03-F02-IR-f110<br>w        | (4) M31-B03-F02-IR       | WFC3/IR, MULTIACCUM, IR-FIX      | F110W        | NSAMP=11;<br>SAMP-SEQ=STEP2<br>00 | POS TARG 0.187,0.<br>086   | Prime + Parallel Gro<br>up 11-12 in Visit 02 | [==>]             | [2] |
|           | 12    | M31-B03-F05-WFC-F4<br>75W       | (6) M31-B03-F05-W<br>FC  | ACS/WFC, ACCUM, WFC              | F475W        |                                   |                            | Prime + Parallel Gro<br>up 11-12 in Visit 02 | 700 Secs<br>[==>] | [2] |
|           | 13    | M31-B03-F02-IR-f160<br>w        | (4) M31-B03-F02-IR       | WFC3/IR, MULTIACCUM, IR-FIX      | F160W        | NSAMP=9;<br>SAMP-SEQ=STEP2<br>00  | POS TARG 0.206,0.<br>171   | Prime + Parallel Gro<br>up 13-14 in Visit 02 | [==>]             | [2] |
|           | 14    | M31-B03-F05-WFC-F4<br>75W       | (6) M31-B03-F05-W<br>FC  | ACS/WFC, ACCUM, WFC              | F475W        |                                   |                            | Prime + Parallel Gro<br>up 13-14 in Visit 02 | 360 Secs<br>[==>] | [2] |
|           | 15    | M31-B03-F02-IR-f160<br>w        | (4) M31-B03-F02-IR       | WFC3/IR, MULTIACCUM, IR-FIX      | F160W        | NSAMP=9;<br>SAMP-SEQ=STEP2<br>00  | POS TARG 0.263,0.<br>188   | Prime + Parallel Gro<br>up 15-16 in Visit 02 | [==>]             | [2] |
|           | 16    | M31-B03-F05-WFC-F4<br>75W       | (6) M31-B03-F05-W<br>FC  | ACS/WFC, ACCUM, WFC              | F475W        |                                   |                            | Prime + Parallel Gro<br>up 15-16 in Visit 02 | 360 Secs<br>[==>] | [2] |
|           | 17    | M31-B03-F02-IR-f160<br>w        | (4) M31-B03-F02-IR       | WFC3/IR, MULTIACCUM, IR-FIX      | F160W        | NSAMP=11;<br>SAMP-SEQ=STEP1<br>00 | POS TARG 0.204,-0.<br>.001 | Prime + Parallel Gro<br>up 17-18 in Visit 02 | [==>]             | [2] |
|           | 18    | M31-B03-F05-WFC-F4<br>75W       | (6) M31-B03-F05-W<br>FC  | ACS/WFC, ACCUM, WFC              | F475W        |                                   |                            | Prime + Parallel Gro<br>up 17-18 in Visit 02 | 470 Secs<br>[==>] | [2] |

Orbit 1



Orbit 2

Server Version: 20121031



Proposal 12109 - Visit 03 - A Panchromatic Hubble Andromeda Treasury - I

Sat Jan 26 02:09:45 GMT 2013

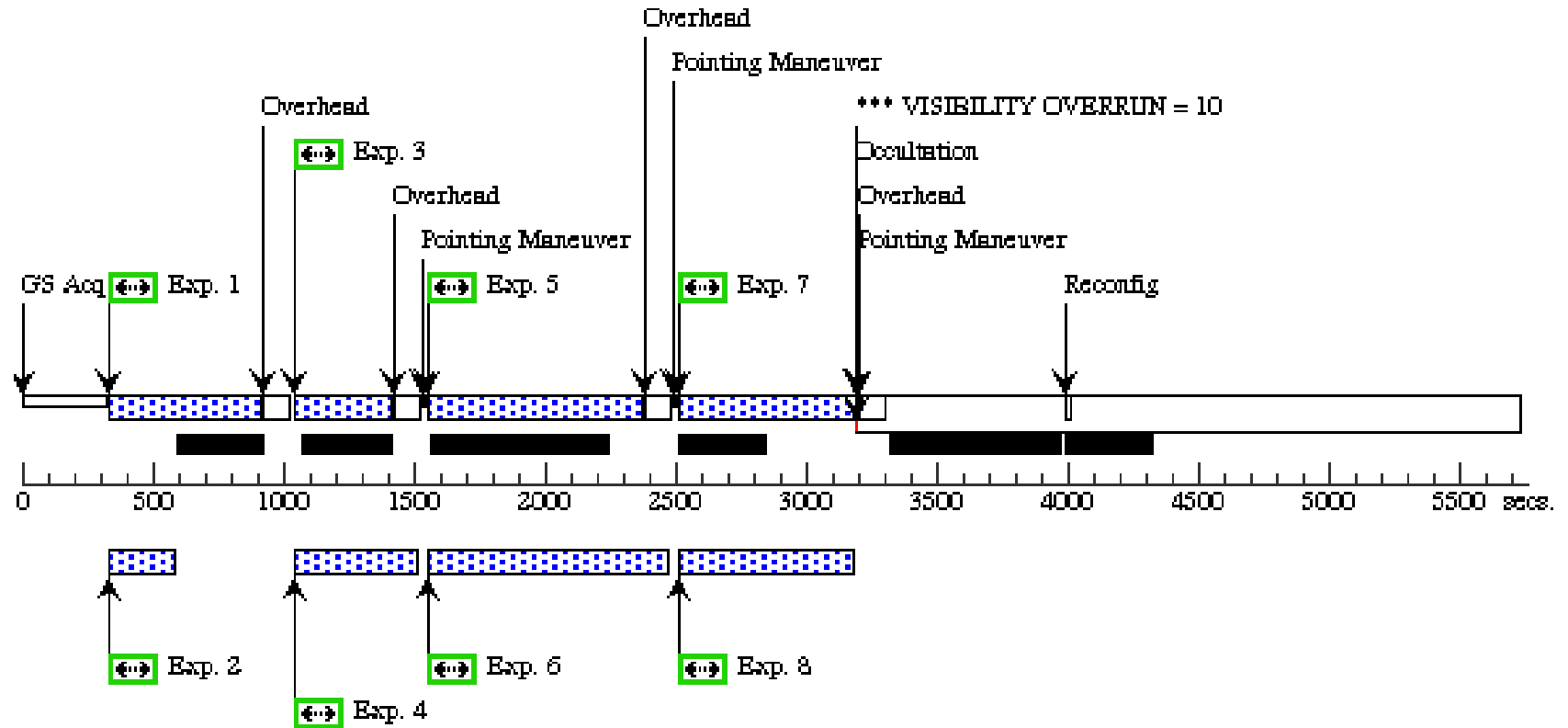
|                      |  |                  |  |                                 |               |                       |
|----------------------|--|------------------|--|---------------------------------|---------------|-----------------------|
| <b>Visit</b>         | <p><b>Proposal 12109, Visit 03, completed</b></p> <p><b>Diagnostic Status: Warning</b></p> <p>Scientific Instruments: WFC3/IR, WFC3/UVIS, ACS/WFC</p> <p>Special Requirements: SCHED 60%; ORIENT 69D TO 69 D</p>   |                  |  |                                 |               |                       |
| <b>Diagnostics</b>   | <p>(Visit 03) Warning (Form): The proposal is part of a large program (100 orbits or more in one cycle) and so should use Schedulability 100.</p> <p>(Visit 03) Warning (Orbit Planner): PARALLELS SIGNIFICANTLY EXTEND ALIGNMENT TIME</p> <p>(Visit 03) Warning (Orbit Planner): VISIBILITY OVERRUN</p> |                  |  |                                 |               |                       |
| <b>Fixed Targets</b> | <b>#</b>   | <b>Name</b>      | <b>Target Coordinates</b>  | <b>Targ. Coord. Corrections</b> | <b>Fluxes</b> | <b>Miscellaneous</b>  |
|                      | (7)  | M31-B03-F03-IR   | RA: 00 43 21.7595 (10.8406646d)<br>Dec: +41 22 46.32 (41.37953d)<br>Equinox: J2000 |                                 | V=20+/-0.1    | Reference Frame: ICRS |
|                      | (8)  | M31-B03-F03-UVIS | RA: 00 43 21.7595 (10.8406646d)<br>Dec: +41 22 46.32 (41.37953d)<br>Equinox: J2000 |                                 | V=20+/-0.1    | Reference Frame: ICRS |
|                      | (9)  | M31-B03-F06-WFC  | RA: 00 43 21.7595 (10.8406646d)<br>Dec: +41 22 46.32 (41.37953d)<br>Equinox: J2000 |                                 | V=20+/-0.1    | Reference Frame: ICRS |

Proposal 12109 - Visit 03 - A Panchromatic Hubble Andromeda Treasury - I

| #         | Label | Target                          | Config,Mode,Aperture     | Spectral Els.                    | Opt. Params. | Special Reqs.                     | Groups                     | Exp. Time/[Actual Dur.]                      | Orbit             |     |
|-----------|-------|---------------------------------|--------------------------|----------------------------------|--------------|-----------------------------------|----------------------------|--|-------------------|-----|
| Exposures | 1     | M31-B03-F03-UVIS-F3<br>36W      | (8) M31-B03-F03-U<br>VIS | WFC3/UVIS, ACCUM,<br>UVIS-CENTER | F336W        | CR-SPLIT=NO                       | POS TARG 1.655,2.<br>96    | Prime + Parallel Gro<br>up 1-2 in Visit 03   | 550 Secs<br>[==>] | [1] |
|           | 2     | M31-B03-F06-WFC-F8<br>14W-short | (9) M31-B03-F06-W<br>FC  | ACS/WFC, ACCUM, WFC              | F814W        |                                   |                            | Prime + Parallel Gro<br>up 1-2 in Visit 03   | 15 Secs<br>[==>]  | [1] |
|           | 3     | M31-B03-F03-UVIS-F2<br>75W      | (8) M31-B03-F03-U<br>VIS | WFC3/UVIS, ACCUM,<br>UVIS-CENTER | F275W        | CR-SPLIT=NO                       | POS TARG 1.655,2.<br>96    | Prime + Parallel Gro<br>up 3-4 in Visit 03   | 350 Secs<br>[==>] | [1] |
|           | 4     | M31-B03-F06-WFC-F8<br>14W       | (9) M31-B03-F06-W<br>FC  | ACS/WFC, ACCUM, WFC              | F814W        |                                   |                            | Prime + Parallel Gro<br>up 3-4 in Visit 03   | 350 Secs<br>[==>] | [1] |
|           | 5     | M31-B03-F03-UVIS-F3<br>36W      | (8) M31-B03-F03-U<br>VIS | WFC3/UVIS, ACCUM,<br>UVIS-CENTER | F336W        | CR-SPLIT=NO                       | POS TARG 1.634,4.<br>882   | Prime + Parallel Gro<br>up 5-6 in Visit 03   | 800 Secs<br>[==>] | [1] |
|           | 6     | M31-B03-F06-WFC-F8<br>14W       | (9) M31-B03-F06-W<br>FC  | ACS/WFC, ACCUM, WFC              | F814W        |                                   |                            | Prime + Parallel Gro<br>up 5-6 in Visit 03   | 800 Secs<br>[==>] | [1] |
|           | 7     | M31-B03-F03-UVIS-F2<br>75W      | (8) M31-B03-F03-U<br>VIS | WFC3/UVIS, ACCUM,<br>UVIS-CENTER | F275W        | CR-SPLIT=NO                       | POS TARG 1.525,4.<br>882   | Prime + Parallel Gro<br>up 7-8 in Visit 03   | 660 Secs<br>[==>] | [1] |
|           | 8     | M31-B03-F06-WFC-F8<br>14W       | (9) M31-B03-F06-W<br>FC  | ACS/WFC, ACCUM, WFC              | F814W        |                                   |                            | Prime + Parallel Gro<br>up 7-8 in Visit 03   | 550 Secs<br>[==>] | [1] |
|           | 9     | M31-B03-F03-IR-f160<br>w        | (7) M31-B03-F03-IR       | WFC3/IR, MULTIACCUM, IR-FIX      | F160W        | NSAMP=9;<br>SAMP-SEQ=STEP2<br>00  | POS TARG 0,0               | Prime + Parallel Gro<br>up 9-10 in Visit 03  | [==>]             | [2] |
|           | 10    | M31-B03-F06-WFC-F4<br>75W-short | (9) M31-B03-F06-W<br>FC  | ACS/WFC, ACCUM, WFC              | F475W        |                                   |                            | Prime + Parallel Gro<br>up 9-10 in Visit 03  | 10 Secs<br>[==>]  | [2] |
|           | 11    | M31-B03-F03-IR-f110<br>w        | (7) M31-B03-F03-IR       | WFC3/IR, MULTIACCUM, IR-FIX      | F110W        | NSAMP=11;<br>SAMP-SEQ=STEP2<br>00 | POS TARG 0.187,0.<br>086   | Prime + Parallel Gro<br>up 11-12 in Visit 03 | [==>]             | [2] |
|           | 12    | M31-B03-F06-WFC-F4<br>75W       | (9) M31-B03-F06-W<br>FC  | ACS/WFC, ACCUM, WFC              | F475W        |                                   |                            | Prime + Parallel Gro<br>up 11-12 in Visit 03 | 700 Secs<br>[==>] | [2] |
|           | 13    | M31-B03-F03-IR-f160<br>w        | (7) M31-B03-F03-IR       | WFC3/IR, MULTIACCUM, IR-FIX      | F160W        | NSAMP=9;<br>SAMP-SEQ=STEP2<br>00  | POS TARG 0.206,0.<br>171   | Prime + Parallel Gro<br>up 13-14 in Visit 03 | [==>]             | [2] |
|           | 14    | M31-B03-F06-WFC-F4<br>75W       | (9) M31-B03-F06-W<br>FC  | ACS/WFC, ACCUM, WFC              | F475W        |                                   |                            | Prime + Parallel Gro<br>up 13-14 in Visit 03 | 360 Secs<br>[==>] | [2] |
|           | 15    | M31-B03-F03-IR-f160<br>w        | (7) M31-B03-F03-IR       | WFC3/IR, MULTIACCUM, IR-FIX      | F160W        | NSAMP=9;<br>SAMP-SEQ=STEP2<br>00  | POS TARG 0.263,0.<br>188   | Prime + Parallel Gro<br>up 15-16 in Visit 03 | [==>]             | [2] |
|           | 16    | M31-B03-F06-WFC-F4<br>75W       | (9) M31-B03-F06-W<br>FC  | ACS/WFC, ACCUM, WFC              | F475W        |                                   |                            | Prime + Parallel Gro<br>up 15-16 in Visit 03 | 360 Secs<br>[==>] | [2] |
|           | 17    | M31-B03-F03-IR-f160<br>w        | (7) M31-B03-F03-IR       | WFC3/IR, MULTIACCUM, IR-FIX      | F160W        | NSAMP=11;<br>SAMP-SEQ=STEP1<br>00 | POS TARG 0.204,-0.<br>.001 | Prime + Parallel Gro<br>up 17-18 in Visit 03 | [==>]             | [2] |
|           | 18    | M31-B03-F06-WFC-F4<br>75W       | (9) M31-B03-F06-W<br>FC  | ACS/WFC, ACCUM, WFC              | F475W        |                                   |                            | Prime + Parallel Gro<br>up 17-18 in Visit 03 | 470 Secs<br>[==>] | [2] |

**Orbit 1**

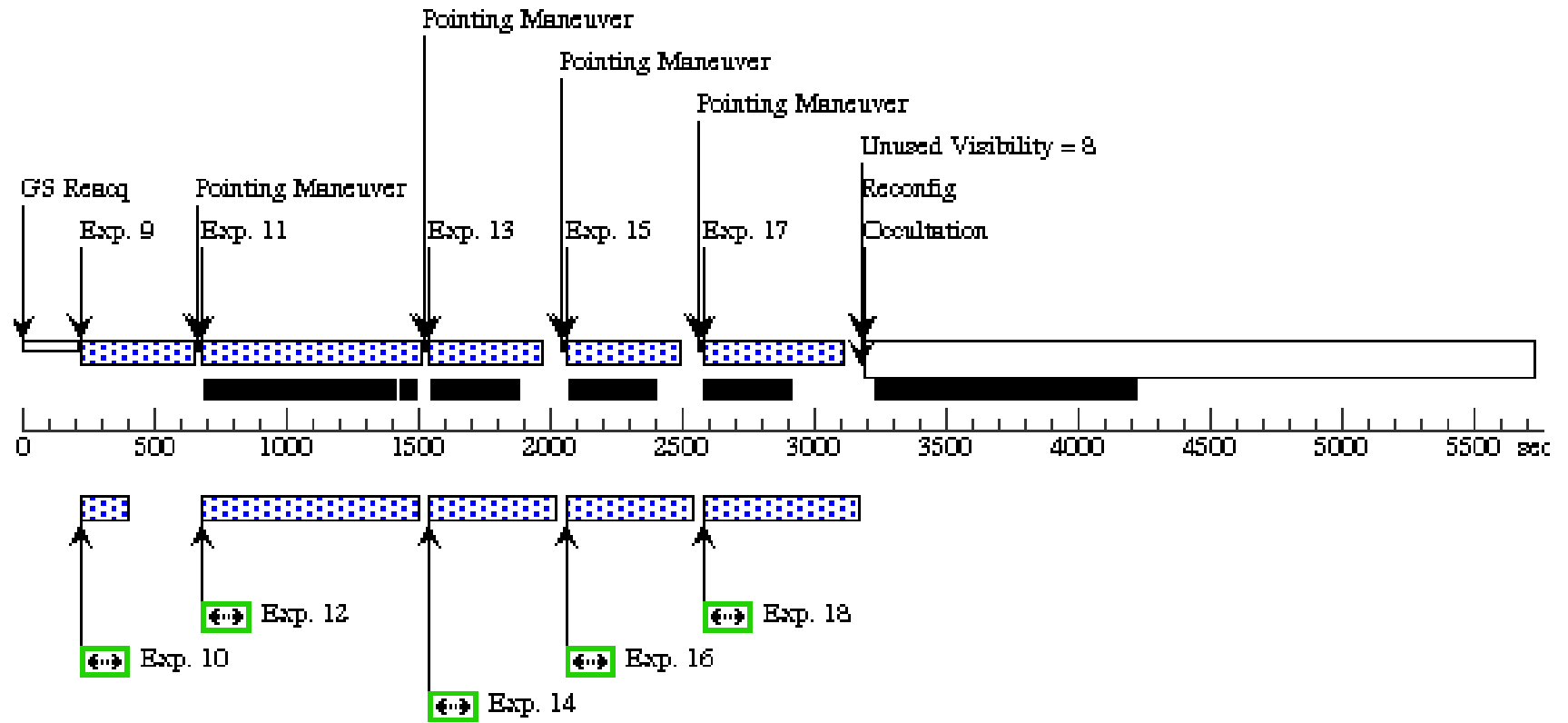
Server Version: 20121031



Orbit Structure

Orbit 2

Server Version: 20121031



Proposal 12109 - Visit 04 - A Panchromatic Hubble Andromeda Treasury - I

Sat Jan 26 02:09:48 GMT 2013

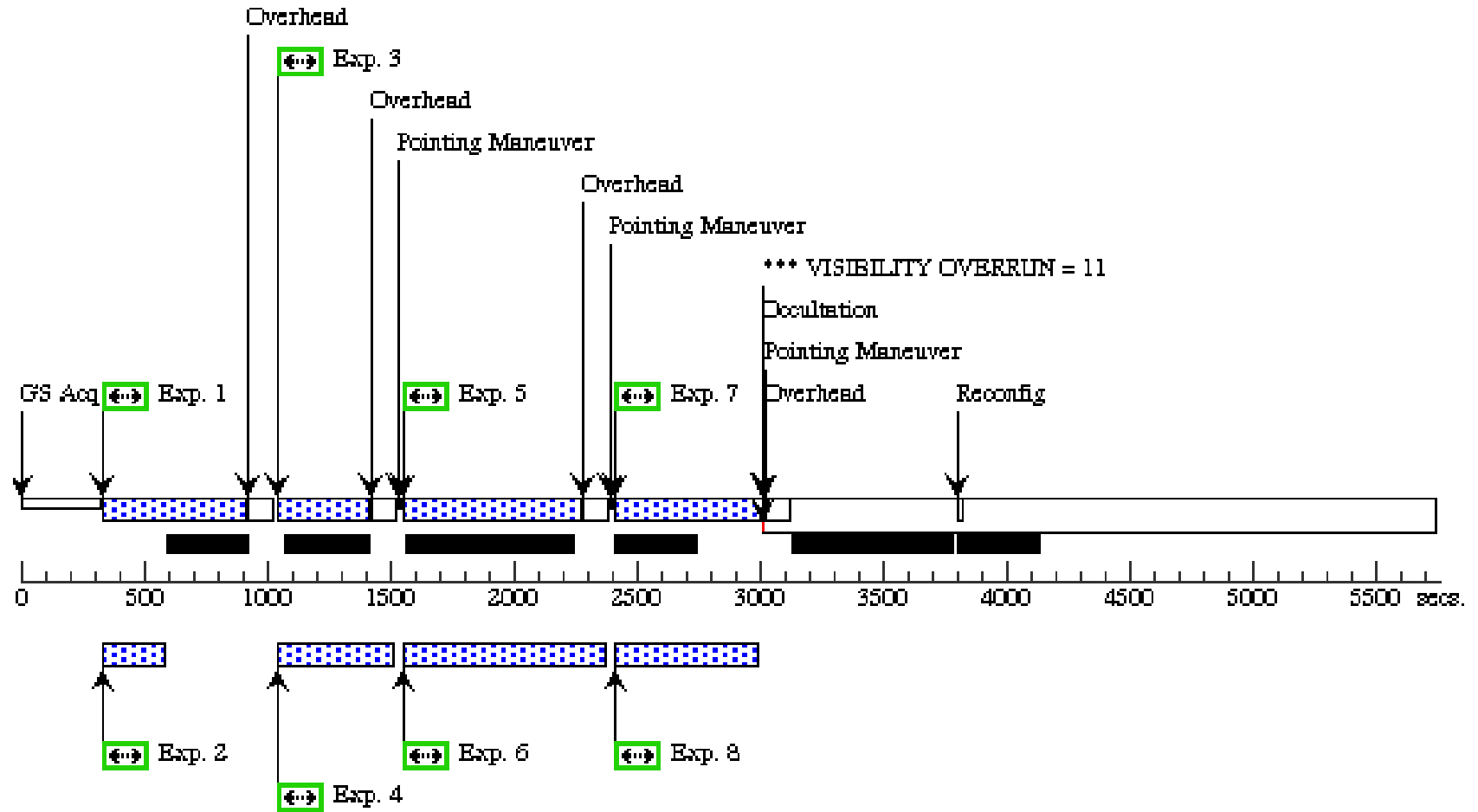
|                      |  |                  |  |                                 |               |                       |
|----------------------|--|------------------|--|---------------------------------|---------------|-----------------------|
| <b>Visit</b>         | <b>Proposal 12109, Visit 04, completed</b><br><b>Diagnostic Status: Warning</b><br>Scientific Instruments: WFC3/IR, WFC3/UVIS, ACS/WFC<br>Special Requirements: SCHED 100%; ORIENT 249D TO 249 D |                  |  |                                 |               |                       |
| <b>Diagnostics</b>   | (Visit 04) Warning (Orbit Planner): VISIBILITY OVERRUN   |                  |  |                                 |               |                       |
|                      | (Visit 04) Warning (Orbit Planner): PARALLELS SIGNIFICANTLY EXTEND ALIGNMENT TIME  |                  |  |                                 |               |                       |
|                      | (Visit 04) Warning (Orbit Planner): PARALLELS SIGNIFICANTLY EXTEND ALIGNMENT TIME  |                  |  |                                 |               |                       |
|                      | (Visit 04) Warning (Orbit Planner): PARALLELS SIGNIFICANTLY EXTEND ALIGNMENT TIME  |                  |  |                                 |               |                       |
| <b>Fixed Targets</b> | <b>#</b>   | <b>Name</b>      | <b>Target Coordinates</b>  | <b>Targ. Coord. Corrections</b> | <b>Fluxes</b> | <b>Miscellaneous</b>  |
|                      | (10)   | M31-B03-F04-IR   | RA: 00 43 11.9078 (10.7996158d)<br>Dec: +41 23 34.64 (41.39296d)<br>Equinox: J2000 |                                 | V=20+/-0.1    | Reference Frame: ICRS |
|                      | (11)   | M31-B03-F04-UVIS | RA: 00 43 11.9078 (10.7996158d)<br>Dec: +41 23 34.64 (41.39296d)<br>Equinox: J2000 |                                 | V=20+/-0.1    | Reference Frame: ICRS |
|                      | (12)   | M31-B03-F01-WFC  | RA: 00 43 11.9078 (10.7996158d)<br>Dec: +41 23 34.64 (41.39296d)<br>Equinox: J2000 |                                 | V=20+/-0.1    | Reference Frame: ICRS |

Proposal 12109 - Visit 04 - A Panchromatic Hubble Andromeda Treasury - I

| #         | Label | Target                       | Config,Mode,Aperture  | Spectral Els.                 | Opt. Params. | Special Reqs.                 | Groups                | Exp. Time/[Actual Dur.]                  | Orbit             |     |
|-----------|-------|------------------------------|-----------------------|-------------------------------|--------------|-------------------------------|-----------------------|--|-------------------|-----|
| Exposures | 1     | M31-B03-F04-UVIS-F3 36W      | (11) M31-B03-F04-UVIS | WFC3/UVIS, ACCUM, UVIS-CENTER | F336W        | CR-SPLIT=NO                   | POS TARG 1.655,2.96   | Prime + Parallel Group 1-2 in Visit 04   | 550 Secs<br>[==>] | [1] |
|           | 2     | M31-B03-F01-WFC-F8 14W-short | (12) M31-B03-F01-WFC  | ACS/WFC, ACCUM, WFC           | F814W        |                               |                       | Prime + Parallel Group 1-2 in Visit 04   | 15 Secs<br>[==>]  | [1] |
|           | 3     | M31-B03-F04-UVIS-F2 75W      | (11) M31-B03-F04-UVIS | WFC3/UVIS, ACCUM, UVIS-CENTER | F275W        | CR-SPLIT=NO                   | POS TARG 1.655,2.96   | Prime + Parallel Group 3-4 in Visit 04   | 350 Secs<br>[==>] | [1] |
|           | 4     | M31-B03-F01-WFC-F8 14W       | (12) M31-B03-F01-WFC  | ACS/WFC, ACCUM, WFC           | F814W        |                               |                       | Prime + Parallel Group 3-4 in Visit 04   | 350 Secs<br>[==>] | [1] |
|           | 5     | M31-B03-F04-UVIS-F3 36W      | (11) M31-B03-F04-UVIS | WFC3/UVIS, ACCUM, UVIS-CENTER | F336W        | CR-SPLIT=NO                   | POS TARG 1.634,4.882  | Prime + Parallel Group 5-6 in Visit 04   | 700 Secs<br>[==>] | [1] |
|           | 6     | M31-B03-F01-WFC-F8 14W       | (12) M31-B03-F01-WFC  | ACS/WFC, ACCUM, WFC           | F814W        |                               |                       | Prime + Parallel Group 5-6 in Visit 04   | 700 Secs<br>[==>] | [1] |
|           | 7     | M31-B03-F04-UVIS-F2 75W      | (11) M31-B03-F04-UVIS | WFC3/UVIS, ACCUM, UVIS-CENTER | F275W        | CR-SPLIT=NO                   | POS TARG 1.525,4.882  | Prime + Parallel Group 7-8 in Visit 04   | 575 Secs<br>[==>] | [1] |
|           | 8     | M31-B03-F01-WFC-F8 14W       | (12) M31-B03-F01-WFC  | ACS/WFC, ACCUM, WFC           | F814W        |                               |                       | Prime + Parallel Group 7-8 in Visit 04   | 455 Secs<br>[==>] | [1] |
|           | 9     | M31-B03-F04-IR-f160w         | (10) M31-B03-F04-IR   | WFC3/IR, MULTIACCUM, IR-FIX   | F160W        | NSAMP=9;<br>SAMP-SEQ=STEP200  | POS TARG 0,0          | Prime + Parallel Group 9-10 in Visit 04  | [==>]             | [2] |
|           | 10    | M31-B03-F01-WFC-F4 75W-short | (12) M31-B03-F01-WFC  | ACS/WFC, ACCUM, WFC           | F475W        |                               |                       | Prime + Parallel Group 9-10 in Visit 04  | 10 Secs<br>[==>]  | [2] |
|           | 11    | M31-B03-F04-IR-f110w         | (10) M31-B03-F04-IR   | WFC3/IR, MULTIACCUM, IR-FIX   | F110W        | NSAMP=13;<br>SAMP-SEQ=STEP100 | POS TARG 0.187,0.086  | Prime + Parallel Group 11-12 in Visit 04 | [==>]             | [2] |
|           | 12    | M31-B03-F01-WFC-F4 75W       | (12) M31-B03-F01-WFC  | ACS/WFC, ACCUM, WFC           | F475W        |                               |                       | Prime + Parallel Group 11-12 in Visit 04 | 600 Secs<br>[==>] | [2] |
|           | 13    | M31-B03-F04-IR-f160w         | (10) M31-B03-F04-IR   | WFC3/IR, MULTIACCUM, IR-FIX   | F160W        | NSAMP=9;<br>SAMP-SEQ=STEP200  | POS TARG 0.206,0.171  | Prime + Parallel Group 13-14 in Visit 04 | [==>]             | [2] |
|           | 14    | M31-B03-F01-WFC-F4 75W       | (12) M31-B03-F01-WFC  | ACS/WFC, ACCUM, WFC           | F475W        |                               |                       | Prime + Parallel Group 13-14 in Visit 04 | 370 Secs<br>[==>] | [2] |
|           | 15    | M31-B03-F04-IR-f160w         | (10) M31-B03-F04-IR   | WFC3/IR, MULTIACCUM, IR-FIX   | F160W        | NSAMP=9;<br>SAMP-SEQ=STEP200  | POS TARG 0.263,0.188  | Prime + Parallel Group 15-16 in Visit 04 | [==>]             | [2] |
|           | 16    | M31-B03-F01-WFC-F4 75W       | (12) M31-B03-F01-WFC  | ACS/WFC, ACCUM, WFC           | F475W        |                               |                       | Prime + Parallel Group 15-16 in Visit 04 | 370 Secs<br>[==>] | [2] |
|           | 17    | M31-B03-F04-IR-f160w         | (10) M31-B03-F04-IR   | WFC3/IR, MULTIACCUM, IR-FIX   | F160W        | NSAMP=9;<br>SAMP-SEQ=STEP200  | POS TARG 0.204,-0.001 | Prime + Parallel Group 17-18 in Visit 04 | [==>]             | [2] |
|           | 18    | M31-B03-F01-WFC-F4 75W       | (12) M31-B03-F01-WFC  | ACS/WFC, ACCUM, WFC           | F475W        |                               |                       | Prime + Parallel Group 17-18 in Visit 04 | 370 Secs<br>[==>] | [2] |

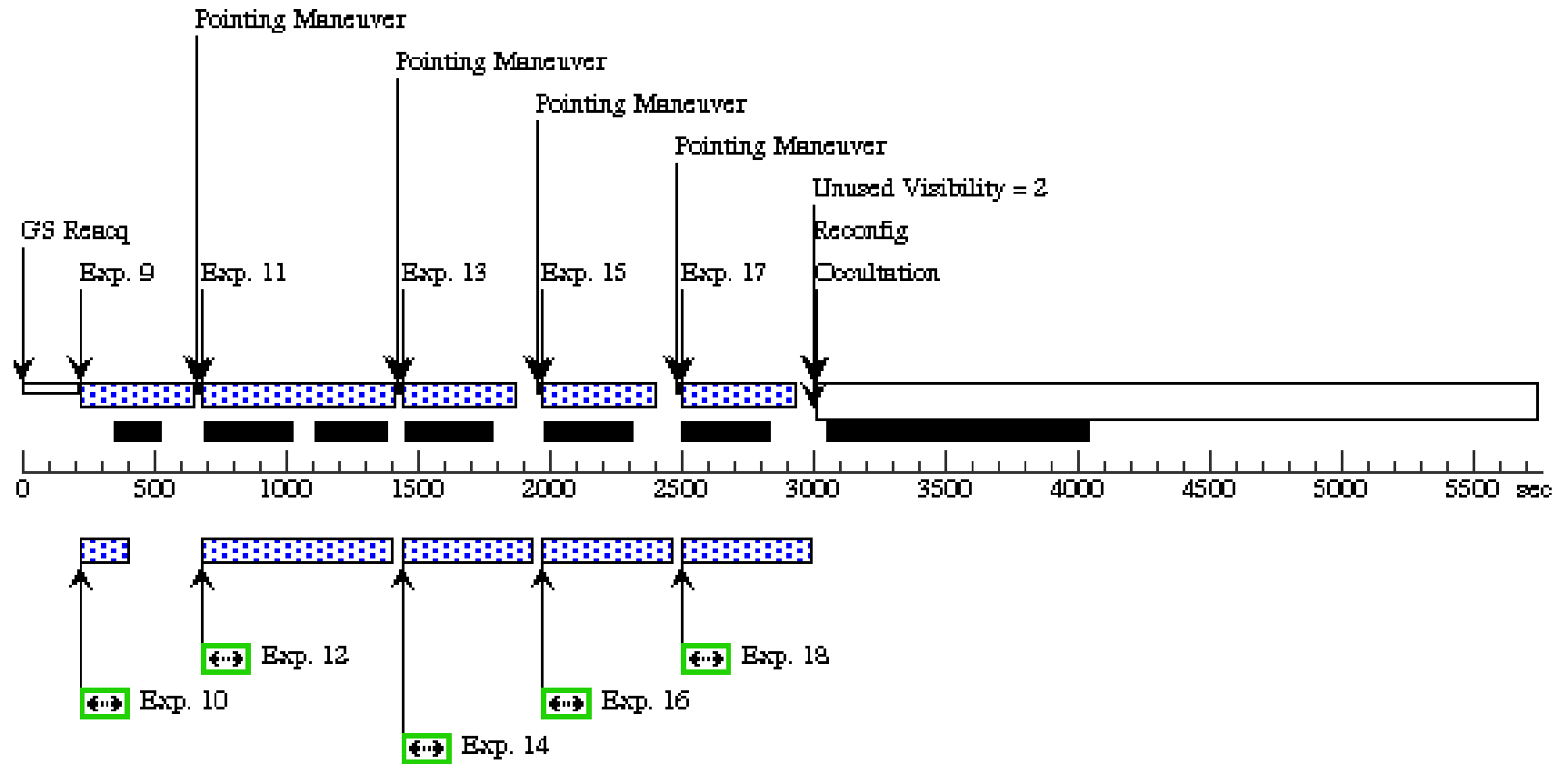
Orbit 1

Orbit Structure



Orbit 2

Server Version: 20121031



Proposal 12109 - Visit 05 - A Panchromatic Hubble Andromeda Treasury - I

Sat Jan 26 02:09:51 GMT 2013

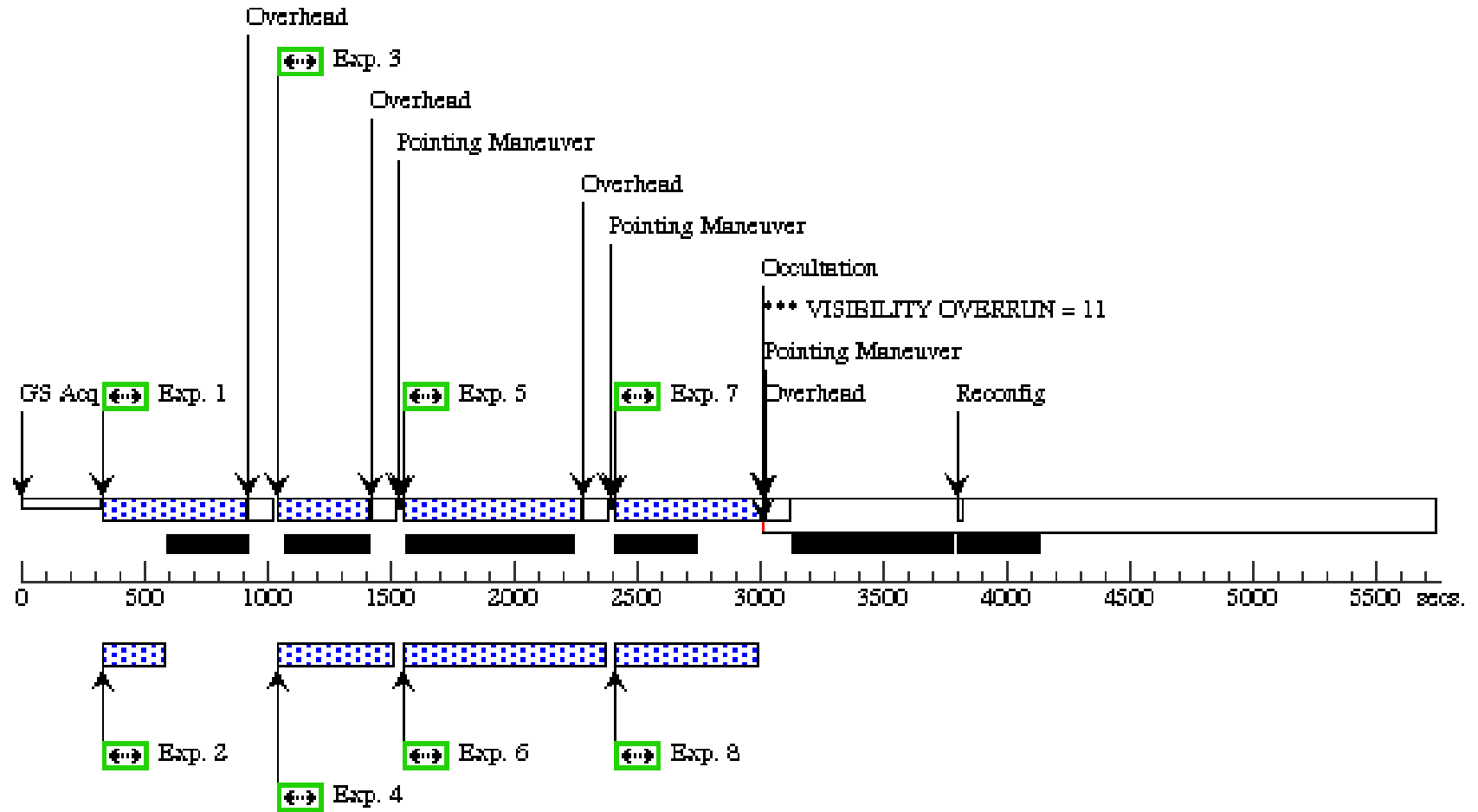
|                      |   |                  |   |                                 |               |                       |
|----------------------|---|------------------|---|---------------------------------|---------------|-----------------------|
| <b>Visit</b>         | <b>Proposal 12109, Visit 05, completed</b><br><b>Diagnostic Status: Warning</b><br>Scientific Instruments: WFC3/IR, WFC3/UVIS, ACS/WFC<br>Special Requirements: SCHED 100%; ORIENT 249D TO 249 D  |                  |   |                                 |               |                       |
| <b>Diagnostics</b>   | (Visit 05) Warning (Orbit Planner): PARALLELS SIGNIFICANTLY EXTEND ALIGNMENT TIME<br>(Visit 05) Warning (Orbit Planner): PARALLELS SIGNIFICANTLY EXTEND ALIGNMENT TIME<br>(Visit 05) Warning (Orbit Planner): PARALLELS SIGNIFICANTLY EXTEND ALIGNMENT TIME<br>(Visit 05) Warning (Orbit Planner): VISIBILITY OVERRUN |                  |   |                                 |               |                       |
| <b>Fixed Targets</b> | <b>#</b>  | <b>Name</b>      | <b>Target Coordinates</b>   | <b>Targ. Coord. Corrections</b> | <b>Fluxes</b> | <b>Miscellaneous</b>  |
|                      | (13)  | M31-B03-F05-IR   | RA: 00 43 2.2693 (10.7594554d)<br>Dec: +41 24 22.96 (41.40638d)<br>Equinox: J2000 |                                 | V=20+/-0.1    | Reference Frame: ICRS |
|                      | (14)  | M31-B03-F05-UVIS | RA: 00 43 2.2693 (10.7594554d)<br>Dec: +41 24 22.96 (41.40638d)<br>Equinox: J2000 |                                 | V=20+/-0.1    | Reference Frame: ICRS |
|                      | (15)  | M31-B03-F02-WFC  | RA: 00 43 2.2693 (10.7594554d)<br>Dec: +41 24 22.96 (41.40638d)<br>Equinox: J2000 |                                 | V=20+/-0.1    | Reference Frame: ICRS |

Proposal 12109 - Visit 05 - A Panchromatic Hubble Andromeda Treasury - I

| #         | Label | Target                       | Config,Mode,Aperture  | Spectral Els.                 | Opt. Params. | Special Reqs.                 | Groups                | Exp. Time/[Actual Dur.]                  | Orbit             |     |
|-----------|-------|------------------------------|-----------------------|-------------------------------|--------------|-------------------------------|-----------------------|--|-------------------|-----|
| Exposures | 1     | M31-B03-F05-UVIS-F3 36W      | (14) M31-B03-F05-UVIS | WFC3/UVIS, ACCUM, UVIS-CENTER | F336W        | CR-SPLIT=NO                   | POS TARG 1.655,2.96   | Prime + Parallel Group 1-2 in Visit 05   | 550 Secs<br>[==>] | [1] |
|           | 2     | M31-B03-F02-WFC-F8 14W-short | (15) M31-B03-F02-WFC  | ACS/WFC, ACCUM, WFC           | F814W        |                               |                       | Prime + Parallel Group 1-2 in Visit 05   | 15 Secs<br>[==>]  | [1] |
|           | 3     | M31-B03-F05-UVIS-F2 75W      | (14) M31-B03-F05-UVIS | WFC3/UVIS, ACCUM, UVIS-CENTER | F275W        | CR-SPLIT=NO                   | POS TARG 1.655,2.96   | Prime + Parallel Group 3-4 in Visit 05   | 350 Secs<br>[==>] | [1] |
|           | 4     | M31-B03-F02-WFC-F8 14W       | (15) M31-B03-F02-WFC  | ACS/WFC, ACCUM, WFC           | F814W        |                               |                       | Prime + Parallel Group 3-4 in Visit 05   | 350 Secs<br>[==>] | [1] |
|           | 5     | M31-B03-F05-UVIS-F3 36W      | (14) M31-B03-F05-UVIS | WFC3/UVIS, ACCUM, UVIS-CENTER | F336W        | CR-SPLIT=NO                   | POS TARG 1.634,4.882  | Prime + Parallel Group 5-6 in Visit 05   | 700 Secs<br>[==>] | [1] |
|           | 6     | M31-B03-F02-WFC-F8 14W       | (15) M31-B03-F02-WFC  | ACS/WFC, ACCUM, WFC           | F814W        |                               |                       | Prime + Parallel Group 5-6 in Visit 05   | 700 Secs<br>[==>] | [1] |
|           | 7     | M31-B03-F05-UVIS-F2 75W      | (14) M31-B03-F05-UVIS | WFC3/UVIS, ACCUM, UVIS-CENTER | F275W        | CR-SPLIT=NO                   | POS TARG 1.525,4.882  | Prime + Parallel Group 7-8 in Visit 05   | 575 Secs<br>[==>] | [1] |
|           | 8     | M31-B03-F02-WFC-F8 14W       | (15) M31-B03-F02-WFC  | ACS/WFC, ACCUM, WFC           | F814W        |                               |                       | Prime + Parallel Group 7-8 in Visit 05   | 455 Secs<br>[==>] | [1] |
|           | 9     | M31-B03-F05-IR-f160w         | (13) M31-B03-F05-IR   | WFC3/IR, MULTIACCUM, IR-FIX   | F160W        | NSAMP=9;<br>SAMP-SEQ=STEP200  | POS TARG 0,0          | Prime + Parallel Group 9-10 in Visit 05  | [==>]             | [2] |
|           | 10    | M31-B03-F02-WFC-F4 75W-short | (15) M31-B03-F02-WFC  | ACS/WFC, ACCUM, WFC           | F475W        |                               |                       | Prime + Parallel Group 9-10 in Visit 05  | 10 Secs<br>[==>]  | [2] |
|           | 11    | M31-B03-F05-IR-f110w         | (13) M31-B03-F05-IR   | WFC3/IR, MULTIACCUM, IR-FIX   | F110W        | NSAMP=13;<br>SAMP-SEQ=STEP100 | POS TARG 0.187,0.086  | Prime + Parallel Group 11-12 in Visit 05 | [==>]             | [2] |
|           | 12    | M31-B03-F02-WFC-F4 75W       | (15) M31-B03-F02-WFC  | ACS/WFC, ACCUM, WFC           | F475W        |                               |                       | Prime + Parallel Group 11-12 in Visit 05 | 600 Secs<br>[==>] | [2] |
|           | 13    | M31-B03-F05-IR-f160w         | (13) M31-B03-F05-IR   | WFC3/IR, MULTIACCUM, IR-FIX   | F160W        | NSAMP=9;<br>SAMP-SEQ=STEP200  | POS TARG 0.206,0.171  | Prime + Parallel Group 13-14 in Visit 05 | [==>]             | [2] |
|           | 14    | M31-B03-F02-WFC-F4 75W       | (15) M31-B03-F02-WFC  | ACS/WFC, ACCUM, WFC           | F475W        |                               |                       | Prime + Parallel Group 13-14 in Visit 05 | 370 Secs<br>[==>] | [2] |
|           | 15    | M31-B03-F05-IR-f160w         | (13) M31-B03-F05-IR   | WFC3/IR, MULTIACCUM, IR-FIX   | F160W        | NSAMP=9;<br>SAMP-SEQ=STEP200  | POS TARG 0.263,0.188  | Prime + Parallel Group 15-16 in Visit 05 | [==>]             | [2] |
|           | 16    | M31-B03-F02-WFC-F4 75W       | (15) M31-B03-F02-WFC  | ACS/WFC, ACCUM, WFC           | F475W        |                               |                       | Prime + Parallel Group 15-16 in Visit 05 | 370 Secs<br>[==>] | [2] |
|           | 17    | M31-B03-F05-IR-f160w         | (13) M31-B03-F05-IR   | WFC3/IR, MULTIACCUM, IR-FIX   | F160W        | NSAMP=9;<br>SAMP-SEQ=STEP200  | POS TARG 0.204,-0.001 | Prime + Parallel Group 17-18 in Visit 05 | [==>]             | [2] |
|           | 18    | M31-B03-F02-WFC-F4 75W       | (15) M31-B03-F02-WFC  | ACS/WFC, ACCUM, WFC           | F475W        |                               |                       | Prime + Parallel Group 17-18 in Visit 05 | 370 Secs<br>[==>] | [2] |

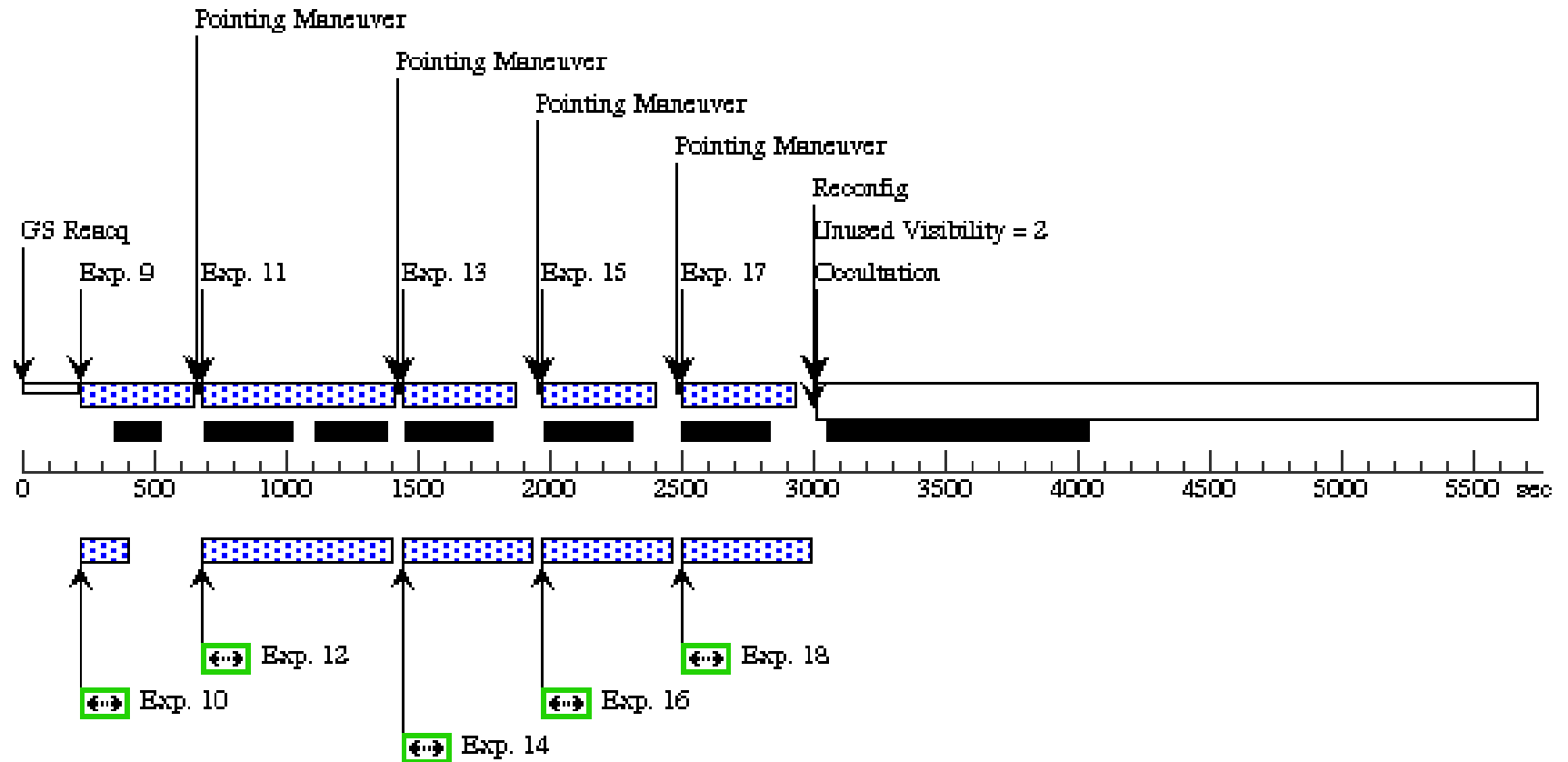
Orbit 1

Orbit Structure



Orbit 2

Server Version: 20121031



Proposal 12109 - Visit 06 - A Panchromatic Hubble Andromeda Treasury - I

Sat Jan 26 02:09:54 GMT 2013

|                      |   |                  |  |                                 |               |                       |
|----------------------|---|------------------|--|---------------------------------|---------------|-----------------------|
| <b>Visit</b>         | <b>Proposal 12109, Visit 06, completed</b><br><b>Diagnostic Status: Warning</b><br>Scientific Instruments: WFC3/IR, WFC3/UVIS, ACS/WFC<br>Special Requirements: SCHED 100%; ORIENT 249D TO 249 D  |                  |  |                                 |               |                       |
| <b>Diagnostics</b>   | (Visit 06) Warning (Orbit Planner): PARALLELS SIGNIFICANTLY EXTEND ALIGNMENT TIME<br>(Visit 06) Warning (Orbit Planner): PARALLELS SIGNIFICANTLY EXTEND ALIGNMENT TIME<br>(Visit 06) Warning (Orbit Planner): PARALLELS SIGNIFICANTLY EXTEND ALIGNMENT TIME<br>(Visit 06) Warning (Orbit Planner): VISIBILITY OVERRUN |                  |  |                                 |               |                       |
| <b>Fixed Targets</b> | <b>#</b>  | <b>Name</b>      | <b>Target Coordinates</b>  | <b>Targ. Coord. Corrections</b> | <b>Fluxes</b> | <b>Miscellaneous</b>  |
|                      | (16)  | M31-B03-F06-IR   | RA: 00 42 52.6307 (10.7192946d)<br>Dec: +41 25 11.28 (41.41980d)<br>Equinox: J2000 |                                 | V=20+/-0.1    | Reference Frame: ICRS |
|                      | (17)  | M31-B03-F06-UVIS | RA: 00 42 52.6307 (10.7192946d)<br>Dec: +41 25 11.28 (41.41980d)<br>Equinox: J2000 |                                 | V=20+/-0.1    | Reference Frame: ICRS |
|                      | (18)  | M31-B03-F03-WFC  | RA: 00 42 52.6307 (10.7192946d)<br>Dec: +41 25 11.28 (41.41980d)<br>Equinox: J2000 |                                 | V=20+/-0.1    | Reference Frame: ICRS |

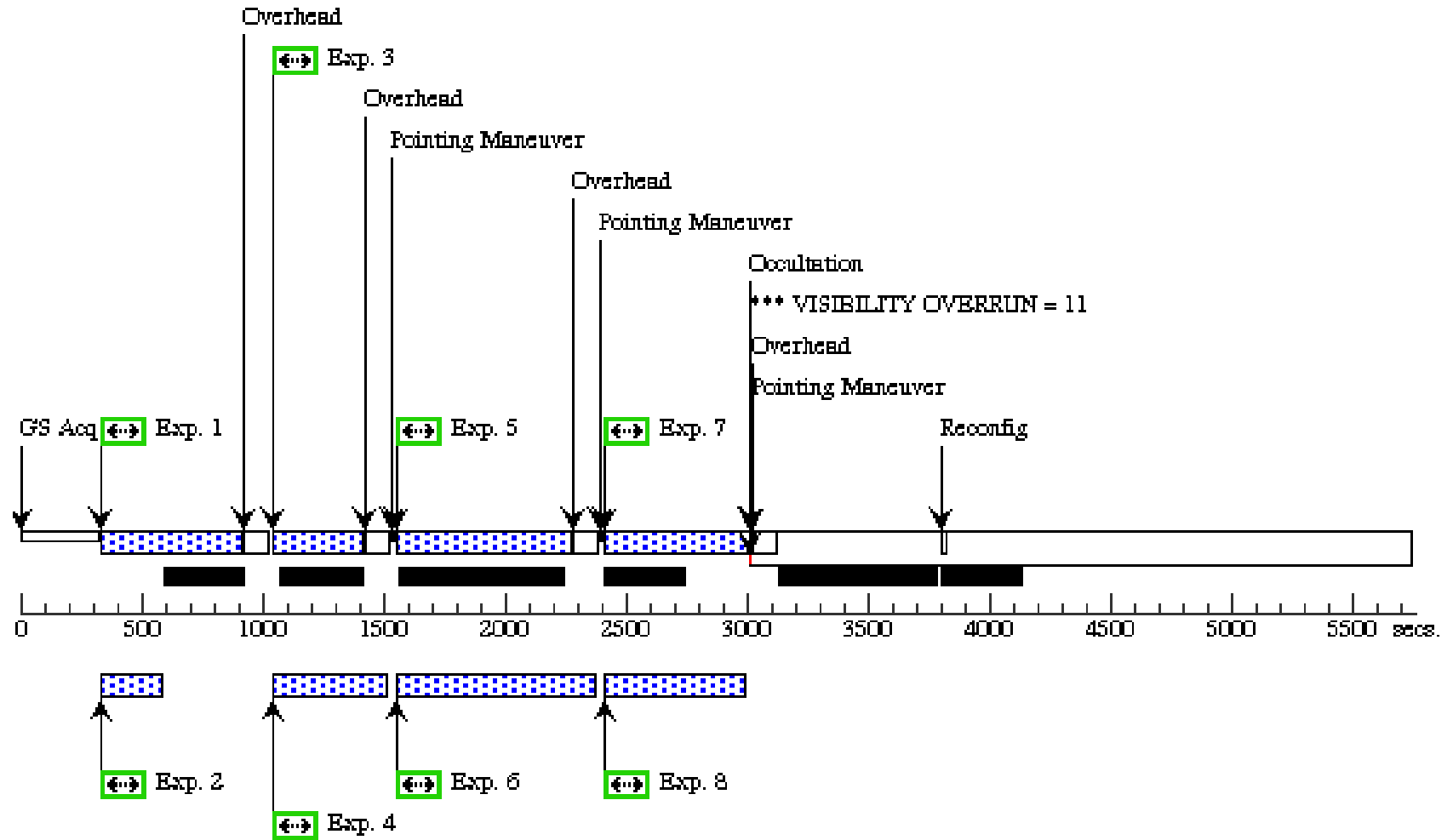
Proposal 12109 - Visit 06 - A Panchromatic Hubble Andromeda Treasury - I

| #         | Label | Target                       | Config,Mode,Aperture  | Spectral Els.                 | Opt. Params. | Special Reqs.                 | Groups                | Exp. Time/[Actual Dur.]                  | Orbit             |     |
|-----------|-------|------------------------------|-----------------------|-------------------------------|--------------|-------------------------------|-----------------------|--|-------------------|-----|
| Exposures | 1     | M31-B03-F06-UVIS-F3 36W      | (17) M31-B03-F06-UVIS | WFC3/UVIS, ACCUM, UVIS-CENTER | F336W        | CR-SPLIT=NO                   | POS TARG 1.655,2.96   | Prime + Parallel Group 1-2 in Visit 06   | 550 Secs<br>[==>] | [1] |
|           | 2     | M31-B03-F03-WFC-F8 14W-short | (18) M31-B03-F03-WFC  | ACS/WFC, ACCUM, WFC           | F814W        |                               |                       | Prime + Parallel Group 1-2 in Visit 06   | 15 Secs<br>[==>]  | [1] |
|           | 3     | M31-B03-F06-UVIS-F2 75W      | (17) M31-B03-F06-UVIS | WFC3/UVIS, ACCUM, UVIS-CENTER | F275W        | CR-SPLIT=NO                   | POS TARG 1.655,2.96   | Prime + Parallel Group 3-4 in Visit 06   | 350 Secs<br>[==>] | [1] |
|           | 4     | M31-B03-F03-WFC-F8 14W       | (18) M31-B03-F03-WFC  | ACS/WFC, ACCUM, WFC           | F814W        |                               |                       | Prime + Parallel Group 3-4 in Visit 06   | 350 Secs<br>[==>] | [1] |
|           | 5     | M31-B03-F06-UVIS-F3 36W      | (17) M31-B03-F06-UVIS | WFC3/UVIS, ACCUM, UVIS-CENTER | F336W        | CR-SPLIT=NO                   | POS TARG 1.634,4.882  | Prime + Parallel Group 5-6 in Visit 06   | 700 Secs<br>[==>] | [1] |
|           | 6     | M31-B03-F03-WFC-F8 14W       | (18) M31-B03-F03-WFC  | ACS/WFC, ACCUM, WFC           | F814W        |                               |                       | Prime + Parallel Group 5-6 in Visit 06   | 700 Secs<br>[==>] | [1] |
|           | 7     | M31-B03-F06-UVIS-F2 75W      | (17) M31-B03-F06-UVIS | WFC3/UVIS, ACCUM, UVIS-CENTER | F275W        | CR-SPLIT=NO                   | POS TARG 1.525,4.882  | Prime + Parallel Group 7-8 in Visit 06   | 575 Secs<br>[==>] | [1] |
|           | 8     | M31-B03-F03-WFC-F8 14W       | (18) M31-B03-F03-WFC  | ACS/WFC, ACCUM, WFC           | F814W        |                               |                       | Prime + Parallel Group 7-8 in Visit 06   | 455 Secs<br>[==>] | [1] |
|           | 9     | M31-B03-F06-IR-f160w         | (16) M31-B03-F06-IR   | WFC3/IR, MULTIACCUM, IR-FIX   | F160W        | NSAMP=9;<br>SAMP-SEQ=STEP200  | POS TARG 0,0          | Prime + Parallel Group 9-10 in Visit 06  | [==>]             | [2] |
|           | 10    | M31-B03-F03-WFC-F4 75W-short | (18) M31-B03-F03-WFC  | ACS/WFC, ACCUM, WFC           | F475W        |                               |                       | Prime + Parallel Group 9-10 in Visit 06  | 10 Secs<br>[==>]  | [2] |
|           | 11    | M31-B03-F06-IR-f110w         | (16) M31-B03-F06-IR   | WFC3/IR, MULTIACCUM, IR-FIX   | F110W        | NSAMP=13;<br>SAMP-SEQ=STEP100 | POS TARG 0.187,0.086  | Prime + Parallel Group 11-12 in Visit 06 | [==>]             | [2] |
|           | 12    | M31-B03-F03-WFC-F4 75W       | (18) M31-B03-F03-WFC  | ACS/WFC, ACCUM, WFC           | F475W        |                               |                       | Prime + Parallel Group 11-12 in Visit 06 | 600 Secs<br>[==>] | [2] |
|           | 13    | M31-B03-F06-IR-f160w         | (16) M31-B03-F06-IR   | WFC3/IR, MULTIACCUM, IR-FIX   | F160W        | NSAMP=9;<br>SAMP-SEQ=STEP200  | POS TARG 0.206,0.171  | Prime + Parallel Group 13-14 in Visit 06 | [==>]             | [2] |
|           | 14    | M31-B03-F03-WFC-F4 75W       | (18) M31-B03-F03-WFC  | ACS/WFC, ACCUM, WFC           | F475W        |                               |                       | Prime + Parallel Group 13-14 in Visit 06 | 370 Secs<br>[==>] | [2] |
|           | 15    | M31-B03-F06-IR-f160w         | (16) M31-B03-F06-IR   | WFC3/IR, MULTIACCUM, IR-FIX   | F160W        | NSAMP=9;<br>SAMP-SEQ=STEP200  | POS TARG 0.263,0.188  | Prime + Parallel Group 15-16 in Visit 06 | [==>]             | [2] |
|           | 16    | M31-B03-F03-WFC-F4 75W       | (18) M31-B03-F03-WFC  | ACS/WFC, ACCUM, WFC           | F475W        |                               |                       | Prime + Parallel Group 15-16 in Visit 06 | 370 Secs<br>[==>] | [2] |
|           | 17    | M31-B03-F06-IR-f160w         | (16) M31-B03-F06-IR   | WFC3/IR, MULTIACCUM, IR-FIX   | F160W        | NSAMP=9;<br>SAMP-SEQ=STEP200  | POS TARG 0.204,-0.001 | Prime + Parallel Group 17-18 in Visit 06 | [==>]             | [2] |
|           | 18    | M31-B03-F03-WFC-F4 75W       | (18) M31-B03-F03-WFC  | ACS/WFC, ACCUM, WFC           | F475W        |                               |                       | Prime + Parallel Group 17-18 in Visit 06 | 370 Secs<br>[==>] | [2] |

Orbit 1

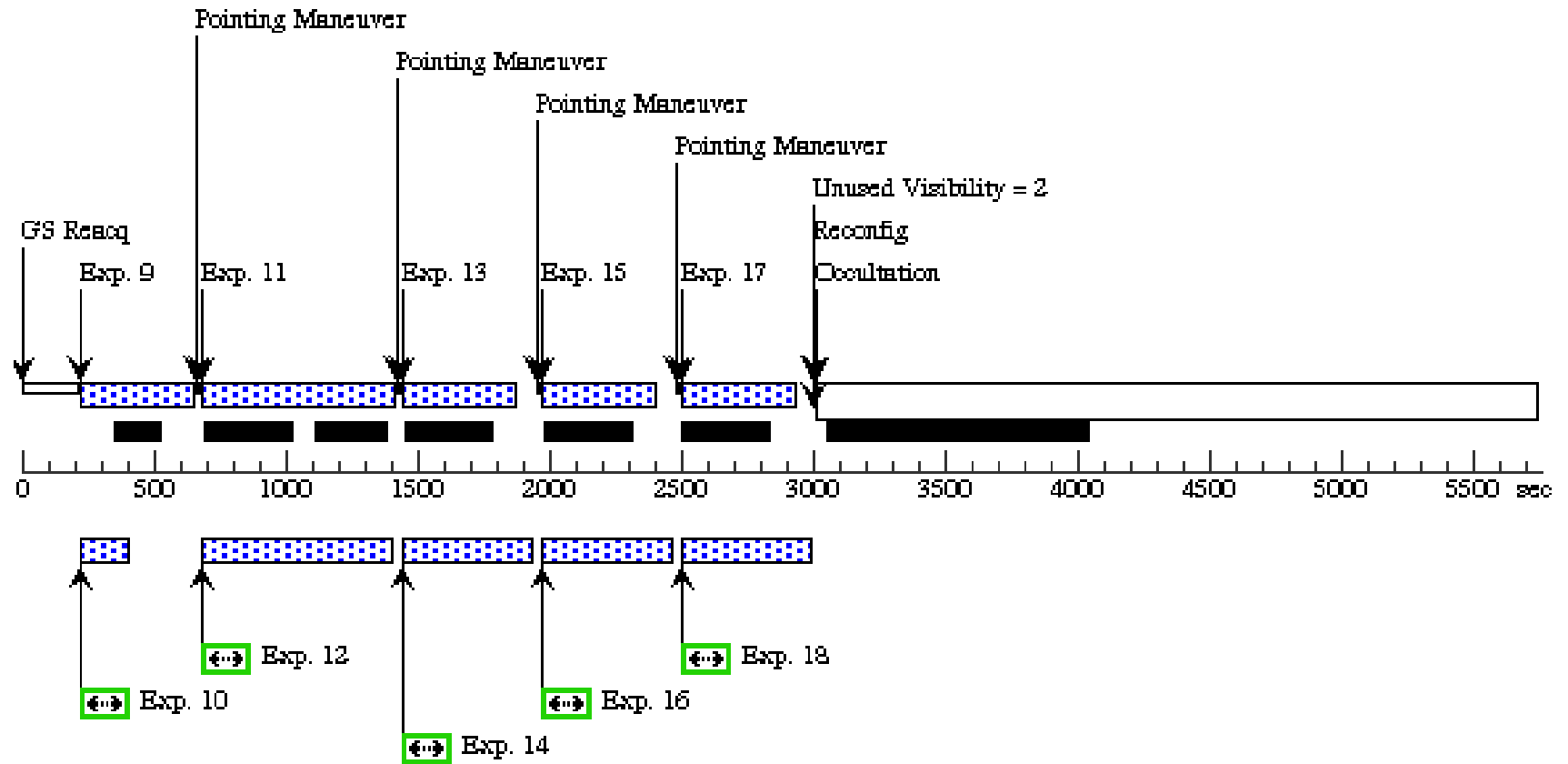
Server Version: 20121031

Orbit Structure



Orbit 2

Server Version: 20121031



Proposal 12109 - Visit 07 - A Panchromatic Hubble Andromeda Treasury - I

Sat Jan 26 02:09:57 GMT 2013

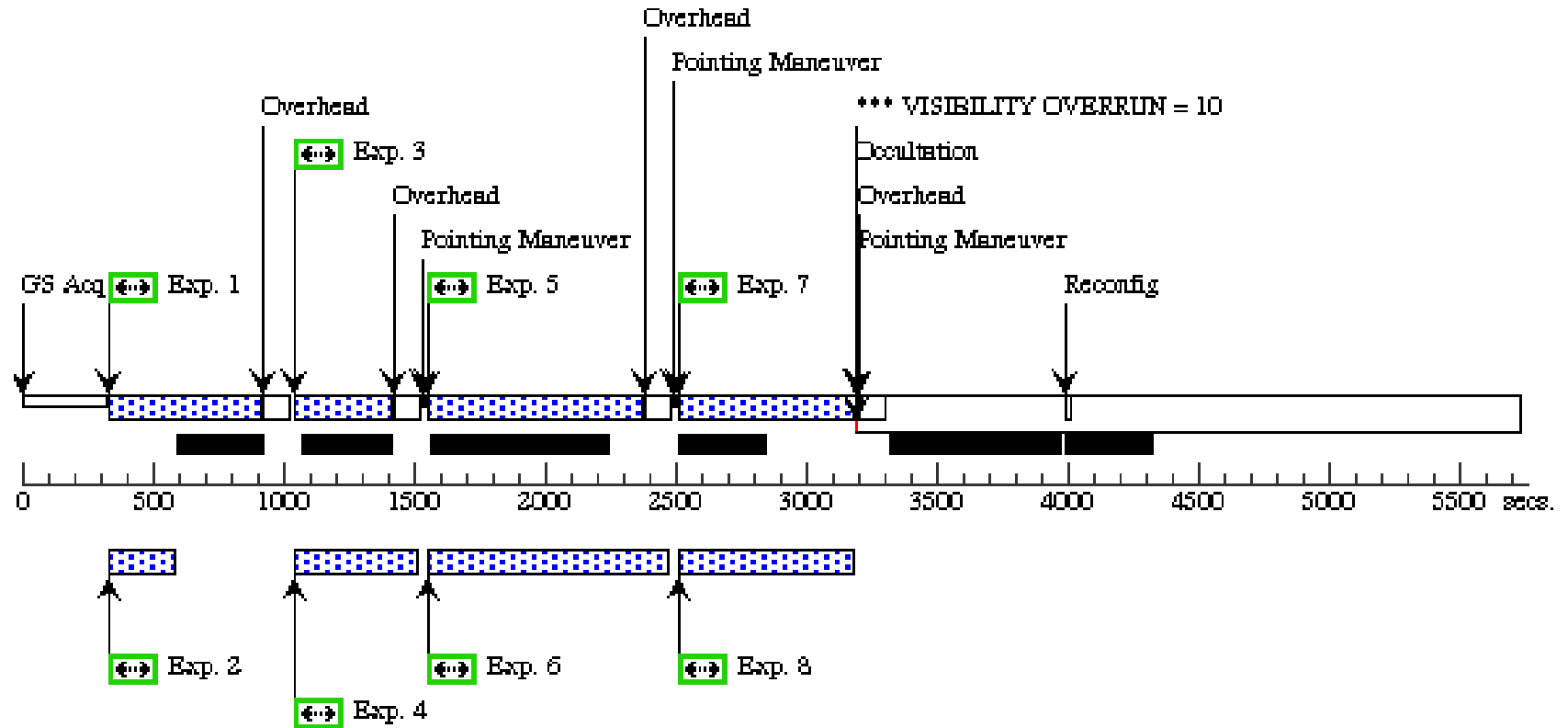
|                      |  |                  |   |                                 |               |                       |
|----------------------|--|------------------|---|---------------------------------|---------------|-----------------------|
| <b>Visit</b>         | <p><b>Proposal 12109, Visit 07, completed</b></p> <p><b>Diagnostic Status: Warning</b></p> <p>Scientific Instruments: WFC3/IR, WFC3/UVIS, ACS/WFC</p> <p>Special Requirements: SCHED 60%; ORIENT 69D TO 69 D</p>   |                  |   |                                 |               |                       |
| <b>Diagnostics</b>   | <p>(Visit 07) Warning (Orbit Planner): VISIBILITY OVERRUN</p> <p>(Visit 07) Warning (Form): The proposal is part of a large program (100 orbits or more in one cycle) and so should use Schedulability 100.</p> <p>(Visit 07) Warning (Orbit Planner): PARALLELS SIGNIFICANTLY EXTEND ALIGNMENT TIME</p> |                  |   |                                 |               |                       |
| <b>Fixed Targets</b> | <b>#</b>   | <b>Name</b>      | <b>Target Coordinates</b>   | <b>Targ. Coord. Corrections</b> | <b>Fluxes</b> | <b>Miscellaneous</b>  |
|                      | (19)   | M31-B03-F07-IR   | RA: 00 43 36.2034 (10.9008475d)<br>Dec: +41 19 7.45 (41.31874d)<br>Equinox: J2000 |                                 | V=20+/-0.1    | Reference Frame: ICRS |
|                      | (20)   | M31-B03-F07-UVIS | RA: 00 43 36.2034 (10.9008475d)<br>Dec: +41 19 7.45 (41.31874d)<br>Equinox: J2000 |                                 | V=20+/-0.1    | Reference Frame: ICRS |
|                      | (21)   | M31-B03-F10-WFC  | RA: 00 43 36.2034 (10.9008475d)<br>Dec: +41 19 7.45 (41.31874d)<br>Equinox: J2000 |                                 | V=20+/-0.1    | Reference Frame: ICRS |

Proposal 12109 - Visit 07 - A Panchromatic Hubble Andromeda Treasury - I

| #         | Label | Target                       | Config,Mode,Aperture  | Spectral Els.                 | Opt. Params. | Special Reqs.                 | Groups                | Exp. Time/[Actual Dur.]                  | Orbit             |     |
|-----------|-------|------------------------------|-----------------------|-------------------------------|--------------|-------------------------------|-----------------------|--|-------------------|-----|
| Exposures | 1     | M31-B03-F07-UVIS-F3 36W      | (20) M31-B03-F07-UVIS | WFC3/UVIS, ACCUM, UVIS-CENTER | F336W        | CR-SPLIT=NO                   | POS TARG 1.655,2.96   | Prime + Parallel Group 1-2 in Visit 07   | 550 Secs<br>[==>] | [1] |
|           | 2     | M31-B03-F10-WFC-F8 14W-short | (21) M31-B03-F10-WFC  | ACS/WFC, ACCUM, WFC           | F814W        |                               |                       | Prime + Parallel Group 1-2 in Visit 07   | 15 Secs<br>[==>]  | [1] |
|           | 3     | M31-B03-F07-UVIS-F2 75W      | (20) M31-B03-F07-UVIS | WFC3/UVIS, ACCUM, UVIS-CENTER | F275W        | CR-SPLIT=NO                   | POS TARG 1.655,2.96   | Prime + Parallel Group 3-4 in Visit 07   | 350 Secs<br>[==>] | [1] |
|           | 4     | M31-B03-F10-WFC-F8 14W       | (21) M31-B03-F10-WFC  | ACS/WFC, ACCUM, WFC           | F814W        |                               |                       | Prime + Parallel Group 3-4 in Visit 07   | 350 Secs<br>[==>] | [1] |
|           | 5     | M31-B03-F07-UVIS-F3 36W      | (20) M31-B03-F07-UVIS | WFC3/UVIS, ACCUM, UVIS-CENTER | F336W        | CR-SPLIT=NO                   | POS TARG 1.634,4.882  | Prime + Parallel Group 5-6 in Visit 07   | 800 Secs<br>[==>] | [1] |
|           | 6     | M31-B03-F10-WFC-F8 14W       | (21) M31-B03-F10-WFC  | ACS/WFC, ACCUM, WFC           | F814W        |                               |                       | Prime + Parallel Group 5-6 in Visit 07   | 800 Secs<br>[==>] | [1] |
|           | 7     | M31-B03-F07-UVIS-F2 75W      | (20) M31-B03-F07-UVIS | WFC3/UVIS, ACCUM, UVIS-CENTER | F275W        | CR-SPLIT=NO                   | POS TARG 1.525,4.882  | Prime + Parallel Group 7-8 in Visit 07   | 660 Secs<br>[==>] | [1] |
|           | 8     | M31-B03-F10-WFC-F8 14W       | (21) M31-B03-F10-WFC  | ACS/WFC, ACCUM, WFC           | F814W        |                               |                       | Prime + Parallel Group 7-8 in Visit 07   | 550 Secs<br>[==>] | [1] |
|           | 9     | M31-B03-F07-IR-f160w         | (19) M31-B03-F07-IR   | WFC3/IR, MULTIACCUM, IR-FIX   | F160W        | NSAMP=9;<br>SAMP-SEQ=STEP200  | POS TARG 0,0          | Prime + Parallel Group 9-10 in Visit 07  | [==>]             | [2] |
|           | 10    | M31-B03-F10-WFC-F4 75W-short | (21) M31-B03-F10-WFC  | ACS/WFC, ACCUM, WFC           | F475W        |                               |                       | Prime + Parallel Group 9-10 in Visit 07  | 10 Secs<br>[==>]  | [2] |
|           | 11    | M31-B03-F07-IR-f110w         | (19) M31-B03-F07-IR   | WFC3/IR, MULTIACCUM, IR-FIX   | F110W        | NSAMP=11;<br>SAMP-SEQ=STEP200 | POS TARG 0.187,0.086  | Prime + Parallel Group 11-12 in Visit 07 | [==>]             | [2] |
|           | 12    | M31-B03-F10-WFC-F4 75W       | (21) M31-B03-F10-WFC  | ACS/WFC, ACCUM, WFC           | F475W        |                               |                       | Prime + Parallel Group 11-12 in Visit 07 | 700 Secs<br>[==>] | [2] |
|           | 13    | M31-B03-F07-IR-f160w         | (19) M31-B03-F07-IR   | WFC3/IR, MULTIACCUM, IR-FIX   | F160W        | NSAMP=9;<br>SAMP-SEQ=STEP200  | POS TARG 0.206,0.171  | Prime + Parallel Group 13-14 in Visit 07 | [==>]             | [2] |
|           | 14    | M31-B03-F10-WFC-F4 75W       | (21) M31-B03-F10-WFC  | ACS/WFC, ACCUM, WFC           | F475W        |                               |                       | Prime + Parallel Group 13-14 in Visit 07 | 360 Secs<br>[==>] | [2] |
|           | 15    | M31-B03-F07-IR-f160w         | (19) M31-B03-F07-IR   | WFC3/IR, MULTIACCUM, IR-FIX   | F160W        | NSAMP=9;<br>SAMP-SEQ=STEP200  | POS TARG 0.263,0.188  | Prime + Parallel Group 15-16 in Visit 07 | [==>]             | [2] |
|           | 16    | M31-B03-F10-WFC-F4 75W       | (21) M31-B03-F10-WFC  | ACS/WFC, ACCUM, WFC           | F475W        |                               |                       | Prime + Parallel Group 15-16 in Visit 07 | 360 Secs<br>[==>] | [2] |
|           | 17    | M31-B03-F07-IR-f160w         | (19) M31-B03-F07-IR   | WFC3/IR, MULTIACCUM, IR-FIX   | F160W        | NSAMP=11;<br>SAMP-SEQ=STEP100 | POS TARG 0.204,-0.001 | Prime + Parallel Group 17-18 in Visit 07 | [==>]             | [2] |
|           | 18    | M31-B03-F10-WFC-F4 75W       | (21) M31-B03-F10-WFC  | ACS/WFC, ACCUM, WFC           | F475W        |                               |                       | Prime + Parallel Group 17-18 in Visit 07 | 470 Secs<br>[==>] | [2] |

**Orbit 1**

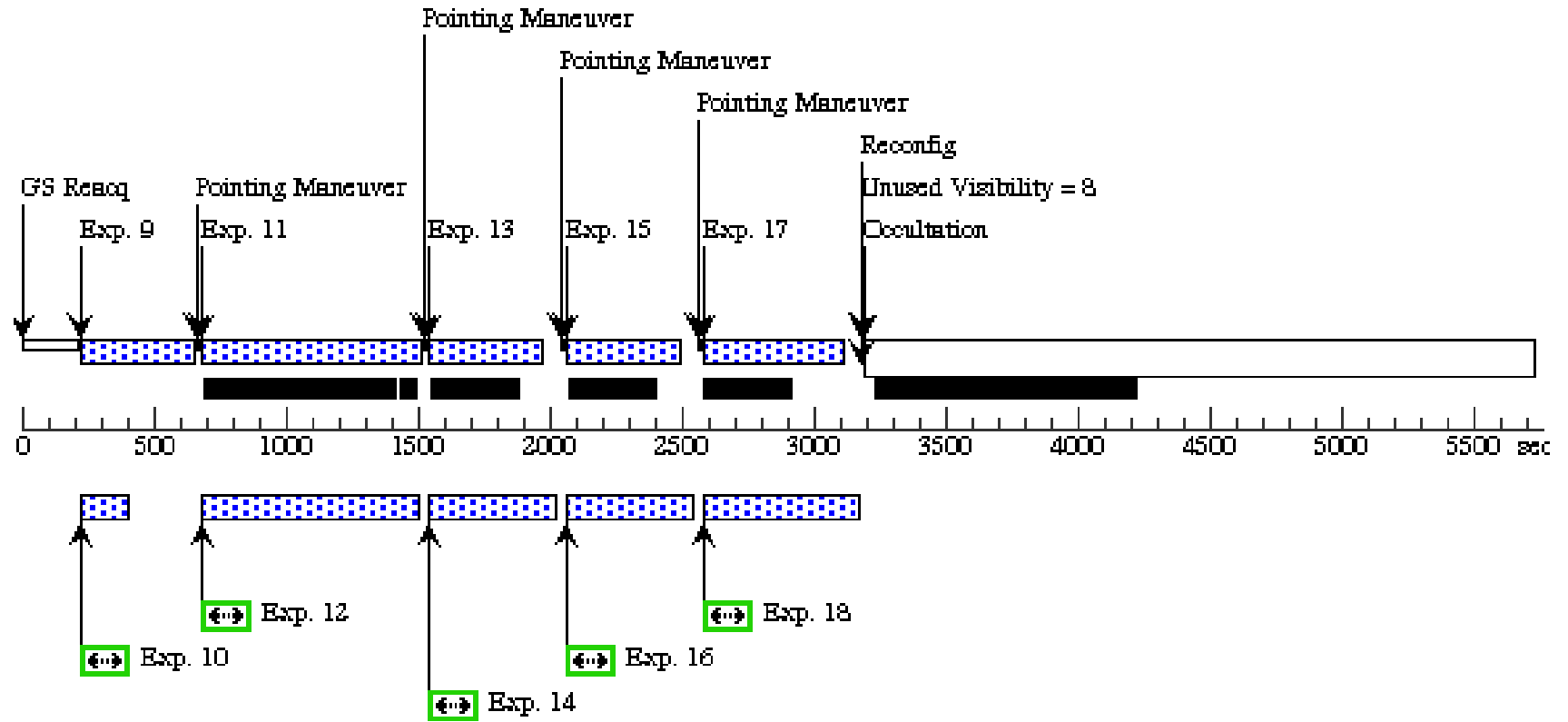
Server Version: 20121031



Orbit Structure

Orbit 2

Server Version: 20121031



Proposal 12109 - Visit 08 - A Panchromatic Hubble Andromeda Treasury - I

Sat Jan 26 02:10:00 GMT 2013

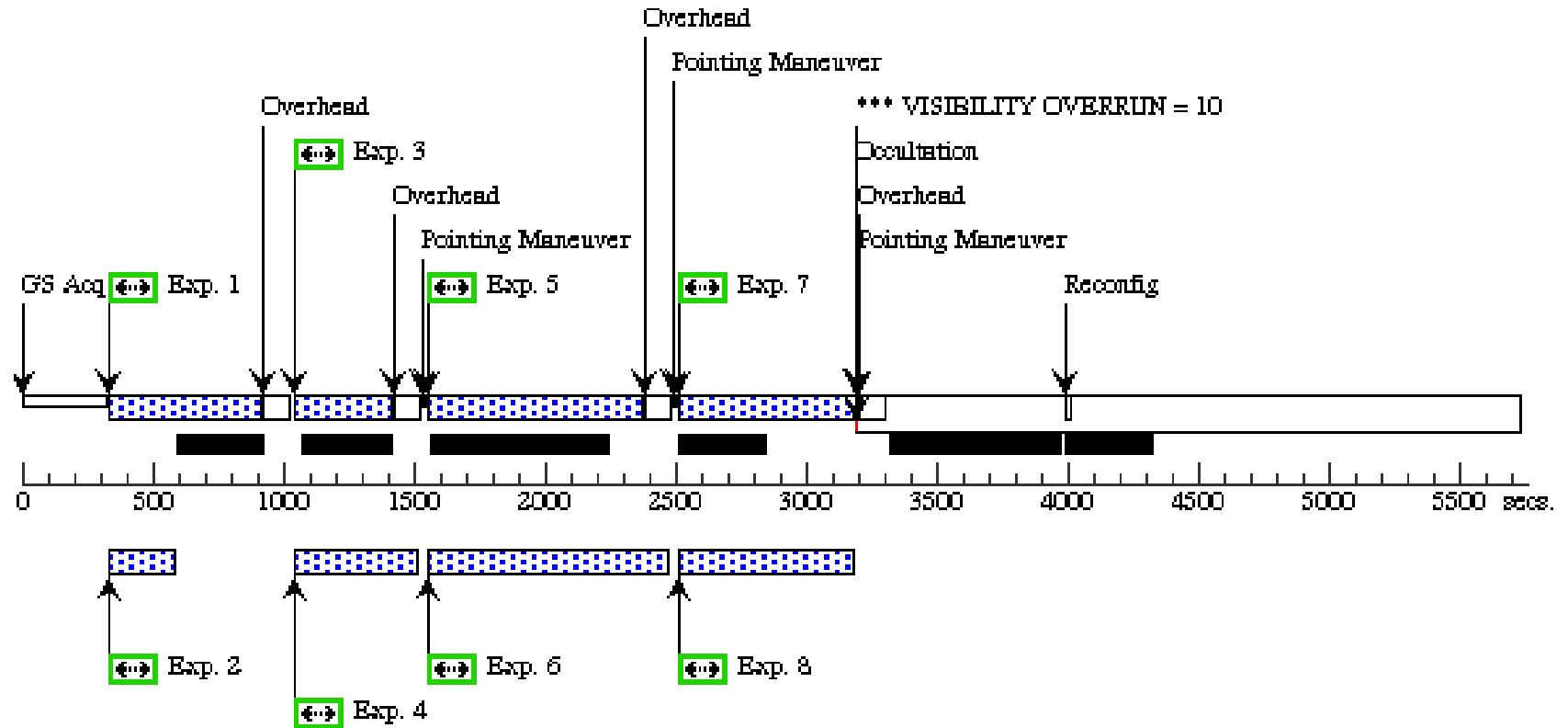
|                      |  |                  |  |                                 |               |                       |
|----------------------|--|------------------|--|---------------------------------|---------------|-----------------------|
| <b>Visit</b>         | <p><b>Proposal 12109, Visit 08, completed</b></p> <p><b>Diagnostic Status: Warning</b></p> <p>Scientific Instruments: WFC3/IR, WFC3/UVIS, ACS/WFC</p> <p>Special Requirements: SCHED 60%; ORIENT 69D TO 69 D</p>   |                  |  |                                 |               |                       |
| <b>Diagnostics</b>   | <p>(Visit 08) Warning (Orbit Planner): VISIBILITY OVERRUN</p> <p>(Visit 08) Warning (Orbit Planner): PARALLELS SIGNIFICANTLY EXTEND ALIGNMENT TIME</p> <p>(Visit 08) Warning (Form): The proposal is part of a large program (100 orbits or more in one cycle) and so should use Schedulability 100.</p> |                  |  |                                 |               |                       |
| <b>Fixed Targets</b> | <b>#</b>   | <b>Name</b>      | <b>Target Coordinates</b>  | <b>Targ. Coord. Corrections</b> | <b>Fluxes</b> | <b>Miscellaneous</b>  |
|                      | (22)   | M31-B03-F08-IR   | RA: 00 43 26.5648 (10.8606867d)<br>Dec: +41 19 55.77 (41.33216d)<br>Equinox: J2000 |                                 | V=20+/-0.1    | Reference Frame: ICRS |
|                      | (23)   | M31-B03-F08-UVIS | RA: 00 43 26.5648 (10.8606867d)<br>Dec: +41 19 55.77 (41.33216d)<br>Equinox: J2000 |                                 | V=20+/-0.1    | Reference Frame: ICRS |
|                      | (24)   | M31-B03-F11-WFC  | RA: 00 43 26.5648 (10.8606867d)<br>Dec: +41 19 55.77 (41.33216d)<br>Equinox: J2000 |                                 | V=20+/-0.1    | Reference Frame: ICRS |

Proposal 12109 - Visit 08 - A Panchromatic Hubble Andromeda Treasury - I

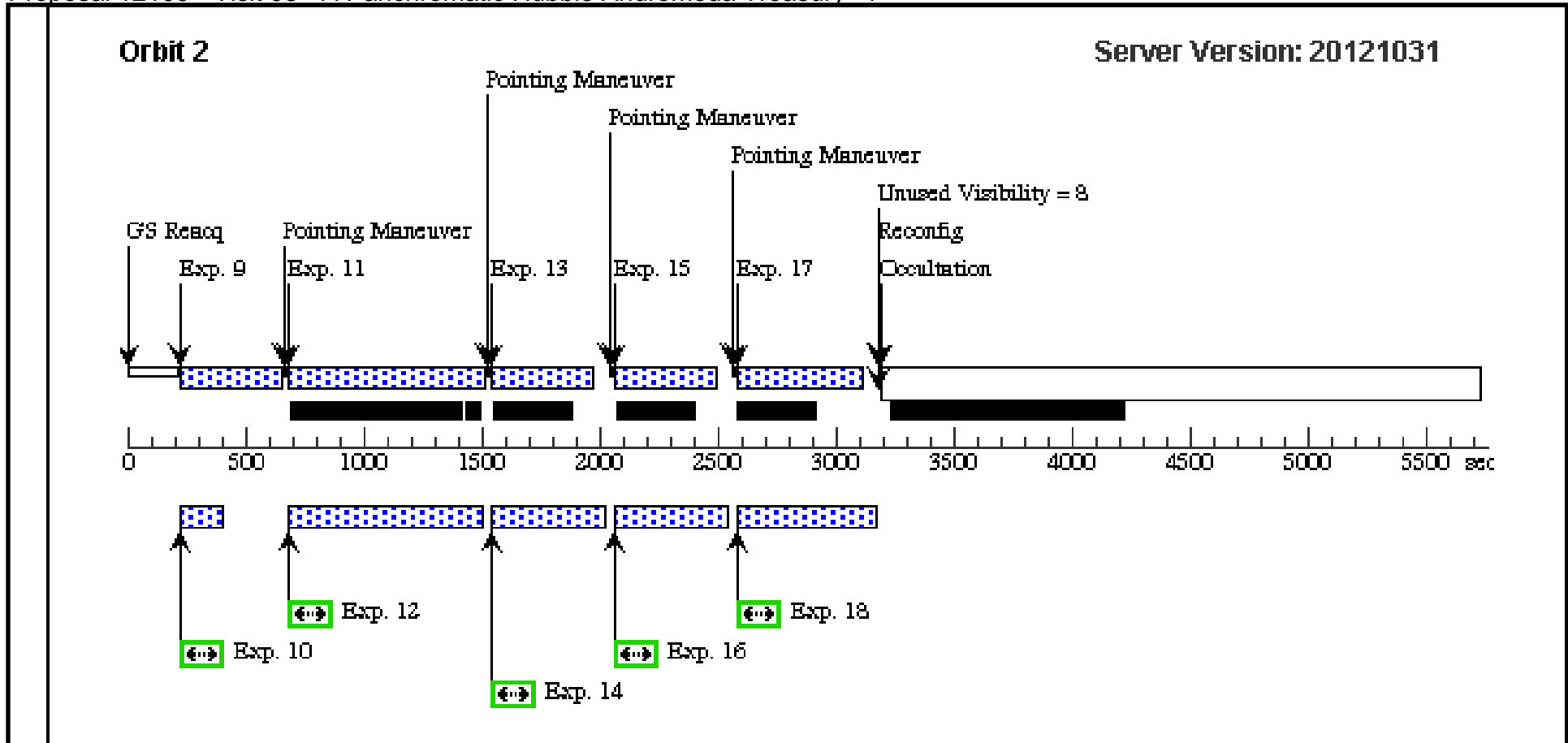
| #         | Label | Target                       | Config,Mode,Aperture  | Spectral Els.                 | Opt. Params. | Special Reqs.                 | Groups                | Exp. Time/[Actual Dur.]                  | Orbit             |     |
|-----------|-------|------------------------------|-----------------------|-------------------------------|--------------|-------------------------------|-----------------------|--|-------------------|-----|
| Exposures | 1     | M31-B03-F08-UVIS-F3 36W      | (23) M31-B03-F08-UVIS | WFC3/UVIS, ACCUM, UVIS-CENTER | F336W        | CR-SPLIT=NO                   | POS TARG 1.655,2.96   | Prime + Parallel Group 1-2 in Visit 08   | 550 Secs<br>[==>] | [1] |
|           | 2     | M31-B03-F11-WFC-F8 14W-short | (24) M31-B03-F11-WFC  | ACS/WFC, ACCUM, WFC           | F814W        |                               |                       | Prime + Parallel Group 1-2 in Visit 08   | 15 Secs<br>[==>]  | [1] |
|           | 3     | M31-B03-F08-UVIS-F2 75W      | (23) M31-B03-F08-UVIS | WFC3/UVIS, ACCUM, UVIS-CENTER | F275W        | CR-SPLIT=NO                   | POS TARG 1.655,2.96   | Prime + Parallel Group 3-4 in Visit 08   | 350 Secs<br>[==>] | [1] |
|           | 4     | M31-B03-F11-WFC-F8 14W       | (24) M31-B03-F11-WFC  | ACS/WFC, ACCUM, WFC           | F814W        |                               |                       | Prime + Parallel Group 3-4 in Visit 08   | 350 Secs<br>[==>] | [1] |
|           | 5     | M31-B03-F08-UVIS-F3 36W      | (23) M31-B03-F08-UVIS | WFC3/UVIS, ACCUM, UVIS-CENTER | F336W        | CR-SPLIT=NO                   | POS TARG 1.634,4.882  | Prime + Parallel Group 5-6 in Visit 08   | 800 Secs<br>[==>] | [1] |
|           | 6     | M31-B03-F11-WFC-F8 14W       | (24) M31-B03-F11-WFC  | ACS/WFC, ACCUM, WFC           | F814W        |                               |                       | Prime + Parallel Group 5-6 in Visit 08   | 800 Secs<br>[==>] | [1] |
|           | 7     | M31-B03-F08-UVIS-F2 75W      | (23) M31-B03-F08-UVIS | WFC3/UVIS, ACCUM, UVIS-CENTER | F275W        | CR-SPLIT=NO                   | POS TARG 1.525,4.882  | Prime + Parallel Group 7-8 in Visit 08   | 660 Secs<br>[==>] | [1] |
|           | 8     | M31-B03-F11-WFC-F8 14W       | (24) M31-B03-F11-WFC  | ACS/WFC, ACCUM, WFC           | F814W        |                               |                       | Prime + Parallel Group 7-8 in Visit 08   | 550 Secs<br>[==>] | [1] |
|           | 9     | M31-B03-F08-IR-f160w         | (22) M31-B03-F08-IR   | WFC3/IR, MULTIACCUM, IR-FIX   | F160W        | NSAMP=9;<br>SAMP-SEQ=STEP200  | POS TARG 0,0          | Prime + Parallel Group 9-10 in Visit 08  | [==>]             | [2] |
|           | 10    | M31-B03-F11-WFC-F4 75W-short | (24) M31-B03-F11-WFC  | ACS/WFC, ACCUM, WFC           | F475W        |                               |                       | Prime + Parallel Group 9-10 in Visit 08  | 10 Secs<br>[==>]  | [2] |
|           | 11    | M31-B03-F08-IR-f110w         | (22) M31-B03-F08-IR   | WFC3/IR, MULTIACCUM, IR-FIX   | F110W        | NSAMP=11;<br>SAMP-SEQ=STEP200 | POS TARG 0.187,0.086  | Prime + Parallel Group 11-12 in Visit 08 | [==>]             | [2] |
|           | 12    | M31-B03-F11-WFC-F4 75W       | (24) M31-B03-F11-WFC  | ACS/WFC, ACCUM, WFC           | F475W        |                               |                       | Prime + Parallel Group 11-12 in Visit 08 | 700 Secs<br>[==>] | [2] |
|           | 13    | M31-B03-F08-IR-f160w         | (22) M31-B03-F08-IR   | WFC3/IR, MULTIACCUM, IR-FIX   | F160W        | NSAMP=9;<br>SAMP-SEQ=STEP200  | POS TARG 0.206,0.171  | Prime + Parallel Group 13-14 in Visit 08 | [==>]             | [2] |
|           | 14    | M31-B03-F11-WFC-F4 75W       | (24) M31-B03-F11-WFC  | ACS/WFC, ACCUM, WFC           | F475W        |                               |                       | Prime + Parallel Group 13-14 in Visit 08 | 360 Secs<br>[==>] | [2] |
|           | 15    | M31-B03-F08-IR-f160w         | (22) M31-B03-F08-IR   | WFC3/IR, MULTIACCUM, IR-FIX   | F160W        | NSAMP=9;<br>SAMP-SEQ=STEP200  | POS TARG 0.263,0.188  | Prime + Parallel Group 15-16 in Visit 08 | [==>]             | [2] |
|           | 16    | M31-B03-F11-WFC-F4 75W       | (24) M31-B03-F11-WFC  | ACS/WFC, ACCUM, WFC           | F475W        |                               |                       | Prime + Parallel Group 15-16 in Visit 08 | 360 Secs<br>[==>] | [2] |
|           | 17    | M31-B03-F08-IR-f160w         | (22) M31-B03-F08-IR   | WFC3/IR, MULTIACCUM, IR-FIX   | F160W        | NSAMP=11;<br>SAMP-SEQ=STEP100 | POS TARG 0.204,-0.001 | Prime + Parallel Group 17-18 in Visit 08 | [==>]             | [2] |
|           | 18    | M31-B03-F11-WFC-F4 75W       | (24) M31-B03-F11-WFC  | ACS/WFC, ACCUM, WFC           | F475W        |                               |                       | Prime + Parallel Group 17-18 in Visit 08 | 470 Secs<br>[==>] | [2] |

**Orbit 1**

Server Version: 20121031



Orbit Structure



Proposal 12109 - Visit 09 - A Panchromatic Hubble Andromeda Treasury - I

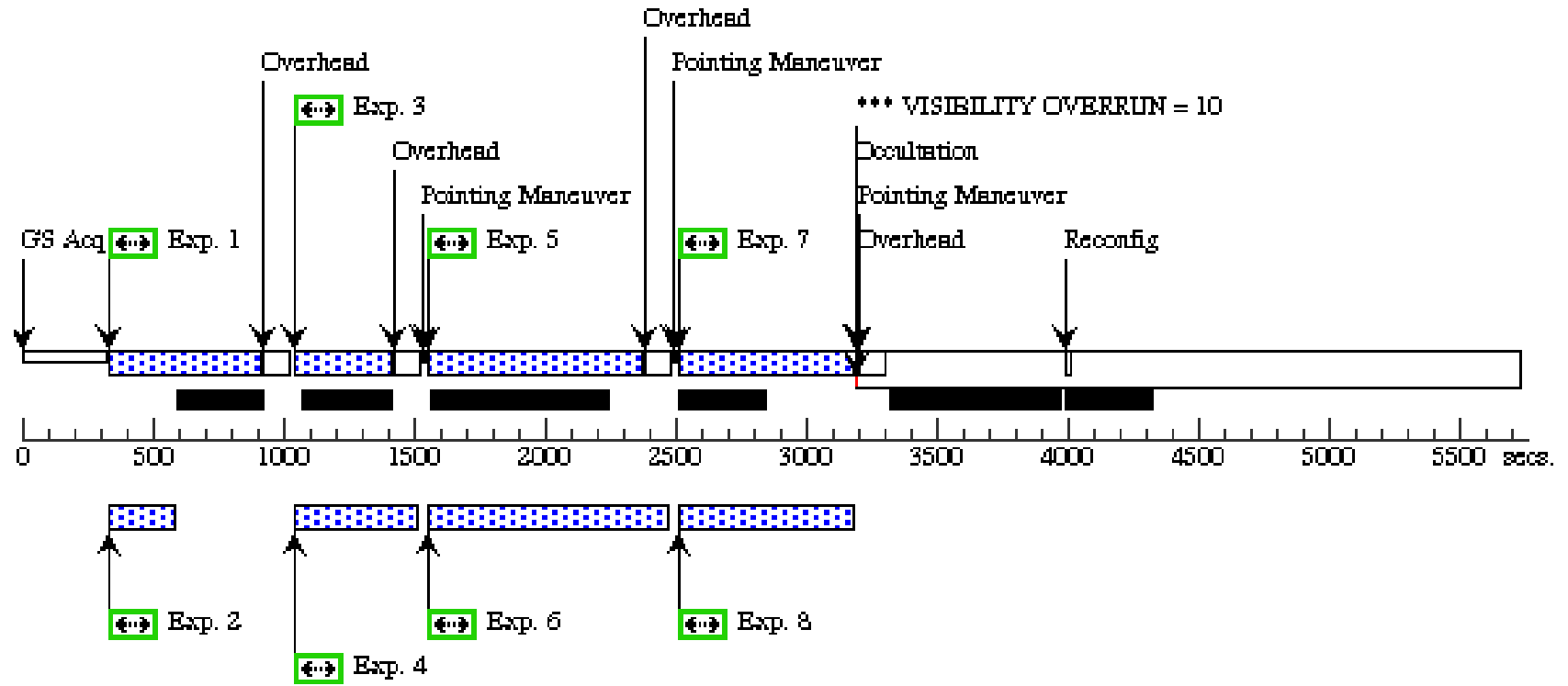
Sat Jan 26 02:10:02 GMT 2013

|                      |   |                  |  |                                 |               |                       |
|----------------------|---|------------------|--|---------------------------------|---------------|-----------------------|
| <b>Visit</b>         | <b>Proposal 12109, Visit 09, implementation</b><br><b>Diagnostic Status: Warning</b><br>Scientific Instruments: WFC3/IR, WFC3/UVIS, ACS/WFC<br>Special Requirements: SCHED 60%: ORIENT 249D TO 249 D  |                  |  |                                 |               |                       |
| <b>Diagnostics</b>   | (Visit 09) Warning (Orbit Planner): PARALLELS SIGNIFICANTLY EXTEND ALIGNMENT TIME<br>(Visit 09) Warning (Form): The proposal is part of a large program (100 orbits or more in one cycle) and so should use Schedulability 100.<br>(Visit 09) Warning (Orbit Planner): VISIBILITY OVERRUN |                  |  |                                 |               |                       |
| <b>Fixed Targets</b> | <b>#</b>  | <b>Name</b>      | <b>Target Coordinates</b>  | <b>Targ. Coord. Corrections</b> | <b>Fluxes</b> | <b>Miscellaneous</b>  |
|                      | (25)  | M31-B03-F09-IR   | RA: 00 43 16.9263 (10.8205262d)<br>Dec: +41 20 44.09 (41.34558d)<br>Equinox: J2000 |                                 | V=20+/-0.1    | Reference Frame: ICRS |
|                      | (26)  | M31-B03-F09-UVIS | RA: 00 43 16.9263 (10.8205262d)<br>Dec: +41 20 44.09 (41.34558d)<br>Equinox: J2000 |                                 | V=20+/-0.1    | Reference Frame: ICRS |
|                      | (27)  | M31-B03-F12-WFC  | RA: 00 42 47.3777 (10.6974071d)<br>Dec: +41 23 14.45 (41.38735d)<br>Equinox: J2000 |                                 | V=20+/-0.1    | Reference Frame: ICRS |

Proposal 12109 - Visit 09 - A Panchromatic Hubble Andromeda Treasury - I

| Exposures | #                     | Label                       | Target                | Config,Mode,Aperture          | Spectral Els. | Opt. Params.                  | Special Reqs.                            | Groups                                   | Exp. Time/[Actual Dur.] | Orbit |
|-----------|-----------------------|-----------------------------|-----------------------|-------------------------------|---------------|-------------------------------|--|--|-------------------------|-------|
|           | 1                     | M31-B03-F09-UVIS-F336W      | (26) M31-B03-F09-UVIS | WFC3/UVIS, ACCUM, UVIS-CENTER | F336W         | CR-SPLIT=NO                   | POS TARG 1.655,2.96                      | Prime + Parallel Group 1-2 in Visit 09   | 550 Secs<br>[==>]       | [1]   |
|           | 2                     | M31-B03-F12-WFC-F814W-short | (27) M31-B03-F12-WFC  | ACS/WFC, ACCUM, WFC           | F814W         |                               |  | Prime + Parallel Group 1-2 in Visit 09   | 15 Secs<br>[==>]        | [1]   |
|           | 3                     | M31-B03-F09-UVIS-F275W      | (26) M31-B03-F09-UVIS | WFC3/UVIS, ACCUM, UVIS-CENTER | F275W         | CR-SPLIT=NO                   | POS TARG 1.655,2.96                      | Prime + Parallel Group 3-4 in Visit 09   | 350 Secs<br>[==>]       | [1]   |
|           | 4                     | M31-B03-F12-WFC-F814W       | (27) M31-B03-F12-WFC  | ACS/WFC, ACCUM, WFC           | F814W         |                               |  | Prime + Parallel Group 3-4 in Visit 09   | 350 Secs<br>[==>]       | [1]   |
|           | 5                     | M31-B03-F09-UVIS-F336W      | (26) M31-B03-F09-UVIS | WFC3/UVIS, ACCUM, UVIS-CENTER | F336W         | CR-SPLIT=NO                   | POS TARG 1.634,4.882                     | Prime + Parallel Group 5-6 in Visit 09   | 800 Secs<br>[==>]       | [1]   |
|           | 6                     | M31-B03-F12-WFC-F814W       | (27) M31-B03-F12-WFC  | ACS/WFC, ACCUM, WFC           | F814W         |                               |  | Prime + Parallel Group 5-6 in Visit 09   | 800 Secs<br>[==>]       | [1]   |
|           | 7                     | M31-B03-F09-UVIS-F275W      | (26) M31-B03-F09-UVIS | WFC3/UVIS, ACCUM, UVIS-CENTER | F275W         | CR-SPLIT=NO                   | POS TARG 1.525,4.882                     | Prime + Parallel Group 7-8 in Visit 09   | 660 Secs<br>[==>]       | [1]   |
|           | 8                     | M31-B03-F12-WFC-F814W       | (27) M31-B03-F12-WFC  | ACS/WFC, ACCUM, WFC           | F814W         |                               |  | Prime + Parallel Group 7-8 in Visit 09   | 550 Secs<br>[==>]       | [1]   |
|           | 9                     | M31-B03-F09-IR-f160w        | (25) M31-B03-F09-IR   | WFC3/IR, MULTIACCUM, IR-FIX   | F160W         | NSAMP=9;<br>SAMP-SEQ=STEP200  | POS TARG 0,0                             | Prime + Parallel Group 9-10 in Visit 09  | [==>]                   | [2]   |
|           | 10                    | M31-B03-F12-WFC-F475W-short | (27) M31-B03-F12-WFC  | ACS/WFC, ACCUM, WFC           | F475W         |                               |  | Prime + Parallel Group 9-10 in Visit 09  | 10 Secs<br>[==>]        | [2]   |
|           | 11                    | M31-B03-F09-IR-f110w        | (25) M31-B03-F09-IR   | WFC3/IR, MULTIACCUM, IR-FIX   | F110W         | NSAMP=11;<br>SAMP-SEQ=STEP200 | POS TARG 0.187,0.086                     | Prime + Parallel Group 11-12 in Visit 09 | [==>]                   | [2]   |
|           | 12                    | M31-B03-F12-WFC-F475W       | (27) M31-B03-F12-WFC  | ACS/WFC, ACCUM, WFC           | F475W         |                               |  | Prime + Parallel Group 11-12 in Visit 09 | 700 Secs<br>[==>]       | [2]   |
|           | 13                    | M31-B03-F09-IR-f160w        | (25) M31-B03-F09-IR   | WFC3/IR, MULTIACCUM, IR-FIX   | F160W         | NSAMP=9;<br>SAMP-SEQ=STEP200  | POS TARG 0.206,0.171                     | Prime + Parallel Group 13-14 in Visit 09 | [==>]                   | [2]   |
|           | 14                    | M31-B03-F12-WFC-F475W       | (27) M31-B03-F12-WFC  | ACS/WFC, ACCUM, WFC           | F475W         |                               |  | Prime + Parallel Group 13-14 in Visit 09 | 360 Secs<br>[==>]       | [2]   |
|           | 15                    | M31-B03-F09-IR-f160w        | (25) M31-B03-F09-IR   | WFC3/IR, MULTIACCUM, IR-FIX   | F160W         | NSAMP=9;<br>SAMP-SEQ=STEP200  | POS TARG 0.263,0.188                     | Prime + Parallel Group 15-16 in Visit 09 | [==>]                   | [2]   |
|           | 16                    | M31-B03-F12-WFC-F475W       | (27) M31-B03-F12-WFC  | ACS/WFC, ACCUM, WFC           | F475W         |                               |  | Prime + Parallel Group 15-16 in Visit 09 | 360 Secs<br>[==>]       | [2]   |
|           | 17                    | M31-B03-F09-IR-f160w        | (25) M31-B03-F09-IR   | WFC3/IR, MULTIACCUM, IR-FIX   | F160W         | NSAMP=11;<br>SAMP-SEQ=STEP100 | POS TARG 0.204,-0.001                    | Prime + Parallel Group 17-18 in Visit 09 | [==>]                   | [2]   |
| 18        | M31-B03-F12-WFC-F475W | (27) M31-B03-F12-WFC        | ACS/WFC, ACCUM, WFC   | F475W                         |               |                               | Prime + Parallel Group 17-18 in Visit 09 | 470 Secs<br>[==>]                        | [2]                     |       |

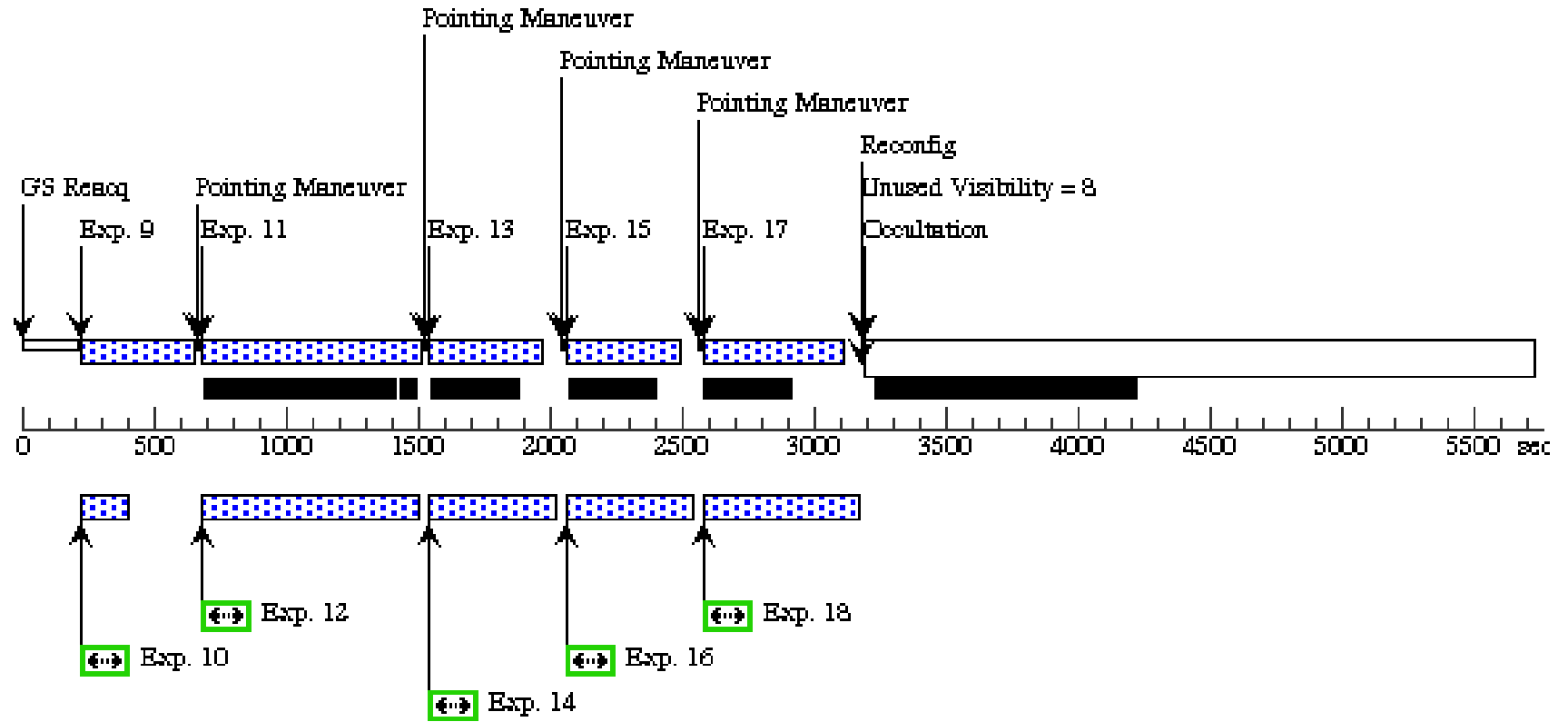
**Orbit 1**



Orbit Structure

Orbit 2

Server Version: 20121031



Proposal 12109 - Visit 10 - A Panchromatic Hubble Andromeda Treasury - I

Sat Jan 26 02:10:05 GMT 2013

|                      |   |                  |   |                                 |               |                       |
|----------------------|---|------------------|---|---------------------------------|---------------|-----------------------|
| <b>Visit</b>         | <b>Proposal 12109, Visit 10, completed</b><br><b>Diagnostic Status: Warning</b><br>Scientific Instruments: WFC3/IR, WFC3/UVIS, ACS/WFC<br>Special Requirements: SCHED 100%; ORIENT 249D TO 249 D  |                  |   |                                 |               |                       |
| <b>Diagnostics</b>   | (Visit 10) Warning (Orbit Planner): VISIBILITY OVERRUN<br>(Visit 10) Warning (Orbit Planner): PARALLELS SIGNIFICANTLY EXTEND ALIGNMENT TIME<br>(Visit 10) Warning (Orbit Planner): PARALLELS SIGNIFICANTLY EXTEND ALIGNMENT TIME<br>(Visit 10) Warning (Orbit Planner): PARALLELS SIGNIFICANTLY EXTEND ALIGNMENT TIME |                  |   |                                 |               |                       |
| <b>Fixed Targets</b> | <b>#</b>  | <b>Name</b>      | <b>Target Coordinates</b>   | <b>Targ. Coord. Corrections</b> | <b>Fluxes</b> | <b>Miscellaneous</b>  |
|                      | (28)  | M31-B03-F10-IR   | RA: 00 43 7.0746 (10.7794775d)<br>Dec: +41 21 32.41 (41.35900d)<br>Equinox: J2000 |                                 | V=20+/-0.1    | Reference Frame: ICRS |
|                      | (29)  | M31-B03-F10-UVIS | RA: 00 43 7.0746 (10.7794775d)<br>Dec: +41 21 32.41 (41.35900d)<br>Equinox: J2000 |                                 | V=20+/-0.1    | Reference Frame: ICRS |
|                      | (30)  | M31-B03-F07-WFC  | RA: 00 43 7.0746 (10.7794775d)<br>Dec: +41 21 32.41 (41.35900d)<br>Equinox: J2000 |                                 | V=20+/-0.1    | Reference Frame: ICRS |

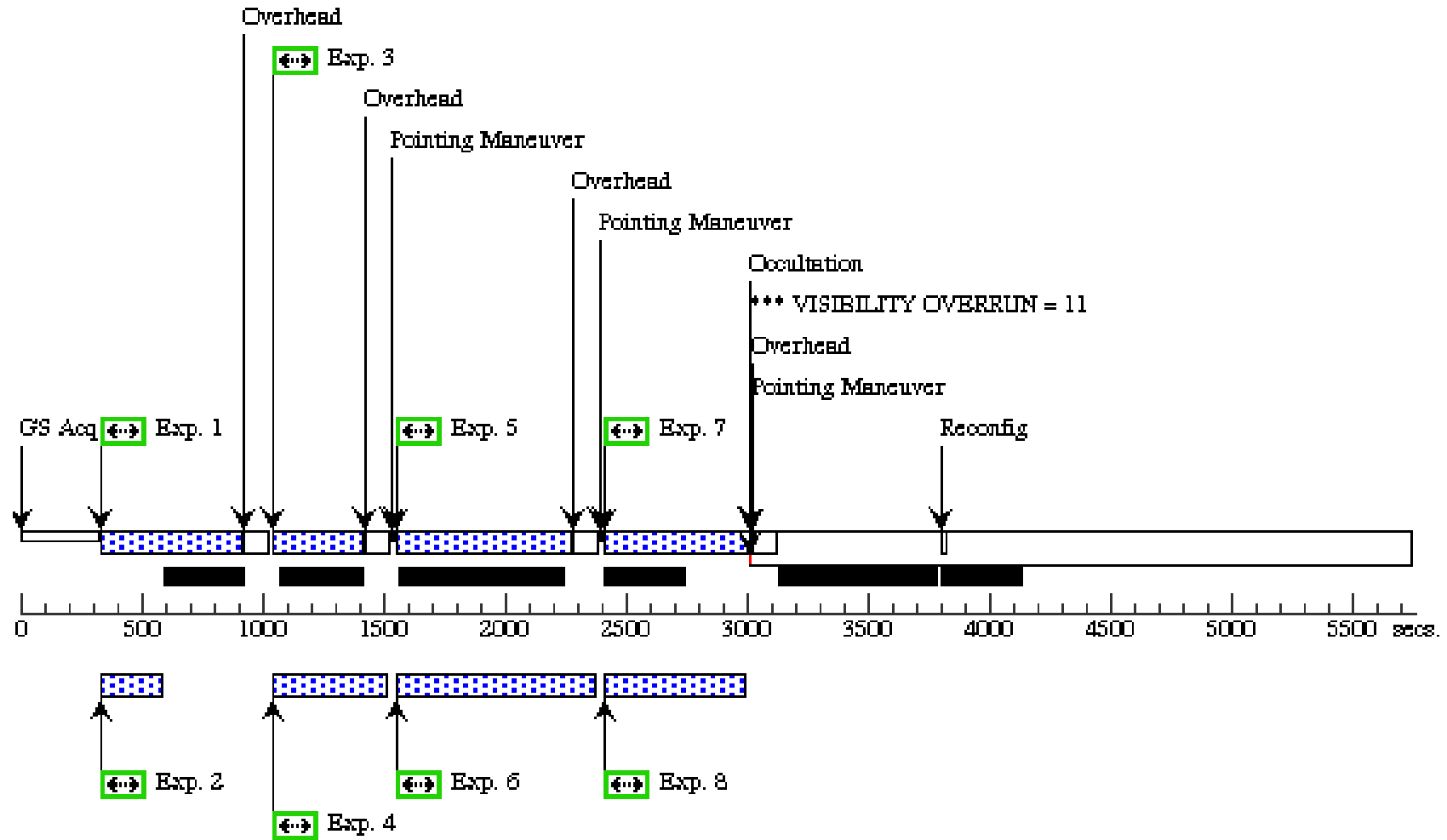
Proposal 12109 - Visit 10 - A Panchromatic Hubble Andromeda Treasury - I

| #         | Label | Target                       | Config,Mode,Aperture  | Spectral Els.                 | Opt. Params. | Special Reqs.                 | Groups                | Exp. Time/[Actual Dur.]                  | Orbit             |     |
|-----------|-------|------------------------------|-----------------------|-------------------------------|--------------|-------------------------------|-----------------------|--|-------------------|-----|
| Exposures | 1     | M31-B03-F10-UVIS-F3 36W      | (29) M31-B03-F10-UVIS | WFC3/UVIS, ACCUM, UVIS-CENTER | F336W        | CR-SPLIT=NO                   | POS TARG 1.655,2.96   | Prime + Parallel Group 1-2 in Visit 10   | 550 Secs<br>[==>] | [1] |
|           | 2     | M31-B03-F07-WFC-F8 14W-short | (30) M31-B03-F07-WFC  | ACS/WFC, ACCUM, WFC           | F814W        |                               |                       | Prime + Parallel Group 1-2 in Visit 10   | 15 Secs<br>[==>]  | [1] |
|           | 3     | M31-B03-F10-UVIS-F2 75W      | (29) M31-B03-F10-UVIS | WFC3/UVIS, ACCUM, UVIS-CENTER | F275W        | CR-SPLIT=NO                   | POS TARG 1.655,2.96   | Prime + Parallel Group 3-4 in Visit 10   | 350 Secs<br>[==>] | [1] |
|           | 4     | M31-B03-F07-WFC-F8 14W       | (30) M31-B03-F07-WFC  | ACS/WFC, ACCUM, WFC           | F814W        |                               |                       | Prime + Parallel Group 3-4 in Visit 10   | 350 Secs<br>[==>] | [1] |
|           | 5     | M31-B03-F10-UVIS-F3 36W      | (29) M31-B03-F10-UVIS | WFC3/UVIS, ACCUM, UVIS-CENTER | F336W        | CR-SPLIT=NO                   | POS TARG 1.634,4.882  | Prime + Parallel Group 5-6 in Visit 10   | 700 Secs<br>[==>] | [1] |
|           | 6     | M31-B03-F07-WFC-F8 14W       | (30) M31-B03-F07-WFC  | ACS/WFC, ACCUM, WFC           | F814W        |                               |                       | Prime + Parallel Group 5-6 in Visit 10   | 700 Secs<br>[==>] | [1] |
|           | 7     | M31-B03-F10-UVIS-F2 75W      | (29) M31-B03-F10-UVIS | WFC3/UVIS, ACCUM, UVIS-CENTER | F275W        | CR-SPLIT=NO                   | POS TARG 1.525,4.882  | Prime + Parallel Group 7-8 in Visit 10   | 575 Secs<br>[==>] | [1] |
|           | 8     | M31-B03-F07-WFC-F8 14W       | (30) M31-B03-F07-WFC  | ACS/WFC, ACCUM, WFC           | F814W        |                               |                       | Prime + Parallel Group 7-8 in Visit 10   | 455 Secs<br>[==>] | [1] |
|           | 9     | M31-B03-F10-IR-f160 w        | (28) M31-B03-F10-IR   | WFC3/IR, MULTIACCUM, IR-FIX   | F160W        | NSAMP=9;<br>SAMP-SEQ=STEP200  | POS TARG 0,0          | Prime + Parallel Group 9-10 in Visit 10  | [==>]             | [2] |
|           | 10    | M31-B03-F07-WFC-F4 75W-short | (30) M31-B03-F07-WFC  | ACS/WFC, ACCUM, WFC           | F475W        |                               |                       | Prime + Parallel Group 9-10 in Visit 10  | 10 Secs<br>[==>]  | [2] |
|           | 11    | M31-B03-F10-IR-f110 w        | (28) M31-B03-F10-IR   | WFC3/IR, MULTIACCUM, IR-FIX   | F110W        | NSAMP=13;<br>SAMP-SEQ=STEP100 | POS TARG 0.187,0.086  | Prime + Parallel Group 11-12 in Visit 10 | [==>]             | [2] |
|           | 12    | M31-B03-F07-WFC-F4 75W       | (30) M31-B03-F07-WFC  | ACS/WFC, ACCUM, WFC           | F475W        |                               |                       | Prime + Parallel Group 11-12 in Visit 10 | 600 Secs<br>[==>] | [2] |
|           | 13    | M31-B03-F10-IR-f160 w        | (28) M31-B03-F10-IR   | WFC3/IR, MULTIACCUM, IR-FIX   | F160W        | NSAMP=9;<br>SAMP-SEQ=STEP200  | POS TARG 0.206,0.171  | Prime + Parallel Group 13-14 in Visit 10 | [==>]             | [2] |
|           | 14    | M31-B03-F07-WFC-F4 75W       | (30) M31-B03-F07-WFC  | ACS/WFC, ACCUM, WFC           | F475W        |                               |                       | Prime + Parallel Group 13-14 in Visit 10 | 370 Secs<br>[==>] | [2] |
|           | 15    | M31-B03-F10-IR-f160 w        | (28) M31-B03-F10-IR   | WFC3/IR, MULTIACCUM, IR-FIX   | F160W        | NSAMP=9;<br>SAMP-SEQ=STEP200  | POS TARG 0.263,0.188  | Prime + Parallel Group 15-16 in Visit 10 | [==>]             | [2] |
|           | 16    | M31-B03-F07-WFC-F4 75W       | (30) M31-B03-F07-WFC  | ACS/WFC, ACCUM, WFC           | F475W        |                               |                       | Prime + Parallel Group 15-16 in Visit 10 | 370 Secs<br>[==>] | [2] |
|           | 17    | M31-B03-F10-IR-f160 w        | (28) M31-B03-F10-IR   | WFC3/IR, MULTIACCUM, IR-FIX   | F160W        | NSAMP=9;<br>SAMP-SEQ=STEP200  | POS TARG 0.204,-0.001 | Prime + Parallel Group 17-18 in Visit 10 | [==>]             | [2] |
|           | 18    | M31-B03-F07-WFC-F4 75W       | (30) M31-B03-F07-WFC  | ACS/WFC, ACCUM, WFC           | F475W        |                               |                       | Prime + Parallel Group 17-18 in Visit 10 | 370 Secs<br>[==>] | [2] |

Orbit 1

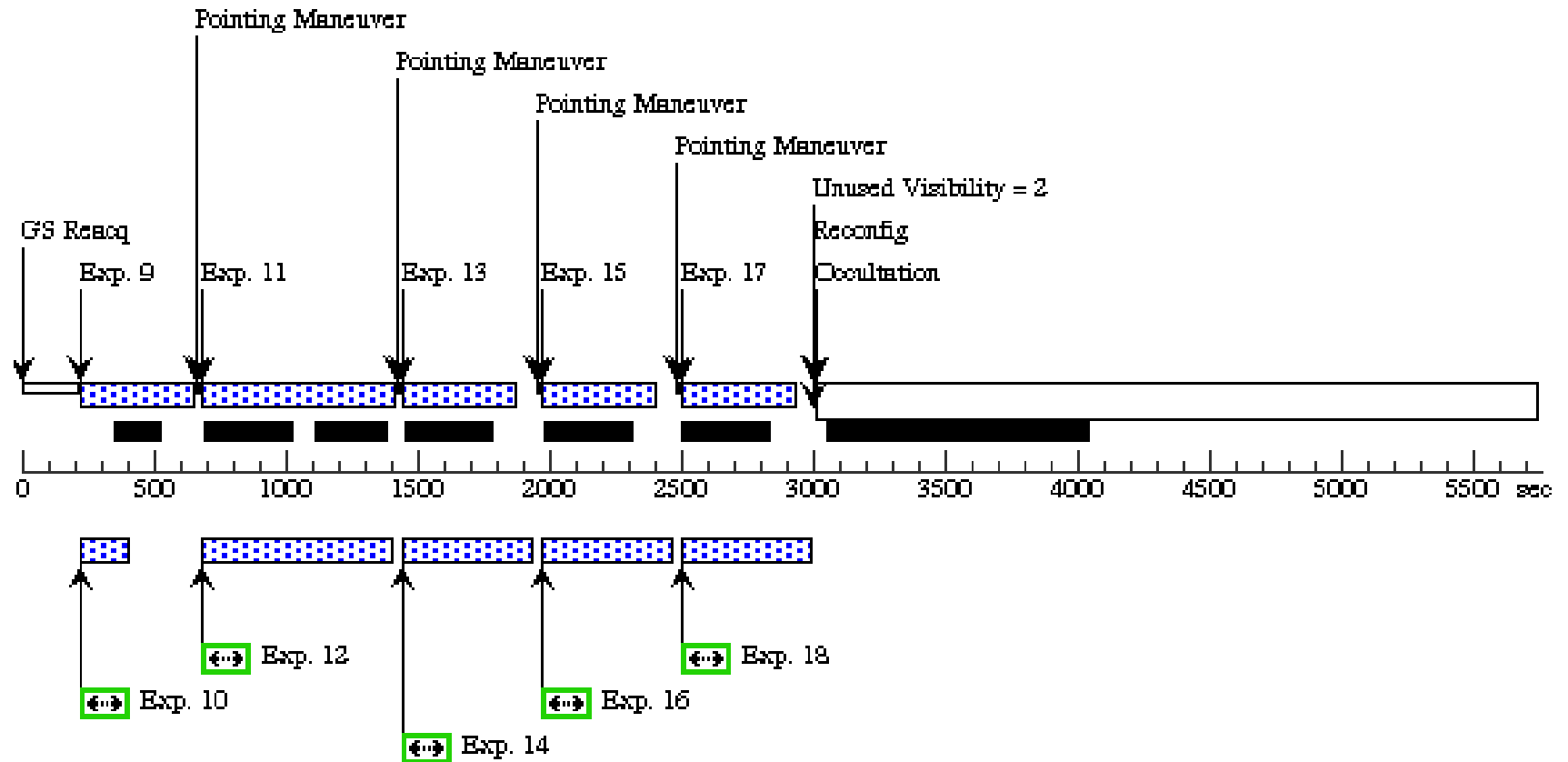
Server Version: 20121031

Orbit Structure



Orbit 2

Server Version: 20121031



Proposal 12109 - Visit 11 - A Panchromatic Hubble Andromeda Treasury - I

Sat Jan 26 02:10:08 GMT 2013

|                      |  |                  |  |                                 |               |                       |
|----------------------|--|------------------|--|---------------------------------|---------------|-----------------------|
| <b>Visit</b>         | <p><b>Proposal 12109, Visit 11, completed</b></p> <p><b>Diagnostic Status: Warning</b></p> <p>Scientific Instruments: WFC3/IR, WFC3/UVIS, ACS/WFC</p> <p>Special Requirements: SCHED 100%; ORIENT 249D TO 249 D</p>  |                  |  |                                 |               |                       |
| <b>Diagnostics</b>   | <p>(Visit 11) Warning (Orbit Planner): VISIBILITY OVERRUN</p> <p>(Visit 11) Warning (Orbit Planner): PARALLELS SIGNIFICANTLY EXTEND ALIGNMENT TIME</p> <p>(Visit 11) Warning (Orbit Planner): PARALLELS SIGNIFICANTLY EXTEND ALIGNMENT TIME</p> <p>(Visit 11) Warning (Orbit Planner): PARALLELS SIGNIFICANTLY EXTEND ALIGNMENT TIME</p> |                  |  |                                 |               |                       |
| <b>Fixed Targets</b> | <b>#</b>   | <b>Name</b>      | <b>Target Coordinates</b>  | <b>Targ. Coord. Corrections</b> | <b>Fluxes</b> | <b>Miscellaneous</b>  |
|                      | (31)   | M31-B03-F11-IR   | RA: 00 42 57.4361 (10.7393171d)<br>Dec: +41 22 20.73 (41.37242d)<br>Equinox: J2000 |                                 | V=20+/-0.1    | Reference Frame: ICRS |
|                      | (32)   | M31-B03-F11-UVIS | RA: 00 42 57.4361 (10.7393171d)<br>Dec: +41 22 20.73 (41.37242d)<br>Equinox: J2000 |                                 | V=20+/-0.1    | Reference Frame: ICRS |
|                      | (33)   | M31-B03-F08-WFC  | RA: 00 42 57.4361 (10.7393171d)<br>Dec: +41 22 20.73 (41.37242d)<br>Equinox: J2000 |                                 | V=20+/-0.1    | Reference Frame: ICRS |

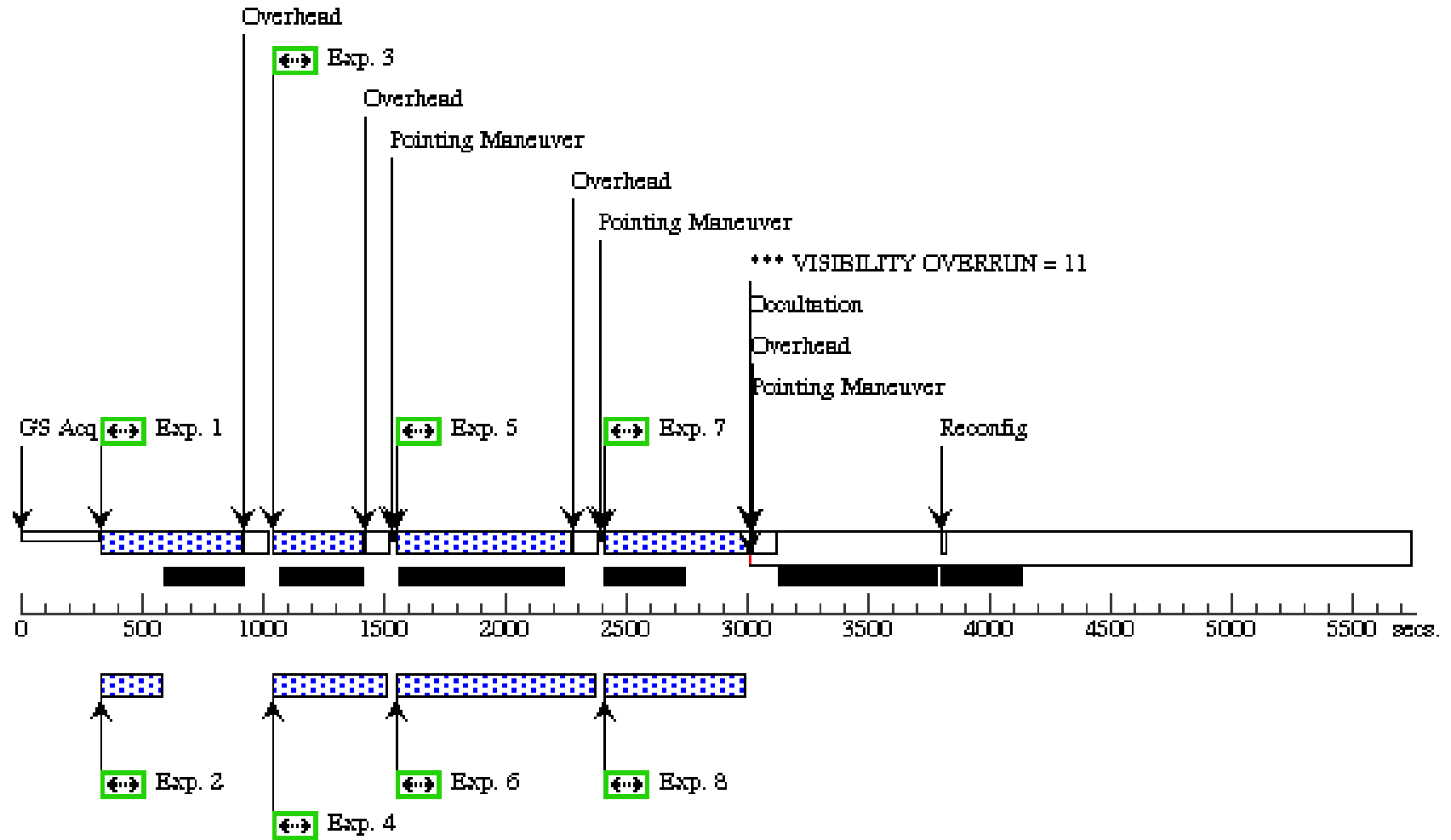
Proposal 12109 - Visit 11 - A Panchromatic Hubble Andromeda Treasury - I

| #         | Label | Target                       | Config,Mode,Aperture  | Spectral Els.                 | Opt. Params. | Special Reqs.                 | Groups                | Exp. Time/[Actual Dur.]                  |                   | Orbit |
|-----------|-------|------------------------------|-----------------------|-------------------------------|--------------|-------------------------------|-----------------------|--|-------------------|-------|
|           |       |                              |                       |                               |              |                               |                       |  |                   |       |
| Exposures | 1     | M31-B03-F11-UVIS-F3 36W      | (32) M31-B03-F11-UVIS | WFC3/UVIS, ACCUM, UVIS-CENTER | F336W        | CR-SPLIT=NO                   | POS TARG 1.655,2.96   | Prime + Parallel Group 1-2 in Visit 11   | 550 Secs<br>[==>] | [1]   |
|           | 2     | M31-B03-F08-WFC-F8 14W-short | (33) M31-B03-F08-WFC  | ACS/WFC, ACCUM, WFC           | F814W        |                               |                       | Prime + Parallel Group 1-2 in Visit 11   | 15 Secs<br>[==>]  | [1]   |
|           | 3     | M31-B03-F11-UVIS-F2 75W      | (32) M31-B03-F11-UVIS | WFC3/UVIS, ACCUM, UVIS-CENTER | F275W        | CR-SPLIT=NO                   | POS TARG 1.655,2.96   | Prime + Parallel Group 3-4 in Visit 11   | 350 Secs<br>[==>] | [1]   |
|           | 4     | M31-B03-F08-WFC-F8 14W       | (33) M31-B03-F08-WFC  | ACS/WFC, ACCUM, WFC           | F814W        |                               |                       | Prime + Parallel Group 3-4 in Visit 11   | 350 Secs<br>[==>] | [1]   |
|           | 5     | M31-B03-F11-UVIS-F3 36W      | (32) M31-B03-F11-UVIS | WFC3/UVIS, ACCUM, UVIS-CENTER | F336W        | CR-SPLIT=NO                   | POS TARG 1.634,4.882  | Prime + Parallel Group 5-6 in Visit 11   | 700 Secs<br>[==>] | [1]   |
|           | 6     | M31-B03-F08-WFC-F8 14W       | (33) M31-B03-F08-WFC  | ACS/WFC, ACCUM, WFC           | F814W        |                               |                       | Prime + Parallel Group 5-6 in Visit 11   | 700 Secs<br>[==>] | [1]   |
|           | 7     | M31-B03-F11-UVIS-F2 75W      | (32) M31-B03-F11-UVIS | WFC3/UVIS, ACCUM, UVIS-CENTER | F275W        | CR-SPLIT=NO                   | POS TARG 1.525,4.882  | Prime + Parallel Group 7-8 in Visit 11   | 575 Secs<br>[==>] | [1]   |
|           | 8     | M31-B03-F08-WFC-F8 14W       | (33) M31-B03-F08-WFC  | ACS/WFC, ACCUM, WFC           | F814W        |                               |                       | Prime + Parallel Group 7-8 in Visit 11   | 455 Secs<br>[==>] | [1]   |
|           | 9     | M31-B03-F11-IR-f160 w        | (31) M31-B03-F11-IR   | WFC3/IR, MULTIACCUM, IR-FIX   | F160W        | NSAMP=9;<br>SAMP-SEQ=STEP200  | POS TARG 0,0          | Prime + Parallel Group 9-10 in Visit 11  | [==>]             | [2]   |
|           | 10    | M31-B03-F08-WFC-F4 75W-short | (33) M31-B03-F08-WFC  | ACS/WFC, ACCUM, WFC           | F475W        |                               |                       | Prime + Parallel Group 9-10 in Visit 11  | 10 Secs<br>[==>]  | [2]   |
|           | 11    | M31-B03-F11-IR-f110 w        | (31) M31-B03-F11-IR   | WFC3/IR, MULTIACCUM, IR-FIX   | F110W        | NSAMP=13;<br>SAMP-SEQ=STEP100 | POS TARG 0.187,0.086  | Prime + Parallel Group 11-12 in Visit 11 | [==>]             | [2]   |
|           | 12    | M31-B03-F08-WFC-F4 75W       | (33) M31-B03-F08-WFC  | ACS/WFC, ACCUM, WFC           | F475W        |                               |                       | Prime + Parallel Group 11-12 in Visit 11 | 600 Secs<br>[==>] | [2]   |
|           | 13    | M31-B03-F11-IR-f160 w        | (31) M31-B03-F11-IR   | WFC3/IR, MULTIACCUM, IR-FIX   | F160W        | NSAMP=9;<br>SAMP-SEQ=STEP200  | POS TARG 0.206,0.171  | Prime + Parallel Group 13-14 in Visit 11 | [==>]             | [2]   |
|           | 14    | M31-B03-F08-WFC-F4 75W       | (33) M31-B03-F08-WFC  | ACS/WFC, ACCUM, WFC           | F475W        |                               |                       | Prime + Parallel Group 13-14 in Visit 11 | 370 Secs<br>[==>] | [2]   |
|           | 15    | M31-B03-F11-IR-f160 w        | (31) M31-B03-F11-IR   | WFC3/IR, MULTIACCUM, IR-FIX   | F160W        | NSAMP=9;<br>SAMP-SEQ=STEP200  | POS TARG 0.263,0.188  | Prime + Parallel Group 15-16 in Visit 11 | [==>]             | [2]   |
|           | 16    | M31-B03-F08-WFC-F4 75W       | (33) M31-B03-F08-WFC  | ACS/WFC, ACCUM, WFC           | F475W        |                               |                       | Prime + Parallel Group 15-16 in Visit 11 | 370 Secs<br>[==>] | [2]   |
|           | 17    | M31-B03-F11-IR-f160 w        | (31) M31-B03-F11-IR   | WFC3/IR, MULTIACCUM, IR-FIX   | F160W        | NSAMP=9;<br>SAMP-SEQ=STEP200  | POS TARG 0.204,-0.001 | Prime + Parallel Group 17-18 in Visit 11 | [==>]             | [2]   |
|           | 18    | M31-B03-F08-WFC-F4 75W       | (33) M31-B03-F08-WFC  | ACS/WFC, ACCUM, WFC           | F475W        |                               |                       | Prime + Parallel Group 17-18 in Visit 11 | 370 Secs<br>[==>] | [2]   |

**Orbit 1**

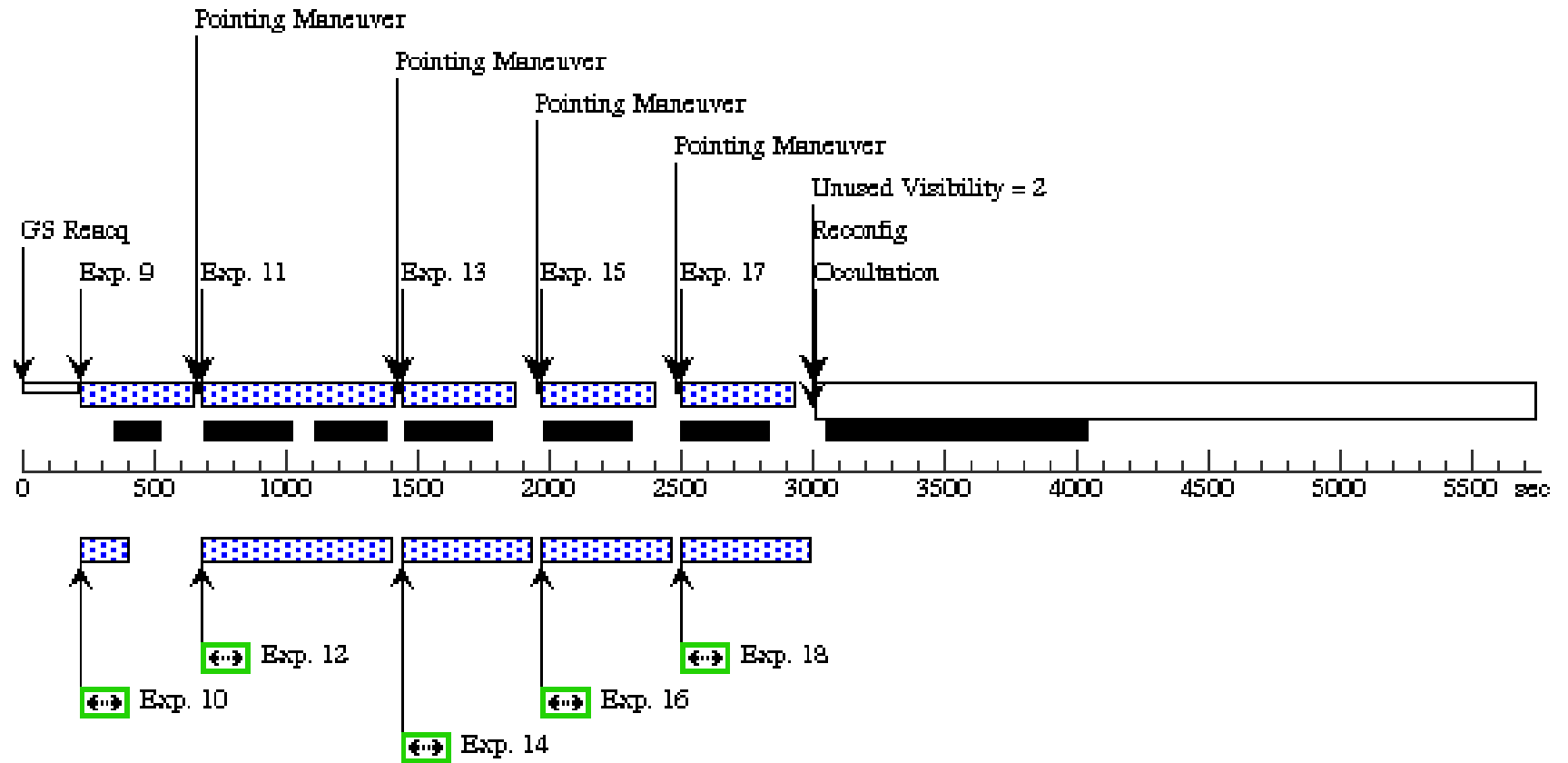
Server Version: 20121031

Orbit Structure



Orbit 2

Server Version: 20121031



Proposal 12109 - Visit 12 - A Panchromatic Hubble Andromeda Treasury - I

|                      |   |                  |   |                                 |               |                       |
|----------------------|---|------------------|---|---------------------------------|---------------|-----------------------|
| <b>Visit</b>         | Proposal 12109, Visit 12, completed <span style="float: right;">Sat Jan 26 02:10:11 GMT 2013</span><br><b>Diagnostic Status: Warning</b><br>Scientific Instruments: WFC3/IR, WFC3/UVIS, ACS/WFC<br>Special Requirements: SCHED 100%; ORIENT 249D TO 249 D   |                  |   |                                 |               |                       |
| <b>Diagnostics</b>   | (Visit 12) Warning (Orbit Planner): PARALLELS SIGNIFICANTLY EXTEND ALIGNMENT TIME<br>(Visit 12) Warning (Orbit Planner): PARALLELS SIGNIFICANTLY EXTEND ALIGNMENT TIME<br>(Visit 12) Warning (Orbit Planner): VISIBILITY OVERRUN<br>(Visit 12) Warning (Orbit Planner): PARALLELS SIGNIFICANTLY EXTEND ALIGNMENT TIME |                  |   |                                 |               |                       |
| <b>Fixed Targets</b> | <b>#</b>  | <b>Name</b>      | <b>Target Coordinates</b>   | <b>Targ. Coord. Corrections</b> | <b>Fluxes</b> | <b>Miscellaneous</b>  |
|                      | (34)  | M31-B03-F12-IR   | RA: 00 42 47.7976 (10.6991567d)<br>Dec: +41 23 9.05 (41.38585d)<br>Equinox: J2000 |                                 | V=20+/-0.1    | Reference Frame: ICRS |
|                      | (35)  | M31-B03-F12-UVIS | RA: 00 42 47.7976 (10.6991567d)<br>Dec: +41 23 9.05 (41.38585d)<br>Equinox: J2000 |                                 | V=20+/-0.1    | Reference Frame: ICRS |
|                      | (36)  | M31-B03-F09-WFC  | RA: 00 42 47.7976 (10.6991567d)<br>Dec: +41 23 9.05 (41.38585d)<br>Equinox: J2000 |                                 | V=20+/-0.1    | Reference Frame: ICRS |

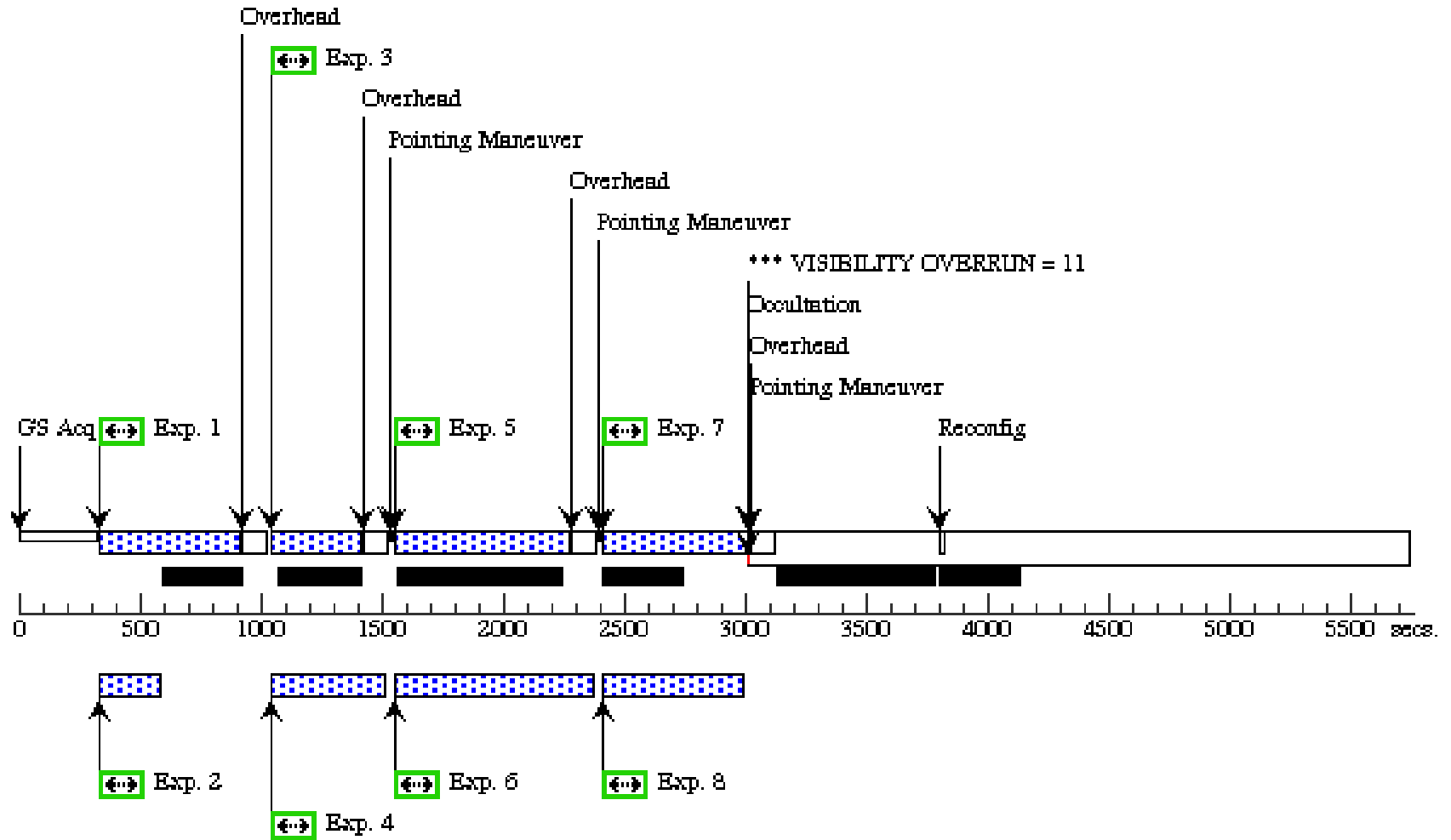
Proposal 12109 - Visit 12 - A Panchromatic Hubble Andromeda Treasury - I

| #         | Label | Target                       | Config,Mode,Aperture  | Spectral Els.                 | Opt. Params. | Special Reqs.                 | Groups                | Exp. Time/[Actual Dur.]                  | Orbit             |     |
|-----------|-------|------------------------------|-----------------------|-------------------------------|--------------|-------------------------------|-----------------------|--|-------------------|-----|
| Exposures | 1     | M31-B03-F12-UVIS-F3 36W      | (35) M31-B03-F12-UVIS | WFC3/UVIS, ACCUM, UVIS-CENTER | F336W        | CR-SPLIT=NO                   | POS TARG 1.655,2.96   | Prime + Parallel Group 1-2 in Visit 12   | 550 Secs<br>[==>] | [1] |
|           | 2     | M31-B03-F09-WFC-F8 14W-short | (36) M31-B03-F09-WFC  | ACS/WFC, ACCUM, WFC           | F814W        |                               |                       | Prime + Parallel Group 1-2 in Visit 12   | 15 Secs<br>[==>]  | [1] |
|           | 3     | M31-B03-F12-UVIS-F2 75W      | (35) M31-B03-F12-UVIS | WFC3/UVIS, ACCUM, UVIS-CENTER | F275W        | CR-SPLIT=NO                   | POS TARG 1.655,2.96   | Prime + Parallel Group 3-4 in Visit 12   | 350 Secs<br>[==>] | [1] |
|           | 4     | M31-B03-F09-WFC-F8 14W       | (36) M31-B03-F09-WFC  | ACS/WFC, ACCUM, WFC           | F814W        |                               |                       | Prime + Parallel Group 3-4 in Visit 12   | 350 Secs<br>[==>] | [1] |
|           | 5     | M31-B03-F12-UVIS-F3 36W      | (35) M31-B03-F12-UVIS | WFC3/UVIS, ACCUM, UVIS-CENTER | F336W        | CR-SPLIT=NO                   | POS TARG 1.634,4.882  | Prime + Parallel Group 5-6 in Visit 12   | 700 Secs<br>[==>] | [1] |
|           | 6     | M31-B03-F09-WFC-F8 14W       | (36) M31-B03-F09-WFC  | ACS/WFC, ACCUM, WFC           | F814W        |                               |                       | Prime + Parallel Group 5-6 in Visit 12   | 700 Secs<br>[==>] | [1] |
|           | 7     | M31-B03-F12-UVIS-F2 75W      | (35) M31-B03-F12-UVIS | WFC3/UVIS, ACCUM, UVIS-CENTER | F275W        | CR-SPLIT=NO                   | POS TARG 1.525,4.882  | Prime + Parallel Group 7-8 in Visit 12   | 575 Secs<br>[==>] | [1] |
|           | 8     | M31-B03-F09-WFC-F8 14W       | (36) M31-B03-F09-WFC  | ACS/WFC, ACCUM, WFC           | F814W        |                               |                       | Prime + Parallel Group 7-8 in Visit 12   | 455 Secs<br>[==>] | [1] |
|           | 9     | M31-B03-F12-IR-f160 w        | (34) M31-B03-F12-IR   | WFC3/IR, MULTIACCUM, IR-FIX   | F160W        | NSAMP=9;<br>SAMP-SEQ=STEP200  | POS TARG 0,0          | Prime + Parallel Group 9-10 in Visit 12  | [==>]             | [2] |
|           | 10    | M31-B03-F09-WFC-F4 75W-short | (36) M31-B03-F09-WFC  | ACS/WFC, ACCUM, WFC           | F475W        |                               |                       | Prime + Parallel Group 9-10 in Visit 12  | 10 Secs<br>[==>]  | [2] |
|           | 11    | M31-B03-F12-IR-f110 w        | (34) M31-B03-F12-IR   | WFC3/IR, MULTIACCUM, IR-FIX   | F110W        | NSAMP=13;<br>SAMP-SEQ=STEP100 | POS TARG 0.187,0.086  | Prime + Parallel Group 11-12 in Visit 12 | [==>]             | [2] |
|           | 12    | M31-B03-F09-WFC-F4 75W       | (36) M31-B03-F09-WFC  | ACS/WFC, ACCUM, WFC           | F475W        |                               |                       | Prime + Parallel Group 11-12 in Visit 12 | 600 Secs<br>[==>] | [2] |
|           | 13    | M31-B03-F12-IR-f160 w        | (34) M31-B03-F12-IR   | WFC3/IR, MULTIACCUM, IR-FIX   | F160W        | NSAMP=9;<br>SAMP-SEQ=STEP200  | POS TARG 0.206,0.171  | Prime + Parallel Group 13-14 in Visit 12 | [==>]             | [2] |
|           | 14    | M31-B03-F09-WFC-F4 75W       | (36) M31-B03-F09-WFC  | ACS/WFC, ACCUM, WFC           | F475W        |                               |                       | Prime + Parallel Group 13-14 in Visit 12 | 370 Secs<br>[==>] | [2] |
|           | 15    | M31-B03-F12-IR-f160 w        | (34) M31-B03-F12-IR   | WFC3/IR, MULTIACCUM, IR-FIX   | F160W        | NSAMP=9;<br>SAMP-SEQ=STEP200  | POS TARG 0.263,0.188  | Prime + Parallel Group 15-16 in Visit 12 | [==>]             | [2] |
|           | 16    | M31-B03-F09-WFC-F4 75W       | (36) M31-B03-F09-WFC  | ACS/WFC, ACCUM, WFC           | F475W        |                               |                       | Prime + Parallel Group 15-16 in Visit 12 | 370 Secs<br>[==>] | [2] |
|           | 17    | M31-B03-F12-IR-f160 w        | (34) M31-B03-F12-IR   | WFC3/IR, MULTIACCUM, IR-FIX   | F160W        | NSAMP=9;<br>SAMP-SEQ=STEP200  | POS TARG 0.204,-0.001 | Prime + Parallel Group 17-18 in Visit 12 | [==>]             | [2] |
|           | 18    | M31-B03-F09-WFC-F4 75W       | (36) M31-B03-F09-WFC  | ACS/WFC, ACCUM, WFC           | F475W        |                               |                       | Prime + Parallel Group 17-18 in Visit 12 | 370 Secs<br>[==>] | [2] |

Orbit 1

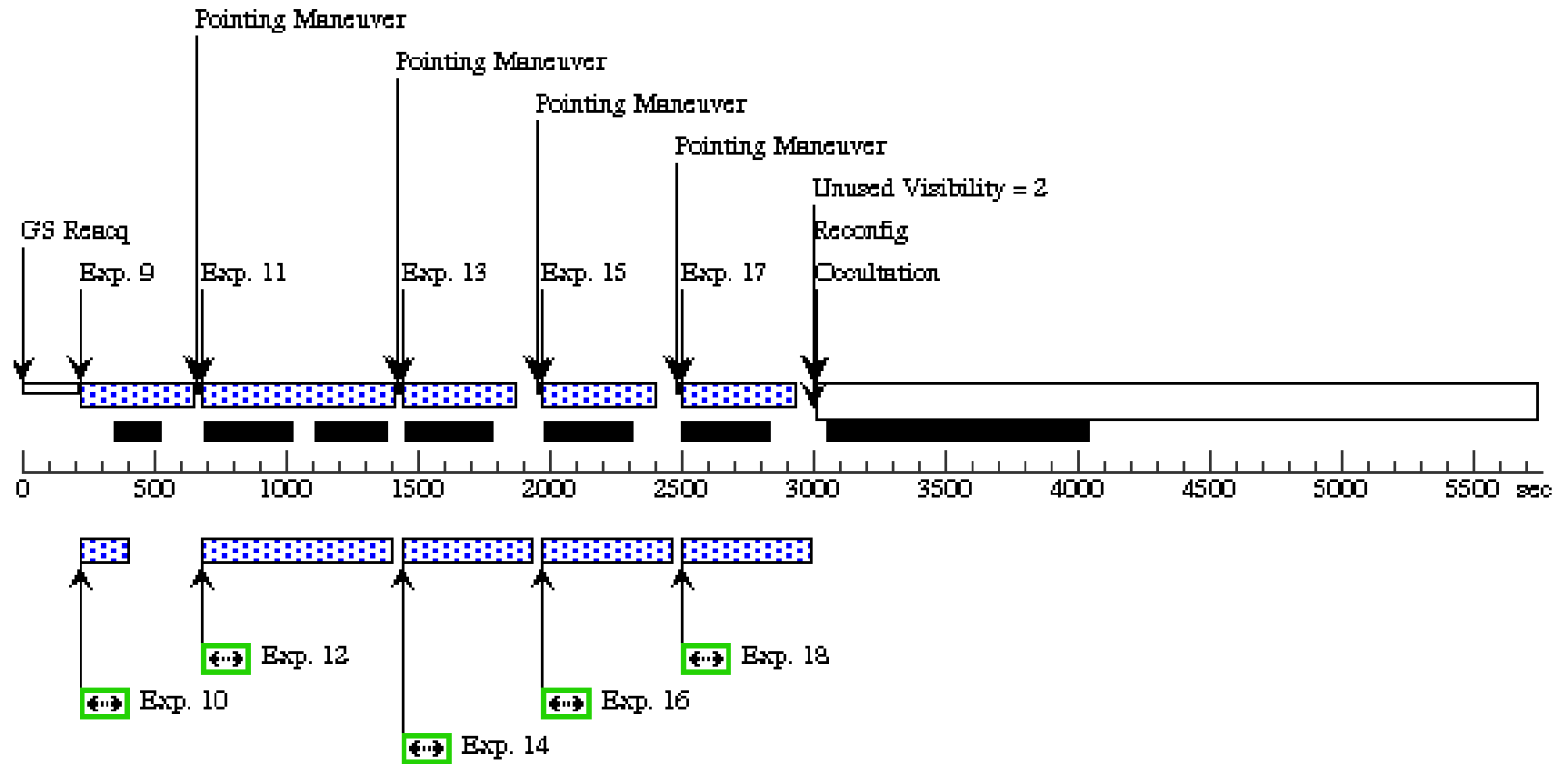
Server Version: 20121031

Orbit Structure



Orbit 2

Server Version: 20121031



Proposal 12109 - Visit 13 - A Panchromatic Hubble Andromeda Treasury - I

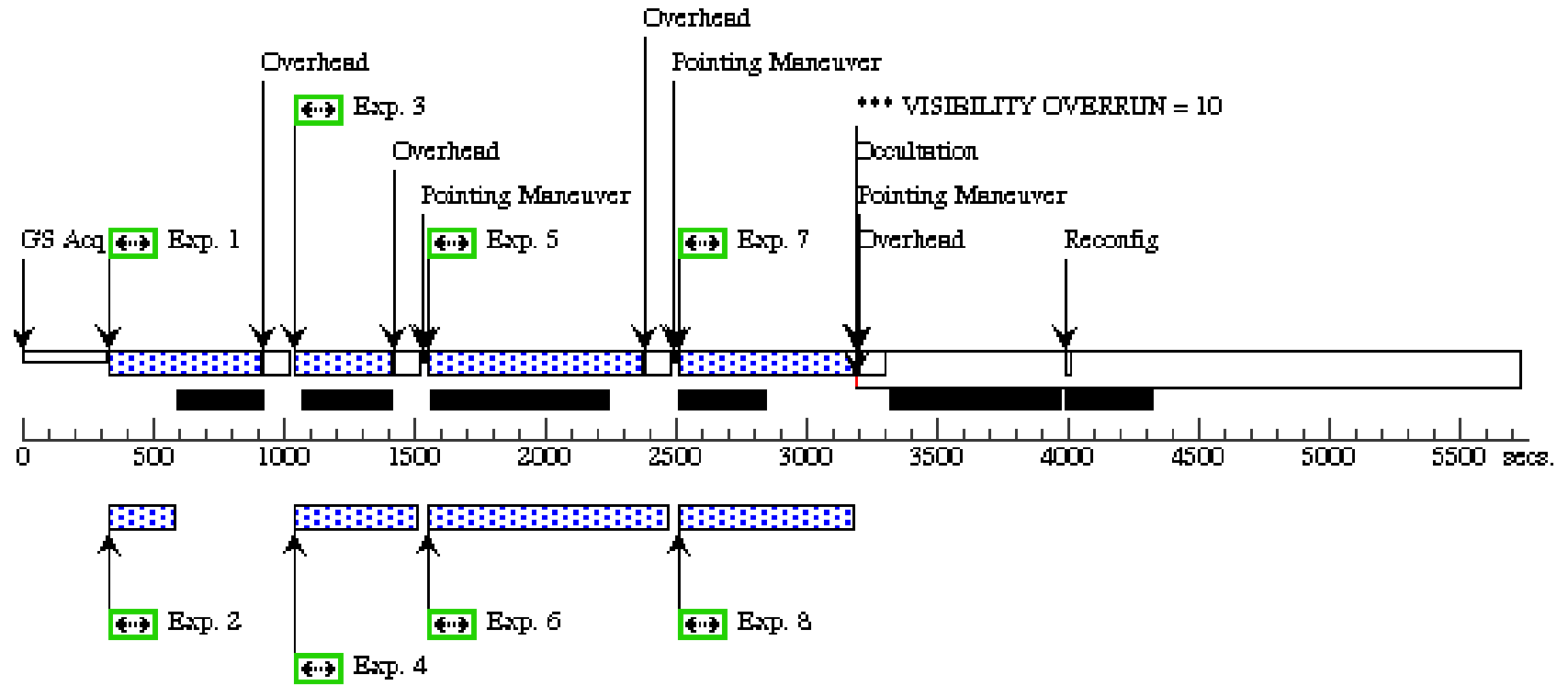
Sat Jan 26 02:10:14 GMT 2013

|                      |  |                  |   |                                 |               |                       |
|----------------------|--|------------------|---|---------------------------------|---------------|-----------------------|
| <b>Visit</b>         | <p><b>Proposal 12109, Visit 13, completed</b></p> <p><b>Diagnostic Status: Warning</b></p> <p>Scientific Instruments: WFC3/IR, WFC3/UVIS, ACS/WFC</p> <p>Special Requirements: SCHED 60%; ORIENT 69D TO 69 D</p>   |                  |   |                                 |               |                       |
| <b>Diagnostics</b>   | <p>(Visit 13) Warning (Orbit Planner): VISIBILITY OVERRUN</p> <p>(Visit 13) Warning (Form): The proposal is part of a large program (100 orbits or more in one cycle) and so should use Schedulability 100.</p> <p>(Visit 13) Warning (Orbit Planner): PARALLELS SIGNIFICANTLY EXTEND ALIGNMENT TIME</p> |                  |   |                                 |               |                       |
| <b>Fixed Targets</b> | <b>#</b>   | <b>Name</b>      | <b>Target Coordinates</b>   | <b>Targ. Coord. Corrections</b> | <b>Fluxes</b> | <b>Miscellaneous</b>  |
|                      | (37)   | M31-B03-F13-IR   | RA: 00 43 31.3702 (10.8807092d)<br>Dec: +41 17 5.22 (41.28478d)<br>Equinox: J2000 |                                 | V=20+/-0.1    | Reference Frame: ICRS |
|                      | (38)   | M31-B03-F13-UVIS | RA: 00 43 31.3702 (10.8807092d)<br>Dec: +41 17 5.22 (41.28478d)<br>Equinox: J2000 |                                 | V=20+/-0.1    | Reference Frame: ICRS |
|                      | (39)   | M31-B03-F16-WFC  | RA: 00 43 31.3702 (10.8807092d)<br>Dec: +41 17 5.22 (41.28478d)<br>Equinox: J2000 |                                 | V=20+/-0.1    | Reference Frame: ICRS |

Proposal 12109 - Visit 13 - A Panchromatic Hubble Andromeda Treasury - I

| #         | Label | Target                       | Config,Mode,Aperture  | Spectral Els.                 | Opt. Params. | Special Reqs.                 | Groups                | Exp. Time/[Actual Dur.]                  | Orbit             |     |
|-----------|-------|------------------------------|-----------------------|-------------------------------|--------------|-------------------------------|-----------------------|--|-------------------|-----|
| Exposures | 1     | M31-B03-F13-UVIS-F3 36W      | (38) M31-B03-F13-UVIS | WFC3/UVIS, ACCUM, UVIS-CENTER | F336W        | CR-SPLIT=NO                   | POS TARG 1.655,2.96   | Prime + Parallel Group 1-2 in Visit 13   | 550 Secs<br>[==>] | [1] |
|           | 2     | M31-B03-F16-WFC-F8 14W-short | (39) M31-B03-F16-WFC  | ACS/WFC, ACCUM, WFC           | F814W        |                               |                       | Prime + Parallel Group 1-2 in Visit 13   | 15 Secs<br>[==>]  | [1] |
|           | 3     | M31-B03-F13-UVIS-F2 75W      | (38) M31-B03-F13-UVIS | WFC3/UVIS, ACCUM, UVIS-CENTER | F275W        | CR-SPLIT=NO                   | POS TARG 1.655,2.96   | Prime + Parallel Group 3-4 in Visit 13   | 350 Secs<br>[==>] | [1] |
|           | 4     | M31-B03-F16-WFC-F8 14W       | (39) M31-B03-F16-WFC  | ACS/WFC, ACCUM, WFC           | F814W        |                               |                       | Prime + Parallel Group 3-4 in Visit 13   | 350 Secs<br>[==>] | [1] |
|           | 5     | M31-B03-F13-UVIS-F3 36W      | (38) M31-B03-F13-UVIS | WFC3/UVIS, ACCUM, UVIS-CENTER | F336W        | CR-SPLIT=NO                   | POS TARG 1.634,4.882  | Prime + Parallel Group 5-6 in Visit 13   | 800 Secs<br>[==>] | [1] |
|           | 6     | M31-B03-F16-WFC-F8 14W       | (39) M31-B03-F16-WFC  | ACS/WFC, ACCUM, WFC           | F814W        |                               |                       | Prime + Parallel Group 5-6 in Visit 13   | 800 Secs<br>[==>] | [1] |
|           | 7     | M31-B03-F13-UVIS-F2 75W      | (38) M31-B03-F13-UVIS | WFC3/UVIS, ACCUM, UVIS-CENTER | F275W        | CR-SPLIT=NO                   | POS TARG 1.525,4.882  | Prime + Parallel Group 7-8 in Visit 13   | 660 Secs<br>[==>] | [1] |
|           | 8     | M31-B03-F16-WFC-F8 14W       | (39) M31-B03-F16-WFC  | ACS/WFC, ACCUM, WFC           | F814W        |                               |                       | Prime + Parallel Group 7-8 in Visit 13   | 550 Secs<br>[==>] | [1] |
|           | 9     | M31-B03-F13-IR-f160 w        | (37) M31-B03-F13-IR   | WFC3/IR, MULTIACCUM, IR-FIX   | F160W        | NSAMP=9;<br>SAMP-SEQ=STEP200  | POS TARG 0,0          | Prime + Parallel Group 9-10 in Visit 13  | [==>]             | [2] |
|           | 10    | M31-B03-F16-WFC-F4 75W-short | (39) M31-B03-F16-WFC  | ACS/WFC, ACCUM, WFC           | F475W        |                               |                       | Prime + Parallel Group 9-10 in Visit 13  | 10 Secs<br>[==>]  | [2] |
|           | 11    | M31-B03-F13-IR-f110 w        | (37) M31-B03-F13-IR   | WFC3/IR, MULTIACCUM, IR-FIX   | F110W        | NSAMP=11;<br>SAMP-SEQ=STEP200 | POS TARG 0.187,0.086  | Prime + Parallel Group 11-12 in Visit 13 | [==>]             | [2] |
|           | 12    | M31-B03-F16-WFC-F4 75W       | (39) M31-B03-F16-WFC  | ACS/WFC, ACCUM, WFC           | F475W        |                               |                       | Prime + Parallel Group 11-12 in Visit 13 | 700 Secs<br>[==>] | [2] |
|           | 13    | M31-B03-F13-IR-f160 w        | (37) M31-B03-F13-IR   | WFC3/IR, MULTIACCUM, IR-FIX   | F160W        | NSAMP=9;<br>SAMP-SEQ=STEP200  | POS TARG 0.206,0.171  | Prime + Parallel Group 13-14 in Visit 13 | [==>]             | [2] |
|           | 14    | M31-B03-F16-WFC-F4 75W       | (39) M31-B03-F16-WFC  | ACS/WFC, ACCUM, WFC           | F475W        |                               |                       | Prime + Parallel Group 13-14 in Visit 13 | 360 Secs<br>[==>] | [2] |
|           | 15    | M31-B03-F13-IR-f160 w        | (37) M31-B03-F13-IR   | WFC3/IR, MULTIACCUM, IR-FIX   | F160W        | NSAMP=9;<br>SAMP-SEQ=STEP200  | POS TARG 0.263,0.188  | Prime + Parallel Group 15-16 in Visit 13 | [==>]             | [2] |
|           | 16    | M31-B03-F16-WFC-F4 75W       | (39) M31-B03-F16-WFC  | ACS/WFC, ACCUM, WFC           | F475W        |                               |                       | Prime + Parallel Group 15-16 in Visit 13 | 360 Secs<br>[==>] | [2] |
|           | 17    | M31-B03-F13-IR-f160 w        | (37) M31-B03-F13-IR   | WFC3/IR, MULTIACCUM, IR-FIX   | F160W        | NSAMP=11;<br>SAMP-SEQ=STEP100 | POS TARG 0.204,-0.001 | Prime + Parallel Group 17-18 in Visit 13 | [==>]             | [2] |
|           | 18    | M31-B03-F16-WFC-F4 75W       | (39) M31-B03-F16-WFC  | ACS/WFC, ACCUM, WFC           | F475W        |                               |                       | Prime + Parallel Group 17-18 in Visit 13 | 470 Secs<br>[==>] | [2] |

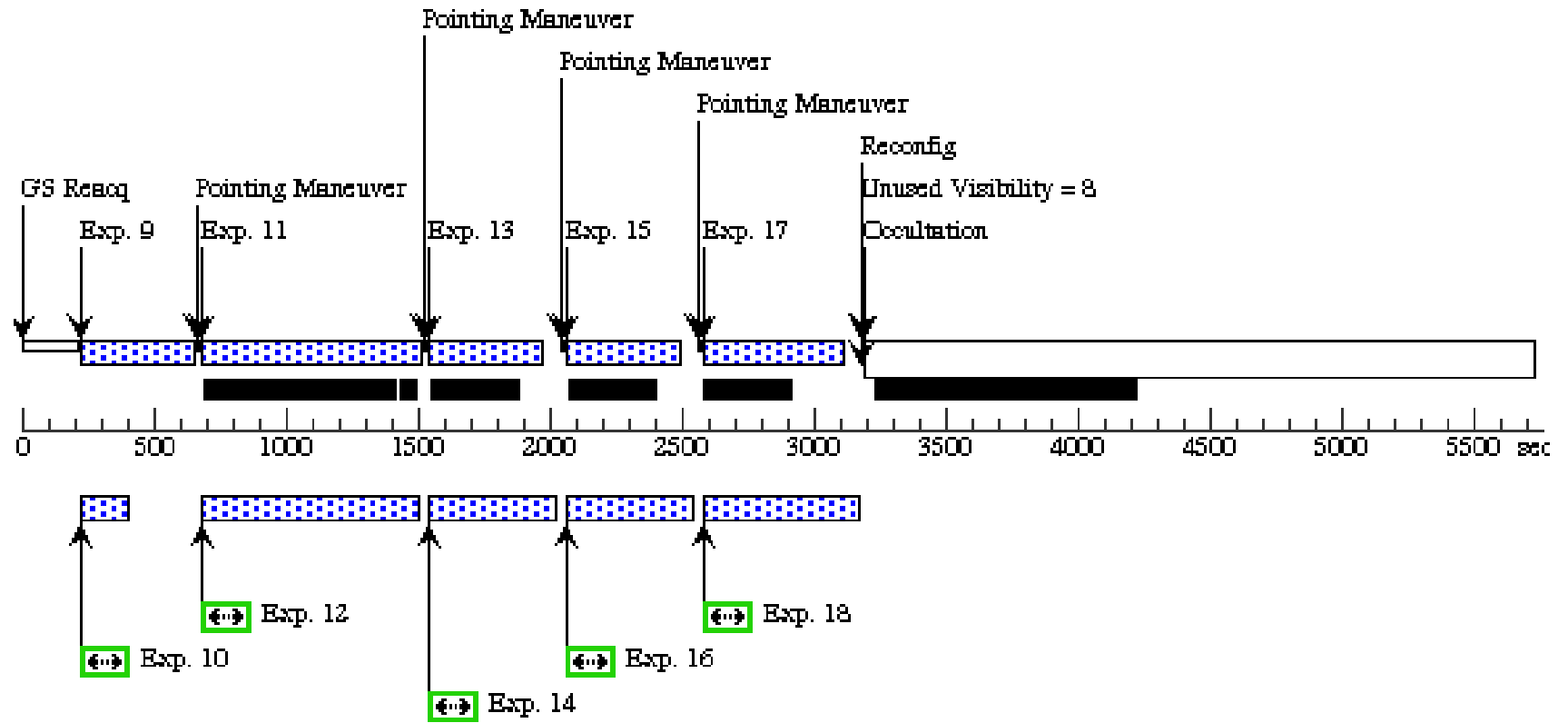
Orbit 1



Orbit Structure

Orbit 2

Server Version: 20121031



Proposal 12109 - Visit 14 - A Panchromatic Hubble Andromeda Treasury - I

Sat Jan 26 02:10:16 GMT 2013

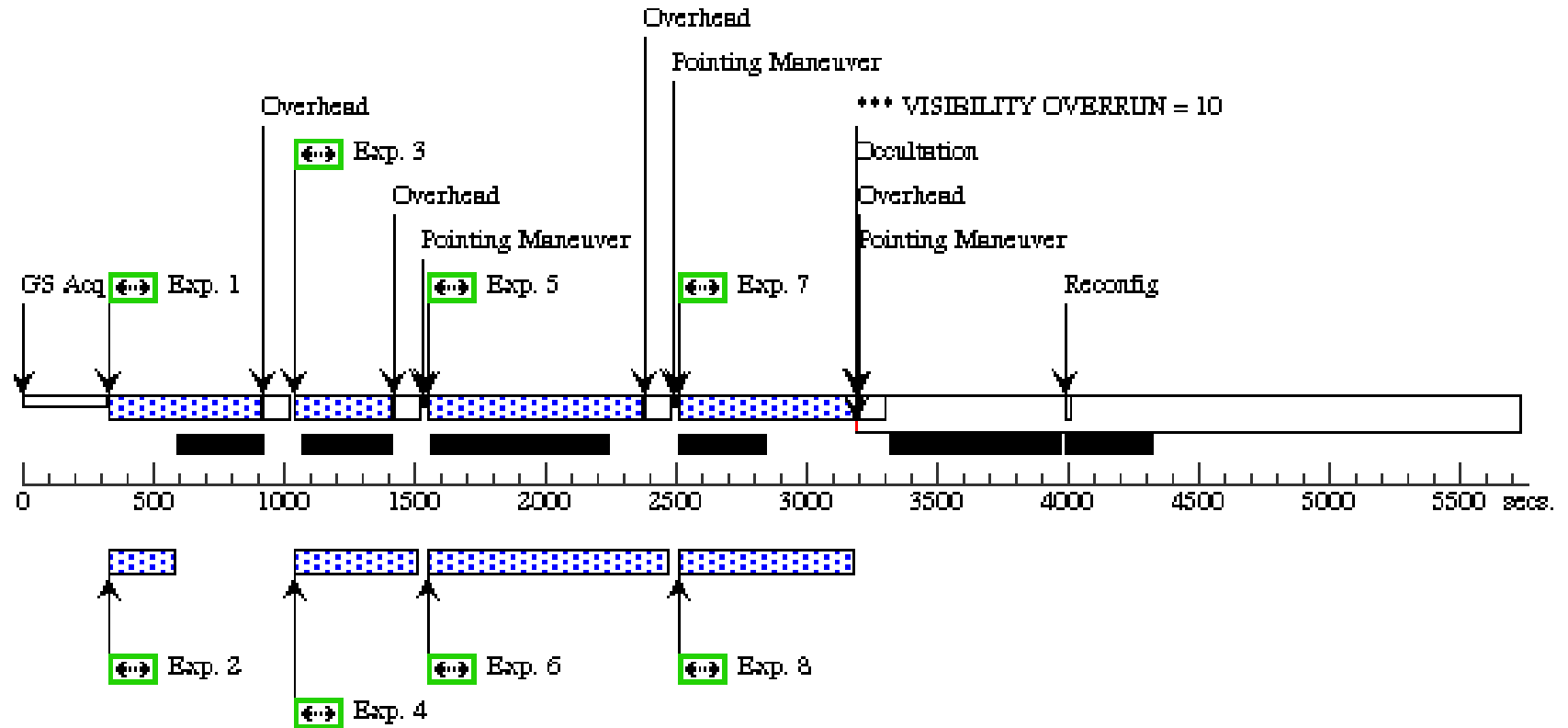
|                      |  |                  |  |                                 |               |                       |
|----------------------|--|------------------|--|---------------------------------|---------------|-----------------------|
| <b>Visit</b>         | <p><b>Proposal 12109, Visit 14, completed</b></p> <p><b>Diagnostic Status: Warning</b></p> <p>Scientific Instruments: WFC3/IR, WFC3/UVIS, ACS/WFC</p> <p>Special Requirements: SCHED 60%; ORIENT 69D TO 69 D</p>   |                  |  |                                 |               |                       |
| <b>Diagnostics</b>   | <p>(Visit 14) Warning (Form): The proposal is part of a large program (100 orbits or more in one cycle) and so should use Schedulability 100.</p> <p>(Visit 14) Warning (Orbit Planner): PARALLELS SIGNIFICANTLY EXTEND ALIGNMENT TIME</p> <p>(Visit 14) Warning (Orbit Planner): VISIBILITY OVERRUN</p> |                  |  |                                 |               |                       |
| <b>Fixed Targets</b> | <b>#</b>   | <b>Name</b>      | <b>Target Coordinates</b>  | <b>Targ. Coord. Corrections</b> | <b>Fluxes</b> | <b>Miscellaneous</b>  |
|                      | (40)   | M31-B03-F14-IR   | RA: 00 43 21.7317 (10.8405488d)<br>Dec: +41 17 53.54 (41.29821d)<br>Equinox: J2000 |                                 | V=20+/-0.1    | Reference Frame: ICRS |
|                      | (41)   | M31-B03-F14-UVIS | RA: 00 43 21.7317 (10.8405488d)<br>Dec: +41 17 53.54 (41.29821d)<br>Equinox: J2000 |                                 | V=20+/-0.1    | Reference Frame: ICRS |
|                      | (42)   | M31-B03-F17-WFC  | RA: 00 43 21.7317 (10.8405488d)<br>Dec: +41 17 53.54 (41.29821d)<br>Equinox: J2000 |                                 | V=20+/-0.1    | Reference Frame: ICRS |

Proposal 12109 - Visit 14 - A Panchromatic Hubble Andromeda Treasury - I

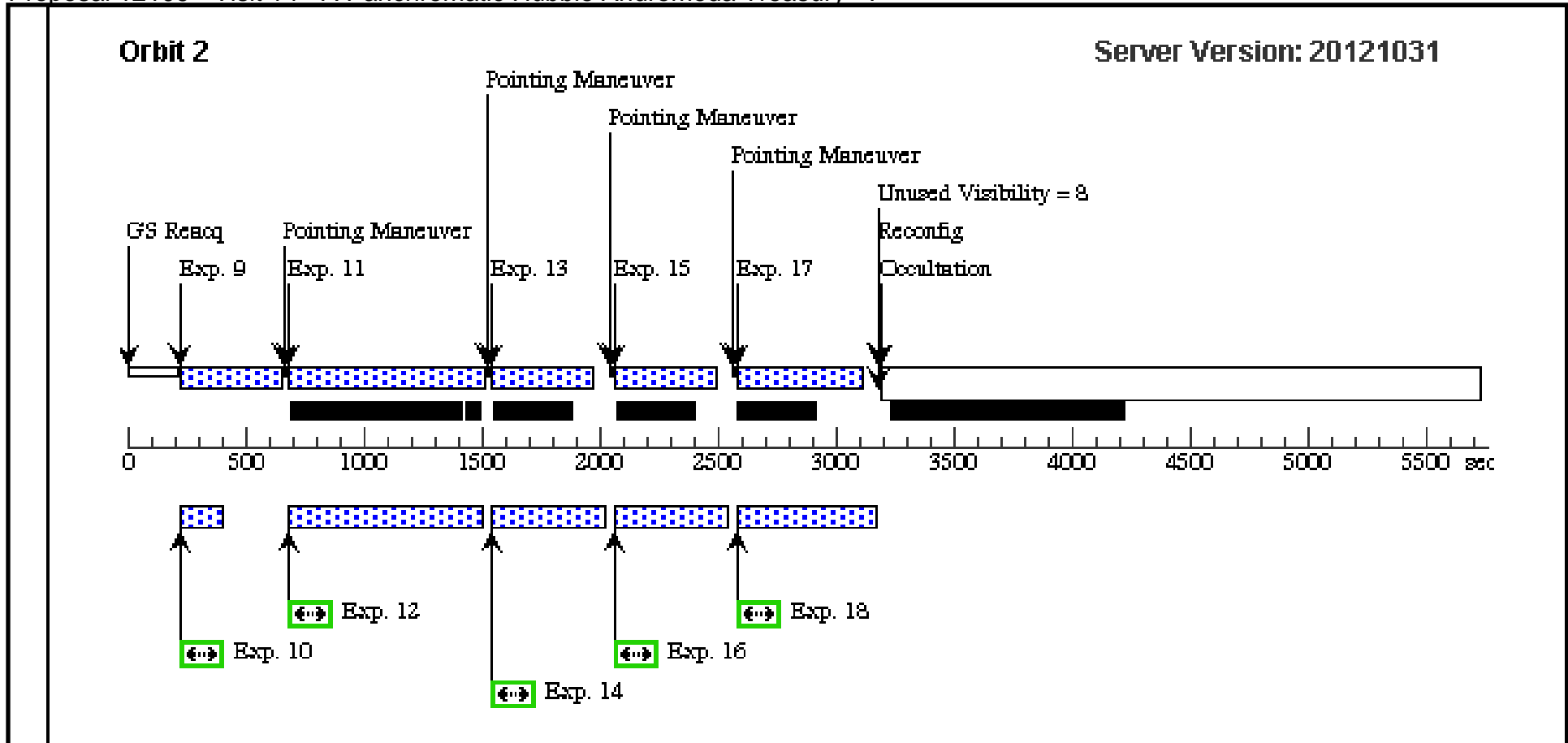
| #         | Label | Target                       | Config,Mode,Aperture  | Spectral Els.                 | Opt. Params. | Special Reqs.                 | Groups                | Exp. Time/[Actual Dur.]                  | Orbit             |     |
|-----------|-------|------------------------------|-----------------------|-------------------------------|--------------|-------------------------------|-----------------------|--|-------------------|-----|
| Exposures | 1     | M31-B03-F14-UVIS-F3 36W      | (41) M31-B03-F14-UVIS | WFC3/UVIS, ACCUM, UVIS-CENTER | F336W        | CR-SPLIT=NO                   | POS TARG 1.655,2.96   | Prime + Parallel Group 1-2 in Visit 14   | 550 Secs<br>[==>] | [1] |
|           | 2     | M31-B03-F17-WFC-F8 14W-short | (42) M31-B03-F17-WFC  | ACS/WFC, ACCUM, WFC           | F814W        |                               |                       | Prime + Parallel Group 1-2 in Visit 14   | 15 Secs<br>[==>]  | [1] |
|           | 3     | M31-B03-F14-UVIS-F2 75W      | (41) M31-B03-F14-UVIS | WFC3/UVIS, ACCUM, UVIS-CENTER | F275W        | CR-SPLIT=NO                   | POS TARG 1.655,2.96   | Prime + Parallel Group 3-4 in Visit 14   | 350 Secs<br>[==>] | [1] |
|           | 4     | M31-B03-F17-WFC-F8 14W       | (42) M31-B03-F17-WFC  | ACS/WFC, ACCUM, WFC           | F814W        |                               |                       | Prime + Parallel Group 3-4 in Visit 14   | 350 Secs<br>[==>] | [1] |
|           | 5     | M31-B03-F14-UVIS-F3 36W      | (41) M31-B03-F14-UVIS | WFC3/UVIS, ACCUM, UVIS-CENTER | F336W        | CR-SPLIT=NO                   | POS TARG 1.634,4.882  | Prime + Parallel Group 5-6 in Visit 14   | 800 Secs<br>[==>] | [1] |
|           | 6     | M31-B03-F17-WFC-F8 14W       | (42) M31-B03-F17-WFC  | ACS/WFC, ACCUM, WFC           | F814W        |                               |                       | Prime + Parallel Group 5-6 in Visit 14   | 800 Secs<br>[==>] | [1] |
|           | 7     | M31-B03-F14-UVIS-F2 75W      | (41) M31-B03-F14-UVIS | WFC3/UVIS, ACCUM, UVIS-CENTER | F275W        | CR-SPLIT=NO                   | POS TARG 1.525,4.882  | Prime + Parallel Group 7-8 in Visit 14   | 660 Secs<br>[==>] | [1] |
|           | 8     | M31-B03-F17-WFC-F8 14W       | (42) M31-B03-F17-WFC  | ACS/WFC, ACCUM, WFC           | F814W        |                               |                       | Prime + Parallel Group 7-8 in Visit 14   | 550 Secs<br>[==>] | [1] |
|           | 9     | M31-B03-F14-IR-f160w         | (40) M31-B03-F14-IR   | WFC3/IR, MULTIACCUM, IR-FIX   | F160W        | NSAMP=9;<br>SAMP-SEQ=STEP200  | POS TARG 0,0          | Prime + Parallel Group 9-10 in Visit 14  | [==>]             | [2] |
|           | 10    | M31-B03-F17-WFC-F4 75W-short | (42) M31-B03-F17-WFC  | ACS/WFC, ACCUM, WFC           | F475W        |                               |                       | Prime + Parallel Group 9-10 in Visit 14  | 10 Secs<br>[==>]  | [2] |
|           | 11    | M31-B03-F14-IR-f110w         | (40) M31-B03-F14-IR   | WFC3/IR, MULTIACCUM, IR-FIX   | F110W        | NSAMP=11;<br>SAMP-SEQ=STEP200 | POS TARG 0.187,0.086  | Prime + Parallel Group 11-12 in Visit 14 | [==>]             | [2] |
|           | 12    | M31-B03-F17-WFC-F4 75W       | (42) M31-B03-F17-WFC  | ACS/WFC, ACCUM, WFC           | F475W        |                               |                       | Prime + Parallel Group 11-12 in Visit 14 | 700 Secs<br>[==>] | [2] |
|           | 13    | M31-B03-F14-IR-f160w         | (40) M31-B03-F14-IR   | WFC3/IR, MULTIACCUM, IR-FIX   | F160W        | NSAMP=9;<br>SAMP-SEQ=STEP200  | POS TARG 0.206,0.171  | Prime + Parallel Group 13-14 in Visit 14 | [==>]             | [2] |
|           | 14    | M31-B03-F17-WFC-F4 75W       | (42) M31-B03-F17-WFC  | ACS/WFC, ACCUM, WFC           | F475W        |                               |                       | Prime + Parallel Group 13-14 in Visit 14 | 360 Secs<br>[==>] | [2] |
|           | 15    | M31-B03-F14-IR-f160w         | (40) M31-B03-F14-IR   | WFC3/IR, MULTIACCUM, IR-FIX   | F160W        | NSAMP=9;<br>SAMP-SEQ=STEP200  | POS TARG 0.263,0.188  | Prime + Parallel Group 15-16 in Visit 14 | [==>]             | [2] |
|           | 16    | M31-B03-F17-WFC-F4 75W       | (42) M31-B03-F17-WFC  | ACS/WFC, ACCUM, WFC           | F475W        |                               |                       | Prime + Parallel Group 15-16 in Visit 14 | 360 Secs<br>[==>] | [2] |
|           | 17    | M31-B03-F14-IR-f160w         | (40) M31-B03-F14-IR   | WFC3/IR, MULTIACCUM, IR-FIX   | F160W        | NSAMP=11;<br>SAMP-SEQ=STEP100 | POS TARG 0.204,-0.001 | Prime + Parallel Group 17-18 in Visit 14 | [==>]             | [2] |
|           | 18    | M31-B03-F17-WFC-F4 75W       | (42) M31-B03-F17-WFC  | ACS/WFC, ACCUM, WFC           | F475W        |                               |                       | Prime + Parallel Group 17-18 in Visit 14 | 470 Secs<br>[==>] | [2] |

**Orbit 1**

Server Version: 20121031



Orbit Structure



Proposal 12109 - Visit 15 - A Panchromatic Hubble Andromeda Treasury - I

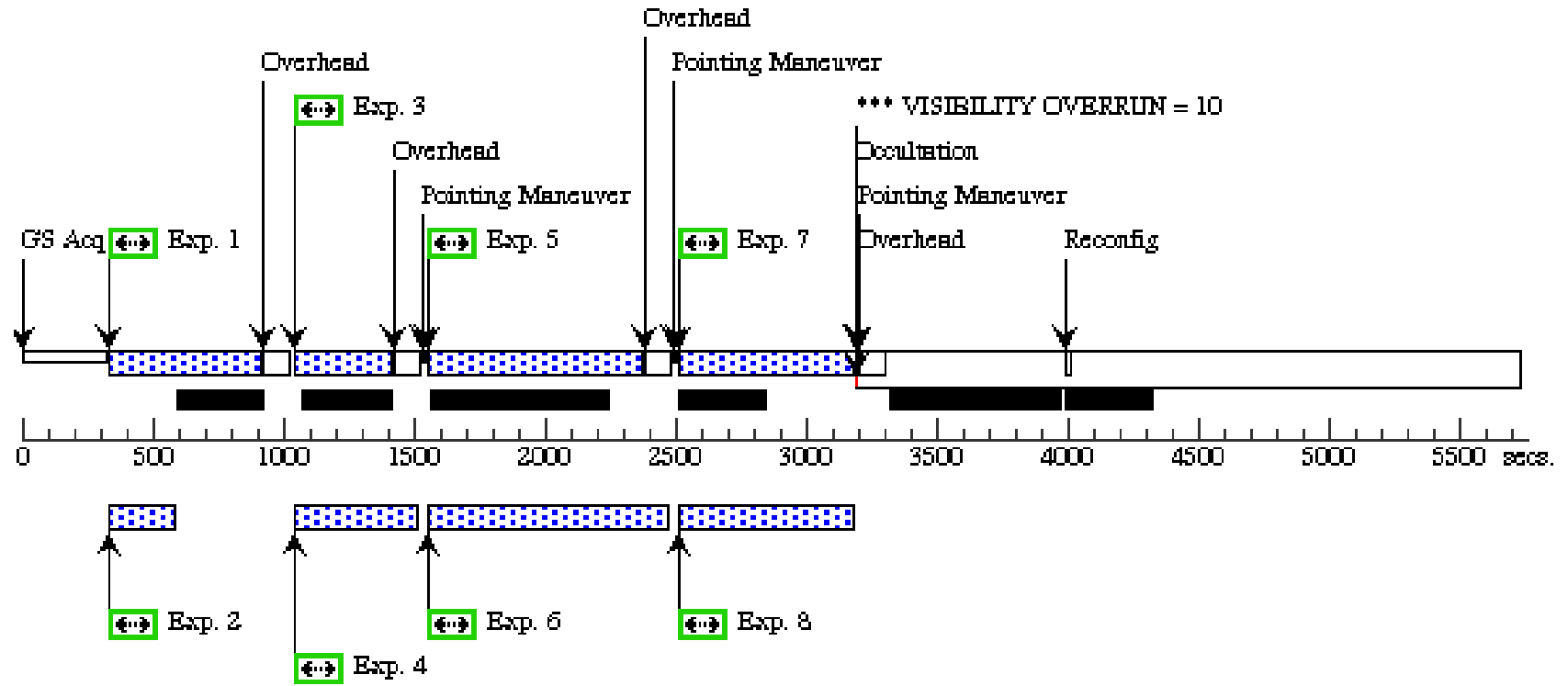
Sat Jan 26 02:10:19 GMT 2013

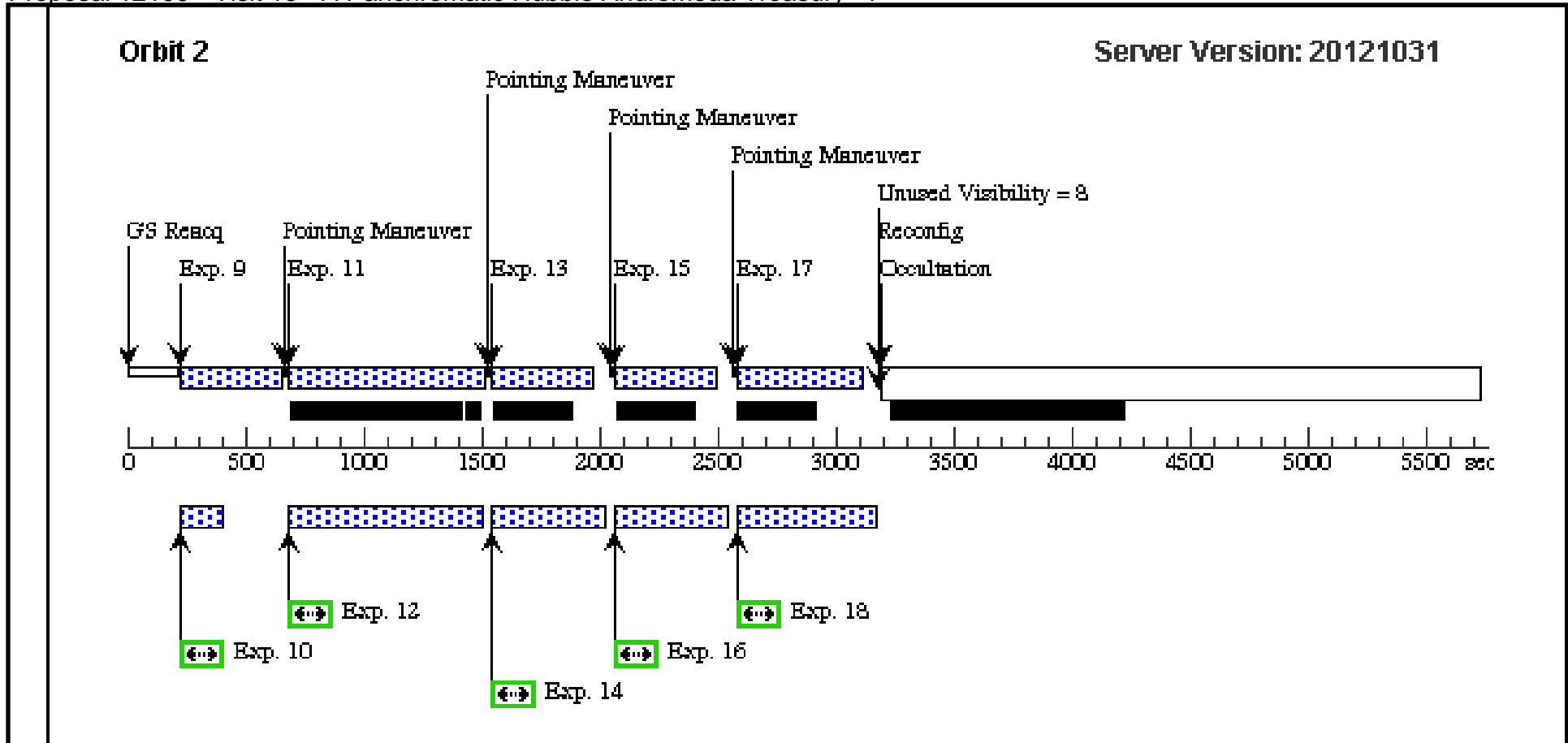
|                      |  |                  |  |                                 |               |                       |
|----------------------|--|------------------|--|---------------------------------|---------------|-----------------------|
| <b>Visit</b>         | <p><b>Proposal 12109, Visit 15, completed</b></p> <p><b>Diagnostic Status: Warning</b></p> <p>Scientific Instruments: WFC3/IR, WFC3/UVIS, ACS/WFC</p> <p>Special Requirements: SCHED 60%; ORIENT 69D TO 69 D</p>   |                  |  |                                 |               |                       |
| <b>Diagnostics</b>   | <p>(Visit 15) Warning (Form): The proposal is part of a large program (100 orbits or more in one cycle) and so should use Schedulability 100.</p> <p>(Visit 15) Warning (Orbit Planner): VISIBILITY OVERRUN</p> <p>(Visit 15) Warning (Orbit Planner): PARALLELS SIGNIFICANTLY EXTEND ALIGNMENT TIME</p> |                  |  |                                 |               |                       |
| <b>Fixed Targets</b> | <b>#</b>   | <b>Name</b>      | <b>Target Coordinates</b>  | <b>Targ. Coord. Corrections</b> | <b>Fluxes</b> | <b>Miscellaneous</b>  |
|                      | (43)   | M31-B03-F15-IR   | RA: 00 43 12.0931 (10.8003879d)<br>Dec: +41 18 41.86 (41.31163d)<br>Equinox: J2000 |                                 | V=20+/-0.1    | Reference Frame: ICRS |
|                      | (44)   | M31-B03-F15-UVIS | RA: 00 43 12.0931 (10.8003879d)<br>Dec: +41 18 41.86 (41.31163d)<br>Equinox: J2000 |                                 | V=20+/-0.1    | Reference Frame: ICRS |
|                      | (45)   | M31-B03-F18-WFC  | RA: 00 43 12.0931 (10.8003879d)<br>Dec: +41 18 41.86 (41.31163d)<br>Equinox: J2000 |                                 | V=20+/-0.1    | Reference Frame: ICRS |

Proposal 12109 - Visit 15 - A Panchromatic Hubble Andromeda Treasury - I

| #         | Label | Target                              | Config,Mode,Aperture      | Spectral Els.                    | Opt. Params. | Special Reqs.                     | Groups                    | Exp. Time/[Actual Dur.]                      | Orbit             |     |
|-----------|-------|-------------------------------------|---------------------------|----------------------------------|--------------|-----------------------------------|---------------------------|--|-------------------|-----|
| Exposures | 1     | M31-B03-F<br>15-UVIS-F3<br>36W      | (44) M31-B03-F15-<br>UVIS | WFC3/UVIS, ACCUM,<br>UVIS-CENTER | F336W        | CR-SPLIT=NO                       | POS TARG 1.655,2.<br>96   | Prime + Parallel Gro<br>up 1-2 in Visit 15   | 550 Secs<br>[==>] | [1] |
|           | 2     | M31-B03-F<br>18-WFC-F8<br>14W-short | (45) M31-B03-F18-<br>WFC  | ACS/WFC, ACCUM, WFC              | F814W        |                                   |                           | Prime + Parallel Gro<br>up 1-2 in Visit 15   | 15 Secs<br>[==>]  | [1] |
|           | 3     | M31-B03-F<br>15-UVIS-F2<br>75W      | (44) M31-B03-F15-<br>UVIS | WFC3/UVIS, ACCUM,<br>UVIS-CENTER | F275W        | CR-SPLIT=NO                       | POS TARG 1.655,2.<br>96   | Prime + Parallel Gro<br>up 3-4 in Visit 15   | 350 Secs<br>[==>] | [1] |
|           | 4     | M31-B03-F<br>18-WFC-F8<br>14W       | (45) M31-B03-F18-<br>WFC  | ACS/WFC, ACCUM, WFC              | F814W        |                                   |                           | Prime + Parallel Gro<br>up 3-4 in Visit 15   | 350 Secs<br>[==>] | [1] |
|           | 5     | M31-B03-F<br>15-UVIS-F3<br>36W      | (44) M31-B03-F15-<br>UVIS | WFC3/UVIS, ACCUM,<br>UVIS-CENTER | F336W        | CR-SPLIT=NO                       | POS TARG 1.634,4.<br>882  | Prime + Parallel Gro<br>up 5-6 in Visit 15   | 800 Secs<br>[==>] | [1] |
|           | 6     | M31-B03-F<br>18-WFC-F8<br>14W       | (45) M31-B03-F18-<br>WFC  | ACS/WFC, ACCUM, WFC              | F814W        |                                   |                           | Prime + Parallel Gro<br>up 5-6 in Visit 15   | 800 Secs<br>[==>] | [1] |
|           | 7     | M31-B03-F<br>15-UVIS-F2<br>75W      | (44) M31-B03-F15-<br>UVIS | WFC3/UVIS, ACCUM,<br>UVIS-CENTER | F275W        | CR-SPLIT=NO                       | POS TARG 1.525,4.<br>882  | Prime + Parallel Gro<br>up 7-8 in Visit 15   | 660 Secs<br>[==>] | [1] |
|           | 8     | M31-B03-F<br>18-WFC-F8<br>14W       | (45) M31-B03-F18-<br>WFC  | ACS/WFC, ACCUM, WFC              | F814W        |                                   |                           | Prime + Parallel Gro<br>up 7-8 in Visit 15   | 550 Secs<br>[==>] | [1] |
|           | 9     | M31-B03-F<br>15-IR-f160<br>w        | (43) M31-B03-F15-I<br>R   | WFC3/IR, MULTIACCUM, IR-FIX      | F160W        | NSAMP=9;<br>SAMP-SEQ=STEP2<br>00  | POS TARG 0,0              | Prime + Parallel Gro<br>up 9-10 in Visit 15  | [==>]             | [2] |
|           | 10    | M31-B03-F<br>18-WFC-F4<br>75W-short | (45) M31-B03-F18-<br>WFC  | ACS/WFC, ACCUM, WFC              | F475W        |                                   |                           | Prime + Parallel Gro<br>up 9-10 in Visit 15  | 10 Secs<br>[==>]  | [2] |
|           | 11    | M31-B03-F<br>15-IR-f110<br>w        | (43) M31-B03-F15-I<br>R   | WFC3/IR, MULTIACCUM, IR-FIX      | F110W        | NSAMP=11;<br>SAMP-SEQ=STEP2<br>00 | POS TARG 0.187,0.<br>086  | Prime + Parallel Gro<br>up 11-12 in Visit 15 | [==>]             | [2] |
|           | 12    | M31-B03-F<br>18-WFC-F4<br>75W       | (45) M31-B03-F18-<br>WFC  | ACS/WFC, ACCUM, WFC              | F475W        |                                   |                           | Prime + Parallel Gro<br>up 11-12 in Visit 15 | 700 Secs<br>[==>] | [2] |
|           | 13    | M31-B03-F<br>15-IR-f160<br>w        | (43) M31-B03-F15-I<br>R   | WFC3/IR, MULTIACCUM, IR-FIX      | F160W        | NSAMP=9;<br>SAMP-SEQ=STEP2<br>00  | POS TARG 0.206,0.<br>171  | Prime + Parallel Gro<br>up 13-14 in Visit 15 | [==>]             | [2] |
|           | 14    | M31-B03-F<br>18-WFC-F4<br>75W       | (45) M31-B03-F18-<br>WFC  | ACS/WFC, ACCUM, WFC              | F475W        |                                   |                           | Prime + Parallel Gro<br>up 13-14 in Visit 15 | 360 Secs<br>[==>] | [2] |
|           | 15    | M31-B03-F<br>15-IR-f160<br>w        | (43) M31-B03-F15-I<br>R   | WFC3/IR, MULTIACCUM, IR-FIX      | F160W        | NSAMP=9;<br>SAMP-SEQ=STEP2<br>00  | POS TARG 0.263,0.<br>188  | Prime + Parallel Gro<br>up 15-16 in Visit 15 | [==>]             | [2] |
|           | 16    | M31-B03-F<br>18-WFC-F4<br>75W       | (45) M31-B03-F18-<br>WFC  | ACS/WFC, ACCUM, WFC              | F475W        |                                   |                           | Prime + Parallel Gro<br>up 15-16 in Visit 15 | 360 Secs<br>[==>] | [2] |
|           | 17    | M31-B03-F<br>15-IR-f160<br>w        | (43) M31-B03-F15-I<br>R   | WFC3/IR, MULTIACCUM, IR-FIX      | F160W        | NSAMP=11;<br>SAMP-SEQ=STEP1<br>00 | POS TARG 0.204,-0<br>.001 | Prime + Parallel Gro<br>up 17-18 in Visit 15 | [==>]             | [2] |
|           | 18    | M31-B03-F<br>18-WFC-F4<br>75W       | (45) M31-B03-F18-<br>WFC  | ACS/WFC, ACCUM, WFC              | F475W        |                                   |                           | Prime + Parallel Gro<br>up 17-18 in Visit 15 | 470 Secs<br>[==>] | [2] |

Orbit 1





Proposal 12109 - Visit 16 - A Panchromatic Hubble Andromeda Treasury - I

Sat Jan 26 02:10:21 GMT 2013

|                      |   |                  |   |                                 |               |                       |
|----------------------|---|------------------|---|---------------------------------|---------------|-----------------------|
| <b>Visit</b>         | <b>Proposal 12109, Visit 16, completed</b><br><b>Diagnostic Status: Warning</b><br>Scientific Instruments: WFC3/IR, WFC3/UVIS, ACS/WFC<br>Special Requirements: SCHED 100%; ORIENT 249D TO 249 D  |                  |   |                                 |               |                       |
| <b>Diagnostics</b>   | (Visit 16) Warning (Orbit Planner): PARALLELS SIGNIFICANTLY EXTEND ALIGNMENT TIME<br>(Visit 16) Warning (Orbit Planner): PARALLELS SIGNIFICANTLY EXTEND ALIGNMENT TIME<br>(Visit 16) Warning (Orbit Planner): PARALLELS SIGNIFICANTLY EXTEND ALIGNMENT TIME<br>(Visit 16) Warning (Orbit Planner): VISIBILITY OVERRUN |                  |   |                                 |               |                       |
| <b>Fixed Targets</b> | <b>#</b>  | <b>Name</b>      | <b>Target Coordinates</b>   | <b>Targ. Coord. Corrections</b> | <b>Fluxes</b> | <b>Miscellaneous</b>  |
|                      | (46)  | M31-B03-F16-IR   | RA: 00 43 2.2414 (10.7593392d)<br>Dec: +41 19 30.18 (41.32505d)<br>Equinox: J2000 |                                 | V=20+/-0.1    | Reference Frame: ICRS |
|                      | (47)  | M31-B03-F16-UVIS | RA: 00 43 2.2414 (10.7593392d)<br>Dec: +41 19 30.18 (41.32505d)<br>Equinox: J2000 |                                 | V=20+/-0.1    | Reference Frame: ICRS |
|                      | (48)  | M31-B03-F13-WFC  | RA: 00 43 2.2414 (10.7593392d)<br>Dec: +41 19 30.18 (41.32505d)<br>Equinox: J2000 |                                 | V=20+/-0.1    | Reference Frame: ICRS |

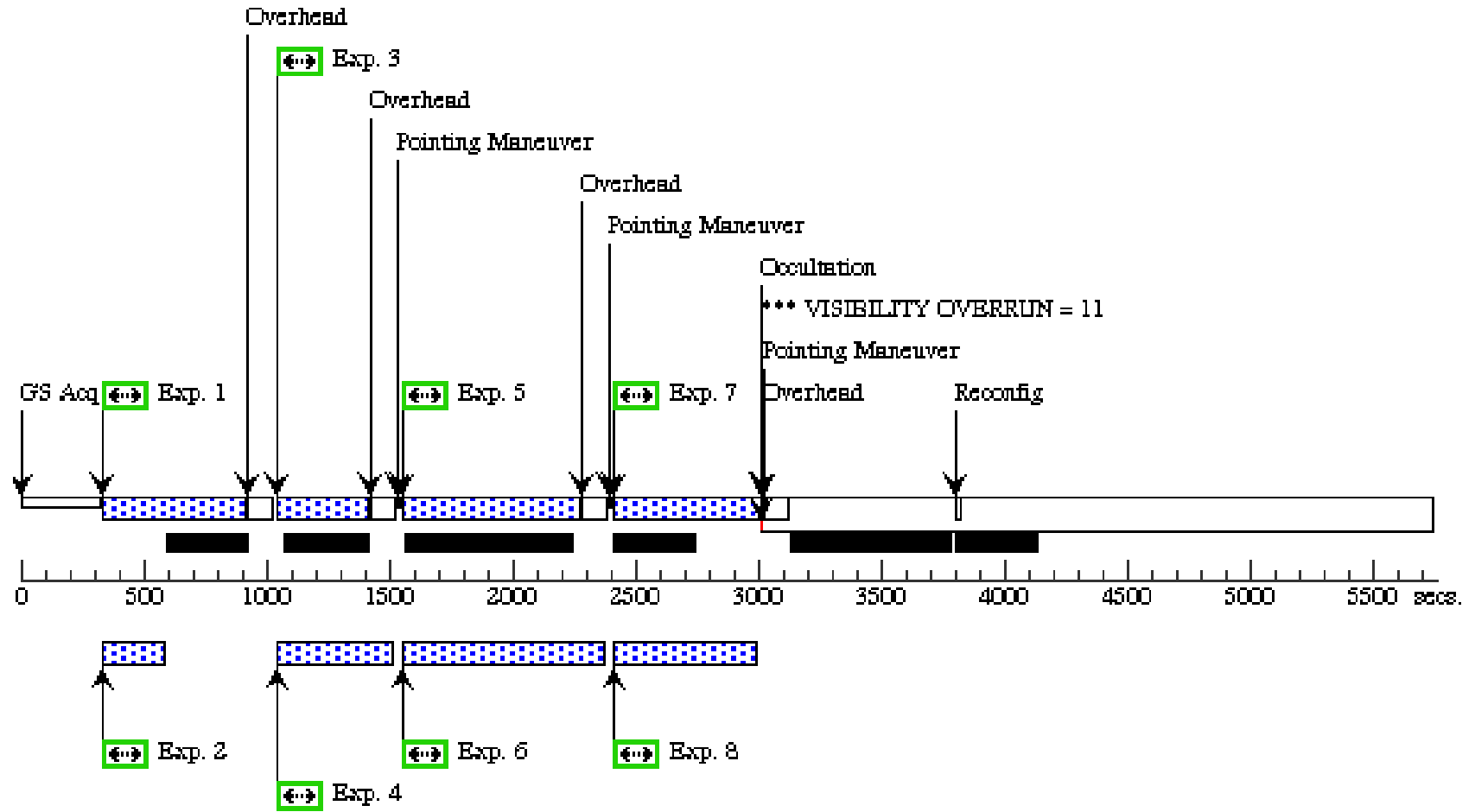
Proposal 12109 - Visit 16 - A Panchromatic Hubble Andromeda Treasury - I

| #         | Label | Target                       | Config,Mode,Aperture  | Spectral Els.                 | Opt. Params. | Special Reqs.                 | Groups                | Exp. Time/[Actual Dur.]                  | Orbit             |     |
|-----------|-------|------------------------------|-----------------------|-------------------------------|--------------|-------------------------------|-----------------------|--|-------------------|-----|
| Exposures | 1     | M31-B03-F16-UVIS-F3 36W      | (47) M31-B03-F16-UVIS | WFC3/UVIS, ACCUM, UVIS-CENTER | F336W        | CR-SPLIT=NO                   | POS TARG 1.655,2.96   | Prime + Parallel Group 1-2 in Visit 16   | 550 Secs<br>[==>] | [1] |
|           | 2     | M31-B03-F13-WFC-F8 14W-short | (48) M31-B03-F13-WFC  | ACS/WFC, ACCUM, WFC           | F814W        |                               |                       | Prime + Parallel Group 1-2 in Visit 16   | 15 Secs<br>[==>]  | [1] |
|           | 3     | M31-B03-F16-UVIS-F2 75W      | (47) M31-B03-F16-UVIS | WFC3/UVIS, ACCUM, UVIS-CENTER | F275W        | CR-SPLIT=NO                   | POS TARG 1.655,2.96   | Prime + Parallel Group 3-4 in Visit 16   | 350 Secs<br>[==>] | [1] |
|           | 4     | M31-B03-F13-WFC-F8 14W       | (48) M31-B03-F13-WFC  | ACS/WFC, ACCUM, WFC           | F814W        |                               |                       | Prime + Parallel Group 3-4 in Visit 16   | 350 Secs<br>[==>] | [1] |
|           | 5     | M31-B03-F16-UVIS-F3 36W      | (47) M31-B03-F16-UVIS | WFC3/UVIS, ACCUM, UVIS-CENTER | F336W        | CR-SPLIT=NO                   | POS TARG 1.634,4.882  | Prime + Parallel Group 5-6 in Visit 16   | 700 Secs<br>[==>] | [1] |
|           | 6     | M31-B03-F13-WFC-F8 14W       | (48) M31-B03-F13-WFC  | ACS/WFC, ACCUM, WFC           | F814W        |                               |                       | Prime + Parallel Group 5-6 in Visit 16   | 700 Secs<br>[==>] | [1] |
|           | 7     | M31-B03-F16-UVIS-F2 75W      | (47) M31-B03-F16-UVIS | WFC3/UVIS, ACCUM, UVIS-CENTER | F275W        | CR-SPLIT=NO                   | POS TARG 1.525,4.882  | Prime + Parallel Group 7-8 in Visit 16   | 575 Secs<br>[==>] | [1] |
|           | 8     | M31-B03-F13-WFC-F8 14W       | (48) M31-B03-F13-WFC  | ACS/WFC, ACCUM, WFC           | F814W        |                               |                       | Prime + Parallel Group 7-8 in Visit 16   | 455 Secs<br>[==>] | [1] |
|           | 9     | M31-B03-F16-IR-f160 w        | (46) M31-B03-F16-IR   | WFC3/IR, MULTIACCUM, IR-FIX   | F160W        | NSAMP=9;<br>SAMP-SEQ=STEP200  | POS TARG 0,0          | Prime + Parallel Group 9-10 in Visit 16  | [==>]             | [2] |
|           | 10    | M31-B03-F13-WFC-F4 75W-short | (48) M31-B03-F13-WFC  | ACS/WFC, ACCUM, WFC           | F475W        |                               |                       | Prime + Parallel Group 9-10 in Visit 16  | 10 Secs<br>[==>]  | [2] |
|           | 11    | M31-B03-F16-IR-f110 w        | (46) M31-B03-F16-IR   | WFC3/IR, MULTIACCUM, IR-FIX   | F110W        | NSAMP=13;<br>SAMP-SEQ=STEP100 | POS TARG 0.187,0.086  | Prime + Parallel Group 11-12 in Visit 16 | [==>]             | [2] |
|           | 12    | M31-B03-F13-WFC-F4 75W       | (48) M31-B03-F13-WFC  | ACS/WFC, ACCUM, WFC           | F475W        |                               |                       | Prime + Parallel Group 11-12 in Visit 16 | 600 Secs<br>[==>] | [2] |
|           | 13    | M31-B03-F16-IR-f160 w        | (46) M31-B03-F16-IR   | WFC3/IR, MULTIACCUM, IR-FIX   | F160W        | NSAMP=9;<br>SAMP-SEQ=STEP200  | POS TARG 0.206,0.171  | Prime + Parallel Group 13-14 in Visit 16 | [==>]             | [2] |
|           | 14    | M31-B03-F13-WFC-F4 75W       | (48) M31-B03-F13-WFC  | ACS/WFC, ACCUM, WFC           | F475W        |                               |                       | Prime + Parallel Group 13-14 in Visit 16 | 370 Secs<br>[==>] | [2] |
|           | 15    | M31-B03-F16-IR-f160 w        | (46) M31-B03-F16-IR   | WFC3/IR, MULTIACCUM, IR-FIX   | F160W        | NSAMP=9;<br>SAMP-SEQ=STEP200  | POS TARG 0.263,0.188  | Prime + Parallel Group 15-16 in Visit 16 | [==>]             | [2] |
|           | 16    | M31-B03-F13-WFC-F4 75W       | (48) M31-B03-F13-WFC  | ACS/WFC, ACCUM, WFC           | F475W        |                               |                       | Prime + Parallel Group 15-16 in Visit 16 | 370 Secs<br>[==>] | [2] |
|           | 17    | M31-B03-F16-IR-f160 w        | (46) M31-B03-F16-IR   | WFC3/IR, MULTIACCUM, IR-FIX   | F160W        | NSAMP=9;<br>SAMP-SEQ=STEP200  | POS TARG 0.204,-0.001 | Prime + Parallel Group 17-18 in Visit 16 | [==>]             | [2] |
|           | 18    | M31-B03-F13-WFC-F4 75W       | (48) M31-B03-F13-WFC  | ACS/WFC, ACCUM, WFC           | F475W        |                               |                       | Prime + Parallel Group 17-18 in Visit 16 | 370 Secs<br>[==>] | [2] |

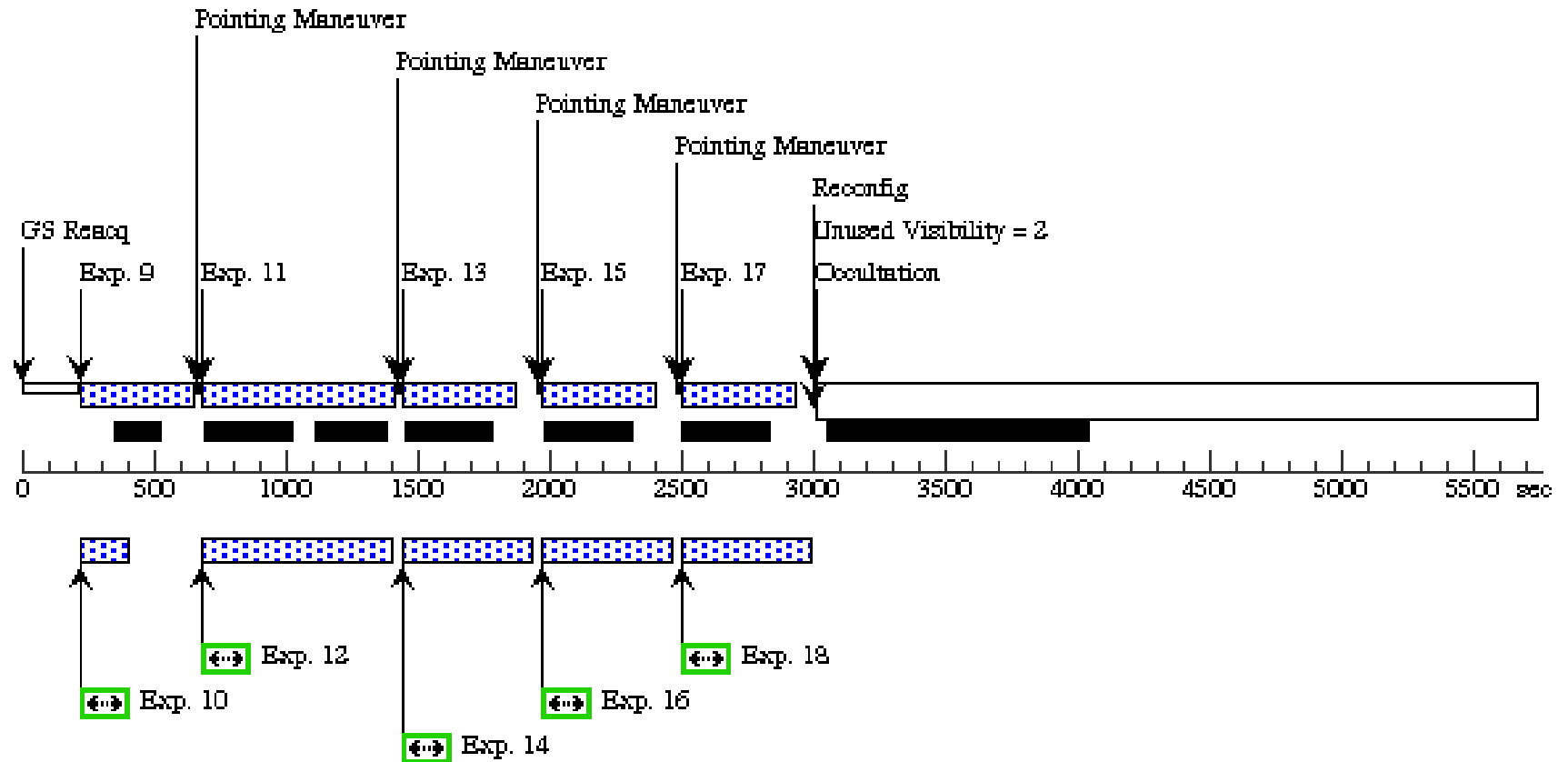
Orbit 1

Server Version: 20121031

Orbit Structure



Orbit 2



Proposal 12109 - Visit 17 - A Panchromatic Hubble Andromeda Treasury - I

|                      |   |                  |  |                                 |               |                       |
|----------------------|---|------------------|--|---------------------------------|---------------|-----------------------|
| <b>Visit</b>         | Proposal 12109, Visit 17, completed <span style="float: right;">Sat Jan 26 02:10:24 GMT 2013</span><br><b>Diagnostic Status: Warning</b><br>Scientific Instruments: WFC3/IR, WFC3/UVIS, ACS/WFC<br>Special Requirements: SCHED 100%; ORIENT 249D TO 249 D   |                  |  |                                 |               |                       |
| <b>Diagnostics</b>   | (Visit 17) Warning (Orbit Planner): PARALLELS SIGNIFICANTLY EXTEND ALIGNMENT TIME<br>(Visit 17) Warning (Orbit Planner): VISIBILITY OVERRUN<br>(Visit 17) Warning (Orbit Planner): PARALLELS SIGNIFICANTLY EXTEND ALIGNMENT TIME<br>(Visit 17) Warning (Orbit Planner): PARALLELS SIGNIFICANTLY EXTEND ALIGNMENT TIME |                  |  |                                 |               |                       |
| <b>Fixed Targets</b> | <b>#</b>  | <b>Name</b>      | <b>Target Coordinates</b>  | <b>Targ. Coord. Corrections</b> | <b>Fluxes</b> | <b>Miscellaneous</b>  |
|                      | (49)  | M31-B03-F17-IR   | RA: 00 42 52.6029 (10.7191788d)<br>Dec: +41 20 18.50 (41.33847d)<br>Equinox: J2000 |                                 | V=20+/-0.1    | Reference Frame: ICRS |
|                      | (50)  | M31-B03-F17-UVIS | RA: 00 42 52.6029 (10.7191788d)<br>Dec: +41 20 18.50 (41.33847d)<br>Equinox: J2000 |                                 | V=20+/-0.1    | Reference Frame: ICRS |
|                      | (51)  | M31-B03-F14-WFC  | RA: 00 42 52.6029 (10.7191788d)<br>Dec: +41 20 18.50 (41.33847d)<br>Equinox: J2000 |                                 | V=20+/-0.1    | Reference Frame: ICRS |

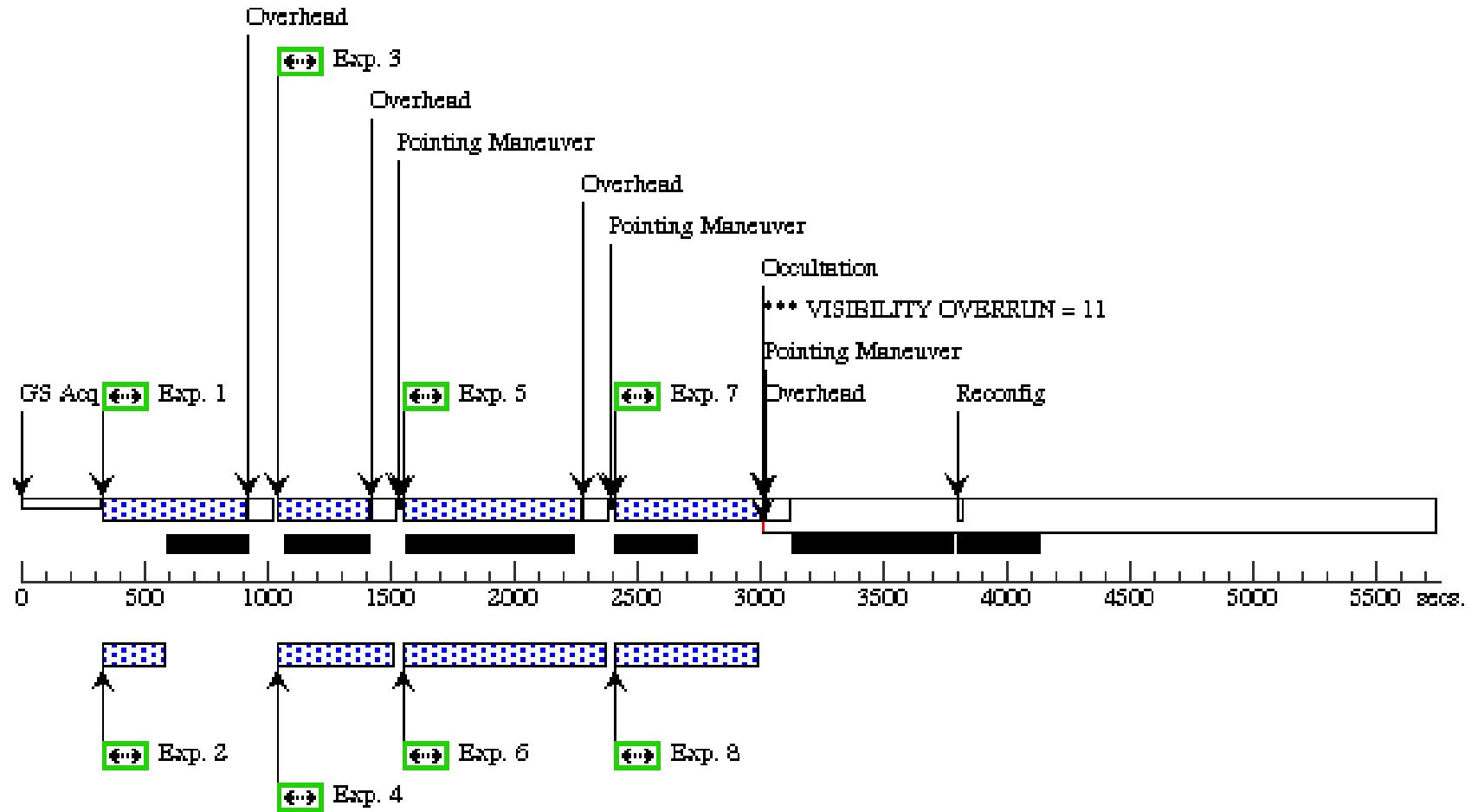
Proposal 12109 - Visit 17 - A Panchromatic Hubble Andromeda Treasury - I

| #         | Label | Target                              | Config,Mode,Aperture      | Spectral Els.                    | Opt. Params. | Special Reqs.                     | Groups                    | Exp. Time/[Actual Dur.]                      | Orbit             |     |
|-----------|-------|-------------------------------------|---------------------------|----------------------------------|--------------|-----------------------------------|---------------------------|--|-------------------|-----|
| Exposures | 1     | M31-B03-F<br>17-UVIS-F3<br>36W      | (50) M31-B03-F17-<br>UVIS | WFC3/UVIS, ACCUM,<br>UVIS-CENTER | F336W        | CR-SPLIT=NO                       | POS TARG 1.655,2.<br>96   | Prime + Parallel Gro<br>up 1-2 in Visit 17   | 550 Secs<br>[==>] | [1] |
|           | 2     | M31-B03-F<br>14-WFC-F8<br>14W-short | (51) M31-B03-F14-<br>WFC  | ACS/WFC, ACCUM, WFC              | F814W        |                                   |                           | Prime + Parallel Gro<br>up 1-2 in Visit 17   | 15 Secs<br>[==>]  | [1] |
|           | 3     | M31-B03-F<br>17-UVIS-F2<br>75W      | (50) M31-B03-F17-<br>UVIS | WFC3/UVIS, ACCUM,<br>UVIS-CENTER | F275W        | CR-SPLIT=NO                       | POS TARG 1.655,2.<br>96   | Prime + Parallel Gro<br>up 3-4 in Visit 17   | 350 Secs<br>[==>] | [1] |
|           | 4     | M31-B03-F<br>14-WFC-F8<br>14W       | (51) M31-B03-F14-<br>WFC  | ACS/WFC, ACCUM, WFC              | F814W        |                                   |                           | Prime + Parallel Gro<br>up 3-4 in Visit 17   | 350 Secs<br>[==>] | [1] |
|           | 5     | M31-B03-F<br>17-UVIS-F3<br>36W      | (50) M31-B03-F17-<br>UVIS | WFC3/UVIS, ACCUM,<br>UVIS-CENTER | F336W        | CR-SPLIT=NO                       | POS TARG 1.634,4.<br>882  | Prime + Parallel Gro<br>up 5-6 in Visit 17   | 700 Secs<br>[==>] | [1] |
|           | 6     | M31-B03-F<br>14-WFC-F8<br>14W       | (51) M31-B03-F14-<br>WFC  | ACS/WFC, ACCUM, WFC              | F814W        |                                   |                           | Prime + Parallel Gro<br>up 5-6 in Visit 17   | 700 Secs<br>[==>] | [1] |
|           | 7     | M31-B03-F<br>17-UVIS-F2<br>75W      | (50) M31-B03-F17-<br>UVIS | WFC3/UVIS, ACCUM,<br>UVIS-CENTER | F275W        | CR-SPLIT=NO                       | POS TARG 1.525,4.<br>882  | Prime + Parallel Gro<br>up 7-8 in Visit 17   | 575 Secs<br>[==>] | [1] |
|           | 8     | M31-B03-F<br>14-WFC-F8<br>14W       | (51) M31-B03-F14-<br>WFC  | ACS/WFC, ACCUM, WFC              | F814W        |                                   |                           | Prime + Parallel Gro<br>up 7-8 in Visit 17   | 455 Secs<br>[==>] | [1] |
|           | 9     | M31-B03-F<br>17-IR-f160<br>w        | (49) M31-B03-F17-I<br>R   | WFC3/IR, MULTIACCUM, IR-FIX      | F160W        | NSAMP=9;<br>SAMP-SEQ=STEP2<br>00  | POS TARG 0,0              | Prime + Parallel Gro<br>up 9-10 in Visit 17  | [==>]             | [2] |
|           | 10    | M31-B03-F<br>14-WFC-F4<br>75W-short | (51) M31-B03-F14-<br>WFC  | ACS/WFC, ACCUM, WFC              | F475W        |                                   |                           | Prime + Parallel Gro<br>up 9-10 in Visit 17  | 10 Secs<br>[==>]  | [2] |
|           | 11    | M31-B03-F<br>17-IR-f110<br>w        | (49) M31-B03-F17-I<br>R   | WFC3/IR, MULTIACCUM, IR-FIX      | F110W        | NSAMP=13;<br>SAMP-SEQ=STEP1<br>00 | POS TARG 0.187,0.<br>086  | Prime + Parallel Gro<br>up 11-12 in Visit 17 | [==>]             | [2] |
|           | 12    | M31-B03-F<br>14-WFC-F4<br>75W       | (51) M31-B03-F14-<br>WFC  | ACS/WFC, ACCUM, WFC              | F475W        |                                   |                           | Prime + Parallel Gro<br>up 11-12 in Visit 17 | 600 Secs<br>[==>] | [2] |
|           | 13    | M31-B03-F<br>17-IR-f160<br>w        | (49) M31-B03-F17-I<br>R   | WFC3/IR, MULTIACCUM, IR-FIX      | F160W        | NSAMP=9;<br>SAMP-SEQ=STEP2<br>00  | POS TARG 0.206,0.<br>171  | Prime + Parallel Gro<br>up 13-14 in Visit 17 | [==>]             | [2] |
|           | 14    | M31-B03-F<br>14-WFC-F4<br>75W       | (51) M31-B03-F14-<br>WFC  | ACS/WFC, ACCUM, WFC              | F475W        |                                   |                           | Prime + Parallel Gro<br>up 13-14 in Visit 17 | 370 Secs<br>[==>] | [2] |
|           | 15    | M31-B03-F<br>17-IR-f160<br>w        | (49) M31-B03-F17-I<br>R   | WFC3/IR, MULTIACCUM, IR-FIX      | F160W        | NSAMP=9;<br>SAMP-SEQ=STEP2<br>00  | POS TARG 0.263,0.<br>188  | Prime + Parallel Gro<br>up 15-16 in Visit 17 | [==>]             | [2] |
|           | 16    | M31-B03-F<br>14-WFC-F4<br>75W       | (51) M31-B03-F14-<br>WFC  | ACS/WFC, ACCUM, WFC              | F475W        |                                   |                           | Prime + Parallel Gro<br>up 15-16 in Visit 17 | 370 Secs<br>[==>] | [2] |
|           | 17    | M31-B03-F<br>17-IR-f160<br>w        | (49) M31-B03-F17-I<br>R   | WFC3/IR, MULTIACCUM, IR-FIX      | F160W        | NSAMP=9;<br>SAMP-SEQ=STEP2<br>00  | POS TARG 0.204,-0<br>.001 | Prime + Parallel Gro<br>up 17-18 in Visit 17 | [==>]             | [2] |
|           | 18    | M31-B03-F<br>14-WFC-F4<br>75W       | (51) M31-B03-F14-<br>WFC  | ACS/WFC, ACCUM, WFC              | F475W        |                                   |                           | Prime + Parallel Gro<br>up 17-18 in Visit 17 | 370 Secs<br>[==>] | [2] |

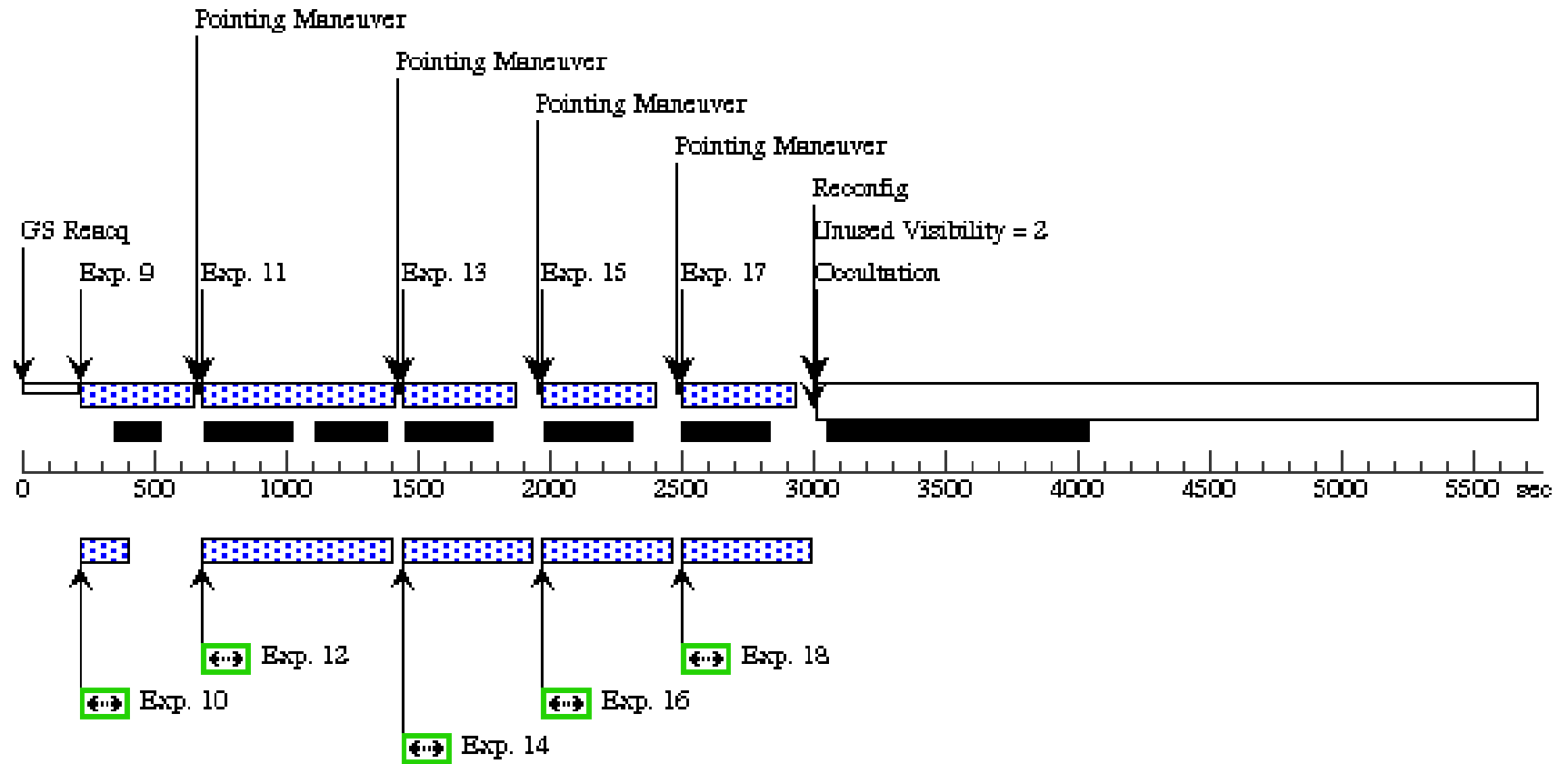
Orbit 1

Server Version: 20121031

Orbit Structure



Orbit 2



Proposal 12109 - Visit 18 - A Panchromatic Hubble Andromeda Treasury - I

Sat Jan 26 02:10:27 GMT 2013

|                      |  |                  |   |                                 |               |                       |
|----------------------|--|------------------|---|---------------------------------|---------------|-----------------------|
| <b>Visit</b>         | <b>Proposal 12109, Visit 18, completed</b><br><b>Diagnostic Status: Warning</b><br>Scientific Instruments: WFC3/IR, WFC3/UVIS, ACS/WFC<br>Special Requirements: SCHED 100%; ORIENT 249D TO 249 D |                  |   |                                 |               |                       |
| <b>Diagnostics</b>   | (Visit 18) Warning (Orbit Planner): PARALLELS SIGNIFICANTLY EXTEND ALIGNMENT TIME  |                  |   |                                 |               |                       |
|                      | (Visit 18) Warning (Orbit Planner): VISIBILITY OVERRUN   |                  |   |                                 |               |                       |
|                      | (Visit 18) Warning (Orbit Planner): PARALLELS SIGNIFICANTLY EXTEND ALIGNMENT TIME  |                  |   |                                 |               |                       |
|                      | (Visit 18) Warning (Orbit Planner): PARALLELS SIGNIFICANTLY EXTEND ALIGNMENT TIME  |                  |   |                                 |               |                       |
| <b>Fixed Targets</b> | <b>#</b>   | <b>Name</b>      | <b>Target Coordinates</b>   | <b>Targ. Coord. Corrections</b> | <b>Fluxes</b> | <b>Miscellaneous</b>  |
|                      | (52)   | M31-B03-F18-IR   | RA: 00 42 42.9644 (10.6790183d)<br>Dec: +41 21 6.82 (41.35189d)<br>Equinox: J2000 |                                 | V=20+/-0.1    | Reference Frame: ICRS |
|                      | (53)   | M31-B03-F18-UVIS | RA: 00 42 42.9644 (10.6790183d)<br>Dec: +41 21 6.82 (41.35189d)<br>Equinox: J2000 |                                 | V=20+/-0.1    | Reference Frame: ICRS |
|                      | (54)   | M31-B03-F15-WFC  | RA: 00 42 42.9644 (10.6790183d)<br>Dec: +41 21 6.82 (41.35189d)<br>Equinox: J2000 |                                 | V=20+/-0.1    | Reference Frame: ICRS |

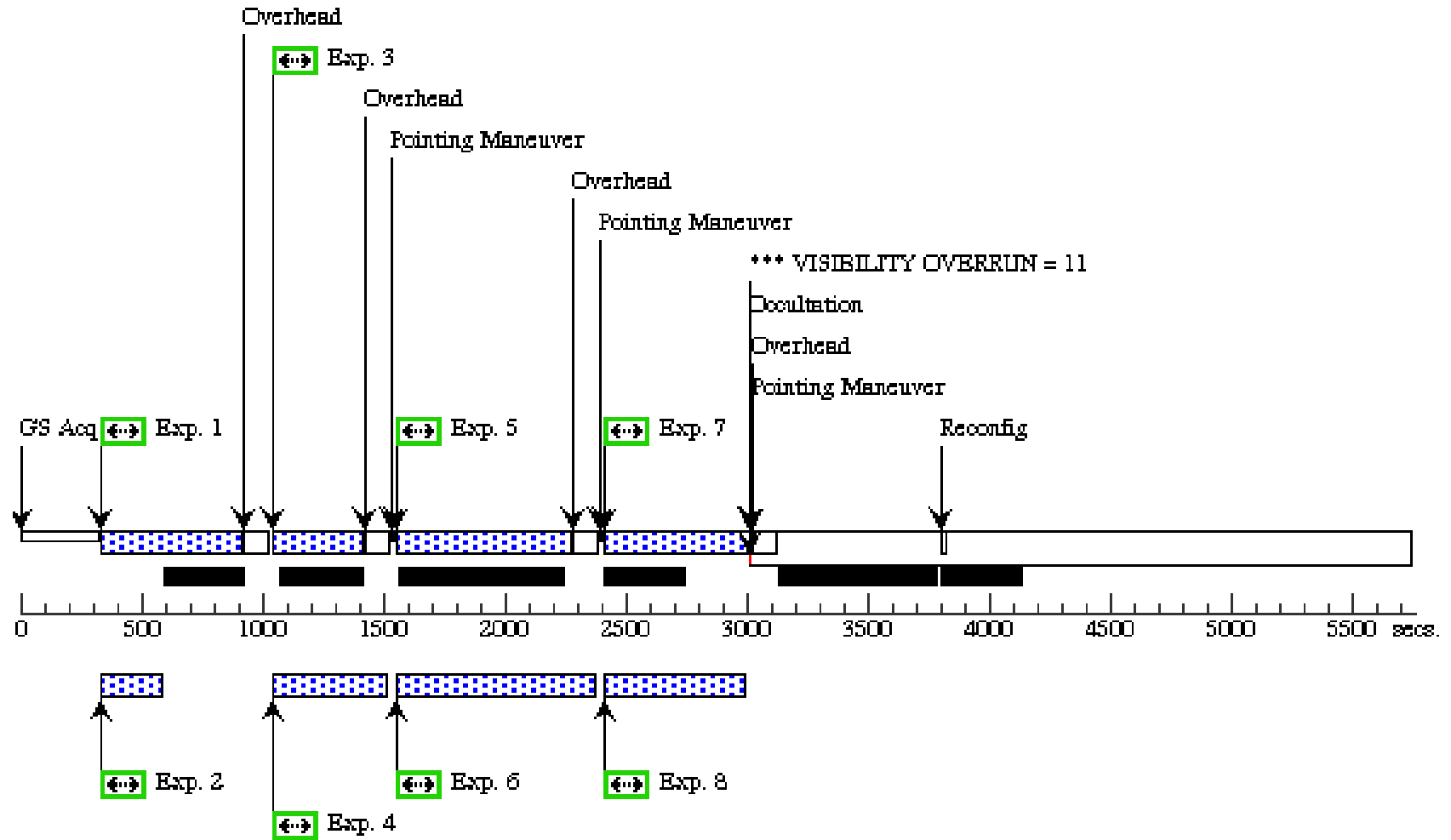
Proposal 12109 - Visit 18 - A Panchromatic Hubble Andromeda Treasury - I

| #         | Label | Target                       | Config,Mode,Aperture  | Spectral Els.                 | Opt. Params. | Special Reqs.                 | Groups                | Exp. Time/[Actual Dur.]                  | Orbit             |     |
|-----------|-------|------------------------------|-----------------------|-------------------------------|--------------|-------------------------------|-----------------------|--|-------------------|-----|
| Exposures | 1     | M31-B03-F18-UVIS-F3 36W      | (53) M31-B03-F18-UVIS | WFC3/UVIS, ACCUM, UVIS-CENTER | F336W        | CR-SPLIT=NO                   | POS TARG 1.655,2.96   | Prime + Parallel Group 1-2 in Visit 18   | 550 Secs<br>[==>] | [1] |
|           | 2     | M31-B03-F15-WFC-F8 14W-short | (54) M31-B03-F15-WFC  | ACS/WFC, ACCUM, WFC           | F814W        |                               |                       | Prime + Parallel Group 1-2 in Visit 18   | 15 Secs<br>[==>]  | [1] |
|           | 3     | M31-B03-F18-UVIS-F2 75W      | (53) M31-B03-F18-UVIS | WFC3/UVIS, ACCUM, UVIS-CENTER | F275W        | CR-SPLIT=NO                   | POS TARG 1.655,2.96   | Prime + Parallel Group 3-4 in Visit 18   | 350 Secs<br>[==>] | [1] |
|           | 4     | M31-B03-F15-WFC-F8 14W       | (54) M31-B03-F15-WFC  | ACS/WFC, ACCUM, WFC           | F814W        |                               |                       | Prime + Parallel Group 3-4 in Visit 18   | 350 Secs<br>[==>] | [1] |
|           | 5     | M31-B03-F18-UVIS-F3 36W      | (53) M31-B03-F18-UVIS | WFC3/UVIS, ACCUM, UVIS-CENTER | F336W        | CR-SPLIT=NO                   | POS TARG 1.634,4.882  | Prime + Parallel Group 5-6 in Visit 18   | 700 Secs<br>[==>] | [1] |
|           | 6     | M31-B03-F15-WFC-F8 14W       | (54) M31-B03-F15-WFC  | ACS/WFC, ACCUM, WFC           | F814W        |                               |                       | Prime + Parallel Group 5-6 in Visit 18   | 700 Secs<br>[==>] | [1] |
|           | 7     | M31-B03-F18-UVIS-F2 75W      | (53) M31-B03-F18-UVIS | WFC3/UVIS, ACCUM, UVIS-CENTER | F275W        | CR-SPLIT=NO                   | POS TARG 1.525,4.882  | Prime + Parallel Group 7-8 in Visit 18   | 575 Secs<br>[==>] | [1] |
|           | 8     | M31-B03-F15-WFC-F8 14W       | (54) M31-B03-F15-WFC  | ACS/WFC, ACCUM, WFC           | F814W        |                               |                       | Prime + Parallel Group 7-8 in Visit 18   | 455 Secs<br>[==>] | [1] |
|           | 9     | M31-B03-F18-IR-f160w         | (52) M31-B03-F18-IR   | WFC3/IR, MULTIACCUM, IR-FIX   | F160W        | NSAMP=9;<br>SAMP-SEQ=STEP200  | POS TARG 0,0          | Prime + Parallel Group 9-10 in Visit 18  | [==>]             | [2] |
|           | 10    | M31-B03-F15-WFC-F4 75W-short | (54) M31-B03-F15-WFC  | ACS/WFC, ACCUM, WFC           | F475W        |                               |                       | Prime + Parallel Group 9-10 in Visit 18  | 10 Secs<br>[==>]  | [2] |
|           | 11    | M31-B03-F18-IR-f110w         | (52) M31-B03-F18-IR   | WFC3/IR, MULTIACCUM, IR-FIX   | F110W        | NSAMP=13;<br>SAMP-SEQ=STEP100 | POS TARG 0.187,0.086  | Prime + Parallel Group 11-12 in Visit 18 | [==>]             | [2] |
|           | 12    | M31-B03-F15-WFC-F4 75W       | (54) M31-B03-F15-WFC  | ACS/WFC, ACCUM, WFC           | F475W        |                               |                       | Prime + Parallel Group 11-12 in Visit 18 | 600 Secs<br>[==>] | [2] |
|           | 13    | M31-B03-F18-IR-f160w         | (52) M31-B03-F18-IR   | WFC3/IR, MULTIACCUM, IR-FIX   | F160W        | NSAMP=9;<br>SAMP-SEQ=STEP200  | POS TARG 0.206,0.171  | Prime + Parallel Group 13-14 in Visit 18 | [==>]             | [2] |
|           | 14    | M31-B03-F15-WFC-F4 75W       | (54) M31-B03-F15-WFC  | ACS/WFC, ACCUM, WFC           | F475W        |                               |                       | Prime + Parallel Group 13-14 in Visit 18 | 370 Secs<br>[==>] | [2] |
|           | 15    | M31-B03-F18-IR-f160w         | (52) M31-B03-F18-IR   | WFC3/IR, MULTIACCUM, IR-FIX   | F160W        | NSAMP=9;<br>SAMP-SEQ=STEP200  | POS TARG 0.263,0.188  | Prime + Parallel Group 15-16 in Visit 18 | [==>]             | [2] |
|           | 16    | M31-B03-F15-WFC-F4 75W       | (54) M31-B03-F15-WFC  | ACS/WFC, ACCUM, WFC           | F475W        |                               |                       | Prime + Parallel Group 15-16 in Visit 18 | 370 Secs<br>[==>] | [2] |
|           | 17    | M31-B03-F18-IR-f160w         | (52) M31-B03-F18-IR   | WFC3/IR, MULTIACCUM, IR-FIX   | F160W        | NSAMP=9;<br>SAMP-SEQ=STEP200  | POS TARG 0.204,-0.001 | Prime + Parallel Group 17-18 in Visit 18 | [==>]             | [2] |
|           | 18    | M31-B03-F15-WFC-F4 75W       | (54) M31-B03-F15-WFC  | ACS/WFC, ACCUM, WFC           | F475W        |                               |                       | Prime + Parallel Group 17-18 in Visit 18 | 370 Secs<br>[==>] | [2] |

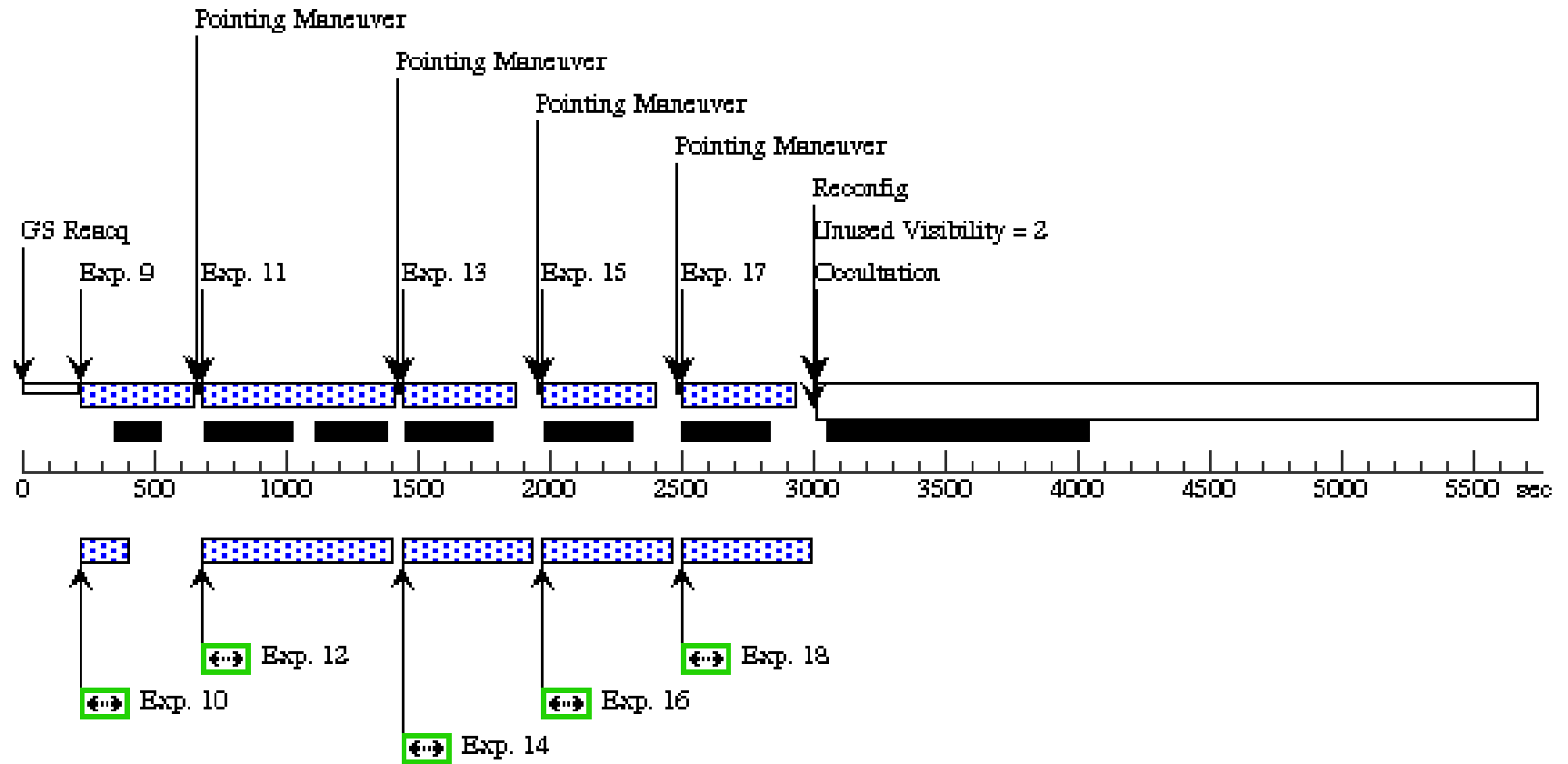
Orbit 1

Server Version: 20121031

Orbit Structure



Orbit 2



Proposal 12109 - Visit 19 - A Panchromatic Hubble Andromeda Treasury - I

Sat Jan 26 02:10:30 GMT 2013

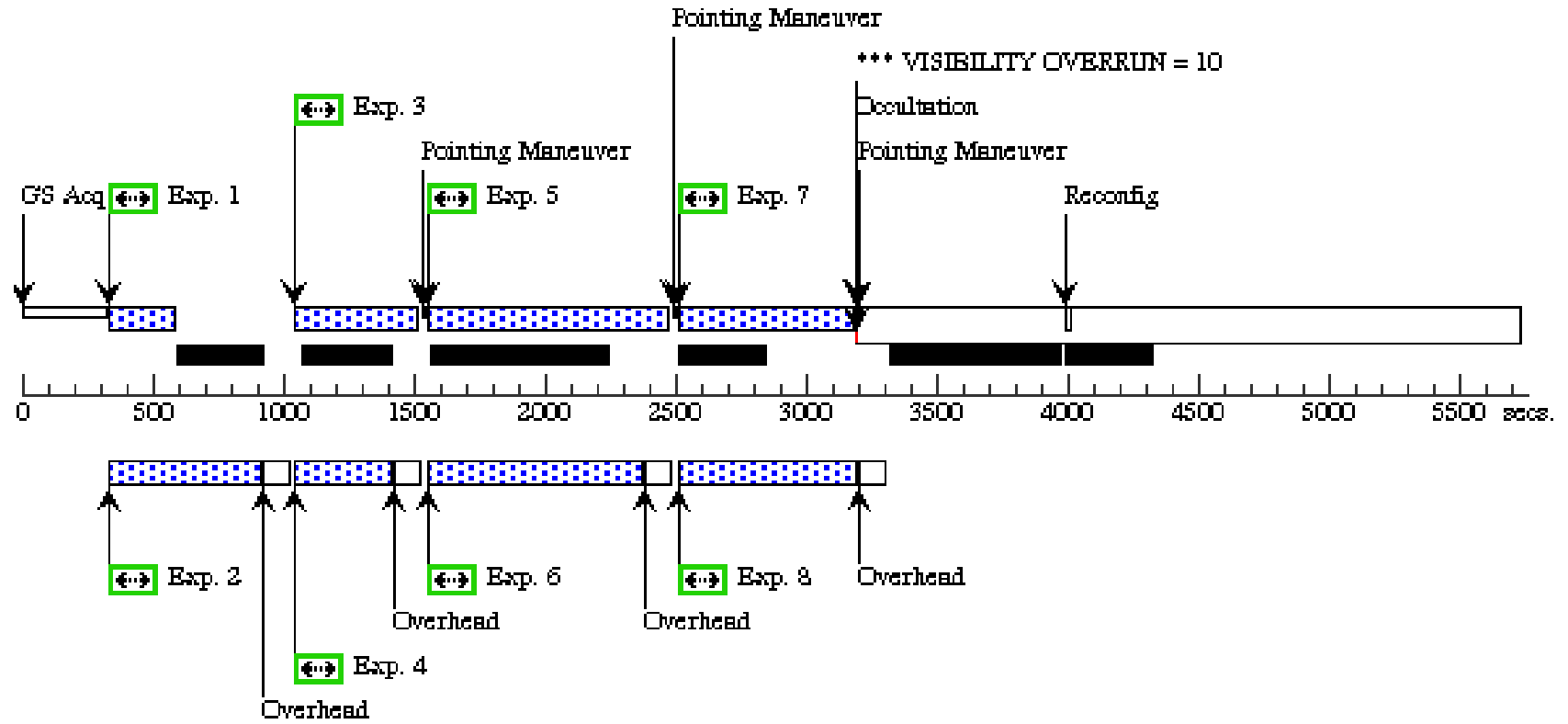
|                      |  |                 |  |                                 |               |                       |
|----------------------|--|-----------------|--|---------------------------------|---------------|-----------------------|
| <b>Visit</b>         | <b>Proposal 12109, Visit 19, implementation</b><br><b>Diagnostic Status: Warning</b><br>Scientific Instruments: WFC3/IR, WFC3/UVIS, ACS/WFC<br>Special Requirements: SCHED 60%; ORIENT 159D TO 159 D   |                 |  |                                 |               |                       |
|                      | (Visit 19) Warning (Orbit Planner): PARALLELS SIGNIFICANTLY EXTEND ALIGNMENT TIME<br>(Visit 19) Warning (Orbit Planner): PARALLELS SIGNIFICANTLY EXTEND ALIGNMENT TIME<br>(Visit 19) Warning (Orbit Planner): VISIBILITY OVERRUN<br>(Visit 19) Warning (Form): The proposal is part of a large program (100 orbits or more in one cycle) and so should use Schedulability 100. |                 |  |                                 |               |                       |
| <b>Fixed Targets</b> | <b>#</b>   | <b>Name</b>     | <b>Target Coordinates</b>  | <b>Targ. Coord. Corrections</b> | <b>Fluxes</b> | <b>Miscellaneous</b>  |
|                      | (27)   | M31-B03-F12-WFC | RA: 00 42 47.3777 (10.6974071d)<br>Dec: +41 23 14.45 (41.38735d)<br>Equinox: J2000 |                                 | V=20+/-0.1    | Reference Frame: ICRS |

Proposal 12109 - Visit 19 - A Panchromatic Hubble Andromeda Treasury - I

| Exposures | #            | Label                        | Target                      | Config,Mode,Aperture          | Spectral Els. | Opt. Params.                  | Special Reqs.                 | Groups                                   | Exp. Time/[Actual Dur.]                  | Orbit             |     |
|-----------|--------------|------------------------------|-----------------------------|-------------------------------|---------------|-------------------------------|-------------------------------|--|--|-------------------|-----|
|           | 1            | M31-B03-F12-WFC-F8-14W-short | (27) M31-B03-F12-WFC        | ACS/WFC, ACCUM, WFCENTER      | F814W         |                               |                               | POS TARG 0,null                          | Prime + Parallel Group 1-2 in Visit 19   | 15 Secs<br>[==>]  | [1] |
|           | 2            | ANY-F336W                    | ANY                         | WFC3/UVIS, ACCUM, UVIS-CENTER | F336W         |                               | CR-SPLIT=NO                   |  | Prime + Parallel Group 1-2 in Visit 19   | 550 Secs<br>[==>] | [1] |
|           | 3            | M31-B03-F12-WFC-F8-14W       | (27) M31-B03-F12-WFC        | ACS/WFC, ACCUM, WFCENTER      | F814W         |                               |                               | POS TARG 0,null                          | Prime + Parallel Group 3-4 in Visit 19   | 350 Secs<br>[==>] | [1] |
|           | 4            | ANY-F275W                    | ANY                         | WFC3/UVIS, ACCUM, UVIS-CENTER | F275W         |                               | CR-SPLIT=NO                   |  | Prime + Parallel Group 3-4 in Visit 19   | 350 Secs<br>[==>] | [1] |
|           | 5            | M31-B03-F12-WFC-F8-14W       | (27) M31-B03-F12-WFC        | ACS/WFC, ACCUM, WFCENTER      | F814W         |                               |                               | POS TARG 1.374,-1.344                    | Prime + Parallel Group 5-6 in Visit 19   | 800 Secs<br>[==>] | [1] |
|           | 6            | ANY-F336W                    | ANY                         | WFC3/UVIS, ACCUM, UVIS-CENTER | F336W         |                               | CR-SPLIT=NO                   |  | Prime + Parallel Group 5-6 in Visit 19   | 800 Secs<br>[==>] | [1] |
|           | 7            | M31-B03-F12-WFC-F8-14W       | (27) M31-B03-F12-WFC        | ACS/WFC, ACCUM, WFCENTER      | F814W         |                               |                               | POS TARG 1.451,-1.267                    | Prime + Parallel Group 7-8 in Visit 19   | 550 Secs<br>[==>] | [1] |
|           | 8            | ANY-UVIS-F275W               | ANY                         | WFC3/UVIS, ACCUM, UVIS-CENTER | F275W         |                               | CR-SPLIT=NO                   |  | Prime + Parallel Group 7-8 in Visit 19   | 660 Secs<br>[==>] | [1] |
|           | 9            | M31-B03-F12-WFC-F4-75W-short | (27) M31-B03-F12-WFC        | ACS/WFC, ACCUM, WFCENTER      | F475W         |                               |                               | POS TARG 0,null                          | Prime + Parallel Group 9-10 in Visit 19  | 10 Secs<br>[==>]  | [2] |
|           | 10           | ANY-IR-f160w                 | ANY                         | WFC3/IR, MULTIACCUM, IR-FIX   | F160W         |                               | NSAMP=9;<br>SAMP-SEQ=STEP200  |  | Prime + Parallel Group 9-10 in Visit 19  | [==>]             | [2] |
|           | 11           | M31-B03-F12-WFC-F4-75W       | (27) M31-B03-F12-WFC        | ACS/WFC, ACCUM, WFCENTER      | F475W         |                               |                               | POS TARG -0.072,-0.193                   | Prime + Parallel Group 11-12 in Visit 19 | 700 Secs<br>[==>] | [2] |
|           | 12           | ANY-IR-f110w                 | ANY                         | WFC3/IR, MULTIACCUM, IR-FIX   | F110W         |                               | NSAMP=11;<br>SAMP-SEQ=STEP200 |  | Prime + Parallel Group 11-12 in Visit 19 | [==>]             | [2] |
|           | 13           | M31-B03-F12-WFC-F4-75W       | (27) M31-B03-F12-WFC        | ACS/WFC, ACCUM, WFCENTER      | F475W         |                               |                               | POS TARG -0.025,-0.267                   | Prime + Parallel Group 13-14 in Visit 19 | 360 Secs<br>[==>] | [2] |
|           | 14           | ANY-IR-f160w                 | ANY                         | WFC3/IR, MULTIACCUM, IR-FIX   | F160W         |                               | NSAMP=9;<br>SAMP-SEQ=STEP200  |  | Prime + Parallel Group 13-14 in Visit 19 | [==>]             | [2] |
|           | 15           | M31-B03-F12-WFC-F4-75W       | (27) M31-B03-F12-WFC        | ACS/WFC, ACCUM, WFCENTER      | F475W         |                               |                               | POS TARG -0.053,-0.319                   | Prime + Parallel Group 15-16 in Visit 19 | 360 Secs<br>[==>] | [2] |
|           | 16           | ANY-IR-f160w                 | ANY                         | WFC3/IR, MULTIACCUM, IR-FIX   | F160W         |                               | NSAMP=9;<br>SAMP-SEQ=STEP200  |  | Prime + Parallel Group 15-16 in Visit 19 | [==>]             | [2] |
|           | 17           | M31-B03-F12-WFC-F4-75W       | (27) M31-B03-F12-WFC        | ACS/WFC, ACCUM, WFCENTER      | F475W         |                               |                               | POS TARG -0.145,-0.143                   | Prime + Parallel Group 17-18 in Visit 19 | 470 Secs<br>[==>] | [2] |
| 18        | ANY-IR-f160w | ANY                          | WFC3/IR, MULTIACCUM, IR-FIX | F160W                         |               | NSAMP=11;<br>SAMP-SEQ=STEP100 |                               | Prime + Parallel Group 17-18 in Visit 19 | [==>]                                    | [2]               |     |

**Orbit 1**

Server Version: 20121031



Orbit Structure

Orbit 2

Server Version: 20121031

