



12269 - The escape of Ly α photons in star-forming galaxies

Cycle: 18, Proposal Category: GO

(Availability Mode: SUPPORTED)

INVESTIGATORS

<i>Name</i>	<i>Institution</i>	<i>E-Mail</i>
Dr. Claudia Scarlata (PI)	California Institute of Technology	scarlata@ipac.caltech.edu
Dr. Lennox L. Cowie (CoI)	University of Hawaii	cowie@ifa.hawaii.edu
Dr. Amy J. Barger (CoI)	University of Wisconsin - Madison	barger@xanadu.ifa.hawaii.edu
Dr. Matthew Hayes (CoI) (ESA Member)	Observatoire de Geneve	matthew.hayes@unige.ch
Dr. Harry Teplitz (CoI)	California Institute of Technology	hit@ipac.caltech.edu
Dr. Esther M. Hu (CoI)	University of Hawaii	hu@ifa.hawaii.edu
Dr. Steven L. Finkelstein (CoI)	Texas A & M Research Foundation	stevenf@physics.tamu.edu
Dr. James Rhoads (CoI)	Arizona State University	james.rhoads@asu.edu
Dr. Sangeeta Malhotra (CoI)	Arizona State University	Sangeeta.Malhotra@asu.edu
Dr. James Colbert (CoI)	California Institute of Technology	colbert@ipac.caltech.edu
Dr. Daniel Kunth (CoI) (ESA Member)	CNRS, Institut d'Astrophysique de Paris	kunth@iap.fr
Prof. Daniel Schaerer (CoI) (ESA Member)	Observatoire de Geneve	daniel.schaerer@obs.unige.ch
Dr. Jean-Michel Deharveng (CoI) (ESA Member)	Laboratoire d'Astronomie Spatiale	jmd@oamp.fr
Ms. Sandra Behncke (CoI)	California Institute of Technology	behncke@ipac.caltech.edu
Dr. Yuko Kakazu (CoI)	California Institute of Technology	kakazu@astro.caltech.edu
Dr. Hakim Atek (CoI)	California Institute of Technology	atek@ipac.caltech.edu
Prof. Nino Panagia (CoI)	Space Telescope Science Institute	panagia@stsci.edu

VISITS

Proposal 12269 (STScI Edit Number: 0, Created: Tuesday, September 28, 2010 8:18:05 PM EST) - Overview

<i>Visit</i>	<i>Targets used in Visit</i>	<i>Configurations used in Visit</i>	<i>Orbits Used</i>	<i>Last Orbit Planner Run</i>	<i>OP Current with Visit?</i>
01	(1) GALEX1417+5228 ANY	COS/FUV COS/NUV WFC3/UVIS	1	28-Sep-2010 21:15:41.0	yes
02	(2) GALEX0331-2814 (27) GALEX0331-2814-OFFSET ANY	COS/FUV COS/NUV WFC3/UVIS	1	28-Sep-2010 21:15:49.0	yes
03	(4) GALEX1418+5307 ANY	COS/FUV COS/NUV WFC3/UVIS	1	28-Sep-2010 21:15:55.0	yes
04	(3) GALEX0332-2801 ANY	COS/FUV COS/NUV WFC3/UVIS	1	28-Sep-2010 21:16:02.0	yes
05	(5) GALEX1420+5243 (29) GALEX1420+5243-OFFSET ANY	COS/FUV COS/NUV WFC3/UVIS	1	28-Sep-2010 21:16:08.0	yes
06	(7) GALEX1436+3459 (30) GALEX1436+3459-OFFSET ANY	COS/FUV COS/NUV WFC3/UVIS	1	28-Sep-2010 21:16:14.0	yes
07	(8) GALEX1418+5259 (31) GALEX1418+5259-OFFSET ANY	COS/FUV COS/NUV WFC3/UVIS	1	28-Sep-2010 21:16:20.0	yes
08	(6) GALEX0332-2811A (32) GALEX0332-2811A-OFFSET ANY	COS/FUV COS/NUV WFC3/UVIS	1	28-Sep-2010 21:16:26.0	yes
09	(10) GALEX1437+3445 (33) GALEX1437+3445-OFFSET ANY	COS/FUV COS/NUV WFC3/UVIS	1	28-Sep-2010 21:16:32.0	yes

Proposal 12269 (STScI Edit Number: 0, Created: Tuesday, September 28, 2010 8:18:05 PM EST) - Overview

<i>Visit</i>	<i>Targets used in Visit</i>	<i>Configurations used in Visit</i>	<i>Orbits Used</i>	<i>Last Orbit Planner Run</i>	<i>OP Current with Visit?</i>
10	(11) GALEX1001+0233 (34) GALEX1001+0233-OFFSET ANY	COS/FUV COS/NUV WFC3/UVIS	1	28-Sep-2010 21:16:39.0	yes
11	(12) GALEX1418+5217 (35) GALEX1418+5217-OFFSET ANY	COS/FUV COS/NUV WFC3/UVIS	1	28-Sep-2010 21:16:44.0	yes
12	(13) GALEX1417+5305 (36) GALEX1417+5305-OFFSET ANY	COS/FUV COS/NUV WFC3/UVIS	1	28-Sep-2010 21:16:50.0	yes
13	(14) GALEX1436+3456 (37) GALEX1436+3456-OFFSET ANY	COS/FUV COS/NUV WFC3/UVIS	1	28-Sep-2010 21:16:55.0	yes
14	(15) GALEX0959+0149 (38) GALEX0959+0149-OFFSET ANY	COS/FUV COS/NUV WFC3/UVIS	1	28-Sep-2010 21:17:00.0	yes
15	(16) GALEX0331-2811 (39) GALEX0331-2811-OFFSET ANY	COS/FUV COS/NUV WFC3/UVIS	1	28-Sep-2010 21:17:07.0	yes
16	(17) GALEX0959+0151 (40) GALEX0959+0151-OFFSET ANY	COS/FUV COS/NUV WFC3/UVIS	1	28-Sep-2010 21:17:12.0	yes
17	(18) GALEX0330-2816 (41) GALEX0330-2816-OFFSET ANY	COS/FUV COS/NUV WFC3/UVIS	1	28-Sep-2010 21:17:17.0	yes
18	(19) GALEX1420+5247 (42) GALEX1420+5247-OFFSET ANY	COS/FUV COS/NUV WFC3/UVIS	1	28-Sep-2010 21:17:22.0	yes

<i>Visit</i>	<i>Targets used in Visit</i>	<i>Configurations used in Visit</i>	<i>Orbits Used</i>	<i>Last Orbit Planner Run</i>	<i>OP Current with Visit?</i>
19	(20) GALEX1717+5944 (43) GALEX1717+5944-OFFSET ANY	COS/FUV COS/NUV WFC3/UVIS	1	28-Sep-2010 21:17:28.0	yes
20	(22) GALEX0333-2821 (44) GALEX0333-2821-OFFSET ANY	COS/FUV COS/NUV WFC3/UVIS	1	28-Sep-2010 21:17:33.0	yes
21	(23) GALEX1419+5315 (45) GALEX1419+5315-OFFSET ANY	COS/FUV COS/NUV WFC3/UVIS	1	28-Sep-2010 21:17:39.0	yes
22	(24) GALEX1418+5218 (46) GALEX1418+5218-OFFSET ANY	COS/FUV COS/NUV WFC3/UVIS	1	28-Sep-2010 21:17:45.0	yes
23	(25) GALEX1434+3532 (26) GALEX1434+3532-OFFSET ANY	COS/FUV COS/NUV WFC3/UVIS	1	28-Sep-2010 21:17:50.0	yes
24	(47) GALEX1000+0157-OFFSET (48) GALEX1000+0157 ANY	COS/FUV COS/NUV WFC3/UVIS	1	28-Sep-2010 21:17:55.0	yes
25	(49) GALEX1423+5246-OFFSET (50) GALEX1423+5246 ANY	COS/FUV COS/NUV WFC3/UVIS	1	28-Sep-2010 21:18:00.0	yes

25 Total Orbits Used

ABSTRACT

Our knowledge of the very high redshift Universe heavily depends upon the observation of the Lyman-alpha (Lya) emission line for both spectroscopic confirmation and often the actual discovery of galaxies at very high redshifts. However, no comprehensive study of the astrophysics behind the Lya production, transport, and escape fraction has so far been made, since the required supplementary observations are redshifted to inaccessible wavelengths for cosmological populations. At $z \sim 0$, such studies can be undertaken, but the number of known Lya emitting galaxies is extremely small and observationally biased.

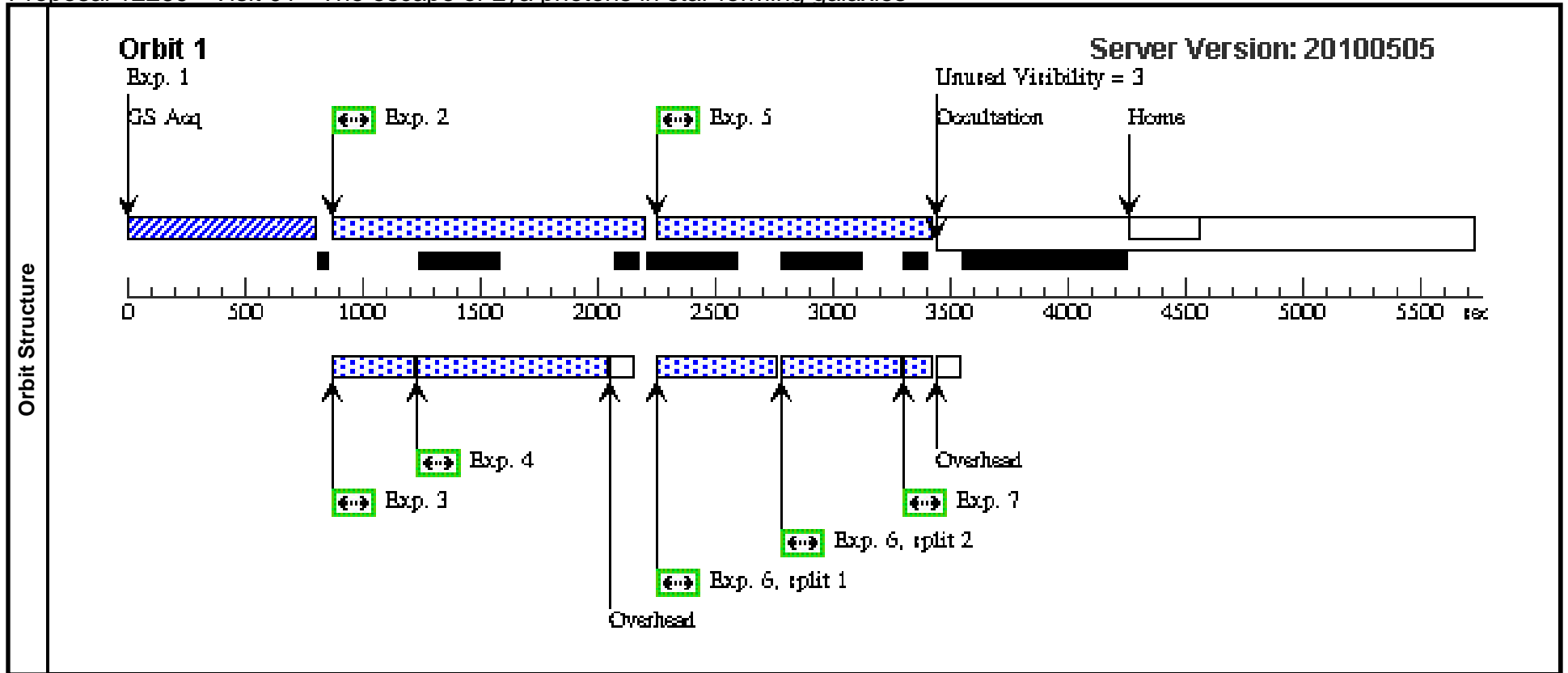
With the aim of characterizing the physics of Ly α escape from galaxies, our group has undertaken a major effort to followup a new well-defined sample of GALEX-selected $z \sim 0.3$ Ly α emitters. Here, we propose to obtain FUV COS-G160M spectroscopy of 25 GALEX star-forming Ly α emitters for which we have already measured gas metallicity, nebular extinction, escape fraction of Ly α photons, and stellar masses. The COS spectra will provide the shape of the Ly α profile, a fundamental diagnostic of the physical conditions of the ISM, since it encodes crucial information about the kinematics, column density, and dust content of the neutral gas. By investigating the physical mechanisms driving the Ly α output in a well-defined sample of low- z Ly α emitters, the proposed study will provide us with the necessary knowledge to interpret the observations in the more distant universe.

OBSERVING DESCRIPTION

Each target will be observed with COS/FUV/PSA and the G160M grism using TIME-TAG mode. To get two wavelength dithers, two exposures are taken for each target with FP-POS=3 and FP-POS=4, respectively. We set FLASH=yes for better wavelength calibration.

The acquisition is performed on a star nearby the primary target, using the NUV imaging mode, and ACQ/IMAGE. For the acquisition we use either with Mirror A or Mirror B depending on the target NUV magnitude. For BUFFER-TIME we used the shorter value of $2/3$ times the buffer time returned by the ETC and the exposure time minus 100 (was always the exposure time).

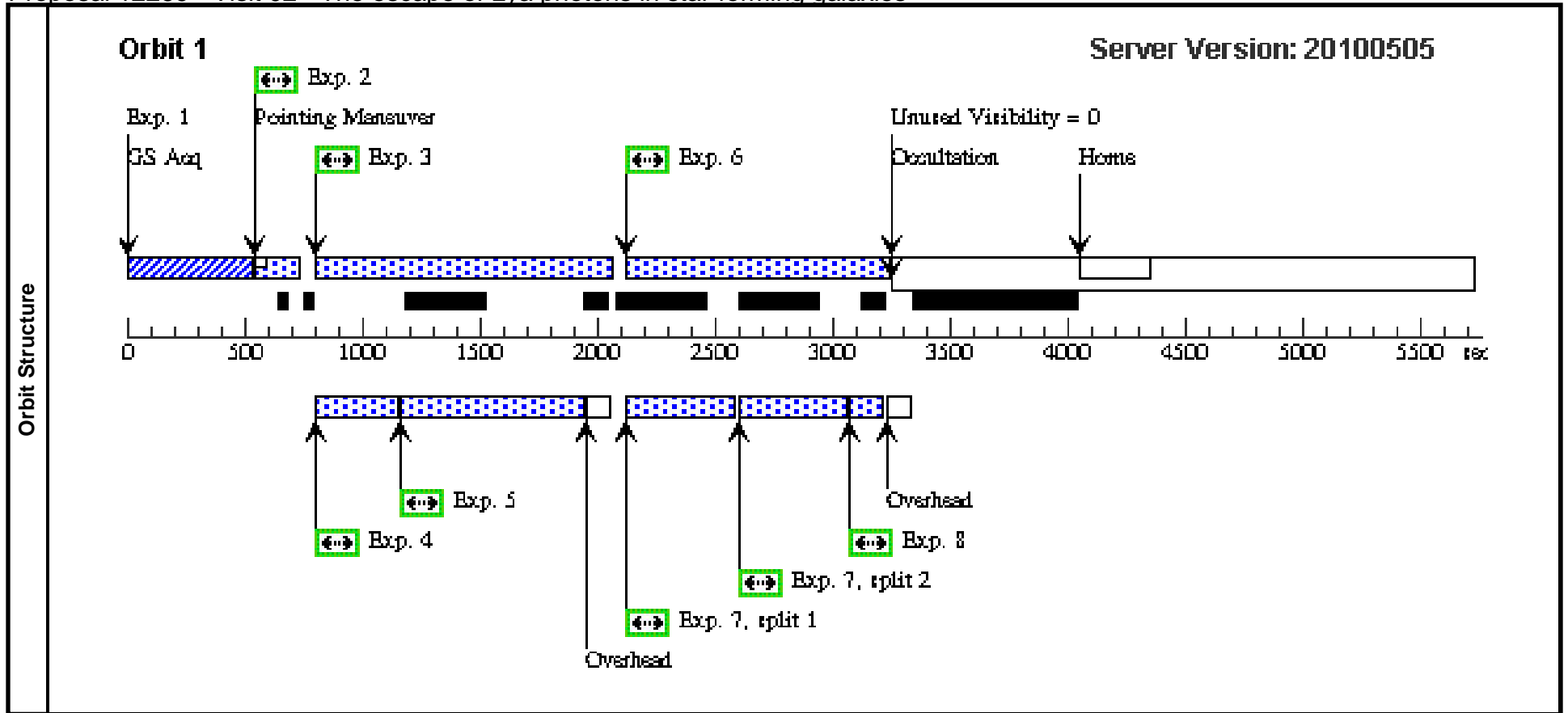
Visit	Proposal 12269, Visit 01, implementation Diagnostic Status: No Diagnostics Scientific Instruments: COS/NUV, COS/FUV, WFC3/UVIS Special Requirements: (none)									
	Fixed Targets	#	Name	Target Coordinates	Targ. Coord. Corrections	Fluxes	Miscellaneous			
	(1)	GALEX1417+5228	RA: 14 17 43.4256 (214.4309400d) Dec: +52 28 5.84 (52.46829d) Equinox: J2000		V=21.7+/-0.200	Reference Frame: ICRS				
Exposures	#	Label	Target	Config,Mode,Aperture	Spectral Els.	Opt. Params.	Special Reqs.	Groups	Exp. Time/[Actual Dur.]	Orbit
	1	TA	(1) GALEX1417+5228	COS/NUV, ACQ/IMAGE, PSA	MIRRORA				200 Secs [==>]	[1]
	<i>Comments: Coordinates from HST image</i>									
	2	Science-1	(1) GALEX1417+5228	COS/FUV, TIME-TAG, PSA	G160M 1577 A	BUFFER-TIME=10 20; FLASH=YES; FP-POS=3; SEGMENT=BOTH		Prime + Parallel Group 2-4	1120 Secs [==>]	[1]
	3	direct imaging	ANY	WFC3/UVIS, ACCUM, G280-REF	F300X	CR-SPLIT=NO		Prime + Parallel Group 2-4	200 Secs [==>]	[1]
	4		ANY	WFC3/UVIS, ACCUM, UVIS	G280	CR-SPLIT=NO		Prime + Parallel Group 2-4	800 Secs [==>]	[1]
	5	Science-2	(1) GALEX1417+5228	COS/FUV, TIME-TAG, PSA	G160M 1577 A	BUFFER-TIME=10 20; FLASH=YES; FP-POS=4; SEGMENT=BOTH		Prime + Parallel Group 5-7	1120 Secs [==>]	[1]
	6		ANY	WFC3/UVIS, ACCUM, UVIS	G280	CR-SPLIT=2		Prime + Parallel Group 5-7	800 Secs [==>(Split 1)] [==>(Split 2)]	[1]
	7	direct imaging	ANY	WFC3/UVIS, ACCUM, G280-REF	F300X	CR-SPLIT=NO		Prime + Parallel Group 5-7	100 Secs [==>]	[1]



Proposal 12269 - Visit 01 - The escape of Ly α photons in star-forming galaxies

Wed Sep 29 01:18:07 GMT 2010

Visit		Proposal 12269, Visit 02, implementation Diagnostic Status: No Diagnostics Scientific Instruments: COS/NUV, COS/FUV, WFC3/UVIS Special Requirements: (none)								
Fixed Targets	#	Name	Target Coordinates	Targ. Coord. Corrections	Fluxes	Miscellaneous				
	(2)	GALEX0331-2814	Offset from GALEX0331-2814-OFFSET by RA Offset: 0.0281041105024684 Degrees Dec Offset: -71.15208000000592 Arcsec		V=21.490+/-0.200	Offset Position (GALEX0331-2814) Reference Frame: ICRS				
	(27)	GALEX0331-2814-OFFSET Alt Name1: S033232181	RA: 03 31 47.6053 (52.9483554d) Dec: -28 13 7.89 (-28.21886d) Equinox: J2000		V=14+/-0.200 NUV=17.24 (GALEX AB)	Reference Frame: ICRS				
Exposures	#	Label	Target	Config,Mode,Aperture	Spectral Els.	Opt. Params.	Special Reqs.	Groups	Exp. Time/[Actual Dur.]	Orbit
	1	TA	(27) GALEX0331-2814-OFFSET	COS/NUV, ACQ/IMAGE, PSA	MIRRORB				52 Secs [==>]	[1]
	2	science-1	(2) GALEX0331-2814	COS/NUV, ACCUM, PSA	MIRRORA				100 Secs [==>]	[1]
	3	science-2	(2) GALEX0331-2814	COS/FUV, TIME-TAG, PSA	G160M 1623 A	BUFFER-TIME=95 5; FLASH=YES; FP-POS=3; SEGMENT=BOTH		Prime + Parallel Group 3-5	1055 Secs [==>]	[1]
	4	direct imaging	ANY	WFC3/UVIS, ACCUM, G280-REF	F300X	CR-SPLIT=NO		Prime + Parallel Group 3-5	200 Secs [==>]	[1]
	5		ANY	WFC3/UVIS, ACCUM, UVIS	G280	CR-SPLIT=NO		Prime + Parallel Group 3-5	770 Secs [==>]	[1]
	6	science-3	(2) GALEX0331-2814	COS/FUV, TIME-TAG, PSA	G160M 1623 A	BUFFER-TIME=96 5; FLASH=YES; FP-POS=4; SEGMENT=BOTH		Prime + Parallel Group 6-8	1065 Secs [==>]	[1]
	7		ANY	WFC3/UVIS, ACCUM, UVIS	G280	CR-SPLIT=2		Prime + Parallel Group 6-8	700 Secs [==>(Split 1)] [==>(Split 2)]	[1]
	8	direct imaging	ANY	WFC3/UVIS, ACCUM, G280-REF	F300X	CR-SPLIT=NO		Prime + Parallel Group 6-8	120 Secs [==>]	[1]

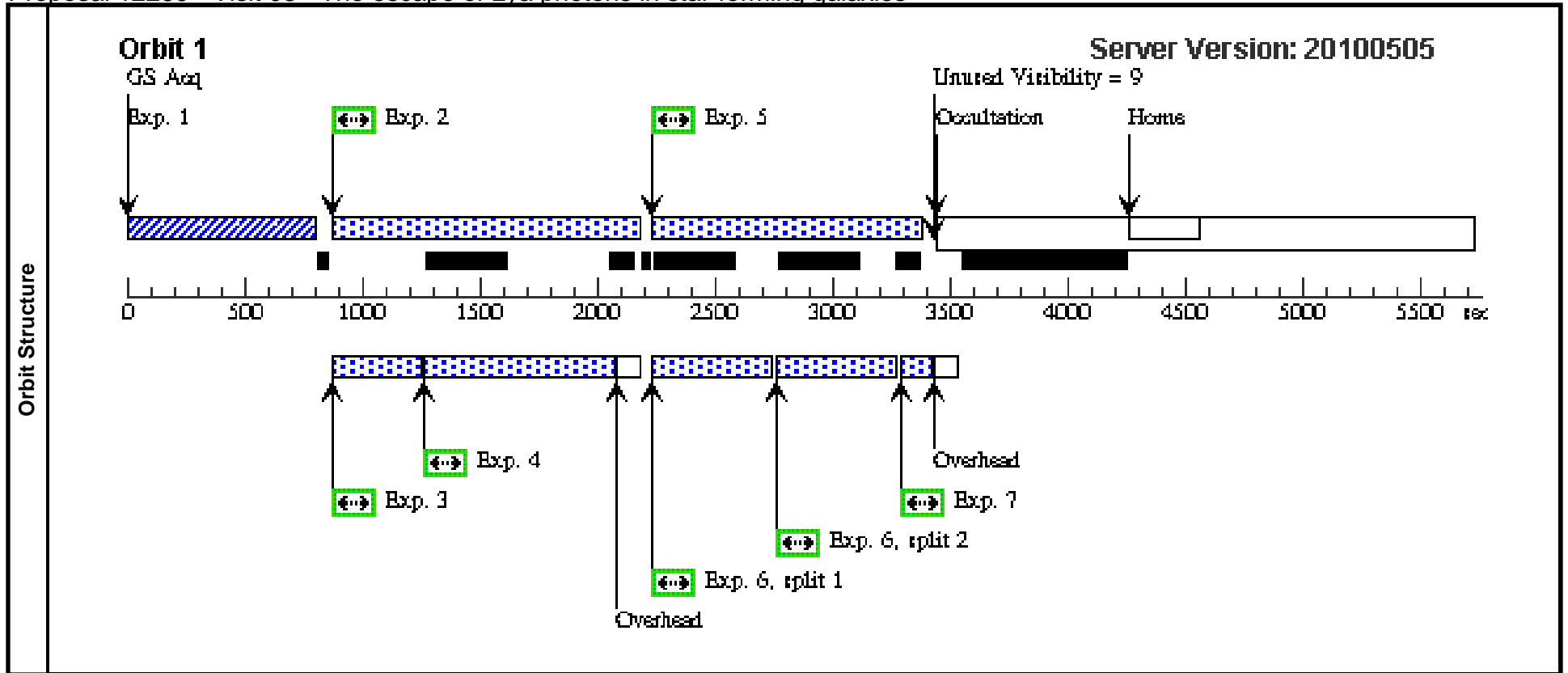


Proposal 12269 - Visit 02 - The escape of Ly α photons in star-forming galaxies

Wed Sep 29 01:18:09 GMT 2010

Fixed Targets	#	Name	Target Coordinates	Targ. Coord. Corrections	Fluxes	Miscellaneous
	(4)	GALEX1418+5307	RA: 14 18 54.8952 (214.7287300d) Dec: +53 07 47.52 (53.12987d) Equinox: J2000		V=21.6+/-0.1	Reference Frame: ICRS

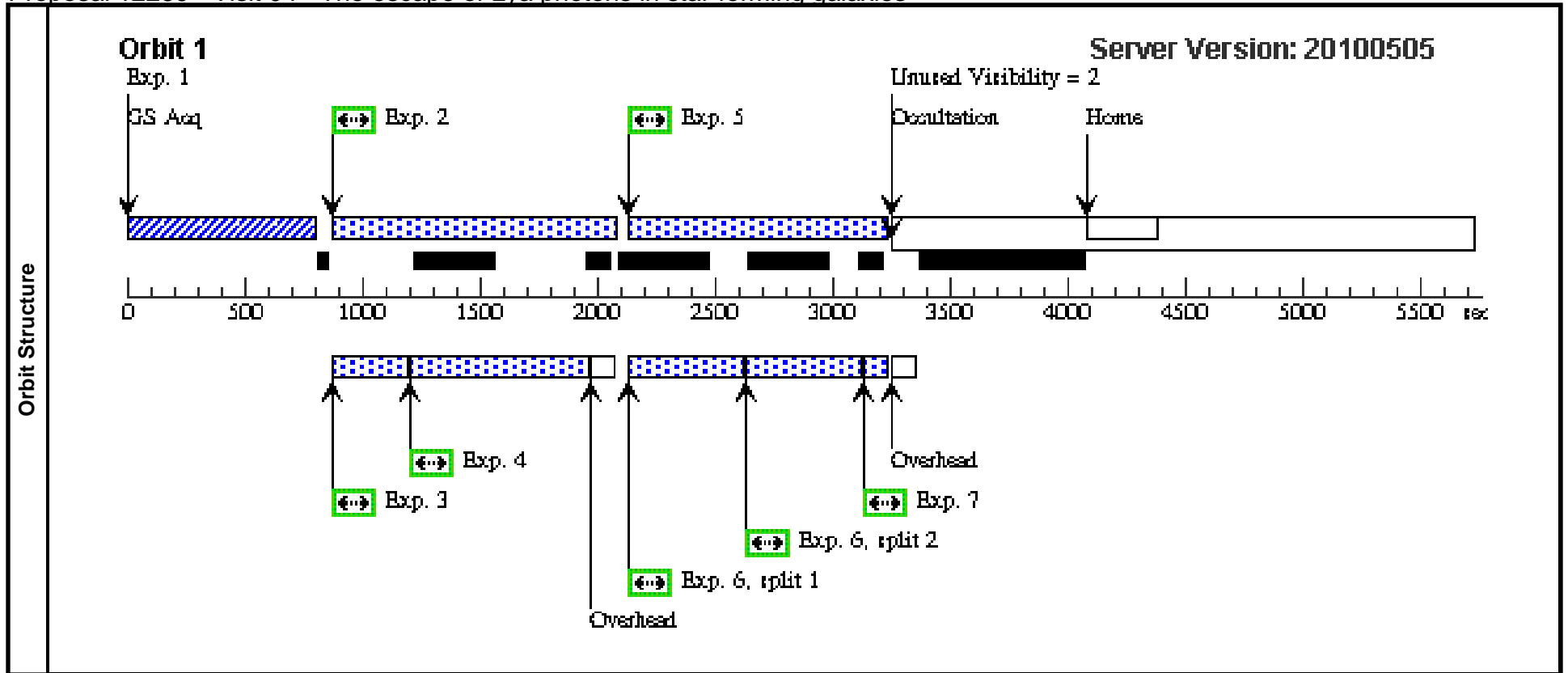
Exposures	#	Label	Target	Config,Mode,Aperture	Spectral Els.	Opt. Params.	Special Reqs.	Groups	Exp. Time/[Actual Dur.]	Orbit
	1	TA	(4) GALEX1418+5307	COS/NUV, ACQ/IMAGE, PSA	MIRRORA				200 Secs [==>]	[1]
	2	science	(4) GALEX1418+5307	COS/FUV, TIME-TAG, PSA	G160M 1577 A	BUFFER-TIME=1000; FLASH=YES; SEGMENT=BOTH; FP-POS=3		Prime + Parallel Group 2-4	1100 Secs [==>]	[1]
	3	direct imaging	ANY	WFC3/UVIS, ACCUM, G280-REF	F300X	CR-SPLIT=NO		Prime + Parallel Group 2-4	230 Secs [==>]	[1]
	4		ANY	WFC3/UVIS, ACCUM, UVIS	G280	CR-SPLIT=NO		Prime + Parallel Group 2-4	800 Secs [==>]	[1]
	5	science	(4) GALEX1418+5307	COS/FUV, TIME-TAG, PSA	G160M 1577 A	BUFFER-TIME=1000; FLASH=YES; SEGMENT=BOTH; FP-POS=4		Prime + Parallel Group 5-7	1100 Secs [==>]	[1]
	6		ANY	WFC3/UVIS, ACCUM, UVIS	G280	CR-SPLIT=2		Prime + Parallel Group 5-7	800 Secs [==>(Split 1)] [==>(Split 2)]	[1]
	7	direct imaging	ANY	WFC3/UVIS, ACCUM, G280-REF	F300X	CR-SPLIT=NO		Prime + Parallel Group 5-7	110 Secs [==>]	[1]



Proposal 12269 - Visit 03 - The escape of Ly α photons in star-forming galaxies

Wed Sep 29 01:18:09 GMT 2010

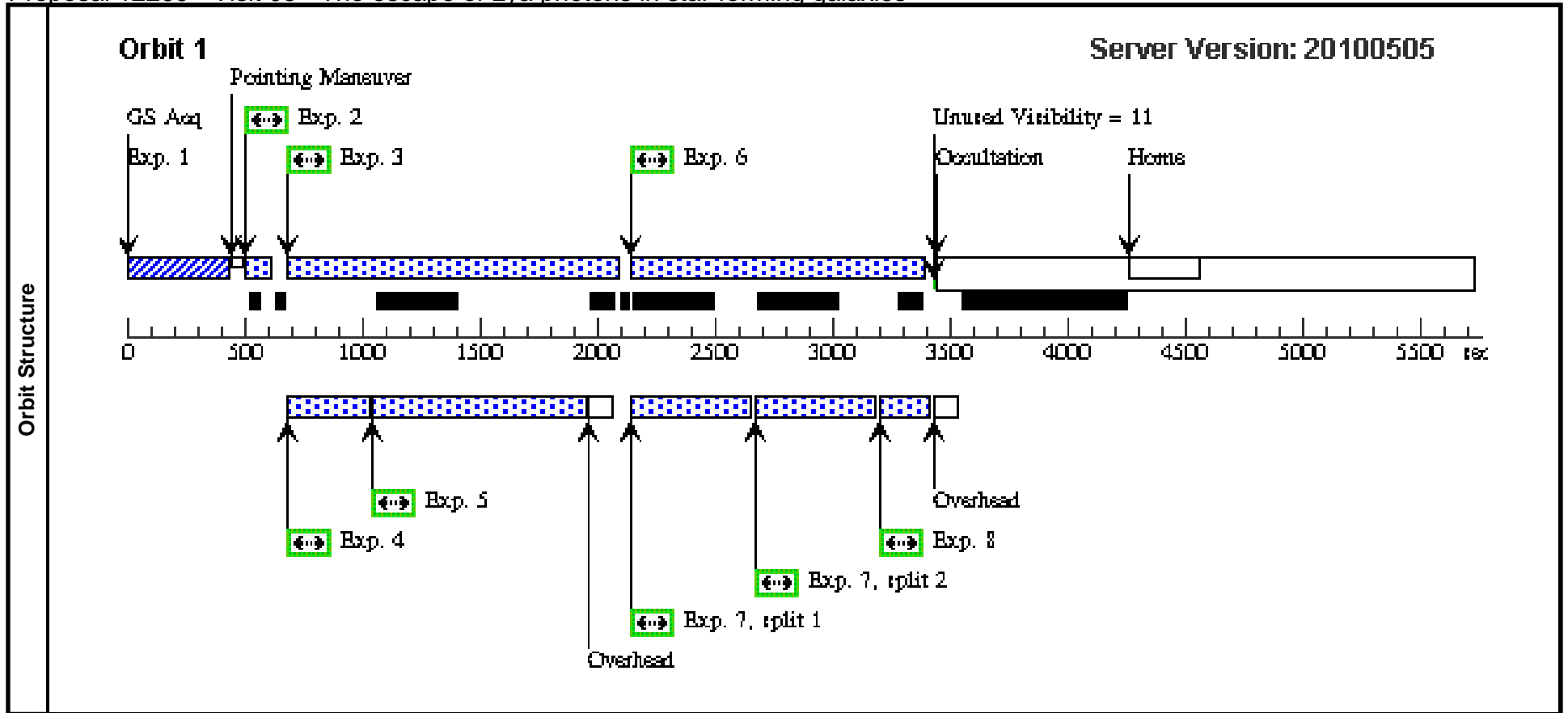
Visit	Proposal 12269, Visit 04, implementation Diagnostic Status: No Diagnostics Scientific Instruments: COS/NUV, COS/FUV, WFC3/UVIS Special Requirements: (none)									
	Fixed Targets	#	Name	Target Coordinates	Targ. Coord. Corrections	Fluxes	Miscellaneous			
	(3)	GALEX0332-2801	RA: 03 32 11.9369 (53.0497371d) Dec: -28 01 29.99 (-28.02500d) Equinox: J2000		V=21.510+/-0.200	Reference Frame: ICRS				
Exposures	#	Label	Target	Config,Mode,Aperture	Spectral Els.	Opt. Params.	Special Reqs.	Groups	Exp. Time/[Actual Dur.]	Orbit
	1	TA	(3) GALEX0332-2801	COS/NUV, ACQ/IMAGE, PSA	MIRRORA				200 Secs [==>]	[1]
	2	science-2	(3) GALEX0332-2801	COS/FUV, TIME-TAG, PSA	G160M 1623 A	BUFFER-TIME=900; FLASH=YES; FP-POS=3; SEGMENT=BOTH		Prime + Parallel Group 2-4	1000 Secs [==>]	[1]
	3	direct imaging	ANY	WFC3/UVIS, ACCUM, G280-REF	F300X	CR-SPLIT=NO		Prime + Parallel Group 2-4	170 Secs [==>]	[1]
	4		ANY	WFC3/UVIS, ACCUM, UVIS	G280	CR-SPLIT=NO		Prime + Parallel Group 2-4	750 Secs [==>]	[1]
	5	science-3	(3) GALEX0332-2801	COS/FUV, TIME-TAG, PSA	G160M 1623 A	BUFFER-TIME=950; FLASH=YES; FP-POS=4; SEGMENT=BOTH		Prime + Parallel Group 5-7	1050 Secs [==>]	[1]
	6		ANY	WFC3/UVIS, ACCUM, UVIS	G280	CR-SPLIT=2		Prime + Parallel Group 5-7	750 Secs [==>(Split 1)] [==>(Split 2)]	[1]
	7	direct imaging	ANY	WFC3/UVIS, ACCUM, G280-REF	F300X	CR-SPLIT=NO		Prime + Parallel Group 5-7	85 Secs [==>]	[1]



Proposal 12269 - Visit 04 - The escape of Lya photons in star-forming galaxies

Wed Sep 29 01:18:10 GMT 2010

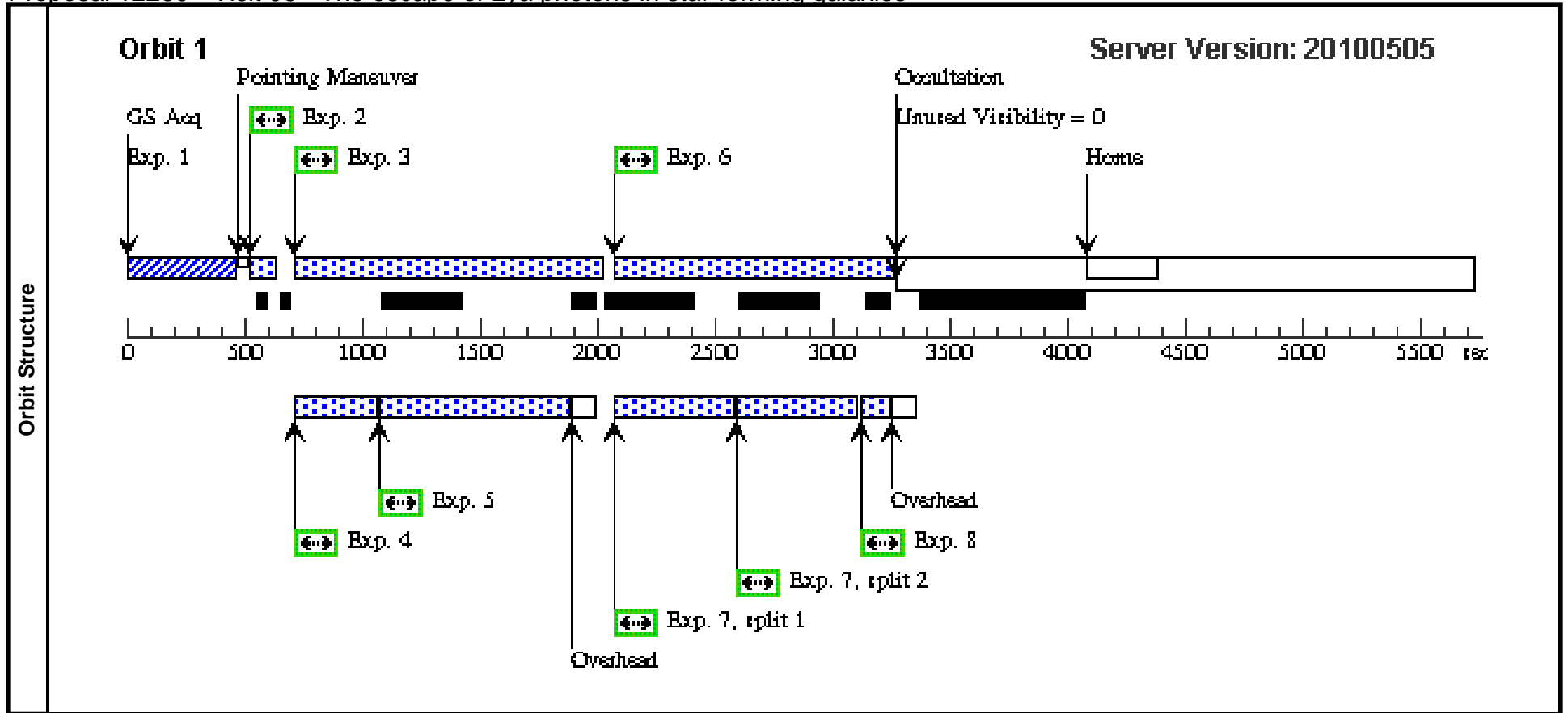
Visit	Proposal 12269, Visit 05, implementation Diagnostic Status: No Diagnostics Scientific Instruments: COS/NUV, COS/FUV, WFC3/UVIS Special Requirements: (none)									
	Fixed Targets	#	Name	Target Coordinates	Targ. Coord. Corrections	Fluxes	Miscellaneous			
	(5)	GALEX1420+5243	Offset from GALEX1420+5243-OFFSET by RA Offset: -0.0151319 Degrees Dec Offset: 115.2444 Arcsec		V=20.7+/-0.200	Offset Position (GALEX1420+5243) Reference Frame: ICRS				
	(29)	GALEX1420+5243-OFFSET Alt Name1: NSMV000345	RA: 14 20 46.8892 (215.1953717d) Dec: +52 41 12.47 (52.68680d) Equinox: J2000		V=14.1+/-0.200	Reference Frame: ICRS				
Exposures	#	Label	Target	Config,Mode,Aperture	Spectral Els.	Opt. Params.	Special Reqs.	Groups	Exp. Time/[Actual Dur.]	Orbit
	1	TA	(29) GALEX1420+5243-OFFSET	COS/NUV, ACQ/IMAGE, PSA	MIRRORA				14 Secs [==>]	[1]
	2	science-1	(5) GALEX1420+5243	COS/NUV, ACCUM, PSA	MIRRORA				100 Secs [==>]	[1]
	3	science-2	(5) GALEX1420+5243	COS/FUV, TIME-TAG, PSA	G160M 1623 A	BUFFER-TIME=1100; FLASH=YES; FP-POS=3; SEGMENT=BOTH		Prime + Parallel Group 3-5	1200 Secs [==>]	[1]
	4	direct imaging	ANY	WFC3/UVIS, ACCUM, G280-REF	F300X	CR-SPLIT=NO		Prime + Parallel Group 3-5	200 Secs [==>]	[1]
	5		ANY	WFC3/UVIS, ACCUM, UVIS	G280	CR-SPLIT=NO		Prime + Parallel Group 3-5	900 Secs [==>]	[1]
	6	science-3	(5) GALEX1420+5243	COS/FUV, TIME-TAG, PSA	G160M 1623 A	BUFFER-TIME=1100; FLASH=YES; FP-POS=4; SEGMENT=BOTH		Prime + Parallel Group 6-8	1200 Secs [==>]	[1]
	7		ANY	WFC3/UVIS, ACCUM, UVIS	G280	CR-SPLIT=2		Prime + Parallel Group 6-8	800 Secs [==>(Split 1)] [==>(Split 2)]	[1]
	8	direct imaging	ANY	WFC3/UVIS, ACCUM, G280-REF	F300X	CR-SPLIT=NO		Prime + Parallel Group 6-8	200 Secs [==>]	[1]



Proposal 12269 - Visit 05 - The escape of Lya photons in star-forming galaxies

Wed Sep 29 01:18:10 GMT 2010

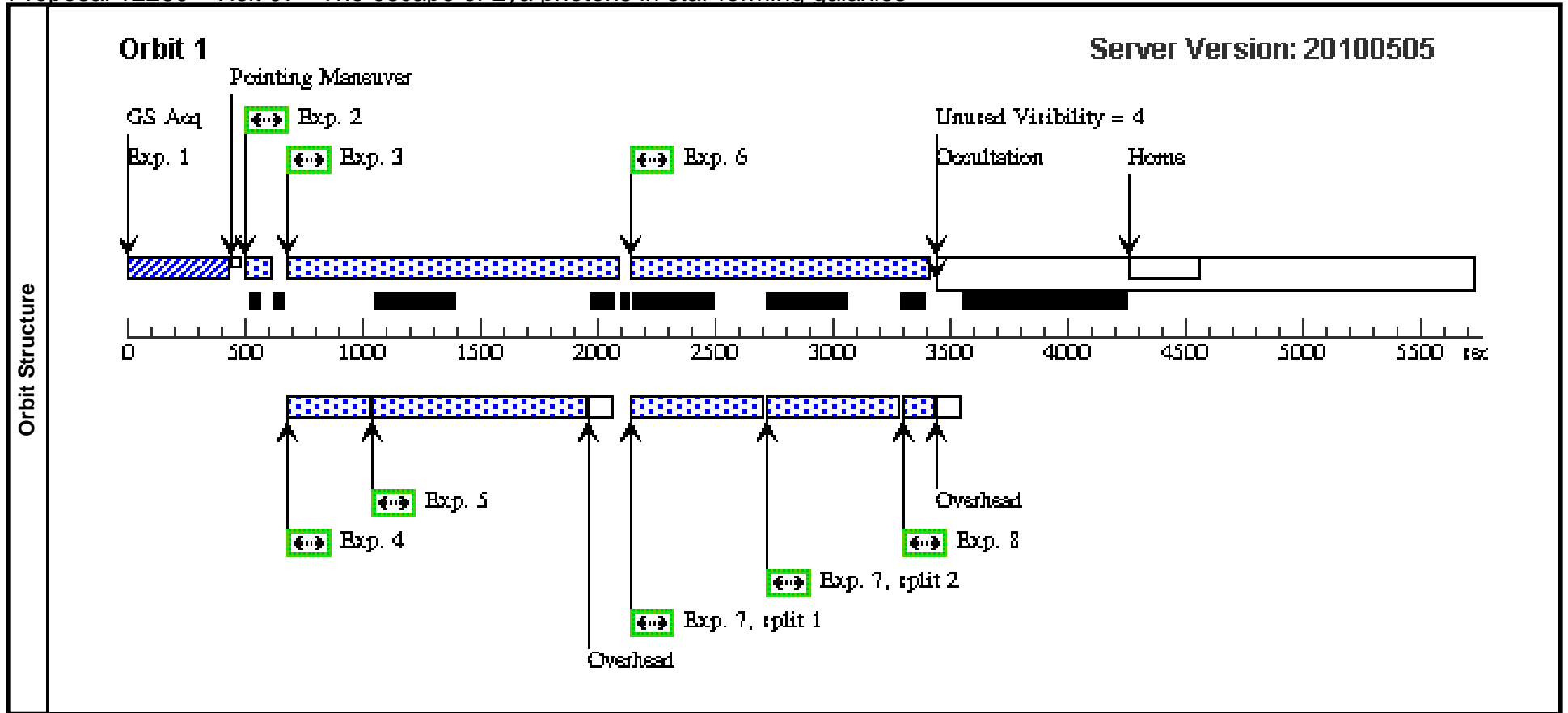
Visit		Proposal 12269, Visit 06, implementation Diagnostic Status: No Diagnostics Scientific Instruments: COS/NUV, COS/FUV, WFC3/UVIS Special Requirements: (none)								
Fixed Targets	#	Name	Target Coordinates	Targ. Coord. Corrections	Fluxes	Miscellaneous				
		(7)	GALEX1436+3459	Offset from GALEX1436+3459-OFFSET by RA Offset: -0.0104432 Degrees Dec Offset: -53.4276 Arcsec		V=21.7+/-0.200	Offset Position (GALEX1436+3459) Reference Frame: ICRS			
	(30)	GALEX1436+3459-OFFSET Alt Name1: N69Z003140	RA: 14 36 26.6419 (219.1110079d) Dec: +35 00 29.95 (35.00832d) Equinox: J2000		V=21.310+/-0.200	Reference Frame: ICRS				
Exposures	#	Label	Target	Config,Mode,Aperture	Spectral Els.	Opt. Params.	Special Reqs.	Groups	Exp. Time/[Actual Dur.]	Orbit
	1	TA	(30) GALEX1436+3459-OFFSET	COS/NUV, ACQ/IMAGE, PSA	MIRRORA				32 Secs [==>]	[1]
	2	science-1	(7) GALEX1436+3459	COS/NUV, ACCUM, PSA	MIRRORA				100 Secs [==>]	[1]
	3	science-2	(7) GALEX1436+3459	COS/FUV, TIME-TAG, PSA	G160M 1577 A		BUFFER-TIME=1000; FLASH=YES; FP-POS=3; SEGMENT=BOTH		Prime + Parallel Group 3-5 1100 Secs [==>]	[1]
	4	direct imaging	ANY	WFC3/UVIS, ACCUM, G280-REF	F300X		CR-SPLIT=NO		Prime + Parallel Group 3-5 200 Secs [==>]	[1]
	5		ANY	WFC3/UVIS, ACCUM, UVIS	G280		CR-SPLIT=NO		Prime + Parallel Group 3-5 800 Secs [==>]	[1]
	6	science-3	(7) GALEX1436+3459	COS/FUV, TIME-TAG, PSA	G160M 1577 A		BUFFER-TIME=1035; FLASH=YES; FP-POS=4; SEGMENT=BOTH		Prime + Parallel Group 6-8 1135 Secs [==>]	[1]
	7		ANY	WFC3/UVIS, ACCUM, UVIS	G280		CR-SPLIT=2		Prime + Parallel Group 6-8 800 Secs [==>(Split 1)] [==>(Split 2)]	[1]
8	direct imaging	ANY	WFC3/UVIS, ACCUM, G280-REF	F300X		CR-SPLIT=NO		Prime + Parallel Group 6-8 100 Secs [==>]	[1]	



Proposal 12269 - Visit 06 - The escape of Lya photons in star-forming galaxies

Wed Sep 29 01:18:11 GMT 2010

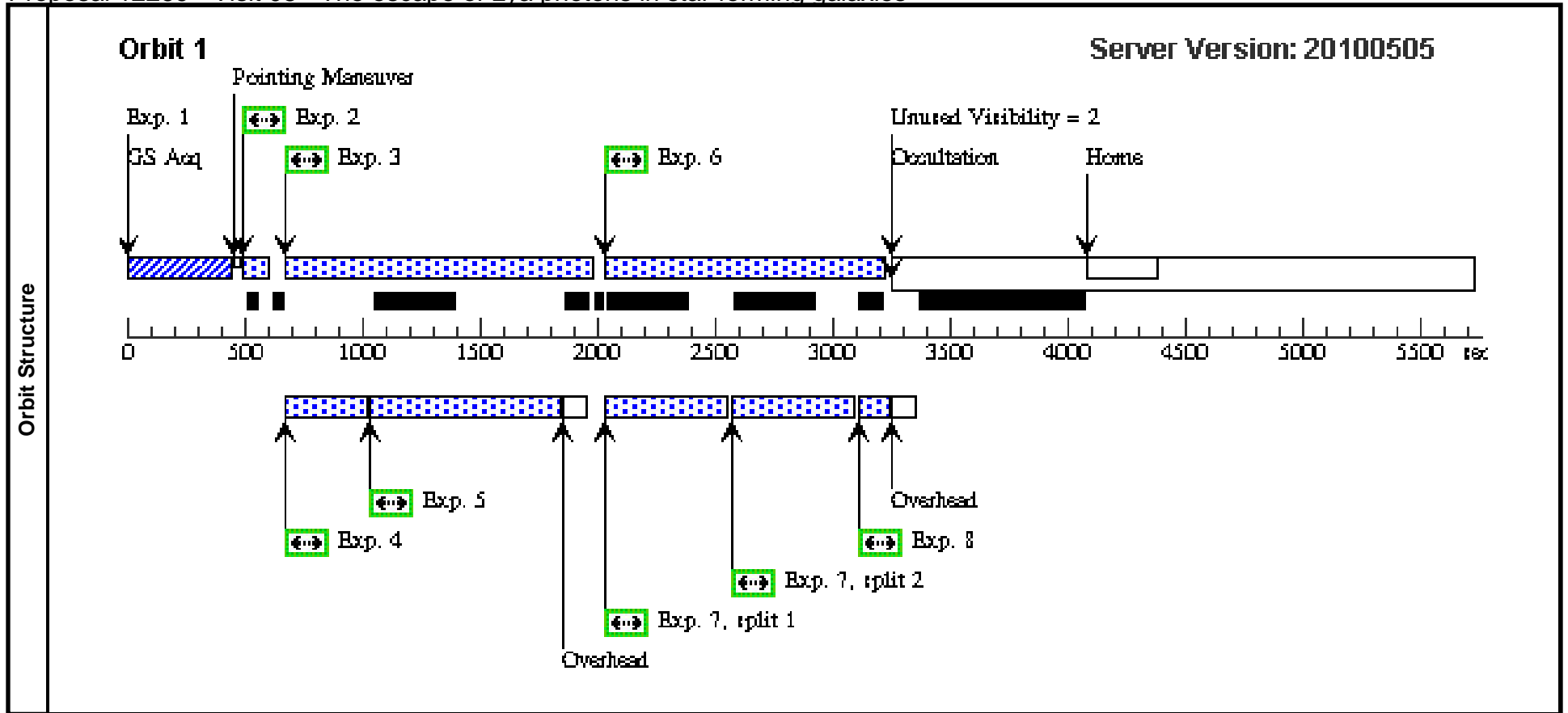
Visit	Proposal 12269, Visit 07, implementation Diagnostic Status: No Diagnostics Scientific Instruments: COS/NUV, COS/FUV, WFC3/UVIS Special Requirements: (none)									
	Fixed Targets	#	Name	Target Coordinates	Targ. Coord. Corrections	Fluxes	Miscellaneous			
	(8)	GALEX1418+5259	Offset from GALEX1418+5259-OFFSET by RA Offset: 0.0237525449924476 Degrees Dec Offset: -52.5096 Arcsec		V=20.8+/-0.200	Offset Position (GALEX1418+5259) Reference Frame: ICRS				
	(31)	GALEX1418+5259-OFFSET Alt Name1: NSMV005971	RA: 14 18 50.1873 (214.7091138d) Dec: +53 00 24.36 (53.00677d) Equinox: J2000		V=16.22+/-0.200	Reference Frame: ICRS				
Exposures	#	Label	Target	Config,Mode,Aperture	Spectral Els.	Opt. Params.	Special Reqs.	Groups	Exp. Time/[Actual Dur.]	Orbit
	1	TA	(31) GALEX1418+5259-OFFSET	COS/NUV, ACQ/IMAGE, PSA	MIRRORA				17 Secs [==>]	[1]
	2	science-1	(8) GALEX1418+5259	COS/NUV, ACCUM, PSA	MIRRORA				100 Secs [==>]	[1]
	3	science-2	(8) GALEX1418+5259	COS/FUV, TIME-TAG, PSA	G160M 1623 A	BUFFER-TIME=1100; FLASH=YES; FP-POS=3; SEGMENT=BOTH		Prime + Parallel Group 3-5	1200 Secs [==>]	[1]
	4	direct imaging	ANY	WFC3/UVIS, ACCUM, G280-REF	F300X	CR-SPLIT=NO		Prime + Parallel Group 3-5	200 Secs [==>]	[1]
	5		ANY	WFC3/UVIS, ACCUM, UVIS	G280	CR-SPLIT=NO		Prime + Parallel Group 3-5	900 Secs [==>]	[1]
	6	science-3	(8) GALEX1418+5259	COS/FUV, TIME-TAG, PSA	G160M 1623 A	BUFFER-TIME=1120; FLASH=YES; FP-POS=4; SEGMENT=BOTH		Prime + Parallel Group 6-8	1220 Secs [==>]	[1]
	7		ANY	WFC3/UVIS, ACCUM, UVIS	G280	CR-SPLIT=2		Prime + Parallel Group 6-8	900 Secs [==>(Split 1)] [==>(Split 2)]	[1]
	8	direct imaging	ANY	WFC3/UVIS, ACCUM, G280-REF	F300X	CR-SPLIT=NO		Prime + Parallel Group 6-8	110 Secs [==>]	[1]



Proposal 12269 - Visit 07 - The escape of Ly α photons in star-forming galaxies

Wed Sep 29 01:18:11 GMT 2010

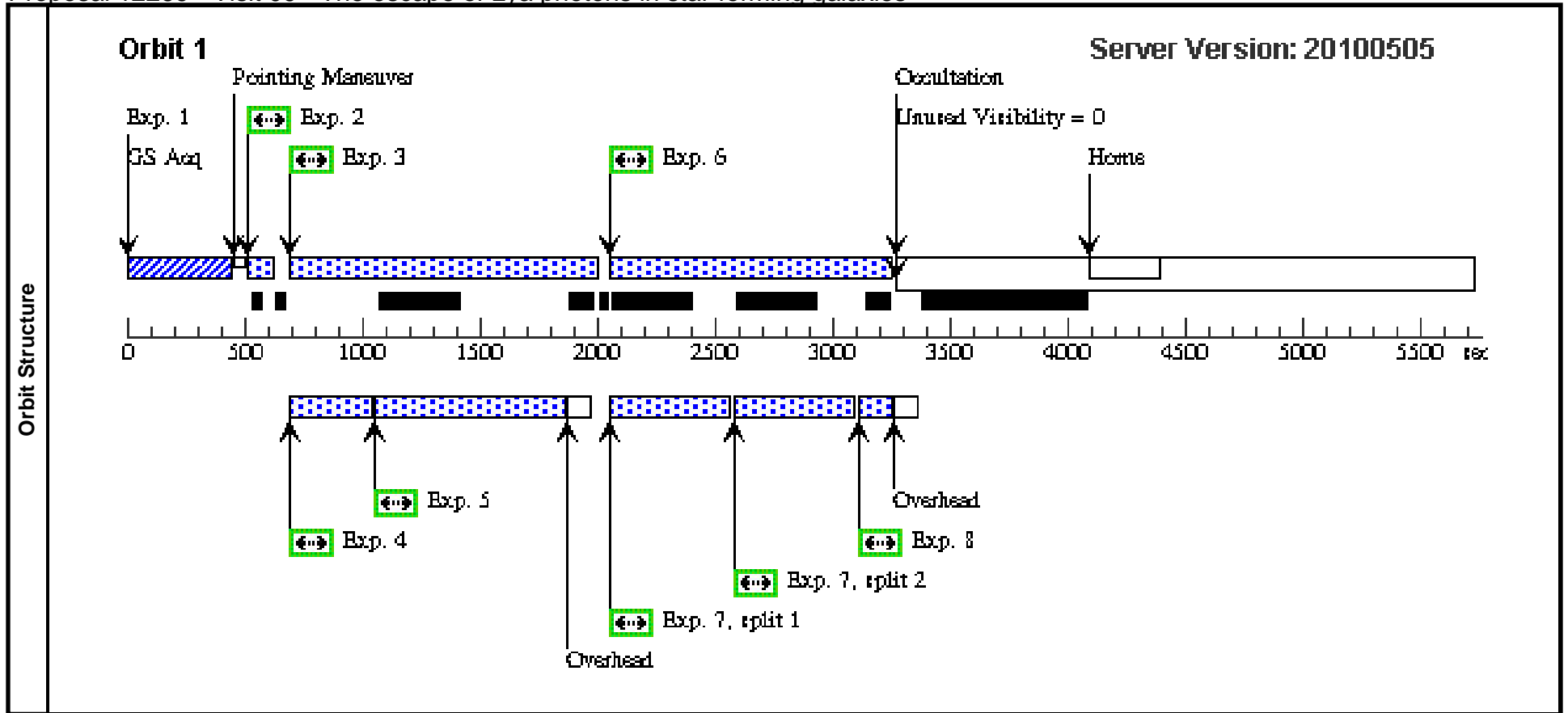
Visit		Proposal 12269, Visit 08, implementation Diagnostic Status: No Diagnostics Scientific Instruments: COS/NUV, COS/FUV, WFC3/UVIS Special Requirements: (none)								
Fixed Targets	#	Name	Target Coordinates	Targ. Coord. Corrections	Fluxes	Miscellaneous				
	(6)	GALEX0332-2811A	Offset from GALEX0332-2811A-OFFSET by RA Offset: -0.01286858 Degrees Dec Offset: 21.7716 Arcsec		V=20.270+/-0.200	Offset Position (GALEX0332-2811A) Reference Frame: ICRS				
	(32)	GALEX0332-2811A-OFFSET Alt Name1: S33T000268	RA: 03 32 44.8966 (53.1870692d) Dec: -28 11 46.94 (-28.19637d) Equinox: J2000		V=20.270+/-0.200	Reference Frame: ICRS				
Exposures	#	Label	Target	Config,Mode,Aperture	Spectral Els.	Opt. Params.	Special Reqs.	Groups	Exp. Time/[Actual Dur.]	Orbit
	1	TA	(32) GALEX0332-2811A-OFFSET	COS/NUV, ACQ/IMAGE, PSA	MIRRORA				18 Secs [==>]	[1]
	2	science-1	(6) GALEX0332-2811A	COS/NUV, ACCUM, PSA	MIRRORA				100 Secs [==>]	[1]
	3	science-2	(6) GALEX0332-2811A	COS/FUV, TIME-TAG, PSA	G160M 1577 A		BUFFER-TIME=1000; FLASH=YES; FP-POS=3; SEGMENT=BOTH	Prime + Parallel Group 3-5	1100 Secs [==>]	[1]
	4	direct imaging	ANY	WFC3/UVIS, ACCUM, G280-REF	F300X		CR-SPLIT=NO	Prime + Parallel Group 3-5	200 Secs [==>]	[1]
	5		ANY	WFC3/UVIS, ACCUM, UVIS	G280		CR-SPLIT=NO	Prime + Parallel Group 3-5	800 Secs [==>]	[1]
	6	science-3	(6) GALEX0332-2811A	COS/FUV, TIME-TAG, PSA	G160M 1577 A		BUFFER-TIME=1040; FLASH=YES; FP-POS=4; SEGMENT=BOTH	Prime + Parallel Group 6-8	1140 Secs [==>]	[1]
	7		ANY	WFC3/UVIS, ACCUM, UVIS	G280		CR-SPLIT=2	Prime + Parallel Group 6-8	820 Secs [==>(Split 1)] [==>(Split 2)]	[1]
	8	direct imaging	ANY	WFC3/UVIS, ACCUM, G280-REF	F300X		CR-SPLIT=NO	Prime + Parallel Group 6-8	110 Secs [==>]	[1]



Proposal 12269 - Visit 08 - The escape of Lya photons in star-forming galaxies

Wed Sep 29 01:18:12 GMT 2010

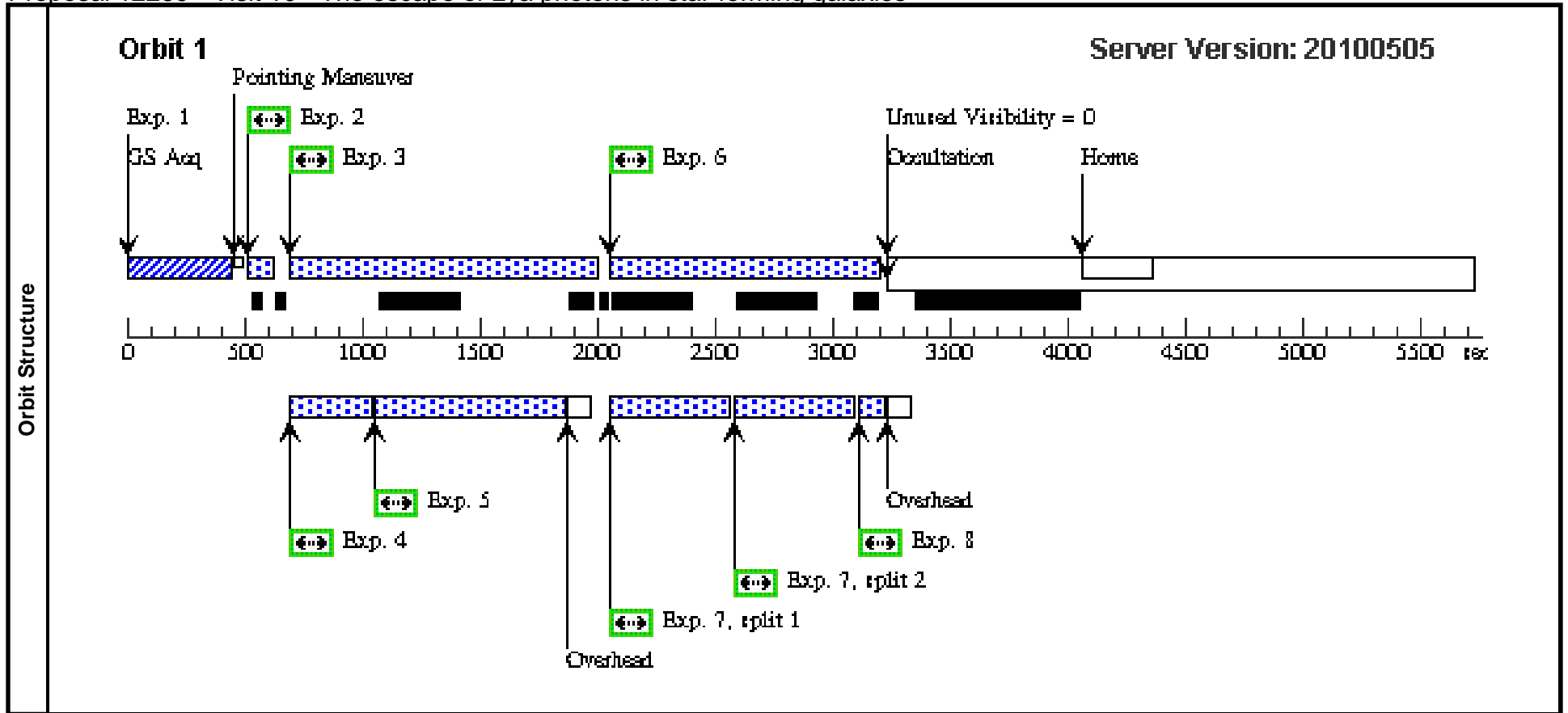
Visit		Proposal 12269, Visit 09, implementation								Wed Sep 29 01:18:12 GMT 2010	
		Diagnostic Status: No Diagnostics									
		Scientific Instruments: COS/NUV, COS/FUV, WFC3/UVIS									
		Special Requirements: (none)									
Fixed Targets	#	Name	Target Coordinates	Targ. Coord. Corrections	Fluxes	Miscellaneous					
	(10)	GALEX1437+3445	Offset from GALEX1437+3445-OFFSET by RA Offset: -0.03610446 Degrees Dec Offset: -19.7016 Arcsec		V=20.5+/-0.200	Offset Position (GALEX1437+3445) Reference Frame: ICRS					
	(33)	GALEX1437+3445-OFFSET Alt Name1: N69Z002017	RA: 14 37 28.7987 (219.3699946d) Dec: +34 45 47.39 (34.76316d) Equinox: J2000		V=19.15+/-0.200	Reference Frame: ICRS					
Exposures	#	Label	Target	Config,Mode,Aperture	Spectral Els.	Opt. Params.	Special Reqs.	Groups	Exp. Time/[Actual Dur.]	Orbit	
	1	TA	(33) GALEX1437+3445-OFFSET	COS/NUV, ACQ/IMAGE, PSA	MIRRORA				19 Secs [==>]	[1]	
	2	science-1	(10) GALEX1437+3445	COS/NUV, ACCUM, PSA	MIRRORA				100 Secs [==>]	[1]	
	3	science-2	(10) GALEX1437+3445	COS/FUV, TIME-TAG, PSA	G160M 1577 A	BUFFER-TIME=1000; FLASH=YES; FP-POS=3; SEGMENT=BOTH		Prime + Parallel Group 3-5	1100 Secs [==>]	[1]	
	4	direct imaging	ANY	WFC3/UVIS, ACCUM, G280-REF	F300X	CR-SPLIT=NO		Prime + Parallel Group 3-5	200 Secs [==>]	[1]	
	5		ANY	WFC3/UVIS, ACCUM, UVIS	G280	CR-SPLIT=NO		Prime + Parallel Group 3-5	800 Secs [==>]	[1]	
	6	science-3	(10) GALEX1437+3445	COS/FUV, TIME-TAG, PSA	G160M 1577 A	BUFFER-TIME=1050; FLASH=YES; FP-POS=4; SEGMENT=BOTH		Prime + Parallel Group 6-8	1150 Secs [==>]	[1]	
	7		ANY	WFC3/UVIS, ACCUM, UVIS	G280	CR-SPLIT=2		Prime + Parallel Group 6-8	800 Secs [==>(Split 1)] [==>(Split 2)]	[1]	
8	direct imaging	ANY	WFC3/UVIS, ACCUM, G280-REF	F300X	CR-SPLIT=NO		Prime + Parallel Group 6-8	120 Secs [==>]	[1]		



Proposal 12269 - Visit 09 - The escape of Lya photons in star-forming galaxies

Wed Sep 29 01:18:13 GMT 2010

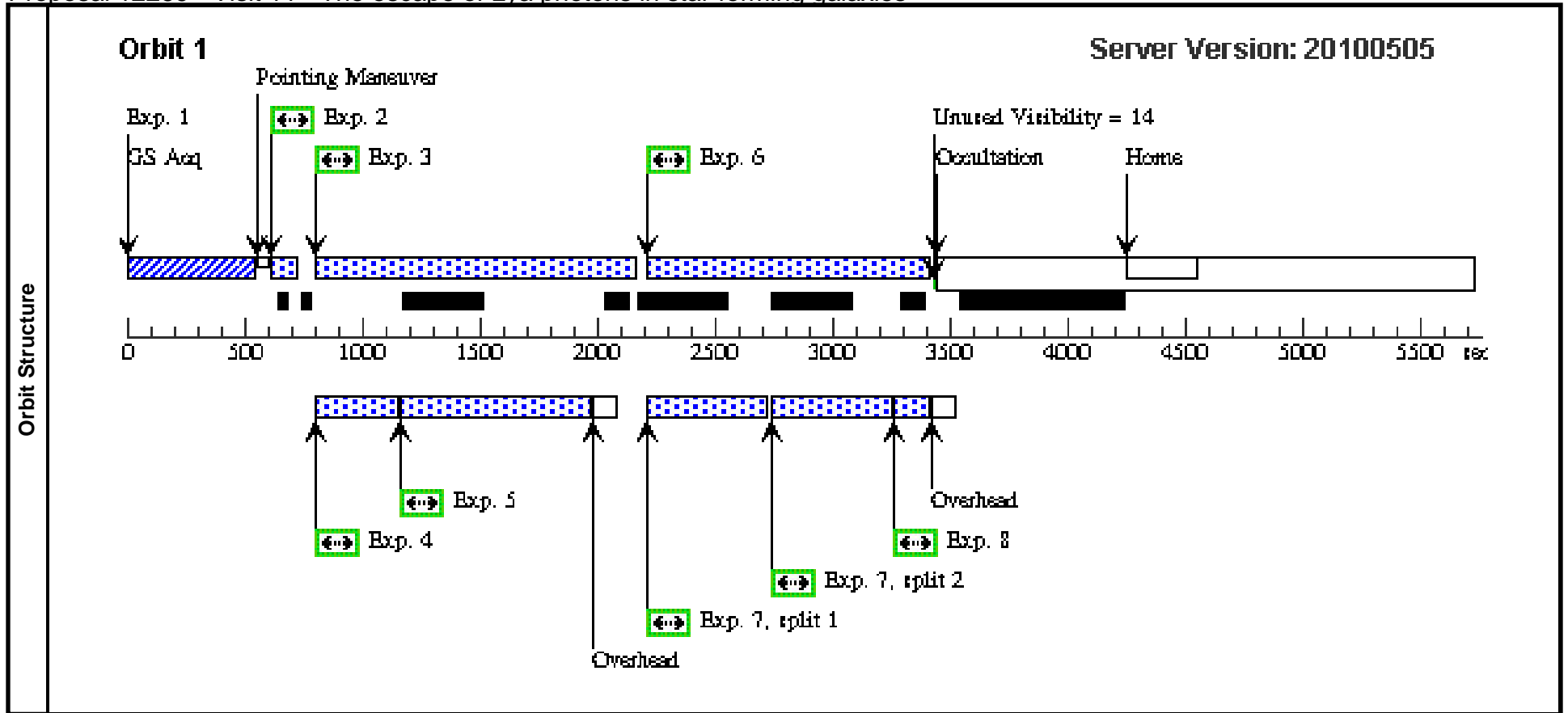
Visit		Proposal 12269, Visit 10, implementation Diagnostic Status: No Diagnostics Scientific Instruments: COS/NUV, COS/FUV, WFC3/UVIS Special Requirements: (none)								
Fixed Targets	#	Name	Target Coordinates	Targ. Coord. Corrections	Fluxes	Miscellaneous				
		(11)	GALEX1001+0233	Offset from GALEX1001+0233-OFFSET by RA Offset: -0.0251913467 Degrees Dec Offset: -18.5652 Arcsec		V=20.9+/-0.200	Offset Position (GALEX1001+0233) Reference Frame: ICRS			
	(34)	GALEX1001+0233-OFFSET Alt Name1: N6SS002734	RA: 10 01 45.1997 (150.4383321d) Dec: +02 34 7.09 (2.56864d) Equinox: J2000		V=16.9+/-0.200	Reference Frame: ICRS				
Exposures	#	Label	Target	Config,Mode,Aperture	Spectral Els.	Opt. Params.	Special Reqs.	Groups	Exp. Time/[Actual Dur.]	Orbit
	1	TA	(34) GALEX1001+0233-OFFSET	COS/NUV, ACQ/IMAGE, PSA	MIRRORA				21 Secs [==>]	[1]
	2	science-1	(11) GALEX1001+0233	COS/NUV, ACCUM, PSA	MIRRORA				100 Secs [==>]	[1]
	3	science-2	(11) GALEX1001+0233	COS/FUV, TIME-TAG, PSA	G160M 1623 A	BUFFER-TIME=1000; FLASH=YES; FP-POS=3; SEGMENT=BOTH		Prime + Parallel Group 3-5	1100 Secs [==>]	[1]
	4	direct imaging	ANY	WFC3/UVIS, ACCUM, G280-REF	F300X	CR-SPLIT=NO		Prime + Parallel Group 3-5	200 Secs [==>]	[1]
	5		ANY	WFC3/UVIS, ACCUM, UVIS	G280	CR-SPLIT=NO		Prime + Parallel Group 3-5	800 Secs [==>]	[1]
	6	science-3	(11) GALEX1001+0233	COS/FUV, TIME-TAG, PSA	G160M 1623 A	BUFFER-TIME=1000; FLASH=YES; FP-POS=4; SEGMENT=BOTH		Prime + Parallel Group 6-8	1100 Secs [==>]	[1]
	7		ANY	WFC3/UVIS, ACCUM, UVIS	G280	CR-SPLIT=2		Prime + Parallel Group 6-8	800 Secs [==>(Split 1)] [==>(Split 2)]	[1]
8	direct imaging	ANY	WFC3/UVIS, ACCUM, G280-REF	F300X	CR-SPLIT=NO		Prime + Parallel Group 6-8	90 Secs [==>]	[1]	



Proposal 12269 - Visit 10 - The escape of Lya photons in star-forming galaxies

Wed Sep 29 01:18:13 GMT 2010

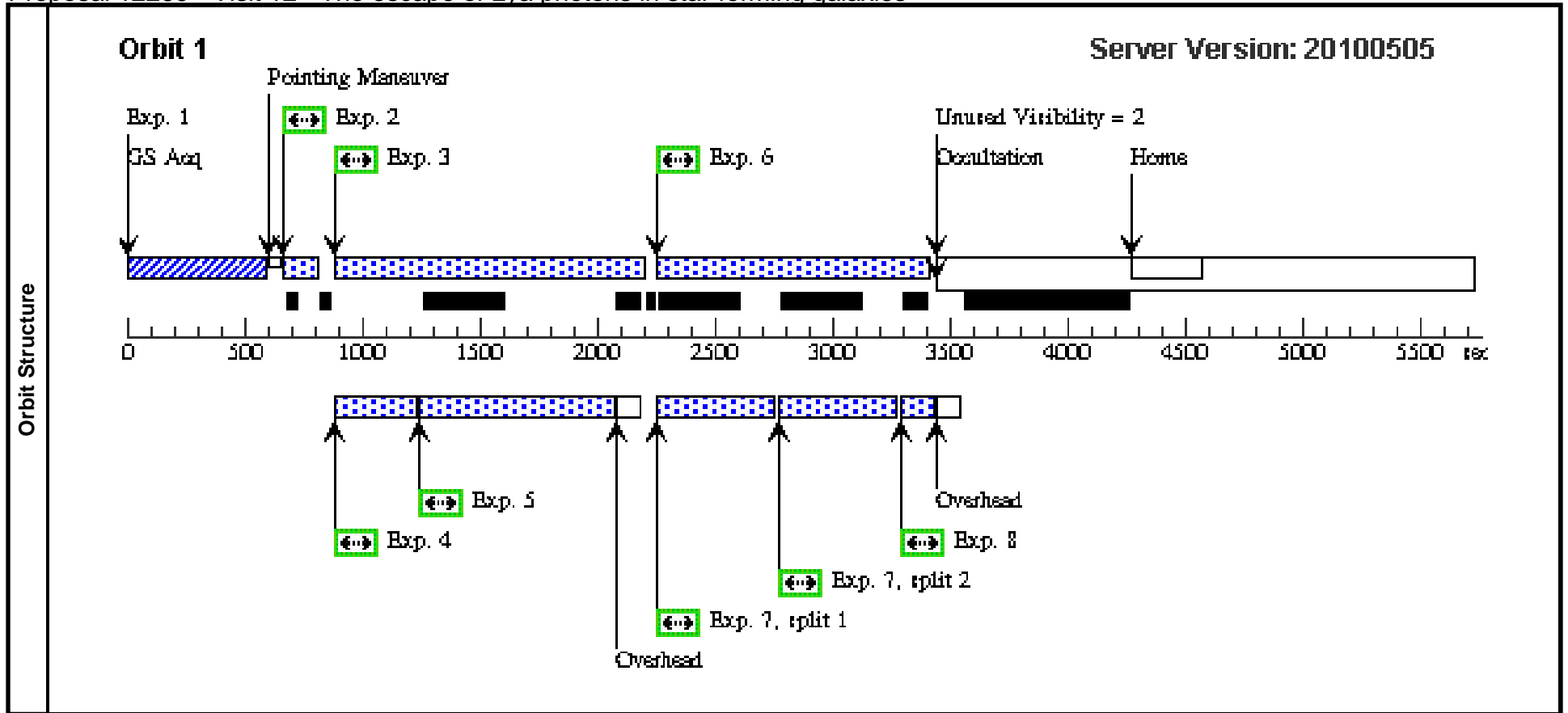
Visit		Proposal 12269, Visit 11, implementation								
		Diagnostic Status: No Diagnostics								
		Scientific Instruments: COS/NUV, COS/FUV, WFC3/UVIS								
		Special Requirements: (none)								
Fixed Targets	#	Name	Target Coordinates	Targ. Coord. Corrections	Fluxes	Miscellaneous				
	(12)	GALEX1418+5217	Offset from GALEX1418+5217-OFFSET by RA Offset: -0.048045 Degrees Dec Offset: -13.532399 Arcsec		V=21.180+/-0.200	Offset Position (GALEX1418+5217) Reference Frame: ICRS				
	(35)	GALEX1418+5217-OFFSET Alt Name1: N5MT008078	RA: 14 18 59.7473 (214.7489471d) Dec: +52 18 9.46 (52.30263d) Equinox: J2000		V=21.180+/-0.200	Reference Frame: ICRS				
Exposures	#	Label	Target	Config,Mode,Aperture	Spectral Els.	Opt. Params.	Special Reqs.	Groups	Exp. Time/[Actual Dur.]	Orbit
	1	TA	(35) GALEX1418+5217-OFFSET	COS/NUV, ACQ/IMAGE, PSA	MIRRORA				72 Secs [==>]	[1]
	2	science-1	(12) GALEX1418+5217	COS/NUV, ACCUM, PSA	MIRRORA				100 Secs [==>]	[1]
	3	science-2	(12) GALEX1418+5217	COS/FUV, TIME-TAG, PSA	G160M 1623 A	BUFFER-TIME=10 50; FLASH=YES; FP-POS=3; SEGMENT=BOTH		Prime + Parallel Group 3-5	1150 Secs [==>]	[1]
	4	direct imaging	ANY	WFC3/UVIS, ACCUM, G280-REF	F300X	CR-SPLIT=NO		Prime + Parallel Group 3-5	200 Secs [==>]	[1]
	5		ANY	WFC3/UVIS, ACCUM, UVIS	G280	CR-SPLIT=NO		Prime + Parallel Group 3-5	800 Secs [==>]	[1]
	6	science-3	(12) GALEX1418+5217	COS/FUV, TIME-TAG, PSA	G160M 1623 A	BUFFER-TIME=10 50; FLASH=YES; FP-POS=4; SEGMENT=BOTH		Prime + Parallel Group 6-8	1150 Secs [==>]	[1]
	7		ANY	WFC3/UVIS, ACCUM, UVIS	G280	CR-SPLIT=2		Prime + Parallel Group 6-8	800 Secs [==>(Split 1)] [==>(Split 2)]	[1]
	8	direct imaging	ANY	WFC3/UVIS, ACCUM, G280-REF	F300X	CR-SPLIT=NO		Prime + Parallel Group 6-8	130 Secs [==>]	[1]



Proposal 12269 - Visit 11 - The escape of Ly α photons in star-forming galaxies

Wed Sep 29 01:18:13 GMT 2010

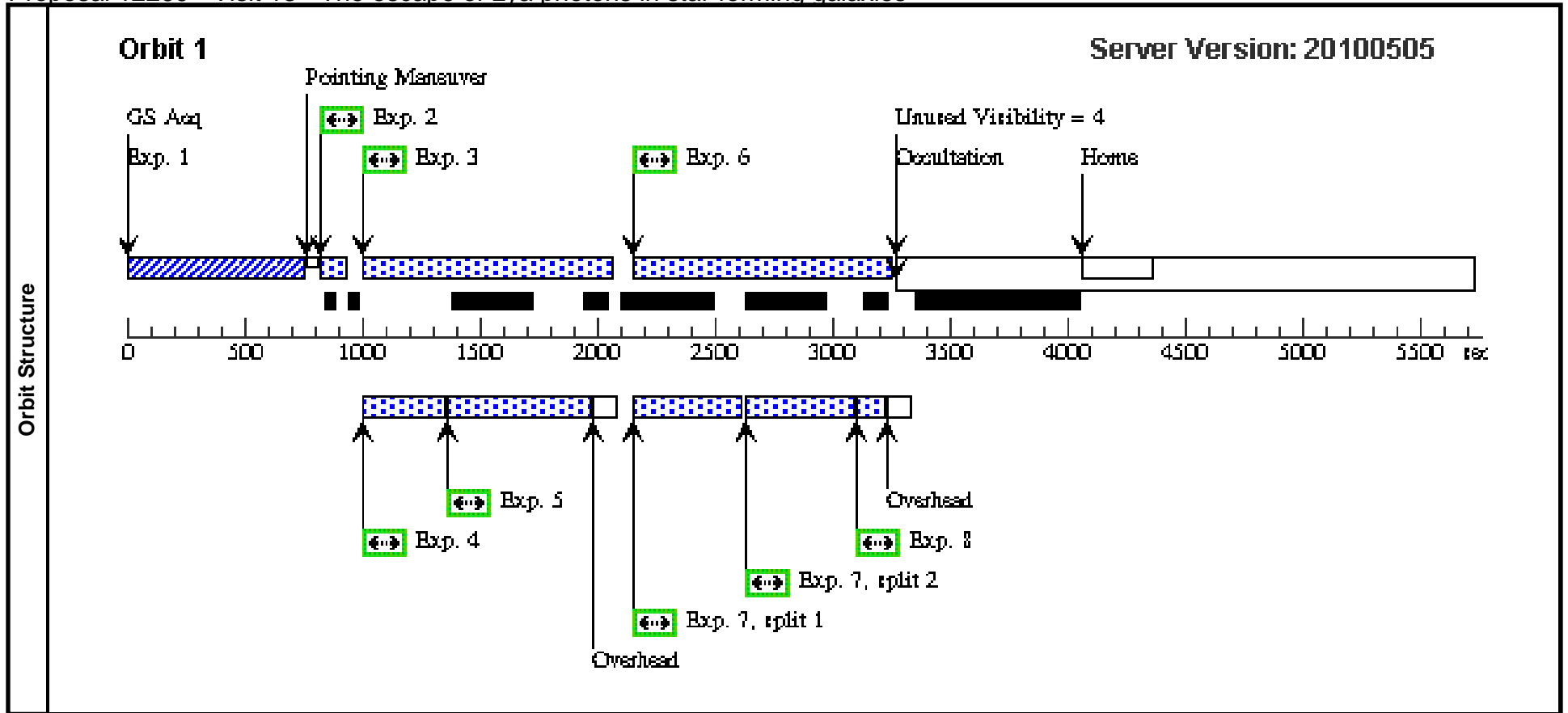
Visit		Proposal 12269, Visit 12, implementation Diagnostic Status: No Diagnostics Scientific Instruments: COS/NUV, COS/FUV, WFC3/UVIS Special Requirements: (none)								
Fixed Targets	#	Name	Target Coordinates	Targ. Coord. Corrections	Fluxes	Miscellaneous				
	(13)	GALEX1417+5305	Offset from GALEX1417+5305-OFFSET by RA Offset: 0.01800162 Degrees Dec Offset: -110.834 Arcsec		V=20.3+/-0.200	Offset Position (GALEX1417+5305) Reference Frame: ICRS				
	(36)	GALEX1417+5305-OFFSET	RA: 14 17 5.5205 (214.2730021d) Dec: +53 07 1.81 (53.11717d) Equinox: J2000		V=21.290+/-0.200	Reference Frame: ICRS				
Exposures	#	Label	Target	Config,Mode,Aperture	Spectral Els.	Opt. Params.	Special Reqs.	Groups	Exp. Time/[Actual Dur.]	Orbit
	1	TA	(36) GALEX1417+5305-OFFSET	COS/NUV, ACQ/IMAGE, PSA	MIRRORA				93 Secs [==>]	[1]
	2	science-1	(13) GALEX1417+5305	COS/NUV, ACCUM, PSA	MIRRORA				140 Secs [==>]	[1]
	3	science-2	(13) GALEX1417+5305	COS/FUV, TIME-TAG, PSA	G160M 1623 A	BUFFER-TIME=10 10; FLASH=YES; FP-POS=3; SEGMENT=BOTH		Prime + Parallel Group 3-5	1110 Secs [==>]	[1]
	4	direct imaging	ANY	WFC3/UVIS, ACCUM, G280-REF	F300X	CR-SPLIT=NO		Prime + Parallel Group 3-5	200 Secs [==>]	[1]
	5		ANY	WFC3/UVIS, ACCUM, UVIS	G280	CR-SPLIT=NO		Prime + Parallel Group 3-5	820 Secs [==>]	[1]
	6	science-3	(13) GALEX1417+5305	COS/FUV, TIME-TAG, PSA	G160M 1623 A	BUFFER-TIME=10 10; FLASH=YES; FP-POS=4; SEGMENT=BOTH		Prime + Parallel Group 6-8	1110 Secs [==>]	[1]
	7		ANY	WFC3/UVIS, ACCUM, UVIS	G280	CR-SPLIT=2		Prime + Parallel Group 6-8	780 Secs [==>(Split 1)] [==>(Split 2)]	[1]
8	direct imaging	ANY	WFC3/UVIS, ACCUM, G280-REF	F300X	CR-SPLIT=NO		Prime + Parallel Group 6-8	120 Secs [==>]	[1]	



Proposal 12269 - Visit 12 - The escape of Ly α photons in star-forming galaxies

Wed Sep 29 01:18:14 GMT 2010

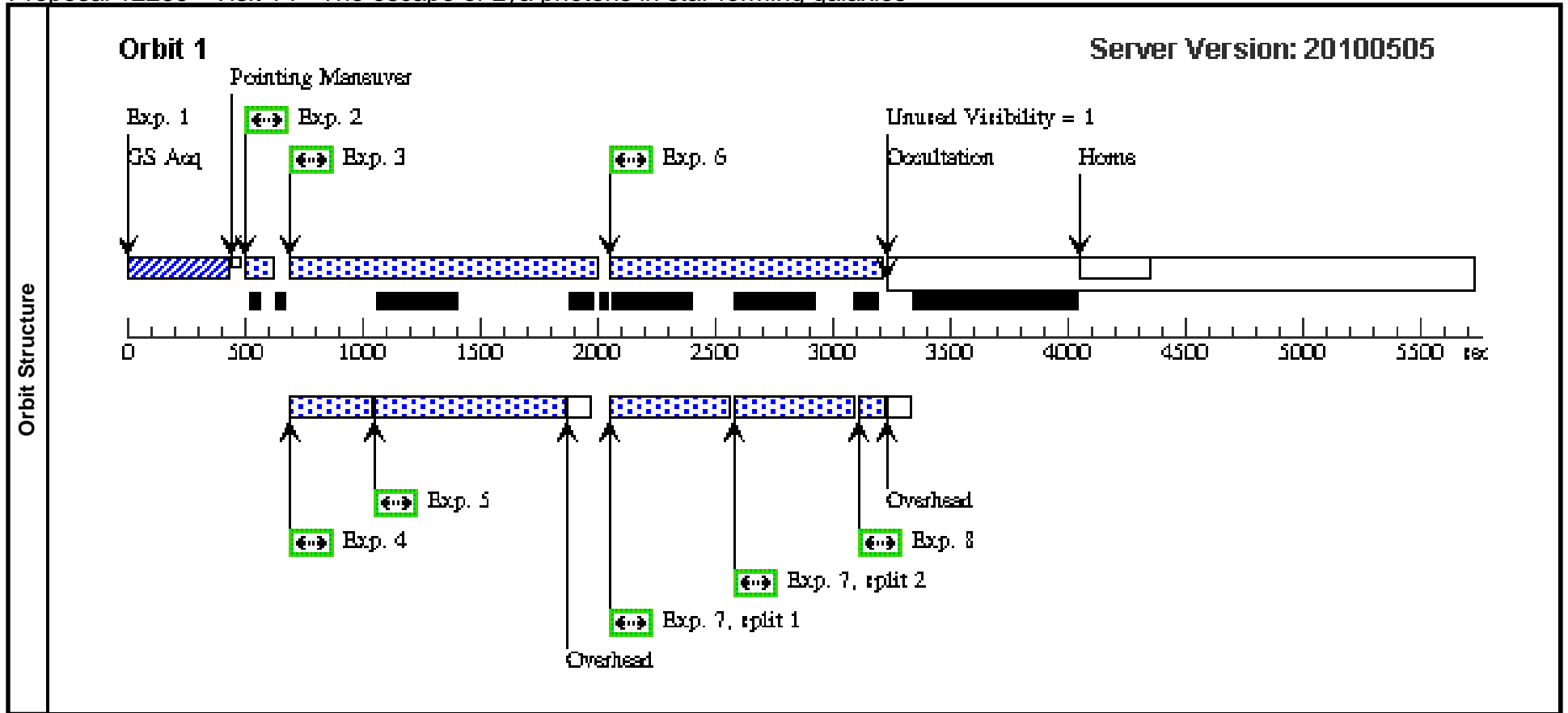
Visit		Proposal 12269, Visit 13, implementation Diagnostic Status: No Diagnostics Scientific Instruments: COS/NUV, COS/FUV, WFC3/UVIS Special Requirements: (none)								
Fixed Targets	#	Name	Target Coordinates	Targ. Coord. Corrections	Fluxes	Miscellaneous				
	(14)	GALEX1436+3456	Offset from GALEX1436+3456-OFFSET by RA Offset: 0.0092829 Degrees Dec Offset: 95.86736 Arcsec		V=20.5+/-0.200	Offset Position (GALEX1436+3456) Reference Frame: ICRS				
	(37)	GALEX1436+3456-OFFSET Alt Name1: N69Z002731	RA: 14 36 19.8444 (219.0826850d) Dec: +34 54 55.90 (34.91553d) Equinox: J2000		V=16.34+/-0.200	Reference Frame: ICRS				
Exposures	#	Label	Target	Config,Mode,Aperture	Spectral Els.	Opt. Params.	Special Reqs.	Groups	Exp. Time/[Actual Dur.]	Orbit
	1	TA	(37) GALEX1436+3456-OFFSET	COS/NUV, ACQ/IMAGE, PSA	MIRRORA				175 Secs [==>]	[1]
	2	science-1	(14) GALEX1436+3456	COS/NUV, ACCUM, PSA	MIRRORA				100 Secs [==>]	[1]
	3	science-2	(14) GALEX1436+3456	COS/FUV, TIME-TAG, PSA	G160M 1623 A	BUFFER-TIME=750; FLASH=YES; FP-POS=3; SEGMENT=BOTH		Prime + Parallel Group 3-5	850 Secs [==>]	[1]
	4	direct imaging	ANY	WFC3/UVIS, ACCUM, G280-REF	F300X	CR-SPLIT=NO		Prime + Parallel Group 3-5	200 Secs [==>]	[1]
	5		ANY	WFC3/UVIS, ACCUM, UVIS	G280	CR-SPLIT=NO		Prime + Parallel Group 3-5	600 Secs [==>]	[1]
	6	science-3	(14) GALEX1436+3456	COS/FUV, TIME-TAG, PSA	G160M 1623 A	BUFFER-TIME=950; FLASH=YES; FP-POS=4; SEGMENT=BOTH		Prime + Parallel Group 6-8	1050 Secs [==>]	[1]
	7		ANY	WFC3/UVIS, ACCUM, UVIS	G280	CR-SPLIT=2		Prime + Parallel Group 6-8	700 Secs [==>(Split 1)] [==>(Split 2)]	[1]
	8	direct imaging	ANY	WFC3/UVIS, ACCUM, G280-REF	F300X	CR-SPLIT=NO		Prime + Parallel Group 6-8	100 Secs [==>]	[1]



Proposal 12269 - Visit 13 - The escape of Ly α photons in star-forming galaxies

Wed Sep 29 01:18:14 GMT 2010

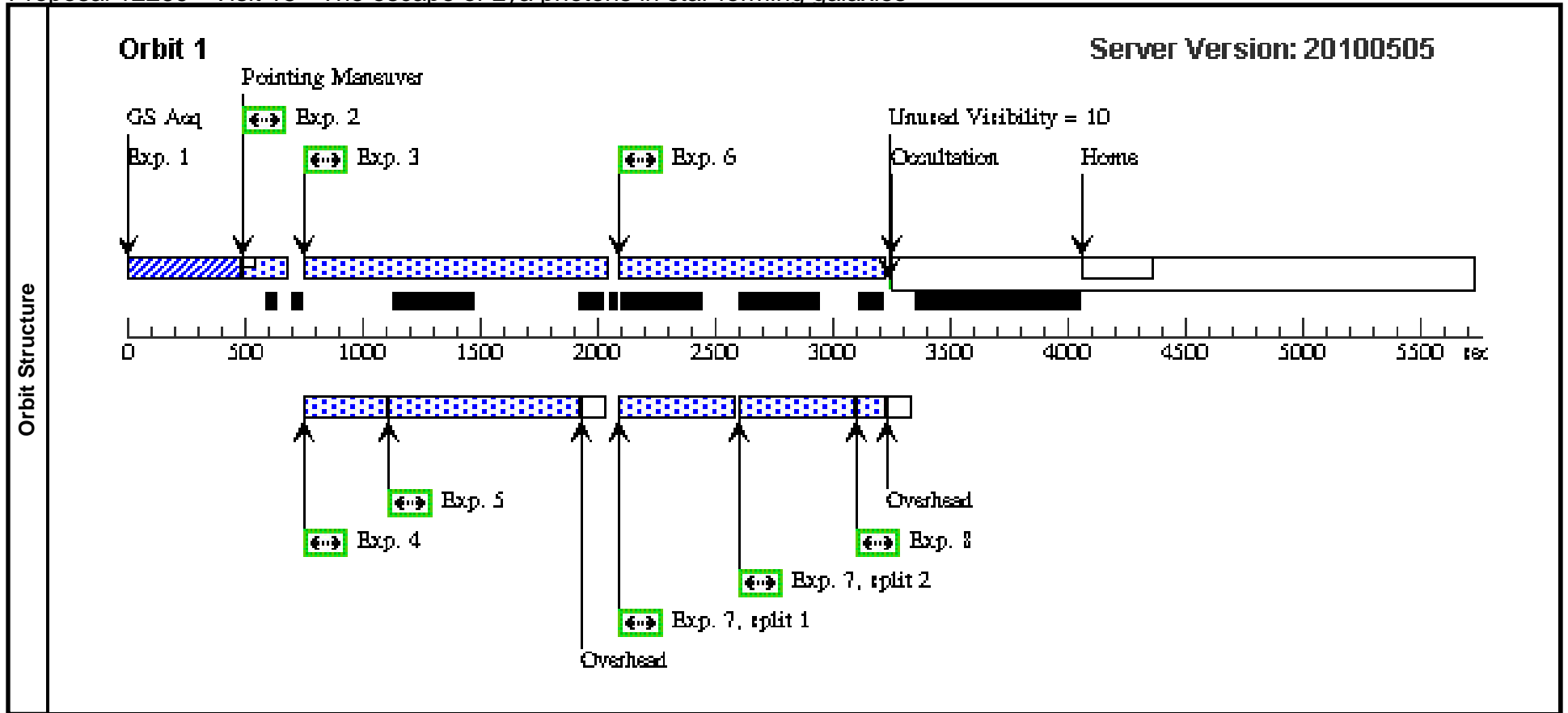
Visit		Proposal 12269, Visit 14, implementation Diagnostic Status: No Diagnostics Scientific Instruments: COS/NUV, COS/FUV, WFC3/UVIS Special Requirements: (none)								
Fixed Targets	#	Name	Target Coordinates	Targ. Coord. Corrections	Fluxes	Miscellaneous				
	(15)	GALEX0959+0149	Offset from GALEX0959+0149-OFFSET by RA Offset: 0.02016724 Degrees Dec Offset: 54.054 Arcsec		V=19.8+/-0.200	Offset Position (GALEX0959+0149) Reference Frame: ICRS				
	(38)	GALEX0959+0149-OFFSET Alt Name1: N6SV001961	RA: 09 59 24.8359 (149.8534829d) Dec: +01 49 4.83 (1.81801d) Equinox: J2000		V=21.420+/-0.200	Reference Frame: ICRS				
Exposures	#	Label	Target	Config,Mode,Aperture	Spectral Els.	Opt. Params.	Special Reqs.	Groups	Exp. Time/[Actual Dur.]	Orbit
	1	TA	(38) GALEX0959+0149-OFFSET	COS/NUV, ACQ/IMAGE, PSA	MIRRORA				15 Secs [==>]	[1]
	2	science-1	(15) GALEX0959+0149	COS/NUV, ACCUM, PSA	MIRRORA				110 Secs [==>]	[1]
	3	science-2	(15) GALEX0959+0149	COS/FUV, TIME-TAG, PSA	G160M 1577 A	BUFFER-TIME=1000; FLASH=YES; FP-POS=3; SEGMENT=BOTH		Prime + Parallel Group 3-5	1100 Secs [==>]	[1]
	4	direct imaging	ANY	WFC3/UVIS, ACCUM, G280-REF	F300X	CR-SPLIT=NO		Prime + Parallel Group 3-5	200 Secs [==>]	[1]
	5		ANY	WFC3/UVIS, ACCUM, UVIS	G280	CR-SPLIT=NO		Prime + Parallel Group 3-5	800 Secs [==>]	[1]
	6	science-3	(15) GALEX0959+0149	COS/FUV, TIME-TAG, PSA	G160M 1577 A	BUFFER-TIME=1010; FLASH=YES; FP-POS=4; SEGMENT=BOTH		Prime + Parallel Group 6-8	1110 Secs [==>]	[1]
	7		ANY	WFC3/UVIS, ACCUM, UVIS	G280	CR-SPLIT=2		Prime + Parallel Group 6-8	800 Secs [==>(Split 1)] [==>(Split 2)]	[1]
8	direct imaging	ANY	WFC3/UVIS, ACCUM, G280-REF	F300X	CR-SPLIT=NO		Prime + Parallel Group 6-8	90 Secs [==>]	[1]	



Proposal 12269 - Visit 14 - The escape of Lya photons in star-forming galaxies

Wed Sep 29 01:18:14 GMT 2010

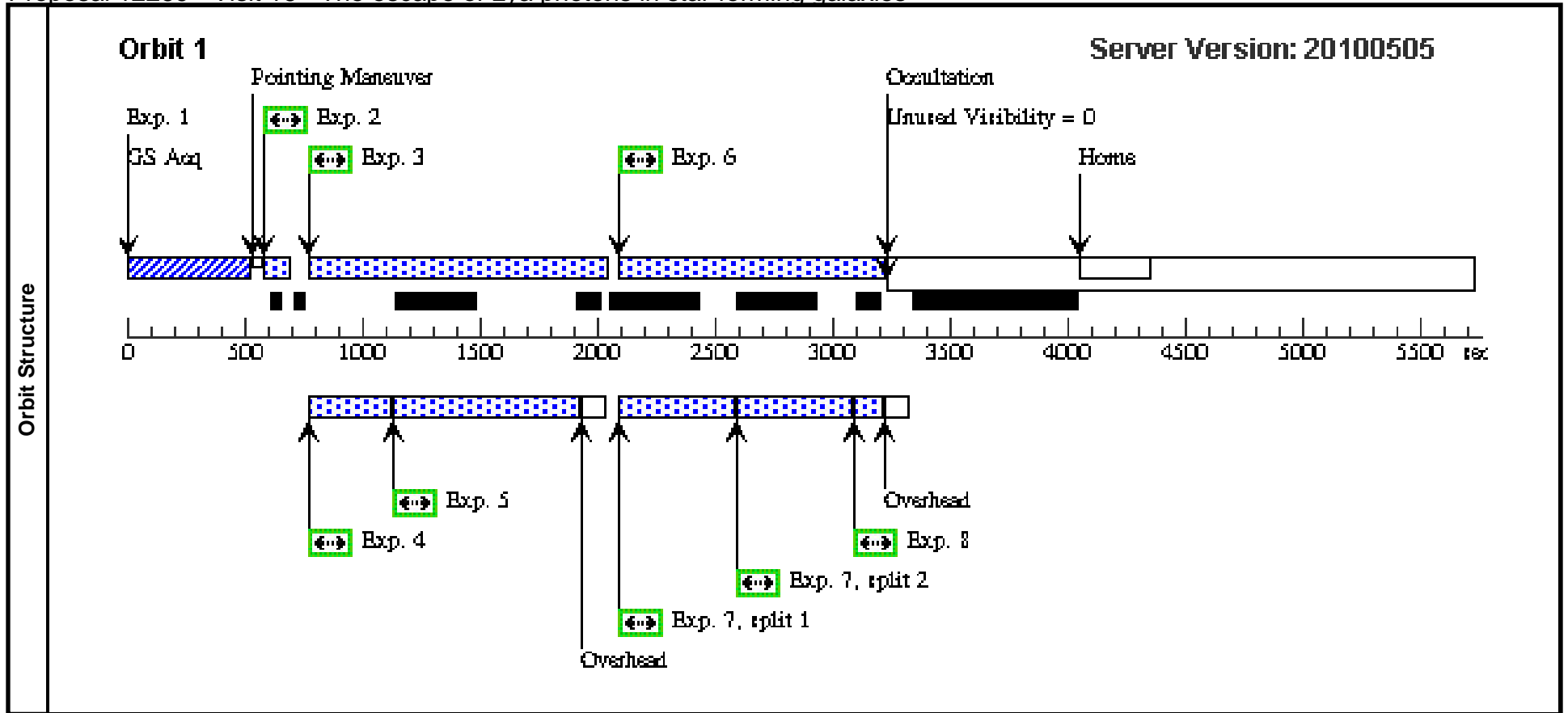
Visit	Proposal 12269, Visit 15, implementation Diagnostic Status: No Diagnostics Scientific Instruments: COS/NUV, COS/FUV, WFC3/UVIS Special Requirements: (none)									
	Fixed Targets	#	Name	Target Coordinates	Targ. Coord. Corrections	Fluxes	Miscellaneous			
	(16)	GALEX0331-2811	Offset from GALEX0331-2811-OFFSET by RA Offset: 0.0238514 Degrees Dec Offset: -78.252159 Arcsec		V=21.+/-0.200	Offset Position (GALEX0331-2811) Reference Frame: ICRS				
	(39)	GALEX0331-2811-OFFSET Alt Name1: S33T000076	RA: 03 31 45.1960 (52.9383167d) Dec: -28 10 2.40 (-28.16733d) Equinox: J2000		V=12.8+/-0.200	Reference Frame: ICRS				
Exposures	#	Label	Target	Config,Mode,Aperture	Spectral Els.	Opt. Params.	Special Reqs.	Groups	Exp. Time/[Actual Dur.]	Orbit
	1	TA	(39) GALEX0331-2811-OFFSET	COS/NUV, ACQ/IMAGE, PSA	MIRRORB				27 Secs [==>]	[1]
	2	science-1	(16) GALEX0331-2811	COS/NUV, ACCUM, PSA	MIRRORA				100 Secs [==>]	[1]
	3	science-2	(16) GALEX0331-2811	COS/FUV, TIME-TAG, PSA	G160M 1577 A		BUFFER-TIME=980; FLASH=YES; FP-POS=3; SEGMENT=BOTH		Prime + Parallel Group 3-5 1080 Secs [==>]	[1]
	4	direct imaging	ANY	WFC3/UVIS, ACCUM, G280-REF	F300X		CR-SPLIT=NO		Prime + Parallel Group 3-5 200 Secs [==>]	[1]
	5		ANY	WFC3/UVIS, ACCUM, UVIS	G280		CR-SPLIT=NO		Prime + Parallel Group 3-5 800 Secs [==>]	[1]
	6	science-3	(16) GALEX0331-2811	COS/FUV, TIME-TAG, PSA	G160M 1577 A		BUFFER-TIME=980; FLASH=YES; FP-POS=4; SEGMENT=BOTH		Prime + Parallel Group 6-8 1080 Secs [==>]	[1]
	7		ANY	WFC3/UVIS, ACCUM, UVIS	G280		CR-SPLIT=2		Prime + Parallel Group 6-8 750 Secs [==>(Split 1)] [==>(Split 2)]	[1]
	8	direct imaging	ANY	WFC3/UVIS, ACCUM, G280-REF	F300X		CR-SPLIT=NO		Prime + Parallel Group 6-8 100 Secs [==>]	[1]



Proposal 12269 - Visit 15 - The escape of Lya photons in star-forming galaxies

Wed Sep 29 01:18:15 GMT 2010

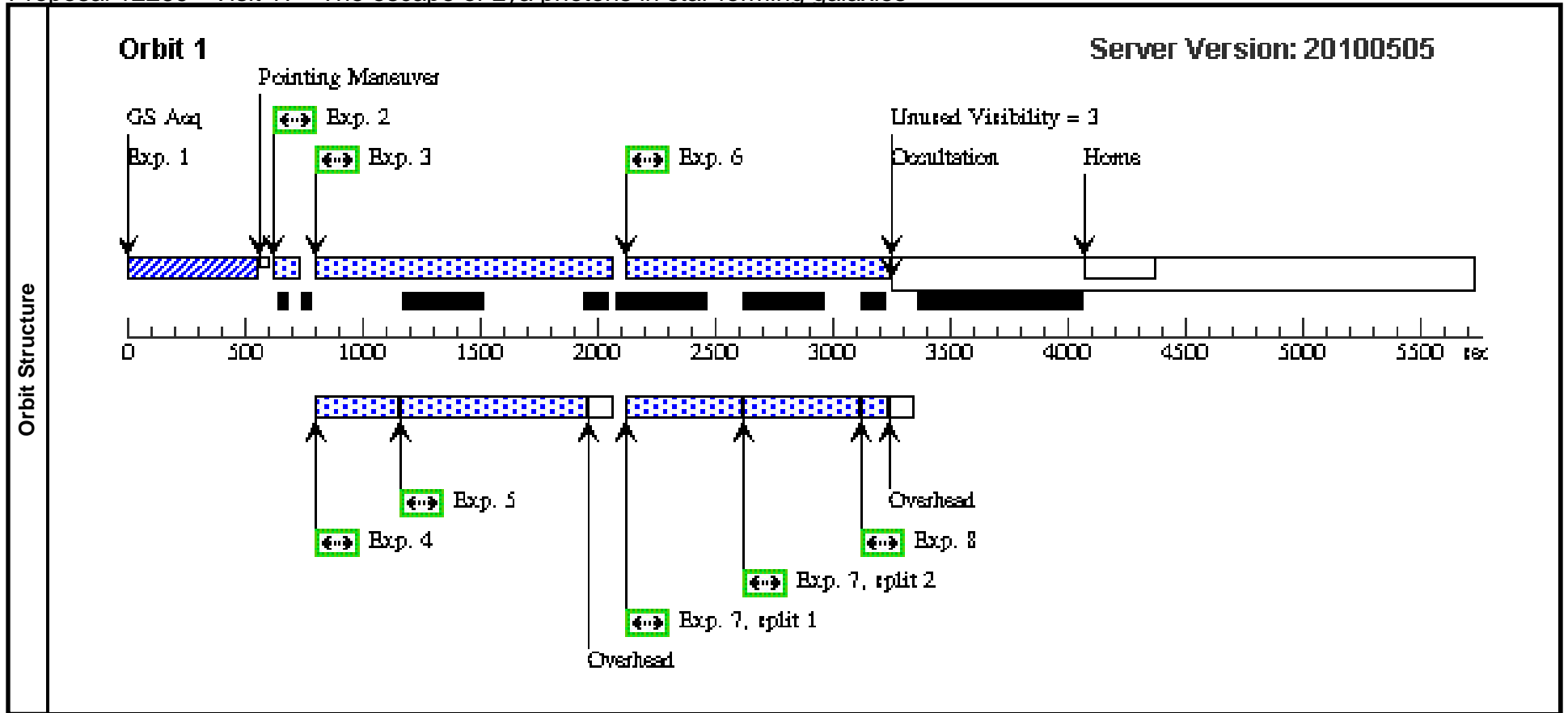
Visit		Proposal 12269, Visit 16, implementation Diagnostic Status: No Diagnostics Scientific Instruments: COS/NUV, COS/FUV, WFC3/UVIS Special Requirements: (none)								
Fixed Targets	#	Name	Target Coordinates	Targ. Coord. Corrections	Fluxes	Miscellaneous				
	(17)	GALEX0959+0151	Offset from GALEX0959+0151-OFFSET by RA Offset: -0.023913999 Degrees Dec Offset: -18.813599999 Arcsec		V=20.3+/-0.200	Offset Position (GALEX0959+0151) Reference Frame: ICRS				
	(40)	GALEX0959+0151-OFFSET Alt Name1: N6SV002152	RA: 09 59 46.0253 (149.9417721d) Dec: +01 51 40.42 (1.86123d) Equinox: J2000		V=15.5+/-0.200	Reference Frame: ICRS				
Exposures	#	Label	Target	Config,Mode,Aperture	Spectral Els.	Opt. Params.	Special Reqs.	Groups	Exp. Time/[Actual Dur.]	Orbit
	1	TA	(40) GALEX0959+0151-OFFSET	COS/NUV, ACQ/IMAGE, PSA	MIRRORA				58 Secs [==>]	[1]
	2	science-1	(17) GALEX0959+0151	COS/NUV, ACCUM, PSA	MIRRORA				100 Secs [==>]	[1]
	3	science-2	(17) GALEX0959+0151	COS/FUV, TIME-TAG, PSA	G160M 1623 A	BUFFER-TIME=960; FLASH=YES; FP-POS=3; SEGMENT=BOTH		Prime + Parallel Group 3-5	1060 Secs [==>]	[1]
	4	direct imaging	ANY	WFC3/UVIS, ACCUM, G280-REF	F300X	CR-SPLIT=NO		Prime + Parallel Group 3-5	200 Secs [==>]	[1]
	5		ANY	WFC3/UVIS, ACCUM, UVIS	G280	CR-SPLIT=NO		Prime + Parallel Group 3-5	780 Secs [==>]	[1]
	6	science-3	(17) GALEX0959+0151	COS/FUV, TIME-TAG, PSA	G160M 1623 A	BUFFER-TIME=975; FLASH=YES; FP-POS=4; SEGMENT=BOTH		Prime + Parallel Group 6-8	1075 Secs [==>]	[1]
	7		ANY	WFC3/UVIS, ACCUM, UVIS	G280	CR-SPLIT=2		Prime + Parallel Group 6-8	750 Secs [==>(Split 1)] [==>(Split 2)]	[1]
	8	direct imaging	ANY	WFC3/UVIS, ACCUM, G280-REF	F300X	CR-SPLIT=NO		Prime + Parallel Group 6-8	100 Secs [==>]	[1]



Proposal 12269 - Visit 16 - The escape of Ly α photons in star-forming galaxies

Wed Sep 29 01:18:15 GMT 2010

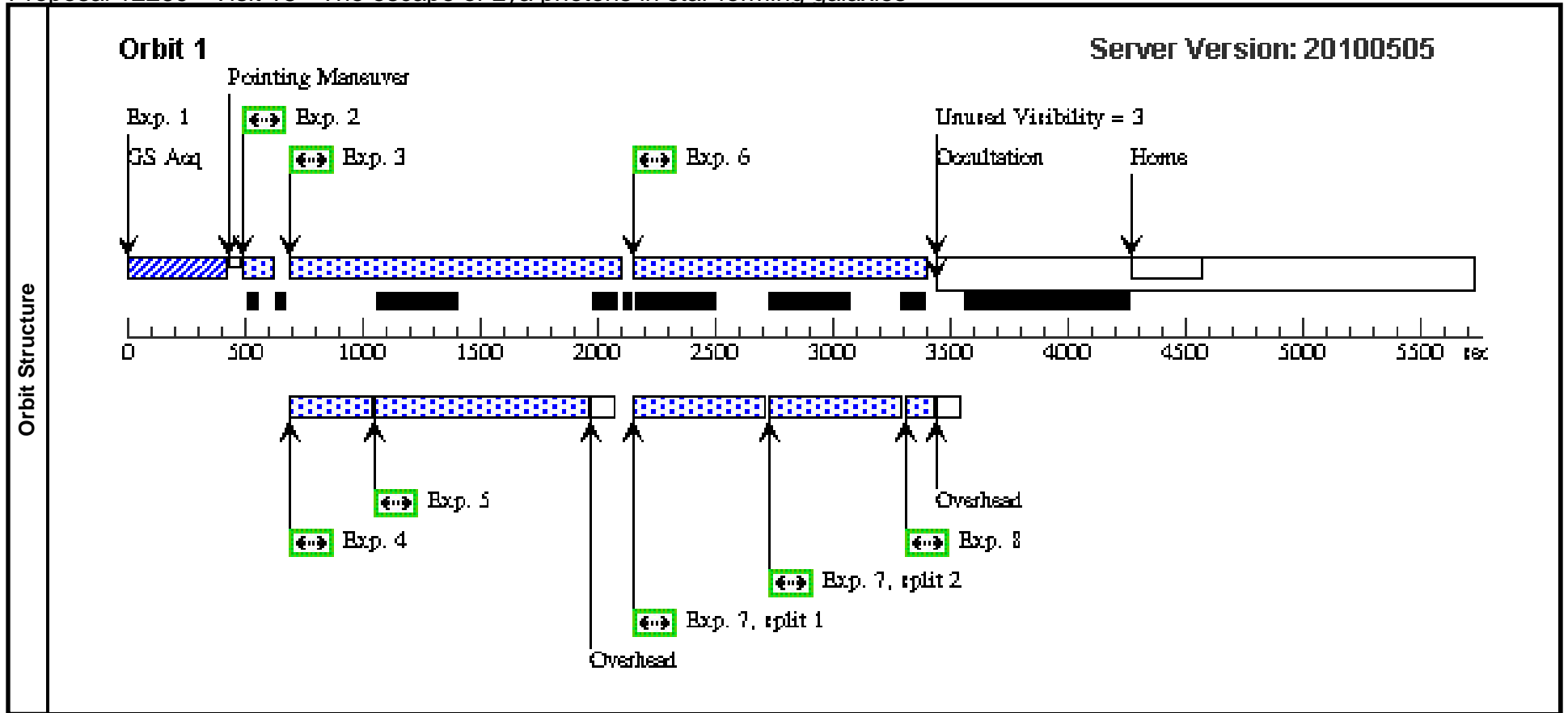
Visit		Proposal 12269, Visit 17, implementation Diagnostic Status: No Diagnostics Scientific Instruments: COS/NUV, COS/FUV, WFC3/UVIS Special Requirements: (none)								
Fixed Targets	#	Name	Target Coordinates	Targ. Coord. Corrections	Fluxes	Miscellaneous				
	(18)	GALEX0330-2816	Offset from GALEX0330-2816-OFFSET by RA Offset: 0.0034684499 Degrees Dec Offset: -79.268039999 Arcsec		V=21.110+/-0.200	Offset Position (GALEX0330-2816) Reference Frame: ICRS				
	(41)	GALEX0330-2816-OFFSET	RA: 03 30 56.1603 (52.7340012d) Dec: -28 15 27.00 (-28.25750d) Equinox: J2000		V=16.8+/-0.200	Reference Frame: ICRS				
Exposures	#	Label	Target	Config,Mode,Aperture	Spectral Els.	Opt. Params.	Special Reqs.	Groups	Exp. Time/[Actual Dur.]	Orbit
	1	TA	(41) GALEX0330-2816-OFFSET	COS/NUV, ACQ/IMAGE, PSA	MIRRORA				76 Secs [==>]	[1]
	2	science-1	(18) GALEX0330-2816	COS/NUV, ACCUM, PSA	MIRRORA				100 Secs [==>]	[1]
	3	science-2	(18) GALEX0330-2816	COS/FUV, TIME-TAG, PSA	G160M 1623 A		BUFFER-TIME=950; FLASH=YES; FP-POS=3; SEGMENT=BOTH	Prime + Parallel Group 3-5	1050 Secs [==>]	[1]
	4	direct imaging	ANY	WFC3/UVIS, ACCUM, G280-REF	F300X		CR-SPLIT=NO	Prime + Parallel Group 3-5	200 Secs [==>]	[1]
	5		ANY	WFC3/UVIS, ACCUM, UVIS	G280		CR-SPLIT=NO	Prime + Parallel Group 3-5	780 Secs [==>]	[1]
	6	science-3	(18) GALEX0330-2816	COS/FUV, TIME-TAG, PSA	G160M 1623 A		BUFFER-TIME=965; FLASH=YES; FP-POS=4; SEGMENT=BOTH	Prime + Parallel Group 6-8	1065 Secs [==>]	[1]
	7		ANY	WFC3/UVIS, ACCUM, UVIS	G280		CR-SPLIT=2	Prime + Parallel Group 6-8	750 Secs [==>(Split 1)] [==>(Split 2)]	[1]
	8	direct imaging	ANY	WFC3/UVIS, ACCUM, G280-REF	F300X		CR-SPLIT=NO	Prime + Parallel Group 6-8	90 Secs [==>]	[1]



Proposal 12269 - Visit 17 - The escape of Lya photons in star-forming galaxies

Wed Sep 29 01:18:15 GMT 2010

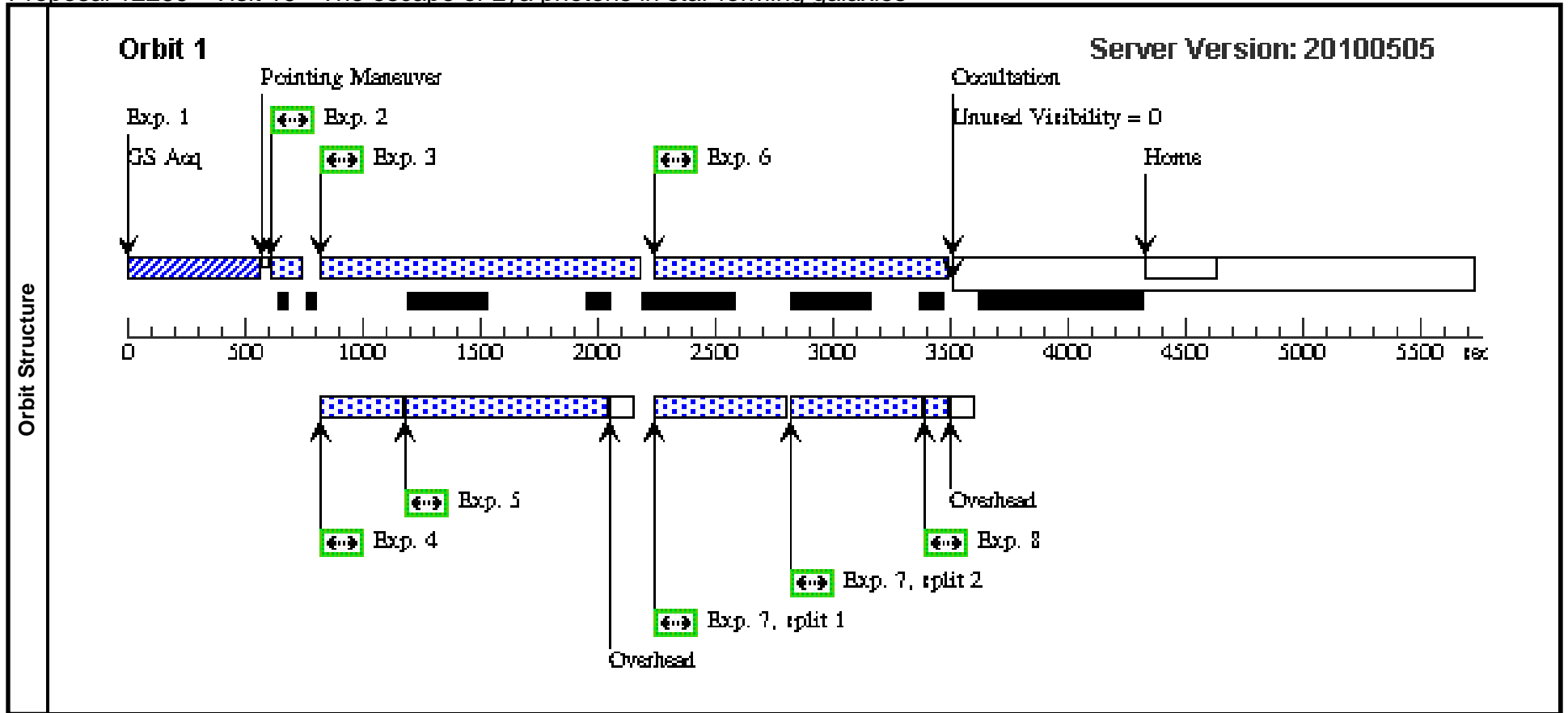
Visit	Proposal 12269, Visit 18, implementation Diagnostic Status: No Diagnostics Scientific Instruments: COS/NUV, COS/FUV, WFC3/UVIS Special Requirements: (none)									
	Fixed Targets	#	Name	Target Coordinates	Targ. Coord. Corrections	Fluxes	Miscellaneous			
	(19)	GALEX1420+5247	Offset from GALEX1420+5247-OFFSET by RA Offset: -0.0428848554750232 Degrees Dec Offset: 58.52976000000467 Arcsec		V=21.1+/-0.200	Offset Position (GALEX1420+5247) Reference Frame: ICRS				
	(42)	GALEX1420+5247-OFFSET Alt Name1: NSMV000310	RA: 14 20 41.9984 (215.1749933d) Dec: +52 46 58.30 (52.78286d) Equinox: J2000		V=14.18+/-0.200	Reference Frame: ICRS				
Exposures	#	Label	Target	Config,Mode,Aperture	Spectral Els.	Opt. Params.	Special Reqs.	Groups	Exp. Time/[Actual Dur.]	Orbit
	1	TA	(42) GALEX1420+5247-OFFSET	COS/NUV, ACQ/IMAGE, PSA	MIRRORA				8 Secs [==>]	[1]
	2	science-1	(19) GALEX1420+5247	COS/NUV, ACCUM, PSA	MIRRORA				120 Secs [==>]	[1]
	3	science-2	(19) GALEX1420+5247	COS/FUV, TIME-TAG, PSA	G160M 1623 A	BUFFER-TIME=1100; FLASH=YES; FP-POS=3; SEGMENT=BOTH		Prime + Parallel Group 3-5	1200 Secs [==>]	[1]
	4	direct imaging	ANY	WFC3/UVIS, ACCUM, G280-REF	F300X	CR-SPLIT=NO		Prime + Parallel Group 3-5	200 Secs [==>]	[1]
	5		ANY	WFC3/UVIS, ACCUM, UVIS	G280	CR-SPLIT=NO		Prime + Parallel Group 3-5	900 Secs [==>]	[1]
	6	science-3	(19) GALEX1420+5247	COS/FUV, TIME-TAG, PSA	G160M 1623 A	BUFFER-TIME=1100; FLASH=YES; FP-POS=4; SEGMENT=BOTH		Prime + Parallel Group 6-8	1200 Secs [==>]	[1]
	7		ANY	WFC3/UVIS, ACCUM, UVIS	G280	CR-SPLIT=2		Prime + Parallel Group 6-8	900 Secs [==>(Split 1)] [==>(Split 2)]	[1]
	8	direct imaging	ANY	WFC3/UVIS, ACCUM, G280-REF	F300X	CR-SPLIT=NO		Prime + Parallel Group 6-8	100 Secs [==>]	[1]



Proposal 12269 - Visit 18 - The escape of Lya photons in star-forming galaxies

Wed Sep 29 01:18:16 GMT 2010

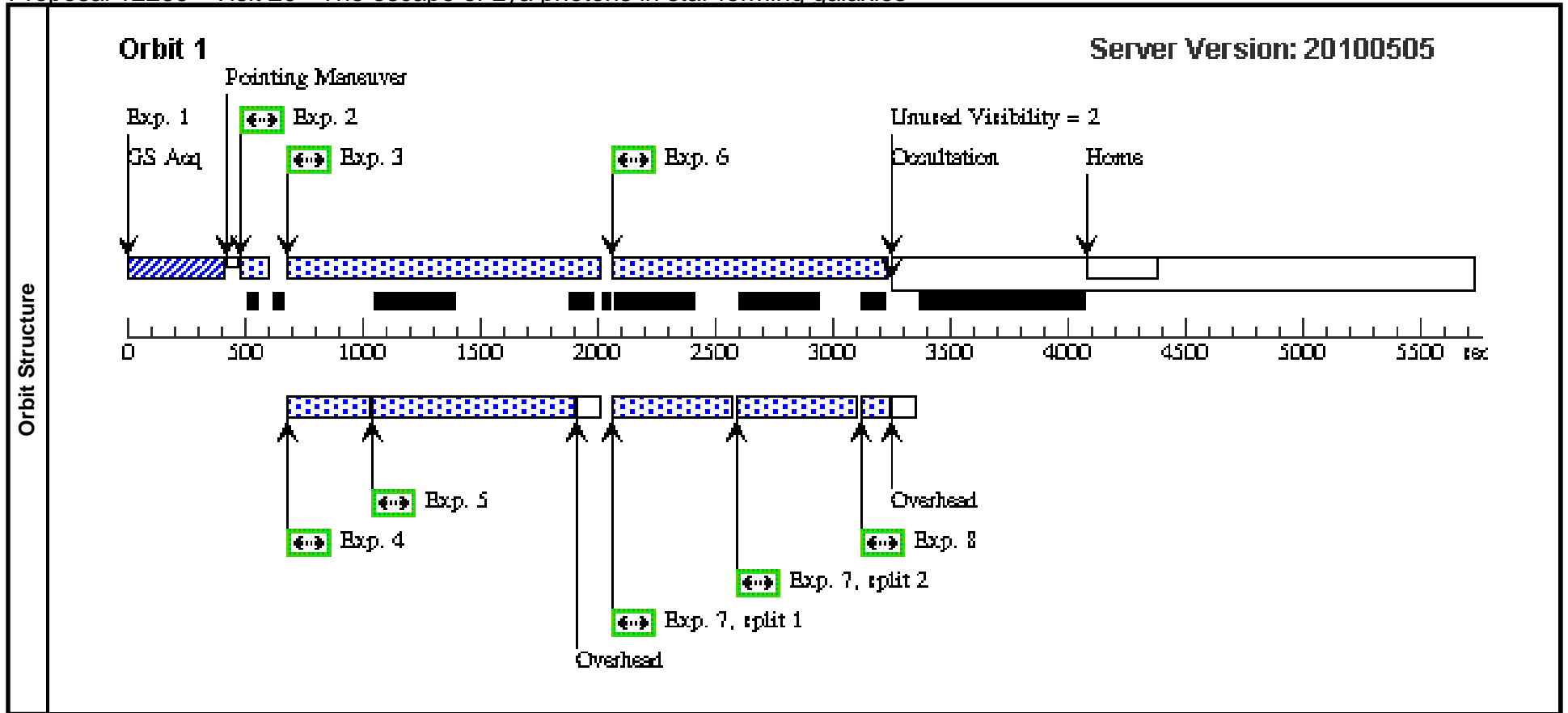
Visit		Proposal 12269, Visit 19, implementation Diagnostic Status: No Diagnostics Scientific Instruments: COS/NUV, COS/FUV, WFC3/UVIS Special Requirements: (none)								
Fixed Targets	#	Name	Target Coordinates	Targ. Coord. Corrections	Fluxes	Miscellaneous				
	(20)	GALEX1717+5944	Offset from GALEX1717+5944-OFFSET by RA Offset: -0.023061 Degrees Dec Offset: -13.662 Arcsec		V=19.95+/-0.200	Offset Position (GALEX1717+5944) Reference Frame: ICRS				
	(43)	GALEX1717+5944-OFFSET	RA: 17 17 57.1509 (259.4881288d) Dec: +59 45 7.92 (59.75220d) Equinox: J2000		V=14.48+/-0.200	Reference Frame: ICRS				
Exposures	#	Label	Target	Config,Mode,Aperture	Spectral Els.	Opt. Params.	Special Reqs.	Groups	Exp. Time/[Actual Dur.]	Orbit
	1	TA	(43) GALEX1717+5944-OFFSET	COS/NUV, ACQ/IMAGE, PSA	MIRRORA				80 Secs [==>]	[1]
	2	science-1	(20) GALEX1717+5944	COS/NUV, ACCUM, PSA	MIRRORA				120 Secs [==>]	[1]
	3	science-2	(20) GALEX1717+5944	COS/FUV, TIME-TAG, PSA	G160M 1589 A	BUFFER-TIME=950; FLASH=YES; FP-POS=3; SEGMENT=BOTH		Prime + Parallel Group 3-5	1150 Secs [==>]	[1]
	4	direct imaging	ANY	WFC3/UVIS, ACCUM, G280-REF	F300X	CR-SPLIT=NO		Prime + Parallel Group 3-5	200 Secs [==>]	[1]
	5		ANY	WFC3/UVIS, ACCUM, UVIS	G280	CR-SPLIT=NO		Prime + Parallel Group 3-5	850 Secs [==>]	[1]
	6	science-3	(20) GALEX1717+5944	COS/FUV, TIME-TAG, PSA	G160M 1589 A	BUFFER-TIME=1100; FLASH=YES; FP-POS=4; SEGMENT=BOTH		Prime + Parallel Group 6-8	1200 Secs [==>]	[1]
	7		ANY	WFC3/UVIS, ACCUM, UVIS	G280	CR-SPLIT=2		Prime + Parallel Group 6-8	900 Secs [==>(Split 1)] [==>(Split 2)]	[1]
8	direct imaging	ANY	WFC3/UVIS, ACCUM, G280-REF	F300X	CR-SPLIT=NO		Prime + Parallel Group 6-8	80 Secs [==>]	[1]	



Proposal 12269 - Visit 19 - The escape of Lya photons in star-forming galaxies

Wed Sep 29 01:18:16 GMT 2010

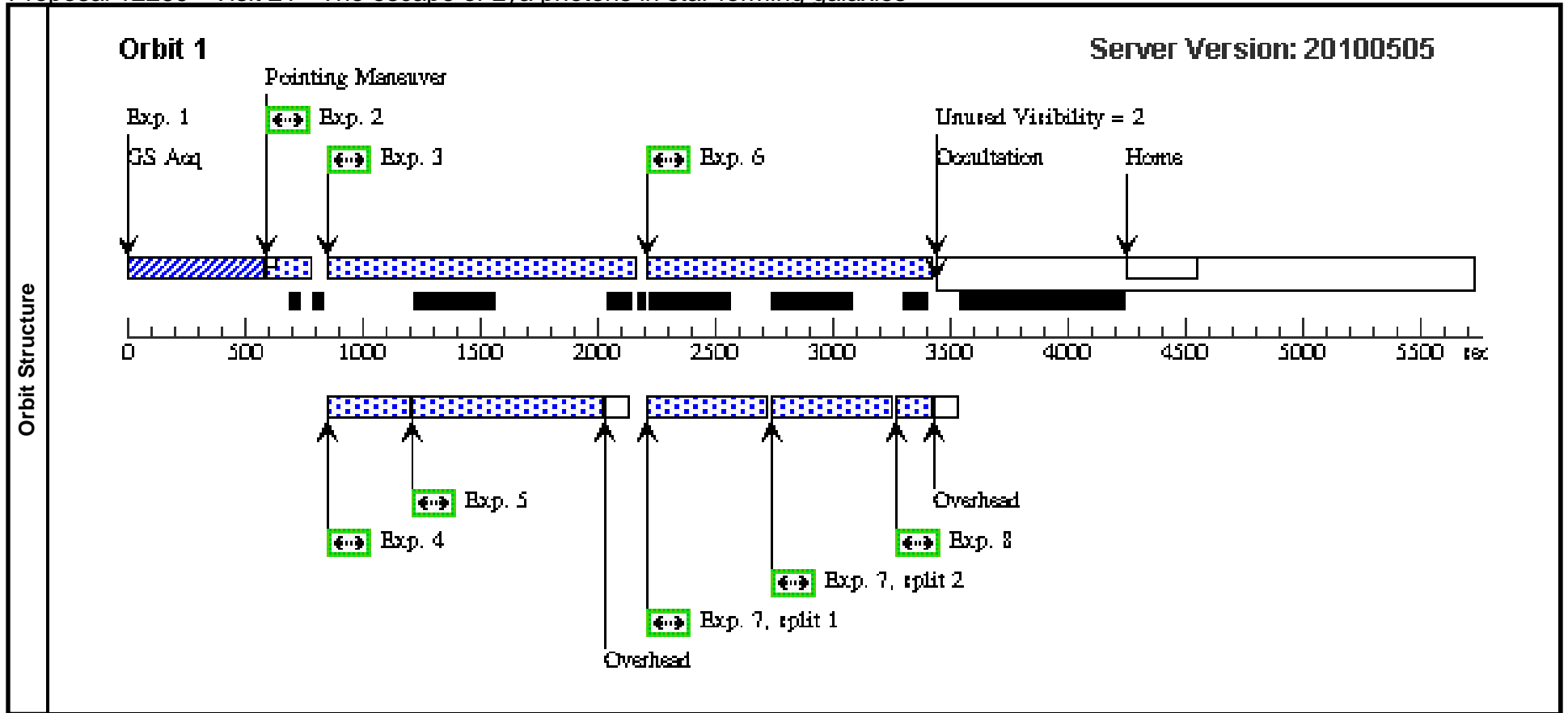
Visit		Proposal 12269, Visit 20, implementation Diagnostic Status: No Diagnostics Scientific Instruments: COS/NUV, COS/FUV, WFC3/UVIS Special Requirements: (none)								
Fixed Targets	#	Name	Target Coordinates	Targ. Coord. Corrections	Fluxes	Miscellaneous				
	(22)	GALEX0333-2821	Offset from GALEX0333-2821-OFFSET by RA Offset: -0.032741637089579 Degrees Dec Offset: -24.0788 Arcsec		V=21.080+/-0.200	Offset Position (GALEX0333-2821) Reference Frame: ICRS				
	(44)	GALEX0333-2821-OFFSET Alt Name1: S33T000300	RA: 03 33 9.9160 (53.2913167d) Dec: -28 21 3.49 (-28.35097d) Equinox: J2000		V=11.7+/-0.200	Reference Frame: ICRS				
Exposures	#	Label	Target	Config,Mode,Aperture	Spectral Els.	Opt. Params.	Special Reqs.	Groups	Exp. Time/[Actual Dur.]	Orbit
	1	TA	(44) GALEX0333-2821-OFFSET	COS/NUV, ACQ/IMAGE, PSA	MIRRORA				6 Secs [==>]	[1]
	2	science-1	(22) GALEX0333-2821	COS/NUV, ACCUM, PSA	MIRRORA				110 Secs [==>]	[1]
	3	science-2	(22) GALEX0333-2821	COS/FUV, TIME-TAG, PSA	G160M 1623 A	BUFFER-TIME=10 20; FLASH=YES; FP-POS=3; SEGMENT=BOTH		Prime + Parallel Group 3-5	1120 Secs [==>]	[1]
	4	direct imaging	ANY	WFC3/UVIS, ACCUM, G280-REF	F300X	CR-SPLIT=NO		Prime + Parallel Group 3-5	200 Secs [==>]	[1]
	5		ANY	WFC3/UVIS, ACCUM, UVIS	G280	CR-SPLIT=NO		Prime + Parallel Group 3-5	850 Secs [==>]	[1]
	6	science-3	(22) GALEX0333-2821	COS/FUV, TIME-TAG, PSA	G160M 1623 A	BUFFER-TIME=10 20; FLASH=YES; FP-POS=4; SEGMENT=BOTH		Prime + Parallel Group 6-8	1120 Secs [==>]	[1]
	7		ANY	WFC3/UVIS, ACCUM, UVIS	G280	CR-SPLIT=2		Prime + Parallel Group 6-8	800 Secs [==>(Split 1)] [==>(Split 2)]	[1]
8	direct imaging	ANY	WFC3/UVIS, ACCUM, G280-REF	F300X	CR-SPLIT=NO		Prime + Parallel Group 6-8	100 Secs [==>]	[1]	



Proposal 12269 - Visit 20 - The escape of Ly α photons in star-forming galaxies

Wed Sep 29 01:18:16 GMT 2010

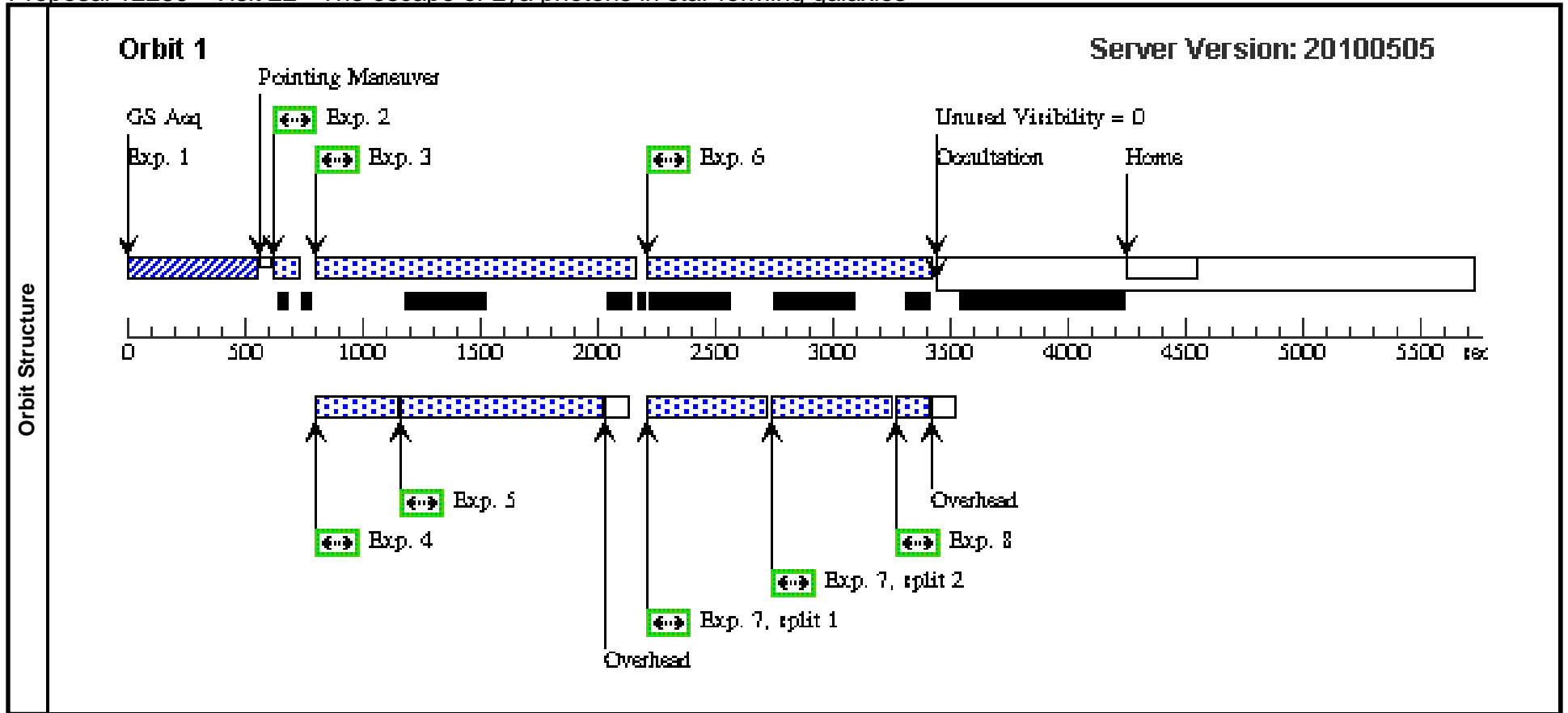
Visit		Proposal 12269, Visit 21, implementation Diagnostic Status: No Diagnostics Scientific Instruments: COS/NUV, COS/FUV, WFC3/UVIS Special Requirements: (none)								
Fixed Targets	#	Name	Target Coordinates	Targ. Coord. Corrections	Fluxes	Miscellaneous				
	(23)	GALEX1419+5315	Offset from GALEX1419+5315-OFFSET by RA Offset: 0.0430077 Degrees Dec Offset: -16.71559999 Arcsec		V=18.1+/-0.2	Offset Position (GALEX1419+5315) Reference Frame: ICRS				
	(45)	GALEX1419+5315-OFFSET	RA: 14 19 0.3979 (214.7516579d) Dec: +53 16 13.47 (53.27041d) Equinox: J2000		V=13.08+/-0.2	Reference Frame: ICRS				
Exposures	#	Label	Target	Config,Mode,Aperture	Spectral Els.	Opt. Params.	Special Reqs.	Groups	Exp. Time/[Actual Dur.]	Orbit
	1	TA	(45) GALEX1419+5315-OFFSET	COS/NUV, ACQ/IMAGE, PSA	MIRRORB				75 Secs [==>]	[1]
	2	science-1	(23) GALEX1419+5315	COS/NUV, ACCUM, PSA	MIRRORA				100 Secs [==>]	[1]
	3	science-2	(23) GALEX1419+5315	COS/FUV, TIME-TAG, PSA	G160M 1623 A	BUFFER-TIME=1000; FLASH=YES; FP-POS=3; SEGMENT=BOTH		Prime + Parallel Group 3-5	1100 Secs [==>]	[1]
	4	direct imaging	ANY	WFC3/UVIS, ACCUM, G280-REF	F300X	CR-SPLIT=NO		Prime + Parallel Group 3-5	200 Secs [==>]	[1]
	5		ANY	WFC3/UVIS, ACCUM, UVIS	G280	CR-SPLIT=NO		Prime + Parallel Group 3-5	800 Secs [==>]	[1]
	6	science-3	(23) GALEX1419+5315	COS/FUV, TIME-TAG, PSA	G160M 1623 A	BUFFER-TIME=1060; FLASH=YES; FP-POS=4; SEGMENT=BOTH		Prime + Parallel Group 6-8	1160 Secs [==>]	[1]
	7		ANY	WFC3/UVIS, ACCUM, UVIS	G280	CR-SPLIT=2		Prime + Parallel Group 6-8	800 Secs [==>(Split 1)] [==>(Split 2)]	[1]
	8	direct imaging	ANY	WFC3/UVIS, ACCUM, G280-REF	F300X	CR-SPLIT=NO		Prime + Parallel Group 6-8	130 Secs [==>]	[1]



Proposal 12269 - Visit 21 - The escape of Ly α photons in star-forming galaxies

Wed Sep 29 01:18:17 GMT 2010

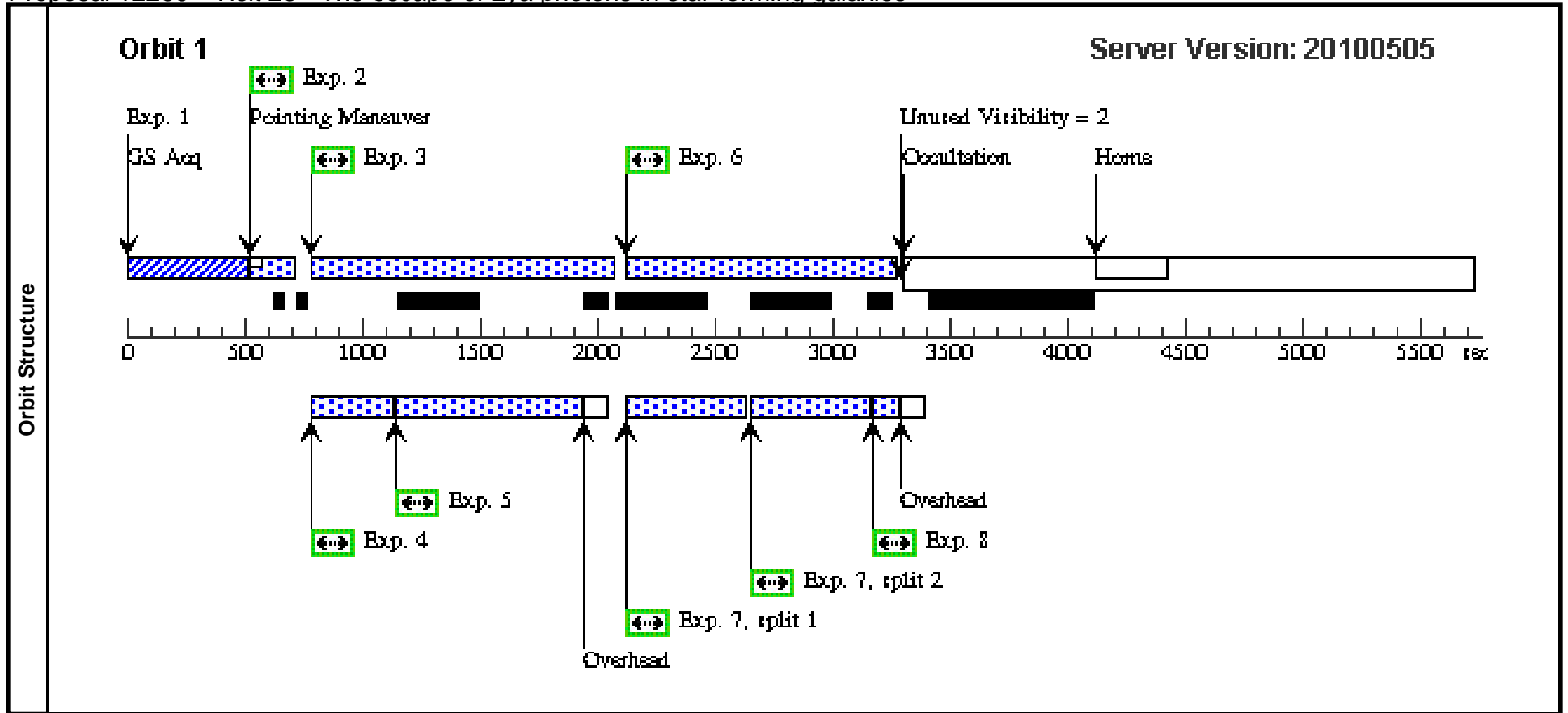
Visit		Proposal 12269, Visit 22, implementation Diagnostic Status: No Diagnostics Scientific Instruments: COS/NUV, COS/FUV, WFC3/UVIS Special Requirements: (none)								
Fixed Targets	#	Name	Target Coordinates	Targ. Coord. Corrections	Fluxes	Miscellaneous				
	(24)	GALEX1418+5218	Offset from GALEX1418+5218-OFFSET by RA Offset: 0.0448044811952286 Degrees Dec Offset: 1.645480000133218 Arcsec		V=21.7+/-0.2	Offset Position (GALEX1418+5218) Reference Frame: ICRS				
	(46)	GALEX1418+5218-OFFSET	RA: 14 18 11.6636 (214.5485983d) Dec: +52 18 20.82 (52.30578d) Equinox: J2000		V=15.22+/-0.2	Reference Frame: ICRS				
Exposures	#	Label	Target	Config,Mode,Aperture	Spectral Els.	Opt. Params.	Special Reqs.	Groups	Exp. Time/[Actual Dur.]	Orbit
	1	TA	(46) GALEX1418+5218-OFFSET	COS/NUV, ACQ/IMAGE, PSA	MIRRORA				75 Secs [==>]	[1]
	2	science-1	(24) GALEX1418+5218	COS/NUV, ACCUM, PSA	MIRRORA				100 Secs [==>]	[1]
	3	science-2	(24) GALEX1418+5218	COS/FUV, TIME-TAG, PSA	G160M 1623 A	BUFFER-TIME=10 50; FLASH=YES; FP-POS=3; SEGMENT=BOTH		Prime + Parallel Group 3-5	1150 Secs [==>]	[1]
	4	direct imaging	ANY	WFC3/UVIS, ACCUM, G280-REF	F300X	CR-SPLIT=NO		Prime + Parallel Group 3-5	200 Secs [==>]	[1]
	5		ANY	WFC3/UVIS, ACCUM, UVIS	G280	CR-SPLIT=NO		Prime + Parallel Group 3-5	850 Secs [==>]	[1]
	6	science-3	(24) GALEX1418+5218	COS/FUV, TIME-TAG, PSA	G160M 1623 A	BUFFER-TIME=10 60; FLASH=YES; FP-POS=4; SEGMENT=BOTH		Prime + Parallel Group 6-8	1160 Secs [==>]	[1]
	7		ANY	WFC3/UVIS, ACCUM, UVIS	G280	CR-SPLIT=2		Prime + Parallel Group 6-8	800 Secs [==>(Split 1)] [==>(Split 2)]	[1]
8	direct imaging	ANY	WFC3/UVIS, ACCUM, G280-REF	F300X	CR-SPLIT=NO		Prime + Parallel Group 6-8	120 Secs [==>]	[1]	



Proposal 12269 - Visit 22 - The escape of Lya photons in star-forming galaxies

Wed Sep 29 01:18:17 GMT 2010

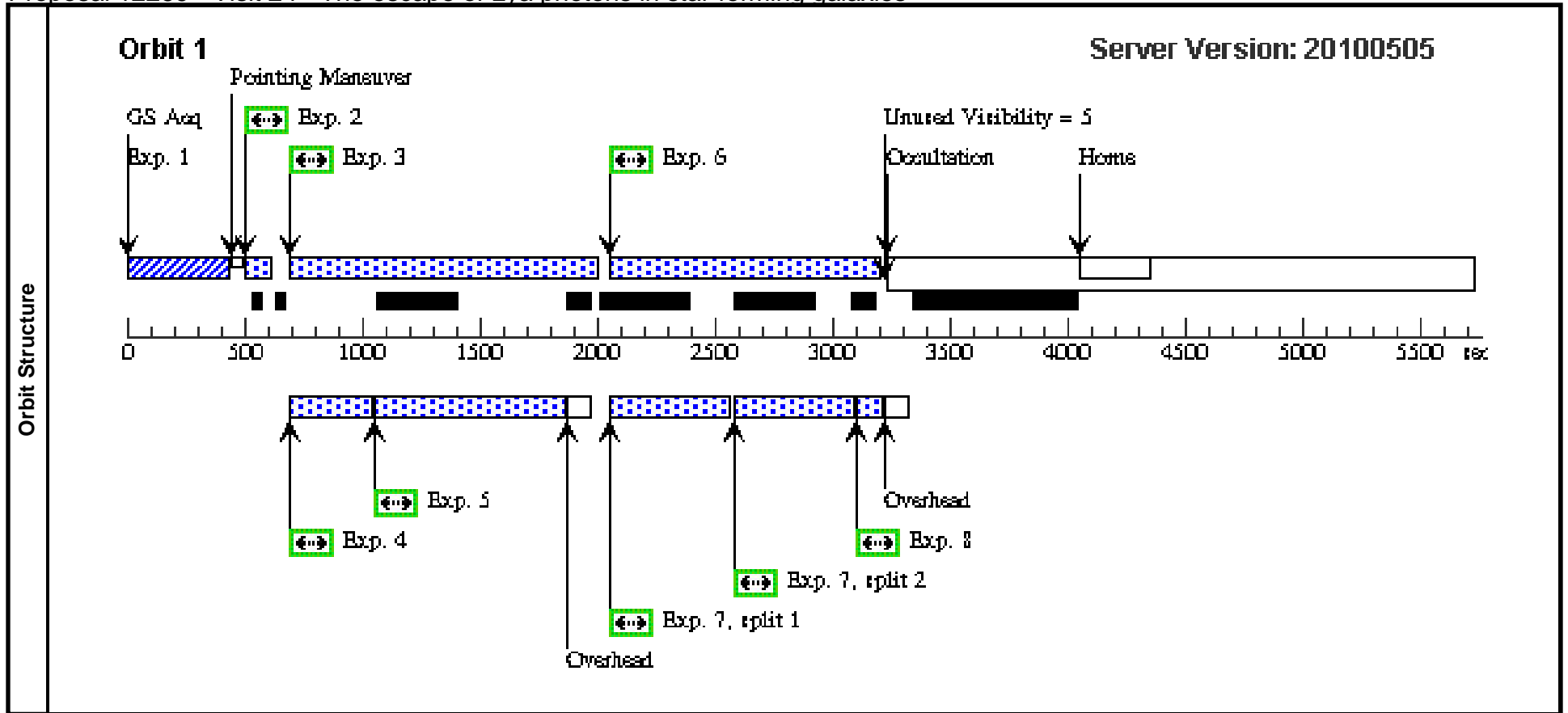
Visit		Proposal 12269, Visit 23, implementation Diagnostic Status: No Diagnostics Scientific Instruments: COS/NUV, COS/FUV, WFC3/UVIS Special Requirements: (none)								
Fixed Targets	#	Name	Target Coordinates	Targ. Coord. Corrections	Fluxes	Miscellaneous				
	(25)	GALEX1434+3532	Offset from GALEX1434+3532-OFFSET by RA Offset: 0.0192525579627727 Degrees Dec Offset: -78.0576 Arcsec		V=21.1+/-0.2	Offset Position (GALEX1434+3532) Reference Frame: ICRS				
	(26)	GALEX1434+3532-OFFSET Alt Name1: N69Y000251	RA: 14 34 47.7542 (218.6989758d) Dec: +35 34 9.18 (35.56922d) Equinox: J2000		V=10.6+/-0.2	Reference Frame: ICRS				
Exposures	#	Label	Target	Config,Mode,Aperture	Spectral Els.	Opt. Params.	Special Reqs.	Groups	Exp. Time/[Actual Dur.]	Orbit
	1	TA	(26) GALEX1434+3532-OFFSET	COS/NUV, ACQ/IMAGE, PSA	MIRRORB				39 Secs [==>]	[1]
	2	science-1	(25) GALEX1434+3532	COS/NUV, ACCUM, PSA	MIRRORA				100 Secs [==>]	[1]
	3	science-2	(25) GALEX1434+3532	COS/FUV, TIME-TAG, PSA	G160M 1577 A	BUFFER-TIME=980; FLASH=YES; FP-POS=3; SEGMENT=BOTH		Prime + Parallel Group 3-5	1080 Secs [==>]	[1]
	4	direct imaging	ANY	WFC3/UVIS, ACCUM, G280-REF	F300X	CR-SPLIT=NO		Prime + Parallel Group 3-5	200 Secs [==>]	[1]
	5		ANY	WFC3/UVIS, ACCUM, UVIS	G280	CR-SPLIT=NO		Prime + Parallel Group 3-5	780 Secs [==>]	[1]
	6	science-3	(25) GALEX1434+3532	COS/FUV, TIME-TAG, PSA	G160M 1577 A	BUFFER-TIME=1000; FLASH=YES; FP-POS=4; SEGMENT=BOTH		Prime + Parallel Group 6-8	1100 Secs [==>]	[1]
	7		ANY	WFC3/UVIS, ACCUM, UVIS	G280	CR-SPLIT=2		Prime + Parallel Group 6-8	800 Secs [==>(Split 1)] [==>(Split 2)]	[1]
8	direct imaging	ANY	WFC3/UVIS, ACCUM, G280-REF	F300X	CR-SPLIT=NO		Prime + Parallel Group 6-8	90 Secs [==>]	[1]	



Proposal 12269 - Visit 23 - The escape of Lya photons in star-forming galaxies

Wed Sep 29 01:18:17 GMT 2010

Visit		Proposal 12269, Visit 24, implementation Diagnostic Status: No Diagnostics Scientific Instruments: COS/NUV, COS/FUV, WFC3/UVIS Special Requirements: (none)								
Fixed Targets	#	Name	Target Coordinates	Targ. Coord. Corrections	Fluxes	Miscellaneous				
		(47)	GALEX1000+0157-OFFSET Alt Name1: N6SV002695	RA: 10 00 25.2509 (150.1052121d) Dec: +01 58 52.03 (1.98112d) Equinox: J2000		V=17.74+/-0.1	Reference Frame: ICRS			
	(48)	GALEX1000+0157	Offset from GALEX1000+0157-OFFSET by RA Offset: 0.0104581375998691 Degrees Dec Offset: -107.978479999 Arcsec		V=20.7+/-0.1	Offset Position (GALEX1000+0157) Reference Frame: ICRS				
Exposures	#	Label	Target	Config,Mode,Aperture	Spectral Els.	Opt. Params.	Special Reqs.	Groups	Exp. Time/[Actual Dur.]	Orbit
	1	TA	(47) GALEX1000+0157-OFFSET	COS/NUV, ACQ/IMAGE, PSA	MIRRORA				16 Secs [==>]	[1]
	2	science-1	(48) GALEX1000+0157	COS/NUV, ACCUM, PSA	MIRRORA				100 Secs [==>]	[1]
	3	science-2	(48) GALEX1000+0157	COS/FUV, TIME-TAG, PSA	G160M 1623 A	BUFFER-TIME=1000; FLASH=YES; FP-POS=3; SEGMENT=BOTH		Prime + Parallel Group 3-5	1100 Secs [==>]	[1]
	4	direct imaging	ANY	WFC3/UVIS, ACCUM, G280-REF	F300X	CR-SPLIT=NO		Prime + Parallel Group 3-5	200 Secs [==>]	[1]
	5		ANY	WFC3/UVIS, ACCUM, UVIS	G280	CR-SPLIT=NO		Prime + Parallel Group 3-5	800 Secs [==>]	[1]
	6	science-3	(48) GALEX1000+0157	COS/FUV, TIME-TAG, PSA	G160M 1623 A	BUFFER-TIME=1000; FLASH=YES; FP-POS=4; SEGMENT=BOTH		Prime + Parallel Group 6-8	1100 Secs [==>]	[1]
	7		ANY	WFC3/UVIS, ACCUM, UVIS	G280	CR-SPLIT=2		Prime + Parallel Group 6-8	800 Secs [==>(Split 1)] [==>(Split 2)]	[1]
8	direct imaging	ANY	WFC3/UVIS, ACCUM, G280-REF	F300X	CR-SPLIT=NO		Prime + Parallel Group 6-8	90 Secs [==>]	[1]	



Proposal 12269 - Visit 24 - The escape of Lya photons in star-forming galaxies

Wed Sep 29 01:18:18 GMT 2010

Visit		Proposal 12269, Visit 25, implementation Diagnostic Status: No Diagnostics Scientific Instruments: COS/NUV, COS/FUV, WFC3/UVIS Special Requirements: (none)								
Fixed Targets	#	Name	Target Coordinates	Targ. Coord. Corrections	Fluxes	Miscellaneous				
	(49)	GALEX1423+5246-OFFSET Alt Name1: N5MV002547	RA: 14 23 4.1675 (215.7673646d) Dec: +52 46 29.83 (52.77495d) Equinox: J2000		V=18.4+/-0.1	Reference Frame: ICRS				
	(50)	GALEX1423+5246	Offset from GALEX1423+5246-OFFSET by RA Offset: 0.0086269999 Degrees Dec Offset: 17.18639999991 Arcsec		V=21.+/-0.1	Offset Position (GALEX1423+5246) Reference Frame: ICRS				
Exposures	#	Label	Target	Config,Mode,Aperture	Spectral Els.	Opt. Params.	Special Reqs.	Groups	Exp. Time/[Actual Dur.]	Orbit
	1	TA	(49) GALEX1423+5246-OFFSET	COS/NUV, ACQ/IMAGE, PSA	MIRRORA				15 Secs [==>]	[1]
	2	science-1	(50) GALEX1423+5246	COS/NUV, ACCUM, PSA	MIRRORA				100 Secs [==>]	[1]
	3	science-2	(50) GALEX1423+5246	COS/FUV, TIME-TAG, PSA	G160M 1577 A	BUFFER-TIME=1120; FLASH=YES; FP-POS=3; SEGMENT=BOTH		Prime + Parallel Group 3-5	1220 Secs [==>]	[1]
	4	direct imaging	ANY	WFC3/UVIS, ACCUM, G280-REF	F300X	CR-SPLIT=NO		Prime + Parallel Group 3-5	200 Secs [==>]	[1]
	5		ANY	WFC3/UVIS, ACCUM, UVIS	G280	CR-SPLIT=NO		Prime + Parallel Group 3-5	950 Secs [==>]	[1]
	6	science-3	(50) GALEX1423+5246	COS/FUV, TIME-TAG, PSA	G160M 1577 A	BUFFER-TIME=1120; FLASH=YES; FP-POS=4; SEGMENT=BOTH		Prime + Parallel Group 6-8	1220 Secs [==>]	[1]
	7		ANY	WFC3/UVIS, ACCUM, UVIS	G280	CR-SPLIT=2		Prime + Parallel Group 6-8	900 Secs [==>(Split 1)] [==>(Split 2)]	[1]
	8	direct imaging	ANY	WFC3/UVIS, ACCUM, G280-REF	F300X	CR-SPLIT=NO		Prime + Parallel Group 6-8	90 Secs [==>]	[1]

