



12587 - Winds of very low metallicity OB stars: crossing the frontier of the Magellanic Clouds

Cycle: 19, Proposal Category: GO

(Availability Mode: SUPPORTED)

INVESTIGATORS

<i>Name</i>	<i>Institution</i>	<i>E-Mail</i>
Dr. Miriam Garcia (PI) (ESA Member)	Instituto de Astrofisica de Canarias	mgg@iac.es
Dr. Artemio Herrero (CoI) (ESA Member)	Instituto de Astrofisica de Canarias	ahd@ll.iac.es
Dr. Daniel J. Lennon (CoI) (ESA Member)	Space Telescope Science Institute - ESA	lennon@stsci.edu
Dr. Miguel Alejandro Urbaneja (CoI) (AdminUSPI)	University of Hawaii	urbaneja@ifa.hawaii.edu
Dr. Francisco Najarro (CoI) (ESA Member)	Centro de Astrobiologia (CSIC/INTA) Inst. Nac. de T ec. Aero.	najarro@cab.inta-csic.es
Dr. Norberto Castro (CoI) (ESA Member)	National Observatory of Athens	norberto@noa.gr

VISITS

<i>Visit</i>	<i>Targets used in Visit</i>	<i>Configurations used in Visit</i>	<i>Orbits Used</i>	<i>Last Orbit Planner Run</i>	<i>OP Current with Visit?</i>
01	(1) IC1613-010506-021043 ANY	COS/FUV COS/NUV WFC3/UVIS	3	03-Apr-2012 21:30:47.0	yes
02	(2) IC1613-010503-021004 ANY	COS/FUV COS/NUV WFC3/UVIS	2	03-Apr-2012 21:31:09.0	yes
03	(2) IC1613-010503-021004 ANY	COS/FUV COS/NUV WFC3/UVIS	2	03-Apr-2012 21:31:23.0	yes

<i>Visit</i>	<i>Targets used in Visit</i>	<i>Configurations used in Visit</i>	<i>Orbits Used</i>	<i>Last Orbit Planner Run</i>	<i>OP Current with Visit?</i>
04	(3) IC1613-010501-020849 ANY	COS/FUV COS/NUV WFC3/UVIS	5	03-Apr-2012 21:31:58.0	yes
05	(4) IC1613-010505-020923 ANY	COS/FUV COS/NUV WFC3/UVIS	3	03-Apr-2012 21:32:29.0	yes
06	(5) IC1613-010502-020805 ANY	COS/FUV COS/NUV WFC3/UVIS	2	03-Apr-2012 21:32:44.0	yes
07	(6) IC1613-010501-021041	COS/FUV	2	03-Apr-2012 21:32:55.0	yes
08	(7) IC1613-010506-020931	COS/FUV	2	03-Apr-2012 21:33:04.0	yes
09	(8) IC1613-010460-020916 ANY	COS/FUV WFC3/UVIS	2	03-Apr-2012 21:33:19.0	yes

23 Total Orbits Used

ABSTRACT

Very low metallicity massive stars are a key ingredient for our understanding of the early Universe because of their connection with the dominant conditions at that time, the reionization epoch and long-GRBs. In the studies of massive stars radiation driven winds play a crucial manifold role, being a chief agent of stellar evolution, altering the optical diagnostics for parameter determination and injecting radiative and mechanical energy into their surroundings. However, the theory of radiation driven winds has only been tested down to SMC metallicities and some important open questions remain: the existence of solar-metallicity stars with weak winds and very recent evidence of relatively strong winds in metal-poor stars.

We have secured VLT optical spectra of a sample of early-type massive stars in IC 1613, a very metal poor ($\sim < 0.1Z_{\odot}$) irregular galaxy of the Local Group that represents the next step towards low metallicities after the SMC. We request low resolution COS spectra (COS/FUV-G140L) of a sub-set of OB stars probing different wind regimes. The wind lines in the 1150-1800Å range, together with the optical spectra, will allow us to derive consistently the photospheric and wind parameters of the sample. Results will be interpreted in the context of both evolutionary and radiatively driven winds theories, testing the current paradigm at unexplored low metallicities and increasing our knowledge of massive stars under conditions closer to those of the deep Universe.

COS enhanced sensitivity will allow us to perform for the first time detailed studies of ****resolved**** OB stars in an environment with poorer metal content than the SMC.

OBSERVING DESCRIPTION

This proposal consists of COS/FUV spectroscopy of O and early-B stars in a Local Group Galaxy, IC1613.

All targets are visited once (except for target-2, which is visited twice).

All visits consist of 2 or more orbits, to accumulate exposure time.

The configuration is PSA, G140L, and central-lambda=1105, SEGMENT-A (B is off).

All FP-POS are used, but less Texp is given to FP-POS=1 since in this configuration the blue edge of the P-Cygni of CIII1176 may be lost if the terminal velocity was high.

The astrometry of the targets is accurate, and ACQ/IMH is preferred; for the brightest targets, PEAKXD+PEAKD are used.

Parallels consist of WFC3/UVIS imaging of interesting positions of the galaxy, but using orient angles that do not hamper schedulability. The use of wide filters has higher priority, and narrow filters are used if enough time is spent in the visit.

Proposal 12587 - Visit 01 - Winds of very low metallicity OB stars: crossing the frontier of the Magellanic Clouds

Wed Apr 04 01:33:28 GMT 2012

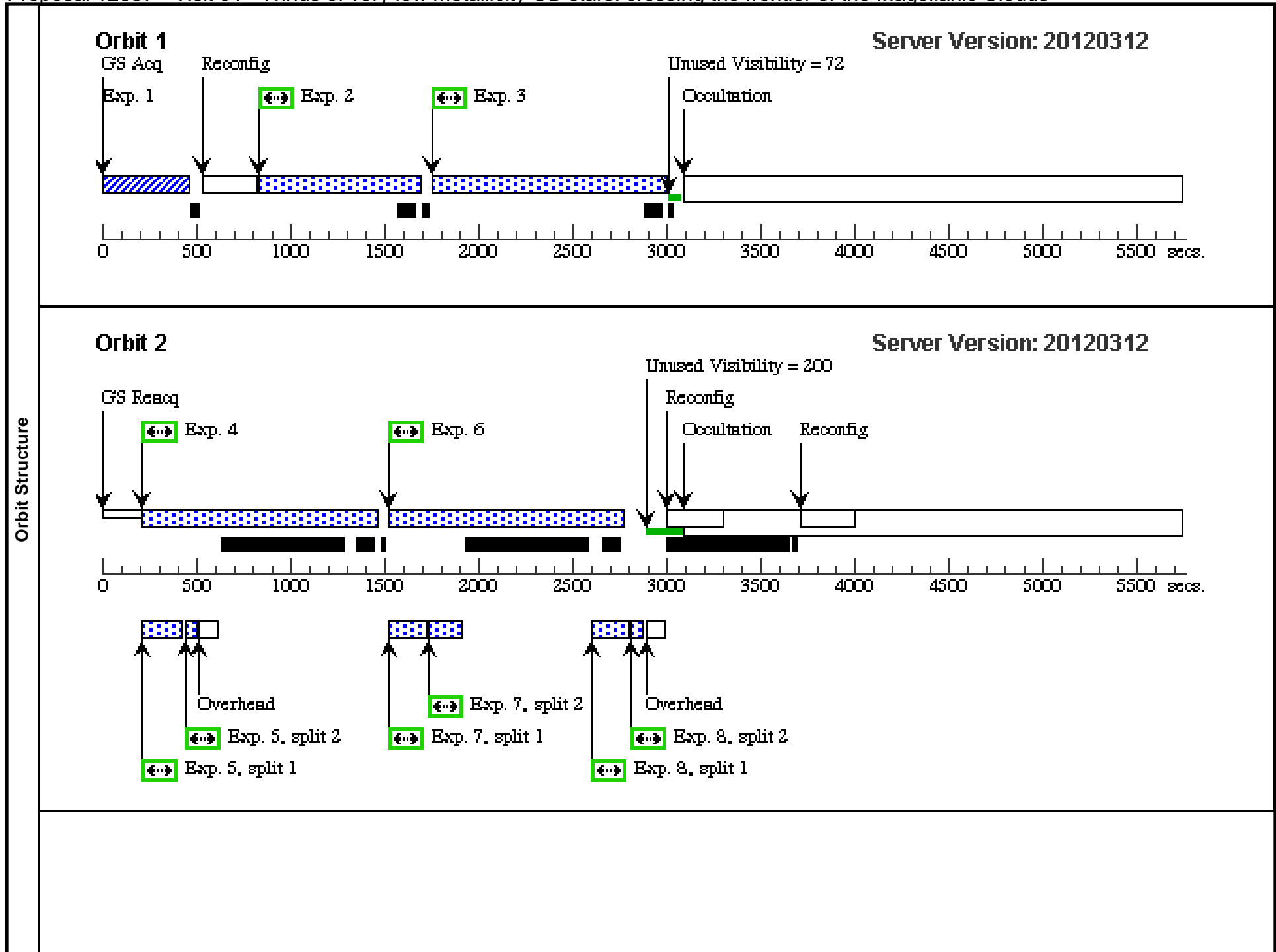
Visit	Proposal 12587, Visit 01, implementation Diagnostic Status: Warning Scientific Instruments: COS/NUV, COS/FUV, WFC3/UVIS Special Requirements: VISIBILITY INTERVAL 51.5 M					
Diagnostics	(Visit 01) Warning (Orbit Planner): PARALLELS SIGNIFICANTLY EXTEND ALIGNMENT TIME (Visit 01) Warning (Form): If the target coordinates are not known to 0.4" (or better) an ACQ/SEARCH should precede the ACQ/IMAGE. (Visit 01) Warning (Orbit Planner): PARALLELS SIGNIFICANTLY EXTEND ALIGNMENT TIME (Visit 01) Warning (Orbit Planner): INEFFICIENT ORDERING OF FP-POS POSITIONS					
Fixed Targets	#	Name	Target Coordinates	Targ. Coord. Corrections	Fluxes	Miscellaneous
	(1)	IC1613-010506-021043 Alt Name1: 69217	RA: 01 05 6.2560 (16.2760667d) Dec: +02 10 43.15 (2.17865d) Equinox: J2000		V=18.959+/-0.0055 TYPE=O3-4Vf, B-V = -0.225, E(B-V) = 0.105, F-CONT(1300) =33E-16	Reference Frame: ICRS

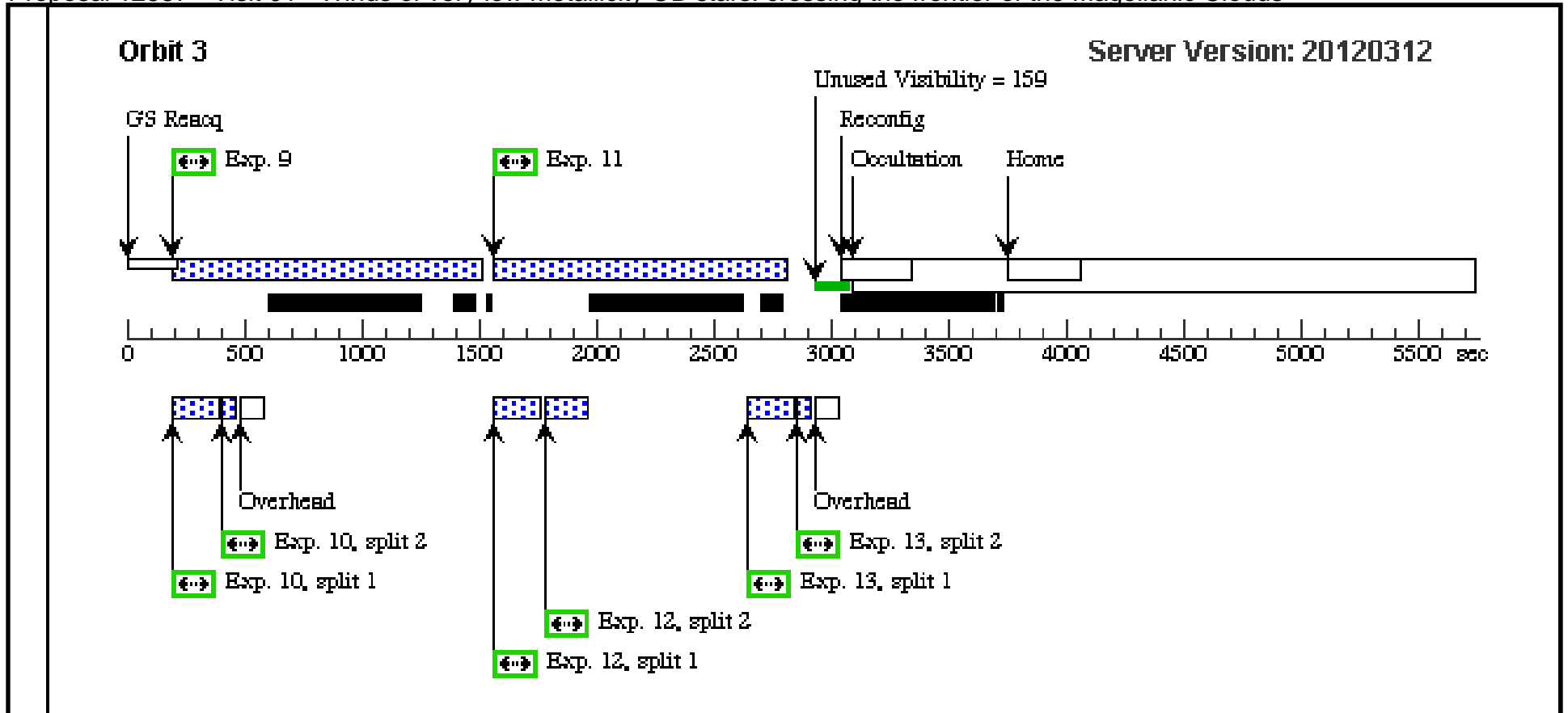
Proposal 12587 - Visit 01 - Winds of very low metallicity OB stars: crossing the frontier of the Magellanic Clouds

#	Label (ETC Run)	Target	Config,Mode,Aperture	Spectral Els.	Opt. Params.	Special Reqs.	Groups	Exp. Time/[Actual Dur.]	Orbit
Exposures	1	69217-Acq1 (COS.ta.183 552)	(1) IC1613-010506-0 21043	COS/NUV, ACQ/IMAGE, PSA	MIRRORA			30 Secs [==>]	[1]
	2	69217-FP-P OS1 (COS.sp.183 613)	(1) IC1613-010506-0 21043	COS/FUV, TIME-TAG, PSA	G140L 1105 A	FP-POS=1; SEGMENT=A; FLASH=YES; EXTENDED=NO; BUFFER-TIME=58 3		683. Secs [==>]	[1]
	3	69217-FP-P OS2 (COS.sp.183 613)	(1) IC1613-010506-0 21043	COS/FUV, TIME-TAG, PSA	G140L 1105 A	FP-POS=2; SEGMENT=A; FLASH=YES; EXTENDED=NO; BUFFER-TIME=11 00		1200 Secs [==>]	[1]
	4	69217-FP-P OS3 (COS.sp.183 613)	(1) IC1613-010506-0 21043	COS/FUV, TIME-TAG, PSA	G140L 1105 A	FP-POS=3; SEGMENT=A; FLASH=YES; EXTENDED=NO; BUFFER-TIME=11 00	Prime + Parallel Gro up 4-5 in Visit 01	1200. Secs [==>]	[2]
	5	FIELD1-F5 55W	ANY	WFC3/UVIS, ACCUM, UVIS	F555W	CR-SPLIT=2	Prime + Parallel Gro up 4-5 in Visit 01	120 Secs [==>(Split 1)] [==>(Split 2)]	[2]
	6	69217-FP-P OS4 (COS.sp.183 613)	(1) IC1613-010506-0 21043	COS/FUV, TIME-TAG, PSA	G140L 1105 A	FP-POS=4; SEGMENT=A; FLASH=YES; EXTENDED=NO; BUFFER-TIME=11 00	Prime + Parallel Gro up 6-8 in Visit 01	1200. Secs [==>]	[2]
	7	FIELD1-F3 36W	ANY	WFC3/UVIS, ACCUM, UVIS	F336W	CR-SPLIT=2	Prime + Parallel Gro up 6-8 in Visit 01	120 Secs [==>(Split 1)] [==>(Split 2)]	[2]
	8	FIELD1-F4 38W	ANY	WFC3/UVIS, ACCUM, UVIS	F438W	CR-SPLIT=2	Prime + Parallel Gro up 6-8 in Visit 01	120 Secs [==>(Split 1)] [==>(Split 2)]	[2]
	9	69217-FP-P OS3 (COS.sp.183 613)	(1) IC1613-010506-0 21043	COS/FUV, TIME-TAG, PSA	G140L 1105 A	FP-POS=3; SEGMENT=A; FLASH=YES; EXTENDED=NO; BUFFER-TIME=11 00	Prime + Parallel Gro up 9-10 in Visit 01	1200 Secs [==>]	[3]
	10	FIELD1-F5 02N	ANY	WFC3/UVIS, ACCUM, UVIS	F502N	CR-SPLIT=2	Prime + Parallel Gro up 9-10 in Visit 01	120 Secs [==>(Split 1)] [==>(Split 2)]	[3]

Proposal 12587 - Visit 01 - Winds of very low metallicity OB stars: crossing the frontier of the Magellanic Clouds

11	69217-FP-P OS4 (COS.sp.183 613)	(1) IC1613-010506-0	COS/FUV, TIME-TAG, PSA	G140L 1105 A	FP-POS=4; SEGMENT=A; FLASH=YES; EXTENDED=NO; BUFFER-TIME=11 00	Prime + Parallel Gro up 11-13 in Visit 01	1200 Secs	
							[==>]	[3]
12	FIELD1-F6 57N	ANY	WFC3/UVIS, ACCUM, UVIS	F657N	CR-SPLIT=2	Prime + Parallel Gro up 11-13 in Visit 01	120 Secs	
							[==>(Split 1)]	[3]
							[==>(Split 2)]	
13	FIELD1-F6 73N	ANY	WFC3/UVIS, ACCUM, UVIS	F673N	CR-SPLIT=2	Prime + Parallel Gro up 11-13 in Visit 01	120 Secs	
							[==>(Split 1)]	[3]
							[==>(Split 2)]	





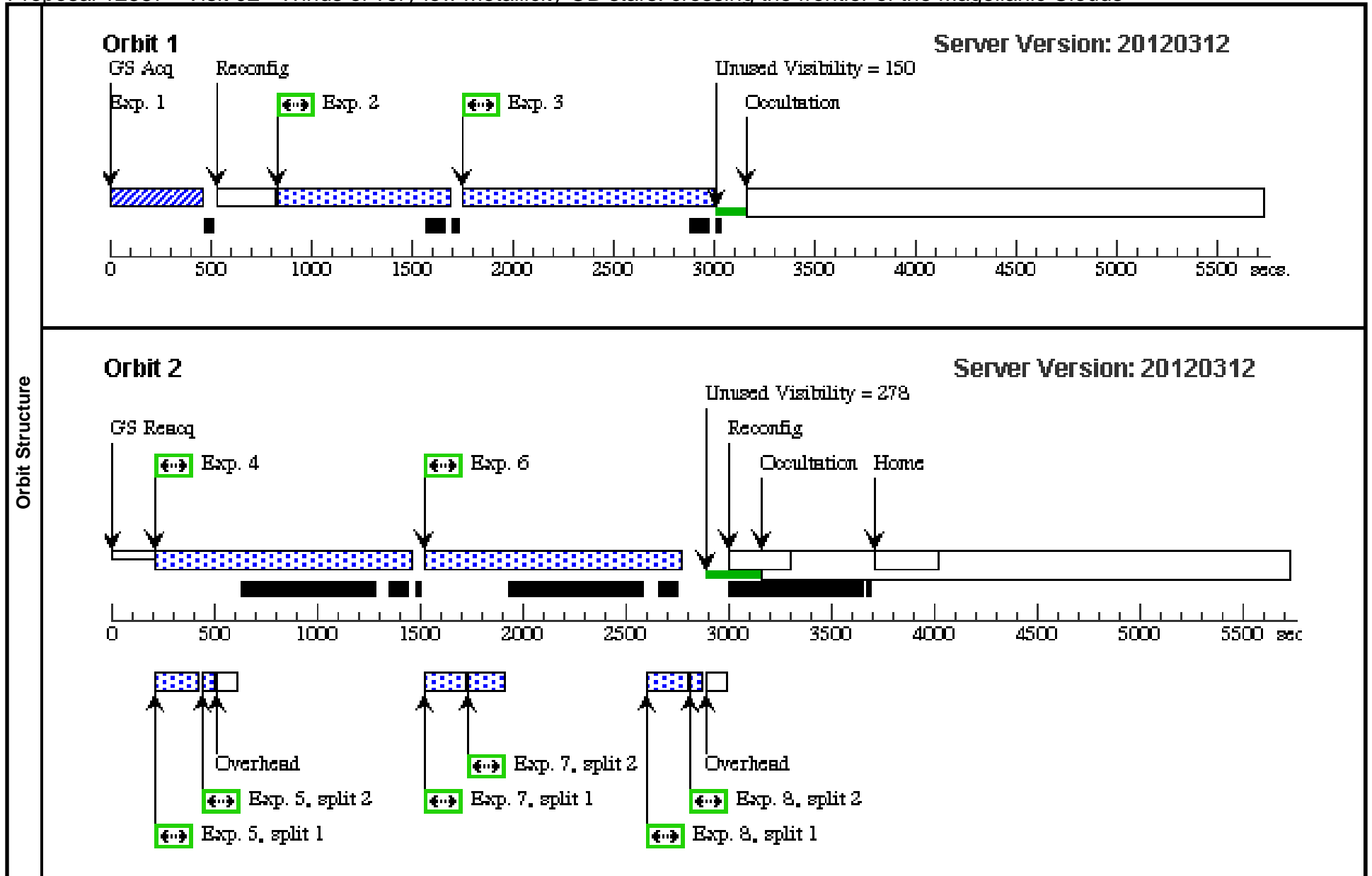
Proposal 12587 - Visit 02 - Winds of very low metallicity OB stars: crossing the frontier of the Magellanic Clouds

Wed Apr 04 01:33:30 GMT 2012

Visit	<p>Proposal 12587, Visit 02, implementation</p> <p>Diagnostic Status: Warning</p> <p>Scientific Instruments: COS/NUV, COS/FUV, WFC3/UVIS</p> <p>Special Requirements: VISIBILITY INTERVAL 52.8 M</p>					
Diagnostics	<p>(Visit 02) Warning (Orbit Planner): PARALLELS SIGNIFICANTLY EXTEND ALIGNMENT TIME</p> <p>(Visit 02) Warning (Form): If the target coordinates are not known to 0.4" (or better) an ACQ/SEARCH should precede the ACQ/IMAGE.</p>					
Fixed Targets	#	Name	Target Coordinates	Targ. Coord. Corrections	Fluxes	Miscellaneous
	(2)	IC1613-010503-021004 Alt Name1: 65426	RA: 01 05 3.0680 (16.2627833d) Dec: +02 10 4.54 (2.16793d) Equinox: J2000		V=19.621+/-0.0061 TYPE=O5-6Vf, B-V = -0.202, E(B-V) = 0.118, F-CONT(1300) =14E-16	Reference Frame: ICRS

Proposal 12587 - Visit 02 - Winds of very low metallicity OB stars: crossing the frontier of the Magellanic Clouds

#	Label (ETC Run)	Target	Config,Mode,Aperture	Spectral Els.	Opt. Params.	Special Reqs.	Groups	Exp. Time/[Actual Dur.]	Orbit
Exposures	1	65426-1-Ac q1 (COS.ta.183 555)	(2) IC1613-010503-0 21004	COS/NUV, ACQ/IMAGE, PSA	MIRRORA		GS ACQ SCENARI O BASE1B3	30 Secs [==>]	[1]
	2	65426-1-FP- POS1 (COS.sp.184 434)	(2) IC1613-010503-0 21004	COS/FUV, TIME-TAG, PSA	G140L 1105 A	FP-POS=1; SEGMENT=A; FLASH=YES; EXTENDED=NO; BUFFER-TIME=58 3		683. Secs [==>]	[1]
	3	65426-1-FP- POS2 (COS.sp.184 434)	(2) IC1613-010503-0 21004	COS/FUV, TIME-TAG, PSA	G140L 1105 A	FP-POS=2; SEGMENT=A; FLASH=YES; EXTENDED=NO; BUFFER-TIME=11 00		1200. Secs [==>]	[1]
	4	65426-1-FP- POS3 (COS.sp.184 434)	(2) IC1613-010503-0 21004	COS/FUV, TIME-TAG, PSA	G140L 1105 A	FP-POS=3; SEGMENT=A; FLASH=YES; EXTENDED=NO; BUFFER-TIME=11 00	Prime + Parallel Gro up 4-5 in Visit 02	1200. Secs [==>]	[2]
	5	FIELD2-F5 55W	ANY	WFC3/UVIS, ACCUM, UVIS	F555W	CR-SPLIT=2	Prime + Parallel Gro up 4-5 in Visit 02	120 Secs [==>(Split 1)] [==>(Split 2)]	[2]
	6	65426-1-FP- POS4 (COS.sp.184 434)	(2) IC1613-010503-0 21004	COS/FUV, TIME-TAG, PSA	G140L 1105 A	FP-POS=4; SEGMENT=A; FLASH=YES; EXTENDED=NO; BUFFER-TIME=11 00	Prime + Parallel Gro up 6-8 in Visit 02	1200. Secs [==>]	[2]
	7	FIELD2-F3 36W	ANY	WFC3/UVIS, ACCUM, UVIS	F336W	CR-SPLIT=2	Prime + Parallel Gro up 6-8 in Visit 02	120 Secs [==>(Split 1)] [==>(Split 2)]	[2]
	8	FIELD2-F4 38W	ANY	WFC3/UVIS, ACCUM, UVIS	F438W	CR-SPLIT=2	Prime + Parallel Gro up 6-8 in Visit 02	120 Secs [==>(Split 1)] [==>(Split 2)]	[2]



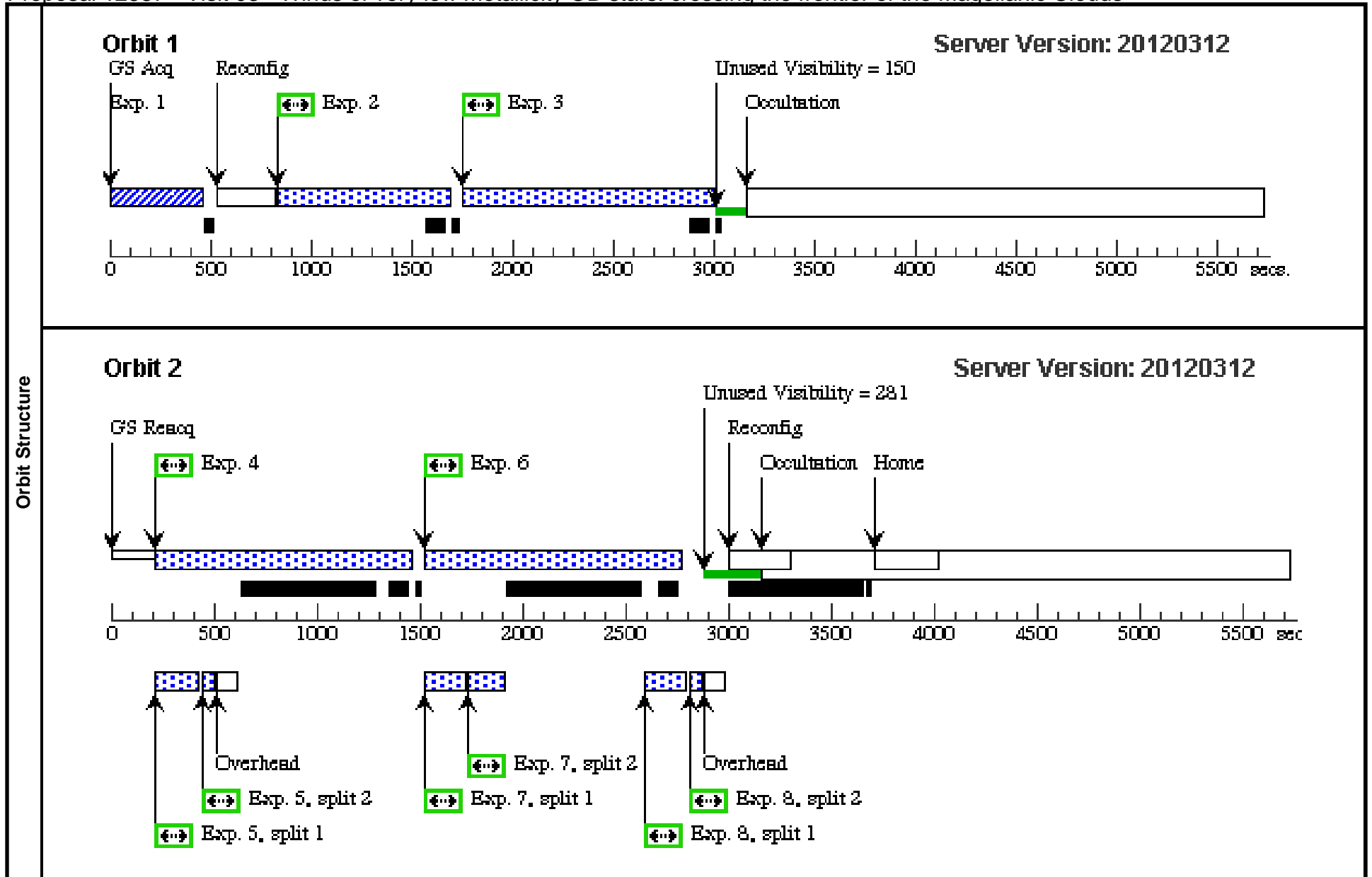
Proposal 12587 - Visit 03 - Winds of very low metallicity OB stars: crossing the frontier of the Magellanic Clouds

Wed Apr 04 01:33:31 GMT 2012

Visit	Proposal 12587, Visit 03, implementation Diagnostic Status: Warning Scientific Instruments: COS/NUV, COS/FUV, WFC3/UVIS Special Requirements: SAME ORIENT AS 02; VISIBILITY INTERVAL 52.8 M					
	(Visit 03) Warning (Orbit Planner): PARALLELS SIGNIFICANTLY EXTEND ALIGNMENT TIME (Visit 03) Warning (Form): If the target coordinates are not known to 0.4" (or better) an ACQ/SEARCH should precede the ACQ/IMAGE.					
Fixed Targets	#	Name	Target Coordinates	Targ. Coord. Corrections	Fluxes	Miscellaneous
	(2)	IC1613-010503-021004 Alt Name1: 65426	RA: 01 05 3.0680 (16.2627833d) Dec: +02 10 4.54 (2.16793d) Equinox: J2000		V=19.621+/-0.0061 TYPE=O5-6Vf, B-V = -0.202, E(B-V) = 0.118, F-CONT(1300) =14E-16	Reference Frame: ICRS

Proposal 12587 - Visit 03 - Winds of very low metallicity OB stars: crossing the frontier of the Magellanic Clouds

#	Label (ETC Run)	Target	Config,Mode,Aperture	Spectral Els.	Opt. Params.	Special Reqs.	Groups	Exp. Time/[Actual Dur.]	Orbit
Exposures	1	65426-2-Ac q1 (COS.ta.183 555)	(2) IC1613-010503-0 21004	COS/NUV, ACQ/IMAGE, PSA	MIRRORA		GS ACQ SCENARI O BASE1B3	30 Secs [==>]	[1]
	2	65426-2-FP- POS1 (COS.sp.184 434)	(2) IC1613-010503-0 21004	COS/FUV, TIME-TAG, PSA	G140L 1105 A	FP-POS=1; SEGMENT=A; FLASH=YES; EXTENDED=NO; BUFFER-TIME=58 3		683. Secs [==>]	[1]
	3	65426-2-FP- POS2 (COS.sp.184 434)	(2) IC1613-010503-0 21004	COS/FUV, TIME-TAG, PSA	G140L 1105 A	FP-POS=2; SEGMENT=A; FLASH=YES; EXTENDED=NO; BUFFER-TIME=11 00		1200. Secs [==>]	[1]
	4	65426-2-FP- POS3 (COS.sp.184 434)	(2) IC1613-010503-0 21004	COS/FUV, TIME-TAG, PSA	G140L 1105 A	FP-POS=3; SEGMENT=A; FLASH=YES; EXTENDED=NO; BUFFER-TIME=11 00	Prime + Parallel Gro up 4-5 in Visit 03	1200. Secs [==>]	[2]
	5	FIELD2-F5 02N	ANY	WFC3/UVIS, ACCUM, UVIS	F502N	CR-SPLIT=2	Prime + Parallel Gro up 4-5 in Visit 03	120 Secs [==>(Split 1)] [==>(Split 2)]	[2]
	6	65426-2-FP- POS4 (COS.sp.184 434)	(2) IC1613-010503-0 21004	COS/FUV, TIME-TAG, PSA	G140L 1105 A	FP-POS=4; SEGMENT=A; FLASH=YES; EXTENDED=NO; BUFFER-TIME=11 00	Prime + Parallel Gro up 6-8 in Visit 03	1200. Secs [==>]	[2]
	7	FIELD2-F6 57N	ANY	WFC3/UVIS, ACCUM, UVIS	F657N	CR-SPLIT=2	Prime + Parallel Gro up 6-8 in Visit 03	120 Secs [==>(Split 1)] [==>(Split 2)]	[2]
	8	FIELD2-F6 73N	ANY	WFC3/UVIS, ACCUM, UVIS	F673N	CR-SPLIT=2	Prime + Parallel Gro up 6-8 in Visit 03	120 Secs [==>(Split 1)] [==>(Split 2)]	[2]



Proposal 12587 - Visit 04 - Winds of very low metallicity OB stars: crossing the frontier of the Magellanic Clouds

Wed Apr 04 01:33:32 GMT 2012

Visit	Proposal 12587, Visit 04, implementation Diagnostic Status: Warning Scientific Instruments: COS/NUV, COS/FUV, WFC3/UVIS Special Requirements: VISIBILITY INTERVAL 51.5 M					
	(Visit 04) Warning (Orbit Planner): PARALLELS SIGNIFICANTLY EXTEND ALIGNMENT TIME (Visit 04) Warning (Form): If the target coordinates are not known to 0.4" (or better) an ACQ/SEARCH should precede the ACQ/IMAGE. (Visit 04) Warning (Orbit Planner): PARALLELS SIGNIFICANTLY EXTEND ALIGNMENT TIME (Visit 04) Warning (Orbit Planner): PARALLELS SIGNIFICANTLY EXTEND ALIGNMENT TIME (Visit 04) Warning (Orbit Planner): INEFFICIENT ORDERING OF FP-POS POSITIONS (Visit 04) Warning (Orbit Planner): PARALLELS SIGNIFICANTLY EXTEND ALIGNMENT TIME (Visit 04) Warning (Orbit Planner): INEFFICIENT ORDERING OF FP-POS POSITIONS					
Fixed Targets	#	Name	Target Coordinates	Targ. Coord. Corrections	Fluxes	Miscellaneous
	(3)	IC1613-010501-020849 Alt Name1: 62024	RA: 01 05 0.6460 (16.2526917d) Dec: +02 08 49.26 (2.14702d) Equinox: J2000		V=19.600+/- 0.0078 TYPE=O5If, B-V = -0.161, E(B-V) = 0.149, F-CONT(1300) =1E-15	Reference Frame: ICRS

Proposal 12587 - Visit 04 - Winds of very low metallicity OB stars: crossing the frontier of the Magellanic Clouds

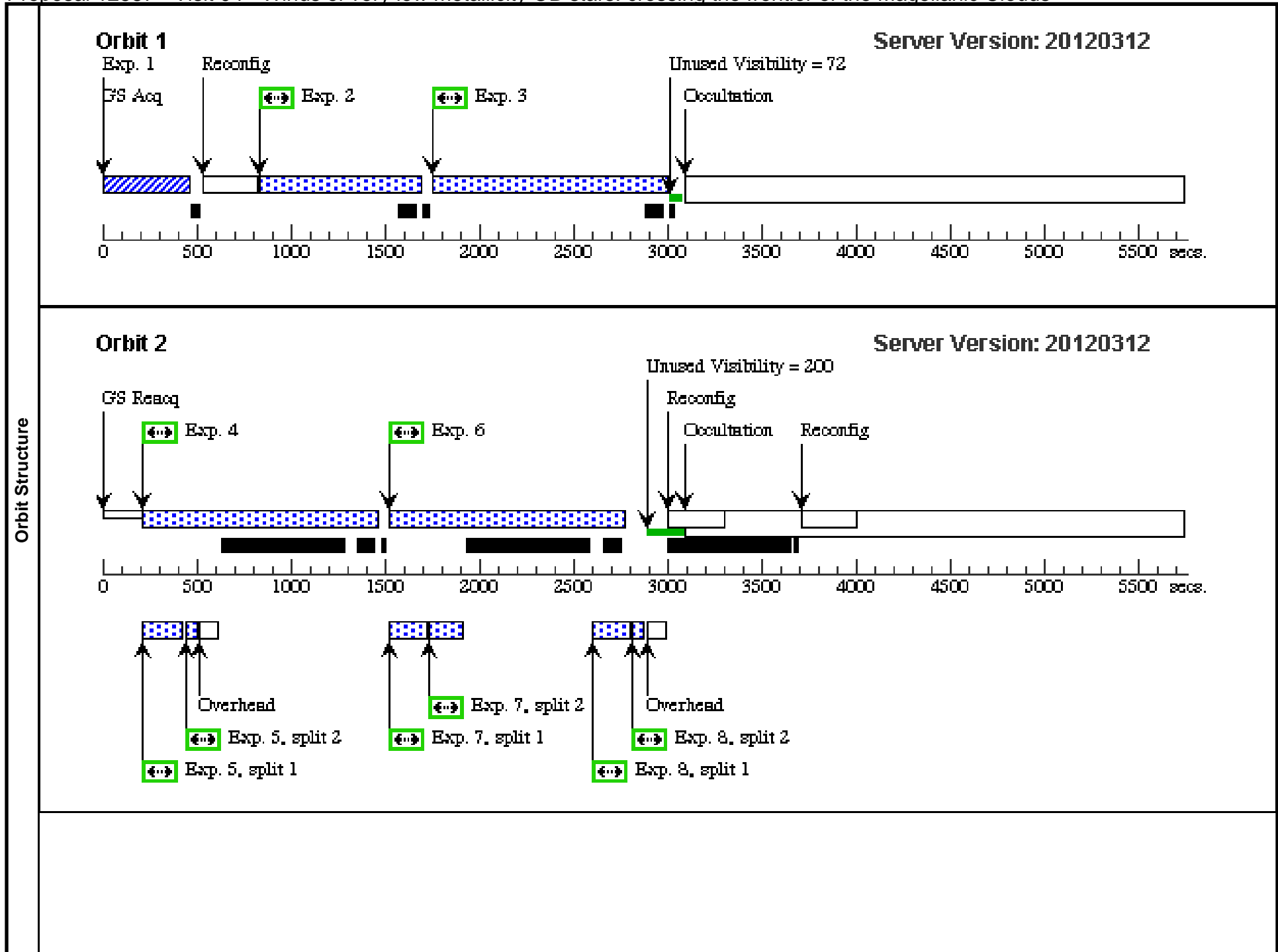
#	Label (ETC Run)	Target	Config,Mode,Aperture	Spectral Els.	Opt. Params.	Special Reqs.	Groups	Exp. Time/[Actual Dur.]	Orbit
Exposures	1	62024-Acq1 (COS.ta.183 556)	(3) IC1613-010501-0 20849	COS/NUV, ACQ/IMAGE, PSA	MIRRORA			30 Secs [==>]	[1]
	2	62024-FP-P OS1 (COS.sp.184 448)	(3) IC1613-010501-0 20849	COS/FUV, TIME-TAG, PSA	G140L 1105 A	FP-POS=1; SEGMENT=A; FLASH=YES; EXTENDED=NO; BUFFER-TIME=58 3		683. Secs [==>]	[1]
	3	62024-FP-P OS2 (COS.sp.184 448)	(3) IC1613-010501-0 20849	COS/FUV, TIME-TAG, PSA	G140L 1105 A	FP-POS=2; SEGMENT=A; FLASH=YES; EXTENDED=NO; BUFFER-TIME=11 00		1200. Secs [==>]	[1]
	4	62024-FP-P OS3 (COS.sp.184 448)	(3) IC1613-010501-0 20849	COS/FUV, TIME-TAG, PSA	G140L 1105 A	FP-POS=3; SEGMENT=A; FLASH=YES; EXTENDED=NO; BUFFER-TIME=11 00	Prime + Parallel Gro up 4-5 in Visit 04	1200. Secs [==>]	[2]
	5	FIELD3-F5 55W	ANY	WFC3/UVIS, ACCUM, UVIS	F555W	CR-SPLIT=2	Prime + Parallel Gro up 4-5 in Visit 04	120 Secs [==>(Split 1)] [==>(Split 2)]	[2]
	6	62024-FP-P OS4 (COS.sp.184 448)	(3) IC1613-010501-0 20849	COS/FUV, TIME-TAG, PSA	G140L 1105 A	FP-POS=4; SEGMENT=A; FLASH=YES; EXTENDED=NO; BUFFER-TIME=11 00	Prime + Parallel Gro up 6-8 in Visit 04	1200. Secs [==>]	[2]
	7	FIELD3-F3 36W	ANY	WFC3/UVIS, ACCUM, UVIS	F336W	CR-SPLIT=2	Prime + Parallel Gro up 6-8 in Visit 04	120 Secs [==>(Split 1)] [==>(Split 2)]	[2]
	8	FIELD3-F4 38W	ANY	WFC3/UVIS, ACCUM, UVIS	F438W	CR-SPLIT=2	Prime + Parallel Gro up 6-8 in Visit 04	120 Secs [==>(Split 1)] [==>(Split 2)]	[2]
	9	62024-FP-P OS3 (COS.sp.184 448)	(3) IC1613-010501-0 20849	COS/FUV, TIME-TAG, PSA	G140L 1105 A	FP-POS=3; SEGMENT=A; FLASH=YES; EXTENDED=NO; BUFFER-TIME=11 00	Prime + Parallel Gro up 9-10 in Visit 04	1200 Secs [==>]	[3]
	10	FIELD3-F5 02N	ANY	WFC3/UVIS, ACCUM, UVIS	F502N	CR-SPLIT=2	Prime + Parallel Gro up 9-10 in Visit 04	120 Secs [==>(Split 1)] [==>(Split 2)]	[3]

Proposal 12587 - Visit 04 - Winds of very low metallicity OB stars: crossing the frontier of the Magellanic Clouds

11	62024-FP-P OS4 (COS.sp.184 448)	(3) IC1613-010501-0 20849	COS/FUV, TIME-TAG, PSA	G140L 1105 A	FP-POS=4; SEGMENT=A; FLASH=YES; EXTENDED=NO; BUFFER-TIME=11 00	Prime + Parallel Gro up 11-13 in Visit 04	1200 Secs [==>]	[3]
12	FIELD3-F6 57N	ANY	WFC3/UVIS, ACCUM, UVIS	F657N	CR-SPLIT=2	Prime + Parallel Gro up 11-13 in Visit 04	120 Secs [==>(Split 1)] [==>(Split 2)]	[3]
13	FIELD3-F6 73N	ANY	WFC3/UVIS, ACCUM, UVIS	F673N	CR-SPLIT=2	Prime + Parallel Gro up 11-13 in Visit 04	120 Secs [==>(Split 1)] [==>(Split 2)]	[3]
14	62024-FP-P OS1 (COS.sp.184 448)	(3) IC1613-010501-0 20849	COS/FUV, TIME-TAG, PSA	G140L 1105 A	FP-POS=1; SEGMENT=A; FLASH=YES; EXTENDED=NO; BUFFER-TIME=11 00	Prime + Parallel Gro up 14-15 in Visit 04	1200 Secs [==>]	[4]
15	FIELD3-F5 55W	ANY	WFC3/UVIS, ACCUM, UVIS	F555W	CR-SPLIT=2	Prime + Parallel Gro up 14-15 in Visit 04	120 Secs [==>(Split 1)] [==>(Split 2)]	[4]
16	62024-FP-P OS2 (COS.sp.184 448)	(3) IC1613-010501-0 20849	COS/FUV, TIME-TAG, PSA	G140L 1105 A	FP-POS=2; SEGMENT=A; FLASH=YES; EXTENDED=NO; BUFFER-TIME=11 00	Prime + Parallel Gro up 16-18 in Visit 04	1200 Secs [==>]	[4]
17	FIELD3-F3 36W	ANY	WFC3/UVIS, ACCUM, UVIS	F336W	CR-SPLIT=2	Prime + Parallel Gro up 16-18 in Visit 04	120 Secs [==>(Split 1)] [==>(Split 2)]	[4]
18	FIELD3-F4 38W	ANY	WFC3/UVIS, ACCUM, UVIS	F438W	CR-SPLIT=2	Prime + Parallel Gro up 16-18 in Visit 04	120 Secs [==>(Split 1)] [==>(Split 2)]	[4]
19	62024-FP-P OS3 (COS.sp.184 448)	(3) IC1613-010501-0 20849	COS/FUV, TIME-TAG, PSA	G140L 1105 A	FP-POS=3; SEGMENT=A; FLASH=YES; EXTENDED=NO; BUFFER-TIME=11 00	Prime + Parallel Gro up 19-20 in Visit 04	1200 Secs [==>]	[5]
20	FIELD3-F5 02N	ANY	WFC3/UVIS, ACCUM, UVIS	F502N	CR-SPLIT=2	Prime + Parallel Gro up 19-20 in Visit 04	120 Secs [==>(Split 1)] [==>(Split 2)]	[5]

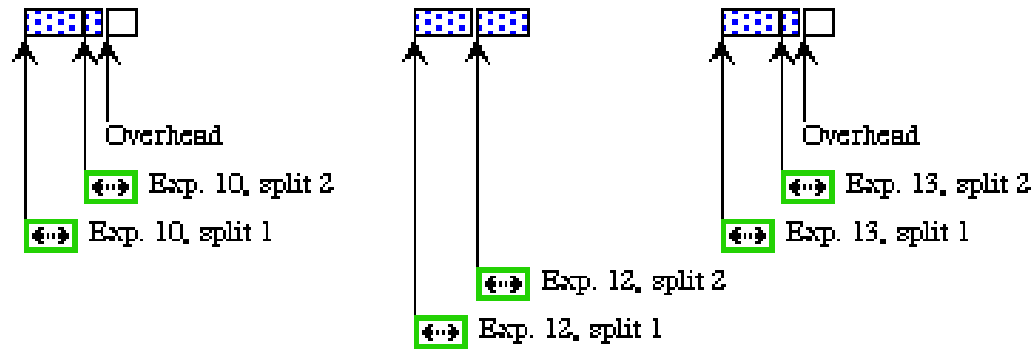
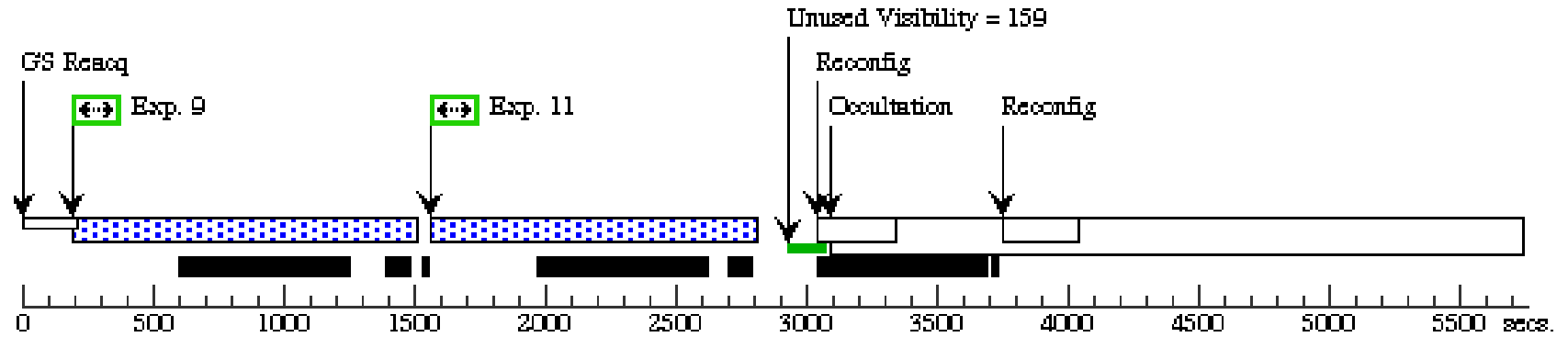
Proposal 12587 - Visit 04 - Winds of very low metallicity OB stars: crossing the frontier of the Magellanic Clouds

21	62024-FP-P OS4 (COS.sp.184 448)	(3) IC1613-010501-0 20849	COS/FUV, TIME-TAG, PSA	G140L 1105 A	FP-POS=4; SEGMENT=A; FLASH=YES; EXTENDED=NO; BUFFER-TIME=11 00	Prime + Parallel Gro up 21-23 in Visit 04	1200 Secs	
							[==>]	[5]
22	FIELD3-F6 57N	ANY	WFC3/UVIS, ACCUM, UVIS	F657N	CR-SPLIT=2	Prime + Parallel Gro up 21-23 in Visit 04	120 Secs	
							[==>(Split 1)] [==>(Split 2)]	[5]
23	FIELD3-F6 73N	ANY	WFC3/UVIS, ACCUM, UVIS	F673N	CR-SPLIT=2	Prime + Parallel Gro up 21-23 in Visit 04	120 Secs	
							[==>(Split 1)] [==>(Split 2)]	[5]



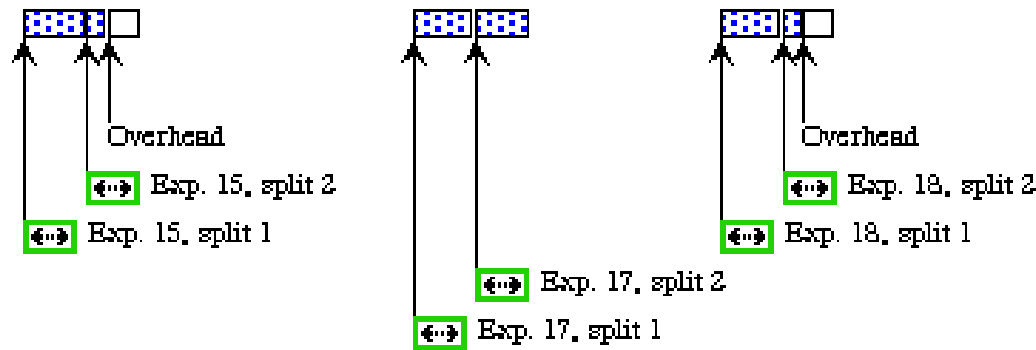
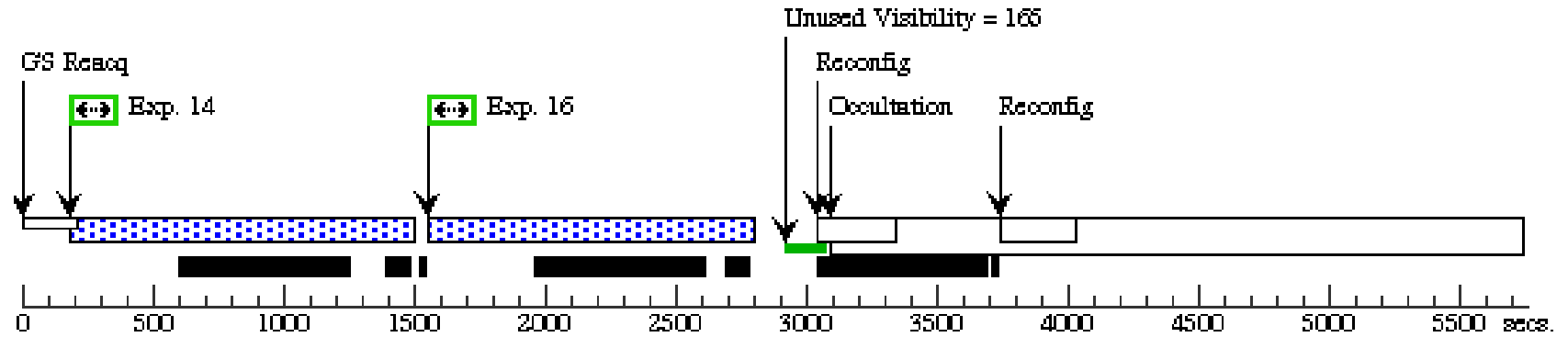
Orbit 3

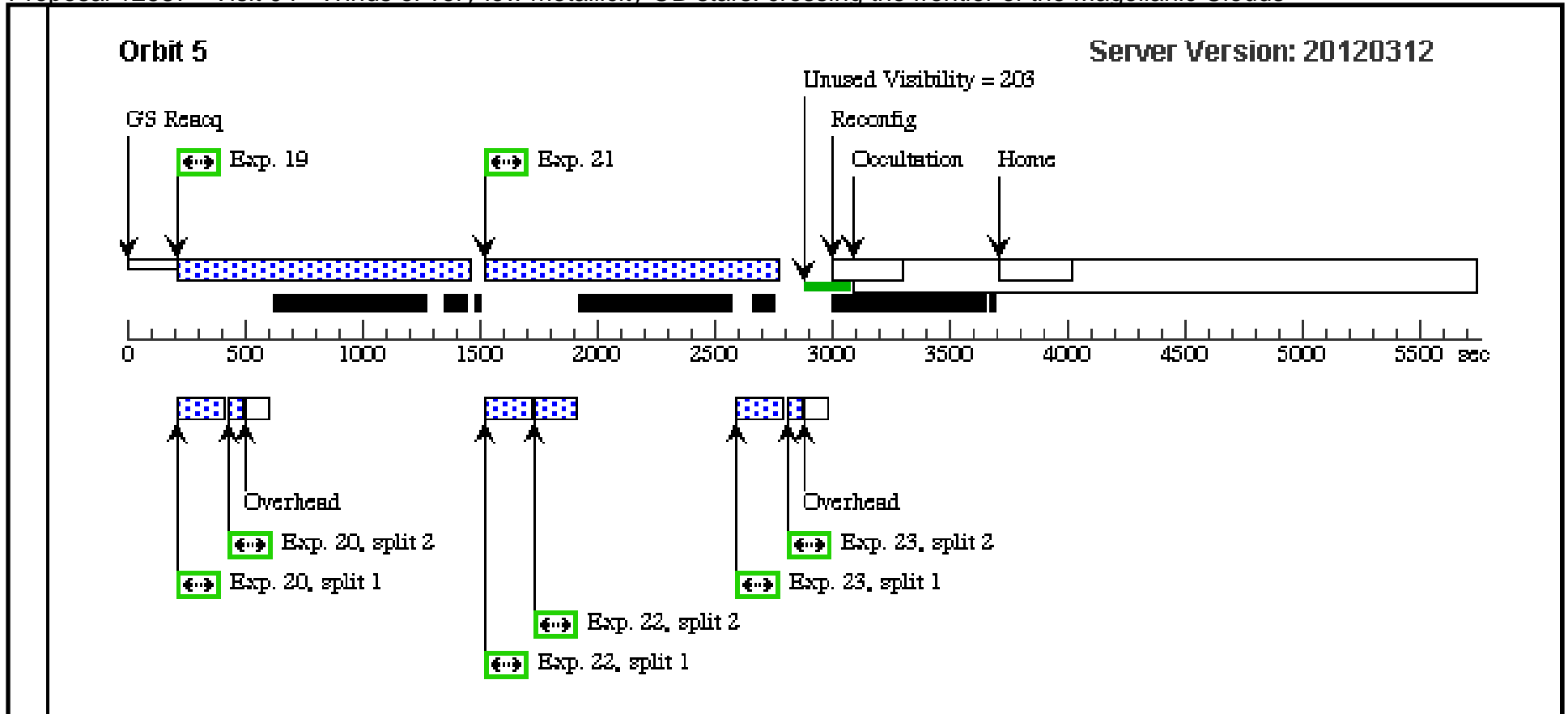
Server Version: 20120312



Orbit 4

Server Version: 20120312





Proposal 12587 - Visit 05 - Winds of very low metallicity OB stars: crossing the frontier of the Magellanic Clouds

Wed Apr 04 01:33:34 GMT 2012

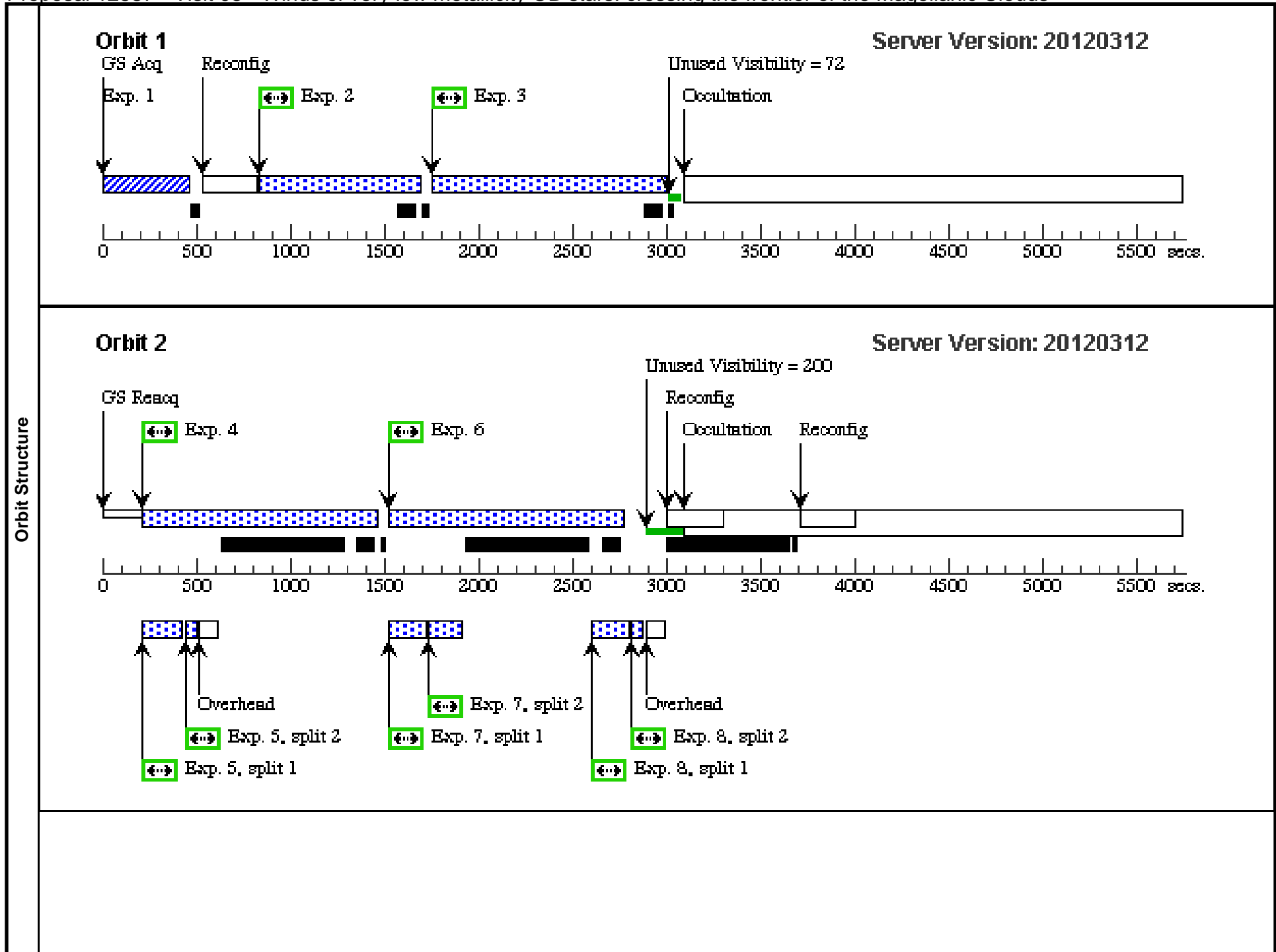
Visit	Proposal 12587, Visit 05, implementation Diagnostic Status: Warning Scientific Instruments: COS/NUV, COS/FUV, WFC3/UVIS Special Requirements: VISIBILITY INTERVAL 51.5 M					
	(Visit 05) Warning (Orbit Planner): INEFFICIENT ORDERING OF FP-POS POSITIONS (Visit 05) Warning (Orbit Planner): PARALLELS SIGNIFICANTLY EXTEND ALIGNMENT TIME (Visit 05) Warning (Orbit Planner): PARALLELS SIGNIFICANTLY EXTEND ALIGNMENT TIME (Visit 05) Warning (Form): If the target coordinates are not known to 0.4" (or better) an ACQ/SEARCH should precede the ACQ/IMAGE.					
Fixed Targets	#	Name	Target Coordinates	Targ. Coord. Corrections	Fluxes	Miscellaneous
	(4)	IC1613-010505-020923 Alt Name1: 67559	RA: 01 05 4.7670 (16.2698625d) Dec: +02 09 23.19 (2.15644d) Equinox: J2000		V=19.243+/-0.0055 TYPE=O7I(f), B-V = -0.201, E(B-V) = 0.109, F-CONT(1300) =18E-16	Reference Frame: ICRS

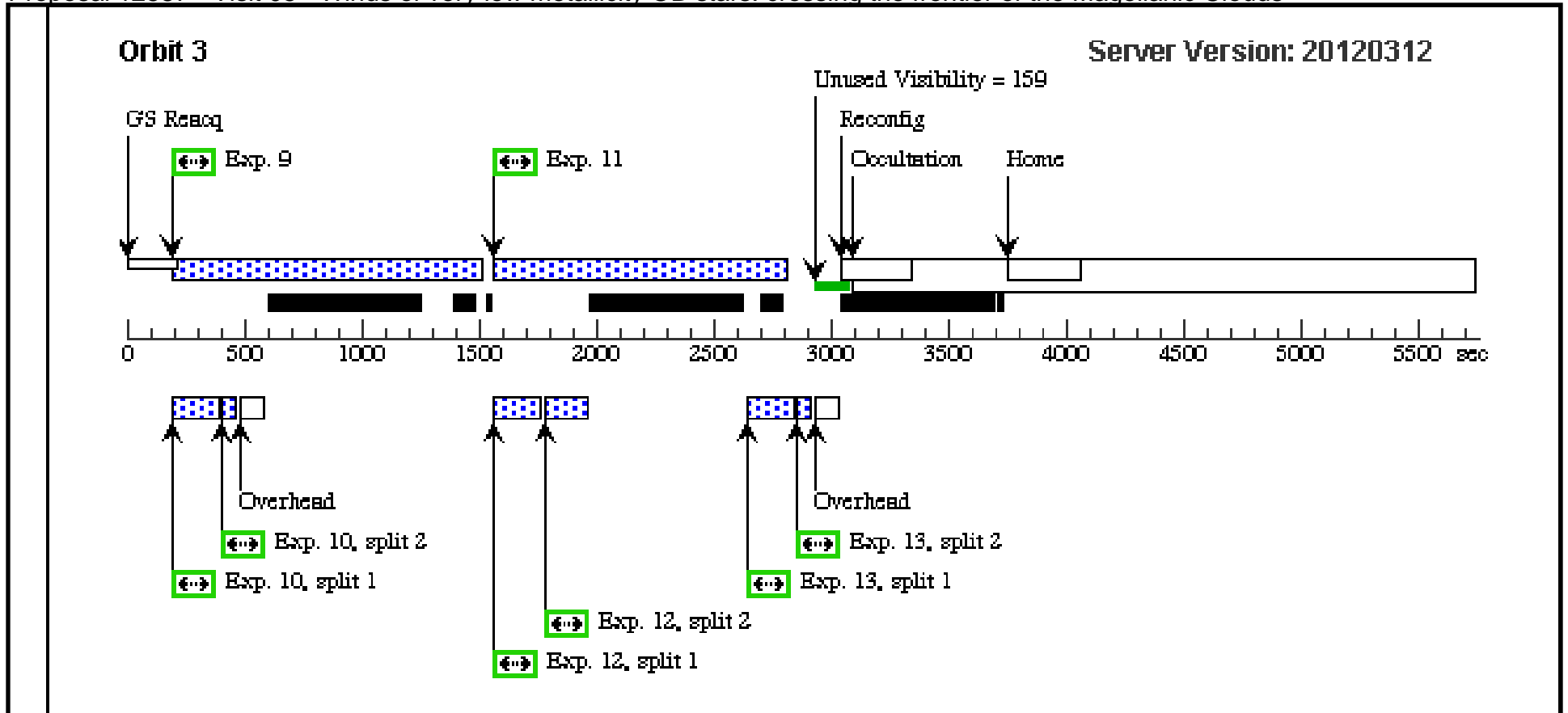
Proposal 12587 - Visit 05 - Winds of very low metallicity OB stars: crossing the frontier of the Magellanic Clouds

#	Label (ETC Run)	Target	Config,Mode,Aperture	Spectral Els.	Opt. Params.	Special Reqs.	Groups	Exp. Time/[Actual Dur.]	Orbit
Exposures	1	67559-Acq1 (COS.ta.183 559)	(4) IC1613-010505-0 20923	COS/NUV, ACQ/IMAGE, PSA	MIRRORA			30 Secs [==>]	[1]
	2	67559-FP-P OS1 (COS.sp.183 849)	(4) IC1613-010505-0 20923	COS/FUV, TIME-TAG, PSA	G140L 1105 A	FP-POS=1; SEGMENT=A; FLASH=YES; EXTENDED=NO; BUFFER-TIME=58 3		683. Secs [==>]	[1]
	3	67559-FP-P OS2 (COS.sp.183 849)	(4) IC1613-010505-0 20923	COS/FUV, TIME-TAG, PSA	G140L 1105 A	FP-POS=2; SEGMENT=A; FLASH=YES; EXTENDED=NO; BUFFER-TIME=11 00		1200. Secs [==>]	[1]
	4	67559-FP-P OS3 (COS.sp.183 849)	(4) IC1613-010505-0 20923	COS/FUV, TIME-TAG, PSA	G140L 1105 A	FP-POS=3; SEGMENT=A; FLASH=YES; EXTENDED=NO; BUFFER-TIME=11 00	Prime + Parallel Gro up 4-5 in Visit 05	1200. Secs [==>]	[2]
	5	FIELD4-F5 55W	ANY	WFC3/UVIS, ACCUM, UVIS	F555W	CR-SPLIT=2	Prime + Parallel Gro up 4-5 in Visit 05	120 Secs [==>(Split 1)] [==>(Split 2)]	[2]
	6	67559-FP-P OS4 (COS.sp.183 849)	(4) IC1613-010505-0 20923	COS/FUV, TIME-TAG, PSA	G140L 1105 A	FP-POS=4; SEGMENT=A; FLASH=YES; EXTENDED=NO; BUFFER-TIME=11 00	Prime + Parallel Gro up 6-8 in Visit 05	1200. Secs [==>]	[2]
	7	FIELD4-F3 36W	ANY	WFC3/UVIS, ACCUM, UVIS	F336W	CR-SPLIT=2	Prime + Parallel Gro up 6-8 in Visit 05	120 Secs [==>(Split 1)] [==>(Split 2)]	[2]
	8	FIELD4-F4 38W	ANY	WFC3/UVIS, ACCUM, UVIS	F438W	CR-SPLIT=2	Prime + Parallel Gro up 6-8 in Visit 05	120 Secs [==>(Split 1)] [==>(Split 2)]	[2]
	9	67559-FP-P OS3 (COS.sp.183 849)	(4) IC1613-010505-0 20923	COS/FUV, TIME-TAG, PSA	G140L 1105 A	FP-POS=3; SEGMENT=A; FLASH=YES; EXTENDED=NO; BUFFER-TIME=11 00	Prime + Parallel Gro up 9-10 in Visit 05	1200 Secs [==>]	[3]
	10	FIELD4-F5 02N	ANY	WFC3/UVIS, ACCUM, UVIS	F502N	CR-SPLIT=2	Prime + Parallel Gro up 9-10 in Visit 05	120 Secs [==>(Split 1)] [==>(Split 2)]	[3]

Proposal 12587 - Visit 05 - Winds of very low metallicity OB stars: crossing the frontier of the Magellanic Clouds

11	67559-FP-P OS4 (COS.sp.183 849)	(4) IC1613-010505-0 20923	COS/FUV, TIME-TAG, PSA	G140L 1105 A	FP-POS=4; SEGMENT=A; FLASH=YES; EXTENDED=NO; BUFFER-TIME=11 00	Prime + Parallel Gro up 11-13 in Visit 05	1200 Secs	
							[==>]	[3]
12	FIELD4-F6 57N	ANY	WFC3/UVIS, ACCUM, UVIS	F657N	CR-SPLIT=2	Prime + Parallel Gro up 11-13 in Visit 05	120 Secs	
							[==>(Split 1)]	[3]
							[==>(Split 2)]	
13	FIELD4-F6 73N	ANY	WFC3/UVIS, ACCUM, UVIS	F673N	CR-SPLIT=2	Prime + Parallel Gro up 11-13 in Visit 05	120 Secs	
							[==>(Split 1)]	[3]
							[==>(Split 2)]	





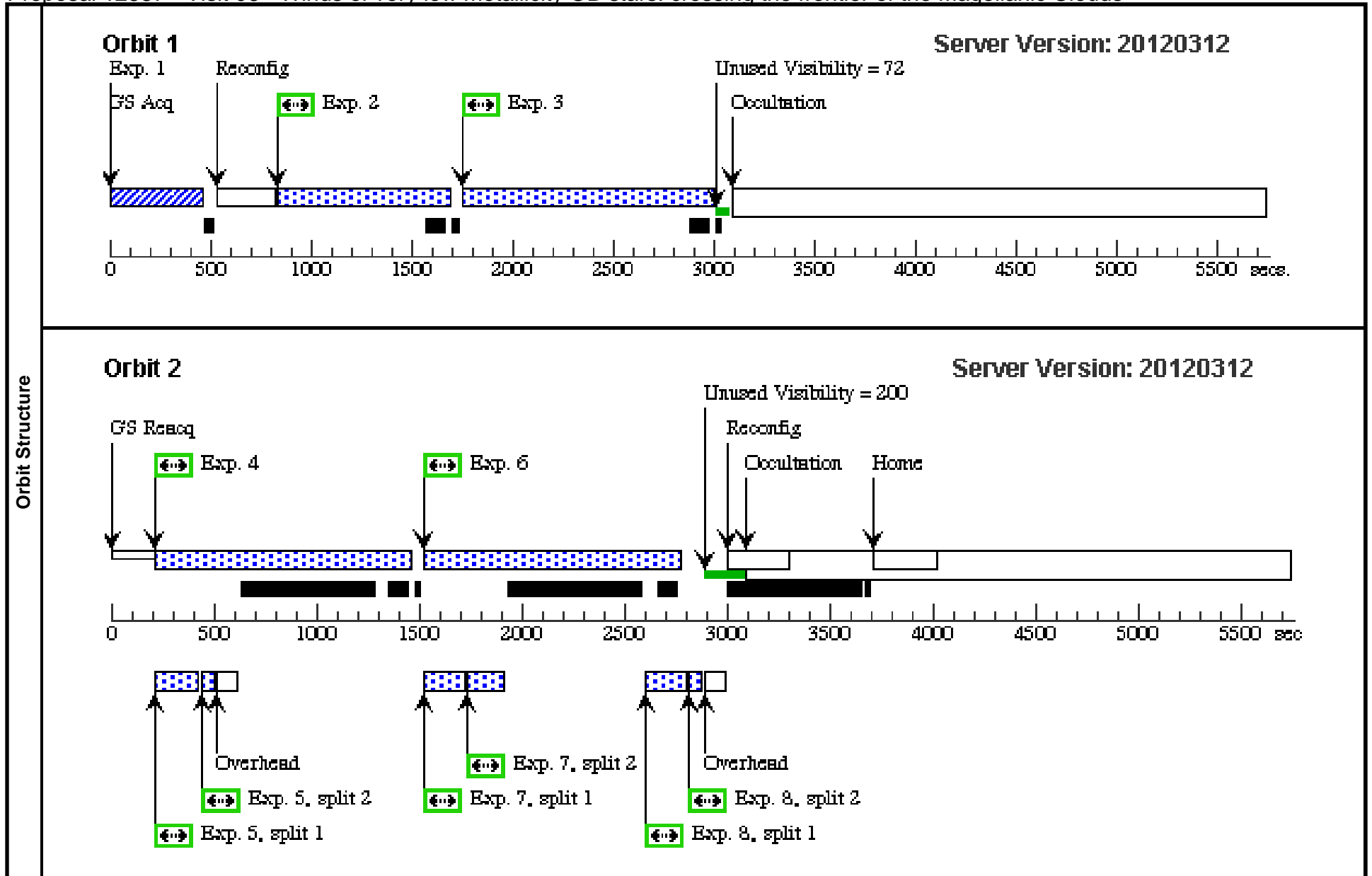
Proposal 12587 - Visit 06 - Winds of very low metallicity OB stars: crossing the frontier of the Magellanic Clouds

Wed Apr 04 01:33:36 GMT 2012

Visit	<p>Proposal 12587, Visit 06, implementation</p> <p>Diagnostic Status: Warning</p> <p>Scientific Instruments: COS/NUV, COS/FUV, WFC3/UVIS</p> <p>Special Requirements: VISIBILITY INTERVAL 51.5 M</p>					
Diagnostics	<p>(Visit 06) Warning (Orbit Planner): PARALLELS SIGNIFICANTLY EXTEND ALIGNMENT TIME</p> <p>(Visit 06) Warning (Form): If the target coordinates are not known to 0.4" (or better) an ACQ/SEARCH should precede the ACQ/IMAGE.</p>					
Fixed Targets	#	Name	Target Coordinates	Targ. Coord. Corrections	Fluxes	Miscellaneous
	(5)	IC1613-010502-020805 Alt Name1: 63932	RA: 01 05 1.9730 (16.2582208d) Dec: +02 08 5.10 (2.13475d) Equinox: J2000		V=18.965+/-0.0063 TYPE=O9I, B-V = -0.206, E(B-V) =0.074, F-CONT(1300) =35E-16	Reference Frame: ICRS

Proposal 12587 - Visit 06 - Winds of very low metallicity OB stars: crossing the frontier of the Magellanic Clouds

#	Label (ETC Run)	Target	Config,Mode,Aperture	Spectral Els.	Opt. Params.	Special Reqs.	Groups	Exp. Time/[Actual Dur.]	Orbit
Exposures	1	63932-Acq1 (COS.ta.183 558)	(5) IC1613-010502-0 20805	COS/NUV, ACQ/IMAGE, PSA	MIRRORA			30 Secs [==>]	[1]
	2	63932-FP-P OS1 (COS.sp.184 474)	(5) IC1613-010502-0 20805	COS/FUV, TIME-TAG, PSA	G140L 1105 A	FP-POS=1; SEGMENT=A; FLASH=YES; EXTENDED=NO; BUFFER-TIME=58 3		683. Secs [==>]	[1]
	3	63932-FP-P OS2 (COS.sp.184 474)	(5) IC1613-010502-0 20805	COS/FUV, TIME-TAG, PSA	G140L 1105 A	FP-POS=2; SEGMENT=A; FLASH=YES; EXTENDED=NO; BUFFER-TIME=11 00		1200. Secs [==>]	[1]
	4	63932-FP-P OS3 (COS.sp.184 474)	(5) IC1613-010502-0 20805	COS/FUV, TIME-TAG, PSA	G140L 1105 A	FP-POS=3; SEGMENT=A; FLASH=YES; EXTENDED=NO; BUFFER-TIME=11 00	Prime + Parallel Gro up 4-5 in Visit 06	1200. Secs [==>]	[2]
	5	FIELD5-F5 55W	ANY	WFC3/UVIS, ACCUM, UVIS	F555W	CR-SPLIT=2	Prime + Parallel Gro up 4-5 in Visit 06	120 Secs [==>(Split 1)] [==>(Split 2)]	[2]
	6	63932-FP-P OS4 (COS.sp.184 474)	(5) IC1613-010502-0 20805	COS/FUV, TIME-TAG, PSA	G140L 1105 A	FP-POS=4; SEGMENT=A; FLASH=YES; EXTENDED=NO; BUFFER-TIME=11 00	Prime + Parallel Gro up 6-8 in Visit 06	1200. Secs [==>]	[2]
	7	FIELD5-F3 36W	ANY	WFC3/UVIS, ACCUM, UVIS	F336W	CR-SPLIT=2	Prime + Parallel Gro up 6-8 in Visit 06	120 Secs [==>(Split 1)] [==>(Split 2)]	[2]
	8	FIELD5-F4 38W	ANY	WFC3/UVIS, ACCUM, UVIS	F438W	CR-SPLIT=2	Prime + Parallel Gro up 6-8 in Visit 06	120 Secs [==>(Split 1)] [==>(Split 2)]	[2]



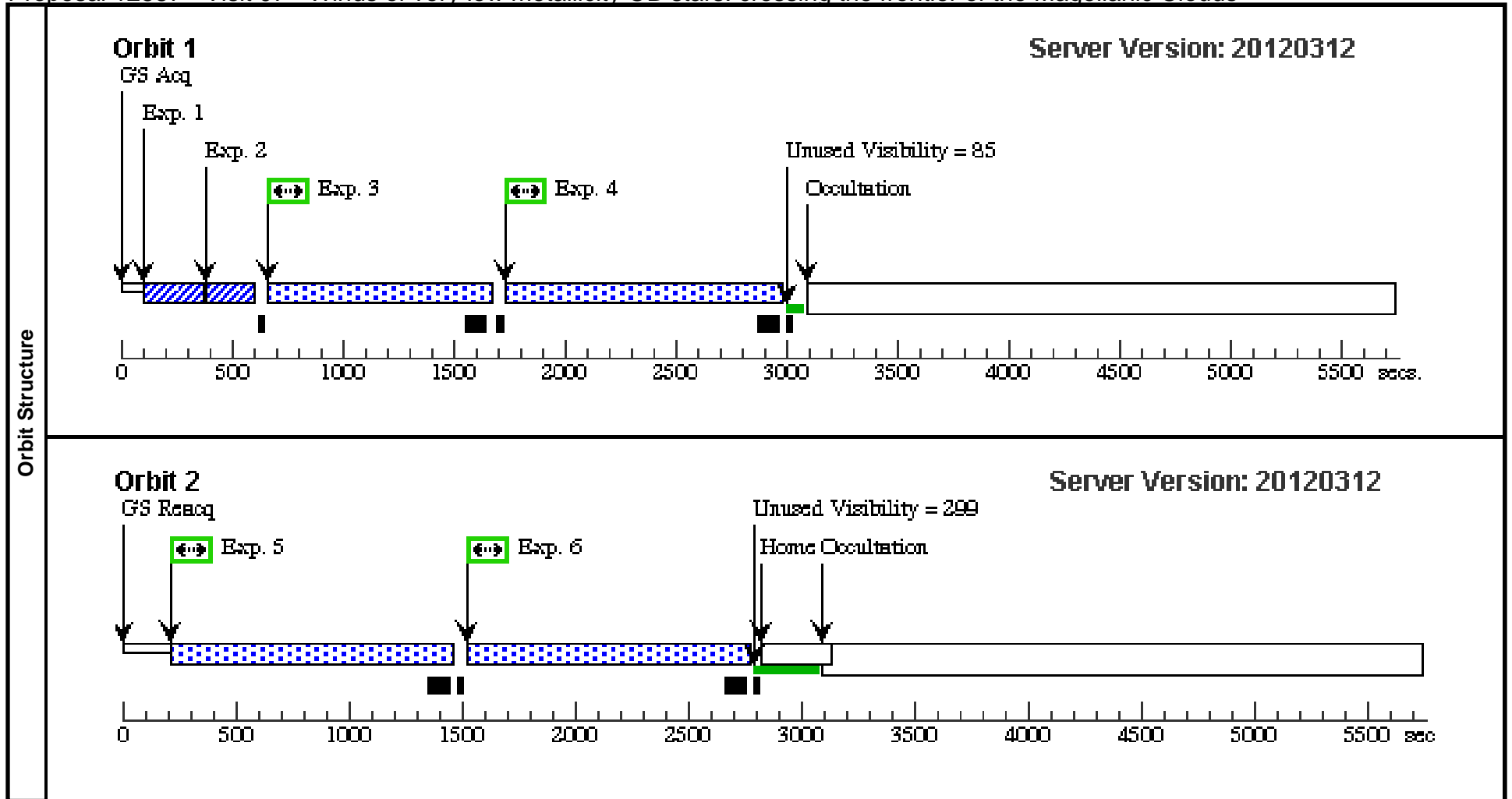
Proposal 12587 - Visit 07 - Winds of very low metallicity OB stars: crossing the frontier of the Magellanic Clouds

Wed Apr 04 01:33:36 GMT 2012

Visit	Proposal 12587, Visit 07, implementation Diagnostic Status: Warning Scientific Instruments: COS/FUV Special Requirements: VISIBILITY INTERVAL 51.5 M																																								
Diagnostics	(Visit 07) Warning (Form): If the target coordinates are not known to 0.4" (or better) an ACQ/SEARCH should precede the ACQ/PEAKXD.																																								
Fixed Targets	<table border="1"> <thead> <tr> <th>#</th> <th>Name</th> <th>Target Coordinates</th> <th>Targ. Coord. Corrections</th> <th>Fluxes</th> <th>Miscellaneous</th> </tr> </thead> <tbody> <tr> <td>(6)</td> <td>IC1613-010501-021041</td> <td>RA: 01 05 0.9150 (16.2538125d)</td> <td></td> <td>V=17.423+/-0.0043</td> <td>Reference Frame: ICRS</td> </tr> <tr> <td></td> <td>Alt Name1: 62390</td> <td>Dec: +02 10 41.48 (2.17819d)</td> <td></td> <td>TYPE=O9.5I,</td> <td></td> </tr> <tr> <td></td> <td></td> <td>Equinox: J2000</td> <td></td> <td>B-V = -0.135,</td> <td></td> </tr> <tr> <td></td> <td></td> <td></td> <td></td> <td>E(B-V) = 0.135,</td> <td></td> </tr> <tr> <td></td> <td></td> <td></td> <td></td> <td>F-CONT(1300) =65E-16</td> <td></td> </tr> </tbody> </table>	#	Name	Target Coordinates	Targ. Coord. Corrections	Fluxes	Miscellaneous	(6)	IC1613-010501-021041	RA: 01 05 0.9150 (16.2538125d)		V=17.423+/-0.0043	Reference Frame: ICRS		Alt Name1: 62390	Dec: +02 10 41.48 (2.17819d)		TYPE=O9.5I,				Equinox: J2000		B-V = -0.135,						E(B-V) = 0.135,						F-CONT(1300) =65E-16					
#	Name	Target Coordinates	Targ. Coord. Corrections	Fluxes	Miscellaneous																																				
(6)	IC1613-010501-021041	RA: 01 05 0.9150 (16.2538125d)		V=17.423+/-0.0043	Reference Frame: ICRS																																				
	Alt Name1: 62390	Dec: +02 10 41.48 (2.17819d)		TYPE=O9.5I,																																					
		Equinox: J2000		B-V = -0.135,																																					
				E(B-V) = 0.135,																																					
				F-CONT(1300) =65E-16																																					

Proposal 12587 - Visit 07 - Winds of very low metallicity OB stars: crossing the frontier of the Magellanic Clouds

Exposures	#	Label (ETC Run)	Target	Config,Mode,Aperture	Spectral Els.	Opt. Params.	Special Reqs.	Groups	Exp. Time/[Actual Dur.]	Orbit
	1	62390-Acq1 (COS.sa.184 368)	(6) IC1613-010501-0 21041	COS/FUV, ACQ/PEAKXD, PSA	G140L 1105 A	SEGMENT=A			10 Secs [==>]	[1]
	2	62390-Acq2 (COS.sa.184 368)	(6) IC1613-010501-0 21041	COS/FUV, ACQ/PEAKD, PSA	G140L 1105 A	SEGMENT=A; NUM-POS=5.0; STEP-SIZE=0.9; CENTER=FLUX-W T-FLR			15 Secs [==>]	[1]
	3	62390-FP-P OS1 (COS.sp.184 371)	(6) IC1613-010501-0 21041	COS/FUV, TIME-TAG, PSA	G140L 1105 A	BUFFER-TIME=79 4; EXTENDED=NO; FLASH=YES; FP-POS=1; SEGMENT=A			894 Secs [==>]	[1]
	4	62390-FP-P OS2 (COS.sp.184 371)	(6) IC1613-010501-0 21041	COS/FUV, TIME-TAG, PSA	G140L 1105 A	BUFFER-TIME=11 00; EXTENDED=NO; FLASH=YES; FP-POS=2; SEGMENT=A			1200. Secs [==>]	[1]
	5	62390-FP-P OS3 (COS.sp.184 371)	(6) IC1613-010501-0 21041	COS/FUV, TIME-TAG, PSA	G140L 1105 A	BUFFER-TIME=11 00; EXTENDED=NO; FLASH=YES; FP-POS=3; SEGMENT=A			1200. Secs [==>]	[2]
	6	62390-FP-P OS4 (COS.sp.184 371)	(6) IC1613-010501-0 21041	COS/FUV, TIME-TAG, PSA	G140L 1105 A	BUFFER-TIME=11 00; EXTENDED=NO; FLASH=YES; FP-POS=4; SEGMENT=A			1200. Secs [==>]	[2]



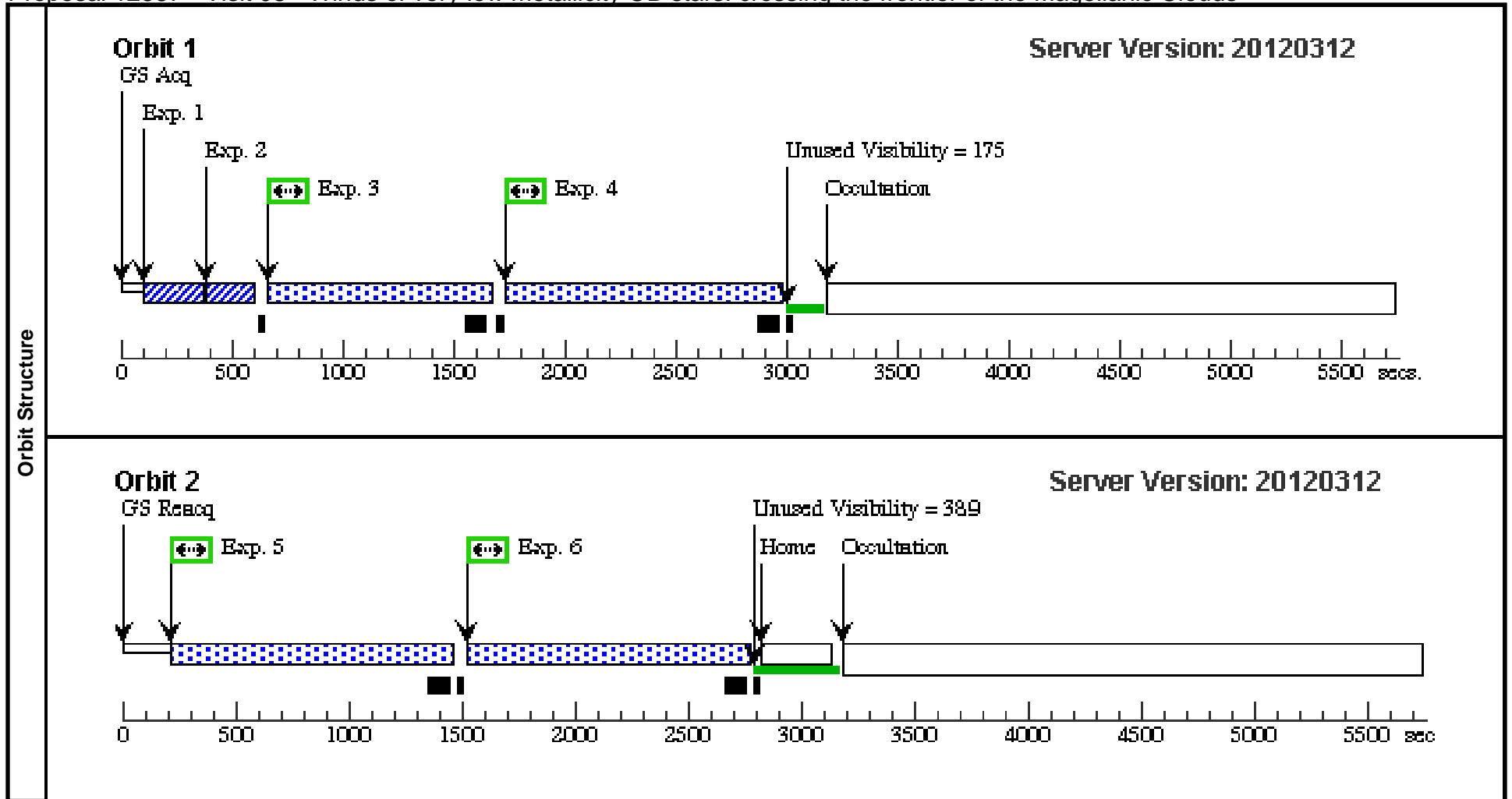
Proposal 12587 - Visit 08 - Winds of very low metallicity OB stars: crossing the frontier of the Magellanic Clouds

Wed Apr 04 01:33:37 GMT 2012

Visit	Proposal 12587, Visit 08, implementation Diagnostic Status: Warning Scientific Instruments: COS/FUV Special Requirements: VISIBILITY INTERVAL 53 M					
	(Visit 08) Warning (Form): If the target coordinates are not known to 0.4" (or better) an ACQ/SEARCH should precede the ACQ/PEAKXD.					
Diagnosics						
Fixed Targets	#	Name	Target Coordinates	Targ. Coord. Corrections	Fluxes	Miscellaneous
	(7)	IC1613-010506-020931 Alt Name1: 69336	RA: 01 05 6.3700 (16.2765417d) Dec: +02 09 31.34 (2.15871d) Equinox: J2000		V=17.686+/- 0.0134 TYPE=B0Ia, B-V = -0.152, E(B-V) = 0.088, F-CONT(1300) =9E-15	Reference Frame: ICRS

Proposal 12587 - Visit 08 - Winds of very low metallicity OB stars: crossing the frontier of the Magellanic Clouds

Exposures	#	Label (ETC Run)	Target	Config,Mode,Aperture	Spectral Els.	Opt. Params.	Special Reqs.	Groups	Exp. Time/[Actual Dur.]	Orbit
	1	69336-Acq1 (COS.sa.184 373)	(7) IC1613-010506-0 20931	COS/FUV, ACQ/PEAKXD, PSA	G140L 1105 A	SEGMENT=A			10 Secs [==>]	[1]
	2	69336-Acq2 (COS.sa.184 373)	(7) IC1613-010506-0 20931	COS/FUV, ACQ/PEAKD, PSA	G140L 1105 A	SEGMENT=A; NUM-POS=5.0; STEP-SIZE=0.9; CENTER=FLUX-W T-FLR			15 Secs [==>]	[1]
	3	69336-FP-P OS1 (COS.sp.184 376)	(7) IC1613-010506-0 20931	COS/FUV, TIME-TAG, PSA	G140L 1105 A	BUFFER-TIME=79 4; EXTENDED=NO; FLASH=YES; FP-POS=1; SEGMENT=A			894 Secs [==>]	[1]
	4	69336-FP-P OS2 (COS.sp.184 376)	(7) IC1613-010506-0 20931	COS/FUV, TIME-TAG, PSA	G140L 1105 A	BUFFER-TIME=11 00; EXTENDED=NO; FLASH=YES; FP-POS=2; SEGMENT=A			1200. Secs [==>]	[1]
	5	69336-FP-P OS3 (COS.sp.184 376)	(7) IC1613-010506-0 20931	COS/FUV, TIME-TAG, PSA	G140L 1105 A	BUFFER-TIME=11 00; EXTENDED=NO; FLASH=YES; FP-POS=3; SEGMENT=A			1200. Secs [==>]	[2]
	6	69336-FP-P OS4 (COS.sp.184 376)	(7) IC1613-010506-0 20931	COS/FUV, TIME-TAG, PSA	G140L 1105 A	BUFFER-TIME=11 00; EXTENDED=NO; FLASH=YES; FP-POS=4; SEGMENT=A			1200. Secs [==>]	[2]



Proposal 12587 - Visit 09 - Winds of very low metallicity OB stars: crossing the frontier of the Magellanic Clouds

Wed Apr 04 01:33:38 GMT 2012

Visit	<p>Proposal 12587, Visit 09, implementation</p> <p>Diagnostic Status: Warning</p> <p>Scientific Instruments: COS/FUV, WFC3/UVIS</p> <p>Special Requirements: VISIBILITY INTERVAL 51.5 M</p>					
Diagnostics	<p>(Visit 09) Warning (Form): If the target coordinates are not known to 0.4" (or better) an ACQ/SEARCH should precede the ACQ/PEAKXD.</p> <p>(Visit 09) Warning (Orbit Planner): PARALLELS SIGNIFICANTLY EXTEND ALIGNMENT TIME</p>					
Fixed Targets	#	Name	Target Coordinates	Targ. Coord. Corrections	Fluxes	Miscellaneous
	(8)	IC1613-010460-020916 Alt Name1: 60449	RA: 01 04 59.5520 (16.2481333d) Dec: +02 09 16.12 (2.15448d) Equinox: J2000		V=18.232+/- 0.0058 TYPE=B1.5Ia, B-V = -0.128, E(B-V) = 0.052, F-CONT(1300) =6.0E-15	Reference Frame: ICRS

Proposal 12587 - Visit 09 - Winds of very low metallicity OB stars: crossing the frontier of the Magellanic Clouds

Exposures	#	Label (ETC Run)	Target	Config,Mode,Aperture	Spectral Els.	Opt. Params.	Special Reqs.	Groups	Exp. Time/[Actual Dur.]	Orbit
	1	60449-Acq1 (COS.sa.183 617)	(8) IC1613-010460-0 20916	COS/FUV, ACQ/PEAKXD, PSA	G140L 1105 A	SEGMENT=A			10 Secs [==>]	[1]
	2	60449-Acq2 (COS.sa.183 617)	(8) IC1613-010460-0 20916	COS/FUV, ACQ/PEAKD, PSA	G140L 1105 A	SEGMENT=A; NUM-POS=5.0; STEP-SIZE=0.9; CENTER=FLUX-W T-FLR			20 Secs [==>]	[1]
	3	60449-FP-P OS1 (COS.sp.183 618)	(8) IC1613-010460-0 20916	COS/FUV, TIME-TAG, PSA	G140L 1105 A	BUFFER-TIME=76 9; EXTENDED=NO; FLASH=YES; FP-POS=1; SEGMENT=A			869 Secs [==>]	[1]
	4	60449-FP-P OS2 (COS.sp.183 618)	(8) IC1613-010460-0 20916	COS/FUV, TIME-TAG, PSA	G140L 1105 A	BUFFER-TIME=11 00; EXTENDED=NO; FLASH=YES; FP-POS=2; SEGMENT=A			1200. Secs [==>]	[1]
	5	60449-FP-P OS3 (COS.sp.183 618)	(8) IC1613-010460-0 20916	COS/FUV, TIME-TAG, PSA	G140L 1105 A	BUFFER-TIME=11 00; EXTENDED=NO; FLASH=YES; FP-POS=3; SEGMENT=A	Prime + Parallel Gro up 5-6 in Visit 09		1200. Secs [==>]	[2]
	6	FIELD6-F5 5W	ANY	WFC3/UVIS, ACCUM, UVIS	F555W	CR-SPLIT=2		Prime + Parallel Gro up 5-6 in Visit 09	120 Secs [==>(Split 1)] [==>(Split 2)]	[2]
	7	60449-FP-P OS4 (COS.sp.183 618)	(8) IC1613-010460-0 20916	COS/FUV, TIME-TAG, PSA	G140L 1105 A	BUFFER-TIME=11 00; EXTENDED=NO; FLASH=YES; FP-POS=4; SEGMENT=A		Prime + Parallel Gro up 7-9 in Visit 09	1200. Secs [==>]	[2]
	8	FIELD6-F3 36W	ANY	WFC3/UVIS, ACCUM, UVIS	F336W	CR-SPLIT=2		Prime + Parallel Gro up 7-9 in Visit 09	120 Secs [==>(Split 1)] [==>(Split 2)]	[2]
	9	FIELD6-F4 38W	ANY	WFC3/UVIS, ACCUM, UVIS	F438W	CR-SPLIT=2		Prime + Parallel Gro up 7-9 in Visit 09	120 Secs [==>(Split 1)] [==>(Split 2)]	[2]

