



# 12605 - Advances in Understanding Multiple Stellar Generations in Globular Clusters

Cycle: 19, Proposal Category: GO  
(Availability Mode: SUPPORTED)

## INVESTIGATORS

<i>Name</i>	<i>Institution</i>	<i>E-Mail</i>
<b>Prof. Giampaolo Piotto (PI) (ESA Member) (Contact)</b>	<b>Universita degli Studi di Padova</b>	<b>giampaolo.piotto@unipd.it</b>
Dr. Jay Anderson (CoI) (AdminUSPI)	Space Telescope Science Institute	jayander@stsci.edu
Dr. Luigi R. Bedin (CoI) (ESA Member) (Contact)	Osservatorio Astronomico di Padova	luigi.bedin@oapd.inaf.it
Dr. Andrea J. Bellini (CoI)	Space Telescope Science Institute	bellini@stsci.edu
Dr. Santi Cassisi (CoI) (ESA Member)	INAF, Osservatorio Astronomico di Teramo	cassisi@oa-teramo.inaf.it
Dr. Francesca D'Antona (CoI) (ESA Member)	INAF, Osservatorio Astronomico di Roma	dantona@mporzio.astro.it
Dr. Raffaele Gratton (CoI) (ESA Member)	Osservatorio Astronomico di Padova	raffaele.gratton@oapd.inaf.it
Dr. Ivan R. King (CoI)	University of Washington	king@astro.washington.edu
Mr. Luca Malavolta (CoI) (ESA Member)	Universita degli Studi di Padova	luca.malavolta@studenti.unipd.it
Dr. Anna Fabiola Marino (CoI) (ESA Member)	Max-Planck-Institut fur Astrophysik	amarino@mpa-garching.mpg.de
Dr. Antonino Milone (CoI) (ESA Member)	Instituto de Astrofisica de Canarias	milone@iac.es
Prof. Alvio Renzini (CoI) (ESA Member)	Osservatorio Astronomico di Padova	alvio.renzini@oapd.inaf.it

## VISITS

<i>Visit</i>	<i>Targets used in Visit</i>	<i>Configurations used in Visit</i>	<i>Orbits Used</i>	<i>Last Orbit Planner Run</i>	<i>OP Current with Visit?</i>
01	(1) M-3	WFC3/UVIS	1	06-Sep-2012 21:11:48.0	yes
02	(1) M-3	WFC3/UVIS	1	06-Sep-2012 21:11:59.0	yes
03	(2) M-13	WFC3/UVIS	1	06-Sep-2012 21:12:08.0	yes

Proposal 12605 (STScI Edit Number: 1, Created: Thursday, September 6, 2012 8:14:44 PM EST) - Overview

<i>Visit</i>	<i>Targets used in Visit</i>	<i>Configurations used in Visit</i>	<i>Orbits Used</i>	<i>Last Orbit Planner Run</i>	<i>OP Current with Visit?</i>
04	(2) M-13	WFC3/UVIS	1	06-Sep-2012 21:12:17.0	yes
05	(3) NGC-288	WFC3/UVIS	1	06-Sep-2012 21:12:26.0	yes
06	(3) NGC-288	WFC3/UVIS	1	06-Sep-2012 21:12:34.0	yes
07	(4) NGC-362	WFC3/UVIS	1	06-Sep-2012 21:12:42.0	yes
08	(4) NGC-362	WFC3/UVIS	1	06-Sep-2012 21:12:51.0	yes
09	(7) M-15	WFC3/UVIS	1	06-Sep-2012 21:12:58.0	yes
10	(7) M-15	WFC3/UVIS	1	06-Sep-2012 21:13:05.0	yes
11	(7) M-15	WFC3/UVIS	1	06-Sep-2012 21:13:12.0	yes
12	(5) NGC-2808	ACS/WFC WFC3/UVIS	1	06-Sep-2012 21:13:19.0	yes
13	(5) NGC-2808	ACS/WFC WFC3/UVIS	1	06-Sep-2012 21:13:27.0	yes
14	(5) NGC-2808	ACS/WFC WFC3/UVIS	1	06-Sep-2012 21:13:35.0	yes
15	(5) NGC-2808	ACS/WFC WFC3/UVIS	1	06-Sep-2012 21:13:42.0	yes
16	(5) NGC-2808	ACS/WFC WFC3/UVIS	1	06-Sep-2012 21:13:50.0	yes
17	(5) NGC-2808	ACS/WFC WFC3/UVIS	1	06-Sep-2012 21:13:58.0	yes
18	(6) M-80	ACS/WFC WFC3/UVIS	1	06-Sep-2012 21:14:05.0	yes
19	(6) M-80	ACS/WFC WFC3/UVIS	1	06-Sep-2012 21:14:13.0	yes
20	(6) M-80	ACS/WFC WFC3/UVIS	1	06-Sep-2012 21:14:21.0	yes

<i>Visit</i>	<i>Targets used in Visit</i>	<i>Configurations used in Visit</i>	<i>Orbits Used</i>	<i>Last Orbit Planner Run</i>	<i>OP Current with Visit?</i>
21	(6) M-80	ACS/WFC WFC3/UVIS	1	06-Sep-2012 21:14:28.0	yes
22	(6) M-80	ACS/WFC WFC3/UVIS	1	06-Sep-2012 21:14:36.0	yes

22 Total Orbits Used

### **ABSTRACT**

This is a proposal to use WFC3 for striking new advances in the populations of globular clusters (GC). Now that recent work (much of it by our own group) has shattered the 50-year-old belief that each GC represents a single event of star-birth, with a single chemical composition, we propose to exploit the superb UV throughput of WFC3 to split main sequences with an unprecedented fineness, and follow them in all evolutionary sequences, up to the horizontal branch (HB), in a quest to finally solve the long-sought "second parameter". From our vantage point in the midst of these developments, we feel that the present-day situation merits a concentration of efforts on HST UV resources, that, in a few years, will not be available any more. We are therefore proposing to observe two classical second-parameter GC couples (NGC 288/NGC 362 and M3/M13), and three clusters with extreme HB extensions (NGC2808,M80,M15) in F275W/F336W/F438W bands. The main-sequence study will cast particular light on the question of helium enrichment, whereas the clear separation of the more advanced evolutionary sequences (SGB, RGB, HB) will allow us to identify the evolutionary paths of each individual sub-population. In this way, we shall gather critical information capable of shedding fresh light on the sequence of events that have been responsible for the subsequent formation of the various sub-populations.

### **OBSERVING DESCRIPTION**

We plant to take 4 to 6 optimally dithered exposures in each of the following filters:

F275W, F336W, and F814W.

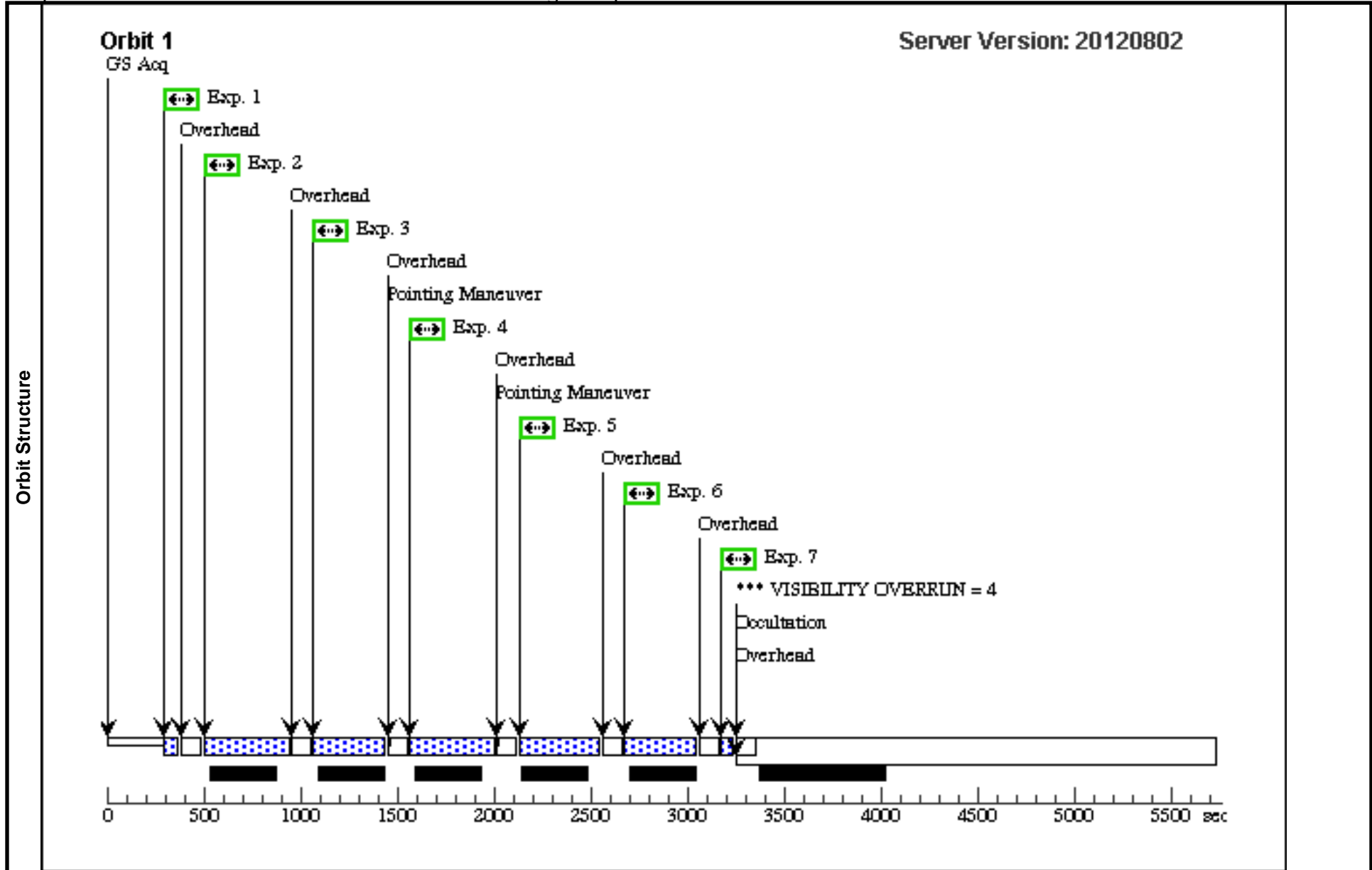
Parallels will be collected only for M80 and NGC2808.

In the case of NGC 2808 an optimal orient angle would be 217.2degree, but to ease schedulability we slightly enlarge the ORIENT window.

Proposal 12605 - Visit 01 - Advances in Understanding Multiple Stellar Generations in Globular Clusters

Fri Sep 07 01:14:45 GMT 2012

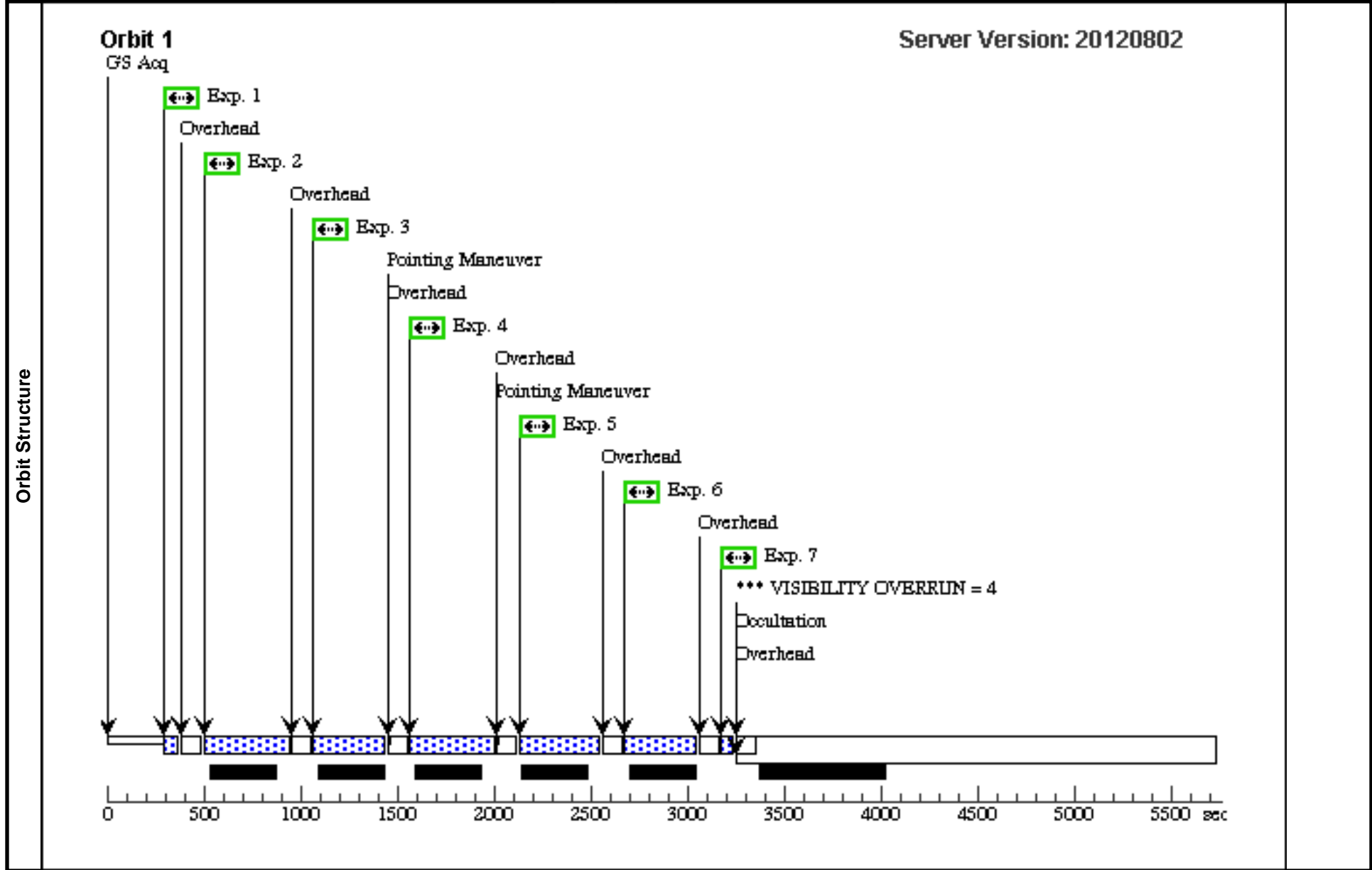
<b>Visit</b>	<b>Proposal 12605, Visit 01, completed</b> <b>Diagnostic Status: Warning</b> Scientific Instruments: WFC3/UVIS Special Requirements: (none) <i>Comments: M3 --- part I</i>									
	(Visit 01) Warning (Orbit Planner): VISIBILITY OVERRUN									
<b>Fixed Targets</b>	<b>#</b>	<b>Name</b>	<b>Target Coordinates</b>	<b>Targ. Coord. Corrections</b>	<b>Fluxes</b>	<b>Miscellaneous</b>				
	(1)	M-3	RA: 13 42 11.2300 (205.5467917d) Dec: +28 22 31.60 (28.37544d) Equinox: J2000		V=6.2	Reference Frame: ICRS				
<i>Comments: This object was generated by the targetselector and retrieved from the SIMBAD database.</i>										
<b>Exposures</b>	<b>#</b>	<b>Label</b>	<b>Target</b>	<b>Config,Mode,Aperture</b>	<b>Spectral Els.</b>	<b>Opt. Params.</b>	<b>Special Reqs.</b>	<b>Groups</b>	<b>Exp. Time/[Actual Dur.]</b>	<b>Orbit</b>
	1	(1) M-3	(1) M-3	WFC3/UVIS, ACCUM, UVIS-CENTER	F438W		POS TARG -10.006 6,-10.0066		42 Secs [==>]	[1]
	2	(1) M-3	(1) M-3	WFC3/UVIS, ACCUM, UVIS-CENTER	F275W		POS TARG -10.006 6,-10.0066		415 Secs [==>]	[1]
	3	(1) M-3	(1) M-3	WFC3/UVIS, ACCUM, UVIS-CENTER	F336W		POS TARG -10.006 6,-10.0066		350 Secs [==>]	[1]
	4	(1) M-3	(1) M-3	WFC3/UVIS, ACCUM, UVIS-CENTER	F275W		POS TARG -5.0132, -5.0132		415 Secs [==>]	[1]
	5	(1) M-3	(1) M-3	WFC3/UVIS, ACCUM, UVIS-CENTER	F275W		POS TARG 0.0199,0 .0199		415 Secs [==>]	[1]
	6	(1) M-3	(1) M-3	WFC3/UVIS, ACCUM, UVIS-CENTER	F336W		POS TARG 0.0199,0 .0199		350 Secs [==>]	[1]
	7	(1) M-3	(1) M-3	WFC3/UVIS, ACCUM, UVIS-CENTER	F438W		POS TARG 0.0199,0 .0199		42 Secs [==>]	[1]



Proposal 12605 - Visit 02 - Advances in Understanding Multiple Stellar Generations in Globular Clusters

Fri Sep 07 01:14:47 GMT 2012

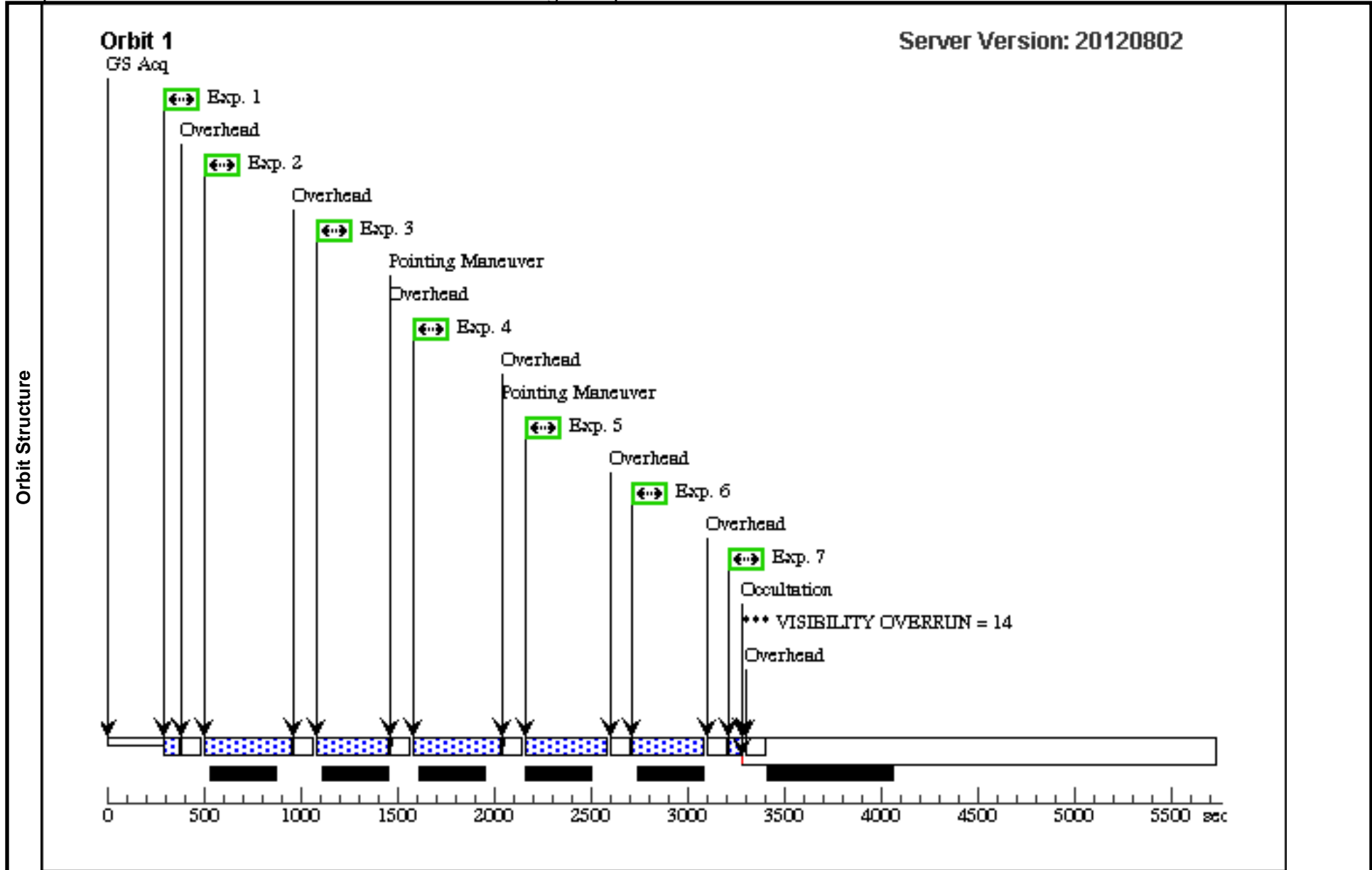
<b>Visit</b>	<b>Proposal 12605, Visit 02, completed</b> <b>Diagnostic Status: Warning</b> Scientific Instruments: WFC3/UVIS Special Requirements: SAME ORIENT AS 01 <i>Comments: M3 --- part II</i>									
	(Visit 02) Warning (Orbit Planner): VISIBILITY OVERRUN									
<b>Fixed Targets</b>	<b>#</b>	<b>Name</b>	<b>Target Coordinates</b>	<b>Targ. Coord. Corrections</b>	<b>Fluxes</b>	<b>Miscellaneous</b>				
	(1)	M-3	RA: 13 42 11.2300 (205.5467917d) Dec: +28 22 31.60 (28.37544d) Equinox: J2000 <i>Comments: This object was generated by the targetselector and retrieved from the SIMBAD database.</i>		V=6.2	Reference Frame: ICRS				
<b>Exposures</b>	<b>#</b>	<b>Label</b>	<b>Target</b>	<b>Config,Mode,Aperture</b>	<b>Spectral Els.</b>	<b>Opt. Params.</b>	<b>Special Reqs.</b>	<b>Groups</b>	<b>Exp. Time/[Actual Dur.]</b>	<b>Orbit</b>
	1	(1) M-3	(1) M-3	WFC3/UVIS, ACCUM, UVIS-CENTER	F438W		POS TARG 5.0265,5 .0265		42 Secs [==>]	[1]
	2	(1) M-3	(1) M-3	WFC3/UVIS, ACCUM, UVIS-CENTER	F275W		POS TARG 5.0265,5 .0265		415 Secs [==>]	[1]
	3	(1) M-3	(1) M-3	WFC3/UVIS, ACCUM, UVIS-CENTER	F336W		POS TARG 5.0265,5 .0265		350 Secs [==>]	[1]
	4	(1) M-3	(1) M-3	WFC3/UVIS, ACCUM, UVIS-CENTER	F275W		POS TARG 10.0331, 10.0331		415 Secs [==>]	[1]
	5	(1) M-3	(1) M-3	WFC3/UVIS, ACCUM, UVIS-CENTER	F275W		POS TARG 15.0398, 15.0398		415 Secs [==>]	[1]
	6	(1) M-3	(1) M-3	WFC3/UVIS, ACCUM, UVIS-CENTER	F336W		POS TARG 15.0398, 15.0398		350 Secs [==>]	[1]
	7	(1) M-3	(1) M-3	WFC3/UVIS, ACCUM, UVIS-CENTER	F438W		POS TARG 15.0398, 15.0398		42 Secs [==>]	[1]



Proposal 12605 - Visit 03 - Advances in Understanding Multiple Stellar Generations in Globular Clusters

Fri Sep 07 01:14:48 GMT 2012

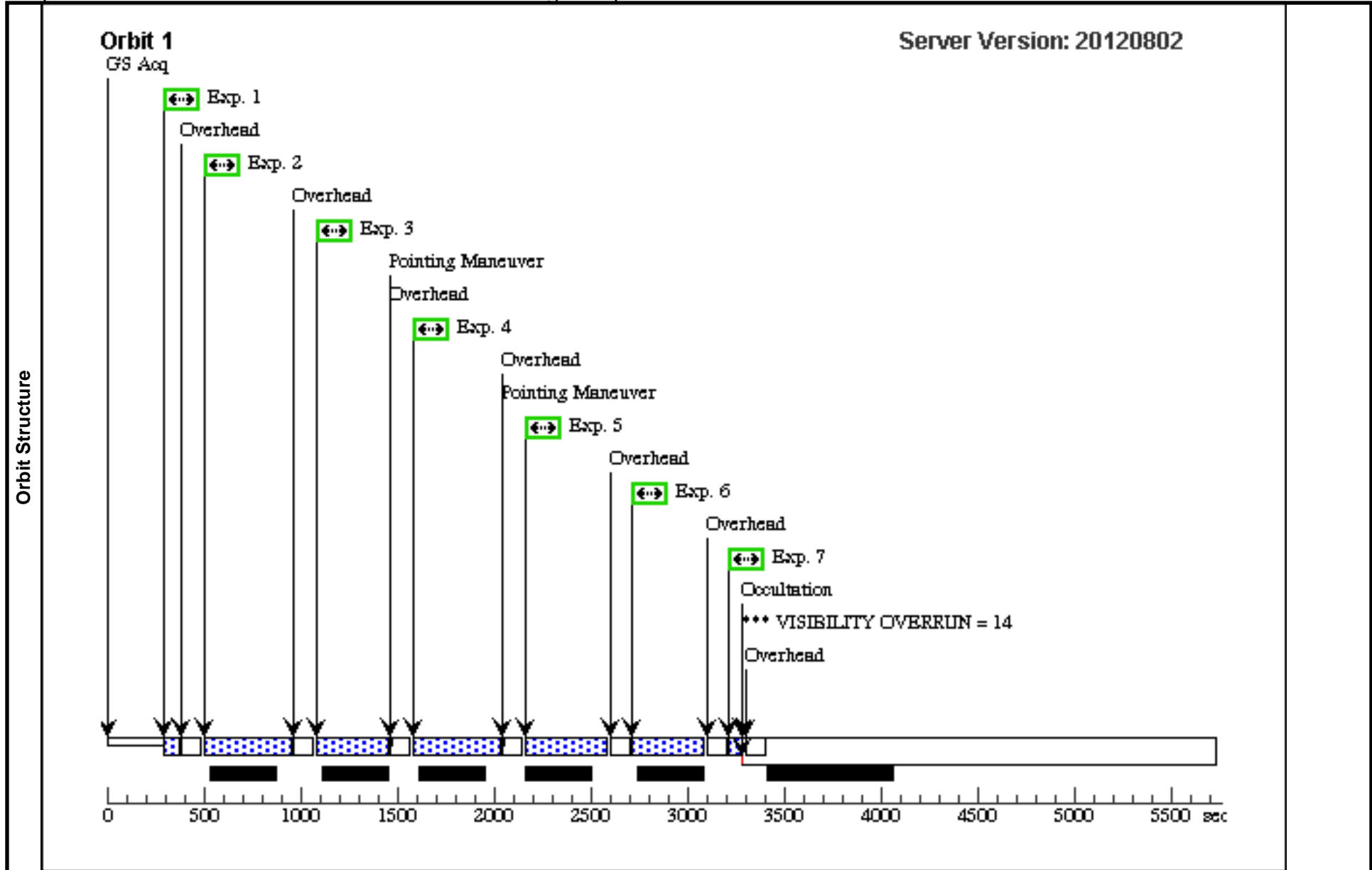
<b>Visit</b>	<b>Proposal 12605, Visit 03, completed</b> <b>Diagnostic Status: Warning</b> Scientific Instruments: WFC3/UVIS Special Requirements: (none) <i>Comments: M13 --- part I</i>																																																																																					
	(Visit 03) Warning (Orbit Planner): VISIBILITY OVERRUN																																																																																					
<b>Diagnosics</b>																																																																																						
<b>Fixed Targets</b>	<table border="1"> <thead> <tr> <th>#</th> <th>Name</th> <th>Target Coordinates</th> <th>Targ. Coord. Corrections</th> <th>Fluxes</th> <th>Miscellaneous</th> </tr> </thead> <tbody> <tr> <td>(2)</td> <td>M-13</td> <td>RA: 16 41 41.6340 (250.4234750d) Dec: +36 27 40.75 (36.46132d) Equinox: J2000</td> <td></td> <td>V=5.8</td> <td>Reference Frame: ICRS</td> </tr> </tbody> </table>	#	Name	Target Coordinates	Targ. Coord. Corrections	Fluxes	Miscellaneous	(2)	M-13	RA: 16 41 41.6340 (250.4234750d) Dec: +36 27 40.75 (36.46132d) Equinox: J2000		V=5.8	Reference Frame: ICRS	<i>Comments: This object was generated by the targetselector and retrieved from the SIMBAD database.</i>																																																																								
	#	Name	Target Coordinates	Targ. Coord. Corrections	Fluxes	Miscellaneous																																																																																
(2)	M-13	RA: 16 41 41.6340 (250.4234750d) Dec: +36 27 40.75 (36.46132d) Equinox: J2000		V=5.8	Reference Frame: ICRS																																																																																	
<b>Exposures</b>	<table border="1"> <thead> <tr> <th>#</th> <th>Label</th> <th>Target</th> <th>Config,Mode,Aperture</th> <th>Spectral Els.</th> <th>Opt. Params.</th> <th>Special Reqs.</th> <th>Groups</th> <th>Exp. Time/[Actual Dur.]</th> <th>Orbit</th> </tr> </thead> <tbody> <tr> <td>1</td> <td></td> <td>(2) M-13</td> <td>WFC3/UVIS, ACCUM, UVIS-CENTER</td> <td>F438W</td> <td></td> <td>POS TARG -10.006 6,-10.0066</td> <td></td> <td>46 Secs [==&gt;]</td> <td>[1]</td> </tr> <tr> <td>2</td> <td></td> <td>(2) M-13</td> <td>WFC3/UVIS, ACCUM, UVIS-CENTER</td> <td>F275W</td> <td></td> <td>POS TARG -10.006 6,-10.0066</td> <td></td> <td>427 Secs [==&gt;]</td> <td>[1]</td> </tr> <tr> <td>3</td> <td></td> <td>(2) M-13</td> <td>WFC3/UVIS, ACCUM, UVIS-CENTER</td> <td>F336W</td> <td></td> <td>POS TARG -10.006 6,-10.0066</td> <td></td> <td>350 Secs [==&gt;]</td> <td>[1]</td> </tr> <tr> <td>4</td> <td></td> <td>(2) M-13</td> <td>WFC3/UVIS, ACCUM, UVIS-CENTER</td> <td>F275W</td> <td></td> <td>POS TARG -5.0132, -5.0132</td> <td></td> <td>427 Secs [==&gt;]</td> <td>[1]</td> </tr> <tr> <td>5</td> <td></td> <td>(2) M-13</td> <td>WFC3/UVIS, ACCUM, UVIS-CENTER</td> <td>F275W</td> <td></td> <td>POS TARG 0.0199,0 .0199</td> <td></td> <td>427 Secs [==&gt;]</td> <td>[1]</td> </tr> <tr> <td>6</td> <td></td> <td>(2) M-13</td> <td>WFC3/UVIS, ACCUM, UVIS-CENTER</td> <td>F336W</td> <td></td> <td>POS TARG 0.0199,0 .0199</td> <td></td> <td>350 Secs [==&gt;]</td> <td>[1]</td> </tr> <tr> <td>7</td> <td></td> <td>(2) M-13</td> <td>WFC3/UVIS, ACCUM, UVIS-CENTER</td> <td>F438W</td> <td></td> <td>POS TARG 0.0199,0 .0199</td> <td></td> <td>46 Secs [==&gt;]</td> <td>[1]</td> </tr> </tbody> </table>	#	Label	Target	Config,Mode,Aperture	Spectral Els.	Opt. Params.	Special Reqs.	Groups	Exp. Time/[Actual Dur.]	Orbit	1		(2) M-13	WFC3/UVIS, ACCUM, UVIS-CENTER	F438W		POS TARG -10.006 6,-10.0066		46 Secs [==>]	[1]	2		(2) M-13	WFC3/UVIS, ACCUM, UVIS-CENTER	F275W		POS TARG -10.006 6,-10.0066		427 Secs [==>]	[1]	3		(2) M-13	WFC3/UVIS, ACCUM, UVIS-CENTER	F336W		POS TARG -10.006 6,-10.0066		350 Secs [==>]	[1]	4		(2) M-13	WFC3/UVIS, ACCUM, UVIS-CENTER	F275W		POS TARG -5.0132, -5.0132		427 Secs [==>]	[1]	5		(2) M-13	WFC3/UVIS, ACCUM, UVIS-CENTER	F275W		POS TARG 0.0199,0 .0199		427 Secs [==>]	[1]	6		(2) M-13	WFC3/UVIS, ACCUM, UVIS-CENTER	F336W		POS TARG 0.0199,0 .0199		350 Secs [==>]	[1]	7		(2) M-13	WFC3/UVIS, ACCUM, UVIS-CENTER	F438W		POS TARG 0.0199,0 .0199		46 Secs [==>]	[1]					
	#	Label	Target	Config,Mode,Aperture	Spectral Els.	Opt. Params.	Special Reqs.	Groups	Exp. Time/[Actual Dur.]	Orbit																																																																												
	1		(2) M-13	WFC3/UVIS, ACCUM, UVIS-CENTER	F438W		POS TARG -10.006 6,-10.0066		46 Secs [==>]	[1]																																																																												
	2		(2) M-13	WFC3/UVIS, ACCUM, UVIS-CENTER	F275W		POS TARG -10.006 6,-10.0066		427 Secs [==>]	[1]																																																																												
	3		(2) M-13	WFC3/UVIS, ACCUM, UVIS-CENTER	F336W		POS TARG -10.006 6,-10.0066		350 Secs [==>]	[1]																																																																												
	4		(2) M-13	WFC3/UVIS, ACCUM, UVIS-CENTER	F275W		POS TARG -5.0132, -5.0132		427 Secs [==>]	[1]																																																																												
	5		(2) M-13	WFC3/UVIS, ACCUM, UVIS-CENTER	F275W		POS TARG 0.0199,0 .0199		427 Secs [==>]	[1]																																																																												
	6		(2) M-13	WFC3/UVIS, ACCUM, UVIS-CENTER	F336W		POS TARG 0.0199,0 .0199		350 Secs [==>]	[1]																																																																												
7		(2) M-13	WFC3/UVIS, ACCUM, UVIS-CENTER	F438W		POS TARG 0.0199,0 .0199		46 Secs [==>]	[1]																																																																													



Proposal 12605 - Visit 04 - Advances in Understanding Multiple Stellar Generations in Globular Clusters

Fri Sep 07 01:14:50 GMT 2012

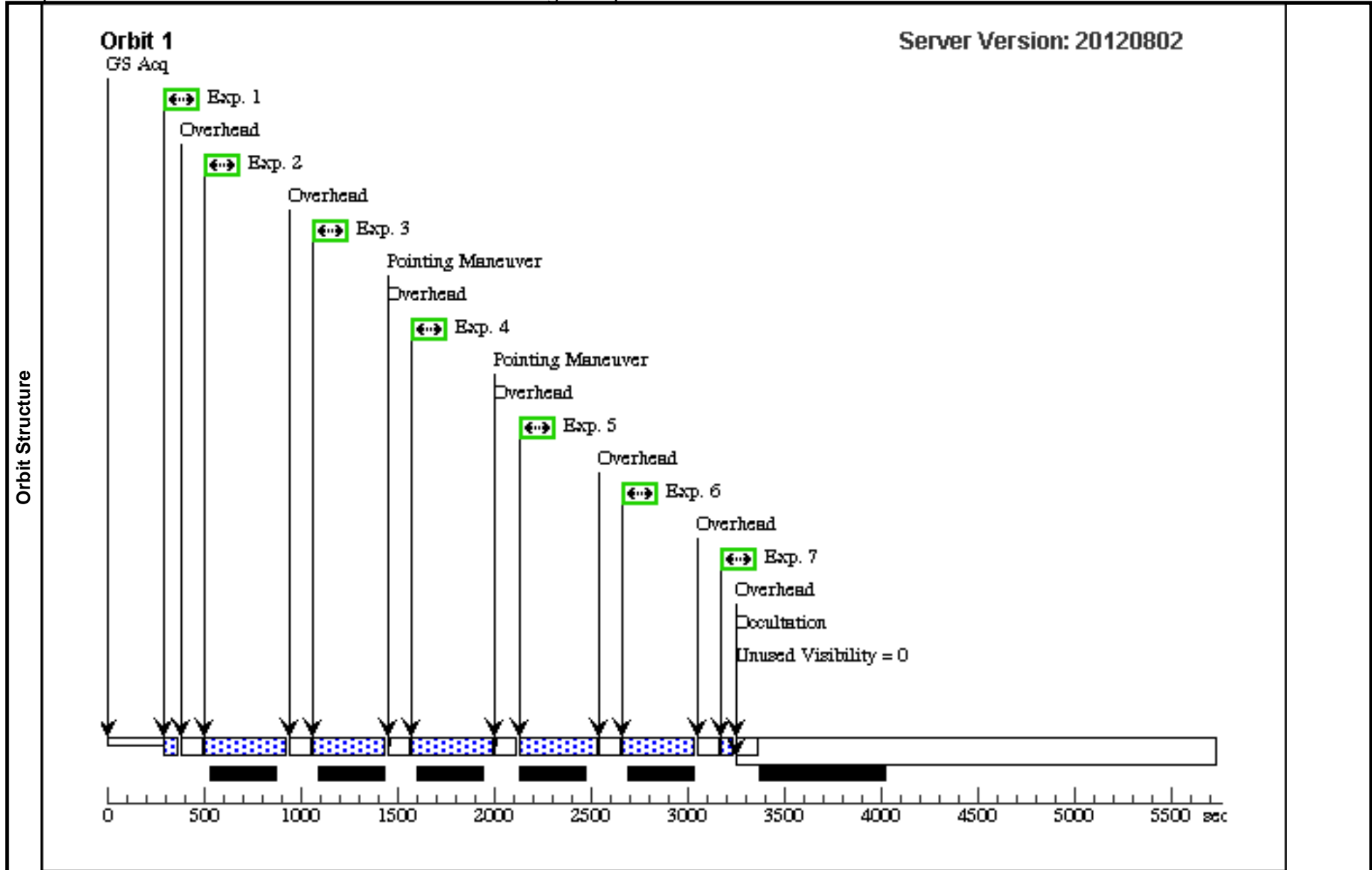
<b>Visit</b>	<b>Proposal 12605, Visit 04, completed</b> <b>Diagnostic Status: Warning</b> Scientific Instruments: WFC3/UVIS Special Requirements: SAME ORIENT AS 03 <i>Comments: M13 --- part II</i>									
	(Visit 04) Warning (Orbit Planner): VISIBILITY OVERRUN									
<b>Fixed Targets</b>	<b>#</b>	<b>Name</b>	<b>Target Coordinates</b>	<b>Targ. Coord. Corrections</b>	<b>Fluxes</b>	<b>Miscellaneous</b>				
	(2)	M-13	RA: 16 41 41.6340 (250.4234750d) Dec: +36 27 40.75 (36.46132d) Equinox: J2000		V=5.8	Reference Frame: ICRS				
<i>Comments: This object was generated by the targetselector and retrieved from the SIMBAD database.</i>										
<b>Exposures</b>	<b>#</b>	<b>Label</b>	<b>Target</b>	<b>Config,Mode,Aperture</b>	<b>Spectral Els.</b>	<b>Opt. Params.</b>	<b>Special Reqs.</b>	<b>Groups</b>	<b>Exp. Time/[Actual Dur.]</b>	<b>Orbit</b>
	1		(2) M-13	WFC3/UVIS, ACCUM, UVIS-CENTER	F438W		POS TARG 5.0265,5 .0265		46 Secs [==>]	[1]
	2		(2) M-13	WFC3/UVIS, ACCUM, UVIS-CENTER	F275W		POS TARG 5.0265,5 .0265		427 Secs [==>]	[1]
	3		(2) M-13	WFC3/UVIS, ACCUM, UVIS-CENTER	F336W		POS TARG 5.0265,5 .0265		350 Secs [==>]	[1]
	4		(2) M-13	WFC3/UVIS, ACCUM, UVIS-CENTER	F275W		POS TARG 10.0331, 10.0331		427 Secs [==>]	[1]
	5		(2) M-13	WFC3/UVIS, ACCUM, UVIS-CENTER	F275W		POS TARG 15.0398, 15.0398		427 Secs [==>]	[1]
	6		(2) M-13	WFC3/UVIS, ACCUM, UVIS-CENTER	F336W		POS TARG 15.0398, 15.0398		350 Secs [==>]	[1]
	7		(2) M-13	WFC3/UVIS, ACCUM, UVIS-CENTER	F438W		POS TARG 15.0398, 15.0398		46 Secs [==>]	[1]



Proposal 12605 - Visit 05 - Advances in Understanding Multiple Stellar Generations in Globular Clusters

Fri Sep 07 01:14:51 GMT 2012

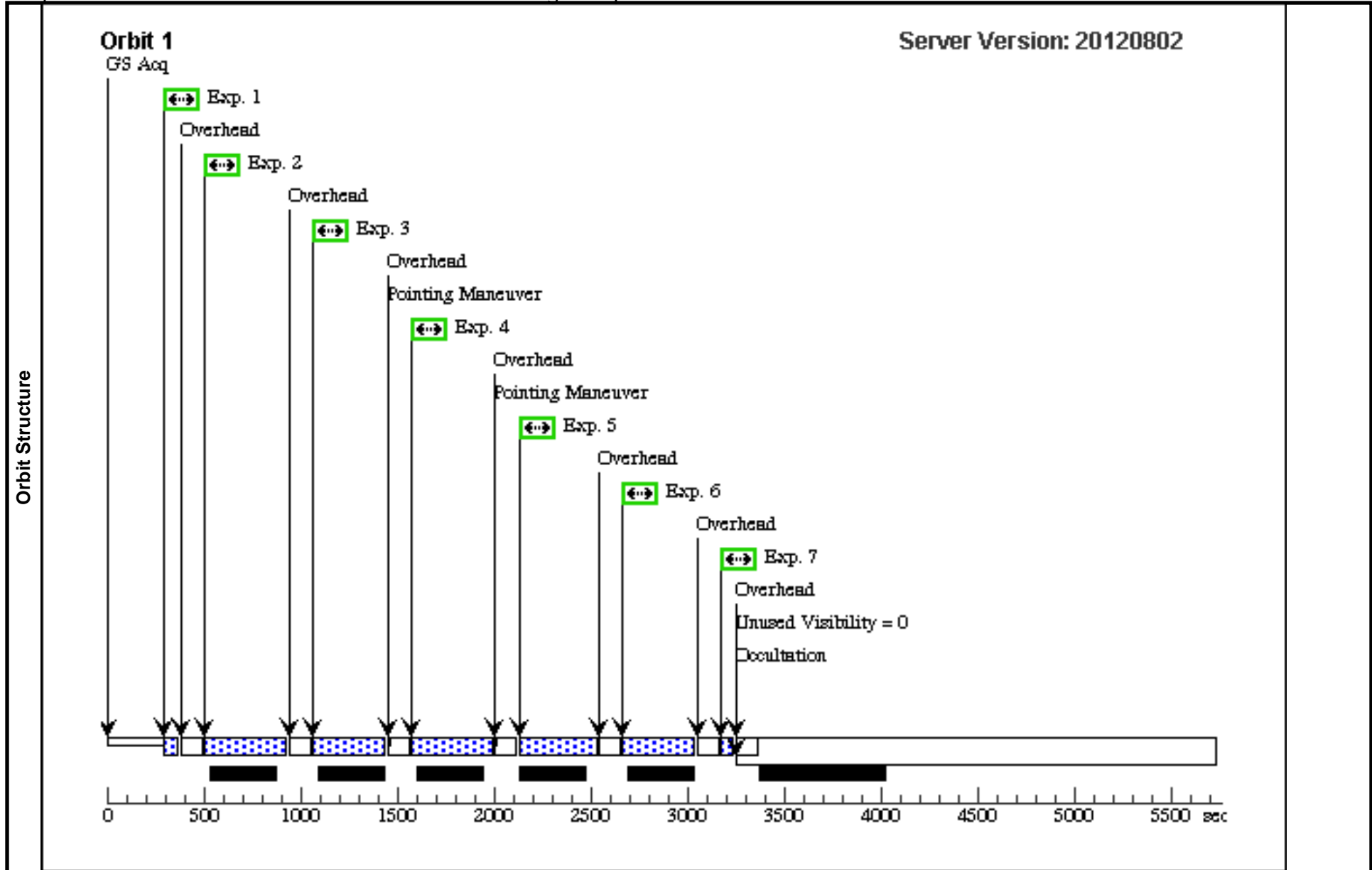
Visit	<b>Proposal 12605, Visit 05, scheduling</b> <b>Diagnostic Status: No Diagnostics</b> Scientific Instruments: WFC3/UVIS Special Requirements: (none) Comments: M288 --- part I									
	Fixed Targets	#	Name	Target Coordinates	Targ. Coord. Corrections	Fluxes	Miscellaneous			
	(3)	NGC-288	RA: 00 52 45.3000 (13.1887500d) Dec: -26 34 43.00 (-26.57861d) Equinox: J2000		V=9.37	Reference Frame: ICRS				
	Comments: This object was generated by the targetselector and retrieved from the SIMBAD database.									
Exposures	#	Label	Target	Config,Mode,Aperture	Spectral Els.	Opt. Params.	Special Reqs.	Groups	Exp. Time/[Actual Dur.]	Orbit
	1	(3) NGC-288	WFC3/UVIS, ACCUM, UVIS-CENTER	F438W	FLASH=12	POS TARG -10.006 6,-10.0066			41 Secs [==>]	[1]
	2	(3) NGC-288	WFC3/UVIS, ACCUM, UVIS-CENTER	F275W	FLASH=12	POS TARG -10.006 6,-10.0066			400 Secs [==>]	[1]
	3	(3) NGC-288	WFC3/UVIS, ACCUM, UVIS-CENTER	F336W	FLASH=12	POS TARG -10.006 6,-10.0066			350 Secs [==>]	[1]
	4	(3) NGC-288	WFC3/UVIS, ACCUM, UVIS-CENTER	F275W	FLASH=12	POS TARG -5.0132, -5.0132			400 Secs [==>]	[1]
	5	(3) NGC-288	WFC3/UVIS, ACCUM, UVIS-CENTER	F275W	FLASH=12	POS TARG 0.0199,0 .0199			401 Secs [==>]	[1]
	6	(3) NGC-288	WFC3/UVIS, ACCUM, UVIS-CENTER	F336W	FLASH=12	POS TARG 0.0199,0 .0199			350 Secs [==>]	[1]
	7	(3) NGC-288	WFC3/UVIS, ACCUM, UVIS-CENTER	F438W	FLASH=12	POS TARG 0.0199,0 .0199			41 Secs [==>]	[1]



Proposal 12605 - Visit 06 - Advances in Understanding Multiple Stellar Generations in Globular Clusters

Fri Sep 07 01:14:52 GMT 2012

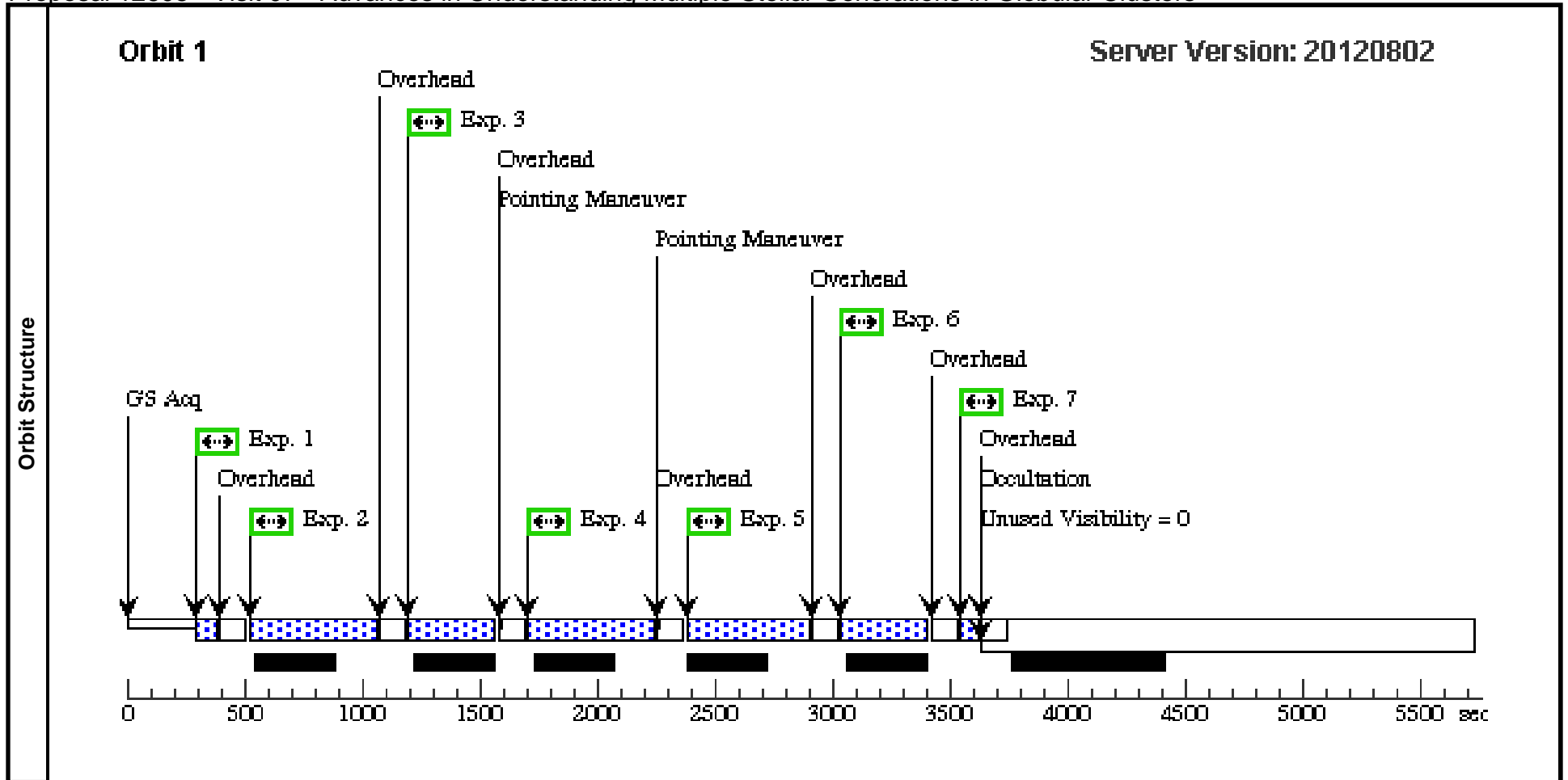
Visit	<b>Proposal 12605, Visit 06, scheduling</b> <b>Diagnostic Status: No Diagnostics</b> Scientific Instruments: WFC3/UVIS Special Requirements: SAME ORIENT AS 05 Comments: M288 --- part II									
	Fixed Targets	#	Name	Target Coordinates	Targ. Coord. Corrections	Fluxes	Miscellaneous			
	(3)	NGC-288	RA: 00 52 45.3000 (13.1887500d) Dec: -26 34 43.00 (-26.57861d) Equinox: J2000		V=9.37	Reference Frame: ICRS				
	Comments: This object was generated by the targetselector and retrieved from the SIMBAD database.									
Exposures	#	Label	Target	Config,Mode,Aperture	Spectral Els.	Opt. Params.	Special Reqs.	Groups	Exp. Time/[Actual Dur.]	Orbit
	1	(3) NGC-288		WFC3/UVIS, ACCUM, UVIS-CENTER	F438W	FLASH=12	POS TARG 5.0265,5 .0265		41 Secs [==>]	[1]
	2	(3) NGC-288		WFC3/UVIS, ACCUM, UVIS-CENTER	F275W	FLASH=12	POS TARG 5.0265,5 .0265		401 Secs [==>]	[1]
	3	(3) NGC-288		WFC3/UVIS, ACCUM, UVIS-CENTER	F336W	FLASH=12	POS TARG 5.0265,5 .0265		350 Secs [==>]	[1]
	4	(3) NGC-288		WFC3/UVIS, ACCUM, UVIS-CENTER	F275W	FLASH=12	POS TARG 10.0331, 10.0331		400 Secs [==>]	[1]
	5	(3) NGC-288		WFC3/UVIS, ACCUM, UVIS-CENTER	F275W	FLASH=12	POS TARG 15.0398, 15.0398		400 Secs [==>]	[1]
	6	(3) NGC-288		WFC3/UVIS, ACCUM, UVIS-CENTER	F336W	FLASH=12	POS TARG 15.0398, 15.0398		350 Secs [==>]	[1]
	7	(3) NGC-288		WFC3/UVIS, ACCUM, UVIS-CENTER	F438W	FLASH=12	POS TARG 15.0398, 15.0398		41 Secs [==>]	[1]



Proposal 12605 - Visit 07 - Advances in Understanding Multiple Stellar Generations in Globular Clusters

Fri Sep 07 01:14:53 GMT 2012

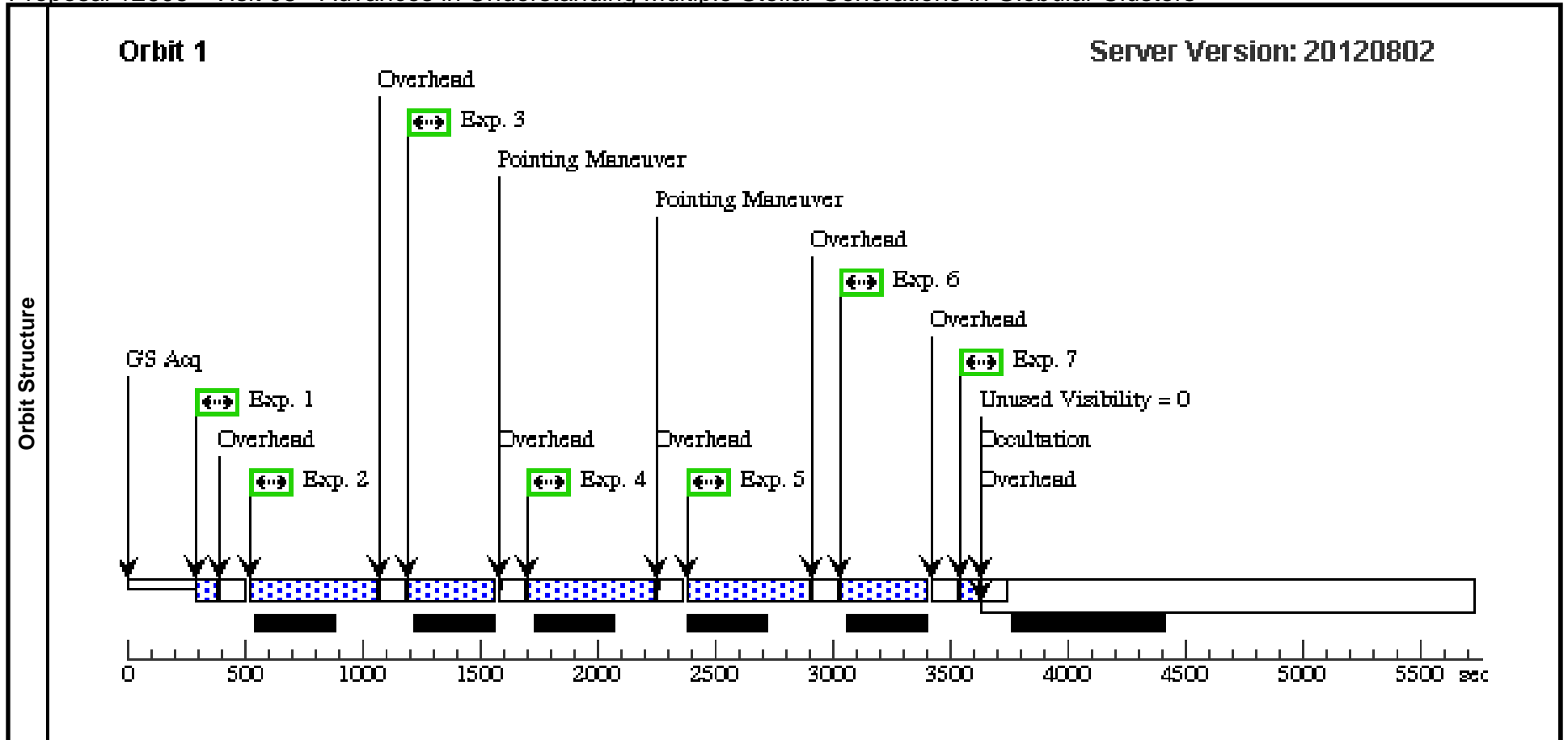
Visit	<b>Proposal 12605, Visit 07, scheduled</b> <b>Diagnostic Status: No Diagnostics</b> Scientific Instruments: WFC3/UVIS Special Requirements: (none) Comments: M362 --- part I									
	Fixed Targets	#	Name	Target Coordinates	Targ. Coord. Corrections	Fluxes	Miscellaneous			
	(4)	NGC-362	RA: 01 03 14.2700 (15.8094583d) Dec: -70 50 53.60 (-70.84822d) Equinox: J2000		V=7.21	Reference Frame: ICRS				
	Comments: This object was generated by the targetselector and retrieved from the SIMBAD database.									
Exposures	#	Label	Target	Config,Mode,Aperture	Spectral Els.	Opt. Params.	Special Reqs.	Groups	Exp. Time/[Actual Dur.]	Orbit
	1	(4) NGC-362	(4) NGC-362	WFC3/UVIS, ACCUM, UVIS-CENTER	F438W	FLASH=12	POS TARG -10.006 6,-10.0066		54 Secs [==>]	[1]
	2	(4) NGC-362	(4) NGC-362	WFC3/UVIS, ACCUM, UVIS-CENTER	F275W	FLASH=12	POS TARG -10.006 6,-10.0066		519 Secs [==>]	[1]
	3	(4) NGC-362	(4) NGC-362	WFC3/UVIS, ACCUM, UVIS-CENTER	F336W	FLASH=12	POS TARG -10.006 6,-10.0066		350 Secs [==>]	[1]
	4	(4) NGC-362	(4) NGC-362	WFC3/UVIS, ACCUM, UVIS-CENTER	F275W	FLASH=12	POS TARG -5.0132, -5.0132		519 Secs [==>]	[1]
	5	(4) NGC-362	(4) NGC-362	WFC3/UVIS, ACCUM, UVIS-CENTER	F275W	FLASH=12	POS TARG 0.0199,0 .0199		519 Secs [==>]	[1]
	6	(4) NGC-362	(4) NGC-362	WFC3/UVIS, ACCUM, UVIS-CENTER	F336W	FLASH=12	POS TARG 0.0199,0 .0199		350 Secs [==>]	[1]
	7	(4) NGC-362	(4) NGC-362	WFC3/UVIS, ACCUM, UVIS-CENTER	F438W	FLASH=12	POS TARG 0.0199,0 .0199		54 Secs [==>]	[1]



Proposal 12605 - Visit 08 - Advances in Understanding Multiple Stellar Generations in Globular Clusters

Fri Sep 07 01:14:54 GMT 2012

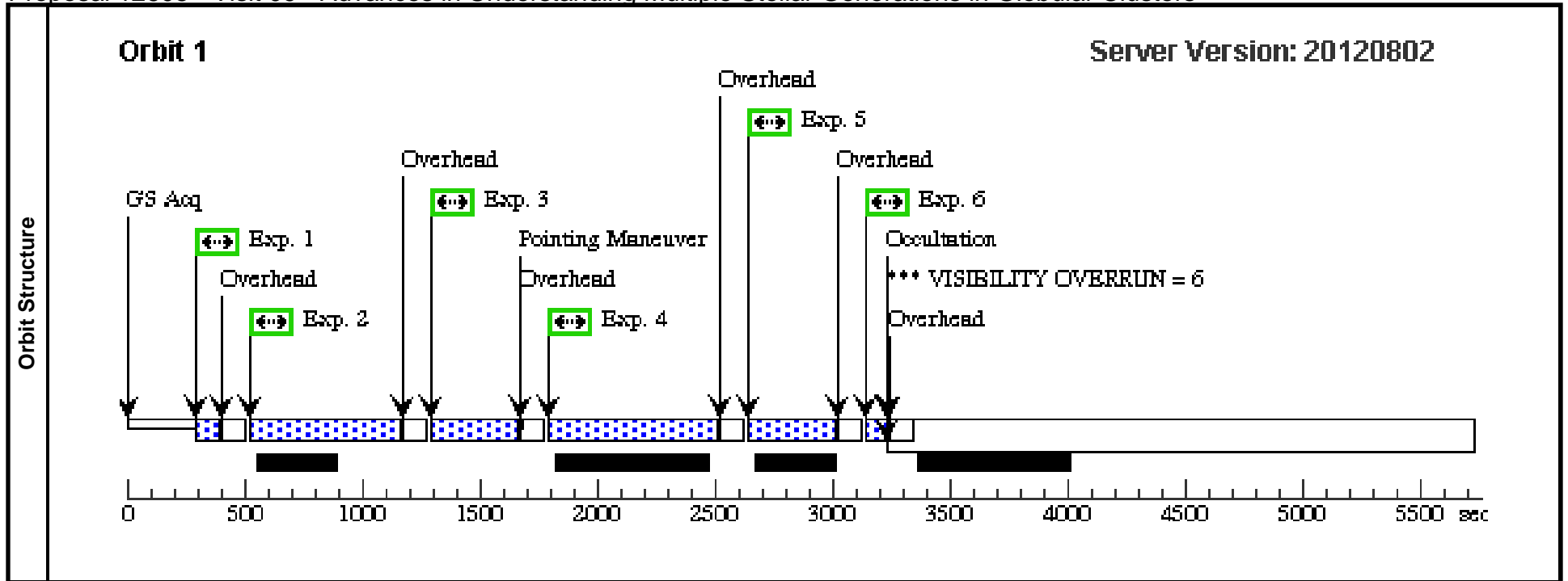
<b>Visit</b>	<b>Proposal 12605, Visit 08, scheduled</b> <b>Diagnostic Status: No Diagnostics</b> Scientific Instruments: WFC3/UVIS Special Requirements: SAME ORIENT AS 07 <i>Comments: M362 --- part II</i>									
<b>Fixed Targets</b>	<b>#</b>	<b>Name</b>	<b>Target Coordinates</b>	<b>Targ. Coord. Corrections</b>	<b>Fluxes</b>	<b>Miscellaneous</b>				
	(4)	NGC-362	RA: 01 03 14.2700 (15.8094583d) Dec: -70 50 53.60 (-70.84822d) Equinox: J2000		V=7.21	Reference Frame: ICRS				
<i>Comments: This object was generated by the targetselector and retrieved from the SIMBAD database.</i>										
<b>Exposures</b>	<b>#</b>	<b>Label</b>	<b>Target</b>	<b>Config,Mode,Aperture</b>	<b>Spectral Els.</b>	<b>Opt. Params.</b>	<b>Special Reqs.</b>	<b>Groups</b>	<b>Exp. Time/[Actual Dur.]</b>	<b>Orbit</b>
	1	(4) NGC-362	(4) NGC-362	WFC3/UVIS, ACCUM, UVIS-CENTER	F438W	FLASH=12	POS TARG 5.0265,5 .0265		54 Secs [==>]	[1]
	2	(4) NGC-362	(4) NGC-362	WFC3/UVIS, ACCUM, UVIS-CENTER	F275W	FLASH=12	POS TARG 5.0265,5 .0265		519 Secs [==>]	[1]
	3	(4) NGC-362	(4) NGC-362	WFC3/UVIS, ACCUM, UVIS-CENTER	F336W	FLASH=12	POS TARG 5.0265,5 .0265		350 Secs [==>]	[1]
	4	(4) NGC-362	(4) NGC-362	WFC3/UVIS, ACCUM, UVIS-CENTER	F275W	FLASH=12	POS TARG 10.0331, 10.0331		519 Secs [==>]	[1]
	5	(4) NGC-362	(4) NGC-362	WFC3/UVIS, ACCUM, UVIS-CENTER	F275W	FLASH=12	POS TARG 15.0398, 15.0398		519 Secs [==>]	[1]
	6	(4) NGC-362	(4) NGC-362	WFC3/UVIS, ACCUM, UVIS-CENTER	F336W	FLASH=12	POS TARG 15.0398, 15.0398		350 Secs [==>]	[1]
	7	(4) NGC-362	(4) NGC-362	WFC3/UVIS, ACCUM, UVIS-CENTER	F438W	FLASH=12	POS TARG 15.0398, 15.0398		54 Secs [==>]	[1]



Proposal 12605 - Visit 09 - Advances in Understanding Multiple Stellar Generations in Globular Clusters

Fri Sep 07 01:14:55 GMT 2012

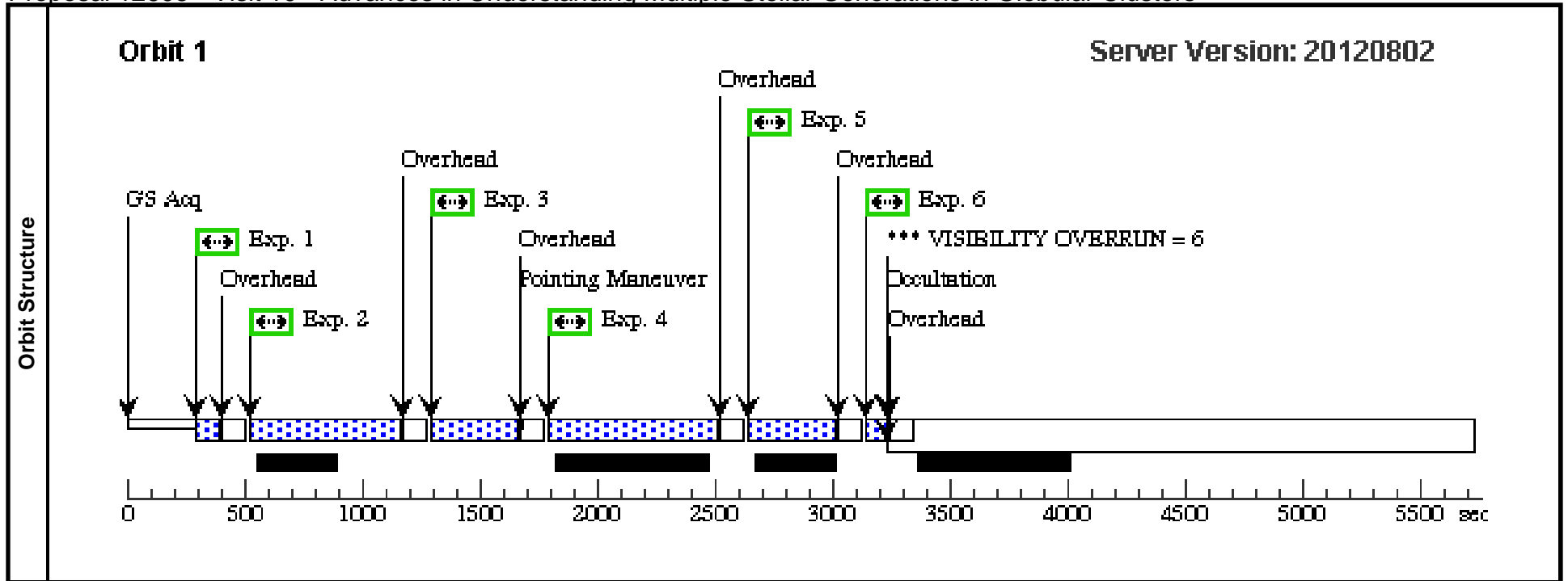
<b>Visit</b>	<b>Proposal 12605, Visit 09, completed</b> <b>Diagnostic Status: Warning</b> Scientific Instruments: WFC3/UVIS Special Requirements: (none) <i>Comments: M15 --- part I</i>																																																																											
	(Visit 09) Warning (Orbit Planner): VISIBILITY OVERRUN																																																																											
<b>Diagnosics</b>																																																																												
<b>Fixed Targets</b>	<table border="1"> <thead> <tr> <th>#</th> <th>Name</th> <th>Target Coordinates</th> <th>Targ. Coord. Corrections</th> <th>Fluxes</th> <th>Miscellaneous</th> </tr> </thead> <tbody> <tr> <td>(7)</td> <td>M-15</td> <td>RA: 21 29 58.3800 (322.4932500d) Dec: +12 10 0.60 (12.16683d) Equinox: J2000</td> <td></td> <td>V=7</td> <td>Reference Frame: ICRS</td> </tr> </tbody> </table>	#	Name	Target Coordinates	Targ. Coord. Corrections	Fluxes	Miscellaneous	(7)	M-15	RA: 21 29 58.3800 (322.4932500d) Dec: +12 10 0.60 (12.16683d) Equinox: J2000		V=7	Reference Frame: ICRS	<i>Comments: This object was generated by the targetselector and retrieved from the SIMBAD database.</i>																																																														
	#	Name	Target Coordinates	Targ. Coord. Corrections	Fluxes	Miscellaneous																																																																						
(7)	M-15	RA: 21 29 58.3800 (322.4932500d) Dec: +12 10 0.60 (12.16683d) Equinox: J2000		V=7	Reference Frame: ICRS																																																																							
<b>Exposures</b>	<table border="1"> <thead> <tr> <th>#</th> <th>Label</th> <th>Target</th> <th>Config,Mode,Aperture</th> <th>Spectral Els.</th> <th>Opt. Params.</th> <th>Special Reqs.</th> <th>Groups</th> <th>Exp. Time/[Actual Dur.]</th> <th>Orbit</th> </tr> </thead> <tbody> <tr> <td>1</td> <td></td> <td>(7) M-15</td> <td>WFC3/UVIS, ACCUM, UVIS-CENTER</td> <td>F438W</td> <td></td> <td>POS TARG -10.006 6,-10.0066</td> <td></td> <td>65 Secs [==&gt;]</td> <td>[1]</td> </tr> <tr> <td>2</td> <td></td> <td>(7) M-15</td> <td>WFC3/UVIS, ACCUM, UVIS-CENTER</td> <td>F275W</td> <td></td> <td>POS TARG -10.006 6,-10.0066</td> <td></td> <td>615 Secs [==&gt;]</td> <td>[1]</td> </tr> <tr> <td>3</td> <td></td> <td>(7) M-15</td> <td>WFC3/UVIS, ACCUM, UVIS-CENTER</td> <td>F336W</td> <td></td> <td>POS TARG -10.006 6,-10.0066</td> <td></td> <td>350 Secs [==&gt;]</td> <td>[1]</td> </tr> <tr> <td>4</td> <td></td> <td>(7) M-15</td> <td>WFC3/UVIS, ACCUM, UVIS-CENTER</td> <td>F275W</td> <td></td> <td>POS TARG -5.0132, -5.0132</td> <td></td> <td>700 Secs [==&gt;]</td> <td>[1]</td> </tr> <tr> <td>5</td> <td></td> <td>(7) M-15</td> <td>WFC3/UVIS, ACCUM, UVIS-CENTER</td> <td>F336W</td> <td></td> <td>POS TARG -5.0132, -5.0132</td> <td></td> <td>350 Secs [==&gt;]</td> <td>[1]</td> </tr> <tr> <td>6</td> <td></td> <td>(7) M-15</td> <td>WFC3/UVIS, ACCUM, UVIS-CENTER</td> <td>F438W</td> <td></td> <td>POS TARG -5.0132, -5.0132</td> <td></td> <td>65 Secs [==&gt;]</td> <td>[1]</td> </tr> </tbody> </table>	#	Label	Target	Config,Mode,Aperture	Spectral Els.	Opt. Params.	Special Reqs.	Groups	Exp. Time/[Actual Dur.]	Orbit	1		(7) M-15	WFC3/UVIS, ACCUM, UVIS-CENTER	F438W		POS TARG -10.006 6,-10.0066		65 Secs [==>]	[1]	2		(7) M-15	WFC3/UVIS, ACCUM, UVIS-CENTER	F275W		POS TARG -10.006 6,-10.0066		615 Secs [==>]	[1]	3		(7) M-15	WFC3/UVIS, ACCUM, UVIS-CENTER	F336W		POS TARG -10.006 6,-10.0066		350 Secs [==>]	[1]	4		(7) M-15	WFC3/UVIS, ACCUM, UVIS-CENTER	F275W		POS TARG -5.0132, -5.0132		700 Secs [==>]	[1]	5		(7) M-15	WFC3/UVIS, ACCUM, UVIS-CENTER	F336W		POS TARG -5.0132, -5.0132		350 Secs [==>]	[1]	6		(7) M-15	WFC3/UVIS, ACCUM, UVIS-CENTER	F438W		POS TARG -5.0132, -5.0132		65 Secs [==>]	[1]					
	#	Label	Target	Config,Mode,Aperture	Spectral Els.	Opt. Params.	Special Reqs.	Groups	Exp. Time/[Actual Dur.]	Orbit																																																																		
	1		(7) M-15	WFC3/UVIS, ACCUM, UVIS-CENTER	F438W		POS TARG -10.006 6,-10.0066		65 Secs [==>]	[1]																																																																		
	2		(7) M-15	WFC3/UVIS, ACCUM, UVIS-CENTER	F275W		POS TARG -10.006 6,-10.0066		615 Secs [==>]	[1]																																																																		
	3		(7) M-15	WFC3/UVIS, ACCUM, UVIS-CENTER	F336W		POS TARG -10.006 6,-10.0066		350 Secs [==>]	[1]																																																																		
	4		(7) M-15	WFC3/UVIS, ACCUM, UVIS-CENTER	F275W		POS TARG -5.0132, -5.0132		700 Secs [==>]	[1]																																																																		
	5		(7) M-15	WFC3/UVIS, ACCUM, UVIS-CENTER	F336W		POS TARG -5.0132, -5.0132		350 Secs [==>]	[1]																																																																		
	6		(7) M-15	WFC3/UVIS, ACCUM, UVIS-CENTER	F438W		POS TARG -5.0132, -5.0132		65 Secs [==>]	[1]																																																																		



Proposal 12605 - Visit 10 - Advances in Understanding Multiple Stellar Generations in Globular Clusters

Fri Sep 07 01:14:56 GMT 2012

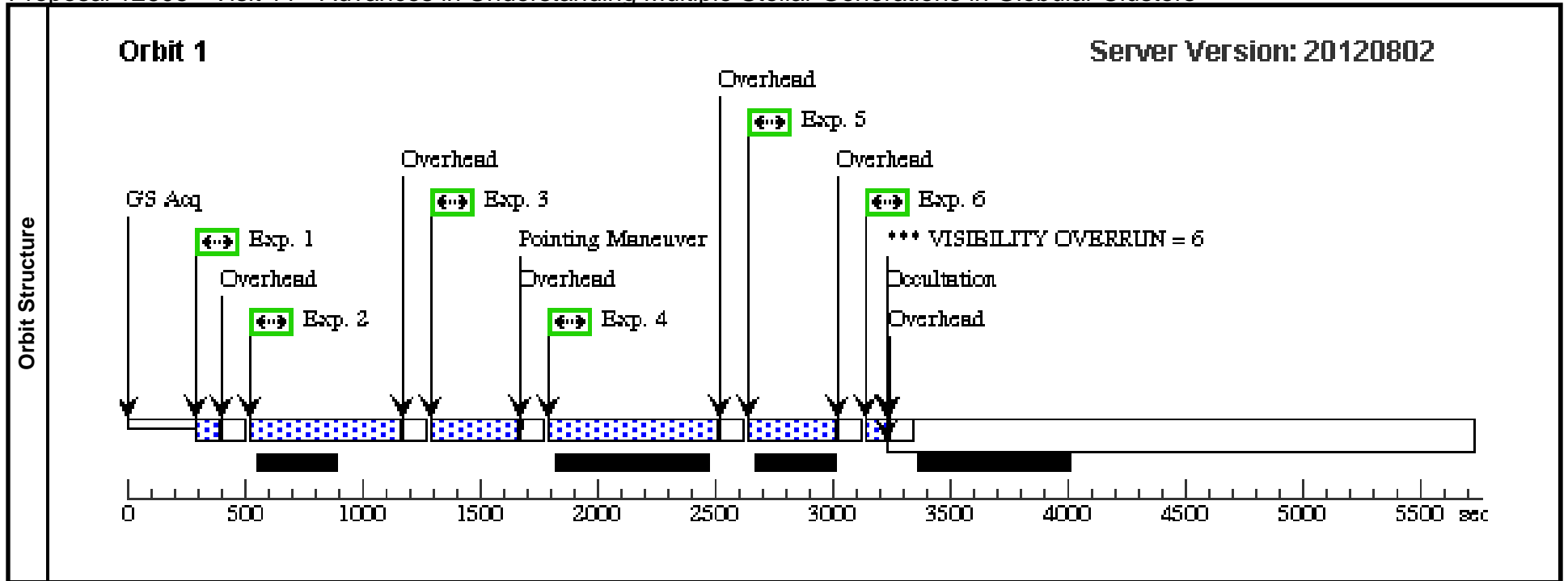
<b>Visit</b>	Proposal 12605, Visit 10, completed <b>Diagnostic Status: Warning</b> Scientific Instruments: WFC3/UVIS Special Requirements: SAME ORIENT AS 09 <i>Comments: M15 --- part II</i>									
	(Visit 10) Warning (Orbit Planner): VISIBILITY OVERRUN									
<b>Fixed Targets</b>	<b>#</b>	<b>Name</b>	<b>Target Coordinates</b>	<b>Targ. Coord. Corrections</b>	<b>Fluxes</b>	<b>Miscellaneous</b>				
	(7)	M-15	RA: 21 29 58.3800 (322.4932500d) Dec: +12 10 0.60 (12.16683d) Equinox: J2000 <i>Comments: This object was generated by the targetselector and retrieved from the SIMBAD database.</i>		V=7	Reference Frame: ICRS				
<b>Exposures</b>	<b>#</b>	<b>Label</b>	<b>Target</b>	<b>Config,Mode,Aperture</b>	<b>Spectral Els.</b>	<b>Opt. Params.</b>	<b>Special Reqs.</b>	<b>Groups</b>	<b>Exp. Time/[Actual Dur.]</b>	<b>Orbit</b>
	1	(7) M-15	(7) M-15	WFC3/UVIS, ACCUM, UVIS-CENTER	F438W		POS TARG 0.0199,0 .0199		65 Secs [==>]	[1]
	2	(7) M-15	(7) M-15	WFC3/UVIS, ACCUM, UVIS-CENTER	F275W		POS TARG 0.0199,0 .0199		615 Secs [==>]	[1]
	3	(7) M-15	(7) M-15	WFC3/UVIS, ACCUM, UVIS-CENTER	F336W		POS TARG 0.0199,0 .0199		350 Secs [==>]	[1]
	4	(7) M-15	(7) M-15	WFC3/UVIS, ACCUM, UVIS-CENTER	F275W		POS TARG 5.0265,5 .0265		700 Secs [==>]	[1]
	5	(7) M-15	(7) M-15	WFC3/UVIS, ACCUM, UVIS-CENTER	F336W		POS TARG 5.0265,5 .0265		350 Secs [==>]	[1]
	6	(7) M-15	(7) M-15	WFC3/UVIS, ACCUM, UVIS-CENTER	F438W		POS TARG 5.0265,5 .0265		65 Secs [==>]	[1]



Proposal 12605 - Visit 11 - Advances in Understanding Multiple Stellar Generations in Globular Clusters

Fri Sep 07 01:14:57 GMT 2012

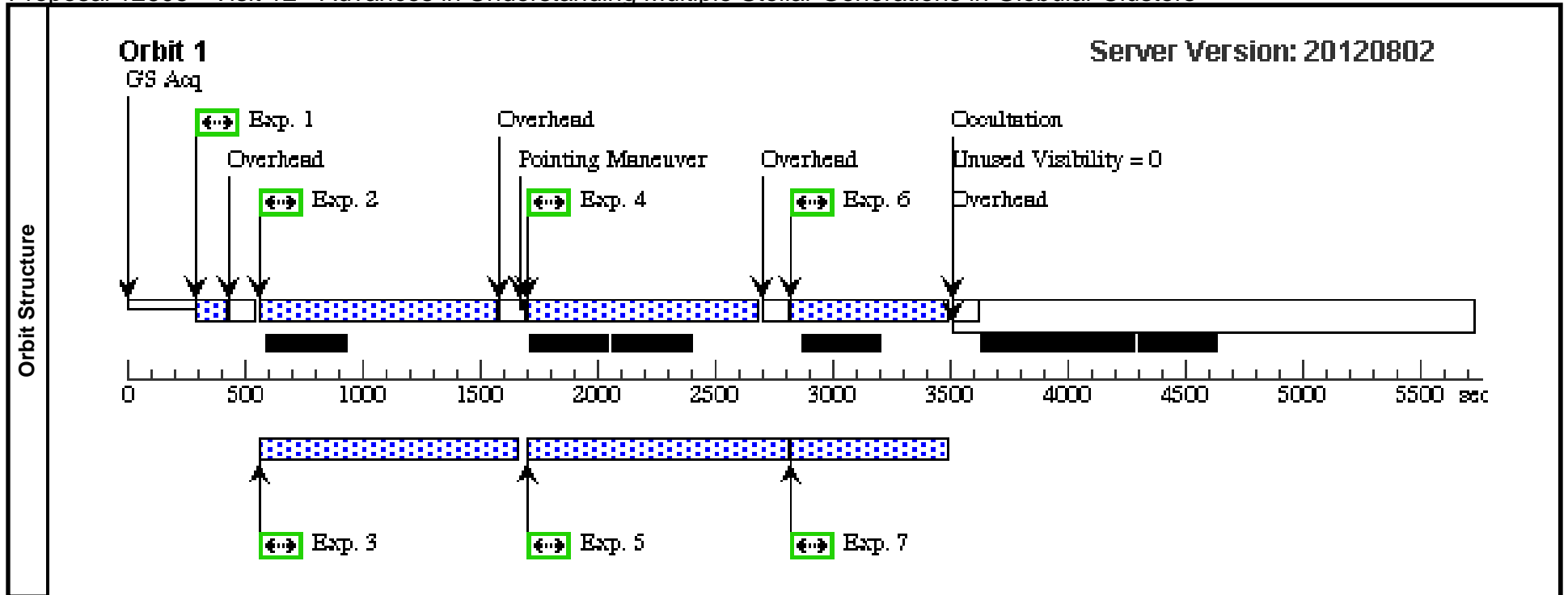
<b>Visit</b>	<b>Proposal 12605, Visit 11, completed</b> <b>Diagnostic Status: Warning</b> Scientific Instruments: WFC3/UVIS Special Requirements: SAME ORIENT AS 09 <i>Comments: M15 --- part III</i>									
	(Visit 11) Warning (Orbit Planner): VISIBILITY OVERRUN									
<b>Fixed Targets</b>	<b>#</b>	<b>Name</b>	<b>Target Coordinates</b>	<b>Targ. Coord. Corrections</b>	<b>Fluxes</b>	<b>Miscellaneous</b>				
	(7)	M-15	RA: 21 29 58.3800 (322.4932500d) Dec: +12 10 0.60 (12.16683d) Equinox: J2000		V=7	Reference Frame: ICRS				
<i>Comments: This object was generated by the targetselector and retrieved from the SIMBAD database.</i>										
<b>Exposures</b>	<b>#</b>	<b>Label</b>	<b>Target</b>	<b>Config,Mode,Aperture</b>	<b>Spectral Els.</b>	<b>Opt. Params.</b>	<b>Special Reqs.</b>	<b>Groups</b>	<b>Exp. Time/[Actual Dur.]</b>	<b>Orbit</b>
	1		(7) M-15	WFC3/UVIS, ACCUM, UVIS-CENTER	F438W		POS TARG 10.0331, 10.0331		65 Secs [==>]	[1]
	2		(7) M-15	WFC3/UVIS, ACCUM, UVIS-CENTER	F275W		POS TARG 10.0331, 10.0331		615 Secs [==>]	[1]
	3		(7) M-15	WFC3/UVIS, ACCUM, UVIS-CENTER	F336W		POS TARG 10.0331, 10.0331		350 Secs [==>]	[1]
	4		(7) M-15	WFC3/UVIS, ACCUM, UVIS-CENTER	F275W		POS TARG 15.0398, 15.0398		700 Secs [==>]	[1]
	5		(7) M-15	WFC3/UVIS, ACCUM, UVIS-CENTER	F336W		POS TARG 15.0398, 15.0398		350 Secs [==>]	[1]
	6		(7) M-15	WFC3/UVIS, ACCUM, UVIS-CENTER	F438W		POS TARG 15.0398, 15.0398		65 Secs [==>]	[1]



Proposal 12605 - Visit 12 - Advances in Understanding Multiple Stellar Generations in Globular Clusters

Fri Sep 07 01:14:58 GMT 2012

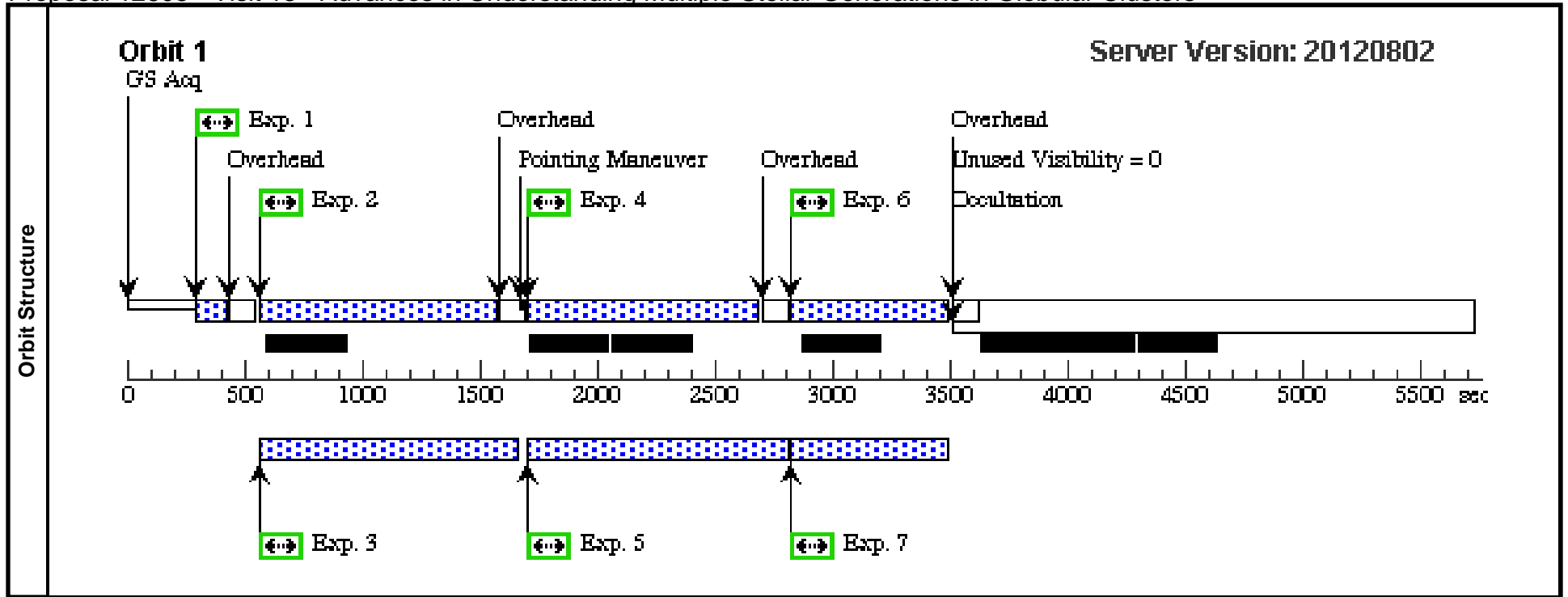
<b>Visit</b>	<b>Proposal 12605, Visit 12, scheduling</b> <b>Diagnostic Status: Warning</b> Scientific Instruments: WFC3/UVIS, ACS/WFC Special Requirements: ORIENT 214D TO 222 D <i>Comments: NGC2808 --- part I</i>									
	(Primary Exposure 2 (Prime + Parallel Group 2-3 in Visit 12)) Warning (Form): Light from the flash may escape from WFC3 and possibly contaminate exposures in other SIs. (Primary Exposure 4 (Prime + Parallel Group 4-5 in Visit 12)) Warning (Form): Light from the flash may escape from WFC3 and possibly contaminate exposures in other SIs. (Primary Exposure 6 (Prime + Parallel Group 6-7 in Visit 12)) Warning (Form): Light from the flash may escape from WFC3 and possibly contaminate exposures in other SIs.									
<b>Diagnosics</b>										
<b>Fixed Targets</b>	<b>#</b>	<b>Name</b>	<b>Target Coordinates</b>	<b>Targ. Coord. Corrections</b>	<b>Fluxes</b>	<b>Miscellaneous</b>				
	(5)	NGC-2808	RA: 09 12 2.5700 (138.0107083d) Dec: -64 51 33.20 (-64.85922d) Equinox: J2000		V=6.89	Reference Frame: ICRS				
<i>Comments: This object was generated by the targetselector and retrieved from the SIMBAD database.</i>										
<b>Exposures</b>	<b>#</b>	<b>Label</b>	<b>Target</b>	<b>Config,Mode,Aperture</b>	<b>Spectral Els.</b>	<b>Opt. Params.</b>	<b>Special Reqs.</b>	<b>Groups</b>	<b>Exp. Time/[Actual Dur.]</b>	<b>Orbit</b>
	1	(5) NGC-2808		WFC3/UVIS, ACCUM, UVIS-CENTER	F438W	FLASH=12	POS TARG -10.006 6,-10.0066		97 Secs [==>]	[1]
	2	(5) NGC-2808		WFC3/UVIS, ACCUM, UVIS-CENTER	F275W	FLASH=12	POS TARG -10.006 6,-10.0066	Prime + Parallel Group 2-3 in Visit 12	985 Secs [==>]	[1]
	3	(5) NGC-2808		ACS/WFC, ACCUM, WFCENTER	F475W			Prime + Parallel Group 2-3 in Visit 12	890 Secs [==>]	[1]
	4	(5) NGC-2808		WFC3/UVIS, ACCUM, UVIS-CENTER	F275W	FLASH=12	POS TARG -12.506 6,-12.5066	Prime + Parallel Group 4-5 in Visit 12	985 Secs [==>]	[1]
	5	(5) NGC-2808		ACS/WFC, ACCUM, WFCENTER	F475W			Prime + Parallel Group 4-5 in Visit 12	982 Secs [==>]	[1]
	6	(5) NGC-2808		WFC3/UVIS, ACCUM, UVIS-CENTER	F336W	FLASH=12	POS TARG -12.506 6,-12.5066	Prime + Parallel Group 6-7 in Visit 12	650 Secs [==>]	[1]
	7	(5) NGC-2808		ACS/WFC, ACCUM, WFCENTER	F814W			Prime + Parallel Group 6-7 in Visit 12	508 Secs [==>]	[1]



# Proposal 12605 - Visit 13 - Advances in Understanding Multiple Stellar Generations in Globular Clusters

Fri Sep 07 01:14:59 GMT 2012

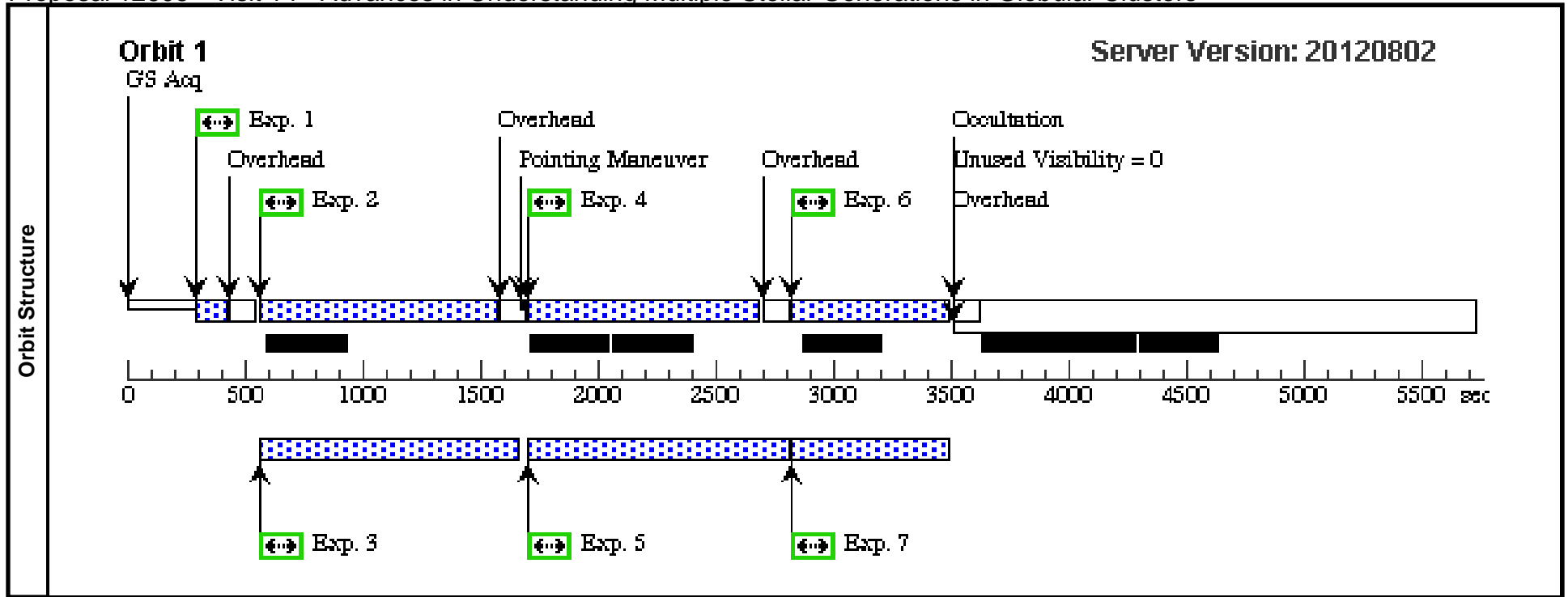
Visit	<b>Proposal 12605, Visit 13, scheduling</b> <b>Diagnostic Status: Warning</b> Scientific Instruments: WFC3/UVIS, ACS/WFC Special Requirements: SAME ORIENT AS 12 <i>Comments: NGC2808 --- part II</i>																																																																																									
Diagnostics	(Primary Exposure 2 (Prime + Parallel Group 2-3 in Visit 13)) Warning (Form): Light from the flash may escape from WFC3 and possibly contaminate exposures in other SIs. (Primary Exposure 4 (Prime + Parallel Group 4-5 in Visit 13)) Warning (Form): Light from the flash may escape from WFC3 and possibly contaminate exposures in other SIs. (Primary Exposure 6 (Prime + Parallel Group 6-7 in Visit 13)) Warning (Form): Light from the flash may escape from WFC3 and possibly contaminate exposures in other SIs.																																																																																									
Fixed Targets	<table border="1"> <thead> <tr> <th>#</th> <th>Name</th> <th>Target Coordinates</th> <th>Targ. Coord. Corrections</th> <th>Fluxes</th> <th>Miscellaneous</th> </tr> </thead> <tbody> <tr> <td>(5)</td> <td>NGC-2808</td> <td>RA: 09 12 2.5700 (138.0107083d) Dec: -64 51 33.20 (-64.85922d) Equinox: J2000</td> <td></td> <td>V=6.89</td> <td>Reference Frame: ICRS</td> </tr> </tbody> </table> <i>Comments: This object was generated by the targetselector and retrieved from the SIMBAD database.</i>										#	Name	Target Coordinates	Targ. Coord. Corrections	Fluxes	Miscellaneous	(5)	NGC-2808	RA: 09 12 2.5700 (138.0107083d) Dec: -64 51 33.20 (-64.85922d) Equinox: J2000		V=6.89	Reference Frame: ICRS																																																																				
#	Name	Target Coordinates	Targ. Coord. Corrections	Fluxes	Miscellaneous																																																																																					
(5)	NGC-2808	RA: 09 12 2.5700 (138.0107083d) Dec: -64 51 33.20 (-64.85922d) Equinox: J2000		V=6.89	Reference Frame: ICRS																																																																																					
Exposures	<table border="1"> <thead> <tr> <th>#</th> <th>Label</th> <th>Target</th> <th>Config,Mode,Aperture</th> <th>Spectral Els.</th> <th>Opt. Params.</th> <th>Special Reqs.</th> <th>Groups</th> <th>Exp. Time/[Actual Dur.]</th> <th>Orbit</th> </tr> </thead> <tbody> <tr> <td>1</td> <td></td> <td>(5) NGC-2808</td> <td>WFC3/UVIS, ACCUM, UVIS-CENTER</td> <td>F438W</td> <td>FLASH=12</td> <td>POS TARG -5.0132, -5.0132</td> <td></td> <td>97 Secs [==&gt;]</td> <td>[1]</td> </tr> <tr> <td>2</td> <td></td> <td>(5) NGC-2808</td> <td>WFC3/UVIS, ACCUM, UVIS-CENTER</td> <td>F275W</td> <td>FLASH=12</td> <td>POS TARG -5.0132, -5.0132</td> <td>Prime + Parallel Group 2-3 in Visit 13</td> <td>985 Secs [==&gt;]</td> <td>[1]</td> </tr> <tr> <td>3</td> <td></td> <td>(5) NGC-2808</td> <td>ACS/WFC, ACCUM, WFCENTER</td> <td>F475W</td> <td></td> <td></td> <td>Prime + Parallel Group 2-3 in Visit 13</td> <td>890 Secs [==&gt;]</td> <td>[1]</td> </tr> <tr> <td>4</td> <td></td> <td>(5) NGC-2808</td> <td>WFC3/UVIS, ACCUM, UVIS-CENTER</td> <td>F275W</td> <td>FLASH=12</td> <td>POS TARG -7.5132, -7.5132</td> <td>Prime + Parallel Group 4-5 in Visit 13</td> <td>985 Secs [==&gt;]</td> <td>[1]</td> </tr> <tr> <td>5</td> <td></td> <td>(5) NGC-2808</td> <td>ACS/WFC, ACCUM, WFCENTER</td> <td>F475W</td> <td></td> <td></td> <td>Prime + Parallel Group 4-5 in Visit 13</td> <td>982 Secs [==&gt;]</td> <td>[1]</td> </tr> <tr> <td>6</td> <td></td> <td>(5) NGC-2808</td> <td>WFC3/UVIS, ACCUM, UVIS-CENTER</td> <td>F336W</td> <td>FLASH=12</td> <td>POS TARG -7.5132, -7.5132</td> <td>Prime + Parallel Group 6-7 in Visit 13</td> <td>650 Secs [==&gt;]</td> <td>[1]</td> </tr> <tr> <td>7</td> <td></td> <td>(5) NGC-2808</td> <td>ACS/WFC, ACCUM, WFCENTER</td> <td>F814W</td> <td></td> <td></td> <td>Prime + Parallel Group 6-7 in Visit 13</td> <td>508 Secs [==&gt;]</td> <td>[1]</td> </tr> </tbody> </table>										#	Label	Target	Config,Mode,Aperture	Spectral Els.	Opt. Params.	Special Reqs.	Groups	Exp. Time/[Actual Dur.]	Orbit	1		(5) NGC-2808	WFC3/UVIS, ACCUM, UVIS-CENTER	F438W	FLASH=12	POS TARG -5.0132, -5.0132		97 Secs [==>]	[1]	2		(5) NGC-2808	WFC3/UVIS, ACCUM, UVIS-CENTER	F275W	FLASH=12	POS TARG -5.0132, -5.0132	Prime + Parallel Group 2-3 in Visit 13	985 Secs [==>]	[1]	3		(5) NGC-2808	ACS/WFC, ACCUM, WFCENTER	F475W			Prime + Parallel Group 2-3 in Visit 13	890 Secs [==>]	[1]	4		(5) NGC-2808	WFC3/UVIS, ACCUM, UVIS-CENTER	F275W	FLASH=12	POS TARG -7.5132, -7.5132	Prime + Parallel Group 4-5 in Visit 13	985 Secs [==>]	[1]	5		(5) NGC-2808	ACS/WFC, ACCUM, WFCENTER	F475W			Prime + Parallel Group 4-5 in Visit 13	982 Secs [==>]	[1]	6		(5) NGC-2808	WFC3/UVIS, ACCUM, UVIS-CENTER	F336W	FLASH=12	POS TARG -7.5132, -7.5132	Prime + Parallel Group 6-7 in Visit 13	650 Secs [==>]	[1]	7		(5) NGC-2808	ACS/WFC, ACCUM, WFCENTER	F814W			Prime + Parallel Group 6-7 in Visit 13	508 Secs [==>]	[1]
#	Label	Target	Config,Mode,Aperture	Spectral Els.	Opt. Params.	Special Reqs.	Groups	Exp. Time/[Actual Dur.]	Orbit																																																																																	
1		(5) NGC-2808	WFC3/UVIS, ACCUM, UVIS-CENTER	F438W	FLASH=12	POS TARG -5.0132, -5.0132		97 Secs [==>]	[1]																																																																																	
2		(5) NGC-2808	WFC3/UVIS, ACCUM, UVIS-CENTER	F275W	FLASH=12	POS TARG -5.0132, -5.0132	Prime + Parallel Group 2-3 in Visit 13	985 Secs [==>]	[1]																																																																																	
3		(5) NGC-2808	ACS/WFC, ACCUM, WFCENTER	F475W			Prime + Parallel Group 2-3 in Visit 13	890 Secs [==>]	[1]																																																																																	
4		(5) NGC-2808	WFC3/UVIS, ACCUM, UVIS-CENTER	F275W	FLASH=12	POS TARG -7.5132, -7.5132	Prime + Parallel Group 4-5 in Visit 13	985 Secs [==>]	[1]																																																																																	
5		(5) NGC-2808	ACS/WFC, ACCUM, WFCENTER	F475W			Prime + Parallel Group 4-5 in Visit 13	982 Secs [==>]	[1]																																																																																	
6		(5) NGC-2808	WFC3/UVIS, ACCUM, UVIS-CENTER	F336W	FLASH=12	POS TARG -7.5132, -7.5132	Prime + Parallel Group 6-7 in Visit 13	650 Secs [==>]	[1]																																																																																	
7		(5) NGC-2808	ACS/WFC, ACCUM, WFCENTER	F814W			Prime + Parallel Group 6-7 in Visit 13	508 Secs [==>]	[1]																																																																																	



Proposal 12605 - Visit 14 - Advances in Understanding Multiple Stellar Generations in Globular Clusters

Fri Sep 07 01:15:00 GMT 2012

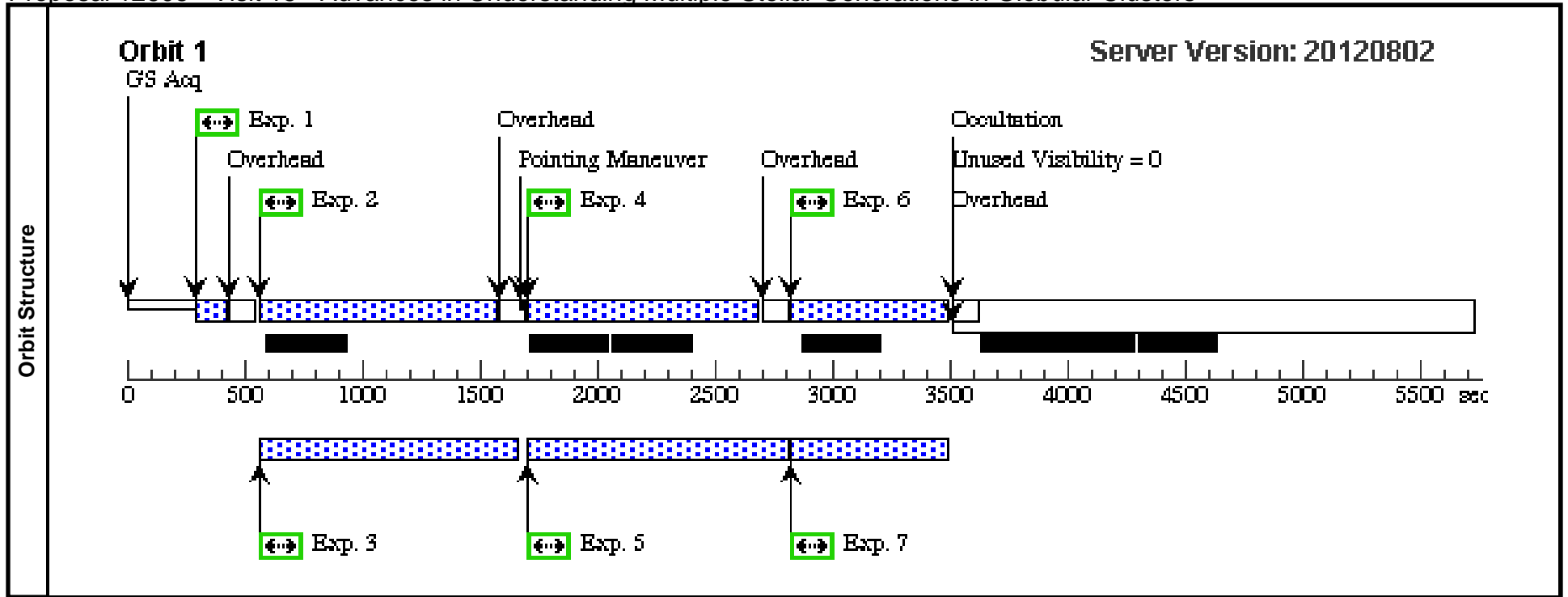
<b>Visit</b>	<b>Proposal 12605, Visit 14, scheduling</b> <b>Diagnostic Status: Warning</b> Scientific Instruments: WFC3/UVIS, ACS/WFC Special Requirements: SAME ORIENT AS 12 <i>Comments: NGC2808 --- part III</i>									
	(Primary Exposure 2 (Prime + Parallel Group 2-3 in Visit 14)) Warning (Form): Light from the flash may escape from WFC3 and possibly contaminate exposures in other SIs. (Primary Exposure 4 (Prime + Parallel Group 4-5 in Visit 14)) Warning (Form): Light from the flash may escape from WFC3 and possibly contaminate exposures in other SIs. (Primary Exposure 6 (Prime + Parallel Group 6-7 in Visit 14)) Warning (Form): Light from the flash may escape from WFC3 and possibly contaminate exposures in other SIs.									
<b>Diagnosics</b>										
<b>Fixed Targets</b>	<b>#</b>	<b>Name</b>	<b>Target Coordinates</b>	<b>Targ. Coord. Corrections</b>	<b>Fluxes</b>	<b>Miscellaneous</b>				
	(5)	NGC-2808	RA: 09 12 2.5700 (138.0107083d) Dec: -64 51 33.20 (-64.85922d) Equinox: J2000		V=6.89	Reference Frame: ICRS				
<i>Comments: This object was generated by the targetselector and retrieved from the SIMBAD database.</i>										
<b>Exposures</b>	<b>#</b>	<b>Label</b>	<b>Target</b>	<b>Config,Mode,Aperture</b>	<b>Spectral Els.</b>	<b>Opt. Params.</b>	<b>Special Reqs.</b>	<b>Groups</b>	<b>Exp. Time/[Actual Dur.]</b>	<b>Orbit</b>
	1		(5) NGC-2808	WFC3/UVIS, ACCUM, UVIS-CENTER	F438W	FLASH=12	POS TARG 0.0199,0 .0199		97 Secs [==>]	[1]
	2		(5) NGC-2808	WFC3/UVIS, ACCUM, UVIS-CENTER	F275W	FLASH=12	POS TARG 0.0199,0 .0199	Prime + Parallel Group 2-3 in Visit 14	985 Secs [==>]	[1]
	3		(5) NGC-2808	ACS/WFC, ACCUM, WFCENTER	F475W			Prime + Parallel Group 2-3 in Visit 14	890 Secs [==>]	[1]
	4		(5) NGC-2808	WFC3/UVIS, ACCUM, UVIS-CENTER	F275W	FLASH=12	POS TARG -2.4801, -2.4801	Prime + Parallel Group 4-5 in Visit 14	985 Secs [==>]	[1]
	5		(5) NGC-2808	ACS/WFC, ACCUM, WFCENTER	F475W			Prime + Parallel Group 4-5 in Visit 14	982 Secs [==>]	[1]
	6		(5) NGC-2808	WFC3/UVIS, ACCUM, UVIS-CENTER	F336W	FLASH=12	POS TARG -2.4801, -2.4801	Prime + Parallel Group 6-7 in Visit 14	650 Secs [==>]	[1]
	7		(5) NGC-2808	ACS/WFC, ACCUM, WFCENTER	F814W			Prime + Parallel Group 6-7 in Visit 14	508 Secs [==>]	[1]



Proposal 12605 - Visit 15 - Advances in Understanding Multiple Stellar Generations in Globular Clusters

Fri Sep 07 01:15:00 GMT 2012

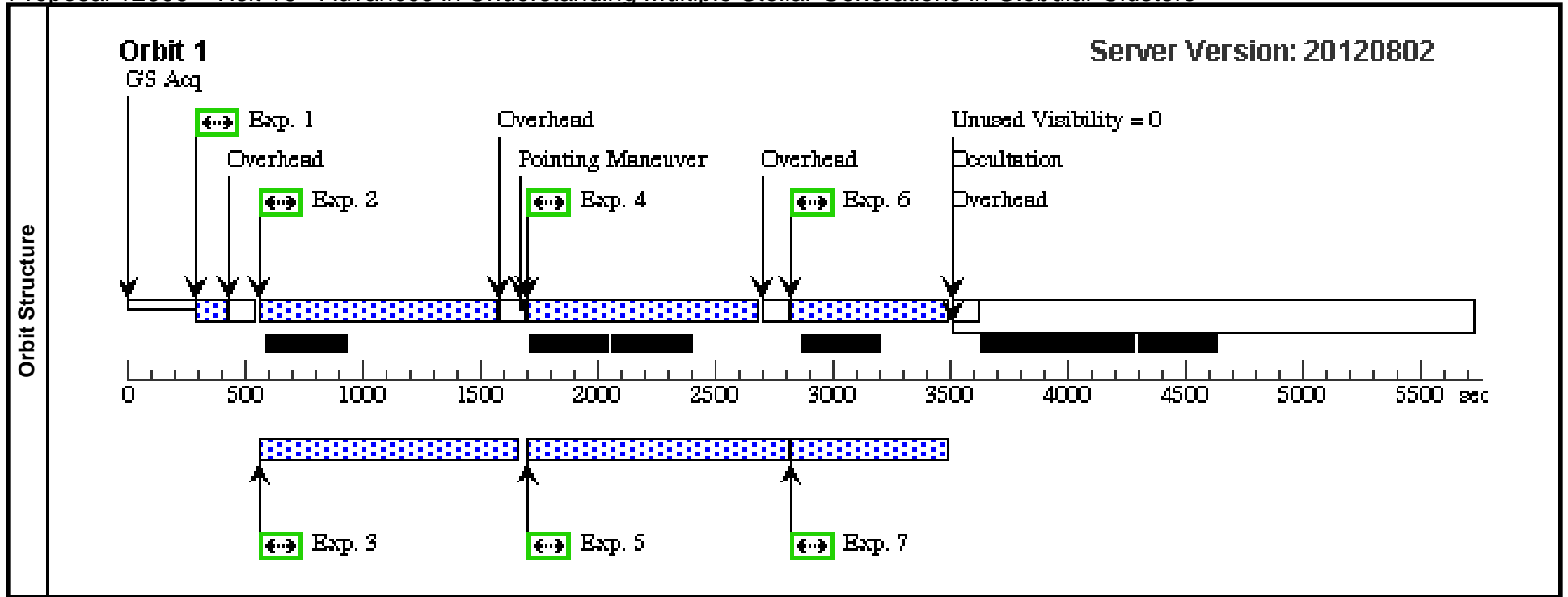
<b>Visit</b>	<b>Proposal 12605, Visit 15, scheduling</b> <b>Diagnostic Status: Warning</b> Scientific Instruments: WFC3/UVIS, ACS/WFC Special Requirements: SAME ORIENT AS 12 <i>Comments: NGC2808 --- part IV</i>									
	(Primary Exposure 2 (Prime + Parallel Group 2-3 in Visit 15)) Warning (Form): Light from the flash may escape from WFC3 and possibly contaminate exposures in other SIs. (Primary Exposure 4 (Prime + Parallel Group 4-5 in Visit 15)) Warning (Form): Light from the flash may escape from WFC3 and possibly contaminate exposures in other SIs. (Primary Exposure 6 (Prime + Parallel Group 6-7 in Visit 15)) Warning (Form): Light from the flash may escape from WFC3 and possibly contaminate exposures in other SIs.									
<b>Diagnosics</b>										
<b>Fixed Targets</b>	<b>#</b>	<b>Name</b>	<b>Target Coordinates</b>	<b>Targ. Coord. Corrections</b>	<b>Fluxes</b>	<b>Miscellaneous</b>				
	(5)	NGC-2808	RA: 09 12 2.5700 (138.0107083d) Dec: -64 51 33.20 (-64.85922d) Equinox: J2000		V=6.89	Reference Frame: ICRS				
<i>Comments: This object was generated by the targetselector and retrieved from the SIMBAD database.</i>										
<b>Exposures</b>	<b>#</b>	<b>Label</b>	<b>Target</b>	<b>Config,Mode,Aperture</b>	<b>Spectral Els.</b>	<b>Opt. Params.</b>	<b>Special Reqs.</b>	<b>Groups</b>	<b>Exp. Time/[Actual Dur.]</b>	<b>Orbit</b>
	1	(5) NGC-2808		WFC3/UVIS, ACCUM, UVIS-CENTER	F438W	FLASH=12	POS TARG 5.0265,5 .0265		97 Secs [==>]	[1]
	2	(5) NGC-2808		WFC3/UVIS, ACCUM, UVIS-CENTER	F275W	FLASH=12	POS TARG 5.0265,5 .0265	Prime + Parallel Group 2-3 in Visit 15	985 Secs [==>]	[1]
	3	(5) NGC-2808		ACS/WFC, ACCUM, WFCENTER	F475W			Prime + Parallel Group 2-3 in Visit 15	890 Secs [==>]	[1]
	4	(5) NGC-2808		WFC3/UVIS, ACCUM, UVIS-CENTER	F275W	FLASH=12	POS TARG 2.5265,2 .5265	Prime + Parallel Group 4-5 in Visit 15	985 Secs [==>]	[1]
	5	(5) NGC-2808		ACS/WFC, ACCUM, WFCENTER	F475W			Prime + Parallel Group 4-5 in Visit 15	982 Secs [==>]	[1]
	6	(5) NGC-2808		WFC3/UVIS, ACCUM, UVIS-CENTER	F336W	FLASH=12	POS TARG 2.5265,2 .5265	Prime + Parallel Group 6-7 in Visit 15	650 Secs [==>]	[1]
	7	(5) NGC-2808		ACS/WFC, ACCUM, WFCENTER	F814W			Prime + Parallel Group 6-7 in Visit 15	508 Secs [==>]	[1]



Proposal 12605 - Visit 16 - Advances in Understanding Multiple Stellar Generations in Globular Clusters

Fri Sep 07 01:15:01 GMT 2012

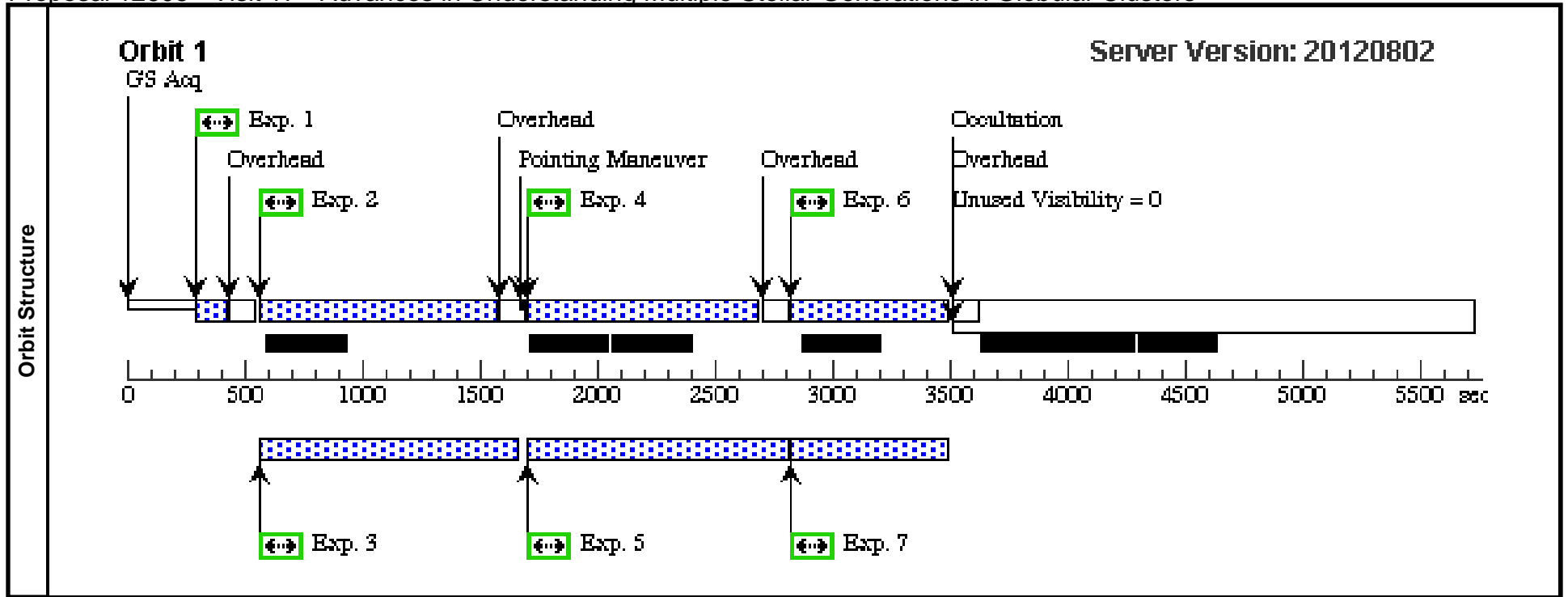
<b>Visit</b>	<b>Proposal 12605, Visit 16, scheduling</b> <b>Diagnostic Status: Warning</b> Scientific Instruments: WFC3/UVIS, ACS/WFC Special Requirements: SAME ORIENT AS 12 <i>Comments: NGC2808 --- part V</i>									
	(Primary Exposure 2 (Prime + Parallel Group 2-3 in Visit 16)) Warning (Form): Light from the flash may escape from WFC3 and possibly contaminate exposures in other SIs. (Primary Exposure 4 (Prime + Parallel Group 4-5 in Visit 16)) Warning (Form): Light from the flash may escape from WFC3 and possibly contaminate exposures in other SIs. (Primary Exposure 6 (Prime + Parallel Group 6-7 in Visit 16)) Warning (Form): Light from the flash may escape from WFC3 and possibly contaminate exposures in other SIs.									
<b>Diagnosics</b>										
<b>Fixed Targets</b>	<b>#</b>	<b>Name</b>	<b>Target Coordinates</b>	<b>Targ. Coord. Corrections</b>	<b>Fluxes</b>	<b>Miscellaneous</b>				
	(5)	NGC-2808	RA: 09 12 2.5700 (138.0107083d) Dec: -64 51 33.20 (-64.85922d) Equinox: J2000		V=6.89	Reference Frame: ICRS				
<i>Comments: This object was generated by the targetselector and retrieved from the SIMBAD database.</i>										
<b>Exposures</b>	<b>#</b>	<b>Label</b>	<b>Target</b>	<b>Config,Mode,Aperture</b>	<b>Spectral Els.</b>	<b>Opt. Params.</b>	<b>Special Reqs.</b>	<b>Groups</b>	<b>Exp. Time/[Actual Dur.]</b>	<b>Orbit</b>
	1	(5) NGC-2808		WFC3/UVIS, ACCUM, UVIS-CENTER	F438W	FLASH=12	POS TARG 10.0331, 10.0331		97 Secs [==>]	[1]
	2	(5) NGC-2808		WFC3/UVIS, ACCUM, UVIS-CENTER	F275W	FLASH=12	POS TARG 10.0331, 10.0331	Prime + Parallel Group 2-3 in Visit 16	985 Secs [==>]	[1]
	3	(5) NGC-2808		ACS/WFC, ACCUM, WFCENTER	F475W			Prime + Parallel Group 2-3 in Visit 16	890 Secs [==>]	[1]
	4	(5) NGC-2808		WFC3/UVIS, ACCUM, UVIS-CENTER	F275W	FLASH=12	POS TARG 7.5331,7.5331	Prime + Parallel Group 4-5 in Visit 16	985 Secs [==>]	[1]
	5	(5) NGC-2808		ACS/WFC, ACCUM, WFCENTER	F475W			Prime + Parallel Group 4-5 in Visit 16	982 Secs [==>]	[1]
	6	(5) NGC-2808		WFC3/UVIS, ACCUM, UVIS-CENTER	F336W	FLASH=12	POS TARG 7.5331,7.5331	Prime + Parallel Group 6-7 in Visit 16	650 Secs [==>]	[1]
	7	(5) NGC-2808		ACS/WFC, ACCUM, WFCENTER	F814W			Prime + Parallel Group 6-7 in Visit 16	508 Secs [==>]	[1]



Proposal 12605 - Visit 17 - Advances in Understanding Multiple Stellar Generations in Globular Clusters

Fri Sep 07 01:15:02 GMT 2012

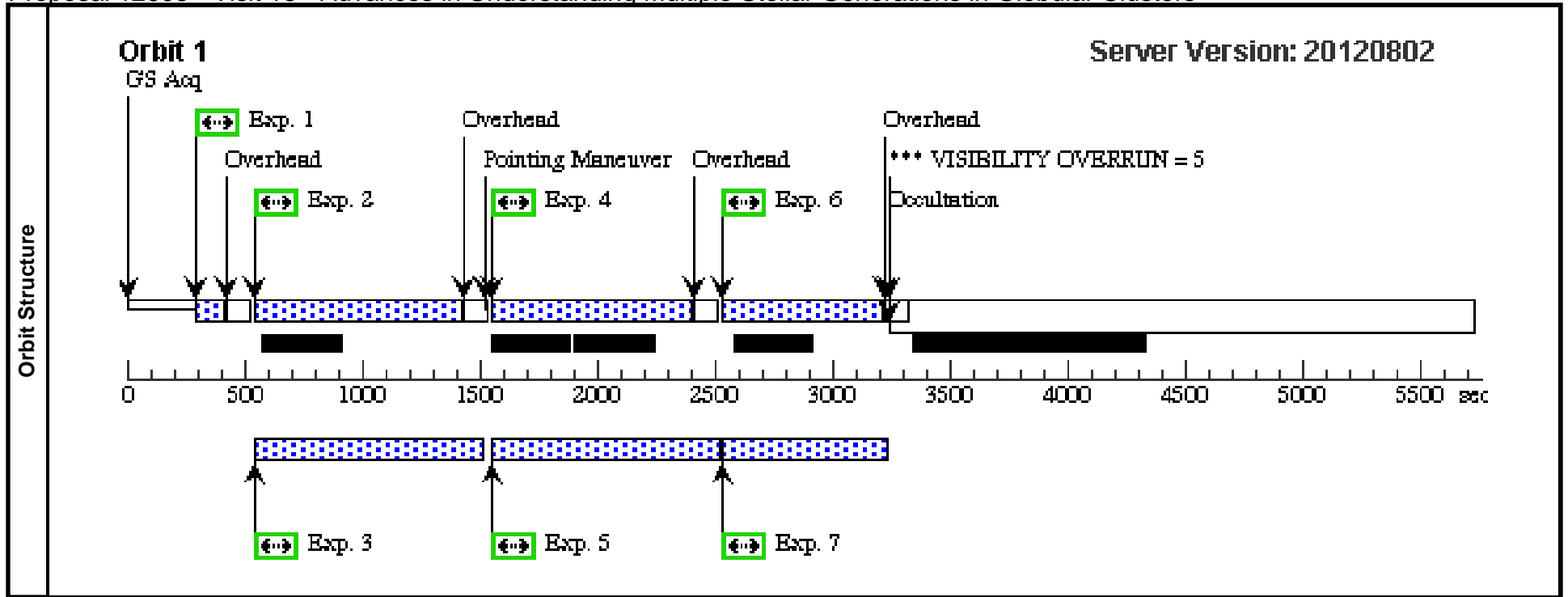
<b>Visit</b>	<b>Proposal 12605, Visit 17, scheduling</b> <b>Diagnostic Status: Warning</b> Scientific Instruments: WFC3/UVIS, ACS/WFC Special Requirements: SAME ORIENT AS 12 <i>Comments: NGC2808 --- part VI</i>									
	(Primary Exposure 2 (Prime + Parallel Group 2-3 in Visit 17)) Warning (Form): Light from the flash may escape from WFC3 and possibly contaminate exposures in other SIs. (Primary Exposure 4 (Prime + Parallel Group 4-5 in Visit 17)) Warning (Form): Light from the flash may escape from WFC3 and possibly contaminate exposures in other SIs. (Primary Exposure 6 (Prime + Parallel Group 6-7 in Visit 17)) Warning (Form): Light from the flash may escape from WFC3 and possibly contaminate exposures in other SIs.									
<b>Diagnosics</b>										
<b>Fixed Targets</b>	<b>#</b>	<b>Name</b>	<b>Target Coordinates</b>	<b>Targ. Coord. Corrections</b>	<b>Fluxes</b>	<b>Miscellaneous</b>				
	(5)	NGC-2808	RA: 09 12 2.5700 (138.0107083d) Dec: -64 51 33.20 (-64.85922d) Equinox: J2000		V=6.89	Reference Frame: ICRS				
<i>Comments: This object was generated by the targetselector and retrieved from the SIMBAD database.</i>										
<b>Exposures</b>	<b>#</b>	<b>Label</b>	<b>Target</b>	<b>Config,Mode,Aperture</b>	<b>Spectral Els.</b>	<b>Opt. Params.</b>	<b>Special Reqs.</b>	<b>Groups</b>	<b>Exp. Time/[Actual Dur.]</b>	<b>Orbit</b>
	1	(5) NGC-2808		WFC3/UVIS, ACCUM, UVIS-CENTER	F438W	FLASH=12	POS TARG 15.0398, 15.0398		97 Secs [==>]	[1]
	2	(5) NGC-2808		WFC3/UVIS, ACCUM, UVIS-CENTER	F275W	FLASH=12	POS TARG 15.0398, 15.0398	Prime + Parallel Group 2-3 in Visit 17	985 Secs [==>]	[1]
	3	(5) NGC-2808		ACS/WFC, ACCUM, WFCENTER	F475W			Prime + Parallel Group 2-3 in Visit 17	890 Secs [==>]	[1]
	4	(5) NGC-2808		WFC3/UVIS, ACCUM, UVIS-CENTER	F275W	FLASH=12	POS TARG 12.5398, 12.5398	Prime + Parallel Group 4-5 in Visit 17	985 Secs [==>]	[1]
	5	(5) NGC-2808		ACS/WFC, ACCUM, WFCENTER	F475W			Prime + Parallel Group 4-5 in Visit 17	982 Secs [==>]	[1]
	6	(5) NGC-2808		WFC3/UVIS, ACCUM, UVIS-CENTER	F336W	FLASH=12	POS TARG 12.5398, 12.5398	Prime + Parallel Group 6-7 in Visit 17	650 Secs [==>]	[1]
	7	(5) NGC-2808		ACS/WFC, ACCUM, WFCENTER	F814W			Prime + Parallel Group 6-7 in Visit 17	508 Secs [==>]	[1]



Proposal 12605 - Visit 18 - Advances in Understanding Multiple Stellar Generations in Globular Clusters

Fri Sep 07 01:15:03 GMT 2012

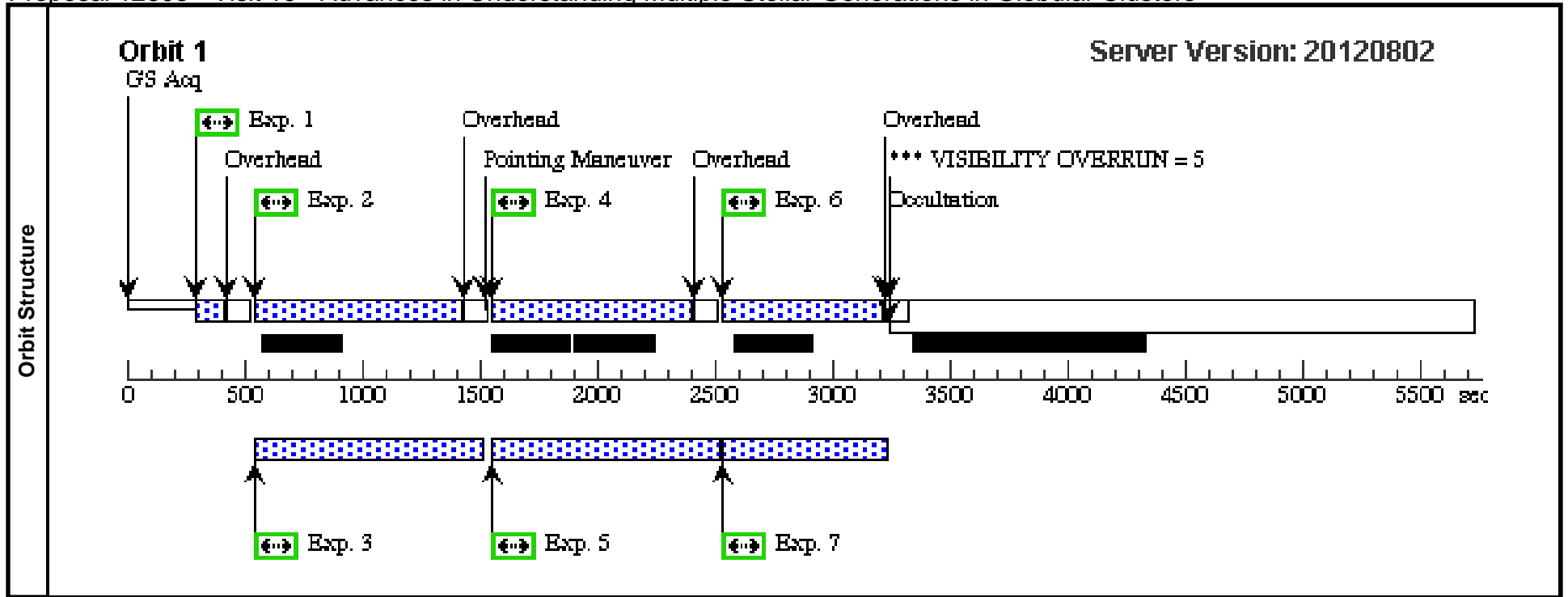
<b>Visit</b>	<b>Proposal 12605, Visit 18, completed</b> <b>Diagnostic Status: Warning</b> Scientific Instruments: WFC3/UVIS, ACS/WFC Special Requirements: ORIENT 60D TO 75 D <i>Comments: M80 --- part I</i>									
	(Visit 18) Warning (Orbit Planner): VISIBILITY OVERRUN									
<b>Fixed Targets</b>	<b>#</b>	<b>Name</b>	<b>Target Coordinates</b>	<b>Targ. Coord. Corrections</b>	<b>Fluxes</b>	<b>Miscellaneous</b>				
	(6)	M-80	RA: 16 17 2.5100 (244.2604583d) Dec: -22 58 30.40 (-22.97511d) Equinox: J2000		V=7.87	Reference Frame: ICRS				
<i>Comments: This object was generated by the targetselector and retrieved from the SIMBAD database.</i>										
<b>Exposures</b>	<b>#</b>	<b>Label</b>	<b>Target</b>	<b>Config,Mode,Aperture</b>	<b>Spectral Els.</b>	<b>Opt. Params.</b>	<b>Special Reqs.</b>	<b>Groups</b>	<b>Exp. Time/[Actual Dur.]</b>	<b>Orbit</b>
	1	(6) M-80	(6) M-80	WFC3/UVIS, ACCUM, UVIS-CENTER	F438W		POS TARG -10.006 6,-10.0066		85 Secs [==>]	[1]
	2	(6) M-80	(6) M-80	WFC3/UVIS, ACCUM, UVIS-CENTER	F275W		POS TARG -10.006 6,-10.0066	Prime + Parallel Gro up 2-3 in Visit 18	855 Secs [==>]	[1]
	3	(6) M-80	(6) M-80	ACS/WFC, ACCUM, WFCENTER	F475W			Prime + Parallel Gro up 2-3 in Visit 18	760 Secs [==>]	[1]
	4	(6) M-80	(6) M-80	WFC3/UVIS, ACCUM, UVIS-CENTER	F275W		POS TARG -12.506 6,-12.5066	Prime + Parallel Gro up 4-5 in Visit 18	855 Secs [==>]	[1]
	5	(6) M-80	(6) M-80	ACS/WFC, ACCUM, WFCENTER	F475W			Prime + Parallel Gro up 4-5 in Visit 18	845 Secs [==>]	[1]
	6	(6) M-80	(6) M-80	WFC3/UVIS, ACCUM, UVIS-CENTER	F336W		POS TARG -12.506 6,-12.5066	Prime + Parallel Gro up 6-7 in Visit 18	657 Secs [==>]	[1]
	7	(6) M-80	(6) M-80	ACS/WFC, ACCUM, WFCENTER	F814W			Prime + Parallel Gro up 6-7 in Visit 18	539 Secs [==>]	[1]



Proposal 12605 - Visit 19 - Advances in Understanding Multiple Stellar Generations in Globular Clusters

Fri Sep 07 01:15:04 GMT 2012

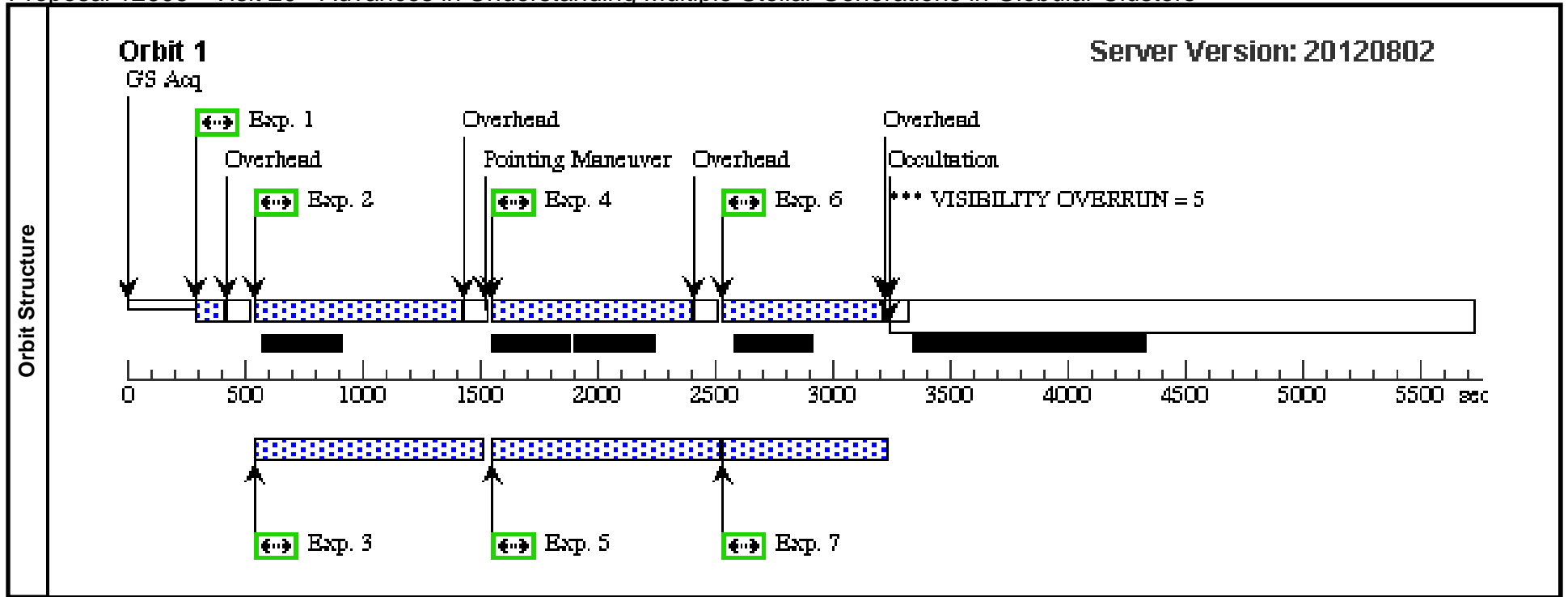
<b>Visit</b>	<b>Proposal 12605, Visit 19, completed</b> <b>Diagnostic Status: Warning</b> Scientific Instruments: WFC3/UVIS, ACS/WFC Special Requirements: SAME ORIENT AS 18 <i>Comments: M80 --- part II</i>									
	(Visit 19) Warning (Orbit Planner): VISIBILITY OVERRUN									
<b>Fixed Targets</b>	<b>#</b>	<b>Name</b>	<b>Target Coordinates</b>	<b>Targ. Coord. Corrections</b>	<b>Fluxes</b>	<b>Miscellaneous</b>				
	(6)	M-80	RA: 16 17 2.5100 (244.2604583d) Dec: -22 58 30.40 (-22.97511d) Equinox: J2000		V=7.87	Reference Frame: ICRS				
<i>Comments: This object was generated by the targetselector and retrieved from the SIMBAD database.</i>										
<b>Exposures</b>	<b>#</b>	<b>Label</b>	<b>Target</b>	<b>Config,Mode,Aperture</b>	<b>Spectral Els.</b>	<b>Opt. Params.</b>	<b>Special Reqs.</b>	<b>Groups</b>	<b>Exp. Time/[Actual Dur.]</b>	<b>Orbit</b>
	1	(6) M-80	(6) M-80	WFC3/UVIS, ACCUM, UVIS-CENTER	F438W		POS TARG -5.0132, -5.0132		85 Secs [==>]	[1]
	2	(6) M-80	(6) M-80	WFC3/UVIS, ACCUM, UVIS-CENTER	F275W		POS TARG -5.0132, -5.0132	Prime + Parallel Group 2-3 in Visit 19	855 Secs [==>]	[1]
	3	(6) M-80	(6) M-80	ACS/WFC, ACCUM, WFCENTER	F475W			Prime + Parallel Group 2-3 in Visit 19	760 Secs [==>]	[1]
	4	(6) M-80	(6) M-80	WFC3/UVIS, ACCUM, UVIS-CENTER	F275W		POS TARG -7.5132, -7.5132	Prime + Parallel Group 4-5 in Visit 19	855 Secs [==>]	[1]
	5	(6) M-80	(6) M-80	ACS/WFC, ACCUM, WFCENTER	F475W			Prime + Parallel Group 4-5 in Visit 19	845 Secs [==>]	[1]
	6	(6) M-80	(6) M-80	WFC3/UVIS, ACCUM, UVIS-CENTER	F336W		POS TARG -7.5132, -7.5132	Prime + Parallel Group 6-7 in Visit 19	657 Secs [==>]	[1]
	7	(6) M-80	(6) M-80	ACS/WFC, ACCUM, WFCENTER	F814W			Prime + Parallel Group 6-7 in Visit 19	539 Secs [==>]	[1]



Proposal 12605 - Visit 20 - Advances in Understanding Multiple Stellar Generations in Globular Clusters

Fri Sep 07 01:15:05 GMT 2012

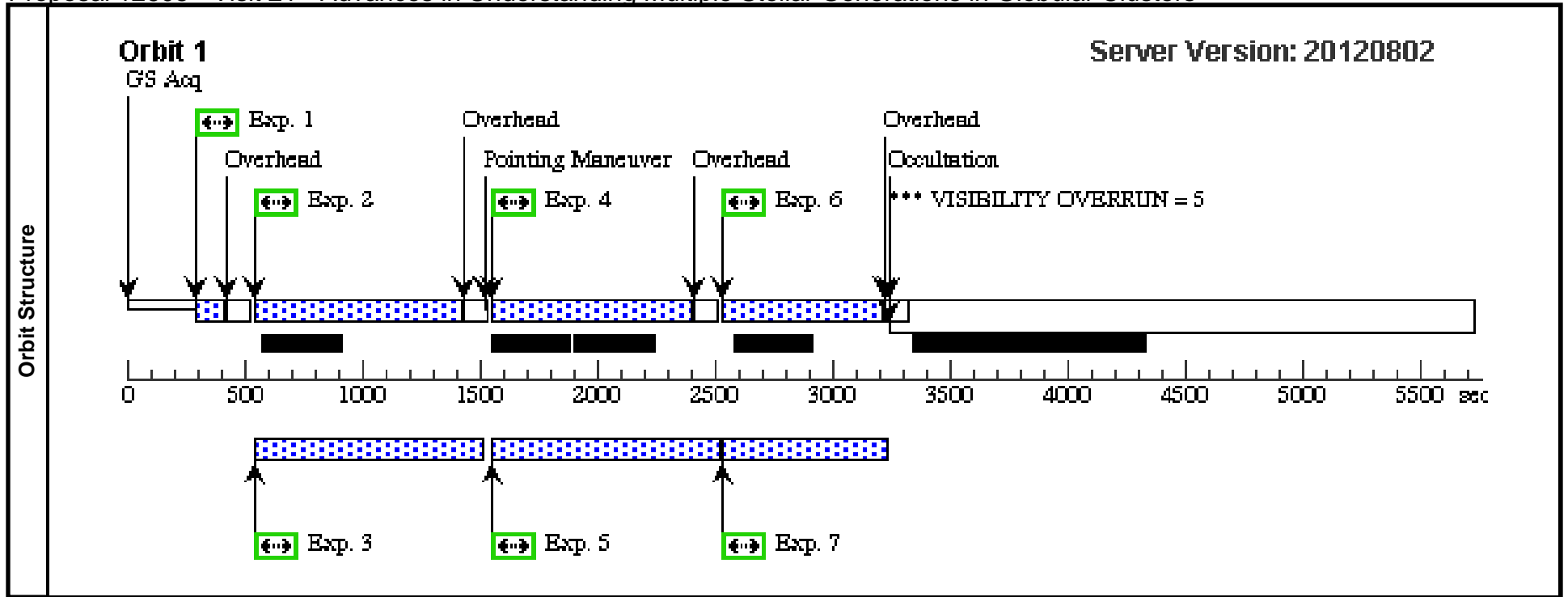
<b>Visit</b>	<b>Proposal 12605, Visit 20, completed</b> <b>Diagnostic Status: Warning</b> Scientific Instruments: WFC3/UVIS, ACS/WFC Special Requirements: SAME ORIENT AS 18 <i>Comments: M80 --- part III</i>																																																																																					
	(Visit 20) Warning (Orbit Planner): VISIBILITY OVERRUN																																																																																					
<b>Diagnosics</b>																																																																																						
<b>Fixed Targets</b>	<table border="1"> <thead> <tr> <th>#</th> <th>Name</th> <th>Target Coordinates</th> <th>Targ. Coord. Corrections</th> <th>Fluxes</th> <th>Miscellaneous</th> </tr> </thead> <tbody> <tr> <td>(6)</td> <td>M-80</td> <td>RA: 16 17 2.5100 (244.2604583d) Dec: -22 58 30.40 (-22.97511d) Equinox: J2000</td> <td></td> <td>V=7.87</td> <td>Reference Frame: ICRS</td> </tr> </tbody> </table>	#	Name	Target Coordinates	Targ. Coord. Corrections	Fluxes	Miscellaneous	(6)	M-80	RA: 16 17 2.5100 (244.2604583d) Dec: -22 58 30.40 (-22.97511d) Equinox: J2000		V=7.87	Reference Frame: ICRS	<i>Comments: This object was generated by the targetselector and retrieved from the SIMBAD database.</i>																																																																								
	#	Name	Target Coordinates	Targ. Coord. Corrections	Fluxes	Miscellaneous																																																																																
(6)	M-80	RA: 16 17 2.5100 (244.2604583d) Dec: -22 58 30.40 (-22.97511d) Equinox: J2000		V=7.87	Reference Frame: ICRS																																																																																	
<b>Exposures</b>	<table border="1"> <thead> <tr> <th>#</th> <th>Label</th> <th>Target</th> <th>Config,Mode,Aperture</th> <th>Spectral Els.</th> <th>Opt. Params.</th> <th>Special Reqs.</th> <th>Groups</th> <th>Exp. Time/[Actual Dur.]</th> <th>Orbit</th> </tr> </thead> <tbody> <tr> <td>1</td> <td>(6) M-80</td> <td></td> <td>WFC3/UVIS, ACCUM, UVIS-CENTER</td> <td>F438W</td> <td></td> <td>POS TARG 0.0199,0 .0199</td> <td></td> <td>85 Secs [==&gt;]</td> <td>[1]</td> </tr> <tr> <td>2</td> <td>(6) M-80</td> <td></td> <td>WFC3/UVIS, ACCUM, UVIS-CENTER</td> <td>F275W</td> <td></td> <td>POS TARG 0.0199,0 .0199</td> <td>Prime + Parallel Group 2-3 in Visit 20</td> <td>855 Secs [==&gt;]</td> <td>[1]</td> </tr> <tr> <td>3</td> <td>(6) M-80</td> <td></td> <td>ACS/WFC, ACCUM, WFCENTER</td> <td>F475W</td> <td></td> <td></td> <td>Prime + Parallel Group 2-3 in Visit 20</td> <td>760 Secs [==&gt;]</td> <td>[1]</td> </tr> <tr> <td>4</td> <td>(6) M-80</td> <td></td> <td>WFC3/UVIS, ACCUM, UVIS-CENTER</td> <td>F275W</td> <td></td> <td>POS TARG -2.4801, -2.4801</td> <td>Prime + Parallel Group 4-5 in Visit 20</td> <td>855 Secs [==&gt;]</td> <td>[1]</td> </tr> <tr> <td>5</td> <td>(6) M-80</td> <td></td> <td>ACS/WFC, ACCUM, WFCENTER</td> <td>F475W</td> <td></td> <td></td> <td>Prime + Parallel Group 4-5 in Visit 20</td> <td>845 Secs [==&gt;]</td> <td>[1]</td> </tr> <tr> <td>6</td> <td>(6) M-80</td> <td></td> <td>WFC3/UVIS, ACCUM, UVIS-CENTER</td> <td>F336W</td> <td></td> <td>POS TARG -2.4801, -2.4801</td> <td>Prime + Parallel Group 6-7 in Visit 20</td> <td>657 Secs [==&gt;]</td> <td>[1]</td> </tr> <tr> <td>7</td> <td>(6) M-80</td> <td></td> <td>ACS/WFC, ACCUM, WFCENTER</td> <td>F814W</td> <td></td> <td></td> <td>Prime + Parallel Group 6-7 in Visit 20</td> <td>539 Secs [==&gt;]</td> <td>[1]</td> </tr> </tbody> </table>	#	Label	Target	Config,Mode,Aperture	Spectral Els.	Opt. Params.	Special Reqs.	Groups	Exp. Time/[Actual Dur.]	Orbit	1	(6) M-80		WFC3/UVIS, ACCUM, UVIS-CENTER	F438W		POS TARG 0.0199,0 .0199		85 Secs [==>]	[1]	2	(6) M-80		WFC3/UVIS, ACCUM, UVIS-CENTER	F275W		POS TARG 0.0199,0 .0199	Prime + Parallel Group 2-3 in Visit 20	855 Secs [==>]	[1]	3	(6) M-80		ACS/WFC, ACCUM, WFCENTER	F475W			Prime + Parallel Group 2-3 in Visit 20	760 Secs [==>]	[1]	4	(6) M-80		WFC3/UVIS, ACCUM, UVIS-CENTER	F275W		POS TARG -2.4801, -2.4801	Prime + Parallel Group 4-5 in Visit 20	855 Secs [==>]	[1]	5	(6) M-80		ACS/WFC, ACCUM, WFCENTER	F475W			Prime + Parallel Group 4-5 in Visit 20	845 Secs [==>]	[1]	6	(6) M-80		WFC3/UVIS, ACCUM, UVIS-CENTER	F336W		POS TARG -2.4801, -2.4801	Prime + Parallel Group 6-7 in Visit 20	657 Secs [==>]	[1]	7	(6) M-80		ACS/WFC, ACCUM, WFCENTER	F814W			Prime + Parallel Group 6-7 in Visit 20	539 Secs [==>]	[1]					
	#	Label	Target	Config,Mode,Aperture	Spectral Els.	Opt. Params.	Special Reqs.	Groups	Exp. Time/[Actual Dur.]	Orbit																																																																												
	1	(6) M-80		WFC3/UVIS, ACCUM, UVIS-CENTER	F438W		POS TARG 0.0199,0 .0199		85 Secs [==>]	[1]																																																																												
	2	(6) M-80		WFC3/UVIS, ACCUM, UVIS-CENTER	F275W		POS TARG 0.0199,0 .0199	Prime + Parallel Group 2-3 in Visit 20	855 Secs [==>]	[1]																																																																												
	3	(6) M-80		ACS/WFC, ACCUM, WFCENTER	F475W			Prime + Parallel Group 2-3 in Visit 20	760 Secs [==>]	[1]																																																																												
	4	(6) M-80		WFC3/UVIS, ACCUM, UVIS-CENTER	F275W		POS TARG -2.4801, -2.4801	Prime + Parallel Group 4-5 in Visit 20	855 Secs [==>]	[1]																																																																												
	5	(6) M-80		ACS/WFC, ACCUM, WFCENTER	F475W			Prime + Parallel Group 4-5 in Visit 20	845 Secs [==>]	[1]																																																																												
	6	(6) M-80		WFC3/UVIS, ACCUM, UVIS-CENTER	F336W		POS TARG -2.4801, -2.4801	Prime + Parallel Group 6-7 in Visit 20	657 Secs [==>]	[1]																																																																												
7	(6) M-80		ACS/WFC, ACCUM, WFCENTER	F814W			Prime + Parallel Group 6-7 in Visit 20	539 Secs [==>]	[1]																																																																													



Proposal 12605 - Visit 21 - Advances in Understanding Multiple Stellar Generations in Globular Clusters

Fri Sep 07 01:15:06 GMT 2012

<b>Visit</b>	<b>Proposal 12605, Visit 21, completed</b> <b>Diagnostic Status: Warning</b> Scientific Instruments: WFC3/UVIS, ACS/WFC Special Requirements: SAME ORIENT AS 18 <i>Comments: M80 --- part IV</i>									
	(Visit 21) Warning (Orbit Planner): VISIBILITY OVERRUN									
<b>Fixed Targets</b>	<b>#</b>	<b>Name</b>	<b>Target Coordinates</b>	<b>Targ. Coord. Corrections</b>	<b>Fluxes</b>	<b>Miscellaneous</b>				
	(6)	M-80	RA: 16 17 2.5100 (244.2604583d) Dec: -22 58 30.40 (-22.97511d) Equinox: J2000		V=7.87	Reference Frame: ICRS				
<i>Comments: This object was generated by the targetselector and retrieved from the SIMBAD database.</i>										
<b>Exposures</b>	<b>#</b>	<b>Label</b>	<b>Target</b>	<b>Config,Mode,Aperture</b>	<b>Spectral Els.</b>	<b>Opt. Params.</b>	<b>Special Reqs.</b>	<b>Groups</b>	<b>Exp. Time/[Actual Dur.]</b>	<b>Orbit</b>
	1	(6) M-80	(6) M-80	WFC3/UVIS, ACCUM, UVIS-CENTER	F438W		POS TARG 5.0265,5 .0265		85 Secs [==>]	[1]
	2	(6) M-80	(6) M-80	WFC3/UVIS, ACCUM, UVIS-CENTER	F275W		POS TARG 5.0265,5 .0265	Prime + Parallel Group 2-3 in Visit 21	855 Secs [==>]	[1]
	3	(6) M-80	(6) M-80	ACS/WFC, ACCUM, WFCENTER	F475W			Prime + Parallel Group 2-3 in Visit 21	760 Secs [==>]	[1]
	4	(6) M-80	(6) M-80	WFC3/UVIS, ACCUM, UVIS-CENTER	F275W		POS TARG 2.5265,2 .5265	Prime + Parallel Group 4-5 in Visit 21	855 Secs [==>]	[1]
	5	(6) M-80	(6) M-80	ACS/WFC, ACCUM, WFCENTER	F475W			Prime + Parallel Group 4-5 in Visit 21	845 Secs [==>]	[1]
	6	(6) M-80	(6) M-80	WFC3/UVIS, ACCUM, UVIS-CENTER	F336W		POS TARG 2.5265,2 .5265	Prime + Parallel Group 6-7 in Visit 21	657 Secs [==>]	[1]
	7	(6) M-80	(6) M-80	ACS/WFC, ACCUM, WFCENTER	F814W			Prime + Parallel Group 6-7 in Visit 21	539 Secs [==>]	[1]



Proposal 12605 - Visit 22 - Advances in Understanding Multiple Stellar Generations in Globular Clusters

Fri Sep 07 01:15:07 GMT 2012

<b>Visit</b>	<b>Proposal 12605, Visit 22, completed</b> <b>Diagnostic Status: Warning</b> Scientific Instruments: WFC3/UVIS, ACS/WFC Special Requirements: SAME ORIENT AS 18 <i>Comments: M80 --- part V</i>									
	(Visit 22) Warning (Orbit Planner): VISIBILITY OVERRUN									
<b>Fixed Targets</b>	<b>#</b>	<b>Name</b>	<b>Target Coordinates</b>	<b>Targ. Coord. Corrections</b>	<b>Fluxes</b>	<b>Miscellaneous</b>				
	(6)	M-80	RA: 16 17 2.5100 (244.2604583d) Dec: -22 58 30.40 (-22.97511d) Equinox: J2000 <i>Comments: This object was generated by the targetselector and retrieved from the SIMBAD database.</i>		V=7.87	Reference Frame: ICRS				
<b>Exposures</b>	<b>#</b>	<b>Label</b>	<b>Target</b>	<b>Config,Mode,Aperture</b>	<b>Spectral Els.</b>	<b>Opt. Params.</b>	<b>Special Reqs.</b>	<b>Groups</b>	<b>Exp. Time/[Actual Dur.]</b>	<b>Orbit</b>
	1	(6) M-80	(6) M-80	WFC3/UVIS, ACCUM, UVIS-CENTER	F438W		POS TARG 10.0331, 10.0331		85 Secs [==>]	[1]
	2	(6) M-80	(6) M-80	WFC3/UVIS, ACCUM, UVIS-CENTER	F275W		POS TARG 10.0331, 10.0331	Prime + Parallel Group 2-3 in Visit 22	855 Secs [==>]	[1]
	3	(6) M-80	(6) M-80	ACS/WFC, ACCUM, WFCENTER	F475W			Prime + Parallel Group 2-3 in Visit 22	760 Secs [==>]	[1]
	4	(6) M-80	(6) M-80	WFC3/UVIS, ACCUM, UVIS-CENTER	F275W		POS TARG 7.5331,7 .5331	Prime + Parallel Group 4-5 in Visit 22	855 Secs [==>]	[1]
	5	(6) M-80	(6) M-80	ACS/WFC, ACCUM, WFCENTER	F475W			Prime + Parallel Group 4-5 in Visit 22	845 Secs [==>]	[1]
	6	(6) M-80	(6) M-80	WFC3/UVIS, ACCUM, UVIS-CENTER	F336W		POS TARG 7.5331,7 .5331	Prime + Parallel Group 6-7 in Visit 22	657 Secs [==>]	[1]
	7	(6) M-80	(6) M-80	ACS/WFC, ACCUM, WFCENTER	F814W			Prime + Parallel Group 6-7 in Visit 22	539 Secs [==>]	[1]

