



13393 - Galaxy Transformation in the Infall Regions of Clusters

Cycle: 21, Proposal Category: GO

(Availability Mode: SUPPORTED)

INVESTIGATORS

<i>Name</i>	<i>Institution</i>	<i>E-Mail</i>
Prof. Dennis Zaritsky (PI) (Contact)	University of Arizona	dzaritsky@as.arizona.edu
Prof. Gregory Rudnick (CoI)	University of Kansas Center for Research, Inc.	grudnick@ku.edu
Dr. Dennis Just (CoI)	University of Toronto	dwjust@gmail.com
Dr. Pascale Jablonka (CoI) (ESA Member)	Ecole Polytechnique Federale de Lausanne	pascale.jablonka@epfl.ch
Dr. A. Aragon-Salamanca (CoI) (ESA Member)	University of Nottingham	alfonso.aragon@nottingham.ac.uk
Dr. Vandana Desai (CoI)	Jet Propulsion Laboratory	vandesai@gmail.com
Prof. Rose Finn (CoI)	Siena College	rfinn@siena.edu
Dr. Bo Milvang-Jensen (CoI) (ESA Member)	University of Copenhagen, Niels Bohr Institute	milvang@astro.ku.dk
Dr. Luc Simard (CoI)	Dominion Astrophysical Observatory	luc.simard@nrc.ca
Dr. Gabriella De Lucia (CoI) (ESA Member)	INAF, Osservatorio Astronomico di Trieste	delucia@oats.inaf.it
Dr. Bianca Poggianti (CoI) (ESA Member)	Osservatorio Astronomico di Padova	poggianti@pd.astro.it

VISITS

<i>Visit</i>	<i>Targets used in Visit</i>	<i>Configurations used in Visit</i>	<i>Orbits Used</i>	<i>Last Orbit Planner Run</i>	<i>OP Current with Visit?</i>
01	(1) CL1018-1 ANY	ACS/WFC WFC3/UVIS	2	14-Jun-2013 21:27:01.0	yes
02	(2) CL1054-1 ANY	ACS/WFC WFC3/UVIS	2	14-Jun-2013 21:27:25.0	yes
03	(3) CL1059-1 ANY	ACS/WFC WFC3/UVIS	2	14-Jun-2013 21:27:46.0	yes

Proposal 13393 (STScI Edit Number: 1, Created: Friday, June 14, 2013 8:31:52 PM EST) - Overview

<i>Visit</i>	<i>Targets used in Visit</i>	<i>Configurations used in Visit</i>	<i>Orbits Used</i>	<i>Last Orbit Planner Run</i>	<i>OP Current with Visit?</i>
04	(4) CL1059-2 ANY	ACS/WFC WFC3/UVIS	2	14-Jun-2013 21:28:06.0	yes
05	(5) CL1138-1 ANY	ACS/WFC WFC3/UVIS	2	14-Jun-2013 21:28:26.0	yes
06	(6) CL1138-2 ANY	ACS/WFC WFC3/UVIS	2	14-Jun-2013 21:28:48.0	yes
07	(7) CL1216-1 ANY	ACS/WFC WFC3/UVIS	2	14-Jun-2013 21:29:07.0	yes
08	(8) CL1216-2 ANY	ACS/WFC WFC3/UVIS	2	14-Jun-2013 21:29:25.0	yes
09	(9) CL1232-1 ANY	ACS/WFC WFC3/UVIS	2	14-Jun-2013 21:29:44.0	yes
10	(10) CL1232-2 ANY	ACS/WFC WFC3/UVIS	2	14-Jun-2013 21:30:02.0	yes
11	(11) CL1301-1 ANY	ACS/WFC WFC3/UVIS	2	14-Jun-2013 21:30:21.0	yes
12	(12) CL1301-2 ANY	ACS/WFC WFC3/UVIS	2	14-Jun-2013 21:30:43.0	yes
13	(13) CL1301-3 ANY	ACS/WFC WFC3/UVIS	2	14-Jun-2013 21:31:00.0	yes
14	(14) CL1411-1 ANY	ACS/WFC WFC3/UVIS	2	14-Jun-2013 21:31:18.0	yes
15	(15) CL1411-2 ANY	ACS/WFC WFC3/UVIS	2	14-Jun-2013 21:31:37.0	yes

30 Total Orbits Used

ABSTRACT

Proposal 13393 (STScI Edit Number: 1, Created: Friday, June 14, 2013 8:31:52 PM EST) - Overview

The rise in the number of S0's in dense environments since $z = 0.5$, and the corresponding decline in spiral galaxies, points strongly to S0's being a product of the hierarchical processes that build structure. However, the physical mechanism responsible for the transformation from spiral to lenticular is hotly debated and several viable candidates exist. We propose a survey of the infall regions of clusters, as traced using our existing wide field spectroscopic survey of groups and clusters at $0.4 < z < 0.8$ out to ~ 3 virial radii, to discriminate between these mechanisms, whose effectiveness varies with environment. By determining where S0's form, rather than where they are ultimately found in great numbers (i.e. massive clusters), and by examining whether the bulge populations of these infalling systems are young, we will determine what processes are responsible for creating the large stellar bulges in these systems. By reaching out to at least 3 virial radii, we will be studying the regions from which over 90% of the galaxies that reside in today's clusters come from, as such we are guaranteed to be observing galaxies before, during, and after this transformation.

OBSERVING DESCRIPTION

The observing program is straightforward. We will obtain ACS/WFC images at specific positions in the outskirts of intermediate redshift galaxy clusters that are chosen to maximize the number of cluster-associated galaxies. Parallel exposures in WFC3/UVIS provide additional coverage of the cluster outskirts. Both cameras will use F814W and F606W each for 1 orbit per position.

ADDITIONAL COMMENTS

We have chosen the same 4-pt dither pattern as in the Brown et al. example proposal (-0.1976,-0.016) (0.2223,0.018) (0.1729, 0.2363) (0.0,0.1729) arcsec. This will give 0.5 pixel sampling on ACS/WFC and nearly 0.5 pixel sampling on WFC3/UVIS, because 4 ACS pixels are approximately 5 WFC3 pixels.

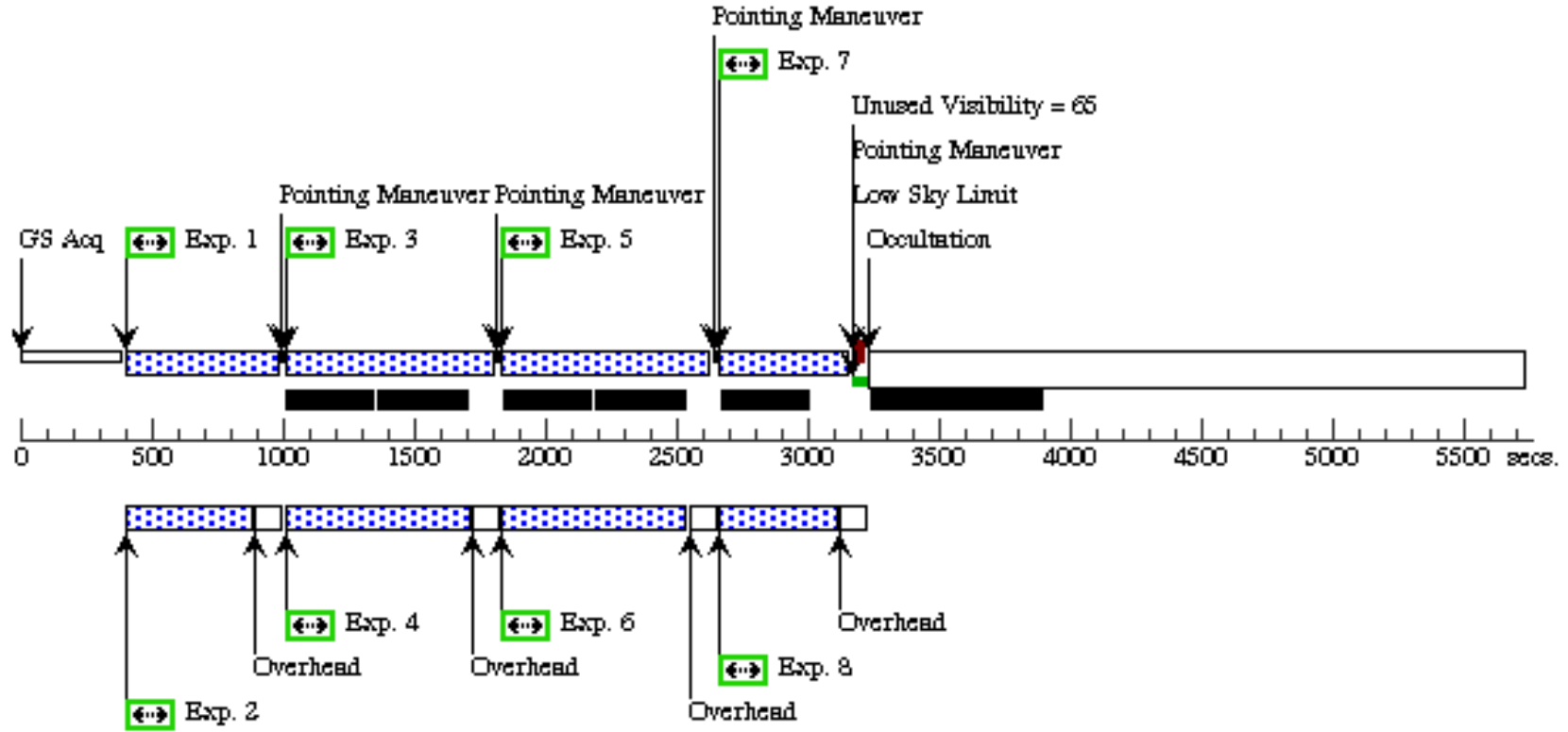
Proposal 13393 - 1018-1 (01) - Galaxy Transformation in the Infall Regions of Clusters

Visit	Proposal 13393, 1018-1 (01), implementation Sat Jun 15 01:31:52 GMT 2013 Diagnostic Status: No Diagnostics Scientific Instruments: WFC3/UVIS, ACS/WFC Special Requirements: (none)					
	Fixed Targets	#	Name	Target Coordinates	Targ. Coord. Corrections	Fluxes
(1)		CL1018-1	RA: 10 18 22.8000 (154.5950000d) Dec: -12 14 45.60 (-12.24600d) Equinox: J2000	Redshift: 0.47	V=22+/-1	Reference Frame: ICRS

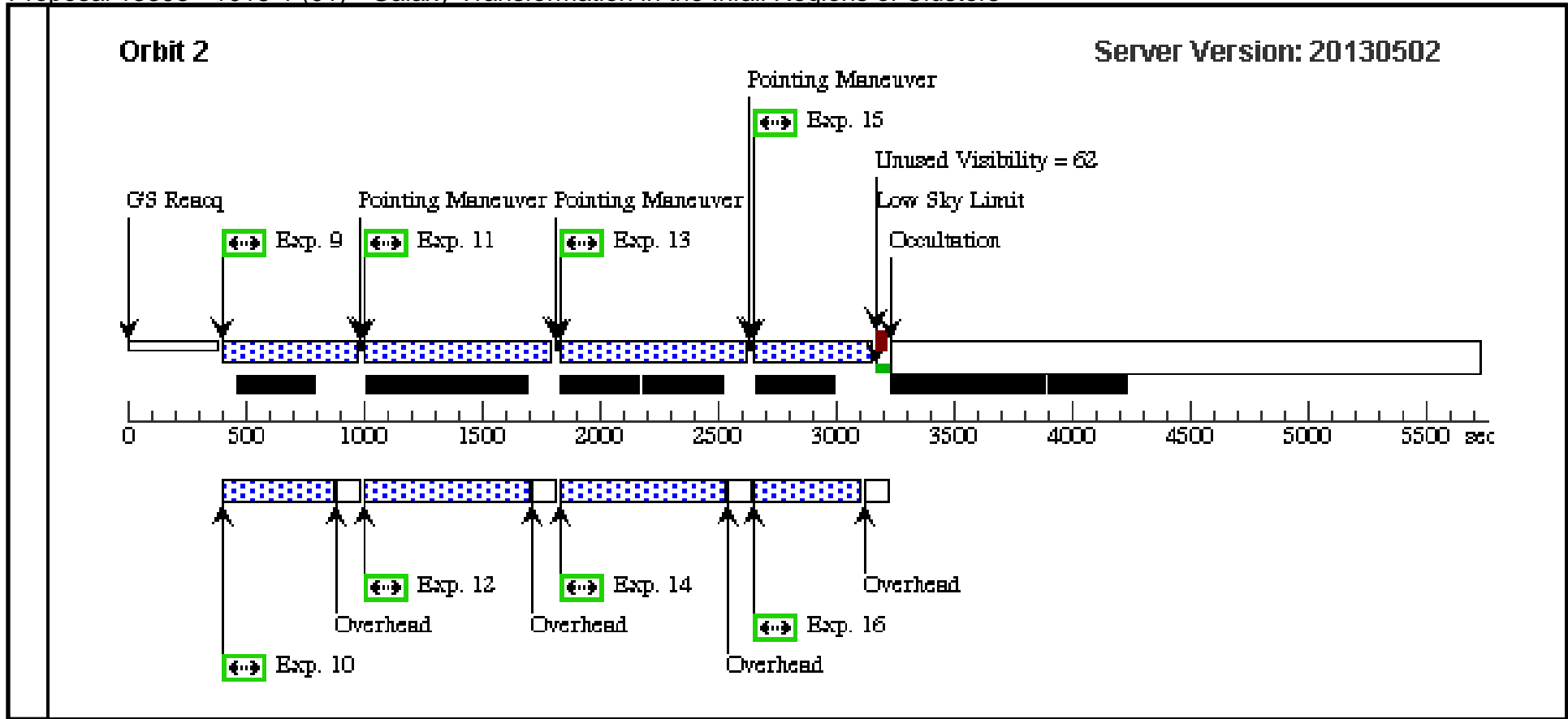
Proposal 13393 - 1018-1 (01) - Galaxy Transformation in the Infall Regions of Clusters

Exposures	#	Label	Target	Config,Mode,Aperture	Spectral Els.	Opt. Params.	Special Reqs.	Groups	Exp. Time (Total)/[Actual Dur.]	Orbit
	1	1018-1-606 W-1	(1) CL1018-1	ACS/WFC, ACCUM, WFCENTER	F606W	CR-SPLIT=NO; GAIN=2.0	POS TARG -0.1976, -0.016; LOW-SKY	Prime + Parallel Group 1-2 in 1018-1 (01)	370 Secs (370 Secs) [==>]	[1]
	2	par1018-1-6 06W-1	ANY	WFC3/UVIS, ACCUM, UVIS-CENTER	F606W	CR-SPLIT=NO		Prime + Parallel Group 1-2 in 1018-1 (01)	450 Secs (450 Secs) [==>]	[1]
	3	1018-1-606 W-2	(1) CL1018-1	ACS/WFC, ACCUM, WFCENTER	F606W	CR-SPLIT=NO; GAIN=2.0	POS TARG 0.2223,0 .018; LOW-SKY	Prime + Parallel Group 3-4 in 1018-1 (01)	670 Secs (670 Secs) [==>]	[1]
	4	par1018-1-6 06W-2	ANY	WFC3/UVIS, ACCUM, UVIS-CENTER	F606W	CR-SPLIT=NO		Prime + Parallel Group 3-4 in 1018-1 (01)	700 Secs (700 Secs) [==>]	[1]
	5	1018-1-606 W-3	(1) CL1018-1	ACS/WFC, ACCUM, WFCENTER	F606W	CR-SPLIT=NO; GAIN=2.0	POS TARG 0.1729,0 .2363; LOW-SKY	Prime + Parallel Group 5-6 in 1018-1 (01)	670 Secs (670 Secs) [==>]	[1]
	6	par1018-1-6 06W-3	ANY	WFC3/UVIS, ACCUM, UVIS-CENTER	F606W	CR-SPLIT=NO		Prime + Parallel Group 5-6 in 1018-1 (01)	700 Secs (700 Secs) [==>]	[1]
	7	1018-1-606 W-4	(1) CL1018-1	ACS/WFC, ACCUM, WFCENTER	F606W	CR-SPLIT=NO; GAIN=2.0	POS TARG 0.0,0.17 29; LOW-SKY	Prime + Parallel Group 7-8 in 1018-1 (01)	370 Secs (370 Secs) [==>]	[1]
	8	par1018-1-6 06W-4	ANY	WFC3/UVIS, ACCUM, UVIS-CENTER	F606W	CR-SPLIT=NO		Prime + Parallel Group 7-8 in 1018-1 (01)	450 Secs (450 Secs) [==>]	[1]
	9	1018-1-814 W-1	(1) CL1018-1	ACS/WFC, ACCUM, WFCENTER	F814W	CR-SPLIT=NO; GAIN=2.0	POS TARG -0.1976, -0.016; LOW-SKY	Prime + Parallel Group 9-10 in 1018-1 (01)	390 Secs (390 Secs) [==>]	[2]
	10	par1018-1-8 14W-1	ANY	WFC3/UVIS, ACCUM, UVIS-CENTER	F814W	CR-SPLIT=NO		Prime + Parallel Group 9-10 in 1018-1 (01)	450 Secs (450 Secs) [==>]	[2]
	11	1018-1-814 W-2	(1) CL1018-1	ACS/WFC, ACCUM, WFCENTER	F814W	CR-SPLIT=NO; GAIN=2.0	POS TARG 0.2223,0 .018; LOW-SKY	Prime + Parallel Group 11-12 in 1018-1 (01)	670 Secs (670 Secs) [==>]	[2]
	12	par1018-1-8 14W-2	ANY	WFC3/UVIS, ACCUM, UVIS-CENTER	F814W	CR-SPLIT=NO		Prime + Parallel Group 11-12 in 1018-1 (01)	700 Secs (700 Secs) [==>]	[2]
	13	1018-1-814 W-3	(1) CL1018-1	ACS/WFC, ACCUM, WFCENTER	F814W	CR-SPLIT=NO; GAIN=2.0	POS TARG 0.1729,0 .2363; LOW-SKY	Prime + Parallel Group 13-14 in 1018-1 (01)	670 Secs (670 Secs) [==>]	[2]
	14	par1018-1-8 14W-3	ANY	WFC3/UVIS, ACCUM, UVIS-CENTER	F814W	CR-SPLIT=NO		Prime + Parallel Group 13-14 in 1018-1 (01)	700 Secs (700 Secs) [==>]	[2]
	15	1018-1-814 W-4	(1) CL1018-1	ACS/WFC, ACCUM, WFCENTER	F814W	CR-SPLIT=NO; GAIN=2.0	POS TARG 0.0,0.17 29; LOW-SKY	Prime + Parallel Group 15-16 in 1018-1 (01)	380 Secs (380 Secs) [==>]	[2]
	16	par1018-1-8 14W-4	ANY	WFC3/UVIS, ACCUM, UVIS-CENTER	F814W	CR-SPLIT=NO		Prime + Parallel Group 15-16 in 1018-1 (01)	450 Secs (450 Secs) [==>]	[2]

Orbit 1



Orbit Structure



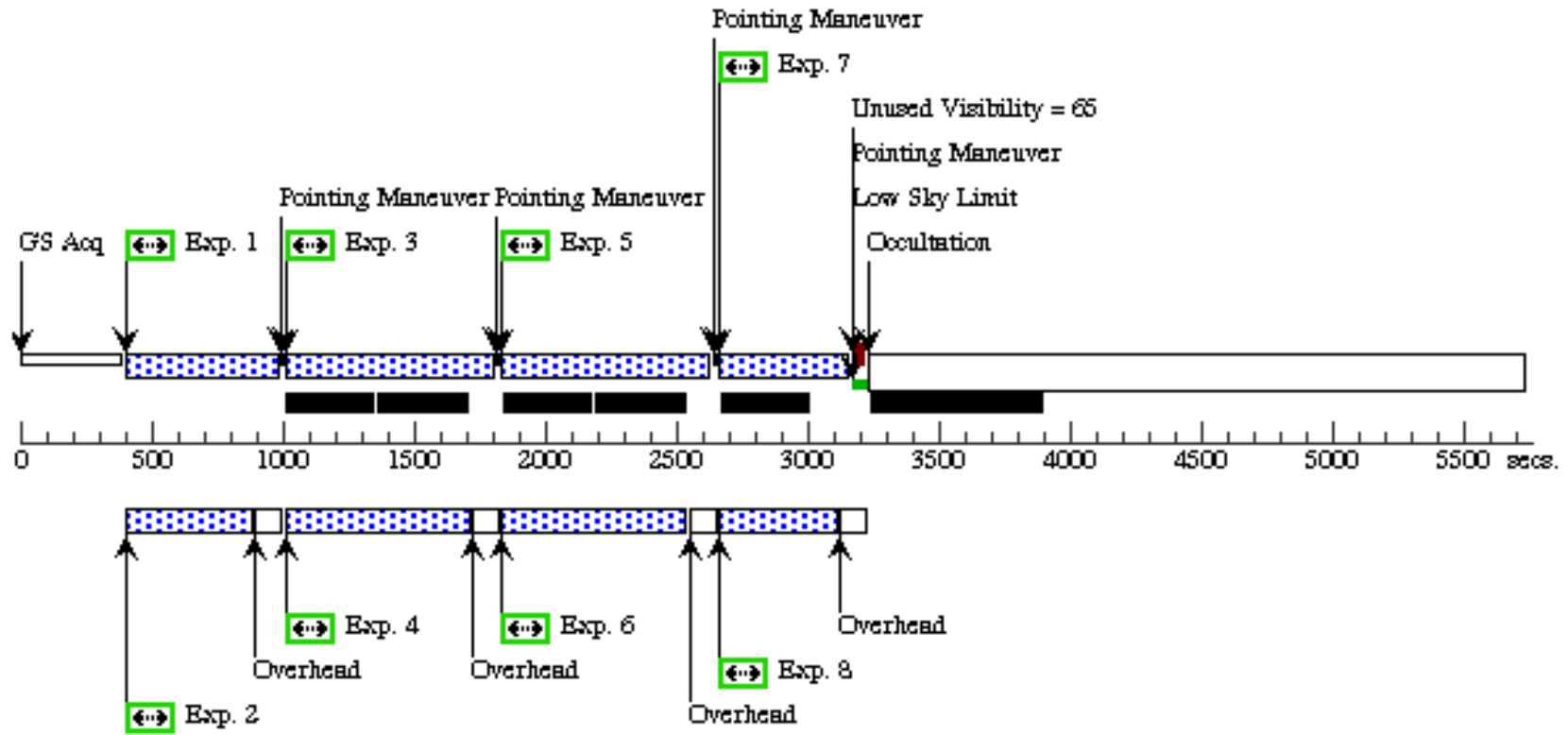
Proposal 13393 - 1054-1 (02) - Galaxy Transformation in the Infall Regions of Clusters

Visit	Proposal 13393, 1054-1 (02), implementation Sat Jun 15 01:31:56 GMT 2013 Diagnostic Status: No Diagnostics Scientific Instruments: WFC3/UVIS, ACS/WFC Special Requirements: (none)					
	Fixed Targets	#	Name	Target Coordinates	Targ. Coord. Corrections	Fluxes
(2)		CL1054-1	RA: 10 54 40.1000 (163.6670833d) Dec: -12 50 24.00 (-12.84000d) Equinox: J2000	Redshift: 0.75	V=22+/-1	Reference Frame: ICRS

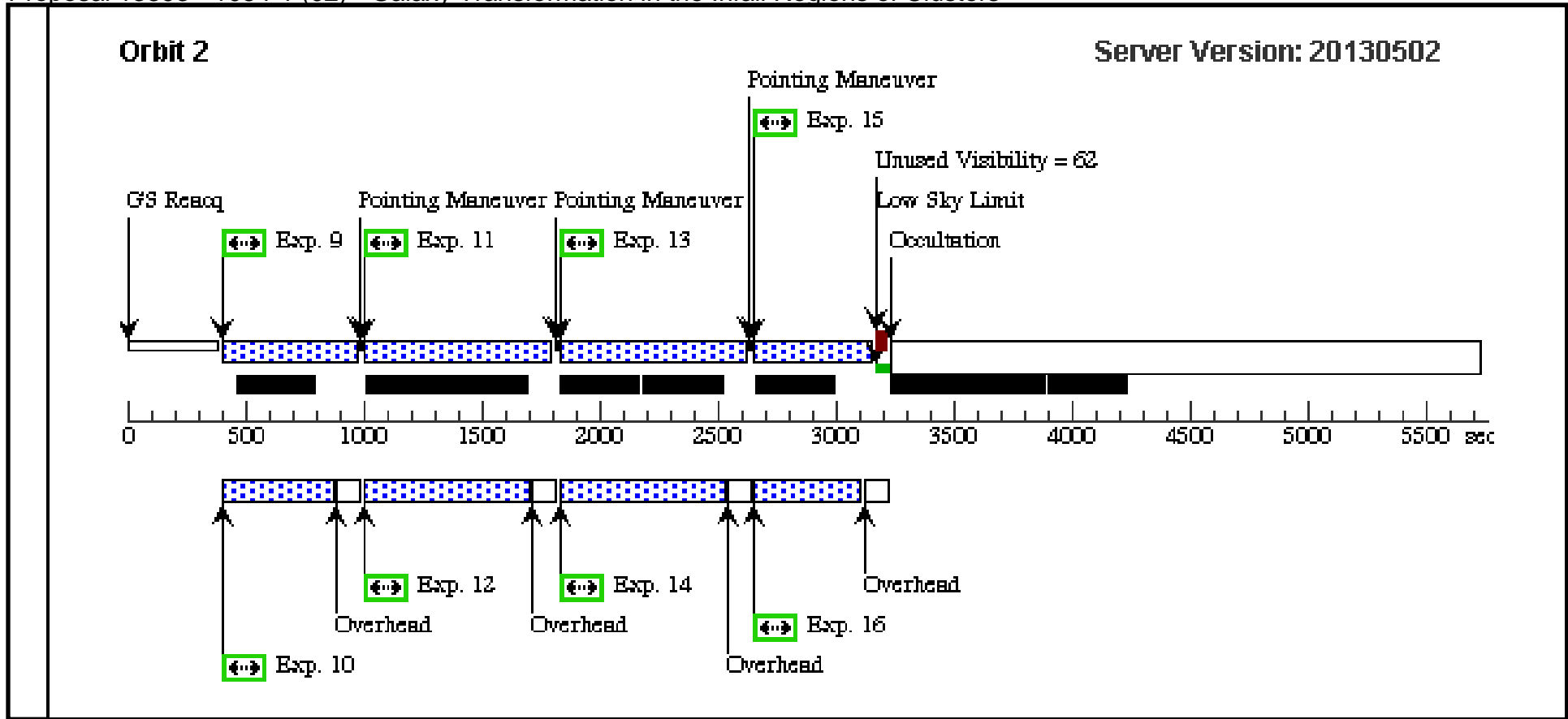
Proposal 13393 - 1054-1 (02) - Galaxy Transformation in the Infall Regions of Clusters

Exposures	#	Label	Target	Config,Mode,Aperture	Spectral Els.	Opt. Params.	Special Reqs.	Groups	Exp. Time (Total)/[Actual Dur.]	Orbit
	1	1054-1-606 W-1	(2) CL1054-1	ACS/WFC, ACCUM, WFCENTER	F606W	CR-SPLIT=NO; GAIN=2.0	POS TARG -0.1976, -0.016; LOW-SKY	Prime + Parallel Group 1-2 in 1054-1 (02)	370 Secs (370 Secs) [==>]	[1]
	2	par1054-1-6 06W-1	ANY	WFC3/UVIS, ACCUM, UVIS-CENTER	F606W	CR-SPLIT=NO		Prime + Parallel Group 1-2 in 1054-1 (02)	450 Secs (450 Secs) [==>]	[1]
	3	1054-1-606 W-2	(2) CL1054-1	ACS/WFC, ACCUM, WFCENTER	F606W	CR-SPLIT=NO; GAIN=2.0	POS TARG 0.2223,0 .018; LOW-SKY	Prime + Parallel Group 3-4 in 1054-1 (02)	670 Secs (670 Secs) [==>]	[1]
	4	par1054-1-6 06W-2	ANY	WFC3/UVIS, ACCUM, UVIS-CENTER	F606W	CR-SPLIT=NO		Prime + Parallel Group 3-4 in 1054-1 (02)	700 Secs (700 Secs) [==>]	[1]
	5	1054-1-606 W-3	(2) CL1054-1	ACS/WFC, ACCUM, WFCENTER	F606W	CR-SPLIT=NO; GAIN=2.0	POS TARG 0.1729,0 .2363; LOW-SKY	Prime + Parallel Group 5-6 in 1054-1 (02)	670 Secs (670 Secs) [==>]	[1]
	6	par1054-1-6 06W-3	ANY	WFC3/UVIS, ACCUM, UVIS-CENTER	F606W	CR-SPLIT=NO		Prime + Parallel Group 5-6 in 1054-1 (02)	700 Secs (700 Secs) [==>]	[1]
	7	1054-1-606 W-4	(2) CL1054-1	ACS/WFC, ACCUM, WFCENTER	F606W	CR-SPLIT=NO; GAIN=2.0	POS TARG 0.0,0.17 29; LOW-SKY	Prime + Parallel Group 7-8 in 1054-1 (02)	370 Secs (370 Secs) [==>]	[1]
	8	par1054-1-6 06W-4	ANY	WFC3/UVIS, ACCUM, UVIS-CENTER	F606W	CR-SPLIT=NO		Prime + Parallel Group 7-8 in 1054-1 (02)	450 Secs (450 Secs) [==>]	[1]
	9	1054-1-814 W-1	(2) CL1054-1	ACS/WFC, ACCUM, WFCENTER	F814W	CR-SPLIT=NO; GAIN=2.0	POS TARG -0.1976, -0.016; LOW-SKY	Prime + Parallel Group 9-10 in 1054-1 (02)	390 Secs (390 Secs) [==>]	[2]
	10	par1054-1-8 14W-1	ANY	WFC3/UVIS, ACCUM, UVIS-CENTER	F814W	CR-SPLIT=NO		Prime + Parallel Group 9-10 in 1054-1 (02)	450 Secs (450 Secs) [==>]	[2]
	11	1054-1-814 W-2	(2) CL1054-1	ACS/WFC, ACCUM, WFCENTER	F814W	CR-SPLIT=NO; GAIN=2.0	POS TARG 0.2223,0 .018; LOW-SKY	Prime + Parallel Group 11-12 in 1054-1 (02)	670 Secs (670 Secs) [==>]	[2]
	12	par1054-1-8 14W-2	ANY	WFC3/UVIS, ACCUM, UVIS-CENTER	F814W	CR-SPLIT=NO		Prime + Parallel Group 11-12 in 1054-1 (02)	700 Secs (700 Secs) [==>]	[2]
	13	1054-1-814 W-3	(2) CL1054-1	ACS/WFC, ACCUM, WFCENTER	F814W	CR-SPLIT=NO; GAIN=2.0	POS TARG 0.1729,0 .2363; LOW-SKY	Prime + Parallel Group 13-14 in 1054-1 (02)	670 Secs (670 Secs) [==>]	[2]
	14	par1054-1-8 14W-3	ANY	WFC3/UVIS, ACCUM, UVIS-CENTER	F814W	CR-SPLIT=NO		Prime + Parallel Group 13-14 in 1054-1 (02)	700 Secs (700 Secs) [==>]	[2]
	15	1054-1-814 W-4	(2) CL1054-1	ACS/WFC, ACCUM, WFCENTER	F814W	CR-SPLIT=NO; GAIN=2.0	POS TARG 0.0,0.17 29; LOW-SKY	Prime + Parallel Group 15-16 in 1054-1 (02)	380 Secs (380 Secs) [==>]	[2]
	16	par1054-1-8 14W-4	ANY	WFC3/UVIS, ACCUM, UVIS-CENTER	F814W	CR-SPLIT=NO		Prime + Parallel Group 15-16 in 1054-1 (02)	450 Secs (450 Secs) [==>]	[2]

Orbit 1



Orbit Structure



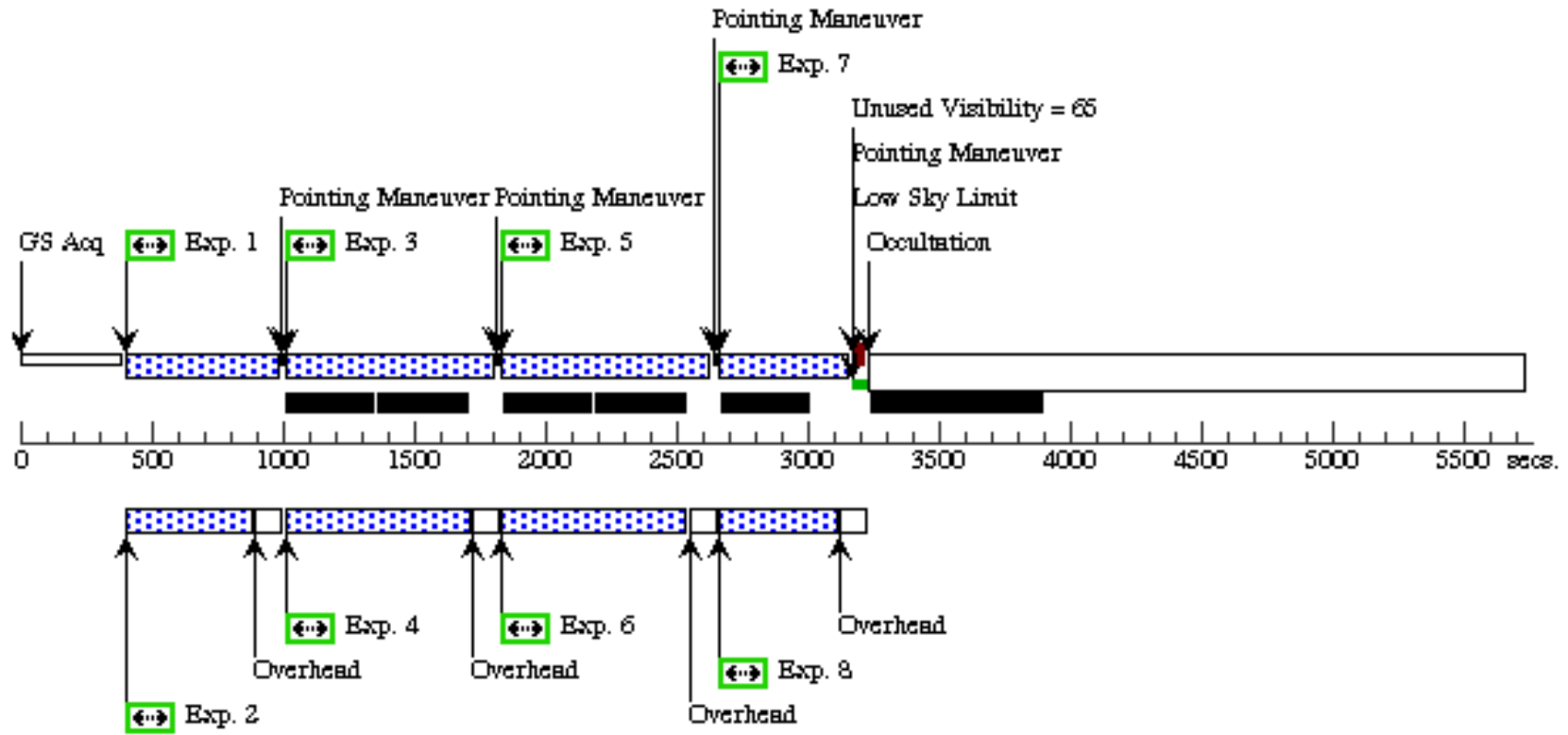
Proposal 13393 - 1059-1 (03) - Galaxy Transformation in the Infall Regions of Clusters

Visit	Proposal 13393, 1059-1 (03), implementation Sat Jun 15 01:31:58 GMT 2013					
	Diagnostic Status: No Diagnostics Scientific Instruments: WFC3/UVIS, ACS/WFC Special Requirements: (none)					
Fixed Targets	#	Name	Target Coordinates	Targ. Coord. Corrections	Fluxes	Miscellaneous
	(3)	CL1059-1	RA: 10 59 12.0000 (164.8000000d) Dec: -12 57 0.00 (-12.95000d) Equinox: J2000	Redshift: 0.46	V=22+/-1	Reference Frame: ICRS

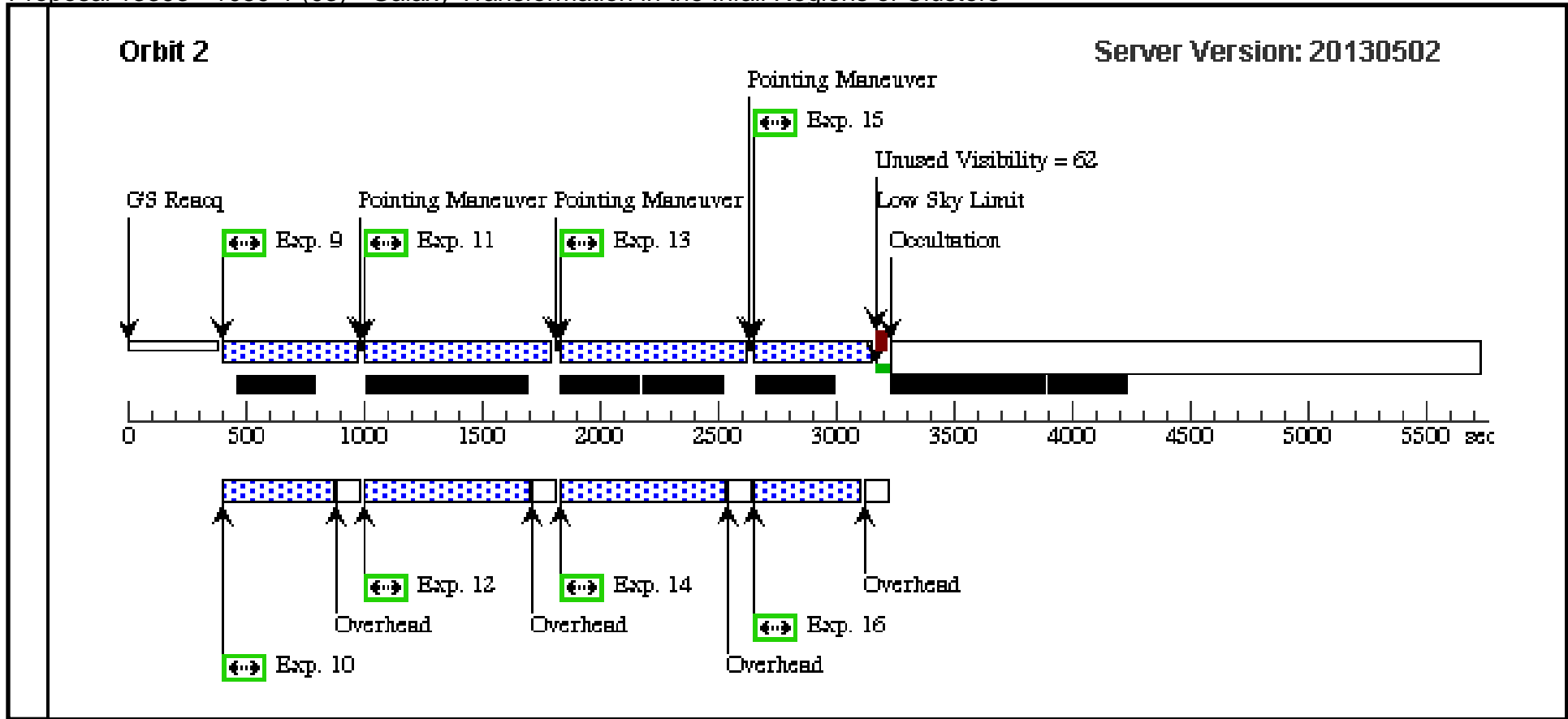
Proposal 13393 - 1059-1 (03) - Galaxy Transformation in the Infall Regions of Clusters

Exposures	#	Label	Target	Config,Mode,Aperture	Spectral Els.	Opt. Params.	Special Reqs.	Groups	Exp. Time (Total)/[Actual Dur.]	Orbit
	1	1059-1-606 W-1	(3) CL1059-1	ACS/WFC, ACCUM, WFCENTER	F606W	CR-SPLIT=NO; GAIN=2.0	POS TARG -0.1976, -0.016; LOW-SKY	Prime + Parallel Group 1-2 in 1059-1 (03)	370 Secs (370 Secs) [==>]	[1]
	2	par1059-1-6 06W-1	ANY	WFC3/UVIS, ACCUM, UVIS-CENTER	F606W	CR-SPLIT=NO		Prime + Parallel Group 1-2 in 1059-1 (03)	450 Secs (450 Secs) [==>]	[1]
	3	1059-1-606 W-2	(3) CL1059-1	ACS/WFC, ACCUM, WFCENTER	F606W	CR-SPLIT=NO; GAIN=2.0	POS TARG 0.2223,0 .018; LOW-SKY	Prime + Parallel Group 3-4 in 1059-1 (03)	670 Secs (670 Secs) [==>]	[1]
	4	par1059-1-6 06W-2	ANY	WFC3/UVIS, ACCUM, UVIS-CENTER	F606W	CR-SPLIT=NO		Prime + Parallel Group 3-4 in 1059-1 (03)	700 Secs (700 Secs) [==>]	[1]
	5	1059-1-606 W-3	(3) CL1059-1	ACS/WFC, ACCUM, WFCENTER	F606W	CR-SPLIT=NO; GAIN=2.0	POS TARG 0.1729,0 .2363; LOW-SKY	Prime + Parallel Group 5-6 in 1059-1 (03)	670 Secs (670 Secs) [==>]	[1]
	6	par1059-1-6 06W-3	ANY	WFC3/UVIS, ACCUM, UVIS-CENTER	F606W	CR-SPLIT=NO		Prime + Parallel Group 5-6 in 1059-1 (03)	700 Secs (700 Secs) [==>]	[1]
	7	1059-1-606 W-4	(3) CL1059-1	ACS/WFC, ACCUM, WFCENTER	F606W	CR-SPLIT=NO; GAIN=2.0	POS TARG 0.0,0.17 29; LOW-SKY	Prime + Parallel Group 7-8 in 1059-1 (03)	370 Secs (370 Secs) [==>]	[1]
	8	par1059-1-6 06W-4	ANY	WFC3/UVIS, ACCUM, UVIS-CENTER	F606W	CR-SPLIT=NO		Prime + Parallel Group 7-8 in 1059-1 (03)	450 Secs (450 Secs) [==>]	[1]
	9	1059-1-814 W-1	(3) CL1059-1	ACS/WFC, ACCUM, WFCENTER	F814W	CR-SPLIT=NO; GAIN=2.0	POS TARG -0.1976, -0.016; LOW-SKY	Prime + Parallel Group 9-10 in 1059-1 (03)	390 Secs (390 Secs) [==>]	[2]
	10	par1059-1-8 14W-1	ANY	WFC3/UVIS, ACCUM, UVIS-CENTER	F814W	CR-SPLIT=NO		Prime + Parallel Group 9-10 in 1059-1 (03)	450 Secs (450 Secs) [==>]	[2]
	11	1059-1-814 W-2	(3) CL1059-1	ACS/WFC, ACCUM, WFCENTER	F814W	CR-SPLIT=NO; GAIN=2.0	POS TARG 0.2223,0 .018; LOW-SKY	Prime + Parallel Group 11-12 in 1059-1 (03)	670 Secs (670 Secs) [==>]	[2]
	12	par1059-1-8 14W-2	ANY	WFC3/UVIS, ACCUM, UVIS-CENTER	F814W	CR-SPLIT=NO		Prime + Parallel Group 11-12 in 1059-1 (03)	700 Secs (700 Secs) [==>]	[2]
	13	1059-1-814 W-3	(3) CL1059-1	ACS/WFC, ACCUM, WFCENTER	F814W	CR-SPLIT=NO; GAIN=2.0	POS TARG 0.1729,0 .2363; LOW-SKY	Prime + Parallel Group 13-14 in 1059-1 (03)	670 Secs (670 Secs) [==>]	[2]
	14	par1059-1-8 14W-3	ANY	WFC3/UVIS, ACCUM, UVIS-CENTER	F814W	CR-SPLIT=NO		Prime + Parallel Group 13-14 in 1059-1 (03)	700 Secs (700 Secs) [==>]	[2]
	15	1059-1-814 W-4	(3) CL1059-1	ACS/WFC, ACCUM, WFCENTER	F814W	CR-SPLIT=NO; GAIN=2.0	POS TARG 0.0,0.17 29; LOW-SKY	Prime + Parallel Group 15-16 in 1059-1 (03)	380 Secs (380 Secs) [==>]	[2]
	16	par1059-1-8 14W-4	ANY	WFC3/UVIS, ACCUM, UVIS-CENTER	F814W	CR-SPLIT=NO		Prime + Parallel Group 15-16 in 1059-1 (03)	450 Secs (450 Secs) [==>]	[2]

Orbit 1



Orbit Structure



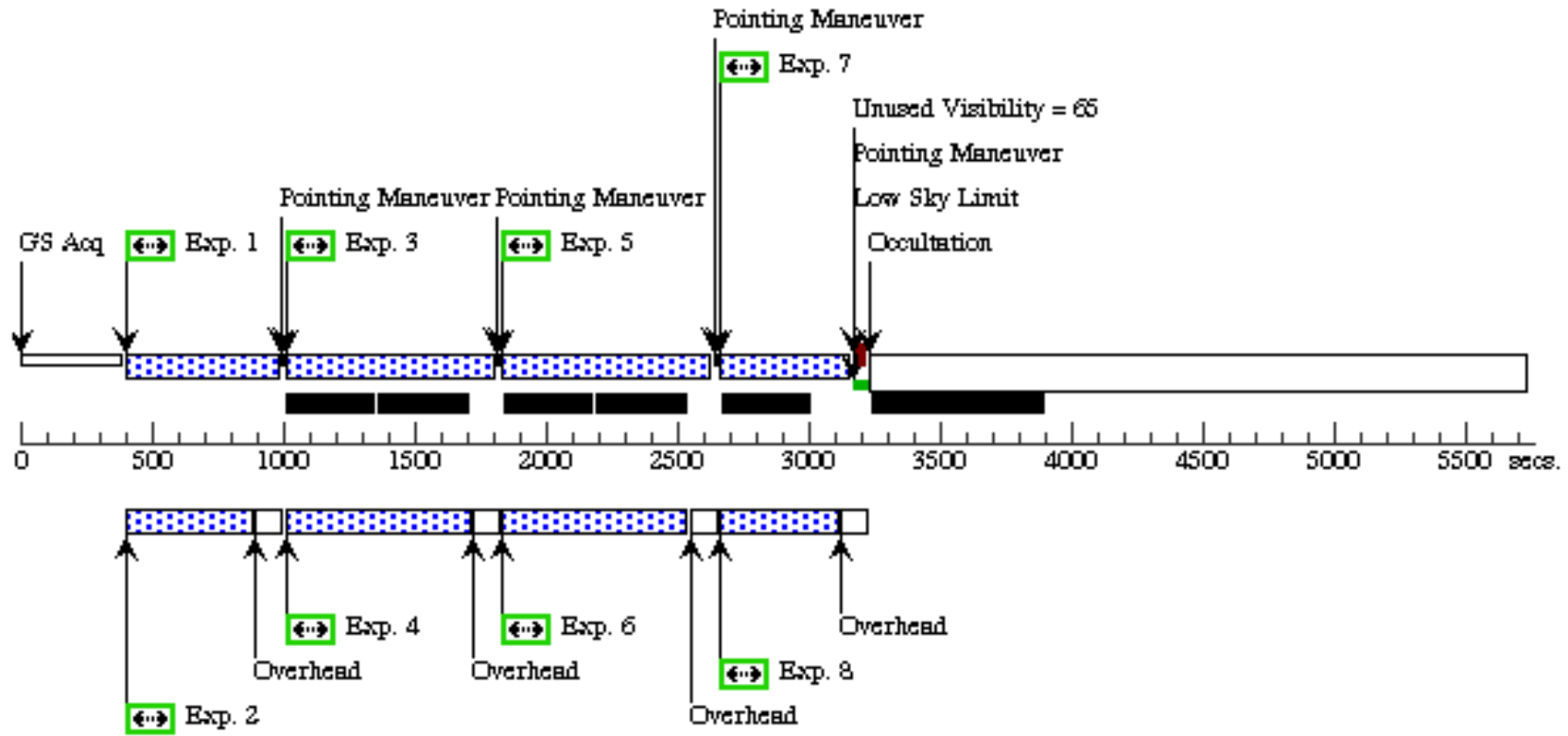
Proposal 13393 - 1059-2 (04) - Galaxy Transformation in the Infall Regions of Clusters

Visit	Proposal 13393, 1059-2 (04), implementation Sat Jun 15 01:32:00 GMT 2013 Diagnostic Status: No Diagnostics Scientific Instruments: WFC3/UVIS, ACS/WFC Special Requirements: (none)					
	Fixed Targets	#	Name	Target Coordinates	Targ. Coord. Corrections	Fluxes
	(4)	CL1059-2	RA: 10 59 34.8000 (164.8950000d) Dec: -12 52 12.00 (-12.87000d) Equinox: J2000	Redshift: 0.46	V=22+/-1	Reference Frame: ICRS

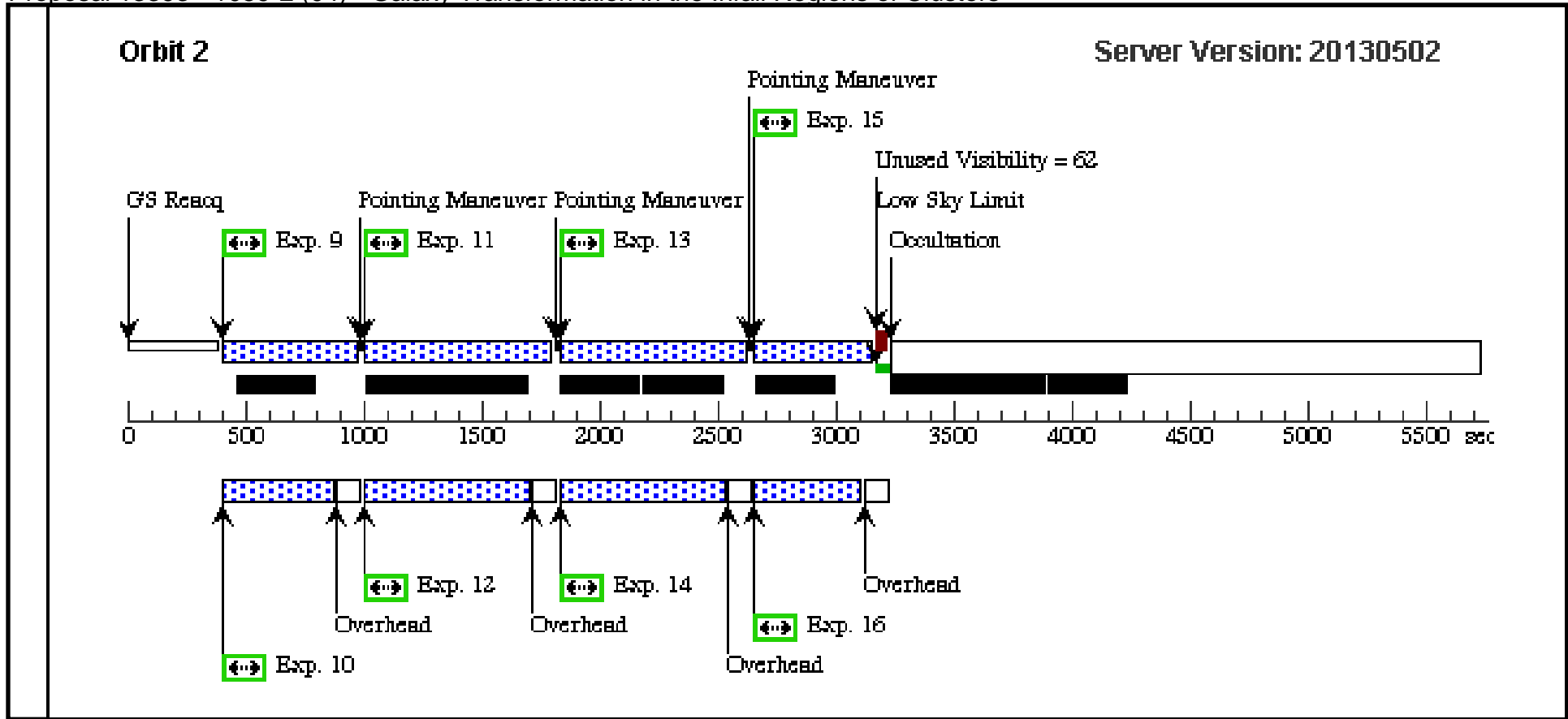
Proposal 13393 - 1059-2 (04) - Galaxy Transformation in the Infall Regions of Clusters

Exposures	#	Label	Target	Config,Mode,Aperture	Spectral Els.	Opt. Params.	Special Reqs.	Groups	Exp. Time (Total)/[Actual Dur.]	Orbit
	1	1059-2-606 W-1	(4) CL1059-2	ACS/WFC, ACCUM, WFCENTER	F606W	CR-SPLIT=NO; GAIN=2.0	POS TARG -0.1976, -0.016; LOW-SKY	Prime + Parallel Group 1-2 in 1059-2 (04)	370 Secs (370 Secs) [==>]	[1]
	2	par1059-2-6 06W-1	ANY	WFC3/UVIS, ACCUM, UVIS-CENTER	F606W	CR-SPLIT=NO		Prime + Parallel Group 1-2 in 1059-2 (04)	450 Secs (450 Secs) [==>]	[1]
	3	1059-2-606 W-2	(4) CL1059-2	ACS/WFC, ACCUM, WFCENTER	F606W	CR-SPLIT=NO; GAIN=2.0	POS TARG 0.2223,0 .018; LOW-SKY	Prime + Parallel Group 3-4 in 1059-2 (04)	670 Secs (670 Secs) [==>]	[1]
	4	par1059-2-6 06W-2	ANY	WFC3/UVIS, ACCUM, UVIS-CENTER	F606W	CR-SPLIT=NO		Prime + Parallel Group 3-4 in 1059-2 (04)	700 Secs (700 Secs) [==>]	[1]
	5	1059-2-606 W-3	(4) CL1059-2	ACS/WFC, ACCUM, WFCENTER	F606W	CR-SPLIT=NO; GAIN=2.0	POS TARG 0.1729,0 .2363; LOW-SKY	Prime + Parallel Group 5-6 in 1059-2 (04)	670 Secs (670 Secs) [==>]	[1]
	6	par1059-2-6 06W-3	ANY	WFC3/UVIS, ACCUM, UVIS-CENTER	F606W	CR-SPLIT=NO		Prime + Parallel Group 5-6 in 1059-2 (04)	700 Secs (700 Secs) [==>]	[1]
	7	1059-2-606 W-4	(4) CL1059-2	ACS/WFC, ACCUM, WFCENTER	F606W	CR-SPLIT=NO; GAIN=2.0	POS TARG 0.0,0.17 29; LOW-SKY	Prime + Parallel Group 7-8 in 1059-2 (04)	370 Secs (370 Secs) [==>]	[1]
	8	par1059-2-6 06W-4	ANY	WFC3/UVIS, ACCUM, UVIS-CENTER	F606W	CR-SPLIT=NO		Prime + Parallel Group 7-8 in 1059-2 (04)	450 Secs (450 Secs) [==>]	[1]
	9	1059-2-814 W-1	(4) CL1059-2	ACS/WFC, ACCUM, WFCENTER	F814W	CR-SPLIT=NO; GAIN=2.0	POS TARG -0.1976, -0.016; LOW-SKY	Prime + Parallel Group 9-10 in 1059-2 (04)	390 Secs (390 Secs) [==>]	[2]
	10	par1059-2-8 14W-1	ANY	WFC3/UVIS, ACCUM, UVIS-CENTER	F814W	CR-SPLIT=NO		Prime + Parallel Group 9-10 in 1059-2 (04)	450 Secs (450 Secs) [==>]	[2]
	11	1059-2-814 W-2	(4) CL1059-2	ACS/WFC, ACCUM, WFCENTER	F814W	CR-SPLIT=NO; GAIN=2.0	POS TARG 0.2223,0 .018; LOW-SKY	Prime + Parallel Group 11-12 in 1059-2 (04)	670 Secs (670 Secs) [==>]	[2]
	12	par1059-2-8 14W-2	ANY	WFC3/UVIS, ACCUM, UVIS-CENTER	F814W	CR-SPLIT=NO		Prime + Parallel Group 11-12 in 1059-2 (04)	700 Secs (700 Secs) [==>]	[2]
	13	1059-2-814 W-3	(4) CL1059-2	ACS/WFC, ACCUM, WFCENTER	F814W	CR-SPLIT=NO; GAIN=2.0	POS TARG 0.1729,0 .2363; LOW-SKY	Prime + Parallel Group 13-14 in 1059-2 (04)	670 Secs (670 Secs) [==>]	[2]
	14	par1059-2-8 14W-3	ANY	WFC3/UVIS, ACCUM, UVIS-CENTER	F814W	CR-SPLIT=NO		Prime + Parallel Group 13-14 in 1059-2 (04)	700 Secs (700 Secs) [==>]	[2]
	15	1059-2-814 W-4	(4) CL1059-2	ACS/WFC, ACCUM, WFCENTER	F814W	CR-SPLIT=NO; GAIN=2.0	POS TARG 0.0,0.17 29; LOW-SKY	Prime + Parallel Group 15-16 in 1059-2 (04)	380 Secs (380 Secs) [==>]	[2]
	16	par1059-2-8 14W-4	ANY	WFC3/UVIS, ACCUM, UVIS-CENTER	F814W	CR-SPLIT=NO		Prime + Parallel Group 15-16 in 1059-2 (04)	450 Secs (450 Secs) [==>]	[2]

Orbit 1



Orbit Structure



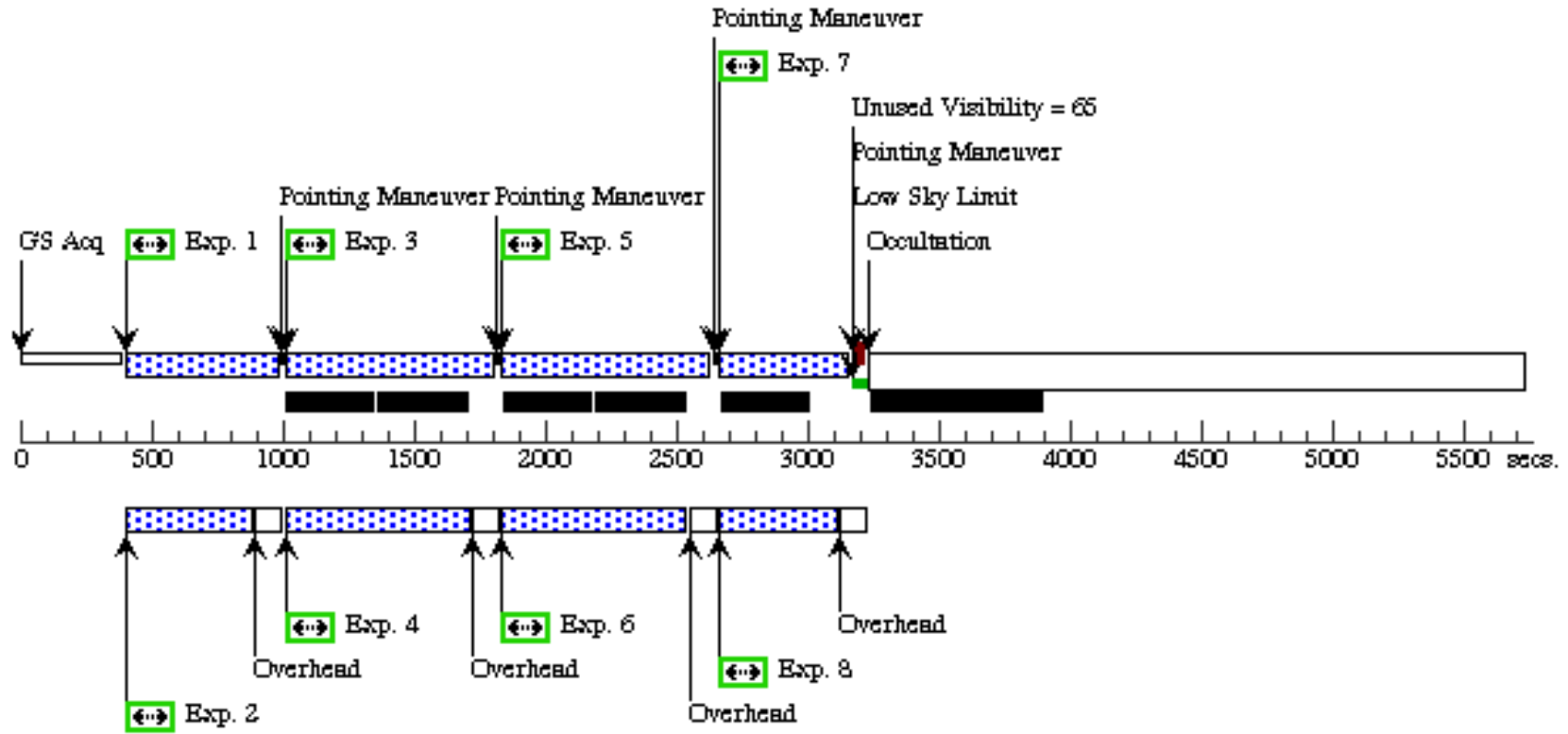
Proposal 13393 - 1138-1 (05) - Galaxy Transformation in the Infall Regions of Clusters

Visit	Proposal 13393, 1138-1 (05), implementation Sat Jun 15 01:32:03 GMT 2013 Diagnostic Status: No Diagnostics Scientific Instruments: WFC3/UVIS, ACS/WFC Special Requirements: (none)					
	Fixed Targets	#	Name	Target Coordinates	Targ. Coord. Corrections	Fluxes
	(5)	CL1138-1	RA: 11 37 48.0000 (174.4500000d) Dec: -11 30 0.00 (-11.50000d) Equinox: J2000	Redshift: 0.48	V=22+/-1	Reference Frame: ICRS

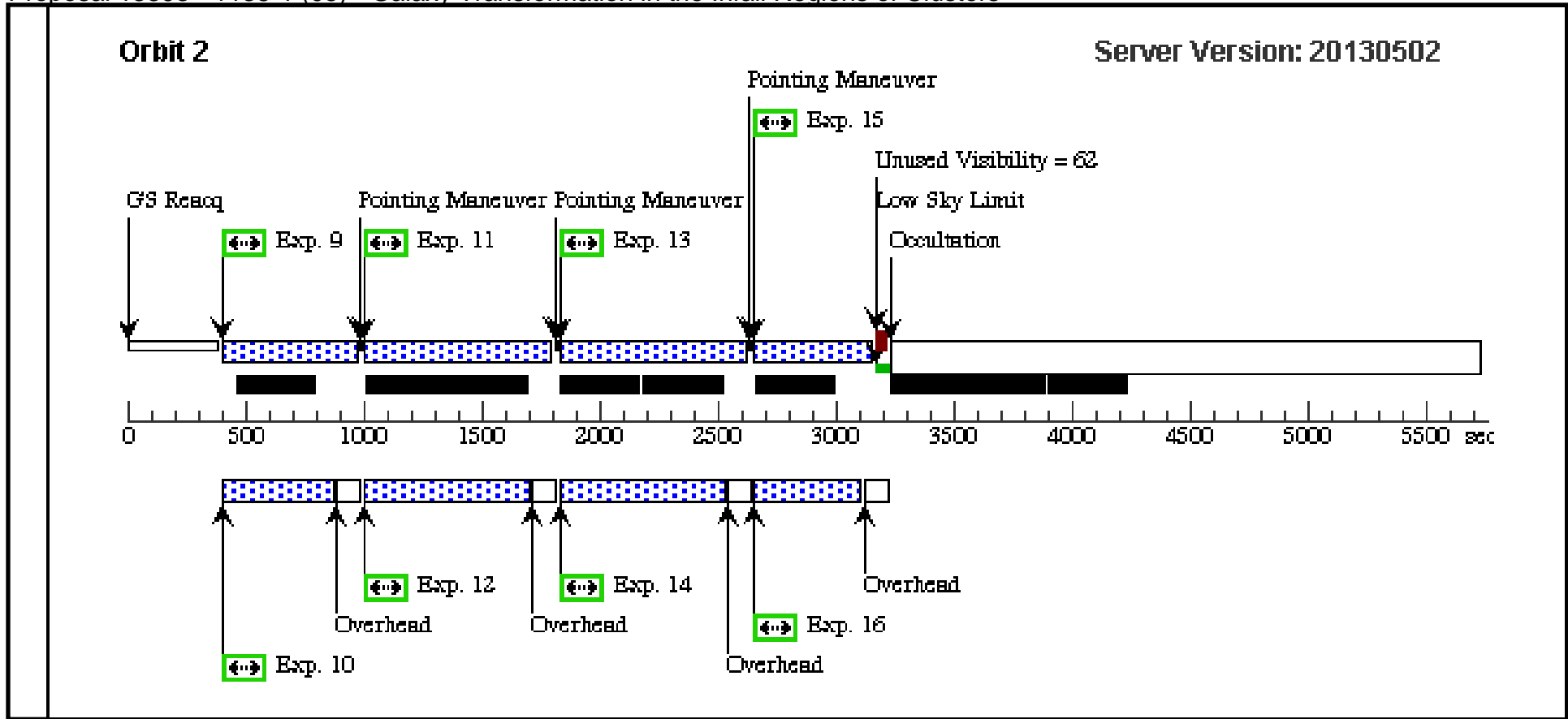
Proposal 13393 - 1138-1 (05) - Galaxy Transformation in the Infall Regions of Clusters

Exposures	#	Label	Target	Config,Mode,Aperture	Spectral Els.	Opt. Params.	Special Reqs.	Groups	Exp. Time (Total)/[Actual Dur.]	Orbit
	1	1138-1-606 W-1	(5) CL1138-1	ACS/WFC, ACCUM, WFCENTER	F606W	CR-SPLIT=NO; GAIN=2.0	POS TARG -0.1976, -0.016; LOW-SKY	Prime + Parallel Group 1-2 in 1138-1 (05)	370 Secs (370 Secs) [==>]	[1]
	2	par1138-1-6 06W-1	ANY	WFC3/UVIS, ACCUM, UVIS-CENTER	F606W	CR-SPLIT=NO		Prime + Parallel Group 1-2 in 1138-1 (05)	450 Secs (450 Secs) [==>]	[1]
	3	1138-1-606 W-2	(5) CL1138-1	ACS/WFC, ACCUM, WFCENTER	F606W	CR-SPLIT=NO; GAIN=2.0	POS TARG 0.2223,0 .018; LOW-SKY	Prime + Parallel Group 3-4 in 1138-1 (05)	670 Secs (670 Secs) [==>]	[1]
	4	par1138-1-6 06W-2	ANY	WFC3/UVIS, ACCUM, UVIS-CENTER	F606W	CR-SPLIT=NO		Prime + Parallel Group 3-4 in 1138-1 (05)	700 Secs (700 Secs) [==>]	[1]
	5	1138-1-606 W-3	(5) CL1138-1	ACS/WFC, ACCUM, WFCENTER	F606W	CR-SPLIT=NO; GAIN=2.0	POS TARG 0.1729,0 .2363; LOW-SKY	Prime + Parallel Group 5-6 in 1138-1 (05)	670 Secs (670 Secs) [==>]	[1]
	6	par1138-1-6 06W-3	ANY	WFC3/UVIS, ACCUM, UVIS-CENTER	F606W	CR-SPLIT=NO		Prime + Parallel Group 5-6 in 1138-1 (05)	700 Secs (700 Secs) [==>]	[1]
	7	1138-1-606 W-4	(5) CL1138-1	ACS/WFC, ACCUM, WFCENTER	F606W	CR-SPLIT=NO; GAIN=2.0	POS TARG 0.0,0.17 29; LOW-SKY	Prime + Parallel Group 7-8 in 1138-1 (05)	370 Secs (370 Secs) [==>]	[1]
	8	par1138-1-6 06W-4	ANY	WFC3/UVIS, ACCUM, UVIS-CENTER	F606W	CR-SPLIT=NO		Prime + Parallel Group 7-8 in 1138-1 (05)	450 Secs (450 Secs) [==>]	[1]
	9	1138-1-814 W-1	(5) CL1138-1	ACS/WFC, ACCUM, WFCENTER	F814W	CR-SPLIT=NO; GAIN=2.0	POS TARG -0.1976, -0.016; LOW-SKY	Prime + Parallel Group 9-10 in 1138-1 (05)	390 Secs (390 Secs) [==>]	[2]
	10	par1138-1-8 14W-1	ANY	WFC3/UVIS, ACCUM, UVIS-CENTER	F814W	CR-SPLIT=NO		Prime + Parallel Group 9-10 in 1138-1 (05)	450 Secs (450 Secs) [==>]	[2]
	11	1138-1-814 W-2	(5) CL1138-1	ACS/WFC, ACCUM, WFCENTER	F814W	CR-SPLIT=NO; GAIN=2.0	POS TARG 0.2223,0 .018; LOW-SKY	Prime + Parallel Group 11-12 in 1138-1 (05)	670 Secs (670 Secs) [==>]	[2]
	12	par1138-1-8 14W-2	ANY	WFC3/UVIS, ACCUM, UVIS-CENTER	F814W	CR-SPLIT=NO		Prime + Parallel Group 11-12 in 1138-1 (05)	700 Secs (700 Secs) [==>]	[2]
	13	1138-1-814 W-3	(5) CL1138-1	ACS/WFC, ACCUM, WFCENTER	F814W	CR-SPLIT=NO; GAIN=2.0	POS TARG 0.1729,0 .2363; LOW-SKY	Prime + Parallel Group 13-14 in 1138-1 (05)	670 Secs (670 Secs) [==>]	[2]
	14	par1138-1-8 14W-3	ANY	WFC3/UVIS, ACCUM, UVIS-CENTER	F814W	CR-SPLIT=NO		Prime + Parallel Group 13-14 in 1138-1 (05)	700 Secs (700 Secs) [==>]	[2]
	15	1138-1-814 W-4	(5) CL1138-1	ACS/WFC, ACCUM, WFCENTER	F814W	CR-SPLIT=NO; GAIN=2.0	POS TARG 0.0,0.17 29; LOW-SKY	Prime + Parallel Group 15-16 in 1138-1 (05)	380 Secs (380 Secs) [==>]	[2]
	16	par1138-1-8 14W-4	ANY	WFC3/UVIS, ACCUM, UVIS-CENTER	F814W	CR-SPLIT=NO		Prime + Parallel Group 15-16 in 1138-1 (05)	450 Secs (450 Secs) [==>]	[2]

Orbit 1



Orbit Structure



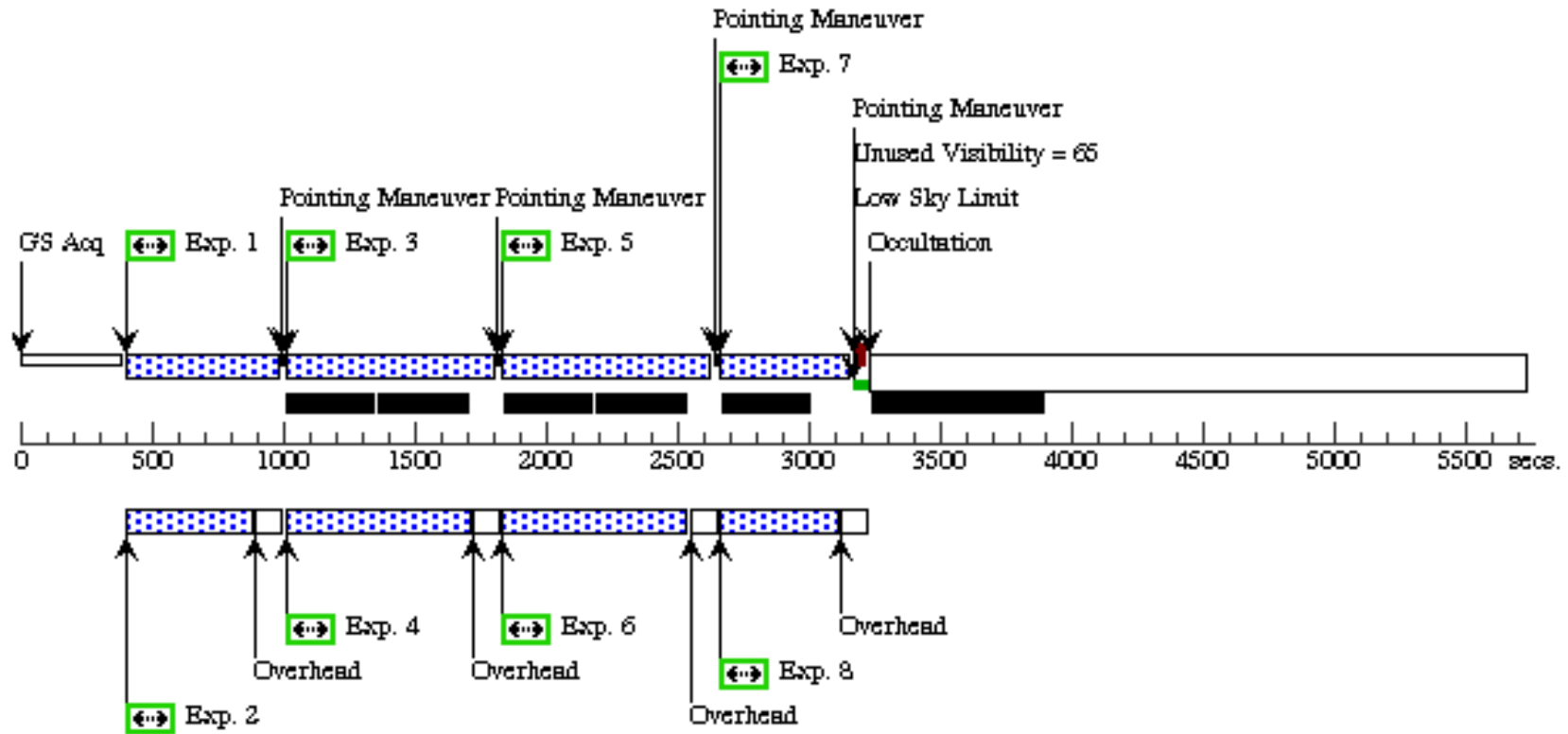
Proposal 13393 - 1138-2 (06) - Galaxy Transformation in the Infall Regions of Clusters

Visit	Proposal 13393, 1138-2 (06), implementation Sat Jun 15 01:32:05 GMT 2013 Diagnostic Status: No Diagnostics Scientific Instruments: WFC3/UVIS, ACS/WFC Special Requirements: (none)					
	Fixed Targets	#	Name	Target Coordinates	Targ. Coord. Corrections	Fluxes
(6)		CL1138-2	RA: 11 37 33.6000 (174.3900000d) Dec: -11 25 48.00 (-11.43000d) Equinox: J2000	Redshift: 0.48	V=22+/-1	Reference Frame: ICRS

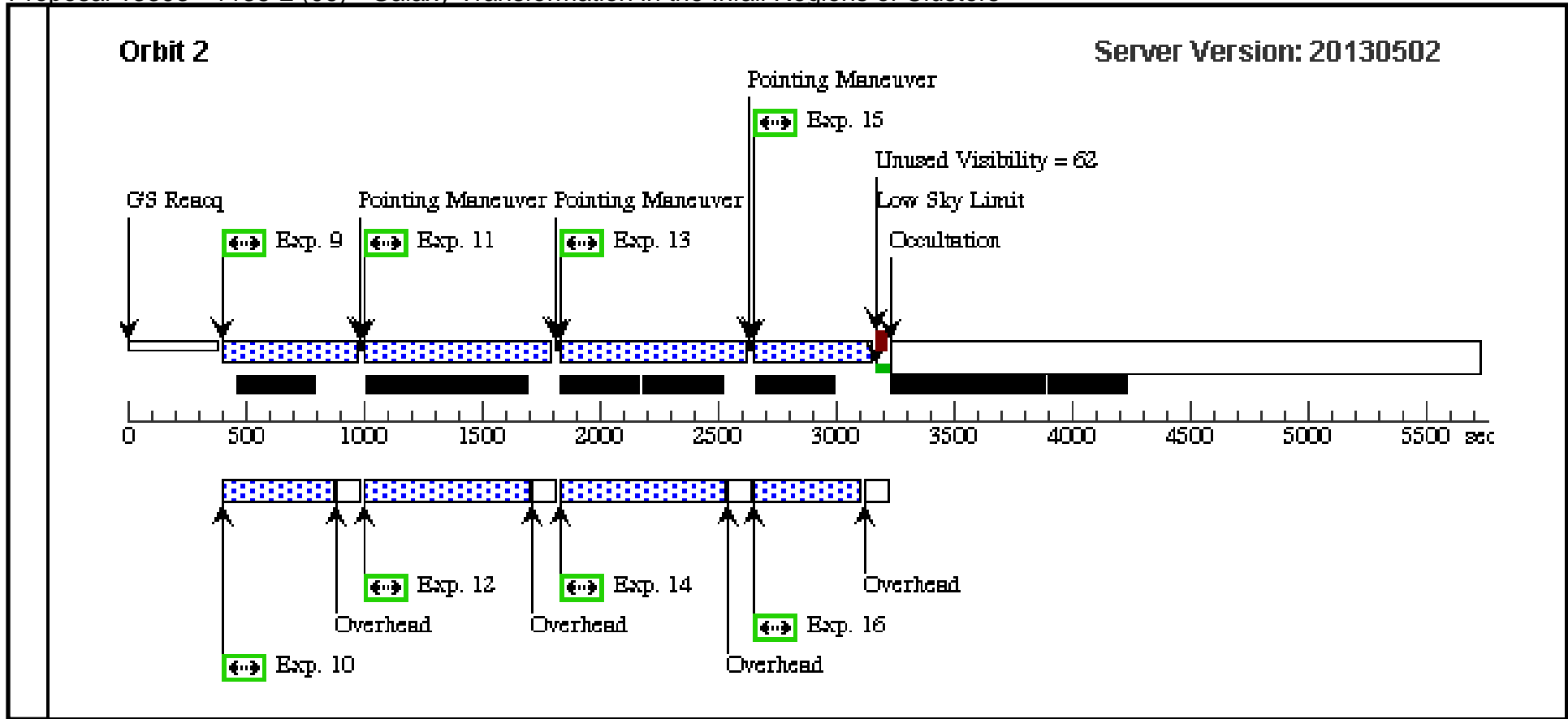
Proposal 13393 - 1138-2 (06) - Galaxy Transformation in the Infall Regions of Clusters

Exposures	#	Label	Target	Config,Mode,Aperture	Spectral Els.	Opt. Params.	Special Reqs.	Groups	Exp. Time (Total)/[Actual Dur.]	Orbit
	1	1138-2-606 W-1	(6) CL1138-2	ACS/WFC, ACCUM, WFCENTER	F606W	CR-SPLIT=NO; GAIN=2.0	POS TARG -0.1976, -0.016; LOW-SKY	Prime + Parallel Group 1-2 in 1138-2 (06)	370 Secs (370 Secs) [==>]	[1]
	2	par1138-2-6 06W-1	ANY	WFC3/UVIS, ACCUM, UVIS-CENTER	F606W	CR-SPLIT=NO		Prime + Parallel Group 1-2 in 1138-2 (06)	450 Secs (450 Secs) [==>]	[1]
	3	1138-2-606 W-2	(6) CL1138-2	ACS/WFC, ACCUM, WFCENTER	F606W	CR-SPLIT=NO; GAIN=2.0	POS TARG 0.2223,0 .018; LOW-SKY	Prime + Parallel Group 3-4 in 1138-2 (06)	670 Secs (670 Secs) [==>]	[1]
	4	par1138-2-6 06W-2	ANY	WFC3/UVIS, ACCUM, UVIS-CENTER	F606W	CR-SPLIT=NO		Prime + Parallel Group 3-4 in 1138-2 (06)	700 Secs (700 Secs) [==>]	[1]
	5	1138-2-606 W-3	(6) CL1138-2	ACS/WFC, ACCUM, WFCENTER	F606W	CR-SPLIT=NO; GAIN=2.0	POS TARG 0.1729,0 .2363; LOW-SKY	Prime + Parallel Group 5-6 in 1138-2 (06)	670 Secs (670 Secs) [==>]	[1]
	6	par1138-2-6 06W-3	ANY	WFC3/UVIS, ACCUM, UVIS-CENTER	F606W	CR-SPLIT=NO		Prime + Parallel Group 5-6 in 1138-2 (06)	700 Secs (700 Secs) [==>]	[1]
	7	1138-2-606 W-4	(6) CL1138-2	ACS/WFC, ACCUM, WFCENTER	F606W	CR-SPLIT=NO; GAIN=2.0	POS TARG 0.0,0.17 29; LOW-SKY	Prime + Parallel Group 7-8 in 1138-2 (06)	370 Secs (370 Secs) [==>]	[1]
	8	par1138-2-6 06W-4	ANY	WFC3/UVIS, ACCUM, UVIS-CENTER	F606W	CR-SPLIT=NO		Prime + Parallel Group 7-8 in 1138-2 (06)	450 Secs (450 Secs) [==>]	[1]
	9	1138-2-814 W-1	(6) CL1138-2	ACS/WFC, ACCUM, WFCENTER	F814W	CR-SPLIT=NO; GAIN=2.0	POS TARG -0.1976, -0.016; LOW-SKY	Prime + Parallel Group 9-10 in 1138-2 (06)	390 Secs (390 Secs) [==>]	[2]
	10	par1138-2-8 14W-1	ANY	WFC3/UVIS, ACCUM, UVIS-CENTER	F814W	CR-SPLIT=NO		Prime + Parallel Group 9-10 in 1138-2 (06)	450 Secs (450 Secs) [==>]	[2]
	11	1138-2-814 W-2	(6) CL1138-2	ACS/WFC, ACCUM, WFCENTER	F814W	CR-SPLIT=NO; GAIN=2.0	POS TARG 0.2223,0 .018; LOW-SKY	Prime + Parallel Group 11-12 in 1138-2 (06)	670 Secs (670 Secs) [==>]	[2]
	12	par1138-2-8 14W-2	ANY	WFC3/UVIS, ACCUM, UVIS-CENTER	F814W	CR-SPLIT=NO		Prime + Parallel Group 11-12 in 1138-2 (06)	700 Secs (700 Secs) [==>]	[2]
	13	1138-2-814 W-3	(6) CL1138-2	ACS/WFC, ACCUM, WFCENTER	F814W	CR-SPLIT=NO; GAIN=2.0	POS TARG 0.1729,0 .2363; LOW-SKY	Prime + Parallel Group 13-14 in 1138-2 (06)	670 Secs (670 Secs) [==>]	[2]
	14	par1138-2-8 14W-3	ANY	WFC3/UVIS, ACCUM, UVIS-CENTER	F814W	CR-SPLIT=NO		Prime + Parallel Group 13-14 in 1138-2 (06)	700 Secs (700 Secs) [==>]	[2]
	15	1138-2-814 W-4	(6) CL1138-2	ACS/WFC, ACCUM, WFCENTER	F814W	CR-SPLIT=NO; GAIN=2.0	POS TARG 0.0,0.17 29; LOW-SKY	Prime + Parallel Group 15-16 in 1138-2 (06)	380 Secs (380 Secs) [==>]	[2]
	16	par1138-2-8 14W-4	ANY	WFC3/UVIS, ACCUM, UVIS-CENTER	F814W	CR-SPLIT=NO		Prime + Parallel Group 15-16 in 1138-2 (06)	450 Secs (450 Secs) [==>]	[2]

Orbit 1



Orbit Structure



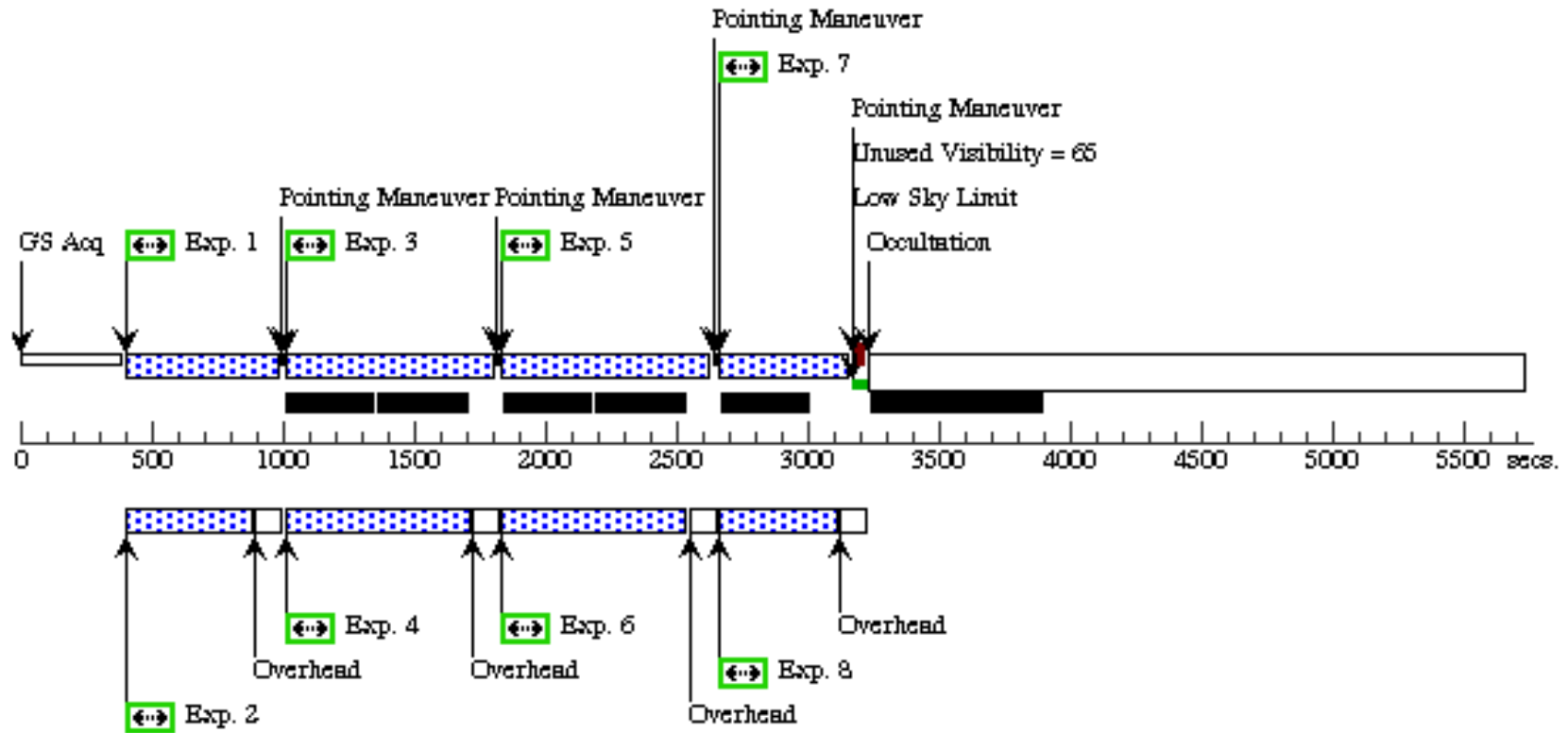
Proposal 13393 - 1216-1 (07) - Galaxy Transformation in the Infall Regions of Clusters

Visit	Proposal 13393, 1216-1 (07), implementation Sat Jun 15 01:32:07 GMT 2013 Diagnostic Status: No Diagnostics Scientific Instruments: WFC3/UVIS, ACS/WFC Special Requirements: (none)					
	Fixed Targets	#	Name	Target Coordinates	Targ. Coord. Corrections	Fluxes
(7)		CL1216-1	RA: 12 16 50.4000 (184.2100000d) Dec: -12 09 36.00 (-12.16000d) Equinox: J2000	Redshift: 0.79	V=22+/-1	Reference Frame: ICRS

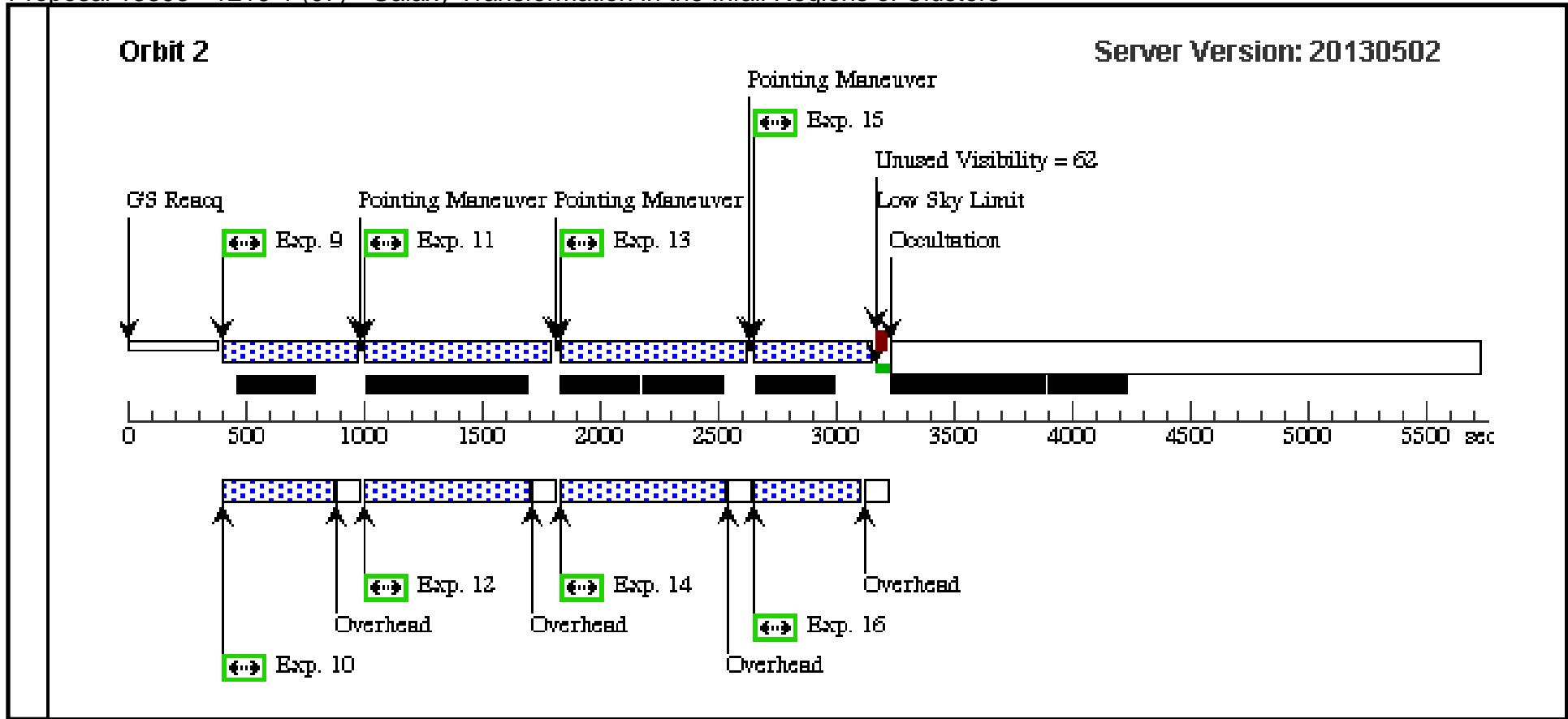
Proposal 13393 - 1216-1 (07) - Galaxy Transformation in the Infall Regions of Clusters

Exposures	#	Label	Target	Config,Mode,Aperture	Spectral Els.	Opt. Params.	Special Reqs.	Groups	Exp. Time (Total)/[Actual Dur.]	Orbit
	1	1216-1-606 W-1	(7) CL1216-1	ACS/WFC, ACCUM, WFCENTER	F606W	CR-SPLIT=NO; GAIN=2.0	POS TARG -0.1976, -0.016; LOW-SKY	Prime + Parallel Group 1-2 in 1216-1 (07)	370 Secs (370 Secs) [==>]	[1]
	2	par1216-1-6 06W-1	ANY	WFC3/UVIS, ACCUM, UVIS-CENTER	F606W	CR-SPLIT=NO		Prime + Parallel Group 1-2 in 1216-1 (07)	450 Secs (450 Secs) [==>]	[1]
	3	1216-1-606 W-2	(7) CL1216-1	ACS/WFC, ACCUM, WFCENTER	F606W	CR-SPLIT=NO; GAIN=2.0	POS TARG 0.2223,0 .018; LOW-SKY	Prime + Parallel Group 3-4 in 1216-1 (07)	670 Secs (670 Secs) [==>]	[1]
	4	par1216-1-6 06W-2	ANY	WFC3/UVIS, ACCUM, UVIS-CENTER	F606W	CR-SPLIT=NO		Prime + Parallel Group 3-4 in 1216-1 (07)	700 Secs (700 Secs) [==>]	[1]
	5	1216-1-606 W-3	(7) CL1216-1	ACS/WFC, ACCUM, WFCENTER	F606W	CR-SPLIT=NO; GAIN=2.0	POS TARG 0.1729,0 .2363; LOW-SKY	Prime + Parallel Group 5-6 in 1216-1 (07)	670 Secs (670 Secs) [==>]	[1]
	6	par1216-1-6 06W-3	ANY	WFC3/UVIS, ACCUM, UVIS-CENTER	F606W	CR-SPLIT=NO		Prime + Parallel Group 5-6 in 1216-1 (07)	700 Secs (700 Secs) [==>]	[1]
	7	1216-1-606 W-4	(7) CL1216-1	ACS/WFC, ACCUM, WFCENTER	F606W	CR-SPLIT=NO; GAIN=2.0	POS TARG 0.0,0.17 29; LOW-SKY	Prime + Parallel Group 7-8 in 1216-1 (07)	370 Secs (370 Secs) [==>]	[1]
	8	par1216-1-6 06W-4	ANY	WFC3/UVIS, ACCUM, UVIS-CENTER	F606W	CR-SPLIT=NO		Prime + Parallel Group 7-8 in 1216-1 (07)	450 Secs (450 Secs) [==>]	[1]
	9	1216-1-814 W-1	(7) CL1216-1	ACS/WFC, ACCUM, WFCENTER	F814W	CR-SPLIT=NO; GAIN=2.0	POS TARG -0.1976, -0.016; LOW-SKY	Prime + Parallel Group 9-10 in 1216-1 (07)	390 Secs (390 Secs) [==>]	[2]
	10	par1216-1-8 14W-1	ANY	WFC3/UVIS, ACCUM, UVIS-CENTER	F814W	CR-SPLIT=NO		Prime + Parallel Group 9-10 in 1216-1 (07)	450 Secs (450 Secs) [==>]	[2]
	11	1216-1-814 W-2	(7) CL1216-1	ACS/WFC, ACCUM, WFCENTER	F814W	CR-SPLIT=NO; GAIN=2.0	POS TARG 0.2223,0 .018; LOW-SKY	Prime + Parallel Group 11-12 in 1216-1 (07)	670 Secs (670 Secs) [==>]	[2]
	12	par1216-1-8 14W-2	ANY	WFC3/UVIS, ACCUM, UVIS-CENTER	F814W	CR-SPLIT=NO		Prime + Parallel Group 11-12 in 1216-1 (07)	700 Secs (700 Secs) [==>]	[2]
	13	1216-1-814 W-3	(7) CL1216-1	ACS/WFC, ACCUM, WFCENTER	F814W	CR-SPLIT=NO; GAIN=2.0	POS TARG 0.1729,0 .2363; LOW-SKY	Prime + Parallel Group 13-14 in 1216-1 (07)	670 Secs (670 Secs) [==>]	[2]
	14	par1216-1-8 14W-3	ANY	WFC3/UVIS, ACCUM, UVIS-CENTER	F814W	CR-SPLIT=NO		Prime + Parallel Group 13-14 in 1216-1 (07)	700 Secs (700 Secs) [==>]	[2]
	15	1216-1-814 W-4	(7) CL1216-1	ACS/WFC, ACCUM, WFCENTER	F814W	CR-SPLIT=NO; GAIN=2.0	POS TARG 0.0,0.17 29; LOW-SKY	Prime + Parallel Group 15-16 in 1216-1 (07)	380 Secs (380 Secs) [==>]	[2]
	16	par1216-1-8 14W-4	ANY	WFC3/UVIS, ACCUM, UVIS-CENTER	F814W	CR-SPLIT=NO		Prime + Parallel Group 15-16 in 1216-1 (07)	450 Secs (450 Secs) [==>]	[2]

Orbit 1



Orbit Structure



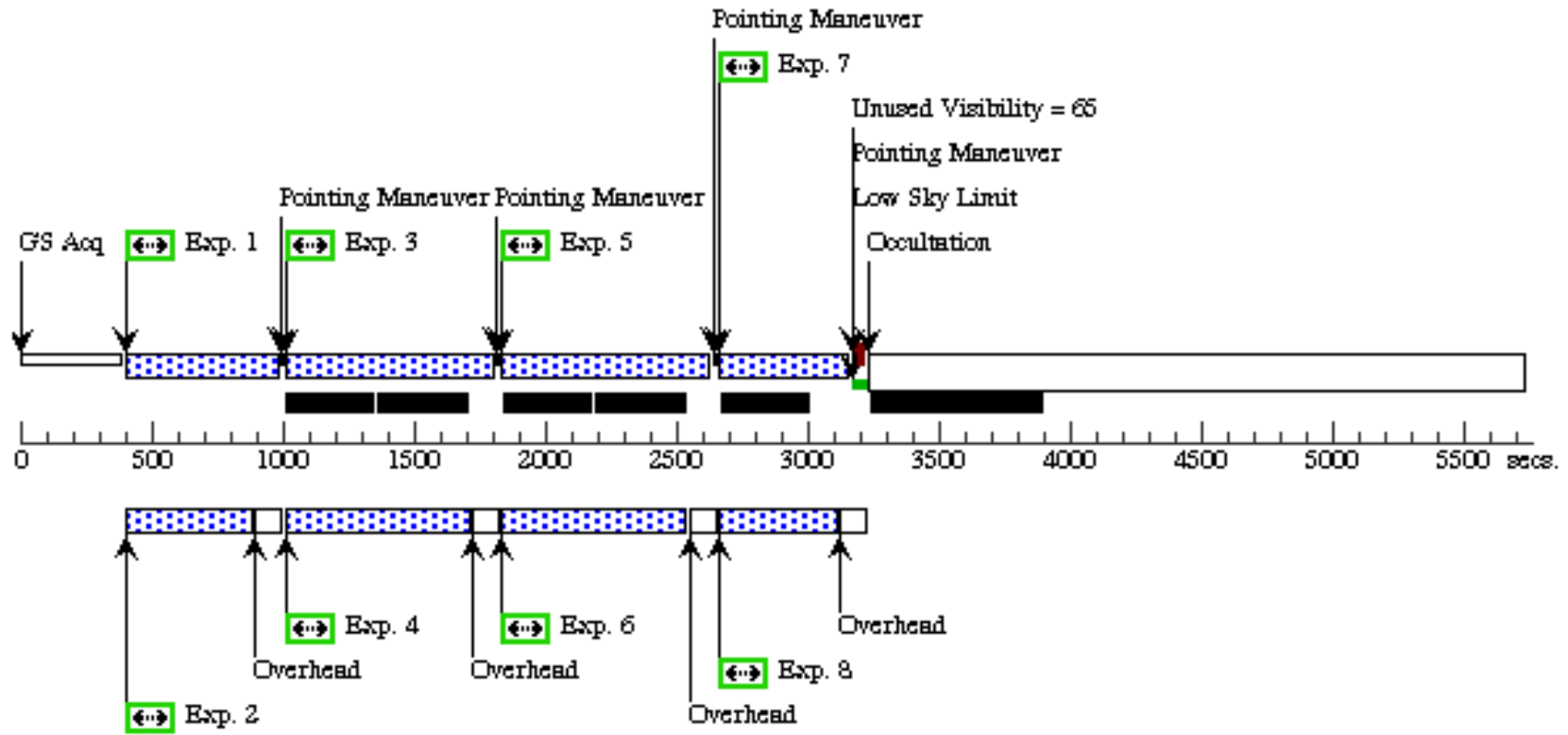
Proposal 13393 - 1216-2 (08) - Galaxy Transformation in the Infall Regions of Clusters

Visit	Proposal 13393, 1216-2 (08), implementation Sat Jun 15 01:32:09 GMT 2013 Diagnostic Status: No Diagnostics Scientific Instruments: WFC3/UVIS, ACS/WFC Special Requirements: (none)					
	Fixed Targets	#	Name	Target Coordinates	Targ. Coord. Corrections	Fluxes
(8)		CL1216-2	RA: 12 17 15.6000 (184.3150000d) Dec: -12 08 6.00 (-12.13500d) Equinox: J2000	Redshift: 0.79	V=22+/-1	Reference Frame: ICRS

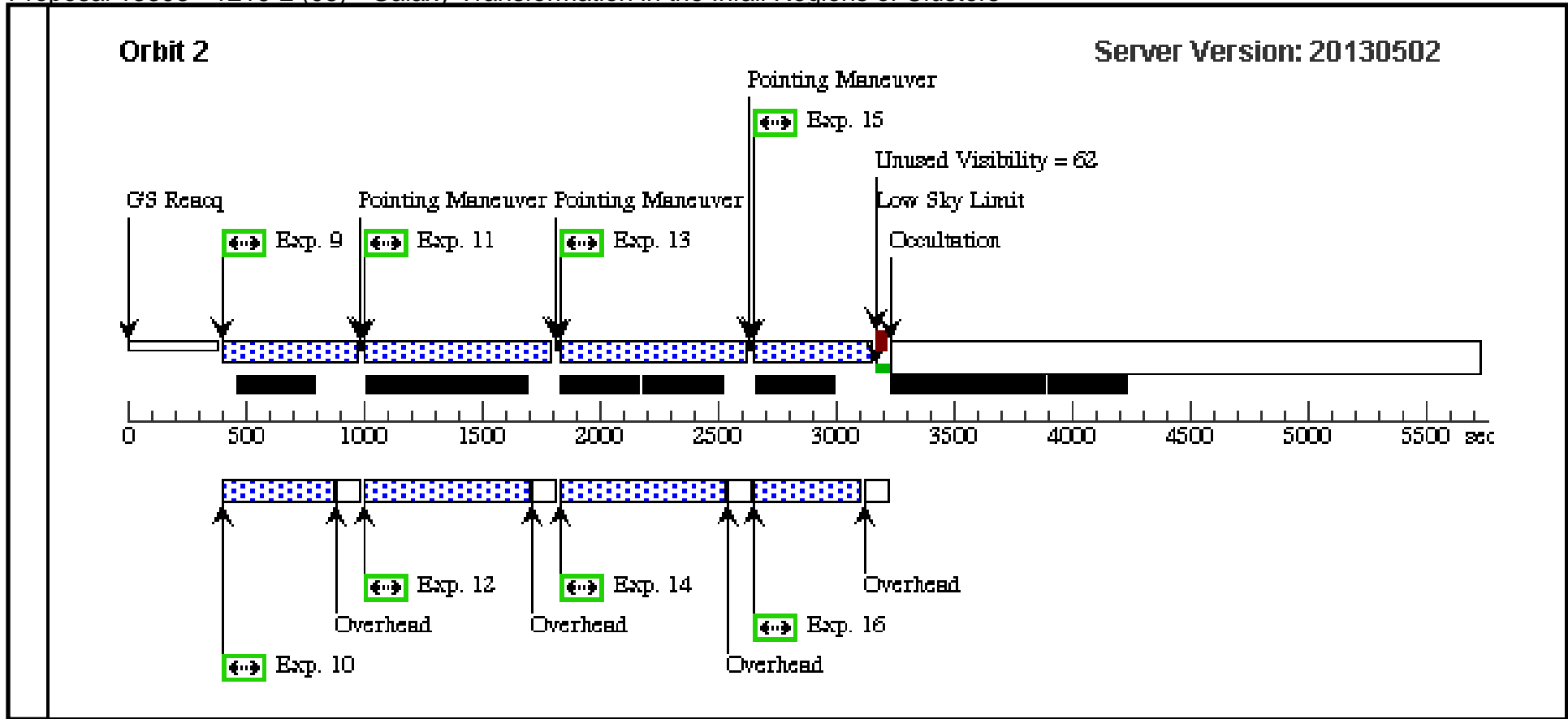
Proposal 13393 - 1216-2 (08) - Galaxy Transformation in the Infall Regions of Clusters

Exposures	#	Label	Target	Config,Mode,Aperture	Spectral Els.	Opt. Params.	Special Reqs.	Groups	Exp. Time (Total)/[Actual Dur.]	Orbit
	1	1216-2-606 W-1	(8) CL1216-2	ACS/WFC, ACCUM, WFCENTER	F606W	CR-SPLIT=NO; GAIN=2.0	POS TARG -0.1976, -0.016; LOW-SKY; GS ACQ SCENARI O BASE1B3	Prime + Parallel Gro up 1-2 in 1216-2 (08)	370 Secs (370 Secs) [==>]	[1]
	2	par1216-2-6 06W-1	ANY	WFC3/UVIS, ACCUM, UVIS-CENTER	F606W	CR-SPLIT=NO		Prime + Parallel Gro up 1-2 in 1216-2 (08)	450 Secs (450 Secs) [==>]	[1]
	3	1216-2-606 W-2	(8) CL1216-2	ACS/WFC, ACCUM, WFCENTER	F606W	CR-SPLIT=NO; GAIN=2.0	POS TARG 0.2223,0 .018; LOW-SKY	Prime + Parallel Gro up 3-4 in 1216-2 (08)	670 Secs (670 Secs) [==>]	[1]
	4	par1216-2-6 06W-2	ANY	WFC3/UVIS, ACCUM, UVIS-CENTER	F606W	CR-SPLIT=NO		Prime + Parallel Gro up 3-4 in 1216-2 (08)	700 Secs (700 Secs) [==>]	[1]
	5	1216-2-606 W-3	(8) CL1216-2	ACS/WFC, ACCUM, WFCENTER	F606W	CR-SPLIT=NO; GAIN=2.0	POS TARG 0.1729,0 .2363; LOW-SKY	Prime + Parallel Gro up 5-6 in 1216-2 (08)	670 Secs (670 Secs) [==>]	[1]
	6	par1216-2-6 06W-3	ANY	WFC3/UVIS, ACCUM, UVIS-CENTER	F606W	CR-SPLIT=NO		Prime + Parallel Gro up 5-6 in 1216-2 (08)	700 Secs (700 Secs) [==>]	[1]
	7	1216-2-606 W-4	(8) CL1216-2	ACS/WFC, ACCUM, WFCENTER	F606W	CR-SPLIT=NO; GAIN=2.0	POS TARG 0.0,0.17 29; LOW-SKY	Prime + Parallel Gro up 7-8 in 1216-2 (08)	370 Secs (370 Secs) [==>]	[1]
	8	par1216-2-6 06W-4	ANY	WFC3/UVIS, ACCUM, UVIS-CENTER	F606W	CR-SPLIT=NO		Prime + Parallel Gro up 7-8 in 1216-2 (08)	450 Secs (450 Secs) [==>]	[1]
	9	1216-2-814 W-1	(8) CL1216-2	ACS/WFC, ACCUM, WFCENTER	F814W	CR-SPLIT=NO; GAIN=2.0	POS TARG -0.1976, -0.016; LOW-SKY	Prime + Parallel Gro up 9-10 in 1216-2 (0 8)	390 Secs (390 Secs) [==>]	[2]
	10	par1216-2-8 14W-1	ANY	WFC3/UVIS, ACCUM, UVIS-CENTER	F814W	CR-SPLIT=NO		Prime + Parallel Gro up 9-10 in 1216-2 (0 8)	450 Secs (450 Secs) [==>]	[2]
	11	1216-2-814 W-2	(8) CL1216-2	ACS/WFC, ACCUM, WFCENTER	F814W	CR-SPLIT=NO; GAIN=2.0	POS TARG 0.2223,0 .018; LOW-SKY	Prime + Parallel Gro up 11-12 in 1216-2 (0 8)	670 Secs (670 Secs) [==>]	[2]
	12	par1216-2-8 14W-2	ANY	WFC3/UVIS, ACCUM, UVIS-CENTER	F814W	CR-SPLIT=NO		Prime + Parallel Gro up 11-12 in 1216-2 (0 8)	700 Secs (700 Secs) [==>]	[2]
	13	1216-2-814 W-3	(8) CL1216-2	ACS/WFC, ACCUM, WFCENTER	F814W	CR-SPLIT=NO; GAIN=2.0	POS TARG 0.1729,0 .2363; LOW-SKY	Prime + Parallel Gro up 13-14 in 1216-2 (0 8)	670 Secs (670 Secs) [==>]	[2]
	14	par1216-2-8 14W-3	ANY	WFC3/UVIS, ACCUM, UVIS-CENTER	F814W	CR-SPLIT=NO		Prime + Parallel Gro up 13-14 in 1216-2 (0 8)	700 Secs (700 Secs) [==>]	[2]
	15	1216-2-814 W-4	(8) CL1216-2	ACS/WFC, ACCUM, WFCENTER	F814W	CR-SPLIT=NO; GAIN=2.0	POS TARG 0.0,0.17 29; LOW-SKY	Prime + Parallel Gro up 15-16 in 1216-2 (0 8)	380 Secs (380 Secs) [==>]	[2]
16	par1216-2-8 14W-4	ANY	WFC3/UVIS, ACCUM, UVIS-CENTER	F814W	CR-SPLIT=NO		Prime + Parallel Gro up 15-16 in 1216-2 (0 8)	450 Secs (450 Secs) [==>]	[2]	

Orbit 1



Orbit Structure



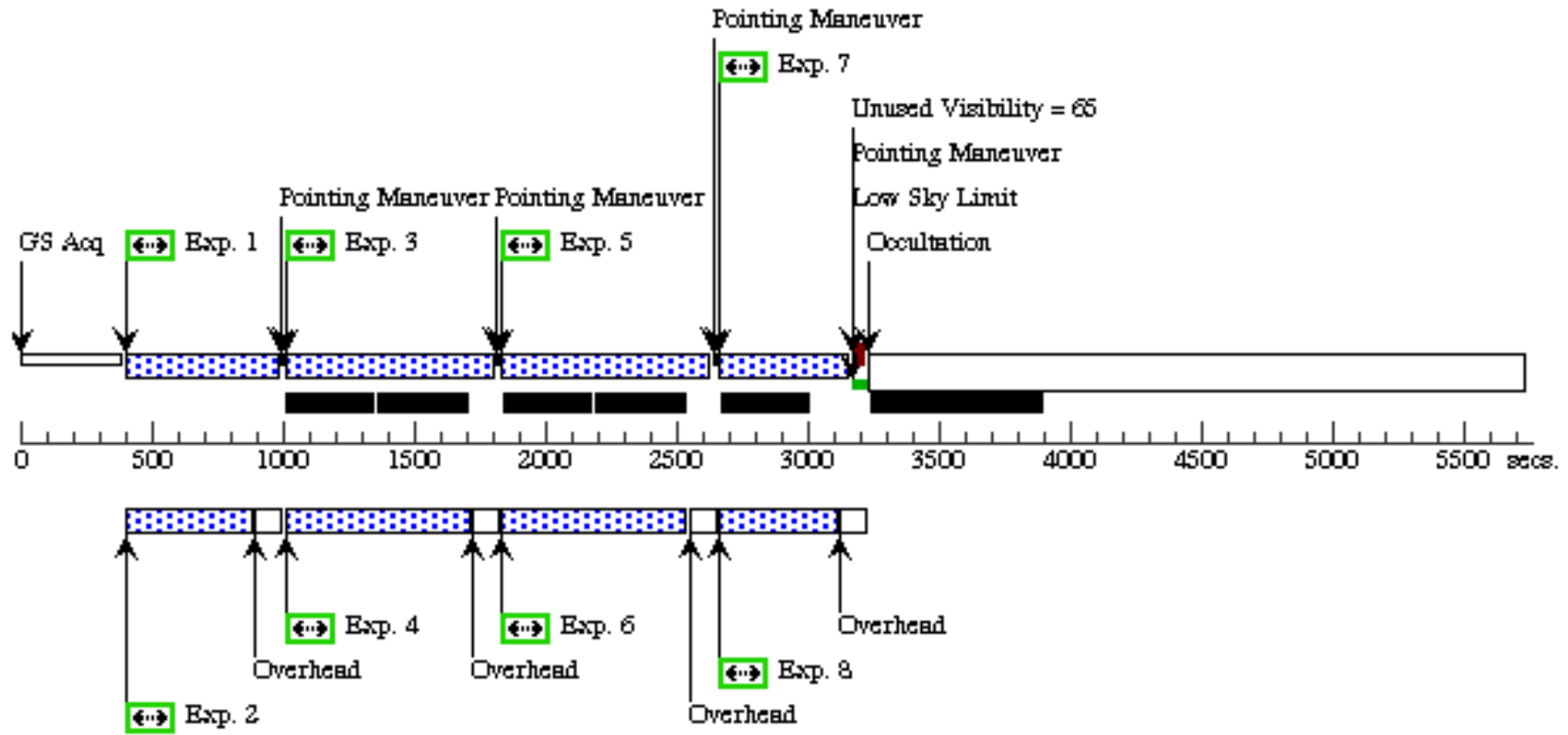
Proposal 13393 - 1232-1 (09) - Galaxy Transformation in the Infall Regions of Clusters

Visit	Proposal 13393, 1232-1 (09), implementation Sat Jun 15 01:32:11 GMT 2013 Diagnostic Status: No Diagnostics Scientific Instruments: WFC3/UVIS, ACS/WFC Special Requirements: (none)					
	Fixed Targets	#	Name	Target Coordinates	Targ. Coord. Corrections	Fluxes
	(9)	CL1232-1	RA: 12 32 52.8000 (188.2200000d) Dec: -12 55 4.80 (-12.91800d) Equinox: J2000	Redshift: 0.54	V=22+/-1	Reference Frame: ICRS

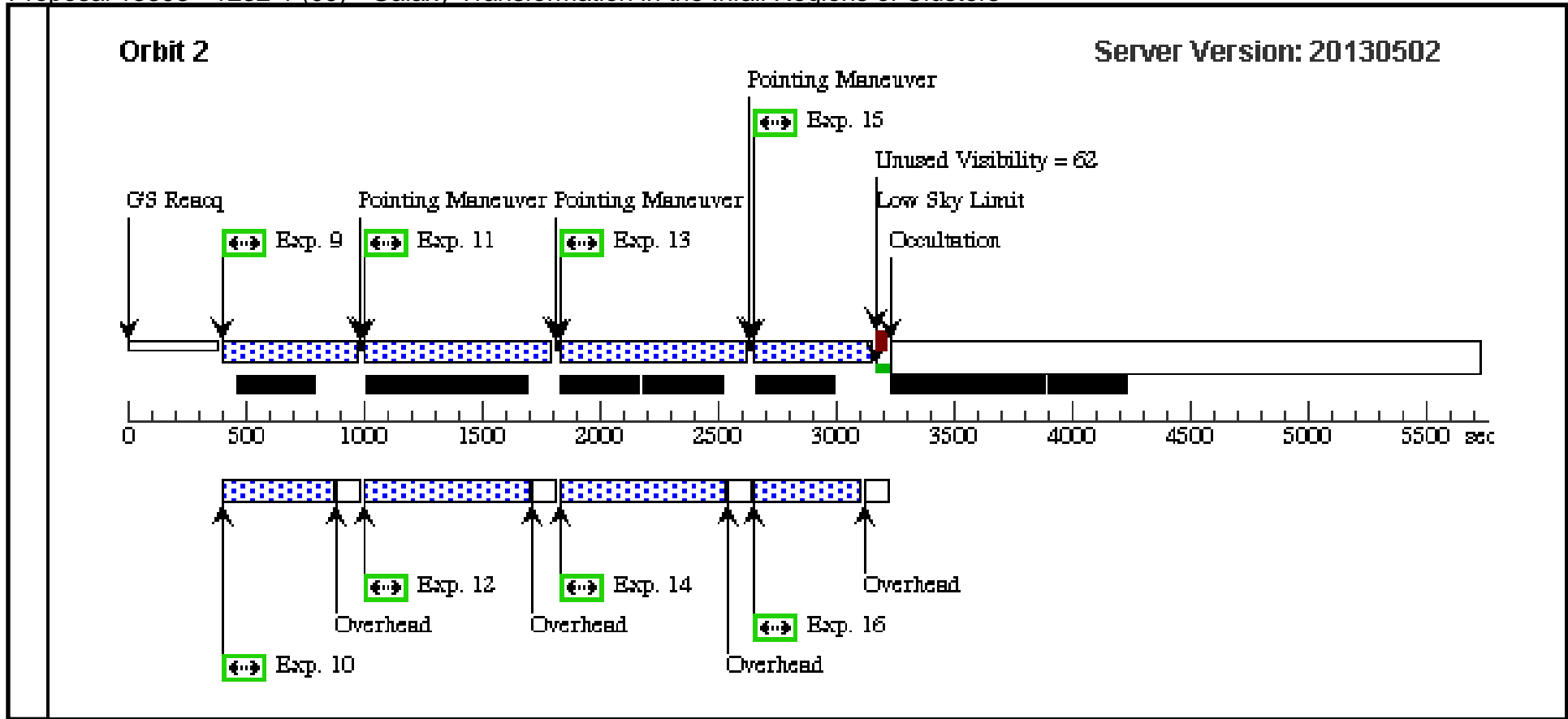
Proposal 13393 - 1232-1 (09) - Galaxy Transformation in the Infall Regions of Clusters

Exposures	#	Label	Target	Config,Mode,Aperture	Spectral Els.	Opt. Params.	Special Reqs.	Groups	Exp. Time (Total)/[Actual Dur.]	Orbit
	1	1232-1-606 W-1	(9) CL1232-1	ACS/WFC, ACCUM, WFCENTER	F606W	CR-SPLIT=NO; GAIN=2.0	POS TARG -0.1976, -0.016; LOW-SKY	Prime + Parallel Group 1-2 in 1232-1 (09)	370 Secs (370 Secs) [==>]	[1]
	2	par1232-1-6 06W-1	ANY	WFC3/UVIS, ACCUM, UVIS-CENTER	F606W	CR-SPLIT=NO		Prime + Parallel Group 1-2 in 1232-1 (09)	450 Secs (450 Secs) [==>]	[1]
	3	1232-1-606 W-2	(9) CL1232-1	ACS/WFC, ACCUM, WFCENTER	F606W	CR-SPLIT=NO; GAIN=2.0	POS TARG 0.2223,0 .018; LOW-SKY	Prime + Parallel Group 3-4 in 1232-1 (09)	670 Secs (670 Secs) [==>]	[1]
	4	par1232-1-6 06W-2	ANY	WFC3/UVIS, ACCUM, UVIS-CENTER	F606W	CR-SPLIT=NO		Prime + Parallel Group 3-4 in 1232-1 (09)	700 Secs (700 Secs) [==>]	[1]
	5	1232-1-606 W-3	(9) CL1232-1	ACS/WFC, ACCUM, WFCENTER	F606W	CR-SPLIT=NO; GAIN=2.0	POS TARG 0.1729,0 .2363; LOW-SKY	Prime + Parallel Group 5-6 in 1232-1 (09)	670 Secs (670 Secs) [==>]	[1]
	6	par1232-1-6 06W-3	ANY	WFC3/UVIS, ACCUM, UVIS-CENTER	F606W	CR-SPLIT=NO		Prime + Parallel Group 5-6 in 1232-1 (09)	700 Secs (700 Secs) [==>]	[1]
	7	1232-1-606 W-4	(9) CL1232-1	ACS/WFC, ACCUM, WFCENTER	F606W	CR-SPLIT=NO; GAIN=2.0	POS TARG 0.0,0.17 29; LOW-SKY	Prime + Parallel Group 7-8 in 1232-1 (09)	370 Secs (370 Secs) [==>]	[1]
	8	par1232-1-6 06W-4	ANY	WFC3/UVIS, ACCUM, UVIS-CENTER	F606W	CR-SPLIT=NO		Prime + Parallel Group 7-8 in 1232-1 (09)	450 Secs (450 Secs) [==>]	[1]
	9	1232-1-814 W-1	(9) CL1232-1	ACS/WFC, ACCUM, WFCENTER	F814W	CR-SPLIT=NO; GAIN=2.0	POS TARG -0.1976, -0.016; LOW-SKY	Prime + Parallel Group 9-10 in 1232-1 (09)	390 Secs (390 Secs) [==>]	[2]
	10	par1232-1-8 14W-1	ANY	WFC3/UVIS, ACCUM, UVIS-CENTER	F814W	CR-SPLIT=NO		Prime + Parallel Group 9-10 in 1232-1 (09)	450 Secs (450 Secs) [==>]	[2]
	11	1232-1-814 W-2	(9) CL1232-1	ACS/WFC, ACCUM, WFCENTER	F814W	CR-SPLIT=NO; GAIN=2.0	POS TARG 0.2223,0 .018; LOW-SKY	Prime + Parallel Group 11-12 in 1232-1 (09)	670 Secs (670 Secs) [==>]	[2]
	12	par1232-1-8 14W-2	ANY	WFC3/UVIS, ACCUM, UVIS-CENTER	F814W	CR-SPLIT=NO		Prime + Parallel Group 11-12 in 1232-1 (09)	700 Secs (700 Secs) [==>]	[2]
	13	1232-1-814 W-3	(9) CL1232-1	ACS/WFC, ACCUM, WFCENTER	F814W	CR-SPLIT=NO; GAIN=2.0	POS TARG 0.1729,0 .2363; LOW-SKY	Prime + Parallel Group 13-14 in 1232-1 (09)	670 Secs (670 Secs) [==>]	[2]
	14	par1232-1-8 14W-3	ANY	WFC3/UVIS, ACCUM, UVIS-CENTER	F814W	CR-SPLIT=NO		Prime + Parallel Group 13-14 in 1232-1 (09)	700 Secs (700 Secs) [==>]	[2]
	15	1232-1-814 W-4	(9) CL1232-1	ACS/WFC, ACCUM, WFCENTER	F814W	CR-SPLIT=NO; GAIN=2.0	POS TARG 0.0,0.17 29; LOW-SKY	Prime + Parallel Group 15-16 in 1232-1 (09)	380 Secs (380 Secs) [==>]	[2]
	16	par1232-1-8 14W-4	ANY	WFC3/UVIS, ACCUM, UVIS-CENTER	F814W	CR-SPLIT=NO		Prime + Parallel Group 15-16 in 1232-1 (09)	450 Secs (450 Secs) [==>]	[2]

Orbit 1



Orbit Structure



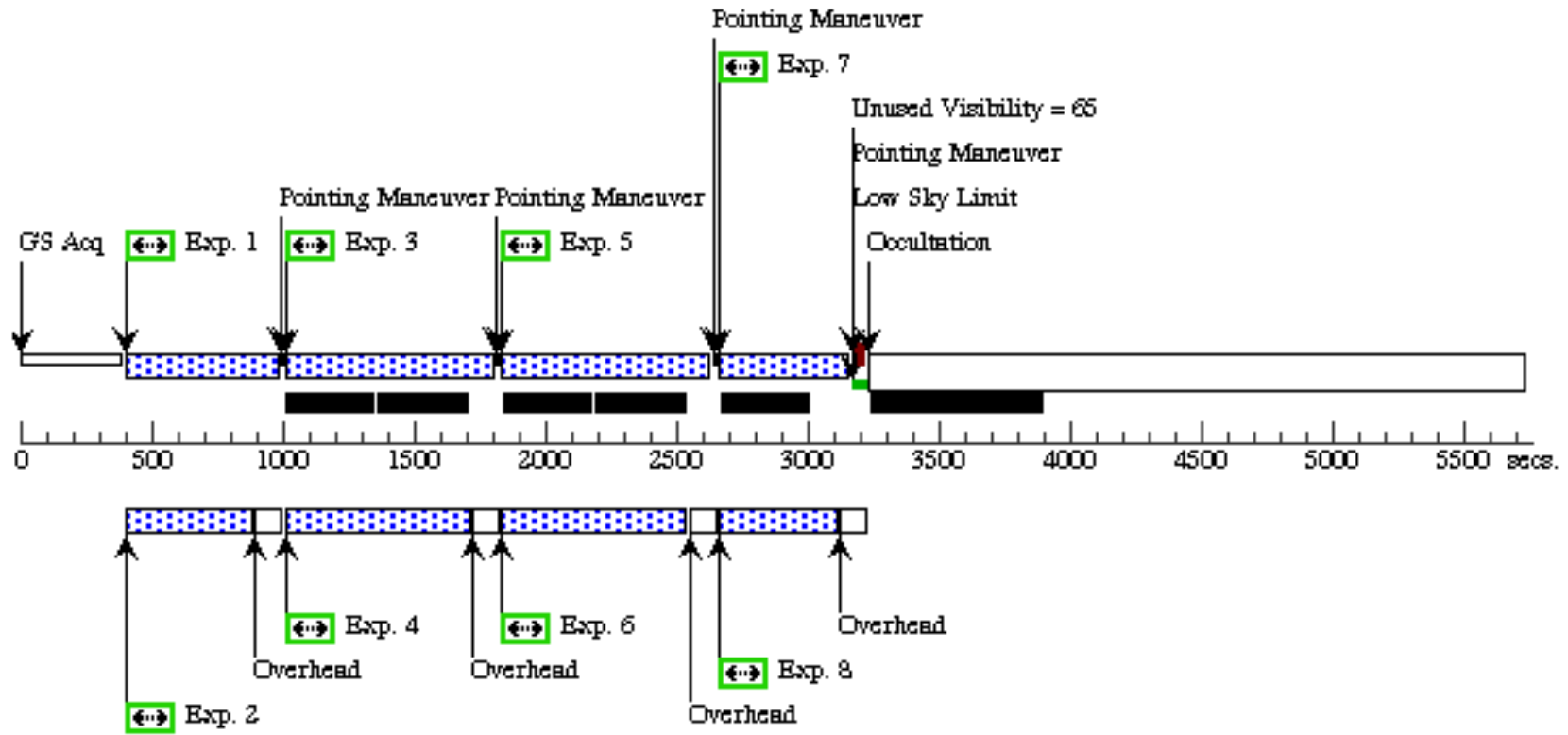
Proposal 13393 - 1232-2 (10) - Galaxy Transformation in the Infall Regions of Clusters

Visit	Proposal 13393, 1232-2 (10), implementation Sat Jun 15 01:32:13 GMT 2013 Diagnostic Status: No Diagnostics Scientific Instruments: WFC3/UVIS, ACS/WFC Special Requirements: (none)					
	Fixed Targets	#	Name	Target Coordinates	Targ. Coord. Corrections	Fluxes
(10)		CL1232-2	RA: 12 33 14.4000 (188.3100000d) Dec: -12 53 24.00 (-12.89000d) Equinox: J2000	Redshift: 0.54	V=22+/-1	Reference Frame: ICRS

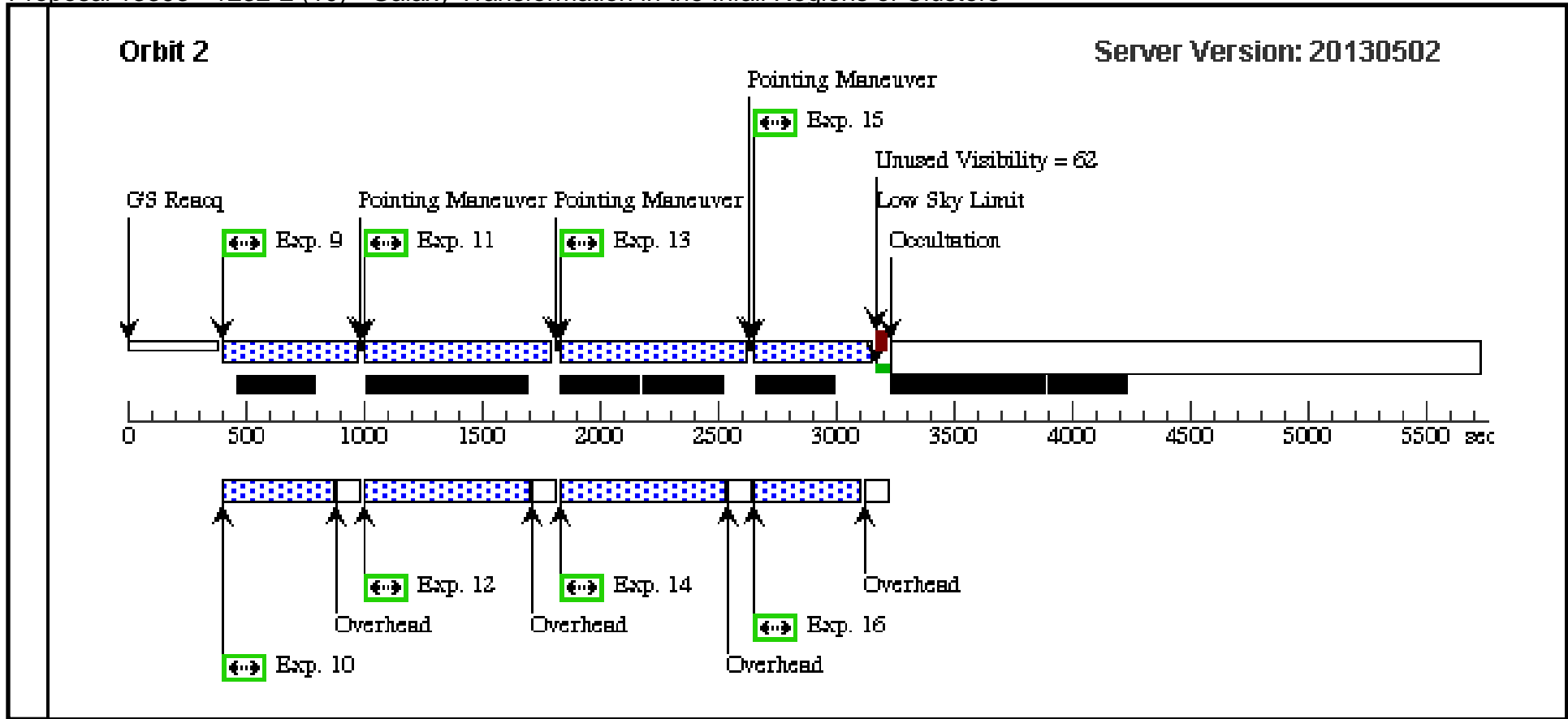
Proposal 13393 - 1232-2 (10) - Galaxy Transformation in the Infall Regions of Clusters

Exposures	#	Label	Target	Config,Mode,Aperture	Spectral Els.	Opt. Params.	Special Reqs.	Groups	Exp. Time (Total)/[Actual Dur.]	Orbit
	1	1232-2-606 W-1	(10) CL1232-2	ACS/WFC, ACCUM, WFCENTER	F606W	CR-SPLIT=NO; GAIN=2.0	POS TARG -0.1976, -0.016; LOW-SKY	Prime + Parallel Group 1-2 in 1232-2 (10)	370 Secs (370 Secs) [==>]	[1]
	2	par1232-2-6 06W-1	ANY	WFC3/UVIS, ACCUM, UVIS-CENTER	F606W	CR-SPLIT=NO		Prime + Parallel Group 1-2 in 1232-2 (10)	450 Secs (450 Secs) [==>]	[1]
	3	1232-2-606 W-2	(10) CL1232-2	ACS/WFC, ACCUM, WFCENTER	F606W	CR-SPLIT=NO; GAIN=2.0	POS TARG 0.2223,0 .018; LOW-SKY	Prime + Parallel Group 3-4 in 1232-2 (10)	670 Secs (670 Secs) [==>]	[1]
	4	par1232-2-6 06W-2	ANY	WFC3/UVIS, ACCUM, UVIS-CENTER	F606W	CR-SPLIT=NO		Prime + Parallel Group 3-4 in 1232-2 (10)	700 Secs (700 Secs) [==>]	[1]
	5	1232-2-606 W-3	(10) CL1232-2	ACS/WFC, ACCUM, WFCENTER	F606W	CR-SPLIT=NO; GAIN=2.0	POS TARG 0.1729,0 .2363; LOW-SKY	Prime + Parallel Group 5-6 in 1232-2 (10)	670 Secs (670 Secs) [==>]	[1]
	6	par1232-2-6 06W-3	ANY	WFC3/UVIS, ACCUM, UVIS-CENTER	F606W	CR-SPLIT=NO		Prime + Parallel Group 5-6 in 1232-2 (10)	700 Secs (700 Secs) [==>]	[1]
	7	1232-2-606 W-4	(10) CL1232-2	ACS/WFC, ACCUM, WFCENTER	F606W	CR-SPLIT=NO; GAIN=2.0	POS TARG 0.0,0.17 29; LOW-SKY	Prime + Parallel Group 7-8 in 1232-2 (10)	370 Secs (370 Secs) [==>]	[1]
	8	par1232-2-6 06W-4	ANY	WFC3/UVIS, ACCUM, UVIS-CENTER	F606W	CR-SPLIT=NO		Prime + Parallel Group 7-8 in 1232-2 (10)	450 Secs (450 Secs) [==>]	[1]
	9	1232-2-814 W-1	(10) CL1232-2	ACS/WFC, ACCUM, WFCENTER	F814W	CR-SPLIT=NO; GAIN=2.0	POS TARG -0.1976, -0.016; LOW-SKY	Prime + Parallel Group 9-10 in 1232-2 (10)	390 Secs (390 Secs) [==>]	[2]
	10	par1232-2-8 14W-1	ANY	WFC3/UVIS, ACCUM, UVIS-CENTER	F814W	CR-SPLIT=NO		Prime + Parallel Group 9-10 in 1232-2 (10)	450 Secs (450 Secs) [==>]	[2]
	11	1232-2-814 W-2	(10) CL1232-2	ACS/WFC, ACCUM, WFCENTER	F814W	CR-SPLIT=NO; GAIN=2.0	POS TARG 0.2223,0 .018; LOW-SKY	Prime + Parallel Group 11-12 in 1232-2 (10)	670 Secs (670 Secs) [==>]	[2]
	12	par1232-2-8 14W-2	ANY	WFC3/UVIS, ACCUM, UVIS-CENTER	F814W	CR-SPLIT=NO		Prime + Parallel Group 11-12 in 1232-2 (10)	700 Secs (700 Secs) [==>]	[2]
	13	1232-2-814 W-3	(10) CL1232-2	ACS/WFC, ACCUM, WFCENTER	F814W	CR-SPLIT=NO; GAIN=2.0	POS TARG 0.1729,0 .2363; LOW-SKY	Prime + Parallel Group 13-14 in 1232-2 (10)	670 Secs (670 Secs) [==>]	[2]
	14	par1232-2-8 14W-3	ANY	WFC3/UVIS, ACCUM, UVIS-CENTER	F814W	CR-SPLIT=NO		Prime + Parallel Group 13-14 in 1232-2 (10)	700 Secs (700 Secs) [==>]	[2]
	15	1232-2-814 W-4	(10) CL1232-2	ACS/WFC, ACCUM, WFCENTER	F814W	CR-SPLIT=NO; GAIN=2.0	POS TARG 0.0,0.17 29; LOW-SKY	Prime + Parallel Group 15-16 in 1232-2 (10)	380 Secs (380 Secs) [==>]	[2]
	16	par1232-2-8 14W-4	ANY	WFC3/UVIS, ACCUM, UVIS-CENTER	F814W	CR-SPLIT=NO		Prime + Parallel Group 15-16 in 1232-2 (10)	450 Secs (450 Secs) [==>]	[2]

Orbit 1



Orbit Structure



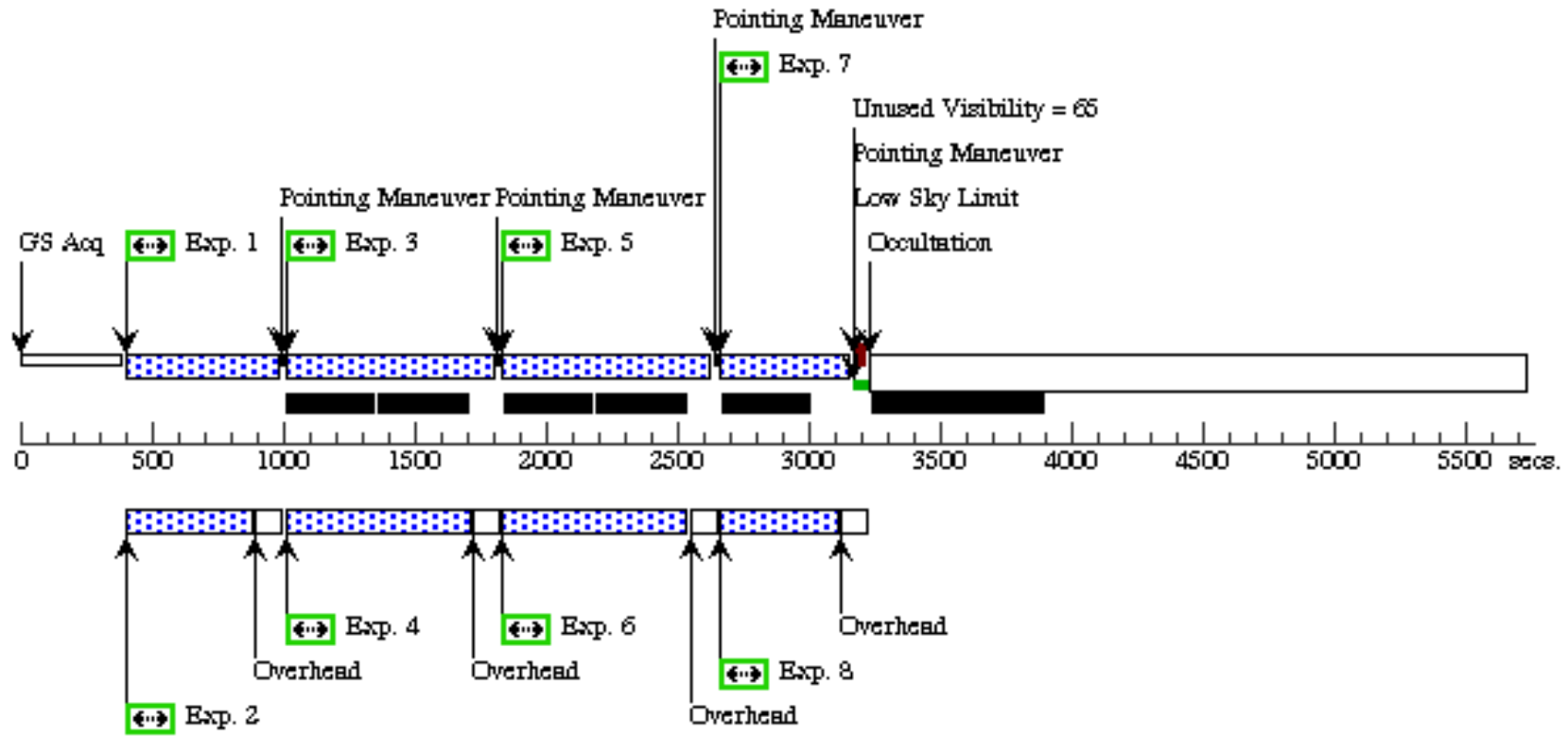
Proposal 13393 - 1301-1 (11) - Galaxy Transformation in the Infall Regions of Clusters

Visit	Proposal 13393, 1301-1 (11), implementation Sat Jun 15 01:32:15 GMT 2013					
	Diagnostic Status: No Diagnostics Scientific Instruments: WFC3/UVIS, ACS/WFC Special Requirements: (none)					
Fixed Targets	#	Name	Target Coordinates	Targ. Coord. Corrections	Fluxes	Miscellaneous
	(11)	CL1301-1	RA: 13 01 28.8000 (195.3700000d) Dec: -11 32 24.00 (-11.54000d) Equinox: J2000	Redshift: 0.48	V=22+/-1	Reference Frame: ICRS

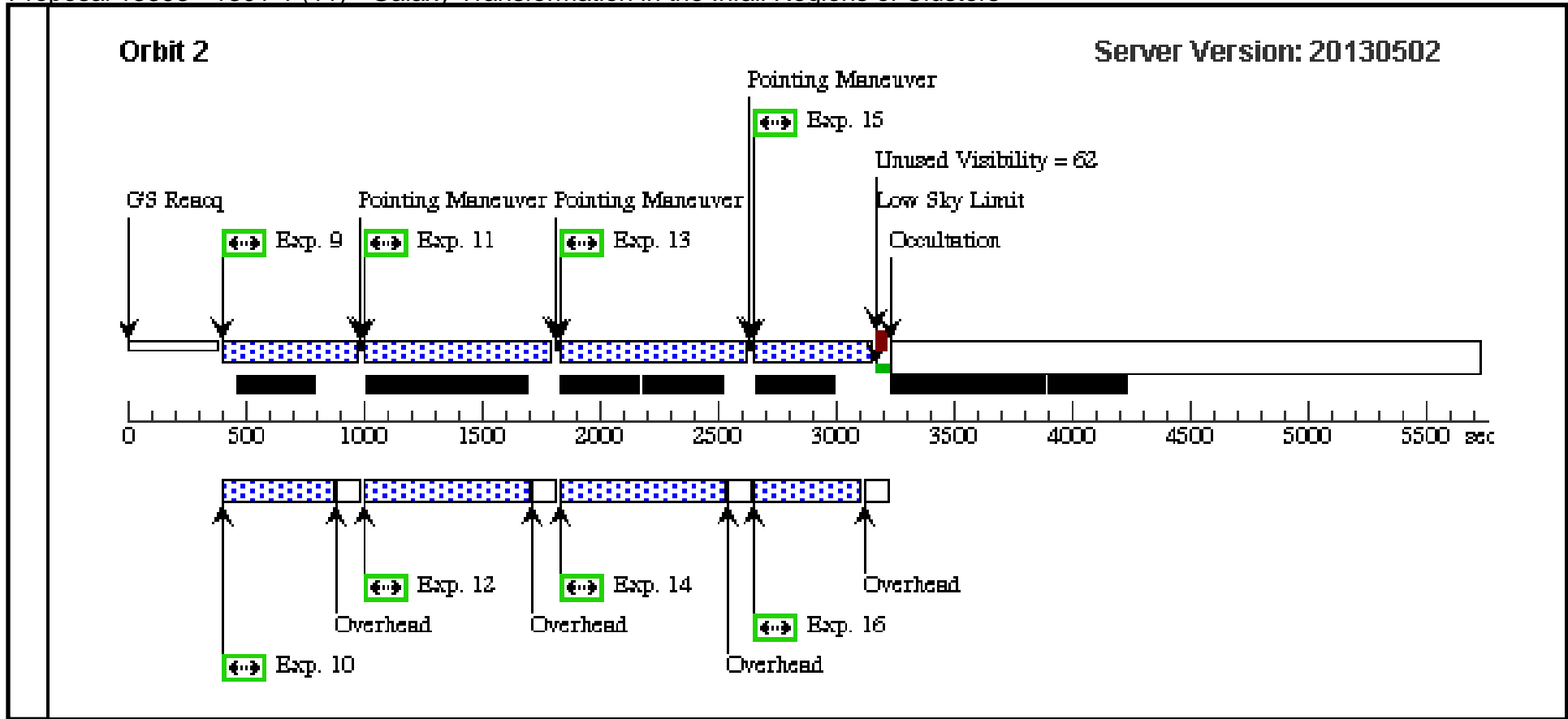
Proposal 13393 - 1301-1 (11) - Galaxy Transformation in the Infall Regions of Clusters

Exposures	#	Label	Target	Config,Mode,Aperture	Spectral Els.	Opt. Params.	Special Reqs.	Groups	Exp. Time (Total)/[Actual Dur.]	Orbit
	1	1301-1-606 W-1	(11) CL1301-1	ACS/WFC, ACCUM, WFCENTER	F606W	CR-SPLIT=NO; GAIN=2.0	POS TARG -0.1976, -0.016; LOW-SKY	Prime + Parallel Group 1-2 in 1301-1 (11)	370 Secs (370 Secs) [==>]	[1]
	2	par1301-1-6 06W-1	ANY	WFC3/UVIS, ACCUM, UVIS-CENTER	F606W	CR-SPLIT=NO		Prime + Parallel Group 1-2 in 1301-1 (11)	450 Secs (450 Secs) [==>]	[1]
	3	1301-1-606 W-2	(11) CL1301-1	ACS/WFC, ACCUM, WFCENTER	F606W	CR-SPLIT=NO; GAIN=2.0	POS TARG 0.2223,0 .018; LOW-SKY	Prime + Parallel Group 3-4 in 1301-1 (11)	670 Secs (670 Secs) [==>]	[1]
	4	par1301-1-6 06W-2	ANY	WFC3/UVIS, ACCUM, UVIS-CENTER	F606W	CR-SPLIT=NO		Prime + Parallel Group 3-4 in 1301-1 (11)	700 Secs (700 Secs) [==>]	[1]
	5	1301-1-606 W-3	(11) CL1301-1	ACS/WFC, ACCUM, WFCENTER	F606W	CR-SPLIT=NO; GAIN=2.0	POS TARG 0.1729,0 .2363; LOW-SKY	Prime + Parallel Group 5-6 in 1301-1 (11)	670 Secs (670 Secs) [==>]	[1]
	6	par1301-1-6 06W-3	ANY	WFC3/UVIS, ACCUM, UVIS-CENTER	F606W	CR-SPLIT=NO		Prime + Parallel Group 5-6 in 1301-1 (11)	700 Secs (700 Secs) [==>]	[1]
	7	1301-1-606 W-4	(11) CL1301-1	ACS/WFC, ACCUM, WFCENTER	F606W	CR-SPLIT=NO; GAIN=2.0	POS TARG 0.0,0.17 29; LOW-SKY	Prime + Parallel Group 7-8 in 1301-1 (11)	370 Secs (370 Secs) [==>]	[1]
	8	par1301-1-6 06W-4	ANY	WFC3/UVIS, ACCUM, UVIS-CENTER	F606W	CR-SPLIT=NO		Prime + Parallel Group 7-8 in 1301-1 (11)	450 Secs (450 Secs) [==>]	[1]
	9	1301-1-814 W-1	(11) CL1301-1	ACS/WFC, ACCUM, WFCENTER	F814W	CR-SPLIT=NO; GAIN=2.0	POS TARG -0.1976, -0.016; LOW-SKY	Prime + Parallel Group 9-10 in 1301-1 (11)	390 Secs (390 Secs) [==>]	[2]
	10	par1301-1-8 14W-1	ANY	WFC3/UVIS, ACCUM, UVIS-CENTER	F814W	CR-SPLIT=NO		Prime + Parallel Group 9-10 in 1301-1 (11)	450 Secs (450 Secs) [==>]	[2]
	11	1301-1-814 W-2	(11) CL1301-1	ACS/WFC, ACCUM, WFCENTER	F814W	CR-SPLIT=NO; GAIN=2.0	POS TARG 0.2223,0 .018; LOW-SKY	Prime + Parallel Group 11-12 in 1301-1 (11)	670 Secs (670 Secs) [==>]	[2]
	12	par1301-1-8 14W-2	ANY	WFC3/UVIS, ACCUM, UVIS-CENTER	F814W	CR-SPLIT=NO		Prime + Parallel Group 11-12 in 1301-1 (11)	700 Secs (700 Secs) [==>]	[2]
	13	1301-1-814 W-3	(11) CL1301-1	ACS/WFC, ACCUM, WFCENTER	F814W	CR-SPLIT=NO; GAIN=2.0	POS TARG 0.1729,0 .2363; LOW-SKY	Prime + Parallel Group 13-14 in 1301-1 (11)	670 Secs (670 Secs) [==>]	[2]
	14	par1301-1-8 14W-3	ANY	WFC3/UVIS, ACCUM, UVIS-CENTER	F814W	CR-SPLIT=NO		Prime + Parallel Group 13-14 in 1301-1 (11)	700 Secs (700 Secs) [==>]	[2]
	15	1301-1-814 W-4	(11) CL1301-1	ACS/WFC, ACCUM, WFCENTER	F814W	CR-SPLIT=NO; GAIN=2.0	POS TARG 0.0,0.17 29; LOW-SKY	Prime + Parallel Group 15-16 in 1301-1 (11)	380 Secs (380 Secs) [==>]	[2]
	16	par1301-1-8 14W-4	ANY	WFC3/UVIS, ACCUM, UVIS-CENTER	F814W	CR-SPLIT=NO		Prime + Parallel Group 15-16 in 1301-1 (11)	450 Secs (450 Secs) [==>]	[2]

Orbit 1



Orbit Structure



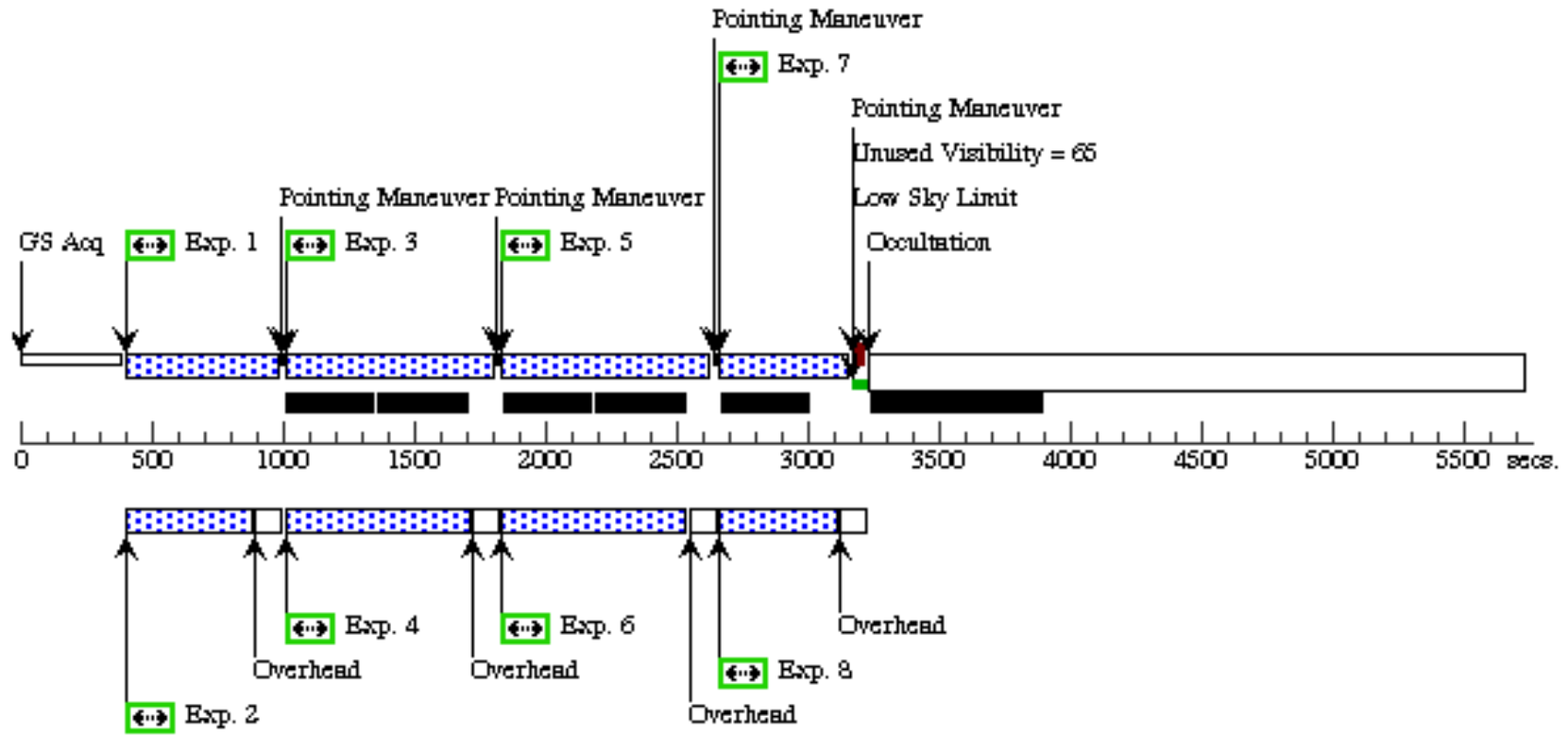
Proposal 13393 - 1301-2 (12) - Galaxy Transformation in the Infall Regions of Clusters

Visit	Proposal 13393, 1301-2 (12), implementation Sat Jun 15 01:32:17 GMT 2013 Diagnostic Status: No Diagnostics Scientific Instruments: WFC3/UVIS, ACS/WFC Special Requirements: (none)					
	Fixed Targets	#	Name	Target Coordinates	Targ. Coord. Corrections	Fluxes
	(12)	CL1301-2	RA: 13 01 43.2000 (195.4300000d) Dec: -11 33 54.00 (-11.56500d) Equinox: J2000	Redshift: 0.48	V=22+/-1	Reference Frame: ICRS

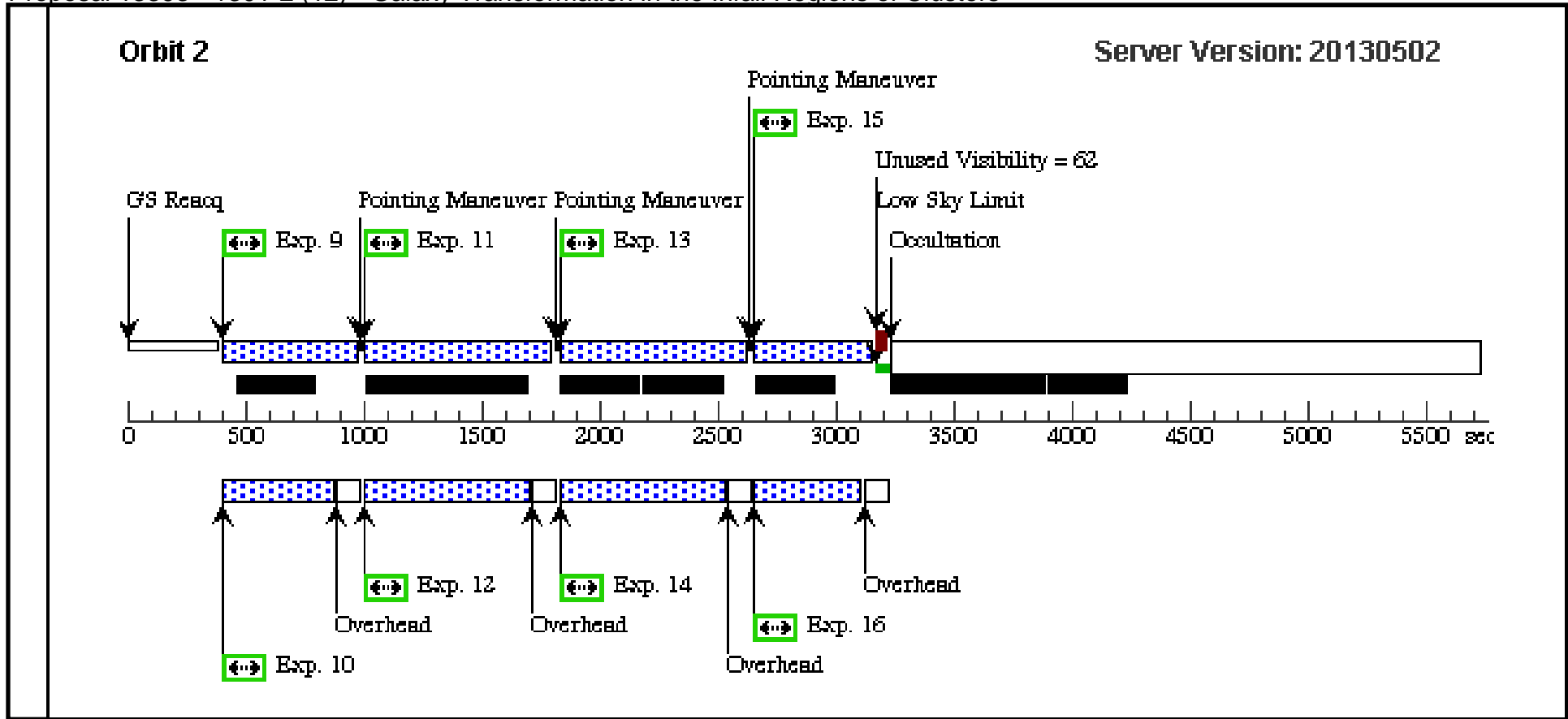
Proposal 13393 - 1301-2 (12) - Galaxy Transformation in the Infall Regions of Clusters

#	Label	Target	Config,Mode,Aperture	Spectral Els.	Opt. Params.	Special Reqs.	Groups	Exp. Time (Total)/[Actual Dur.]	Orbit	
Exposures	1	1301-2-606 W-1	(12) CL1301-2	ACS/WFC, ACCUM, WFCENTER	F606W	CR-SPLIT=NO; GAIN=2.0	POS TARG -0.1976, -0.016; LOW-SKY; GS ACQ SCENARI O BASE1B3	Prime + Parallel Group 1-2 in 1301-2 (12)	370 Secs (370 Secs) [==>]	[1]
	2	par1301-2-6 06W-1	ANY	WFC3/UVIS, ACCUM, UVIS-CENTER	F606W	CR-SPLIT=NO		Prime + Parallel Group 1-2 in 1301-2 (12)	450 Secs (450 Secs) [==>]	[1]
	3	1301-2-606 W-2	(12) CL1301-2	ACS/WFC, ACCUM, WFCENTER	F606W	CR-SPLIT=NO; GAIN=2.0	POS TARG 0.2223,0 .018; LOW-SKY	Prime + Parallel Group 3-4 in 1301-2 (12)	670 Secs (670 Secs) [==>]	[1]
	4	par1301-2-6 06W-2	ANY	WFC3/UVIS, ACCUM, UVIS-CENTER	F606W	CR-SPLIT=NO		Prime + Parallel Group 3-4 in 1301-2 (12)	700 Secs (700 Secs) [==>]	[1]
	5	1301-2-606 W-3	(12) CL1301-2	ACS/WFC, ACCUM, WFCENTER	F606W	CR-SPLIT=NO; GAIN=2.0	POS TARG 0.1729,0 .2363; LOW-SKY	Prime + Parallel Group 5-6 in 1301-2 (12)	670 Secs (670 Secs) [==>]	[1]
	6	par1301-2-6 06W-3	ANY	WFC3/UVIS, ACCUM, UVIS-CENTER	F606W	CR-SPLIT=NO		Prime + Parallel Group 5-6 in 1301-2 (12)	700 Secs (700 Secs) [==>]	[1]
	7	1301-2-606 W-4	(12) CL1301-2	ACS/WFC, ACCUM, WFCENTER	F606W	CR-SPLIT=NO; GAIN=2.0	POS TARG 0.0,0.17 29; LOW-SKY	Prime + Parallel Group 7-8 in 1301-2 (12)	370 Secs (370 Secs) [==>]	[1]
	8	par1301-2-6 06W-4	ANY	WFC3/UVIS, ACCUM, UVIS-CENTER	F606W	CR-SPLIT=NO		Prime + Parallel Group 7-8 in 1301-2 (12)	450 Secs (450 Secs) [==>]	[1]
	9	1301-2-814 W-1	(12) CL1301-2	ACS/WFC, ACCUM, WFCENTER	F814W	CR-SPLIT=NO; GAIN=2.0	POS TARG -0.1976, -0.016; LOW-SKY	Prime + Parallel Group 9-10 in 1301-2 (12)	390 Secs (390 Secs) [==>]	[2]
	10	par1301-2-8 14W-1	ANY	WFC3/UVIS, ACCUM, UVIS-CENTER	F814W	CR-SPLIT=NO		Prime + Parallel Group 9-10 in 1301-2 (12)	450 Secs (450 Secs) [==>]	[2]
	11	1301-2-814 W-2	(12) CL1301-2	ACS/WFC, ACCUM, WFCENTER	F814W	CR-SPLIT=NO; GAIN=2.0	POS TARG 0.2223,0 .018; LOW-SKY	Prime + Parallel Group 11-12 in 1301-2 (12)	670 Secs (670 Secs) [==>]	[2]
	12	par1301-2-8 14W-2	ANY	WFC3/UVIS, ACCUM, UVIS-CENTER	F814W	CR-SPLIT=NO		Prime + Parallel Group 11-12 in 1301-2 (12)	700 Secs (700 Secs) [==>]	[2]
	13	1301-2-814 W-3	(12) CL1301-2	ACS/WFC, ACCUM, WFCENTER	F814W	CR-SPLIT=NO; GAIN=2.0	POS TARG 0.1729,0 .2363; LOW-SKY	Prime + Parallel Group 13-14 in 1301-2 (12)	670 Secs (670 Secs) [==>]	[2]
	14	par1301-2-8 14W-3	ANY	WFC3/UVIS, ACCUM, UVIS-CENTER	F814W	CR-SPLIT=NO		Prime + Parallel Group 13-14 in 1301-2 (12)	700 Secs (700 Secs) [==>]	[2]
	15	1301-2-814 W-4	(12) CL1301-2	ACS/WFC, ACCUM, WFCENTER	F814W	CR-SPLIT=NO; GAIN=2.0	POS TARG 0.0,0.17 29; LOW-SKY	Prime + Parallel Group 15-16 in 1301-2 (12)	380 Secs (380 Secs) [==>]	[2]
	16	par1301-2-8 14W-4	ANY	WFC3/UVIS, ACCUM, UVIS-CENTER	F814W	CR-SPLIT=NO		Prime + Parallel Group 15-16 in 1301-2 (12)	450 Secs (450 Secs) [==>]	[2]

Orbit 1



Orbit Structure



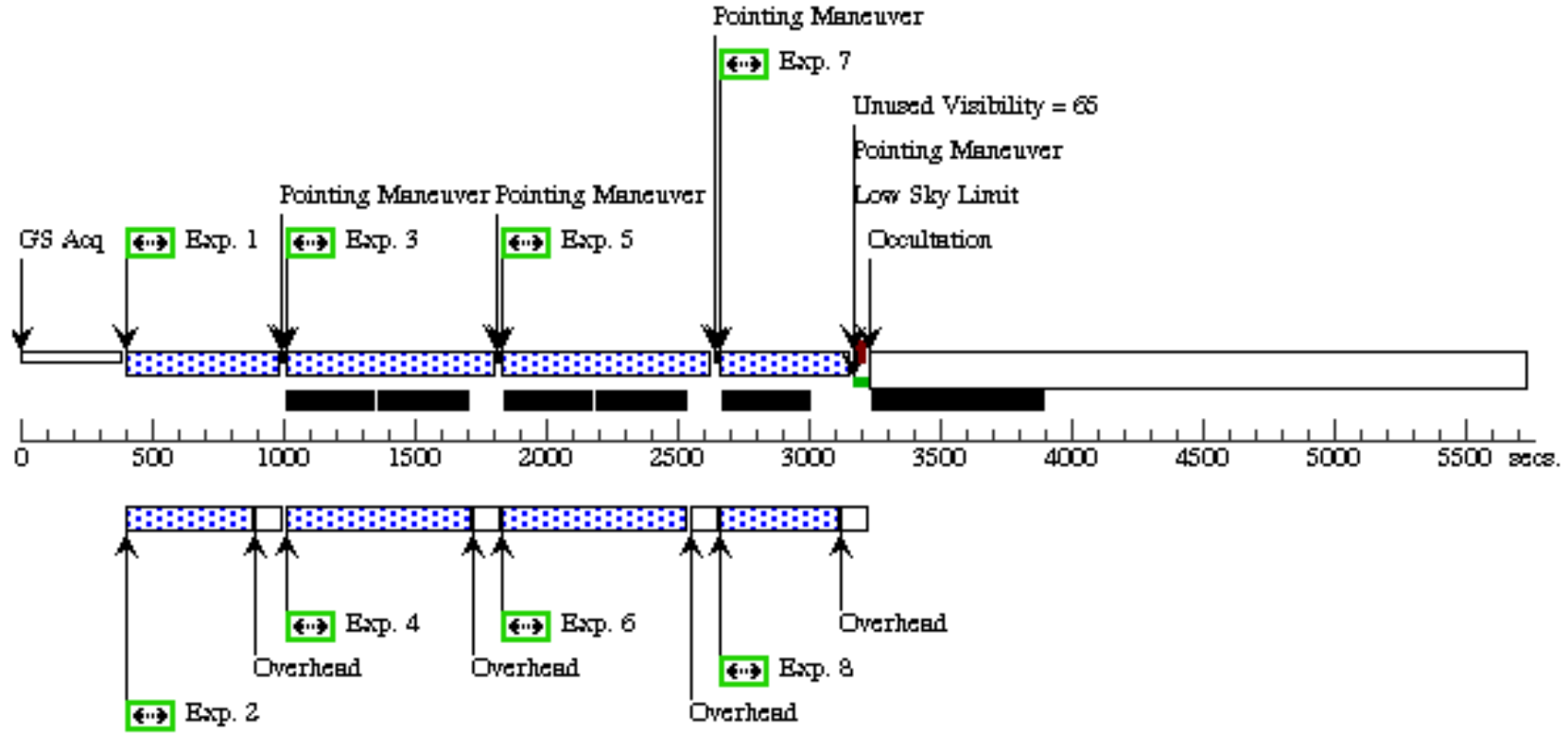
Proposal 13393 - 1301-3 (13) - Galaxy Transformation in the Infall Regions of Clusters

Visit	Proposal 13393, 1301-3 (13), implementation Sat Jun 15 01:32:19 GMT 2013 Diagnostic Status: No Diagnostics Scientific Instruments: WFC3/UVIS, ACS/WFC Special Requirements: (none)					
	Fixed Targets	#	Name	Target Coordinates	Targ. Coord. Corrections	Fluxes
(13)		CL1301-3	RA: 13 01 1.2000 (195.2550000d) Dec: -11 38 6.00 (-11.63500d) Equinox: J2000	Redshift: 0.48	V=22+/-1	Reference Frame: ICRS

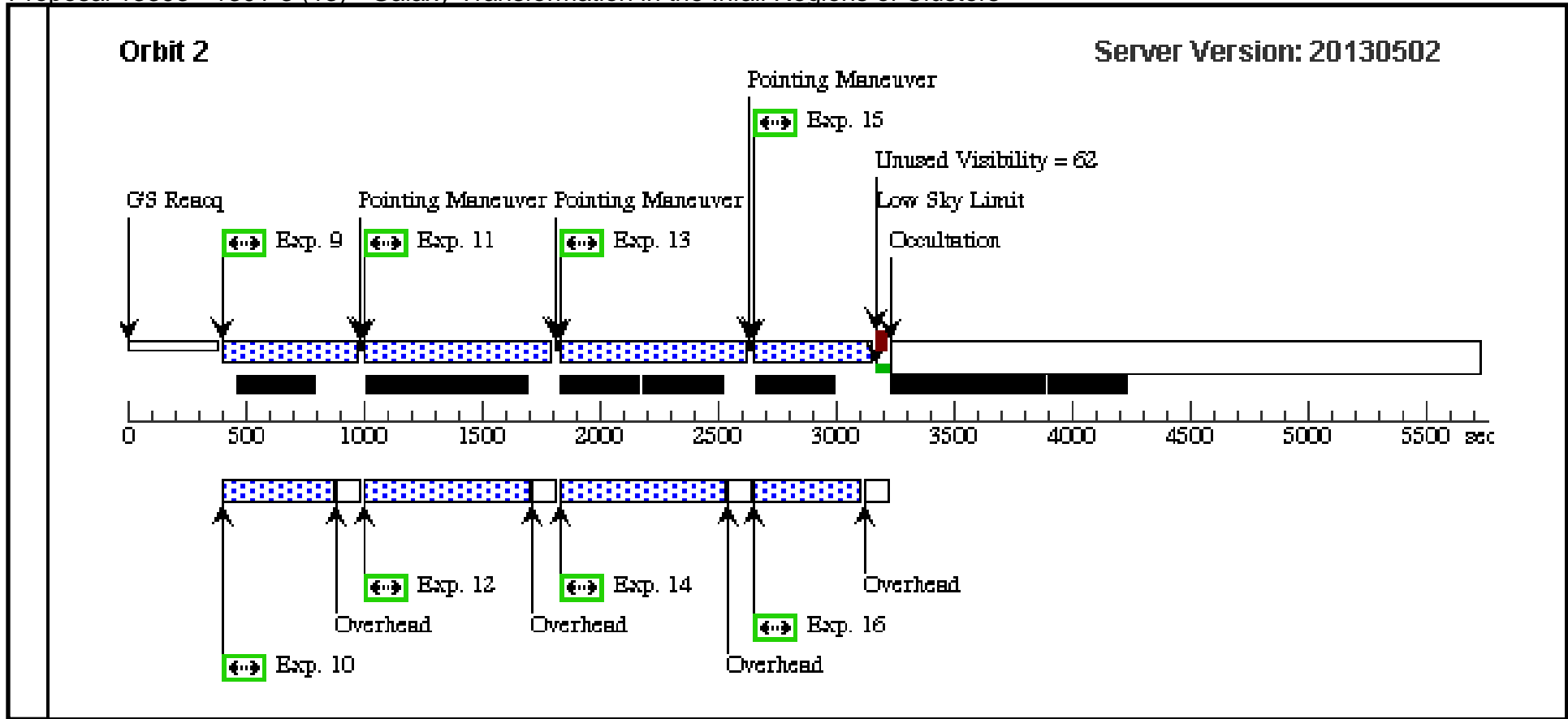
Proposal 13393 - 1301-3 (13) - Galaxy Transformation in the Infall Regions of Clusters

Exposures	#	Label	Target	Config,Mode,Aperture	Spectral Els.	Opt. Params.	Special Reqs.	Groups	Exp. Time (Total)/[Actual Dur.]	Orbit
	1	130131-606 W-1	(13) CL1301-3	ACS/WFC, ACCUM, WFCENTER	F606W	CR-SPLIT=NO; GAIN=2.0	POS TARG -0.1976, -0.016; LOW-SKY	Prime + Parallel Group 1-2 in 1301-3 (13)	370 Secs (370 Secs) [==>]	[1]
	2	par1301-3-6 06W-1	ANY	WFC3/UVIS, ACCUM, UVIS-CENTER	F606W	CR-SPLIT=NO		Prime + Parallel Group 1-2 in 1301-3 (13)	450 Secs (450 Secs) [==>]	[1]
	3	1301-3-606 W-2	(13) CL1301-3	ACS/WFC, ACCUM, WFCENTER	F606W	CR-SPLIT=NO; GAIN=2.0	POS TARG 0.2223,0 .018; LOW-SKY	Prime + Parallel Group 3-4 in 1301-3 (13)	670 Secs (670 Secs) [==>]	[1]
	4	par1301-3-6 06W-2	ANY	WFC3/UVIS, ACCUM, UVIS-CENTER	F606W	CR-SPLIT=NO		Prime + Parallel Group 3-4 in 1301-3 (13)	700 Secs (700 Secs) [==>]	[1]
	5	1301-3-606 W-3	(13) CL1301-3	ACS/WFC, ACCUM, WFCENTER	F606W	CR-SPLIT=NO; GAIN=2.0	POS TARG 0.1729,0 .2363; LOW-SKY	Prime + Parallel Group 5-6 in 1301-3 (13)	670 Secs (670 Secs) [==>]	[1]
	6	par1301-3-6 06W-3	ANY	WFC3/UVIS, ACCUM, UVIS-CENTER	F606W	CR-SPLIT=NO		Prime + Parallel Group 5-6 in 1301-3 (13)	700 Secs (700 Secs) [==>]	[1]
	7	1301-3-606 W-4	(13) CL1301-3	ACS/WFC, ACCUM, WFCENTER	F606W	CR-SPLIT=NO; GAIN=2.0	POS TARG 0.0,0,0.17 29; LOW-SKY	Prime + Parallel Group 7-8 in 1301-3 (13)	370 Secs (370 Secs) [==>]	[1]
	8	par1301-3-6 06W-4	ANY	WFC3/UVIS, ACCUM, UVIS-CENTER	F606W	CR-SPLIT=NO		Prime + Parallel Group 7-8 in 1301-3 (13)	450 Secs (450 Secs) [==>]	[1]
	9	1301-3-814 W-1	(13) CL1301-3	ACS/WFC, ACCUM, WFCENTER	F814W	CR-SPLIT=NO; GAIN=2.0	POS TARG -0.1976, -0.016; LOW-SKY	Prime + Parallel Group 9-10 in 1301-3 (13)	390 Secs (390 Secs) [==>]	[2]
	10	par1301-3-8 14W-1	ANY	WFC3/UVIS, ACCUM, UVIS-CENTER	F814W	CR-SPLIT=NO		Prime + Parallel Group 9-10 in 1301-3 (13)	450 Secs (450 Secs) [==>]	[2]
	11	1301-3-814 W-2	(13) CL1301-3	ACS/WFC, ACCUM, WFCENTER	F814W	CR-SPLIT=NO; GAIN=2.0	POS TARG 0.2223,0 .018; LOW-SKY	Prime + Parallel Group 11-12 in 1301-3 (13)	670 Secs (670 Secs) [==>]	[2]
	12	par1301-3-8 14W-2	ANY	WFC3/UVIS, ACCUM, UVIS-CENTER	F814W	CR-SPLIT=NO		Prime + Parallel Group 11-12 in 1301-3 (13)	700 Secs (700 Secs) [==>]	[2]
	13	1301-3-814 W-3	(13) CL1301-3	ACS/WFC, ACCUM, WFCENTER	F814W	CR-SPLIT=NO; GAIN=2.0	POS TARG 0.1729,0 .2363; LOW-SKY	Prime + Parallel Group 13-14 in 1301-3 (13)	670 Secs (670 Secs) [==>]	[2]
	14	par1301-3-8 14W-3	ANY	WFC3/UVIS, ACCUM, UVIS-CENTER	F814W	CR-SPLIT=NO		Prime + Parallel Group 13-14 in 1301-3 (13)	700 Secs (700 Secs) [==>]	[2]
	15	1301-3-814 W-4	(13) CL1301-3	ACS/WFC, ACCUM, WFCENTER	F814W	CR-SPLIT=NO; GAIN=2.0	POS TARG 0.0,0,0.17 29; LOW-SKY	Prime + Parallel Group 15-16 in 1301-3 (13)	380 Secs (380 Secs) [==>]	[2]
	16	par1301-3-8 14W-4	ANY	WFC3/UVIS, ACCUM, UVIS-CENTER	F814W	CR-SPLIT=NO		Prime + Parallel Group 15-16 in 1301-3 (13)	450 Secs (450 Secs) [==>]	[2]

Orbit 1



Orbit Structure



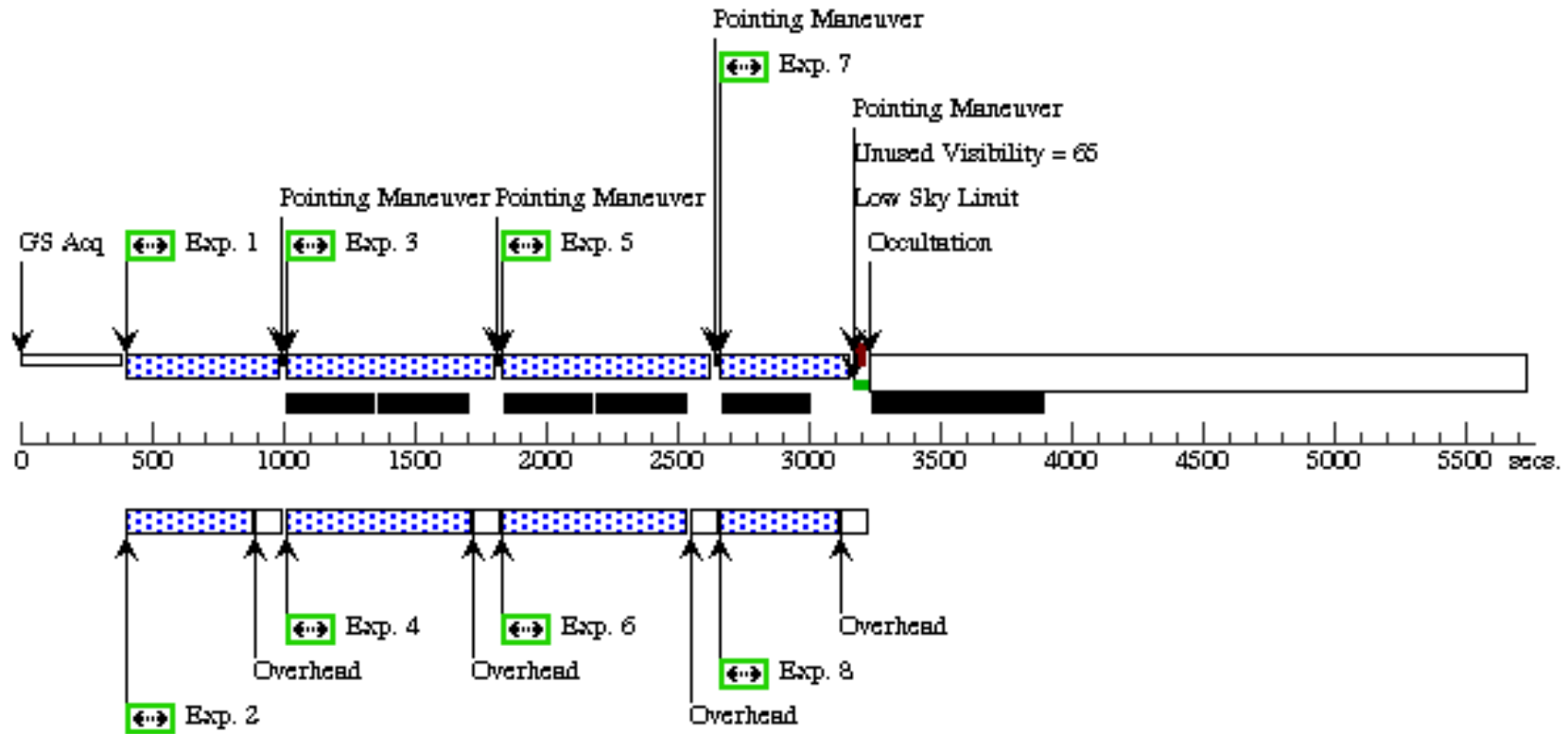
Proposal 13393 - 1411-1 (14) - Galaxy Transformation in the Infall Regions of Clusters

Visit	Proposal 13393, 1411-1 (14), implementation Sat Jun 15 01:32:21 GMT 2013 Diagnostic Status: No Diagnostics Scientific Instruments: WFC3/UVIS, ACS/WFC Special Requirements: (none)					
	Fixed Targets	#	Name	Target Coordinates	Targ. Coord. Corrections	Fluxes
	(14)	CL1411-1	RA: 14 11 20.4000 (212.8350000d) Dec: -11 51 36.00 (-11.86000d) Equinox: J2000	Redshift: 0.52	V=22+/-1	Reference Frame: ICRS

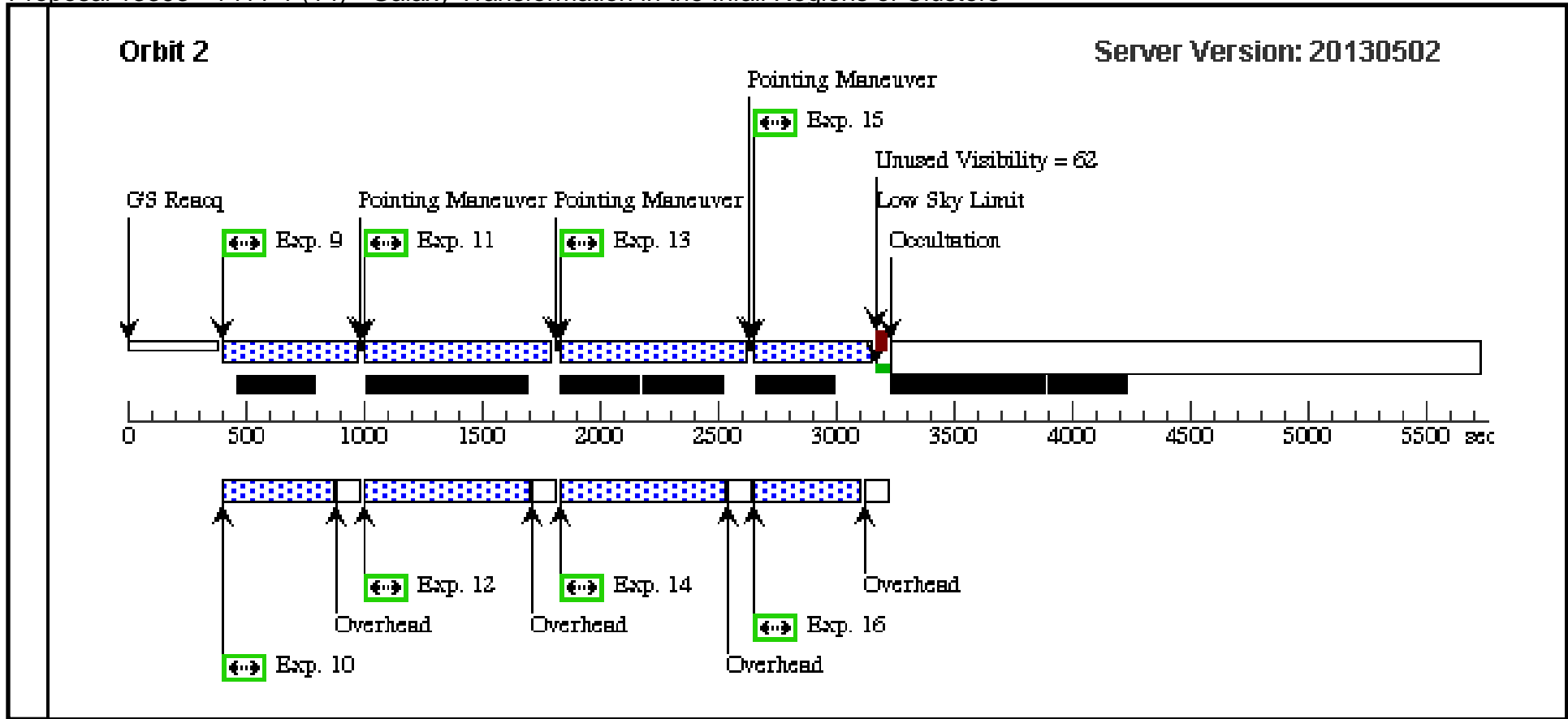
Proposal 13393 - 1411-1 (14) - Galaxy Transformation in the Infall Regions of Clusters

Exposures	#	Label	Target	Config,Mode,Aperture	Spectral Els.	Opt. Params.	Special Reqs.	Groups	Exp. Time (Total)/[Actual Dur.]	Orbit
	1	1411-1-606 W-1	(14) CL1411-1	ACS/WFC, ACCUM, WFCENTER	F606W	CR-SPLIT=NO; GAIN=2.0	POS TARG -0.1976, -0.016; LOW-SKY	Prime + Parallel Group 1-2 in 1411-1 (14)	370 Secs (370 Secs) [==>]	[1]
	2	par1411-1-6 06W-1	ANY	WFC3/UVIS, ACCUM, UVIS-CENTER	F606W	CR-SPLIT=NO		Prime + Parallel Group 1-2 in 1411-1 (14)	450 Secs (450 Secs) [==>]	[1]
	3	1411-1-606 W-2	(14) CL1411-1	ACS/WFC, ACCUM, WFCENTER	F606W	CR-SPLIT=NO; GAIN=2.0	POS TARG 0.2223,0 .018; LOW-SKY	Prime + Parallel Group 3-4 in 1411-1 (14)	670 Secs (670 Secs) [==>]	[1]
	4	par1411-1-6 06W-2	ANY	WFC3/UVIS, ACCUM, UVIS-CENTER	F606W	CR-SPLIT=NO		Prime + Parallel Group 3-4 in 1411-1 (14)	700 Secs (700 Secs) [==>]	[1]
	5	1411-1-606 W-3	(14) CL1411-1	ACS/WFC, ACCUM, WFCENTER	F606W	CR-SPLIT=NO; GAIN=2.0	POS TARG 0.1729,0 .2363; LOW-SKY	Prime + Parallel Group 5-6 in 1411-1 (14)	670 Secs (670 Secs) [==>]	[1]
	6	par1411-1-6 06W-3	ANY	WFC3/UVIS, ACCUM, UVIS-CENTER	F606W	CR-SPLIT=NO		Prime + Parallel Group 5-6 in 1411-1 (14)	700 Secs (700 Secs) [==>]	[1]
	7	1411-1-606 W-4	(14) CL1411-1	ACS/WFC, ACCUM, WFCENTER	F606W	CR-SPLIT=NO; GAIN=2.0	POS TARG 0.0,0.17 29; LOW-SKY	Prime + Parallel Group 7-8 in 1411-1 (14)	370 Secs (370 Secs) [==>]	[1]
	8	par1411-1-6 06W-4	ANY	WFC3/UVIS, ACCUM, UVIS-CENTER	F606W	CR-SPLIT=NO		Prime + Parallel Group 7-8 in 1411-1 (14)	450 Secs (450 Secs) [==>]	[1]
	9	1411-1-814 W-1	(14) CL1411-1	ACS/WFC, ACCUM, WFCENTER	F814W	CR-SPLIT=NO; GAIN=2.0	POS TARG -0.1976, -0.016; LOW-SKY	Prime + Parallel Group 9-10 in 1411-1 (14)	390 Secs (390 Secs) [==>]	[2]
	10	par1411-1-8 14W-1	ANY	WFC3/UVIS, ACCUM, UVIS-CENTER	F814W	CR-SPLIT=NO		Prime + Parallel Group 9-10 in 1411-1 (14)	450 Secs (450 Secs) [==>]	[2]
	11	1411-1-814 W-2	(14) CL1411-1	ACS/WFC, ACCUM, WFCENTER	F814W	CR-SPLIT=NO; GAIN=2.0	POS TARG 0.2223,0 .018; LOW-SKY	Prime + Parallel Group 11-12 in 1411-1 (14)	670 Secs (670 Secs) [==>]	[2]
	12	par1411-1-8 14W-2	ANY	WFC3/UVIS, ACCUM, UVIS-CENTER	F814W	CR-SPLIT=NO		Prime + Parallel Group 11-12 in 1411-1 (14)	700 Secs (700 Secs) [==>]	[2]
	13	1411-1-814 W-3	(14) CL1411-1	ACS/WFC, ACCUM, WFCENTER	F814W	CR-SPLIT=NO; GAIN=2.0	POS TARG 0.1729,0 .2363; LOW-SKY	Prime + Parallel Group 13-14 in 1411-1 (14)	670 Secs (670 Secs) [==>]	[2]
	14	par1411-1-8 14W-3	ANY	WFC3/UVIS, ACCUM, UVIS-CENTER	F814W	CR-SPLIT=NO		Prime + Parallel Group 13-14 in 1411-1 (14)	700 Secs (700 Secs) [==>]	[2]
	15	1411-1-814 W-4	(14) CL1411-1	ACS/WFC, ACCUM, WFCENTER	F814W	CR-SPLIT=NO; GAIN=2.0	POS TARG 0.0,0.17 29; LOW-SKY	Prime + Parallel Group 15-16 in 1411-1 (14)	380 Secs (380 Secs) [==>]	[2]
	16	par1411-1-8 14W-4	ANY	WFC3/UVIS, ACCUM, UVIS-CENTER	F814W	CR-SPLIT=NO		Prime + Parallel Group 15-16 in 1411-1 (14)	450 Secs (450 Secs) [==>]	[2]

Orbit 1



Orbit Structure



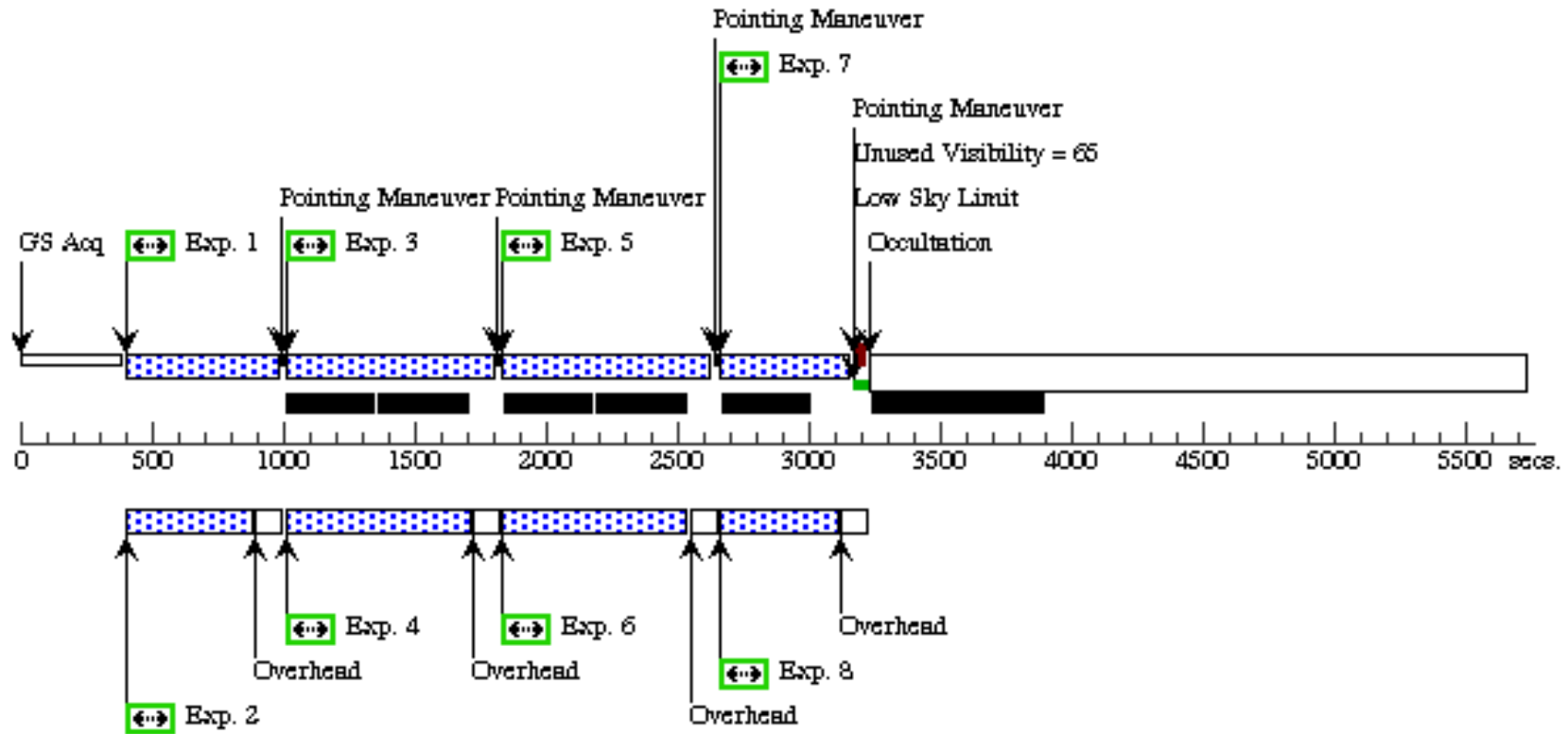
Proposal 13393 - 1411-2 (15) - Galaxy Transformation in the Infall Regions of Clusters

Visit	Proposal 13393, 1411-2 (15), implementation Sat Jun 15 01:32:23 GMT 2013 Diagnostic Status: No Diagnostics Scientific Instruments: WFC3/UVIS, ACS/WFC Special Requirements: (none)					
	Fixed Targets	#	Name	Target Coordinates	Targ. Coord. Corrections	Fluxes
(15)		CL1411-2	RA: 14 10 38.0000 (212.6583333d) Dec: -11 43 58.80 (-11.73300d) Equinox: J2000	Redshift: 0.52	V=22+/-1	Reference Frame: ICRS

Proposal 13393 - 1411-2 (15) - Galaxy Transformation in the Infall Regions of Clusters

Exposures	#	Label	Target	Config,Mode,Aperture	Spectral Els.	Opt. Params.	Special Reqs.	Groups	Exp. Time (Total)/[Actual Dur.]	Orbit
	1	1411-2-606 W-1	(15) CL1411-2	ACS/WFC, ACCUM, WFCENTER	F606W	CR-SPLIT=NO; GAIN=2.0	POS TARG -0.1976, -0.016; LOW-SKY	Prime + Parallel Group 1-2 in 1411-2 (15)	370 Secs (370 Secs) [==>]	[1]
	2	par1411-2-6 06W-1	ANY	WFC3/UVIS, ACCUM, UVIS-CENTER	F606W	CR-SPLIT=NO		Prime + Parallel Group 1-2 in 1411-2 (15)	450 Secs (450 Secs) [==>]	[1]
	3	1411-2-606 W-2	(15) CL1411-2	ACS/WFC, ACCUM, WFCENTER	F606W	CR-SPLIT=NO; GAIN=2.0	POS TARG 0.2223,0 .018; LOW-SKY	Prime + Parallel Group 3-4 in 1411-2 (15)	670 Secs (670 Secs) [==>]	[1]
	4	par1411-2-6 06W-2	ANY	WFC3/UVIS, ACCUM, UVIS-CENTER	F606W	CR-SPLIT=NO		Prime + Parallel Group 3-4 in 1411-2 (15)	700 Secs (700 Secs) [==>]	[1]
	5	1411-2-606 W-3	(15) CL1411-2	ACS/WFC, ACCUM, WFCENTER	F606W	CR-SPLIT=NO; GAIN=2.0	POS TARG 0.1729,0 .2363; LOW-SKY	Prime + Parallel Group 5-6 in 1411-2 (15)	670 Secs (670 Secs) [==>]	[1]
	6	par1411-2-6 06W-3	ANY	WFC3/UVIS, ACCUM, UVIS-CENTER	F606W	CR-SPLIT=NO		Prime + Parallel Group 5-6 in 1411-2 (15)	700 Secs (700 Secs) [==>]	[1]
	7	1411-2-606 W-4	(15) CL1411-2	ACS/WFC, ACCUM, WFCENTER	F606W	CR-SPLIT=NO; GAIN=2.0	POS TARG 0.0,0.17 29; LOW-SKY	Prime + Parallel Group 7-8 in 1411-2 (15)	370 Secs (370 Secs) [==>]	[1]
	8	par1411-2-6 06W-4	ANY	WFC3/UVIS, ACCUM, UVIS-CENTER	F606W	CR-SPLIT=NO		Prime + Parallel Group 7-8 in 1411-2 (15)	450 Secs (450 Secs) [==>]	[1]
	9	1411-2-814 W-1	(15) CL1411-2	ACS/WFC, ACCUM, WFCENTER	F814W	CR-SPLIT=NO; GAIN=2.0	POS TARG -0.1976, -0.016; LOW-SKY	Prime + Parallel Group 9-10 in 1411-2 (15)	390 Secs (390 Secs) [==>]	[2]
	10	par1411-2-8 14W-1	ANY	WFC3/UVIS, ACCUM, UVIS-CENTER	F814W	CR-SPLIT=NO		Prime + Parallel Group 9-10 in 1411-2 (15)	450 Secs (450 Secs) [==>]	[2]
	11	1411-2-814 W-2	(15) CL1411-2	ACS/WFC, ACCUM, WFCENTER	F814W	CR-SPLIT=NO; GAIN=2.0	POS TARG 0.2223,0 .018; LOW-SKY	Prime + Parallel Group 11-12 in 1411-2 (15)	670 Secs (670 Secs) [==>]	[2]
	12	par1411-2-8 14W-2	ANY	WFC3/UVIS, ACCUM, UVIS-CENTER	F814W	CR-SPLIT=NO		Prime + Parallel Group 11-12 in 1411-2 (15)	700 Secs (700 Secs) [==>]	[2]
	13	1411-2-814 W-3	(15) CL1411-2	ACS/WFC, ACCUM, WFCENTER	F814W	CR-SPLIT=NO; GAIN=2.0	POS TARG 0.1729,0 .2363; LOW-SKY	Prime + Parallel Group 13-14 in 1411-2 (15)	670 Secs (670 Secs) [==>]	[2]
	14	par1411-2-8 14W-3	ANY	WFC3/UVIS, ACCUM, UVIS-CENTER	F814W	CR-SPLIT=NO		Prime + Parallel Group 13-14 in 1411-2 (15)	700 Secs (700 Secs) [==>]	[2]
	15	1411-2-814 W-4	(15) CL1411-2	ACS/WFC, ACCUM, WFCENTER	F814W	CR-SPLIT=NO; GAIN=2.0	POS TARG 0.0,0.17 29; LOW-SKY	Prime + Parallel Group 15-16 in 1411-2 (15)	380 Secs (380 Secs) [==>]	[2]
	16	par1411-2-8 14W-4	ANY	WFC3/UVIS, ACCUM, UVIS-CENTER	F814W	CR-SPLIT=NO		Prime + Parallel Group 15-16 in 1411-2 (15)	450 Secs (450 Secs) [==>]	[2]

Orbit 1



Orbit Structure

