



13435 - Multiple populations in external globular clusters: the Fornax dSph, the LMC, and the SMC

Cycle: 21, Proposal Category: GO

(Availability Mode: SUPPORTED)

INVESTIGATORS

<i>Name</i>	<i>Institution</i>	<i>E-Mail</i>
Dr. Matteo Monelli (PI) (ESA Member) (Contact)	Instituto de Astrofisica de Canarias	monelli@iac.es
Dr. Antonio Aparicio (CoI) (ESA Member)	Instituto de Astrofisica de Canarias	aaj@iac.es
Dr. Martin Asplund (CoI)	Australian National University	martin@mso.anu.edu.au
Dr. Roberto Buonanno (CoI) (ESA Member)	Universita di Roma Tor Vergata	buonanno@coma.mporzio.astro.it
Dr. Ricardo Carrera (CoI) (ESA Member)	Instituto de Astrofisica de Canarias	rcarrera@iac.es
Dr. Santi Cassisi (CoI) (ESA Member)	INAF, Osservatorio Astronomico di Teramo	cassisi@oa-teramo.inaf.it
Mr. Andres del Pino Molina (CoI) (ESA Member)	Instituto de Astrofisica de Canarias	adpm@iac.es
Dr. Anna Fabiola Marino (CoI)	Australian National University	amarino@mso.anu.edu.au
Dr. Antonino Paolo Milone (CoI)	Australian National University	milone@mso.anu.edu.au
Dr. Adriano Pietrinferni (CoI) (ESA Member)	INAF, Osservatorio Astronomico di Teramo	pietrinferni@oa-teramo.inaf.it
Prof. Giampaolo Piotto (CoI) (ESA Member)	Universita degli Studi di Padova	giampaolo.piotto@unipd.it
Dr. Maurizio Salaris (CoI) (ESA Member)	Liverpool John Moores University	ms@astro.livjm.ac.uk
Dr. Luca Sbordone (CoI) (ESA Member)	Landessternwarte Heidelberg	lsbordon@lsw.uni-heidelberg.de
Dr. Peter B. Stetson (CoI)	Dominion Astrophysical Observatory	peter.stetson@nrc-cnrc.gc.ca
Dr. Achim Weiss (CoI) (ESA Member)	Max-Planck-Institut fur Astrophysik	weiss@mpa-garching.mpg.de

VISITS

<i>Visit</i>	<i>Targets used in Visit</i>	<i>Configurations used in Visit</i>	<i>Orbits Used</i>	<i>Last Orbit Planner Run</i>	<i>OP Current with Visit?</i>
01	(7) NGC-121	ACS/WFC WFC3/UVIS	1	13-Nov-2013 21:03:19.0	yes
02	(7) NGC-121	ACS/WFC WFC3/UVIS	1	13-Nov-2013 21:03:32.0	yes
03	(6) NAME-RET	ACS/WFC WFC3/UVIS	1	13-Nov-2013 21:03:44.0	yes
04	(4) NGC-1786	ACS/WFC WFC3/UVIS	1	13-Nov-2013 21:03:54.0	yes
05	(5) NGC-1898	ACS/WFC WFC3/UVIS	1	13-Nov-2013 21:04:05.0	yes
06	(2) ESO-356-SC-005 ANY	ACS/WFC WFC3/UVIS	1	13-Nov-2013 21:04:14.0	yes
07	(2) ESO-356-SC-005	ACS/WFC WFC3/UVIS	1	13-Nov-2013 21:04:23.0	yes
08	(2) ESO-356-SC-005	ACS/WFC WFC3/UVIS	1	13-Nov-2013 21:04:32.0	yes
09	(2) ESO-356-SC-005	ACS/WFC WFC3/UVIS	1	13-Nov-2013 21:04:41.0	yes
10	(2) ESO-356-SC-005	ACS/WFC WFC3/UVIS	1	13-Nov-2013 21:04:50.0	yes
11	(2) ESO-356-SC-005	ACS/WFC WFC3/UVIS	1	13-Nov-2013 21:04:59.0	yes

11 Total Orbits Used

ABSTRACT

The fact that the vast majority, if not all, Galactic globular clusters (GCs) host multiple stellar populations is nowadays commonly accepted, thanks to a well settled observational scenario. Nevertheless, these are relatively recent findings, that brushed away the classical idea that GCs are the closest approximation of simple stellar populations, formed by coeval and chemically homogeneous stars. Since GCs are among the oldest structures formed

in the Universe, and are relics of the first epochs of assembling of galaxies, and in particular of our Milky Way, understanding how GCs formed and their early evolution is important to shed light on giant galaxies formation. However, so far multiple populations have been searched only in Galactic old (> 10 Gyr) GCs. With this project we propose to extend such search to old clusters in nearby dwarf galaxies: the Fornax dSph, the LMC and the SMC. This will provide a valuable data set to compare with a ground base data for a large number of Galactic GCs collected by our group in the framework of the SUMO project. The main aim of this project is to verify if multiple populations exist in the GCs of these low mass galaxies, and to verify if their properties are similar to Galactic ones, or if the environment plays a significant role.

OBSERVING DESCRIPTION

This proposal targets 5 extragalactic globular clusters, namely in the LMC (3), SMC (1) and in the Fornax dSph (1). The observing strategy is very similar for all of them, repeating a 1-orbit visit with the WFC3 centered on the cluster, and the ACS in parallel.

In each orbit, we observe with the WFC3 in three filters: F336W, F438W, F814W (F475W, F814W for the parallel).

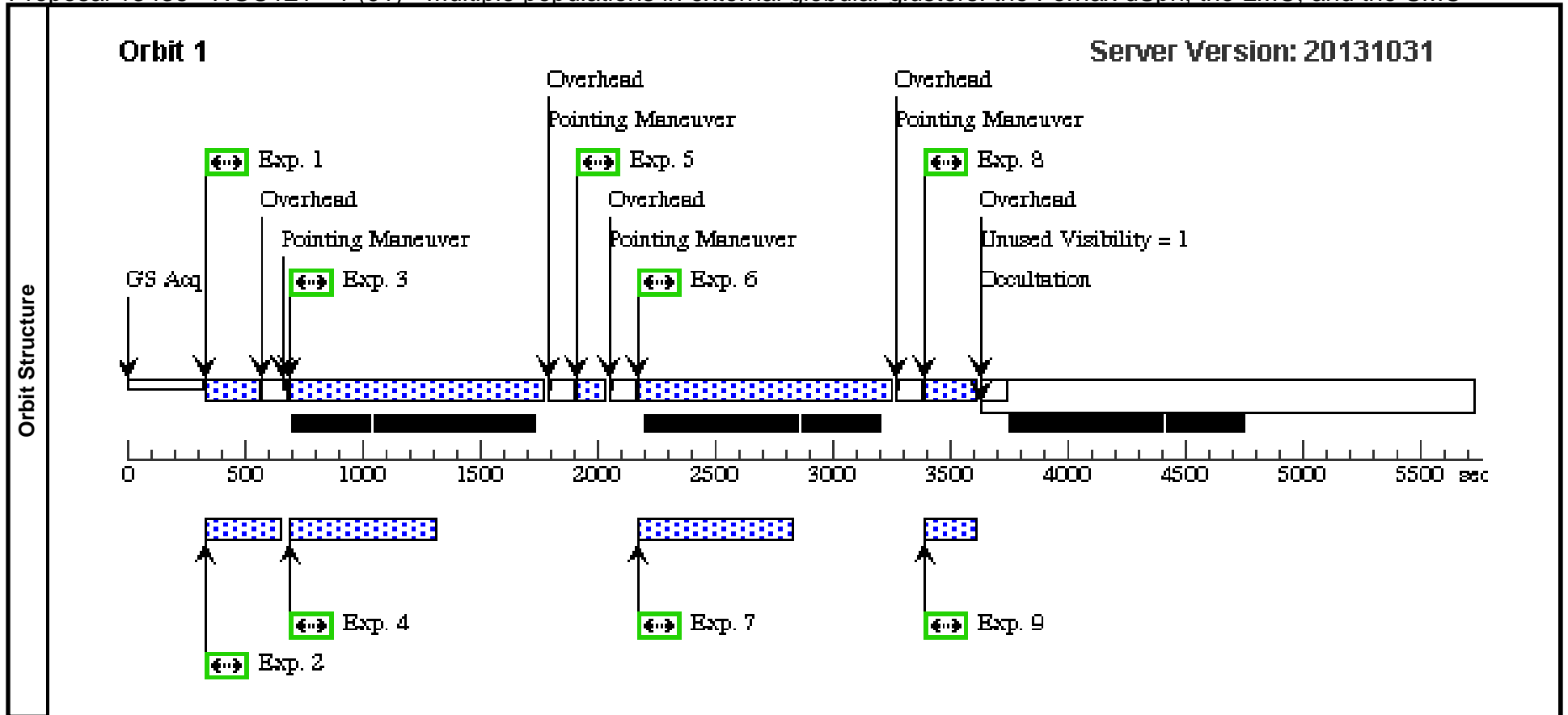
We introduced a small dithering pattern between individual exposures in each orbit, using the POS TARG keyword. The adopted ORIENT was selected in such a way to maximise the overlap with existing archive data and/or and to place the parallel field on scientifically relevant field of the host galaxy. We tried to have the best compromise with the schedulability of each field.

The three LMC clusters will be observed with one orbit each. The other two clusters were allocated 2 and 6 orbits. For them, we devise a strategy based on two pointings, observing half of the allocated orbits rotated by 180 degrees.

Proposal 13435 - NGC121 - 1 (01) - Multiple populations in external globular clusters: the Fornax dSph, the LMC, and the SMC

Thu Nov 14 02:05:09 GMT 2013

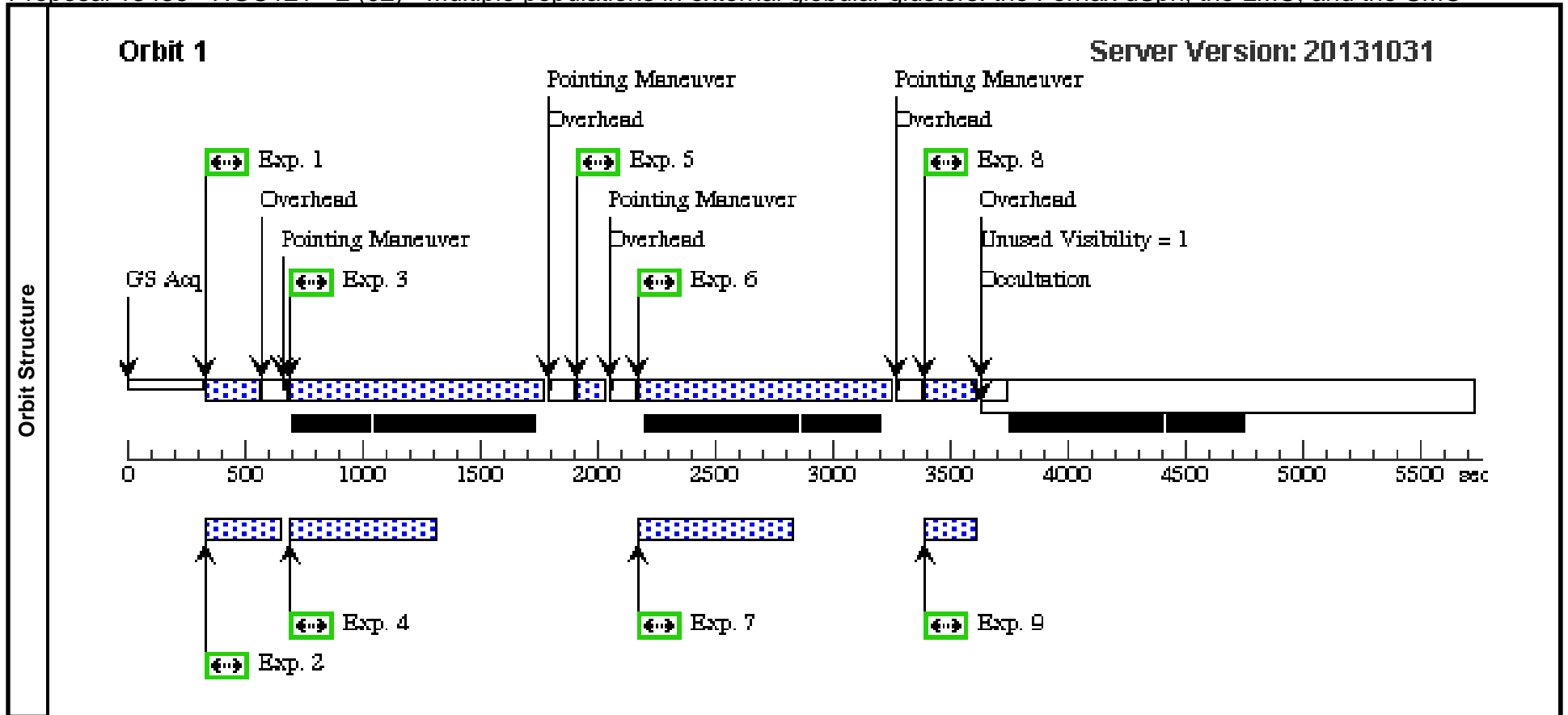
Visit	Proposal 13435, NGC121 - 1 (01), implementation Diagnostic Status: No Diagnostics Scientific Instruments: WFC3/UVIS, ACS/WFC Special Requirements: ORIENT 20D TO 40 D Comments: NGC121 orbit 1									
	Fixed Targets	#	Name	Target Coordinates	Targ. Coord. Corrections	Fluxes	Miscellaneous			
	(7)	NGC-121	RA: 00 26 49.0000 (6.7041667d) Dec: -71 32 10.00 (-71.53611d) Equinox: J2000			V=11.24	Reference Frame: SIMBAD			
	Comments: This object was generated by the targetselector and retrieved from the SIMBAD database.									
Exposures	#	Label	Target	Config,Mode,Aperture	Spectral Els.	Opt. Params.	Special Reqs.	Groups	Exp. Time (Total)/[Actual Dur.]	Orbit
	1	(7) NGC-121	(7) NGC-121	WFC3/UVIS, ACCUM, UVIS2	F438W	FLASH=8	POS TARG 1.4,-1.4	Prime + Parallel Group 1-2 in NGC121 - 1 (01)	200 Secs (200 Secs) [==>]	[1]
	2	(7) NGC-121	(7) NGC-121	ACS/WFC, ACCUM, WFC-FIX	F814W	FLASH=20		Prime + Parallel Group 1-2 in NGC121 - 1 (01)	100 Secs (100 Secs) [==>]	[1]
	3	(7) NGC-121	(7) NGC-121	WFC3/UVIS, ACCUM, UVIS2	F336W	FLASH=8	POS TARG 1.4,1.4	Prime + Parallel Group 3-4 in NGC121 - 1 (01)	1061 Secs (1061 Secs) [==>]	[1]
	4	(7) NGC-121	(7) NGC-121	ACS/WFC, ACCUM, WFC-FIX	F814W			Prime + Parallel Group 3-4 in NGC121 - 1 (01)	500 Secs (500 Secs) [==>]	[1]
	5	(7) NGC-121	(7) NGC-121	WFC3/UVIS, ACCUM, UVIS2	F814W	FLASH=8			100 Secs (100 Secs) [==>]	[1]
	6	(7) NGC-121	(7) NGC-121	WFC3/UVIS, ACCUM, UVIS2	F336W	FLASH=8	POS TARG -1.4,0	Prime + Parallel Group 6-7 in NGC121 - 1 (01)	1061 Secs (1061 Secs) [==>]	[1]
	7	(7) NGC-121	(7) NGC-121	ACS/WFC, ACCUM, WFC-FIX	F475W			Prime + Parallel Group 6-7 in NGC121 - 1 (01)	500 Secs (500 Secs) [==>]	[1]
	8	(7) NGC-121	(7) NGC-121	WFC3/UVIS, ACCUM, UVIS2	F438W	FLASH=8	POS TARG 0,1.4	Prime + Parallel Group 8-9 in NGC121 - 1 (01)	200 Secs (200 Secs) [==>]	[1]
	9	(7) NGC-121	(7) NGC-121	ACS/WFC, ACCUM, WFC-FIX	F475W	FLASH=20		Prime + Parallel Group 8-9 in NGC121 - 1 (01)	90 Secs (90 Secs) [==>]	[1]



Proposal 13435 - NGC121 - 2 (02) - Multiple populations in external globular clusters: the Fornax dSph, the LMC, and the SMC

Thu Nov 14 02:05:11 GMT 2013

Visit	Proposal 13435, NGC121 - 2 (02), implementation Diagnostic Status: No Diagnostics Scientific Instruments: WFC3/UVIS, ACS/WFC Special Requirements: ORIENT 200D TO 220 D Comments: NGC121 orbit 2									
	Fixed Targets	#	Name	Target Coordinates	Targ. Coord. Corrections	Fluxes	Miscellaneous			
	(7)	NGC-121	RA: 00 26 49.0000 (6.7041667d) Dec: -71 32 10.00 (-71.53611d) Equinox: J2000			V=11.24	Reference Frame: SIMBAD			
	Comments: This object was generated by the targetselector and retrieved from the SIMBAD database.									
Exposures	#	Label	Target	Config,Mode,Aperture	Spectral Els.	Opt. Params.	Special Reqs.	Groups	Exp. Time (Total)/[Actual Dur.]	Orbit
	1	(7) NGC-121	(7) NGC-121	WFC3/UVIS, ACCUM, UVIS1	F438W	FLASH=8	POS TARG 0,1,4	Prime + Parallel Group 1-2 in NGC121 - 2 (02)	200 Secs (200 Secs) [==>]	[1]
	2	(7) NGC-121	(7) NGC-121	ACS/WFC, ACCUM, WFC-FIX	F814W	FLASH=20		Prime + Parallel Group 1-2 in NGC121 - 2 (02)	100 Secs (100 Secs) [==>]	[1]
	3	(7) NGC-121	(7) NGC-121	WFC3/UVIS, ACCUM, UVIS1	F336W	FLASH=8	POS TARG -1.4,0	Prime + Parallel Group 3-4 in NGC121 - 2 (02)	1061 Secs (1061 Secs) [==>]	[1]
	4	(7) NGC-121	(7) NGC-121	ACS/WFC, ACCUM, WFC-FIX	F814W			Prime + Parallel Group 3-4 in NGC121 - 2 (02)	500 Secs (500 Secs) [==>]	[1]
	5	(7) NGC-121	(7) NGC-121	WFC3/UVIS, ACCUM, UVIS1	F814W	FLASH=8	POS TARG -1.4,-1.4		100 Secs (100 Secs) [==>]	[1]
	6	(7) NGC-121	(7) NGC-121	WFC3/UVIS, ACCUM, UVIS1	F336W	FLASH=8	POS TARG 1.4,1.4	Prime + Parallel Group 6-7 in NGC121 - 2 (02)	1061 Secs (1061 Secs) [==>]	[1]
	7	(7) NGC-121	(7) NGC-121	ACS/WFC, ACCUM, WFC-FIX	F475W			Prime + Parallel Group 6-7 in NGC121 - 2 (02)	500 Secs (500 Secs) [==>]	[1]
	8	(7) NGC-121	(7) NGC-121	WFC3/UVIS, ACCUM, UVIS1	F438W	FLASH=8	POS TARG 1.4,-1.4	Prime + Parallel Group 8-9 in NGC121 - 2 (02)	200 Secs (200 Secs) [==>]	[1]
	9	(7) NGC-121	(7) NGC-121	ACS/WFC, ACCUM, WFC-FIX	F475W	FLASH=20		Prime + Parallel Group 8-9 in NGC121 - 2 (02)	90 Secs (90 Secs) [==>]	[1]



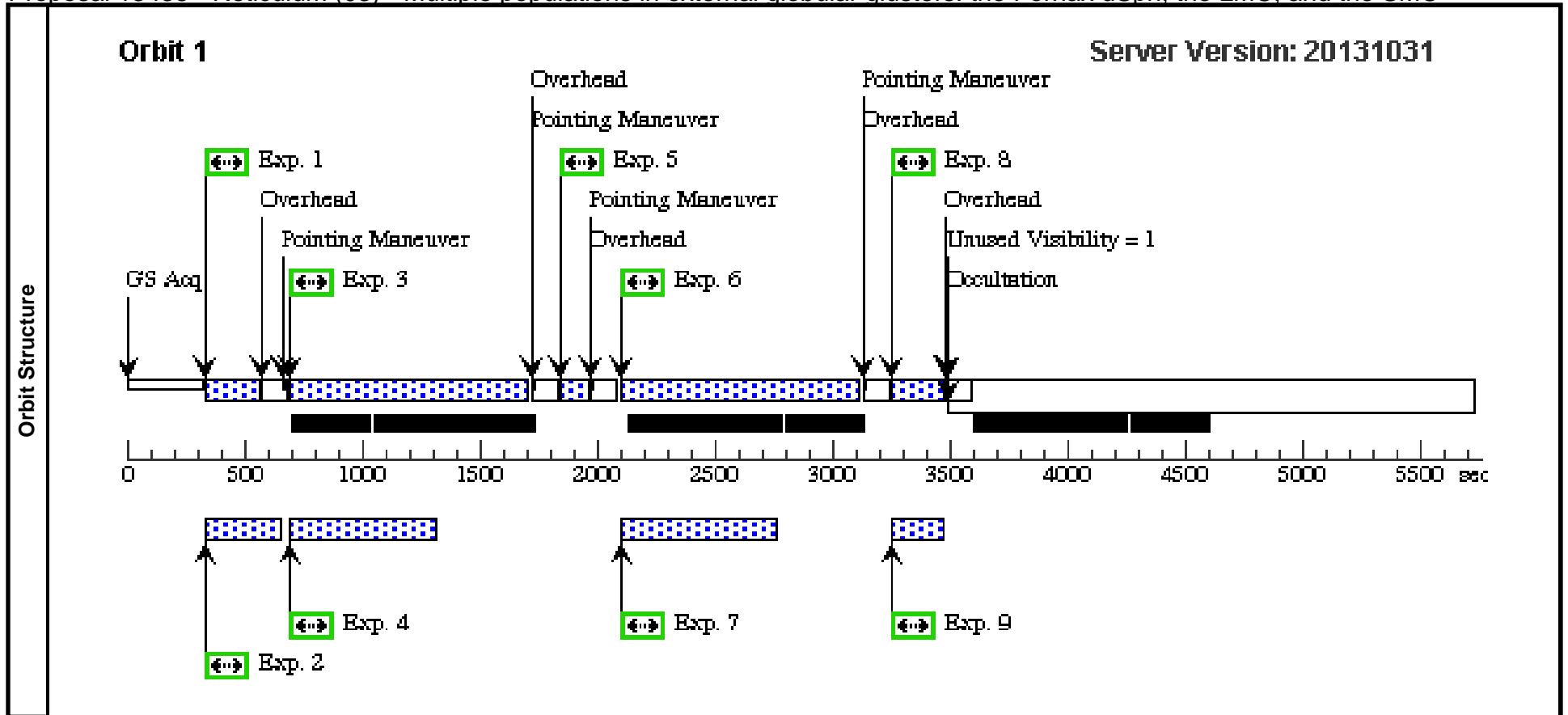
Proposal 13435 - Reticulum (03) - Multiple populations in external globular clusters: the Fornax dSph, the LMC, and the SMC

Thu Nov 14 02:05:13 GMT 2013

Visit	Proposal 13435, Reticulum (03), implementation				
	Diagnostic Status: No Diagnostics				
	Scientific Instruments: WFC3/UVIS, ACS/WFC				
	Special Requirements: ORIENT 230D TO 260 D				
<i>Comments: Reticulum</i>					

Fixed Targets	#	Name	Target Coordinates	Targ. Coord. Corrections	Fluxes	Miscellaneous
	(6)	NAME-RET	RA: 04 36 11.4000 (69.0475000d) Dec: -58 51 47.00 (-58.86306d) Equinox: J2000		V=14.25	Reference Frame: SIMBAD
<i>Comments: This object was generated by the targetselector and retrieved from the SIMBAD database.</i>						

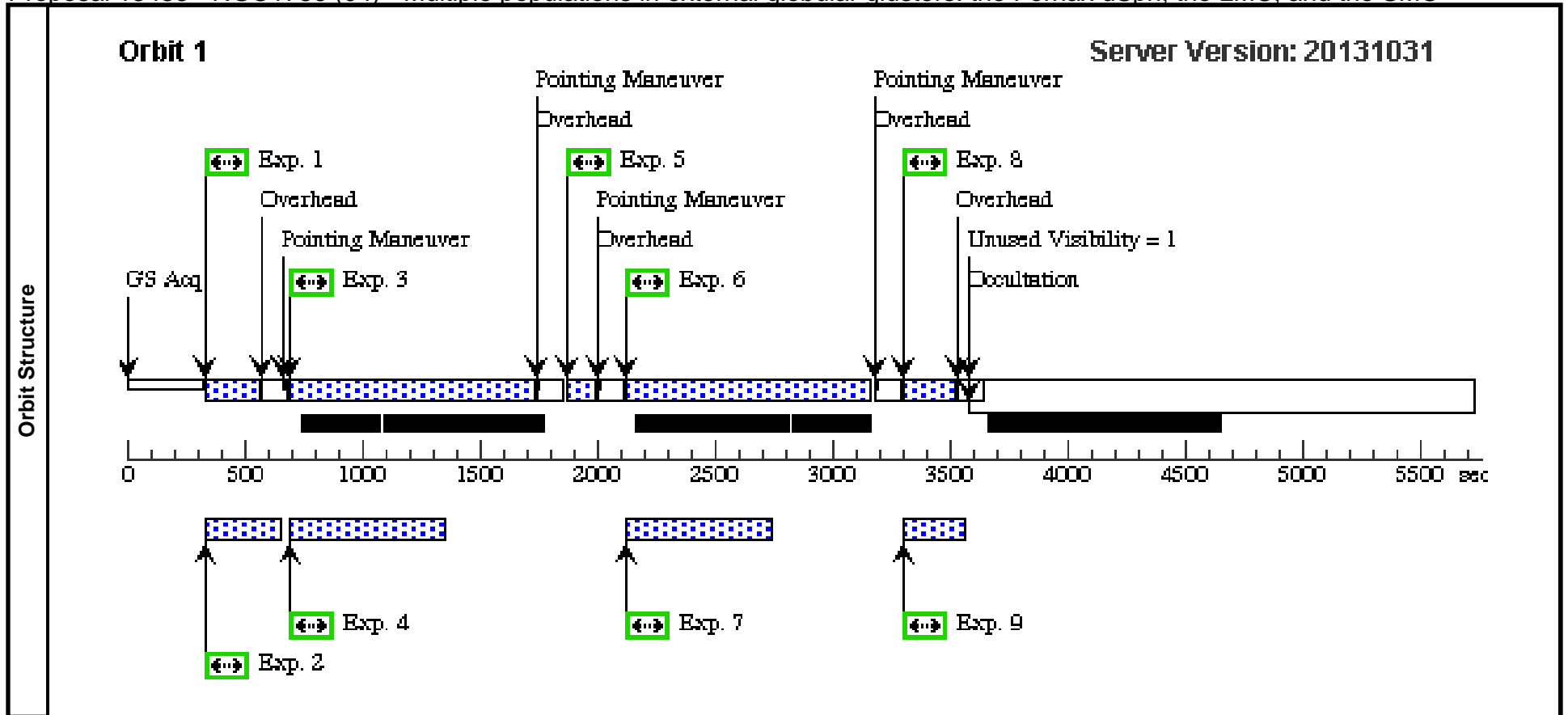
Exposures	#	Label	Target	Config,Mode,Aperture	Spectral Els.	Opt. Params.	Special Reqs.	Groups	Exp. Time (Total)/[Actual Dur.]	Orbit
	1	(6) NAME-RET	(6) NAME-RET	WFC3/UVIS, ACCUM, UVIS-CENTER	F438W	FLASH=8	POS TARG 0,1,4	Prime + Parallel Group 1-2 in Reticulum (03)	200 Secs (200 Secs) [==>]	[1]
	2	(6) NAME-RET	(6) NAME-RET	ACS/WFC, ACCUM, WFC-FIX	F814W	FLASH=20		Prime + Parallel Group 1-2 in Reticulum (03)	100 Secs (100 Secs) [==>]	[1]
	3	(6) NAME-RET	(6) NAME-RET	WFC3/UVIS, ACCUM, UVIS-CENTER	F336W	FLASH=8	POS TARG -1.4,0	Prime + Parallel Group 3-4 in Reticulum (03)	989 Secs (989 Secs) [==>]	[1]
	4	(6) NAME-RET	(6) NAME-RET	ACS/WFC, ACCUM, WFC-FIX	F814W			Prime + Parallel Group 3-4 in Reticulum (03)	500 Secs (500 Secs) [==>]	[1]
	5	(6) NAME-RET	(6) NAME-RET	WFC3/UVIS, ACCUM, UVIS-CENTER	F814W	FLASH=8	POS TARG -1.4,-1.4		100 Secs (100 Secs) [==>]	[1]
	6	(6) NAME-RET	(6) NAME-RET	WFC3/UVIS, ACCUM, UVIS-CENTER	F336W	FLASH=8	POS TARG 1.4,1.4	Prime + Parallel Group 6-7 in Reticulum (03)	989 Secs (989 Secs) [==>]	[1]
	7	(6) NAME-RET	(6) NAME-RET	ACS/WFC, ACCUM, WFC-FIX	F475W			Prime + Parallel Group 6-7 in Reticulum (03)	500 Secs (500 Secs) [==>]	[1]
	8	(6) NAME-RET	(6) NAME-RET	WFC3/UVIS, ACCUM, UVIS-CENTER	F438W	FLASH=8	POS TARG 1.4,-1.4	Prime + Parallel Group 8-9 in Reticulum (03)	200 Secs (200 Secs) [==>]	[1]
	9	(6) NAME-RET	(6) NAME-RET	ACS/WFC, ACCUM, WFC-FIX	F475W	FLASH=20		Prime + Parallel Group 8-9 in Reticulum (03)	90 Secs (90 Secs) [==>]	[1]



Proposal 13435 - NGC1786 (04) - Multiple populations in external globular clusters: the Fornax dSph, the LMC, and the SMC

Thu Nov 14 02:05:14 GMT 2013

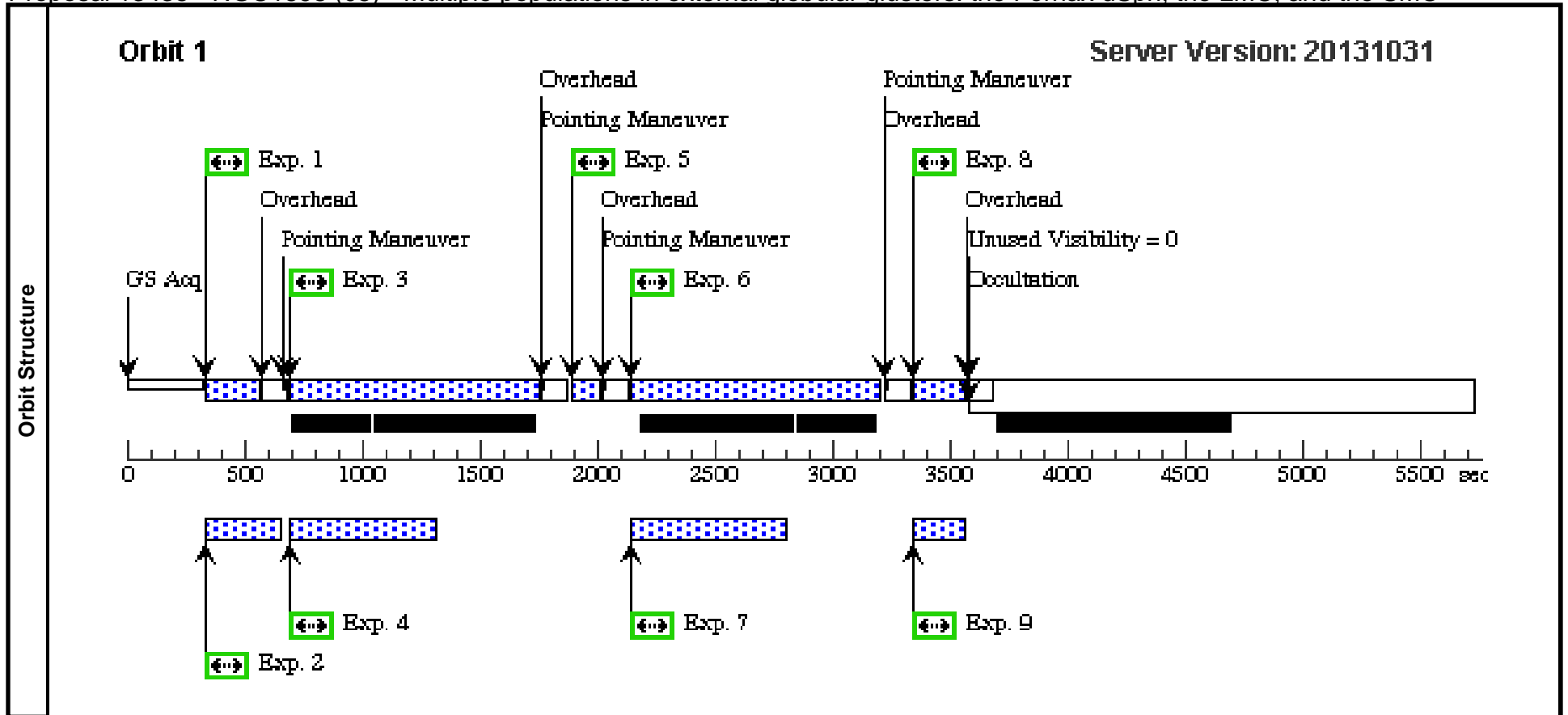
Visit	Proposal 13435, NGC1786 (04), implementation Diagnostic Status: No Diagnostics Scientific Instruments: WFC3/UVIS, ACS/WFC Special Requirements: ORIENT 150D TO 210 D; ORIENT 300D TO 360 D Comments: NGC1786																																																																																																													
	Fixed Targets	<table border="1"> <thead> <tr> <th>#</th> <th>Name</th> <th>Target Coordinates</th> <th>Targ. Coord. Corrections</th> <th>Fluxes</th> <th>Miscellaneous</th> </tr> </thead> <tbody> <tr> <td>(4)</td> <td>NGC-1786</td> <td>RA: 04 59 7.8000 (74.7825000d) Dec: -67 44 43.00 (-67.74528d) Equinox: J2000</td> <td></td> <td>V=10.88</td> <td>Reference Frame: SIMBAD</td> </tr> <tr> <td colspan="6">Comments: This object was generated by the targetselector and retrieved from the SIMBAD database.</td> </tr> </tbody> </table>									#	Name	Target Coordinates	Targ. Coord. Corrections	Fluxes	Miscellaneous	(4)	NGC-1786	RA: 04 59 7.8000 (74.7825000d) Dec: -67 44 43.00 (-67.74528d) Equinox: J2000		V=10.88	Reference Frame: SIMBAD	Comments: This object was generated by the targetselector and retrieved from the SIMBAD database.																																																																																							
#	Name	Target Coordinates	Targ. Coord. Corrections	Fluxes	Miscellaneous																																																																																																									
(4)	NGC-1786	RA: 04 59 7.8000 (74.7825000d) Dec: -67 44 43.00 (-67.74528d) Equinox: J2000		V=10.88	Reference Frame: SIMBAD																																																																																																									
Comments: This object was generated by the targetselector and retrieved from the SIMBAD database.																																																																																																														
Exposures	<table border="1"> <thead> <tr> <th>#</th> <th>Label</th> <th>Target</th> <th>Config,Mode,Aperture</th> <th>Spectral Els.</th> <th>Opt. Params.</th> <th>Special Reqs.</th> <th>Groups</th> <th>Exp. Time (Total)/[Actual Dur.]</th> <th>Orbit</th> </tr> </thead> <tbody> <tr> <td>1</td> <td>(4) NGC-1786</td> <td>(4) NGC-1786</td> <td>WFC3/UVIS, ACCUM, UVIS1</td> <td>F438W</td> <td>FLASH=8</td> <td>POS TARG 0,+1.4</td> <td>Prime + Parallel Group 1-2 in NGC1786 (04)</td> <td>200 Secs (200 Secs) [==>]</td> <td>[1]</td> </tr> <tr> <td>2</td> <td>(4) NGC-1786</td> <td>(4) NGC-1786</td> <td>ACS/WFC, ACCUM, WFC-FIX</td> <td>F814W</td> <td>FLASH=20</td> <td></td> <td>Prime + Parallel Group 1-2 in NGC1786 (04)</td> <td>100 Secs (100 Secs) [==>]</td> <td>[1]</td> </tr> <tr> <td>3</td> <td>(4) NGC-1786</td> <td>(4) NGC-1786</td> <td>WFC3/UVIS, ACCUM, UVIS1</td> <td>F336W</td> <td>FLASH=8</td> <td>POS TARG -1.4,0</td> <td>Prime + Parallel Group 3-4 in NGC1786 (04)</td> <td>1015 Secs (1015 Secs) [==>]</td> <td>[1]</td> </tr> <tr> <td>4</td> <td>(4) NGC-1786</td> <td>(4) NGC-1786</td> <td>ACS/WFC, ACCUM, WFC-FIX</td> <td>F475W</td> <td></td> <td></td> <td>Prime + Parallel Group 3-4 in NGC1786 (04)</td> <td>500 Secs (500 Secs) [==>]</td> <td>[1]</td> </tr> <tr> <td>5</td> <td>(4) NGC-1786</td> <td>(4) NGC-1786</td> <td>WFC3/UVIS, ACCUM, UVIS1</td> <td>F814W</td> <td>FLASH=8</td> <td>POS TARG -1.4,-1.4</td> <td></td> <td>100 Secs (100 Secs) [==>]</td> <td>[1]</td> </tr> <tr> <td>6</td> <td>(4) NGC-1786</td> <td>(4) NGC-1786</td> <td>WFC3/UVIS, ACCUM, UVIS1</td> <td>F336W</td> <td>FLASH=8</td> <td>POS TARG +1.4,+1.4</td> <td>Prime + Parallel Group 6-7 in NGC1786 (04)</td> <td>1015 Secs (1015 Secs) [==>]</td> <td>[1]</td> </tr> <tr> <td>7</td> <td>(4) NGC-1786</td> <td>(4) NGC-1786</td> <td>ACS/WFC, ACCUM, WFC-FIX</td> <td>F475W</td> <td></td> <td></td> <td>Prime + Parallel Group 6-7 in NGC1786 (04)</td> <td>500 Secs (500 Secs) [==>]</td> <td>[1]</td> </tr> <tr> <td>8</td> <td>(4) NGC-1786</td> <td>(4) NGC-1786</td> <td>WFC3/UVIS, ACCUM, UVIS1</td> <td>F438W</td> <td>FLASH=8</td> <td>POS TARG +1.4,-1.4</td> <td>Prime + Parallel Group 8-9 in NGC1786 (04)</td> <td>200 Secs (200 Secs) [==>]</td> <td>[1]</td> </tr> <tr> <td>9</td> <td>(4) NGC-1786</td> <td>(4) NGC-1786</td> <td>ACS/WFC, ACCUM, WFC-FIX</td> <td>F814W</td> <td>FLASH=20</td> <td></td> <td>Prime + Parallel Group 8-9 in NGC1786 (04)</td> <td>90 Secs (90 Secs) [==>]</td> <td>[1]</td> </tr> </tbody> </table>										#	Label	Target	Config,Mode,Aperture	Spectral Els.	Opt. Params.	Special Reqs.	Groups	Exp. Time (Total)/[Actual Dur.]	Orbit	1	(4) NGC-1786	(4) NGC-1786	WFC3/UVIS, ACCUM, UVIS1	F438W	FLASH=8	POS TARG 0,+1.4	Prime + Parallel Group 1-2 in NGC1786 (04)	200 Secs (200 Secs) [==>]	[1]	2	(4) NGC-1786	(4) NGC-1786	ACS/WFC, ACCUM, WFC-FIX	F814W	FLASH=20		Prime + Parallel Group 1-2 in NGC1786 (04)	100 Secs (100 Secs) [==>]	[1]	3	(4) NGC-1786	(4) NGC-1786	WFC3/UVIS, ACCUM, UVIS1	F336W	FLASH=8	POS TARG -1.4,0	Prime + Parallel Group 3-4 in NGC1786 (04)	1015 Secs (1015 Secs) [==>]	[1]	4	(4) NGC-1786	(4) NGC-1786	ACS/WFC, ACCUM, WFC-FIX	F475W			Prime + Parallel Group 3-4 in NGC1786 (04)	500 Secs (500 Secs) [==>]	[1]	5	(4) NGC-1786	(4) NGC-1786	WFC3/UVIS, ACCUM, UVIS1	F814W	FLASH=8	POS TARG -1.4,-1.4		100 Secs (100 Secs) [==>]	[1]	6	(4) NGC-1786	(4) NGC-1786	WFC3/UVIS, ACCUM, UVIS1	F336W	FLASH=8	POS TARG +1.4,+1.4	Prime + Parallel Group 6-7 in NGC1786 (04)	1015 Secs (1015 Secs) [==>]	[1]	7	(4) NGC-1786	(4) NGC-1786	ACS/WFC, ACCUM, WFC-FIX	F475W			Prime + Parallel Group 6-7 in NGC1786 (04)	500 Secs (500 Secs) [==>]	[1]	8	(4) NGC-1786	(4) NGC-1786	WFC3/UVIS, ACCUM, UVIS1	F438W	FLASH=8	POS TARG +1.4,-1.4	Prime + Parallel Group 8-9 in NGC1786 (04)	200 Secs (200 Secs) [==>]	[1]	9	(4) NGC-1786	(4) NGC-1786	ACS/WFC, ACCUM, WFC-FIX	F814W	FLASH=20		Prime + Parallel Group 8-9 in NGC1786 (04)	90 Secs (90 Secs) [==>]	[1]
#	Label	Target	Config,Mode,Aperture	Spectral Els.	Opt. Params.	Special Reqs.	Groups	Exp. Time (Total)/[Actual Dur.]	Orbit																																																																																																					
1	(4) NGC-1786	(4) NGC-1786	WFC3/UVIS, ACCUM, UVIS1	F438W	FLASH=8	POS TARG 0,+1.4	Prime + Parallel Group 1-2 in NGC1786 (04)	200 Secs (200 Secs) [==>]	[1]																																																																																																					
2	(4) NGC-1786	(4) NGC-1786	ACS/WFC, ACCUM, WFC-FIX	F814W	FLASH=20		Prime + Parallel Group 1-2 in NGC1786 (04)	100 Secs (100 Secs) [==>]	[1]																																																																																																					
3	(4) NGC-1786	(4) NGC-1786	WFC3/UVIS, ACCUM, UVIS1	F336W	FLASH=8	POS TARG -1.4,0	Prime + Parallel Group 3-4 in NGC1786 (04)	1015 Secs (1015 Secs) [==>]	[1]																																																																																																					
4	(4) NGC-1786	(4) NGC-1786	ACS/WFC, ACCUM, WFC-FIX	F475W			Prime + Parallel Group 3-4 in NGC1786 (04)	500 Secs (500 Secs) [==>]	[1]																																																																																																					
5	(4) NGC-1786	(4) NGC-1786	WFC3/UVIS, ACCUM, UVIS1	F814W	FLASH=8	POS TARG -1.4,-1.4		100 Secs (100 Secs) [==>]	[1]																																																																																																					
6	(4) NGC-1786	(4) NGC-1786	WFC3/UVIS, ACCUM, UVIS1	F336W	FLASH=8	POS TARG +1.4,+1.4	Prime + Parallel Group 6-7 in NGC1786 (04)	1015 Secs (1015 Secs) [==>]	[1]																																																																																																					
7	(4) NGC-1786	(4) NGC-1786	ACS/WFC, ACCUM, WFC-FIX	F475W			Prime + Parallel Group 6-7 in NGC1786 (04)	500 Secs (500 Secs) [==>]	[1]																																																																																																					
8	(4) NGC-1786	(4) NGC-1786	WFC3/UVIS, ACCUM, UVIS1	F438W	FLASH=8	POS TARG +1.4,-1.4	Prime + Parallel Group 8-9 in NGC1786 (04)	200 Secs (200 Secs) [==>]	[1]																																																																																																					
9	(4) NGC-1786	(4) NGC-1786	ACS/WFC, ACCUM, WFC-FIX	F814W	FLASH=20		Prime + Parallel Group 8-9 in NGC1786 (04)	90 Secs (90 Secs) [==>]	[1]																																																																																																					

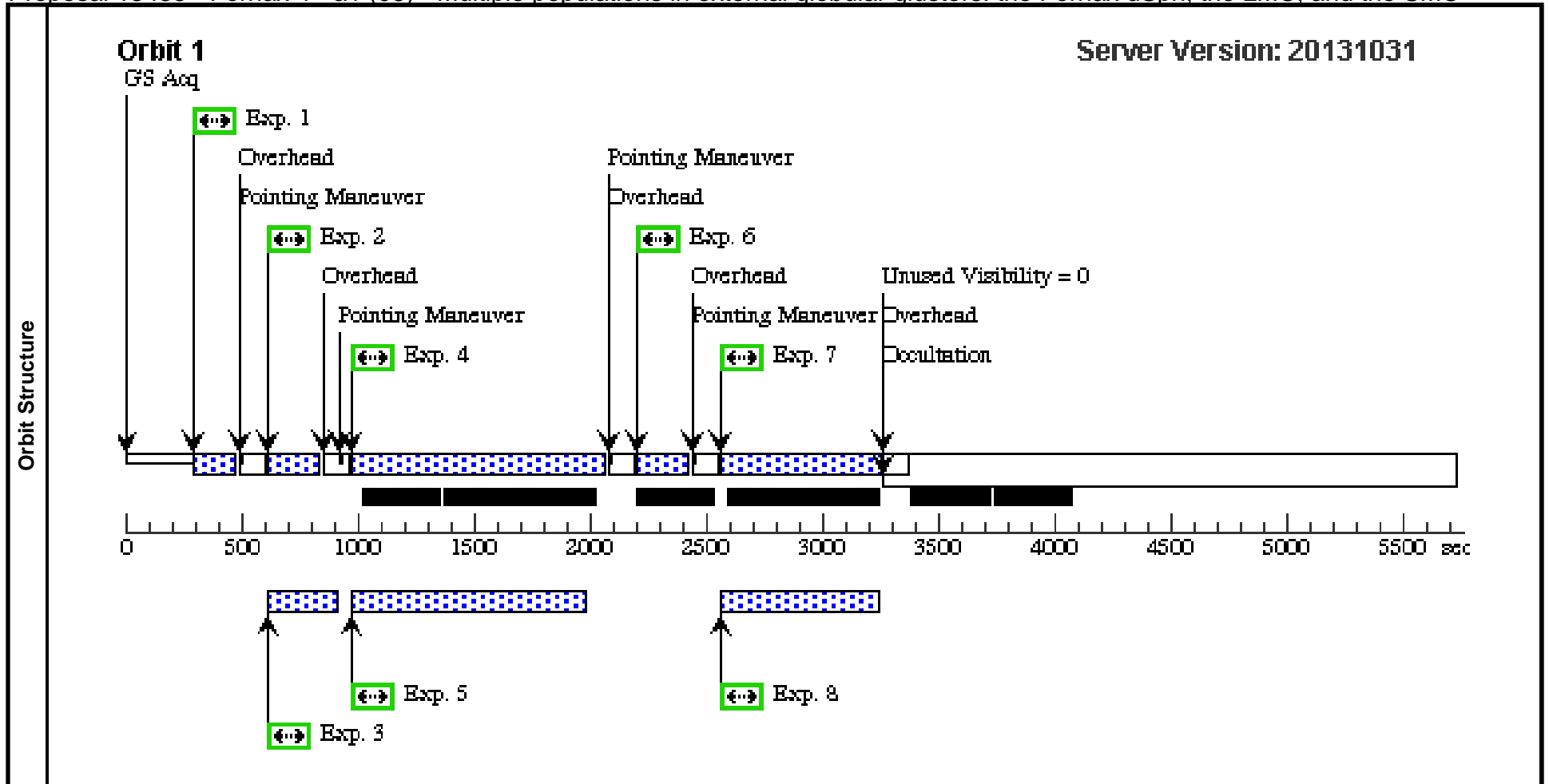


Proposal 13435 - NGC1898 (05) - Multiple populations in external globular clusters: the Fornax dSph, the LMC, and the SMC

Thu Nov 14 02:05:15 GMT 2013

Visit	Proposal 13435, NGC1898 (05), implementation Diagnostic Status: No Diagnostics Scientific Instruments: WFC3/UVIS, ACS/WFC Special Requirements: ORIENT 280D TO 100 D Comments: NGC1898									
	Fixed Targets	#	Name	Target Coordinates	Targ. Coord. Corrections	Fluxes	Miscellaneous			
	(5)	NGC-1898	RA: 05 16 41.2400 (79.1718333d) Dec: -69 39 24.40 (-69.65678d) Equinox: J2000		V=11.86	Reference Frame: SIMBAD				
	Comments: This object was generated by the targetselector and retrieved from the SIMBAD database.									
Exposures	#	Label	Target	Config,Mode,Aperture	Spectral Els.	Opt. Params.	Special Reqs.	Groups	Exp. Time (Total)/[Actual Dur.]	Orbit
	1	(5) NGC-1898	WFC3/UVIS, ACCUM, UVIS1	F438W	FLASH=8	POS TARG 0,1,4	Prime + Parallel Group 1-2 in NGC1898 (05)	200 Secs (200 Secs) [==>]	[1]	
	2	(5) NGC-1898	ACS/WFC, ACCUM, WFC-FIX	F814W	FLASH=20		Prime + Parallel Group 1-2 in NGC1898 (05)	100 Secs (100 Secs) [==>]	[1]	
	3	(5) NGC-1898	WFC3/UVIS, ACCUM, UVIS1	F336W	FLASH=8	POS TARG -1.4,0	Prime + Parallel Group 3-4 in NGC1898 (05)	1035 Secs (1035 Secs) [==>]	[1]	
	4	(5) NGC-1898	ACS/WFC, ACCUM, WFC-FIX	F814W			Prime + Parallel Group 3-4 in NGC1898 (05)	500 Secs (500 Secs) [==>]	[1]	
	5	(5) NGC-1898	WFC3/UVIS, ACCUM, UVIS1	F814W	FLASH=8	POS TARG -1.4,-1.4		100 Secs (100 Secs) [==>]	[1]	
	6	(5) NGC-1898	WFC3/UVIS, ACCUM, UVIS1	F336W	FLASH=8	POS TARG 1.4,1.4	Prime + Parallel Group 6-7 in NGC1898 (05)	1035 Secs (1035 Secs) [==>]	[1]	
	7	(5) NGC-1898	ACS/WFC, ACCUM, WFC-FIX	F475W			Prime + Parallel Group 6-7 in NGC1898 (05)	500 Secs (500 Secs) [==>]	[1]	
	8	(5) NGC-1898	WFC3/UVIS, ACCUM, UVIS1	F438W	FLASH=8	POS TARG 1.4,-1.4	Prime + Parallel Group 8-9 in NGC1898 (05)	200 Secs (200 Secs) [==>]	[1]	
	9	(5) NGC-1898	ACS/WFC, ACCUM, WFC-FIX	F475W	FLASH=20		Prime + Parallel Group 8-9 in NGC1898 (05)	90 Secs (90 Secs) [==>]	[1]	

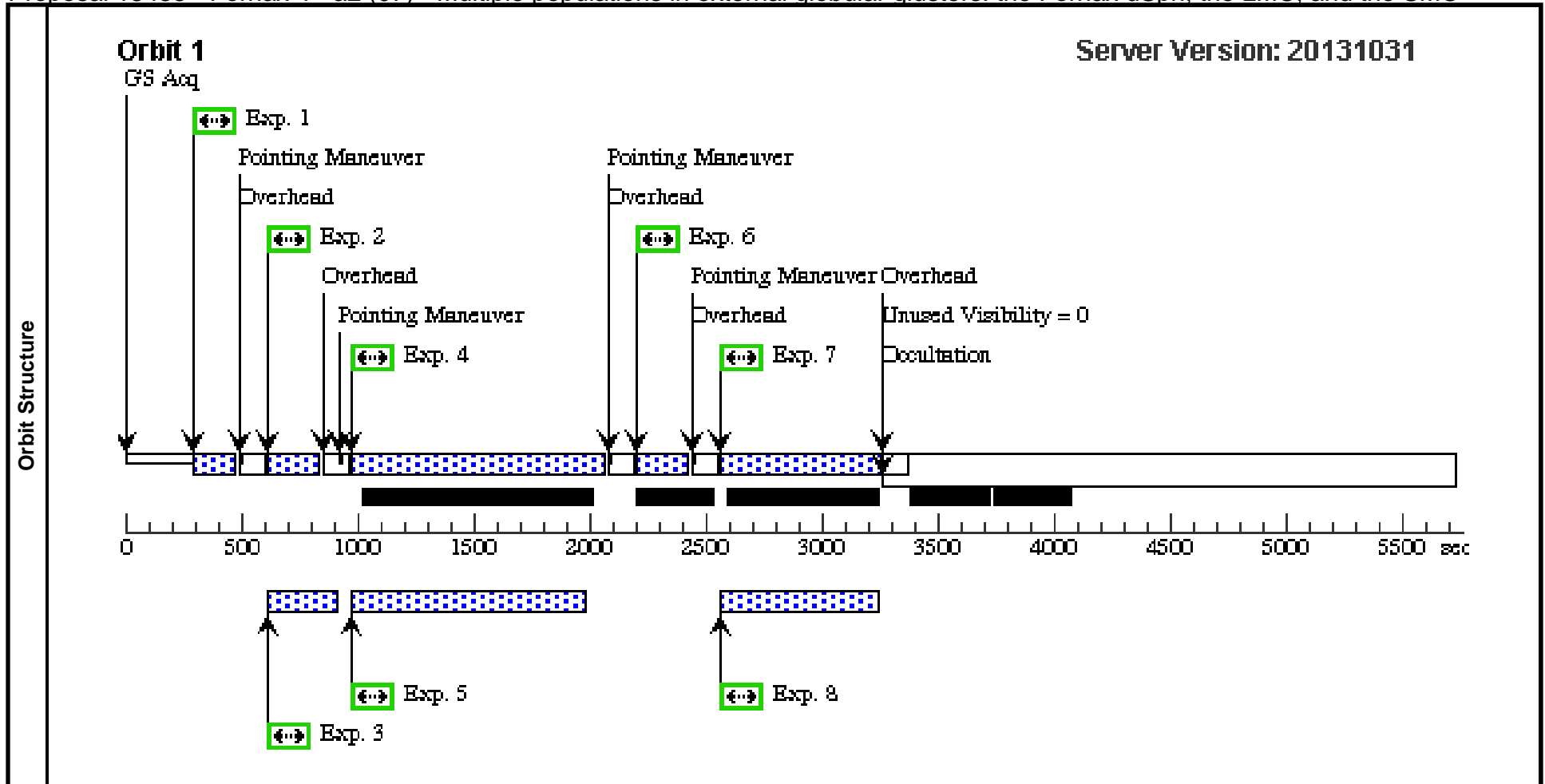




Proposal 13435 - Fornax 4 - a2 (07) - Multiple populations in external globular clusters: the Fornax dSph, the LMC, and the SMC

Thu Nov 14 02:05:16 GMT 2013

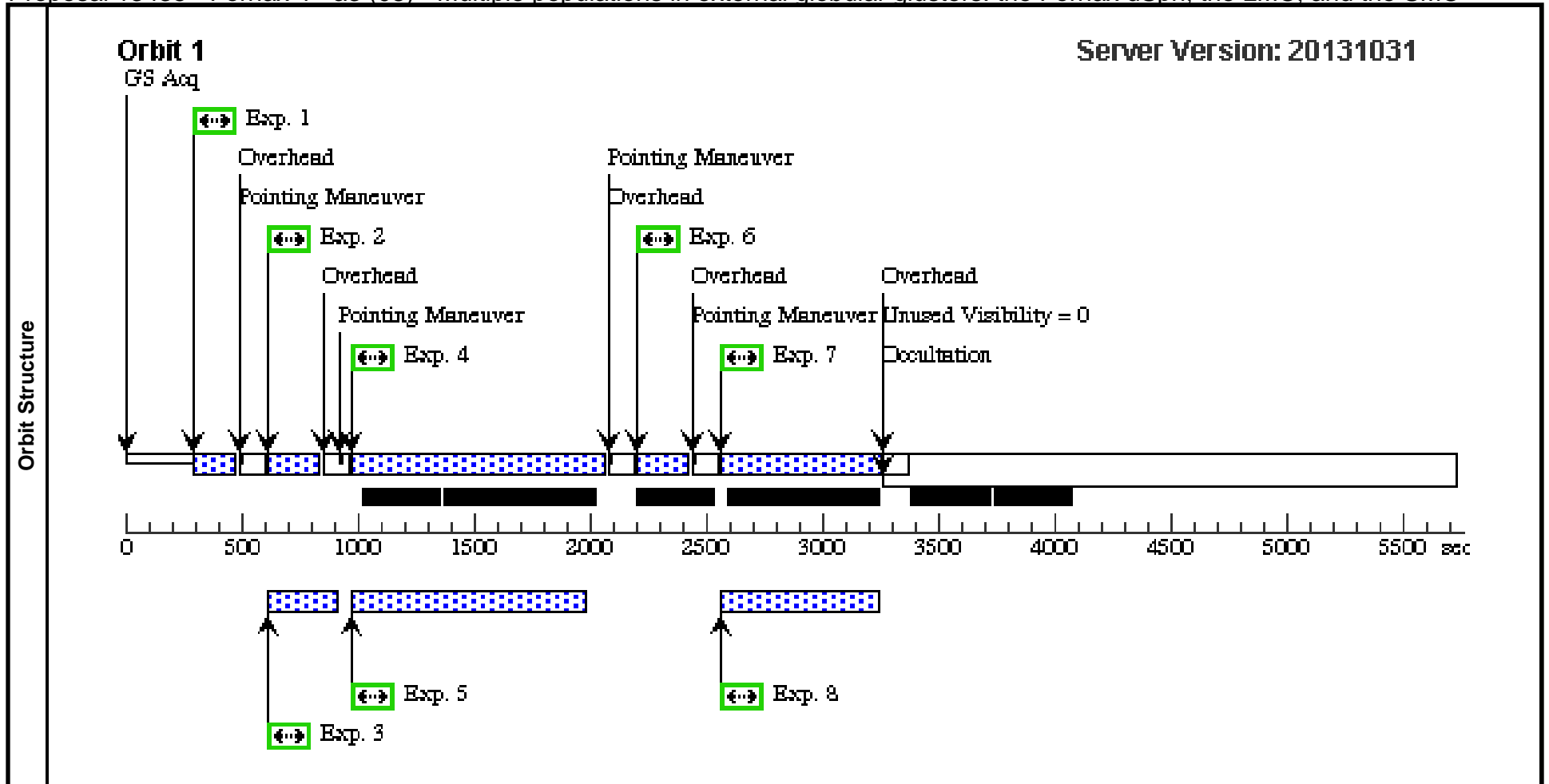
Visit	Proposal 13435, Fornax 4 - a2 (07), implementation Diagnostic Status: No Diagnostics Scientific Instruments: WFC3/UVIS, ACS/WFC Special Requirements: SAME ORIENT AS 06 Comments: Fornax 4 orbit 2																																																																																																			
	Fixed Targets	<table border="1"> <thead> <tr> <th>#</th> <th>Name</th> <th>Target Coordinates</th> <th>Targ. Coord. Corrections</th> <th>Fluxes</th> <th>Miscellaneous</th> </tr> </thead> <tbody> <tr> <td>(2)</td> <td>ESO-356-SC-005</td> <td>RA: 02 40 7.7112 (40.0321300d) Dec: -34 32 10.61 (-34.53628d) Equinox: J2000</td> <td></td> <td>V=13.3</td> <td>Reference Frame: NED</td> </tr> <tr> <td colspan="6">Comments: This object was generated by the targetselector and retrieved from the NED database.</td> </tr> </tbody> </table>										#	Name	Target Coordinates	Targ. Coord. Corrections	Fluxes	Miscellaneous	(2)	ESO-356-SC-005	RA: 02 40 7.7112 (40.0321300d) Dec: -34 32 10.61 (-34.53628d) Equinox: J2000		V=13.3	Reference Frame: NED	Comments: This object was generated by the targetselector and retrieved from the NED database.																																																																												
#	Name	Target Coordinates	Targ. Coord. Corrections	Fluxes	Miscellaneous																																																																																															
(2)	ESO-356-SC-005	RA: 02 40 7.7112 (40.0321300d) Dec: -34 32 10.61 (-34.53628d) Equinox: J2000		V=13.3	Reference Frame: NED																																																																																															
Comments: This object was generated by the targetselector and retrieved from the NED database.																																																																																																				
Exposures	<table border="1"> <thead> <tr> <th>#</th> <th>Label</th> <th>Target</th> <th>Config,Mode,Aperture</th> <th>Spectral Els.</th> <th>Opt. Params.</th> <th>Special Reqs.</th> <th>Groups</th> <th>Exp. Time (Total)/[Actual Dur.]</th> <th>Orbit</th> </tr> </thead> <tbody> <tr> <td>1</td> <td>(2) ESO-356-SC-005</td> <td>WFC3/UVIS, ACCUM, UVIS2</td> <td>F814W</td> <td>FLASH=8</td> <td>POS TARG -1.4,-1.4</td> <td></td> <td></td> <td>150 Secs (150 Secs) [==>]</td> <td>[1]</td> </tr> <tr> <td>2</td> <td>(2) ESO-356-SC-005</td> <td>WFC3/UVIS, ACCUM, UVIS2</td> <td>F438W</td> <td>FLASH=8</td> <td>POS TARG 0,1.4</td> <td>Prime + Parallel Group 2-3 in Fornax 4 - a2 (07)</td> <td></td> <td>200 Secs (200 Secs) [==>]</td> <td>[1]</td> </tr> <tr> <td>3</td> <td>(2) ESO-356-SC-005</td> <td>ACS/WFC, ACCUM, WFC-FIX</td> <td>F475W</td> <td>FLASH=20</td> <td></td> <td>Prime + Parallel Group 2-3 in Fornax 4 - a2 (07)</td> <td></td> <td>80 Secs (80 Secs) [==>]</td> <td>[1]</td> </tr> <tr> <td>4</td> <td>(2) ESO-356-SC-005</td> <td>WFC3/UVIS, ACCUM, UVIS2</td> <td>F336W</td> <td>FLASH=8</td> <td>POS TARG -1.4,0</td> <td>Prime + Parallel Group 4-5 in Fornax 4 - a2 (07)</td> <td></td> <td>1074 Secs (1074 Secs) [==>]</td> <td>[1]</td> </tr> <tr> <td>5</td> <td>(2) ESO-356-SC-005</td> <td>ACS/WFC, ACCUM, WFC-FIX</td> <td>F814W</td> <td></td> <td></td> <td>Prime + Parallel Group 4-5 in Fornax 4 - a2 (07)</td> <td></td> <td>850 Secs (850 Secs) [==>]</td> <td>[1]</td> </tr> <tr> <td>6</td> <td>(2) ESO-356-SC-005</td> <td>WFC3/UVIS, ACCUM, UVIS2</td> <td>F438W</td> <td>FLASH=8</td> <td>POS TARG 1.4,-1.4</td> <td></td> <td></td> <td>200 Secs (200 Secs) [==>]</td> <td>[1]</td> </tr> <tr> <td>7</td> <td>(2) ESO-356-SC-005</td> <td>WFC3/UVIS, ACCUM, UVIS2</td> <td>F336W</td> <td>FLASH=8</td> <td>POS TARG 1.4,1.4</td> <td>Prime + Parallel Group 7-8 in Fornax 4 - a2 (07)</td> <td></td> <td>669 Secs (669 Secs) [==>]</td> <td>[1]</td> </tr> <tr> <td>8</td> <td>(2) ESO-356-SC-005</td> <td>ACS/WFC, ACCUM, WFC-FIX</td> <td>F475W</td> <td></td> <td></td> <td>Prime + Parallel Group 7-8 in Fornax 4 - a2 (07)</td> <td></td> <td>520 Secs (520 Secs) [==>]</td> <td>[1]</td> </tr> </tbody> </table>										#	Label	Target	Config,Mode,Aperture	Spectral Els.	Opt. Params.	Special Reqs.	Groups	Exp. Time (Total)/[Actual Dur.]	Orbit	1	(2) ESO-356-SC-005	WFC3/UVIS, ACCUM, UVIS2	F814W	FLASH=8	POS TARG -1.4,-1.4			150 Secs (150 Secs) [==>]	[1]	2	(2) ESO-356-SC-005	WFC3/UVIS, ACCUM, UVIS2	F438W	FLASH=8	POS TARG 0,1.4	Prime + Parallel Group 2-3 in Fornax 4 - a2 (07)		200 Secs (200 Secs) [==>]	[1]	3	(2) ESO-356-SC-005	ACS/WFC, ACCUM, WFC-FIX	F475W	FLASH=20		Prime + Parallel Group 2-3 in Fornax 4 - a2 (07)		80 Secs (80 Secs) [==>]	[1]	4	(2) ESO-356-SC-005	WFC3/UVIS, ACCUM, UVIS2	F336W	FLASH=8	POS TARG -1.4,0	Prime + Parallel Group 4-5 in Fornax 4 - a2 (07)		1074 Secs (1074 Secs) [==>]	[1]	5	(2) ESO-356-SC-005	ACS/WFC, ACCUM, WFC-FIX	F814W			Prime + Parallel Group 4-5 in Fornax 4 - a2 (07)		850 Secs (850 Secs) [==>]	[1]	6	(2) ESO-356-SC-005	WFC3/UVIS, ACCUM, UVIS2	F438W	FLASH=8	POS TARG 1.4,-1.4			200 Secs (200 Secs) [==>]	[1]	7	(2) ESO-356-SC-005	WFC3/UVIS, ACCUM, UVIS2	F336W	FLASH=8	POS TARG 1.4,1.4	Prime + Parallel Group 7-8 in Fornax 4 - a2 (07)		669 Secs (669 Secs) [==>]	[1]	8	(2) ESO-356-SC-005	ACS/WFC, ACCUM, WFC-FIX	F475W			Prime + Parallel Group 7-8 in Fornax 4 - a2 (07)		520 Secs (520 Secs) [==>]	[1]
#	Label	Target	Config,Mode,Aperture	Spectral Els.	Opt. Params.	Special Reqs.	Groups	Exp. Time (Total)/[Actual Dur.]	Orbit																																																																																											
1	(2) ESO-356-SC-005	WFC3/UVIS, ACCUM, UVIS2	F814W	FLASH=8	POS TARG -1.4,-1.4			150 Secs (150 Secs) [==>]	[1]																																																																																											
2	(2) ESO-356-SC-005	WFC3/UVIS, ACCUM, UVIS2	F438W	FLASH=8	POS TARG 0,1.4	Prime + Parallel Group 2-3 in Fornax 4 - a2 (07)		200 Secs (200 Secs) [==>]	[1]																																																																																											
3	(2) ESO-356-SC-005	ACS/WFC, ACCUM, WFC-FIX	F475W	FLASH=20		Prime + Parallel Group 2-3 in Fornax 4 - a2 (07)		80 Secs (80 Secs) [==>]	[1]																																																																																											
4	(2) ESO-356-SC-005	WFC3/UVIS, ACCUM, UVIS2	F336W	FLASH=8	POS TARG -1.4,0	Prime + Parallel Group 4-5 in Fornax 4 - a2 (07)		1074 Secs (1074 Secs) [==>]	[1]																																																																																											
5	(2) ESO-356-SC-005	ACS/WFC, ACCUM, WFC-FIX	F814W			Prime + Parallel Group 4-5 in Fornax 4 - a2 (07)		850 Secs (850 Secs) [==>]	[1]																																																																																											
6	(2) ESO-356-SC-005	WFC3/UVIS, ACCUM, UVIS2	F438W	FLASH=8	POS TARG 1.4,-1.4			200 Secs (200 Secs) [==>]	[1]																																																																																											
7	(2) ESO-356-SC-005	WFC3/UVIS, ACCUM, UVIS2	F336W	FLASH=8	POS TARG 1.4,1.4	Prime + Parallel Group 7-8 in Fornax 4 - a2 (07)		669 Secs (669 Secs) [==>]	[1]																																																																																											
8	(2) ESO-356-SC-005	ACS/WFC, ACCUM, WFC-FIX	F475W			Prime + Parallel Group 7-8 in Fornax 4 - a2 (07)		520 Secs (520 Secs) [==>]	[1]																																																																																											



Proposal 13435 - Fornax 4 - a3 (08) - Multiple populations in external globular clusters: the Fornax dSph, the LMC, and the SMC

Thu Nov 14 02:05:17 GMT 2013

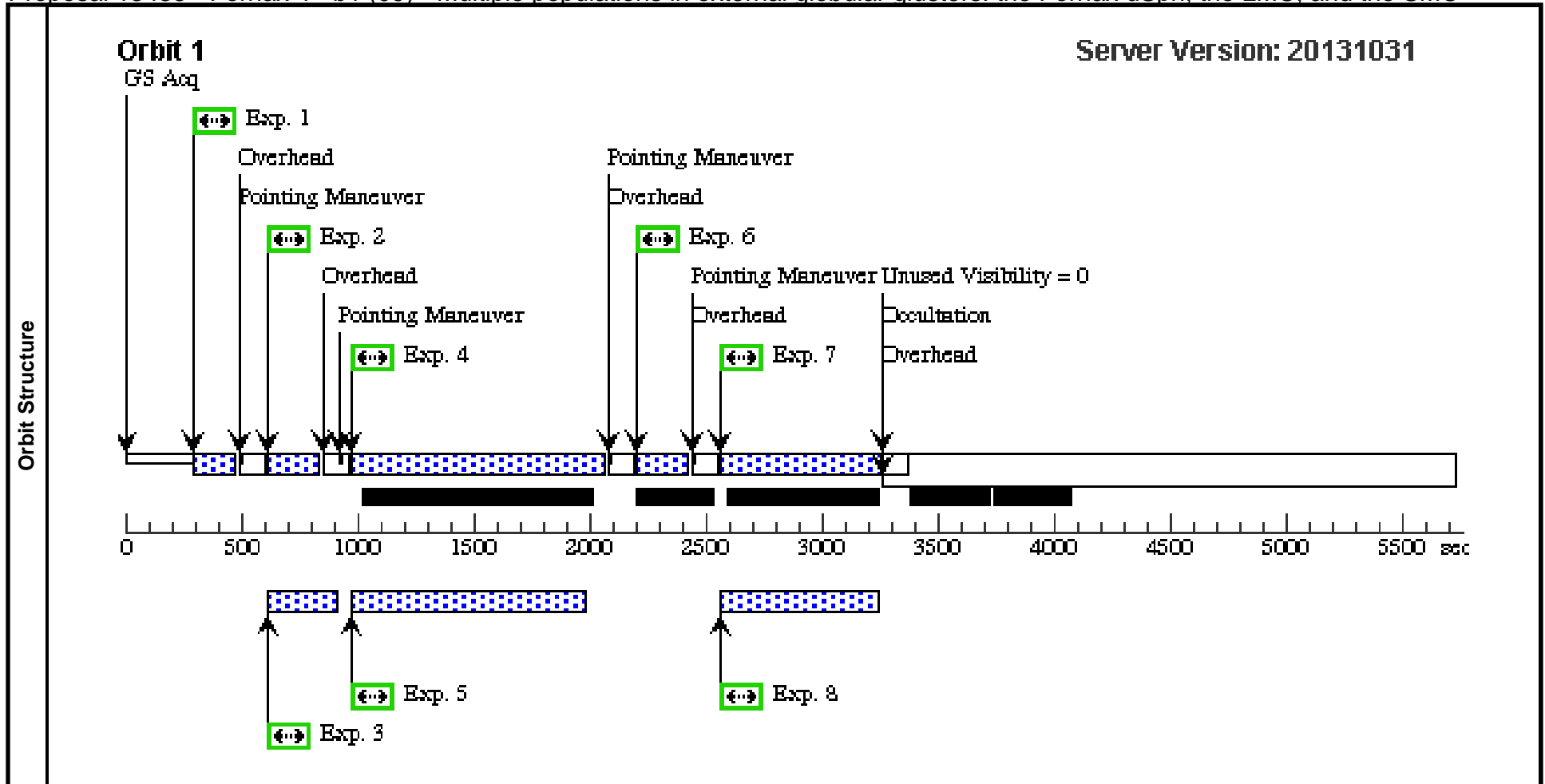
Visit	Proposal 13435, Fornax 4 - a3 (08), implementation Diagnostic Status: No Diagnostics Scientific Instruments: WFC3/UVIS, ACS/WFC Special Requirements: SAME ORIENT AS 06 Comments: Fornax 4 orbit 3																																																																																																			
	Fixed Targets	<table border="1"> <thead> <tr> <th>#</th> <th>Name</th> <th>Target Coordinates</th> <th>Targ. Coord. Corrections</th> <th>Fluxes</th> <th>Miscellaneous</th> </tr> </thead> <tbody> <tr> <td>(2)</td> <td>ESO-356-SC-005</td> <td>RA: 02 40 7.7112 (40.0321300d) Dec: -34 32 10.61 (-34.53628d) Equinox: J2000</td> <td></td> <td>V=13.3</td> <td>Reference Frame: NED</td> </tr> <tr> <td colspan="6">Comments: This object was generated by the targetselector and retrieved from the NED database.</td> </tr> </tbody> </table>									#	Name	Target Coordinates	Targ. Coord. Corrections	Fluxes	Miscellaneous	(2)	ESO-356-SC-005	RA: 02 40 7.7112 (40.0321300d) Dec: -34 32 10.61 (-34.53628d) Equinox: J2000		V=13.3	Reference Frame: NED	Comments: This object was generated by the targetselector and retrieved from the NED database.																																																																													
#	Name	Target Coordinates	Targ. Coord. Corrections	Fluxes	Miscellaneous																																																																																															
(2)	ESO-356-SC-005	RA: 02 40 7.7112 (40.0321300d) Dec: -34 32 10.61 (-34.53628d) Equinox: J2000		V=13.3	Reference Frame: NED																																																																																															
Comments: This object was generated by the targetselector and retrieved from the NED database.																																																																																																				
Exposures	<table border="1"> <thead> <tr> <th>#</th> <th>Label</th> <th>Target</th> <th>Config,Mode,Aperture</th> <th>Spectral Els.</th> <th>Opt. Params.</th> <th>Special Reqs.</th> <th>Groups</th> <th>Exp. Time (Total)/[Actual Dur.]</th> <th>Orbit</th> </tr> </thead> <tbody> <tr> <td>1</td> <td>(2) ESO-356-SC-005</td> <td>WFC3/UVIS, ACCUM, UVIS2</td> <td>F814W</td> <td>FLASH=8</td> <td>POS TARG -1.4,-1.4</td> <td></td> <td></td> <td>150 Secs (150 Secs) [==>]</td> <td>[1]</td> </tr> <tr> <td>2</td> <td>(2) ESO-356-SC-005</td> <td>WFC3/UVIS, ACCUM, UVIS2</td> <td>F438W</td> <td>FLASH=8</td> <td>POS TARG 0,1.4</td> <td>Prime + Parallel Group 2-3 in Fornax 4 - a3 (08)</td> <td></td> <td>200 Secs (200 Secs) [==>]</td> <td>[1]</td> </tr> <tr> <td>3</td> <td>(2) ESO-356-SC-005</td> <td>ACS/WFC, ACCUM, WFC-FIX</td> <td>F814W</td> <td>FLASH=20</td> <td></td> <td>Prime + Parallel Group 2-3 in Fornax 4 - a3 (08)</td> <td></td> <td>80 Secs (80 Secs) [==>]</td> <td>[1]</td> </tr> <tr> <td>4</td> <td>(2) ESO-356-SC-005</td> <td>WFC3/UVIS, ACCUM, UVIS2</td> <td>F336W</td> <td>FLASH=8</td> <td>POS TARG -1.4,0</td> <td>Prime + Parallel Group 4-5 in Fornax 4 - a3 (08)</td> <td></td> <td>1074 Secs (1074 Secs) [==>]</td> <td>[1]</td> </tr> <tr> <td>5</td> <td>(2) ESO-356-SC-005</td> <td>ACS/WFC, ACCUM, WFC-FIX</td> <td>F475W</td> <td></td> <td></td> <td>Prime + Parallel Group 4-5 in Fornax 4 - a3 (08)</td> <td></td> <td>850 Secs (850 Secs) [==>]</td> <td>[1]</td> </tr> <tr> <td>6</td> <td>(2) ESO-356-SC-005</td> <td>WFC3/UVIS, ACCUM, UVIS2</td> <td>F438W</td> <td>FLASH=8</td> <td>POS TARG 1.4,-1.4</td> <td></td> <td></td> <td>200 Secs (200 Secs) [==>]</td> <td>[1]</td> </tr> <tr> <td>7</td> <td>(2) ESO-356-SC-005</td> <td>WFC3/UVIS, ACCUM, UVIS2</td> <td>F336W</td> <td>FLASH=8</td> <td>POS TARG 1.4,1.4</td> <td>Prime + Parallel Group 7-8 in Fornax 4 - a3 (08)</td> <td></td> <td>669 Secs (669 Secs) [==>]</td> <td>[1]</td> </tr> <tr> <td>8</td> <td>(2) ESO-356-SC-005</td> <td>ACS/WFC, ACCUM, WFC-FIX</td> <td>F814W</td> <td></td> <td></td> <td>Prime + Parallel Group 7-8 in Fornax 4 - a3 (08)</td> <td></td> <td>520 Secs (520 Secs) [==>]</td> <td>[1]</td> </tr> </tbody> </table>										#	Label	Target	Config,Mode,Aperture	Spectral Els.	Opt. Params.	Special Reqs.	Groups	Exp. Time (Total)/[Actual Dur.]	Orbit	1	(2) ESO-356-SC-005	WFC3/UVIS, ACCUM, UVIS2	F814W	FLASH=8	POS TARG -1.4,-1.4			150 Secs (150 Secs) [==>]	[1]	2	(2) ESO-356-SC-005	WFC3/UVIS, ACCUM, UVIS2	F438W	FLASH=8	POS TARG 0,1.4	Prime + Parallel Group 2-3 in Fornax 4 - a3 (08)		200 Secs (200 Secs) [==>]	[1]	3	(2) ESO-356-SC-005	ACS/WFC, ACCUM, WFC-FIX	F814W	FLASH=20		Prime + Parallel Group 2-3 in Fornax 4 - a3 (08)		80 Secs (80 Secs) [==>]	[1]	4	(2) ESO-356-SC-005	WFC3/UVIS, ACCUM, UVIS2	F336W	FLASH=8	POS TARG -1.4,0	Prime + Parallel Group 4-5 in Fornax 4 - a3 (08)		1074 Secs (1074 Secs) [==>]	[1]	5	(2) ESO-356-SC-005	ACS/WFC, ACCUM, WFC-FIX	F475W			Prime + Parallel Group 4-5 in Fornax 4 - a3 (08)		850 Secs (850 Secs) [==>]	[1]	6	(2) ESO-356-SC-005	WFC3/UVIS, ACCUM, UVIS2	F438W	FLASH=8	POS TARG 1.4,-1.4			200 Secs (200 Secs) [==>]	[1]	7	(2) ESO-356-SC-005	WFC3/UVIS, ACCUM, UVIS2	F336W	FLASH=8	POS TARG 1.4,1.4	Prime + Parallel Group 7-8 in Fornax 4 - a3 (08)		669 Secs (669 Secs) [==>]	[1]	8	(2) ESO-356-SC-005	ACS/WFC, ACCUM, WFC-FIX	F814W			Prime + Parallel Group 7-8 in Fornax 4 - a3 (08)		520 Secs (520 Secs) [==>]	[1]
#	Label	Target	Config,Mode,Aperture	Spectral Els.	Opt. Params.	Special Reqs.	Groups	Exp. Time (Total)/[Actual Dur.]	Orbit																																																																																											
1	(2) ESO-356-SC-005	WFC3/UVIS, ACCUM, UVIS2	F814W	FLASH=8	POS TARG -1.4,-1.4			150 Secs (150 Secs) [==>]	[1]																																																																																											
2	(2) ESO-356-SC-005	WFC3/UVIS, ACCUM, UVIS2	F438W	FLASH=8	POS TARG 0,1.4	Prime + Parallel Group 2-3 in Fornax 4 - a3 (08)		200 Secs (200 Secs) [==>]	[1]																																																																																											
3	(2) ESO-356-SC-005	ACS/WFC, ACCUM, WFC-FIX	F814W	FLASH=20		Prime + Parallel Group 2-3 in Fornax 4 - a3 (08)		80 Secs (80 Secs) [==>]	[1]																																																																																											
4	(2) ESO-356-SC-005	WFC3/UVIS, ACCUM, UVIS2	F336W	FLASH=8	POS TARG -1.4,0	Prime + Parallel Group 4-5 in Fornax 4 - a3 (08)		1074 Secs (1074 Secs) [==>]	[1]																																																																																											
5	(2) ESO-356-SC-005	ACS/WFC, ACCUM, WFC-FIX	F475W			Prime + Parallel Group 4-5 in Fornax 4 - a3 (08)		850 Secs (850 Secs) [==>]	[1]																																																																																											
6	(2) ESO-356-SC-005	WFC3/UVIS, ACCUM, UVIS2	F438W	FLASH=8	POS TARG 1.4,-1.4			200 Secs (200 Secs) [==>]	[1]																																																																																											
7	(2) ESO-356-SC-005	WFC3/UVIS, ACCUM, UVIS2	F336W	FLASH=8	POS TARG 1.4,1.4	Prime + Parallel Group 7-8 in Fornax 4 - a3 (08)		669 Secs (669 Secs) [==>]	[1]																																																																																											
8	(2) ESO-356-SC-005	ACS/WFC, ACCUM, WFC-FIX	F814W			Prime + Parallel Group 7-8 in Fornax 4 - a3 (08)		520 Secs (520 Secs) [==>]	[1]																																																																																											



Proposal 13435 - Fornax 4 - b1 (09) - Multiple populations in external globular clusters: the Fornax dSph, the LMC, and the SMC

Thu Nov 14 02:05:18 GMT 2013

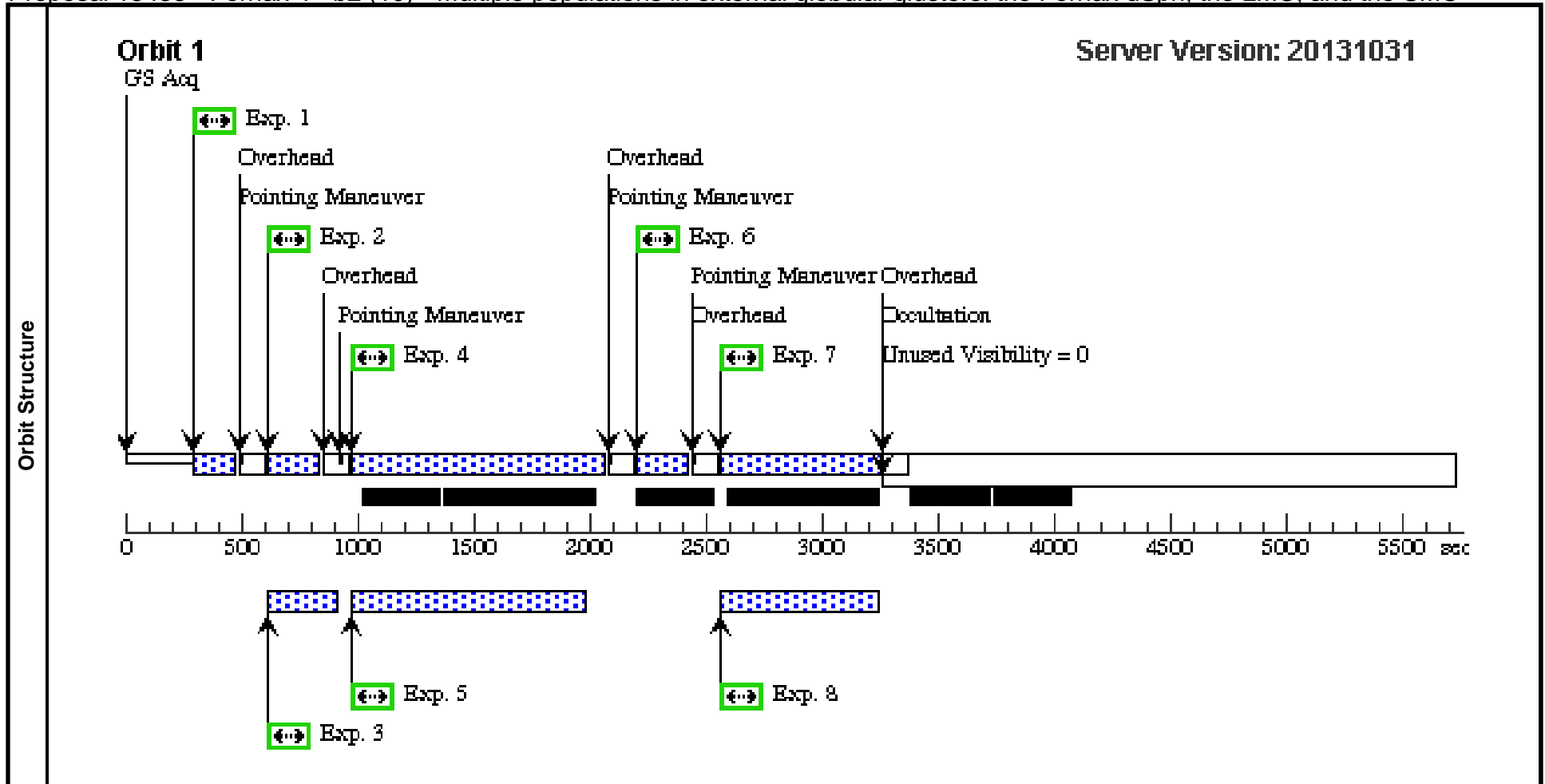
Visit	Proposal 13435, Fornax 4 - b1 (09), implementation Diagnostic Status: No Diagnostics Scientific Instruments: WFC3/UVIS, ACS/WFC Special Requirements: ORIENT 180D TO 180D FROM 06 Comments: Fornax 4 orbit 4. Visit 9/10/11 should preferably be observed rotated by 180 degrees with respect of the visit 6 pointing. However, also 90 or 270 degrees are acceptable.																																																																																										
	Fixed Targets	<table border="1"> <thead> <tr> <th>#</th> <th>Name</th> <th>Target Coordinates</th> <th>Targ. Coord. Corrections</th> <th>Fluxes</th> <th>Miscellaneous</th> </tr> </thead> <tbody> <tr> <td>(2)</td> <td>ESO-356-SC-005</td> <td>RA: 02 40 7.7112 (40.0321300d) Dec: -34 32 10.61 (-34.53628d) Equinox: J2000</td> <td></td> <td>V=13.3</td> <td>Reference Frame: NED</td> </tr> </tbody> </table> Comments: This object was generated by the targetselector and retrieved from the NED database.	#	Name	Target Coordinates	Targ. Coord. Corrections	Fluxes	Miscellaneous	(2)	ESO-356-SC-005	RA: 02 40 7.7112 (40.0321300d) Dec: -34 32 10.61 (-34.53628d) Equinox: J2000		V=13.3	Reference Frame: NED																																																																													
#	Name	Target Coordinates	Targ. Coord. Corrections	Fluxes	Miscellaneous																																																																																						
(2)	ESO-356-SC-005	RA: 02 40 7.7112 (40.0321300d) Dec: -34 32 10.61 (-34.53628d) Equinox: J2000		V=13.3	Reference Frame: NED																																																																																						
Exposures	<table border="1"> <thead> <tr> <th>#</th> <th>Label</th> <th>Target</th> <th>Config,Mode,Aperture</th> <th>Spectral Els.</th> <th>Opt. Params.</th> <th>Special Reqs.</th> <th>Groups</th> <th>Exp. Time (Total)/[Actual Dur.]</th> <th>Orbit</th> </tr> </thead> <tbody> <tr> <td>1</td> <td>(2) ESO-356-SC-005</td> <td>WFC3/UVIS, ACCUM, UVIS1</td> <td>F814W</td> <td>FLASH=8</td> <td>POS TARG -1.4,-1.4</td> <td></td> <td></td> <td>150 Secs (150 Secs) [==>]</td> <td>[1]</td> </tr> <tr> <td>2</td> <td>(2) ESO-356-SC-005</td> <td>WFC3/UVIS, ACCUM, UVIS1</td> <td>F438W</td> <td>FLASH=8</td> <td>POS TARG 0,1.4</td> <td>Prime + Parallel Group 2-3 in Fornax 4 - b1 (09)</td> <td></td> <td>200 Secs (200 Secs) [==>]</td> <td>[1]</td> </tr> <tr> <td>3</td> <td>(2) ESO-356-SC-005</td> <td>ACS/WFC, ACCUM, WFC-FIX</td> <td>F475W</td> <td>FLASH=20</td> <td></td> <td>Prime + Parallel Group 2-3 in Fornax 4 - b1 (09)</td> <td></td> <td>80 Secs (80 Secs) [==>]</td> <td>[1]</td> </tr> <tr> <td>4</td> <td>(2) ESO-356-SC-005</td> <td>WFC3/UVIS, ACCUM, UVIS1</td> <td>F336W</td> <td>FLASH=8</td> <td>POS TARG -1.4,0</td> <td>Prime + Parallel Group 4-5 in Fornax 4 - b1 (09)</td> <td></td> <td>1074 Secs (1074 Secs) [==>]</td> <td>[1]</td> </tr> <tr> <td>5</td> <td>(2) ESO-356-SC-005</td> <td>ACS/WFC, ACCUM, WFC-FIX</td> <td>F814W</td> <td></td> <td></td> <td>Prime + Parallel Group 4-5 in Fornax 4 - b1 (09)</td> <td></td> <td>850 Secs (850 Secs) [==>]</td> <td>[1]</td> </tr> <tr> <td>6</td> <td>(2) ESO-356-SC-005</td> <td>WFC3/UVIS, ACCUM, UVIS1</td> <td>F438W</td> <td>FLASH=8</td> <td>POS TARG 1.4,-1.4</td> <td></td> <td></td> <td>200 Secs (200 Secs) [==>]</td> <td>[1]</td> </tr> <tr> <td>7</td> <td>(2) ESO-356-SC-005</td> <td>WFC3/UVIS, ACCUM, UVIS1</td> <td>F336W</td> <td>FLASH=8</td> <td>POS TARG 1.4,1.4</td> <td>Prime + Parallel Group 7-8 in Fornax 4 - b1 (09)</td> <td></td> <td>669 Secs (669 Secs) [==>]</td> <td>[1]</td> </tr> <tr> <td>8</td> <td>(2) ESO-356-SC-005</td> <td>ACS/WFC, ACCUM, WFC-FIX</td> <td>F475W</td> <td></td> <td></td> <td>Prime + Parallel Group 7-8 in Fornax 4 - b1 (09)</td> <td></td> <td>520 Secs (520 Secs) [==>]</td> <td>[1]</td> </tr> </tbody> </table>	#	Label	Target	Config,Mode,Aperture	Spectral Els.	Opt. Params.	Special Reqs.	Groups	Exp. Time (Total)/[Actual Dur.]	Orbit	1	(2) ESO-356-SC-005	WFC3/UVIS, ACCUM, UVIS1	F814W	FLASH=8	POS TARG -1.4,-1.4			150 Secs (150 Secs) [==>]	[1]	2	(2) ESO-356-SC-005	WFC3/UVIS, ACCUM, UVIS1	F438W	FLASH=8	POS TARG 0,1.4	Prime + Parallel Group 2-3 in Fornax 4 - b1 (09)		200 Secs (200 Secs) [==>]	[1]	3	(2) ESO-356-SC-005	ACS/WFC, ACCUM, WFC-FIX	F475W	FLASH=20		Prime + Parallel Group 2-3 in Fornax 4 - b1 (09)		80 Secs (80 Secs) [==>]	[1]	4	(2) ESO-356-SC-005	WFC3/UVIS, ACCUM, UVIS1	F336W	FLASH=8	POS TARG -1.4,0	Prime + Parallel Group 4-5 in Fornax 4 - b1 (09)		1074 Secs (1074 Secs) [==>]	[1]	5	(2) ESO-356-SC-005	ACS/WFC, ACCUM, WFC-FIX	F814W			Prime + Parallel Group 4-5 in Fornax 4 - b1 (09)		850 Secs (850 Secs) [==>]	[1]	6	(2) ESO-356-SC-005	WFC3/UVIS, ACCUM, UVIS1	F438W	FLASH=8	POS TARG 1.4,-1.4			200 Secs (200 Secs) [==>]	[1]	7	(2) ESO-356-SC-005	WFC3/UVIS, ACCUM, UVIS1	F336W	FLASH=8	POS TARG 1.4,1.4	Prime + Parallel Group 7-8 in Fornax 4 - b1 (09)		669 Secs (669 Secs) [==>]	[1]	8	(2) ESO-356-SC-005	ACS/WFC, ACCUM, WFC-FIX	F475W			Prime + Parallel Group 7-8 in Fornax 4 - b1 (09)		520 Secs (520 Secs) [==>]	[1]
#	Label	Target	Config,Mode,Aperture	Spectral Els.	Opt. Params.	Special Reqs.	Groups	Exp. Time (Total)/[Actual Dur.]	Orbit																																																																																		
1	(2) ESO-356-SC-005	WFC3/UVIS, ACCUM, UVIS1	F814W	FLASH=8	POS TARG -1.4,-1.4			150 Secs (150 Secs) [==>]	[1]																																																																																		
2	(2) ESO-356-SC-005	WFC3/UVIS, ACCUM, UVIS1	F438W	FLASH=8	POS TARG 0,1.4	Prime + Parallel Group 2-3 in Fornax 4 - b1 (09)		200 Secs (200 Secs) [==>]	[1]																																																																																		
3	(2) ESO-356-SC-005	ACS/WFC, ACCUM, WFC-FIX	F475W	FLASH=20		Prime + Parallel Group 2-3 in Fornax 4 - b1 (09)		80 Secs (80 Secs) [==>]	[1]																																																																																		
4	(2) ESO-356-SC-005	WFC3/UVIS, ACCUM, UVIS1	F336W	FLASH=8	POS TARG -1.4,0	Prime + Parallel Group 4-5 in Fornax 4 - b1 (09)		1074 Secs (1074 Secs) [==>]	[1]																																																																																		
5	(2) ESO-356-SC-005	ACS/WFC, ACCUM, WFC-FIX	F814W			Prime + Parallel Group 4-5 in Fornax 4 - b1 (09)		850 Secs (850 Secs) [==>]	[1]																																																																																		
6	(2) ESO-356-SC-005	WFC3/UVIS, ACCUM, UVIS1	F438W	FLASH=8	POS TARG 1.4,-1.4			200 Secs (200 Secs) [==>]	[1]																																																																																		
7	(2) ESO-356-SC-005	WFC3/UVIS, ACCUM, UVIS1	F336W	FLASH=8	POS TARG 1.4,1.4	Prime + Parallel Group 7-8 in Fornax 4 - b1 (09)		669 Secs (669 Secs) [==>]	[1]																																																																																		
8	(2) ESO-356-SC-005	ACS/WFC, ACCUM, WFC-FIX	F475W			Prime + Parallel Group 7-8 in Fornax 4 - b1 (09)		520 Secs (520 Secs) [==>]	[1]																																																																																		



Proposal 13435 - Fornax 4 - b2 (10) - Multiple populations in external globular clusters: the Fornax dSph, the LMC, and the SMC

Thu Nov 14 02:05:19 GMT 2013

Visit	Proposal 13435, Fornax 4 - b2 (10), implementation Diagnostic Status: No Diagnostics Scientific Instruments: WFC3/UVIS, ACS/WFC Special Requirements: SAME ORIENT AS 09 Comments: Fornax 4 orbit 5																											
	Fixed Targets	<table border="1"> <thead> <tr> <th>#</th> <th>Name</th> <th>Target Coordinates</th> <th>Targ. Coord. Corrections</th> <th>Fluxes</th> <th>Miscellaneous</th> </tr> </thead> <tbody> <tr> <td>(2)</td> <td>ESO-356-SC-005</td> <td>RA: 02 40 7.7112 (40.0321300d) Dec: -34 32 10.61 (-34.53628d) Equinox: J2000</td> <td></td> <td>V=13.3</td> <td>Reference Frame: NED</td> </tr> <tr> <td colspan="6">Comments: This object was generated by the targetselector and retrieved from the NED database.</td> </tr> </tbody> </table>										#	Name	Target Coordinates	Targ. Coord. Corrections	Fluxes	Miscellaneous	(2)	ESO-356-SC-005	RA: 02 40 7.7112 (40.0321300d) Dec: -34 32 10.61 (-34.53628d) Equinox: J2000		V=13.3	Reference Frame: NED	Comments: This object was generated by the targetselector and retrieved from the NED database.				
#	Name	Target Coordinates	Targ. Coord. Corrections	Fluxes	Miscellaneous																							
(2)	ESO-356-SC-005	RA: 02 40 7.7112 (40.0321300d) Dec: -34 32 10.61 (-34.53628d) Equinox: J2000		V=13.3	Reference Frame: NED																							
Comments: This object was generated by the targetselector and retrieved from the NED database.																												
Exposures	#	Label	Target	Config,Mode,Aperture	Spectral Els.	Opt. Params.	Special Reqs.	Groups	Exp. Time (Total)/[Actual Dur.]	Orbit																		
	1	(2) ESO-356-SC-005	WFC3/UVIS, ACCUM, UVIS1	F814W	FLASH=8	POS TARG -1.4,-1.4			150 Secs (150 Secs) [==>]	[1]																		
	2	(2) ESO-356-SC-005	WFC3/UVIS, ACCUM, UVIS1	F438W	FLASH=8	POS TARG 0,1.4	Prime + Parallel Group 2-3 in Fornax 4 - b2 (10)		200 Secs (200 Secs) [==>]	[1]																		
	3	(2) ESO-356-SC-005	ACS/WFC, ACCUM, WFC-FIX	F814W	FLASH=20		Prime + Parallel Group 2-3 in Fornax 4 - b2 (10)		80 Secs (80 Secs) [==>]	[1]																		
	4	(2) ESO-356-SC-005	WFC3/UVIS, ACCUM, UVIS1	F336W	FLASH=8	POS TARG -1.4,0	Prime + Parallel Group 4-5 in Fornax 4 - b2 (10)		1074 Secs (1074 Secs) [==>]	[1]																		
	5	(2) ESO-356-SC-005	ACS/WFC, ACCUM, WFC-FIX	F475W			Prime + Parallel Group 4-5 in Fornax 4 - b2 (10)		850 Secs (850 Secs) [==>]	[1]																		
	6	(2) ESO-356-SC-005	WFC3/UVIS, ACCUM, UVIS1	F438W	FLASH=8	POS TARG 1.4,-1.4			200 Secs (200 Secs) [==>]	[1]																		
	7	(2) ESO-356-SC-005	WFC3/UVIS, ACCUM, UVIS1	F336W	FLASH=8	POS TARG 1.4,1.4	Prime + Parallel Group 7-8 in Fornax 4 - b2 (10)		669 Secs (669 Secs) [==>]	[1]																		
	8	(2) ESO-356-SC-005	ACS/WFC, ACCUM, WFC-FIX	F814W			Prime + Parallel Group 7-8 in Fornax 4 - b2 (10)		520 Secs (520 Secs) [==>]	[1]																		



Proposal 13435 - Fornax 4 - b3 (11) - Multiple populations in external globular clusters: the Fornax dSph, the LMC, and the SMC

Thu Nov 14 02:05:20 GMT 2013

Visit	Proposal 13435, Fornax 4 - b3 (11), implementation Diagnostic Status: No Diagnostics Scientific Instruments: WFC3/UVIS, ACS/WFC Special Requirements: SAME ORIENT AS 09 Comments: Fornax 4 orbit 6																																																																																																			
	Fixed Targets	<table border="1"> <thead> <tr> <th>#</th> <th>Name</th> <th>Target Coordinates</th> <th>Targ. Coord. Corrections</th> <th>Fluxes</th> <th>Miscellaneous</th> </tr> </thead> <tbody> <tr> <td>(2)</td> <td>ESO-356-SC-005</td> <td>RA: 02 40 7.7112 (40.0321300d) Dec: -34 32 10.61 (-34.53628d) Equinox: J2000</td> <td></td> <td>V=13.3</td> <td>Reference Frame: NED</td> </tr> <tr> <td colspan="6">Comments: This object was generated by the targetselector and retrieved from the NED database.</td> </tr> </tbody> </table>									#	Name	Target Coordinates	Targ. Coord. Corrections	Fluxes	Miscellaneous	(2)	ESO-356-SC-005	RA: 02 40 7.7112 (40.0321300d) Dec: -34 32 10.61 (-34.53628d) Equinox: J2000		V=13.3	Reference Frame: NED	Comments: This object was generated by the targetselector and retrieved from the NED database.																																																																													
#	Name	Target Coordinates	Targ. Coord. Corrections	Fluxes	Miscellaneous																																																																																															
(2)	ESO-356-SC-005	RA: 02 40 7.7112 (40.0321300d) Dec: -34 32 10.61 (-34.53628d) Equinox: J2000		V=13.3	Reference Frame: NED																																																																																															
Comments: This object was generated by the targetselector and retrieved from the NED database.																																																																																																				
Exposures	<table border="1"> <thead> <tr> <th>#</th> <th>Label</th> <th>Target</th> <th>Config,Mode,Aperture</th> <th>Spectral Els.</th> <th>Opt. Params.</th> <th>Special Reqs.</th> <th>Groups</th> <th>Exp. Time (Total)/[Actual Dur.]</th> <th>Orbit</th> </tr> </thead> <tbody> <tr> <td>1</td> <td>(2) ESO-356-SC-005</td> <td>WFC3/UVIS, ACCUM, UVIS1</td> <td>F814W</td> <td>FLASH=8</td> <td>POS TARG -1.4,-1.4</td> <td></td> <td></td> <td>150 Secs (150 Secs) [==>]</td> <td>[1]</td> </tr> <tr> <td>2</td> <td>(2) ESO-356-SC-005</td> <td>WFC3/UVIS, ACCUM, UVIS1</td> <td>F438W</td> <td>FLASH=8</td> <td>POS TARG 0,1.4</td> <td>Prime + Parallel Group 2-3 in Fornax 4 - b3 (11)</td> <td></td> <td>200 Secs (200 Secs) [==>]</td> <td>[1]</td> </tr> <tr> <td>3</td> <td>(2) ESO-356-SC-005</td> <td>ACS/WFC, ACCUM, WFC-FIX</td> <td>F814W</td> <td>FLASH=20</td> <td></td> <td>Prime + Parallel Group 2-3 in Fornax 4 - b3 (11)</td> <td></td> <td>80 Secs (80 Secs) [==>]</td> <td>[1]</td> </tr> <tr> <td>4</td> <td>(2) ESO-356-SC-005</td> <td>WFC3/UVIS, ACCUM, UVIS1</td> <td>F336W</td> <td>FLASH=8</td> <td>POS TARG -1.4,0</td> <td>Prime + Parallel Group 4-5 in Fornax 4 - b3 (11)</td> <td></td> <td>1074 Secs (1074 Secs) [==>]</td> <td>[1]</td> </tr> <tr> <td>5</td> <td>(2) ESO-356-SC-005</td> <td>ACS/WFC, ACCUM, WFC-FIX</td> <td>F475W</td> <td></td> <td></td> <td>Prime + Parallel Group 4-5 in Fornax 4 - b3 (11)</td> <td></td> <td>850 Secs (850 Secs) [==>]</td> <td>[1]</td> </tr> <tr> <td>6</td> <td>(2) ESO-356-SC-005</td> <td>WFC3/UVIS, ACCUM, UVIS1</td> <td>F438W</td> <td>FLASH=8</td> <td>POS TARG 1.4,-1.4</td> <td></td> <td></td> <td>200 Secs (200 Secs) [==>]</td> <td>[1]</td> </tr> <tr> <td>7</td> <td>(2) ESO-356-SC-005</td> <td>WFC3/UVIS, ACCUM, UVIS1</td> <td>F336W</td> <td>FLASH=8</td> <td>POS TARG 1.4,1.4</td> <td>Prime + Parallel Group 7-8 in Fornax 4 - b3 (11)</td> <td></td> <td>669 Secs (669 Secs) [==>]</td> <td>[1]</td> </tr> <tr> <td>8</td> <td>(2) ESO-356-SC-005</td> <td>ACS/WFC, ACCUM, WFC-FIX</td> <td>F814W</td> <td></td> <td></td> <td>Prime + Parallel Group 7-8 in Fornax 4 - b3 (11)</td> <td></td> <td>520 Secs (520 Secs) [==>]</td> <td>[1]</td> </tr> </tbody> </table>										#	Label	Target	Config,Mode,Aperture	Spectral Els.	Opt. Params.	Special Reqs.	Groups	Exp. Time (Total)/[Actual Dur.]	Orbit	1	(2) ESO-356-SC-005	WFC3/UVIS, ACCUM, UVIS1	F814W	FLASH=8	POS TARG -1.4,-1.4			150 Secs (150 Secs) [==>]	[1]	2	(2) ESO-356-SC-005	WFC3/UVIS, ACCUM, UVIS1	F438W	FLASH=8	POS TARG 0,1.4	Prime + Parallel Group 2-3 in Fornax 4 - b3 (11)		200 Secs (200 Secs) [==>]	[1]	3	(2) ESO-356-SC-005	ACS/WFC, ACCUM, WFC-FIX	F814W	FLASH=20		Prime + Parallel Group 2-3 in Fornax 4 - b3 (11)		80 Secs (80 Secs) [==>]	[1]	4	(2) ESO-356-SC-005	WFC3/UVIS, ACCUM, UVIS1	F336W	FLASH=8	POS TARG -1.4,0	Prime + Parallel Group 4-5 in Fornax 4 - b3 (11)		1074 Secs (1074 Secs) [==>]	[1]	5	(2) ESO-356-SC-005	ACS/WFC, ACCUM, WFC-FIX	F475W			Prime + Parallel Group 4-5 in Fornax 4 - b3 (11)		850 Secs (850 Secs) [==>]	[1]	6	(2) ESO-356-SC-005	WFC3/UVIS, ACCUM, UVIS1	F438W	FLASH=8	POS TARG 1.4,-1.4			200 Secs (200 Secs) [==>]	[1]	7	(2) ESO-356-SC-005	WFC3/UVIS, ACCUM, UVIS1	F336W	FLASH=8	POS TARG 1.4,1.4	Prime + Parallel Group 7-8 in Fornax 4 - b3 (11)		669 Secs (669 Secs) [==>]	[1]	8	(2) ESO-356-SC-005	ACS/WFC, ACCUM, WFC-FIX	F814W			Prime + Parallel Group 7-8 in Fornax 4 - b3 (11)		520 Secs (520 Secs) [==>]	[1]
#	Label	Target	Config,Mode,Aperture	Spectral Els.	Opt. Params.	Special Reqs.	Groups	Exp. Time (Total)/[Actual Dur.]	Orbit																																																																																											
1	(2) ESO-356-SC-005	WFC3/UVIS, ACCUM, UVIS1	F814W	FLASH=8	POS TARG -1.4,-1.4			150 Secs (150 Secs) [==>]	[1]																																																																																											
2	(2) ESO-356-SC-005	WFC3/UVIS, ACCUM, UVIS1	F438W	FLASH=8	POS TARG 0,1.4	Prime + Parallel Group 2-3 in Fornax 4 - b3 (11)		200 Secs (200 Secs) [==>]	[1]																																																																																											
3	(2) ESO-356-SC-005	ACS/WFC, ACCUM, WFC-FIX	F814W	FLASH=20		Prime + Parallel Group 2-3 in Fornax 4 - b3 (11)		80 Secs (80 Secs) [==>]	[1]																																																																																											
4	(2) ESO-356-SC-005	WFC3/UVIS, ACCUM, UVIS1	F336W	FLASH=8	POS TARG -1.4,0	Prime + Parallel Group 4-5 in Fornax 4 - b3 (11)		1074 Secs (1074 Secs) [==>]	[1]																																																																																											
5	(2) ESO-356-SC-005	ACS/WFC, ACCUM, WFC-FIX	F475W			Prime + Parallel Group 4-5 in Fornax 4 - b3 (11)		850 Secs (850 Secs) [==>]	[1]																																																																																											
6	(2) ESO-356-SC-005	WFC3/UVIS, ACCUM, UVIS1	F438W	FLASH=8	POS TARG 1.4,-1.4			200 Secs (200 Secs) [==>]	[1]																																																																																											
7	(2) ESO-356-SC-005	WFC3/UVIS, ACCUM, UVIS1	F336W	FLASH=8	POS TARG 1.4,1.4	Prime + Parallel Group 7-8 in Fornax 4 - b3 (11)		669 Secs (669 Secs) [==>]	[1]																																																																																											
8	(2) ESO-356-SC-005	ACS/WFC, ACCUM, WFC-FIX	F814W			Prime + Parallel Group 7-8 in Fornax 4 - b3 (11)		520 Secs (520 Secs) [==>]	[1]																																																																																											

