



14121 - Probing the accretion disk in the Seyfert 1 NGC 4593

Cycle: 23, Proposal Category: GO

(Availability Mode: SUPPORTED)

INVESTIGATORS

<i>Name</i>	<i>Institution</i>	<i>E-Mail</i>
Dr. Edward M. Cackett (PI) (Contact)	Wayne State University	ecackett@wayne.edu
Dr. Rick Edelson (CoI)	University of Maryland	rickedelson@gmail.com
Dr. Michael R. Goad (CoI) (ESA Member)	University of Leicester	mg159@le.ac.uk
Prof. Keith Horne (CoI) (ESA Member)	University of St. Andrews	kdh1@st-andrews.ac.uk
Dr. Ian M. McHardy (CoI) (ESA Member)	University of Southampton	imh@phastr.soton.ac.uk

VISITS

<i>Visit</i>	<i>Targets used in Visit</i>	<i>Configurations used in Visit</i>	<i>Orbits Used</i>	<i>Last Orbit Planner Run</i>	<i>OP Current with Visit?</i>
01	(1) NGC-4593 CCDFLAT	STIS/CCD STIS/FUV-MAMA	1	07-Sep-2016 17:02:03.0	yes
02	(1) NGC-4593 CCDFLAT	STIS/CCD STIS/FUV-MAMA	1	07-Sep-2016 17:02:05.0	yes
03	(1) NGC-4593 CCDFLAT	STIS/CCD STIS/FUV-MAMA	1	07-Sep-2016 17:02:06.0	yes
04	(1) NGC-4593 CCDFLAT	STIS/CCD STIS/FUV-MAMA	1	07-Sep-2016 17:02:07.0	yes
05	(1) NGC-4593 CCDFLAT	STIS/CCD STIS/FUV-MAMA	1	07-Sep-2016 17:02:08.0	yes
06	(1) NGC-4593 CCDFLAT	STIS/CCD STIS/FUV-MAMA	1	07-Sep-2016 17:02:10.0	yes

Proposal 14121 (STScI Edit Number: 2, Created: Wednesday, September 7, 2016 4:02:34 PM EST) - Overview

<i>Visit</i>	<i>Targets used in Visit</i>	<i>Configurations used in Visit</i>	<i>Orbits Used</i>	<i>Last Orbit Planner Run</i>	<i>OP Current with Visit?</i>
07	(1) NGC-4593 CCDFLAT	STIS/CCD STIS/FUV-MAMA	1	07-Sep-2016 17:02:11.0	yes
08	(1) NGC-4593 CCDFLAT	STIS/CCD STIS/FUV-MAMA	1	07-Sep-2016 17:02:12.0	yes
09	(1) NGC-4593 CCDFLAT	STIS/CCD STIS/FUV-MAMA	1	07-Sep-2016 17:02:13.0	yes
10	(1) NGC-4593 CCDFLAT	STIS/CCD STIS/FUV-MAMA	1	07-Sep-2016 17:02:14.0	yes
11	(1) NGC-4593 CCDFLAT	STIS/CCD STIS/FUV-MAMA	1	07-Sep-2016 17:02:15.0	yes
12	(1) NGC-4593 CCDFLAT	STIS/CCD STIS/FUV-MAMA	1	07-Sep-2016 17:02:16.0	yes
13	(1) NGC-4593 CCDFLAT	STIS/CCD STIS/FUV-MAMA	1	07-Sep-2016 17:02:18.0	yes
14	(1) NGC-4593 CCDFLAT	STIS/CCD STIS/FUV-MAMA	1	07-Sep-2016 17:02:19.0	yes
15	(1) NGC-4593 CCDFLAT	STIS/CCD STIS/FUV-MAMA	1	07-Sep-2016 17:02:20.0	yes
16	(1) NGC-4593 CCDFLAT	STIS/CCD STIS/FUV-MAMA	1	07-Sep-2016 17:02:21.0	yes
17	(1) NGC-4593 CCDFLAT	STIS/CCD STIS/FUV-MAMA	1	07-Sep-2016 17:02:22.0	yes
18	(1) NGC-4593 CCDFLAT	STIS/CCD STIS/FUV-MAMA	1	07-Sep-2016 17:02:23.0	yes
19	(1) NGC-4593 CCDFLAT	STIS/CCD STIS/FUV-MAMA	1	07-Sep-2016 17:02:24.0	yes
20	(1) NGC-4593 CCDFLAT	STIS/CCD STIS/FUV-MAMA	1	07-Sep-2016 17:02:26.0	yes

<i>Visit</i>	<i>Targets used in Visit</i>	<i>Configurations used in Visit</i>	<i>Orbits Used</i>	<i>Last Orbit Planner Run</i>	<i>OP Current with Visit?</i>
21	(1) NGC-4593 CCDFLAT	STIS/CCD STIS/FUV-MAMA	1	07-Sep-2016 17:02:27.0	yes
22	(1) NGC-4593 CCDFLAT	STIS/CCD STIS/FUV-MAMA	1	07-Sep-2016 17:02:28.0	yes
23	(1) NGC-4593 CCDFLAT	STIS/CCD STIS/FUV-MAMA	1	07-Sep-2016 17:02:29.0	yes
24	(1) NGC-4593 CCDFLAT	STIS/CCD STIS/FUV-MAMA	1	07-Sep-2016 17:02:30.0	yes
25	(1) NGC-4593 CCDFLAT	STIS/CCD STIS/FUV-MAMA	1	07-Sep-2016 17:02:31.0	yes
26	(1) NGC-4593 CCDFLAT	STIS/CCD STIS/FUV-MAMA	1	07-Sep-2016 17:02:32.0	yes
27	(1) NGC-4593 CCDFLAT	STIS/CCD STIS/FUV-MAMA	1	07-Sep-2016 17:02:33.0	yes

27 Total Orbits Used

ABSTRACT

More than forty years since nearby AGN were suggested to be powered by accretion onto supermassive black holes we still do not have strong observational constraints on the structure of AGN accretion disks. However, wavelength-dependent continuum reverberation provides a unique probe of the disk. Hot, inner parts of the accretion disk respond to irradiating, variable, X-ray flux before the cooler, outer parts, simply due to light crossing time. Hence, time lags between UV (hot) and optical (cool) lightcurves are observed. But, for the best-studied source, NGC 5548, the measured lags appear anomalously large for its mass and accretion rate. Either our understanding of AGN accretion disks is wrong, or, the continuum is significantly contaminated by more slowly varying components arising at larger radii. Thus, further high quality lag measurements are needed in order to address this. The bright, nearby AGN NGC 4593 will be in the Kepler field in July - September 2016, providing a remarkably high-cadence (every 30 min) and high S/N (0.1% photometry) broadband continuum lightcurve. Here, we are proposing a 1-month, daily monitoring campaign of NGC 4593 with HST/STIS spectroscopy to measure wavelength-dependent lags. We will utilize the unprecedented quality of the Kepler lightcurve as a reference band to obtain high-fidelity lag measurements in order to probe the accretion disk in this object. As a secondary goal we will also obtain lightcurves from strong optical and UV emission lines to probe the stratification of the broad-line region.

OBSERVING DESCRIPTION

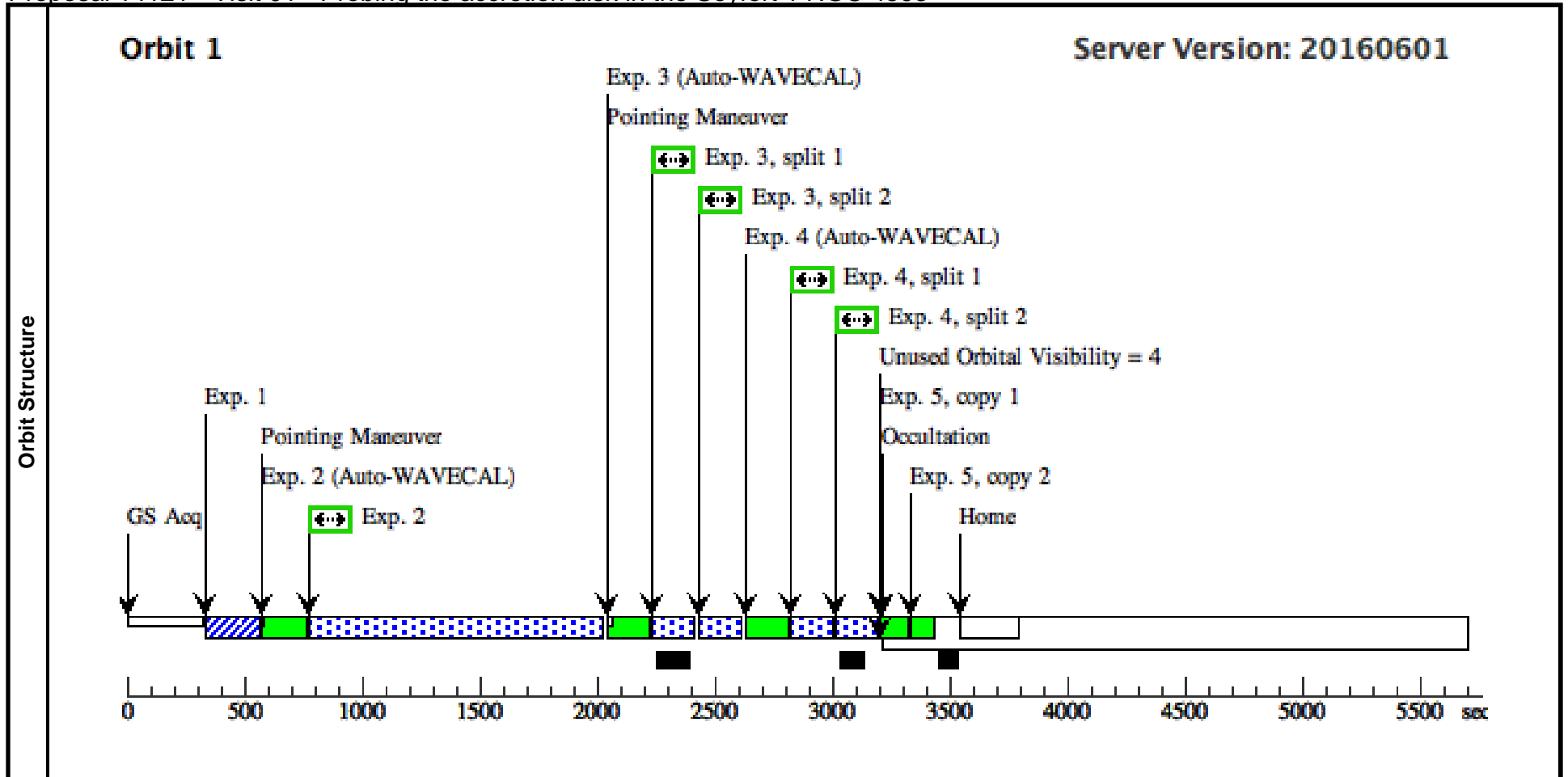
We will perform daily monitoring observations of the AGN NGC 4593 with HST/STIS. The observations are scheduled to overlap with Kepler observations of NGC 4593 beginning on July 6, 2016. We had 27 orbits approved in Phase I, and each observation is 1 orbit in length. Since the moon limits observations on July 10/11 and August 7/8, we request to schedule all 27 orbits inbetween those dates - it is important not to have 2-day gaps because of the moon in order to achieve a robust recovery of the time lags. Each observation should be scheduled 1 day (+/- 0.1 day, if at all possible) after the previous one. If the +/- 0.1 day request is too hard to schedule, this can be relaxed slightly but we prefer it as close to 1 +/- 0.1 day sampling as possible.

During each orbit we will take STIS long-slit spectra with MAMA/FUV G140L, CCD/G430L and CCD/G750L. A fixed roll angle (ORIENT) has been chosen to ensure the galaxy contribution to the AGN spectrum is the same for each observation. We have selected a 52x0.2 arcsec slit for G140L, and the 52x0.2E1 slit for G430L and G750L for CTE mitigation.

Proposal 14121 - Visit 01 - Probing the accretion disk in the Seyfert 1 NGC 4593

Wed Sep 07 21:02:35 GMT 2016

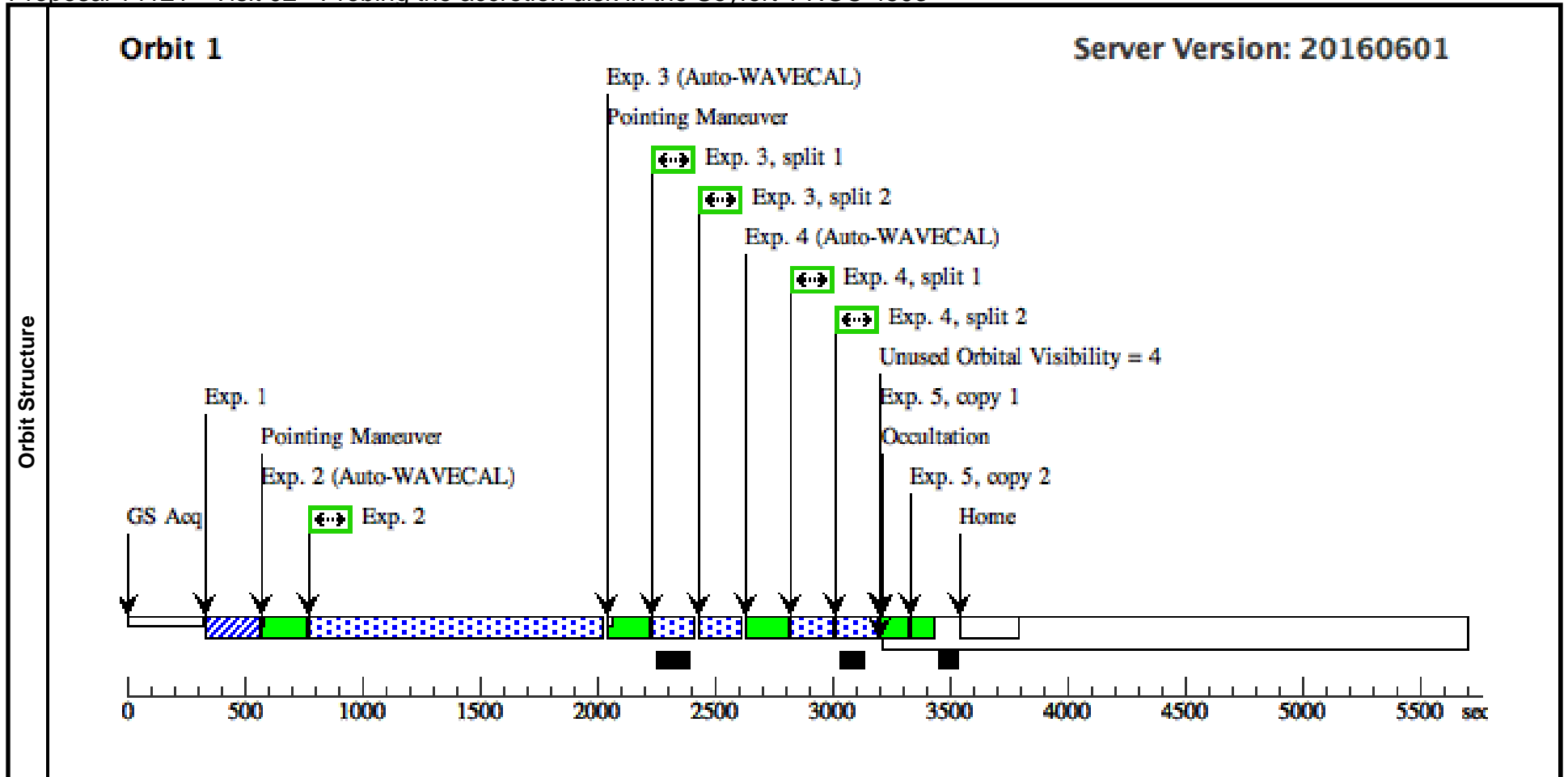
Visit	Proposal 14121, Visit 01, completed Diagnostic Status: No Diagnostics Scientific Instruments: STIS/CCD, STIS/FUV-MAMA Special Requirements: ORIENT 112D TO 112 D; BETWEEN 12-JUL-2016:12:45:00 AND 12-JUL-2016:16:50:00																																																																					
	Fixed Targets	<table border="1"> <thead> <tr> <th>#</th> <th>Name</th> <th>Target Coordinates</th> <th>Targ. Coord. Corrections</th> <th>Fluxes</th> <th>Miscellaneous</th> </tr> </thead> <tbody> <tr> <td>(1)</td> <td>NGC-4593</td> <td>RA: 12 39 39.4550 (189.9143958d) Dec: -05 20 39.02 (-5.34417d) Equinox: J2000</td> <td>Redshift: 0.008344</td> <td>V=13.15</td> <td>Reference Frame: ICRS</td> </tr> <tr> <td colspan="6"> <i>Comments: 2MASS position for the AGN used. Verified with 2010 HST/WFC3 image (proposal ID: 11661). SIMBAD V-magnitude and redshift.</i> </td> </tr> </tbody> </table>										#	Name	Target Coordinates	Targ. Coord. Corrections	Fluxes	Miscellaneous	(1)	NGC-4593	RA: 12 39 39.4550 (189.9143958d) Dec: -05 20 39.02 (-5.34417d) Equinox: J2000	Redshift: 0.008344	V=13.15	Reference Frame: ICRS	<i>Comments: 2MASS position for the AGN used. Verified with 2010 HST/WFC3 image (proposal ID: 11661). SIMBAD V-magnitude and redshift.</i>																																														
#		Name	Target Coordinates	Targ. Coord. Corrections	Fluxes	Miscellaneous																																																																
(1)	NGC-4593	RA: 12 39 39.4550 (189.9143958d) Dec: -05 20 39.02 (-5.34417d) Equinox: J2000	Redshift: 0.008344	V=13.15	Reference Frame: ICRS																																																																	
<i>Comments: 2MASS position for the AGN used. Verified with 2010 HST/WFC3 image (proposal ID: 11661). SIMBAD V-magnitude and redshift.</i>																																																																						
Exposures	<table border="1"> <thead> <tr> <th>#</th> <th>Label (ETC Run)</th> <th>Target</th> <th>Config,Mode,Aperture</th> <th>Spectral Els.</th> <th>Opt. Params.</th> <th>Special Reqs.</th> <th>Groups</th> <th>Exp. Time (Total)/[Actual Dur.]</th> <th>Orbit</th> </tr> </thead> <tbody> <tr> <td>1</td> <td></td> <td>(1) NGC-4593</td> <td>STIS/CCD, ACQ, F28X50LP</td> <td>MIRROR</td> <td>ACQTYPE=POINT</td> <td></td> <td></td> <td>1 Secs (1 Secs) [==>]</td> <td>[1]</td> </tr> <tr> <td>2</td> <td>(STIS.sp.71 6913)</td> <td>(1) NGC-4593</td> <td>STIS/FUV-MAMA, ACCUM, 52X0.2</td> <td>G140L 1425 A</td> <td></td> <td></td> <td></td> <td>1200 Secs (1234 Secs) [==>1234.0 Secs]</td> <td>[1]</td> </tr> <tr> <td>3</td> <td>(STIS.sp.72 0253)</td> <td>(1) NGC-4593</td> <td>STIS/CCD, ACCUM, 52X0.2E1</td> <td>G430L 4300 A</td> <td>CR-SPLIT=2</td> <td></td> <td></td> <td>230 Secs (298 Secs) [==>149.0 Secs (Split 1)] [==>149.0 Secs (Split 2)]</td> <td>[1]</td> </tr> <tr> <td>4</td> <td>(STIS.sp.72 0252)</td> <td>(1) NGC-4593</td> <td>STIS/CCD, ACCUM, 52X0.2E1</td> <td>G750L 7751 A</td> <td>CR-SPLIT=2; GAIN=4</td> <td></td> <td></td> <td>220 Secs (288 Secs) [==>144.0 Secs (Split 1)] [==>144.0 Secs (Split 2)]</td> <td>[1]</td> </tr> <tr> <td>5</td> <td></td> <td>CCDFLAT</td> <td>STIS/CCD, ACCUM, 52X0.1</td> <td>G750L 7751 A</td> <td></td> <td></td> <td></td> <td>[==>(Copy 1)] [==>(Copy 2)]</td> <td>[1]</td> </tr> </tbody> </table>										#	Label (ETC Run)	Target	Config,Mode,Aperture	Spectral Els.	Opt. Params.	Special Reqs.	Groups	Exp. Time (Total)/[Actual Dur.]	Orbit	1		(1) NGC-4593	STIS/CCD, ACQ, F28X50LP	MIRROR	ACQTYPE=POINT			1 Secs (1 Secs) [==>]	[1]	2	(STIS.sp.71 6913)	(1) NGC-4593	STIS/FUV-MAMA, ACCUM, 52X0.2	G140L 1425 A				1200 Secs (1234 Secs) [==>1234.0 Secs]	[1]	3	(STIS.sp.72 0253)	(1) NGC-4593	STIS/CCD, ACCUM, 52X0.2E1	G430L 4300 A	CR-SPLIT=2			230 Secs (298 Secs) [==>149.0 Secs (Split 1)] [==>149.0 Secs (Split 2)]	[1]	4	(STIS.sp.72 0252)	(1) NGC-4593	STIS/CCD, ACCUM, 52X0.2E1	G750L 7751 A	CR-SPLIT=2; GAIN=4			220 Secs (288 Secs) [==>144.0 Secs (Split 1)] [==>144.0 Secs (Split 2)]	[1]	5		CCDFLAT	STIS/CCD, ACCUM, 52X0.1	G750L 7751 A				[==>(Copy 1)] [==>(Copy 2)]	[1]
	#	Label (ETC Run)	Target	Config,Mode,Aperture	Spectral Els.	Opt. Params.	Special Reqs.	Groups	Exp. Time (Total)/[Actual Dur.]	Orbit																																																												
	1		(1) NGC-4593	STIS/CCD, ACQ, F28X50LP	MIRROR	ACQTYPE=POINT			1 Secs (1 Secs) [==>]	[1]																																																												
	2	(STIS.sp.71 6913)	(1) NGC-4593	STIS/FUV-MAMA, ACCUM, 52X0.2	G140L 1425 A				1200 Secs (1234 Secs) [==>1234.0 Secs]	[1]																																																												
	3	(STIS.sp.72 0253)	(1) NGC-4593	STIS/CCD, ACCUM, 52X0.2E1	G430L 4300 A	CR-SPLIT=2			230 Secs (298 Secs) [==>149.0 Secs (Split 1)] [==>149.0 Secs (Split 2)]	[1]																																																												
	4	(STIS.sp.72 0252)	(1) NGC-4593	STIS/CCD, ACCUM, 52X0.2E1	G750L 7751 A	CR-SPLIT=2; GAIN=4			220 Secs (288 Secs) [==>144.0 Secs (Split 1)] [==>144.0 Secs (Split 2)]	[1]																																																												
	5		CCDFLAT	STIS/CCD, ACCUM, 52X0.1	G750L 7751 A				[==>(Copy 1)] [==>(Copy 2)]	[1]																																																												



Proposal 14121 - Visit 02 - Probing the accretion disk in the Seyfert 1 NGC 4593

Wed Sep 07 21:02:35 GMT 2016

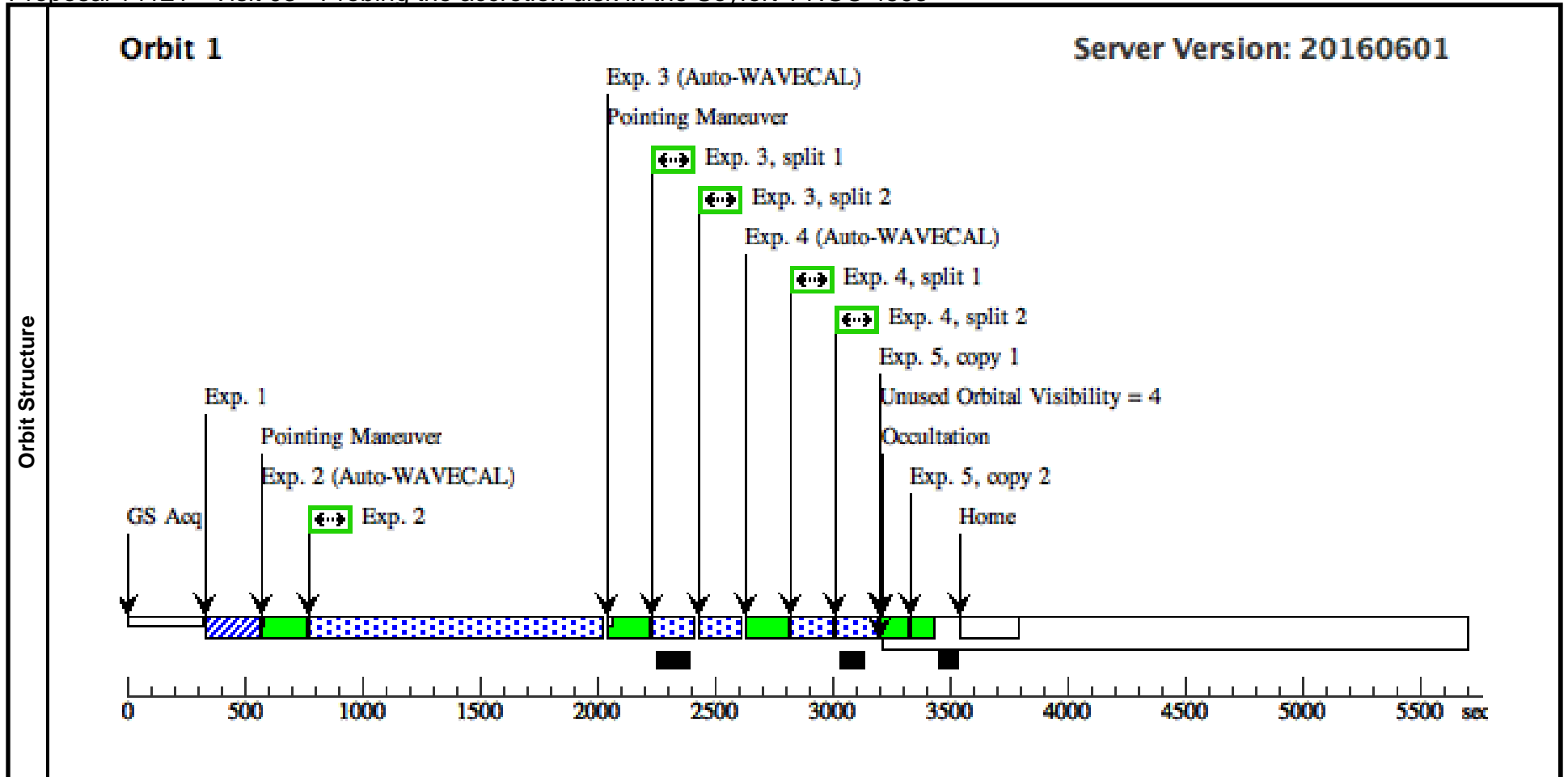
Visit	Proposal 14121, Visit 02, completed Diagnostic Status: No Diagnostics Scientific Instruments: STIS/CCD, STIS/FUV-MAMA Special Requirements: ORIENT 112D TO 112 D; AFTER 01 BY 0.879 D TO 1.079 D									
	Fixed Targets	#	Name	Target Coordinates	Targ. Coord. Corrections	Fluxes	Miscellaneous			
		(1)	NGC-4593	RA: 12 39 39.4550 (189.9143958d) Dec: -05 20 39.02 (-5.34417d) Equinox: J2000	Redshift: 0.008344	V=13.15	Reference Frame: ICRS			
	Comments: 2MASS position for the AGN used. Verified with 2010 HST/WFC3 image (proposal ID: 11661). SIMBAD V-magnitude and redshift.									
Exposures	#	Label (ETC Run)	Target	Config,Mode,Aperture	Spectral Els.	Opt. Params.	Special Reqs.	Groups	Exp. Time (Total)/[Actual Dur.]	Orbit
	1		(1) NGC-4593	STIS/CCD, ACQ, F28X50LP	MIRROR	ACQTYPE=POINT			1 Secs (1 Secs)	
									[==>]	[1]
	2	(STIS.sp.71 6913)	(1) NGC-4593	STIS/FUV-MAMA, ACCUM, 52X0.2	G140L 1425 A				1200 Secs (1234 Secs)	
									[==>1234.0 Secs]	[1]
	3		(1) NGC-4593	STIS/CCD, ACCUM, 52X0.2E1	G430L 4300 A	CR-SPLIT=2			230 Secs (298 Secs)	
									[==>149.0 Secs (Split 1)] [==>149.0 Secs (Split 2)]	[1]
4		(1) NGC-4593	STIS/CCD, ACCUM, 52X0.2E1	G750L 7751 A	CR-SPLIT=2; GAIN=4			220 Secs (288 Secs)		
								[==>144.0 Secs (Split 1)] [==>144.0 Secs (Split 2)]	[1]	
5		CCDFLAT	STIS/CCD, ACCUM, 52X0.1	G750L 7751 A				[==>(Copy 1)] [==>(Copy 2)]	[1]	



Proposal 14121 - Visit 03 - Probing the accretion disk in the Seyfert 1 NGC 4593

Wed Sep 07 21:02:35 GMT 2016

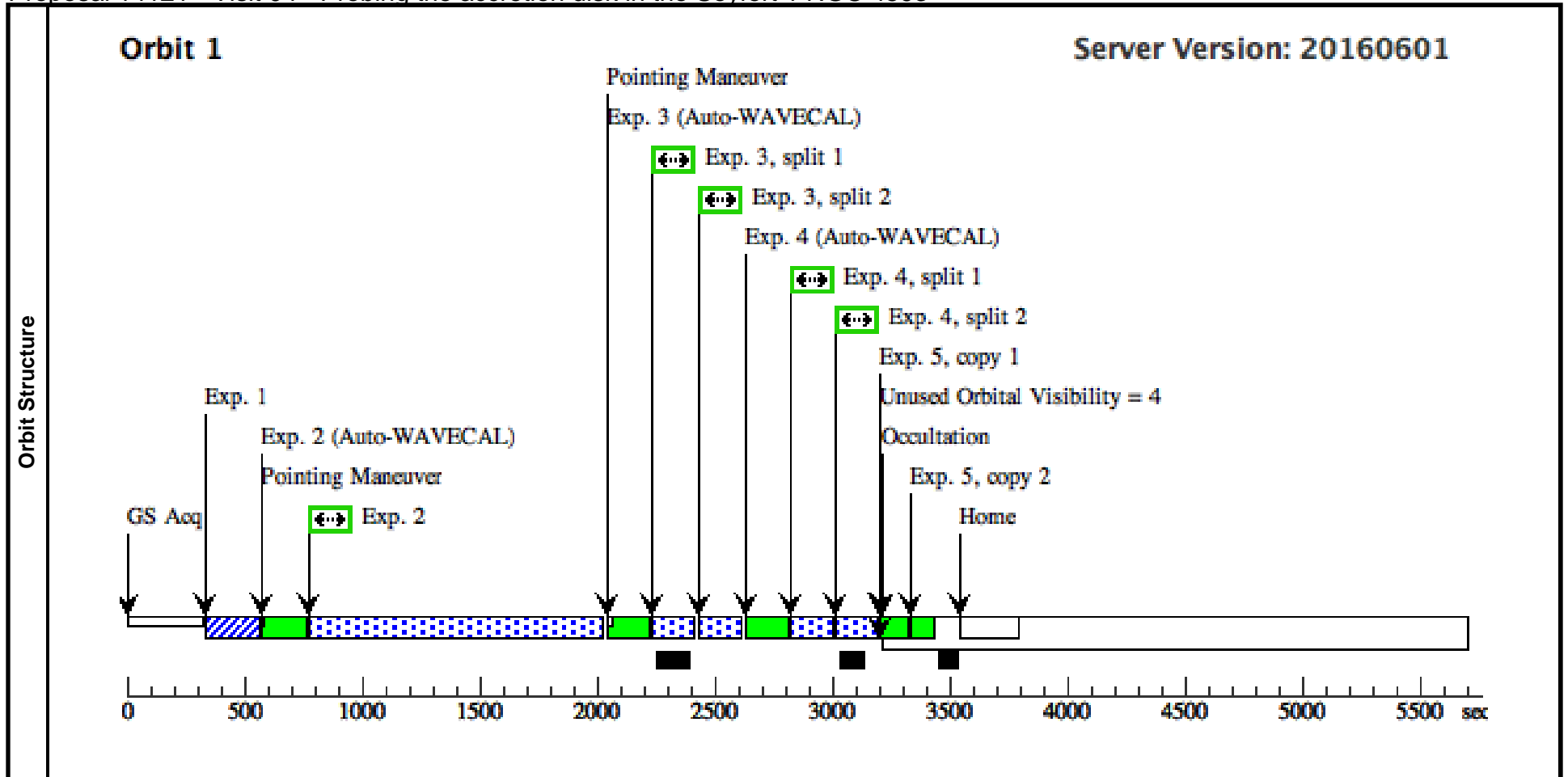
Visit	Proposal 14121, Visit 03, completed Diagnostic Status: No Diagnostics Scientific Instruments: STIS/CCD, STIS/FUV-MAMA Special Requirements: ORIENT 112D TO 112 D; AFTER 01 BY 1.859 D TO 2.059 D									
	Fixed Targets	#	Name	Target Coordinates	Targ. Coord. Corrections	Fluxes	Miscellaneous			
		(1)	NGC-4593	RA: 12 39 39.4550 (189.9143958d) Dec: -05 20 39.02 (-5.34417d) Equinox: J2000	Redshift: 0.008344	V=13.15	Reference Frame: ICRS			
	<i>Comments: 2MASS position for the AGN used. Verified with 2010 HST/WFC3 image (proposal ID: 11661). SIMBAD V-magnitude and redshift.</i>									
Exposures	#	Label (ETC Run)	Target	Config,Mode,Aperture	Spectral Els.	Opt. Params.	Special Reqs.	Groups	Exp. Time (Total)/[Actual Dur.]	Orbit
	1		(1) NGC-4593	STIS/CCD, ACQ, F28X50LP	MIRROR	ACQTYPE=POINT			1 Secs (1 Secs) [==>]	[1]
	2	(STIS.sp.71 6913)	(1) NGC-4593	STIS/FUV-MAMA, ACCUM, 52X0.2	G140L 1425 A				1200 Secs (1234 Secs) [==>1234.0 Secs]	[1]
	3		(1) NGC-4593	STIS/CCD, ACCUM, 52X0.2E1	G430L 4300 A	CR-SPLIT=2			230 Secs (298 Secs) [==>149.0 Secs (Split 1)] [==>149.0 Secs (Split 2)]	[1]
	4		(1) NGC-4593	STIS/CCD, ACCUM, 52X0.2E1	G750L 7751 A	CR-SPLIT=2; GAIN=4			220 Secs (288 Secs) [==>144.0 Secs (Split 1)] [==>144.0 Secs (Split 2)]	[1]
	5		CCDFLAT	STIS/CCD, ACCUM, 52X0.1	G750L 7751 A				[==>(Copy 1)] [==>(Copy 2)]	[1]



Proposal 14121 - Visit 04 - Probing the accretion disk in the Seyfert 1 NGC 4593

Wed Sep 07 21:02:35 GMT 2016

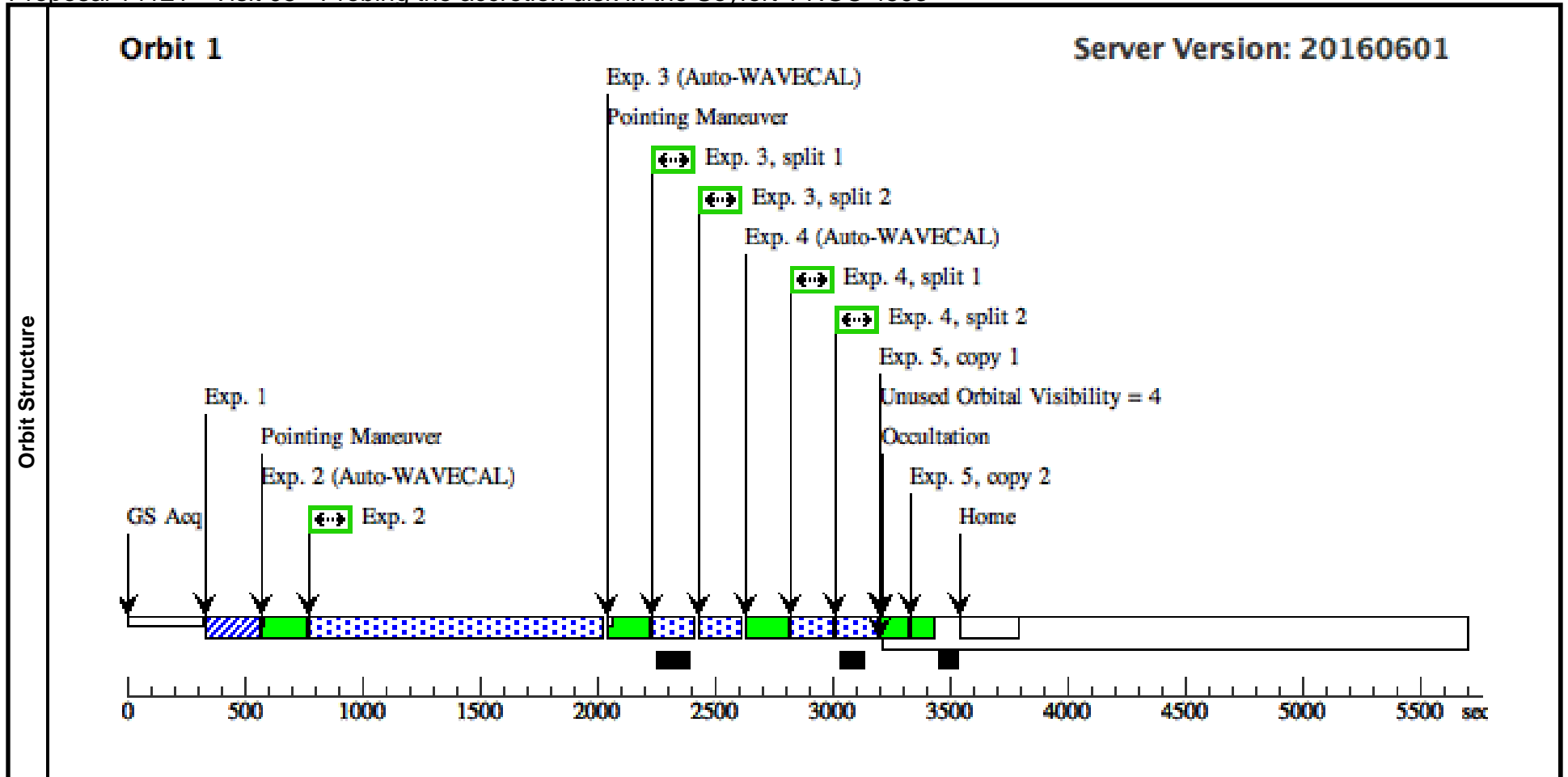
Visit	Proposal 14121, Visit 04, completed Diagnostic Status: No Diagnostics Scientific Instruments: STIS/CCD, STIS/FUV-MAMA Special Requirements: ORIENT 112D TO 112 D; AFTER 01 BY 2.838 D TO 3.038 D									
	Fixed Targets	#	Name	Target Coordinates	Targ. Coord. Corrections	Fluxes	Miscellaneous			
		(1)	NGC-4593	RA: 12 39 39.4550 (189.9143958d) Dec: -05 20 39.02 (-5.34417d) Equinox: J2000	Redshift: 0.008344	V=13.15	Reference Frame: ICRS			
	<i>Comments: 2MASS position for the AGN used. Verified with 2010 HST/WFC3 image (proposal ID: 11661). SIMBAD V-magnitude and redshift.</i>									
Exposures	#	Label (ETC Run)	Target	Config,Mode,Aperture	Spectral Els.	Opt. Params.	Special Reqs.	Groups	Exp. Time (Total)/[Actual Dur.]	Orbit
	1		(1) NGC-4593	STIS/CCD, ACQ, F28X50LP	MIRROR	ACQTYPE=POINT			1 Secs (1 Secs) [==>]	[1]
	2	(STIS.sp.71 6913)	(1) NGC-4593	STIS/FUV-MAMA, ACCUM, 52X0.2	G140L 1425 A				1200 Secs (1234 Secs) [==>1234.0 Secs]	[1]
	3		(1) NGC-4593	STIS/CCD, ACCUM, 52X0.2E1	G430L 4300 A	CR-SPLIT=2			230 Secs (298 Secs) [==>149.0 Secs (Split 1)] [==>149.0 Secs (Split 2)]	[1]
	4		(1) NGC-4593	STIS/CCD, ACCUM, 52X0.2E1	G750L 7751 A	CR-SPLIT=2; GAIN=4			220 Secs (288 Secs) [==>144.0 Secs (Split 1)] [==>144.0 Secs (Split 2)]	[1]
	5		CCDFLAT	STIS/CCD, ACCUM, 52X0.1	G750L 7751 A				[==>(Copy 1)] [==>(Copy 2)]	[1]



Proposal 14121 - Visit 05 - Probing the accretion disk in the Seyfert 1 NGC 4593

Wed Sep 07 21:02:35 GMT 2016

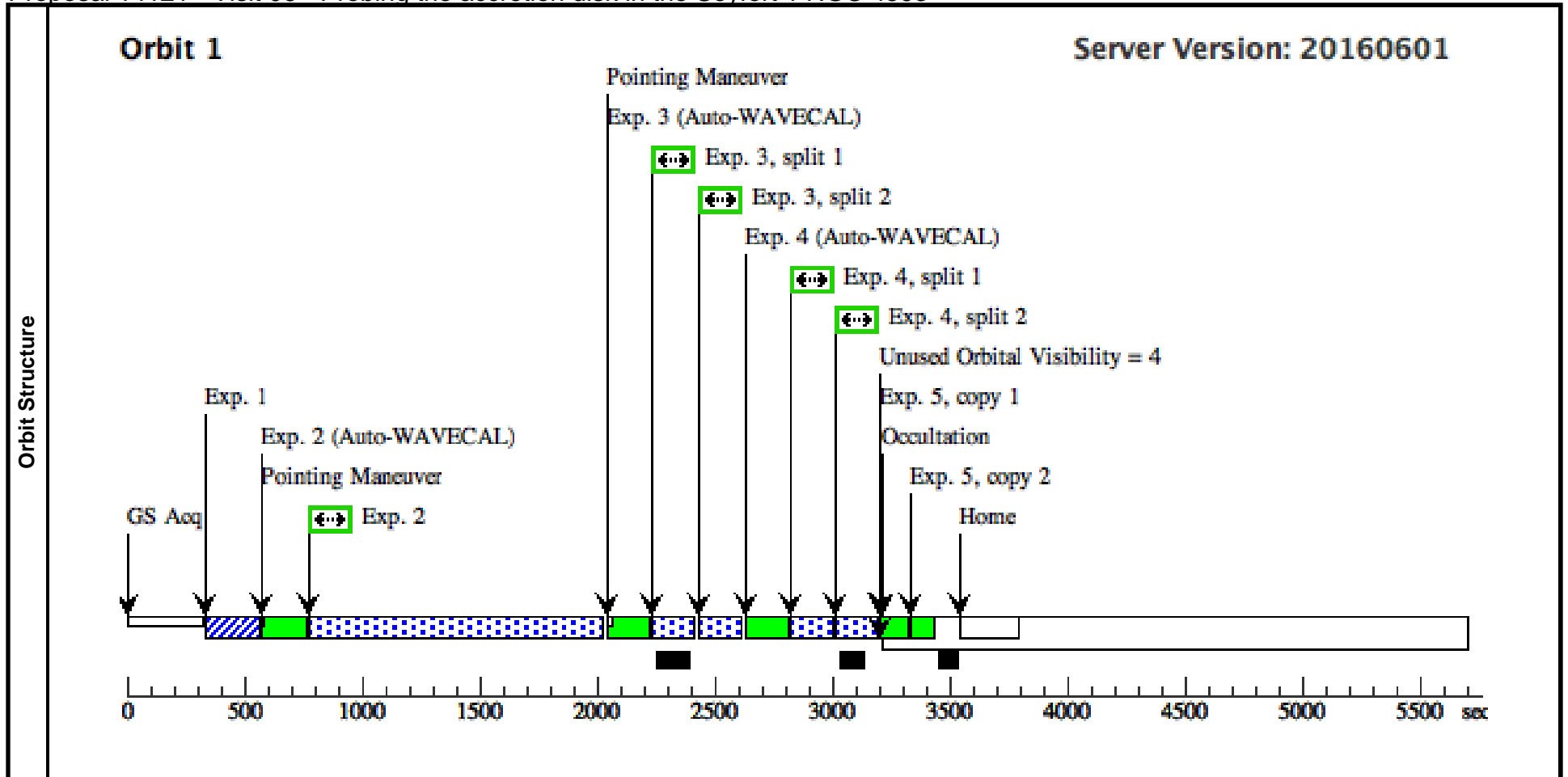
Visit	Proposal 14121, Visit 05, completed Diagnostic Status: No Diagnostics Scientific Instruments: STIS/CCD, STIS/FUV-MAMA Special Requirements: ORIENT 112D TO 112 D; AFTER 01 BY 3.817 D TO 4.017 D																											
	Fixed Targets	<table border="1"> <thead> <tr> <th>#</th> <th>Name</th> <th>Target Coordinates</th> <th>Targ. Coord. Corrections</th> <th>Fluxes</th> <th>Miscellaneous</th> </tr> </thead> <tbody> <tr> <td>(1)</td> <td>NGC-4593</td> <td>RA: 12 39 39.4550 (189.9143958d) Dec: -05 20 39.02 (-5.34417d) Equinox: J2000</td> <td>Redshift: 0.008344</td> <td>V=13.15</td> <td>Reference Frame: ICRS</td> </tr> <tr> <td colspan="6"> <i>Comments: 2MASS position for the AGN used. Verified with 2010 HST/WFC3 image (proposal ID: 11661). SIMBAD V-magnitude and redshift.</i> </td> </tr> </tbody> </table>										#	Name	Target Coordinates	Targ. Coord. Corrections	Fluxes	Miscellaneous	(1)	NGC-4593	RA: 12 39 39.4550 (189.9143958d) Dec: -05 20 39.02 (-5.34417d) Equinox: J2000	Redshift: 0.008344	V=13.15	Reference Frame: ICRS	<i>Comments: 2MASS position for the AGN used. Verified with 2010 HST/WFC3 image (proposal ID: 11661). SIMBAD V-magnitude and redshift.</i>				
#		Name	Target Coordinates	Targ. Coord. Corrections	Fluxes	Miscellaneous																						
(1)	NGC-4593	RA: 12 39 39.4550 (189.9143958d) Dec: -05 20 39.02 (-5.34417d) Equinox: J2000	Redshift: 0.008344	V=13.15	Reference Frame: ICRS																							
<i>Comments: 2MASS position for the AGN used. Verified with 2010 HST/WFC3 image (proposal ID: 11661). SIMBAD V-magnitude and redshift.</i>																												
Exposures	#	Label (ETC Run)	Target	Config,Mode,Aperture	Spectral Els.	Opt. Params.	Special Reqs.	Groups	Exp. Time (Total)/[Actual Dur.]	Orbit																		
	1		(1) NGC-4593	STIS/CCD, ACQ, F28X50LP	MIRROR	ACQTYPE=POINT			1 Secs (1 Secs) [==>]	[1]																		
	2	(STIS.sp.71 6913)	(1) NGC-4593	STIS/FUV-MAMA, ACCUM, 52X0.2	G140L 1425 A				1200 Secs (1234 Secs) [==>1234.0 Secs]	[1]																		
	3		(1) NGC-4593	STIS/CCD, ACCUM, 52X0.2E1	G430L 4300 A	CR-SPLIT=2			230 Secs (298 Secs) [==>149.0 Secs (Split 1)] [==>149.0 Secs (Split 2)]	[1]																		
	4		(1) NGC-4593	STIS/CCD, ACCUM, 52X0.2E1	G750L 7751 A	CR-SPLIT=2; GAIN=4			220 Secs (288 Secs) [==>144.0 Secs (Split 1)] [==>144.0 Secs (Split 2)]	[1]																		
	5		CCDFLAT	STIS/CCD, ACCUM, 52X0.1	G750L 7751 A				[==>(Copy 1)] [==>(Copy 2)]	[1]																		



Proposal 14121 - Visit 06 - Probing the accretion disk in the Seyfert 1 NGC 4593

Wed Sep 07 21:02:35 GMT 2016

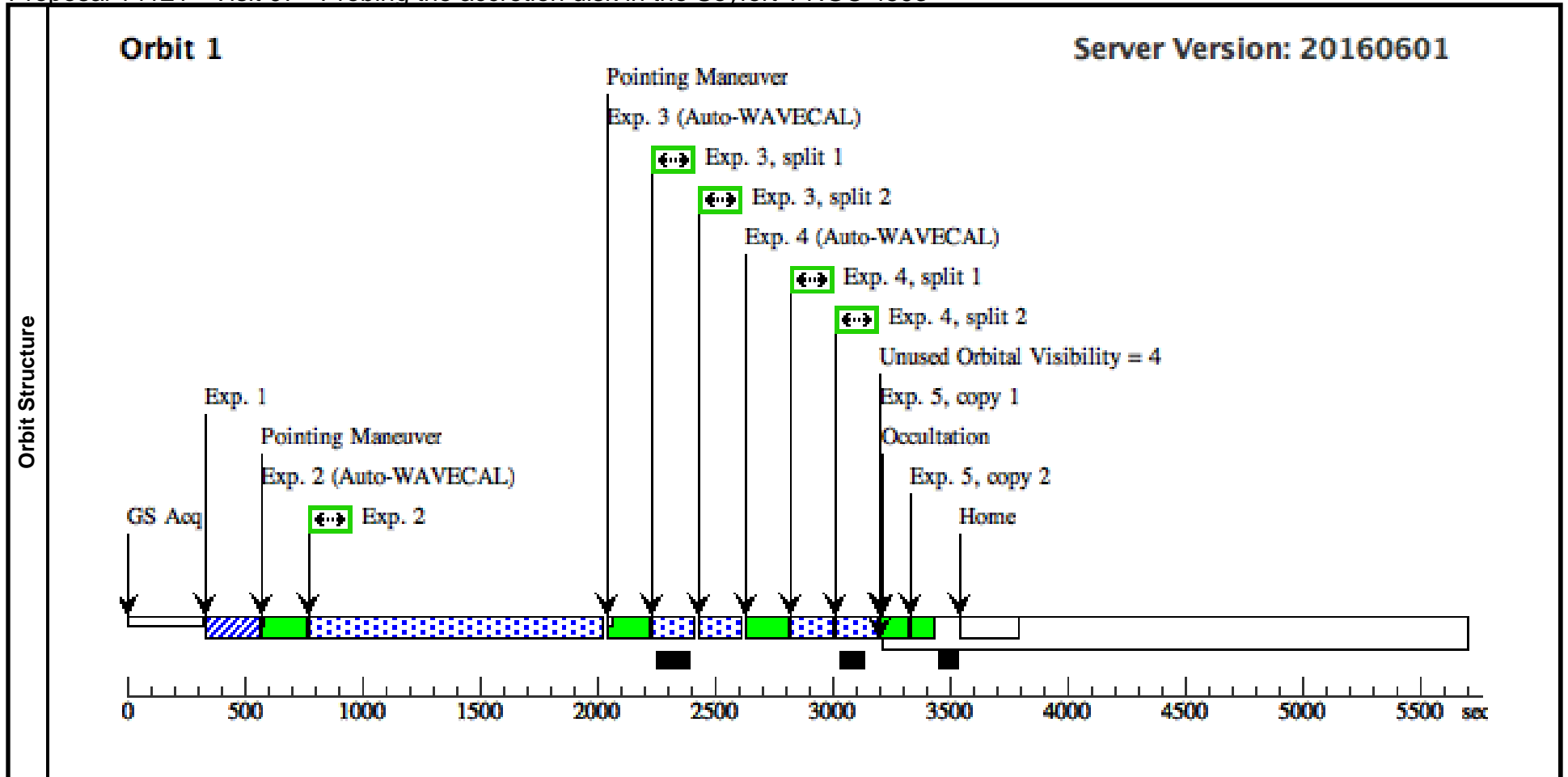
Visit	Proposal 14121, Visit 06, completed Diagnostic Status: No Diagnostics Scientific Instruments: STIS/CCD, STIS/FUV-MAMA Special Requirements: ORIENT 112D TO 112 D; AFTER 01 BY 4.797 D TO 4.997 D																											
	Fixed Targets	<table border="1"> <thead> <tr> <th>#</th> <th>Name</th> <th>Target Coordinates</th> <th>Targ. Coord. Corrections</th> <th>Fluxes</th> <th>Miscellaneous</th> </tr> </thead> <tbody> <tr> <td>(1)</td> <td>NGC-4593</td> <td>RA: 12 39 39.4550 (189.9143958d) Dec: -05 20 39.02 (-5.34417d) Equinox: J2000</td> <td>Redshift: 0.008344</td> <td>V=13.15</td> <td>Reference Frame: ICRS</td> </tr> <tr> <td colspan="6"> <i>Comments: 2MASS position for the AGN used. Verified with 2010 HST/WFC3 image (proposal ID: 11661). SIMBAD V-magnitude and redshift.</i> </td> </tr> </tbody> </table>										#	Name	Target Coordinates	Targ. Coord. Corrections	Fluxes	Miscellaneous	(1)	NGC-4593	RA: 12 39 39.4550 (189.9143958d) Dec: -05 20 39.02 (-5.34417d) Equinox: J2000	Redshift: 0.008344	V=13.15	Reference Frame: ICRS	<i>Comments: 2MASS position for the AGN used. Verified with 2010 HST/WFC3 image (proposal ID: 11661). SIMBAD V-magnitude and redshift.</i>				
#		Name	Target Coordinates	Targ. Coord. Corrections	Fluxes	Miscellaneous																						
(1)	NGC-4593	RA: 12 39 39.4550 (189.9143958d) Dec: -05 20 39.02 (-5.34417d) Equinox: J2000	Redshift: 0.008344	V=13.15	Reference Frame: ICRS																							
<i>Comments: 2MASS position for the AGN used. Verified with 2010 HST/WFC3 image (proposal ID: 11661). SIMBAD V-magnitude and redshift.</i>																												
Exposures	#	Label (ETC Run)	Target	Config,Mode,Aperture	Spectral Els.	Opt. Params.	Special Reqs.	Groups	Exp. Time (Total)/[Actual Dur.]	Orbit																		
	1		(1) NGC-4593	STIS/CCD, ACQ, F28X50LP	MIRROR	ACQTYPE=POINT			1 Secs (1 Secs) [==>]	[1]																		
	2	(STIS.sp.71 6913)	(1) NGC-4593	STIS/FUV-MAMA, ACCUM, 52X0.2	G140L 1425 A				1200 Secs (1234 Secs) [==>1234.0 Secs]	[1]																		
	3		(1) NGC-4593	STIS/CCD, ACCUM, 52X0.2E1	G430L 4300 A	CR-SPLIT=2			230 Secs (298 Secs) [==>149.0 Secs (Split 1)] [==>149.0 Secs (Split 2)]	[1]																		
	4		(1) NGC-4593	STIS/CCD, ACCUM, 52X0.2E1	G750L 7751 A	CR-SPLIT=2; GAIN=4			220 Secs (288 Secs) [==>144.0 Secs (Split 1)] [==>144.0 Secs (Split 2)]	[1]																		
	5		CCDFLAT	STIS/CCD, ACCUM, 52X0.1	G750L 7751 A				[==>(Copy 1)] [==>(Copy 2)]	[1]																		



Proposal 14121 - Visit 07 - Probing the accretion disk in the Seyfert 1 NGC 4593

Wed Sep 07 21:02:35 GMT 2016

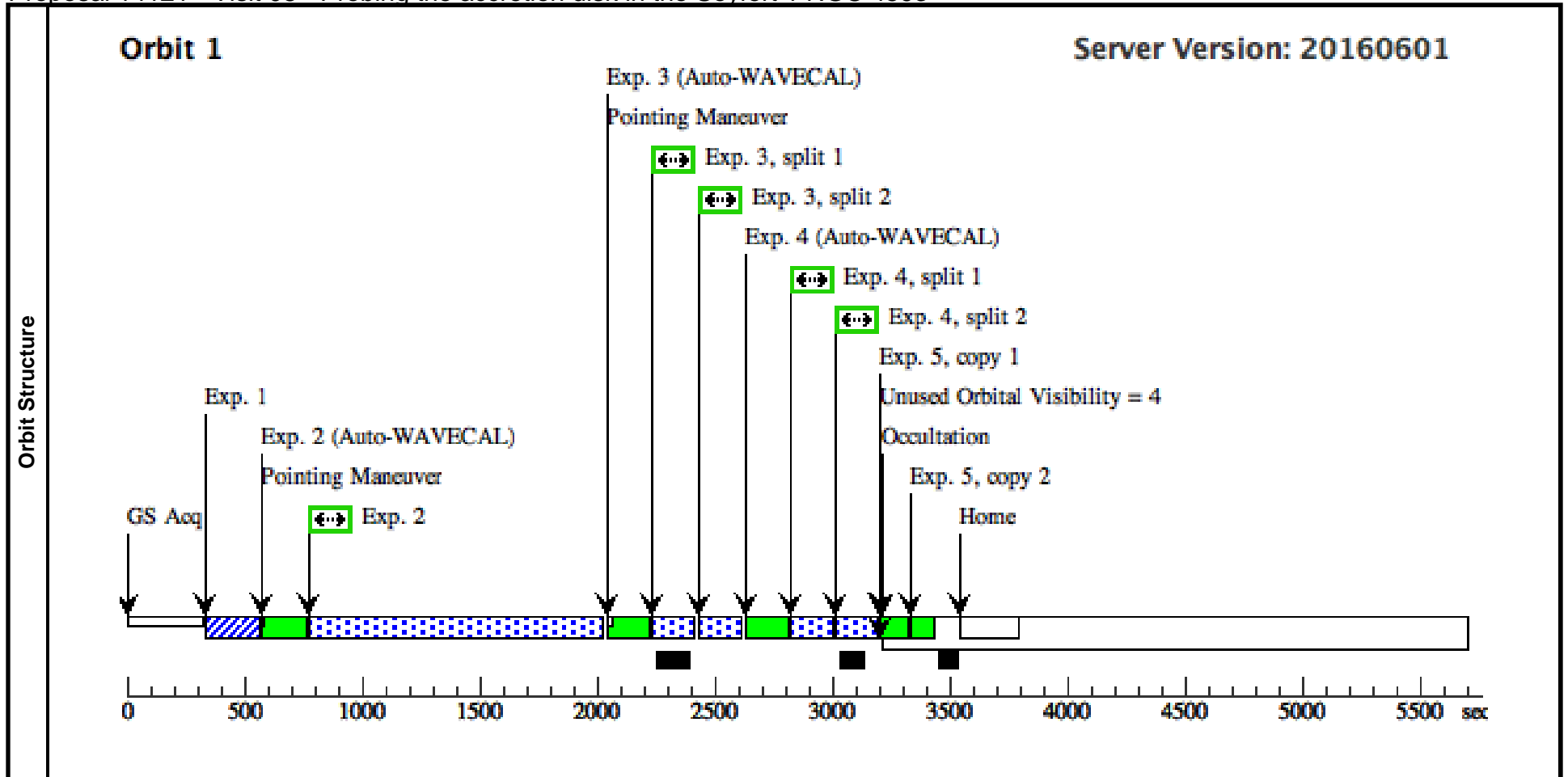
Visit	Proposal 14121, Visit 07, completed Diagnostic Status: No Diagnostics Scientific Instruments: STIS/CCD, STIS/FUV-MAMA Special Requirements: ORIENT 112D TO 112 D; AFTER 01 BY 5.776 D TO 5.976 D																											
	Fixed Targets	<table border="1"> <thead> <tr> <th>#</th> <th>Name</th> <th>Target Coordinates</th> <th>Targ. Coord. Corrections</th> <th>Fluxes</th> <th>Miscellaneous</th> </tr> </thead> <tbody> <tr> <td>(1)</td> <td>NGC-4593</td> <td>RA: 12 39 39.4550 (189.9143958d) Dec: -05 20 39.02 (-5.34417d) Equinox: J2000</td> <td>Redshift: 0.008344</td> <td>V=13.15</td> <td>Reference Frame: ICRS</td> </tr> <tr> <td colspan="6"> <i>Comments: 2MASS position for the AGN used. Verified with 2010 HST/WFC3 image (proposal ID: 11661). SIMBAD V-magnitude and redshift.</i> </td> </tr> </tbody> </table>										#	Name	Target Coordinates	Targ. Coord. Corrections	Fluxes	Miscellaneous	(1)	NGC-4593	RA: 12 39 39.4550 (189.9143958d) Dec: -05 20 39.02 (-5.34417d) Equinox: J2000	Redshift: 0.008344	V=13.15	Reference Frame: ICRS	<i>Comments: 2MASS position for the AGN used. Verified with 2010 HST/WFC3 image (proposal ID: 11661). SIMBAD V-magnitude and redshift.</i>				
#		Name	Target Coordinates	Targ. Coord. Corrections	Fluxes	Miscellaneous																						
(1)	NGC-4593	RA: 12 39 39.4550 (189.9143958d) Dec: -05 20 39.02 (-5.34417d) Equinox: J2000	Redshift: 0.008344	V=13.15	Reference Frame: ICRS																							
<i>Comments: 2MASS position for the AGN used. Verified with 2010 HST/WFC3 image (proposal ID: 11661). SIMBAD V-magnitude and redshift.</i>																												
Exposures	#	Label (ETC Run)	Target	Config,Mode,Aperture	Spectral Els.	Opt. Params.	Special Reqs.	Groups	Exp. Time (Total)/[Actual Dur.]	Orbit																		
	1		(1) NGC-4593	STIS/CCD, ACQ, F28X50LP	MIRROR	ACQTYPE=POINT			1 Secs (1 Secs) [==>]	[1]																		
	2	(STIS.sp.71 6913)	(1) NGC-4593	STIS/FUV-MAMA, ACCUM, 52X0.2	G140L 1425 A				1200 Secs (1234 Secs) [==>1234.0 Secs]	[1]																		
	3		(1) NGC-4593	STIS/CCD, ACCUM, 52X0.2E1	G430L 4300 A	CR-SPLIT=2			230 Secs (298 Secs) [==>149.0 Secs (Split 1)] [==>149.0 Secs (Split 2)]	[1]																		
	4		(1) NGC-4593	STIS/CCD, ACCUM, 52X0.2E1	G750L 7751 A	CR-SPLIT=2; GAIN=4			220 Secs (288 Secs) [==>144.0 Secs (Split 1)] [==>144.0 Secs (Split 2)]	[1]																		
	5		CCDFLAT	STIS/CCD, ACCUM, 52X0.1	G750L 7751 A				[==>(Copy 1)] [==>(Copy 2)]	[1]																		



Proposal 14121 - Visit 08 - Probing the accretion disk in the Seyfert 1 NGC 4593

Wed Sep 07 21:02:35 GMT 2016

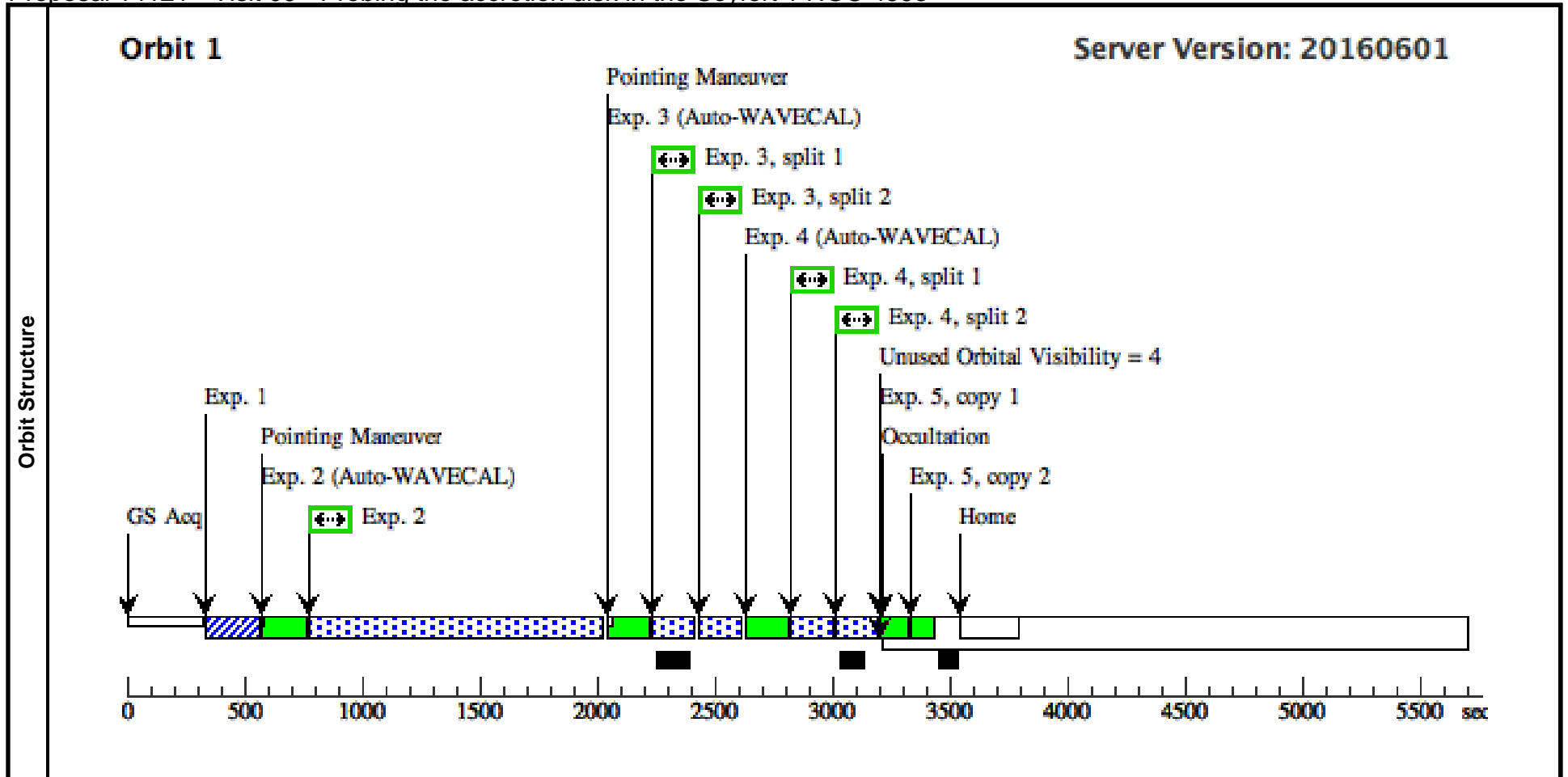
Visit		Proposal 14121, Visit 08, completed Diagnostic Status: No Diagnostics Scientific Instruments: STIS/CCD, STIS/FUV-MAMA Special Requirements: ORIENT 112D TO 112 D; AFTER 01 BY 6.755 D TO 6.955 D								
Fixed Targets	#	Name	Target Coordinates	Targ. Coord. Corrections	Fluxes	Miscellaneous				
		(1)	NGC-4593	RA: 12 39 39.4550 (189.9143958d) Dec: -05 20 39.02 (-5.34417d) Equinox: J2000	Redshift: 0.008344	V=13.15	Reference Frame: ICRS			
<i>Comments: 2MASS position for the AGN used. Verified with 2010 HST/WFC3 image (proposal ID: 11661). SIMBAD V-magnitude and redshift.</i>										
Exposures	#	Label (ETC Run)	Target	Config,Mode,Aperture	Spectral Els.	Opt. Params.	Special Reqs.	Groups	Exp. Time (Total)/[Actual Dur.]	Orbit
	1		(1) NGC-4593	STIS/CCD, ACQ, F28X50LP	MIRROR	ACQTYPE=POINT			1 Secs (1 Secs)	
									[==>]	[1]
	2	(STIS.sp.71 6913)	(1) NGC-4593	STIS/FUV-MAMA, ACCUM, 52X0.2	G140L 1425 A				1200 Secs (1234 Secs)	
									[==>1234.0 Secs]	[1]
	3		(1) NGC-4593	STIS/CCD, ACCUM, 52X0.2E1	G430L 4300 A	CR-SPLIT=2			230 Secs (298 Secs)	
									[==>149.0 Secs (Split 1)] [==>149.0 Secs (Split 2)]	[1]
4		(1) NGC-4593	STIS/CCD, ACCUM, 52X0.2E1	G750L 7751 A	CR-SPLIT=2; GAIN=4			220 Secs (288 Secs)		
								[==>144.0 Secs (Split 1)] [==>144.0 Secs (Split 2)]	[1]	
5		CCDFLAT	STIS/CCD, ACCUM, 52X0.1	G750L 7751 A				[==>(Copy 1)] [==>(Copy 2)]	[1]	



Proposal 14121 - Visit 09 - Probing the accretion disk in the Seyfert 1 NGC 4593

Wed Sep 07 21:02:35 GMT 2016

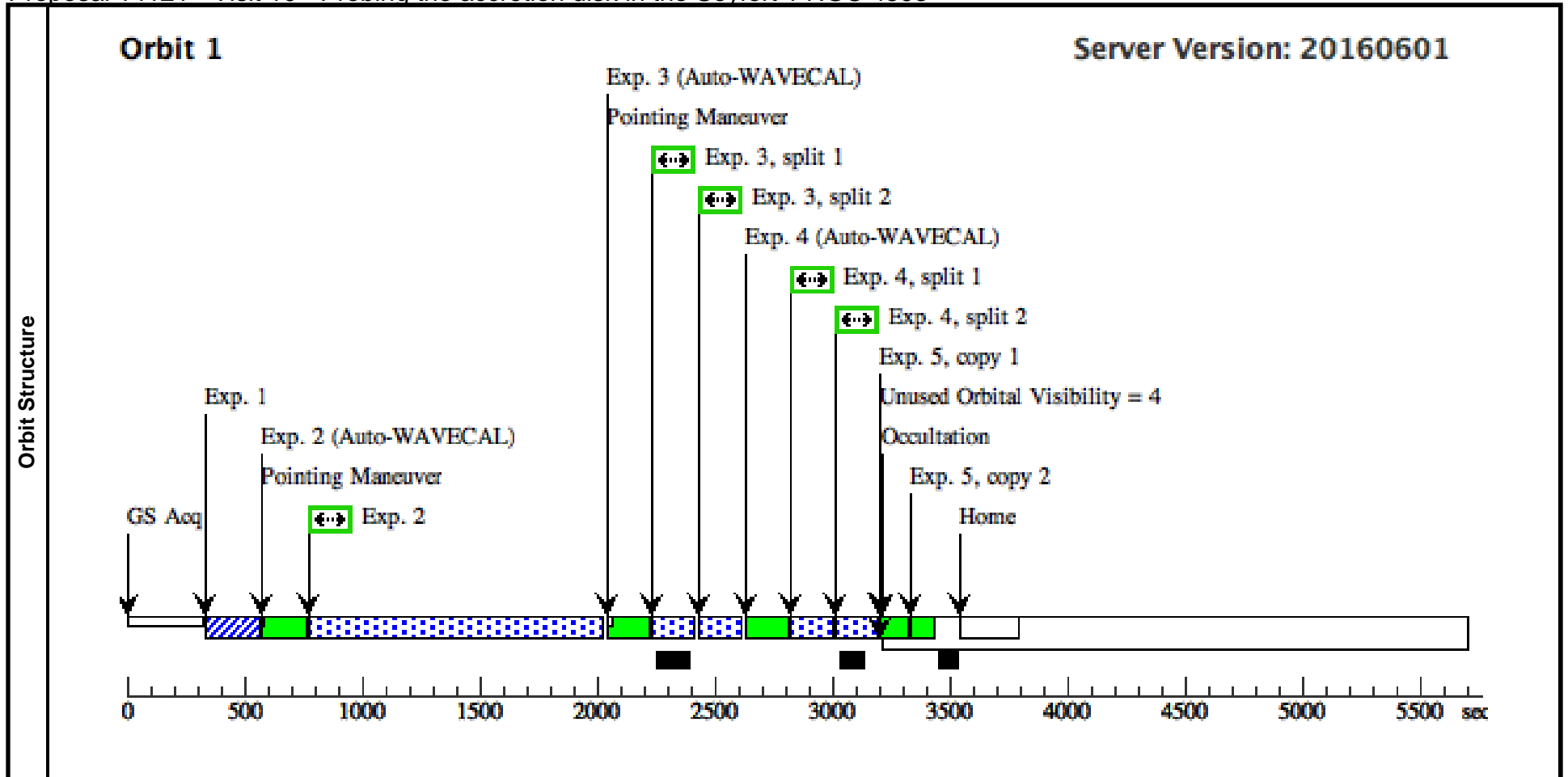
Visit	Proposal 14121, Visit 09, completed Diagnostic Status: No Diagnostics Scientific Instruments: STIS/CCD, STIS/FUV-MAMA Special Requirements: ORIENT 112D TO 112 D; AFTER 01 BY 7.734 D TO 7.934 D									
	Fixed Targets	#	Name	Target Coordinates	Targ. Coord. Corrections	Fluxes	Miscellaneous			
		(1)	NGC-4593	RA: 12 39 39.4550 (189.9143958d) Dec: -05 20 39.02 (-5.34417d) Equinox: J2000	Redshift: 0.008344	V=13.15	Reference Frame: ICRS			
	<i>Comments: 2MASS position for the AGN used. Verified with 2010 HST/WFC3 image (proposal ID: 11661).</i> <i>SIMBAD V-magnitude and redshift.</i>									
Exposures	#	Label (ETC Run)	Target	Config,Mode,Aperture	Spectral Els.	Opt. Params.	Special Reqs.	Groups	Exp. Time (Total)/[Actual Dur.]	Orbit
	1		(1) NGC-4593	STIS/CCD, ACQ, F28X50LP	MIRROR	ACQTYPE=POINT			1 Secs (1 Secs)	
									[==>]	[1]
	2	(STIS.sp.71 6913)	(1) NGC-4593	STIS/FUV-MAMA, ACCUM, 52X0.2	G140L 1425 A				1200 Secs (1234 Secs)	
									[==>1234.0 Secs]	[1]
	3		(1) NGC-4593	STIS/CCD, ACCUM, 52X0.2E1	G430L 4300 A	CR-SPLIT=2			230 Secs (298 Secs)	
									[==>149.0 Secs (Split 1)] [==>149.0 Secs (Split 2)]	[1]
4		(1) NGC-4593	STIS/CCD, ACCUM, 52X0.2E1	G750L 7751 A	CR-SPLIT=2; GAIN=4			220 Secs (288 Secs)		
								[==>144.0 Secs (Split 1)] [==>144.0 Secs (Split 2)]	[1]	
5		CCDFLAT	STIS/CCD, ACCUM, 52X0.1	G750L 7751 A				[==>(Copy 1)] [==>(Copy 2)]	[1]	



Proposal 14121 - Visit 10 - Probing the accretion disk in the Seyfert 1 NGC 4593

Wed Sep 07 21:02:35 GMT 2016

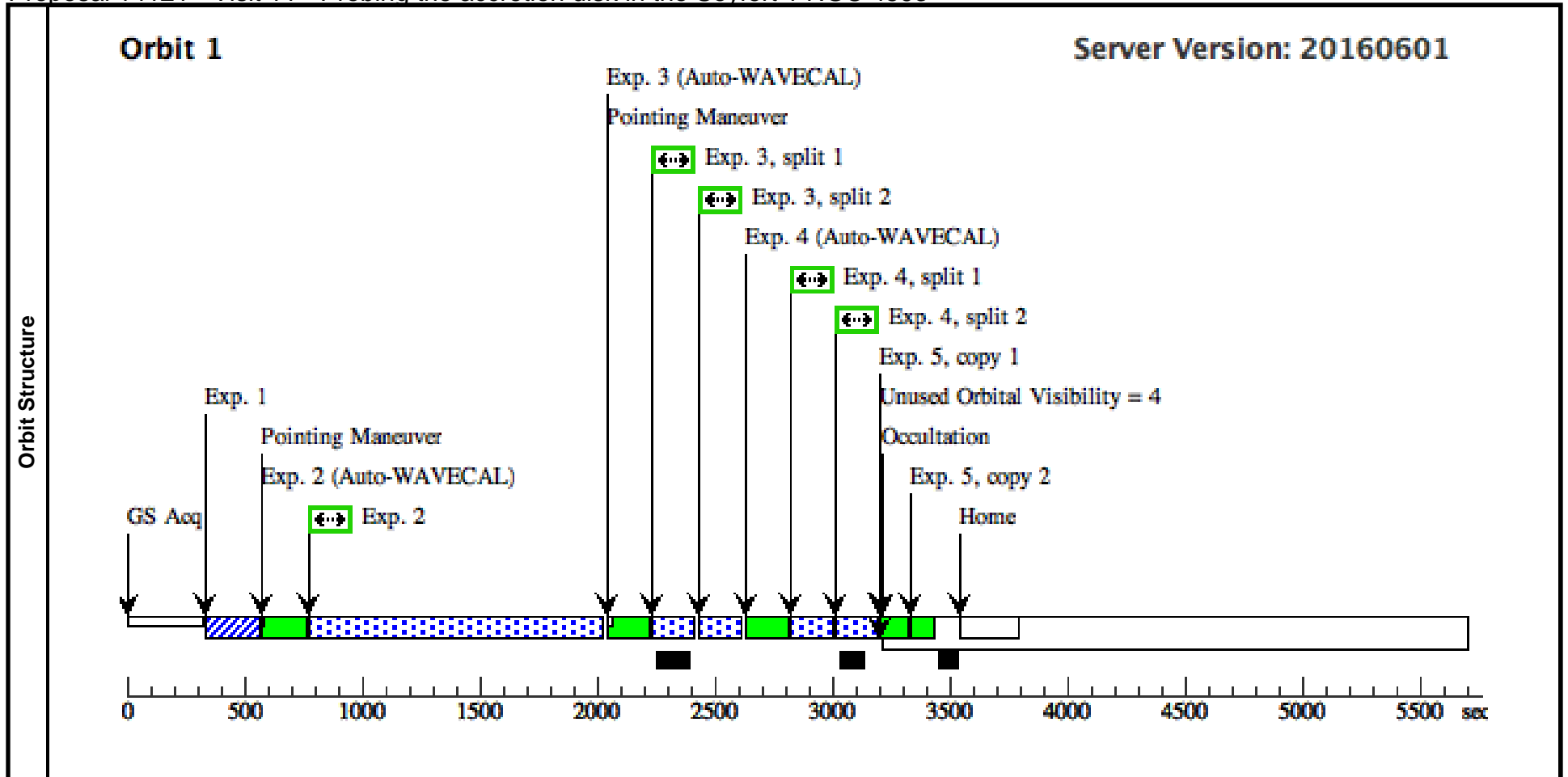
Visit	Proposal 14121, Visit 10, completed Diagnostic Status: No Diagnostics Scientific Instruments: STIS/CCD, STIS/FUV-MAMA Special Requirements: ORIENT 112D TO 112 D; AFTER 01 BY 8.714 D TO 8.914 D																											
	Fixed Targets	<table border="1"> <thead> <tr> <th>#</th> <th>Name</th> <th>Target Coordinates</th> <th>Targ. Coord. Corrections</th> <th>Fluxes</th> <th>Miscellaneous</th> </tr> </thead> <tbody> <tr> <td>(1)</td> <td>NGC-4593</td> <td>RA: 12 39 39.4550 (189.9143958d) Dec: -05 20 39.02 (-5.34417d) Equinox: J2000</td> <td>Redshift: 0.008344</td> <td>V=13.15</td> <td>Reference Frame: ICRS</td> </tr> <tr> <td colspan="6"> <i>Comments: 2MASS position for the AGN used. Verified with 2010 HST/WFC3 image (proposal ID: 11661).</i> <i>SIMBAD V-magnitude and redshift.</i> </td> </tr> </tbody> </table>										#	Name	Target Coordinates	Targ. Coord. Corrections	Fluxes	Miscellaneous	(1)	NGC-4593	RA: 12 39 39.4550 (189.9143958d) Dec: -05 20 39.02 (-5.34417d) Equinox: J2000	Redshift: 0.008344	V=13.15	Reference Frame: ICRS	<i>Comments: 2MASS position for the AGN used. Verified with 2010 HST/WFC3 image (proposal ID: 11661).</i> <i>SIMBAD V-magnitude and redshift.</i>				
#		Name	Target Coordinates	Targ. Coord. Corrections	Fluxes	Miscellaneous																						
(1)	NGC-4593	RA: 12 39 39.4550 (189.9143958d) Dec: -05 20 39.02 (-5.34417d) Equinox: J2000	Redshift: 0.008344	V=13.15	Reference Frame: ICRS																							
<i>Comments: 2MASS position for the AGN used. Verified with 2010 HST/WFC3 image (proposal ID: 11661).</i> <i>SIMBAD V-magnitude and redshift.</i>																												
Exposures	#	Label (ETC Run)	Target	Config,Mode,Aperture	Spectral Els.	Opt. Params.	Special Reqs.	Groups	Exp. Time (Total)/[Actual Dur.]	Orbit																		
	1		(1) NGC-4593	STIS/CCD, ACQ, F28X50LP	MIRROR	ACQTYPE=POINT			1 Secs (1 Secs) [==>]	[1]																		
	2	(STIS.sp.71 6913)	(1) NGC-4593	STIS/FUV-MAMA, ACCUM, 52X0.2	G140L 1425 A				1200 Secs (1234 Secs) [==>1234.0 Secs]	[1]																		
	3		(1) NGC-4593	STIS/CCD, ACCUM, 52X0.2E1	G430L 4300 A	CR-SPLIT=2			230 Secs (298 Secs) [==>149.0 Secs (Split 1)] [==>149.0 Secs (Split 2)]	[1]																		
	4		(1) NGC-4593	STIS/CCD, ACCUM, 52X0.2E1	G750L 7751 A	CR-SPLIT=2; GAIN=4			220 Secs (288 Secs) [==>144.0 Secs (Split 1)] [==>144.0 Secs (Split 2)]	[1]																		
	5		CCDFLAT	STIS/CCD, ACCUM, 52X0.1	G750L 7751 A				[==>(Copy 1)] [==>(Copy 2)]	[1]																		



Proposal 14121 - Visit 11 - Probing the accretion disk in the Seyfert 1 NGC 4593

Wed Sep 07 21:02:35 GMT 2016

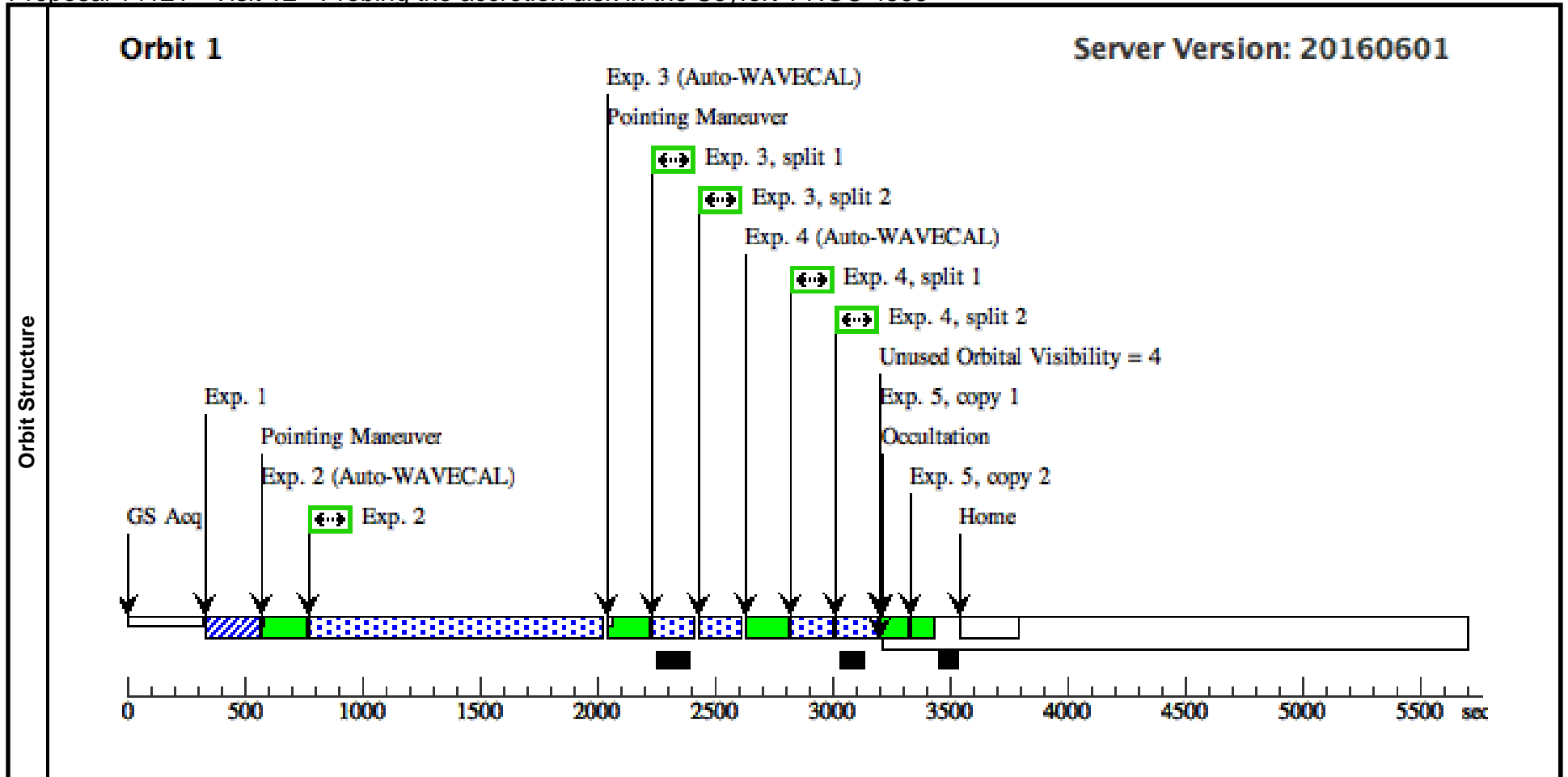
Visit	Proposal 14121, Visit 11, completed Diagnostic Status: No Diagnostics Scientific Instruments: STIS/CCD, STIS/FUV-MAMA Special Requirements: ORIENT 112D TO 112 D; AFTER 01 BY 9.693 D TO 9.893 D																											
	Fixed Targets	<table border="1"> <thead> <tr> <th>#</th> <th>Name</th> <th>Target Coordinates</th> <th>Targ. Coord. Corrections</th> <th>Fluxes</th> <th>Miscellaneous</th> </tr> </thead> <tbody> <tr> <td>(1)</td> <td>NGC-4593</td> <td>RA: 12 39 39.4550 (189.9143958d) Dec: -05 20 39.02 (-5.34417d) Equinox: J2000</td> <td>Redshift: 0.008344</td> <td>V=13.15</td> <td>Reference Frame: ICRS</td> </tr> <tr> <td colspan="6"> <i>Comments: 2MASS position for the AGN used. Verified with 2010 HST/WFC3 image (proposal ID: 11661). SIMBAD V-magnitude and redshift.</i> </td> </tr> </tbody> </table>										#	Name	Target Coordinates	Targ. Coord. Corrections	Fluxes	Miscellaneous	(1)	NGC-4593	RA: 12 39 39.4550 (189.9143958d) Dec: -05 20 39.02 (-5.34417d) Equinox: J2000	Redshift: 0.008344	V=13.15	Reference Frame: ICRS	<i>Comments: 2MASS position for the AGN used. Verified with 2010 HST/WFC3 image (proposal ID: 11661). SIMBAD V-magnitude and redshift.</i>				
#		Name	Target Coordinates	Targ. Coord. Corrections	Fluxes	Miscellaneous																						
(1)	NGC-4593	RA: 12 39 39.4550 (189.9143958d) Dec: -05 20 39.02 (-5.34417d) Equinox: J2000	Redshift: 0.008344	V=13.15	Reference Frame: ICRS																							
<i>Comments: 2MASS position for the AGN used. Verified with 2010 HST/WFC3 image (proposal ID: 11661). SIMBAD V-magnitude and redshift.</i>																												
Exposures	#	Label (ETC Run)	Target	Config,Mode,Aperture	Spectral Els.	Opt. Params.	Special Reqs.	Groups	Exp. Time (Total)/[Actual Dur.]	Orbit																		
	1		(1) NGC-4593	STIS/CCD, ACQ, F28X50LP	MIRROR	ACQTYPE=POINT			1 Secs (1 Secs) [==>]	[1]																		
	2	(STIS.sp.71 6913)	(1) NGC-4593	STIS/FUV-MAMA, ACCUM, 52X0.2	G140L 1425 A				1200 Secs (1234 Secs) [==>1234.0 Secs]	[1]																		
	3		(1) NGC-4593	STIS/CCD, ACCUM, 52X0.2E1	G430L 4300 A	CR-SPLIT=2			230 Secs (298 Secs) [==>149.0 Secs (Split 1)] [==>149.0 Secs (Split 2)]	[1]																		
	4		(1) NGC-4593	STIS/CCD, ACCUM, 52X0.2E1	G750L 7751 A	CR-SPLIT=2; GAIN=4			220 Secs (288 Secs) [==>144.0 Secs (Split 1)] [==>144.0 Secs (Split 2)]	[1]																		
	5		CCDFLAT	STIS/CCD, ACCUM, 52X0.1	G750L 7751 A				[==>(Copy 1)] [==>(Copy 2)]	[1]																		



Proposal 14121 - Visit 12 - Probing the accretion disk in the Seyfert 1 NGC 4593

Wed Sep 07 21:02:35 GMT 2016

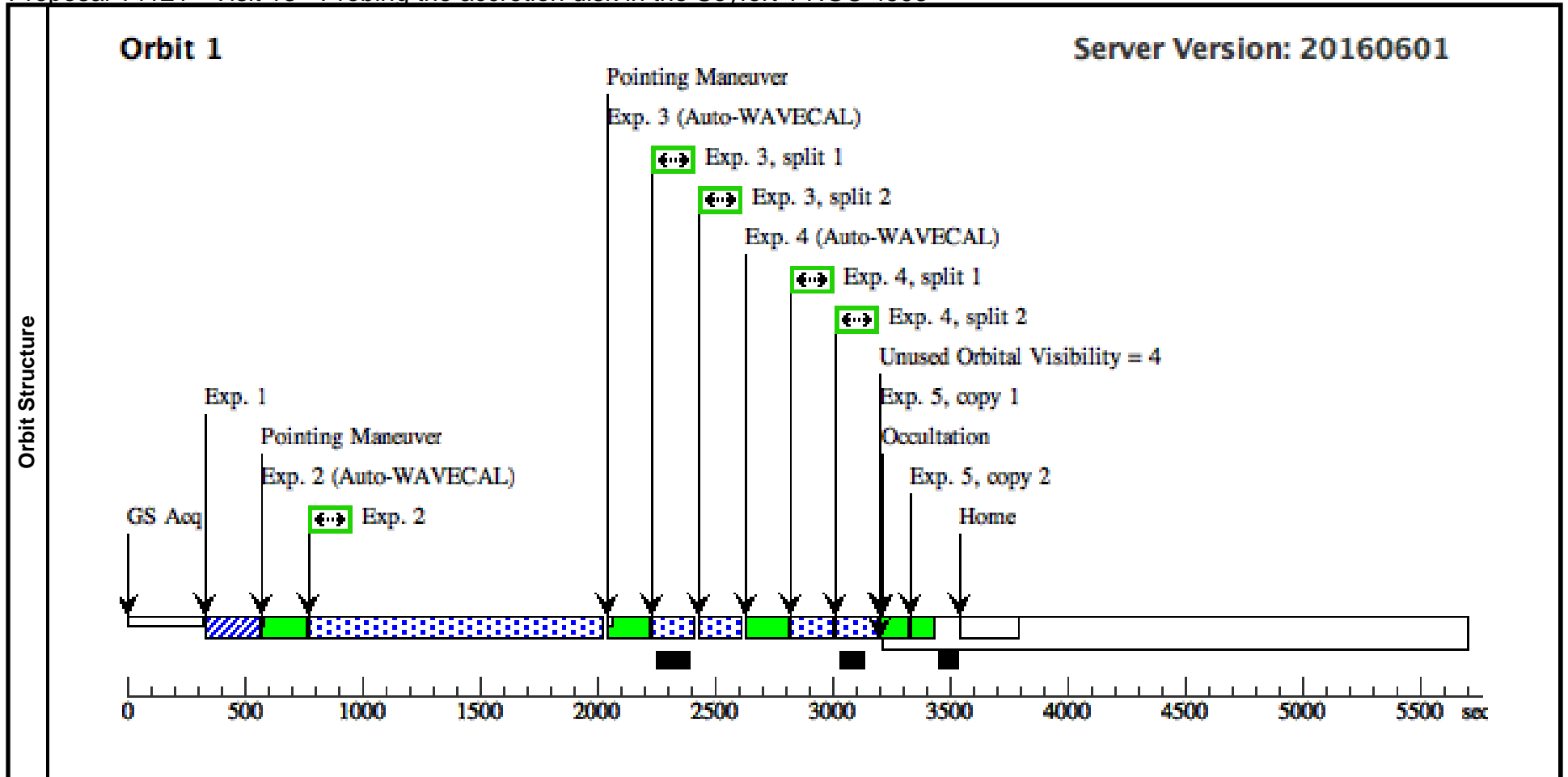
Visit	Proposal 14121, Visit 12, completed Diagnostic Status: No Diagnostics Scientific Instruments: STIS/CCD, STIS/FUV-MAMA Special Requirements: ORIENT 112D TO 112 D; AFTER 01 BY 10.672 D TO 10.872 D									
	Fixed Targets	#	Name	Target Coordinates	Targ. Coord. Corrections	Fluxes	Miscellaneous			
		(1)	NGC-4593	RA: 12 39 39.4550 (189.9143958d) Dec: -05 20 39.02 (-5.34417d) Equinox: J2000	Redshift: 0.008344	V=13.15	Reference Frame: ICRS			
	<i>Comments: 2MASS position for the AGN used. Verified with 2010 HST/WFC3 image (proposal ID: 11661). SIMBAD V-magnitude and redshift.</i>									
Exposures	#	Label (ETC Run)	Target	Config,Mode,Aperture	Spectral Els.	Opt. Params.	Special Reqs.	Groups	Exp. Time (Total)/[Actual Dur.]	Orbit
	1		(1) NGC-4593	STIS/CCD, ACQ, F28X50LP	MIRROR	ACQTYPE=POINT			1 Secs (1 Secs) [==>]	[1]
	2	(STIS.sp.71 6913)	(1) NGC-4593	STIS/FUV-MAMA, ACCUM, 52X0.2	G140L 1425 A				1200 Secs (1234 Secs) [==>1234.0 Secs]	[1]
	3		(1) NGC-4593	STIS/CCD, ACCUM, 52X0.2E1	G430L 4300 A	CR-SPLIT=2			230 Secs (298 Secs) [==>149.0 Secs (Split 1)] [==>149.0 Secs (Split 2)]	[1]
	4		(1) NGC-4593	STIS/CCD, ACCUM, 52X0.2E1	G750L 7751 A	CR-SPLIT=2; GAIN=4			220 Secs (288 Secs) [==>144.0 Secs (Split 1)] [==>144.0 Secs (Split 2)]	[1]
	5		CCDFLAT	STIS/CCD, ACCUM, 52X0.1	G750L 7751 A				[==>(Copy 1)] [==>(Copy 2)]	[1]



Proposal 14121 - Visit 13 - Probing the accretion disk in the Seyfert 1 NGC 4593

Wed Sep 07 21:02:35 GMT 2016

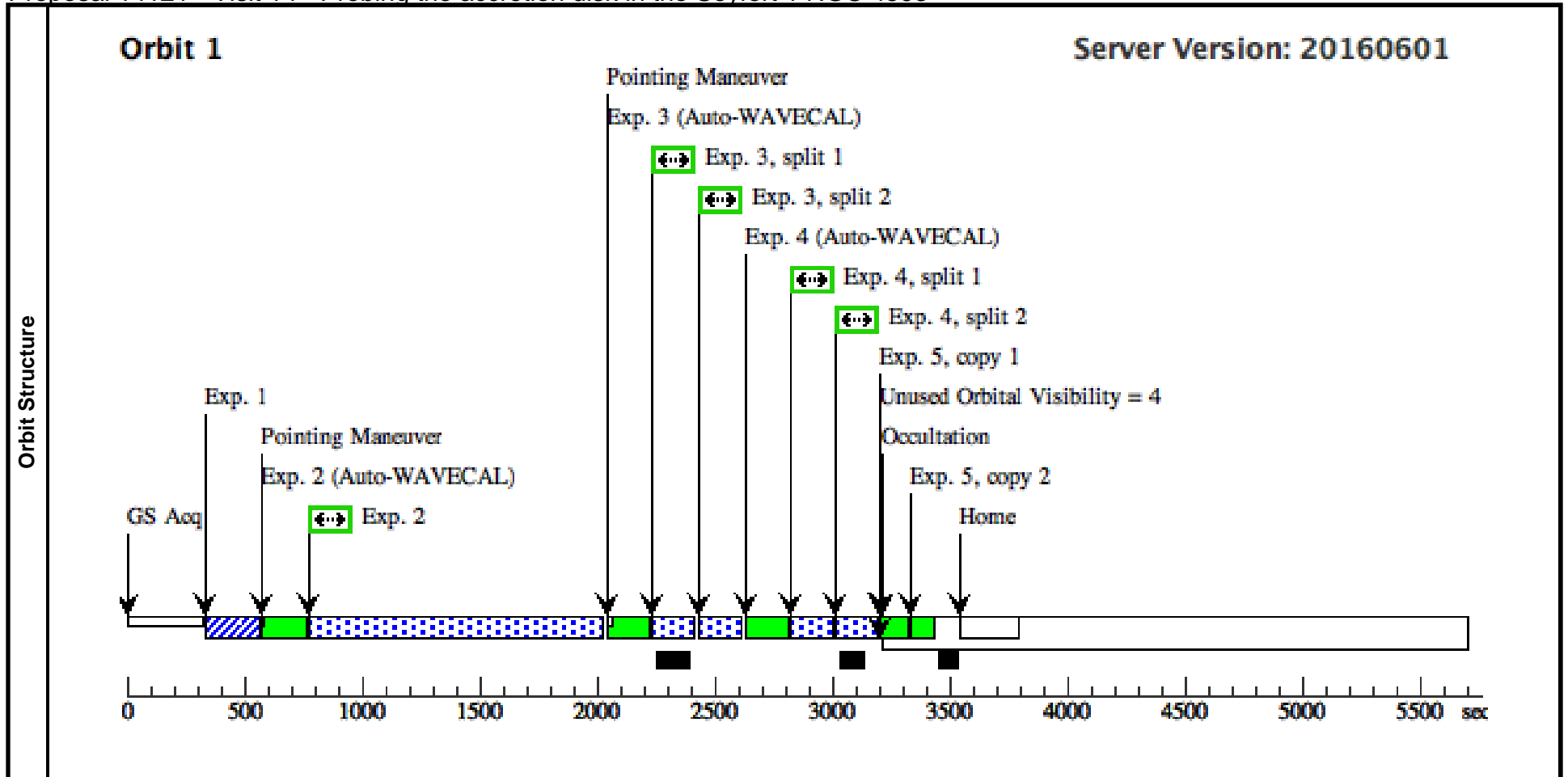
Visit	Proposal 14121, Visit 13, completed Diagnostic Status: No Diagnostics Scientific Instruments: STIS/CCD, STIS/FUV-MAMA Special Requirements: ORIENT 112D TO 112 D; AFTER 01 BY 11.652 D TO 11.852 D									
	Fixed Targets	#	Name	Target Coordinates	Targ. Coord. Corrections	Fluxes	Miscellaneous			
		(1)	NGC-4593	RA: 12 39 39.4550 (189.9143958d) Dec: -05 20 39.02 (-5.34417d) Equinox: J2000	Redshift: 0.008344	V=13.15	Reference Frame: ICRS			
	<i>Comments: 2MASS position for the AGN used. Verified with 2010 HST/WFC3 image (proposal ID: 11661). SIMBAD V-magnitude and redshift.</i>									
Exposures	#	Label (ETC Run)	Target	Config,Mode,Aperture	Spectral Els.	Opt. Params.	Special Reqs.	Groups	Exp. Time (Total)/[Actual Dur.]	Orbit
	1		(1) NGC-4593	STIS/CCD, ACQ, F28X50LP	MIRROR	ACQTYPE=POINT			1 Secs (1 Secs)	
									[==>]	[1]
	2	(STIS.sp.71 6913)	(1) NGC-4593	STIS/FUV-MAMA, ACCUM, 52X0.2	G140L 1425 A				1200 Secs (1234 Secs)	
									[==>1234.0 Secs]	[1]
	3		(1) NGC-4593	STIS/CCD, ACCUM, 52X0.2E1	G430L 4300 A	CR-SPLIT=2			230 Secs (298 Secs)	
									[==>149.0 Secs (Split 1)] [==>149.0 Secs (Split 2)]	[1]
4		(1) NGC-4593	STIS/CCD, ACCUM, 52X0.2E1	G750L 7751 A	CR-SPLIT=2; GAIN=4			220 Secs (288 Secs)		
								[==>144.0 Secs (Split 1)] [==>144.0 Secs (Split 2)]	[1]	
5		CCDFLAT	STIS/CCD, ACCUM, 52X0.1	G750L 7751 A				[==>(Copy 1)] [==>(Copy 2)]	[1]	



Proposal 14121 - Visit 14 - Probing the accretion disk in the Seyfert 1 NGC 4593

Wed Sep 07 21:02:35 GMT 2016

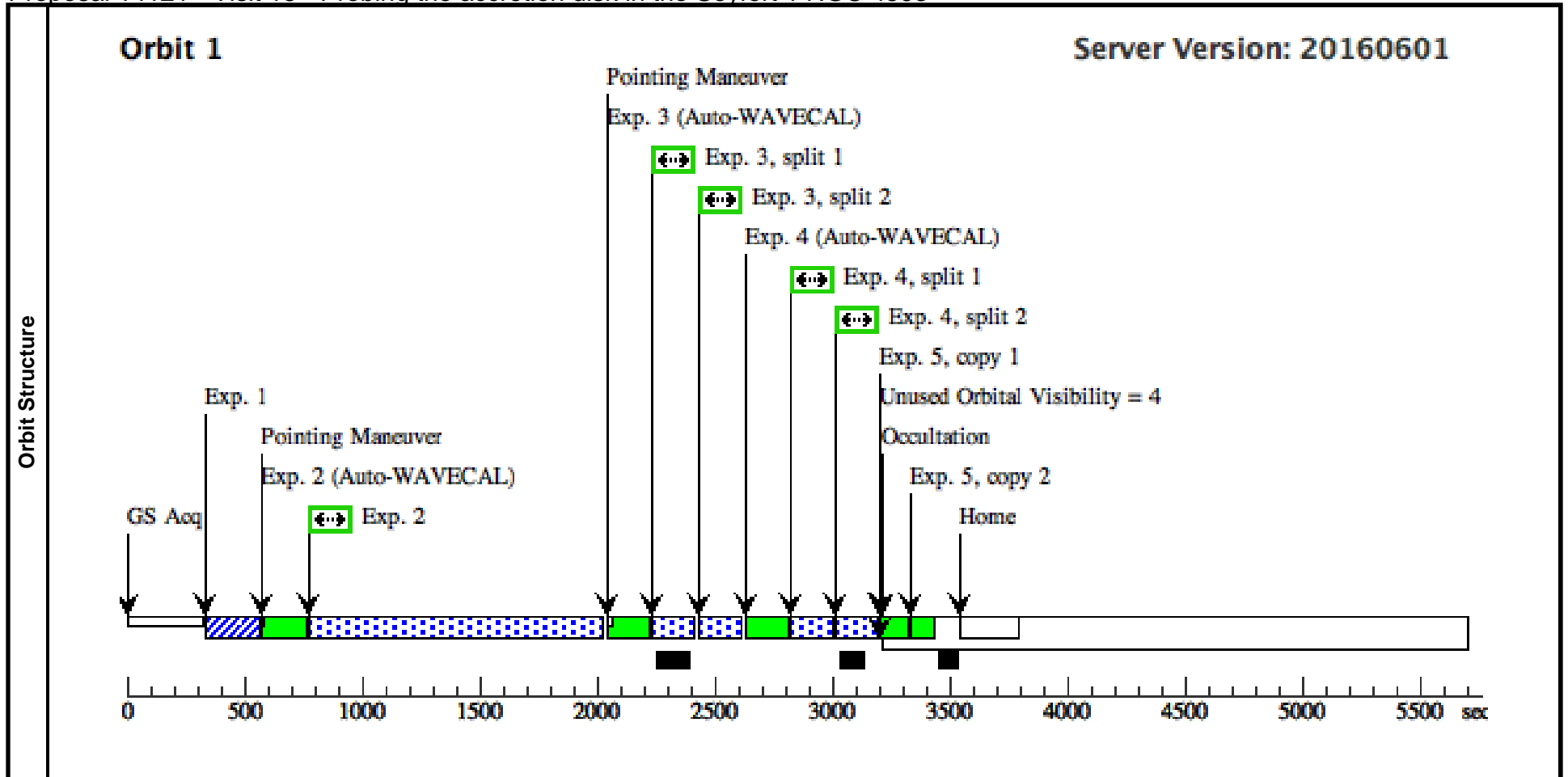
Visit	Proposal 14121, Visit 14, completed Diagnostic Status: No Diagnostics Scientific Instruments: STIS/CCD, STIS/FUV-MAMA Special Requirements: ORIENT 112D TO 112 D; AFTER 01 BY 12.631 D TO 12.831 D									
	Fixed Targets	#	Name	Target Coordinates	Targ. Coord. Corrections	Fluxes	Miscellaneous			
		(1)	NGC-4593	RA: 12 39 39.4550 (189.9143958d) Dec: -05 20 39.02 (-5.34417d) Equinox: J2000	Redshift: 0.008344	V=13.15	Reference Frame: ICRS			
	Comments: 2MASS position for the AGN used. Verified with 2010 HST/WFC3 image (proposal ID: 11661). SIMBAD V-magnitude and redshift.									
Exposures	#	Label (ETC Run)	Target	Config,Mode,Aperture	Spectral Els.	Opt. Params.	Special Reqs.	Groups	Exp. Time (Total)/[Actual Dur.]	Orbit
	1		(1) NGC-4593	STIS/CCD, ACQ, F28X50LP	MIRROR	ACQTYPE=POINT			1 Secs (1 Secs)	
									[==>]	[1]
	2	(STIS.sp.71 6913)	(1) NGC-4593	STIS/FUV-MAMA, ACCUM, 52X0.2	G140L 1425 A				1200 Secs (1234 Secs)	
									[==>1234.0 Secs]	[1]
	3		(1) NGC-4593	STIS/CCD, ACCUM, 52X0.2E1	G430L 4300 A	CR-SPLIT=2			230 Secs (298 Secs)	
									[==>149.0 Secs (Split 1)] [==>149.0 Secs (Split 2)]	[1]
4		(1) NGC-4593	STIS/CCD, ACCUM, 52X0.2E1	G750L 7751 A	CR-SPLIT=2; GAIN=4			220 Secs (288 Secs)		
								[==>144.0 Secs (Split 1)] [==>144.0 Secs (Split 2)]	[1]	
5		CCDFLAT	STIS/CCD, ACCUM, 52X0.1	G750L 7751 A				[==>(Copy 1)] [==>(Copy 2)]	[1]	



Proposal 14121 - Visit 15 - Probing the accretion disk in the Seyfert 1 NGC 4593

Wed Sep 07 21:02:35 GMT 2016

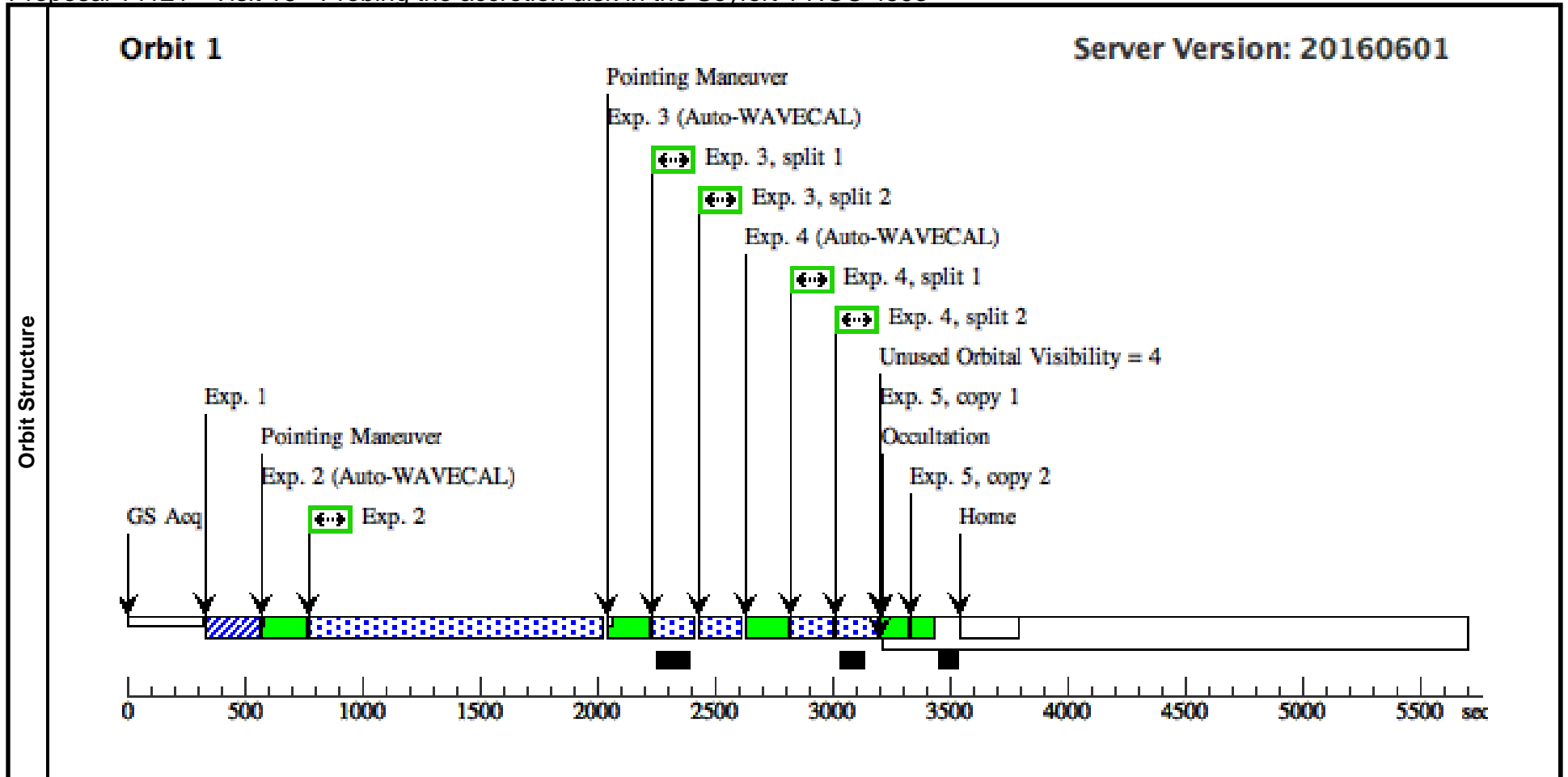
Visit	Proposal 14121, Visit 15, completed Diagnostic Status: No Diagnostics Scientific Instruments: STIS/CCD, STIS/FUV-MAMA Special Requirements: ORIENT 112D TO 112 D; AFTER 01 BY 13.610 D TO 13.810 D																											
	Fixed Targets	<table border="1"> <thead> <tr> <th>#</th> <th>Name</th> <th>Target Coordinates</th> <th>Targ. Coord. Corrections</th> <th>Fluxes</th> <th>Miscellaneous</th> </tr> </thead> <tbody> <tr> <td>(1)</td> <td>NGC-4593</td> <td>RA: 12 39 39.4550 (189.9143958d) Dec: -05 20 39.02 (-5.34417d) Equinox: J2000</td> <td>Redshift: 0.008344</td> <td>V=13.15</td> <td>Reference Frame: ICRS</td> </tr> <tr> <td colspan="6"> <i>Comments: 2MASS position for the AGN used. Verified with 2010 HST/WFC3 image (proposal ID: 11661). SIMBAD V-magnitude and redshift.</i> </td> </tr> </tbody> </table>										#	Name	Target Coordinates	Targ. Coord. Corrections	Fluxes	Miscellaneous	(1)	NGC-4593	RA: 12 39 39.4550 (189.9143958d) Dec: -05 20 39.02 (-5.34417d) Equinox: J2000	Redshift: 0.008344	V=13.15	Reference Frame: ICRS	<i>Comments: 2MASS position for the AGN used. Verified with 2010 HST/WFC3 image (proposal ID: 11661). SIMBAD V-magnitude and redshift.</i>				
#		Name	Target Coordinates	Targ. Coord. Corrections	Fluxes	Miscellaneous																						
(1)	NGC-4593	RA: 12 39 39.4550 (189.9143958d) Dec: -05 20 39.02 (-5.34417d) Equinox: J2000	Redshift: 0.008344	V=13.15	Reference Frame: ICRS																							
<i>Comments: 2MASS position for the AGN used. Verified with 2010 HST/WFC3 image (proposal ID: 11661). SIMBAD V-magnitude and redshift.</i>																												
Exposures	#	Label (ETC Run)	Target	Config,Mode,Aperture	Spectral Els.	Opt. Params.	Special Reqs.	Groups	Exp. Time (Total)/[Actual Dur.]	Orbit																		
	1		(1) NGC-4593	STIS/CCD, ACQ, F28X50LP	MIRROR	ACQTYPE=POINT			1 Secs (1 Secs) [==>]	[1]																		
	2	(STIS.sp.71 6913)	(1) NGC-4593	STIS/FUV-MAMA, ACCUM, 52X0.2	G140L 1425 A				1200 Secs (1234 Secs) [==>1234.0 Secs]	[1]																		
	3		(1) NGC-4593	STIS/CCD, ACCUM, 52X0.2E1	G430L 4300 A	CR-SPLIT=2			230 Secs (298 Secs) [==>149.0 Secs (Split 1)] [==>149.0 Secs (Split 2)]	[1]																		
	4		(1) NGC-4593	STIS/CCD, ACCUM, 52X0.2E1	G750L 7751 A	CR-SPLIT=2; GAIN=4			220 Secs (288 Secs) [==>144.0 Secs (Split 1)] [==>144.0 Secs (Split 2)]	[1]																		
	5		CCDFLAT	STIS/CCD, ACCUM, 52X0.1	G750L 7751 A				[==>(Copy 1)] [==>(Copy 2)]	[1]																		



Proposal 14121 - Visit 16 - Probing the accretion disk in the Seyfert 1 NGC 4593

Wed Sep 07 21:02:35 GMT 2016

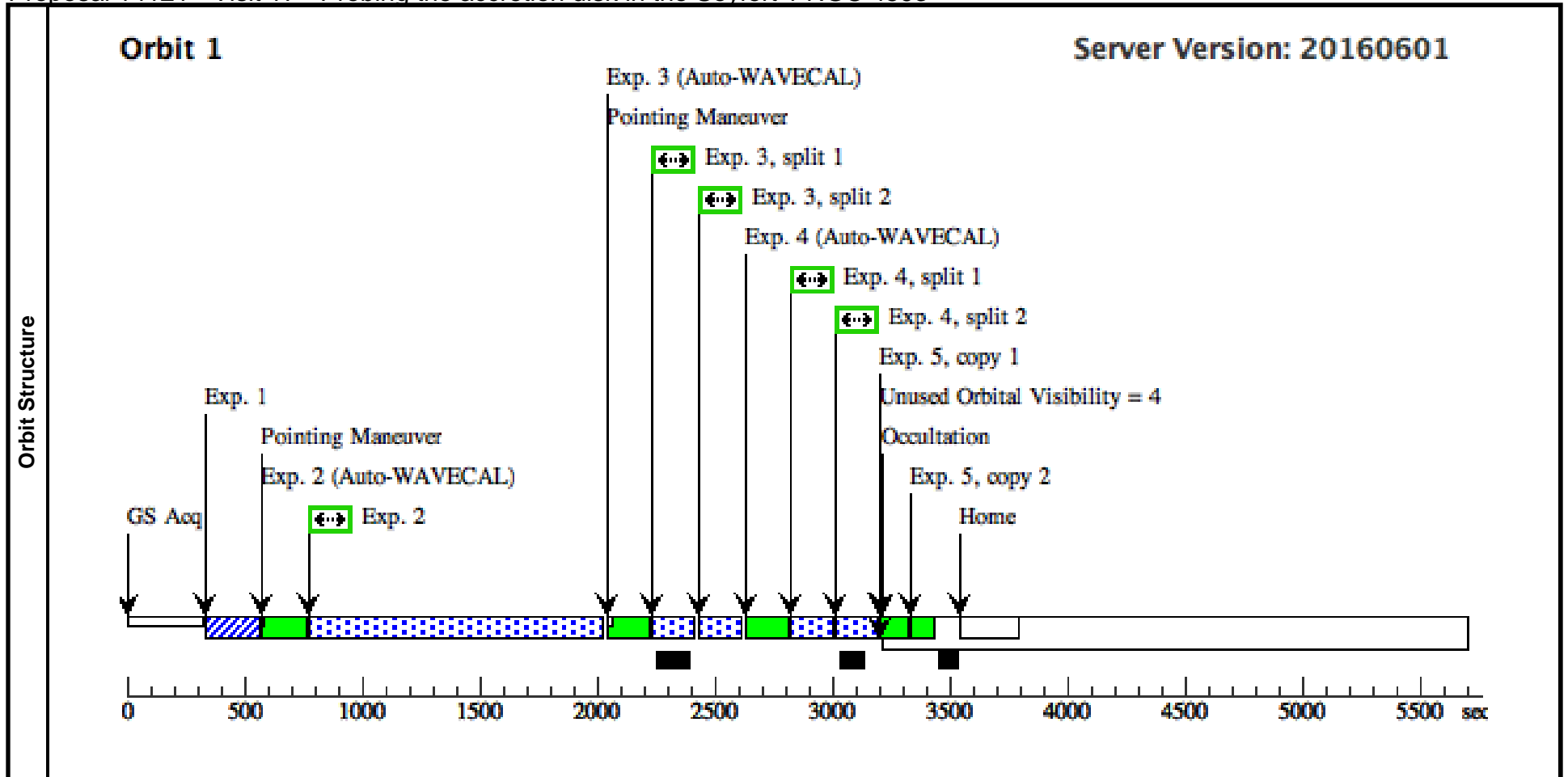
Visit	Proposal 14121, Visit 16, completed Diagnostic Status: No Diagnostics Scientific Instruments: STIS/CCD, STIS/FUV-MAMA Special Requirements: ORIENT 112D TO 112 D; AFTER 01 BY 14.590 D TO 14.790 D																											
	Fixed Targets	<table border="1"> <thead> <tr> <th>#</th> <th>Name</th> <th>Target Coordinates</th> <th>Targ. Coord. Corrections</th> <th>Fluxes</th> <th>Miscellaneous</th> </tr> </thead> <tbody> <tr> <td>(1)</td> <td>NGC-4593</td> <td>RA: 12 39 39.4550 (189.9143958d) Dec: -05 20 39.02 (-5.34417d) Equinox: J2000</td> <td>Redshift: 0.008344</td> <td>V=13.15</td> <td>Reference Frame: ICRS</td> </tr> <tr> <td colspan="6"> <i>Comments: 2MASS position for the AGN used. Verified with 2010 HST/WFC3 image (proposal ID: 11661). SIMBAD V-magnitude and redshift.</i> </td> </tr> </tbody> </table>										#	Name	Target Coordinates	Targ. Coord. Corrections	Fluxes	Miscellaneous	(1)	NGC-4593	RA: 12 39 39.4550 (189.9143958d) Dec: -05 20 39.02 (-5.34417d) Equinox: J2000	Redshift: 0.008344	V=13.15	Reference Frame: ICRS	<i>Comments: 2MASS position for the AGN used. Verified with 2010 HST/WFC3 image (proposal ID: 11661). SIMBAD V-magnitude and redshift.</i>				
#		Name	Target Coordinates	Targ. Coord. Corrections	Fluxes	Miscellaneous																						
(1)	NGC-4593	RA: 12 39 39.4550 (189.9143958d) Dec: -05 20 39.02 (-5.34417d) Equinox: J2000	Redshift: 0.008344	V=13.15	Reference Frame: ICRS																							
<i>Comments: 2MASS position for the AGN used. Verified with 2010 HST/WFC3 image (proposal ID: 11661). SIMBAD V-magnitude and redshift.</i>																												
Exposures	#	Label (ETC Run)	Target	Config,Mode,Aperture	Spectral Els.	Opt. Params.	Special Reqs.	Groups	Exp. Time (Total)/[Actual Dur.]	Orbit																		
	1		(1) NGC-4593	STIS/CCD, ACQ, F28X50LP	MIRROR	ACQTYPE=POINT			1 Secs (1 Secs) [==>]	[1]																		
	2	(STIS.sp.71 6913)	(1) NGC-4593	STIS/FUV-MAMA, ACCUM, 52X0.2	G140L 1425 A				1200 Secs (1234 Secs) [==>1234.0 Secs]	[1]																		
	3		(1) NGC-4593	STIS/CCD, ACCUM, 52X0.2E1	G430L 4300 A	CR-SPLIT=2			230 Secs (298 Secs) [==>149.0 Secs (Split 1)] [==>149.0 Secs (Split 2)]	[1]																		
	4		(1) NGC-4593	STIS/CCD, ACCUM, 52X0.2E1	G750L 7751 A	CR-SPLIT=2; GAIN=4			220 Secs (288 Secs) [==>144.0 Secs (Split 1)] [==>144.0 Secs (Split 2)]	[1]																		
	5		CCDFLAT	STIS/CCD, ACCUM, 52X0.1	G750L 7751 A				[==>(Copy 1)] [==>(Copy 2)]	[1]																		



Proposal 14121 - Visit 17 - Probing the accretion disk in the Seyfert 1 NGC 4593

Wed Sep 07 21:02:35 GMT 2016

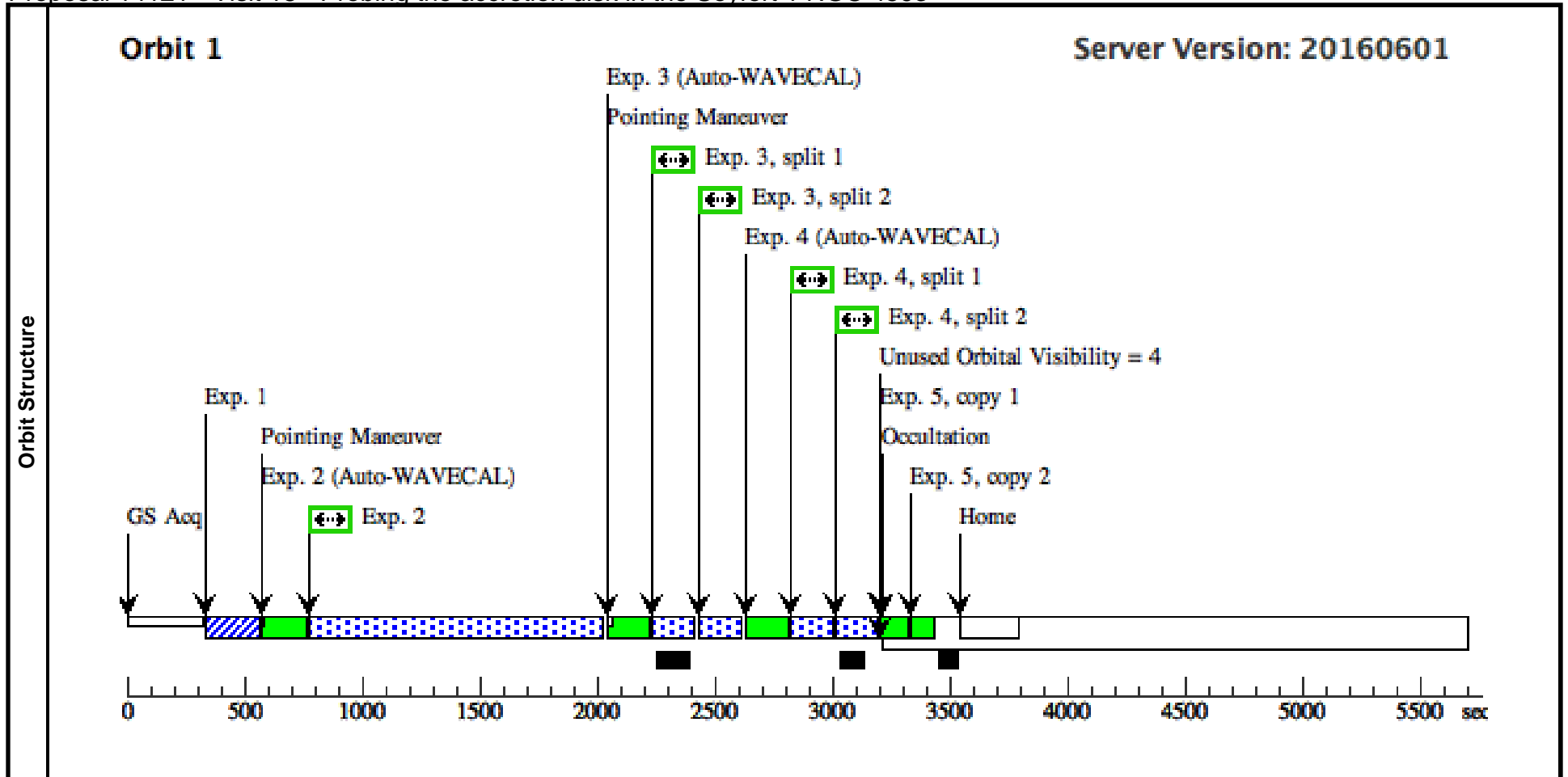
Visit	Proposal 14121, Visit 17, completed Diagnostic Status: No Diagnostics Scientific Instruments: STIS/CCD, STIS/FUV-MAMA Special Requirements: ORIENT 112D TO 112 D; AFTER 01 BY 15.569 D TO 15.769 D																											
	Fixed Targets	<table border="1"> <thead> <tr> <th>#</th> <th>Name</th> <th>Target Coordinates</th> <th>Targ. Coord. Corrections</th> <th>Fluxes</th> <th>Miscellaneous</th> </tr> </thead> <tbody> <tr> <td>(1)</td> <td>NGC-4593</td> <td>RA: 12 39 39.4550 (189.9143958d) Dec: -05 20 39.02 (-5.34417d) Equinox: J2000</td> <td>Redshift: 0.008344</td> <td>V=13.15</td> <td>Reference Frame: ICRS</td> </tr> <tr> <td colspan="6"> <i>Comments: 2MASS position for the AGN used. Verified with 2010 HST/WFC3 image (proposal ID: 11661).</i> <i>SIMBAD V-magnitude and redshift.</i> </td> </tr> </tbody> </table>										#	Name	Target Coordinates	Targ. Coord. Corrections	Fluxes	Miscellaneous	(1)	NGC-4593	RA: 12 39 39.4550 (189.9143958d) Dec: -05 20 39.02 (-5.34417d) Equinox: J2000	Redshift: 0.008344	V=13.15	Reference Frame: ICRS	<i>Comments: 2MASS position for the AGN used. Verified with 2010 HST/WFC3 image (proposal ID: 11661).</i> <i>SIMBAD V-magnitude and redshift.</i>				
#		Name	Target Coordinates	Targ. Coord. Corrections	Fluxes	Miscellaneous																						
(1)	NGC-4593	RA: 12 39 39.4550 (189.9143958d) Dec: -05 20 39.02 (-5.34417d) Equinox: J2000	Redshift: 0.008344	V=13.15	Reference Frame: ICRS																							
<i>Comments: 2MASS position for the AGN used. Verified with 2010 HST/WFC3 image (proposal ID: 11661).</i> <i>SIMBAD V-magnitude and redshift.</i>																												
Exposures	#	Label (ETC Run)	Target	Config,Mode,Aperture	Spectral Els.	Opt. Params.	Special Reqs.	Groups	Exp. Time (Total)/[Actual Dur.]	Orbit																		
	1		(1) NGC-4593	STIS/CCD, ACQ, F28X50LP	MIRROR	ACQTYPE=POINT			1 Secs (1 Secs) [==>]	[1]																		
	2	(STIS.sp.71 6913)	(1) NGC-4593	STIS/FUV-MAMA, ACCUM, 52X0.2	G140L 1425 A				1200 Secs (1234 Secs) [==>1234.0 Secs]	[1]																		
	3		(1) NGC-4593	STIS/CCD, ACCUM, 52X0.2E1	G430L 4300 A	CR-SPLIT=2			230 Secs (298 Secs) [==>149.0 Secs (Split 1)] [==>149.0 Secs (Split 2)]	[1]																		
	4		(1) NGC-4593	STIS/CCD, ACCUM, 52X0.2E1	G750L 7751 A	CR-SPLIT=2; GAIN=4			220 Secs (288 Secs) [==>144.0 Secs (Split 1)] [==>144.0 Secs (Split 2)]	[1]																		
	5		CCDFLAT	STIS/CCD, ACCUM, 52X0.1	G750L 7751 A				[==>(Copy 1)] [==>(Copy 2)]	[1]																		



Proposal 14121 - Visit 18 - Probing the accretion disk in the Seyfert 1 NGC 4593

Wed Sep 07 21:02:35 GMT 2016

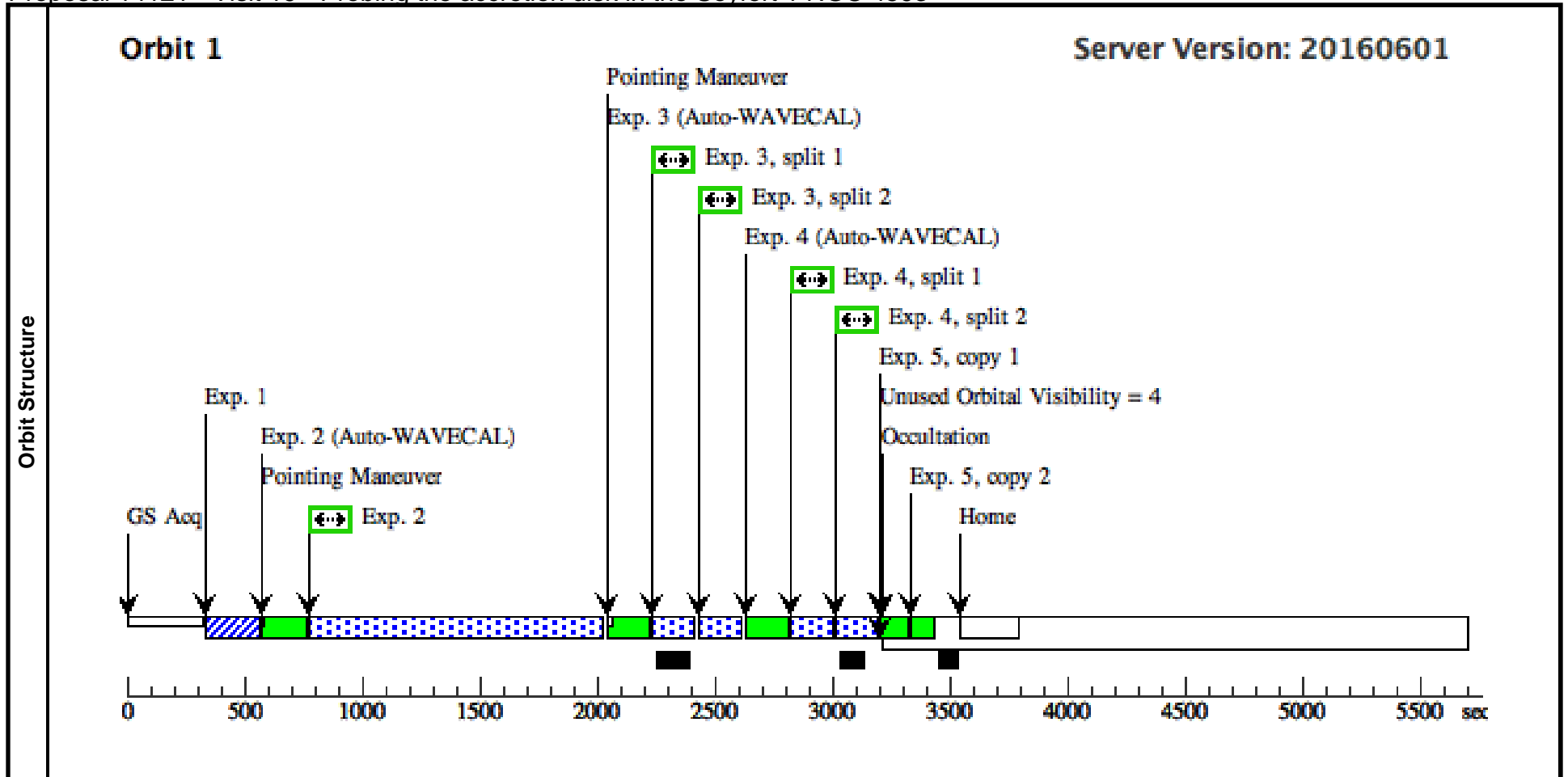
Visit	Proposal 14121, Visit 18, completed Diagnostic Status: No Diagnostics Scientific Instruments: STIS/CCD, STIS/FUV-MAMA Special Requirements: ORIENT 112D TO 112 D; AFTER 01 BY 16.548 D TO 16.748 D									
	Fixed Targets	#	Name	Target Coordinates	Targ. Coord. Corrections	Fluxes	Miscellaneous			
		(1)	NGC-4593	RA: 12 39 39.4550 (189.9143958d) Dec: -05 20 39.02 (-5.34417d) Equinox: J2000	Redshift: 0.008344	V=13.15	Reference Frame: ICRS			
	Comments: 2MASS position for the AGN used. Verified with 2010 HST/WFC3 image (proposal ID: 11661). SIMBAD V-magnitude and redshift.									
Exposures	#	Label (ETC Run)	Target	Config,Mode,Aperture	Spectral Els.	Opt. Params.	Special Reqs.	Groups	Exp. Time (Total)/[Actual Dur.]	Orbit
	1		(1) NGC-4593	STIS/CCD, ACQ, F28X50LP	MIRROR	ACQTYPE=POINT			1 Secs (1 Secs)	
									[==>]	[1]
	2	(STIS.sp.71 6913)	(1) NGC-4593	STIS/FUV-MAMA, ACCUM, 52X0.2	G140L 1425 A				1200 Secs (1234 Secs)	
									[==>1234.0 Secs]	[1]
	3		(1) NGC-4593	STIS/CCD, ACCUM, 52X0.2E1	G430L 4300 A	CR-SPLIT=2			230 Secs (298 Secs)	
									[==>149.0 Secs (Split 1)] [==>149.0 Secs (Split 2)]	[1]
4		(1) NGC-4593	STIS/CCD, ACCUM, 52X0.2E1	G750L 7751 A	CR-SPLIT=2; GAIN=4			220 Secs (288 Secs)		
								[==>144.0 Secs (Split 1)] [==>144.0 Secs (Split 2)]	[1]	
5		CCDFLAT	STIS/CCD, ACCUM, 52X0.1	G750L 7751 A				[==>(Copy 1)] [==>(Copy 2)]	[1]	



Proposal 14121 - Visit 19 - Probing the accretion disk in the Seyfert 1 NGC 4593

Wed Sep 07 21:02:35 GMT 2016

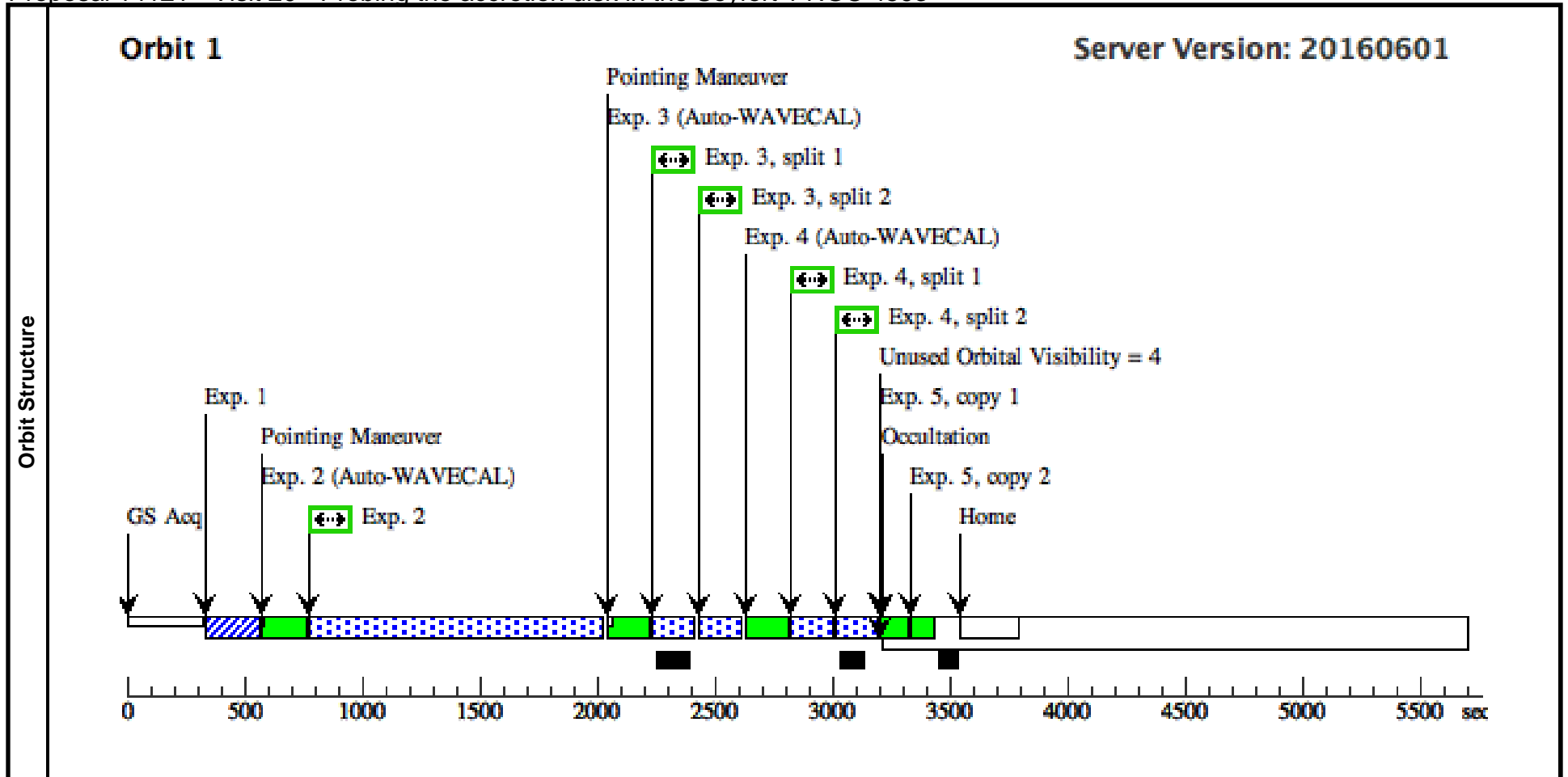
Visit	Proposal 14121, Visit 19, completed Diagnostic Status: No Diagnostics Scientific Instruments: STIS/CCD, STIS/FUV-MAMA Special Requirements: ORIENT 112D TO 112 D; AFTER 01 BY 17.527 D TO 17.727 D																											
	Fixed Targets	<table border="1"> <thead> <tr> <th>#</th> <th>Name</th> <th>Target Coordinates</th> <th>Targ. Coord. Corrections</th> <th>Fluxes</th> <th>Miscellaneous</th> </tr> </thead> <tbody> <tr> <td>(1)</td> <td>NGC-4593</td> <td>RA: 12 39 39.4550 (189.9143958d) Dec: -05 20 39.02 (-5.34417d) Equinox: J2000</td> <td>Redshift: 0.008344</td> <td>V=13.15</td> <td>Reference Frame: ICRS</td> </tr> <tr> <td colspan="6"> <i>Comments: 2MASS position for the AGN used. Verified with 2010 HST/WFC3 image (proposal ID: 11661). SIMBAD V-magnitude and redshift.</i> </td> </tr> </tbody> </table>										#	Name	Target Coordinates	Targ. Coord. Corrections	Fluxes	Miscellaneous	(1)	NGC-4593	RA: 12 39 39.4550 (189.9143958d) Dec: -05 20 39.02 (-5.34417d) Equinox: J2000	Redshift: 0.008344	V=13.15	Reference Frame: ICRS	<i>Comments: 2MASS position for the AGN used. Verified with 2010 HST/WFC3 image (proposal ID: 11661). SIMBAD V-magnitude and redshift.</i>				
#		Name	Target Coordinates	Targ. Coord. Corrections	Fluxes	Miscellaneous																						
(1)	NGC-4593	RA: 12 39 39.4550 (189.9143958d) Dec: -05 20 39.02 (-5.34417d) Equinox: J2000	Redshift: 0.008344	V=13.15	Reference Frame: ICRS																							
<i>Comments: 2MASS position for the AGN used. Verified with 2010 HST/WFC3 image (proposal ID: 11661). SIMBAD V-magnitude and redshift.</i>																												
Exposures	#	Label (ETC Run)	Target	Config,Mode,Aperture	Spectral Els.	Opt. Params.	Special Reqs.	Groups	Exp. Time (Total)/[Actual Dur.]	Orbit																		
	1		(1) NGC-4593	STIS/CCD, ACQ, F28X50LP	MIRROR	ACQTYPE=POINT			1 Secs (1 Secs) [==>]	[1]																		
	2	(STIS.sp.71 6913)	(1) NGC-4593	STIS/FUV-MAMA, ACCUM, 52X0.2	G140L 1425 A				1200 Secs (1234 Secs) [==>1234.0 Secs]	[1]																		
	3		(1) NGC-4593	STIS/CCD, ACCUM, 52X0.2E1	G430L 4300 A	CR-SPLIT=2			230 Secs (298 Secs) [==>149.0 Secs (Split 1)] [==>149.0 Secs (Split 2)]	[1]																		
	4		(1) NGC-4593	STIS/CCD, ACCUM, 52X0.2E1	G750L 7751 A	CR-SPLIT=2; GAIN=4			220 Secs (288 Secs) [==>144.0 Secs (Split 1)] [==>144.0 Secs (Split 2)]	[1]																		
	5		CCDFLAT	STIS/CCD, ACCUM, 52X0.1	G750L 7751 A				[==>(Copy 1)] [==>(Copy 2)]	[1]																		



Proposal 14121 - Visit 20 - Probing the accretion disk in the Seyfert 1 NGC 4593

Wed Sep 07 21:02:35 GMT 2016

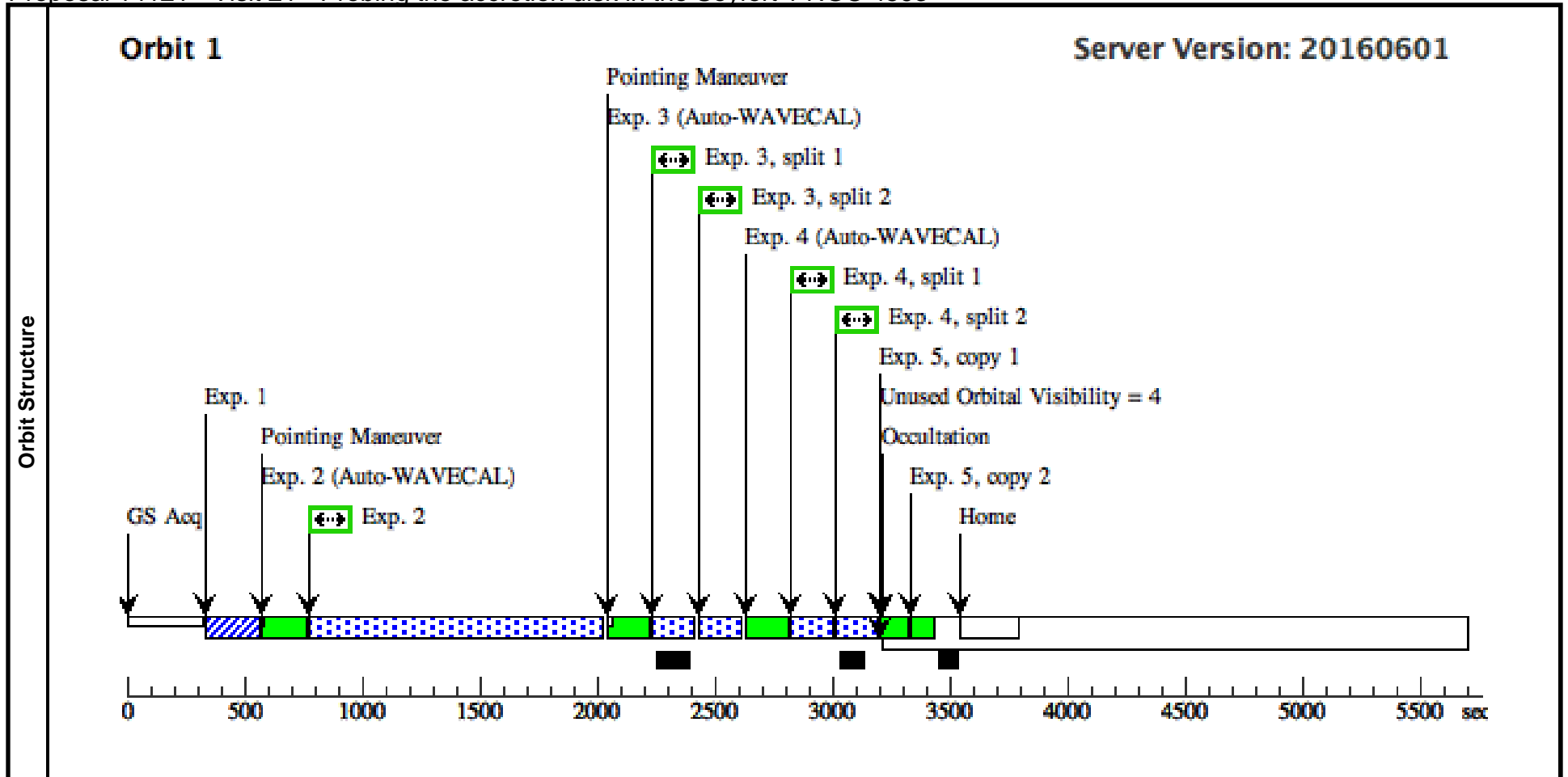
Visit	Proposal 14121, Visit 20, completed Diagnostic Status: No Diagnostics Scientific Instruments: STIS/CCD, STIS/FUV-MAMA Special Requirements: ORIENT 112D TO 112 D; AFTER 01 BY 18.507 D TO 18.707 D																											
	Fixed Targets	<table border="1"> <thead> <tr> <th>#</th> <th>Name</th> <th>Target Coordinates</th> <th>Targ. Coord. Corrections</th> <th>Fluxes</th> <th>Miscellaneous</th> </tr> </thead> <tbody> <tr> <td>(1)</td> <td>NGC-4593</td> <td>RA: 12 39 39.4550 (189.9143958d) Dec: -05 20 39.02 (-5.34417d) Equinox: J2000</td> <td>Redshift: 0.008344</td> <td>V=13.15</td> <td>Reference Frame: ICRS</td> </tr> <tr> <td colspan="6"> <i>Comments: 2MASS position for the AGN used. Verified with 2010 HST/WFC3 image (proposal ID: 11661). SIMBAD V-magnitude and redshift.</i> </td> </tr> </tbody> </table>										#	Name	Target Coordinates	Targ. Coord. Corrections	Fluxes	Miscellaneous	(1)	NGC-4593	RA: 12 39 39.4550 (189.9143958d) Dec: -05 20 39.02 (-5.34417d) Equinox: J2000	Redshift: 0.008344	V=13.15	Reference Frame: ICRS	<i>Comments: 2MASS position for the AGN used. Verified with 2010 HST/WFC3 image (proposal ID: 11661). SIMBAD V-magnitude and redshift.</i>				
#		Name	Target Coordinates	Targ. Coord. Corrections	Fluxes	Miscellaneous																						
(1)	NGC-4593	RA: 12 39 39.4550 (189.9143958d) Dec: -05 20 39.02 (-5.34417d) Equinox: J2000	Redshift: 0.008344	V=13.15	Reference Frame: ICRS																							
<i>Comments: 2MASS position for the AGN used. Verified with 2010 HST/WFC3 image (proposal ID: 11661). SIMBAD V-magnitude and redshift.</i>																												
Exposures	#	Label (ETC Run)	Target	Config,Mode,Aperture	Spectral Els.	Opt. Params.	Special Reqs.	Groups	Exp. Time (Total)/[Actual Dur.]	Orbit																		
	1		(1) NGC-4593	STIS/CCD, ACQ, F28X50LP	MIRROR	ACQTYPE=POINT			1 Secs (1 Secs) [==>]	[1]																		
	2	(STIS.sp.71 6913)	(1) NGC-4593	STIS/FUV-MAMA, ACCUM, 52X0.2	G140L 1425 A				1200 Secs (1234 Secs) [==>1234.0 Secs]	[1]																		
	3		(1) NGC-4593	STIS/CCD, ACCUM, 52X0.2E1	G430L 4300 A	CR-SPLIT=2			230 Secs (298 Secs) [==>149.0 Secs (Split 1)] [==>149.0 Secs (Split 2)]	[1]																		
	4		(1) NGC-4593	STIS/CCD, ACCUM, 52X0.2E1	G750L 7751 A	CR-SPLIT=2; GAIN=4			220 Secs (288 Secs) [==>144.0 Secs (Split 1)] [==>144.0 Secs (Split 2)]	[1]																		
	5		CCDFLAT	STIS/CCD, ACCUM, 52X0.1	G750L 7751 A				[==>(Copy 1)] [==>(Copy 2)]	[1]																		



Proposal 14121 - Visit 21 - Probing the accretion disk in the Seyfert 1 NGC 4593

Wed Sep 07 21:02:36 GMT 2016

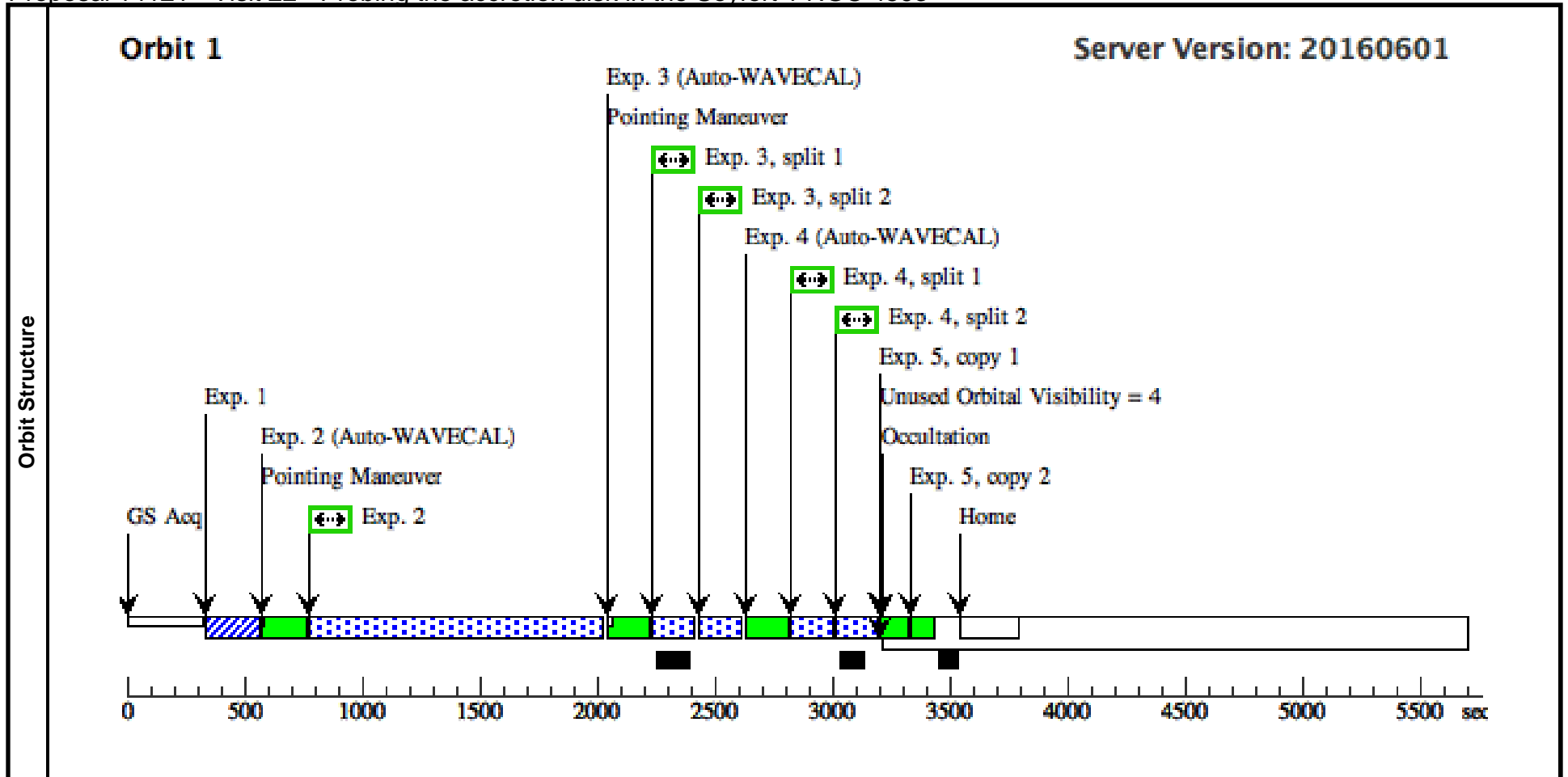
Visit	Proposal 14121, Visit 21, implementation Diagnostic Status: No Diagnostics Scientific Instruments: STIS/CCD, STIS/FUV-MAMA Special Requirements: ORIENT 112D TO 112 D																											
	Fixed Targets	<table border="1"> <thead> <tr> <th>#</th> <th>Name</th> <th>Target Coordinates</th> <th>Targ. Coord. Corrections</th> <th>Fluxes</th> <th>Miscellaneous</th> </tr> </thead> <tbody> <tr> <td>(1)</td> <td>NGC-4593</td> <td>RA: 12 39 39.4550 (189.9143958d) Dec: -05 20 39.02 (-5.34417d) Equinox: J2000</td> <td>Redshift: 0.008344</td> <td>V=13.15</td> <td>Reference Frame: ICRS</td> </tr> <tr> <td colspan="6"> <i>Comments: 2MASS position for the AGN used. Verified with 2010 HST/WFC3 image (proposal ID: 11661). SIMBAD V-magnitude and redshift.</i> </td> </tr> </tbody> </table>										#	Name	Target Coordinates	Targ. Coord. Corrections	Fluxes	Miscellaneous	(1)	NGC-4593	RA: 12 39 39.4550 (189.9143958d) Dec: -05 20 39.02 (-5.34417d) Equinox: J2000	Redshift: 0.008344	V=13.15	Reference Frame: ICRS	<i>Comments: 2MASS position for the AGN used. Verified with 2010 HST/WFC3 image (proposal ID: 11661). SIMBAD V-magnitude and redshift.</i>				
#	Name	Target Coordinates	Targ. Coord. Corrections	Fluxes	Miscellaneous																							
(1)	NGC-4593	RA: 12 39 39.4550 (189.9143958d) Dec: -05 20 39.02 (-5.34417d) Equinox: J2000	Redshift: 0.008344	V=13.15	Reference Frame: ICRS																							
<i>Comments: 2MASS position for the AGN used. Verified with 2010 HST/WFC3 image (proposal ID: 11661). SIMBAD V-magnitude and redshift.</i>																												
Exposures	#	Label (ETC Run)	Target	Config,Mode,Aperture	Spectral Els.	Opt. Params.	Special Reqs.	Groups	Exp. Time (Total)/[Actual Dur.]	Orbit																		
	1		(1) NGC-4593	STIS/CCD, ACQ, F28X50LP	MIRROR	ACQTYPE=POINT			1 Secs (1 Secs) [==>]	[1]																		
	2	(STIS.sp.71 6913)	(1) NGC-4593	STIS/FUV-MAMA, ACCUM, 52X0.2	G140L 1425 A				1200 Secs (1234 Secs) [==>1234.0 Secs]	[1]																		
	3		(1) NGC-4593	STIS/CCD, ACCUM, 52X0.2E1	G430L 4300 A	CR-SPLIT=2			230 Secs (298 Secs) [==>149.0 Secs (Split 1)] [==>149.0 Secs (Split 2)]	[1]																		
	4		(1) NGC-4593	STIS/CCD, ACCUM, 52X0.2E1	G750L 7751 A	CR-SPLIT=2; GAIN=4			220 Secs (288 Secs) [==>144.0 Secs (Split 1)] [==>144.0 Secs (Split 2)]	[1]																		
	5		CCDFLAT	STIS/CCD, ACCUM, 52X0.1	G750L 7751 A				[==>(Copy 1)] [==>(Copy 2)]	[1]																		



Proposal 14121 - Visit 22 - Probing the accretion disk in the Seyfert 1 NGC 4593

Wed Sep 07 21:02:36 GMT 2016

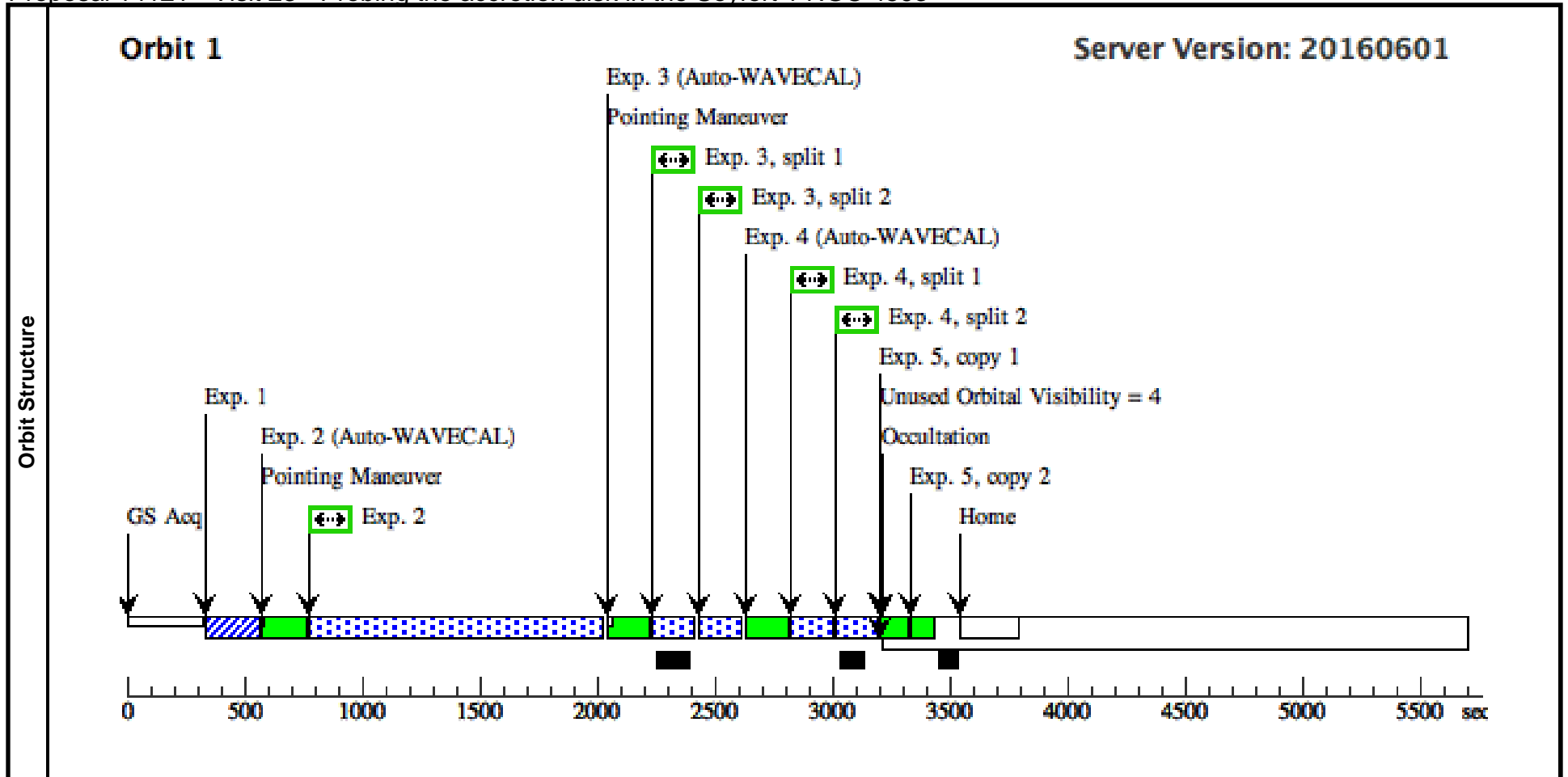
Visit	Proposal 14121, Visit 22, scheduled Diagnostic Status: No Diagnostics Scientific Instruments: STIS/CCD, STIS/FUV-MAMA Special Requirements: ORIENT 112D TO 112 D; AFTER 01 BY 20.465 D TO 20.665 D																											
	Fixed Targets	<table border="1"> <thead> <tr> <th>#</th> <th>Name</th> <th>Target Coordinates</th> <th>Targ. Coord. Corrections</th> <th>Fluxes</th> <th>Miscellaneous</th> </tr> </thead> <tbody> <tr> <td>(1)</td> <td>NGC-4593</td> <td>RA: 12 39 39.4550 (189.9143958d) Dec: -05 20 39.02 (-5.34417d) Equinox: J2000</td> <td>Redshift: 0.008344</td> <td>V=13.15</td> <td>Reference Frame: ICRS</td> </tr> <tr> <td colspan="6"> <i>Comments: 2MASS position for the AGN used. Verified with 2010 HST/WFC3 image (proposal ID: 11661). SIMBAD V-magnitude and redshift.</i> </td> </tr> </tbody> </table>										#	Name	Target Coordinates	Targ. Coord. Corrections	Fluxes	Miscellaneous	(1)	NGC-4593	RA: 12 39 39.4550 (189.9143958d) Dec: -05 20 39.02 (-5.34417d) Equinox: J2000	Redshift: 0.008344	V=13.15	Reference Frame: ICRS	<i>Comments: 2MASS position for the AGN used. Verified with 2010 HST/WFC3 image (proposal ID: 11661). SIMBAD V-magnitude and redshift.</i>				
#		Name	Target Coordinates	Targ. Coord. Corrections	Fluxes	Miscellaneous																						
(1)	NGC-4593	RA: 12 39 39.4550 (189.9143958d) Dec: -05 20 39.02 (-5.34417d) Equinox: J2000	Redshift: 0.008344	V=13.15	Reference Frame: ICRS																							
<i>Comments: 2MASS position for the AGN used. Verified with 2010 HST/WFC3 image (proposal ID: 11661). SIMBAD V-magnitude and redshift.</i>																												
Exposures	#	Label (ETC Run)	Target	Config,Mode,Aperture	Spectral Els.	Opt. Params.	Special Reqs.	Groups	Exp. Time (Total)/[Actual Dur.]	Orbit																		
	1		(1) NGC-4593	STIS/CCD, ACQ, F28X50LP	MIRROR	ACQTYPE=POINT			1 Secs (1 Secs) [==>]	[1]																		
	2	(STIS.sp.71 6913)	(1) NGC-4593	STIS/FUV-MAMA, ACCUM, 52X0.2	G140L 1425 A				1200 Secs (1234 Secs) [==>1234.0 Secs]	[1]																		
	3		(1) NGC-4593	STIS/CCD, ACCUM, 52X0.2E1	G430L 4300 A	CR-SPLIT=2			230 Secs (298 Secs) [==>149.0 Secs (Split 1)] [==>149.0 Secs (Split 2)]	[1]																		
	4		(1) NGC-4593	STIS/CCD, ACCUM, 52X0.2E1	G750L 7751 A	CR-SPLIT=2; GAIN=4			220 Secs (288 Secs) [==>144.0 Secs (Split 1)] [==>144.0 Secs (Split 2)]	[1]																		
	5		CCDFLAT	STIS/CCD, ACCUM, 52X0.1	G750L 7751 A				[==>(Copy 1)] [==>(Copy 2)]	[1]																		



Proposal 14121 - Visit 23 - Probing the accretion disk in the Seyfert 1 NGC 4593

Wed Sep 07 21:02:36 GMT 2016

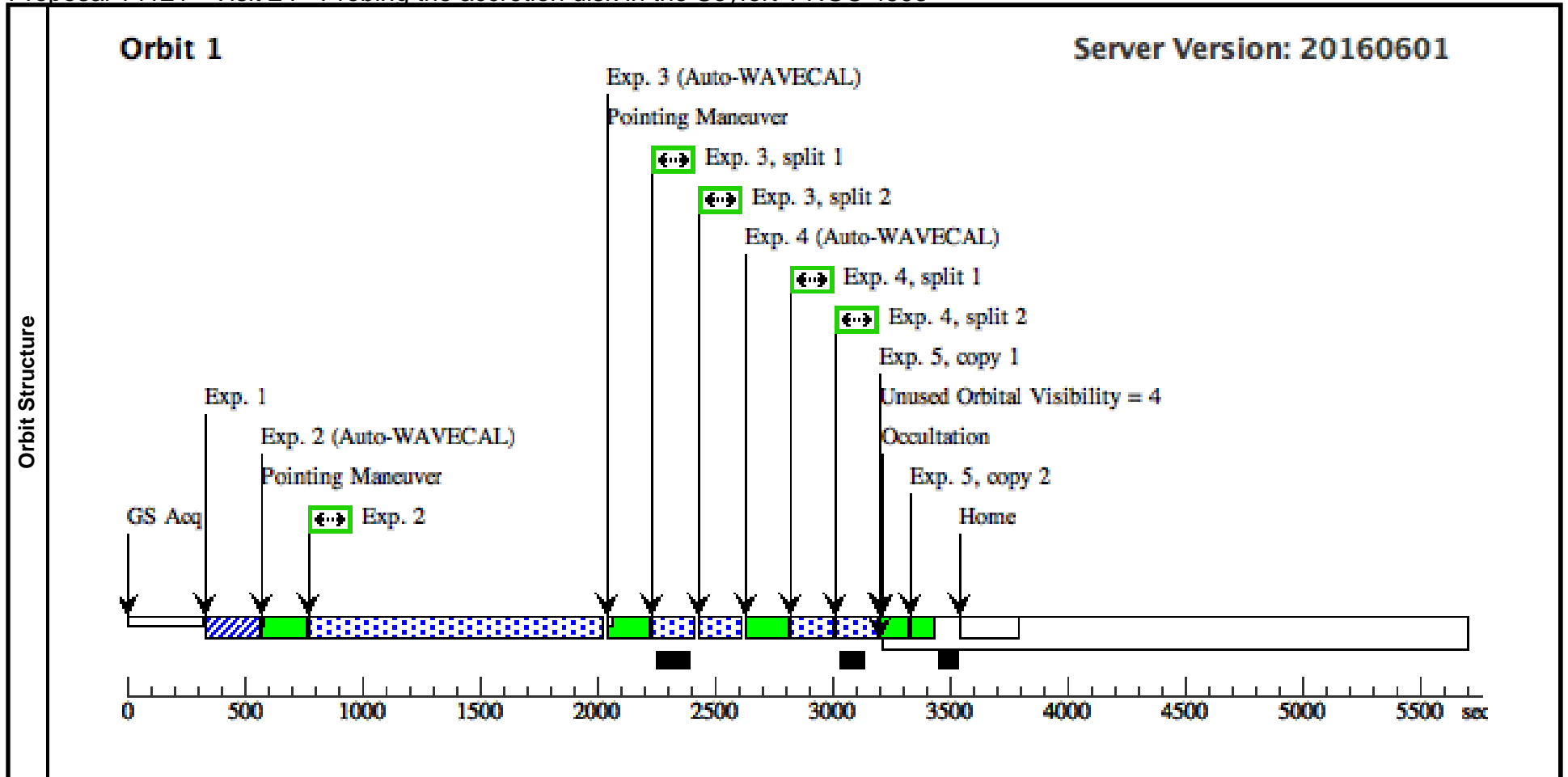
Visit	Proposal 14121, Visit 23, scheduled Diagnostic Status: No Diagnostics Scientific Instruments: STIS/CCD, STIS/FUV-MAMA Special Requirements: ORIENT 112D TO 112 D; AFTER 01 BY 21.445 D TO 21.645 D																											
	Fixed Targets	<table border="1"> <thead> <tr> <th>#</th> <th>Name</th> <th>Target Coordinates</th> <th>Targ. Coord. Corrections</th> <th>Fluxes</th> <th>Miscellaneous</th> </tr> </thead> <tbody> <tr> <td>(1)</td> <td>NGC-4593</td> <td>RA: 12 39 39.4550 (189.9143958d) Dec: -05 20 39.02 (-5.34417d) Equinox: J2000</td> <td>Redshift: 0.008344</td> <td>V=13.15</td> <td>Reference Frame: ICRS</td> </tr> <tr> <td colspan="6"> <i>Comments: 2MASS position for the AGN used. Verified with 2010 HST/WFC3 image (proposal ID: 11661). SIMBAD V-magnitude and redshift.</i> </td> </tr> </tbody> </table>										#	Name	Target Coordinates	Targ. Coord. Corrections	Fluxes	Miscellaneous	(1)	NGC-4593	RA: 12 39 39.4550 (189.9143958d) Dec: -05 20 39.02 (-5.34417d) Equinox: J2000	Redshift: 0.008344	V=13.15	Reference Frame: ICRS	<i>Comments: 2MASS position for the AGN used. Verified with 2010 HST/WFC3 image (proposal ID: 11661). SIMBAD V-magnitude and redshift.</i>				
#		Name	Target Coordinates	Targ. Coord. Corrections	Fluxes	Miscellaneous																						
(1)	NGC-4593	RA: 12 39 39.4550 (189.9143958d) Dec: -05 20 39.02 (-5.34417d) Equinox: J2000	Redshift: 0.008344	V=13.15	Reference Frame: ICRS																							
<i>Comments: 2MASS position for the AGN used. Verified with 2010 HST/WFC3 image (proposal ID: 11661). SIMBAD V-magnitude and redshift.</i>																												
Exposures	#	Label (ETC Run)	Target	Config,Mode,Aperture	Spectral Els.	Opt. Params.	Special Reqs.	Groups	Exp. Time (Total)/[Actual Dur.]	Orbit																		
	1		(1) NGC-4593	STIS/CCD, ACQ, F28X50LP	MIRROR	ACQTYPE=POINT			1 Secs (1 Secs) [==>]	[1]																		
	2	(STIS.sp.71 6913)	(1) NGC-4593	STIS/FUV-MAMA, ACCUM, 52X0.2	G140L 1425 A				1200 Secs (1234 Secs) [==>1234.0 Secs]	[1]																		
	3		(1) NGC-4593	STIS/CCD, ACCUM, 52X0.2E1	G430L 4300 A	CR-SPLIT=2			230 Secs (298 Secs) [==>149.0 Secs (Split 1)] [==>149.0 Secs (Split 2)]	[1]																		
	4		(1) NGC-4593	STIS/CCD, ACCUM, 52X0.2E1	G750L 7751 A	CR-SPLIT=2; GAIN=4			220 Secs (288 Secs) [==>144.0 Secs (Split 1)] [==>144.0 Secs (Split 2)]	[1]																		
	5		CCDFLAT	STIS/CCD, ACCUM, 52X0.1	G750L 7751 A				[==>(Copy 1)] [==>(Copy 2)]	[1]																		



Proposal 14121 - Visit 24 - Probing the accretion disk in the Seyfert 1 NGC 4593

Wed Sep 07 21:02:36 GMT 2016

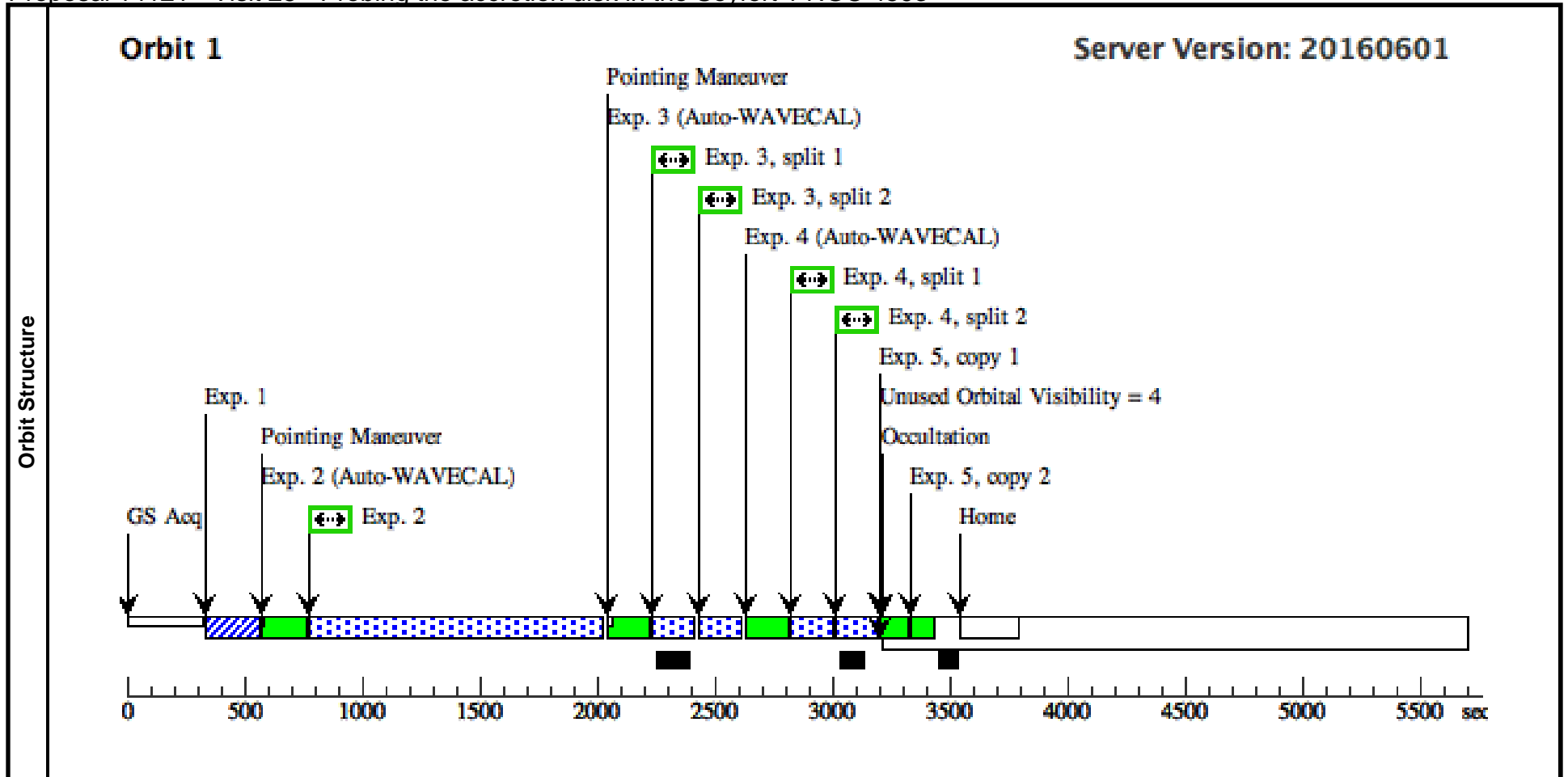
Visit	Proposal 14121, Visit 24, scheduled Diagnostic Status: No Diagnostics Scientific Instruments: STIS/CCD, STIS/FUV-MAMA Special Requirements: ORIENT 112D TO 112 D; AFTER 01 BY 22.424 D TO 22.624 D																											
	Fixed Targets	<table border="1"> <thead> <tr> <th>#</th> <th>Name</th> <th>Target Coordinates</th> <th>Targ. Coord. Corrections</th> <th>Fluxes</th> <th>Miscellaneous</th> </tr> </thead> <tbody> <tr> <td>(1)</td> <td>NGC-4593</td> <td>RA: 12 39 39.4550 (189.9143958d) Dec: -05 20 39.02 (-5.34417d) Equinox: J2000</td> <td>Redshift: 0.008344</td> <td>V=13.15</td> <td>Reference Frame: ICRS</td> </tr> <tr> <td colspan="6"> <i>Comments: 2MASS position for the AGN used. Verified with 2010 HST/WFC3 image (proposal ID: 11661). SIMBAD V-magnitude and redshift.</i> </td> </tr> </tbody> </table>										#	Name	Target Coordinates	Targ. Coord. Corrections	Fluxes	Miscellaneous	(1)	NGC-4593	RA: 12 39 39.4550 (189.9143958d) Dec: -05 20 39.02 (-5.34417d) Equinox: J2000	Redshift: 0.008344	V=13.15	Reference Frame: ICRS	<i>Comments: 2MASS position for the AGN used. Verified with 2010 HST/WFC3 image (proposal ID: 11661). SIMBAD V-magnitude and redshift.</i>				
#		Name	Target Coordinates	Targ. Coord. Corrections	Fluxes	Miscellaneous																						
(1)	NGC-4593	RA: 12 39 39.4550 (189.9143958d) Dec: -05 20 39.02 (-5.34417d) Equinox: J2000	Redshift: 0.008344	V=13.15	Reference Frame: ICRS																							
<i>Comments: 2MASS position for the AGN used. Verified with 2010 HST/WFC3 image (proposal ID: 11661). SIMBAD V-magnitude and redshift.</i>																												
Exposures	#	Label (ETC Run)	Target	Config,Mode,Aperture	Spectral Els.	Opt. Params.	Special Reqs.	Groups	Exp. Time (Total)/[Actual Dur.]	Orbit																		
	1		(1) NGC-4593	STIS/CCD, ACQ, F28X50LP	MIRROR	ACQTYPE=POINT			1 Secs (1 Secs) [==>]	[1]																		
	2	(STIS.sp.71 6913)	(1) NGC-4593	STIS/FUV-MAMA, ACCUM, 52X0.2	G140L 1425 A				1200 Secs (1234 Secs) [==>1234.0 Secs]	[1]																		
	3		(1) NGC-4593	STIS/CCD, ACCUM, 52X0.2E1	G430L 4300 A	CR-SPLIT=2			230 Secs (298 Secs) [==>149.0 Secs (Split 1)] [==>149.0 Secs (Split 2)]	[1]																		
	4		(1) NGC-4593	STIS/CCD, ACCUM, 52X0.2E1	G750L 7751 A	CR-SPLIT=2; GAIN=4			220 Secs (288 Secs) [==>144.0 Secs (Split 1)] [==>144.0 Secs (Split 2)]	[1]																		
	5		CCDFLAT	STIS/CCD, ACCUM, 52X0.1	G750L 7751 A				[==>(Copy 1)] [==>(Copy 2)]	[1]																		



Proposal 14121 - Visit 25 - Probing the accretion disk in the Seyfert 1 NGC 4593

Wed Sep 07 21:02:36 GMT 2016

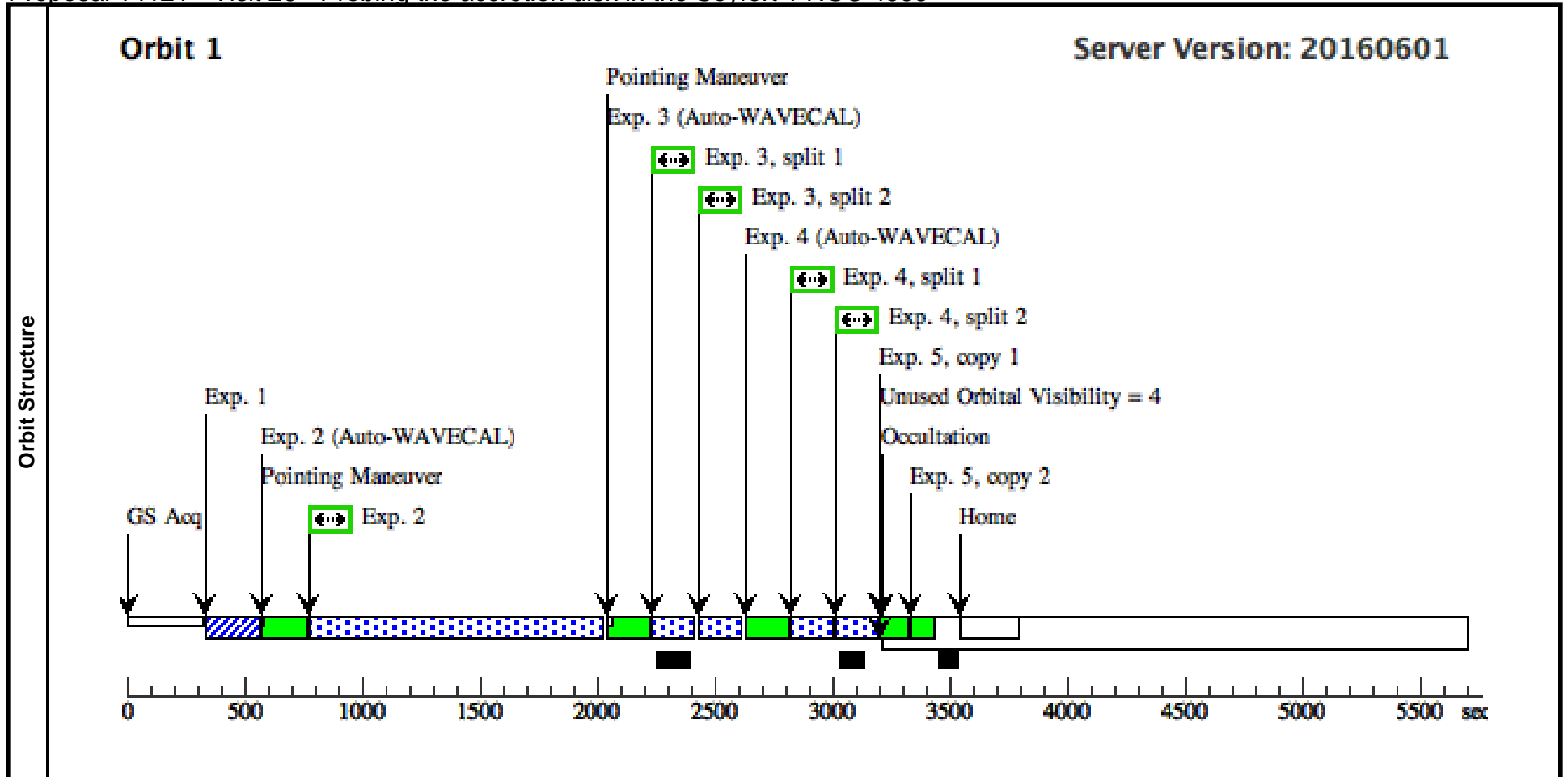
Visit	Proposal 14121, Visit 25, scheduled Diagnostic Status: No Diagnostics Scientific Instruments: STIS/CCD, STIS/FUV-MAMA Special Requirements: ORIENT 112D TO 112 D; AFTER 01 BY 23.403 D TO 23.603 D																											
	Fixed Targets	<table border="1"> <thead> <tr> <th>#</th> <th>Name</th> <th>Target Coordinates</th> <th>Targ. Coord. Corrections</th> <th>Fluxes</th> <th>Miscellaneous</th> </tr> </thead> <tbody> <tr> <td>(1)</td> <td>NGC-4593</td> <td>RA: 12 39 39.4550 (189.9143958d) Dec: -05 20 39.02 (-5.34417d) Equinox: J2000</td> <td>Redshift: 0.008344</td> <td>V=13.15</td> <td>Reference Frame: ICRS</td> </tr> <tr> <td colspan="6"> <i>Comments: 2MASS position for the AGN used. Verified with 2010 HST/WFC3 image (proposal ID: 11661).</i> <i>SIMBAD V-magnitude and redshift.</i> </td> </tr> </tbody> </table>										#	Name	Target Coordinates	Targ. Coord. Corrections	Fluxes	Miscellaneous	(1)	NGC-4593	RA: 12 39 39.4550 (189.9143958d) Dec: -05 20 39.02 (-5.34417d) Equinox: J2000	Redshift: 0.008344	V=13.15	Reference Frame: ICRS	<i>Comments: 2MASS position for the AGN used. Verified with 2010 HST/WFC3 image (proposal ID: 11661).</i> <i>SIMBAD V-magnitude and redshift.</i>				
#		Name	Target Coordinates	Targ. Coord. Corrections	Fluxes	Miscellaneous																						
(1)	NGC-4593	RA: 12 39 39.4550 (189.9143958d) Dec: -05 20 39.02 (-5.34417d) Equinox: J2000	Redshift: 0.008344	V=13.15	Reference Frame: ICRS																							
<i>Comments: 2MASS position for the AGN used. Verified with 2010 HST/WFC3 image (proposal ID: 11661).</i> <i>SIMBAD V-magnitude and redshift.</i>																												
Exposures	#	Label (ETC Run)	Target	Config,Mode,Aperture	Spectral Els.	Opt. Params.	Special Reqs.	Groups	Exp. Time (Total)/[Actual Dur.]	Orbit																		
	1		(1) NGC-4593	STIS/CCD, ACQ, F28X50LP	MIRROR	ACQTYPE=POINT			1 Secs (1 Secs) [==>]	[1]																		
	2	(STIS.sp.71 6913)	(1) NGC-4593	STIS/FUV-MAMA, ACCUM, 52X0.2	G140L 1425 A				1200 Secs (1234 Secs) [==>1234.0 Secs]	[1]																		
	3		(1) NGC-4593	STIS/CCD, ACCUM, 52X0.2E1	G430L 4300 A	CR-SPLIT=2			230 Secs (298 Secs) [==>149.0 Secs (Split 1)] [==>149.0 Secs (Split 2)]	[1]																		
	4		(1) NGC-4593	STIS/CCD, ACCUM, 52X0.2E1	G750L 7751 A	CR-SPLIT=2; GAIN=4			220 Secs (288 Secs) [==>144.0 Secs (Split 1)] [==>144.0 Secs (Split 2)]	[1]																		
	5		CCDFLAT	STIS/CCD, ACCUM, 52X0.1	G750L 7751 A				[==>(Copy 1)] [==>(Copy 2)]	[1]																		



Proposal 14121 - Visit 26 - Probing the accretion disk in the Seyfert 1 NGC 4593

Wed Sep 07 21:02:36 GMT 2016

Visit	Proposal 14121, Visit 26, scheduled Diagnostic Status: No Diagnostics Scientific Instruments: STIS/CCD, STIS/FUV-MAMA Special Requirements: ORIENT 112D TO 112 D; AFTER 01 BY 24.383 D TO 24.583 D																											
	Fixed Targets	<table border="1"> <thead> <tr> <th>#</th> <th>Name</th> <th>Target Coordinates</th> <th>Targ. Coord. Corrections</th> <th>Fluxes</th> <th>Miscellaneous</th> </tr> </thead> <tbody> <tr> <td>(1)</td> <td>NGC-4593</td> <td>RA: 12 39 39.4550 (189.9143958d) Dec: -05 20 39.02 (-5.34417d) Equinox: J2000</td> <td>Redshift: 0.008344</td> <td>V=13.15</td> <td>Reference Frame: ICRS</td> </tr> <tr> <td colspan="6"> <i>Comments: 2MASS position for the AGN used. Verified with 2010 HST/WFC3 image (proposal ID: 11661). SIMBAD V-magnitude and redshift.</i> </td> </tr> </tbody> </table>										#	Name	Target Coordinates	Targ. Coord. Corrections	Fluxes	Miscellaneous	(1)	NGC-4593	RA: 12 39 39.4550 (189.9143958d) Dec: -05 20 39.02 (-5.34417d) Equinox: J2000	Redshift: 0.008344	V=13.15	Reference Frame: ICRS	<i>Comments: 2MASS position for the AGN used. Verified with 2010 HST/WFC3 image (proposal ID: 11661). SIMBAD V-magnitude and redshift.</i>				
#		Name	Target Coordinates	Targ. Coord. Corrections	Fluxes	Miscellaneous																						
(1)	NGC-4593	RA: 12 39 39.4550 (189.9143958d) Dec: -05 20 39.02 (-5.34417d) Equinox: J2000	Redshift: 0.008344	V=13.15	Reference Frame: ICRS																							
<i>Comments: 2MASS position for the AGN used. Verified with 2010 HST/WFC3 image (proposal ID: 11661). SIMBAD V-magnitude and redshift.</i>																												
Exposures	#	Label (ETC Run)	Target	Config,Mode,Aperture	Spectral Els.	Opt. Params.	Special Reqs.	Groups	Exp. Time (Total)/[Actual Dur.]	Orbit																		
	1		(1) NGC-4593	STIS/CCD, ACQ, F28X50LP	MIRROR	ACQTYPE=POINT			1 Secs (1 Secs) [==>]	[1]																		
	2	(STIS.sp.71 6913)	(1) NGC-4593	STIS/FUV-MAMA, ACCUM, 52X0.2	G140L 1425 A				1200 Secs (1234 Secs) [==>1234.0 Secs]	[1]																		
	3		(1) NGC-4593	STIS/CCD, ACCUM, 52X0.2E1	G430L 4300 A	CR-SPLIT=2			230 Secs (298 Secs) [==>149.0 Secs (Split 1)] [==>149.0 Secs (Split 2)]	[1]																		
	4		(1) NGC-4593	STIS/CCD, ACCUM, 52X0.2E1	G750L 7751 A	CR-SPLIT=2; GAIN=4			220 Secs (288 Secs) [==>144.0 Secs (Split 1)] [==>144.0 Secs (Split 2)]	[1]																		
	5		CCDFLAT	STIS/CCD, ACCUM, 52X0.1	G750L 7751 A				[==>(Copy 1)] [==>(Copy 2)]	[1]																		



Proposal 14121 - Visit 27 - Probing the accretion disk in the Seyfert 1 NGC 4593

Wed Sep 07 21:02:36 GMT 2016

Visit		Proposal 14121, Visit 27, completed Diagnostic Status: No Diagnostics Scientific Instruments: STIS/CCD, STIS/FUV-MAMA Special Requirements: ORIENT 112D TO 112 D; BETWEEN 12-JUL-2016:22:30:00 AND 06-AUG-2016:14:30:00								
Fixed Targets	#	Name	Target Coordinates	Targ. Coord. Corrections	Fluxes	Miscellaneous				
		(1)	NGC-4593	RA: 12 39 39.4550 (189.9143958d) Dec: -05 20 39.02 (-5.34417d) Equinox: J2000	Redshift: 0.008344	V=13.15	Reference Frame: ICRS			
<i>Comments: 2MASS position for the AGN used. Verified with 2010 HST/WFC3 image (proposal ID: 11661). SIMBAD V-magnitude and redshift.</i>										
Exposures	#	Label (ETC Run)	Target	Config,Mode,Aperture	Spectral Els.	Opt. Params.	Special Reqs.	Groups	Exp. Time (Total)/[Actual Dur.]	Orbit
	1		(1) NGC-4593	STIS/CCD, ACQ, F28X50LP	MIRROR	ACQTYPE=POINT			1 Secs (1 Secs)	
									[==>]	[1]
	2	(STIS.sp.71 6913)	(1) NGC-4593	STIS/FUV-MAMA, ACCUM, 52X0.2	G140L 1425 A				1200 Secs (1234 Secs)	
									[==>1234.0 Secs]	[1]
	3		(1) NGC-4593	STIS/CCD, ACCUM, 52X0.2E1	G430L 4300 A	CR-SPLIT=2			230 Secs (298 Secs)	
								[==>149.0 Secs (Split 1)] [==>149.0 Secs (Split 2)]	[1]	
4		(1) NGC-4593	STIS/CCD, ACCUM, 52X0.2E1	G750L 7751 A	CR-SPLIT=2; GAIN=4			220 Secs (288 Secs)		
								[==>144.0 Secs (Split 1)] [==>144.0 Secs (Split 2)]	[1]	
5		CCDFLAT	STIS/CCD, ACCUM, 52X0.1	G750L 7751 A				[==>(Copy 1)] [==>(Copy 2)]	[1]	

