



14772 - Observing gas in Cosmic Web filaments to constrain simulations of cosmic structure formation

Cycle: 24, Proposal Category: GO

(UV Initiative)

(Availability Mode: AVAILABLE)

INVESTIGATORS

<i>Name</i>	<i>Institution</i>	<i>E-Mail</i>
Dr. Bart P. Wakker (PI) (Contact)	University of Wisconsin - Madison	wakker@astro.wisc.edu
Mr. David French (CoI)	University of Wisconsin - Madison	frenchd@astro.wisc.edu
Dr. Audra K. Hernandez (CoI)	University of Wisconsin - Madison	hernande@astro.wisc.edu
Dr. Tae-Sun Kim (CoI)	University of Wisconsin - Madison	kim@astro.wisc.edu
Dr. Nicolas Lehner (CoI)	University of Notre Dame	nlehner@nd.edu
Dr. Benjamin Darwin Oppenheimer (CoI)	University of Colorado at Boulder	beop5934@colorado.edu
Dr. Blair D. Savage (CoI)	University of Wisconsin - Madison	savage@astro.wisc.edu

VISITS

<i>Visit</i>	<i>Targets used in Visit</i>	<i>Configurations used in Visit</i>	<i>Orbits Used</i>	<i>Last Orbit Planner Run</i>	<i>OP Current with Visit?</i>
02	(2) CSO295	COS/FUV COS/NUV	1	18-Sep-2017 17:00:42.0	yes
03	(3) CSO1161	COS/FUV COS/NUV	2	18-Sep-2017 17:00:44.0	yes
04	(4) CSO1208	COS/FUV COS/NUV	2	18-Sep-2017 17:00:46.0	yes

Proposal 14772 (STScI Edit Number: 2, Created: Monday, September 18, 2017 4:01:49 PM EST) - Overview

<i>Visit</i>	<i>Targets used in Visit</i>	<i>Configurations used in Visit</i>	<i>Orbits Used</i>	<i>Last Orbit Planner Run</i>	<i>OP Current with Visit?</i>
05	(5) CSO1214	COS/FUV COS/NUV	2	18-Sep-2017 17:00:48.0	yes
55	(5) CSO1214	COS/FUV COS/NUV	2	18-Sep-2017 17:00:50.0	yes
06	(6) CSO1245	COS/FUV COS/NUV	2	18-Sep-2017 17:00:52.0	yes
07	(7) HS1111+4309	COS/FUV COS/NUV	2	18-Sep-2017 17:00:54.0	yes
08	(8) KUG1143+307	COS/FUV COS/NUV	2	18-Sep-2017 17:00:55.0	yes
09	(9) MRK646	COS/FUV COS/NUV	1	18-Sep-2017 17:00:57.0	yes
10	(10) MRK1269	COS/FUV COS/NUV	2	18-Sep-2017 17:00:59.0	yes
11	(11) MRK1447	COS/FUV COS/NUV	2	18-Sep-2017 17:01:01.0	yes
12	(12) PG1218+304	COS/FUV COS/NUV	2	18-Sep-2017 17:01:03.0	yes
13	(13) RBS918	COS/FUV COS/NUV	1	18-Sep-2017 17:01:04.0	yes
14	(14) RBS970	COS/FUV COS/NUV	2	18-Sep-2017 17:01:05.0	yes
15	(15) RBS982	COS/FUV COS/NUV	2	18-Sep-2017 17:01:07.0	yes
16	(16) RBS1024	COS/FUV COS/NUV	2	18-Sep-2017 17:01:09.0	yes
17	(17) RBS1027	COS/FUV COS/NUV	1	18-Sep-2017 17:01:10.0	yes

Proposal 14772 (STScI Edit Number: 2, Created: Monday, September 18, 2017 4:01:49 PM EST) - Overview

<i>Visit</i>	<i>Targets used in Visit</i>	<i>Configurations used in Visit</i>	<i>Orbits Used</i>	<i>Last Orbit Planner Run</i>	<i>OP Current with Visit?</i>
67	(17) RBS1027	COS/FUV COS/NUV	1	18-Sep-2017 17:01:11.0	yes
18	(18) RBS1090	COS/FUV COS/NUV	2	18-Sep-2017 17:01:12.0	yes
19	(19) RXJ1054.2+3511	COS/FUV COS/NUV	1	18-Sep-2017 17:01:14.0	yes
20	(20) RXJ1119.2+4824	COS/FUV COS/NUV	1	18-Sep-2017 17:01:15.0	yes
21	(21) RXJ1125.0+2513	COS/FUV COS/NUV	1	18-Sep-2017 17:01:16.0	yes
22	(22) RXJ1131.1+2632	COS/FUV COS/NUV	1	18-Sep-2017 17:01:17.0	yes
23	(23) RXJ1140.1+4115	COS/FUV COS/NUV	2	18-Sep-2017 17:01:19.0	yes
24	(24) RXJ1140.6+4146	COS/FUV COS/NUV	2	18-Sep-2017 17:01:21.0	yes
25	(25) RXJ1142.5+2503	COS/FUV COS/NUV	2	18-Sep-2017 17:01:22.0	yes
26	(26) RXJ1142.7+4625	COS/FUV COS/NUV	2	18-Sep-2017 17:01:24.0	yes
27	(27) RXJ1154.1+2521	COS/FUV COS/NUV	2	18-Sep-2017 17:01:26.0	yes
28	(28) RXJ1200.9+2615	COS/FUV COS/NUV	2	18-Sep-2017 17:01:27.0	yes
29	(29) RXJ1210.7+2725	COS/FUV COS/NUV	2	18-Sep-2017 17:01:29.0	yes
30	(30) RXJ1212.2+2803	COS/FUV COS/NUV	2	18-Sep-2017 17:01:31.0	yes

<i>Visit</i>	<i>Targets used in Visit</i>	<i>Configurations used in Visit</i>	<i>Orbits Used</i>	<i>Last Orbit Planner Run</i>	<i>OP Current with Visit?</i>
31	(31) RXJ1217.2+2749	COS/FUV COS/NUV	2	18-Sep-2017 17:01:32.0	yes
32	(32) SDSSJ104550.90+441815.0	COS/FUV COS/NUV	2	18-Sep-2017 17:01:34.0	yes
33	(33) SDSSJ110756.50+474434.0	COS/FUV COS/NUV	2	18-Sep-2017 17:01:36.0	yes
34	(34) SDSSJ111908.70+254505.0	COS/FUV COS/NUV	2	18-Sep-2017 17:01:38.0	yes
35	(35) SDSSJ114646.00+371511.0	COS/FUV COS/NUV	1	18-Sep-2017 17:01:39.0	yes
36	(36) TON1337	COS/FUV COS/NUV	2	18-Sep-2017 17:01:41.0	yes
37	(37) TON1364	COS/FUV COS/NUV	2	18-Sep-2017 17:01:43.0	yes
38	(38) TON1448	COS/FUV COS/NUV	2	18-Sep-2017 17:01:44.0	yes
39	(39) US3101	COS/FUV COS/NUV	2	18-Sep-2017 17:01:46.0	yes
40	(40) WCOM	COS/FUV COS/NUV	1	18-Sep-2017 17:01:47.0	yes

71 Total Orbits Used

ABSTRACT

Cosmological simulations predict that dark matter and baryons condense into multi-Mpc filamentary structures, making up the Cosmic Web. This is outlined by dark matter halos, inside which 10% of baryons are concentrated to make stars in galaxies. The other 90% of the baryons remain gaseous, with about half located outside galaxy halos. They can be traced by Lyman alpha absorbers, whose HI column density is determined by a combination of gas density and the intensity of the extragalactic ionizing background (EGB). About 1000 HST orbits have been expended to map the 50% of baryons in galaxy halos. This contrasts with 37 orbits explicitly allocated to map the other 50% (our Cycle 18 program to observe 17 AGN

projected onto a single filament at $cz \sim 3500$ km/s). We propose a 68-orbit program to observe 40 AGN, creating a sample of 56 sightlines covering a second filament at $cz \sim 2500$ km/s. Using this dataset we will do the following: (1) measure the intensity of the EGB to within about 50%; (2) confirm that the linewidth of Ly α absorbers increases near the filament axis, suggesting increasing temperature or turbulence; (3) check our earlier finding that simulations predict a transverse density HI profile (which scales with the dark-matter profile) that is much broader than is indicated by the observations.

OBSERVING DESCRIPTION

We will use the COS G130M grating, with central wavelength set to 1291 Å for the first orbit, 1327 Å for the second (for targets with two orbits), giving full exposure time near 1220 Å but also providing continuous coverage from 1132 to 1468 Å ($z=0.20$ for Ly α), enhancing the archival value of the dataset. We will also use the four FP-POS positions to dither the placing of the spectrum on the grating. All observations will use TIME-TAG mode and the primary science aperture, giving a resolution of ~ 20 km/s, which compares well with the ~ 30 to 60 km/s intrinsic widths of the Ly α absorption lines. The total count rate (maximum 500 cts/s over the entire detector) is well below the safety limits. The reduced data will be analyzed using standard Voigt profile fitting reduction techniques to obtain the absorbing component structure and line parameters, including redshift, b-value and column density.

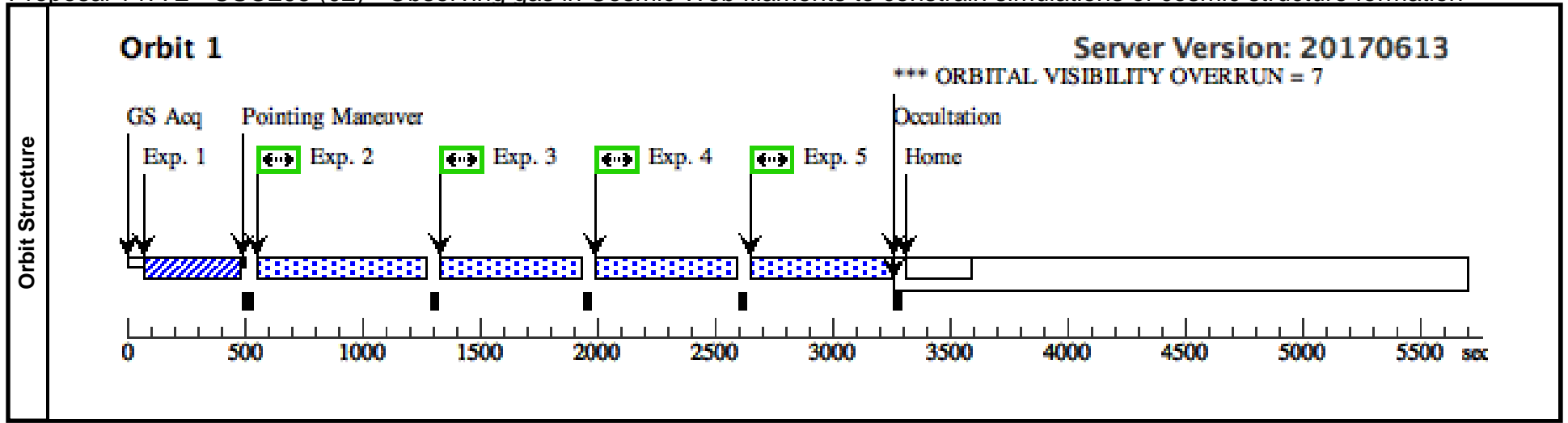
Target fluxes and redshifts are given in the observation table at the beginning of this proposal. All fluxes were derived from GLEX magnitudes. Looking at about 300 COS spectra, the GALEX magnitudes (measured at 1500 Å) almost always correctly predict the spectral flux near 1200 Å. We vetted each target by checking its optical image (SDSS or Palomar Sky Survey) as well as the GALEX image (using GalexView: <http://galex.stsci.edu/GalexView>), eliminating ones suspected to be extended or to have a Lyman limit system (as indicated by having an GALEX FUV (1350–1750 Å) flux much lower than their NUV (1750–2800 Å) flux).

The telescope and instrument overhead for our program will typically be 15 minutes in the first orbit, less in the second. Guide star acquisition takes about 5 minutes, FUV peak-up 5 minutes (first orbit only), and exposure and grating setup another 5 minutes (first orbit only). This leaves about 2400 seconds of exposure time in the first orbit, 3000 in the second. We chose to request one orbit for targets brighter than 0.45×10^{-14} erg/s/cm²/Å, for which an S/N ratio per 20 km/s resolution element of >10 can be obtained at a wavelength of 1220 Å. Two orbits (effective exposure time 5300 s) are allotted for fainter objects (down to 0.25×10^{-14} erg/s/cm²/Å, resulting in an S/N ratio of 10 to 17. S/N=10 is adequate for establishing the presence or absence of HI in the filament down to $\log N(\text{HI}) \sim 13$, and allows for a reasonable estimate of linewidths.

Proposal 14772 - CSO295 (02) - Observing gas in Cosmic Web filaments to constrain simulations of cosmic structure formation

Mon Sep 18 21:01:49 GMT 2017

Visit	Proposal 14772, CSO295 (02), implementation Diagnostic Status: Warning Scientific Instruments: COS/FUV, COS/NUV Special Requirements: (none)										
	(CSO295 (02)) Warning (Orbit Planner): ORBITAL VISIBILITY OVERRUN										
Fixed Targets	#	Name	Target Coordinates	Targ. Coord. Corrections	Fluxes	Miscellaneous					
	(2)	CSO295	RA: 10 52 5.5800 (163.0232500d) Dec: +36 40 39.70 (36.67769d) Equinox: J2000		V=17.14+/-0.1 F=0.47; z=0.609	Reference Frame: ICRS					
<i>Comments: Extended=NO</i>											
Exposures	#	Label (ETC Run)	Target	Config,Mode,Aperture	Spectral Els.	Opt. Params.	Special Reqs.	Groups	Exp. Time (Total)/[Actual Dur.]	Orbit	
	1	CSO295-AC Q/IMAGE (COS.ta.823 583)	(2) CSO295	COS/NUV, ACQ/IMAGE, PSA	MIRRORB				46 Secs (46 Secs) [==>]	[1]	
	<i>Comments: NUV acquisition exposure COS ETC result for S/N=40; GALEX M(NUV)=16.97 => texp=46 sec Count rate 922/sec</i>										
	2	CSO295-13 27.1 (COS.sp.823 795)	(2) CSO295	COS/FUV, TIME-TAG, PSA	G130M 1327 A	FP-POS=1; BUFFER-TIME=27 24; LIFETIME-POS=L P3				543 Secs (543 Secs) [==>]	[1]
	<i>Comments: Total on-source exposure time 0 sec; SN=9.4 id=COS.sp.823795</i>										
	3	CSO295-13 27.2 (COS.sp.823 795)	(2) CSO295	COS/FUV, TIME-TAG, PSA	G130M 1327 A	FP-POS=2; BUFFER-TIME=27 24; LIFETIME-POS=L P3				543 Secs (543 Secs) [==>]	[1]
<i>Comments: Total on-source exposure time 0 sec; SN=9.4 id=COS.sp.823795</i>											
4	CSO295-13 27.3 (COS.sp.823 795)	(2) CSO295	COS/FUV, TIME-TAG, PSA	G130M 1327 A	FP-POS=3; BUFFER-TIME=27 24; LIFETIME-POS=L P3				543 Secs (543 Secs) [==>]	[1]	
<i>Comments: Total on-source exposure time 0 sec; SN=9.4 id=COS.sp.823795</i>											
5	CSO295-13 27.4 (COS.sp.823 795)	(2) CSO295	COS/FUV, TIME-TAG, PSA	G130M 1327 A	FP-POS=4; BUFFER-TIME=27 24; LIFETIME-POS=L P3				545 Secs (545 Secs) [==>]	[1]	
<i>Comments: Total on-source exposure time 0 sec; SN=9.4 id=COS.sp.823795</i>											



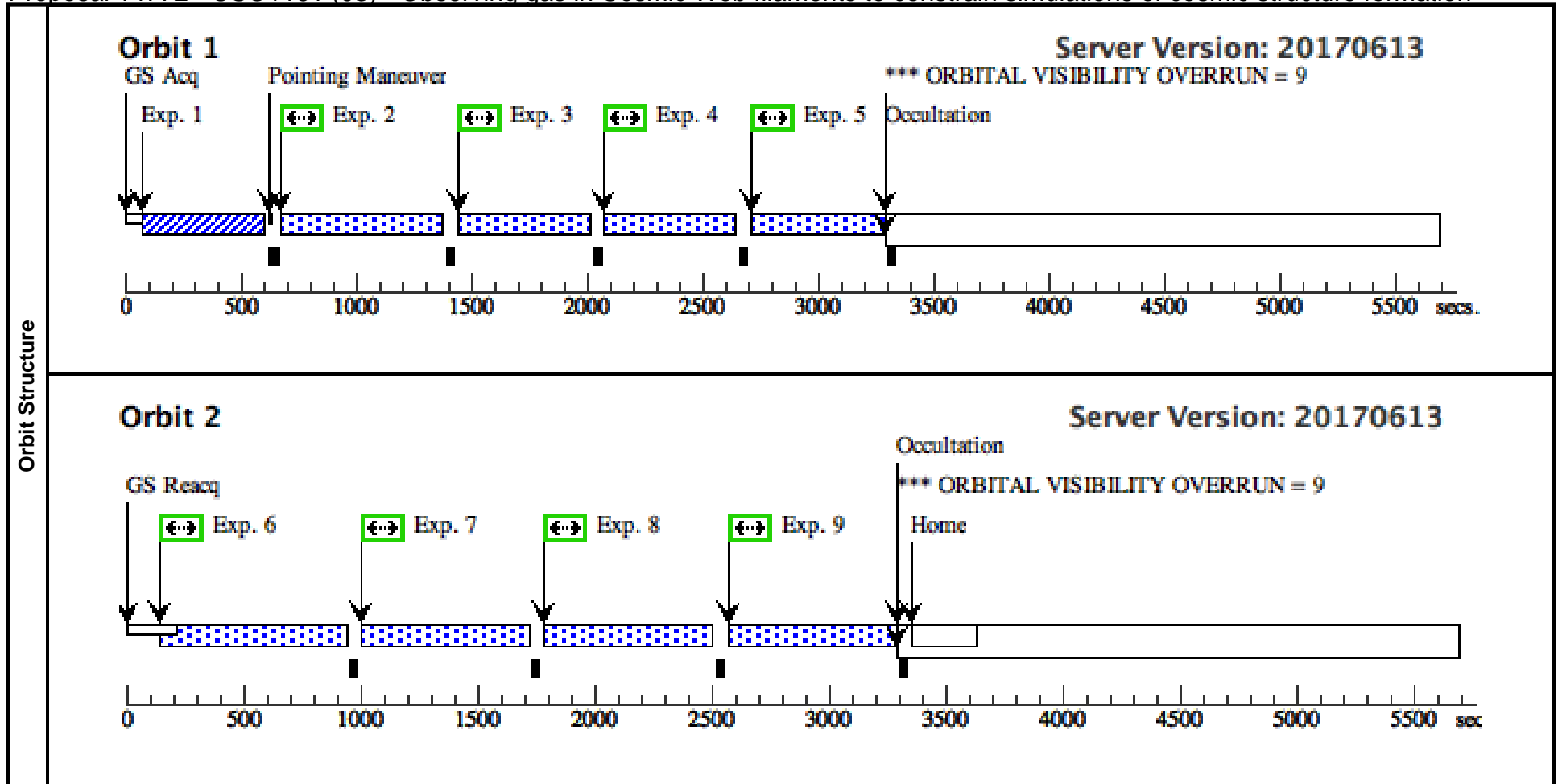
Proposal 14772 - CSO1161 (03) - Observing gas in Cosmic Web filaments to constrain simulations of cosmic structure formation

Mon Sep 18 21:01:49 GMT 2017

Visit	<p>Proposal 14772, CSO1161 (03), completed</p> <p>Diagnostic Status: Error</p> <p>Scientific Instruments: COS/FUV, COS/NUV</p> <p>Special Requirements: (none)</p>						
	Diagnostics	<p>(CSO1161-1327.1 (03.002)) Error (Form): LIFETIME-POS is required with G130M when not in Supported mode.</p> <p>(CSO1161-1327.2 (03.003)) Error (Form): LIFETIME-POS is required with G130M when not in Supported mode.</p> <p>(CSO1161-1327.3 (03.004)) Error (Form): LIFETIME-POS is required with G130M when not in Supported mode.</p> <p>(CSO1161-1327.4 (03.005)) Error (Form): LIFETIME-POS is required with G130M when not in Supported mode.</p> <p>(CSO1161-1300.1 (03.006)) Error (Form): LIFETIME-POS is required with G130M when not in Supported mode.</p> <p>(CSO1161-1300.2 (03.007)) Error (Form): LIFETIME-POS is required with G130M when not in Supported mode.</p> <p>(CSO1161-1300.3 (03.008)) Error (Form): LIFETIME-POS is required with G130M when not in Supported mode.</p> <p>(CSO1161-1300.4 (03.009)) Error (Form): LIFETIME-POS is required with G130M when not in Supported mode.</p> <p>(CSO1161 (03)) Warning (Orbit Planner): ORBITAL VISIBILITY OVERRUN</p> <p>(CSO1161 (03)) Warning (Orbit Planner): ORBITAL VISIBILITY OVERRUN</p> <p>(CSO1161-1327.1 (03.002)) Warning (Form): Defaults for SEGMENT have changed in APT25.2 for use of LP4 with G130M. See full description for details.</p> <p>(CSO1161-1327.2 (03.003)) Warning (Form): Defaults for SEGMENT have changed in APT25.2 for use of LP4 with G130M. See full description for details.</p> <p>(CSO1161-1327.3 (03.004)) Warning (Form): Defaults for SEGMENT have changed in APT25.2 for use of LP4 with G130M. See full description for details.</p> <p>(CSO1161-1327.4 (03.005)) Warning (Form): Defaults for SEGMENT have changed in APT25.2 for use of LP4 with G130M. See full description for details.</p> <p>(CSO1161-1300.1 (03.006)) Warning (Form): Defaults for SEGMENT have changed in APT25.2 for use of LP4 with G130M. See full description for details.</p> <p>(CSO1161-1300.2 (03.007)) Warning (Form): Defaults for SEGMENT have changed in APT25.2 for use of LP4 with G130M. See full description for details.</p> <p>(CSO1161-1300.3 (03.008)) Warning (Form): Defaults for SEGMENT have changed in APT25.2 for use of LP4 with G130M. See full description for details.</p> <p>(CSO1161-1300.4 (03.009)) Warning (Form): Defaults for SEGMENT have changed in APT25.2 for use of LP4 with G130M. See full description for details.</p>					
Fixed Targets		#	Name	Target Coordinates	Targ. Coord. Corrections	Fluxes	Miscellaneous
		(3)	CSO1161	<p>RA: 11 20 7.4300 (170.0309583d)</p> <p>Dec: +42 35 51.40 (42.59761d)</p> <p>Equinox: J2000</p>		<p>V=17.72+/-0.1</p> <p>F=0.35; z=0.227</p>	Reference Frame: ICRS
		<i>Comments: Extended=NO</i>					

Proposal 14772 - CSO1161 (03) - Observing gas in Cosmic Web filaments to constrain simulations of cosmic structure formation

#	Label (ETC Run)	Target	Config,Mode,Aperture	Spectral Els.	Opt. Params.	Special Reqs.	Groups	Exp. Time (Total)/[Actual Dur.]	Orbit	
Exposures	1	CSO1161-A CQ/IMAGE (COS.ta.823 581)	(3) CSO1161	COS/NUV, ACQ/IMAGE, PSA	MIRRORB			108 Secs (108 Secs) [==>]	[1]	
	<i>Comments: NUV acquisition exposure COS ETC result for S/N=40; GALEX M(NUV)=17.88 => texp=108 sec Count rate 894/sec</i>									
	2	CSO1161-1 327.1 (COS.sp.823 796)	(3) CSO1161	COS/FUV, TIME-TAG, PSA	G130M 1327 A	FP-POS=1; BUFFER-TIME=36 24			522 Secs (522 Secs) [==>]	[1]
	<i>Comments: Total on-source exposure time 0 sec; SN=11.9 id=COS.sp.823796</i>									
	3	CSO1161-1 327.2 (COS.sp.823 796)	(3) CSO1161	COS/FUV, TIME-TAG, PSA	G130M 1327 A	FP-POS=2; BUFFER-TIME=36 24			522 Secs (522 Secs) [==>]	[1]
	<i>Comments: Total on-source exposure time 0 sec; SN=11.9 id=COS.sp.823796</i>									
	4	CSO1161-1 327.3 (COS.sp.823 796)	(3) CSO1161	COS/FUV, TIME-TAG, PSA	G130M 1327 A	FP-POS=3; BUFFER-TIME=36 24			522 Secs (522 Secs) [==>]	[1]
	<i>Comments: Total on-source exposure time 0 sec; SN=11.9 id=COS.sp.823796</i>									
	5	CSO1161-1 327.4 (COS.sp.823 796)	(3) CSO1161	COS/FUV, TIME-TAG, PSA	G130M 1327 A	FP-POS=4; BUFFER-TIME=36 24			524 Secs (524 Secs) [==>]	[1]
<i>Comments: Total on-source exposure time 0 sec; SN=11.9 id=COS.sp.823796</i>										
6	CSO1161-1 300.1 (COS.sp.823 796)	(3) CSO1161	COS/FUV, TIME-TAG, PSA	G130M 1300 A	FP-POS=1; BUFFER-TIME=36 24			669 Secs (669 Secs) [==>]	[2]	
<i>Comments: Total on-source exposure time 0 sec; SN=11.9 id=COS.sp.823796</i>										
7	CSO1161-1 300.2 (COS.sp.823 796)	(3) CSO1161	COS/FUV, TIME-TAG, PSA	G130M 1300 A	FP-POS=2; BUFFER-TIME=36 24			669 Secs (669 Secs) [==>]	[2]	
<i>Comments: Total on-source exposure time 0 sec; SN=11.9 id=COS.sp.823796</i>										
8	CSO1161-1 300.3 (COS.sp.823 796)	(3) CSO1161	COS/FUV, TIME-TAG, PSA	G130M 1300 A	FP-POS=3; BUFFER-TIME=36 24			669 Secs (669 Secs) [==>]	[2]	
<i>Comments: Total on-source exposure time 0 sec; SN=11.9 id=COS.sp.823796</i>										
9	CSO1161-1 300.4 (COS.sp.823 796)	(3) CSO1161	COS/FUV, TIME-TAG, PSA	G130M 1300 A	FP-POS=4; BUFFER-TIME=36 24			669 Secs (669 Secs) [==>]	[2]	
<i>Comments: Total on-source exposure time 0 sec; SN=11.9 id=COS.sp.823796</i>										



Proposal 14772 - CSO1208 (04) - Observing gas in Cosmic Web filaments to constrain simulations of cosmic structure formation

Visit	Proposal 14772, CSO1208 (04), implementation Mon Sep 18 21:01:49 GMT 2017 Diagnostic Status: Warning Scientific Instruments: COS/FUV, COS/NUV Special Requirements: (none)																						
	Diagnosics (CSO1208 (04)) Warning (Orbit Planner): ORBITAL VISIBILITY OVERRUN (CSO1208 (04)) Warning (Orbit Planner): ORBITAL VISIBILITY OVERRUN																						
Fixed Targets	<table border="1"> <thead> <tr> <th>#</th> <th>Name</th> <th>Target Coordinates</th> <th>Targ. Coord. Corrections</th> <th>Fluxes</th> <th>Miscellaneous</th> </tr> </thead> <tbody> <tr> <td>(4)</td> <td>CSO1208</td> <td>RA: 11 40 47.9100 (175.1996250d) Dec: +46 22 4.90 (46.36803d) Equinox: J2000</td> <td></td> <td>V=16.17+/-0.1 F=0.68; z=0.115</td> <td>Reference Frame: ICRS</td> </tr> <tr> <td colspan="6"><i>Comments: Extended=NO</i></td> </tr> </tbody> </table>					#	Name	Target Coordinates	Targ. Coord. Corrections	Fluxes	Miscellaneous	(4)	CSO1208	RA: 11 40 47.9100 (175.1996250d) Dec: +46 22 4.90 (46.36803d) Equinox: J2000		V=16.17+/-0.1 F=0.68; z=0.115	Reference Frame: ICRS	<i>Comments: Extended=NO</i>					
	#	Name	Target Coordinates	Targ. Coord. Corrections	Fluxes	Miscellaneous																	
(4)	CSO1208	RA: 11 40 47.9100 (175.1996250d) Dec: +46 22 4.90 (46.36803d) Equinox: J2000		V=16.17+/-0.1 F=0.68; z=0.115	Reference Frame: ICRS																		
<i>Comments: Extended=NO</i>																							

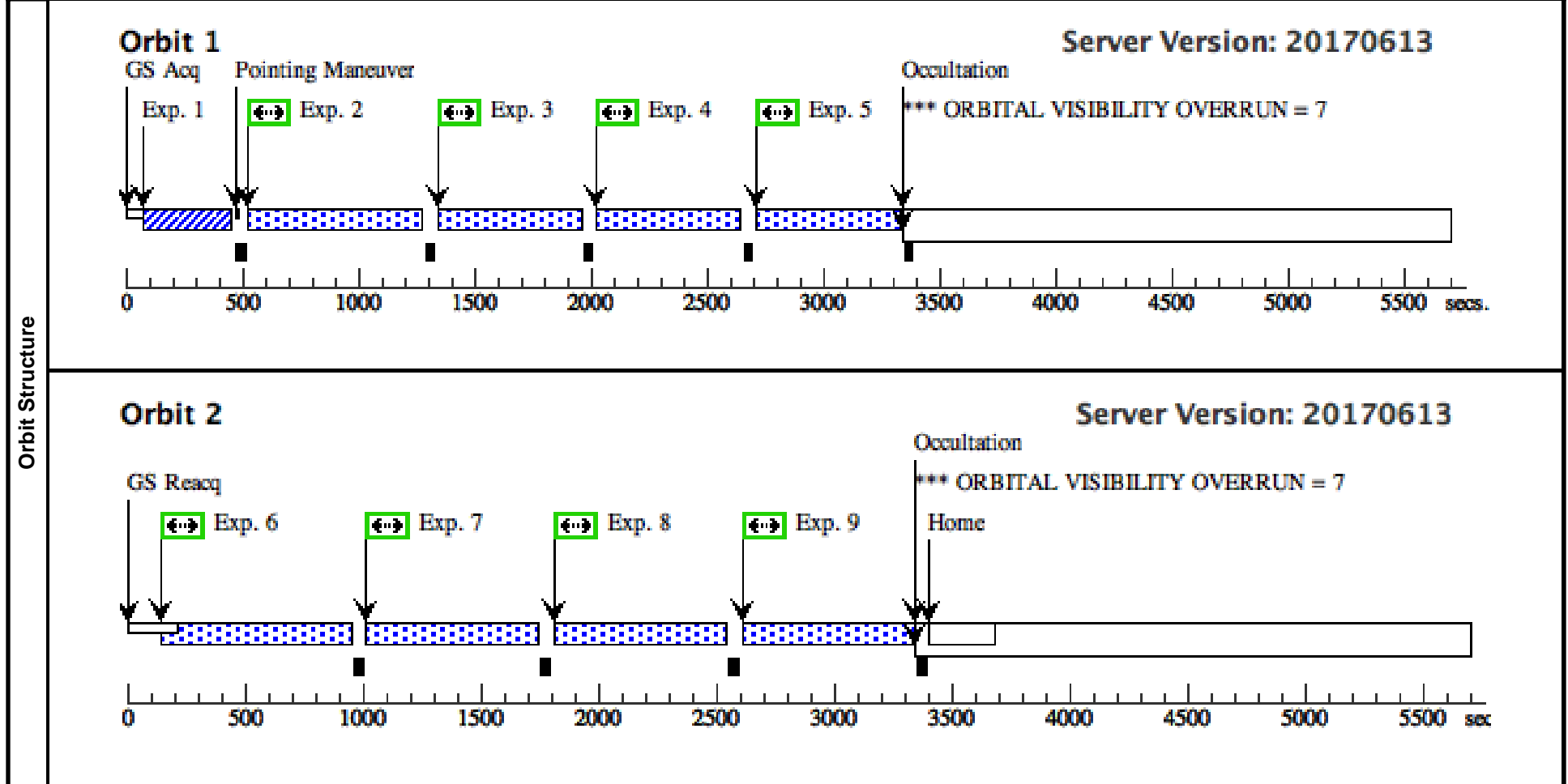
Proposal 14772 - CSO1208 (04) - Observing gas in Cosmic Web filaments to constrain simulations of cosmic structure formation

#	Label (ETC Run)	Target	Config,Mode,Aperture	Spectral Els.	Opt. Params.	Special Reqs.	Groups	Exp. Time (Total)/[Actual Dur.]	Orbit	
Exposures	1	CSO1208-A CQ/IMAGE (COS.ta.823 579)	(4) CSO1208	COS/NUV, ACQ/IMAGE, PSA	MIRRORB			33 Secs (33 Secs) [==>]	[1]	
	<i>Comments: NUV acquisition exposure COS ETC result for S/N=40; GALEX M(NUV)=16.60 => texp=33 sec Count rate 943/sec</i>									
	2	CSO1208-1 327.1 (COS.sp.823 797)	(4) CSO1208	COS/FUV, TIME-TAG, PSA	G130M 1327 A	FP-POS=1; BUFFER-TIME=29 02; LIFETIME-POS=L P3			571 Secs (571 Secs) [==>]	[1]
	<i>Comments: Total on-source exposure time 0 sec; SN=11.6 id=COS.sp.823797</i>									
	3	CSO1208-1 327.2 (COS.sp.823 797)	(4) CSO1208	COS/FUV, TIME-TAG, PSA	G130M 1327 A	FP-POS=2; BUFFER-TIME=29 02; LIFETIME-POS=L P3			571 Secs (571 Secs) [==>]	[1]
	<i>Comments: Total on-source exposure time 0 sec; SN=11.6 id=COS.sp.823797</i>									
	4	CSO1208-1 327.3 (COS.sp.823 797)	(4) CSO1208	COS/FUV, TIME-TAG, PSA	G130M 1327 A	FP-POS=3; BUFFER-TIME=29 02; LIFETIME-POS=L P3			571 Secs (571 Secs) [==>]	[1]
	<i>Comments: Total on-source exposure time 0 sec; SN=11.6 id=COS.sp.823797</i>									
5	CSO1208-1 327.4 (COS.sp.823 797)	(4) CSO1208	COS/FUV, TIME-TAG, PSA	G130M 1327 A	FP-POS=4; BUFFER-TIME=29 02; LIFETIME-POS=L P3			572 Secs (572 Secs) [==>]	[1]	
<i>Comments: Total on-source exposure time 0 sec; SN=11.6 id=COS.sp.823797</i>										
6	CSO1208-1 300.1 (COS.sp.823 797)	(4) CSO1208	COS/FUV, TIME-TAG, PSA	G130M 1300 A	FP-POS=1; BUFFER-TIME=29 02; LIFETIME-POS=L P3			674 Secs (674 Secs) [==>]	[2]	
<i>Comments: Total on-source exposure time 0 sec; SN=11.6 id=COS.sp.823797</i>										
7	CSO1208-1 300.2 (COS.sp.823 797)	(4) CSO1208	COS/FUV, TIME-TAG, PSA	G130M 1300 A	FP-POS=2; BUFFER-TIME=29 02; LIFETIME-POS=L P3			674 Secs (674 Secs) [==>]	[2]	
<i>Comments: Total on-source exposure time 0 sec; SN=11.6 id=COS.sp.823797</i>										
8	CSO1208-1 300.3 (COS.sp.823 797)	(4) CSO1208	COS/FUV, TIME-TAG, PSA	G130M 1300 A	FP-POS=3; BUFFER-TIME=29 02; LIFETIME-POS=L P3			673 Secs (673 Secs) [==>]	[2]	
<i>Comments: Total on-source exposure time 0 sec; SN=11.6 id=COS.sp.823797</i>										

Proposal 14772 - CSO1208 (04) - Observing gas in Cosmic Web filaments to constrain simulations of cosmic structure formation

9	CSO1208-1 (4) CSO1208 300.4 (COS.sp.823 797)	COS/FUV, TIME-TAG, PSA	G130M 1300 A	FP-POS=4; BUFFER-TIME=29 02; LIFETIME-POS=L P3	673 Secs (673 Secs) [==>]	[2]
---	---	------------------------	-----------------	--	------------------------------	-----

Comments: Total on-source exposure time 0 sec; SN=11.6 id=COS.sp.823797



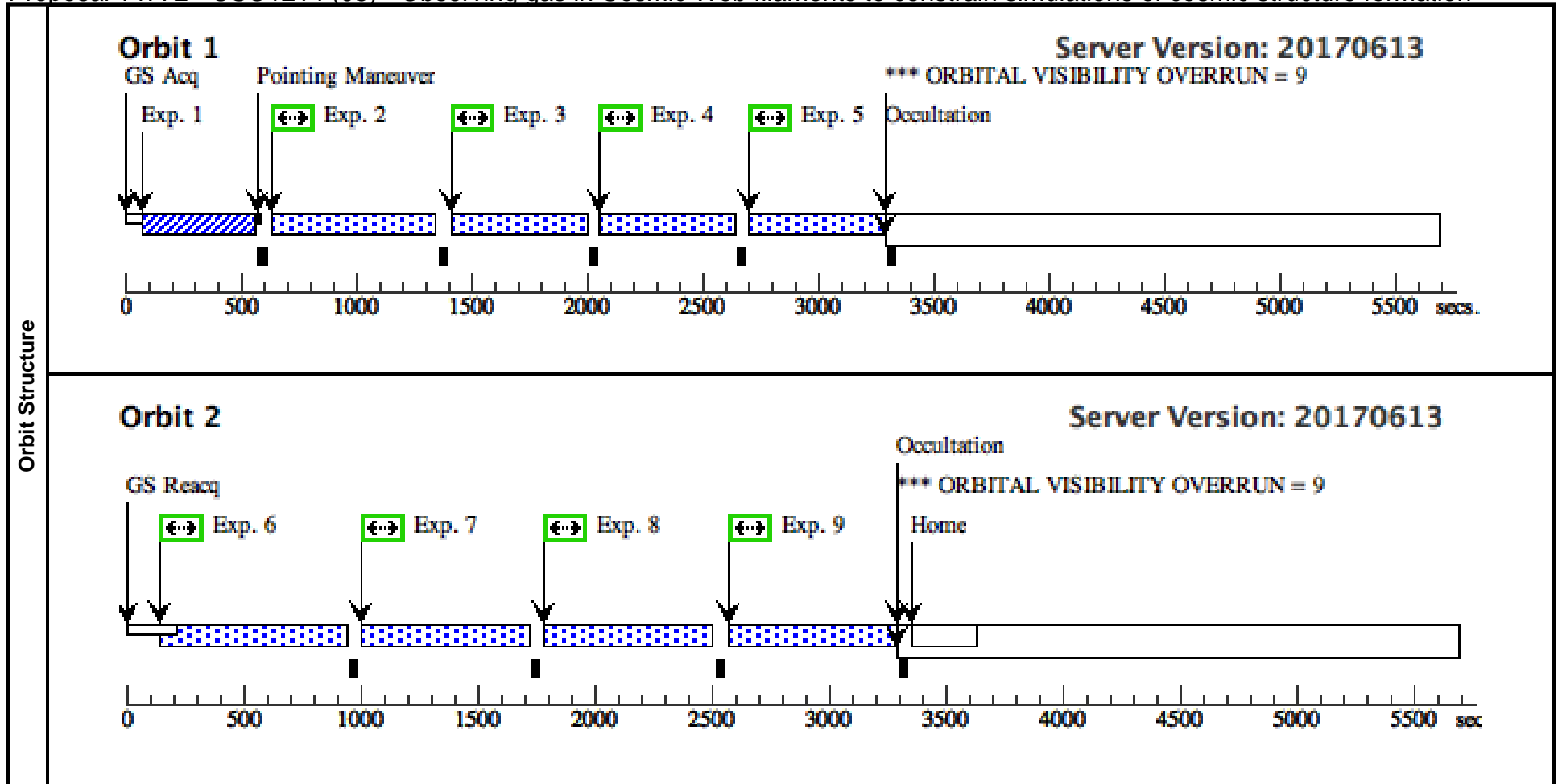
Proposal 14772 - CSO1214 (05) - Observing gas in Cosmic Web filaments to constrain simulations of cosmic structure formation

Mon Sep 18 21:01:49 GMT 2017

Visit	<p>Proposal 14772, CSO1214 (05), failed</p> <p>Diagnostic Status: Error</p> <p>Scientific Instruments: COS/FUV, COS/NUV</p> <p>Special Requirements: (none)</p>						
	Diagnostics	<p>(CSO1214-1327.1 (05.002)) Error (Form): LIFETIME-POS is required with G130M when not in Supported mode.</p> <p>(CSO1214-1327.2 (05.003)) Error (Form): LIFETIME-POS is required with G130M when not in Supported mode.</p> <p>(CSO1214-1327.3 (05.004)) Error (Form): LIFETIME-POS is required with G130M when not in Supported mode.</p> <p>(CSO1214-1327.4 (05.005)) Error (Form): LIFETIME-POS is required with G130M when not in Supported mode.</p> <p>(CSO1214-1300.1 (05.006)) Error (Form): LIFETIME-POS is required with G130M when not in Supported mode.</p> <p>(CSO1214-1300.2 (05.007)) Error (Form): LIFETIME-POS is required with G130M when not in Supported mode.</p> <p>(CSO1214-1300.3 (05.008)) Error (Form): LIFETIME-POS is required with G130M when not in Supported mode.</p> <p>(CSO1214-1300.4 (05.009)) Error (Form): LIFETIME-POS is required with G130M when not in Supported mode.</p> <p>(CSO1214 (05)) Warning (Orbit Planner): ORBITAL VISIBILITY OVERRUN</p> <p>(CSO1214 (05)) Warning (Orbit Planner): ORBITAL VISIBILITY OVERRUN</p> <p>(CSO1214-1327.1 (05.002)) Warning (Form): Defaults for SEGMENT have changed in APT25.2 for use of LP4 with G130M. See full description for details.</p> <p>(CSO1214-1327.2 (05.003)) Warning (Form): Defaults for SEGMENT have changed in APT25.2 for use of LP4 with G130M. See full description for details.</p> <p>(CSO1214-1327.3 (05.004)) Warning (Form): Defaults for SEGMENT have changed in APT25.2 for use of LP4 with G130M. See full description for details.</p> <p>(CSO1214-1327.4 (05.005)) Warning (Form): Defaults for SEGMENT have changed in APT25.2 for use of LP4 with G130M. See full description for details.</p> <p>(CSO1214-1300.1 (05.006)) Warning (Form): Defaults for SEGMENT have changed in APT25.2 for use of LP4 with G130M. See full description for details.</p> <p>(CSO1214-1300.2 (05.007)) Warning (Form): Defaults for SEGMENT have changed in APT25.2 for use of LP4 with G130M. See full description for details.</p> <p>(CSO1214-1300.3 (05.008)) Warning (Form): Defaults for SEGMENT have changed in APT25.2 for use of LP4 with G130M. See full description for details.</p> <p>(CSO1214-1300.4 (05.009)) Warning (Form): Defaults for SEGMENT have changed in APT25.2 for use of LP4 with G130M. See full description for details.</p>					
Fixed Targets		#	Name	Target Coordinates	Targ. Coord. Corrections	Fluxes	Miscellaneous
		(5)	CSO1214	<p>RA: 11 43 27.2100 (175.8633750d)</p> <p>Dec: +43 11 46.00 (43.19611d)</p> <p>Equinox: J2000</p>		<p>V=17.73+/-0.1</p> <p>F=0.34; z=0.305</p>	Reference Frame: ICRS
		<i>Comments: Extended=NO</i>					

Proposal 14772 - CSO1214 (05) - Observing gas in Cosmic Web filaments to constrain simulations of cosmic structure formation

#	Label (ETC Run)	Target	Config,Mode,Aperture	Spectral Els.	Opt. Params.	Special Reqs.	Groups	Exp. Time (Total)/[Actual Dur.]	Orbit	
Exposures	1	CSO1214-A CQ/IMAGE (COS.ta.823 581)	(5) CSO1214	COS/NUV, ACQ/IMAGE, PSA	MIRRORB			87 Secs (87 Secs) [==>]	[1]	
	<i>Comments: NUV acquisition exposure COS ETC result for S/N=40; GALEX M(NUV)=17.65 => texp=87 sec Count rate 898/sec</i>									
	2	CSO1214-1 327.1 (COS.sp.823 798)	(5) CSO1214	COS/FUV, TIME-TAG, PSA	G130M 1327 A	FP-POS=1; BUFFER-TIME=36 52			533 Secs (533 Secs) [==>]	[1]
	<i>Comments: Total on-source exposure time 0 sec; SN=11.8 id=COS.sp.823798</i>									
	3	CSO1214-1 327.2 (COS.sp.823 798)	(5) CSO1214	COS/FUV, TIME-TAG, PSA	G130M 1327 A	FP-POS=2; BUFFER-TIME=36 52			533 Secs (533 Secs) [==>]	[1]
	<i>Comments: Total on-source exposure time 0 sec; SN=11.8 id=COS.sp.823798</i>									
	4	CSO1214-1 327.3 (COS.sp.823 798)	(5) CSO1214	COS/FUV, TIME-TAG, PSA	G130M 1327 A	FP-POS=3; BUFFER-TIME=36 52			533 Secs (533 Secs) [==>]	[1]
	<i>Comments: Total on-source exposure time 0 sec; SN=11.8 id=COS.sp.823798</i>									
	5	CSO1214-1 327.4 (COS.sp.823 798)	(5) CSO1214	COS/FUV, TIME-TAG, PSA	G130M 1327 A	FP-POS=4; BUFFER-TIME=36 52			533 Secs (533 Secs) [==>]	[1]
<i>Comments: Total on-source exposure time 0 sec; SN=11.8 id=COS.sp.823798</i>										
6	CSO1214-1 300.1 (COS.sp.823 798)	(5) CSO1214	COS/FUV, TIME-TAG, PSA	G130M 1300 A	FP-POS=1; BUFFER-TIME=36 52			669 Secs (669 Secs) [==>]	[2]	
<i>Comments: Total on-source exposure time 0 sec; SN=11.8 id=COS.sp.823798</i>										
7	CSO1214-1 300.2 (COS.sp.823 798)	(5) CSO1214	COS/FUV, TIME-TAG, PSA	G130M 1300 A	FP-POS=2; BUFFER-TIME=36 52			669 Secs (669 Secs) [==>]	[2]	
<i>Comments: Total on-source exposure time 0 sec; SN=11.8 id=COS.sp.823798</i>										
8	CSO1214-1 300.3 (COS.sp.823 798)	(5) CSO1214	COS/FUV, TIME-TAG, PSA	G130M 1300 A	FP-POS=3; BUFFER-TIME=36 52			669 Secs (669 Secs) [==>]	[2]	
<i>Comments: Total on-source exposure time 0 sec; SN=11.8 id=COS.sp.823798</i>										
9	CSO1214-1 300.4 (COS.sp.823 798)	(5) CSO1214	COS/FUV, TIME-TAG, PSA	G130M 1300 A	FP-POS=4; BUFFER-TIME=36 52			669 Secs (669 Secs) [==>]	[2]	
<i>Comments: Total on-source exposure time 0 sec; SN=11.8 id=COS.sp.823798</i>										



Proposal 14772 - CSO1214 (55) - Observing gas in Cosmic Web filaments to constrain simulations of cosmic structure formation

Visit	Proposal 14772, CSO1214 (55), implementation Mon Sep 18 21:01:50 GMT 2017 Diagnostic Status: Warning Scientific Instruments: COS/FUV, COS/NUV Special Requirements: (none)																						
	Diagnostics	(CSO1214 (55)) Warning (Orbit Planner): ORBITAL VISIBILITY OVERRUN (CSO1214 (55)) Warning (Orbit Planner): ORBITAL VISIBILITY OVERRUN																					
Fixed Targets		<table border="1" style="width: 100%; border-collapse: collapse;"> <thead> <tr> <th style="width: 5%;">#</th> <th style="width: 20%;">Name</th> <th style="width: 25%;">Target Coordinates</th> <th style="width: 20%;">Targ. Coord. Corrections</th> <th style="width: 15%;">Fluxes</th> <th style="width: 15%;">Miscellaneous</th> </tr> </thead> <tbody> <tr> <td>(5)</td> <td>CSO1214</td> <td>RA: 11 43 27.2100 (175.8633750d) Dec: +43 11 46.00 (43.19611d) Equinox: J2000</td> <td></td> <td>V=17.73+/-0.1 F=0.34; z=0.305</td> <td>Reference Frame: ICRS</td> </tr> <tr> <td colspan="6"><i>Comments: Extended=NO</i></td> </tr> </tbody> </table>					#	Name	Target Coordinates	Targ. Coord. Corrections	Fluxes	Miscellaneous	(5)	CSO1214	RA: 11 43 27.2100 (175.8633750d) Dec: +43 11 46.00 (43.19611d) Equinox: J2000		V=17.73+/-0.1 F=0.34; z=0.305	Reference Frame: ICRS	<i>Comments: Extended=NO</i>				
	#	Name	Target Coordinates	Targ. Coord. Corrections	Fluxes	Miscellaneous																	
(5)	CSO1214	RA: 11 43 27.2100 (175.8633750d) Dec: +43 11 46.00 (43.19611d) Equinox: J2000		V=17.73+/-0.1 F=0.34; z=0.305	Reference Frame: ICRS																		
<i>Comments: Extended=NO</i>																							

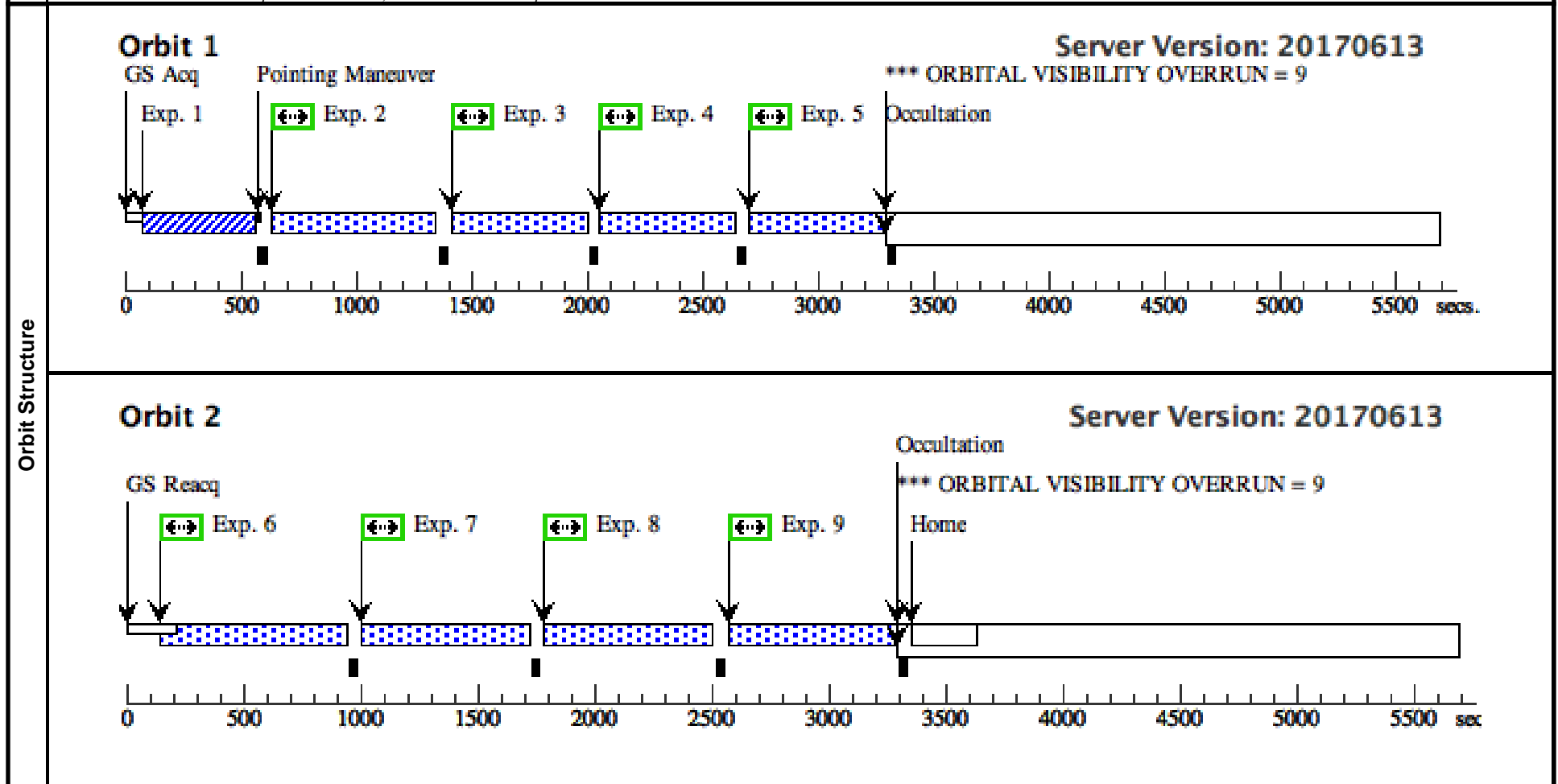
Proposal 14772 - CSO1214 (55) - Observing gas in Cosmic Web filaments to constrain simulations of cosmic structure formation

#	Label (ETC Run)	Target	Config,Mode,Aperture	Spectral Els.	Opt. Params.	Special Reqs.	Groups	Exp. Time (Total)/[Actual Dur.]	Orbit	
Exposures	1	CSO1214-A CQ/IMAGE (COS.ta.823 581)	(5) CSO1214	COS/NUV, ACQ/IMAGE, PSA	MIRRORB			87 Secs (87 Secs) [==>]	[1]	
	<i>Comments: NUV acquisition exposure COS ETC result for S/N=40; GALEX M(NUV)=17.65 => texp=87 sec Count rate 898/sec</i>									
	2	CSO1214-1 327.1 (COS.sp.823 798)	(5) CSO1214	COS/FUV, TIME-TAG, PSA	G130M 1327 A	FP-POS=1; BUFFER-TIME=36 52; LIFETIME-POS=L P3			533 Secs (533 Secs) [==>]	[1]
	<i>Comments: Total on-source exposure time 0 sec; SN=11.8 id=COS.sp.823798</i>									
	3	CSO1214-1 327.2 (COS.sp.823 798)	(5) CSO1214	COS/FUV, TIME-TAG, PSA	G130M 1327 A	FP-POS=2; BUFFER-TIME=36 52; LIFETIME-POS=L P3			533 Secs (533 Secs) [==>]	[1]
	<i>Comments: Total on-source exposure time 0 sec; SN=11.8 id=COS.sp.823798</i>									
	4	CSO1214-1 327.3 (COS.sp.823 798)	(5) CSO1214	COS/FUV, TIME-TAG, PSA	G130M 1327 A	FP-POS=3; BUFFER-TIME=36 52; LIFETIME-POS=L P3			533 Secs (533 Secs) [==>]	[1]
	<i>Comments: Total on-source exposure time 0 sec; SN=11.8 id=COS.sp.823798</i>									
5	CSO1214-1 327.4 (COS.sp.823 798)	(5) CSO1214	COS/FUV, TIME-TAG, PSA	G130M 1327 A	FP-POS=4; BUFFER-TIME=36 52; LIFETIME-POS=L P3			533 Secs (533 Secs) [==>]	[1]	
<i>Comments: Total on-source exposure time 0 sec; SN=11.8 id=COS.sp.823798</i>										
6	CSO1214-1 300.1 (COS.sp.823 798)	(5) CSO1214	COS/FUV, TIME-TAG, PSA	G130M 1300 A	FP-POS=1; BUFFER-TIME=36 52; LIFETIME-POS=L P3			669 Secs (669 Secs) [==>]	[2]	
<i>Comments: Total on-source exposure time 0 sec; SN=11.8 id=COS.sp.823798</i>										
7	CSO1214-1 300.2 (COS.sp.823 798)	(5) CSO1214	COS/FUV, TIME-TAG, PSA	G130M 1300 A	FP-POS=2; BUFFER-TIME=36 52; LIFETIME-POS=L P3			669 Secs (669 Secs) [==>]	[2]	
<i>Comments: Total on-source exposure time 0 sec; SN=11.8 id=COS.sp.823798</i>										
8	CSO1214-1 300.3 (COS.sp.823 798)	(5) CSO1214	COS/FUV, TIME-TAG, PSA	G130M 1300 A	FP-POS=3; BUFFER-TIME=36 52; LIFETIME-POS=L P3			669 Secs (669 Secs) [==>]	[2]	
<i>Comments: Total on-source exposure time 0 sec; SN=11.8 id=COS.sp.823798</i>										

Proposal 14772 - CSO1214 (55) - Observing gas in Cosmic Web filaments to constrain simulations of cosmic structure formation

9	CSO1214-1 (5) CSO1214 300.4 (COS.sp.823 798)	COS/FUV, TIME-TAG, PSA	G130M 1300 A	FP-POS=4; BUFFER-TIME=36 52; LIFETIME-POS=L P3	669 Secs (669 Secs)	[2]
					[==>]	

Comments: Total on-source exposure time 0 sec; SN=11.8 id=COS.sp.823798



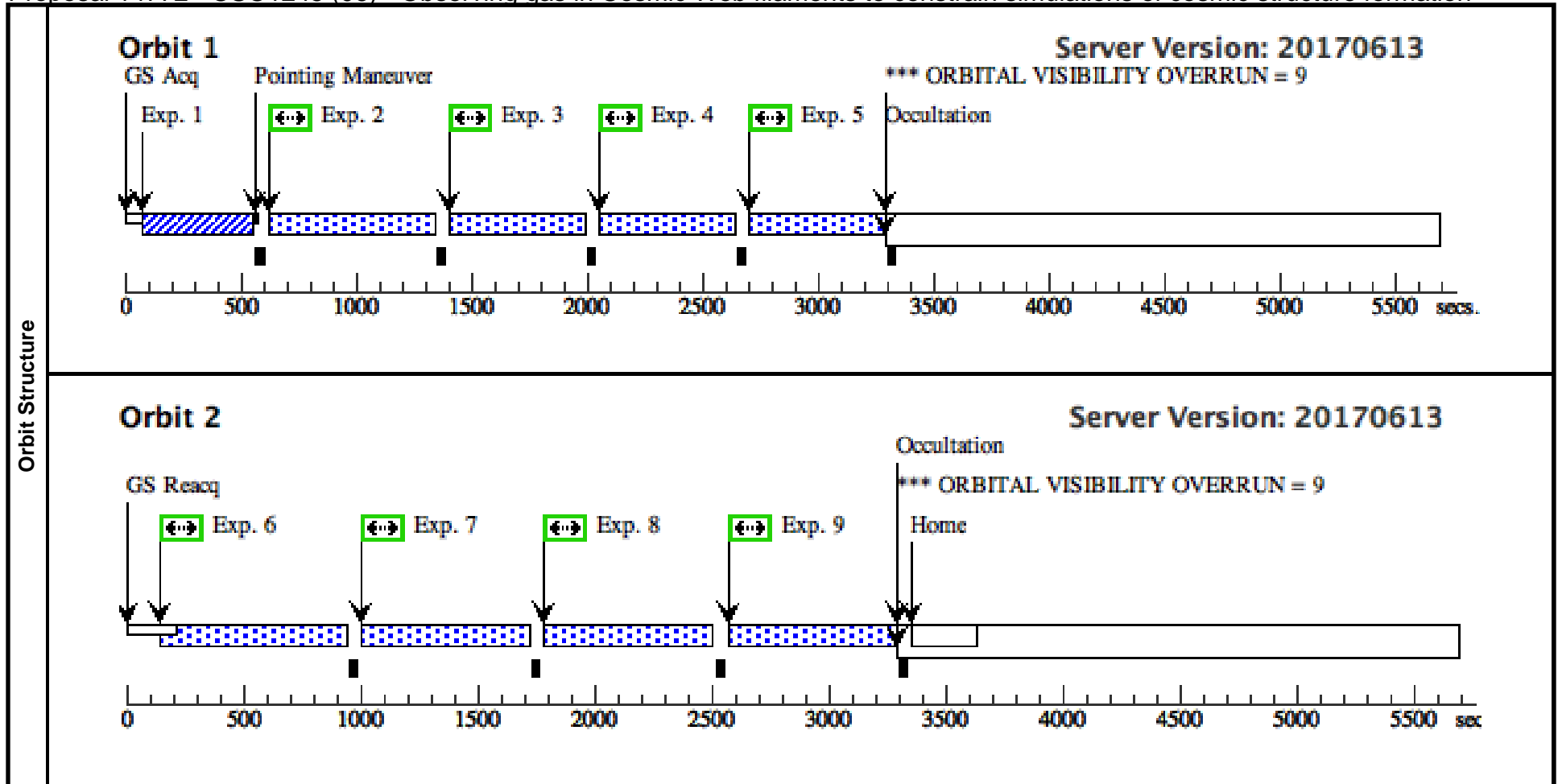
Proposal 14772 - CSO1245 (06) - Observing gas in Cosmic Web filaments to constrain simulations of cosmic structure formation

Mon Sep 18 21:01:50 GMT 2017

Visit	Proposal 14772, CSO1245 (06), completed Diagnostic Status: Error Scientific Instruments: COS/FUV, COS/NUV Special Requirements: (none)				
	Diagnostics	(CSO1245-1327.1 (06.002)) Error (Form): LIFETIME-POS is required with G130M when not in Supported mode.			
(CSO1245-1327.2 (06.003)) Error (Form): LIFETIME-POS is required with G130M when not in Supported mode.					
(CSO1245-1327.3 (06.004)) Error (Form): LIFETIME-POS is required with G130M when not in Supported mode.					
(CSO1245-1327.4 (06.005)) Error (Form): LIFETIME-POS is required with G130M when not in Supported mode.					
(CSO1245-1300.1 (06.006)) Error (Form): LIFETIME-POS is required with G130M when not in Supported mode.					
(CSO1245-1300.2 (06.007)) Error (Form): LIFETIME-POS is required with G130M when not in Supported mode.					
(CSO1245-1300.3 (06.008)) Error (Form): LIFETIME-POS is required with G130M when not in Supported mode.					
(CSO1245-1300.4 (06.009)) Error (Form): LIFETIME-POS is required with G130M when not in Supported mode.					
(CSO1245 (06)) Warning (Orbit Planner): ORBITAL VISIBILITY OVERRUN					
(CSO1245 (06)) Warning (Orbit Planner): ORBITAL VISIBILITY OVERRUN					
(CSO1245-1327.1 (06.002)) Warning (Form): Defaults for SEGMENT have changed in APT25.2 for use of LP4 with G130M. See full description for details.					
(CSO1245-1327.2 (06.003)) Warning (Form): Defaults for SEGMENT have changed in APT25.2 for use of LP4 with G130M. See full description for details.					
(CSO1245-1327.3 (06.004)) Warning (Form): Defaults for SEGMENT have changed in APT25.2 for use of LP4 with G130M. See full description for details.					
(CSO1245-1300.1 (06.006)) Warning (Form): Defaults for SEGMENT have changed in APT25.2 for use of LP4 with G130M. See full description for details.					
(CSO1245-1300.2 (06.007)) Warning (Form): Defaults for SEGMENT have changed in APT25.2 for use of LP4 with G130M. See full description for details.					
(CSO1245-1300.3 (06.008)) Warning (Form): Defaults for SEGMENT have changed in APT25.2 for use of LP4 with G130M. See full description for details.					
(CSO1245-1300.4 (06.009)) Warning (Form): Defaults for SEGMENT have changed in APT25.2 for use of LP4 with G130M. See full description for details.					
Fixed Targets	#	Name	Target Coordinates	Targ. Coord. Corrections	Fluxes
	(6)	CSO1245	RA: 11 56 30.0800 (179.1253333d) Dec: +42 52 54.70 (42.88186d) Equinox: J2000		V=17.40+/-0.1 F=0.26; z=1.014
<i>Comments: Extended=NO</i>					
Miscellaneous Reference Frame: ICRS					

Proposal 14772 - CSO1245 (06) - Observing gas in Cosmic Web filaments to constrain simulations of cosmic structure formation

#	Label (ETC Run)	Target	Config,Mode,Aperture	Spectral Els.	Opt. Params.	Special Reqs.	Groups	Exp. Time (Total)/[Actual Dur.]	Orbit	
Exposures	1	CSO1245-A CQ/IMAGE (COS.ta.823 582)	(6) CSO1245	COS/NUV, ACQ/IMAGE, PSA	MIRRORB			81 Secs (81 Secs) [==>]	[1]	
	<i>Comments: NUV acquisition exposure COS ETC result for S/N=40; GALEX M(NUV)=17.57 => texp=81 sec Count rate 900/sec</i>									
	2	CSO1245-1 327.1 (COS.sp.823 799)	(6) CSO1245	COS/FUV, TIME-TAG, PSA	G130M 1327 A	FP-POS=1; BUFFER-TIME=38 88			536 Secs (536 Secs) [==>]	[1]
	<i>Comments: Total on-source exposure time 0 sec; SN=10.3 id=COS.sp.823799</i>									
	3	CSO1245-1 327.2 (COS.sp.823 799)	(6) CSO1245	COS/FUV, TIME-TAG, PSA	G130M 1327 A	FP-POS=2; BUFFER-TIME=38 88			536 Secs (536 Secs) [==>]	[1]
	<i>Comments: Total on-source exposure time 0 sec; SN=10.3 id=COS.sp.823799</i>									
	4	CSO1245-1 327.3 (COS.sp.823 799)	(6) CSO1245	COS/FUV, TIME-TAG, PSA	G130M 1327 A	FP-POS=3; BUFFER-TIME=38 88			536 Secs (536 Secs) [==>]	[1]
	<i>Comments: Total on-source exposure time 0 sec; SN=10.3 id=COS.sp.823799</i>									
	5	CSO1245-1 327.4 (COS.sp.823 799)	(6) CSO1245	COS/FUV, TIME-TAG, PSA	G130M 1327 A	FP-POS=4; BUFFER-TIME=38 88			536 Secs (536 Secs) [==>]	[1]
<i>Comments: Total on-source exposure time 0 sec; SN=10.3 id=COS.sp.823799</i>										
6	CSO1245-1 300.1 (COS.sp.823 799)	(6) CSO1245	COS/FUV, TIME-TAG, PSA	G130M 1300 A	FP-POS=1; BUFFER-TIME=38 88			669 Secs (669 Secs) [==>]	[2]	
<i>Comments: Total on-source exposure time 0 sec; SN=10.3 id=COS.sp.823799</i>										
7	CSO1245-1 300.2 (COS.sp.823 799)	(6) CSO1245	COS/FUV, TIME-TAG, PSA	G130M 1300 A	FP-POS=2; BUFFER-TIME=38 88			669 Secs (669 Secs) [==>]	[2]	
<i>Comments: Total on-source exposure time 0 sec; SN=10.3 id=COS.sp.823799</i>										
8	CSO1245-1 300.3 (COS.sp.823 799)	(6) CSO1245	COS/FUV, TIME-TAG, PSA	G130M 1300 A	FP-POS=3; BUFFER-TIME=38 88			669 Secs (669 Secs) [==>]	[2]	
<i>Comments: Total on-source exposure time 0 sec; SN=10.3 id=COS.sp.823799</i>										
9	CSO1245-1 300.4 (COS.sp.823 799)	(6) CSO1245	COS/FUV, TIME-TAG, PSA	G130M 1300 A	FP-POS=4; BUFFER-TIME=38 88			669 Secs (669 Secs) [==>]	[2]	
<i>Comments: Total on-source exposure time 0 sec; SN=10.3 id=COS.sp.823799</i>										



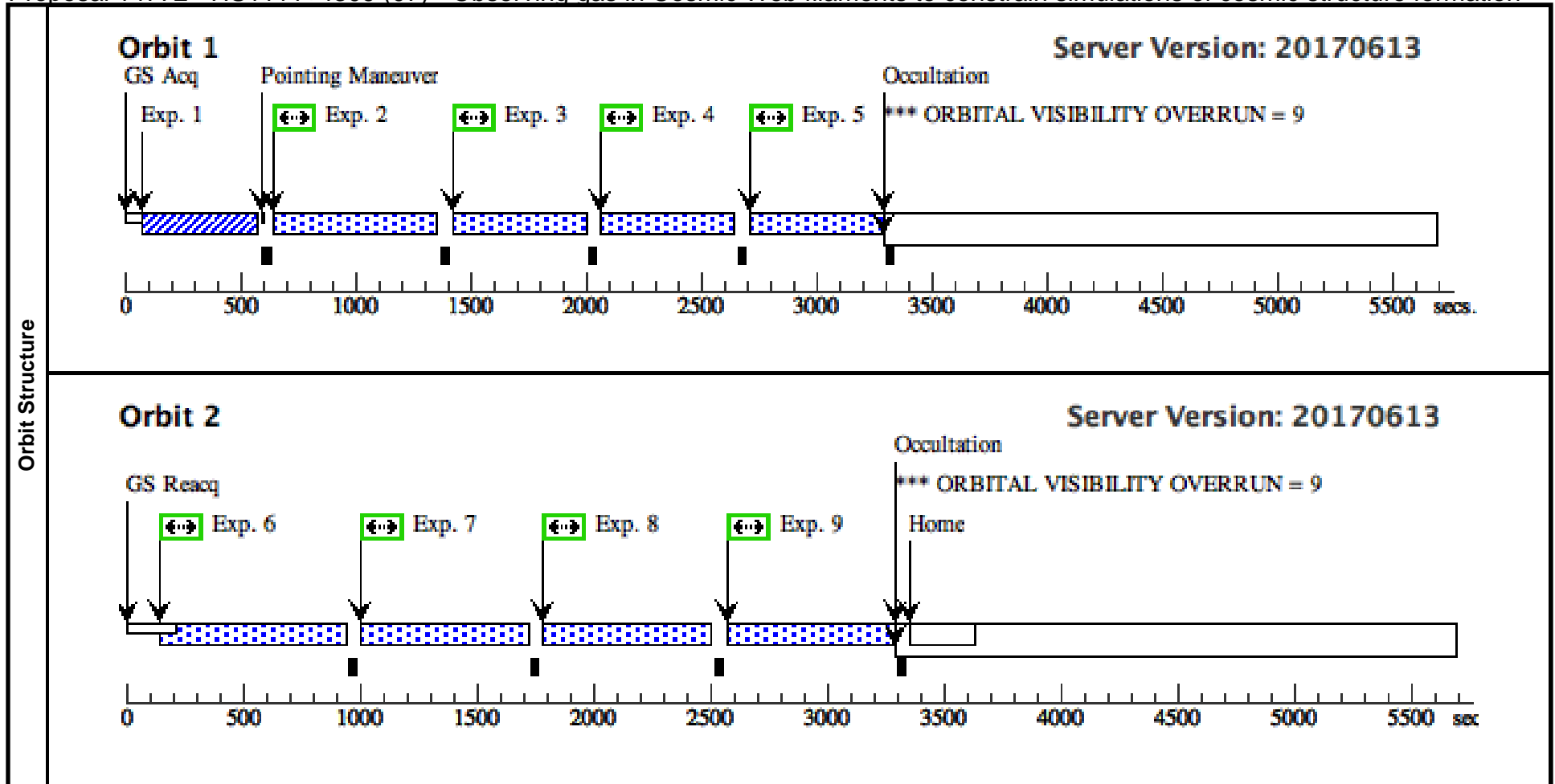
Proposal 14772 - HS1111+4309 (07) - Observing gas in Cosmic Web filaments to constrain simulations of cosmic structure formation

Mon Sep 18 21:01:50 GMT 2017

Visit	Proposal 14772, HS1111+4309 (07), completed Diagnostic Status: Error Scientific Instruments: COS/FUV, COS/NUV Special Requirements: (none)						
	Diagnostics	(HS1111+4309-1327.1 (07.002)) Error (Form): LIFETIME-POS is required with G130M when not in Supported mode. (HS1111+4309-1327.2 (07.003)) Error (Form): LIFETIME-POS is required with G130M when not in Supported mode. (HS1111+4309-1327.3 (07.004)) Error (Form): LIFETIME-POS is required with G130M when not in Supported mode. (HS1111+4309-1327.4 (07.005)) Error (Form): LIFETIME-POS is required with G130M when not in Supported mode. (HS1111+4309-1300.1 (07.006)) Error (Form): LIFETIME-POS is required with G130M when not in Supported mode. (HS1111+4309-1300.2 (07.007)) Error (Form): LIFETIME-POS is required with G130M when not in Supported mode. (HS1111+4309-1300.3 (07.008)) Error (Form): LIFETIME-POS is required with G130M when not in Supported mode. (HS1111+4309-1300.4 (07.009)) Error (Form): LIFETIME-POS is required with G130M when not in Supported mode. (HS1111+4309 (07)) Warning (Orbit Planner): ORBITAL VISIBILITY OVERRUN (HS1111+4309 (07)) Warning (Orbit Planner): ORBITAL VISIBILITY OVERRUN (HS1111+4309-1327.1 (07.002)) Warning (Form): Defaults for SEGMENT have changed in APT25.2 for use of LP4 with G130M. See full description for details. (HS1111+4309-1327.2 (07.003)) Warning (Form): Defaults for SEGMENT have changed in APT25.2 for use of LP4 with G130M. See full description for details. (HS1111+4309-1327.3 (07.004)) Warning (Form): Defaults for SEGMENT have changed in APT25.2 for use of LP4 with G130M. See full description for details. (HS1111+4309-1327.4 (07.005)) Warning (Form): Defaults for SEGMENT have changed in APT25.2 for use of LP4 with G130M. See full description for details. (HS1111+4309-1300.1 (07.006)) Warning (Form): Defaults for SEGMENT have changed in APT25.2 for use of LP4 with G130M. See full description for details. (HS1111+4309-1300.2 (07.007)) Warning (Form): Defaults for SEGMENT have changed in APT25.2 for use of LP4 with G130M. See full description for details. (HS1111+4309-1300.3 (07.008)) Warning (Form): Defaults for SEGMENT have changed in APT25.2 for use of LP4 with G130M. See full description for details. (HS1111+4309-1300.4 (07.009)) Warning (Form): Defaults for SEGMENT have changed in APT25.2 for use of LP4 with G130M. See full description for details.					
Fixed Targets		#	Name	Target Coordinates	Targ. Coord. Corrections	Fluxes	Miscellaneous
		(7)	HS1111+4309	RA: 11 13 57.3600 (168.4890000d) Dec: +42 53 26.30 (42.89064d) Equinox: J2000		V=16.90+/-0.1 F=0.26; z=0.442	Reference Frame: ICRS
		<i>Comments: Extended=NO</i>					

Proposal 14772 - HS1111+4309 (07) - Observing gas in Cosmic Web filaments to constrain simulations of cosmic structure formation

#	Label (ETC Run)	Target	Config,Mode,Aperture	Spectral Els.	Opt. Params.	Special Reqs.	Groups	Exp. Time (Total)/[Actual Dur.]	Orbit	
Exposures	1	HS1111+43 09-ACQ/IM AGE (COS.ta.823 585)	(7) HS1111+4309	COS/NUV, ACQ/IMAGE, PSA	MIRRORB			93 Secs (93 Secs) [==>]	[1]	
	<i>Comments: NUV acquisition exposure COS ETC result for S/N=40; GALEX M(NUV)=17.72 => texp=93 sec Count rate 897/sec</i>									
	2	HS1111+43 09-1327.1 (COS.sp.823 800)	(7) HS1111+4309	COS/FUV, TIME-TAG, PSA	G130M 1327 A	FP-POS=1; BUFFER-TIME=38 88			530 Secs (530 Secs) [==>]	[1]
	<i>Comments: Total on-source exposure time 0 sec; SN=10.3 id=COS.sp.823800</i>									
	3	HS1111+43 09-1327.2 (COS.sp.823 800)	(7) HS1111+4309	COS/FUV, TIME-TAG, PSA	G130M 1327 A	FP-POS=2; BUFFER-TIME=38 88			530 Secs (530 Secs) [==>]	[1]
	<i>Comments: Total on-source exposure time 0 sec; SN=10.3 id=COS.sp.823800</i>									
	4	HS1111+43 09-1327.3 (COS.sp.823 800)	(7) HS1111+4309	COS/FUV, TIME-TAG, PSA	G130M 1327 A	FP-POS=3; BUFFER-TIME=38 88			530 Secs (530 Secs) [==>]	[1]
	<i>Comments: Total on-source exposure time 0 sec; SN=10.3 id=COS.sp.823800</i>									
	5	HS1111+43 09-1327.4 (COS.sp.823 800)	(7) HS1111+4309	COS/FUV, TIME-TAG, PSA	G130M 1327 A	FP-POS=4; BUFFER-TIME=38 88			530 Secs (530 Secs) [==>]	[1]
<i>Comments: Total on-source exposure time 0 sec; SN=10.3 id=COS.sp.823800</i>										
6	HS1111+43 09-1300.1 (COS.sp.823 800)	(7) HS1111+4309	COS/FUV, TIME-TAG, PSA	G130M 1300 A	FP-POS=1; BUFFER-TIME=38 88			669 Secs (669 Secs) [==>]	[2]	
<i>Comments: Total on-source exposure time 0 sec; SN=10.3 id=COS.sp.823800</i>										
7	HS1111+43 09-1300.2 (COS.sp.823 800)	(7) HS1111+4309	COS/FUV, TIME-TAG, PSA	G130M 1300 A	FP-POS=2; BUFFER-TIME=38 88			669 Secs (669 Secs) [==>]	[2]	
<i>Comments: Total on-source exposure time 0 sec; SN=10.3 id=COS.sp.823800</i>										
8	HS1111+43 09-1300.3 (COS.sp.823 800)	(7) HS1111+4309	COS/FUV, TIME-TAG, PSA	G130M 1300 A	FP-POS=3; BUFFER-TIME=38 88			669 Secs (669 Secs) [==>]	[2]	
<i>Comments: Total on-source exposure time 0 sec; SN=10.3 id=COS.sp.823800</i>										
9	HS1111+43 09-1300.4 (COS.sp.823 800)	(7) HS1111+4309	COS/FUV, TIME-TAG, PSA	G130M 1300 A	FP-POS=4; BUFFER-TIME=38 88			669 Secs (669 Secs) [==>]	[2]	
<i>Comments: Total on-source exposure time 0 sec; SN=10.3 id=COS.sp.823800</i>										



Proposal 14772 - KUG1143+307 (08) - Observing gas in Cosmic Web filaments to constrain simulations of cosmic structure formation

Mon Sep 18 21:01:50 GMT 2017

Visit	Proposal 14772, KUG1143+307 (08), implementation Diagnostic Status: Warning Scientific Instruments: COS/FUV, COS/NUV Special Requirements: ORIENT 340D TO 20 D; ORIENT 160D TO 200 D					
	(KUG1143+307 (08)) Warning (Orbit Planner): ORBITAL VISIBILITY OVERRUN (KUG1143+307 (08)) Warning (Orbit Planner): ORBITAL VISIBILITY OVERRUN					
Diagnosics						
Fixed Targets	#	Name	Target Coordinates	Targ. Coord. Corrections	Fluxes	Miscellaneous
	(8)	KUG1143+307	RA: 11 46 21.7000 (176.5904167d) Dec: +30 29 37.00 (30.49361d) Equinox: J2000		V=16.00+/-0.1 F=0.29; z=0.040	Reference Frame: ICRS
<i>Comments: Extended=NO</i>						

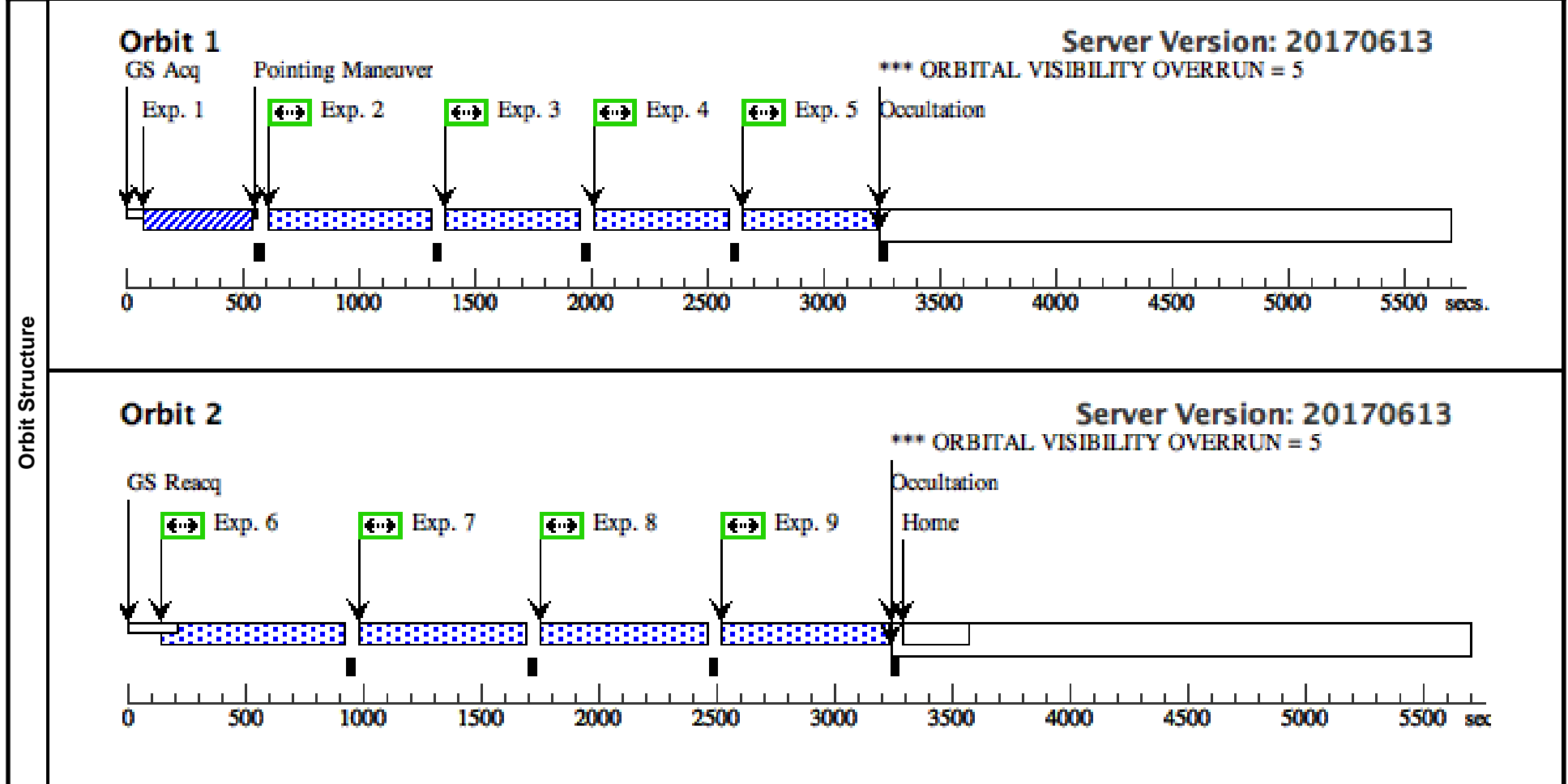
Proposal 14772 - KUG1143+307 (08) - Observing gas in Cosmic Web filaments to constrain simulations of cosmic structure formation

#	Label (ETC Run)	Target	Config,Mode,Aperture	Spectral Els.	Opt. Params.	Special Reqs.	Groups	Exp. Time (Total)/[Actual Dur.]	Orbit	
Exposures	1	KUG1143+307-ACQ/I MAGE (COS.ta.823 586)	(8) KUG1143+307	COS/NUV, ACQ/IMAGE, PSA	MIRRORB			75 Secs (75 Secs) [==>]	[1]	
	<i>Comments: NUV acquisition exposure COS ETC result for S/N=40; GALEX M(NUV)=17.48 => texp=75 sec Count rate 904/sec</i>									
	2	KUG1143+307-1327.1 (COS.sp.823 801)	(8) KUG1143+307	COS/FUV, TIME-TAG, PSA	G130M 1327 A	FP-POS=1; BUFFER-TIME=37 96; LIFETIME-POS=L P3			523 Secs (523 Secs) [==>]	[1]
	<i>Comments: Total on-source exposure time 0 sec; SN=10.7 id=COS.sp.823801</i>									
	3	KUG1143+307-1327.2 (COS.sp.823 801)	(8) KUG1143+307	COS/FUV, TIME-TAG, PSA	G130M 1327 A	FP-POS=2; BUFFER-TIME=37 96; LIFETIME-POS=L P3			523 Secs (523 Secs) [==>]	[1]
	<i>Comments: Total on-source exposure time 0 sec; SN=10.7 id=COS.sp.823801</i>									
	4	KUG1143+307-1327.3 (COS.sp.823 801)	(8) KUG1143+307	COS/FUV, TIME-TAG, PSA	G130M 1327 A	FP-POS=3; BUFFER-TIME=37 96; LIFETIME-POS=L P3			523 Secs (523 Secs) [==>]	[1]
	<i>Comments: Total on-source exposure time 0 sec; SN=10.7 id=COS.sp.823801</i>									
5	KUG1143+307-1327.4 (COS.sp.823 801)	(8) KUG1143+307	COS/FUV, TIME-TAG, PSA	G130M 1327 A	FP-POS=4; BUFFER-TIME=37 96; LIFETIME-POS=L P3			525 Secs (525 Secs) [==>]	[1]	
<i>Comments: Total on-source exposure time 0 sec; SN=10.7 id=COS.sp.823801</i>										
6	KUG1143+307-1300.1 (COS.sp.823 801)	(8) KUG1143+307	COS/FUV, TIME-TAG, PSA	G130M 1300 A	FP-POS=1; BUFFER-TIME=37 96; LIFETIME-POS=L P3			653 Secs (653 Secs) [==>]	[2]	
<i>Comments: Total on-source exposure time 0 sec; SN=10.7 id=COS.sp.823801</i>										
7	KUG1143+307-1300.2 (COS.sp.823 801)	(8) KUG1143+307	COS/FUV, TIME-TAG, PSA	G130M 1300 A	FP-POS=2; BUFFER-TIME=37 96; LIFETIME-POS=L P3			653 Secs (653 Secs) [==>]	[2]	
<i>Comments: Total on-source exposure time 0 sec; SN=10.7 id=COS.sp.823801</i>										
8	KUG1143+307-1300.3 (COS.sp.823 801)	(8) KUG1143+307	COS/FUV, TIME-TAG, PSA	G130M 1300 A	FP-POS=3; BUFFER-TIME=37 96; LIFETIME-POS=L P3			653 Secs (653 Secs) [==>]	[2]	
<i>Comments: Total on-source exposure time 0 sec; SN=10.7 id=COS.sp.823801</i>										

Proposal 14772 - KUG1143+307 (08) - Observing gas in Cosmic Web filaments to constrain simulations of cosmic structure formation

9	KUG1143+307-1300.4 (COS.sp.823 801)	(8) KUG1143+307	COS/FUV, TIME-TAG, PSA	G130M 1300 A	FP-POS=4; BUFFER-TIME=37 96; LIFETIME-POS=L P3	655 Secs (655 Secs) [==>]	[2]
---	-------------------------------------	-----------------	------------------------	-----------------	--	------------------------------	-----

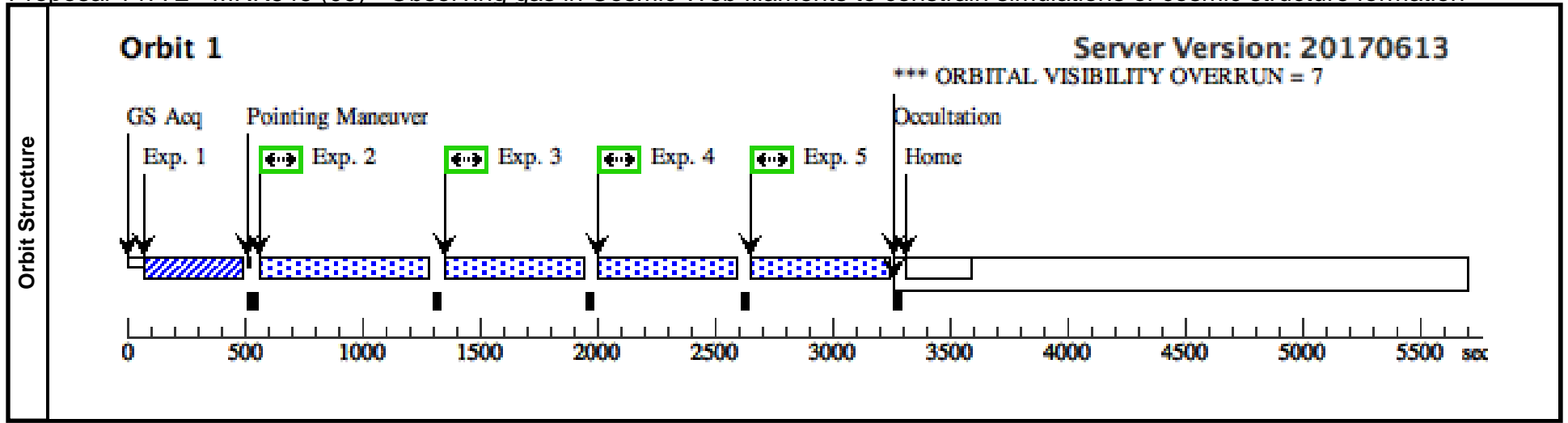
Comments: Total on-source exposure time 0 sec; SN=10.7 id=COS.sp.823801



Proposal 14772 - MRK646 (09) - Observing gas in Cosmic Web filaments to constrain simulations of cosmic structure formation

Mon Sep 18 21:01:50 GMT 2017

Visit	Proposal 14772, MRK646 (09), completed Diagnostic Status: Error Scientific Instruments: COS/FUV, COS/NUV Special Requirements: (none)									
Diagnostics	(MRK646-1327.1 (09.002)) Error (Form): LIFETIME-POS is required with G130M when not in Supported mode. (MRK646-1327.2 (09.003)) Error (Form): LIFETIME-POS is required with G130M when not in Supported mode. (MRK646-1327.3 (09.004)) Error (Form): LIFETIME-POS is required with G130M when not in Supported mode. (MRK646-1327.4 (09.005)) Error (Form): LIFETIME-POS is required with G130M when not in Supported mode. (MRK646 (09)) Warning (Orbit Planner): ORBITAL VISIBILITY OVERRUN (MRK646-1327.1 (09.002)) Warning (Form): Defaults for SEGMENT have changed in APT25.2 for use of LP4 with G130M. See full description for details. (MRK646-1327.2 (09.003)) Warning (Form): Defaults for SEGMENT have changed in APT25.2 for use of LP4 with G130M. See full description for details. (MRK646-1327.3 (09.004)) Warning (Form): Defaults for SEGMENT have changed in APT25.2 for use of LP4 with G130M. See full description for details. (MRK646-1327.4 (09.005)) Warning (Form): Defaults for SEGMENT have changed in APT25.2 for use of LP4 with G130M. See full description for details.									
Fixed Targets	#	Name	Target Coordinates	Targ. Coord. Corrections	Fluxes	Miscellaneous				
	(9)	MRK646	RA: 12 05 49.7000 (181.4570833d) Dec: +35 10 46.00 (35.17944d) Equinox: J2000		V=15.28+/-0.1 F=0.46; z=0.054	Reference Frame: ICRS				
	<i>Comments: Extended=NO</i>									
Exposures	#	Label (ETC Run)	Target	Config,Mode,Aperture	Spectral Els.	Opt. Params.	Special Reqs.	Groups	Exp. Time (Total)/[Actual Dur.]	Orbit
	1	MRK646-A CQ/IMAGE (COS.ta.823 590)	(9) MRK646	COS/NUV, ACQ/IMAGE, PSA	MIRRORB				54 Secs (54 Secs) [==>]	[1]
	<i>Comments: NUV acquisition exposure COS ETC result for S/N=40; GALEX M(NUV)=17.13 => texp=54 sec Count rate 915/sec</i>									
	2	MRK646-13 27.1 (COS.sp.823 802)	(9) MRK646	COS/FUV, TIME-TAG, PSA	G130M 1327 A	FP-POS=1; BUFFER-TIME=33 46			539 Secs (539 Secs) [==>]	[1]
	<i>Comments: Total on-source exposure time 0 sec; SN=9.2 id=COS.sp.823802</i>									
	3	MRK646-13 27.2 (COS.sp.823 802)	(9) MRK646	COS/FUV, TIME-TAG, PSA	G130M 1327 A	FP-POS=2; BUFFER-TIME=33 46			539 Secs (539 Secs) [==>]	[1]
	<i>Comments: Total on-source exposure time 0 sec; SN=9.2 id=COS.sp.823802</i>									
	4	MRK646-13 27.3 (COS.sp.823 802)	(9) MRK646	COS/FUV, TIME-TAG, PSA	G130M 1327 A	FP-POS=3; BUFFER-TIME=33 46			539 Secs (539 Secs) [==>]	[1]
	<i>Comments: Total on-source exposure time 0 sec; SN=9.2 id=COS.sp.823802</i>									
	5	MRK646-13 27.4 (COS.sp.823 802)	(9) MRK646	COS/FUV, TIME-TAG, PSA	G130M 1327 A	FP-POS=4; BUFFER-TIME=33 46			541 Secs (541 Secs) [==>]	[1]
	<i>Comments: Total on-source exposure time 0 sec; SN=9.2 id=COS.sp.823802</i>									



Proposal 14772 - MRK1269 (10) - Observing gas in Cosmic Web filaments to constrain simulations of cosmic structure formation

Visit	Proposal 14772, MRK1269 (10), implementation Mon Sep 18 21:01:50 GMT 2017 Diagnostic Status: Warning Scientific Instruments: COS/FUV, COS/NUV Special Requirements: (none)																
	Diagnosics (MRK1269 (10)) Warning (Orbit Planner): ORBITAL VISIBILITY OVERRUN (MRK1269 (10)) Warning (Orbit Planner): ORBITAL VISIBILITY OVERRUN																
Fixed Targets	<table border="1" style="width: 100%; border-collapse: collapse;"> <thead> <tr> <th style="width: 5%;">#</th> <th style="width: 20%;">Name</th> <th style="width: 30%;">Target Coordinates</th> <th style="width: 20%;">Targ. Coord. Corrections</th> <th style="width: 15%;">Fluxes</th> <th style="width: 10%;">Miscellaneous</th> </tr> </thead> <tbody> <tr> <td>(10)</td> <td>MRK1269</td> <td>RA: 10 55 19.5400 (163.8314167d) Dec: +40 27 17.50 (40.45486d) Equinox: J2000</td> <td></td> <td>V=17.56+/-0.1 F=0.25; z=0.120</td> <td>Reference Frame: ICRS</td> </tr> </tbody> </table>					#	Name	Target Coordinates	Targ. Coord. Corrections	Fluxes	Miscellaneous	(10)	MRK1269	RA: 10 55 19.5400 (163.8314167d) Dec: +40 27 17.50 (40.45486d) Equinox: J2000		V=17.56+/-0.1 F=0.25; z=0.120	Reference Frame: ICRS
	#	Name	Target Coordinates	Targ. Coord. Corrections	Fluxes	Miscellaneous											
(10)	MRK1269	RA: 10 55 19.5400 (163.8314167d) Dec: +40 27 17.50 (40.45486d) Equinox: J2000		V=17.56+/-0.1 F=0.25; z=0.120	Reference Frame: ICRS												
Comments: Extended=NO																	

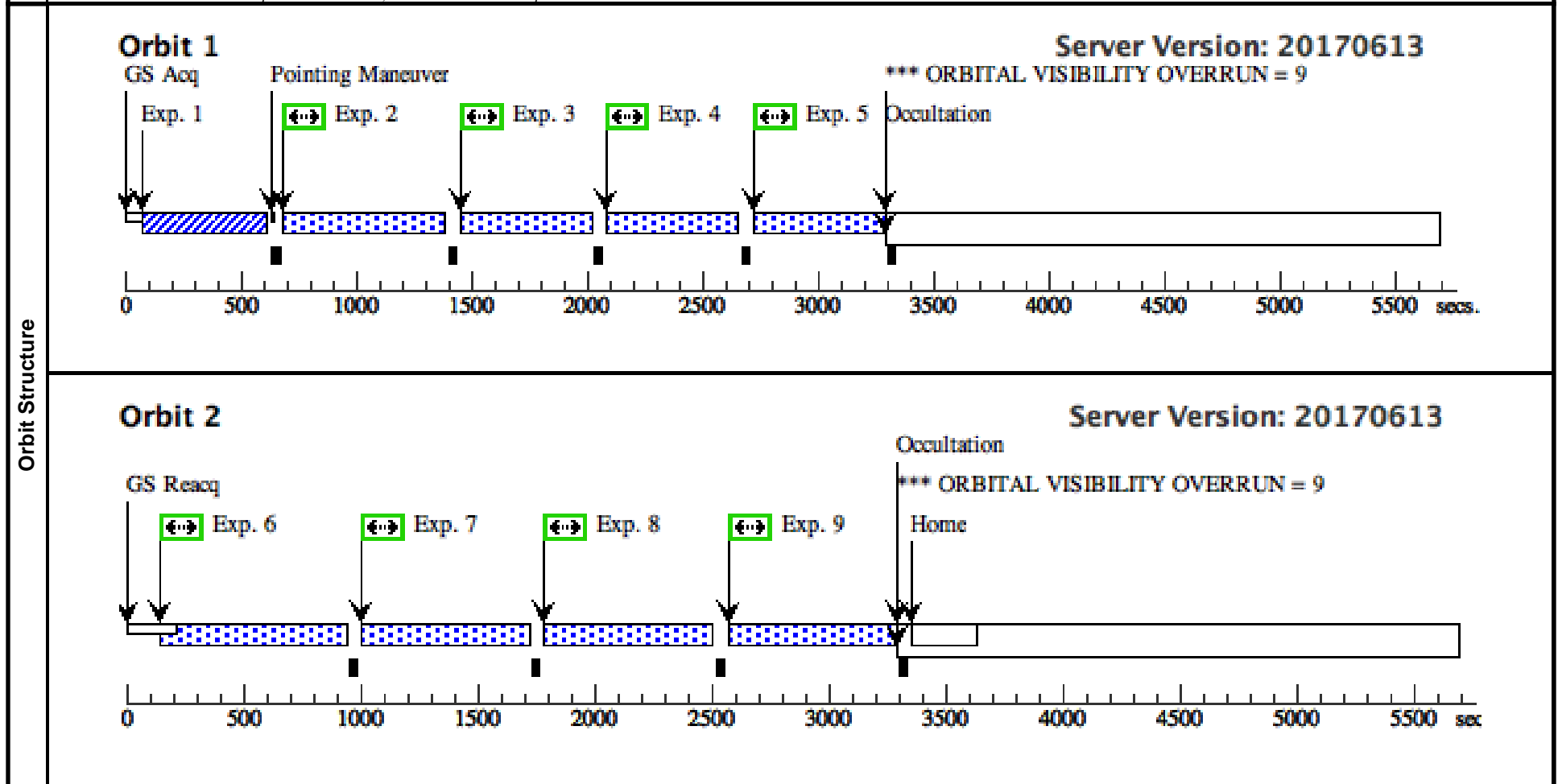
Proposal 14772 - MRK1269 (10) - Observing gas in Cosmic Web filaments to constrain simulations of cosmic structure formation

#	Label (ETC Run)	Target	Config,Mode,Aperture	Spectral Els.	Opt. Params.	Special Reqs.	Groups	Exp. Time (Total)/[Actual Dur.]	Orbit	
Exposures	1	MRK1269- ACQ/IMAG E (COS.ta.823 624)	(10) MRK1269	COS/NUV, ACQ/IMAGE, PSA	MIRRORB			113 Secs (113 Secs) [==>]	[1]	
	<i>Comments: NUV acquisition exposure COS ETC result for S/N=40; GALEX M(NUV)=17.93 => texp=113 sec Count rate 893/sec</i>									
	2	MRK1269-1 327.1 (COS.sp.823 803)	(10) MRK1269	COS/FUV, TIME-TAG, PSA	G130M 1327 A	FP-POS=1; BUFFER-TIME=39 19; LIFETIME-POS=L P3			520 Secs (520 Secs) [==>]	[1]
	<i>Comments: Total on-source exposure time 0 sec; SN=10.0 id=COS.sp.823803</i>									
	3	MRK1269-1 327.2 (COS.sp.823 803)	(10) MRK1269	COS/FUV, TIME-TAG, PSA	G130M 1327 A	FP-POS=2; BUFFER-TIME=39 19; LIFETIME-POS=L P3			520 Secs (520 Secs) [==>]	[1]
	<i>Comments: Total on-source exposure time 0 sec; SN=10.0 id=COS.sp.823803</i>									
	4	MRK1269-1 327.3 (COS.sp.823 803)	(10) MRK1269	COS/FUV, TIME-TAG, PSA	G130M 1327 A	FP-POS=3; BUFFER-TIME=39 19; LIFETIME-POS=L P3			520 Secs (520 Secs) [==>]	[1]
	<i>Comments: Total on-source exposure time 0 sec; SN=10.0 id=COS.sp.823803</i>									
5	MRK1269-1 327.4 (COS.sp.823 803)	(10) MRK1269	COS/FUV, TIME-TAG, PSA	G130M 1327 A	FP-POS=4; BUFFER-TIME=39 19; LIFETIME-POS=L P3			520 Secs (520 Secs) [==>]	[1]	
<i>Comments: Total on-source exposure time 0 sec; SN=10.0 id=COS.sp.823803</i>										
6	MRK1269-1 300.1 (COS.sp.823 803)	(10) MRK1269	COS/FUV, TIME-TAG, PSA	G130M 1300 A	FP-POS=1; BUFFER-TIME=39 19; LIFETIME-POS=L P3			669 Secs (669 Secs) [==>]	[2]	
<i>Comments: Total on-source exposure time 0 sec; SN=10.0 id=COS.sp.823803</i>										
7	MRK1269-1 300.2 (COS.sp.823 803)	(10) MRK1269	COS/FUV, TIME-TAG, PSA	G130M 1300 A	FP-POS=2; BUFFER-TIME=39 19; LIFETIME-POS=L P3			669 Secs (669 Secs) [==>]	[2]	
<i>Comments: Total on-source exposure time 0 sec; SN=10.0 id=COS.sp.823803</i>										
8	MRK1269-1 300.3 (COS.sp.823 803)	(10) MRK1269	COS/FUV, TIME-TAG, PSA	G130M 1300 A	FP-POS=3; BUFFER-TIME=39 19; LIFETIME-POS=L P3			669 Secs (669 Secs) [==>]	[2]	
<i>Comments: Total on-source exposure time 0 sec; SN=10.0 id=COS.sp.823803</i>										

Proposal 14772 - MRK1269 (10) - Observing gas in Cosmic Web filaments to constrain simulations of cosmic structure formation

9	MRK1269-1 (10) MRK1269 300.4 (COS.sp.823 803)	COS/FUV, TIME-TAG, PSA	G130M 1300 A	FP-POS=4; BUFFER-TIME=39 19; LIFETIME-POS=L P3	669 Secs (669 Secs) [==>]	[2]
---	--	------------------------	-----------------	--	------------------------------	-----

Comments: Total on-source exposure time 0 sec; SN=10.0 id=COS.sp.823803



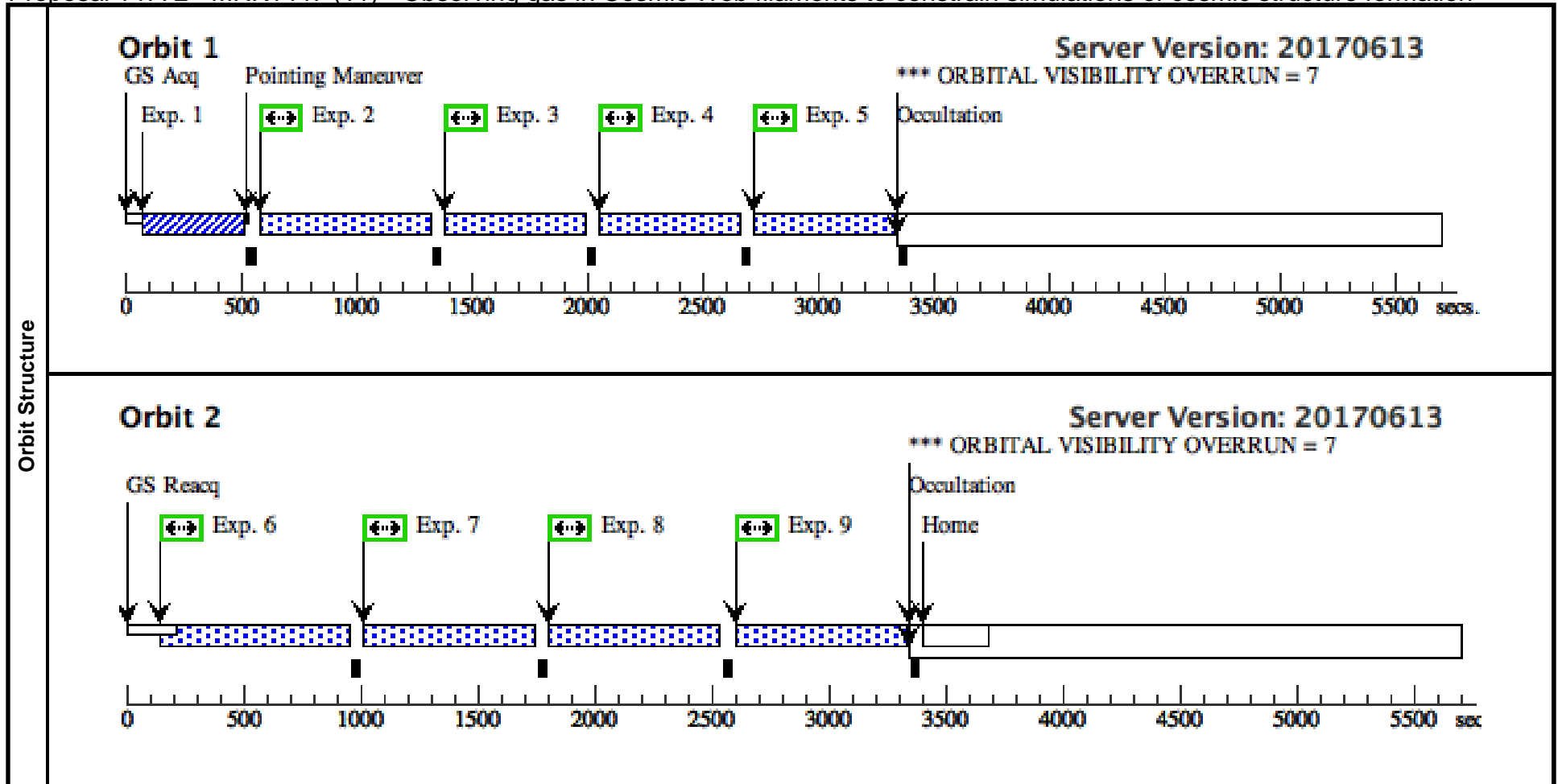
Proposal 14772 - MRK1447 (11) - Observing gas in Cosmic Web filaments to constrain simulations of cosmic structure formation

Mon Sep 18 21:01:50 GMT 2017

Visit	<p>Proposal 14772, MRK1447 (11), completed</p> <p>Diagnostic Status: Error</p> <p>Scientific Instruments: COS/FUV, COS/NUV</p> <p>Special Requirements: (none)</p>																			
	Diagnostics	<p>(MRK1447-1327.1 (11.002)) Error (Form): LIFETIME-POS is required with G130M when not in Supported mode.</p> <p>(MRK1447-1327.2 (11.003)) Error (Form): LIFETIME-POS is required with G130M when not in Supported mode.</p> <p>(MRK1447-1327.3 (11.004)) Error (Form): LIFETIME-POS is required with G130M when not in Supported mode.</p> <p>(MRK1447-1327.4 (11.005)) Error (Form): LIFETIME-POS is required with G130M when not in Supported mode.</p> <p>(MRK1447-1300.1 (11.006)) Error (Form): LIFETIME-POS is required with G130M when not in Supported mode.</p> <p>(MRK1447-1300.2 (11.007)) Error (Form): LIFETIME-POS is required with G130M when not in Supported mode.</p> <p>(MRK1447-1300.3 (11.008)) Error (Form): LIFETIME-POS is required with G130M when not in Supported mode.</p> <p>(MRK1447-1300.4 (11.009)) Error (Form): LIFETIME-POS is required with G130M when not in Supported mode.</p> <p>(MRK1447 (11)) Warning (Orbit Planner): ORBITAL VISIBILITY OVERRUN</p> <p>(MRK1447 (11)) Warning (Orbit Planner): ORBITAL VISIBILITY OVERRUN</p> <p>(MRK1447-1327.1 (11.002)) Warning (Form): Defaults for SEGMENT have changed in APT25.2 for use of LP4 with G130M. See full description for details.</p> <p>(MRK1447-1327.2 (11.003)) Warning (Form): Defaults for SEGMENT have changed in APT25.2 for use of LP4 with G130M. See full description for details.</p> <p>(MRK1447-1327.3 (11.004)) Warning (Form): Defaults for SEGMENT have changed in APT25.2 for use of LP4 with G130M. See full description for details.</p> <p>(MRK1447-1327.4 (11.005)) Warning (Form): Defaults for SEGMENT have changed in APT25.2 for use of LP4 with G130M. See full description for details.</p> <p>(MRK1447-1300.1 (11.006)) Warning (Form): Defaults for SEGMENT have changed in APT25.2 for use of LP4 with G130M. See full description for details.</p> <p>(MRK1447-1300.2 (11.007)) Warning (Form): Defaults for SEGMENT have changed in APT25.2 for use of LP4 with G130M. See full description for details.</p> <p>(MRK1447-1300.3 (11.008)) Warning (Form): Defaults for SEGMENT have changed in APT25.2 for use of LP4 with G130M. See full description for details.</p> <p>(MRK1447-1300.4 (11.009)) Warning (Form): Defaults for SEGMENT have changed in APT25.2 for use of LP4 with G130M. See full description for details.</p>																		
Fixed Targets		<table border="1"> <thead> <tr> <th>#</th> <th>Name</th> <th>Target Coordinates</th> <th>Targ. Coord. Corrections</th> <th>Fluxes</th> <th>Miscellaneous</th> </tr> </thead> <tbody> <tr> <td>(11)</td> <td>MRK1447</td> <td>RA: 11 30 29.1300 (172.6213750d) Dec: +49 34 57.80 (49.58272d) Equinox: J2000</td> <td></td> <td>V=16.99+/-0.1 F=0.35; z=0.096</td> <td>Reference Frame: ICRS</td> </tr> <tr> <td colspan="6"><i>Comments: Extended=NO</i></td> </tr> </tbody> </table>	#	Name	Target Coordinates	Targ. Coord. Corrections	Fluxes	Miscellaneous	(11)	MRK1447	RA: 11 30 29.1300 (172.6213750d) Dec: +49 34 57.80 (49.58272d) Equinox: J2000		V=16.99+/-0.1 F=0.35; z=0.096	Reference Frame: ICRS	<i>Comments: Extended=NO</i>					
	#	Name	Target Coordinates	Targ. Coord. Corrections	Fluxes	Miscellaneous														
(11)	MRK1447	RA: 11 30 29.1300 (172.6213750d) Dec: +49 34 57.80 (49.58272d) Equinox: J2000		V=16.99+/-0.1 F=0.35; z=0.096	Reference Frame: ICRS															
<i>Comments: Extended=NO</i>																				

Proposal 14772 - MRK1447 (11) - Observing gas in Cosmic Web filaments to constrain simulations of cosmic structure formation

#	Label (ETC Run)	Target	Config,Mode,Aperture	Spectral Els.	Opt. Params.	Special Reqs.	Groups	Exp. Time (Total)/[Actual Dur.]	Orbit	
Exposures	1	MRK1447- ACQ/IMAG E (COS.ta.823 589)	(11) MRK1447	COS/NUV, ACQ/IMAGE, PSA	MIRRORB			60 Secs (60 Secs) [==>]	[1]	
	<i>Comments: NUV acquisition exposure COS ETC result for S/N=40; GALEX M(NUV)=17.39 => texp=60 sec Count rate 906/sec</i>									
	2	MRK1447-1 327.1 (COS.sp.823 804)	(11) MRK1447	COS/FUV, TIME-TAG, PSA	G130M 1327 A	FP-POS=1; BUFFER-TIME=36 24			557 Secs (557 Secs) [==>]	[1]
	<i>Comments: Total on-source exposure time 0 sec; SN=12.1 id=COS.sp.823804</i>									
	3	MRK1447-1 327.2 (COS.sp.823 804)	(11) MRK1447	COS/FUV, TIME-TAG, PSA	G130M 1327 A	FP-POS=2; BUFFER-TIME=36 24			557 Secs (557 Secs) [==>]	[1]
	<i>Comments: Total on-source exposure time 0 sec; SN=12.1 id=COS.sp.823804</i>									
	4	MRK1447-1 327.3 (COS.sp.823 804)	(11) MRK1447	COS/FUV, TIME-TAG, PSA	G130M 1327 A	FP-POS=3; BUFFER-TIME=36 24			557 Secs (557 Secs) [==>]	[1]
	<i>Comments: Total on-source exposure time 0 sec; SN=12.1 id=COS.sp.823804</i>									
	5	MRK1447-1 327.4 (COS.sp.823 804)	(11) MRK1447	COS/FUV, TIME-TAG, PSA	G130M 1327 A	FP-POS=4; BUFFER-TIME=36 24			560 Secs (560 Secs) [==>]	[1]
<i>Comments: Total on-source exposure time 0 sec; SN=12.1 id=COS.sp.823804</i>										
6	MRK1447-1 300.1 (COS.sp.823 804)	(11) MRK1447	COS/FUV, TIME-TAG, PSA	G130M 1300 A	FP-POS=1; BUFFER-TIME=36 24			680 Secs (680 Secs) [==>]	[2]	
<i>Comments: Total on-source exposure time 0 sec; SN=12.1 id=COS.sp.823804</i>										
7	MRK1447-1 300.2 (COS.sp.823 804)	(11) MRK1447	COS/FUV, TIME-TAG, PSA	G130M 1300 A	FP-POS=2; BUFFER-TIME=36 24			680 Secs (680 Secs) [==>]	[2]	
<i>Comments: Total on-source exposure time 0 sec; SN=12.1 id=COS.sp.823804</i>										
8	MRK1447-1 300.3 (COS.sp.823 804)	(11) MRK1447	COS/FUV, TIME-TAG, PSA	G130M 1300 A	FP-POS=3; BUFFER-TIME=36 24			680 Secs (680 Secs) [==>]	[2]	
<i>Comments: Total on-source exposure time 0 sec; SN=12.1 id=COS.sp.823804</i>										
9	MRK1447-1 300.4 (COS.sp.823 804)	(11) MRK1447	COS/FUV, TIME-TAG, PSA	G130M 1300 A	FP-POS=4; BUFFER-TIME=36 24			681 Secs (681 Secs) [==>]	[2]	
<i>Comments: Total on-source exposure time 0 sec; SN=12.1 id=COS.sp.823804</i>										



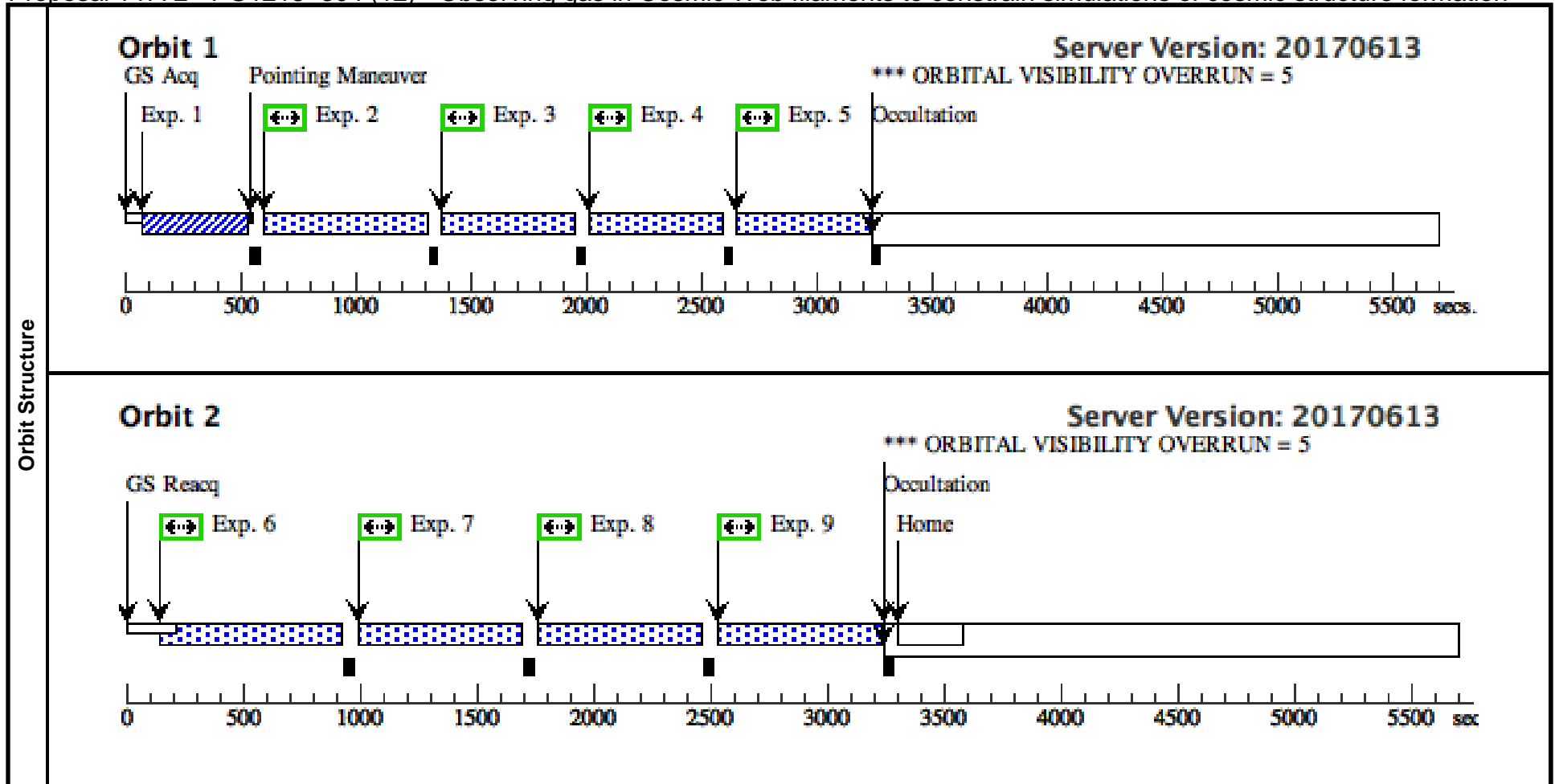
Proposal 14772 - PG1218+304 (12) - Observing gas in Cosmic Web filaments to constrain simulations of cosmic structure formation

Mon Sep 18 21:01:50 GMT 2017

Visit	Proposal 14772, PG1218+304 (12), completed Diagnostic Status: Error Scientific Instruments: COS/FUV, COS/NUV Special Requirements: (none)						
	Diagnostics	(PG1218+304-1327.1 (12.002)) Error (Form): LIFETIME-POS is required with G130M when not in Supported mode. (PG1218+304-1327.2 (12.003)) Error (Form): LIFETIME-POS is required with G130M when not in Supported mode. (PG1218+304-1327.3 (12.004)) Error (Form): LIFETIME-POS is required with G130M when not in Supported mode. (PG1218+304-1327.4 (12.005)) Error (Form): LIFETIME-POS is required with G130M when not in Supported mode. (PG1218+304-1300.1 (12.006)) Error (Form): LIFETIME-POS is required with G130M when not in Supported mode. (PG1218+304-1300.2 (12.007)) Error (Form): LIFETIME-POS is required with G130M when not in Supported mode. (PG1218+304-1300.3 (12.008)) Error (Form): LIFETIME-POS is required with G130M when not in Supported mode. (PG1218+304-1300.4 (12.009)) Error (Form): LIFETIME-POS is required with G130M when not in Supported mode. (PG1218+304 (12)) Warning (Orbit Planner): ORBITAL VISIBILITY OVERRUN (PG1218+304 (12)) Warning (Orbit Planner): ORBITAL VISIBILITY OVERRUN (PG1218+304-1327.1 (12.002)) Warning (Form): Defaults for SEGMENT have changed in APT25.2 for use of LP4 with G130M. See full description for details. (PG1218+304-1327.2 (12.003)) Warning (Form): Defaults for SEGMENT have changed in APT25.2 for use of LP4 with G130M. See full description for details. (PG1218+304-1327.3 (12.004)) Warning (Form): Defaults for SEGMENT have changed in APT25.2 for use of LP4 with G130M. See full description for details. (PG1218+304-1327.4 (12.005)) Warning (Form): Defaults for SEGMENT have changed in APT25.2 for use of LP4 with G130M. See full description for details. (PG1218+304-1300.1 (12.006)) Warning (Form): Defaults for SEGMENT have changed in APT25.2 for use of LP4 with G130M. See full description for details. (PG1218+304-1300.2 (12.007)) Warning (Form): Defaults for SEGMENT have changed in APT25.2 for use of LP4 with G130M. See full description for details. (PG1218+304-1300.3 (12.008)) Warning (Form): Defaults for SEGMENT have changed in APT25.2 for use of LP4 with G130M. See full description for details. (PG1218+304-1300.4 (12.009)) Warning (Form): Defaults for SEGMENT have changed in APT25.2 for use of LP4 with G130M. See full description for details.					
Fixed Targets		#	Name	Target Coordinates	Targ. Coord. Corrections	Fluxes	Miscellaneous
		(12)	PG1218+304	RA: 12 21 21.9400 (185.3414167d) Dec: +30 10 37.10 (30.17697d) Equinox: J2000		V=15.85+/-0.1 F=0.71; z=0.182	Reference Frame: ICRS
		<i>Comments: Extended=NO</i>					

Proposal 14772 - PG1218+304 (12) - Observing gas in Cosmic Web filaments to constrain simulations of cosmic structure formation

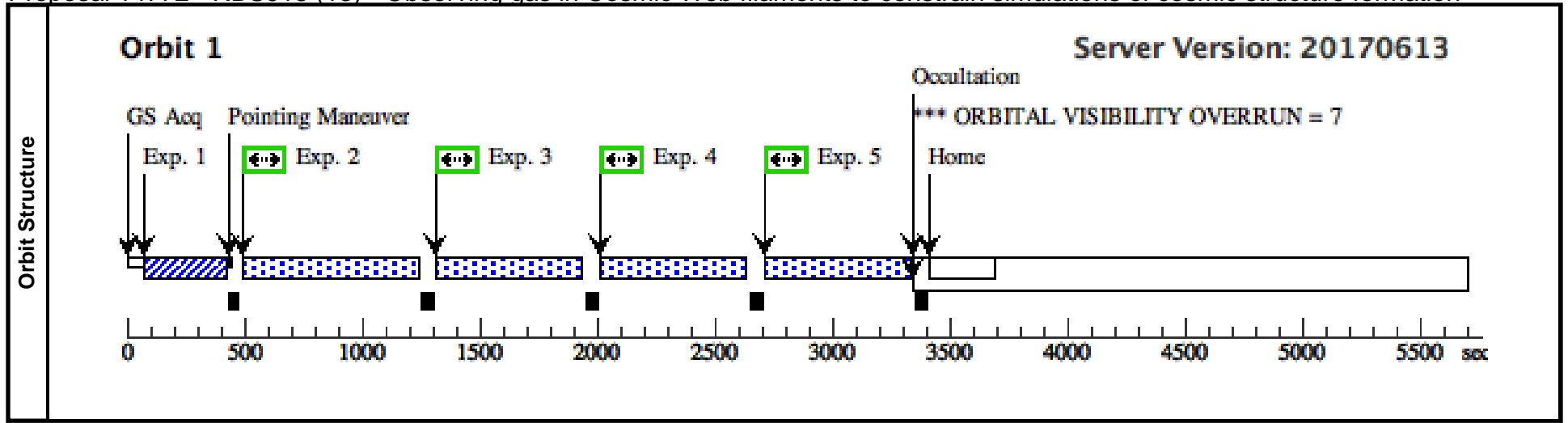
#	Label (ETC Run)	Target	Config,Mode,Aperture	Spectral Els.	Opt. Params.	Special Reqs.	Groups	Exp. Time (Total)/[Actual Dur.]	Orbit	
Exposures	1	PG1218+30 4-ACQ/IMA GE (COS.ta.823 591)	(12) PG1218+304	COS/NUV, ACQ/IMAGE, PSA	MIRRORB			72 Secs (72 Secs) [==>]	[1]	
	<i>Comments: NUV acquisition exposure COS ETC result for S/N=40; GALEX M(NUV)=17.44 => texp=72 sec Count rate 905/sec</i>									
	2	PG1218+30 4-1327.1 (COS.sp.823 805)	(12) PG1218+304	COS/FUV, TIME-TAG, PSA	G130M 1327 A	FP-POS=1; BUFFER-TIME=28 51		525 Secs (525 Secs) [==>]	[1]	
	<i>Comments: Total on-source exposure time 0 sec; SN=11.3 id=COS.sp.823805</i>									
	3	PG1218+30 4-1327.2 (COS.sp.823 805)	(12) PG1218+304	COS/FUV, TIME-TAG, PSA	G130M 1327 A	FP-POS=2; BUFFER-TIME=28 51		525 Secs (525 Secs) [==>]	[1]	
	<i>Comments: Total on-source exposure time 0 sec; SN=11.3 id=COS.sp.823805</i>									
	4	PG1218+30 4-1327.3 (COS.sp.823 805)	(12) PG1218+304	COS/FUV, TIME-TAG, PSA	G130M 1327 A	FP-POS=3; BUFFER-TIME=28 51		525 Secs (525 Secs) [==>]	[1]	
	<i>Comments: Total on-source exposure time 0 sec; SN=11.3 id=COS.sp.823805</i>									
	5	PG1218+30 4-1327.4 (COS.sp.823 805)	(12) PG1218+304	COS/FUV, TIME-TAG, PSA	G130M 1327 A	FP-POS=4; BUFFER-TIME=28 51		525 Secs (525 Secs) [==>]	[1]	
<i>Comments: Total on-source exposure time 0 sec; SN=11.3 id=COS.sp.823805</i>										
6	PG1218+30 4-1300.1 (COS.sp.823 805)	(12) PG1218+304	COS/FUV, TIME-TAG, PSA	G130M 1300 A	FP-POS=1; BUFFER-TIME=28 51		647 Secs (647 Secs) [==>]	[2]		
<i>Comments: Total on-source exposure time 0 sec; SN=11.3 id=COS.sp.823805</i>										
7	PG1218+30 4-1300.2 (COS.sp.823 805)	(12) PG1218+304	COS/FUV, TIME-TAG, PSA	G130M 1300 A	FP-POS=2; BUFFER-TIME=28 51		647 Secs (647 Secs) [==>]	[2]		
<i>Comments: Total on-source exposure time 0 sec; SN=11.3 id=COS.sp.823805</i>										
8	PG1218+30 4-1300.3 (COS.sp.823 805)	(12) PG1218+304	COS/FUV, TIME-TAG, PSA	G130M 1300 A	FP-POS=3; BUFFER-TIME=28 51		647 Secs (647 Secs) [==>]	[2]		
<i>Comments: Total on-source exposure time 0 sec; SN=11.3 id=COS.sp.823805</i>										
9	PG1218+30 4-1300.4 (COS.sp.823 805)	(12) PG1218+304	COS/FUV, TIME-TAG, PSA	G130M 1300 A	FP-POS=4; BUFFER-TIME=28 51		646 Secs (646 Secs) [==>]	[2]		
<i>Comments: Total on-source exposure time 0 sec; SN=11.3 id=COS.sp.823805</i>										



Proposal 14772 - RBS918 (13) - Observing gas in Cosmic Web filaments to constrain simulations of cosmic structure formation

Mon Sep 18 21:01:50 GMT 2017

Visit	Proposal 14772, RBS918 (13), implementation Diagnostic Status: Warning Scientific Instruments: COS/FUV, COS/NUV Special Requirements: (none)										
	(RBS918 (13)) Warning (Orbit Planner): ORBITAL VISIBILITY OVERRUN										
Diagnosics											
Fixed Targets	#	Name	Target Coordinates	Targ. Coord. Corrections	Fluxes	Miscellaneous					
	(13)	RBS918	RA: 10 54 44.7000 (163.6862500d) Dec: +48 31 39.10 (48.52753d) Equinox: J2000		V=16.20+/-0.1 F=1.98; z=0.286	Reference Frame: ICRS					
<i>Comments: Extended=NO</i>											
Exposures	#	Label (ETC Run)	Target	Config,Mode,Aperture	Spectral Els.	Opt. Params.	Special Reqs.	Groups	Exp. Time (Total)/[Actual Dur.]	Orbit	
	1	RBS918-AC Q/IMAGE (COS.ta.823 595)	(13) RBS918	COS/NUV, ACQ/IMAGE, PSA	MIRRORB				15 Secs (15 Secs) [==>]	[1]	
	<i>Comments: NUV acquisition exposure COS ETC result for S/N=40; GALEX M(NUV)=15.71 => texp=15 sec Count rate 1034/sec</i>										
	2	RBS918-13 27.1 (COS.sp.823 806)	(13) RBS918	COS/FUV, TIME-TAG, PSA	G130M 1327 A	FP-POS=1; BUFFER-TIME=16 26; LIFETIME-POS=L P3				566 Secs (566 Secs) [==>]	[1]
	<i>Comments: Total on-source exposure time 0 sec; SN=20.0 id=COS.sp.823806</i>										
	3	RBS918-13 27.2 (COS.sp.823 806)	(13) RBS918	COS/FUV, TIME-TAG, PSA	G130M 1327 A	FP-POS=2; BUFFER-TIME=16 26; LIFETIME-POS=L P3				566 Secs (566 Secs) [==>]	[1]
<i>Comments: Total on-source exposure time 0 sec; SN=20.0 id=COS.sp.823806</i>											
4	RBS918-13 27.3 (COS.sp.823 806)	(13) RBS918	COS/FUV, TIME-TAG, PSA	G130M 1327 A	FP-POS=3; BUFFER-TIME=16 26; LIFETIME-POS=L P3				566 Secs (566 Secs) [==>]	[1]	
<i>Comments: Total on-source exposure time 0 sec; SN=20.0 id=COS.sp.823806</i>											
5	RBS918-13 27.4 (COS.sp.823 806)	(13) RBS918	COS/FUV, TIME-TAG, PSA	G130M 1327 A	FP-POS=4; BUFFER-TIME=16 26; LIFETIME-POS=L P3				566 Secs (566 Secs) [==>]	[1]	
<i>Comments: Total on-source exposure time 0 sec; SN=20.0 id=COS.sp.823806</i>											



Proposal 14772 - RBS970 (14) - Observing gas in Cosmic Web filaments to constrain simulations of cosmic structure formation

Mon Sep 18 21:01:50 GMT 2017

Visit	Proposal 14772, RBS970 (14), implementation Diagnostic Status: Warning Scientific Instruments: COS/FUV, COS/NUV Special Requirements: (none)					
	(RBS970 (14)) Warning (Orbit Planner): ORBITAL VISIBILITY OVERRUN (RBS970 (14)) Warning (Orbit Planner): ORBITAL VISIBILITY OVERRUN					
Diagnosics						
Fixed Targets	#	Name	Target Coordinates	Targ. Coord. Corrections	Fluxes	Miscellaneous
	(14)	RBS970	RA: 11 20 48.0700 (170.2002917d) Dec: +42 12 12.50 (42.20347d) Equinox: J2000		V=17.11+/-0.1 F=0.24; z=0.124	Reference Frame: ICRS
<i>Comments: Extended=NO</i>						

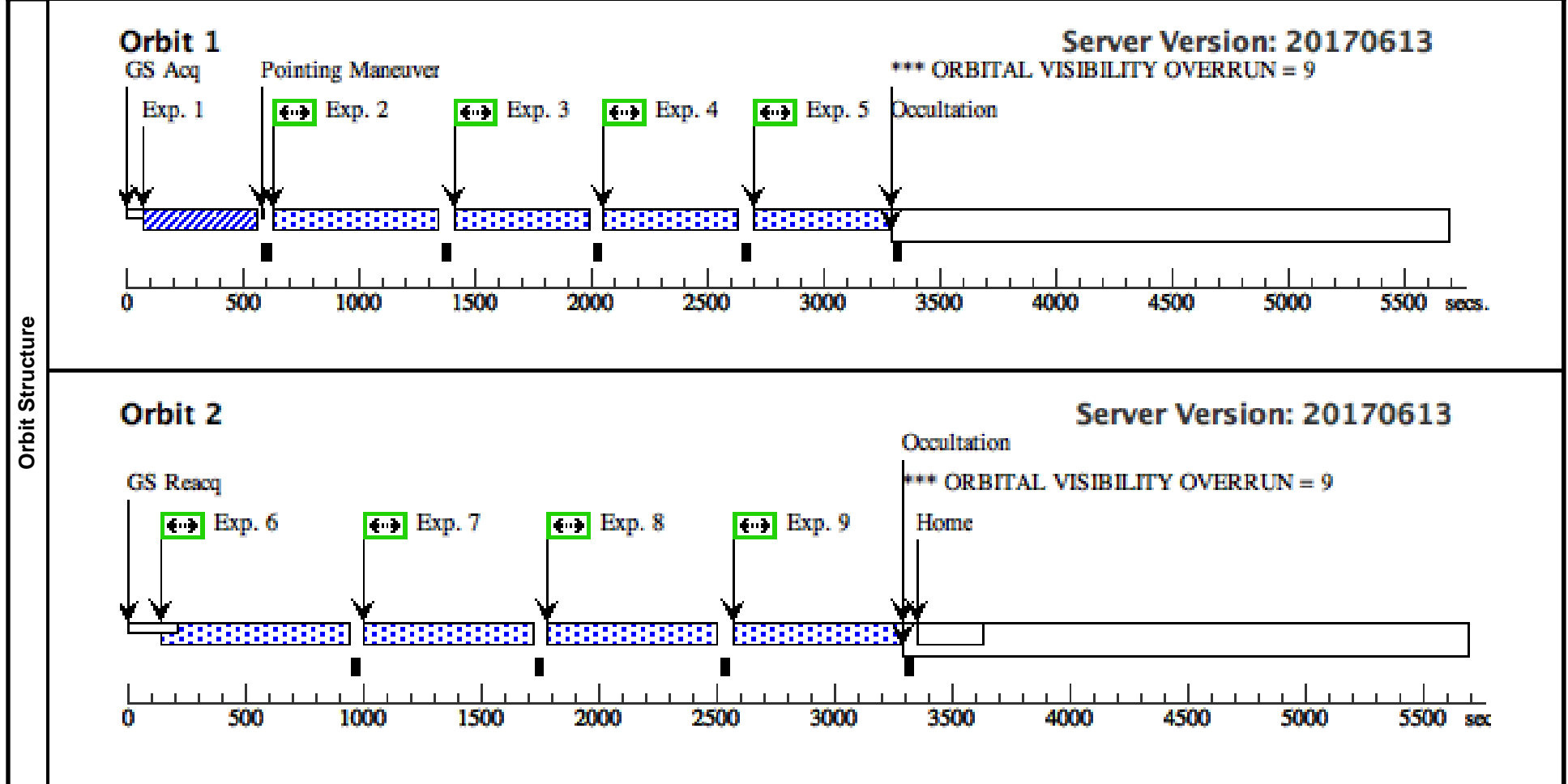
Proposal 14772 - RBS970 (14) - Observing gas in Cosmic Web filaments to constrain simulations of cosmic structure formation

#	Label (ETC Run)	Target	Config,Mode,Aperture	Spectral Els.	Opt. Params.	Special Reqs.	Groups	Exp. Time (Total)/[Actual Dur.]	Orbit	
Exposures	1	RBS970-AC (14) RBS970 Q/IMAGE (COS.ta.823 596)	COS/NUV, ACQ/IMAGE, PSA	MIRRORB				88 Secs (88 Secs) [==>]	[1]	
	<i>Comments: NUV acquisition exposure COS ETC result for S/N=40; GALEX M(NUV)=17.66 => texp=88 sec Count rate 898/sec</i>									
	2	RBS970-13 (14) RBS970 27.1 (COS.sp.823 807)	COS/FUV, TIME-TAG, PSA	G130M 1327 A	FP-POS=1; BUFFER-TIME=39 51; LIFETIME-POS=L P3			532 Secs (532 Secs) [==>]	[1]	
	<i>Comments: Total on-source exposure time 0 sec; SN=9.9 id=COS.sp.823807</i>									
	3	RBS970-13 (14) RBS970 27.2 (COS.sp.823 807)	COS/FUV, TIME-TAG, PSA	G130M 1327 A	FP-POS=2; BUFFER-TIME=39 51; LIFETIME-POS=L P3			532 Secs (532 Secs) [==>]	[1]	
	<i>Comments: Total on-source exposure time 0 sec; SN=9.9 id=COS.sp.823807</i>									
	4	RBS970-13 (14) RBS970 27.3 (COS.sp.823 807)	COS/FUV, TIME-TAG, PSA	G130M 1327 A	FP-POS=3; BUFFER-TIME=39 51; LIFETIME-POS=L P3			532 Secs (532 Secs) [==>]	[1]	
	<i>Comments: Total on-source exposure time 0 sec; SN=9.9 id=COS.sp.823807</i>									
5	RBS970-13 (14) RBS970 27.4 (COS.sp.823 807)	COS/FUV, TIME-TAG, PSA	G130M 1327 A	FP-POS=4; BUFFER-TIME=39 51; LIFETIME-POS=L P3			534 Secs (534 Secs) [==>]	[1]		
<i>Comments: Total on-source exposure time 0 sec; SN=9.9 id=COS.sp.823807</i>										
6	RBS970-13 (14) RBS970 00.1 (COS.sp.823 807)	COS/FUV, TIME-TAG, PSA	G130M 1300 A	FP-POS=1; BUFFER-TIME=39 51; LIFETIME-POS=L P3			669 Secs (669 Secs) [==>]	[2]		
<i>Comments: Total on-source exposure time 0 sec; SN=9.9 id=COS.sp.823807</i>										
7	RBS970-13 (14) RBS970 00.2 (COS.sp.823 807)	COS/FUV, TIME-TAG, PSA	G130M 1300 A	FP-POS=2; BUFFER-TIME=39 51; LIFETIME-POS=L P3			669 Secs (669 Secs) [==>]	[2]		
<i>Comments: Total on-source exposure time 0 sec; SN=9.9 id=COS.sp.823807</i>										
8	RBS970-13 (14) RBS970 00.3 (COS.sp.823 807)	COS/FUV, TIME-TAG, PSA	G130M 1300 A	FP-POS=3; BUFFER-TIME=39 51; LIFETIME-POS=L P3			669 Secs (669 Secs) [==>]	[2]		
<i>Comments: Total on-source exposure time 0 sec; SN=9.9 id=COS.sp.823807</i>										

Proposal 14772 - RBS970 (14) - Observing gas in Cosmic Web filaments to constrain simulations of cosmic structure formation

9	RBS970-13 (14) RBS970 00.4 (COS.sp.823 807)	COS/FUV, TIME-TAG, PSA	G130M 1300 A	FP-POS=4; BUFFER-TIME=39 51; LIFETIME-POS=L P3	669 Secs (669 Secs) [==>]	[2]
---	--	------------------------	-----------------	--	------------------------------	-----

Comments: Total on-source exposure time 0 sec; SN=9.9 id=COS.sp.823807



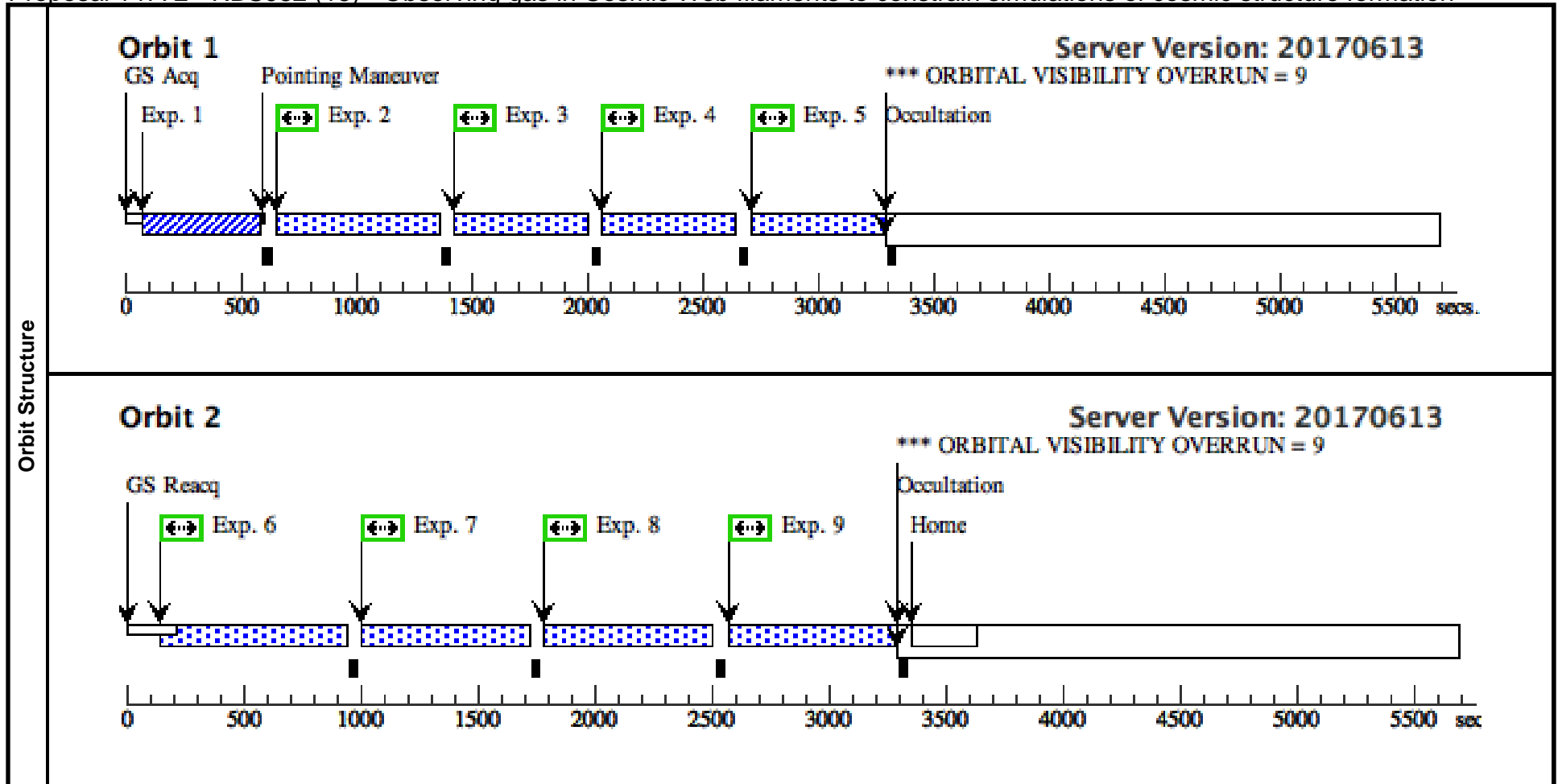
Proposal 14772 - RBS982 (15) - Observing gas in Cosmic Web filaments to constrain simulations of cosmic structure formation

Mon Sep 18 21:01:50 GMT 2017

Visit	Proposal 14772, RBS982 (15), completed Diagnostic Status: Error Scientific Instruments: COS/FUV, COS/NUV Special Requirements: (none)						
	Diagnostics	(RBS982-1327.1 (15.002)) Error (Form): LIFETIME-POS is required with G130M when not in Supported mode. (RBS982-1327.2 (15.003)) Error (Form): LIFETIME-POS is required with G130M when not in Supported mode. (RBS982-1327.3 (15.004)) Error (Form): LIFETIME-POS is required with G130M when not in Supported mode. (RBS982-1327.4 (15.005)) Error (Form): LIFETIME-POS is required with G130M when not in Supported mode. (RBS982-1300.1 (15.006)) Error (Form): LIFETIME-POS is required with G130M when not in Supported mode. (RBS982-1300.2 (15.007)) Error (Form): LIFETIME-POS is required with G130M when not in Supported mode. (RBS982-1300.3 (15.008)) Error (Form): LIFETIME-POS is required with G130M when not in Supported mode. (RBS982-1300.4 (15.009)) Error (Form): LIFETIME-POS is required with G130M when not in Supported mode. (RBS982 (15)) Warning (Orbit Planner): ORBITAL VISIBILITY OVERRUN (RBS982 (15)) Warning (Orbit Planner): ORBITAL VISIBILITY OVERRUN (RBS982-1327.1 (15.002)) Warning (Form): Defaults for SEGMENT have changed in APT25.2 for use of LP4 with G130M. See full description for details. (RBS982-1327.2 (15.003)) Warning (Form): Defaults for SEGMENT have changed in APT25.2 for use of LP4 with G130M. See full description for details. (RBS982-1327.3 (15.004)) Warning (Form): Defaults for SEGMENT have changed in APT25.2 for use of LP4 with G130M. See full description for details. (RBS982-1327.4 (15.005)) Warning (Form): Defaults for SEGMENT have changed in APT25.2 for use of LP4 with G130M. See full description for details. (RBS982-1300.1 (15.006)) Warning (Form): Defaults for SEGMENT have changed in APT25.2 for use of LP4 with G130M. See full description for details. (RBS982-1300.2 (15.007)) Warning (Form): Defaults for SEGMENT have changed in APT25.2 for use of LP4 with G130M. See full description for details. (RBS982-1300.3 (15.008)) Warning (Form): Defaults for SEGMENT have changed in APT25.2 for use of LP4 with G130M. See full description for details. (RBS982-1300.4 (15.009)) Warning (Form): Defaults for SEGMENT have changed in APT25.2 for use of LP4 with G130M. See full description for details.					
Fixed Targets		#	Name	Target Coordinates	Targ. Coord. Corrections	Fluxes	Miscellaneous
		(15)	RBS982	RA: 11 25 40.8400 (171.4201667d) Dec: +41 22 31.60 (41.37544d) Equinox: J2000		V=17.70+/-0.1 F=0.38; z=0.196	Reference Frame: ICRS
<i>Comments: Extended=NO</i>							

Proposal 14772 - RBS982 (15) - Observing gas in Cosmic Web filaments to constrain simulations of cosmic structure formation

#	Label (ETC Run)	Target	Config,Mode,Aperture	Spectral Els.	Opt. Params.	Special Reqs.	Groups	Exp. Time (Total)/[Actual Dur.]	Orbit
Exposures	1	RBS982-AC (15) RBS982 Q/IMAGE (COS.ta.823 597)	COS/NUV, ACQ/IMAGE, PSA	MIRRORB				97 Secs (97 Secs) [==>]	[1]
	<i>Comments: NUV acquisition exposure COS ETC result for S/N=40; GALEX M(NUV)=17.77 => texp=97 sec Count rate 896/sec</i>								
	2	RBS982-13 (15) RBS982 27.1 (COS.sp.823 808)	COS/FUV, TIME-TAG, PSA	G130M 1327 A	FP-POS=1; BUFFER-TIME=35 44			528 Secs (528 Secs) [==>]	[1]
	<i>Comments: Total on-source exposure time 0 sec; SN=12.4 id=COS.sp.823808</i>								
	3	RBS982-13 (15) RBS982 27.2 (COS.sp.823 808)	COS/FUV, TIME-TAG, PSA	G130M 1327 A	FP-POS=2; BUFFER-TIME=35 44			528 Secs (528 Secs) [==>]	[1]
	<i>Comments: Total on-source exposure time 0 sec; SN=12.4 id=COS.sp.823808</i>								
	4	RBS982-13 (15) RBS982 27.3 (COS.sp.823 808)	COS/FUV, TIME-TAG, PSA	G130M 1327 A	FP-POS=3; BUFFER-TIME=35 44			528 Secs (528 Secs) [==>]	[1]
	<i>Comments: Total on-source exposure time 0 sec; SN=12.4 id=COS.sp.823808</i>								
	5	RBS982-13 (15) RBS982 27.4 (COS.sp.823 808)	COS/FUV, TIME-TAG, PSA	G130M 1327 A	FP-POS=4; BUFFER-TIME=35 44			528 Secs (528 Secs) [==>]	[1]
<i>Comments: Total on-source exposure time 0 sec; SN=12.4 id=COS.sp.823808</i>									
6	RBS982-13 (15) RBS982 00.1 (COS.sp.823 808)	COS/FUV, TIME-TAG, PSA	G130M 1300 A	FP-POS=1; BUFFER-TIME=35 44			669 Secs (669 Secs) [==>]	[2]	
<i>Comments: Total on-source exposure time 0 sec; SN=12.4 id=COS.sp.823808</i>									
7	RBS982-13 (15) RBS982 00.2 (COS.sp.823 808)	COS/FUV, TIME-TAG, PSA	G130M 1300 A	FP-POS=2; BUFFER-TIME=35 44			669 Secs (669 Secs) [==>]	[2]	
<i>Comments: Total on-source exposure time 0 sec; SN=12.4 id=COS.sp.823808</i>									
8	RBS982-13 (15) RBS982 00.3 (COS.sp.823 808)	COS/FUV, TIME-TAG, PSA	G130M 1300 A	FP-POS=3; BUFFER-TIME=35 44			669 Secs (669 Secs) [==>]	[2]	
<i>Comments: Total on-source exposure time 0 sec; SN=12.4 id=COS.sp.823808</i>									
9	RBS982-13 (15) RBS982 00.4 (COS.sp.823 808)	COS/FUV, TIME-TAG, PSA	G130M 1300 A	FP-POS=4; BUFFER-TIME=35 44			669 Secs (669 Secs) [==>]	[2]	
<i>Comments: Total on-source exposure time 0 sec; SN=12.4 id=COS.sp.823808</i>									



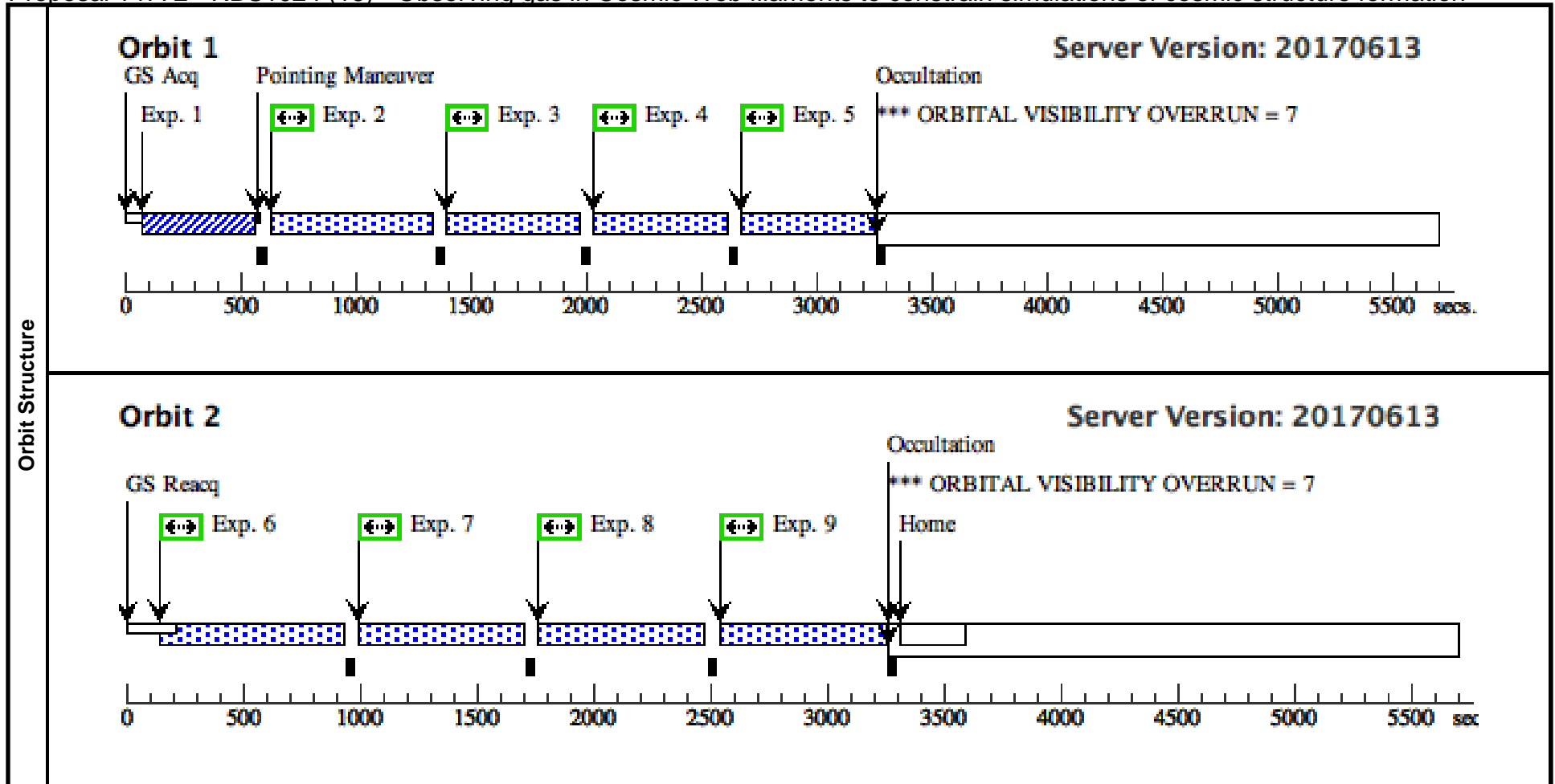
Proposal 14772 - RBS1024 (16) - Observing gas in Cosmic Web filaments to constrain simulations of cosmic structure formation

Mon Sep 18 21:01:50 GMT 2017

Visit	<p>Proposal 14772, RBS1024 (16), completed</p> <p>Diagnostic Status: Error</p> <p>Scientific Instruments: COS/FUV, COS/NUV</p> <p>Special Requirements: (none)</p>						
	Diagnostics	<p>(RBS1024-1327.1 (16.002)) Error (Form): LIFETIME-POS is required with G130M when not in Supported mode.</p> <p>(RBS1024-1327.2 (16.003)) Error (Form): LIFETIME-POS is required with G130M when not in Supported mode.</p> <p>(RBS1024-1327.3 (16.004)) Error (Form): LIFETIME-POS is required with G130M when not in Supported mode.</p> <p>(RBS1024-1327.4 (16.005)) Error (Form): LIFETIME-POS is required with G130M when not in Supported mode.</p> <p>(RBS1024-1300.1 (16.006)) Error (Form): LIFETIME-POS is required with G130M when not in Supported mode.</p> <p>(RBS1024-1300.2 (16.007)) Error (Form): LIFETIME-POS is required with G130M when not in Supported mode.</p> <p>(RBS1024-1300.3 (16.008)) Error (Form): LIFETIME-POS is required with G130M when not in Supported mode.</p> <p>(RBS1024-1300.4 (16.009)) Error (Form): LIFETIME-POS is required with G130M when not in Supported mode.</p> <p>(RBS1024 (16)) Warning (Orbit Planner): ORBITAL VISIBILITY OVERRUN</p> <p>(RBS1024 (16)) Warning (Orbit Planner): ORBITAL VISIBILITY OVERRUN</p> <p>(RBS1024-1327.1 (16.002)) Warning (Form): Defaults for SEGMENT have changed in APT25.2 for use of LP4 with G130M. See full description for details.</p> <p>(RBS1024-1327.2 (16.003)) Warning (Form): Defaults for SEGMENT have changed in APT25.2 for use of LP4 with G130M. See full description for details.</p> <p>(RBS1024-1327.3 (16.004)) Warning (Form): Defaults for SEGMENT have changed in APT25.2 for use of LP4 with G130M. See full description for details.</p> <p>(RBS1024-1327.4 (16.005)) Warning (Form): Defaults for SEGMENT have changed in APT25.2 for use of LP4 with G130M. See full description for details.</p> <p>(RBS1024-1300.1 (16.006)) Warning (Form): Defaults for SEGMENT have changed in APT25.2 for use of LP4 with G130M. See full description for details.</p> <p>(RBS1024-1300.2 (16.007)) Warning (Form): Defaults for SEGMENT have changed in APT25.2 for use of LP4 with G130M. See full description for details.</p> <p>(RBS1024-1300.3 (16.008)) Warning (Form): Defaults for SEGMENT have changed in APT25.2 for use of LP4 with G130M. See full description for details.</p> <p>(RBS1024-1300.4 (16.009)) Warning (Form): Defaults for SEGMENT have changed in APT25.2 for use of LP4 with G130M. See full description for details.</p>					
Fixed Targets		#	Name	Target Coordinates	Targ. Coord. Corrections	Fluxes	Miscellaneous
		(16)	RBS1024	<p>RA: 11 44 29.8800 (176.1245000d)</p> <p>Dec: +36 53 8.60 (36.88572d)</p> <p>Equinox: J2000</p> <p><i>Comments: Extended=NO</i></p>		<p>V=15.49+/-0.1</p> <p>F=0.36; z=0.040</p>	Reference Frame: ICRS

Proposal 14772 - RBS1024 (16) - Observing gas in Cosmic Web filaments to constrain simulations of cosmic structure formation

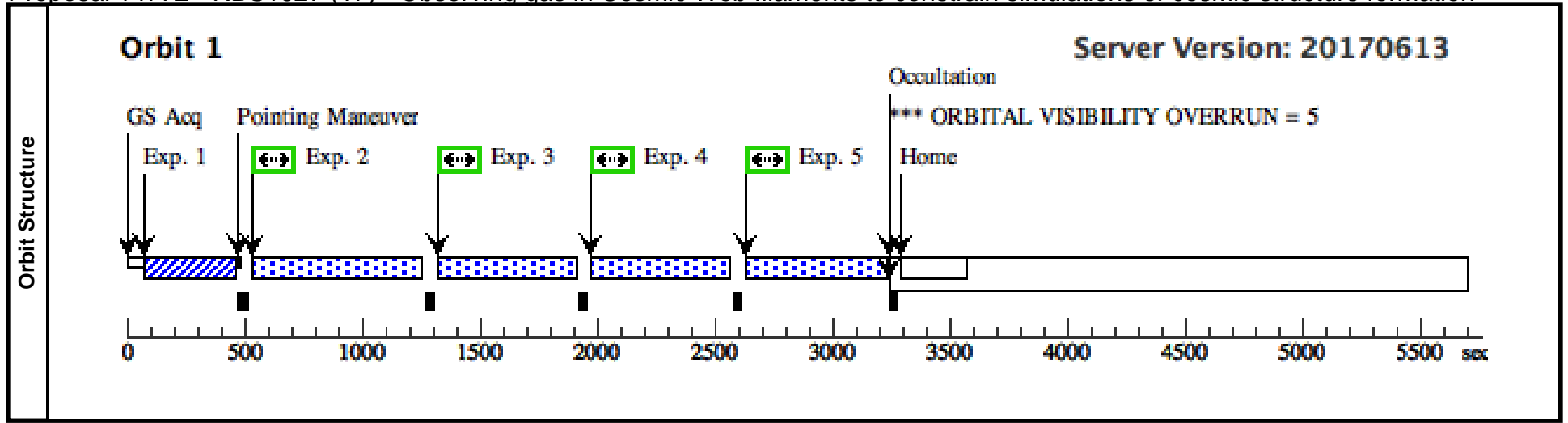
#	Label (ETC Run)	Target	Config,Mode,Aperture	Spectral Els.	Opt. Params.	Special Reqs.	Groups	Exp. Time (Total)/[Actual Dur.]	Orbit	
Exposures	1	RBS1024-A CQ/IMAGE (COS.ta.823 592)	(16) RBS1024	COS/NUV, ACQ/IMAGE, PSA	MIRRORB			85 Secs (85 Secs) [==>]	[1]	
	<i>Comments: NUV acquisition exposure COS ETC result for S/N=40; GALEX M(NUV)=17.62 => texp=85 sec Count rate 900/sec</i>									
	2	RBS1024-1 327.1 (COS.sp.823 809)	(16) RBS1024	COS/FUV, TIME-TAG, PSA	G130M 1327 A	FP-POS=1; BUFFER-TIME=35 97			524 Secs (524 Secs) [==>]	[1]
	<i>Comments: Total on-source exposure time 0 sec; SN=12.0 id=COS.sp.823809</i>									
	3	RBS1024-1 327.2 (COS.sp.823 809)	(16) RBS1024	COS/FUV, TIME-TAG, PSA	G130M 1327 A	FP-POS=2; BUFFER-TIME=35 97			524 Secs (524 Secs) [==>]	[1]
	<i>Comments: Total on-source exposure time 0 sec; SN=12.0 id=COS.sp.823809</i>									
	4	RBS1024-1 327.3 (COS.sp.823 809)	(16) RBS1024	COS/FUV, TIME-TAG, PSA	G130M 1327 A	FP-POS=3; BUFFER-TIME=35 97			524 Secs (524 Secs) [==>]	[1]
	<i>Comments: Total on-source exposure time 0 sec; SN=12.0 id=COS.sp.823809</i>									
	5	RBS1024-1 327.4 (COS.sp.823 809)	(16) RBS1024	COS/FUV, TIME-TAG, PSA	G130M 1327 A	FP-POS=4; BUFFER-TIME=35 97			524 Secs (524 Secs) [==>]	[1]
<i>Comments: Total on-source exposure time 0 sec; SN=12.0 id=COS.sp.823809</i>										
6	RBS1024-1 300.1 (COS.sp.823 809)	(16) RBS1024	COS/FUV, TIME-TAG, PSA	G130M 1300 A	FP-POS=1; BUFFER-TIME=35 97			659 Secs (659 Secs) [==>]	[2]	
<i>Comments: Total on-source exposure time 0 sec; SN=12.0 id=COS.sp.823809</i>										
7	RBS1024-1 300.2 (COS.sp.823 809)	(16) RBS1024	COS/FUV, TIME-TAG, PSA	G130M 1300 A	FP-POS=2; BUFFER-TIME=35 97			659 Secs (659 Secs) [==>]	[2]	
<i>Comments: Total on-source exposure time 0 sec; SN=12.0 id=COS.sp.823809</i>										
8	RBS1024-1 300.3 (COS.sp.823 809)	(16) RBS1024	COS/FUV, TIME-TAG, PSA	G130M 1300 A	FP-POS=3; BUFFER-TIME=35 97			659 Secs (659 Secs) [==>]	[2]	
<i>Comments: Total on-source exposure time 0 sec; SN=12.0 id=COS.sp.823809</i>										
9	RBS1024-1 300.4 (COS.sp.823 809)	(16) RBS1024	COS/FUV, TIME-TAG, PSA	G130M 1300 A	FP-POS=4; BUFFER-TIME=35 97			659 Secs (659 Secs) [==>]	[2]	
<i>Comments: Total on-source exposure time 0 sec; SN=12.0 id=COS.sp.823809</i>										



Proposal 14772 - RBS1027 (17) - Observing gas in Cosmic Web filaments to constrain simulations of cosmic structure formation

Mon Sep 18 21:01:50 GMT 2017

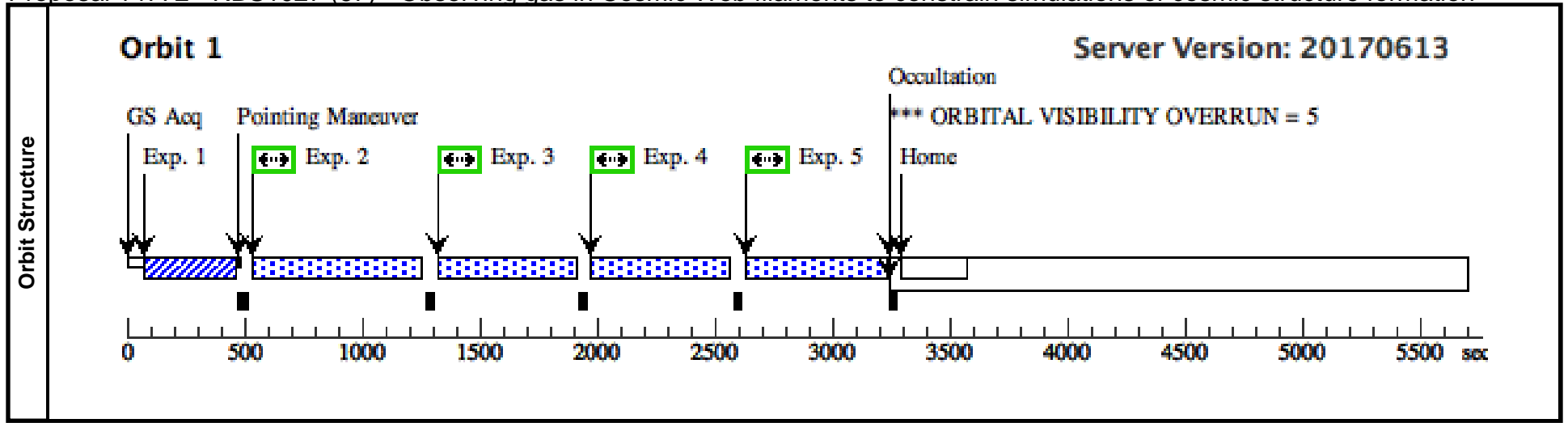
Visit	Proposal 14772, RBS1027 (17), failed Diagnostic Status: Error Scientific Instruments: COS/FUV, COS/NUV Special Requirements: (none)																																																																																																																							
Diagnostics	(RBS1027-1327.1 (17.002)) Error (Form): LIFETIME-POS is required with G130M when not in Supported mode. (RBS1027-1327.2 (17.003)) Error (Form): LIFETIME-POS is required with G130M when not in Supported mode. (RBS1027-1327.3 (17.004)) Error (Form): LIFETIME-POS is required with G130M when not in Supported mode. (RBS1027-1327.4 (17.005)) Error (Form): LIFETIME-POS is required with G130M when not in Supported mode. (RBS1027 (17)) Warning (Orbit Planner): ORBITAL VISIBILITY OVERRUN (RBS1027-1327.1 (17.002)) Warning (Form): Defaults for SEGMENT have changed in APT25.2 for use of LP4 with G130M. See full description for details. (RBS1027-1327.2 (17.003)) Warning (Form): Defaults for SEGMENT have changed in APT25.2 for use of LP4 with G130M. See full description for details. (RBS1027-1327.3 (17.004)) Warning (Form): Defaults for SEGMENT have changed in APT25.2 for use of LP4 with G130M. See full description for details. (RBS1027-1327.4 (17.005)) Warning (Form): Defaults for SEGMENT have changed in APT25.2 for use of LP4 with G130M. See full description for details.																																																																																																																							
Fixed Targets	<table border="1"> <thead> <tr> <th>#</th> <th>Name</th> <th>Target Coordinates</th> <th>Targ. Coord. Corrections</th> <th>Fluxes</th> <th>Miscellaneous</th> </tr> </thead> <tbody> <tr> <td>(17)</td> <td>RBS1027</td> <td>RA: 11 45 10.2700 (176.2927917d) Dec: +30 47 17.30 (30.78814d) Equinox: J2000</td> <td></td> <td>V=16.60+/-0.1 F=0.74; z=0.060</td> <td>Reference Frame: ICRS</td> </tr> </tbody> </table> Comments: Extended=NO										#	Name	Target Coordinates	Targ. Coord. Corrections	Fluxes	Miscellaneous	(17)	RBS1027	RA: 11 45 10.2700 (176.2927917d) Dec: +30 47 17.30 (30.78814d) Equinox: J2000		V=16.60+/-0.1 F=0.74; z=0.060	Reference Frame: ICRS																																																																																																		
#	Name	Target Coordinates	Targ. Coord. Corrections	Fluxes	Miscellaneous																																																																																																																			
(17)	RBS1027	RA: 11 45 10.2700 (176.2927917d) Dec: +30 47 17.30 (30.78814d) Equinox: J2000		V=16.60+/-0.1 F=0.74; z=0.060	Reference Frame: ICRS																																																																																																																			
Exposures	<table border="1"> <thead> <tr> <th>#</th> <th>Label (ETC Run)</th> <th>Target</th> <th>Config,Mode,Aperture</th> <th>Spectral Els.</th> <th>Opt. Params.</th> <th>Special Reqs.</th> <th>Groups</th> <th>Exp. Time (Total)/[Actual Dur.]</th> <th>Orbit</th> </tr> </thead> <tbody> <tr> <td>1</td> <td>RBS1027-A CQ/IMAGE (COS.ta.823 593)</td> <td>(17) RBS1027</td> <td>COS/NUV, ACQ/IMAGE, PSA</td> <td>MIRRORB</td> <td></td> <td></td> <td></td> <td>37 Secs (37 Secs) [==>]</td> <td>[1]</td> </tr> <tr> <td colspan="10">Comments: NUV acquisition exposure COS ETC result for S/N=40; GALEX M(NUV)=16.72 => texp=37 sec Count rate 936/sec</td> </tr> <tr> <td>2</td> <td>RBS1027-1 327.1 (COS.sp.823 810)</td> <td>(17) RBS1027</td> <td>COS/FUV, TIME-TAG, PSA</td> <td>G130M 1327 A</td> <td>FP-POS=1; BUFFER-TIME=28 01</td> <td></td> <td></td> <td>542 Secs (542 Secs) [==>]</td> <td>[1]</td> </tr> <tr> <td colspan="10">Comments: Total on-source exposure time 0 sec; SN=11.8 id=COS.sp.823810</td> </tr> <tr> <td>3</td> <td>RBS1027-1 327.2 (COS.sp.823 810)</td> <td>(17) RBS1027</td> <td>COS/FUV, TIME-TAG, PSA</td> <td>G130M 1327 A</td> <td>FP-POS=2; BUFFER-TIME=28 01</td> <td></td> <td></td> <td>542 Secs (542 Secs) [==>]</td> <td>[1]</td> </tr> <tr> <td colspan="10">Comments: Total on-source exposure time 0 sec; SN=11.8 id=COS.sp.823810</td> </tr> <tr> <td>4</td> <td>RBS1027-1 327.3 (COS.sp.823 810)</td> <td>(17) RBS1027</td> <td>COS/FUV, TIME-TAG, PSA</td> <td>G130M 1327 A</td> <td>FP-POS=3; BUFFER-TIME=28 01</td> <td></td> <td></td> <td>542 Secs (542 Secs) [==>]</td> <td>[1]</td> </tr> <tr> <td colspan="10">Comments: Total on-source exposure time 0 sec; SN=11.8 id=COS.sp.823810</td> </tr> <tr> <td>5</td> <td>RBS1027-1 327.4 (COS.sp.823 810)</td> <td>(17) RBS1027</td> <td>COS/FUV, TIME-TAG, PSA</td> <td>G130M 1327 A</td> <td>FP-POS=4; BUFFER-TIME=28 01</td> <td></td> <td></td> <td>544 Secs (544 Secs) [==>]</td> <td>[1]</td> </tr> <tr> <td colspan="10">Comments: Total on-source exposure time 0 sec; SN=11.8 id=COS.sp.823810</td> </tr> </tbody> </table>										#	Label (ETC Run)	Target	Config,Mode,Aperture	Spectral Els.	Opt. Params.	Special Reqs.	Groups	Exp. Time (Total)/[Actual Dur.]	Orbit	1	RBS1027-A CQ/IMAGE (COS.ta.823 593)	(17) RBS1027	COS/NUV, ACQ/IMAGE, PSA	MIRRORB				37 Secs (37 Secs) [==>]	[1]	Comments: NUV acquisition exposure COS ETC result for S/N=40; GALEX M(NUV)=16.72 => texp=37 sec Count rate 936/sec										2	RBS1027-1 327.1 (COS.sp.823 810)	(17) RBS1027	COS/FUV, TIME-TAG, PSA	G130M 1327 A	FP-POS=1; BUFFER-TIME=28 01			542 Secs (542 Secs) [==>]	[1]	Comments: Total on-source exposure time 0 sec; SN=11.8 id=COS.sp.823810										3	RBS1027-1 327.2 (COS.sp.823 810)	(17) RBS1027	COS/FUV, TIME-TAG, PSA	G130M 1327 A	FP-POS=2; BUFFER-TIME=28 01			542 Secs (542 Secs) [==>]	[1]	Comments: Total on-source exposure time 0 sec; SN=11.8 id=COS.sp.823810										4	RBS1027-1 327.3 (COS.sp.823 810)	(17) RBS1027	COS/FUV, TIME-TAG, PSA	G130M 1327 A	FP-POS=3; BUFFER-TIME=28 01			542 Secs (542 Secs) [==>]	[1]	Comments: Total on-source exposure time 0 sec; SN=11.8 id=COS.sp.823810										5	RBS1027-1 327.4 (COS.sp.823 810)	(17) RBS1027	COS/FUV, TIME-TAG, PSA	G130M 1327 A	FP-POS=4; BUFFER-TIME=28 01			544 Secs (544 Secs) [==>]	[1]	Comments: Total on-source exposure time 0 sec; SN=11.8 id=COS.sp.823810									
#	Label (ETC Run)	Target	Config,Mode,Aperture	Spectral Els.	Opt. Params.	Special Reqs.	Groups	Exp. Time (Total)/[Actual Dur.]	Orbit																																																																																																															
1	RBS1027-A CQ/IMAGE (COS.ta.823 593)	(17) RBS1027	COS/NUV, ACQ/IMAGE, PSA	MIRRORB				37 Secs (37 Secs) [==>]	[1]																																																																																																															
Comments: NUV acquisition exposure COS ETC result for S/N=40; GALEX M(NUV)=16.72 => texp=37 sec Count rate 936/sec																																																																																																																								
2	RBS1027-1 327.1 (COS.sp.823 810)	(17) RBS1027	COS/FUV, TIME-TAG, PSA	G130M 1327 A	FP-POS=1; BUFFER-TIME=28 01			542 Secs (542 Secs) [==>]	[1]																																																																																																															
Comments: Total on-source exposure time 0 sec; SN=11.8 id=COS.sp.823810																																																																																																																								
3	RBS1027-1 327.2 (COS.sp.823 810)	(17) RBS1027	COS/FUV, TIME-TAG, PSA	G130M 1327 A	FP-POS=2; BUFFER-TIME=28 01			542 Secs (542 Secs) [==>]	[1]																																																																																																															
Comments: Total on-source exposure time 0 sec; SN=11.8 id=COS.sp.823810																																																																																																																								
4	RBS1027-1 327.3 (COS.sp.823 810)	(17) RBS1027	COS/FUV, TIME-TAG, PSA	G130M 1327 A	FP-POS=3; BUFFER-TIME=28 01			542 Secs (542 Secs) [==>]	[1]																																																																																																															
Comments: Total on-source exposure time 0 sec; SN=11.8 id=COS.sp.823810																																																																																																																								
5	RBS1027-1 327.4 (COS.sp.823 810)	(17) RBS1027	COS/FUV, TIME-TAG, PSA	G130M 1327 A	FP-POS=4; BUFFER-TIME=28 01			544 Secs (544 Secs) [==>]	[1]																																																																																																															
Comments: Total on-source exposure time 0 sec; SN=11.8 id=COS.sp.823810																																																																																																																								



Proposal 14772 - RBS1027 (67) - Observing gas in Cosmic Web filaments to constrain simulations of cosmic structure formation

Mon Sep 18 21:01:50 GMT 2017

Visit	Proposal 14772, RBS1027 (67), implementation Diagnostic Status: Warning Scientific Instruments: COS/FUV, COS/NUV Special Requirements: (none) <i>Comments: Duplicate of failed visit 17</i>																																																																																																																						
	Diagnosics (RBS1027 (67)) Warning (Orbit Planner): ORBITAL VISIBILITY OVERRUN																																																																																																																						
Fixed Targets	<table border="1"> <thead> <tr> <th>#</th> <th>Name</th> <th>Target Coordinates</th> <th>Targ. Coord. Corrections</th> <th>Fluxes</th> <th>Miscellaneous</th> </tr> </thead> <tbody> <tr> <td>(17)</td> <td>RBS1027</td> <td>RA: 11 45 10.2700 (176.2927917d) Dec: +30 47 17.30 (30.78814d) Equinox: J2000</td> <td></td> <td>V=16.60+/-0.1 F=0.74; z=0.060</td> <td>Reference Frame: ICRS</td> </tr> </tbody> </table> <i>Comments: Extended=NO</i>										#	Name	Target Coordinates	Targ. Coord. Corrections	Fluxes	Miscellaneous	(17)	RBS1027	RA: 11 45 10.2700 (176.2927917d) Dec: +30 47 17.30 (30.78814d) Equinox: J2000		V=16.60+/-0.1 F=0.74; z=0.060	Reference Frame: ICRS																																																																																																	
	#	Name	Target Coordinates	Targ. Coord. Corrections	Fluxes	Miscellaneous																																																																																																																	
(17)	RBS1027	RA: 11 45 10.2700 (176.2927917d) Dec: +30 47 17.30 (30.78814d) Equinox: J2000		V=16.60+/-0.1 F=0.74; z=0.060	Reference Frame: ICRS																																																																																																																		
<table border="1"> <thead> <tr> <th>#</th> <th>Label (ETC Run)</th> <th>Target</th> <th>Config,Mode,Aperture</th> <th>Spectral Els.</th> <th>Opt. Params.</th> <th>Special Reqs.</th> <th>Groups</th> <th>Exp. Time (Total)/[Actual Dur.]</th> <th>Orbit</th> </tr> </thead> <tbody> <tr> <td>1</td> <td>RBS1027-A CQ/IMAGE (COS.ta.823 593)</td> <td>(17) RBS1027</td> <td>COS/NUV, ACQ/IMAGE, PSA</td> <td>MIRRORB</td> <td></td> <td></td> <td></td> <td>37 Secs (37 Secs) [==>]</td> <td>[1]</td> </tr> <tr> <td colspan="10"><i>Comments: NUV acquisition exposure COS ETC result for S/N=40; GALEX M(NUV)=16.72 => texp=37 sec Count rate 936/sec</i></td> </tr> <tr> <td>2</td> <td>RBS1027-1 327.1 (COS.sp.823 810)</td> <td>(17) RBS1027</td> <td>COS/FUV, TIME-TAG, PSA</td> <td>G130M 1327 A</td> <td>FP-POS=1; BUFFER-TIME=28 01; LIFETIME-POS=L P3</td> <td></td> <td></td> <td>542 Secs (542 Secs) [==>]</td> <td>[1]</td> </tr> <tr> <td colspan="10"><i>Comments: Total on-source exposure time 0 sec; SN=11.8 id=COS.sp.823810</i></td> </tr> <tr> <td>3</td> <td>RBS1027-1 327.2 (COS.sp.823 810)</td> <td>(17) RBS1027</td> <td>COS/FUV, TIME-TAG, PSA</td> <td>G130M 1327 A</td> <td>FP-POS=2; BUFFER-TIME=28 01; LIFETIME-POS=L P3</td> <td></td> <td></td> <td>542 Secs (542 Secs) [==>]</td> <td>[1]</td> </tr> <tr> <td colspan="10"><i>Comments: Total on-source exposure time 0 sec; SN=11.8 id=COS.sp.823810</i></td> </tr> <tr> <td>4</td> <td>RBS1027-1 327.3 (COS.sp.823 810)</td> <td>(17) RBS1027</td> <td>COS/FUV, TIME-TAG, PSA</td> <td>G130M 1327 A</td> <td>FP-POS=3; BUFFER-TIME=28 01; LIFETIME-POS=L P3</td> <td></td> <td></td> <td>542 Secs (542 Secs) [==>]</td> <td>[1]</td> </tr> <tr> <td colspan="10"><i>Comments: Total on-source exposure time 0 sec; SN=11.8 id=COS.sp.823810</i></td> </tr> <tr> <td>5</td> <td>RBS1027-1 327.4 (COS.sp.823 810)</td> <td>(17) RBS1027</td> <td>COS/FUV, TIME-TAG, PSA</td> <td>G130M 1327 A</td> <td>FP-POS=4; BUFFER-TIME=28 01; LIFETIME-POS=L P3</td> <td></td> <td></td> <td>544 Secs (544 Secs) [==>]</td> <td>[1]</td> </tr> <tr> <td colspan="10"><i>Comments: Total on-source exposure time 0 sec; SN=11.8 id=COS.sp.823810</i></td> </tr> </tbody> </table>										#	Label (ETC Run)	Target	Config,Mode,Aperture	Spectral Els.	Opt. Params.	Special Reqs.	Groups	Exp. Time (Total)/[Actual Dur.]	Orbit	1	RBS1027-A CQ/IMAGE (COS.ta.823 593)	(17) RBS1027	COS/NUV, ACQ/IMAGE, PSA	MIRRORB				37 Secs (37 Secs) [==>]	[1]	<i>Comments: NUV acquisition exposure COS ETC result for S/N=40; GALEX M(NUV)=16.72 => texp=37 sec Count rate 936/sec</i>										2	RBS1027-1 327.1 (COS.sp.823 810)	(17) RBS1027	COS/FUV, TIME-TAG, PSA	G130M 1327 A	FP-POS=1; BUFFER-TIME=28 01; LIFETIME-POS=L P3			542 Secs (542 Secs) [==>]	[1]	<i>Comments: Total on-source exposure time 0 sec; SN=11.8 id=COS.sp.823810</i>										3	RBS1027-1 327.2 (COS.sp.823 810)	(17) RBS1027	COS/FUV, TIME-TAG, PSA	G130M 1327 A	FP-POS=2; BUFFER-TIME=28 01; LIFETIME-POS=L P3			542 Secs (542 Secs) [==>]	[1]	<i>Comments: Total on-source exposure time 0 sec; SN=11.8 id=COS.sp.823810</i>										4	RBS1027-1 327.3 (COS.sp.823 810)	(17) RBS1027	COS/FUV, TIME-TAG, PSA	G130M 1327 A	FP-POS=3; BUFFER-TIME=28 01; LIFETIME-POS=L P3			542 Secs (542 Secs) [==>]	[1]	<i>Comments: Total on-source exposure time 0 sec; SN=11.8 id=COS.sp.823810</i>										5	RBS1027-1 327.4 (COS.sp.823 810)	(17) RBS1027	COS/FUV, TIME-TAG, PSA	G130M 1327 A	FP-POS=4; BUFFER-TIME=28 01; LIFETIME-POS=L P3			544 Secs (544 Secs) [==>]	[1]	<i>Comments: Total on-source exposure time 0 sec; SN=11.8 id=COS.sp.823810</i>									
#	Label (ETC Run)	Target	Config,Mode,Aperture	Spectral Els.	Opt. Params.	Special Reqs.	Groups	Exp. Time (Total)/[Actual Dur.]	Orbit																																																																																																														
1	RBS1027-A CQ/IMAGE (COS.ta.823 593)	(17) RBS1027	COS/NUV, ACQ/IMAGE, PSA	MIRRORB				37 Secs (37 Secs) [==>]	[1]																																																																																																														
<i>Comments: NUV acquisition exposure COS ETC result for S/N=40; GALEX M(NUV)=16.72 => texp=37 sec Count rate 936/sec</i>																																																																																																																							
2	RBS1027-1 327.1 (COS.sp.823 810)	(17) RBS1027	COS/FUV, TIME-TAG, PSA	G130M 1327 A	FP-POS=1; BUFFER-TIME=28 01; LIFETIME-POS=L P3			542 Secs (542 Secs) [==>]	[1]																																																																																																														
<i>Comments: Total on-source exposure time 0 sec; SN=11.8 id=COS.sp.823810</i>																																																																																																																							
3	RBS1027-1 327.2 (COS.sp.823 810)	(17) RBS1027	COS/FUV, TIME-TAG, PSA	G130M 1327 A	FP-POS=2; BUFFER-TIME=28 01; LIFETIME-POS=L P3			542 Secs (542 Secs) [==>]	[1]																																																																																																														
<i>Comments: Total on-source exposure time 0 sec; SN=11.8 id=COS.sp.823810</i>																																																																																																																							
4	RBS1027-1 327.3 (COS.sp.823 810)	(17) RBS1027	COS/FUV, TIME-TAG, PSA	G130M 1327 A	FP-POS=3; BUFFER-TIME=28 01; LIFETIME-POS=L P3			542 Secs (542 Secs) [==>]	[1]																																																																																																														
<i>Comments: Total on-source exposure time 0 sec; SN=11.8 id=COS.sp.823810</i>																																																																																																																							
5	RBS1027-1 327.4 (COS.sp.823 810)	(17) RBS1027	COS/FUV, TIME-TAG, PSA	G130M 1327 A	FP-POS=4; BUFFER-TIME=28 01; LIFETIME-POS=L P3			544 Secs (544 Secs) [==>]	[1]																																																																																																														
<i>Comments: Total on-source exposure time 0 sec; SN=11.8 id=COS.sp.823810</i>																																																																																																																							



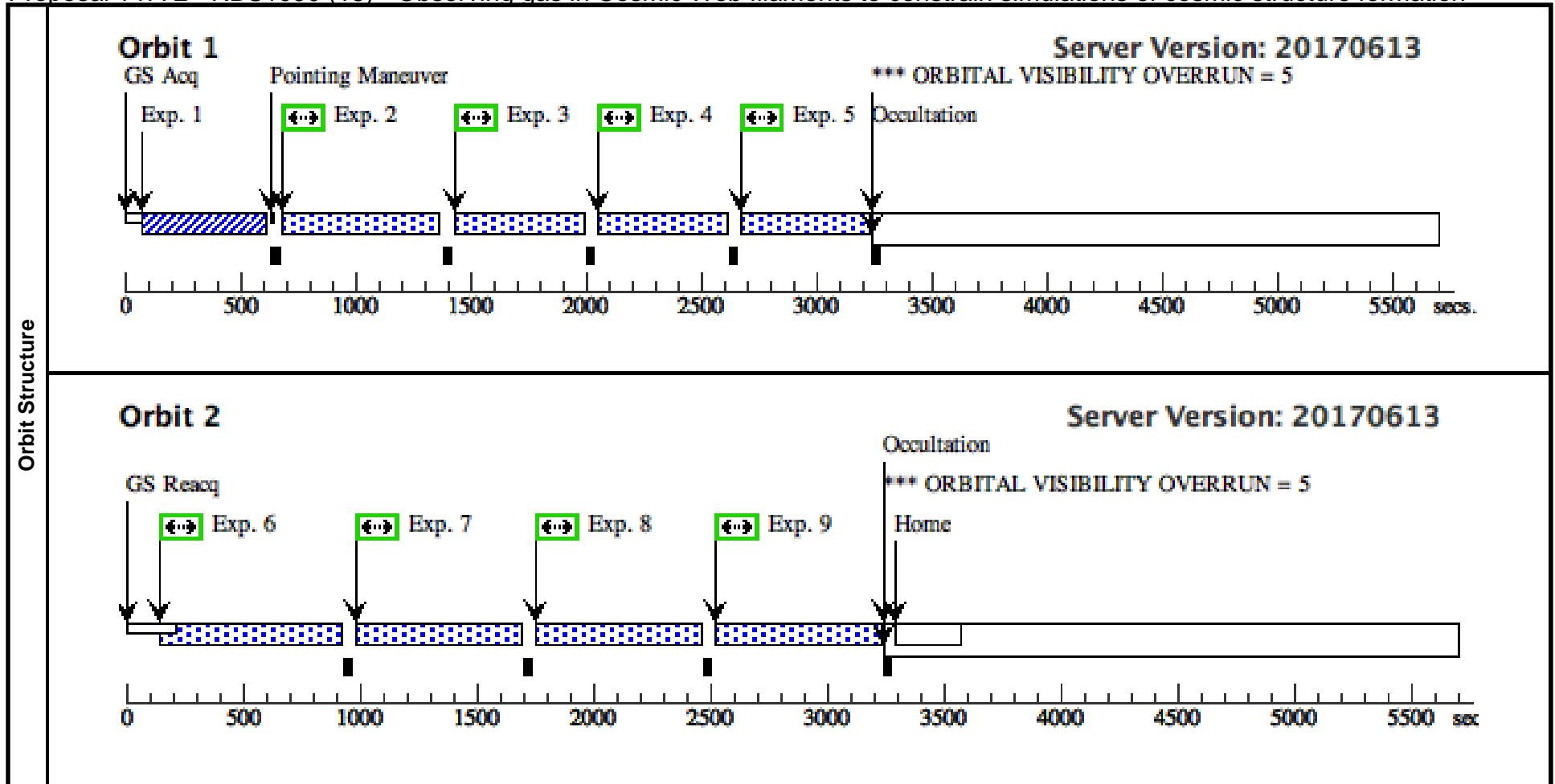
Proposal 14772 - RBS1090 (18) - Observing gas in Cosmic Web filaments to constrain simulations of cosmic structure formation

Mon Sep 18 21:01:50 GMT 2017

Visit	Proposal 14772, RBS1090 (18), completed Diagnostic Status: Error Scientific Instruments: COS/FUV, COS/NUV Special Requirements: (none)						
	Diagnostics	(RBS1090-1327.1 (18.002)) Error (Form): LIFETIME-POS is required with G130M when not in Supported mode. (RBS1090-1327.2 (18.003)) Error (Form): LIFETIME-POS is required with G130M when not in Supported mode. (RBS1090-1327.3 (18.004)) Error (Form): LIFETIME-POS is required with G130M when not in Supported mode. (RBS1090-1327.4 (18.005)) Error (Form): LIFETIME-POS is required with G130M when not in Supported mode. (RBS1090-1300.1 (18.006)) Error (Form): LIFETIME-POS is required with G130M when not in Supported mode. (RBS1090-1300.2 (18.007)) Error (Form): LIFETIME-POS is required with G130M when not in Supported mode. (RBS1090-1300.3 (18.008)) Error (Form): LIFETIME-POS is required with G130M when not in Supported mode. (RBS1090-1300.4 (18.009)) Error (Form): LIFETIME-POS is required with G130M when not in Supported mode. (RBS1090 (18)) Warning (Orbit Planner): ORBITAL VISIBILITY OVERRUN (RBS1090 (18)) Warning (Orbit Planner): ORBITAL VISIBILITY OVERRUN (RBS1090-1327.1 (18.002)) Warning (Form): Defaults for SEGMENT have changed in APT25.2 for use of LP4 with G130M. See full description for details. (RBS1090-1327.2 (18.003)) Warning (Form): Defaults for SEGMENT have changed in APT25.2 for use of LP4 with G130M. See full description for details. (RBS1090-1327.3 (18.004)) Warning (Form): Defaults for SEGMENT have changed in APT25.2 for use of LP4 with G130M. See full description for details. (RBS1090-1327.4 (18.005)) Warning (Form): Defaults for SEGMENT have changed in APT25.2 for use of LP4 with G130M. See full description for details. (RBS1090-1300.1 (18.006)) Warning (Form): Defaults for SEGMENT have changed in APT25.2 for use of LP4 with G130M. See full description for details. (RBS1090-1300.2 (18.007)) Warning (Form): Defaults for SEGMENT have changed in APT25.2 for use of LP4 with G130M. See full description for details. (RBS1090-1300.3 (18.008)) Warning (Form): Defaults for SEGMENT have changed in APT25.2 for use of LP4 with G130M. See full description for details. (RBS1090-1300.4 (18.009)) Warning (Form): Defaults for SEGMENT have changed in APT25.2 for use of LP4 with G130M. See full description for details.					
Fixed Targets		#	Name	Target Coordinates	Targ. Coord. Corrections	Fluxes	Miscellaneous
		(18)	RBS1090	RA: 12 17 21.4100 (184.3392083d) Dec: +30 56 30.60 (30.94183d) Equinox: J2000		V=17.59+/-0.1 F=0.28; z=0.307	Reference Frame: ICRS
		<i>Comments: Extended=NO</i>					

Proposal 14772 - RBS1090 (18) - Observing gas in Cosmic Web filaments to constrain simulations of cosmic structure formation

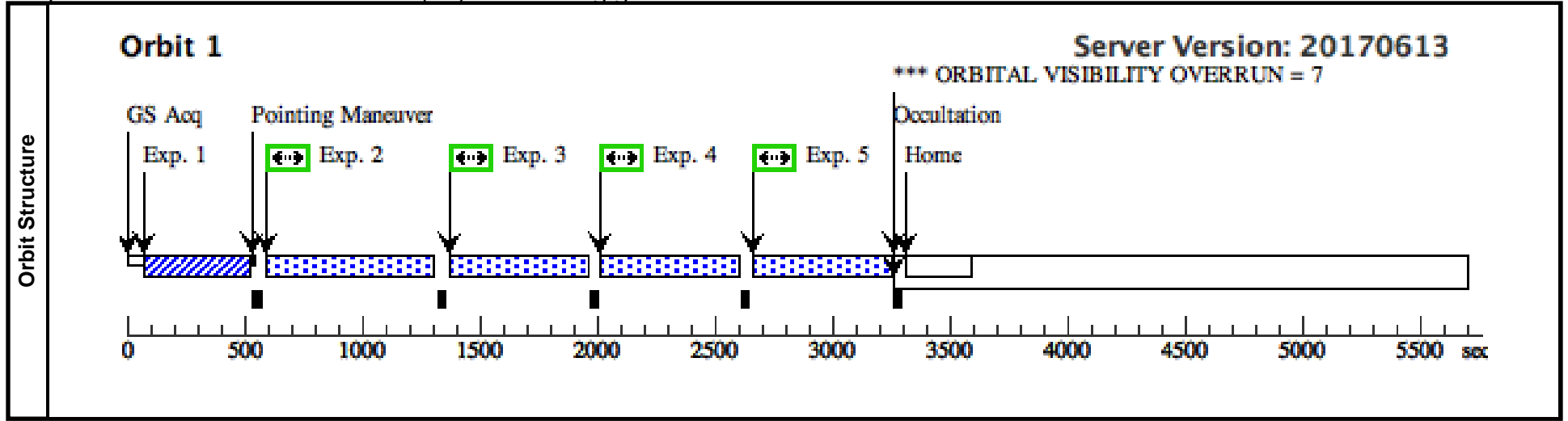
#	Label (ETC Run)	Target	Config,Mode,Aperture	Spectral Els.	Opt. Params.	Special Reqs.	Groups	Exp. Time (Total)/[Actual Dur.]	Orbit	
Exposures	1	RBS1090-A CQ/IMAGE (COS.ta.823 624)	(18) RBS1090	COS/NUV, ACQ/IMAGE, PSA	MIRRORB			113 Secs (113 Secs) [==>]	[1]	
	<i>Comments: NUV acquisition exposure COS ETC result for S/N=40; GALEX M(NUV)=17.93 => texp=113 sec Count rate 893/sec</i>									
	2	RBS1090-1 327.1 (COS.sp.823 811)	(18) RBS1090	COS/FUV, TIME-TAG, PSA	G130M 1327 A	FP-POS=1; BUFFER-TIME=38 26			504 Secs (504 Secs) [==>]	[1]
	<i>Comments: Total on-source exposure time 0 sec; SN=10.5 id=COS.sp.823811</i>									
	3	RBS1090-1 327.2 (COS.sp.823 811)	(18) RBS1090	COS/FUV, TIME-TAG, PSA	G130M 1327 A	FP-POS=2; BUFFER-TIME=38 26			504 Secs (504 Secs) [==>]	[1]
	<i>Comments: Total on-source exposure time 0 sec; SN=10.5 id=COS.sp.823811</i>									
	4	RBS1090-1 327.3 (COS.sp.823 811)	(18) RBS1090	COS/FUV, TIME-TAG, PSA	G130M 1327 A	FP-POS=3; BUFFER-TIME=38 26			504 Secs (504 Secs) [==>]	[1]
	<i>Comments: Total on-source exposure time 0 sec; SN=10.5 id=COS.sp.823811</i>									
	5	RBS1090-1 327.4 (COS.sp.823 811)	(18) RBS1090	COS/FUV, TIME-TAG, PSA	G130M 1327 A	FP-POS=4; BUFFER-TIME=38 26			506 Secs (506 Secs) [==>]	[1]
<i>Comments: Total on-source exposure time 0 sec; SN=10.5 id=COS.sp.823811</i>										
6	RBS1090-1 300.1 (COS.sp.823 811)	(18) RBS1090	COS/FUV, TIME-TAG, PSA	G130M 1300 A	FP-POS=1; BUFFER-TIME=38 26			653 Secs (653 Secs) [==>]	[2]	
<i>Comments: Total on-source exposure time 0 sec; SN=10.5 id=COS.sp.823811</i>										
7	RBS1090-1 300.2 (COS.sp.823 811)	(18) RBS1090	COS/FUV, TIME-TAG, PSA	G130M 1300 A	FP-POS=2; BUFFER-TIME=38 26			653 Secs (653 Secs) [==>]	[2]	
<i>Comments: Total on-source exposure time 0 sec; SN=10.5 id=COS.sp.823811</i>										
8	RBS1090-1 300.3 (COS.sp.823 811)	(18) RBS1090	COS/FUV, TIME-TAG, PSA	G130M 1300 A	FP-POS=3; BUFFER-TIME=38 26			653 Secs (653 Secs) [==>]	[2]	
<i>Comments: Total on-source exposure time 0 sec; SN=10.5 id=COS.sp.823811</i>										
9	RBS1090-1 300.4 (COS.sp.823 811)	(18) RBS1090	COS/FUV, TIME-TAG, PSA	G130M 1300 A	FP-POS=4; BUFFER-TIME=38 26			655 Secs (655 Secs) [==>]	[2]	
<i>Comments: Total on-source exposure time 0 sec; SN=10.5 id=COS.sp.823811</i>										



Proposal 14772 - RXJ1054.2+3511 (19) - Observing gas in Cosmic Web filaments to constrain simulations of cosmic structure formation

Mon Sep 18 21:01:50 GMT 2017

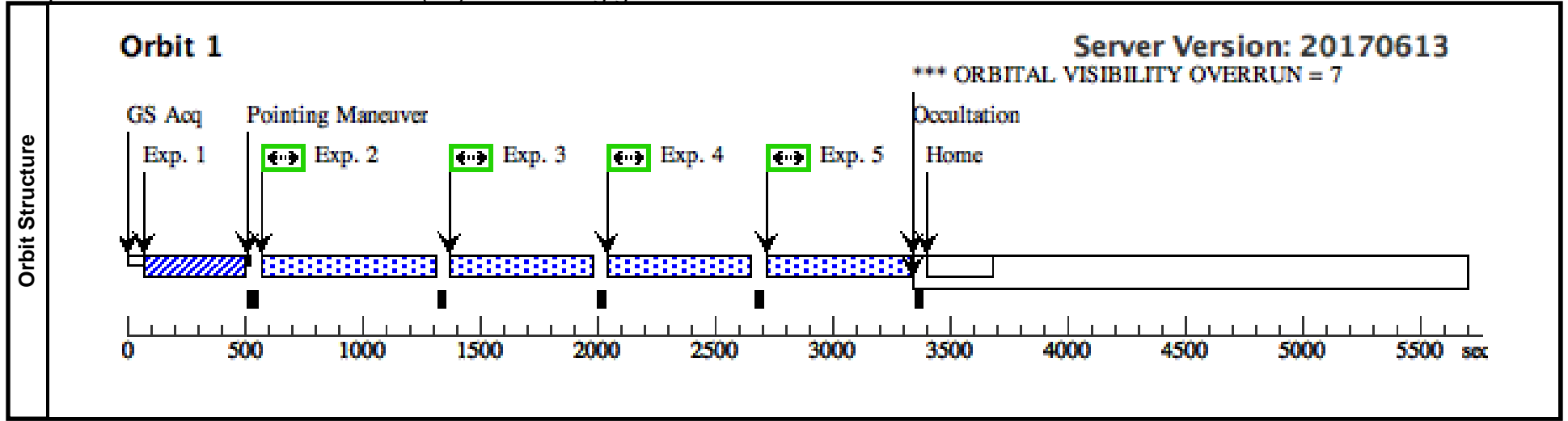
Visit	Proposal 14772, RXJ1054.2+3511 (19), completed Diagnostic Status: Error Scientific Instruments: COS/FUV, COS/NUV Special Requirements: (none)										
	Diagnostics	(RXJ1054.2+3511-1327.1 (19.002)) Error (Form): LIFETIME-POS is required with G130M when not in Supported mode. (RXJ1054.2+3511-1327.2 (19.003)) Error (Form): LIFETIME-POS is required with G130M when not in Supported mode. (RXJ1054.2+3511-1327.3 (19.004)) Error (Form): LIFETIME-POS is required with G130M when not in Supported mode. (RXJ1054.2+3511-1327.4 (19.005)) Error (Form): LIFETIME-POS is required with G130M when not in Supported mode. (RXJ1054.2+3511 (19)) Warning (Orbit Planner): ORBITAL VISIBILITY OVERRUN (RXJ1054.2+3511-1327.1 (19.002)) Warning (Form): Defaults for SEGMENT have changed in APT25.2 for use of LP4 with G130M. See full description for details. (RXJ1054.2+3511-1327.2 (19.003)) Warning (Form): Defaults for SEGMENT have changed in APT25.2 for use of LP4 with G130M. See full description for details. (RXJ1054.2+3511-1327.3 (19.004)) Warning (Form): Defaults for SEGMENT have changed in APT25.2 for use of LP4 with G130M. See full description for details. (RXJ1054.2+3511-1327.4 (19.005)) Warning (Form): Defaults for SEGMENT have changed in APT25.2 for use of LP4 with G130M. See full description for details.									
Fixed Targets		#	Name	Target Coordinates	Targ. Coord. Corrections	Fluxes	Miscellaneous				
	(19)	RXJ1054.2+3511	RA: 10 54 16.1900 (163.5674583d) Dec: +35 11 24.20 (35.19006d) Equinox: J2000		V=17.08+/-0.1 F=0.56; z=0.203	Reference Frame: ICRS					
<i>Comments: Extended=NO</i>											
Exposures	#	Label (ETC Run)	Target	Config,Mode,Aperture	Spectral Els.	Opt. Params.	Special Reqs.	Groups	Exp. Time (Total)/[Actual Dur.]	Orbit	
	1	RXJ1054.2+3511-ACQ/I1 MAGE (COS.ta.823 584)	(19) RXJ1054.2+3511	COS/NUV, ACQ/IMAGE, PSA	MIRRORB				67 Secs (67 Secs) [==>]	[1]	
	<i>Comments: NUV acquisition exposure COS ETC result for S/N=40; GALEX M(NUV)=17.37 => texp=67 sec Count rate 906/sec</i>										
	2	RXJ1054.2+3511-1327.1 1 (COS.sp.823 812)	(19) RXJ1054.2+3511	COS/FUV, TIME-TAG, PSA	G130M 1327 A	FP-POS=1; BUFFER-TIME=31 29			533 Secs (533 Secs) [==>]	[1]	
	<i>Comments: Total on-source exposure time 0 sec; SN=10.1 id=COS.sp.823812</i>										
	3	RXJ1054.2+3511-1327.2 1 (COS.sp.823 812)	(19) RXJ1054.2+3511	COS/FUV, TIME-TAG, PSA	G130M 1327 A	FP-POS=2; BUFFER-TIME=31 29			533 Secs (533 Secs) [==>]	[1]	
	<i>Comments: Total on-source exposure time 0 sec; SN=10.1 id=COS.sp.823812</i>										
4	RXJ1054.2+3511-1327.3 1 (COS.sp.823 812)	(19) RXJ1054.2+3511	COS/FUV, TIME-TAG, PSA	G130M 1327 A	FP-POS=3; BUFFER-TIME=31 29			533 Secs (533 Secs) [==>]	[1]		
<i>Comments: Total on-source exposure time 0 sec; SN=10.1 id=COS.sp.823812</i>											
5	RXJ1054.2+3511-1327.4 1 (COS.sp.823 812)	(19) RXJ1054.2+3511	COS/FUV, TIME-TAG, PSA	G130M 1327 A	FP-POS=4; BUFFER-TIME=31 29			533 Secs (533 Secs) [==>]	[1]		
<i>Comments: Total on-source exposure time 0 sec; SN=10.1 id=COS.sp.823812</i>											



Proposal 14772 - RXJ1119.2+4824 (20) - Observing gas in Cosmic Web filaments to constrain simulations of cosmic structure formation

Mon Sep 18 21:01:50 GMT 2017

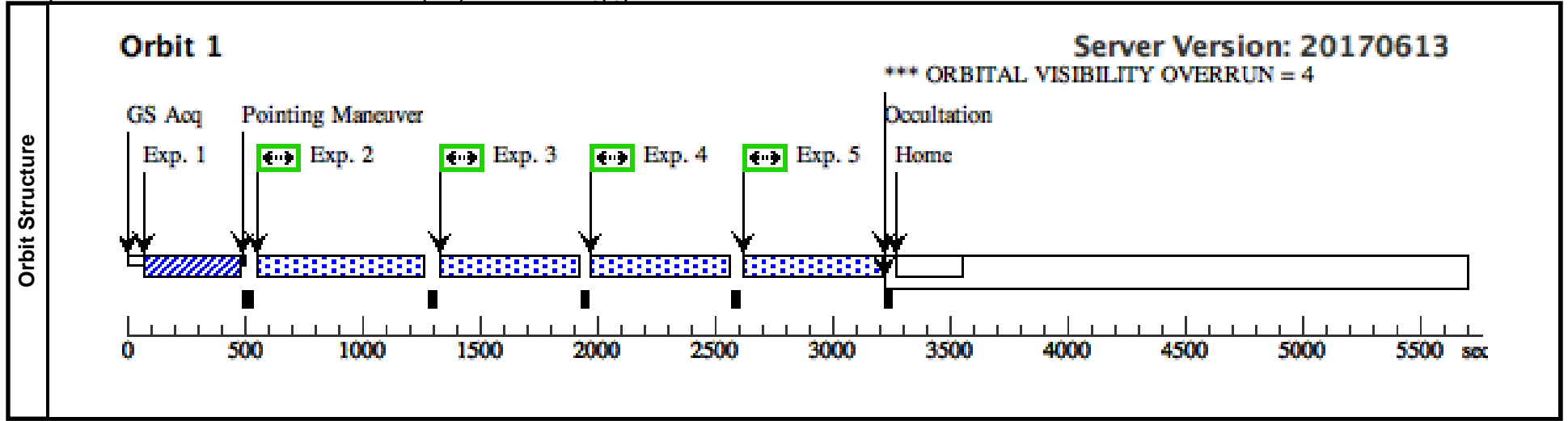
Visit	Proposal 14772, RXJ1119.2+4824 (20), completed Diagnostic Status: Error Scientific Instruments: COS/FUV, COS/NUV Special Requirements: (none)																																																																																																																							
Diagnostics	(RXJ1119.2+4824-1327.1 (20.002)) Error (Form): LIFETIME-POS is required with G130M when not in Supported mode. (RXJ1119.2+4824-1327.2 (20.003)) Error (Form): LIFETIME-POS is required with G130M when not in Supported mode. (RXJ1119.2+4824-1327.3 (20.004)) Error (Form): LIFETIME-POS is required with G130M when not in Supported mode. (RXJ1119.2+4824-1327.4 (20.005)) Error (Form): LIFETIME-POS is required with G130M when not in Supported mode. (RXJ1119.2+4824 (20)) Warning (Orbit Planner): ORBITAL VISIBILITY OVERRUN (RXJ1119.2+4824-1327.1 (20.002)) Warning (Form): Defaults for SEGMENT have changed in APT25.2 for use of LP4 with G130M. See full description for details. (RXJ1119.2+4824-1327.2 (20.003)) Warning (Form): Defaults for SEGMENT have changed in APT25.2 for use of LP4 with G130M. See full description for details. (RXJ1119.2+4824-1327.3 (20.004)) Warning (Form): Defaults for SEGMENT have changed in APT25.2 for use of LP4 with G130M. See full description for details. (RXJ1119.2+4824-1327.4 (20.005)) Warning (Form): Defaults for SEGMENT have changed in APT25.2 for use of LP4 with G130M. See full description for details.																																																																																																																							
Fixed Targets	<table border="1"> <thead> <tr> <th>#</th> <th>Name</th> <th>Target Coordinates</th> <th>Targ. Coord. Corrections</th> <th>Fluxes</th> <th>Miscellaneous</th> </tr> </thead> <tbody> <tr> <td>(20)</td> <td>RXJ1119.2+4824</td> <td>RA: 11 19 15.1100 (169.8129583d) Dec: +48 23 57.20 (48.39922d) Equinox: J2000</td> <td></td> <td>V=17.17+/-0.1 F=0.47; z=0.437</td> <td>Reference Frame: ICRS</td> </tr> </tbody> </table> <p>Comments: Extended=NO</p>										#	Name	Target Coordinates	Targ. Coord. Corrections	Fluxes	Miscellaneous	(20)	RXJ1119.2+4824	RA: 11 19 15.1100 (169.8129583d) Dec: +48 23 57.20 (48.39922d) Equinox: J2000		V=17.17+/-0.1 F=0.47; z=0.437	Reference Frame: ICRS																																																																																																		
#	Name	Target Coordinates	Targ. Coord. Corrections	Fluxes	Miscellaneous																																																																																																																			
(20)	RXJ1119.2+4824	RA: 11 19 15.1100 (169.8129583d) Dec: +48 23 57.20 (48.39922d) Equinox: J2000		V=17.17+/-0.1 F=0.47; z=0.437	Reference Frame: ICRS																																																																																																																			
Exposures	<table border="1"> <thead> <tr> <th>#</th> <th>Label (ETC Run)</th> <th>Target</th> <th>Config,Mode,Aperture</th> <th>Spectral Els.</th> <th>Opt. Params.</th> <th>Special Reqs.</th> <th>Groups</th> <th>Exp. Time (Total)/[Actual Dur.]</th> <th>Orbit</th> </tr> </thead> <tbody> <tr> <td>1</td> <td>RXJ1119.2+4824-ACQ/I MAGE (COS.ta.823 599)</td> <td>(20) RXJ1119.2+4824</td> <td>COS/NUV, ACQ/IMAGE, PSA 4</td> <td>MIRRORB</td> <td></td> <td></td> <td></td> <td>56 Secs (56 Secs) [==>]</td> <td>[1]</td> </tr> <tr> <td colspan="10">Comments: NUV acquisition exposure COS ETC result for S/N=40; GALEX M(NUV)=17.17 => texp=56 sec Count rate 914/sec</td> </tr> <tr> <td>2</td> <td>RXJ1119.2+4824-1327.1 (COS.sp.823 813)</td> <td>(20) RXJ1119.2+4824</td> <td>COS/FUV, TIME-TAG, PSA 4</td> <td>G130M 1327 A</td> <td>FP-POS=1; BUFFER-TIME=33 24</td> <td></td> <td></td> <td>559 Secs (559 Secs) [==>]</td> <td>[1]</td> </tr> <tr> <td colspan="10">Comments: Total on-source exposure time 0 sec; SN=9.5 id=COS.sp.823813</td> </tr> <tr> <td>3</td> <td>RXJ1119.2+4824-1327.2 (COS.sp.823 813)</td> <td>(20) RXJ1119.2+4824</td> <td>COS/FUV, TIME-TAG, PSA 4</td> <td>G130M 1327 A</td> <td>FP-POS=2; BUFFER-TIME=33 24</td> <td></td> <td></td> <td>559 Secs (559 Secs) [==>]</td> <td>[1]</td> </tr> <tr> <td colspan="10">Comments: Total on-source exposure time 0 sec; SN=9.5 id=COS.sp.823813</td> </tr> <tr> <td>4</td> <td>RXJ1119.2+4824-1327.3 (COS.sp.823 813)</td> <td>(20) RXJ1119.2+4824</td> <td>COS/FUV, TIME-TAG, PSA 4</td> <td>G130M 1327 A</td> <td>FP-POS=3; BUFFER-TIME=33 24</td> <td></td> <td></td> <td>559 Secs (559 Secs) [==>]</td> <td>[1]</td> </tr> <tr> <td colspan="10">Comments: Total on-source exposure time 0 sec; SN=9.5 id=COS.sp.823813</td> </tr> <tr> <td>5</td> <td>RXJ1119.2+4824-1327.4 (COS.sp.823 813)</td> <td>(20) RXJ1119.2+4824</td> <td>COS/FUV, TIME-TAG, PSA 4</td> <td>G130M 1327 A</td> <td>FP-POS=4; BUFFER-TIME=33 24</td> <td></td> <td></td> <td>562 Secs (562 Secs) [==>]</td> <td>[1]</td> </tr> <tr> <td colspan="10">Comments: Total on-source exposure time 0 sec; SN=9.5 id=COS.sp.823813</td> </tr> </tbody> </table>										#	Label (ETC Run)	Target	Config,Mode,Aperture	Spectral Els.	Opt. Params.	Special Reqs.	Groups	Exp. Time (Total)/[Actual Dur.]	Orbit	1	RXJ1119.2+4824-ACQ/I MAGE (COS.ta.823 599)	(20) RXJ1119.2+4824	COS/NUV, ACQ/IMAGE, PSA 4	MIRRORB				56 Secs (56 Secs) [==>]	[1]	Comments: NUV acquisition exposure COS ETC result for S/N=40; GALEX M(NUV)=17.17 => texp=56 sec Count rate 914/sec										2	RXJ1119.2+4824-1327.1 (COS.sp.823 813)	(20) RXJ1119.2+4824	COS/FUV, TIME-TAG, PSA 4	G130M 1327 A	FP-POS=1; BUFFER-TIME=33 24			559 Secs (559 Secs) [==>]	[1]	Comments: Total on-source exposure time 0 sec; SN=9.5 id=COS.sp.823813										3	RXJ1119.2+4824-1327.2 (COS.sp.823 813)	(20) RXJ1119.2+4824	COS/FUV, TIME-TAG, PSA 4	G130M 1327 A	FP-POS=2; BUFFER-TIME=33 24			559 Secs (559 Secs) [==>]	[1]	Comments: Total on-source exposure time 0 sec; SN=9.5 id=COS.sp.823813										4	RXJ1119.2+4824-1327.3 (COS.sp.823 813)	(20) RXJ1119.2+4824	COS/FUV, TIME-TAG, PSA 4	G130M 1327 A	FP-POS=3; BUFFER-TIME=33 24			559 Secs (559 Secs) [==>]	[1]	Comments: Total on-source exposure time 0 sec; SN=9.5 id=COS.sp.823813										5	RXJ1119.2+4824-1327.4 (COS.sp.823 813)	(20) RXJ1119.2+4824	COS/FUV, TIME-TAG, PSA 4	G130M 1327 A	FP-POS=4; BUFFER-TIME=33 24			562 Secs (562 Secs) [==>]	[1]	Comments: Total on-source exposure time 0 sec; SN=9.5 id=COS.sp.823813									
#	Label (ETC Run)	Target	Config,Mode,Aperture	Spectral Els.	Opt. Params.	Special Reqs.	Groups	Exp. Time (Total)/[Actual Dur.]	Orbit																																																																																																															
1	RXJ1119.2+4824-ACQ/I MAGE (COS.ta.823 599)	(20) RXJ1119.2+4824	COS/NUV, ACQ/IMAGE, PSA 4	MIRRORB				56 Secs (56 Secs) [==>]	[1]																																																																																																															
Comments: NUV acquisition exposure COS ETC result for S/N=40; GALEX M(NUV)=17.17 => texp=56 sec Count rate 914/sec																																																																																																																								
2	RXJ1119.2+4824-1327.1 (COS.sp.823 813)	(20) RXJ1119.2+4824	COS/FUV, TIME-TAG, PSA 4	G130M 1327 A	FP-POS=1; BUFFER-TIME=33 24			559 Secs (559 Secs) [==>]	[1]																																																																																																															
Comments: Total on-source exposure time 0 sec; SN=9.5 id=COS.sp.823813																																																																																																																								
3	RXJ1119.2+4824-1327.2 (COS.sp.823 813)	(20) RXJ1119.2+4824	COS/FUV, TIME-TAG, PSA 4	G130M 1327 A	FP-POS=2; BUFFER-TIME=33 24			559 Secs (559 Secs) [==>]	[1]																																																																																																															
Comments: Total on-source exposure time 0 sec; SN=9.5 id=COS.sp.823813																																																																																																																								
4	RXJ1119.2+4824-1327.3 (COS.sp.823 813)	(20) RXJ1119.2+4824	COS/FUV, TIME-TAG, PSA 4	G130M 1327 A	FP-POS=3; BUFFER-TIME=33 24			559 Secs (559 Secs) [==>]	[1]																																																																																																															
Comments: Total on-source exposure time 0 sec; SN=9.5 id=COS.sp.823813																																																																																																																								
5	RXJ1119.2+4824-1327.4 (COS.sp.823 813)	(20) RXJ1119.2+4824	COS/FUV, TIME-TAG, PSA 4	G130M 1327 A	FP-POS=4; BUFFER-TIME=33 24			562 Secs (562 Secs) [==>]	[1]																																																																																																															
Comments: Total on-source exposure time 0 sec; SN=9.5 id=COS.sp.823813																																																																																																																								



Proposal 14772 - RXJ1125.0+2513 (21) - Observing gas in Cosmic Web filaments to constrain simulations of cosmic structure formation

Mon Sep 18 21:01:50 GMT 2017

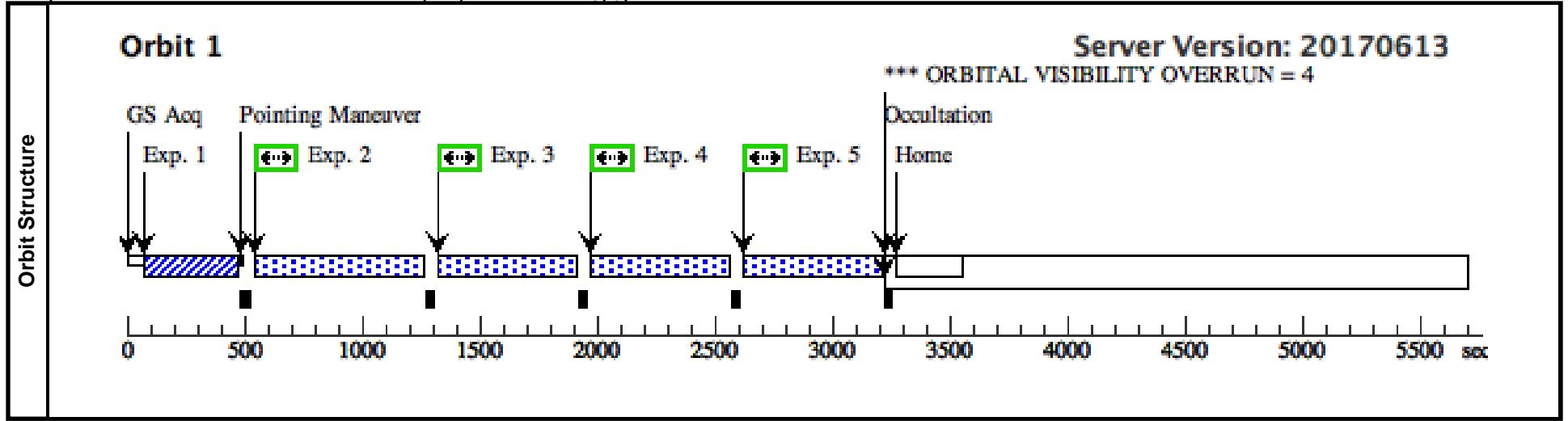
Visit	Proposal 14772, RXJ1125.0+2513 (21), completed Diagnostic Status: Error Scientific Instruments: COS/FUV, COS/NUV Special Requirements: (none)										
	(RXJ1125.0+2513-1327.1 (21.002)) Error (Form): LIFETIME-POS is required with G130M when not in Supported mode. (RXJ1125.0+2513-1327.2 (21.003)) Error (Form): LIFETIME-POS is required with G130M when not in Supported mode. (RXJ1125.0+2513-1327.3 (21.004)) Error (Form): LIFETIME-POS is required with G130M when not in Supported mode. (RXJ1125.0+2513-1327.4 (21.005)) Error (Form): LIFETIME-POS is required with G130M when not in Supported mode. (RXJ1125.0+2513 (21)) Warning (Orbit Planner): ORBITAL VISIBILITY OVERRUN (RXJ1125.0+2513-1327.1 (21.002)) Warning (Form): Defaults for SEGMENT have changed in APT25.2 for use of LP4 with G130M. See full description for details. (RXJ1125.0+2513-1327.2 (21.003)) Warning (Form): Defaults for SEGMENT have changed in APT25.2 for use of LP4 with G130M. See full description for details. (RXJ1125.0+2513-1327.3 (21.004)) Warning (Form): Defaults for SEGMENT have changed in APT25.2 for use of LP4 with G130M. See full description for details. (RXJ1125.0+2513-1327.4 (21.005)) Warning (Form): Defaults for SEGMENT have changed in APT25.2 for use of LP4 with G130M. See full description for details.										
Fixed Targets	#	Name	Target Coordinates	Targ. Coord. Corrections	Fluxes	Miscellaneous					
	(21)	RXJ1125.0+2513	RA: 11 25 3.6900 (171.2653750d) Dec: +25 13 2.40 (25.21733d) Equinox: J2000		V=17.48+/-0.1 F=0.58; z=0.271	Reference Frame: ICRS					
<i>Comments: Extended=NO</i>											
Exposures	#	Label (ETC Run)	Target	Config,Mode,Aperture	Spectral Els.	Opt. Params.	Special Reqs.	Groups	Exp. Time (Total)/[Actual Dur.]	Orbit	
	1	RXJ1125.0+2513-ACQ/I MAGE (COS.ta.823 600)	(21) RXJ1125.0+2513	COS/NUV, ACQ/IMAGE, PSA	MIRRORB				47 Secs (47 Secs) [==>]	[1]	
	<i>Comments: NUV acquisition exposure COS ETC result for S/N=40; GALEX M(NUV)=16.98 => texp=47 sec Count rate 922/sec</i>										
	2	RXJ1125.0+2513-1327.1 (COS.sp.823 814)	(21) RXJ1125.0+2513	COS/FUV, TIME-TAG, PSA	G130M 1327 A	FP-POS=1; BUFFER-TIME=30 89				533 Secs (533 Secs) [==>]	[1]
	<i>Comments: Total on-source exposure time 0 sec; SN=10.3 id=COS.sp.823814</i>										
	3	RXJ1125.0+2513-1327.2 (COS.sp.823 814)	(21) RXJ1125.0+2513	COS/FUV, TIME-TAG, PSA	G130M 1327 A	FP-POS=2; BUFFER-TIME=30 89				533 Secs (533 Secs) [==>]	[1]
<i>Comments: Total on-source exposure time 0 sec; SN=10.3 id=COS.sp.823814</i>											
4	RXJ1125.0+2513-1327.3 (COS.sp.823 814)	(21) RXJ1125.0+2513	COS/FUV, TIME-TAG, PSA	G130M 1327 A	FP-POS=3; BUFFER-TIME=30 89				533 Secs (533 Secs) [==>]	[1]	
<i>Comments: Total on-source exposure time 0 sec; SN=10.3 id=COS.sp.823814</i>											
5	RXJ1125.0+2513-1327.4 (COS.sp.823 814)	(21) RXJ1125.0+2513	COS/FUV, TIME-TAG, PSA	G130M 1327 A	FP-POS=4; BUFFER-TIME=30 89				535 Secs (535 Secs) [==>]	[1]	
<i>Comments: Total on-source exposure time 0 sec; SN=10.3 id=COS.sp.823814</i>											



Proposal 14772 - RXJ1131.1+2632 (22) - Observing gas in Cosmic Web filaments to constrain simulations of cosmic structure formation

Mon Sep 18 21:01:50 GMT 2017

Visit	Proposal 14772, RXJ1131.1+2632 (22), implementation Diagnostic Status: Warning Scientific Instruments: COS/FUV, COS/NUV Special Requirements: (none)										
	(RXJ1131.1+2632 (22)) Warning (Orbit Planner): ORBITAL VISIBILITY OVERRUN										
Fixed Targets	#	Name	Target Coordinates	Targ. Coord. Corrections	Fluxes	Miscellaneous					
	(22)	RXJ1131.1+2632	RA: 11 31 9.2500 (172.7885417d) Dec: +26 32 7.90 (26.53553d) Equinox: J2000		V=16.96+/-0.1 F=0.85; z=0.244	Reference Frame: ICRS					
Comments: Extended=NO											
Exposures	#	Label (ETC Run)	Target	Config,Mode,Aperture	Spectral Els.	Opt. Params.	Special Reqs.	Groups	Exp. Time (Total)/[Actual Dur.]	Orbit	
	1	RXJ1131.1+2632-ACQ/1 MAGE (COS.ta.823 601)	(22) RXJ1131.1+263	COS/NUV, ACQ/IMAGE, PSA	MIRRORB				42 Secs (42 Secs) [==>]	[1]	
	Comments: NUV acquisition exposure COS ETC result for S/N=40; GALEX M(NUV)=16.85 => texp=42 sec Count rate 929/sec										
	2	RXJ1131.1+2632-1327.1 (COS.sp.823 815)	(22) RXJ1131.1+263	COS/FUV, TIME-TAG, PSA	G130M 1327 A	FP-POS=1; BUFFER-TIME=26 32; LIFETIME-POS=L P3				536 Secs (536 Secs) [==>]	[1]
	Comments: Total on-source exposure time 0 sec; SN=12.5 id=COS.sp.823815										
	3	RXJ1131.1+2632-1327.2 (COS.sp.823 815)	(22) RXJ1131.1+263	COS/FUV, TIME-TAG, PSA	G130M 1327 A	FP-POS=2; BUFFER-TIME=26 32; LIFETIME-POS=L P3				536 Secs (536 Secs) [==>]	[1]
Comments: Total on-source exposure time 0 sec; SN=12.5 id=COS.sp.823815											
4	RXJ1131.1+2632-1327.3 (COS.sp.823 815)	(22) RXJ1131.1+263	COS/FUV, TIME-TAG, PSA	G130M 1327 A	FP-POS=3; BUFFER-TIME=26 32; LIFETIME-POS=L P3				536 Secs (536 Secs) [==>]	[1]	
Comments: Total on-source exposure time 0 sec; SN=12.5 id=COS.sp.823815											
5	RXJ1131.1+2632-1327.4 (COS.sp.823 815)	(22) RXJ1131.1+263	COS/FUV, TIME-TAG, PSA	G130M 1327 A	FP-POS=4; BUFFER-TIME=26 32; LIFETIME-POS=L P3				536 Secs (536 Secs) [==>]	[1]	
Comments: Total on-source exposure time 0 sec; SN=12.5 id=COS.sp.823815											



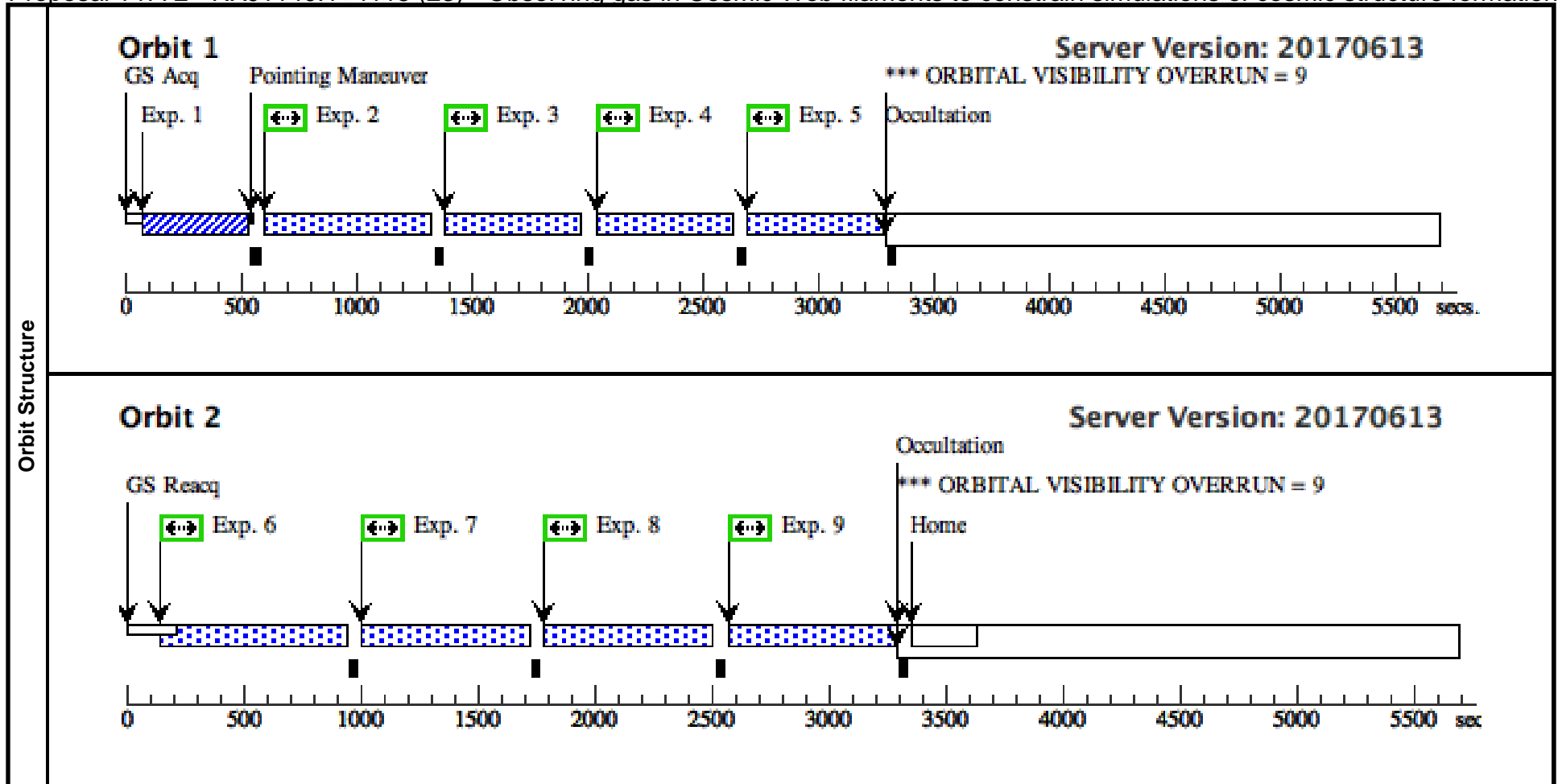
Proposal 14772 - RXJ1140.1+4115 (23) - Observing gas in Cosmic Web filaments to constrain simulations of cosmic structure formation

Mon Sep 18 21:01:50 GMT 2017

Visit	<p>Proposal 14772, RXJ1140.1+4115 (23), completed</p> <p>Diagnostic Status: Error</p> <p>Scientific Instruments: COS/FUV, COS/NUV</p> <p>Special Requirements: (none)</p>					
	Diagnostics	<p>(RXJ1140.1+4115-1327.1 (23.002)) Error (Form): LIFETIME-POS is required with G130M when not in Supported mode.</p> <p>(RXJ1140.1+4115-1327.2 (23.003)) Error (Form): LIFETIME-POS is required with G130M when not in Supported mode.</p> <p>(RXJ1140.1+4115-1327.3 (23.004)) Error (Form): LIFETIME-POS is required with G130M when not in Supported mode.</p> <p>(RXJ1140.1+4115-1327.4 (23.005)) Error (Form): LIFETIME-POS is required with G130M when not in Supported mode.</p> <p>(RXJ1140.1+4115-1300.1 (23.006)) Error (Form): LIFETIME-POS is required with G130M when not in Supported mode.</p> <p>(RXJ1140.1+4115-1300.2 (23.007)) Error (Form): LIFETIME-POS is required with G130M when not in Supported mode.</p> <p>(RXJ1140.1+4115-1300.3 (23.008)) Error (Form): LIFETIME-POS is required with G130M when not in Supported mode.</p> <p>(RXJ1140.1+4115-1300.4 (23.009)) Error (Form): LIFETIME-POS is required with G130M when not in Supported mode.</p> <p>(RXJ1140.1+4115 (23)) Warning (Orbit Planner): ORBITAL VISIBILITY OVERRUN</p> <p>(RXJ1140.1+4115 (23)) Warning (Orbit Planner): ORBITAL VISIBILITY OVERRUN</p> <p>(RXJ1140.1+4115-1327.1 (23.002)) Warning (Form): Defaults for SEGMENT have changed in APT25.2 for use of LP4 with G130M. See full description for details.</p> <p>(RXJ1140.1+4115-1327.2 (23.003)) Warning (Form): Defaults for SEGMENT have changed in APT25.2 for use of LP4 with G130M. See full description for details.</p> <p>(RXJ1140.1+4115-1327.3 (23.004)) Warning (Form): Defaults for SEGMENT have changed in APT25.2 for use of LP4 with G130M. See full description for details.</p> <p>(RXJ1140.1+4115-1327.4 (23.005)) Warning (Form): Defaults for SEGMENT have changed in APT25.2 for use of LP4 with G130M. See full description for details.</p> <p>(RXJ1140.1+4115-1300.1 (23.006)) Warning (Form): Defaults for SEGMENT have changed in APT25.2 for use of LP4 with G130M. See full description for details.</p> <p>(RXJ1140.1+4115-1300.2 (23.007)) Warning (Form): Defaults for SEGMENT have changed in APT25.2 for use of LP4 with G130M. See full description for details.</p> <p>(RXJ1140.1+4115-1300.3 (23.008)) Warning (Form): Defaults for SEGMENT have changed in APT25.2 for use of LP4 with G130M. See full description for details.</p> <p>(RXJ1140.1+4115-1300.4 (23.009)) Warning (Form): Defaults for SEGMENT have changed in APT25.2 for use of LP4 with G130M. See full description for details.</p>				
Fixed Targets		#	Name	Target Coordinates	Targ. Coord. Corrections	Fluxes
	(23)	RXJ1140.1+4115	RA: 11 40 3.4000 (175.0141667d) Dec: +41 15 3.50 (41.25097d) Equinox: J2000		V=16.88+/-0.1 F=0.34; z=0.072	Reference Frame: ICRS
<p><i>Comments: Extended=NO</i></p>						

Proposal 14772 - RXJ1140.1+4115 (23) - Observing gas in Cosmic Web filaments to constrain simulations of cosmic structure formation

#	Label (ETC Run)	Target	Config,Mode,Aperture	Spectral Els.	Opt. Params.	Special Reqs.	Groups	Exp. Time (Total)/[Actual Dur.]	Orbit
Exposures	1	RXJ1140.1+ 4115-ACQ/I MAGE (COS.ta.823 602)	(23) RXJ1140.1+411 COS/NUV, ACQ/IMAGE, PSA	MIRRORB				72 Secs (72 Secs) [==>]	[1]
	<i>Comments: NUV acquisition exposure COS ETC result for S/N=40; GALEX M(NUV)=17.45 => texp=72 sec Count rate 904/sec</i>								
	2	RXJ1140.1+ 4115-1327.1 (COS.sp.823 816)	(23) RXJ1140.1+411 COS/FUV, TIME-TAG, PSA	G130M 1327 A	FP-POS=1; BUFFER-TIME=36 52			540 Secs (540 Secs) [==>]	[1]
	<i>Comments: Total on-source exposure time 0 sec; SN=11.8 id=COS.sp.823816</i>								
	3	RXJ1140.1+ 4115-1327.2 (COS.sp.823 816)	(23) RXJ1140.1+411 COS/FUV, TIME-TAG, PSA	G130M 1327 A	FP-POS=2; BUFFER-TIME=36 52			540 Secs (540 Secs) [==>]	[1]
	<i>Comments: Total on-source exposure time 0 sec; SN=11.8 id=COS.sp.823816</i>								
	4	RXJ1140.1+ 4115-1327.3 (COS.sp.823 816)	(23) RXJ1140.1+411 COS/FUV, TIME-TAG, PSA	G130M 1327 A	FP-POS=3; BUFFER-TIME=36 52			540 Secs (540 Secs) [==>]	[1]
	<i>Comments: Total on-source exposure time 0 sec; SN=11.8 id=COS.sp.823816</i>								
	5	RXJ1140.1+ 4115-1327.4 (COS.sp.823 816)	(23) RXJ1140.1+411 COS/FUV, TIME-TAG, PSA	G130M 1327 A	FP-POS=4; BUFFER-TIME=36 52			542 Secs (542 Secs) [==>]	[1]
<i>Comments: Total on-source exposure time 0 sec; SN=11.8 id=COS.sp.823816</i>									
6	RXJ1140.1+ 4115-1300.1 (COS.sp.823 816)	(23) RXJ1140.1+411 COS/FUV, TIME-TAG, PSA	G130M 1300 A	FP-POS=1; BUFFER-TIME=36 52			669 Secs (669 Secs) [==>]	[2]	
<i>Comments: Total on-source exposure time 0 sec; SN=11.8 id=COS.sp.823816</i>									
7	RXJ1140.1+ 4115-1300.2 (COS.sp.823 816)	(23) RXJ1140.1+411 COS/FUV, TIME-TAG, PSA	G130M 1300 A	FP-POS=2; BUFFER-TIME=36 52			669 Secs (669 Secs) [==>]	[2]	
<i>Comments: Total on-source exposure time 0 sec; SN=11.8 id=COS.sp.823816</i>									
8	RXJ1140.1+ 4115-1300.3 (COS.sp.823 816)	(23) RXJ1140.1+411 COS/FUV, TIME-TAG, PSA	G130M 1300 A	FP-POS=3; BUFFER-TIME=36 52			669 Secs (669 Secs) [==>]	[2]	
<i>Comments: Total on-source exposure time 0 sec; SN=11.8 id=COS.sp.823816</i>									
9	RXJ1140.1+ 4115-1300.4 (COS.sp.823 816)	(23) RXJ1140.1+411 COS/FUV, TIME-TAG, PSA	G130M 1300 A	FP-POS=4; BUFFER-TIME=36 52			669 Secs (669 Secs) [==>]	[2]	
<i>Comments: Total on-source exposure time 0 sec; SN=11.8 id=COS.sp.823816</i>									



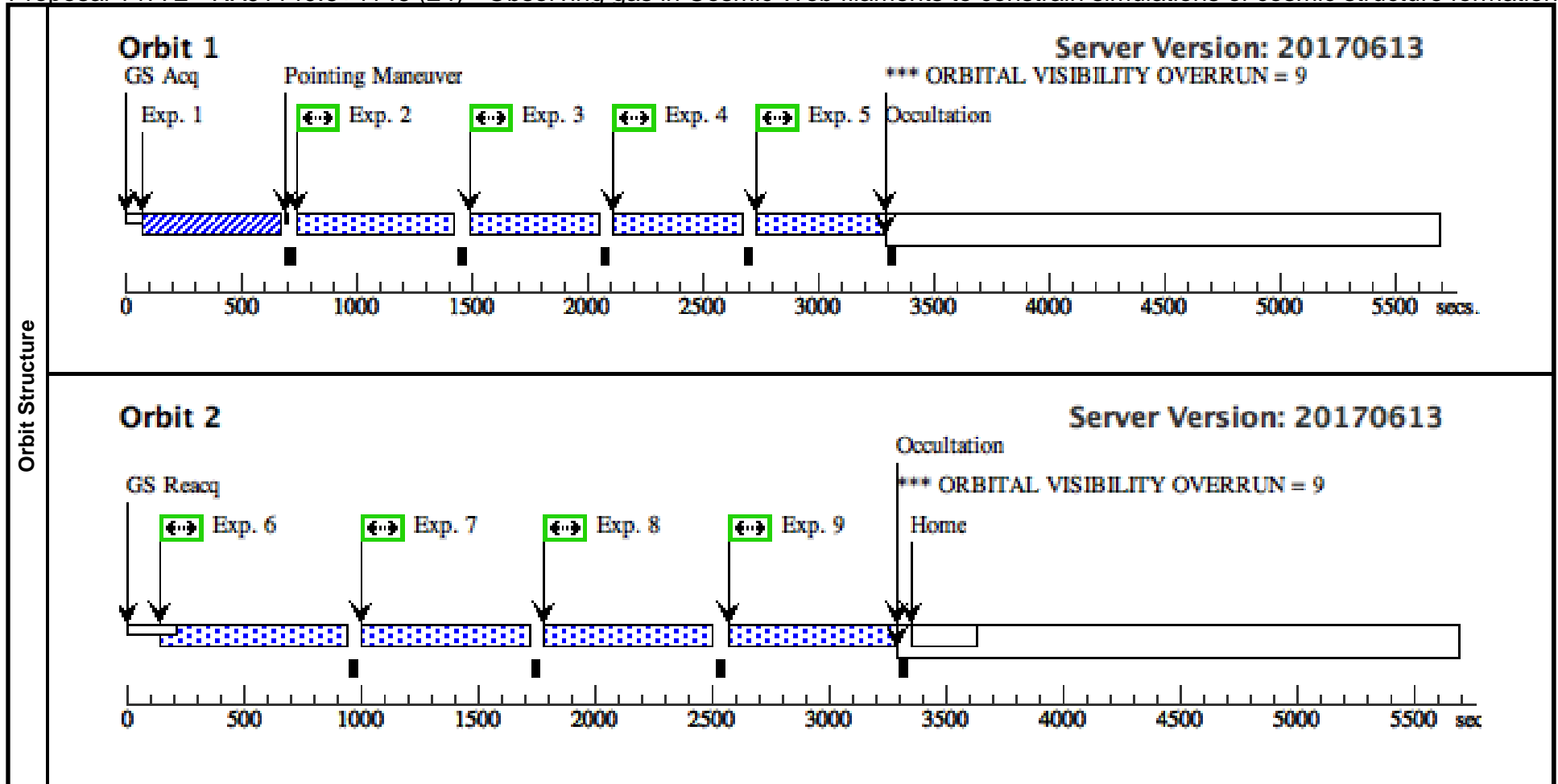
Proposal 14772 - RXJ1140.6+4146 (24) - Observing gas in Cosmic Web filaments to constrain simulations of cosmic structure formation

Mon Sep 18 21:01:51 GMT 2017

Visit	Proposal 14772, RXJ1140.6+4146 (24), completed Diagnostic Status: Error Scientific Instruments: COS/FUV, COS/NUV Special Requirements: (none)						
	Diagnostics	(RXJ1140.6+4146-1327.1 (24.002)) Error (Form): LIFETIME-POS is required with G130M when not in Supported mode. (RXJ1140.6+4146-1327.2 (24.003)) Error (Form): LIFETIME-POS is required with G130M when not in Supported mode. (RXJ1140.6+4146-1327.3 (24.004)) Error (Form): LIFETIME-POS is required with G130M when not in Supported mode. (RXJ1140.6+4146-1327.4 (24.005)) Error (Form): LIFETIME-POS is required with G130M when not in Supported mode. (RXJ1140.6+4146-1300.1 (24.006)) Error (Form): LIFETIME-POS is required with G130M when not in Supported mode. (RXJ1140.6+4146-1300.2 (24.007)) Error (Form): LIFETIME-POS is required with G130M when not in Supported mode. (RXJ1140.6+4146-1300.3 (24.008)) Error (Form): LIFETIME-POS is required with G130M when not in Supported mode. (RXJ1140.6+4146-1300.4 (24.009)) Error (Form): LIFETIME-POS is required with G130M when not in Supported mode. (RXJ1140.6+4146 (24)) Warning (Orbit Planner): ORBITAL VISIBILITY OVERRUN (RXJ1140.6+4146 (24)) Warning (Orbit Planner): ORBITAL VISIBILITY OVERRUN (RXJ1140.6+4146-1327.1 (24.002)) Warning (Form): Defaults for SEGMENT have changed in APT25.2 for use of LP4 with G130M. See full description for details. (RXJ1140.6+4146-1327.2 (24.003)) Warning (Form): Defaults for SEGMENT have changed in APT25.2 for use of LP4 with G130M. See full description for details. (RXJ1140.6+4146-1327.3 (24.004)) Warning (Form): Defaults for SEGMENT have changed in APT25.2 for use of LP4 with G130M. See full description for details. (RXJ1140.6+4146-1327.4 (24.005)) Warning (Form): Defaults for SEGMENT have changed in APT25.2 for use of LP4 with G130M. See full description for details. (RXJ1140.6+4146-1300.1 (24.006)) Warning (Form): Defaults for SEGMENT have changed in APT25.2 for use of LP4 with G130M. See full description for details. (RXJ1140.6+4146-1300.2 (24.007)) Warning (Form): Defaults for SEGMENT have changed in APT25.2 for use of LP4 with G130M. See full description for details. (RXJ1140.6+4146-1300.3 (24.008)) Warning (Form): Defaults for SEGMENT have changed in APT25.2 for use of LP4 with G130M. See full description for details. (RXJ1140.6+4146-1300.4 (24.009)) Warning (Form): Defaults for SEGMENT have changed in APT25.2 for use of LP4 with G130M. See full description for details.					
Fixed Targets		#	Name	Target Coordinates	Targ. Coord. Corrections	Fluxes	Miscellaneous
		(24)	RXJ1140.6+4146	RA: 11 40 39.8600 (175.1660833d) Dec: +41 45 45.90 (41.76275d) Equinox: J2000		V=18.38+/-0.1 F=0.25; z=0.238	Reference Frame: ICRS
		<i>Comments: Extended=NO</i>					

Proposal 14772 - RXJ1140.6+4146 (24) - Observing gas in Cosmic Web filaments to constrain simulations of cosmic structure formation

#	Label (ETC Run)	Target	Config,Mode,Aperture	Spectral Els.	Opt. Params.	Special Reqs.	Groups	Exp. Time (Total)/[Actual Dur.]	Orbit	
Exposures	1	RXJ1140.6+4146-ACQ/I 6 MAGE (COS.ta.823 623)	(24) RXJ1140.6+414 COS/NUV, ACQ/IMAGE, PSA	MIRRORB				144 Secs (144 Secs) [==>]	[1]	
	<i>Comments: NUV acquisition exposure COS ETC result for S/N=40; GALEX M(NUV)=18.19 => texp=144 sec Count rate 888/sec</i>									
	2	RXJ1140.6+4146-1327.1 6 (COS.sp.823 817)	(24) RXJ1140.6+414 COS/FUV, TIME-TAG, PSA	G130M 1327 A	FP-POS=1; BUFFER-TIME=39 19			504 Secs (504 Secs) [==>]	[1]	
	<i>Comments: Total on-source exposure time 0 sec; SN=10.0 id=COS.sp.823817</i>									
	3	RXJ1140.6+4146-1327.2 6 (COS.sp.823 817)	(24) RXJ1140.6+414 COS/FUV, TIME-TAG, PSA	G130M 1327 A	FP-POS=2; BUFFER-TIME=39 19			504 Secs (504 Secs) [==>]	[1]	
	<i>Comments: Total on-source exposure time 0 sec; SN=10.0 id=COS.sp.823817</i>									
	4	RXJ1140.6+4146-1327.3 6 (COS.sp.823 817)	(24) RXJ1140.6+414 COS/FUV, TIME-TAG, PSA	G130M 1327 A	FP-POS=3; BUFFER-TIME=39 19			504 Secs (504 Secs) [==>]	[1]	
	<i>Comments: Total on-source exposure time 0 sec; SN=10.0 id=COS.sp.823817</i>									
	5	RXJ1140.6+4146-1327.4 6 (COS.sp.823 817)	(24) RXJ1140.6+414 COS/FUV, TIME-TAG, PSA	G130M 1327 A	FP-POS=4; BUFFER-TIME=39 19			506 Secs (506 Secs) [==>]	[1]	
<i>Comments: Total on-source exposure time 0 sec; SN=10.0 id=COS.sp.823817</i>										
6	RXJ1140.6+4146-1300.1 6 (COS.sp.823 817)	(24) RXJ1140.6+414 COS/FUV, TIME-TAG, PSA	G130M 1300 A	FP-POS=1; BUFFER-TIME=39 19			669 Secs (669 Secs) [==>]	[2]		
<i>Comments: Total on-source exposure time 0 sec; SN=10.0 id=COS.sp.823817</i>										
7	RXJ1140.6+4146-1300.2 6 (COS.sp.823 817)	(24) RXJ1140.6+414 COS/FUV, TIME-TAG, PSA	G130M 1300 A	FP-POS=2; BUFFER-TIME=39 19			669 Secs (669 Secs) [==>]	[2]		
<i>Comments: Total on-source exposure time 0 sec; SN=10.0 id=COS.sp.823817</i>										
8	RXJ1140.6+4146-1300.3 6 (COS.sp.823 817)	(24) RXJ1140.6+414 COS/FUV, TIME-TAG, PSA	G130M 1300 A	FP-POS=3; BUFFER-TIME=39 19			669 Secs (669 Secs) [==>]	[2]		
<i>Comments: Total on-source exposure time 0 sec; SN=10.0 id=COS.sp.823817</i>										
9	RXJ1140.6+4146-1300.4 6 (COS.sp.823 817)	(24) RXJ1140.6+414 COS/FUV, TIME-TAG, PSA	G130M 1300 A	FP-POS=4; BUFFER-TIME=39 19			669 Secs (669 Secs) [==>]	[2]		
<i>Comments: Total on-source exposure time 0 sec; SN=10.0 id=COS.sp.823817</i>										



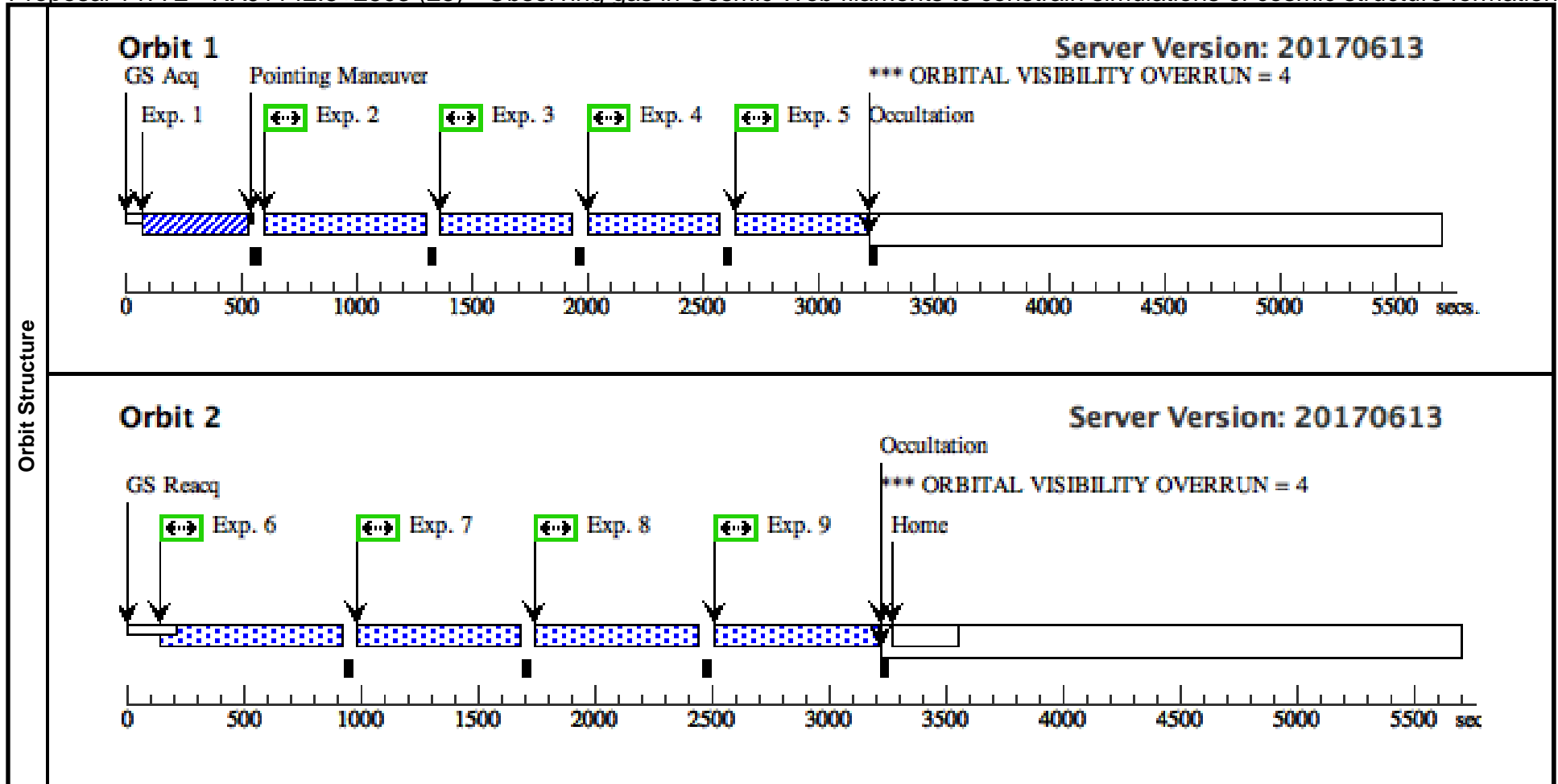
Proposal 14772 - RXJ1142.5+2503 (25) - Observing gas in Cosmic Web filaments to constrain simulations of cosmic structure formation

Mon Sep 18 21:01:51 GMT 2017

Visit	<p>Proposal 14772, RXJ1142.5+2503 (25), completed</p> <p>Diagnostic Status: Error</p> <p>Scientific Instruments: COS/FUV, COS/NUV</p> <p>Special Requirements: (none)</p>						
	Diagnostics	<p>(RXJ1142.5+2503-1327.1 (25.002)) Error (Form): LIFETIME-POS is required with G130M when not in Supported mode.</p> <p>(RXJ1142.5+2503-1327.2 (25.003)) Error (Form): LIFETIME-POS is required with G130M when not in Supported mode.</p> <p>(RXJ1142.5+2503-1327.3 (25.004)) Error (Form): LIFETIME-POS is required with G130M when not in Supported mode.</p> <p>(RXJ1142.5+2503-1327.4 (25.005)) Error (Form): LIFETIME-POS is required with G130M when not in Supported mode.</p> <p>(RXJ1142.5+2503-1300.1 (25.006)) Error (Form): LIFETIME-POS is required with G130M when not in Supported mode.</p> <p>(RXJ1142.5+2503-1300.2 (25.007)) Error (Form): LIFETIME-POS is required with G130M when not in Supported mode.</p> <p>(RXJ1142.5+2503-1300.3 (25.008)) Error (Form): LIFETIME-POS is required with G130M when not in Supported mode.</p> <p>(RXJ1142.5+2503-1300.4 (25.009)) Error (Form): LIFETIME-POS is required with G130M when not in Supported mode.</p> <p>(RXJ1142.5+2503 (25)) Warning (Orbit Planner): ORBITAL VISIBILITY OVERRUN</p> <p>(RXJ1142.5+2503 (25)) Warning (Orbit Planner): ORBITAL VISIBILITY OVERRUN</p> <p>(RXJ1142.5+2503-1327.1 (25.002)) Warning (Form): Defaults for SEGMENT have changed in APT25.2 for use of LP4 with G130M. See full description for details.</p> <p>(RXJ1142.5+2503-1327.2 (25.003)) Warning (Form): Defaults for SEGMENT have changed in APT25.2 for use of LP4 with G130M. See full description for details.</p> <p>(RXJ1142.5+2503-1327.3 (25.004)) Warning (Form): Defaults for SEGMENT have changed in APT25.2 for use of LP4 with G130M. See full description for details.</p> <p>(RXJ1142.5+2503-1327.4 (25.005)) Warning (Form): Defaults for SEGMENT have changed in APT25.2 for use of LP4 with G130M. See full description for details.</p> <p>(RXJ1142.5+2503-1300.1 (25.006)) Warning (Form): Defaults for SEGMENT have changed in APT25.2 for use of LP4 with G130M. See full description for details.</p> <p>(RXJ1142.5+2503-1300.2 (25.007)) Warning (Form): Defaults for SEGMENT have changed in APT25.2 for use of LP4 with G130M. See full description for details.</p> <p>(RXJ1142.5+2503-1300.3 (25.008)) Warning (Form): Defaults for SEGMENT have changed in APT25.2 for use of LP4 with G130M. See full description for details.</p> <p>(RXJ1142.5+2503-1300.4 (25.009)) Warning (Form): Defaults for SEGMENT have changed in APT25.2 for use of LP4 with G130M. See full description for details.</p>					
Fixed Targets		#	Name	Target Coordinates	Targ. Coord. Corrections	Fluxes	Miscellaneous
		(25)	RXJ1142.5+2503	RA: 11 42 31.8200 (175.6325833d) Dec: +25 03 38.30 (25.06064d) Equinox: J2000		V=17.56+/-0.1 F=0.43; z=0.185	Reference Frame: ICRS
		<i>Comments: Extended=NO</i>					

Proposal 14772 - RXJ1142.5+2503 (25) - Observing gas in Cosmic Web filaments to constrain simulations of cosmic structure formation

#	Label (ETC Run)	Target	Config,Mode,Aperture	Spectral Els.	Opt. Params.	Special Reqs.	Groups	Exp. Time (Total)/[Actual Dur.]	Orbit	
Exposures	1	RXJ1142.5+ (25) RXJ1142.5+2503-ACQ/I 3 MAGE (COS.ta.823 603)	COS/NUV, ACQ/IMAGE, PSA	MIRRORB				70 Secs (70 Secs) [==>]	[1]	
	<i>Comments: NUV acquisition exposure COS ETC result for S/N=40; GALEX M(NUV)=17.42 => texp=70 sec Count rate 905/sec</i>									
	2	RXJ1142.5+ (25) RXJ1142.5+2503-1327.1 3 (COS.sp.823 818)	COS/FUV, TIME-TAG, PSA	G130M 1327 A	FP-POS=1; BUFFER-TIME=34 18			522 Secs (522 Secs) [==>]	[1]	
	<i>Comments: Total on-source exposure time 0 sec; SN=13.1 id=COS.sp.823818</i>									
	3	RXJ1142.5+ (25) RXJ1142.5+2503-1327.2 3 (COS.sp.823 818)	COS/FUV, TIME-TAG, PSA	G130M 1327 A	FP-POS=2; BUFFER-TIME=34 18			522 Secs (522 Secs) [==>]	[1]	
	<i>Comments: Total on-source exposure time 0 sec; SN=13.1 id=COS.sp.823818</i>									
	4	RXJ1142.5+ (25) RXJ1142.5+2503-1327.3 3 (COS.sp.823 818)	COS/FUV, TIME-TAG, PSA	G130M 1327 A	FP-POS=3; BUFFER-TIME=34 18			522 Secs (522 Secs) [==>]	[1]	
	<i>Comments: Total on-source exposure time 0 sec; SN=13.1 id=COS.sp.823818</i>									
	5	RXJ1142.5+ (25) RXJ1142.5+2503-1327.4 3 (COS.sp.823 818)	COS/FUV, TIME-TAG, PSA	G130M 1327 A	FP-POS=4; BUFFER-TIME=34 18			522 Secs (522 Secs) [==>]	[1]	
<i>Comments: Total on-source exposure time 0 sec; SN=13.1 id=COS.sp.823818</i>										
6	RXJ1142.5+ (25) RXJ1142.5+2503-1300.1 3 (COS.sp.823 818)	COS/FUV, TIME-TAG, PSA	G130M 1300 A	FP-POS=1; BUFFER-TIME=34 18			649 Secs (649 Secs) [==>]	[2]		
<i>Comments: Total on-source exposure time 0 sec; SN=13.1 id=COS.sp.823818</i>										
7	RXJ1142.5+ (25) RXJ1142.5+2503-1300.2 3 (COS.sp.823 818)	COS/FUV, TIME-TAG, PSA	G130M 1300 A	FP-POS=2; BUFFER-TIME=34 18			649 Secs (649 Secs) [==>]	[2]		
<i>Comments: Total on-source exposure time 0 sec; SN=13.1 id=COS.sp.823818</i>										
8	RXJ1142.5+ (25) RXJ1142.5+2503-1300.3 3 (COS.sp.823 818)	COS/FUV, TIME-TAG, PSA	G130M 1300 A	FP-POS=3; BUFFER-TIME=34 18			649 Secs (649 Secs) [==>]	[2]		
<i>Comments: Total on-source exposure time 0 sec; SN=13.1 id=COS.sp.823818</i>										
9	RXJ1142.5+ (25) RXJ1142.5+2503-1300.4 3 (COS.sp.823 818)	COS/FUV, TIME-TAG, PSA	G130M 1300 A	FP-POS=4; BUFFER-TIME=34 18			651 Secs (651 Secs) [==>]	[2]		
<i>Comments: Total on-source exposure time 0 sec; SN=13.1 id=COS.sp.823818</i>										



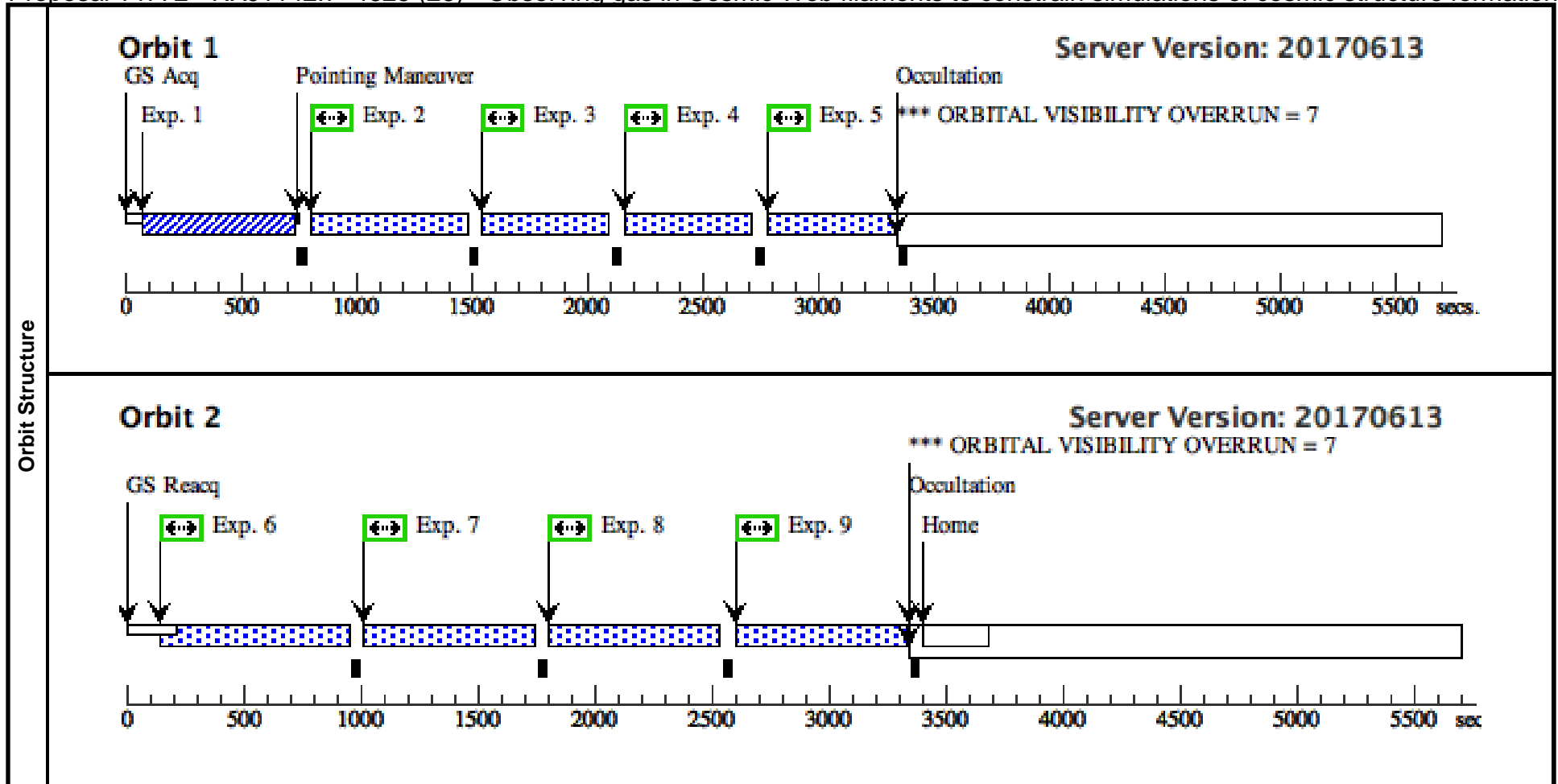
Proposal 14772 - RXJ1142.7+4625 (26) - Observing gas in Cosmic Web filaments to constrain simulations of cosmic structure formation

Mon Sep 18 21:01:51 GMT 2017

Visit	<p>Proposal 14772, RXJ1142.7+4625 (26), completed</p> <p>Diagnostic Status: Error</p> <p>Scientific Instruments: COS/FUV, COS/NUV</p> <p>Special Requirements: (none)</p>						
	Diagnostics	<p>(RXJ1142.7+4625-1327.1 (26.002)) Error (Form): LIFETIME-POS is required with G130M when not in Supported mode.</p> <p>(RXJ1142.7+4625-1327.2 (26.003)) Error (Form): LIFETIME-POS is required with G130M when not in Supported mode.</p> <p>(RXJ1142.7+4625-1327.3 (26.004)) Error (Form): LIFETIME-POS is required with G130M when not in Supported mode.</p> <p>(RXJ1142.7+4625-1327.4 (26.005)) Error (Form): LIFETIME-POS is required with G130M when not in Supported mode.</p> <p>(RXJ1142.7+4625-1300.1 (26.006)) Error (Form): LIFETIME-POS is required with G130M when not in Supported mode.</p> <p>(RXJ1142.7+4625-1300.2 (26.007)) Error (Form): LIFETIME-POS is required with G130M when not in Supported mode.</p> <p>(RXJ1142.7+4625-1300.3 (26.008)) Error (Form): LIFETIME-POS is required with G130M when not in Supported mode.</p> <p>(RXJ1142.7+4625-1300.4 (26.009)) Error (Form): LIFETIME-POS is required with G130M when not in Supported mode.</p> <p>(RXJ1142.7+4625 (26)) Warning (Orbit Planner): ORBITAL VISIBILITY OVERRUN</p> <p>(RXJ1142.7+4625 (26)) Warning (Orbit Planner): ORBITAL VISIBILITY OVERRUN</p> <p>(RXJ1142.7+4625-1327.1 (26.002)) Warning (Form): Defaults for SEGMENT have changed in APT25.2 for use of LP4 with G130M. See full description for details.</p> <p>(RXJ1142.7+4625-1327.2 (26.003)) Warning (Form): Defaults for SEGMENT have changed in APT25.2 for use of LP4 with G130M. See full description for details.</p> <p>(RXJ1142.7+4625-1327.3 (26.004)) Warning (Form): Defaults for SEGMENT have changed in APT25.2 for use of LP4 with G130M. See full description for details.</p> <p>(RXJ1142.7+4625-1327.4 (26.005)) Warning (Form): Defaults for SEGMENT have changed in APT25.2 for use of LP4 with G130M. See full description for details.</p> <p>(RXJ1142.7+4625-1300.1 (26.006)) Warning (Form): Defaults for SEGMENT have changed in APT25.2 for use of LP4 with G130M. See full description for details.</p> <p>(RXJ1142.7+4625-1300.2 (26.007)) Warning (Form): Defaults for SEGMENT have changed in APT25.2 for use of LP4 with G130M. See full description for details.</p> <p>(RXJ1142.7+4625-1300.3 (26.008)) Warning (Form): Defaults for SEGMENT have changed in APT25.2 for use of LP4 with G130M. See full description for details.</p> <p>(RXJ1142.7+4625-1300.4 (26.009)) Warning (Form): Defaults for SEGMENT have changed in APT25.2 for use of LP4 with G130M. See full description for details.</p>					
Fixed Targets		#	Name	Target Coordinates	Targ. Coord. Corrections	Fluxes	Miscellaneous
		(26)	RXJ1142.7+4625	RA: 11 42 41.2200 (175.6717500d) Dec: +46 24 36.30 (46.41008d) Equinox: J2000		V=17.36+/-0.1 F=0.26; z=0.115	Reference Frame: ICRS
		<i>Comments: Extended=NO</i>					

Proposal 14772 - RXJ1142.7+4625 (26) - Observing gas in Cosmic Web filaments to constrain simulations of cosmic structure formation

#	Label (ETC Run)	Target	Config,Mode,Aperture	Spectral Els.	Opt. Params.	Special Reqs.	Groups	Exp. Time (Total)/[Actual Dur.]	Orbit
Exposures	1	RXJ1142.7+ 4625-ACQ/I MAGE (COS.ta.823 620)	(26) RXJ1142.7+462 COS/NUV, ACQ/IMAGE, PSA 5	MIRRORB				170 Secs (170 Secs) [==>]	[1]
	<i>Comments: NUV acquisition exposure COS ETC result for S/N=40; GALEX M(NUV)=18.37 => texp=170 sec Count rate 886/sec</i>								
	2	RXJ1142.7+ 4625-1327.1 (COS.sp.823 819)	(26) RXJ1142.7+462 COS/FUV, TIME-TAG, PSA 5	G130M 1327 A	FP-POS=1; BUFFER-TIME=39 19			502 Secs (502 Secs) [==>]	[1]
	<i>Comments: Total on-source exposure time 0 sec; SN=10.0 id=COS.sp.823819</i>								
	3	RXJ1142.7+ 4625-1327.2 (COS.sp.823 819)	(26) RXJ1142.7+462 COS/FUV, TIME-TAG, PSA 5	G130M 1327 A	FP-POS=2; BUFFER-TIME=39 19			502 Secs (502 Secs) [==>]	[1]
	<i>Comments: Total on-source exposure time 0 sec; SN=10.0 id=COS.sp.823819</i>								
	4	RXJ1142.7+ 4625-1327.3 (COS.sp.823 819)	(26) RXJ1142.7+462 COS/FUV, TIME-TAG, PSA 5	G130M 1327 A	FP-POS=3; BUFFER-TIME=39 19			502 Secs (502 Secs) [==>]	[1]
	<i>Comments: Total on-source exposure time 0 sec; SN=10.0 id=COS.sp.823819</i>								
	5	RXJ1142.7+ 4625-1327.4 (COS.sp.823 819)	(26) RXJ1142.7+462 COS/FUV, TIME-TAG, PSA 5	G130M 1327 A	FP-POS=4; BUFFER-TIME=39 19			505 Secs (505 Secs) [==>]	[1]
<i>Comments: Total on-source exposure time 0 sec; SN=10.0 id=COS.sp.823819</i>									
6	RXJ1142.7+ 4625-1300.1 (COS.sp.823 819)	(26) RXJ1142.7+462 COS/FUV, TIME-TAG, PSA 5	G130M 1300 A	FP-POS=1; BUFFER-TIME=39 19			680 Secs (680 Secs) [==>]	[2]	
<i>Comments: Total on-source exposure time 0 sec; SN=10.0 id=COS.sp.823819</i>									
7	RXJ1142.7+ 4625-1300.2 (COS.sp.823 819)	(26) RXJ1142.7+462 COS/FUV, TIME-TAG, PSA 5	G130M 1300 A	FP-POS=2; BUFFER-TIME=39 19			680 Secs (680 Secs) [==>]	[2]	
<i>Comments: Total on-source exposure time 0 sec; SN=10.0 id=COS.sp.823819</i>									
8	RXJ1142.7+ 4625-1300.3 (COS.sp.823 819)	(26) RXJ1142.7+462 COS/FUV, TIME-TAG, PSA 5	G130M 1300 A	FP-POS=3; BUFFER-TIME=39 19			680 Secs (680 Secs) [==>]	[2]	
<i>Comments: Total on-source exposure time 0 sec; SN=10.0 id=COS.sp.823819</i>									
9	RXJ1142.7+ 4625-1300.4 (COS.sp.823 819)	(26) RXJ1142.7+462 COS/FUV, TIME-TAG, PSA 5	G130M 1300 A	FP-POS=4; BUFFER-TIME=39 19			681 Secs (681 Secs) [==>]	[2]	
<i>Comments: Total on-source exposure time 0 sec; SN=10.0 id=COS.sp.823819</i>									



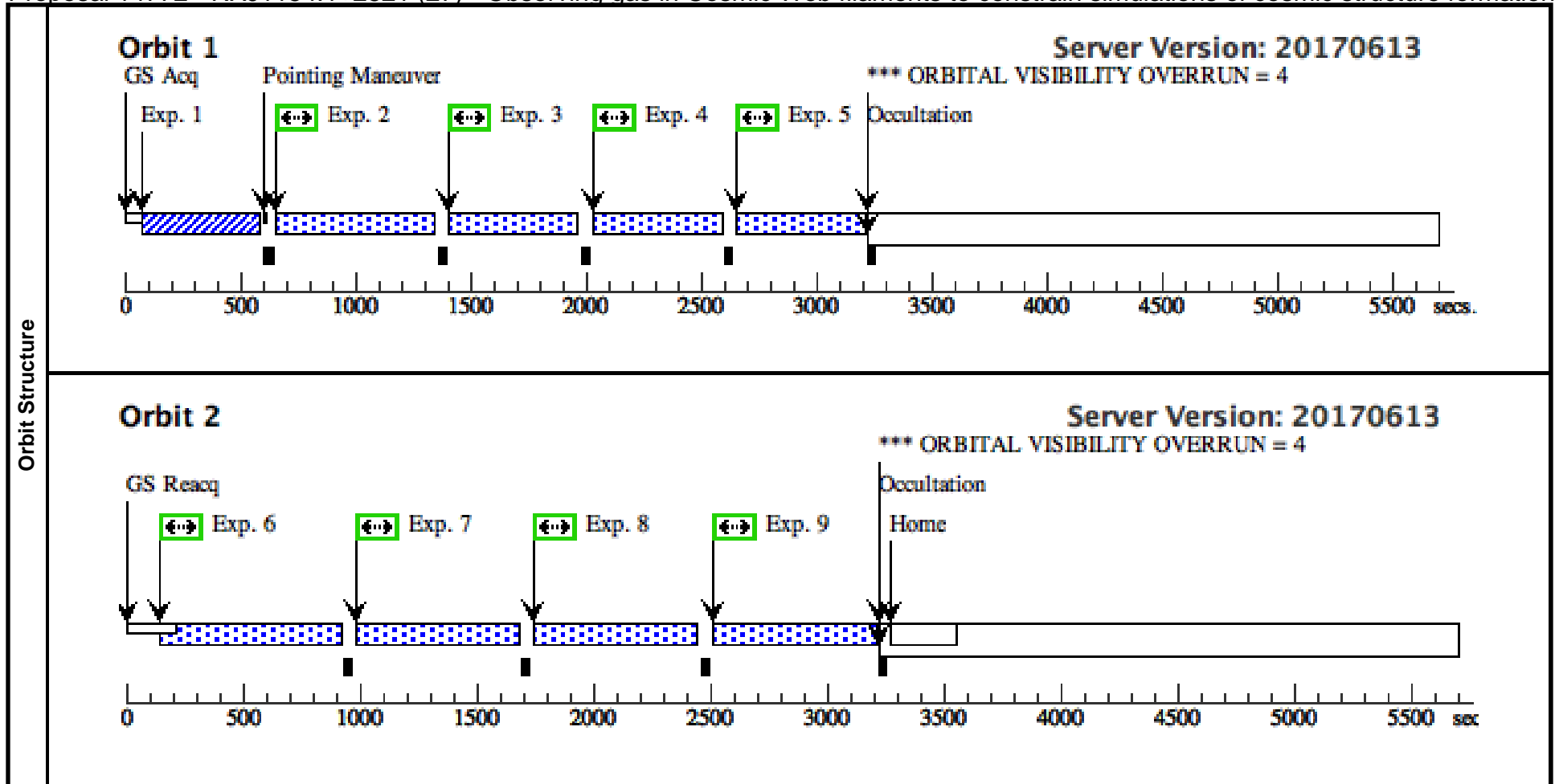
Proposal 14772 - RXJ1154.1+2521 (27) - Observing gas in Cosmic Web filaments to constrain simulations of cosmic structure formation

Mon Sep 18 21:01:51 GMT 2017

Visit	<p>Proposal 14772, RXJ1154.1+2521 (27), completed</p> <p>Diagnostic Status: Error</p> <p>Scientific Instruments: COS/FUV, COS/NUV</p> <p>Special Requirements: (none)</p>						
	Diagnostics	<p>(RXJ1154.1+2521-1327.1 (27.002)) Error (Form): LIFETIME-POS is required with G130M when not in Supported mode.</p> <p>(RXJ1154.1+2521-1327.2 (27.003)) Error (Form): LIFETIME-POS is required with G130M when not in Supported mode.</p> <p>(RXJ1154.1+2521-1327.3 (27.004)) Error (Form): LIFETIME-POS is required with G130M when not in Supported mode.</p> <p>(RXJ1154.1+2521-1327.4 (27.005)) Error (Form): LIFETIME-POS is required with G130M when not in Supported mode.</p> <p>(RXJ1154.1+2521-1300.1 (27.006)) Error (Form): LIFETIME-POS is required with G130M when not in Supported mode.</p> <p>(RXJ1154.1+2521-1300.2 (27.007)) Error (Form): LIFETIME-POS is required with G130M when not in Supported mode.</p> <p>(RXJ1154.1+2521-1300.3 (27.008)) Error (Form): LIFETIME-POS is required with G130M when not in Supported mode.</p> <p>(RXJ1154.1+2521-1300.4 (27.009)) Error (Form): LIFETIME-POS is required with G130M when not in Supported mode.</p> <p>(RXJ1154.1+2521 (27)) Warning (Orbit Planner): ORBITAL VISIBILITY OVERRUN</p> <p>(RXJ1154.1+2521 (27)) Warning (Orbit Planner): ORBITAL VISIBILITY OVERRUN</p> <p>(RXJ1154.1+2521-1327.1 (27.002)) Warning (Form): Defaults for SEGMENT have changed in APT25.2 for use of LP4 with G130M. See full description for details.</p> <p>(RXJ1154.1+2521-1327.2 (27.003)) Warning (Form): Defaults for SEGMENT have changed in APT25.2 for use of LP4 with G130M. See full description for details.</p> <p>(RXJ1154.1+2521-1327.3 (27.004)) Warning (Form): Defaults for SEGMENT have changed in APT25.2 for use of LP4 with G130M. See full description for details.</p> <p>(RXJ1154.1+2521-1327.4 (27.005)) Warning (Form): Defaults for SEGMENT have changed in APT25.2 for use of LP4 with G130M. See full description for details.</p> <p>(RXJ1154.1+2521-1300.1 (27.006)) Warning (Form): Defaults for SEGMENT have changed in APT25.2 for use of LP4 with G130M. See full description for details.</p> <p>(RXJ1154.1+2521-1300.2 (27.007)) Warning (Form): Defaults for SEGMENT have changed in APT25.2 for use of LP4 with G130M. See full description for details.</p> <p>(RXJ1154.1+2521-1300.3 (27.008)) Warning (Form): Defaults for SEGMENT have changed in APT25.2 for use of LP4 with G130M. See full description for details.</p> <p>(RXJ1154.1+2521-1300.4 (27.009)) Warning (Form): Defaults for SEGMENT have changed in APT25.2 for use of LP4 with G130M. See full description for details.</p>					
Fixed Targets		#	Name	Target Coordinates	Targ. Coord. Corrections	Fluxes	Miscellaneous
		(27)	RXJ1154.1+2521	RA: 11 54 7.9400 (178.5330833d) Dec: +25 21 45.40 (25.36261d) Equinox: J2000		V=17.85+/-0.1 F=0.28; z=0.335	Reference Frame: ICRS
		<i>Comments: Extended=NO</i>					

Proposal 14772 - RXJ1154.1+2521 (27) - Observing gas in Cosmic Web filaments to constrain simulations of cosmic structure formation

#	Label (ETC Run)	Target	Config,Mode,Aperture	Spectral Els.	Opt. Params.	Special Reqs.	Groups	Exp. Time (Total)/[Actual Dur.]	Orbit	
Exposures	1	RXJ1154.1+ 2521-ACQ/I MAGE (COS.ta.823 598)	(27) RXJ1154.1+252 COS/NUV, ACQ/IMAGE, PSA	MIRRORB				98 Secs (98 Secs) [==>]	[1]	
	<i>Comments: NUV acquisition exposure COS ETC result for S/N=40; GALEX M(NUV)=17.78 => texp=98 sec Count rate 896/sec</i>									
	2	RXJ1154.1+ 2521-1327.1 (COS.sp.823 820)	(27) RXJ1154.1+252 COS/FUV, TIME-TAG, PSA	G130M 1327 A	FP-POS=1; BUFFER-TIME=38 26			508 Secs (508 Secs) [==>]	[1]	
	<i>Comments: Total on-source exposure time 0 sec; SN=10.5 id=COS.sp.823820</i>									
	3	RXJ1154.1+ 2521-1327.2 (COS.sp.823 820)	(27) RXJ1154.1+252 COS/FUV, TIME-TAG, PSA	G130M 1327 A	FP-POS=2; BUFFER-TIME=38 26			508 Secs (508 Secs) [==>]	[1]	
	<i>Comments: Total on-source exposure time 0 sec; SN=10.5 id=COS.sp.823820</i>									
	4	RXJ1154.1+ 2521-1327.3 (COS.sp.823 820)	(27) RXJ1154.1+252 COS/FUV, TIME-TAG, PSA	G130M 1327 A	FP-POS=3; BUFFER-TIME=38 26			508 Secs (508 Secs) [==>]	[1]	
	<i>Comments: Total on-source exposure time 0 sec; SN=10.5 id=COS.sp.823820</i>									
	5	RXJ1154.1+ 2521-1327.4 (COS.sp.823 820)	(27) RXJ1154.1+252 COS/FUV, TIME-TAG, PSA	G130M 1327 A	FP-POS=4; BUFFER-TIME=38 26			508 Secs (508 Secs) [==>]	[1]	
<i>Comments: Total on-source exposure time 0 sec; SN=10.5 id=COS.sp.823820</i>										
6	RXJ1154.1+ 2521-1300.1 (COS.sp.823 820)	(27) RXJ1154.1+252 COS/FUV, TIME-TAG, PSA	G130M 1300 A	FP-POS=1; BUFFER-TIME=38 26			649 Secs (649 Secs) [==>]	[2]		
<i>Comments: Total on-source exposure time 0 sec; SN=10.5 id=COS.sp.823820</i>										
7	RXJ1154.1+ 2521-1300.2 (COS.sp.823 820)	(27) RXJ1154.1+252 COS/FUV, TIME-TAG, PSA	G130M 1300 A	FP-POS=2; BUFFER-TIME=38 26			649 Secs (649 Secs) [==>]	[2]		
<i>Comments: Total on-source exposure time 0 sec; SN=10.5 id=COS.sp.823820</i>										
8	RXJ1154.1+ 2521-1300.3 (COS.sp.823 820)	(27) RXJ1154.1+252 COS/FUV, TIME-TAG, PSA	G130M 1300 A	FP-POS=3; BUFFER-TIME=38 26			649 Secs (649 Secs) [==>]	[2]		
<i>Comments: Total on-source exposure time 0 sec; SN=10.5 id=COS.sp.823820</i>										
9	RXJ1154.1+ 2521-1300.4 (COS.sp.823 820)	(27) RXJ1154.1+252 COS/FUV, TIME-TAG, PSA	G130M 1300 A	FP-POS=4; BUFFER-TIME=38 26			651 Secs (651 Secs) [==>]	[2]		
<i>Comments: Total on-source exposure time 0 sec; SN=10.5 id=COS.sp.823820</i>										



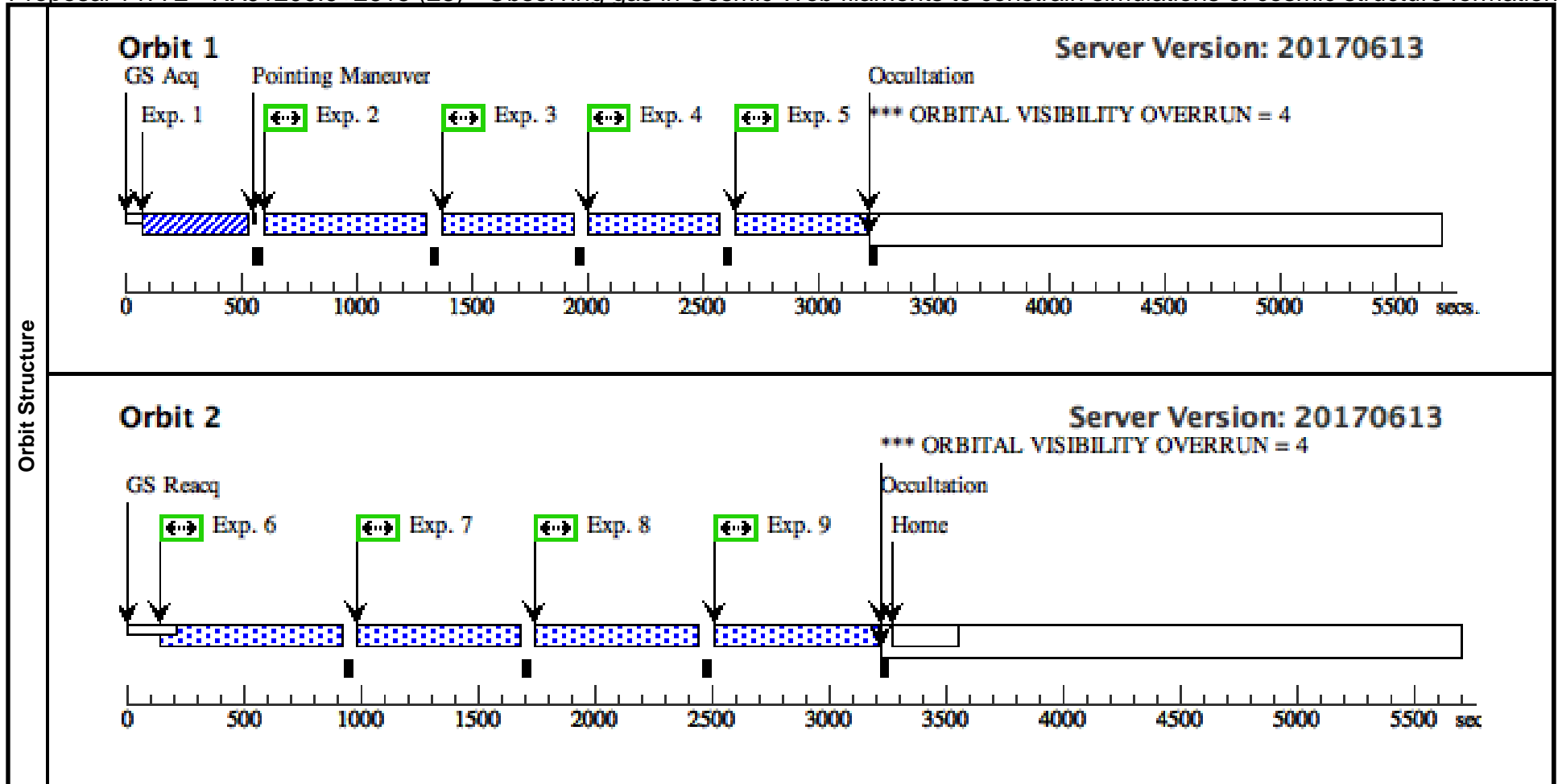
Proposal 14772 - RXJ1200.9+2615 (28) - Observing gas in Cosmic Web filaments to constrain simulations of cosmic structure formation

Mon Sep 18 21:01:51 GMT 2017

Visit	<p>Proposal 14772, RXJ1200.9+2615 (28), completed</p> <p>Diagnostic Status: Error</p> <p>Scientific Instruments: COS/FUV, COS/NUV</p> <p>Special Requirements: (none)</p>						
	Diagnostics	<p>(RXJ1200.9+2615-1327.1 (28.002)) Error (Form): LIFETIME-POS is required with G130M when not in Supported mode.</p> <p>(RXJ1200.9+2615-1327.2 (28.003)) Error (Form): LIFETIME-POS is required with G130M when not in Supported mode.</p> <p>(RXJ1200.9+2615-1327.3 (28.004)) Error (Form): LIFETIME-POS is required with G130M when not in Supported mode.</p> <p>(RXJ1200.9+2615-1327.4 (28.005)) Error (Form): LIFETIME-POS is required with G130M when not in Supported mode.</p> <p>(RXJ1200.9+2615-1300.1 (28.006)) Error (Form): LIFETIME-POS is required with G130M when not in Supported mode.</p> <p>(RXJ1200.9+2615-1300.2 (28.007)) Error (Form): LIFETIME-POS is required with G130M when not in Supported mode.</p> <p>(RXJ1200.9+2615-1300.3 (28.008)) Error (Form): LIFETIME-POS is required with G130M when not in Supported mode.</p> <p>(RXJ1200.9+2615-1300.4 (28.009)) Error (Form): LIFETIME-POS is required with G130M when not in Supported mode.</p> <p>(RXJ1200.9+2615 (28)) Warning (Orbit Planner): ORBITAL VISIBILITY OVERRUN</p> <p>(RXJ1200.9+2615 (28)) Warning (Orbit Planner): ORBITAL VISIBILITY OVERRUN</p> <p>(RXJ1200.9+2615-1327.1 (28.002)) Warning (Form): Defaults for SEGMENT have changed in APT25.2 for use of LP4 with G130M. See full description for details.</p> <p>(RXJ1200.9+2615-1327.2 (28.003)) Warning (Form): Defaults for SEGMENT have changed in APT25.2 for use of LP4 with G130M. See full description for details.</p> <p>(RXJ1200.9+2615-1327.3 (28.004)) Warning (Form): Defaults for SEGMENT have changed in APT25.2 for use of LP4 with G130M. See full description for details.</p> <p>(RXJ1200.9+2615-1327.4 (28.005)) Warning (Form): Defaults for SEGMENT have changed in APT25.2 for use of LP4 with G130M. See full description for details.</p> <p>(RXJ1200.9+2615-1300.1 (28.006)) Warning (Form): Defaults for SEGMENT have changed in APT25.2 for use of LP4 with G130M. See full description for details.</p> <p>(RXJ1200.9+2615-1300.2 (28.007)) Warning (Form): Defaults for SEGMENT have changed in APT25.2 for use of LP4 with G130M. See full description for details.</p> <p>(RXJ1200.9+2615-1300.3 (28.008)) Warning (Form): Defaults for SEGMENT have changed in APT25.2 for use of LP4 with G130M. See full description for details.</p> <p>(RXJ1200.9+2615-1300.4 (28.009)) Warning (Form): Defaults for SEGMENT have changed in APT25.2 for use of LP4 with G130M. See full description for details.</p>					
Fixed Targets		#	Name	Target Coordinates	Targ. Coord. Corrections	Fluxes	Miscellaneous
		(28)	RXJ1200.9+2615	RA: 12 00 56.6100 (180.2358750d) Dec: +26 15 12.50 (26.25347d) Equinox: J2000		V=17.85+/-0.1 F=0.36; z=0.310	Reference Frame: ICRS
		<i>Comments: Extended=NO</i>					

Proposal 14772 - RXJ1200.9+2615 (28) - Observing gas in Cosmic Web filaments to constrain simulations of cosmic structure formation

#	Label (ETC Run)	Target	Config,Mode,Aperture	Spectral Els.	Opt. Params.	Special Reqs.	Groups	Exp. Time (Total)/[Actual Dur.]	Orbit
Exposures	1	RXJ1200.9+2615-ACQ/I MAGE (COS.ta.823604)	(28) RXJ1200.9+2615 COS/NUV, ACQ/IMAGE, PSA	MIRRORB				74 Secs (74 Secs) [==>]	[1]
	<i>Comments: NUV acquisition exposure COS ETC result for S/N=40; GALEX M(NUV)=17.47 => texp=74 sec Count rate 904/sec</i>								
	2	RXJ1200.9+2615-1327.1 (COS.sp.823821)	(28) RXJ1200.9+2615 COS/FUV, TIME-TAG, PSA	G130M 1327 A	FP-POS=1; BUFFER-TIME=35 97			520 Secs (520 Secs) [==>]	[1]
	<i>Comments: Total on-source exposure time 0 sec; SN=11.9 id=COS.sp.823821</i>								
	3	RXJ1200.9+2615-1327.2 (COS.sp.823821)	(28) RXJ1200.9+2615 COS/FUV, TIME-TAG, PSA	G130M 1327 A	FP-POS=2; BUFFER-TIME=35 97			520 Secs (520 Secs) [==>]	[1]
	<i>Comments: Total on-source exposure time 0 sec; SN=11.9 id=COS.sp.823821</i>								
	4	RXJ1200.9+2615-1327.3 (COS.sp.823821)	(28) RXJ1200.9+2615 COS/FUV, TIME-TAG, PSA	G130M 1327 A	FP-POS=3; BUFFER-TIME=35 97			520 Secs (520 Secs) [==>]	[1]
	<i>Comments: Total on-source exposure time 0 sec; SN=11.9 id=COS.sp.823821</i>								
	5	RXJ1200.9+2615-1327.4 (COS.sp.823821)	(28) RXJ1200.9+2615 COS/FUV, TIME-TAG, PSA	G130M 1327 A	FP-POS=4; BUFFER-TIME=35 97			520 Secs (520 Secs) [==>]	[1]
<i>Comments: Total on-source exposure time 0 sec; SN=11.9 id=COS.sp.823821</i>									
6	RXJ1200.9+2615-1300.1 (COS.sp.823821)	(28) RXJ1200.9+2615 COS/FUV, TIME-TAG, PSA	G130M 1300 A	FP-POS=1; BUFFER-TIME=35 97			649 Secs (649 Secs) [==>]	[2]	
<i>Comments: Total on-source exposure time 0 sec; SN=11.9 id=COS.sp.823821</i>									
7	RXJ1200.9+2615-1300.2 (COS.sp.823821)	(28) RXJ1200.9+2615 COS/FUV, TIME-TAG, PSA	G130M 1300 A	FP-POS=2; BUFFER-TIME=35 97			649 Secs (649 Secs) [==>]	[2]	
<i>Comments: Total on-source exposure time 0 sec; SN=11.9 id=COS.sp.823821</i>									
8	RXJ1200.9+2615-1300.3 (COS.sp.823821)	(28) RXJ1200.9+2615 COS/FUV, TIME-TAG, PSA	G130M 1300 A	FP-POS=3; BUFFER-TIME=35 97			649 Secs (649 Secs) [==>]	[2]	
<i>Comments: Total on-source exposure time 0 sec; SN=11.9 id=COS.sp.823821</i>									
9	RXJ1200.9+2615-1300.4 (COS.sp.823821)	(28) RXJ1200.9+2615 COS/FUV, TIME-TAG, PSA	G130M 1300 A	FP-POS=4; BUFFER-TIME=35 97			651 Secs (651 Secs) [==>]	[2]	
<i>Comments: Total on-source exposure time 0 sec; SN=11.9 id=COS.sp.823821</i>									



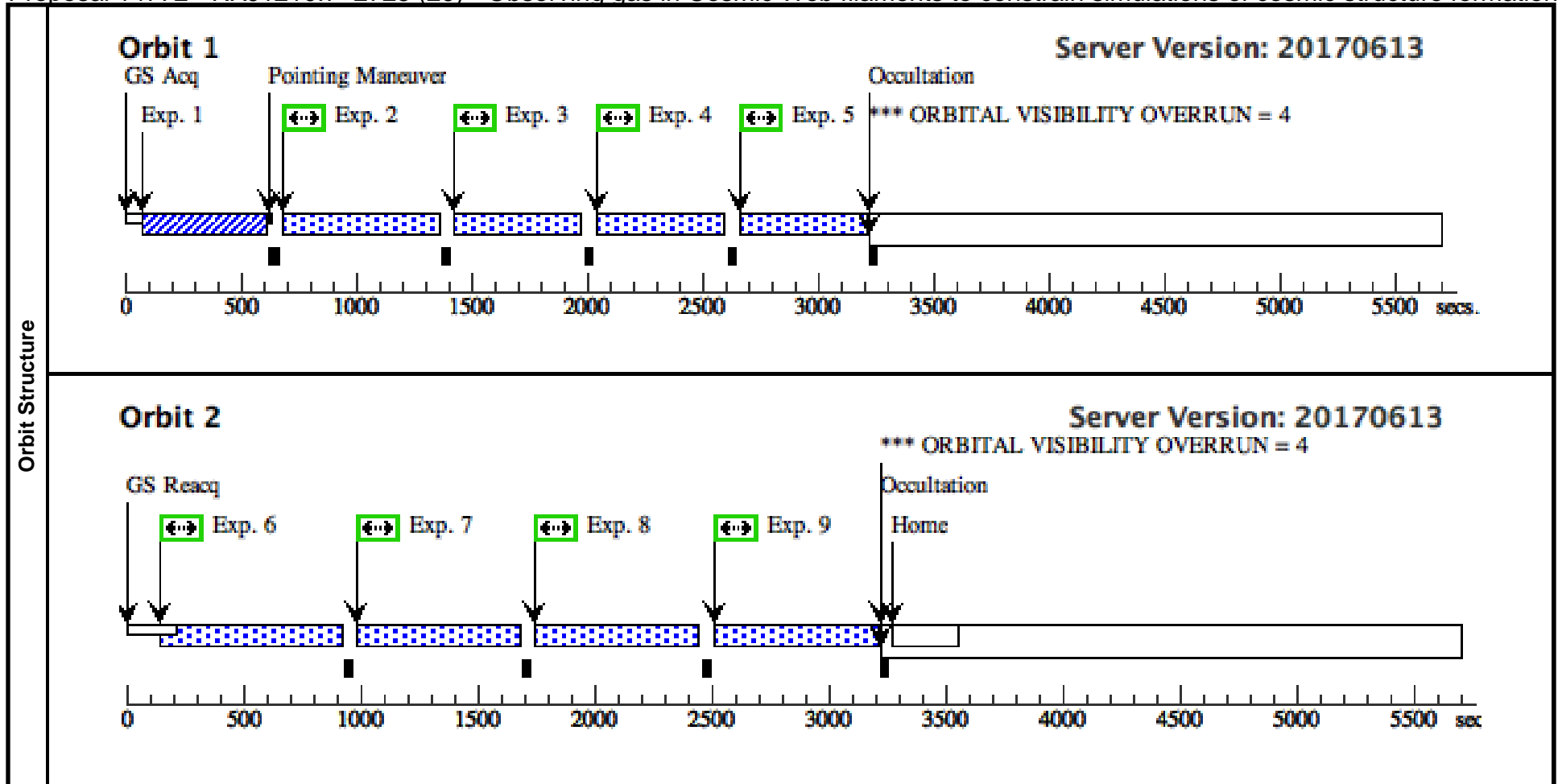
Proposal 14772 - RXJ1210.7+2725 (29) - Observing gas in Cosmic Web filaments to constrain simulations of cosmic structure formation

Mon Sep 18 21:01:51 GMT 2017

Visit	<p>Proposal 14772, RXJ1210.7+2725 (29), completed</p> <p>Diagnostic Status: Error</p> <p>Scientific Instruments: COS/FUV, COS/NUV</p> <p>Special Requirements: (none)</p>																						
	Diagnostics																						
Fixed Targets	<table border="1"> <thead> <tr> <th data-bbox="142 797 247 829">#</th> <th data-bbox="247 797 478 829">Name</th> <th data-bbox="478 797 898 829">Target Coordinates</th> <th data-bbox="898 797 1318 829">Targ. Coord. Corrections</th> <th data-bbox="1318 797 1612 829">Fluxes</th> <th data-bbox="1612 797 2001 829">Miscellaneous</th> </tr> </thead> <tbody> <tr> <td data-bbox="142 829 247 927">(29)</td> <td data-bbox="247 829 478 927">RXJ1210.7+2725</td> <td data-bbox="478 829 898 927"> RA: 12 10 45.6400 (182.6901667d) Dec: +27 25 36.50 (27.42681d) Equinox: J2000 </td> <td data-bbox="898 829 1318 927"></td> <td data-bbox="1318 829 1612 927"> V=17.52+/-0.1 F=0.27; z=0.231 </td> <td data-bbox="1612 829 2001 927">Reference Frame: ICRS</td> </tr> <tr> <td colspan="6" data-bbox="142 927 2001 980"><i>Comments: Extended=NO</i></td> </tr> </tbody> </table>					#	Name	Target Coordinates	Targ. Coord. Corrections	Fluxes	Miscellaneous	(29)	RXJ1210.7+2725	RA: 12 10 45.6400 (182.6901667d) Dec: +27 25 36.50 (27.42681d) Equinox: J2000		V=17.52+/-0.1 F=0.27; z=0.231	Reference Frame: ICRS	<i>Comments: Extended=NO</i>					
	#	Name	Target Coordinates	Targ. Coord. Corrections	Fluxes	Miscellaneous																	
(29)	RXJ1210.7+2725	RA: 12 10 45.6400 (182.6901667d) Dec: +27 25 36.50 (27.42681d) Equinox: J2000		V=17.52+/-0.1 F=0.27; z=0.231	Reference Frame: ICRS																		
<i>Comments: Extended=NO</i>																							

Proposal 14772 - RXJ1210.7+2725 (29) - Observing gas in Cosmic Web filaments to constrain simulations of cosmic structure formation

#	Label (ETC Run)	Target	Config,Mode,Aperture	Spectral Els.	Opt. Params.	Special Reqs.	Groups	Exp. Time (Total)/[Actual Dur.]	Orbit
Exposures	1	RXJ1210.7+ 2725-ACQ/I 5 MAGE (COS.ta.823 606)	(29) RXJ1210.7+272 COS/NUV, ACQ/IMAGE, PSA	MIRRORB				110 Secs (110 Secs) [==>]	[1]
	<i>Comments: NUV acquisition exposure COS ETC result for S/N=40; GALEX M(NUV)=17.90 => texp=110 sec Count rate 893/sec</i>								
	2	RXJ1210.7+ 2725-1327.1 5 (COS.sp.823 822)	(29) RXJ1210.7+272 COS/FUV, TIME-TAG, PSA	G130M 1327 A	FP-POS=1; BUFFER-TIME=38 56			502 Secs (502 Secs) [==>]	[1]
	<i>Comments: Total on-source exposure time 0 sec; SN=10.3 id=COS.sp.823822</i>								
	3	RXJ1210.7+ 2725-1327.2 5 (COS.sp.823 822)	(29) RXJ1210.7+272 COS/FUV, TIME-TAG, PSA	G130M 1327 A	FP-POS=2; BUFFER-TIME=38 56			502 Secs (502 Secs) [==>]	[1]
	<i>Comments: Total on-source exposure time 0 sec; SN=10.3 id=COS.sp.823822</i>								
	4	RXJ1210.7+ 2725-1327.3 5 (COS.sp.823 822)	(29) RXJ1210.7+272 COS/FUV, TIME-TAG, PSA	G130M 1327 A	FP-POS=3; BUFFER-TIME=38 56			502 Secs (502 Secs) [==>]	[1]
	<i>Comments: Total on-source exposure time 0 sec; SN=10.3 id=COS.sp.823822</i>								
	5	RXJ1210.7+ 2725-1327.4 5 (COS.sp.823 822)	(29) RXJ1210.7+272 COS/FUV, TIME-TAG, PSA	G130M 1327 A	FP-POS=4; BUFFER-TIME=38 56			502 Secs (502 Secs) [==>]	[1]
<i>Comments: Total on-source exposure time 0 sec; SN=10.3 id=COS.sp.823822</i>									
6	RXJ1210.7+ 2725-1300.1 5 (COS.sp.823 822)	(29) RXJ1210.7+272 COS/FUV, TIME-TAG, PSA	G130M 1300 A	FP-POS=1; BUFFER-TIME=38 56			649 Secs (649 Secs) [==>]	[2]	
<i>Comments: Total on-source exposure time 0 sec; SN=10.3 id=COS.sp.823822</i>									
7	RXJ1210.7+ 2725-1300.2 5 (COS.sp.823 822)	(29) RXJ1210.7+272 COS/FUV, TIME-TAG, PSA	G130M 1300 A	FP-POS=2; BUFFER-TIME=38 56			649 Secs (649 Secs) [==>]	[2]	
<i>Comments: Total on-source exposure time 0 sec; SN=10.3 id=COS.sp.823822</i>									
8	RXJ1210.7+ 2725-1300.3 5 (COS.sp.823 822)	(29) RXJ1210.7+272 COS/FUV, TIME-TAG, PSA	G130M 1300 A	FP-POS=3; BUFFER-TIME=38 56			649 Secs (649 Secs) [==>]	[2]	
<i>Comments: Total on-source exposure time 0 sec; SN=10.3 id=COS.sp.823822</i>									
9	RXJ1210.7+ 2725-1300.4 5 (COS.sp.823 822)	(29) RXJ1210.7+272 COS/FUV, TIME-TAG, PSA	G130M 1300 A	FP-POS=4; BUFFER-TIME=38 56			651 Secs (651 Secs) [==>]	[2]	
<i>Comments: Total on-source exposure time 0 sec; SN=10.3 id=COS.sp.823822</i>									



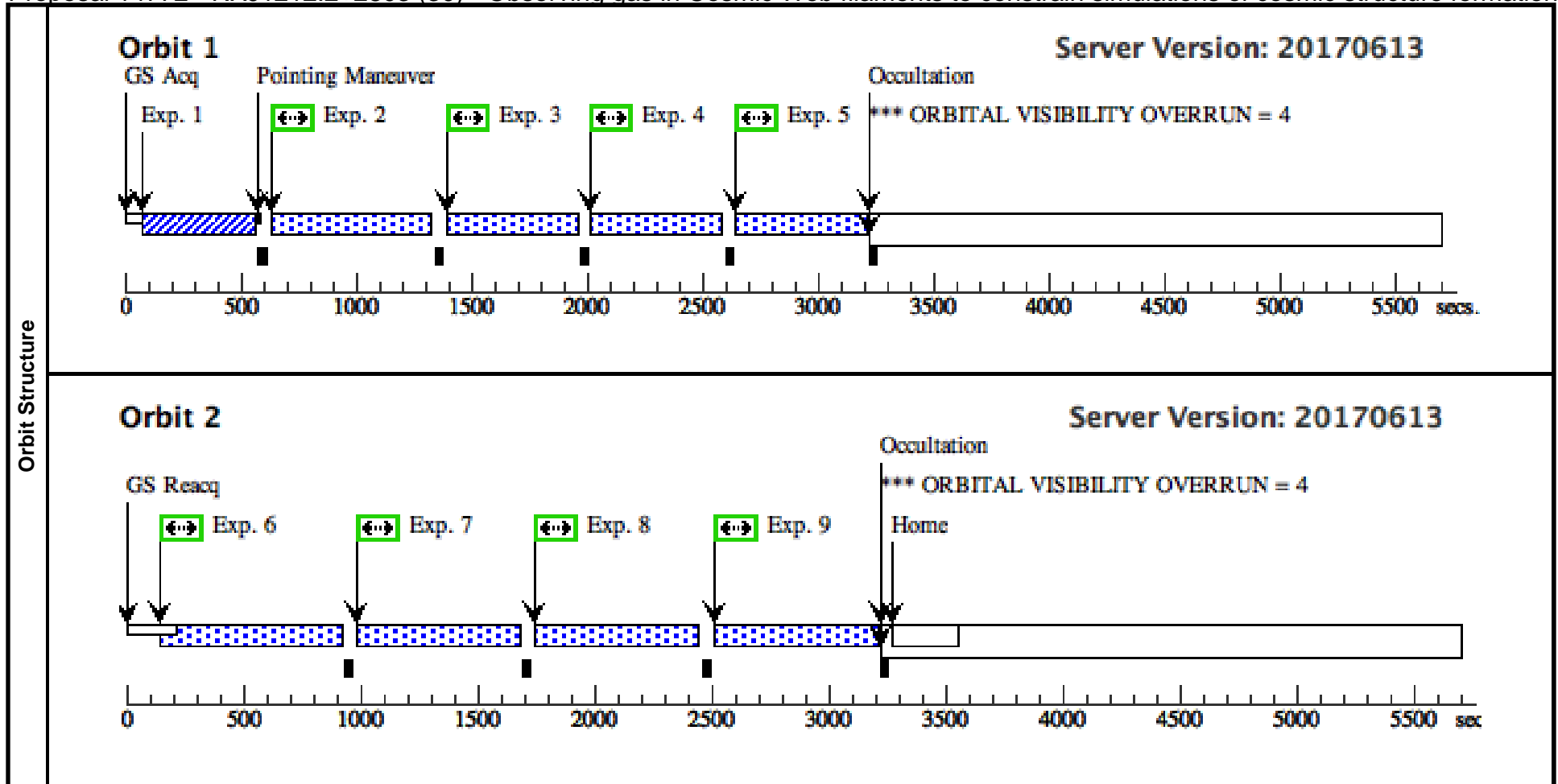
Proposal 14772 - RXJ1212.2+2803 (30) - Observing gas in Cosmic Web filaments to constrain simulations of cosmic structure formation

Mon Sep 18 21:01:51 GMT 2017

Visit	<p>Proposal 14772, RXJ1212.2+2803 (30), completed</p> <p>Diagnostic Status: Error</p> <p>Scientific Instruments: COS/FUV, COS/NUV</p> <p>Special Requirements: (none)</p>																						
	Diagnostics	<p>(RXJ1212.2+2803-1327.1 (30.002)) Error (Form): LIFETIME-POS is required with G130M when not in Supported mode.</p> <p>(RXJ1212.2+2803-1327.2 (30.003)) Error (Form): LIFETIME-POS is required with G130M when not in Supported mode.</p> <p>(RXJ1212.2+2803-1327.3 (30.004)) Error (Form): LIFETIME-POS is required with G130M when not in Supported mode.</p> <p>(RXJ1212.2+2803-1327.4 (30.005)) Error (Form): LIFETIME-POS is required with G130M when not in Supported mode.</p> <p>(RXJ1212.2+2803-1300.1 (30.006)) Error (Form): LIFETIME-POS is required with G130M when not in Supported mode.</p> <p>(RXJ1212.2+2803-1300.2 (30.007)) Error (Form): LIFETIME-POS is required with G130M when not in Supported mode.</p> <p>(RXJ1212.2+2803-1300.3 (30.008)) Error (Form): LIFETIME-POS is required with G130M when not in Supported mode.</p> <p>(RXJ1212.2+2803-1300.4 (30.009)) Error (Form): LIFETIME-POS is required with G130M when not in Supported mode.</p> <p>(RXJ1212.2+2803 (30)) Warning (Orbit Planner): ORBITAL VISIBILITY OVERRUN</p> <p>(RXJ1212.2+2803 (30)) Warning (Orbit Planner): ORBITAL VISIBILITY OVERRUN</p> <p>(RXJ1212.2+2803-1327.1 (30.002)) Warning (Form): Defaults for SEGMENT have changed in APT25.2 for use of LP4 with G130M. See full description for details.</p> <p>(RXJ1212.2+2803-1327.2 (30.003)) Warning (Form): Defaults for SEGMENT have changed in APT25.2 for use of LP4 with G130M. See full description for details.</p> <p>(RXJ1212.2+2803-1327.3 (30.004)) Warning (Form): Defaults for SEGMENT have changed in APT25.2 for use of LP4 with G130M. See full description for details.</p> <p>(RXJ1212.2+2803-1327.4 (30.005)) Warning (Form): Defaults for SEGMENT have changed in APT25.2 for use of LP4 with G130M. See full description for details.</p> <p>(RXJ1212.2+2803-1300.1 (30.006)) Warning (Form): Defaults for SEGMENT have changed in APT25.2 for use of LP4 with G130M. See full description for details.</p> <p>(RXJ1212.2+2803-1300.2 (30.007)) Warning (Form): Defaults for SEGMENT have changed in APT25.2 for use of LP4 with G130M. See full description for details.</p> <p>(RXJ1212.2+2803-1300.3 (30.008)) Warning (Form): Defaults for SEGMENT have changed in APT25.2 for use of LP4 with G130M. See full description for details.</p> <p>(RXJ1212.2+2803-1300.4 (30.009)) Warning (Form): Defaults for SEGMENT have changed in APT25.2 for use of LP4 with G130M. See full description for details.</p>																					
Fixed Targets		<table border="1"> <thead> <tr> <th>#</th> <th>Name</th> <th>Target Coordinates</th> <th>Targ. Coord. Corrections</th> <th>Fluxes</th> <th>Miscellaneous</th> </tr> </thead> <tbody> <tr> <td>(30)</td> <td>RXJ1212.2+2803</td> <td>RA: 12 12 17.2500 (183.0718750d) Dec: +28 03 50.00 (28.06389d) Equinox: J2000</td> <td></td> <td>V=17.45+/-0.1 F=0.34; z=0.167</td> <td>Reference Frame: ICRS</td> </tr> <tr> <td colspan="6"><i>Comments: Extended=NO</i></td> </tr> </tbody> </table>					#	Name	Target Coordinates	Targ. Coord. Corrections	Fluxes	Miscellaneous	(30)	RXJ1212.2+2803	RA: 12 12 17.2500 (183.0718750d) Dec: +28 03 50.00 (28.06389d) Equinox: J2000		V=17.45+/-0.1 F=0.34; z=0.167	Reference Frame: ICRS	<i>Comments: Extended=NO</i>				
	#	Name	Target Coordinates	Targ. Coord. Corrections	Fluxes	Miscellaneous																	
(30)	RXJ1212.2+2803	RA: 12 12 17.2500 (183.0718750d) Dec: +28 03 50.00 (28.06389d) Equinox: J2000		V=17.45+/-0.1 F=0.34; z=0.167	Reference Frame: ICRS																		
<i>Comments: Extended=NO</i>																							

Proposal 14772 - RXJ1212.2+2803 (30) - Observing gas in Cosmic Web filaments to constrain simulations of cosmic structure formation

#	Label (ETC Run)	Target	Config,Mode,Aperture	Spectral Els.	Opt. Params.	Special Reqs.	Groups	Exp. Time (Total)/[Actual Dur.]	Orbit
Exposures	1	RXJ1212.2+2803-ACQ/I MAGE (COS.ta.823 607)	(30) RXJ1212.2+280 COS/NUV, ACQ/IMAGE, PSA 3	MIRRORB				86 Secs (86 Secs) [==>]	[1]
	<i>Comments: NUV acquisition exposure COS ETC result for S/N=40; GALEX M(NUV)=17.64 => texp=86 sec Count rate 899/sec</i>								
	2	RXJ1212.2+2803-1327.1 MAGE (COS.sp.823 823)	(30) RXJ1212.2+280 COS/FUV, TIME-TAG, PSA 3	G130M 1327 A	FP-POS=1; BUFFER-TIME=36 52			514 Secs (514 Secs) [==>]	[1]
	<i>Comments: Total on-source exposure time 0 sec; SN=11.6 id=COS.sp.823823</i>								
	3	RXJ1212.2+2803-1327.2 MAGE (COS.sp.823 823)	(30) RXJ1212.2+280 COS/FUV, TIME-TAG, PSA 3	G130M 1327 A	FP-POS=2; BUFFER-TIME=36 52			514 Secs (514 Secs) [==>]	[1]
	<i>Comments: Total on-source exposure time 0 sec; SN=11.6 id=COS.sp.823823</i>								
	4	RXJ1212.2+2803-1327.3 MAGE (COS.sp.823 823)	(30) RXJ1212.2+280 COS/FUV, TIME-TAG, PSA 3	G130M 1327 A	FP-POS=3; BUFFER-TIME=36 52			514 Secs (514 Secs) [==>]	[1]
	<i>Comments: Total on-source exposure time 0 sec; SN=11.6 id=COS.sp.823823</i>								
	5	RXJ1212.2+2803-1327.4 MAGE (COS.sp.823 823)	(30) RXJ1212.2+280 COS/FUV, TIME-TAG, PSA 3	G130M 1327 A	FP-POS=4; BUFFER-TIME=36 52			514 Secs (514 Secs) [==>]	[1]
<i>Comments: Total on-source exposure time 0 sec; SN=11.6 id=COS.sp.823823</i>									
6	RXJ1212.2+2803-1300.1 MAGE (COS.sp.823 823)	(30) RXJ1212.2+280 COS/FUV, TIME-TAG, PSA 3	G130M 1300 A	FP-POS=1; BUFFER-TIME=36 52			649 Secs (649 Secs) [==>]	[2]	
<i>Comments: Total on-source exposure time 0 sec; SN=11.6 id=COS.sp.823823</i>									
7	RXJ1212.2+2803-1300.2 MAGE (COS.sp.823 823)	(30) RXJ1212.2+280 COS/FUV, TIME-TAG, PSA 3	G130M 1300 A	FP-POS=2; BUFFER-TIME=36 52			649 Secs (649 Secs) [==>]	[2]	
<i>Comments: Total on-source exposure time 0 sec; SN=11.6 id=COS.sp.823823</i>									
8	RXJ1212.2+2803-1300.3 MAGE (COS.sp.823 823)	(30) RXJ1212.2+280 COS/FUV, TIME-TAG, PSA 3	G130M 1300 A	FP-POS=3; BUFFER-TIME=36 52			649 Secs (649 Secs) [==>]	[2]	
<i>Comments: Total on-source exposure time 0 sec; SN=11.6 id=COS.sp.823823</i>									
9	RXJ1212.2+2803-1300.4 MAGE (COS.sp.823 823)	(30) RXJ1212.2+280 COS/FUV, TIME-TAG, PSA 3	G130M 1300 A	FP-POS=4; BUFFER-TIME=36 52			651 Secs (651 Secs) [==>]	[2]	
<i>Comments: Total on-source exposure time 0 sec; SN=11.6 id=COS.sp.823823</i>									



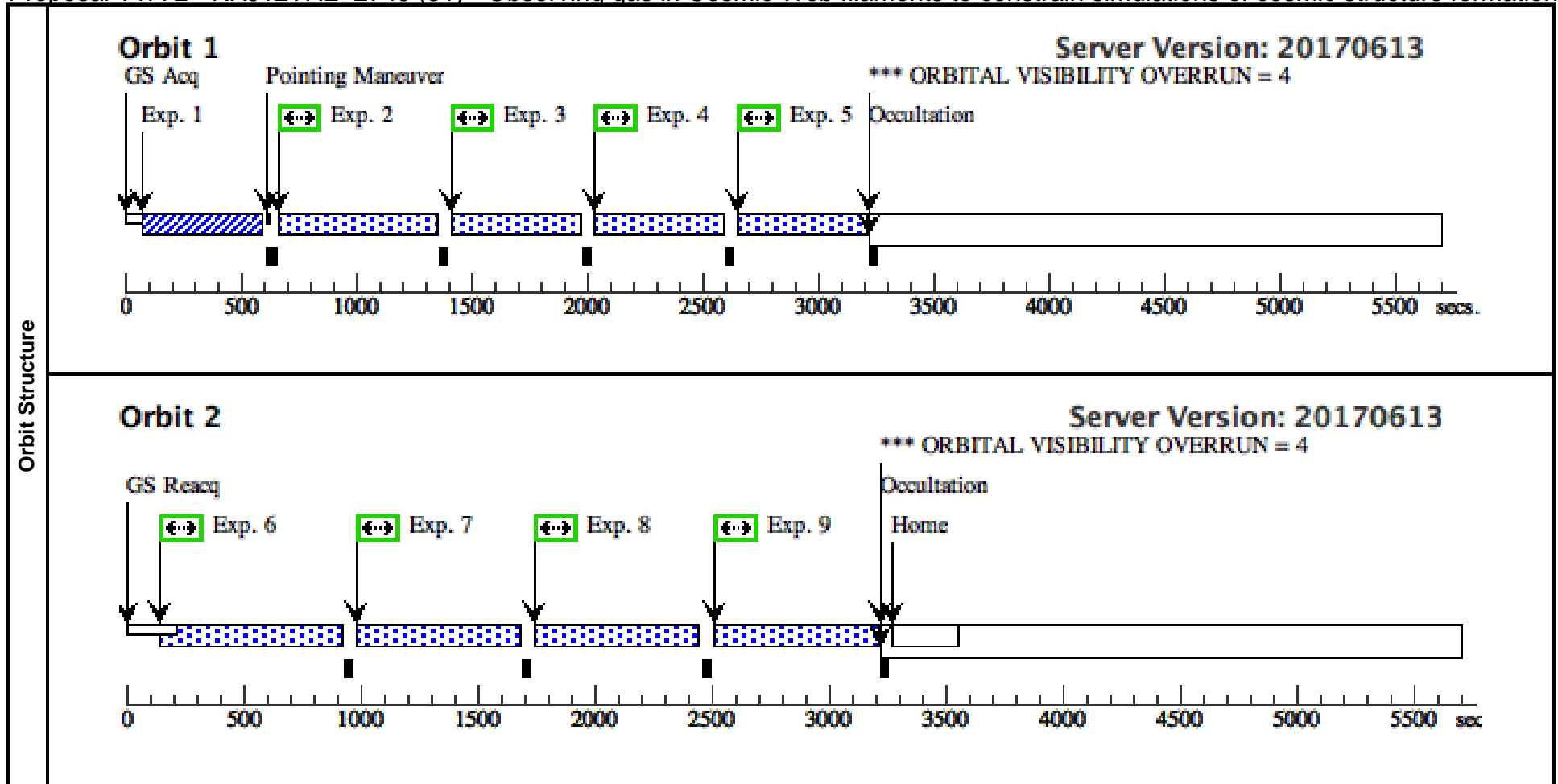
Proposal 14772 - RXJ1217.2+2749 (31) - Observing gas in Cosmic Web filaments to constrain simulations of cosmic structure formation

Mon Sep 18 21:01:51 GMT 2017

Visit	Proposal 14772, RXJ1217.2+2749 (31), completed Diagnostic Status: Error Scientific Instruments: COS/FUV, COS/NUV Special Requirements: (none)																						
	Diagnostics	(RXJ1217.2+2749-1327.1 (31.002)) Error (Form): LIFETIME-POS is required with G130M when not in Supported mode. (RXJ1217.2+2749-1327.2 (31.003)) Error (Form): LIFETIME-POS is required with G130M when not in Supported mode. (RXJ1217.2+2749-1327.3 (31.004)) Error (Form): LIFETIME-POS is required with G130M when not in Supported mode. (RXJ1217.2+2749-1327.4 (31.005)) Error (Form): LIFETIME-POS is required with G130M when not in Supported mode. (RXJ1217.2+2749-1300.1 (31.006)) Error (Form): LIFETIME-POS is required with G130M when not in Supported mode. (RXJ1217.2+2749-1300.2 (31.007)) Error (Form): LIFETIME-POS is required with G130M when not in Supported mode. (RXJ1217.2+2749-1300.3 (31.008)) Error (Form): LIFETIME-POS is required with G130M when not in Supported mode. (RXJ1217.2+2749-1300.4 (31.009)) Error (Form): LIFETIME-POS is required with G130M when not in Supported mode. (RXJ1217.2+2749 (31)) Warning (Orbit Planner): ORBITAL VISIBILITY OVERRUN (RXJ1217.2+2749 (31)) Warning (Orbit Planner): ORBITAL VISIBILITY OVERRUN (RXJ1217.2+2749-1327.1 (31.002)) Warning (Form): Defaults for SEGMENT have changed in APT25.2 for use of LP4 with G130M. See full description for details. (RXJ1217.2+2749-1327.2 (31.003)) Warning (Form): Defaults for SEGMENT have changed in APT25.2 for use of LP4 with G130M. See full description for details. (RXJ1217.2+2749-1327.3 (31.004)) Warning (Form): Defaults for SEGMENT have changed in APT25.2 for use of LP4 with G130M. See full description for details. (RXJ1217.2+2749-1327.4 (31.005)) Warning (Form): Defaults for SEGMENT have changed in APT25.2 for use of LP4 with G130M. See full description for details. (RXJ1217.2+2749-1300.1 (31.006)) Warning (Form): Defaults for SEGMENT have changed in APT25.2 for use of LP4 with G130M. See full description for details. (RXJ1217.2+2749-1300.2 (31.007)) Warning (Form): Defaults for SEGMENT have changed in APT25.2 for use of LP4 with G130M. See full description for details. (RXJ1217.2+2749-1300.3 (31.008)) Warning (Form): Defaults for SEGMENT have changed in APT25.2 for use of LP4 with G130M. See full description for details. (RXJ1217.2+2749-1300.4 (31.009)) Warning (Form): Defaults for SEGMENT have changed in APT25.2 for use of LP4 with G130M. See full description for details.																					
Fixed Targets		<table border="1"> <thead> <tr> <th>#</th> <th>Name</th> <th>Target Coordinates</th> <th>Targ. Coord. Corrections</th> <th>Fluxes</th> <th>Miscellaneous</th> </tr> </thead> <tbody> <tr> <td>(31)</td> <td>RXJ1217.2+2749</td> <td>RA: 12 17 15.2600 (184.3135833d) Dec: +27 49 51.00 (27.83083d) Equinox: J2000</td> <td></td> <td>V=17.43+/-0.1 F=0.27; z=0.394</td> <td>Reference Frame: ICRS</td> </tr> <tr> <td colspan="6"><i>Comments: Extended=NO</i></td> </tr> </tbody> </table>					#	Name	Target Coordinates	Targ. Coord. Corrections	Fluxes	Miscellaneous	(31)	RXJ1217.2+2749	RA: 12 17 15.2600 (184.3135833d) Dec: +27 49 51.00 (27.83083d) Equinox: J2000		V=17.43+/-0.1 F=0.27; z=0.394	Reference Frame: ICRS	<i>Comments: Extended=NO</i>				
	#	Name	Target Coordinates	Targ. Coord. Corrections	Fluxes	Miscellaneous																	
(31)	RXJ1217.2+2749	RA: 12 17 15.2600 (184.3135833d) Dec: +27 49 51.00 (27.83083d) Equinox: J2000		V=17.43+/-0.1 F=0.27; z=0.394	Reference Frame: ICRS																		
<i>Comments: Extended=NO</i>																							

Proposal 14772 - RXJ1217.2+2749 (31) - Observing gas in Cosmic Web filaments to constrain simulations of cosmic structure formation

#	Label (ETC Run)	Target	Config,Mode,Aperture	Spectral Els.	Opt. Params.	Special Reqs.	Groups	Exp. Time (Total)/[Actual Dur.]	Orbit	
Exposures	1	RXJ1217.2+2749-ACQ/I 9 MAGE (COS.ta.823 608)	(31) RXJ1217.2+274 COS/NUV, ACQ/IMAGE, PSA	MIRRORB				103 Secs (103 Secs) [==>]	[1]	
	<i>Comments: NUV acquisition exposure COS ETC result for S/N=40; GALEX M(NUV)=17.83 => texp=103 sec Count rate 894/sec</i>									
	2	RXJ1217.2+2749-1327.1 9 (COS.sp.823 824)	(31) RXJ1217.2+274 COS/FUV, TIME-TAG, PSA	G130M 1327 A	FP-POS=1; BUFFER-TIME=38 56			505 Secs (505 Secs) [==>]	[1]	
	<i>Comments: Total on-source exposure time 0 sec; SN=10.3 id=COS.sp.823824</i>									
	3	RXJ1217.2+2749-1327.2 9 (COS.sp.823 824)	(31) RXJ1217.2+274 COS/FUV, TIME-TAG, PSA	G130M 1327 A	FP-POS=2; BUFFER-TIME=38 56			505 Secs (505 Secs) [==>]	[1]	
	<i>Comments: Total on-source exposure time 0 sec; SN=10.3 id=COS.sp.823824</i>									
	4	RXJ1217.2+2749-1327.3 9 (COS.sp.823 824)	(31) RXJ1217.2+274 COS/FUV, TIME-TAG, PSA	G130M 1327 A	FP-POS=3; BUFFER-TIME=38 56			505 Secs (505 Secs) [==>]	[1]	
	<i>Comments: Total on-source exposure time 0 sec; SN=10.3 id=COS.sp.823824</i>									
	5	RXJ1217.2+2749-1327.4 9 (COS.sp.823 824)	(31) RXJ1217.2+274 COS/FUV, TIME-TAG, PSA	G130M 1327 A	FP-POS=4; BUFFER-TIME=38 56			507 Secs (507 Secs) [==>]	[1]	
<i>Comments: Total on-source exposure time 0 sec; SN=10.3 id=COS.sp.823824</i>										
6	RXJ1217.2+2749-1300.1 9 (COS.sp.823 824)	(31) RXJ1217.2+274 COS/FUV, TIME-TAG, PSA	G130M 1300 A	FP-POS=1; BUFFER-TIME=38 56			649 Secs (649 Secs) [==>]	[2]		
<i>Comments: Total on-source exposure time 0 sec; SN=10.3 id=COS.sp.823824</i>										
7	RXJ1217.2+2749-1300.2 9 (COS.sp.823 824)	(31) RXJ1217.2+274 COS/FUV, TIME-TAG, PSA	G130M 1300 A	FP-POS=2; BUFFER-TIME=38 56			649 Secs (649 Secs) [==>]	[2]		
<i>Comments: Total on-source exposure time 0 sec; SN=10.3 id=COS.sp.823824</i>										
8	RXJ1217.2+2749-1300.3 9 (COS.sp.823 824)	(31) RXJ1217.2+274 COS/FUV, TIME-TAG, PSA	G130M 1300 A	FP-POS=3; BUFFER-TIME=38 56			649 Secs (649 Secs) [==>]	[2]		
<i>Comments: Total on-source exposure time 0 sec; SN=10.3 id=COS.sp.823824</i>										
9	RXJ1217.2+2749-1300.4 9 (COS.sp.823 824)	(31) RXJ1217.2+274 COS/FUV, TIME-TAG, PSA	G130M 1300 A	FP-POS=4; BUFFER-TIME=38 56			651 Secs (651 Secs) [==>]	[2]		
<i>Comments: Total on-source exposure time 0 sec; SN=10.3 id=COS.sp.823824</i>										



Proposal 14772 - SDSSJ104550.90+441815.0 (32) - Observing gas in Cosmic Web filaments to constrain simulations of cosmic struct...

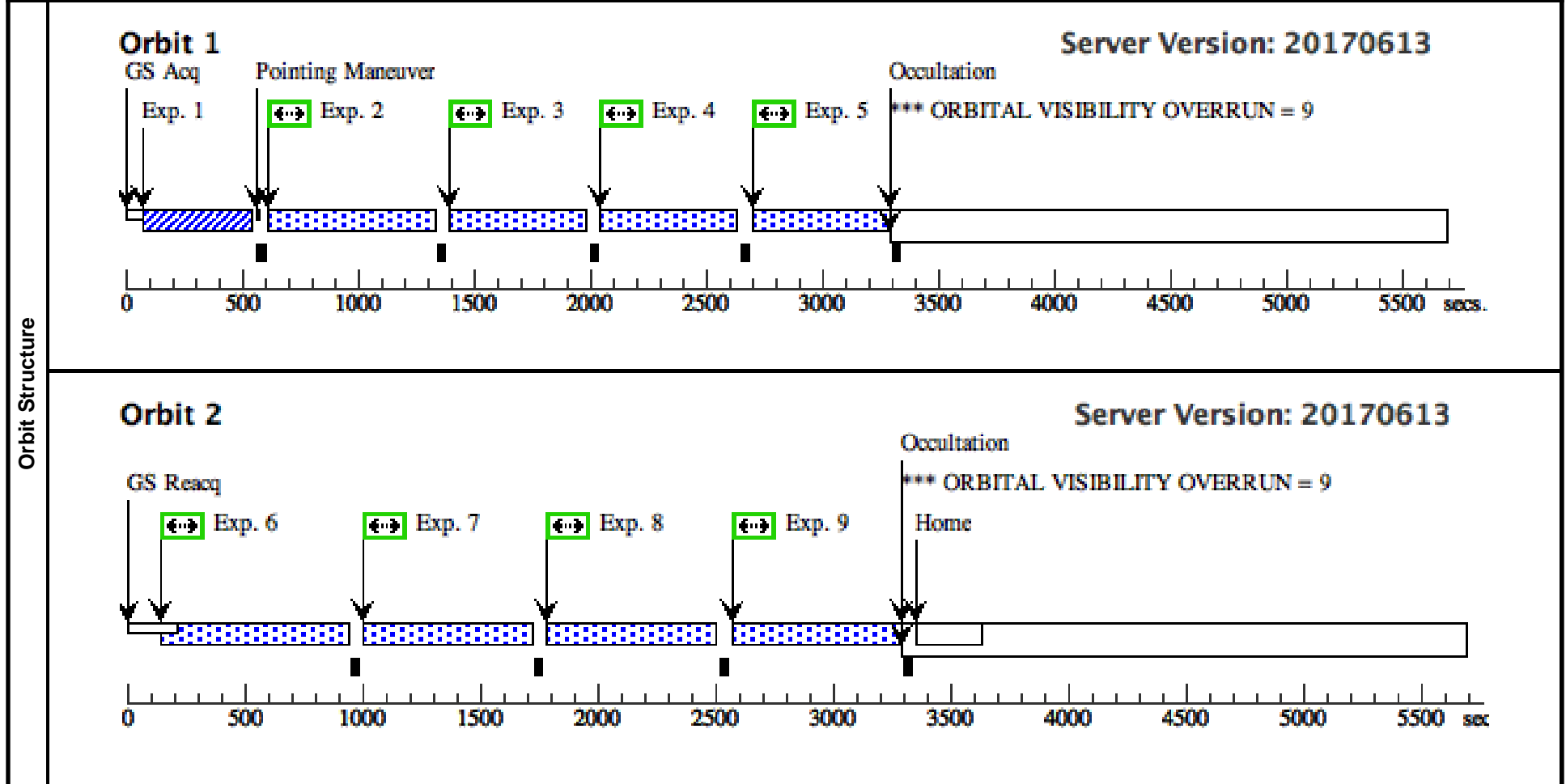
Visit	Proposal 14772, SDSSJ104550.90+441815.0 (32), implementation Mon Sep 18 21:01:51 GMT 2017																
	Diagnostic Status: Warning Scientific Instruments: COS/FUV, COS/NUV Special Requirements: (none)																
Diagnostics	(SDSSJ104550.90+441815.0 (32)) Warning (Orbit Planner): ORBITAL VISIBILITY OVERRUN																
	(SDSSJ104550.90+441815.0 (32)) Warning (Orbit Planner): ORBITAL VISIBILITY OVERRUN																
Fixed Targets	<table border="1" style="width: 100%; border-collapse: collapse;"> <thead> <tr> <th style="width: 5%;">#</th> <th style="width: 20%;">Name</th> <th style="width: 30%;">Target Coordinates</th> <th style="width: 20%;">Targ. Coord. Corrections</th> <th style="width: 15%;">Fluxes</th> <th style="width: 10%;">Miscellaneous</th> </tr> </thead> <tbody> <tr> <td>(32)</td> <td>SDSSJ104550.90+441815.0</td> <td>RA: 10 45 50.8500 (161.4618750d) Dec: +44 18 15.60 (44.30433d) Equinox: J2000</td> <td></td> <td>V=17.17+/-0.1 F=0.24; z=0.929</td> <td>Reference Frame: ICRS</td> </tr> </tbody> </table>					#	Name	Target Coordinates	Targ. Coord. Corrections	Fluxes	Miscellaneous	(32)	SDSSJ104550.90+441815.0	RA: 10 45 50.8500 (161.4618750d) Dec: +44 18 15.60 (44.30433d) Equinox: J2000		V=17.17+/-0.1 F=0.24; z=0.929	Reference Frame: ICRS
	#	Name	Target Coordinates	Targ. Coord. Corrections	Fluxes	Miscellaneous											
(32)	SDSSJ104550.90+441815.0	RA: 10 45 50.8500 (161.4618750d) Dec: +44 18 15.60 (44.30433d) Equinox: J2000		V=17.17+/-0.1 F=0.24; z=0.929	Reference Frame: ICRS												
<i>Comments: Extended=NO</i>																	

Proposal 14772 - SDSSJ104550.90+441815.0 (32) - Observing gas in Cosmic Web filaments to constrain simulations of cosmic struct...

#	Label (ETC Run)	Target	Config,Mode,Aperture	Spectral Els.	Opt. Params.	Special Reqs.	Groups	Exp. Time (Total)/[Actual Dur.]	Orbit	
Exposures	1	SDSSJ1045 50.90+4418 15.0-ACQ/I MAGE (COS.ta.823 609)	(32) SDSSJ104550.9 0+441815.0	COS/NUV, ACQ/IMAGE, PSA	MIRRORB			78 Secs (78 Secs) [==>]	[1]	
	<i>Comments: NUV acquisition exposure COS ETC result for S/N=40; GALEX M(NUV)=17.53 => texp=78 sec Count rate 902/sec</i>									
	2	SDSSJ1045 50.90+4418 15.0-1327.1 (COS.sp.823 825)	(32) SDSSJ104550.9 0+441815.0	COS/FUV, TIME-TAG, PSA	G130M 1327 A	FP-POS=1; BUFFER-TIME=39 51; LIFETIME-POS=L P3			537 Secs (537 Secs) [==>]	[1]
	<i>Comments: Total on-source exposure time 0 sec; SN=9.9 id=COS.sp.823825</i>									
	3	SDSSJ1045 50.90+4418 15.0-1327.2 (COS.sp.823 825)	(32) SDSSJ104550.9 0+441815.0	COS/FUV, TIME-TAG, PSA	G130M 1327 A	FP-POS=2; BUFFER-TIME=39 51; LIFETIME-POS=L P3			537 Secs (537 Secs) [==>]	[1]
	<i>Comments: Total on-source exposure time 0 sec; SN=9.9 id=COS.sp.823825</i>									
	4	SDSSJ1045 50.90+4418 15.0-1327.3 (COS.sp.823 825)	(32) SDSSJ104550.9 0+441815.0	COS/FUV, TIME-TAG, PSA	G130M 1327 A	FP-POS=3; BUFFER-TIME=39 51; LIFETIME-POS=L P3			537 Secs (537 Secs) [==>]	[1]
<i>Comments: Total on-source exposure time 0 sec; SN=9.9 id=COS.sp.823825</i>										
5	SDSSJ1045 50.90+4418 15.0-1327.4 (COS.sp.823 825)	(32) SDSSJ104550.9 0+441815.0	COS/FUV, TIME-TAG, PSA	G130M 1327 A	FP-POS=4; BUFFER-TIME=39 51; LIFETIME-POS=L P3			539 Secs (539 Secs) [==>]	[1]	
<i>Comments: Total on-source exposure time 0 sec; SN=9.9 id=COS.sp.823825</i>										
6	SDSSJ1045 50.90+4418 15.0-1300.1 (COS.sp.823 825)	(32) SDSSJ104550.9 0+441815.0	COS/FUV, TIME-TAG, PSA	G130M 1300 A	FP-POS=1; BUFFER-TIME=39 51; LIFETIME-POS=L P3			669 Secs (669 Secs) [==>]	[2]	
<i>Comments: Total on-source exposure time 0 sec; SN=9.9 id=COS.sp.823825</i>										
7	SDSSJ1045 50.90+4418 15.0-1300.2 (COS.sp.823 825)	(32) SDSSJ104550.9 0+441815.0	COS/FUV, TIME-TAG, PSA	G130M 1300 A	FP-POS=2; BUFFER-TIME=39 51; LIFETIME-POS=L P3			669 Secs (669 Secs) [==>]	[2]	
<i>Comments: Total on-source exposure time 0 sec; SN=9.9 id=COS.sp.823825</i>										

Proposal 14772 - SDSSJ104550.90+441815.0 (32) - Observing gas in Cosmic Web filaments to constrain simulations of cosmic struct...

8	SDSSJ1045 50.90+4418 15.0-1300.3 (COS.sp.823 825)	(32) SDSSJ104550.9 0+441815.0	COS/FUV, TIME-TAG, PSA	G130M 1300 A	FP-POS=3; BUFFER-TIME=39 51; LIFETIME-POS=L P3	669 Secs (669 Secs) [==>]	[2]
Comments: Total on-source exposure time 0 sec; SN=9.9 id=COS.sp.823825							
9	SDSSJ1045 50.90+4418 15.0-1300.4 (COS.sp.823 825)	(32) SDSSJ104550.9 0+441815.0	COS/FUV, TIME-TAG, PSA	G130M 1300 A	FP-POS=4; BUFFER-TIME=39 51; LIFETIME-POS=L P3	669 Secs (669 Secs) [==>]	[2]
Comments: Total on-source exposure time 0 sec; SN=9.9 id=COS.sp.823825							



Proposal 14772 - SDSSJ110756.50+474434.0 (33) - Observing gas in Cosmic Web filaments to constrain simulations of cosmic struct...

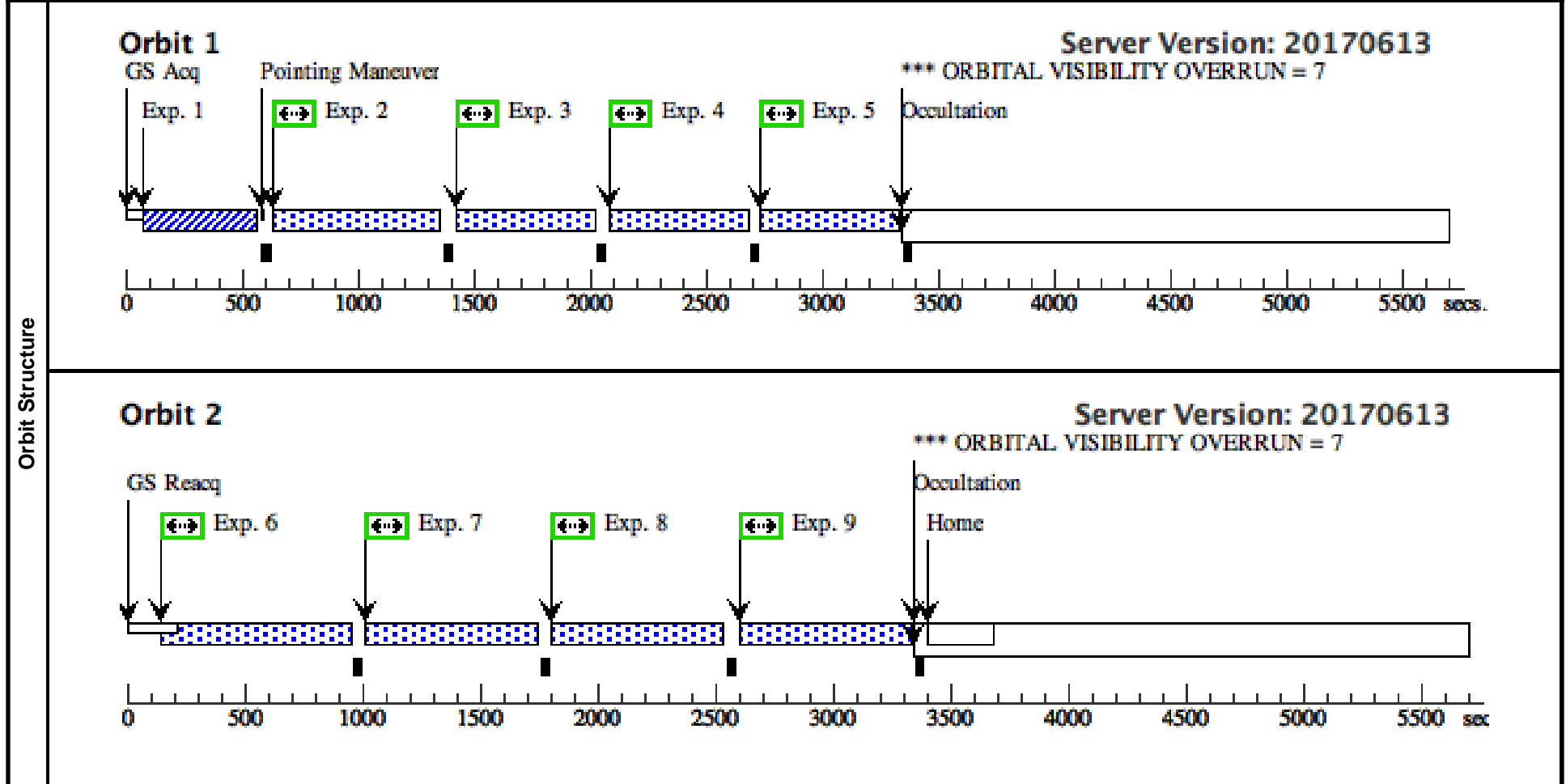
Visit	Proposal 14772, SDSSJ110756.50+474434.0 (33), implementation Mon Sep 18 21:01:51 GMT 2017 Diagnostic Status: Warning Scientific Instruments: COS/FUV, COS/NUV Special Requirements: (none)																
	Diagnosics (SDSSJ110756.50+474434.0 (33)) Warning (Orbit Planner): ORBITAL VISIBILITY OVERRUN (SDSSJ110756.50+474434.0 (33)) Warning (Orbit Planner): ORBITAL VISIBILITY OVERRUN																
Fixed Targets	<table border="1"> <thead> <tr> <th>#</th> <th>Name</th> <th>Target Coordinates</th> <th>Targ. Coord. Corrections</th> <th>Fluxes</th> <th>Miscellaneous</th> </tr> </thead> <tbody> <tr> <td>(33)</td> <td>SDSSJ110756.50+474434.0</td> <td>RA: 11 07 56.5500 (166.9856250d) Dec: +47 44 34.80 (47.74300d) Equinox: J2000</td> <td></td> <td>V=16.99+/-0.1 F=0.25; z=0.073</td> <td>Reference Frame: ICRS</td> </tr> </tbody> </table>					#	Name	Target Coordinates	Targ. Coord. Corrections	Fluxes	Miscellaneous	(33)	SDSSJ110756.50+474434.0	RA: 11 07 56.5500 (166.9856250d) Dec: +47 44 34.80 (47.74300d) Equinox: J2000		V=16.99+/-0.1 F=0.25; z=0.073	Reference Frame: ICRS
	#	Name	Target Coordinates	Targ. Coord. Corrections	Fluxes	Miscellaneous											
(33)	SDSSJ110756.50+474434.0	RA: 11 07 56.5500 (166.9856250d) Dec: +47 44 34.80 (47.74300d) Equinox: J2000		V=16.99+/-0.1 F=0.25; z=0.073	Reference Frame: ICRS												
Comments: Extended=NO																	

Proposal 14772 - SDSSJ110756.50+474434.0 (33) - Observing gas in Cosmic Web filaments to constrain simulations of cosmic struct...

#	Label (ETC Run)	Target	Config,Mode,Aperture	Spectral Els.	Opt. Params.	Special Reqs.	Groups	Exp. Time (Total)/[Actual Dur.]	Orbit	
Exposures	1	SDSSJ1107 56.50+4744 34.0-ACQ/I MAGE (COS.ta.823 610)	(33) SDSSJ110756.5 0+474434.0	COS/NUV, ACQ/IMAGE, PSA	MIRRORB			88 Secs (88 Secs) [==>]	[1]	
	<i>Comments: NUV acquisition exposure COS ETC result for S/N=40; GALEX M(NUV)=17.66 => texp=88 sec Count rate 898/sec</i>									
	2	SDSSJ1107 56.50+4744 34.0-1327.1 (COS.sp.823 826)	(33) SDSSJ110756.5 0+474434.0	COS/FUV, TIME-TAG, PSA	G130M 1327 A	FP-POS=1; BUFFER-TIME=39 19; LIFETIME-POS=L P3			543 Secs (543 Secs) [==>]	[1]
	<i>Comments: Total on-source exposure time 0 sec; SN=10.2 id=COS.sp.823826</i>									
	3	SDSSJ1107 56.50+4744 34.0-1327.2 (COS.sp.823 826)	(33) SDSSJ110756.5 0+474434.0	COS/FUV, TIME-TAG, PSA	G130M 1327 A	FP-POS=2; BUFFER-TIME=39 19; LIFETIME-POS=L P3			543 Secs (543 Secs) [==>]	[1]
	<i>Comments: Total on-source exposure time 0 sec; SN=10.2 id=COS.sp.823826</i>									
	4	SDSSJ1107 56.50+4744 34.0-1327.3 (COS.sp.823 826)	(33) SDSSJ110756.5 0+474434.0	COS/FUV, TIME-TAG, PSA	G130M 1327 A	FP-POS=3; BUFFER-TIME=39 19; LIFETIME-POS=L P3			543 Secs (543 Secs) [==>]	[1]
<i>Comments: Total on-source exposure time 0 sec; SN=10.2 id=COS.sp.823826</i>										
5	SDSSJ1107 56.50+4744 34.0-1327.4 (COS.sp.823 826)	(33) SDSSJ110756.5 0+474434.0	COS/FUV, TIME-TAG, PSA	G130M 1327 A	FP-POS=4; BUFFER-TIME=39 19; LIFETIME-POS=L P3			546 Secs (546 Secs) [==>]	[1]	
<i>Comments: Total on-source exposure time 0 sec; SN=10.2 id=COS.sp.823826</i>										
6	SDSSJ1107 56.50+4744 34.0-1300.1 (COS.sp.823 826)	(33) SDSSJ110756.5 0+474434.0	COS/FUV, TIME-TAG, PSA	G130M 1300 A	FP-POS=1; BUFFER-TIME=39 19; LIFETIME-POS=L P3			680 Secs (680 Secs) [==>]	[2]	
<i>Comments: Total on-source exposure time 0 sec; SN=10.2 id=COS.sp.823826</i>										
7	SDSSJ1107 56.50+4744 34.0-1300.2 (COS.sp.823 826)	(33) SDSSJ110756.5 0+474434.0	COS/FUV, TIME-TAG, PSA	G130M 1300 A	FP-POS=2; BUFFER-TIME=39 19; LIFETIME-POS=L P3			680 Secs (680 Secs) [==>]	[2]	
<i>Comments: Total on-source exposure time 0 sec; SN=10.2 id=COS.sp.823826</i>										

Proposal 14772 - SDSSJ110756.50+474434.0 (33) - Observing gas in Cosmic Web filaments to constrain simulations of cosmic struct...

8	SDSSJ1107 (33) SDSSJ110756.5 COS/FUV, TIME-TAG, PSA 56.50+4744 0+474434.0 34.0-1300.3 (COS.sp.823 826)	G130M 1300 A	FP-POS=3; BUFFER-TIME=39 19; LIFETIME-POS=L P3	680 Secs (680 Secs)	[==>]	[2]
<i>Comments: Total on-source exposure time 0 sec; SN=10.2 id=COS.sp.823826</i>						
9	SDSSJ1107 (33) SDSSJ110756.5 COS/FUV, TIME-TAG, PSA 56.50+4744 0+474434.0 34.0-1300.4 (COS.sp.823 826)	G130M 1300 A	FP-POS=4; BUFFER-TIME=39 19; LIFETIME-POS=L P3	681 Secs (681 Secs)	[==>]	[2]
<i>Comments: Total on-source exposure time 0 sec; SN=10.2 id=COS.sp.823826</i>						



Proposal 14772 - SDSSJ111908.70+254505.0 (34) - Observing gas in Cosmic Web filaments to constrain simulations of cosmic struct...

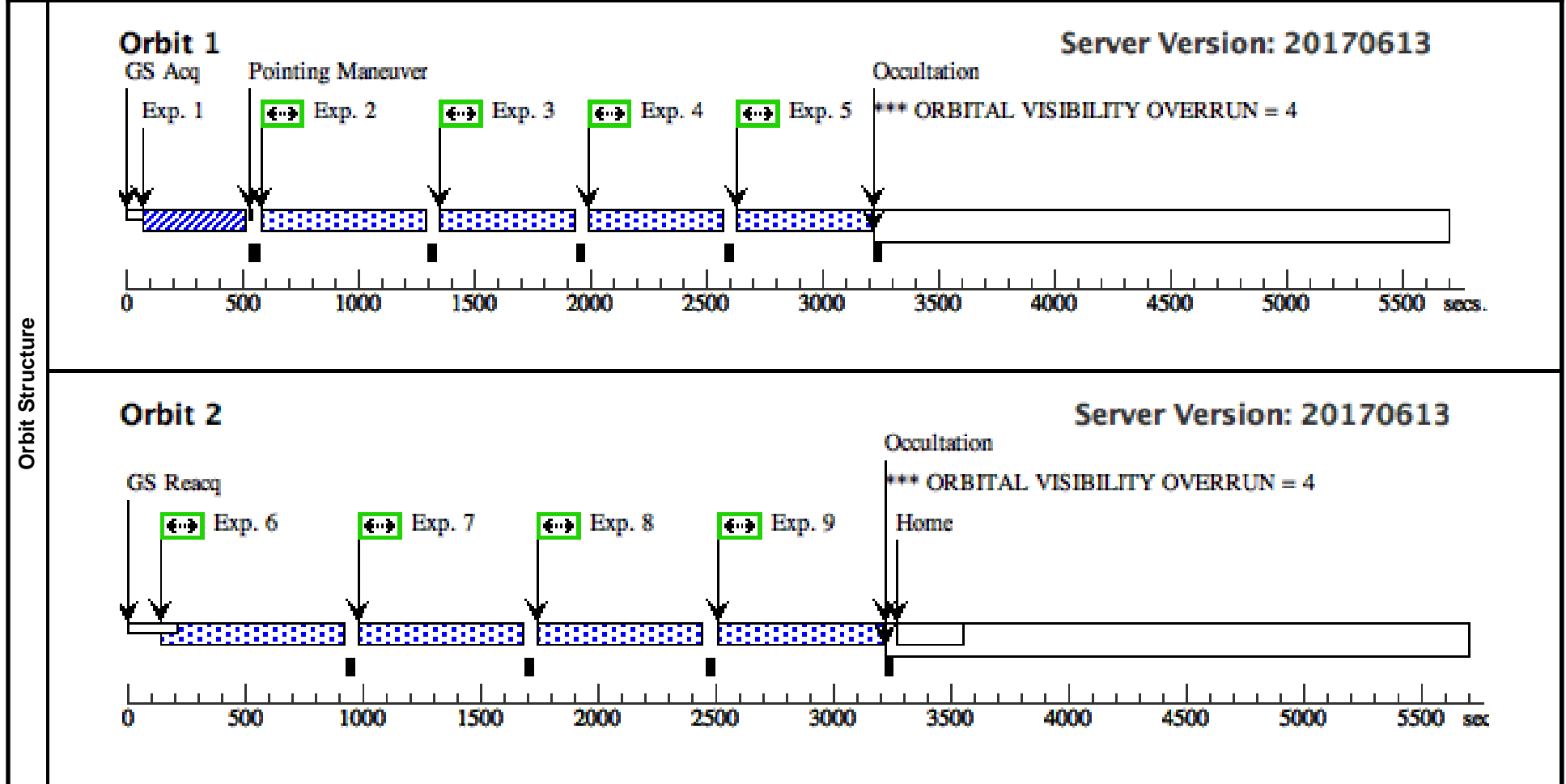
Visit	Proposal 14772, SDSSJ111908.70+254505.0 (34), implementation Mon Sep 18 21:01:51 GMT 2017																
	Diagnostic Status: Warning Scientific Instruments: COS/FUV, COS/NUV Special Requirements: (none)																
Diagnostics	(SDSSJ111908.70+254505.0 (34)) Warning (Orbit Planner): ORBITAL VISIBILITY OVERRUN																
	(SDSSJ111908.70+254505.0 (34)) Warning (Orbit Planner): ORBITAL VISIBILITY OVERRUN																
Fixed Targets	<table border="1" style="width: 100%; border-collapse: collapse;"> <thead> <tr> <th style="width: 5%;">#</th> <th style="width: 20%;">Name</th> <th style="width: 30%;">Target Coordinates</th> <th style="width: 20%;">Targ. Coord. Corrections</th> <th style="width: 15%;">Fluxes</th> <th style="width: 10%;">Miscellaneous</th> </tr> </thead> <tbody> <tr> <td>(34)</td> <td>SDSSJ111908.70+254505.0</td> <td>RA: 11 19 8.7300 (169.7863750d) Dec: +25 45 5.20 (25.75144d) Equinox: J2000</td> <td></td> <td>V=17.39+/-0.1 F=0.31; z=0.580</td> <td>Reference Frame: ICRS</td> </tr> </tbody> </table>					#	Name	Target Coordinates	Targ. Coord. Corrections	Fluxes	Miscellaneous	(34)	SDSSJ111908.70+254505.0	RA: 11 19 8.7300 (169.7863750d) Dec: +25 45 5.20 (25.75144d) Equinox: J2000		V=17.39+/-0.1 F=0.31; z=0.580	Reference Frame: ICRS
	#	Name	Target Coordinates	Targ. Coord. Corrections	Fluxes	Miscellaneous											
(34)	SDSSJ111908.70+254505.0	RA: 11 19 8.7300 (169.7863750d) Dec: +25 45 5.20 (25.75144d) Equinox: J2000		V=17.39+/-0.1 F=0.31; z=0.580	Reference Frame: ICRS												
<i>Comments: Extended=NO</i>																	

Proposal 14772 - SDSSJ111908.70+254505.0 (34) - Observing gas in Cosmic Web filaments to constrain simulations of cosmic struct...

#	Label (ETC Run)	Target	Config,Mode,Aperture	Spectral Els.	Opt. Params.	Special Reqs.	Groups	Exp. Time (Total)/[Actual Dur.]	Orbit	
Exposures	1	SDSSJ1119 08.70+2545 05.0-ACQ/I MAGE (COS.ta.823 611)	(34) SDSSJ111908.7 0+254505.0	COS/NUV, ACQ/IMAGE, PSA	MIRRORB			63 Secs (63 Secs) [==>]	[1]	
	<i>Comments: NUV acquisition exposure COS ETC result for S/N=40; GALEX M(NUV)=17.29 => texp=63 sec Count rate 910/sec</i>									
	2	SDSSJ1119 08.70+2545 05.0-1327.1 (COS.sp.823 827)	(34) SDSSJ111908.7 0+254505.0	COS/FUV, TIME-TAG, PSA	G130M 1327 A	FP-POS=1; BUFFER-TIME=37 36; LIFETIME-POS=L P3			525 Secs (525 Secs) [==>]	[1]
	<i>Comments: Total on-source exposure time 0 sec; SN=11.1 id=COS.sp.823827</i>									
	3	SDSSJ1119 08.70+2545 05.0-1327.2 (COS.sp.823 827)	(34) SDSSJ111908.7 0+254505.0	COS/FUV, TIME-TAG, PSA	G130M 1327 A	FP-POS=2; BUFFER-TIME=37 36; LIFETIME-POS=L P3			525 Secs (525 Secs) [==>]	[1]
	<i>Comments: Total on-source exposure time 0 sec; SN=11.1 id=COS.sp.823827</i>									
	4	SDSSJ1119 08.70+2545 05.0-1327.3 (COS.sp.823 827)	(34) SDSSJ111908.7 0+254505.0	COS/FUV, TIME-TAG, PSA	G130M 1327 A	FP-POS=3; BUFFER-TIME=37 36; LIFETIME-POS=L P3			525 Secs (525 Secs) [==>]	[1]
<i>Comments: Total on-source exposure time 0 sec; SN=11.1 id=COS.sp.823827</i>										
5	SDSSJ1119 08.70+2545 05.0-1327.4 (COS.sp.823 827)	(34) SDSSJ111908.7 0+254505.0	COS/FUV, TIME-TAG, PSA	G130M 1327 A	FP-POS=4; BUFFER-TIME=37 36; LIFETIME-POS=L P3			527 Secs (527 Secs) [==>]	[1]	
<i>Comments: Total on-source exposure time 0 sec; SN=11.1 id=COS.sp.823827</i>										
6	SDSSJ1119 08.70+2545 05.0-1300.1 (COS.sp.823 827)	(34) SDSSJ111908.7 0+254505.0	COS/FUV, TIME-TAG, PSA	G130M 1300 A	FP-POS=1; BUFFER-TIME=37 36; LIFETIME-POS=L P3			649 Secs (649 Secs) [==>]	[2]	
<i>Comments: Total on-source exposure time 0 sec; SN=11.1 id=COS.sp.823827</i>										
7	SDSSJ1119 08.70+2545 05.0-1300.2 (COS.sp.823 827)	(34) SDSSJ111908.7 0+254505.0	COS/FUV, TIME-TAG, PSA	G130M 1300 A	FP-POS=2; BUFFER-TIME=37 36; LIFETIME-POS=L P3			649 Secs (649 Secs) [==>]	[2]	
<i>Comments: Total on-source exposure time 0 sec; SN=11.1 id=COS.sp.823827</i>										

Proposal 14772 - SDSSJ111908.70+254505.0 (34) - Observing gas in Cosmic Web filaments to constrain simulations of cosmic struct...

8	SDSSJ1119 (34) SDSSJ111908.7 COS/FUV, TIME-TAG, PSA 08.70+2545 0+254505.0 05.0-1300.3 (COS.sp.823 827)	G130M 1300 A	FP-POS=3; BUFFER-TIME=37 36; LIFETIME-POS=L P3	649 Secs (649 Secs)	[2]
<i>Comments: Total on-source exposure time 0 sec; SN=11.1 id=COS.sp.823827</i>					
9	SDSSJ1119 (34) SDSSJ111908.7 COS/FUV, TIME-TAG, PSA 08.70+2545 0+254505.0 05.0-1300.4 (COS.sp.823 827)	G130M 1300 A	FP-POS=4; BUFFER-TIME=37 36; LIFETIME-POS=L P3	651 Secs (651 Secs)	[2]
<i>Comments: Total on-source exposure time 0 sec; SN=11.1 id=COS.sp.823827</i>					

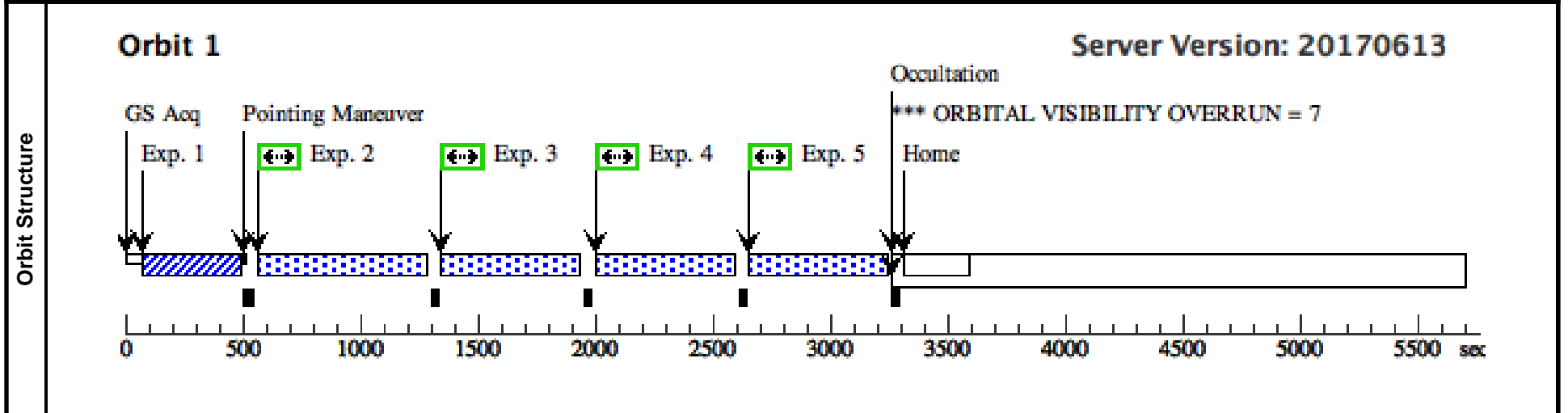


Proposal 14772 - SDSSJ114646.00+371511.0 (35) - Observing gas in Cosmic Web filaments to constrain simulations of cosmic struct...

Visit	Proposal 14772, SDSSJ114646.00+371511.0 (35), completed Mon Sep 18 21:01:51 GMT 2017 Diagnostic Status: Error Scientific Instruments: COS/FUV, COS/NUV Special Requirements: (none)					
	Diagnostics	(SDSSJ114646.00+371511.0-1327.1 (35.002)) Error (Form): LIFETIME-POS is required with G130M when not in Supported mode.				
(SDSSJ114646.00+371511.0-1327.2 (35.003)) Error (Form): LIFETIME-POS is required with G130M when not in Supported mode.						
(SDSSJ114646.00+371511.0-1327.3 (35.004)) Error (Form): LIFETIME-POS is required with G130M when not in Supported mode.						
(SDSSJ114646.00+371511.0-1327.4 (35.005)) Error (Form): LIFETIME-POS is required with G130M when not in Supported mode.						
(SDSSJ114646.00+371511.0 (35)) Warning (Orbit Planner): ORBITAL VISIBILITY OVERRUN						
Fixed Targets	(SDSSJ114646.00+371511.0-1327.1 (35.002)) Warning (Form): Defaults for SEGMENT have changed in APT25.2 for use of LP4 with G130M. See full description for details.					
	(SDSSJ114646.00+371511.0-1327.2 (35.003)) Warning (Form): Defaults for SEGMENT have changed in APT25.2 for use of LP4 with G130M. See full description for details.					
	(SDSSJ114646.00+371511.0-1327.3 (35.004)) Warning (Form): Defaults for SEGMENT have changed in APT25.2 for use of LP4 with G130M. See full description for details.					
	(SDSSJ114646.00+371511.0-1327.4 (35.005)) Warning (Form): Defaults for SEGMENT have changed in APT25.2 for use of LP4 with G130M. See full description for details.					
	(SDSSJ114646.00+371511.0-1327.4 (35.005)) Warning (Form): Defaults for SEGMENT have changed in APT25.2 for use of LP4 with G130M. See full description for details.					
	#	Name	Target Coordinates	Targ. Coord. Corrections	Fluxes	Miscellaneous
	(35)	SDSSJ114646.00+371511.0	RA: 11 46 46.0000 (176.6916667d) Dec: +37 15 11.00 (37.25306d) Equinox: J2000		V=17.21+/-0.1 F=0.48; z=0.295	Reference Frame: ICRS
	<i>Comments: Extended=NO</i>					

Proposal 14772 - SDSSJ114646.00+371511.0 (35) - Observing gas in Cosmic Web filaments to constrain simulations of cosmic struct...

#	Label (ETC Run)	Target	Config,Mode,Aperture	Spectral Els.	Opt. Params.	Special Reqs.	Groups	Exp. Time (Total)/[Actual Dur.]	Orbit
1	SDSSJ1146 46.00+3715 11.0-ACQ/I MAGE (COS.ta.823 612)	(35) SDSSJ114646.0 0+371511.0	COS/NUV, ACQ/IMAGE, PSA	MIRRORB				52 Secs (52 Secs) [==>]	[1]
<i>Comments: NUV acquisition exposure COS ETC result for S/N=40; GALEX M(NUV)=17.10 => texp=52 sec Count rate 917/sec</i>									
2	SDSSJ1146 46.00+3715 11.0-1327.1 (COS.sp.823 828)	(35) SDSSJ114646.0 0+371511.0	COS/FUV, TIME-TAG, PSA	G130M 1327 A	FP-POS=1; BUFFER-TIME=33 01			540 Secs (540 Secs) [==>]	[1]
<i>Comments: Total on-source exposure time 0 sec; SN=9.4 id=COS.sp.823828</i>									
3	SDSSJ1146 46.00+3715 11.0-1327.2 (COS.sp.823 828)	(35) SDSSJ114646.0 0+371511.0	COS/FUV, TIME-TAG, PSA	G130M 1327 A	FP-POS=2; BUFFER-TIME=33 01			540 Secs (540 Secs) [==>]	[1]
<i>Comments: Total on-source exposure time 0 sec; SN=9.4 id=COS.sp.823828</i>									
4	SDSSJ1146 46.00+3715 11.0-1327.3 (COS.sp.823 828)	(35) SDSSJ114646.0 0+371511.0	COS/FUV, TIME-TAG, PSA	G130M 1327 A	FP-POS=3; BUFFER-TIME=33 01			540 Secs (540 Secs) [==>]	[1]
<i>Comments: Total on-source exposure time 0 sec; SN=9.4 id=COS.sp.823828</i>									
5	SDSSJ1146 46.00+3715 11.0-1327.4 (COS.sp.823 828)	(35) SDSSJ114646.0 0+371511.0	COS/FUV, TIME-TAG, PSA	G130M 1327 A	FP-POS=4; BUFFER-TIME=33 01			542 Secs (542 Secs) [==>]	[1]
<i>Comments: Total on-source exposure time 0 sec; SN=9.4 id=COS.sp.823828</i>									



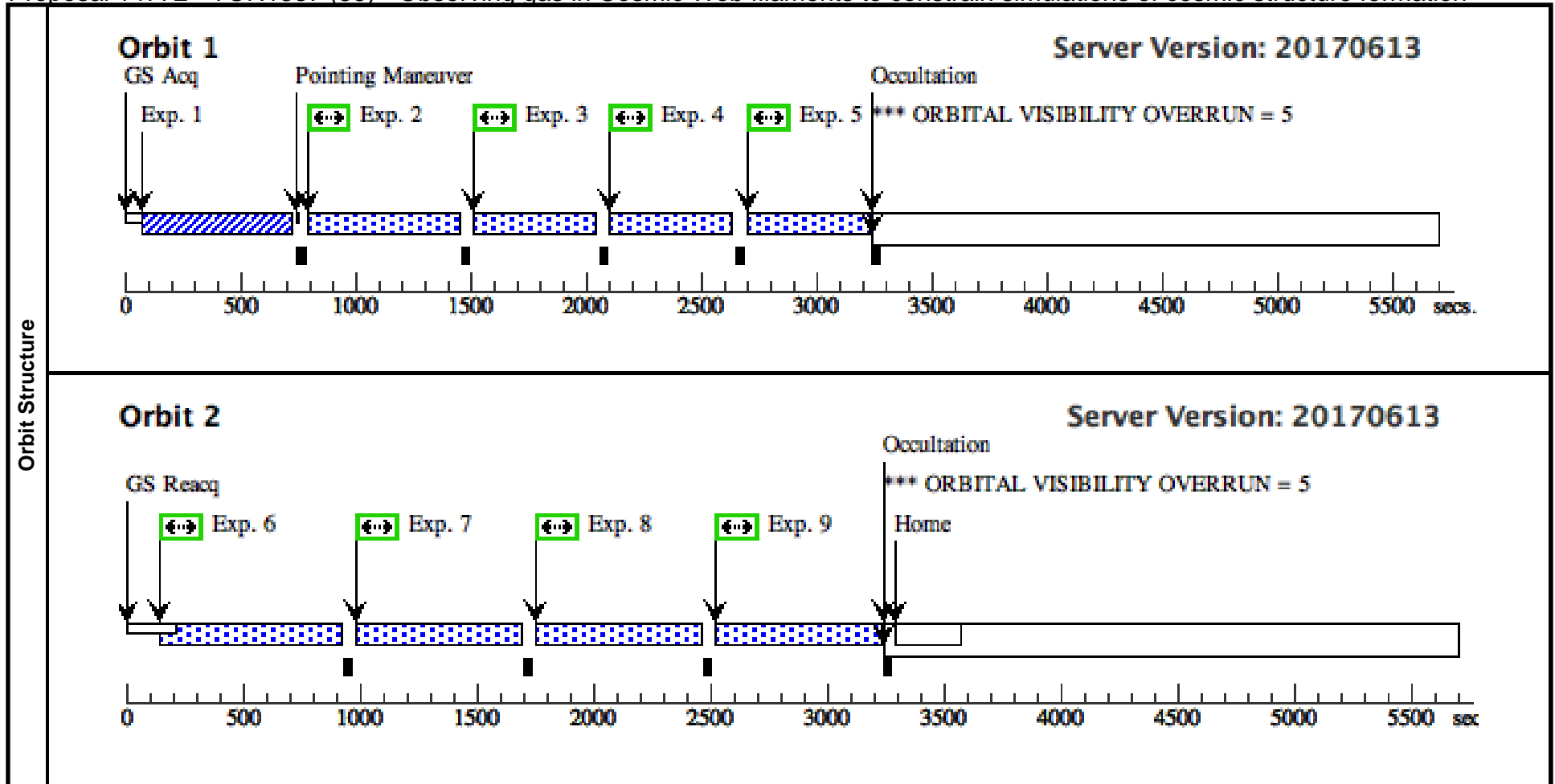
Proposal 14772 - TON1337 (36) - Observing gas in Cosmic Web filaments to constrain simulations of cosmic structure formation

Mon Sep 18 21:01:51 GMT 2017

Visit	Proposal 14772, TON1337 (36), completed Diagnostic Status: Error Scientific Instruments: COS/FUV, COS/NUV Special Requirements: (none)					
	Diagnosics (TON1337-1327.1 (36.002)) Error (Form): LIFETIME-POS is required with G130M when not in Supported mode. (TON1337-1327.2 (36.003)) Error (Form): LIFETIME-POS is required with G130M when not in Supported mode. (TON1337-1327.3 (36.004)) Error (Form): LIFETIME-POS is required with G130M when not in Supported mode. (TON1337-1327.4 (36.005)) Error (Form): LIFETIME-POS is required with G130M when not in Supported mode. (TON1337-1300.1 (36.006)) Error (Form): LIFETIME-POS is required with G130M when not in Supported mode. (TON1337-1300.2 (36.007)) Error (Form): LIFETIME-POS is required with G130M when not in Supported mode. (TON1337-1300.3 (36.008)) Error (Form): LIFETIME-POS is required with G130M when not in Supported mode. (TON1337-1300.4 (36.009)) Error (Form): LIFETIME-POS is required with G130M when not in Supported mode. (TON1337 (36)) Warning (Orbit Planner): ORBITAL VISIBILITY OVERRUN (TON1337 (36)) Warning (Orbit Planner): ORBITAL VISIBILITY OVERRUN (TON1337-1327.1 (36.002)) Warning (Form): Defaults for SEGMENT have changed in APT25.2 for use of LP4 with G130M. See full description for details. (TON1337-1327.2 (36.003)) Warning (Form): Defaults for SEGMENT have changed in APT25.2 for use of LP4 with G130M. See full description for details. (TON1337-1327.3 (36.004)) Warning (Form): Defaults for SEGMENT have changed in APT25.2 for use of LP4 with G130M. See full description for details. (TON1337-1327.4 (36.005)) Warning (Form): Defaults for SEGMENT have changed in APT25.2 for use of LP4 with G130M. See full description for details. (TON1337-1300.1 (36.006)) Warning (Form): Defaults for SEGMENT have changed in APT25.2 for use of LP4 with G130M. See full description for details. (TON1337-1300.2 (36.007)) Warning (Form): Defaults for SEGMENT have changed in APT25.2 for use of LP4 with G130M. See full description for details. (TON1337-1300.3 (36.008)) Warning (Form): Defaults for SEGMENT have changed in APT25.2 for use of LP4 with G130M. See full description for details. (TON1337-1300.4 (36.009)) Warning (Form): Defaults for SEGMENT have changed in APT25.2 for use of LP4 with G130M. See full description for details.					
Fixed Targets	#	Name	Target Coordinates	Targ. Coord. Corrections	Fluxes	Miscellaneous
	(36)	TON1337	RA: 11 07 4.5200 (166.7688333d) Dec: +32 06 30.00 (32.10833d) Equinox: J2000		V=17.89+/-0.1 F=0.32; z=0.243	Reference Frame: ICRS
<i>Comments: Extended=NO</i>						

Proposal 14772 - TON1337 (36) - Observing gas in Cosmic Web filaments to constrain simulations of cosmic structure formation

#	Label (ETC Run)	Target	Config,Mode,Aperture	Spectral Els.	Opt. Params.	Special Reqs.	Groups	Exp. Time (Total)/[Actual Dur.]	Orbit
Exposures	1	TON1337-A (36) TON1337 CQ/IMAGE (COS.ta.823 615)	COS/NUV, ACQ/IMAGE, PSA	MIRRORB				168 Secs (168 Secs) [==>]	[1]
	<i>Comments: NUV acquisition exposure COS ETC result for S/N=40; GALEX M(NUV)=18.36 => texp=168 sec Count rate 885/sec</i>								
	2	TON1337-1 (36) TON1337 327.1 (COS.sp.823 829)	COS/FUV, TIME-TAG, PSA	G130M 1327 A	FP-POS=1; BUFFER-TIME=37 08			477 Secs (477 Secs) [==>]	[1]
	<i>Comments: Total on-source exposure time 0 sec; SN=11.1 id=COS.sp.823829</i>								
	3	TON1337-1 (36) TON1337 327.2 (COS.sp.823 829)	COS/FUV, TIME-TAG, PSA	G130M 1327 A	FP-POS=2; BUFFER-TIME=37 08			477 Secs (477 Secs) [==>]	[1]
	<i>Comments: Total on-source exposure time 0 sec; SN=11.1 id=COS.sp.823829</i>								
	4	TON1337-1 (36) TON1337 327.3 (COS.sp.823 829)	COS/FUV, TIME-TAG, PSA	G130M 1327 A	FP-POS=3; BUFFER-TIME=37 08			477 Secs (477 Secs) [==>]	[1]
	<i>Comments: Total on-source exposure time 0 sec; SN=11.1 id=COS.sp.823829</i>								
	5	TON1337-1 (36) TON1337 327.4 (COS.sp.823 829)	COS/FUV, TIME-TAG, PSA	G130M 1327 A	FP-POS=4; BUFFER-TIME=37 08			477 Secs (477 Secs) [==>]	[1]
<i>Comments: Total on-source exposure time 0 sec; SN=11.1 id=COS.sp.823829</i>									
6	TON1337-1 (36) TON1337 300.1 (COS.sp.823 829)	COS/FUV, TIME-TAG, PSA	G130M 1300 A	FP-POS=1; BUFFER-TIME=37 08			653 Secs (653 Secs) [==>]	[2]	
<i>Comments: Total on-source exposure time 0 sec; SN=11.1 id=COS.sp.823829</i>									
7	TON1337-1 (36) TON1337 300.2 (COS.sp.823 829)	COS/FUV, TIME-TAG, PSA	G130M 1300 A	FP-POS=2; BUFFER-TIME=37 08			653 Secs (653 Secs) [==>]	[2]	
<i>Comments: Total on-source exposure time 0 sec; SN=11.1 id=COS.sp.823829</i>									
8	TON1337-1 (36) TON1337 300.3 (COS.sp.823 829)	COS/FUV, TIME-TAG, PSA	G130M 1300 A	FP-POS=3; BUFFER-TIME=37 08			653 Secs (653 Secs) [==>]	[2]	
<i>Comments: Total on-source exposure time 0 sec; SN=11.1 id=COS.sp.823829</i>									
9	TON1337-1 (36) TON1337 300.4 (COS.sp.823 829)	COS/FUV, TIME-TAG, PSA	G130M 1300 A	FP-POS=4; BUFFER-TIME=37 08			655 Secs (655 Secs) [==>]	[2]	
<i>Comments: Total on-source exposure time 0 sec; SN=11.1 id=COS.sp.823829</i>									



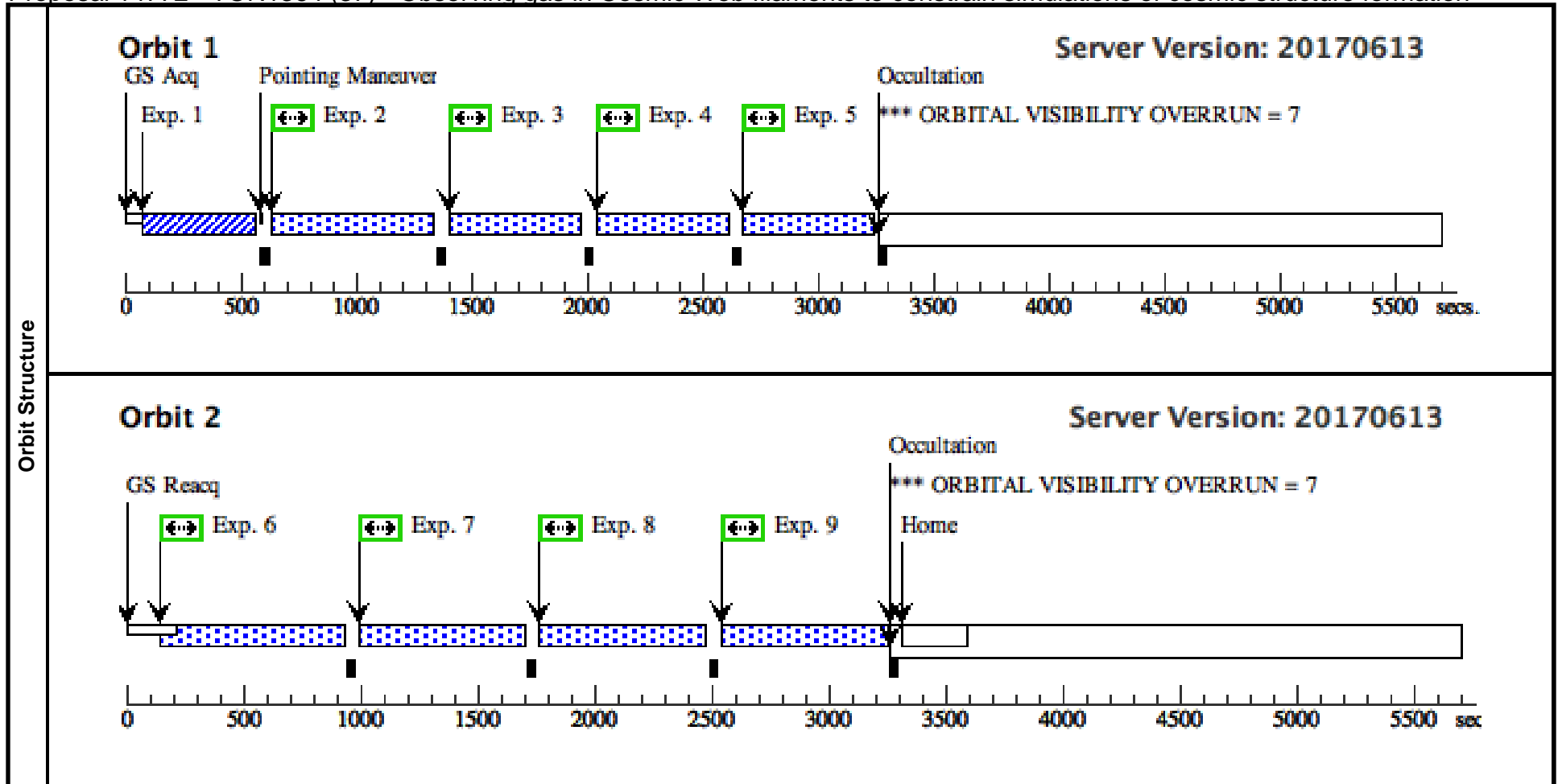
Proposal 14772 - TON1364 (37) - Observing gas in Cosmic Web filaments to constrain simulations of cosmic structure formation

Mon Sep 18 21:01:51 GMT 2017

Visit	Proposal 14772, TON1364 (37), completed Diagnostic Status: Error Scientific Instruments: COS/FUV, COS/NUV Special Requirements: (none)					
	Diagnosics (TON1364-1327.1 (37.002)) Error (Form): LIFETIME-POS is required with G130M when not in Supported mode. (TON1364-1327.2 (37.003)) Error (Form): LIFETIME-POS is required with G130M when not in Supported mode. (TON1364-1327.3 (37.004)) Error (Form): LIFETIME-POS is required with G130M when not in Supported mode. (TON1364-1327.4 (37.005)) Error (Form): LIFETIME-POS is required with G130M when not in Supported mode. (TON1364-1300.1 (37.006)) Error (Form): LIFETIME-POS is required with G130M when not in Supported mode. (TON1364-1300.2 (37.007)) Error (Form): LIFETIME-POS is required with G130M when not in Supported mode. (TON1364-1300.3 (37.008)) Error (Form): LIFETIME-POS is required with G130M when not in Supported mode. (TON1364-1300.4 (37.009)) Error (Form): LIFETIME-POS is required with G130M when not in Supported mode. (TON1364 (37)) Warning (Orbit Planner): ORBITAL VISIBILITY OVERRUN (TON1364 (37)) Warning (Orbit Planner): ORBITAL VISIBILITY OVERRUN (TON1364-1327.1 (37.002)) Warning (Form): Defaults for SEGMENT have changed in APT25.2 for use of LP4 with G130M. See full description for details. (TON1364-1327.2 (37.003)) Warning (Form): Defaults for SEGMENT have changed in APT25.2 for use of LP4 with G130M. See full description for details. (TON1364-1327.3 (37.004)) Warning (Form): Defaults for SEGMENT have changed in APT25.2 for use of LP4 with G130M. See full description for details. (TON1364-1327.4 (37.005)) Warning (Form): Defaults for SEGMENT have changed in APT25.2 for use of LP4 with G130M. See full description for details. (TON1364-1300.1 (37.006)) Warning (Form): Defaults for SEGMENT have changed in APT25.2 for use of LP4 with G130M. See full description for details. (TON1364-1300.2 (37.007)) Warning (Form): Defaults for SEGMENT have changed in APT25.2 for use of LP4 with G130M. See full description for details. (TON1364-1300.3 (37.008)) Warning (Form): Defaults for SEGMENT have changed in APT25.2 for use of LP4 with G130M. See full description for details. (TON1364-1300.4 (37.009)) Warning (Form): Defaults for SEGMENT have changed in APT25.2 for use of LP4 with G130M. See full description for details.					
Fixed Targets	#	Name	Target Coordinates	Targ. Coord. Corrections	Fluxes	Miscellaneous
	(37)	TON1364	RA: 11 13 59.7400 (168.4989167d) Dec: +35 03 6.90 (35.05192d) Equinox: J2000		V=17.57+/-0.1 F=0.35; z=0.348	Reference Frame: ICRS
Comments: Extended=NO						

Proposal 14772 - TON1364 (37) - Observing gas in Cosmic Web filaments to constrain simulations of cosmic structure formation

#	Label (ETC Run)	Target	Config,Mode,Aperture	Spectral Els.	Opt. Params.	Special Reqs.	Groups	Exp. Time (Total)/[Actual Dur.]	Orbit
Exposures	1	TON1364-A (37) TON1364 CQ/IMAGE (COS.ta.823 616)	COS/NUV, ACQ/IMAGE, PSA	MIRRORB				89 Secs (89 Secs) [==>]	[1]
	<i>Comments: NUV acquisition exposure COS ETC result for S/N=40; GALEX M(NUV)=17.67 => texp=89 sec Count rate 898/sec</i>								
	2	TON1364-1 (37) TON1364 327.1 (COS.sp.823 830)	COS/FUV, TIME-TAG, PSA	G130M 1327 A	FP-POS=1; BUFFER-TIME=36 24			522 Secs (522 Secs) [==>]	[1]
	<i>Comments: Total on-source exposure time 0 sec; SN=11.8 id=COS.sp.823830</i>								
	3	TON1364-1 (37) TON1364 327.2 (COS.sp.823 830)	COS/FUV, TIME-TAG, PSA	G130M 1327 A	FP-POS=2; BUFFER-TIME=36 24			522 Secs (522 Secs) [==>]	[1]
	<i>Comments: Total on-source exposure time 0 sec; SN=11.8 id=COS.sp.823830</i>								
	4	TON1364-1 (37) TON1364 327.3 (COS.sp.823 830)	COS/FUV, TIME-TAG, PSA	G130M 1327 A	FP-POS=3; BUFFER-TIME=36 24			522 Secs (522 Secs) [==>]	[1]
	<i>Comments: Total on-source exposure time 0 sec; SN=11.8 id=COS.sp.823830</i>								
	5	TON1364-1 (37) TON1364 327.4 (COS.sp.823 830)	COS/FUV, TIME-TAG, PSA	G130M 1327 A	FP-POS=4; BUFFER-TIME=36 24			522 Secs (522 Secs) [==>]	[1]
<i>Comments: Total on-source exposure time 0 sec; SN=11.8 id=COS.sp.823830</i>									
6	TON1364-1 (37) TON1364 300.1 (COS.sp.823 830)	COS/FUV, TIME-TAG, PSA	G130M 1300 A	FP-POS=1; BUFFER-TIME=36 24			659 Secs (659 Secs) [==>]	[2]	
<i>Comments: Total on-source exposure time 0 sec; SN=11.8 id=COS.sp.823830</i>									
7	TON1364-1 (37) TON1364 300.2 (COS.sp.823 830)	COS/FUV, TIME-TAG, PSA	G130M 1300 A	FP-POS=2; BUFFER-TIME=36 24			659 Secs (659 Secs) [==>]	[2]	
<i>Comments: Total on-source exposure time 0 sec; SN=11.8 id=COS.sp.823830</i>									
8	TON1364-1 (37) TON1364 300.3 (COS.sp.823 830)	COS/FUV, TIME-TAG, PSA	G130M 1300 A	FP-POS=3; BUFFER-TIME=36 24			659 Secs (659 Secs) [==>]	[2]	
<i>Comments: Total on-source exposure time 0 sec; SN=11.8 id=COS.sp.823830</i>									
9	TON1364-1 (37) TON1364 300.4 (COS.sp.823 830)	COS/FUV, TIME-TAG, PSA	G130M 1300 A	FP-POS=4; BUFFER-TIME=36 24			659 Secs (659 Secs) [==>]	[2]	
<i>Comments: Total on-source exposure time 0 sec; SN=11.8 id=COS.sp.823830</i>									



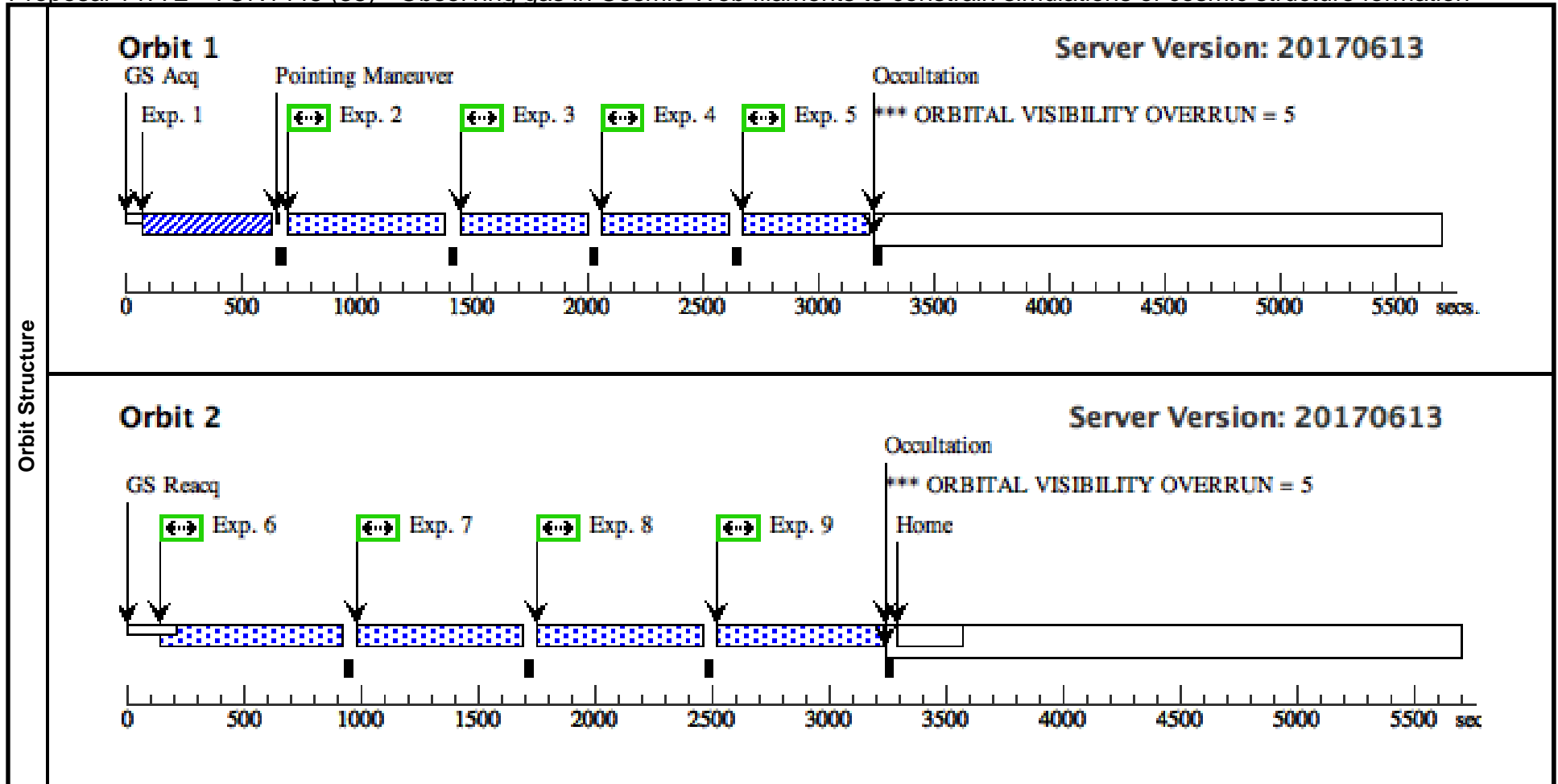
Proposal 14772 - TON1448 (38) - Observing gas in Cosmic Web filaments to constrain simulations of cosmic structure formation

Mon Sep 18 21:01:51 GMT 2017

Visit	Proposal 14772, TON1448 (38), completed Diagnostic Status: Error Scientific Instruments: COS/FUV, COS/NUV Special Requirements: (none)						
	Diagnostics	(TON1448-1327.1 (38.002)) Error (Form): LIFETIME-POS is required with G130M when not in Supported mode. (TON1448-1327.2 (38.003)) Error (Form): LIFETIME-POS is required with G130M when not in Supported mode. (TON1448-1327.3 (38.004)) Error (Form): LIFETIME-POS is required with G130M when not in Supported mode. (TON1448-1327.4 (38.005)) Error (Form): LIFETIME-POS is required with G130M when not in Supported mode. (TON1448-1300.1 (38.006)) Error (Form): LIFETIME-POS is required with G130M when not in Supported mode. (TON1448-1300.2 (38.007)) Error (Form): LIFETIME-POS is required with G130M when not in Supported mode. (TON1448-1300.3 (38.008)) Error (Form): LIFETIME-POS is required with G130M when not in Supported mode. (TON1448-1300.4 (38.009)) Error (Form): LIFETIME-POS is required with G130M when not in Supported mode. (TON1448 (38)) Warning (Orbit Planner): ORBITAL VISIBILITY OVERRUN (TON1448 (38)) Warning (Orbit Planner): ORBITAL VISIBILITY OVERRUN (TON1448-1327.1 (38.002)) Warning (Form): Defaults for SEGMENT have changed in APT25.2 for use of LP4 with G130M. See full description for details. (TON1448-1327.2 (38.003)) Warning (Form): Defaults for SEGMENT have changed in APT25.2 for use of LP4 with G130M. See full description for details. (TON1448-1327.3 (38.004)) Warning (Form): Defaults for SEGMENT have changed in APT25.2 for use of LP4 with G130M. See full description for details. (TON1448-1327.4 (38.005)) Warning (Form): Defaults for SEGMENT have changed in APT25.2 for use of LP4 with G130M. See full description for details. (TON1448-1300.1 (38.006)) Warning (Form): Defaults for SEGMENT have changed in APT25.2 for use of LP4 with G130M. See full description for details. (TON1448-1300.2 (38.007)) Warning (Form): Defaults for SEGMENT have changed in APT25.2 for use of LP4 with G130M. See full description for details. (TON1448-1300.3 (38.008)) Warning (Form): Defaults for SEGMENT have changed in APT25.2 for use of LP4 with G130M. See full description for details. (TON1448-1300.4 (38.009)) Warning (Form): Defaults for SEGMENT have changed in APT25.2 for use of LP4 with G130M. See full description for details.					
Fixed Targets		#	Name	Target Coordinates	Targ. Coord. Corrections	Fluxes	Miscellaneous
		(38)	TON1448	RA: 11 50 9.5100 (177.5396250d) Dec: +34 56 31.00 (34.94194d) Equinox: J2000		V=18.09+/-0.1 F=0.24; z=0.251	Reference Frame: ICRS
		<i>Comments: Extended=NO</i>					

Proposal 14772 - TON1448 (38) - Observing gas in Cosmic Web filaments to constrain simulations of cosmic structure formation

#	Label (ETC Run)	Target	Config,Mode,Aperture	Spectral Els.	Opt. Params.	Special Reqs.	Groups	Exp. Time (Total)/[Actual Dur.]	Orbit
Exposures	1	TON1448-A (38) TON1448 CQ/IMAGE (COS.ta.823 617)	COS/NUV, ACQ/IMAGE, PSA	MIRRORB				124 Secs (124 Secs) [==>]	[1]
	<i>Comments: NUV acquisition exposure COS ETC result for S/N=40; GALEX M(NUV)=18.03 => texp=124 sec Count rate 890/sec</i>								
	2	TON1448-1 (38) TON1448 327.1 (COS.sp.823 831)	COS/FUV, TIME-TAG, PSA	G130M 1327 A	FP-POS=1; BUFFER-TIME=39 51			499 Secs (499 Secs) [==>]	[1]
	<i>Comments: Total on-source exposure time 0 sec; SN=9.7 id=COS.sp.823831</i>								
	3	TON1448-1 (38) TON1448 327.2 (COS.sp.823 831)	COS/FUV, TIME-TAG, PSA	G130M 1327 A	FP-POS=2; BUFFER-TIME=39 51			499 Secs (499 Secs) [==>]	[1]
	<i>Comments: Total on-source exposure time 0 sec; SN=9.7 id=COS.sp.823831</i>								
	4	TON1448-1 (38) TON1448 327.3 (COS.sp.823 831)	COS/FUV, TIME-TAG, PSA	G130M 1327 A	FP-POS=3; BUFFER-TIME=39 51			499 Secs (499 Secs) [==>]	[1]
	<i>Comments: Total on-source exposure time 0 sec; SN=9.7 id=COS.sp.823831</i>								
	5	TON1448-1 (38) TON1448 327.4 (COS.sp.823 831)	COS/FUV, TIME-TAG, PSA	G130M 1327 A	FP-POS=4; BUFFER-TIME=39 51			499 Secs (499 Secs) [==>]	[1]
<i>Comments: Total on-source exposure time 0 sec; SN=9.7 id=COS.sp.823831</i>									
6	TON1448-1 (38) TON1448 300.1 (COS.sp.823 831)	COS/FUV, TIME-TAG, PSA	G130M 1300 A	FP-POS=1; BUFFER-TIME=39 51			653 Secs (653 Secs) [==>]	[2]	
<i>Comments: Total on-source exposure time 0 sec; SN=9.7 id=COS.sp.823831</i>									
7	TON1448-1 (38) TON1448 300.2 (COS.sp.823 831)	COS/FUV, TIME-TAG, PSA	G130M 1300 A	FP-POS=2; BUFFER-TIME=39 51			653 Secs (653 Secs) [==>]	[2]	
<i>Comments: Total on-source exposure time 0 sec; SN=9.7 id=COS.sp.823831</i>									
8	TON1448-1 (38) TON1448 300.3 (COS.sp.823 831)	COS/FUV, TIME-TAG, PSA	G130M 1300 A	FP-POS=3; BUFFER-TIME=39 51			653 Secs (653 Secs) [==>]	[2]	
<i>Comments: Total on-source exposure time 0 sec; SN=9.7 id=COS.sp.823831</i>									
9	TON1448-1 (38) TON1448 300.4 (COS.sp.823 831)	COS/FUV, TIME-TAG, PSA	G130M 1300 A	FP-POS=4; BUFFER-TIME=39 51			655 Secs (655 Secs) [==>]	[2]	
<i>Comments: Total on-source exposure time 0 sec; SN=9.7 id=COS.sp.823831</i>									



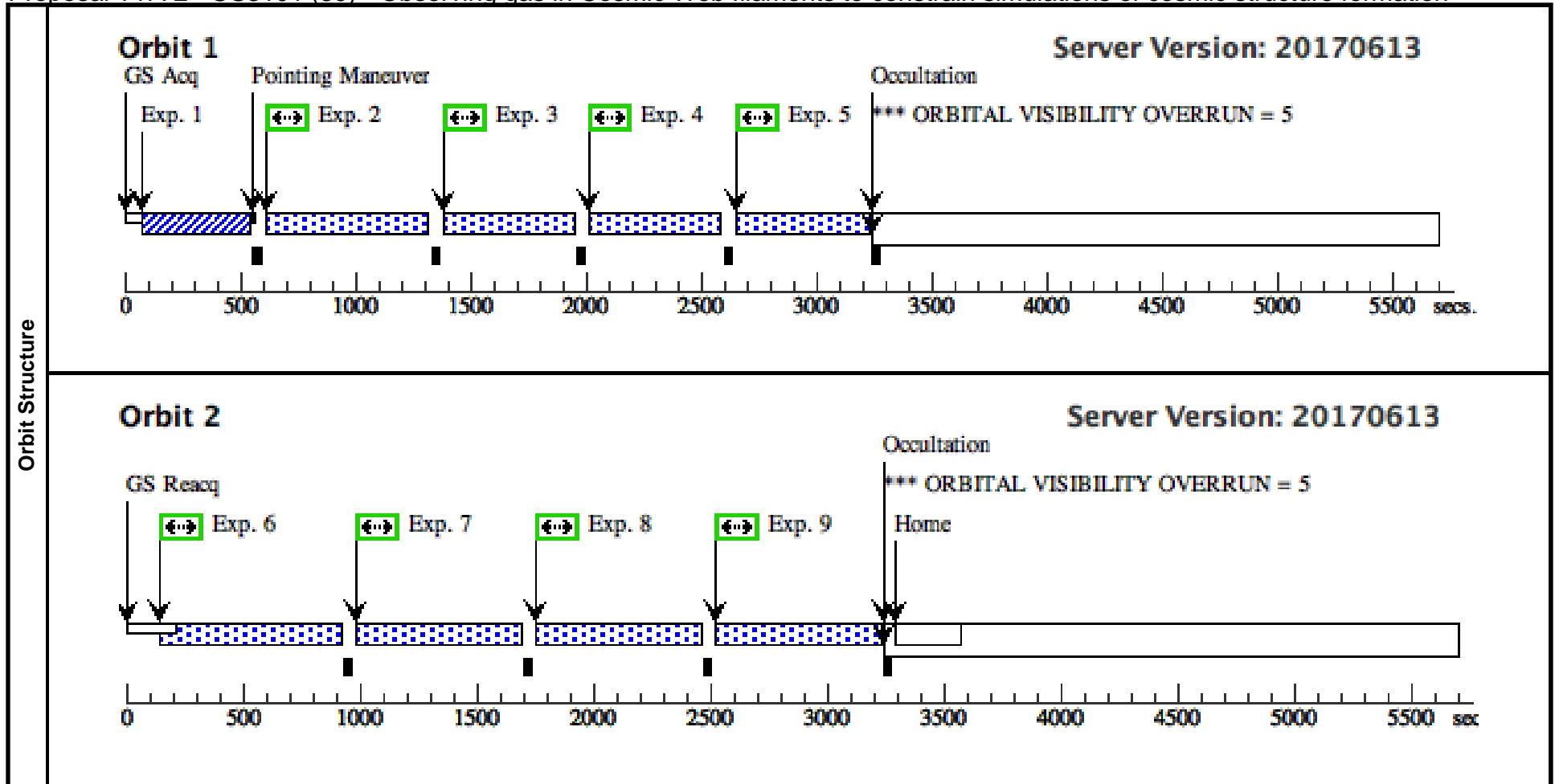
Proposal 14772 - US3101 (39) - Observing gas in Cosmic Web filaments to constrain simulations of cosmic structure formation

Mon Sep 18 21:01:51 GMT 2017

Visit	<p>Proposal 14772, US3101 (39), completed</p> <p>Diagnostic Status: Error</p> <p>Scientific Instruments: COS/FUV, COS/NUV</p> <p>Special Requirements: (none)</p>						
	Diagnostics	<p>(US3101-1327.1 (39.002)) Error (Form): LIFETIME-POS is required with G130M when not in Supported mode.</p> <p>(US3101-1327.2 (39.003)) Error (Form): LIFETIME-POS is required with G130M when not in Supported mode.</p> <p>(US3101-1327.3 (39.004)) Error (Form): LIFETIME-POS is required with G130M when not in Supported mode.</p> <p>(US3101-1327.4 (39.005)) Error (Form): LIFETIME-POS is required with G130M when not in Supported mode.</p> <p>(US3101-1300.1 (39.006)) Error (Form): LIFETIME-POS is required with G130M when not in Supported mode.</p> <p>(US3101-1300.2 (39.007)) Error (Form): LIFETIME-POS is required with G130M when not in Supported mode.</p> <p>(US3101-1300.3 (39.008)) Error (Form): LIFETIME-POS is required with G130M when not in Supported mode.</p> <p>(US3101-1300.4 (39.009)) Error (Form): LIFETIME-POS is required with G130M when not in Supported mode.</p> <p>(US3101 (39)) Warning (Orbit Planner): ORBITAL VISIBILITY OVERRUN</p> <p>(US3101 (39)) Warning (Orbit Planner): ORBITAL VISIBILITY OVERRUN</p> <p>(US3101-1327.1 (39.002)) Warning (Form): Defaults for SEGMENT have changed in APT25.2 for use of LP4 with G130M. See full description for details.</p> <p>(US3101-1327.2 (39.003)) Warning (Form): Defaults for SEGMENT have changed in APT25.2 for use of LP4 with G130M. See full description for details.</p> <p>(US3101-1327.3 (39.004)) Warning (Form): Defaults for SEGMENT have changed in APT25.2 for use of LP4 with G130M. See full description for details.</p> <p>(US3101-1327.4 (39.005)) Warning (Form): Defaults for SEGMENT have changed in APT25.2 for use of LP4 with G130M. See full description for details.</p> <p>(US3101-1300.1 (39.006)) Warning (Form): Defaults for SEGMENT have changed in APT25.2 for use of LP4 with G130M. See full description for details.</p> <p>(US3101-1300.2 (39.007)) Warning (Form): Defaults for SEGMENT have changed in APT25.2 for use of LP4 with G130M. See full description for details.</p> <p>(US3101-1300.3 (39.008)) Warning (Form): Defaults for SEGMENT have changed in APT25.2 for use of LP4 with G130M. See full description for details.</p> <p>(US3101-1300.4 (39.009)) Warning (Form): Defaults for SEGMENT have changed in APT25.2 for use of LP4 with G130M. See full description for details.</p>					
Fixed Targets		#	Name	Target Coordinates	Targ. Coord. Corrections	Fluxes	Miscellaneous
		(39)	US3101	<p>RA: 11 53 15.0200 (178.3125833d)</p> <p>Dec: +32 02 24.00 (32.04000d)</p> <p>Equinox: J2000</p> <p><i>Comments: Extended=NO</i></p>		<p>V=17.92+/-0.1</p> <p>F=0.25; z=0.589</p>	Reference Frame: ICRS

Proposal 14772 - US3101 (39) - Observing gas in Cosmic Web filaments to constrain simulations of cosmic structure formation

#	Label (ETC Run)	Target	Config,Mode,Aperture	Spectral Els.	Opt. Params.	Special Reqs.	Groups	Exp. Time (Total)/[Actual Dur.]	Orbit
Exposures	1	US3101-AC (39) US3101 Q/IMAGE (COS.ta.823 618)	COS/NUV, ACQ/IMAGE, PSA	MIRRORB				77 Secs (77 Secs) [==>]	[1]
	<i>Comments: NUV acquisition exposure COS ETC result for S/N=40; GALEX M(NUV)=17.52 => texp=77 sec Count rate 902/sec</i>								
	2	US3101-132 (39) US3101 7.1 (COS.sp.823 832)	COS/FUV, TIME-TAG, PSA	G130M 1327 A	FP-POS=1; BUFFER-TIME=39 19			522 Secs (522 Secs) [==>]	[1]
	<i>Comments: Total on-source exposure time 0 sec; SN=10.0 id=COS.sp.823832</i>								
	3	US3101-132 (39) US3101 7.2 (COS.sp.823 832)	COS/FUV, TIME-TAG, PSA	G130M 1327 A	FP-POS=2; BUFFER-TIME=39 19			522 Secs (522 Secs) [==>]	[1]
	<i>Comments: Total on-source exposure time 0 sec; SN=10.0 id=COS.sp.823832</i>								
	4	US3101-132 (39) US3101 7.3 (COS.sp.823 832)	COS/FUV, TIME-TAG, PSA	G130M 1327 A	FP-POS=3; BUFFER-TIME=39 19			522 Secs (522 Secs) [==>]	[1]
	<i>Comments: Total on-source exposure time 0 sec; SN=10.0 id=COS.sp.823832</i>								
	5	US3101-132 (39) US3101 7.4 (COS.sp.823 832)	COS/FUV, TIME-TAG, PSA	G130M 1327 A	FP-POS=4; BUFFER-TIME=39 19			524 Secs (524 Secs) [==>]	[1]
<i>Comments: Total on-source exposure time 0 sec; SN=10.0 id=COS.sp.823832</i>									
6	US3101-130 (39) US3101 0.1 (COS.sp.823 832)	COS/FUV, TIME-TAG, PSA	G130M 1300 A	FP-POS=1; BUFFER-TIME=39 19			653 Secs (653 Secs) [==>]	[2]	
<i>Comments: Total on-source exposure time 0 sec; SN=10.0 id=COS.sp.823832</i>									
7	US3101-130 (39) US3101 0.2 (COS.sp.823 832)	COS/FUV, TIME-TAG, PSA	G130M 1300 A	FP-POS=2; BUFFER-TIME=39 19			653 Secs (653 Secs) [==>]	[2]	
<i>Comments: Total on-source exposure time 0 sec; SN=10.0 id=COS.sp.823832</i>									
8	US3101-130 (39) US3101 0.3 (COS.sp.823 832)	COS/FUV, TIME-TAG, PSA	G130M 1300 A	FP-POS=3; BUFFER-TIME=39 19			653 Secs (653 Secs) [==>]	[2]	
<i>Comments: Total on-source exposure time 0 sec; SN=10.0 id=COS.sp.823832</i>									
9	US3101-130 (39) US3101 0.4 (COS.sp.823 832)	COS/FUV, TIME-TAG, PSA	G130M 1300 A	FP-POS=4; BUFFER-TIME=39 19			655 Secs (655 Secs) [==>]	[2]	
<i>Comments: Total on-source exposure time 0 sec; SN=10.0 id=COS.sp.823832</i>									



Proposal 14772 - WCom (40) - Observing gas in Cosmic Web filaments to constrain simulations of cosmic structure formation

Mon Sep 18 21:01:51 GMT 2017

Visit	Proposal 14772, WCom (40), completed Diagnostic Status: Error Scientific Instruments: COS/FUV, COS/NUV Special Requirements: (none)									
	(WCom-1327.1 (40.002)) Error (Form): LIFETIME-POS is required with G130M when not in Supported mode. (WCom-1327.2 (40.003)) Error (Form): LIFETIME-POS is required with G130M when not in Supported mode. (WCom-1327.3 (40.004)) Error (Form): LIFETIME-POS is required with G130M when not in Supported mode. (WCom-1327.4 (40.005)) Error (Form): LIFETIME-POS is required with G130M when not in Supported mode. (WCom (40)) Warning (Orbit Planner): ORBITAL VISIBILITY OVERRUN (WCom-1327.1 (40.002)) Warning (Form): Defaults for SEGMENT have changed in APT25.2 for use of LP4 with G130M. See full description for details. (WCom-1327.2 (40.003)) Warning (Form): Defaults for SEGMENT have changed in APT25.2 for use of LP4 with G130M. See full description for details. (WCom-1327.3 (40.004)) Warning (Form): Defaults for SEGMENT have changed in APT25.2 for use of LP4 with G130M. See full description for details. (WCom-1327.4 (40.005)) Warning (Form): Defaults for SEGMENT have changed in APT25.2 for use of LP4 with G130M. See full description for details.									
Fixed Targets	#	Name	Target Coordinates	Targ. Coord. Corrections	Fluxes	Miscellaneous				
	(40)	WCOM	RA: 12 21 31.6900 (185.3820417d) Dec: +28 13 58.50 (28.23292d) Equinox: J2000		V=16.11+/-0.1 F=1.91; z=0.500	Reference Frame: ICRS				
<i>Comments: Extended=NO</i>										
Exposures	#	Label (ETC Run)	Target	Config,Mode,Aperture	Spectral Els.	Opt. Params.	Special Reqs.	Groups	Exp. Time (Total)/[Actual Dur.]	Orbit
	1	WCom-AC Q/IMAGE (COS.ta.823 619)	(40) WCOM	COS/NUV, ACQ/IMAGE, PSA	MIRRORB				30 Secs (30 Secs) [==>]	[1]
	<i>Comments: NUV acquisition exposure COS ETC result for S/N=40; GALEX M(NUV)=16.48 => texp=30 sec Count rate 952/sec</i>									
	2	WCom-132 7.1 (COS.sp.823 833)	(40) WCOM	COS/FUV, TIME-TAG, PSA	G130M 1327 A	FP-POS=1; BUFFER-TIME=16 66			535 Secs (535 Secs) [==>]	[1]
	<i>Comments: Total on-source exposure time 0 sec; SN=19.0 id=COS.sp.823833</i>									
	3	WCom-132 7.2 (COS.sp.823 833)	(40) WCOM	COS/FUV, TIME-TAG, PSA	G130M 1327 A	FP-POS=2; BUFFER-TIME=16 66			535 Secs (535 Secs) [==>]	[1]
	<i>Comments: Total on-source exposure time 0 sec; SN=19.0 id=COS.sp.823833</i>									
4	WCom-132 7.3 (COS.sp.823 833)	(40) WCOM	COS/FUV, TIME-TAG, PSA	G130M 1327 A	FP-POS=3; BUFFER-TIME=16 66			535 Secs (535 Secs) [==>]	[1]	
<i>Comments: Total on-source exposure time 0 sec; SN=19.0 id=COS.sp.823833</i>										
5	WCom-132 7.4 (COS.sp.823 833)	(40) WCOM	COS/FUV, TIME-TAG, PSA	G130M 1327 A	FP-POS=4; BUFFER-TIME=16 66			536 Secs (536 Secs) [==>]	[1]	
<i>Comments: Total on-source exposure time 0 sec; SN=19.0 id=COS.sp.823833</i>										

