



17757 - Probing the front-side of the Circumgalactic Medium of the Large Magellanic Cloud

Cycle: 32, Proposal Category: GO

(UV Initiative)

(Availability Mode: SUPPORTED)

INVESTIGATORS

<i>Name</i>	<i>Institution</i>
Dr. Sapna Mishra (PI) (Contact)	Space Telescope Science Institute
Dr. Andrew J. Fox (CoI) (ESA Member) (CoPI) (Contact)	Space Telescope Science Institute - ESA
Dr. Scott Lucchini (CoI)	Center for Astrophysics Harvard & Smithsonian
Dr. Jessica Kay Werk (CoI)	University of Washington
Dr. David M. French (CoI) (AdminUSPI)	Space Telescope Science Institute
Dr. Dhanesh Krishnarao (CoI)	Colorado College
Dr. Frances H. Cashman (CoI)	Presbyterian College
Dr. Elena D'Onghia (CoI)	University of Wisconsin - Madison
Prof. Jay Christopher Howk (CoI)	University of Notre Dame
Dr. Nicolas Lehner (CoI)	University of Notre Dame

VISITS

<i>Visit</i>	<i>Targets used in Visit</i>	<i>Configurations used in Visit</i>	<i>Orbits Used</i>	<i>Last Orbit Planner Run</i>	<i>OP Current with Visit?</i>
01	(1) PQSJ063403.59-744637.8	COS/FUV COS/NUV	3	14-Jan-2026 12:00:42.0	yes
02	(2) PQSJ062204.09-773101.7	COS/FUV COS/NUV	3	14-Jan-2026 12:00:45.0	yes

<i>Visit</i>	<i>Targets used in Visit</i>	<i>Configurations used in Visit</i>	<i>Orbits Used</i>	<i>Last Orbit Planner Run</i>	<i>OP Current with Visit?</i>
12	(2) PQSJ062204.09-773101.7	COS/FUV COS/NUV	3	14-Jan-2026 12:00:46.0	yes
03	(2) PQSJ062204.09-773101.7	COS/FUV COS/NUV	3	14-Jan-2026 12:00:53.0	yes
13	(2) PQSJ062204.09-773101.7	COS/FUV COS/NUV	3	14-Jan-2026 12:00:54.0	yes
04	(3) PQSJ065629.87-653337.1	COS/FUV COS/NUV	3	14-Jan-2026 12:00:56.0	yes
05	(4) PQSJ083016.49-672528.6	COS/FUV COS/NUV	3	14-Jan-2026 12:00:57.0	yes
06	(4) PQSJ083016.49-672528.6	COS/FUV COS/NUV	2	14-Jan-2026 12:00:58.0	yes
07	(4) PQSJ083016.49-672528.6	COS/FUV COS/NUV	2	14-Jan-2026 12:00:59.0	yes
08	(5) PQSJ170025.18-724044.7	COS/FUV COS/NUV	2	14-Jan-2026 12:01:00.0	yes
09	(5) PQSJ170025.18-724044.7	COS/FUV COS/NUV	2	14-Jan-2026 12:01:01.0	yes
10	(5) PQSJ170025.18-724044.7	COS/FUV COS/NUV	3	14-Jan-2026 12:01:02.0	yes
11	(5) PQSJ170025.18-724044.7	COS/FUV COS/NUV	3	14-Jan-2026 12:01:03.0	yes

35 Total Orbits Used

ABSTRACT

Recent simulations and observations have provided evidence for a warm-hot phase of the Large Magellanic Cloud (LMC)'s circumgalactic medium (CGM), known as the Magellanic Corona. This Corona shields the LMC from the effects of ram pressure stripping by the Milky Way (MW), but to date, all observations of the Corona have been on the back-side of the LMC CGM. Here we propose 29 orbits of HST/COS G130M/G160M

Proposal 17757 (STScI Edit Number: 2, Created: Wednesday, January 14, 2026, 12:01:04PM Eastern Standard Time) - Overview spectroscopic observations of 5 recently-discovered low-latitude ($|b| < 30$ degrees) UV-bright quasars to observe the front-side of the LMC CGM. Aiming to explore both warm-hot and cool phases of the LMC CGM through high and low ion UV metal absorption lines, our goals are to: (1) Detect and characterize the LMC CGM on the uncharted front-side. (2) Compare the LMC CGM between its back and front-sides, providing novel insights into the dynamics of interacting galaxies. (3) Combine these observations with hydrodynamical simulations to constrain the properties of MW CGM, Magellanic CGM, and bow shock region. This research promises to advance our understanding on the ongoing evolution of the interacting galaxies within the Local Group.

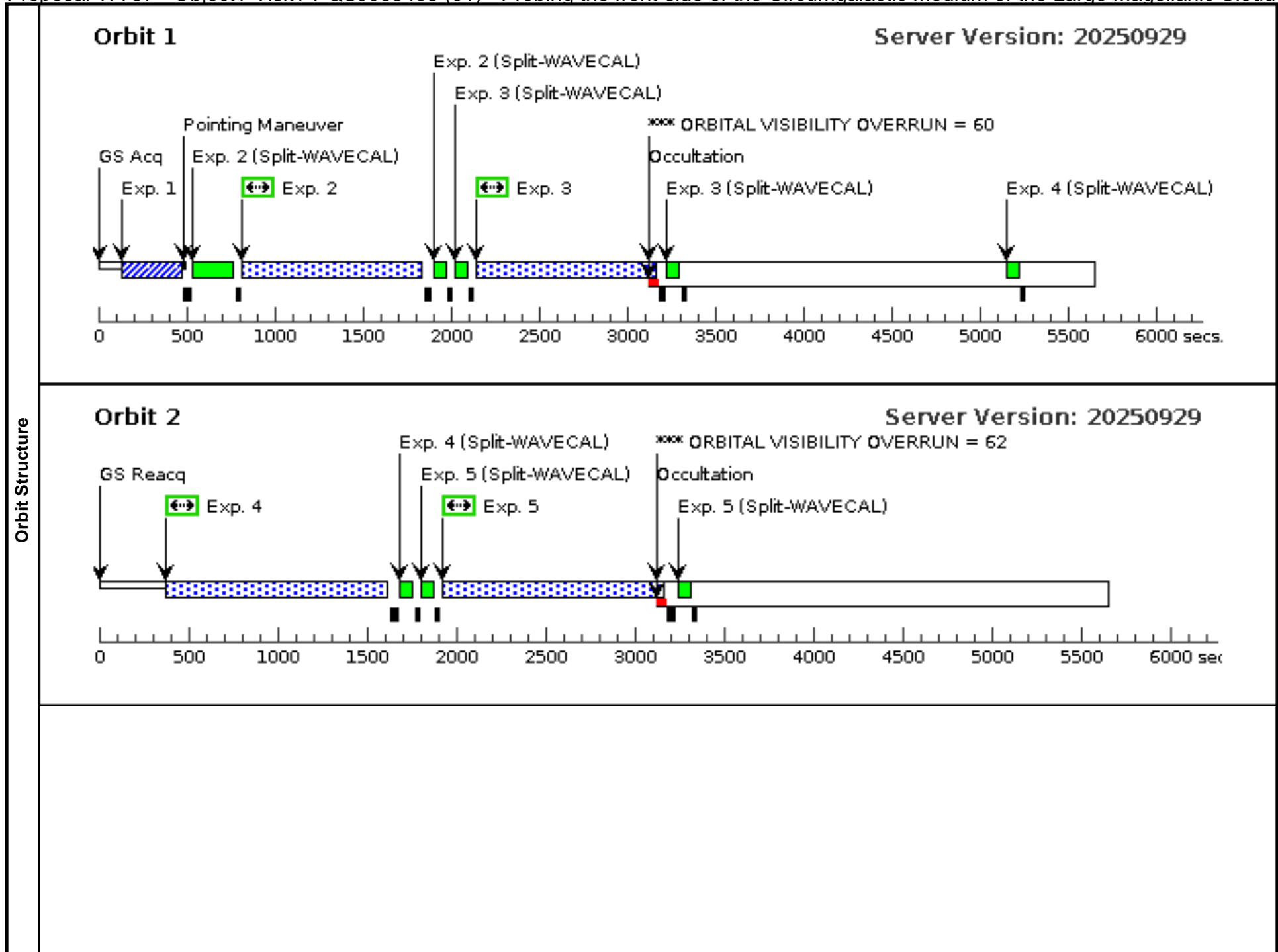
OBSERVING DESCRIPTION

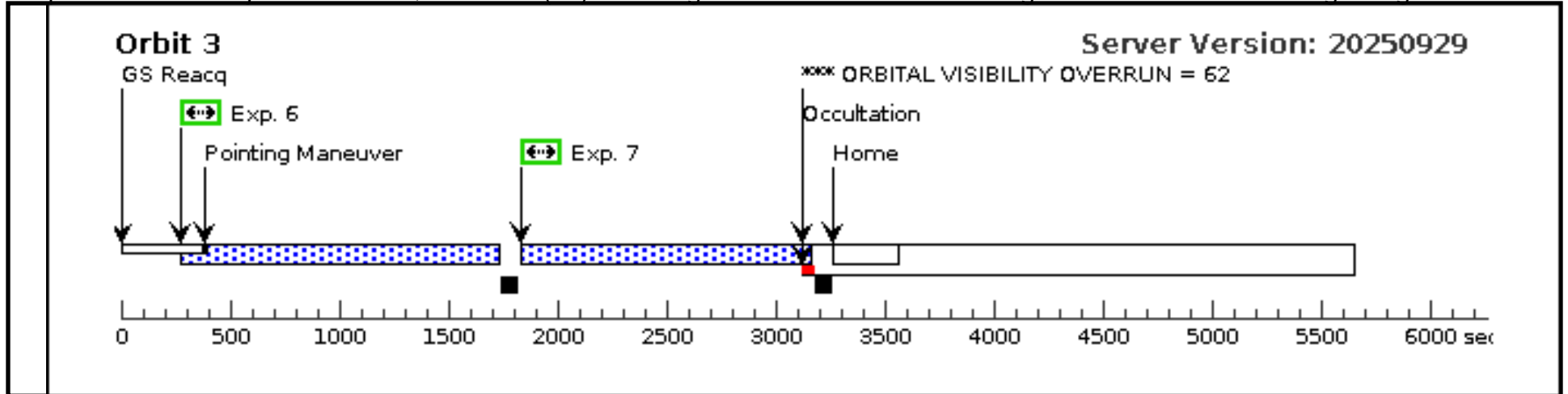
This is a COS FUV program to observe five QSO targets behind the LMC using G130M and G160M. The science goal is detecting the LMC halo in absorption in a range of UV metal lines.

Each target will be acquired with a NUV ACQ/IMAGE with the PSA and MIRRORB, followed by science observations with the G130M/1291 and G160M/1577 settings. For the G160M observations, the four FP-POS positions will be obtained either in one visit or spread across two visits. All visits are up to 3 orbits in length, following the guidance from the PC.

Proposal 17757 - Object1-Visit1-PQSJ063403 (01) - Probing the front-side of the Circumgalactic Medium of the Large Magellanic Cloud

Visit	Proposal 17757, Object1-Visit1-PQSJ063403 (01), completed Wed Jan 14 17:01:04 GMT 2026 Diagnostic Status: Warning Scientific Instruments: COS/FUV, COS/NUV Special Requirements: (none)																																																																																			
	Diagnosics (Object1-Visit1-PQSJ063403 (01)) Warning (Orbit Planner): ORBITAL VISIBILITY OVERRUN (Object1-Visit1-PQSJ063403 (01)) Warning (Orbit Planner): ORBITAL VISIBILITY OVERRUN (Object1-Visit1-PQSJ063403 (01)) Warning (Orbit Planner): ORBITAL VISIBILITY OVERRUN																																																																																			
Fixed Targets	<table border="1"> <thead> <tr> <th>#</th> <th>Name</th> <th>Target Coordinates</th> <th>Targ. Coord. Corrections</th> <th>Fluxes</th> <th>Miscellaneous</th> </tr> </thead> <tbody> <tr> <td>(1)</td> <td>PQSJ063403.59-744637.8</td> <td>RA: 06 34 3.5962 (98.5149842d) Dec: -74 46 37.85 (-74.77718d) Equinox: J2000</td> <td>Epoch of Position: 2000 Redshift: 0.112000</td> <td>V=16.2 16.37 FUV-mag</td> <td>Reference Frame: ICRS</td> </tr> </tbody> </table> <p><i>Comments: This object was generated by the targetselector and retrieved from the GALEX database.</i></p> <p><i>We do not have V-mag info. 16.2 is the GAIA G-band magnitude.</i></p> <p><i>Category=ISM</i> <i>Description=[ABSORPTION LINE SYSTEM, ABSORPTION LINE SYSTEM - EXTRAGALACTIC, ABSORPTION LINE SYSTEM - GALACTIC, CORONA, CORONAL GAS]</i> <i>Extended=NO</i></p>					#	Name	Target Coordinates	Targ. Coord. Corrections	Fluxes	Miscellaneous	(1)	PQSJ063403.59-744637.8	RA: 06 34 3.5962 (98.5149842d) Dec: -74 46 37.85 (-74.77718d) Equinox: J2000	Epoch of Position: 2000 Redshift: 0.112000	V=16.2 16.37 FUV-mag	Reference Frame: ICRS																																																																			
	#	Name	Target Coordinates	Targ. Coord. Corrections	Fluxes	Miscellaneous																																																																														
(1)	PQSJ063403.59-744637.8	RA: 06 34 3.5962 (98.5149842d) Dec: -74 46 37.85 (-74.77718d) Equinox: J2000	Epoch of Position: 2000 Redshift: 0.112000	V=16.2 16.37 FUV-mag	Reference Frame: ICRS																																																																															
<table border="1"> <thead> <tr> <th>#</th> <th>Label (ETC Run)</th> <th>Target</th> <th>Config,Mode,Aperture</th> <th>Spectral Els.</th> <th>Opt. Params.</th> <th>Special Reqs.</th> <th>Groups</th> <th>Exp. Time (Total)/[Actual Dur.]</th> <th>Orbit</th> </tr> </thead> <tbody> <tr> <td>1</td> <td>ACQ/IMAG E (1929592)</td> <td>(1) PQSJ063403.59-744637.8</td> <td>COS/NUV, ACQ/IMAGE, PSA</td> <td>MIRRORB</td> <td></td> <td></td> <td></td> <td>15 Secs (15 Secs) [==>]</td> <td>[1]</td> </tr> <tr> <td>2</td> <td>G160M/157 7-FPPOS1 (1902295)</td> <td>(1) PQSJ063403.59-744637.8</td> <td>COS/FUV, TIME-TAG, PSA</td> <td>G160M 1577 A</td> <td>FP-POS=1; BUFFER-TIME=47 30</td> <td></td> <td></td> <td>973 Secs (973 Secs) [==>]</td> <td>[1]</td> </tr> <tr> <td>3</td> <td>G160M/157 7-FPPOS2 (1902295)</td> <td>(1) PQSJ063403.59-744637.8</td> <td>COS/FUV, TIME-TAG, PSA</td> <td>G160M 1577 A</td> <td>FP-POS=2; BUFFER-TIME=47 30</td> <td></td> <td></td> <td>973 Secs (973 Secs) [==>]</td> <td>[1]</td> </tr> <tr> <td>4</td> <td>G160M/157 7-FPPOS3 (1902295)</td> <td>(1) PQSJ063403.59-744637.8</td> <td>COS/FUV, TIME-TAG, PSA</td> <td>G160M 1577 A</td> <td>FP-POS=3; BUFFER-TIME=47 30</td> <td></td> <td></td> <td>1191 Secs (1191 Secs) [==>]</td> <td>[2]</td> </tr> <tr> <td>5</td> <td>G160M/157 7-FPPOS4 (1902295)</td> <td>(1) PQSJ063403.59-744637.8</td> <td>COS/FUV, TIME-TAG, PSA</td> <td>G160M 1577 A</td> <td>FP-POS=4; BUFFER-TIME=47 30</td> <td></td> <td></td> <td>1191 Secs (1191 Secs) [==>]</td> <td>[2]</td> </tr> <tr> <td>6</td> <td>G130M/129 1-FPPOS3 (1902294)</td> <td>(1) PQSJ063403.59-744637.8</td> <td>COS/FUV, TIME-TAG, PSA</td> <td>G130M 1291 A</td> <td>FP-POS=3; BUFFER-TIME=19 84</td> <td></td> <td></td> <td>1282 Secs (1282 Secs) [==>]</td> <td>[3]</td> </tr> <tr> <td>7</td> <td>G130M/129 1-FPPOS4 (1902294)</td> <td>(1) PQSJ063403.59-744637.8</td> <td>COS/FUV, TIME-TAG, PSA</td> <td>G130M 1291 A</td> <td>FP-POS=4; BUFFER-TIME=19 84</td> <td></td> <td></td> <td>1282 Secs (1282 Secs) [==>]</td> <td>[3]</td> </tr> </tbody> </table>					#	Label (ETC Run)	Target	Config,Mode,Aperture	Spectral Els.	Opt. Params.	Special Reqs.	Groups	Exp. Time (Total)/[Actual Dur.]	Orbit	1	ACQ/IMAG E (1929592)	(1) PQSJ063403.59-744637.8	COS/NUV, ACQ/IMAGE, PSA	MIRRORB				15 Secs (15 Secs) [==>]	[1]	2	G160M/157 7-FPPOS1 (1902295)	(1) PQSJ063403.59-744637.8	COS/FUV, TIME-TAG, PSA	G160M 1577 A	FP-POS=1; BUFFER-TIME=47 30			973 Secs (973 Secs) [==>]	[1]	3	G160M/157 7-FPPOS2 (1902295)	(1) PQSJ063403.59-744637.8	COS/FUV, TIME-TAG, PSA	G160M 1577 A	FP-POS=2; BUFFER-TIME=47 30			973 Secs (973 Secs) [==>]	[1]	4	G160M/157 7-FPPOS3 (1902295)	(1) PQSJ063403.59-744637.8	COS/FUV, TIME-TAG, PSA	G160M 1577 A	FP-POS=3; BUFFER-TIME=47 30			1191 Secs (1191 Secs) [==>]	[2]	5	G160M/157 7-FPPOS4 (1902295)	(1) PQSJ063403.59-744637.8	COS/FUV, TIME-TAG, PSA	G160M 1577 A	FP-POS=4; BUFFER-TIME=47 30			1191 Secs (1191 Secs) [==>]	[2]	6	G130M/129 1-FPPOS3 (1902294)	(1) PQSJ063403.59-744637.8	COS/FUV, TIME-TAG, PSA	G130M 1291 A	FP-POS=3; BUFFER-TIME=19 84			1282 Secs (1282 Secs) [==>]	[3]	7	G130M/129 1-FPPOS4 (1902294)	(1) PQSJ063403.59-744637.8	COS/FUV, TIME-TAG, PSA	G130M 1291 A	FP-POS=4; BUFFER-TIME=19 84			1282 Secs (1282 Secs) [==>]	[3]
#	Label (ETC Run)	Target	Config,Mode,Aperture	Spectral Els.	Opt. Params.	Special Reqs.	Groups	Exp. Time (Total)/[Actual Dur.]	Orbit																																																																											
1	ACQ/IMAG E (1929592)	(1) PQSJ063403.59-744637.8	COS/NUV, ACQ/IMAGE, PSA	MIRRORB				15 Secs (15 Secs) [==>]	[1]																																																																											
2	G160M/157 7-FPPOS1 (1902295)	(1) PQSJ063403.59-744637.8	COS/FUV, TIME-TAG, PSA	G160M 1577 A	FP-POS=1; BUFFER-TIME=47 30			973 Secs (973 Secs) [==>]	[1]																																																																											
3	G160M/157 7-FPPOS2 (1902295)	(1) PQSJ063403.59-744637.8	COS/FUV, TIME-TAG, PSA	G160M 1577 A	FP-POS=2; BUFFER-TIME=47 30			973 Secs (973 Secs) [==>]	[1]																																																																											
4	G160M/157 7-FPPOS3 (1902295)	(1) PQSJ063403.59-744637.8	COS/FUV, TIME-TAG, PSA	G160M 1577 A	FP-POS=3; BUFFER-TIME=47 30			1191 Secs (1191 Secs) [==>]	[2]																																																																											
5	G160M/157 7-FPPOS4 (1902295)	(1) PQSJ063403.59-744637.8	COS/FUV, TIME-TAG, PSA	G160M 1577 A	FP-POS=4; BUFFER-TIME=47 30			1191 Secs (1191 Secs) [==>]	[2]																																																																											
6	G130M/129 1-FPPOS3 (1902294)	(1) PQSJ063403.59-744637.8	COS/FUV, TIME-TAG, PSA	G130M 1291 A	FP-POS=3; BUFFER-TIME=19 84			1282 Secs (1282 Secs) [==>]	[3]																																																																											
7	G130M/129 1-FPPOS4 (1902294)	(1) PQSJ063403.59-744637.8	COS/FUV, TIME-TAG, PSA	G130M 1291 A	FP-POS=4; BUFFER-TIME=19 84			1282 Secs (1282 Secs) [==>]	[3]																																																																											

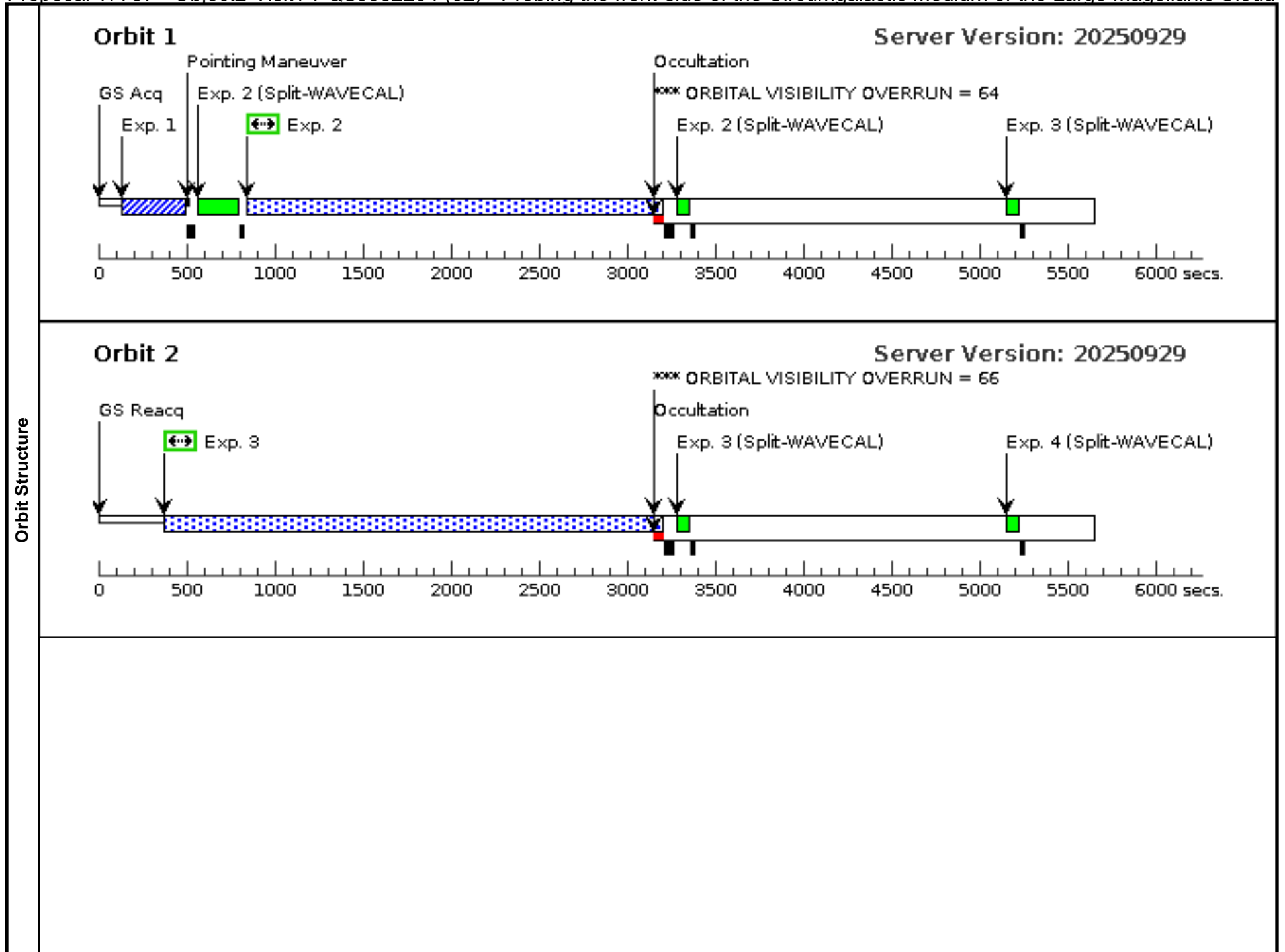


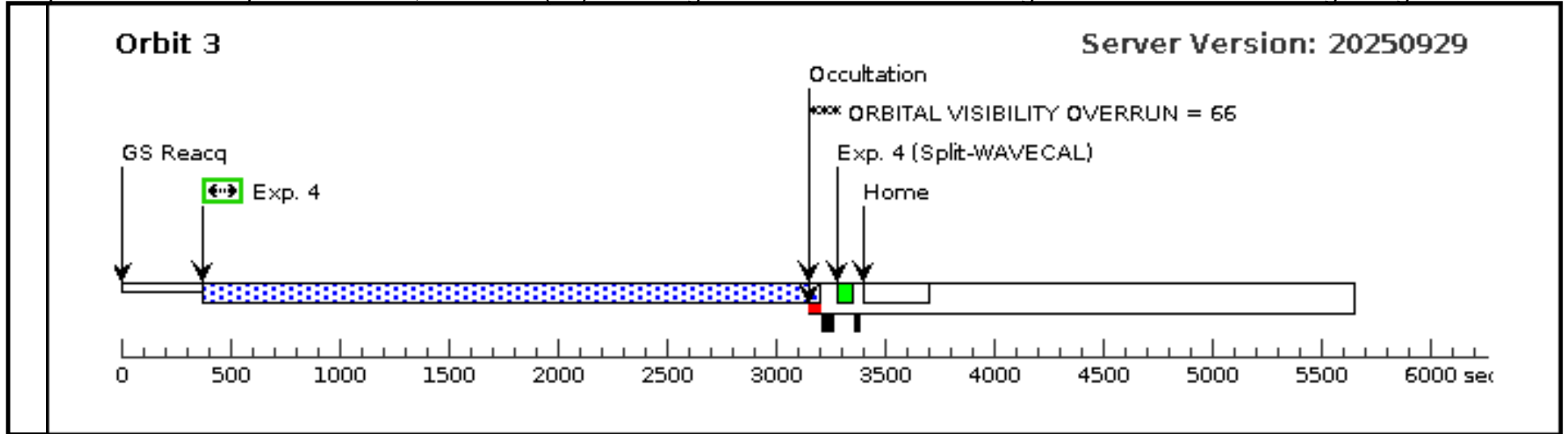


Proposal 17757 - Object2-Visit1-PQSJ062204 (02) - Probing the front-side of the Circumgalactic Medium of the Large Magellanic Cloud

Wed Jan 14 17:01:04 GMT 2026

Visit	Proposal 17757, Object2-Visit1-PQSJ062204 (02), failed Diagnostic Status: Warning Scientific Instruments: COS/FUV, COS/NUV Special Requirements: (none)																																																										
	(Object2-Visit1-PQSJ062204 (02)) Warning (Form): For the best data quality, it is generally required to use all four FP-POS positions at a given COS cenwave (or 2 positions for certain exception cases). See extended explanation in the diagnostic browser. (Object2-Visit1-PQSJ062204 (02)) Warning (Orbit Planner): ORBITAL VISIBILITY OVERRUN (Object2-Visit1-PQSJ062204 (02)) Warning (Orbit Planner): ORBITAL VISIBILITY OVERRUN (Object2-Visit1-PQSJ062204 (02)) Warning (Orbit Planner): ORBITAL VISIBILITY OVERRUN																																																										
Diagnosics	<table border="1"> <thead> <tr> <th>#</th> <th>Name</th> <th>Target Coordinates</th> <th>Targ. Coord. Corrections</th> <th>Fluxes</th> <th>Miscellaneous</th> </tr> </thead> <tbody> <tr> <td>(2)</td> <td>PQSJ062204.09-773101.7</td> <td>RA: 06 22 4.0968 (95.5170700d) Dec: -77 31 1.74 (-77.51715d) Equinox: J2000</td> <td>Epoch of Position: 2000 Redshift: 0.11251</td> <td>V=16.09 17.12 FUV-mag</td> <td>Reference Frame: ICRS</td> </tr> </tbody> </table> <p><i>Comments: This object was generated by the targetselector and retrieved from the GALEX database.</i> Category=ISM Description=[ABSORPTION LINE SYSTEM, ABSORPTION LINE SYSTEM - EXTRAGALACTIC, ABSORPTION LINE SYSTEM - GALACTIC, CORONA, CORONAL GAS] Extended=NO</p>										#	Name	Target Coordinates	Targ. Coord. Corrections	Fluxes	Miscellaneous	(2)	PQSJ062204.09-773101.7	RA: 06 22 4.0968 (95.5170700d) Dec: -77 31 1.74 (-77.51715d) Equinox: J2000	Epoch of Position: 2000 Redshift: 0.11251	V=16.09 17.12 FUV-mag	Reference Frame: ICRS																																					
	#	Name	Target Coordinates	Targ. Coord. Corrections	Fluxes	Miscellaneous																																																					
(2)	PQSJ062204.09-773101.7	RA: 06 22 4.0968 (95.5170700d) Dec: -77 31 1.74 (-77.51715d) Equinox: J2000	Epoch of Position: 2000 Redshift: 0.11251	V=16.09 17.12 FUV-mag	Reference Frame: ICRS																																																						
<table border="1"> <thead> <tr> <th>#</th> <th>Label (ETC Run)</th> <th>Target</th> <th>Config,Mode,Aperture</th> <th>Spectral Els.</th> <th>Opt. Params.</th> <th>Special Reqs.</th> <th>Groups</th> <th>Exp. Time (Total)/[Actual Dur.]</th> <th>Orbit</th> </tr> </thead> <tbody> <tr> <td>1</td> <td>ACQ/IMAG E (1929593)</td> <td>(2) PQSJ062204.09-773101.7</td> <td>COS/NUV, ACQ/IMAGE, PSA</td> <td>MIRRORB</td> <td></td> <td></td> <td></td> <td>26 Secs (26 Secs) [==>]</td> <td>[1]</td> </tr> <tr> <td>2</td> <td>G160M/157 7-FPPOS1 (1902297)</td> <td>(2) PQSJ062204.09-773101.7</td> <td>COS/FUV, TIME-TAG, PSA</td> <td>G160M 1577 A</td> <td>FP-POS=1; BUFFER-TIME=68 51</td> <td></td> <td></td> <td>2311 Secs (2311 Secs) [==>]</td> <td>[1]</td> </tr> <tr> <td>3</td> <td>G160M/157 7-FPPOS2 (1902297)</td> <td>(2) PQSJ062204.09-773101.7</td> <td>COS/FUV, TIME-TAG, PSA</td> <td>G160M 1577 A</td> <td>FP-POS=2; BUFFER-TIME=68 51</td> <td></td> <td></td> <td>2778 Secs (2778 Secs) [==>]</td> <td>[2]</td> </tr> <tr> <td>4</td> <td>G160M/157 7-FPPOS3 (1902297)</td> <td>(2) PQSJ062204.09-773101.7</td> <td>COS/FUV, TIME-TAG, PSA</td> <td>G160M 1577 A</td> <td>FP-POS=3; BUFFER-TIME=68 51</td> <td></td> <td></td> <td>2778 Secs (2778 Secs) [==>]</td> <td>[3]</td> </tr> </tbody> </table>										#	Label (ETC Run)	Target	Config,Mode,Aperture	Spectral Els.	Opt. Params.	Special Reqs.	Groups	Exp. Time (Total)/[Actual Dur.]	Orbit	1	ACQ/IMAG E (1929593)	(2) PQSJ062204.09-773101.7	COS/NUV, ACQ/IMAGE, PSA	MIRRORB				26 Secs (26 Secs) [==>]	[1]	2	G160M/157 7-FPPOS1 (1902297)	(2) PQSJ062204.09-773101.7	COS/FUV, TIME-TAG, PSA	G160M 1577 A	FP-POS=1; BUFFER-TIME=68 51			2311 Secs (2311 Secs) [==>]	[1]	3	G160M/157 7-FPPOS2 (1902297)	(2) PQSJ062204.09-773101.7	COS/FUV, TIME-TAG, PSA	G160M 1577 A	FP-POS=2; BUFFER-TIME=68 51			2778 Secs (2778 Secs) [==>]	[2]	4	G160M/157 7-FPPOS3 (1902297)	(2) PQSJ062204.09-773101.7	COS/FUV, TIME-TAG, PSA	G160M 1577 A	FP-POS=3; BUFFER-TIME=68 51			2778 Secs (2778 Secs) [==>]	[3]
#	Label (ETC Run)	Target	Config,Mode,Aperture	Spectral Els.	Opt. Params.	Special Reqs.	Groups	Exp. Time (Total)/[Actual Dur.]	Orbit																																																		
1	ACQ/IMAG E (1929593)	(2) PQSJ062204.09-773101.7	COS/NUV, ACQ/IMAGE, PSA	MIRRORB				26 Secs (26 Secs) [==>]	[1]																																																		
2	G160M/157 7-FPPOS1 (1902297)	(2) PQSJ062204.09-773101.7	COS/FUV, TIME-TAG, PSA	G160M 1577 A	FP-POS=1; BUFFER-TIME=68 51			2311 Secs (2311 Secs) [==>]	[1]																																																		
3	G160M/157 7-FPPOS2 (1902297)	(2) PQSJ062204.09-773101.7	COS/FUV, TIME-TAG, PSA	G160M 1577 A	FP-POS=2; BUFFER-TIME=68 51			2778 Secs (2778 Secs) [==>]	[2]																																																		
4	G160M/157 7-FPPOS3 (1902297)	(2) PQSJ062204.09-773101.7	COS/FUV, TIME-TAG, PSA	G160M 1577 A	FP-POS=3; BUFFER-TIME=68 51			2778 Secs (2778 Secs) [==>]	[3]																																																		

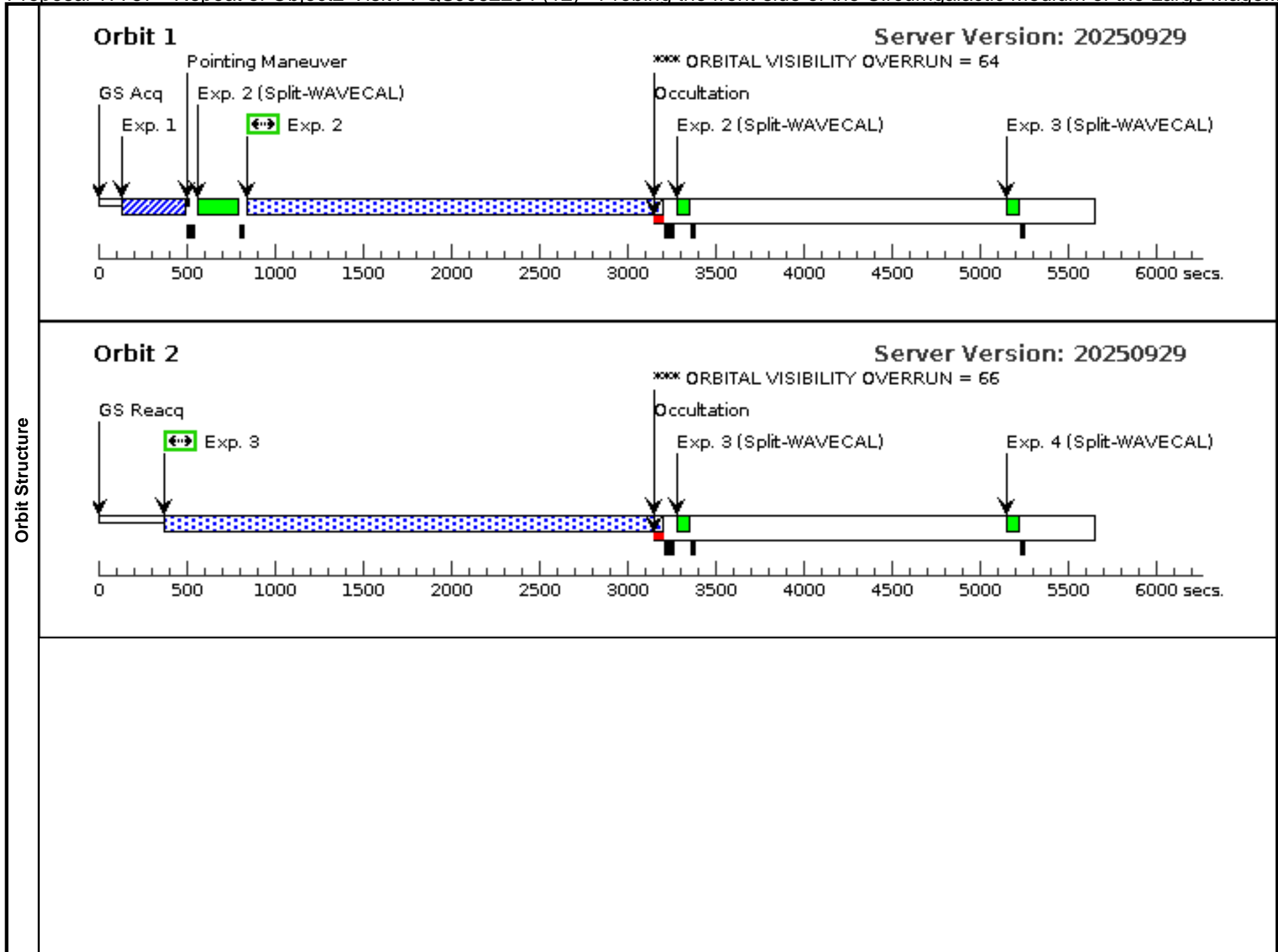


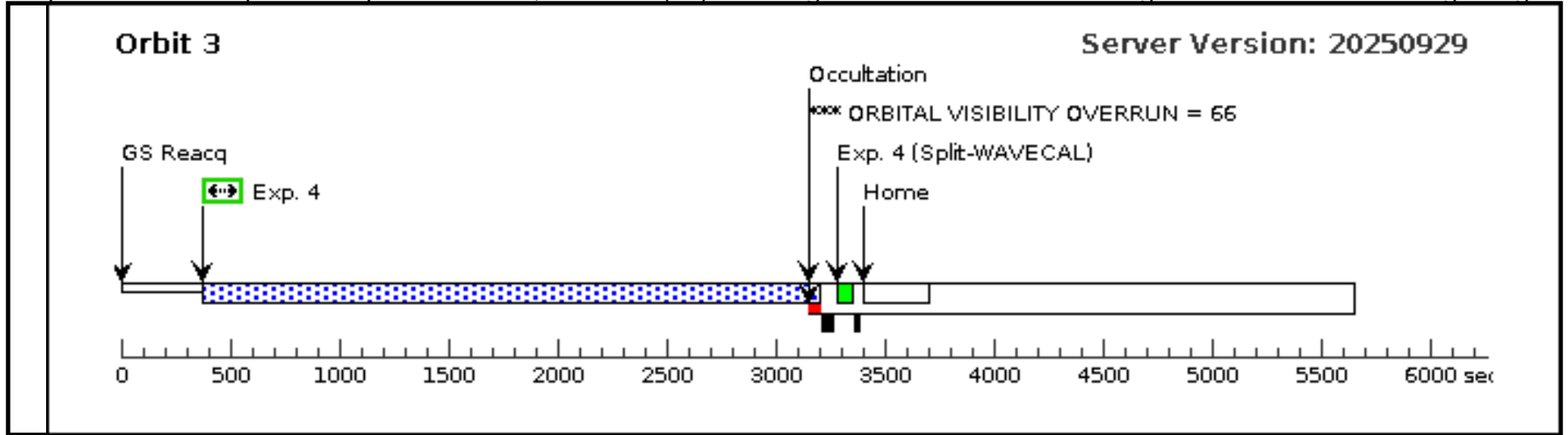


Proposal 17757 - Repeat of Object2-Visit1-PQSJ062204 (12) - Probing the front-side of the Circumgalactic Medium of the Large Mage...

Wed Jan 14 17:01:04 GMT 2026

Visit	Proposal 17757, Repeat of Object2-Visit1-PQSJ062204 (12) Diagnostic Status: Warning Scientific Instruments: COS/FUV, COS/NUV Special Requirements: (none)									
	(Repeat of Object2-Visit1-PQSJ062204 (12)) Warning (Form): For the best data quality, it is generally required to use all four FP-POS positions at a given COS cenwave (or 2 positions for certain exception cases). See extended explanation in the diagnostic browser. (Repeat of Object2-Visit1-PQSJ062204 (12)) Warning (Orbit Planner): ORBITAL VISIBILITY OVERRUN (Repeat of Object2-Visit1-PQSJ062204 (12)) Warning (Orbit Planner): ORBITAL VISIBILITY OVERRUN (Repeat of Object2-Visit1-PQSJ062204 (12)) Warning (Orbit Planner): ORBITAL VISIBILITY OVERRUN									
Diagnosics										
Fixed Targets	#	Name	Target Coordinates	Targ. Coord. Corrections	Fluxes	Miscellaneous				
	(2)	PQSJ062204.09-773101.7	RA: 06 22 4.0968 (95.5170700d) Dec: -77 31 1.74 (-77.51715d) Equinox: J2000	Epoch of Position: 2000 Redshift: 0.11251	V=16.09 17.12 FUV-mag	Reference Frame: ICRS				
Comments: This object was generated by the targetselector and retrieved from the GALEX database. Category=ISM Description=[ABSORPTION LINE SYSTEM, ABSORPTION LINE SYSTEM - EXTRAGALACTIC, ABSORPTION LINE SYSTEM - GALACTIC, CORONA, CORONAL GAS] Extended=NO										
Exposures	#	Label (ETC Run)	Target	Config,Mode,Aperture	Spectral Els.	Opt. Params.	Special Reqs.	Groups	Exp. Time (Total)/[Actual Dur.]	Orbit
	1	ACQ/IMAG E (1929593)	(2) PQSJ062204.09-773101.7	COS/NUV, ACQ/IMAGE, PSA	MIRRORB				26 Secs (26 Secs) [==>]	[1]
	2	G160M/157 7-FPPOS1 (1902297)	(2) PQSJ062204.09-773101.7	COS/FUV, TIME-TAG, PSA	G160M 1577 A	FP-POS=1; BUFFER-TIME=68 51			2311 Secs (2311 Secs) [==>]	[1]
	3	G160M/157 7-FPPOS2 (1902297)	(2) PQSJ062204.09-773101.7	COS/FUV, TIME-TAG, PSA	G160M 1577 A	FP-POS=2; BUFFER-TIME=68 51			2778 Secs (2778 Secs) [==>]	[2]
	4	G160M/157 7-FPPOS3 (1902297)	(2) PQSJ062204.09-773101.7	COS/FUV, TIME-TAG, PSA	G160M 1577 A	FP-POS=3; BUFFER-TIME=68 51			2778 Secs (2778 Secs) [==>]	[3]

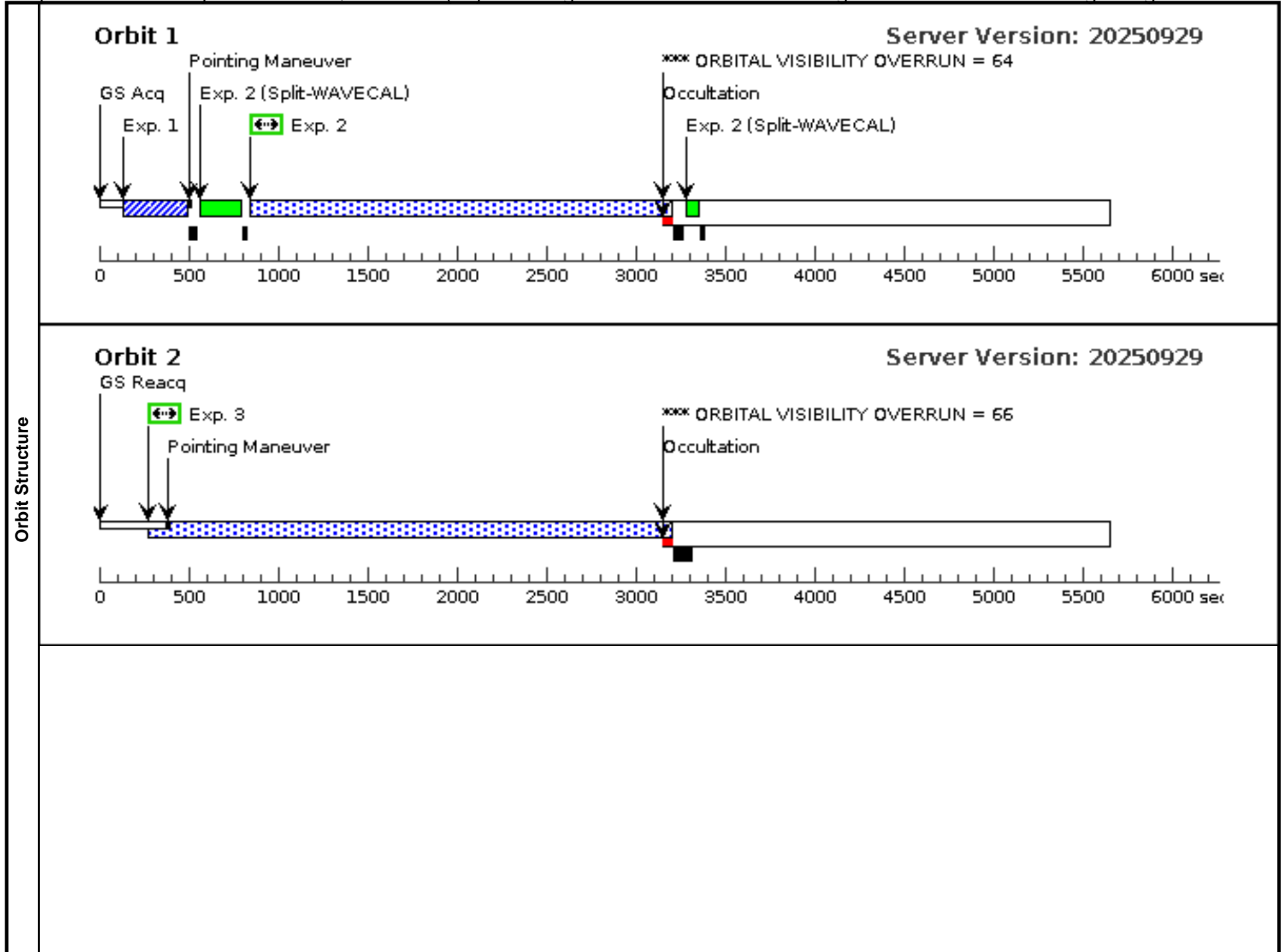


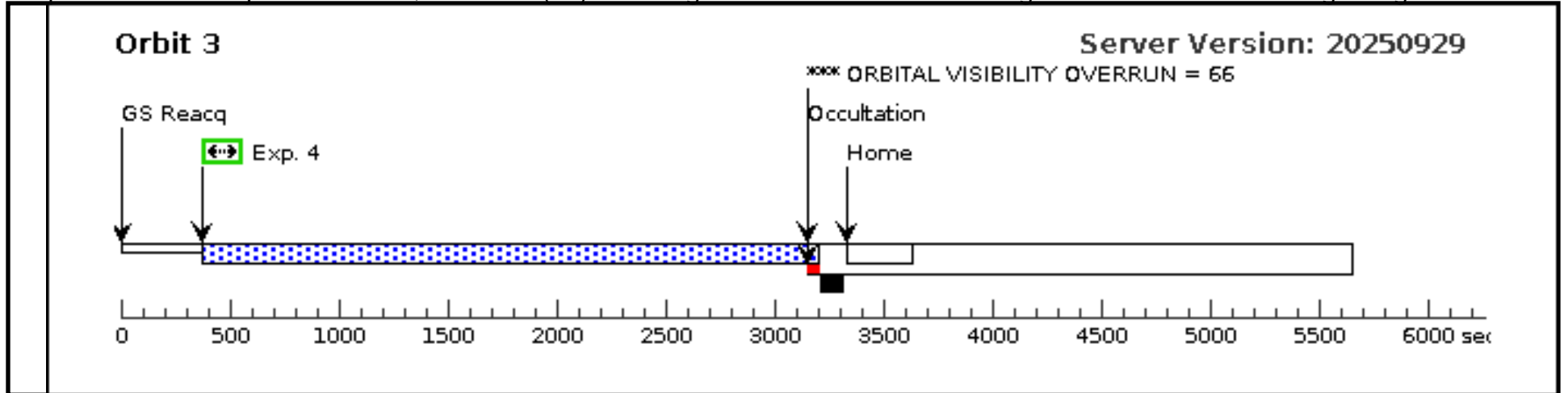


Proposal 17757 - Object2-Visit2-PQSJ062204 (03) - Probing the front-side of the Circumgalactic Medium of the Large Magellanic Cloud

Wed Jan 14 17:01:04 GMT 2026

Visit	Proposal 17757, Object2-Visit2-PQSJ062204 (03), failed Diagnostic Status: Warning Scientific Instruments: COS/FUV, COS/NUV Special Requirements: (none)																																																										
	(Object2-Visit2-PQSJ062204 (03)) Warning (Form): For the best data quality, it is generally required to use all four FP-POS positions at a given COS cenwave (or 2 positions for certain exception cases). See extended explanation in the diagnostic browser. (Object2-Visit2-PQSJ062204 (03)) Warning (Orbit Planner): ORBITAL VISIBILITY OVERRUN (Object2-Visit2-PQSJ062204 (03)) Warning (Orbit Planner): ORBITAL VISIBILITY OVERRUN (Object2-Visit2-PQSJ062204 (03)) Warning (Orbit Planner): ORBITAL VISIBILITY OVERRUN																																																										
Diagnosics	<table border="1"> <thead> <tr> <th>#</th> <th>Name</th> <th>Target Coordinates</th> <th>Targ. Coord. Corrections</th> <th>Fluxes</th> <th>Miscellaneous</th> </tr> </thead> <tbody> <tr> <td>(2)</td> <td>PQSJ062204.09-773101.7</td> <td>RA: 06 22 4.0968 (95.5170700d) Dec: -77 31 1.74 (-77.51715d) Equinox: J2000</td> <td>Epoch of Position: 2000 Redshift: 0.11251</td> <td>V=16.09 17.12 FUV-mag</td> <td>Reference Frame: ICRS</td> </tr> </tbody> </table> <p><i>Comments: This object was generated by the targetselector and retrieved from the GALEX database.</i> Category=ISM Description=[ABSORPTION LINE SYSTEM, ABSORPTION LINE SYSTEM - EXTRAGALACTIC, ABSORPTION LINE SYSTEM - GALACTIC, CORONA, CORONAL GAS] Extended=NO</p>										#	Name	Target Coordinates	Targ. Coord. Corrections	Fluxes	Miscellaneous	(2)	PQSJ062204.09-773101.7	RA: 06 22 4.0968 (95.5170700d) Dec: -77 31 1.74 (-77.51715d) Equinox: J2000	Epoch of Position: 2000 Redshift: 0.11251	V=16.09 17.12 FUV-mag	Reference Frame: ICRS																																					
	#	Name	Target Coordinates	Targ. Coord. Corrections	Fluxes	Miscellaneous																																																					
(2)	PQSJ062204.09-773101.7	RA: 06 22 4.0968 (95.5170700d) Dec: -77 31 1.74 (-77.51715d) Equinox: J2000	Epoch of Position: 2000 Redshift: 0.11251	V=16.09 17.12 FUV-mag	Reference Frame: ICRS																																																						
<table border="1"> <thead> <tr> <th>#</th> <th>Label (ETC Run)</th> <th>Target</th> <th>Config,Mode,Aperture</th> <th>Spectral Els.</th> <th>Opt. Params.</th> <th>Special Reqs.</th> <th>Groups</th> <th>Exp. Time (Total)/[Actual Dur.]</th> <th>Orbit</th> </tr> </thead> <tbody> <tr> <td>1</td> <td>ACQ/IMAG E (1929593)</td> <td>(2) PQSJ062204.09-773101.7</td> <td>COS/NUV, ACQ/IMAGE, PSA</td> <td>MIRRORB</td> <td></td> <td></td> <td></td> <td>26 Secs (26 Secs) [==>]</td> <td>[1]</td> </tr> <tr> <td>2</td> <td>G160M/157 7-FPPOS4 (1902297)</td> <td>(2) PQSJ062204.09-773101.7</td> <td>COS/FUV, TIME-TAG, PSA</td> <td>G160M 1577 A</td> <td>FP-POS=4; BUFFER-TIME=68 51</td> <td></td> <td></td> <td>2311 Secs (2311 Secs) [==>]</td> <td>[1]</td> </tr> <tr> <td>3</td> <td>G130M/129 1-FPPOS3 (1902296)</td> <td>(2) PQSJ062204.09-773101.7</td> <td>COS/FUV, TIME-TAG, PSA</td> <td>G130M 1291 A</td> <td>FP-POS=3; BUFFER-TIME=28 32</td> <td></td> <td></td> <td>2752 Secs (2752 Secs) [==>]</td> <td>[2]</td> </tr> <tr> <td>4</td> <td>G130M/129 1-FPPOS4 (1902296)</td> <td>(2) PQSJ062204.09-773101.7</td> <td>COS/FUV, TIME-TAG, PSA</td> <td>G130M 1291 A</td> <td>FP-POS=4; BUFFER-TIME=28 32</td> <td></td> <td></td> <td>2774 Secs (2774 Secs) [==>]</td> <td>[3]</td> </tr> </tbody> </table>										#	Label (ETC Run)	Target	Config,Mode,Aperture	Spectral Els.	Opt. Params.	Special Reqs.	Groups	Exp. Time (Total)/[Actual Dur.]	Orbit	1	ACQ/IMAG E (1929593)	(2) PQSJ062204.09-773101.7	COS/NUV, ACQ/IMAGE, PSA	MIRRORB				26 Secs (26 Secs) [==>]	[1]	2	G160M/157 7-FPPOS4 (1902297)	(2) PQSJ062204.09-773101.7	COS/FUV, TIME-TAG, PSA	G160M 1577 A	FP-POS=4; BUFFER-TIME=68 51			2311 Secs (2311 Secs) [==>]	[1]	3	G130M/129 1-FPPOS3 (1902296)	(2) PQSJ062204.09-773101.7	COS/FUV, TIME-TAG, PSA	G130M 1291 A	FP-POS=3; BUFFER-TIME=28 32			2752 Secs (2752 Secs) [==>]	[2]	4	G130M/129 1-FPPOS4 (1902296)	(2) PQSJ062204.09-773101.7	COS/FUV, TIME-TAG, PSA	G130M 1291 A	FP-POS=4; BUFFER-TIME=28 32			2774 Secs (2774 Secs) [==>]	[3]
#	Label (ETC Run)	Target	Config,Mode,Aperture	Spectral Els.	Opt. Params.	Special Reqs.	Groups	Exp. Time (Total)/[Actual Dur.]	Orbit																																																		
1	ACQ/IMAG E (1929593)	(2) PQSJ062204.09-773101.7	COS/NUV, ACQ/IMAGE, PSA	MIRRORB				26 Secs (26 Secs) [==>]	[1]																																																		
2	G160M/157 7-FPPOS4 (1902297)	(2) PQSJ062204.09-773101.7	COS/FUV, TIME-TAG, PSA	G160M 1577 A	FP-POS=4; BUFFER-TIME=68 51			2311 Secs (2311 Secs) [==>]	[1]																																																		
3	G130M/129 1-FPPOS3 (1902296)	(2) PQSJ062204.09-773101.7	COS/FUV, TIME-TAG, PSA	G130M 1291 A	FP-POS=3; BUFFER-TIME=28 32			2752 Secs (2752 Secs) [==>]	[2]																																																		
4	G130M/129 1-FPPOS4 (1902296)	(2) PQSJ062204.09-773101.7	COS/FUV, TIME-TAG, PSA	G130M 1291 A	FP-POS=4; BUFFER-TIME=28 32			2774 Secs (2774 Secs) [==>]	[3]																																																		

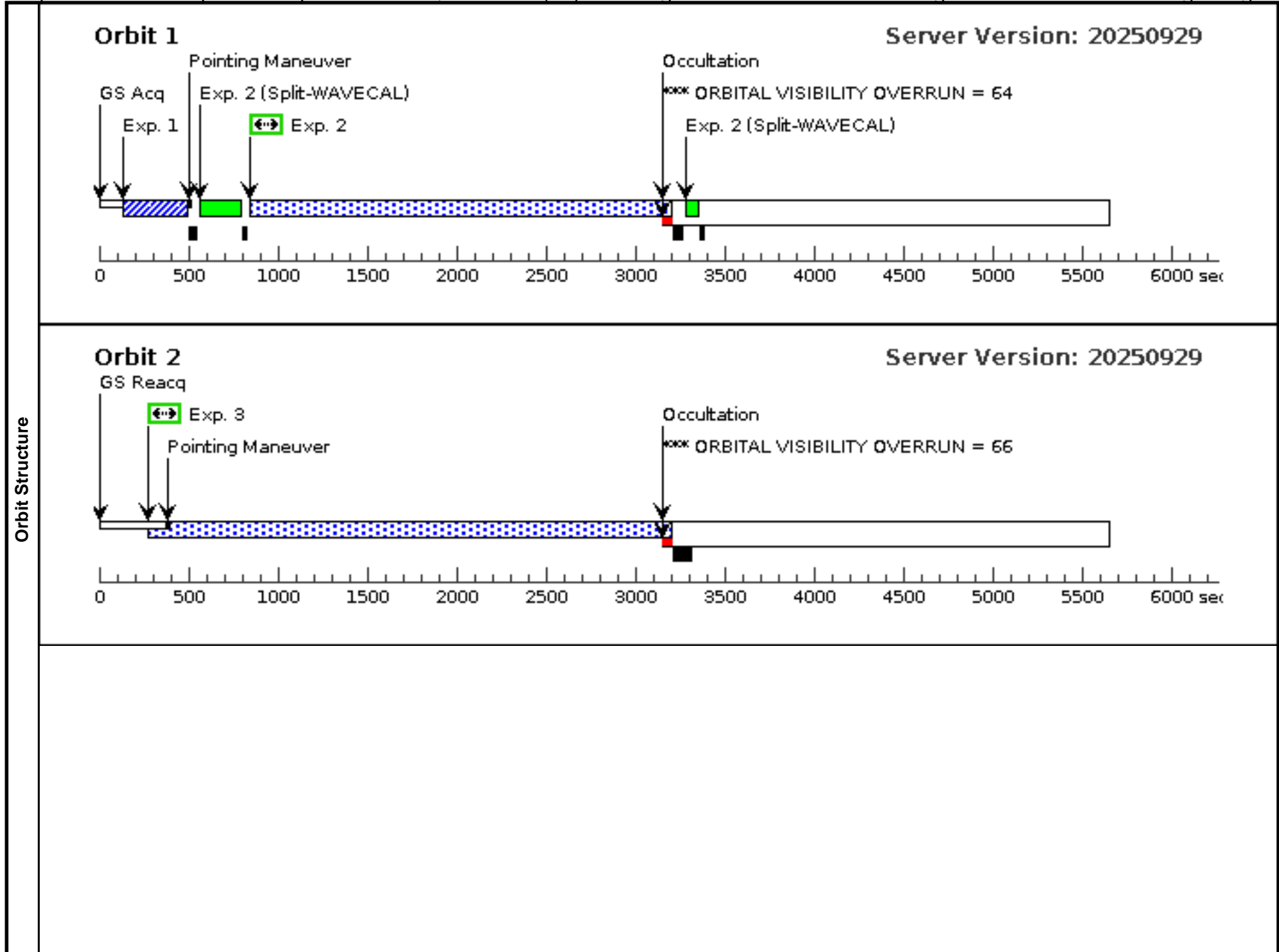


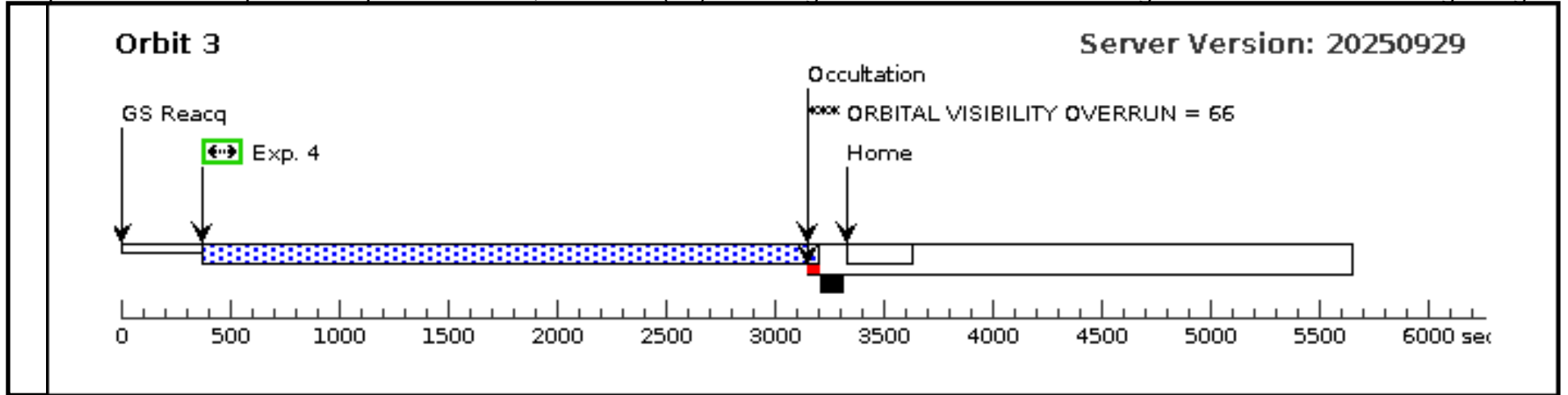


Proposal 17757 - Repeat of Object2-Visit2-PQSJ062204 (13) - Probing the front-side of the Circumgalactic Medium of the Large Mage...

Wed Jan 14 17:01:04 GMT 2026

Visit	Proposal 17757, Repeat of Object2-Visit2-PQSJ062204 (13) Diagnostic Status: Warning Scientific Instruments: COS/FUV, COS/NUV Special Requirements: (none)									
	(Repeat of Object2-Visit2-PQSJ062204 (13)) Warning (Form): For the best data quality, it is generally required to use all four FP-POS positions at a given COS cenwave (or 2 positions for certain exception cases). See extended explanation in the diagnostic browser. (Repeat of Object2-Visit2-PQSJ062204 (13)) Warning (Orbit Planner): ORBITAL VISIBILITY OVERRUN (Repeat of Object2-Visit2-PQSJ062204 (13)) Warning (Orbit Planner): ORBITAL VISIBILITY OVERRUN (Repeat of Object2-Visit2-PQSJ062204 (13)) Warning (Orbit Planner): ORBITAL VISIBILITY OVERRUN									
Diagnosics										
Fixed Targets	#	Name	Target Coordinates	Targ. Coord. Corrections	Fluxes	Miscellaneous				
	(2)	PQSJ062204.09-773101.7	RA: 06 22 4.0968 (95.5170700d) Dec: -77 31 1.74 (-77.51715d) Equinox: J2000	Epoch of Position: 2000 Redshift: 0.11251	V=16.09 17.12 FUV-mag	Reference Frame: ICRS				
Comments: This object was generated by the targetselector and retrieved from the GALEX database. Category=ISM Description=[ABSORPTION LINE SYSTEM, ABSORPTION LINE SYSTEM - EXTRAGALACTIC, ABSORPTION LINE SYSTEM - GALACTIC, CORONA, CORONAL GAS] Extended=NO										
Exposures	#	Label (ETC Run)	Target	Config,Mode,Aperture	Spectral Els.	Opt. Params.	Special Reqs.	Groups	Exp. Time (Total)/[Actual Dur.]	Orbit
	1	ACQ/IMAG E (1929593)	(2) PQSJ062204.09-773101.7	COS/NUV, ACQ/IMAGE, PSA	MIRRORB				26 Secs (26 Secs) [==>]	[1]
	2	G160M/157 7-FPPOS4 (1902297)	(2) PQSJ062204.09-773101.7	COS/FUV, TIME-TAG, PSA	G160M 1577 A	FP-POS=4; BUFFER-TIME=68 51			2311 Secs (2311 Secs) [==>]	[1]
	3	G130M/129 1-FPPOS3 (1902296)	(2) PQSJ062204.09-773101.7	COS/FUV, TIME-TAG, PSA	G130M 1291 A	FP-POS=3; BUFFER-TIME=28 32			2752 Secs (2752 Secs) [==>]	[2]
	4	G130M/129 1-FPPOS4 (1902296)	(2) PQSJ062204.09-773101.7	COS/FUV, TIME-TAG, PSA	G130M 1291 A	FP-POS=4; BUFFER-TIME=28 32			2774 Secs (2774 Secs) [==>]	[3]

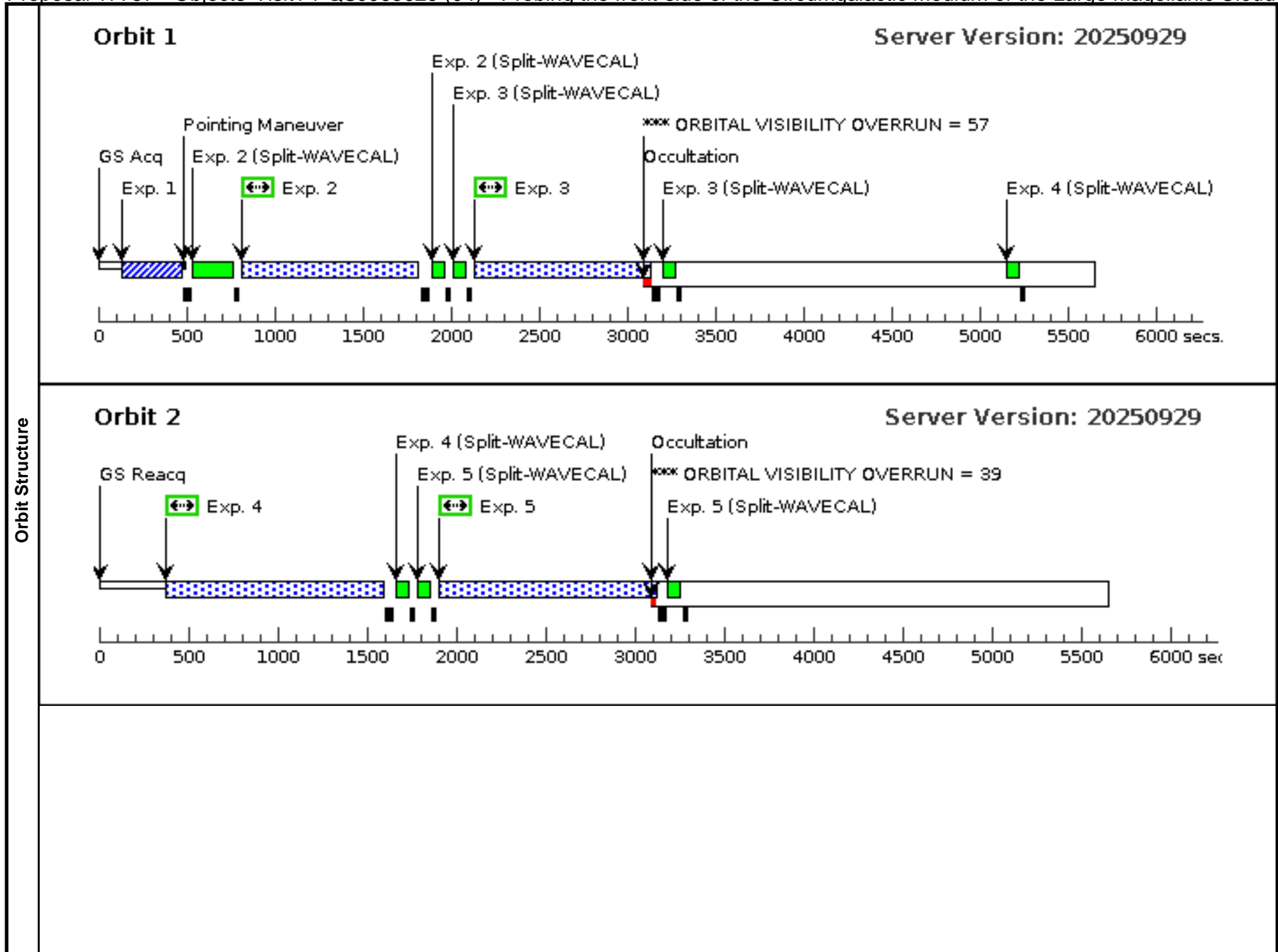


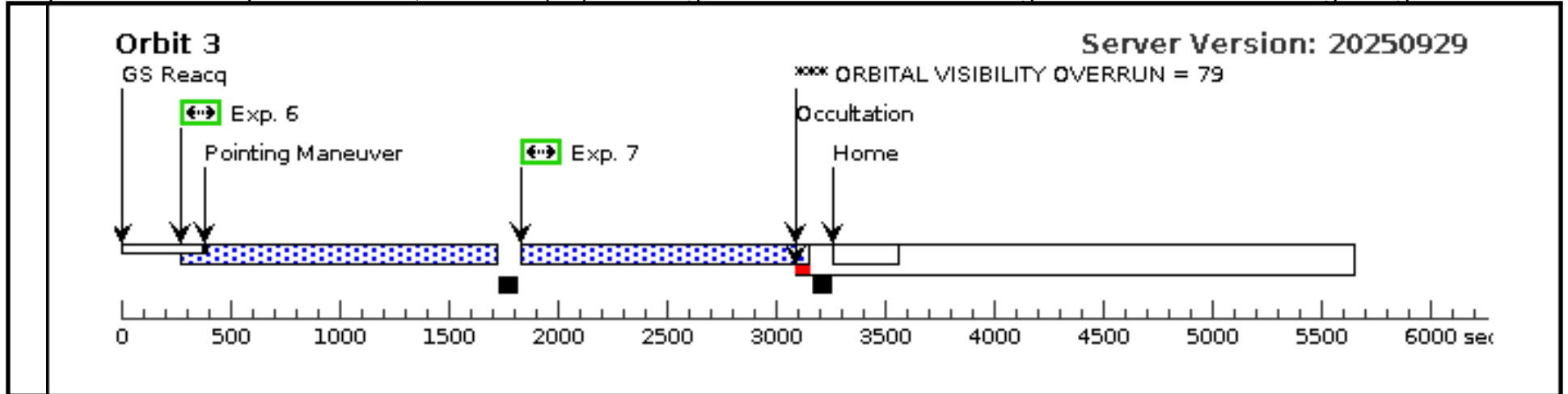


Proposal 17757 - Object3-Visit1-PQSJ065629 (04) - Probing the front-side of the Circumgalactic Medium of the Large Magellanic Cloud

Wed Jan 14 17:01:04 GMT 2026

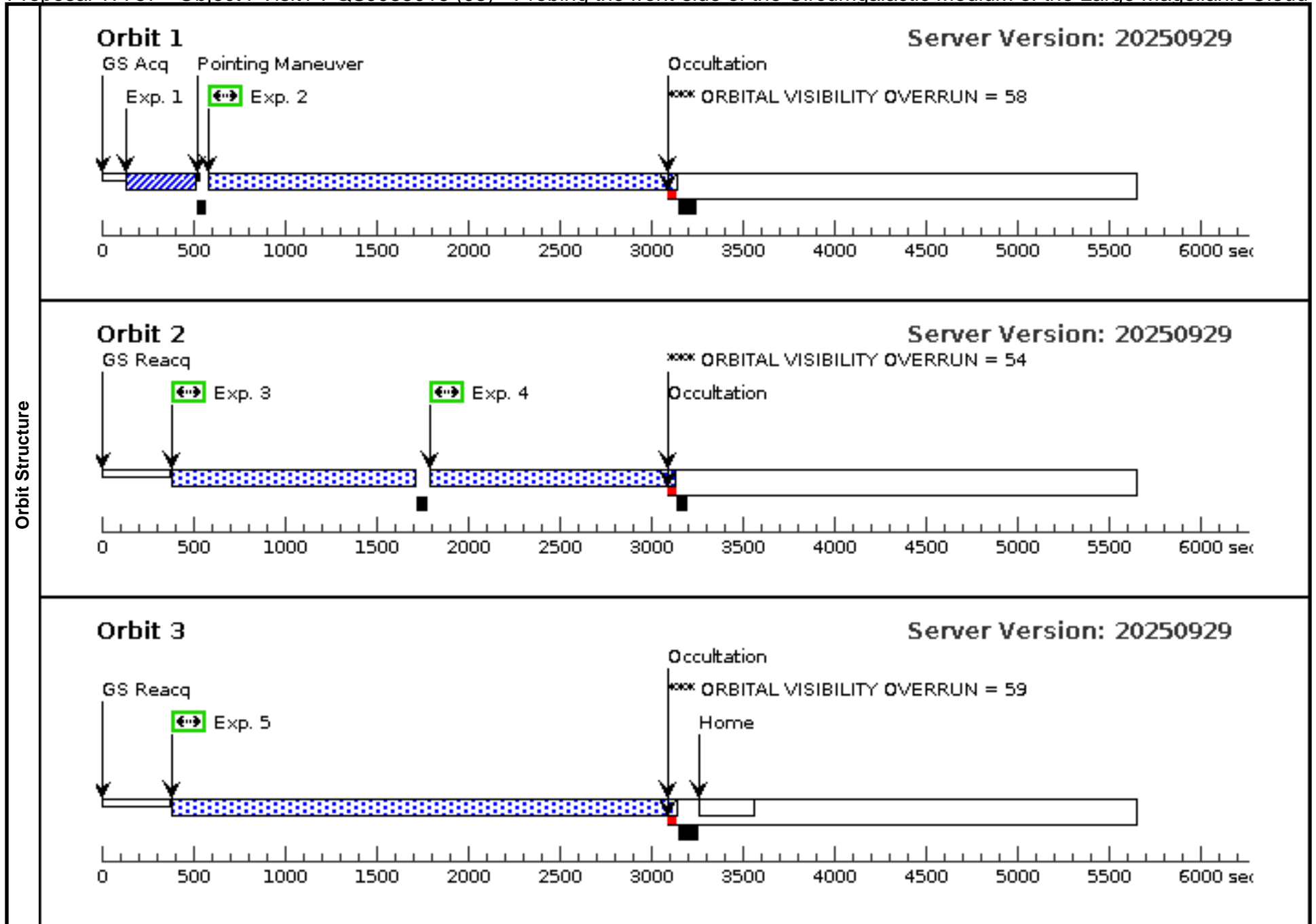
Visit	Proposal 17757, Object3-Visit1-PQSJ065629 (04), completed Diagnostic Status: Warning Scientific Instruments: COS/FUV, COS/NUV Special Requirements: (none)							
	(Object3-Visit1-PQSJ065629 (04)) Warning (Orbit Planner): ORBITAL VISIBILITY OVERRUN (Object3-Visit1-PQSJ065629 (04)) Warning (Orbit Planner): ORBITAL VISIBILITY OVERRUN (Object3-Visit1-PQSJ065629 (04)) Warning (Orbit Planner): ORBITAL VISIBILITY OVERRUN							
Fixed Targets	# Name Target Coordinates Targ. Coord. Corrections Fluxes Miscellaneous	(3) PQSJ065629.87-653337.1 RA: 06 56 29.8742 (104.1244758d) Dec: -65 33 37.19 (-65.56033d) Equinox: J2000	Epoch of Position: 2000 Redshift: 0.030451	V=14.55 16.26 FUV-mag	Reference Frame: ICRS			
	Comments: This object was generated by the targetselector and retrieved from the GALEX database. Category=ISM Description=[ABSORPTION LINE SYSTEM, ABSORPTION LINE SYSTEM - EXTRAGALACTIC, ABSORPTION LINE SYSTEM - GALACTIC, CORONA, CORONAL GAS] Extended=NO							
Exposures	# Label (ETC Run) Target Config,Mode,Aperture Spectral Els. Opt. Params. Special Reqs. Groups Exp. Time (Total)/[Actual Dur.] Orbit	1 ACQ/IMAG E (1929599) (3) PQSJ065629.87-653337.1 COS/NUV, ACQ/IMAGE, PSA MIRRORB 14 Secs (14 Secs) [==>] [1]	2 G160M/157 7-FPPOS1 (1902299) (3) PQSJ065629.87-653337.1 COS/FUV, TIME-TAG, PSA G160M 1577 A FP-POS=1; BUFFER-TIME=42 88 953 Secs (953 Secs) [==>] [1]	3 G160M/157 7-FPPOS2 (1902299) (3) PQSJ065629.87-653337.1 COS/FUV, TIME-TAG, PSA G160M 1577 A FP-POS=2; BUFFER-TIME=42 88 954 Secs (954 Secs) [==>] [1]	4 G160M/157 7-FPPOS3 (1902299) (3) PQSJ065629.87-653337.1 COS/FUV, TIME-TAG, PSA G160M 1577 A FP-POS=3; BUFFER-TIME=42 88 1165 Secs (1165 Secs) [==>] [2]	5 G160M/157 7-FPPOS4 (1902299) (3) PQSJ065629.87-653337.1 COS/FUV, TIME-TAG, PSA G160M 1577 A FP-POS=4; BUFFER-TIME=42 88 1165 Secs (1165 Secs) [==>] [2]	6 G130M/129 1-FPPOS3 (1902298) (3) PQSJ065629.87-653337.1 COS/FUV, TIME-TAG, PSA G130M 1291 A FP-POS=3; BUFFER-TIME=17 80 1271 Secs (1271 Secs) [==>] [3]	7 G130M/129 1-FPPOS4 (1902298) (3) PQSJ065629.87-653337.1 COS/FUV, TIME-TAG, PSA G130M 1291 A FP-POS=4; BUFFER-TIME=17 80 1272 Secs (1272 Secs) [==>] [3]





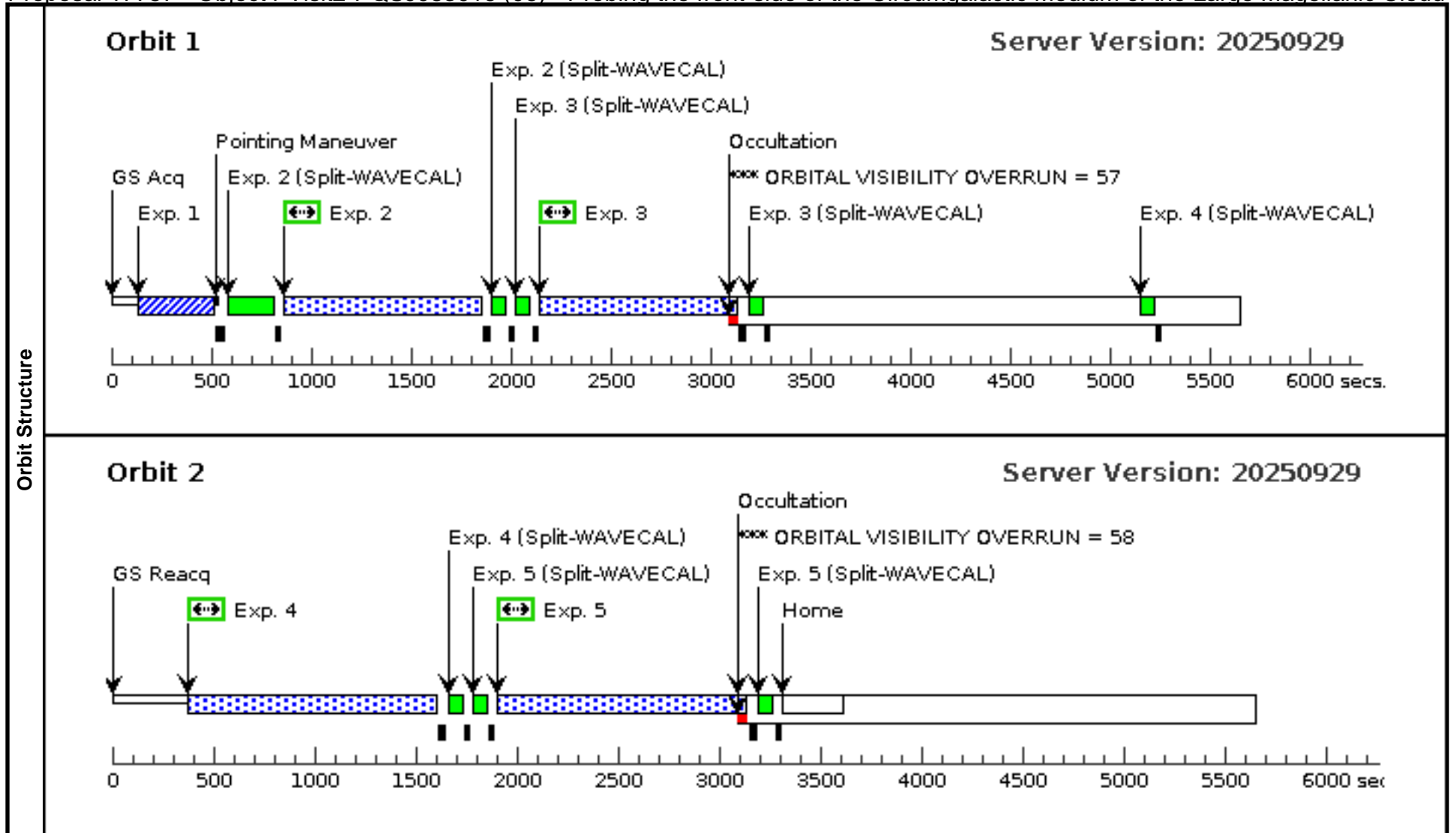
Proposal 17757 - Object4-Visit1-PQSJ083016 (05) - Probing the front-side of the Circumgalactic Medium of the Large Magellanic Cloud

Visit	Proposal 17757, Object4-Visit1-PQSJ083016 (05), completed Wed Jan 14 17:01:04 GMT 2026																																																																
	Diagnostic Status: Warning Scientific Instruments: COS/FUV, COS/NUV Special Requirements: (none)																																																																
Diagnostics	(Object4-Visit1-PQSJ083016 (05)) Warning (Orbit Planner): ORBITAL VISIBILITY OVERRUN (Object4-Visit1-PQSJ083016 (05)) Warning (Orbit Planner): ORBITAL VISIBILITY OVERRUN (Object4-Visit1-PQSJ083016 (05)) Warning (Orbit Planner): ORBITAL VISIBILITY OVERRUN																																																																
Fixed Targets	<table border="1"> <thead> <tr> <th>#</th> <th>Name</th> <th>Target Coordinates</th> <th>Targ. Coord. Corrections</th> <th>Fluxes</th> <th>Miscellaneous</th> </tr> </thead> <tbody> <tr> <td>(4)</td> <td>PQSJ083016.49-672528.6</td> <td>RA: 08 30 16.5000 (127.5687500d) Dec: -67 25 28.67 (-67.42463d) Equinox: J2000</td> <td>Epoch of Position: 2000 Redshift: 0.034760</td> <td>V=15.58 17.24 FUV-mag</td> <td>Reference Frame: ICRS</td> </tr> </tbody> </table>	#	Name	Target Coordinates	Targ. Coord. Corrections	Fluxes	Miscellaneous	(4)	PQSJ083016.49-672528.6	RA: 08 30 16.5000 (127.5687500d) Dec: -67 25 28.67 (-67.42463d) Equinox: J2000	Epoch of Position: 2000 Redshift: 0.034760	V=15.58 17.24 FUV-mag	Reference Frame: ICRS	Comments: This object was generated by the targetselector and retrieved from the GALEX database. We do not have V-mag info. 15.58 is the Johnson's B-band magnitude. Category=ISM Description=[ABSORPTION LINE SYSTEM, ABSORPTION LINE SYSTEM - EXTRAGALACTIC, ABSORPTION LINE SYSTEM - GALACTIC, CORONA, CORONAL GAS] Extended=NO																																																			
	#	Name	Target Coordinates	Targ. Coord. Corrections	Fluxes	Miscellaneous																																																											
(4)	PQSJ083016.49-672528.6	RA: 08 30 16.5000 (127.5687500d) Dec: -67 25 28.67 (-67.42463d) Equinox: J2000	Epoch of Position: 2000 Redshift: 0.034760	V=15.58 17.24 FUV-mag	Reference Frame: ICRS																																																												
<table border="1"> <thead> <tr> <th>#</th> <th>Label (ETC Run)</th> <th>Target</th> <th>Config,Mode,Aperture</th> <th>Spectral Els.</th> <th>Opt. Params.</th> <th>Special Reqs.</th> <th>Groups</th> <th>Exp. Time (Total)/[Actual Dur.]</th> <th>Orbit</th> </tr> </thead> <tbody> <tr> <td>1</td> <td>ACQ/IMAG E (1929614)</td> <td>(4) PQSJ083016.49-672528.6</td> <td>COS/NUV, ACQ/IMAGE, PSA</td> <td>MIRRORB</td> <td></td> <td></td> <td></td> <td>36 Secs (36 Secs) [==>]</td> <td>[1]</td> </tr> <tr> <td>2</td> <td>G130M/129 1-FPPOS3 (1902302)</td> <td>(4) PQSJ083016.49-672528.6</td> <td>COS/FUV, TIME-TAG, PSA</td> <td>G130M 1291 A</td> <td>FP-POS=3; BUFFER-TIME=28 92</td> <td></td> <td></td> <td>2386 Secs (2386 Secs) [==>]</td> <td>[1]</td> </tr> <tr> <td>3</td> <td>G130M/129 1-FPPOS3 (1902302)</td> <td>(4) PQSJ083016.49-672528.6</td> <td>COS/FUV, TIME-TAG, PSA</td> <td>G130M 1291 A</td> <td>FP-POS=3; BUFFER-TIME=28 92</td> <td></td> <td></td> <td>1284 Secs (1284 Secs) [==>]</td> <td>[2]</td> </tr> <tr> <td>4</td> <td>G130M/129 1-FPPOS4 (1902302)</td> <td>(4) PQSJ083016.49-672528.6</td> <td>COS/FUV, TIME-TAG, PSA</td> <td>G130M 1291 A</td> <td>FP-POS=4; BUFFER-TIME=28 92</td> <td></td> <td></td> <td>1284 Secs (1284 Secs) [==>]</td> <td>[2]</td> </tr> <tr> <td>5</td> <td>G130M/129 1-FPPOS4 (1902302)</td> <td>(4) PQSJ083016.49-672528.6</td> <td>COS/FUV, TIME-TAG, PSA</td> <td>G130M 1291 A</td> <td>FP-POS=4; BUFFER-TIME=28 92</td> <td></td> <td></td> <td>2707 Secs (2707 Secs) [==>]</td> <td>[3]</td> </tr> </tbody> </table>						#	Label (ETC Run)	Target	Config,Mode,Aperture	Spectral Els.	Opt. Params.	Special Reqs.	Groups	Exp. Time (Total)/[Actual Dur.]	Orbit	1	ACQ/IMAG E (1929614)	(4) PQSJ083016.49-672528.6	COS/NUV, ACQ/IMAGE, PSA	MIRRORB				36 Secs (36 Secs) [==>]	[1]	2	G130M/129 1-FPPOS3 (1902302)	(4) PQSJ083016.49-672528.6	COS/FUV, TIME-TAG, PSA	G130M 1291 A	FP-POS=3; BUFFER-TIME=28 92			2386 Secs (2386 Secs) [==>]	[1]	3	G130M/129 1-FPPOS3 (1902302)	(4) PQSJ083016.49-672528.6	COS/FUV, TIME-TAG, PSA	G130M 1291 A	FP-POS=3; BUFFER-TIME=28 92			1284 Secs (1284 Secs) [==>]	[2]	4	G130M/129 1-FPPOS4 (1902302)	(4) PQSJ083016.49-672528.6	COS/FUV, TIME-TAG, PSA	G130M 1291 A	FP-POS=4; BUFFER-TIME=28 92			1284 Secs (1284 Secs) [==>]	[2]	5	G130M/129 1-FPPOS4 (1902302)	(4) PQSJ083016.49-672528.6	COS/FUV, TIME-TAG, PSA	G130M 1291 A	FP-POS=4; BUFFER-TIME=28 92			2707 Secs (2707 Secs) [==>]	[3]
#	Label (ETC Run)	Target	Config,Mode,Aperture	Spectral Els.	Opt. Params.	Special Reqs.	Groups	Exp. Time (Total)/[Actual Dur.]	Orbit																																																								
1	ACQ/IMAG E (1929614)	(4) PQSJ083016.49-672528.6	COS/NUV, ACQ/IMAGE, PSA	MIRRORB				36 Secs (36 Secs) [==>]	[1]																																																								
2	G130M/129 1-FPPOS3 (1902302)	(4) PQSJ083016.49-672528.6	COS/FUV, TIME-TAG, PSA	G130M 1291 A	FP-POS=3; BUFFER-TIME=28 92			2386 Secs (2386 Secs) [==>]	[1]																																																								
3	G130M/129 1-FPPOS3 (1902302)	(4) PQSJ083016.49-672528.6	COS/FUV, TIME-TAG, PSA	G130M 1291 A	FP-POS=3; BUFFER-TIME=28 92			1284 Secs (1284 Secs) [==>]	[2]																																																								
4	G130M/129 1-FPPOS4 (1902302)	(4) PQSJ083016.49-672528.6	COS/FUV, TIME-TAG, PSA	G130M 1291 A	FP-POS=4; BUFFER-TIME=28 92			1284 Secs (1284 Secs) [==>]	[2]																																																								
5	G130M/129 1-FPPOS4 (1902302)	(4) PQSJ083016.49-672528.6	COS/FUV, TIME-TAG, PSA	G130M 1291 A	FP-POS=4; BUFFER-TIME=28 92			2707 Secs (2707 Secs) [==>]	[3]																																																								



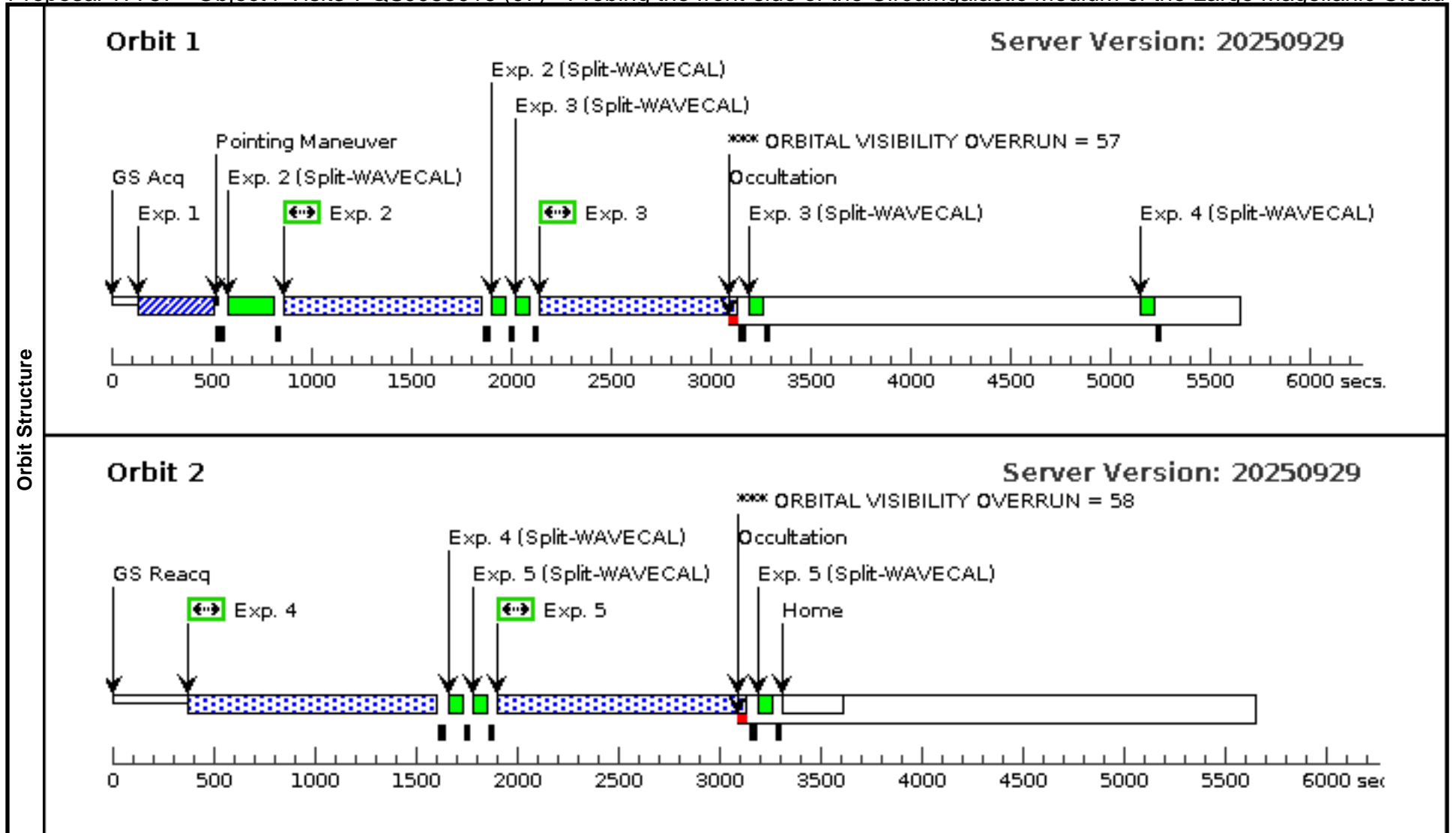
Proposal 17757 - Object4-Visit2-PQSJ083016 (06) - Probing the front-side of the Circumgalactic Medium of the Large Magellanic Cloud

Visit	Proposal 17757, Object4-Visit2-PQSJ083016 (06), completed Wed Jan 14 17:01:04 GMT 2026																																																																	
	Diagnostic Status: Warning Scientific Instruments: COS/FUV, COS/NUV Special Requirements: (none)																																																																	
Diagnostics	(Object4-Visit2-PQSJ083016 (06)) Warning (Orbit Planner): ORBITAL VISIBILITY OVERRUN																																																																	
	(Object4-Visit2-PQSJ083016 (06)) Warning (Orbit Planner): ORBITAL VISIBILITY OVERRUN																																																																	
Fixed Targets	<table border="1"> <thead> <tr> <th>#</th> <th>Name</th> <th>Target Coordinates</th> <th>Targ. Coord. Corrections</th> <th>Fluxes</th> <th>Miscellaneous</th> </tr> </thead> <tbody> <tr> <td>(4)</td> <td>PQSJ083016.49-672528.6</td> <td>RA: 08 30 16.5000 (127.5687500d) Dec: -67 25 28.67 (-67.42463d) Equinox: J2000</td> <td>Epoch of Position: 2000 Redshift: 0.034760</td> <td>V=15.58 17.24 FUV-mag</td> <td>Reference Frame: ICRS</td> </tr> </tbody> </table>	#	Name	Target Coordinates	Targ. Coord. Corrections	Fluxes	Miscellaneous	(4)	PQSJ083016.49-672528.6	RA: 08 30 16.5000 (127.5687500d) Dec: -67 25 28.67 (-67.42463d) Equinox: J2000	Epoch of Position: 2000 Redshift: 0.034760	V=15.58 17.24 FUV-mag	Reference Frame: ICRS	Comments: This object was generated by the targetselector and retrieved from the GALEX database. We do not have V-mag info. 15.58 is the Johnson's B-band magnitude. Category=ISM Description=[ABSORPTION LINE SYSTEM, ABSORPTION LINE SYSTEM - EXTRAGALACTIC, ABSORPTION LINE SYSTEM - GALACTIC, CORONA, CORONAL GAS] Extended=NO																																																				
	#	Name	Target Coordinates	Targ. Coord. Corrections	Fluxes	Miscellaneous																																																												
(4)	PQSJ083016.49-672528.6	RA: 08 30 16.5000 (127.5687500d) Dec: -67 25 28.67 (-67.42463d) Equinox: J2000	Epoch of Position: 2000 Redshift: 0.034760	V=15.58 17.24 FUV-mag	Reference Frame: ICRS																																																													
Exposures	<table border="1"> <thead> <tr> <th>#</th> <th>Label (ETC Run)</th> <th>Target</th> <th>Config,Mode,Aperture</th> <th>Spectral Els.</th> <th>Opt. Params.</th> <th>Special Reqs.</th> <th>Groups</th> <th>Exp. Time (Total)/[Actual Dur.]</th> <th>Orbit</th> </tr> </thead> <tbody> <tr> <td>1</td> <td>ACQ/IMAG E (1929614)</td> <td>(4) PQSJ083016.49-672528.6</td> <td>COS/NUV, ACQ/IMAGE, PSA</td> <td>MIRRORB</td> <td></td> <td></td> <td></td> <td>36 Secs (36 Secs) [==>]</td> <td>[1]</td> </tr> <tr> <td>2</td> <td>G160M/157 7-FPPOS1 (1902303)</td> <td>(4) PQSJ083016.49-672528.6</td> <td>COS/FUV, TIME-TAG, PSA</td> <td>G160M 1577 A</td> <td>FP-POS=1; BUFFER-TIME=70 20</td> <td></td> <td></td> <td>936 Secs (936 Secs) [==>]</td> <td>[1]</td> </tr> <tr> <td>3</td> <td>G160M/157 7-FPPOS2 (1902303)</td> <td>(4) PQSJ083016.49-672528.6</td> <td>COS/FUV, TIME-TAG, PSA</td> <td>G160M 1577 A</td> <td>FP-POS=2; BUFFER-TIME=70 20</td> <td></td> <td></td> <td>936 Secs (936 Secs) [==>]</td> <td>[1]</td> </tr> <tr> <td>4</td> <td>G160M/157 7-FPPOS3 (1902303)</td> <td>(4) PQSJ083016.49-672528.6</td> <td>COS/FUV, TIME-TAG, PSA</td> <td>G160M 1577 A</td> <td>FP-POS=3; BUFFER-TIME=70 20</td> <td></td> <td></td> <td>1179 Secs (1179 Secs) [==>]</td> <td>[2]</td> </tr> <tr> <td>5</td> <td>G160M/157 7-FPPOS4 (1902303)</td> <td>(4) PQSJ083016.49-672528.6</td> <td>COS/FUV, TIME-TAG, PSA</td> <td>G160M 1577 A</td> <td>FP-POS=4; BUFFER-TIME=70 20</td> <td></td> <td></td> <td>1179 Secs (1179 Secs) [==>]</td> <td>[2]</td> </tr> </tbody> </table>	#	Label (ETC Run)	Target	Config,Mode,Aperture	Spectral Els.	Opt. Params.	Special Reqs.	Groups	Exp. Time (Total)/[Actual Dur.]	Orbit	1	ACQ/IMAG E (1929614)	(4) PQSJ083016.49-672528.6	COS/NUV, ACQ/IMAGE, PSA	MIRRORB				36 Secs (36 Secs) [==>]	[1]	2	G160M/157 7-FPPOS1 (1902303)	(4) PQSJ083016.49-672528.6	COS/FUV, TIME-TAG, PSA	G160M 1577 A	FP-POS=1; BUFFER-TIME=70 20			936 Secs (936 Secs) [==>]	[1]	3	G160M/157 7-FPPOS2 (1902303)	(4) PQSJ083016.49-672528.6	COS/FUV, TIME-TAG, PSA	G160M 1577 A	FP-POS=2; BUFFER-TIME=70 20			936 Secs (936 Secs) [==>]	[1]	4	G160M/157 7-FPPOS3 (1902303)	(4) PQSJ083016.49-672528.6	COS/FUV, TIME-TAG, PSA	G160M 1577 A	FP-POS=3; BUFFER-TIME=70 20			1179 Secs (1179 Secs) [==>]	[2]	5	G160M/157 7-FPPOS4 (1902303)	(4) PQSJ083016.49-672528.6	COS/FUV, TIME-TAG, PSA	G160M 1577 A	FP-POS=4; BUFFER-TIME=70 20			1179 Secs (1179 Secs) [==>]	[2]					
	#	Label (ETC Run)	Target	Config,Mode,Aperture	Spectral Els.	Opt. Params.	Special Reqs.	Groups	Exp. Time (Total)/[Actual Dur.]	Orbit																																																								
	1	ACQ/IMAG E (1929614)	(4) PQSJ083016.49-672528.6	COS/NUV, ACQ/IMAGE, PSA	MIRRORB				36 Secs (36 Secs) [==>]	[1]																																																								
	2	G160M/157 7-FPPOS1 (1902303)	(4) PQSJ083016.49-672528.6	COS/FUV, TIME-TAG, PSA	G160M 1577 A	FP-POS=1; BUFFER-TIME=70 20			936 Secs (936 Secs) [==>]	[1]																																																								
	3	G160M/157 7-FPPOS2 (1902303)	(4) PQSJ083016.49-672528.6	COS/FUV, TIME-TAG, PSA	G160M 1577 A	FP-POS=2; BUFFER-TIME=70 20			936 Secs (936 Secs) [==>]	[1]																																																								
	4	G160M/157 7-FPPOS3 (1902303)	(4) PQSJ083016.49-672528.6	COS/FUV, TIME-TAG, PSA	G160M 1577 A	FP-POS=3; BUFFER-TIME=70 20			1179 Secs (1179 Secs) [==>]	[2]																																																								
5	G160M/157 7-FPPOS4 (1902303)	(4) PQSJ083016.49-672528.6	COS/FUV, TIME-TAG, PSA	G160M 1577 A	FP-POS=4; BUFFER-TIME=70 20			1179 Secs (1179 Secs) [==>]	[2]																																																									



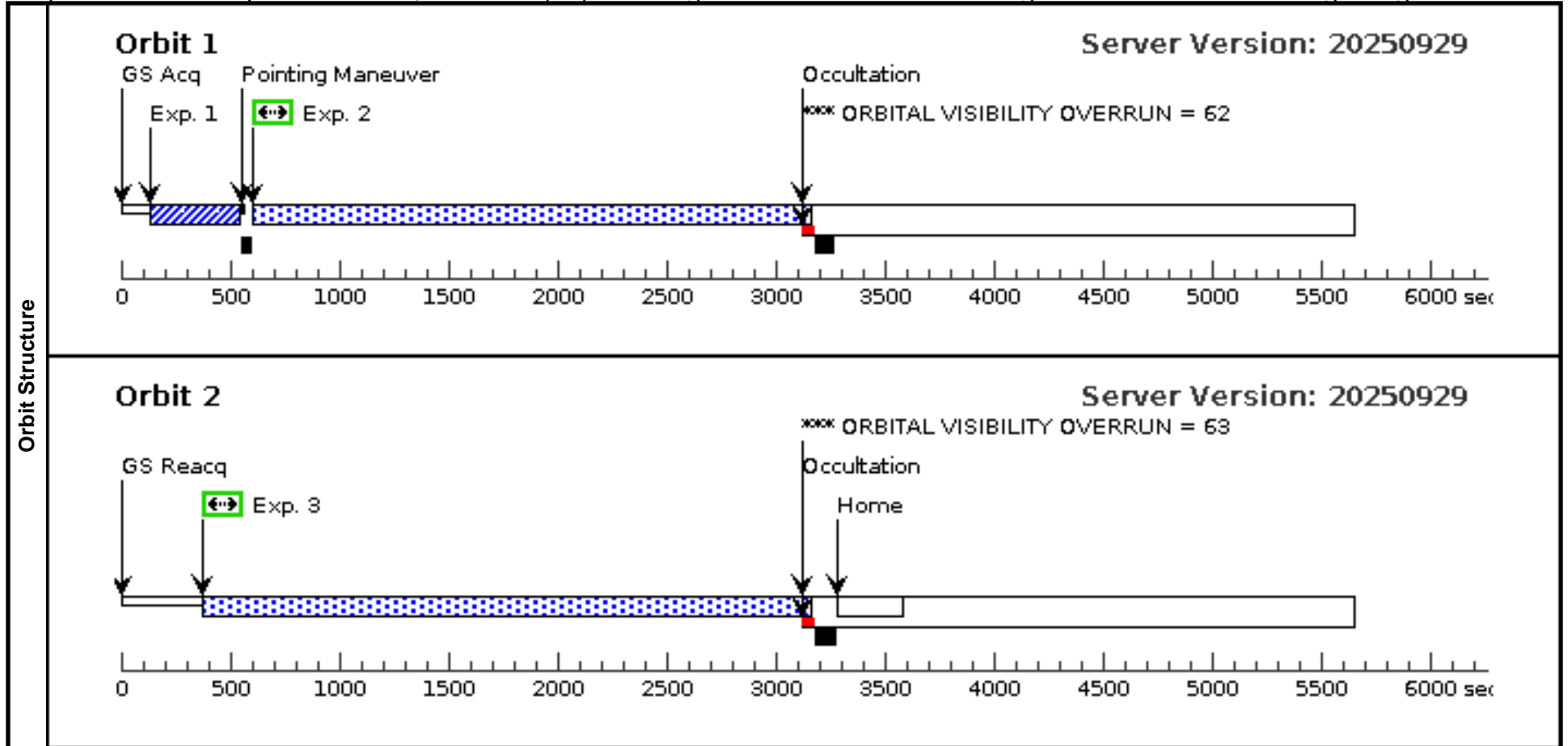
Proposal 17757 - Object4-Visit3-PQSJ083016 (07) - Probing the front-side of the Circumgalactic Medium of the Large Magellanic Cloud

Visit	Proposal 17757, Object4-Visit3-PQSJ083016 (07), completed Wed Jan 14 17:01:04 GMT 2026																																																																	
	Diagnostic Status: Warning Scientific Instruments: COS/FUV, COS/NUV Special Requirements: (none)																																																																	
Diagnostics	(Object4-Visit3-PQSJ083016 (07)) Warning (Orbit Planner): ORBITAL VISIBILITY OVERRUN																																																																	
	(Object4-Visit3-PQSJ083016 (07)) Warning (Orbit Planner): ORBITAL VISIBILITY OVERRUN																																																																	
Fixed Targets	<table border="1"> <thead> <tr> <th>#</th> <th>Name</th> <th>Target Coordinates</th> <th>Targ. Coord. Corrections</th> <th>Fluxes</th> <th>Miscellaneous</th> </tr> </thead> <tbody> <tr> <td>(4)</td> <td>PQSJ083016.49-672528.6</td> <td>RA: 08 30 16.5000 (127.5687500d) Dec: -67 25 28.67 (-67.42463d) Equinox: J2000</td> <td>Epoch of Position: 2000 Redshift: 0.034760</td> <td>V=15.58 17.24 FUV-mag</td> <td>Reference Frame: ICRS</td> </tr> </tbody> </table>	#	Name	Target Coordinates	Targ. Coord. Corrections	Fluxes	Miscellaneous	(4)	PQSJ083016.49-672528.6	RA: 08 30 16.5000 (127.5687500d) Dec: -67 25 28.67 (-67.42463d) Equinox: J2000	Epoch of Position: 2000 Redshift: 0.034760	V=15.58 17.24 FUV-mag	Reference Frame: ICRS	Comments: This object was generated by the targetselector and retrieved from the GALEX database. We do not have V-mag info. 15.58 is the Johnson's B-band magnitude. Category=ISM Description=[ABSORPTION LINE SYSTEM, ABSORPTION LINE SYSTEM - EXTRAGALACTIC, ABSORPTION LINE SYSTEM - GALACTIC, CORONA, CORONAL GAS] Extended=NO																																																				
	#	Name	Target Coordinates	Targ. Coord. Corrections	Fluxes	Miscellaneous																																																												
(4)	PQSJ083016.49-672528.6	RA: 08 30 16.5000 (127.5687500d) Dec: -67 25 28.67 (-67.42463d) Equinox: J2000	Epoch of Position: 2000 Redshift: 0.034760	V=15.58 17.24 FUV-mag	Reference Frame: ICRS																																																													
Exposures	<table border="1"> <thead> <tr> <th>#</th> <th>Label (ETC Run)</th> <th>Target</th> <th>Config,Mode,Aperture</th> <th>Spectral Els.</th> <th>Opt. Params.</th> <th>Special Reqs.</th> <th>Groups</th> <th>Exp. Time (Total)/[Actual Dur.]</th> <th>Orbit</th> </tr> </thead> <tbody> <tr> <td>1</td> <td>ACQ/IMAG E (1929614)</td> <td>(4) PQSJ083016.49-672528.6</td> <td>COS/NUV, ACQ/IMAGE, PSA</td> <td>MIRRORB</td> <td></td> <td></td> <td></td> <td>36 Secs (36 Secs) [==>]</td> <td>[1]</td> </tr> <tr> <td>2</td> <td>G160M/157 7-FPPOS1 (1902303)</td> <td>(4) PQSJ083016.49-672528.6</td> <td>COS/FUV, TIME-TAG, PSA</td> <td>G160M 1577 A</td> <td>FP-POS=1; BUFFER-TIME=70 20</td> <td></td> <td></td> <td>936 Secs (936 Secs) [==>]</td> <td>[1]</td> </tr> <tr> <td>3</td> <td>G160M/157 7-FPPOS2 (1902303)</td> <td>(4) PQSJ083016.49-672528.6</td> <td>COS/FUV, TIME-TAG, PSA</td> <td>G160M 1577 A</td> <td>FP-POS=2; BUFFER-TIME=70 20</td> <td></td> <td></td> <td>936 Secs (936 Secs) [==>]</td> <td>[1]</td> </tr> <tr> <td>4</td> <td>G160M/157 7-FPPOS3 (1902303)</td> <td>(4) PQSJ083016.49-672528.6</td> <td>COS/FUV, TIME-TAG, PSA</td> <td>G160M 1577 A</td> <td>FP-POS=3; BUFFER-TIME=70 20</td> <td></td> <td></td> <td>1179 Secs (1179 Secs) [==>]</td> <td>[2]</td> </tr> <tr> <td>5</td> <td>G160M/157 7-FPPOS4 (1902303)</td> <td>(4) PQSJ083016.49-672528.6</td> <td>COS/FUV, TIME-TAG, PSA</td> <td>G160M 1577 A</td> <td>FP-POS=4; BUFFER-TIME=70 20</td> <td></td> <td></td> <td>1179 Secs (1179 Secs) [==>]</td> <td>[2]</td> </tr> </tbody> </table>	#	Label (ETC Run)	Target	Config,Mode,Aperture	Spectral Els.	Opt. Params.	Special Reqs.	Groups	Exp. Time (Total)/[Actual Dur.]	Orbit	1	ACQ/IMAG E (1929614)	(4) PQSJ083016.49-672528.6	COS/NUV, ACQ/IMAGE, PSA	MIRRORB				36 Secs (36 Secs) [==>]	[1]	2	G160M/157 7-FPPOS1 (1902303)	(4) PQSJ083016.49-672528.6	COS/FUV, TIME-TAG, PSA	G160M 1577 A	FP-POS=1; BUFFER-TIME=70 20			936 Secs (936 Secs) [==>]	[1]	3	G160M/157 7-FPPOS2 (1902303)	(4) PQSJ083016.49-672528.6	COS/FUV, TIME-TAG, PSA	G160M 1577 A	FP-POS=2; BUFFER-TIME=70 20			936 Secs (936 Secs) [==>]	[1]	4	G160M/157 7-FPPOS3 (1902303)	(4) PQSJ083016.49-672528.6	COS/FUV, TIME-TAG, PSA	G160M 1577 A	FP-POS=3; BUFFER-TIME=70 20			1179 Secs (1179 Secs) [==>]	[2]	5	G160M/157 7-FPPOS4 (1902303)	(4) PQSJ083016.49-672528.6	COS/FUV, TIME-TAG, PSA	G160M 1577 A	FP-POS=4; BUFFER-TIME=70 20			1179 Secs (1179 Secs) [==>]	[2]					
	#	Label (ETC Run)	Target	Config,Mode,Aperture	Spectral Els.	Opt. Params.	Special Reqs.	Groups	Exp. Time (Total)/[Actual Dur.]	Orbit																																																								
	1	ACQ/IMAG E (1929614)	(4) PQSJ083016.49-672528.6	COS/NUV, ACQ/IMAGE, PSA	MIRRORB				36 Secs (36 Secs) [==>]	[1]																																																								
	2	G160M/157 7-FPPOS1 (1902303)	(4) PQSJ083016.49-672528.6	COS/FUV, TIME-TAG, PSA	G160M 1577 A	FP-POS=1; BUFFER-TIME=70 20			936 Secs (936 Secs) [==>]	[1]																																																								
	3	G160M/157 7-FPPOS2 (1902303)	(4) PQSJ083016.49-672528.6	COS/FUV, TIME-TAG, PSA	G160M 1577 A	FP-POS=2; BUFFER-TIME=70 20			936 Secs (936 Secs) [==>]	[1]																																																								
	4	G160M/157 7-FPPOS3 (1902303)	(4) PQSJ083016.49-672528.6	COS/FUV, TIME-TAG, PSA	G160M 1577 A	FP-POS=3; BUFFER-TIME=70 20			1179 Secs (1179 Secs) [==>]	[2]																																																								
5	G160M/157 7-FPPOS4 (1902303)	(4) PQSJ083016.49-672528.6	COS/FUV, TIME-TAG, PSA	G160M 1577 A	FP-POS=4; BUFFER-TIME=70 20			1179 Secs (1179 Secs) [==>]	[2]																																																									



Proposal 17757 - Object5-Visit1-PQSJ170025 (08) - Probing the front-side of the Circumgalactic Medium of the Large Magellanic Cloud

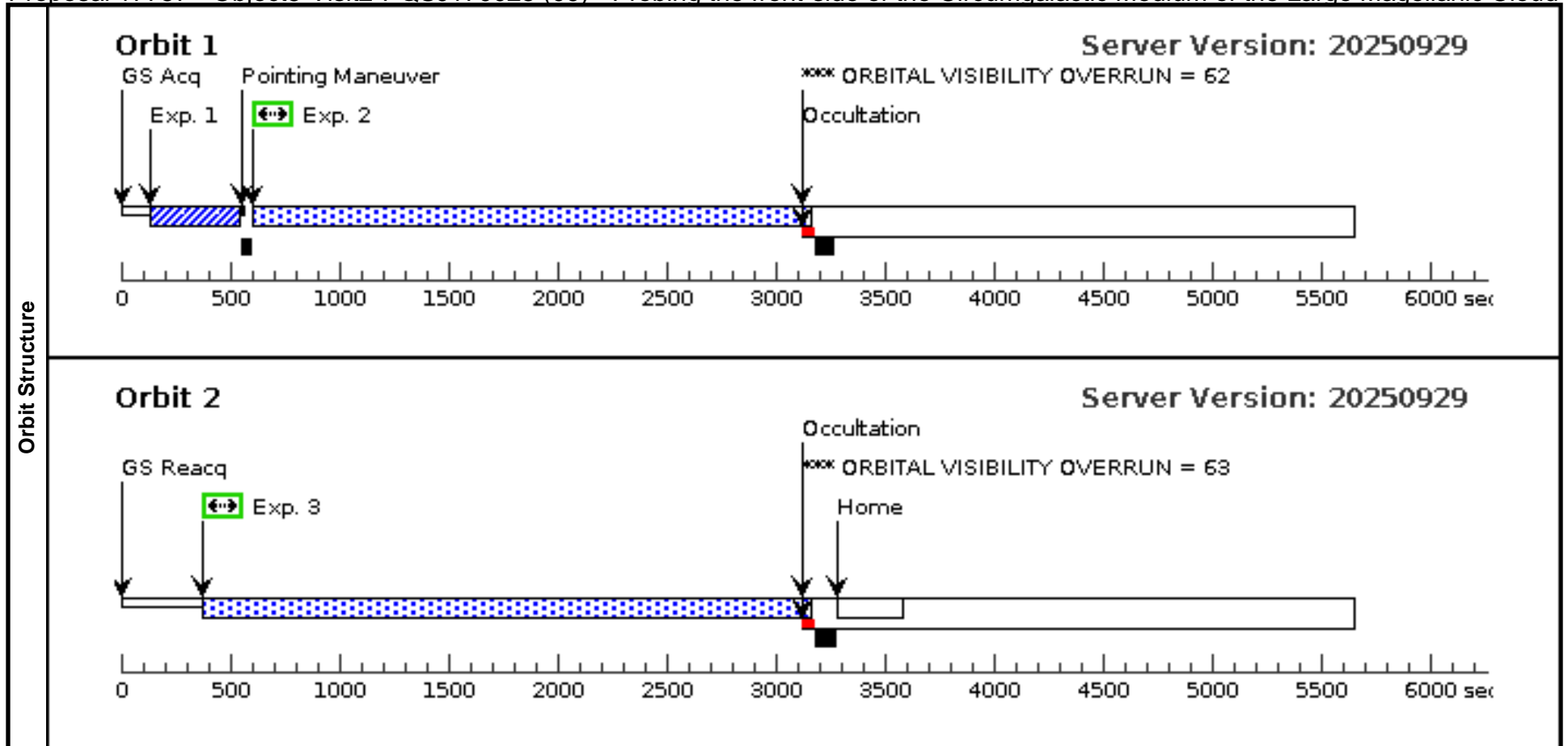
Visit	Proposal 17757, Object5-Visit1-PQSJ170025 (08), completed Wed Jan 14 17:01:04 GMT 2026																																													
	Diagnostic Status: Warning Scientific Instruments: COS/FUV, COS/NUV Special Requirements: (none)																																													
Diagnostics	(Object5-Visit1-PQSJ170025 (08)) Warning (Orbit Planner): ORBITAL VISIBILITY OVERRUN																																													
	(Object5-Visit1-PQSJ170025 (08)) Warning (Orbit Planner): ORBITAL VISIBILITY OVERRUN																																													
Fixed Targets	<table border="1"> <thead> <tr> <th>#</th> <th>Name</th> <th>Target Coordinates</th> <th>Targ. Coord. Corrections</th> <th>Fluxes</th> <th>Miscellaneous</th> </tr> </thead> <tbody> <tr> <td>(5)</td> <td>PQSJ170025.18-724044.7</td> <td>RA: 17 00 25.1885 (255.1049521d) Dec: -72 40 44.79 (-72.67911d) Equinox: J2000</td> <td>Epoch of Position: 2000 Redshift: 0.104740</td> <td>V=18.08 17.77 FUV-mag</td> <td>Reference Frame: ICRS</td> </tr> </tbody> </table>	#	Name	Target Coordinates	Targ. Coord. Corrections	Fluxes	Miscellaneous	(5)	PQSJ170025.18-724044.7	RA: 17 00 25.1885 (255.1049521d) Dec: -72 40 44.79 (-72.67911d) Equinox: J2000	Epoch of Position: 2000 Redshift: 0.104740	V=18.08 17.77 FUV-mag	Reference Frame: ICRS	Comments: This object was generated by the targetselector and retrieved from the GALEX database. We do not have V-mag info. 18.08 is the Johnson's B-band magnitude. Category=ISM Description=[ABSORPTION LINE SYSTEM, ABSORPTION LINE SYSTEM - EXTRAGALACTIC, ABSORPTION LINE SYSTEM - GALACTIC, CORONA, CORONAL GAS] Extended=NO																																
	#	Name	Target Coordinates	Targ. Coord. Corrections	Fluxes	Miscellaneous																																								
(5)	PQSJ170025.18-724044.7	RA: 17 00 25.1885 (255.1049521d) Dec: -72 40 44.79 (-72.67911d) Equinox: J2000	Epoch of Position: 2000 Redshift: 0.104740	V=18.08 17.77 FUV-mag	Reference Frame: ICRS																																									
Exposures	<table border="1"> <thead> <tr> <th>#</th> <th>Label (ETC Run)</th> <th>Target</th> <th>Config,Mode,Aperture</th> <th>Spectral Els.</th> <th>Opt. Params.</th> <th>Special Reqs.</th> <th>Groups</th> <th>Exp. Time (Total)/[Actual Dur.]</th> <th>Orbit</th> </tr> </thead> <tbody> <tr> <td>1</td> <td>ACQ/IMAG E (1929660)</td> <td>(5) PQSJ170025.18-724044.7</td> <td>COS/NUV, ACQ/IMAGE, PSA</td> <td>MIRRORB</td> <td></td> <td></td> <td></td> <td>50 Secs (50 Secs) [==>]</td> <td>[1]</td> </tr> <tr> <td>2</td> <td>G130M/FPP OS3 (1902304)</td> <td>(5) PQSJ170025.18-724044.7</td> <td>COS/FUV, TIME-TAG, PSA</td> <td>G130M 1291 A</td> <td>FP-POS=3; BUFFER-TIME=34 70</td> <td></td> <td></td> <td>2391 Secs (2391 Secs) [==>]</td> <td>[1]</td> </tr> <tr> <td>3</td> <td>G130M/FPP OS4 (1902304)</td> <td>(5) PQSJ170025.18-724044.7</td> <td>COS/FUV, TIME-TAG, PSA</td> <td>G130M 1291 A</td> <td>FP-POS=4; BUFFER-TIME=34 70</td> <td></td> <td></td> <td>2740 Secs (2740 Secs) [==>]</td> <td>[2]</td> </tr> </tbody> </table>	#	Label (ETC Run)	Target	Config,Mode,Aperture	Spectral Els.	Opt. Params.	Special Reqs.	Groups	Exp. Time (Total)/[Actual Dur.]	Orbit	1	ACQ/IMAG E (1929660)	(5) PQSJ170025.18-724044.7	COS/NUV, ACQ/IMAGE, PSA	MIRRORB				50 Secs (50 Secs) [==>]	[1]	2	G130M/FPP OS3 (1902304)	(5) PQSJ170025.18-724044.7	COS/FUV, TIME-TAG, PSA	G130M 1291 A	FP-POS=3; BUFFER-TIME=34 70			2391 Secs (2391 Secs) [==>]	[1]	3	G130M/FPP OS4 (1902304)	(5) PQSJ170025.18-724044.7	COS/FUV, TIME-TAG, PSA	G130M 1291 A	FP-POS=4; BUFFER-TIME=34 70			2740 Secs (2740 Secs) [==>]	[2]					
	#	Label (ETC Run)	Target	Config,Mode,Aperture	Spectral Els.	Opt. Params.	Special Reqs.	Groups	Exp. Time (Total)/[Actual Dur.]	Orbit																																				
	1	ACQ/IMAG E (1929660)	(5) PQSJ170025.18-724044.7	COS/NUV, ACQ/IMAGE, PSA	MIRRORB				50 Secs (50 Secs) [==>]	[1]																																				
	2	G130M/FPP OS3 (1902304)	(5) PQSJ170025.18-724044.7	COS/FUV, TIME-TAG, PSA	G130M 1291 A	FP-POS=3; BUFFER-TIME=34 70			2391 Secs (2391 Secs) [==>]	[1]																																				
3	G130M/FPP OS4 (1902304)	(5) PQSJ170025.18-724044.7	COS/FUV, TIME-TAG, PSA	G130M 1291 A	FP-POS=4; BUFFER-TIME=34 70			2740 Secs (2740 Secs) [==>]	[2]																																					



Proposal 17757 - Object5-Visit2-PQSJ170025 (09) - Probing the front-side of the Circumgalactic Medium of the Large Magellanic Cloud

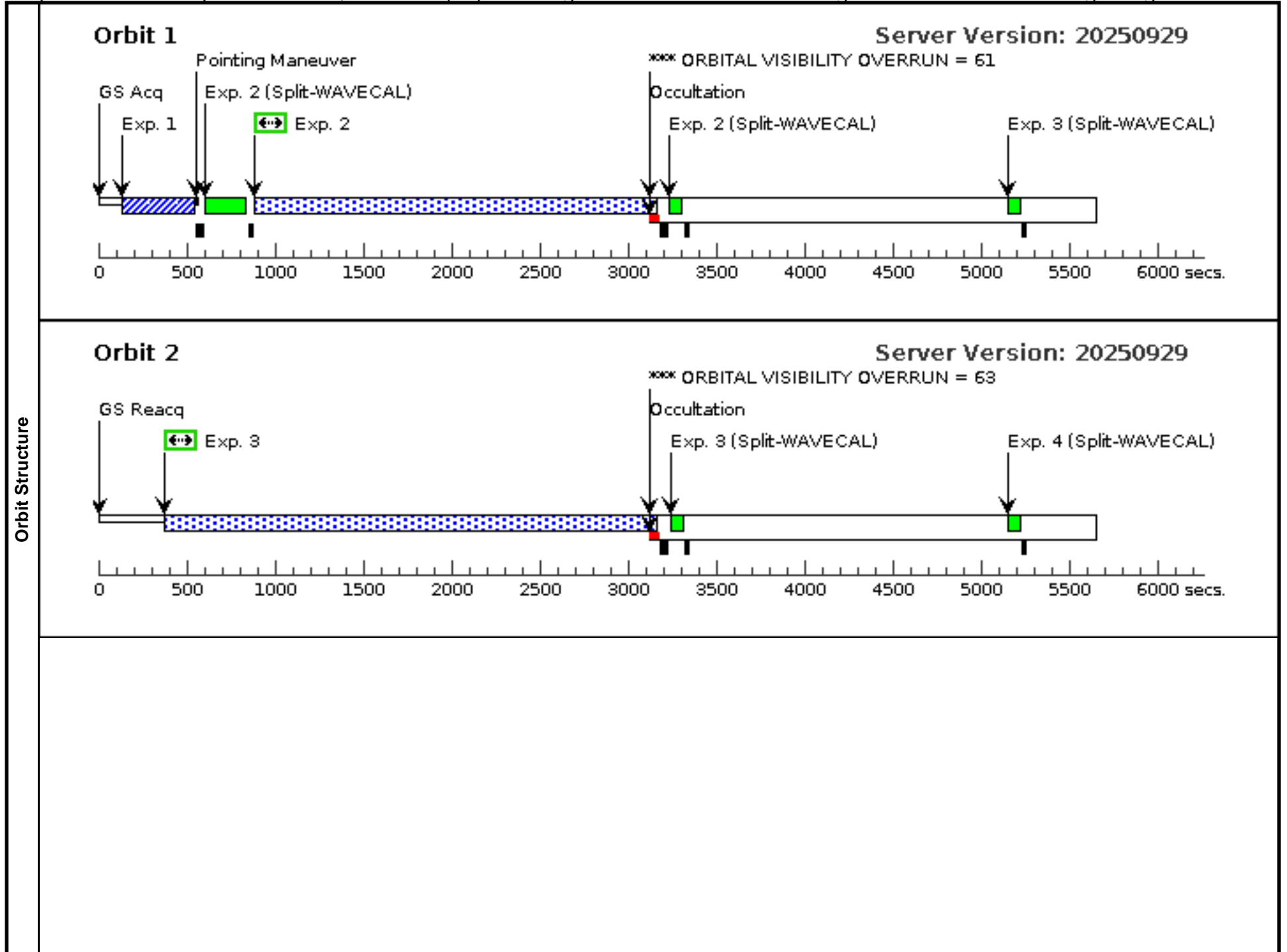
Wed Jan 14 17:01:05 GMT 2026

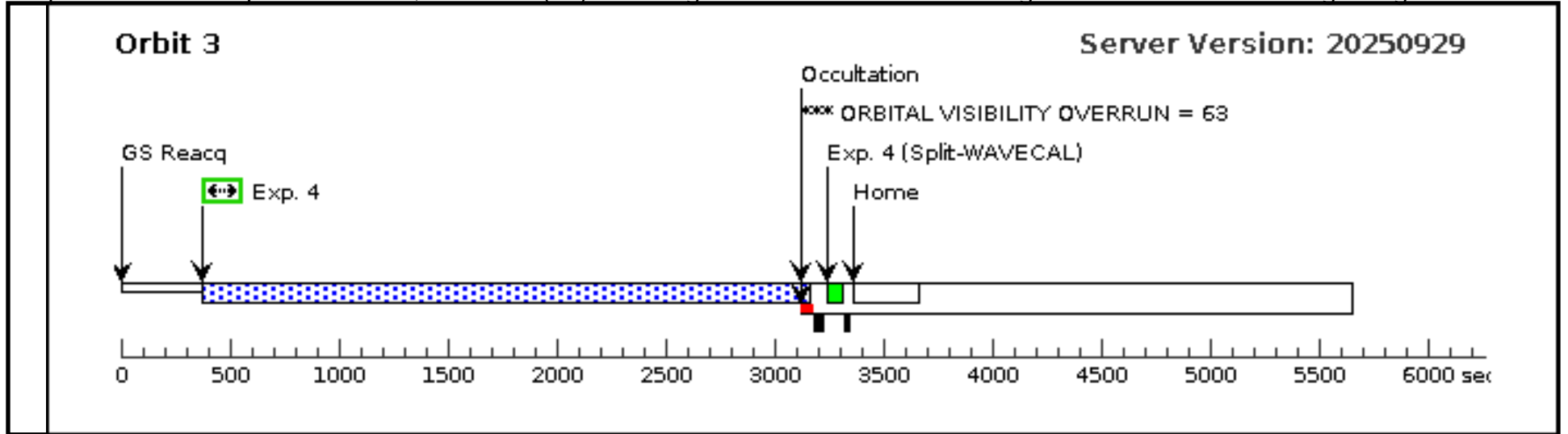
Visit	Proposal 17757, Object5-Visit2-PQSJ170025 (09), completed Diagnostic Status: Warning Scientific Instruments: COS/FUV, COS/NUV Special Requirements: (none)																																												
	(Object5-Visit2-PQSJ170025 (09)) Warning (Orbit Planner): ORBITAL VISIBILITY OVERRUN (Object5-Visit2-PQSJ170025 (09)) Warning (Orbit Planner): ORBITAL VISIBILITY OVERRUN																																												
Diagnosics																																													
Fixed Targets	<table border="1"> <thead> <tr> <th>#</th> <th>Name</th> <th>Target Coordinates</th> <th>Targ. Coord. Corrections</th> <th>Fluxes</th> <th>Miscellaneous</th> </tr> </thead> <tbody> <tr> <td>(5)</td> <td>PQSJ170025.18-724044.7</td> <td>RA: 17 00 25.1885 (255.1049521d) Dec: -72 40 44.79 (-72.67911d) Equinox: J2000</td> <td>Epoch of Position: 2000 Redshift: 0.104740</td> <td>V=18.08 17.77 FUV-mag</td> <td>Reference Frame: ICRS</td> </tr> </tbody> </table>	#	Name	Target Coordinates	Targ. Coord. Corrections	Fluxes	Miscellaneous	(5)	PQSJ170025.18-724044.7	RA: 17 00 25.1885 (255.1049521d) Dec: -72 40 44.79 (-72.67911d) Equinox: J2000	Epoch of Position: 2000 Redshift: 0.104740	V=18.08 17.77 FUV-mag	Reference Frame: ICRS	<p><i>Comments: This object was generated by the targetselector and retrieved from the GALEX database.</i></p> <p><i>We do not have V-mag info. 18.08 is the Johnson's B-band magnitude.</i></p> <p><i>Category=ISM</i></p> <p><i>Description=[ABSORPTION LINE SYSTEM, ABSORPTION LINE SYSTEM - EXTRAGALACTIC, ABSORPTION LINE SYSTEM - GALACTIC, CORONA, CORONAL GAS]</i></p> <p><i>Extended=NO</i></p>																															
	#	Name	Target Coordinates	Targ. Coord. Corrections	Fluxes	Miscellaneous																																							
(5)	PQSJ170025.18-724044.7	RA: 17 00 25.1885 (255.1049521d) Dec: -72 40 44.79 (-72.67911d) Equinox: J2000	Epoch of Position: 2000 Redshift: 0.104740	V=18.08 17.77 FUV-mag	Reference Frame: ICRS																																								
	<table border="1"> <thead> <tr> <th>#</th> <th>Label (ETC Run)</th> <th>Target</th> <th>Config,Mode,Aperture</th> <th>Spectral Els.</th> <th>Opt. Params.</th> <th>Special Reqs.</th> <th>Groups</th> <th>Exp. Time (Total)/[Actual Dur.]</th> <th>Orbit</th> </tr> </thead> <tbody> <tr> <td>1</td> <td>ACQ/IMAG E (1929660)</td> <td>(5) PQSJ170025.18-724044.7</td> <td>COS/NUV, ACQ/IMAGE, PSA</td> <td>MIRRORB</td> <td></td> <td></td> <td></td> <td>50 Secs (50 Secs) [==>]</td> <td>[1]</td> </tr> <tr> <td>2</td> <td>G130M/FPP OS3 (1902304)</td> <td>(5) PQSJ170025.18-724044.7</td> <td>COS/FUV, TIME-TAG, PSA</td> <td>G130M 1291 A</td> <td>FP-POS=3; BUFFER-TIME=34 70</td> <td></td> <td></td> <td>2391 Secs (2391 Secs) [==>]</td> <td>[1]</td> </tr> <tr> <td>3</td> <td>G130M/FPP OS4 (1902304)</td> <td>(5) PQSJ170025.18-724044.7</td> <td>COS/FUV, TIME-TAG, PSA</td> <td>G130M 1291 A</td> <td>FP-POS=4; BUFFER-TIME=34 70</td> <td></td> <td></td> <td>2740 Secs (2740 Secs) [==>]</td> <td>[2]</td> </tr> </tbody> </table>					#	Label (ETC Run)	Target	Config,Mode,Aperture	Spectral Els.	Opt. Params.	Special Reqs.	Groups	Exp. Time (Total)/[Actual Dur.]	Orbit	1	ACQ/IMAG E (1929660)	(5) PQSJ170025.18-724044.7	COS/NUV, ACQ/IMAGE, PSA	MIRRORB				50 Secs (50 Secs) [==>]	[1]	2	G130M/FPP OS3 (1902304)	(5) PQSJ170025.18-724044.7	COS/FUV, TIME-TAG, PSA	G130M 1291 A	FP-POS=3; BUFFER-TIME=34 70			2391 Secs (2391 Secs) [==>]	[1]	3	G130M/FPP OS4 (1902304)	(5) PQSJ170025.18-724044.7	COS/FUV, TIME-TAG, PSA	G130M 1291 A	FP-POS=4; BUFFER-TIME=34 70			2740 Secs (2740 Secs) [==>]	[2]
#	Label (ETC Run)	Target	Config,Mode,Aperture	Spectral Els.	Opt. Params.	Special Reqs.	Groups	Exp. Time (Total)/[Actual Dur.]	Orbit																																				
1	ACQ/IMAG E (1929660)	(5) PQSJ170025.18-724044.7	COS/NUV, ACQ/IMAGE, PSA	MIRRORB				50 Secs (50 Secs) [==>]	[1]																																				
2	G130M/FPP OS3 (1902304)	(5) PQSJ170025.18-724044.7	COS/FUV, TIME-TAG, PSA	G130M 1291 A	FP-POS=3; BUFFER-TIME=34 70			2391 Secs (2391 Secs) [==>]	[1]																																				
3	G130M/FPP OS4 (1902304)	(5) PQSJ170025.18-724044.7	COS/FUV, TIME-TAG, PSA	G130M 1291 A	FP-POS=4; BUFFER-TIME=34 70			2740 Secs (2740 Secs) [==>]	[2]																																				



Proposal 17757 - Object5-Visit3-PQSJ170025 (10) - Probing the front-side of the Circumgalactic Medium of the Large Magellanic Cloud

Visit	Proposal 17757, Object5-Visit3-PQSJ170025 (10), completed Wed Jan 14 17:01:05 GMT 2026																																																							
	Diagnostic Status: Warning Scientific Instruments: COS/FUV, COS/NUV Special Requirements: (none)																																																							
Diagnostics	(Object5-Visit3-PQSJ170025 (10)) Warning (Form): For the best data quality, it is generally required to use all four FP-POS positions at a given COS cenwave (or 2 positions for certain exception cases). See extended explanation in the diagnostic browser.																																																							
	(Object5-Visit3-PQSJ170025 (10)) Warning (Orbit Planner): ORBITAL VISIBILITY OVERRUN																																																							
	(Object5-Visit3-PQSJ170025 (10)) Warning (Orbit Planner): ORBITAL VISIBILITY OVERRUN																																																							
	(Object5-Visit3-PQSJ170025 (10)) Warning (Orbit Planner): ORBITAL VISIBILITY OVERRUN																																																							
Fixed Targets	<table border="1"> <thead> <tr> <th>#</th> <th>Name</th> <th>Target Coordinates</th> <th>Targ. Coord. Corrections</th> <th>Fluxes</th> <th>Miscellaneous</th> </tr> </thead> <tbody> <tr> <td>(5)</td> <td>PQSJ170025.18-724044.7</td> <td>RA: 17 00 25.1885 (255.1049521d) Dec: -72 40 44.79 (-72.67911d) Equinox: J2000</td> <td>Epoch of Position: 2000 Redshift: 0.104740</td> <td>V=18.08 17.77 FUV-mag</td> <td>Reference Frame: ICRS</td> </tr> </tbody> </table>	#	Name	Target Coordinates	Targ. Coord. Corrections	Fluxes	Miscellaneous	(5)	PQSJ170025.18-724044.7	RA: 17 00 25.1885 (255.1049521d) Dec: -72 40 44.79 (-72.67911d) Equinox: J2000	Epoch of Position: 2000 Redshift: 0.104740	V=18.08 17.77 FUV-mag	Reference Frame: ICRS	Comments: This object was generated by the targetselector and retrieved from the GALEX database. We do not have V-mag info. 18.08 is the Johnson's B-band magnitude. Category=ISM Description=[ABSORPTION LINE SYSTEM, ABSORPTION LINE SYSTEM - EXTRAGALACTIC, ABSORPTION LINE SYSTEM - GALACTIC, CORONA, CORONAL GAS] Extended=NO																																										
	#	Name	Target Coordinates	Targ. Coord. Corrections	Fluxes	Miscellaneous																																																		
(5)	PQSJ170025.18-724044.7	RA: 17 00 25.1885 (255.1049521d) Dec: -72 40 44.79 (-72.67911d) Equinox: J2000	Epoch of Position: 2000 Redshift: 0.104740	V=18.08 17.77 FUV-mag	Reference Frame: ICRS																																																			
Exposures	<table border="1"> <thead> <tr> <th>#</th> <th>Label (ETC Run)</th> <th>Target</th> <th>Config,Mode,Aperture</th> <th>Spectral Els.</th> <th>Opt. Params.</th> <th>Special Reqs.</th> <th>Groups</th> <th>Exp. Time (Total)/[Actual Dur.]</th> <th>Orbit</th> </tr> </thead> <tbody> <tr> <td>1</td> <td>ACQ/IMAG E (1929660)</td> <td>(5) PQSJ170025.18-724044.7</td> <td>COS/NUV, ACQ/IMAGE, PSA</td> <td>MIRRORB</td> <td></td> <td></td> <td></td> <td>50 Secs (50 Secs) [==>]</td> <td>[1]</td> </tr> <tr> <td>2</td> <td>G160M/FPP OS1 (1902305)</td> <td>(5) PQSJ170025.18-724044.7</td> <td>COS/FUV, TIME-TAG, PSA</td> <td>G160M 1577 A</td> <td>FP-POS=1; BUFFER-TIME=84 72</td> <td></td> <td></td> <td>2229 Secs (2229 Secs) [==>]</td> <td>[1]</td> </tr> <tr> <td>3</td> <td>G160M/FPP OS2 (1902305)</td> <td>(5) PQSJ170025.18-724044.7</td> <td>COS/FUV, TIME-TAG, PSA</td> <td>G160M 1577 A</td> <td>FP-POS=2; BUFFER-TIME=84 72</td> <td></td> <td></td> <td>2744 Secs (2744 Secs) [==>]</td> <td>[2]</td> </tr> <tr> <td>4</td> <td>G160M/FPP OS3 (1902305)</td> <td>(5) PQSJ170025.18-724044.7</td> <td>COS/FUV, TIME-TAG, PSA</td> <td>G160M 1577 A</td> <td>FP-POS=3; BUFFER-TIME=84 72</td> <td></td> <td></td> <td>2744 Secs (2744 Secs) [==>]</td> <td>[3]</td> </tr> </tbody> </table>	#	Label (ETC Run)	Target	Config,Mode,Aperture	Spectral Els.	Opt. Params.	Special Reqs.	Groups	Exp. Time (Total)/[Actual Dur.]	Orbit	1	ACQ/IMAG E (1929660)	(5) PQSJ170025.18-724044.7	COS/NUV, ACQ/IMAGE, PSA	MIRRORB				50 Secs (50 Secs) [==>]	[1]	2	G160M/FPP OS1 (1902305)	(5) PQSJ170025.18-724044.7	COS/FUV, TIME-TAG, PSA	G160M 1577 A	FP-POS=1; BUFFER-TIME=84 72			2229 Secs (2229 Secs) [==>]	[1]	3	G160M/FPP OS2 (1902305)	(5) PQSJ170025.18-724044.7	COS/FUV, TIME-TAG, PSA	G160M 1577 A	FP-POS=2; BUFFER-TIME=84 72			2744 Secs (2744 Secs) [==>]	[2]	4	G160M/FPP OS3 (1902305)	(5) PQSJ170025.18-724044.7	COS/FUV, TIME-TAG, PSA	G160M 1577 A	FP-POS=3; BUFFER-TIME=84 72			2744 Secs (2744 Secs) [==>]	[3]					
	#	Label (ETC Run)	Target	Config,Mode,Aperture	Spectral Els.	Opt. Params.	Special Reqs.	Groups	Exp. Time (Total)/[Actual Dur.]	Orbit																																														
	1	ACQ/IMAG E (1929660)	(5) PQSJ170025.18-724044.7	COS/NUV, ACQ/IMAGE, PSA	MIRRORB				50 Secs (50 Secs) [==>]	[1]																																														
	2	G160M/FPP OS1 (1902305)	(5) PQSJ170025.18-724044.7	COS/FUV, TIME-TAG, PSA	G160M 1577 A	FP-POS=1; BUFFER-TIME=84 72			2229 Secs (2229 Secs) [==>]	[1]																																														
	3	G160M/FPP OS2 (1902305)	(5) PQSJ170025.18-724044.7	COS/FUV, TIME-TAG, PSA	G160M 1577 A	FP-POS=2; BUFFER-TIME=84 72			2744 Secs (2744 Secs) [==>]	[2]																																														
4	G160M/FPP OS3 (1902305)	(5) PQSJ170025.18-724044.7	COS/FUV, TIME-TAG, PSA	G160M 1577 A	FP-POS=3; BUFFER-TIME=84 72			2744 Secs (2744 Secs) [==>]	[3]																																															





Proposal 17757 - Object5-Visit4-PQSJ170025 (11) - Probing the front-side of the Circumgalactic Medium of the Large Magellanic Cloud

Visit	Proposal 17757, Object5-Visit4-PQSJ170025 (11), completed Wed Jan 14 17:01:05 GMT 2026																																																																										
	Diagnostic Status: Warning Scientific Instruments: COS/FUV, COS/NUV Special Requirements: (none)																																																																										
Diagnostics	(Object5-Visit4-PQSJ170025 (11)) Warning (Orbit Planner): ORBITAL VISIBILITY OVERRUN (Object5-Visit4-PQSJ170025 (11)) Warning (Orbit Planner): ORBITAL VISIBILITY OVERRUN (Object5-Visit4-PQSJ170025 (11)) Warning (Orbit Planner): ORBITAL VISIBILITY OVERRUN																																																																										
	(Object5-Visit4-PQSJ170025 (11)) Warning (Orbit Planner): ORBITAL VISIBILITY OVERRUN																																																																										
Fixed Targets	<table border="1"> <thead> <tr> <th>#</th> <th>Name</th> <th>Target Coordinates</th> <th>Targ. Coord. Corrections</th> <th>Fluxes</th> <th>Miscellaneous</th> </tr> </thead> <tbody> <tr> <td>(5)</td> <td>PQSJ170025.18-724044.7</td> <td>RA: 17 00 25.1885 (255.1049521d) Dec: -72 40 44.79 (-72.67911d) Equinox: J2000</td> <td>Epoch of Position: 2000 Redshift: 0.104740</td> <td>V=18.08 17.77 FUV-mag</td> <td>Reference Frame: ICRS</td> </tr> </tbody> </table>	#	Name	Target Coordinates	Targ. Coord. Corrections	Fluxes	Miscellaneous	(5)	PQSJ170025.18-724044.7	RA: 17 00 25.1885 (255.1049521d) Dec: -72 40 44.79 (-72.67911d) Equinox: J2000	Epoch of Position: 2000 Redshift: 0.104740	V=18.08 17.77 FUV-mag	Reference Frame: ICRS	Comments: This object was generated by the targetselector and retrieved from the GALEX database. We do not have V-mag info. 18.08 is the Johnson's B-band magnitude. Category=ISM Description=[ABSORPTION LINE SYSTEM, ABSORPTION LINE SYSTEM - EXTRAGALACTIC, ABSORPTION LINE SYSTEM - GALACTIC, CORONA, CORONAL GAS] Extended=NO																																																													
	#	Name	Target Coordinates	Targ. Coord. Corrections	Fluxes	Miscellaneous																																																																					
(5)	PQSJ170025.18-724044.7	RA: 17 00 25.1885 (255.1049521d) Dec: -72 40 44.79 (-72.67911d) Equinox: J2000	Epoch of Position: 2000 Redshift: 0.104740	V=18.08 17.77 FUV-mag	Reference Frame: ICRS																																																																						
<table border="1"> <thead> <tr> <th>#</th> <th>Label (ETC Run)</th> <th>Target</th> <th>Config,Mode,Aperture</th> <th>Spectral Els.</th> <th>Opt. Params.</th> <th>Special Reqs.</th> <th>Groups</th> <th>Exp. Time (Total)/[Actual Dur.]</th> <th>Orbit</th> </tr> </thead> <tbody> <tr> <td>1</td> <td>ACQ/IMAG E (1929660)</td> <td>(5) PQSJ170025.18-724044.7</td> <td>COS/NUV, ACQ/IMAGE, PSA</td> <td>MIRRORB</td> <td></td> <td></td> <td></td> <td>50 Secs (50 Secs) [==>]</td> <td>[1]</td> </tr> <tr> <td>2</td> <td>G160M/FPP OS1 (1902305)</td> <td>(5) PQSJ170025.18-724044.7</td> <td>COS/FUV, TIME-TAG, PSA</td> <td>G160M 1577 A</td> <td>FP-POS=1; BUFFER-TIME=84 72</td> <td></td> <td></td> <td>940 Secs (940 Secs) [==>]</td> <td>[1]</td> </tr> <tr> <td>3</td> <td>G160M/FPP OS2 (1902305)</td> <td>(5) PQSJ170025.18-724044.7</td> <td>COS/FUV, TIME-TAG, PSA</td> <td>G160M 1577 A</td> <td>FP-POS=2; BUFFER-TIME=84 72</td> <td></td> <td></td> <td>947 Secs (947 Secs) [==>]</td> <td>[1]</td> </tr> <tr> <td>4</td> <td>G160M/FPP OS3 (1902305)</td> <td>(5) PQSJ170025.18-724044.7</td> <td>COS/FUV, TIME-TAG, PSA</td> <td>G160M 1577 A</td> <td>FP-POS=3; BUFFER-TIME=84 72</td> <td></td> <td></td> <td>1196 Secs (1196 Secs) [==>]</td> <td>[2]</td> </tr> <tr> <td>5</td> <td>G160M/FPP OS4 (1902305)</td> <td>(5) PQSJ170025.18-724044.7</td> <td>COS/FUV, TIME-TAG, PSA</td> <td>G160M 1577 A</td> <td>FP-POS=4; BUFFER-TIME=84 72</td> <td></td> <td></td> <td>1196 Secs (1196 Secs) [==>]</td> <td>[2]</td> </tr> <tr> <td>6</td> <td>G160M/FPP OS4 (1902305)</td> <td>(5) PQSJ170025.18-724044.7</td> <td>COS/FUV, TIME-TAG, PSA</td> <td>G160M 1577 A</td> <td>FP-POS=4; BUFFER-TIME=84 72</td> <td></td> <td></td> <td>2744 Secs (2744 Secs) [==>]</td> <td>[3]</td> </tr> </tbody> </table>						#	Label (ETC Run)	Target	Config,Mode,Aperture	Spectral Els.	Opt. Params.	Special Reqs.	Groups	Exp. Time (Total)/[Actual Dur.]	Orbit	1	ACQ/IMAG E (1929660)	(5) PQSJ170025.18-724044.7	COS/NUV, ACQ/IMAGE, PSA	MIRRORB				50 Secs (50 Secs) [==>]	[1]	2	G160M/FPP OS1 (1902305)	(5) PQSJ170025.18-724044.7	COS/FUV, TIME-TAG, PSA	G160M 1577 A	FP-POS=1; BUFFER-TIME=84 72			940 Secs (940 Secs) [==>]	[1]	3	G160M/FPP OS2 (1902305)	(5) PQSJ170025.18-724044.7	COS/FUV, TIME-TAG, PSA	G160M 1577 A	FP-POS=2; BUFFER-TIME=84 72			947 Secs (947 Secs) [==>]	[1]	4	G160M/FPP OS3 (1902305)	(5) PQSJ170025.18-724044.7	COS/FUV, TIME-TAG, PSA	G160M 1577 A	FP-POS=3; BUFFER-TIME=84 72			1196 Secs (1196 Secs) [==>]	[2]	5	G160M/FPP OS4 (1902305)	(5) PQSJ170025.18-724044.7	COS/FUV, TIME-TAG, PSA	G160M 1577 A	FP-POS=4; BUFFER-TIME=84 72			1196 Secs (1196 Secs) [==>]	[2]	6	G160M/FPP OS4 (1902305)	(5) PQSJ170025.18-724044.7	COS/FUV, TIME-TAG, PSA	G160M 1577 A	FP-POS=4; BUFFER-TIME=84 72			2744 Secs (2744 Secs) [==>]	[3]
#	Label (ETC Run)	Target	Config,Mode,Aperture	Spectral Els.	Opt. Params.	Special Reqs.	Groups	Exp. Time (Total)/[Actual Dur.]	Orbit																																																																		
1	ACQ/IMAG E (1929660)	(5) PQSJ170025.18-724044.7	COS/NUV, ACQ/IMAGE, PSA	MIRRORB				50 Secs (50 Secs) [==>]	[1]																																																																		
2	G160M/FPP OS1 (1902305)	(5) PQSJ170025.18-724044.7	COS/FUV, TIME-TAG, PSA	G160M 1577 A	FP-POS=1; BUFFER-TIME=84 72			940 Secs (940 Secs) [==>]	[1]																																																																		
3	G160M/FPP OS2 (1902305)	(5) PQSJ170025.18-724044.7	COS/FUV, TIME-TAG, PSA	G160M 1577 A	FP-POS=2; BUFFER-TIME=84 72			947 Secs (947 Secs) [==>]	[1]																																																																		
4	G160M/FPP OS3 (1902305)	(5) PQSJ170025.18-724044.7	COS/FUV, TIME-TAG, PSA	G160M 1577 A	FP-POS=3; BUFFER-TIME=84 72			1196 Secs (1196 Secs) [==>]	[2]																																																																		
5	G160M/FPP OS4 (1902305)	(5) PQSJ170025.18-724044.7	COS/FUV, TIME-TAG, PSA	G160M 1577 A	FP-POS=4; BUFFER-TIME=84 72			1196 Secs (1196 Secs) [==>]	[2]																																																																		
6	G160M/FPP OS4 (1902305)	(5) PQSJ170025.18-724044.7	COS/FUV, TIME-TAG, PSA	G160M 1577 A	FP-POS=4; BUFFER-TIME=84 72			2744 Secs (2744 Secs) [==>]	[3]																																																																		

