



17924 - TREASURETROVE: Tracing the Growth of SMBHs and Spheroids through Variability and Transients in the JWST NEP Time Domain Field

Cycle: 32, Proposal Category: GO

(Availability Mode: AVAILABLE)

INVESTIGATORS

<i>Name</i>	<i>Institution</i>
Dr. Brent M Smith (PI) (Contact)	Arizona State University
Dr. Rolf A. Jansen (CoI) (CoPI) (Contact)	Arizona State University
Dr. Norman Grogin (CoI) (Contact)	Space Telescope Science Institute
Dr. Lifan Wang (CoI)	Texas A & M University
Rosalia O'Brien (CoI)	Arizona State University
Dr. Seth H. Cohen (CoI)	Arizona State University
Dr. Anton M. Koekemoer (CoI) (Contact)	Space Telescope Science Institute
Dr. Christopher Nicholas Andrew Willmer (CoI)	University of Arizona
Dr. Nimish P. Hathi (CoI)	Space Telescope Science Institute
Prof. Matthew James Hayes (CoI) (ESA Member)	Stockholm University
Prof. Christopher Conselice (CoI) (ESA Member)	University of Manchester
Dr. Steven P. Willner (CoI)	Smithsonian Institution Astrophysical Observatory
Dr. Justin Pierel (CoI)	Space Telescope Science Institute
Mr. Rafael Ortiz III (CoI)	Arizona State University
Dr. Patrick S. Kamienieski (CoI)	Arizona State University
Prof. Brenda Louise Frye (CoI)	University of Arizona
Prof. Rogier A. Windhorst (CoI)	Arizona State University
Dr. Xiurui Zhao (CoI)	University of Illinois at Urbana - Champaign
Dr. Walter Peter Maksym III (CoI)	NASA Marshall Space Flight Center

VISITS

<i>Visit</i>	<i>Targets used in Visit</i>	<i>Configurations used in Visit</i>	<i>Orbits Used</i>	<i>Last Orbit Planner Run</i>	<i>OP Current with Visit?</i>
01	(25) JWST-NEP-TDF ANY	ACS/WFC WFC3/UVIS	5	18-Sep-2025 11:03:15.0	yes
1A	(25) JWST-NEP-TDF ANY	ACS/WFC WFC3/UVIS	2	18-Sep-2025 11:03:17.0	yes
1B	(25) JWST-NEP-TDF ANY	ACS/WFC WFC3/UVIS	2	18-Sep-2025 11:03:18.0	yes
1C	(25) JWST-NEP-TDF ANY	ACS/WFC WFC3/UVIS	2	18-Sep-2025 11:03:18.0	yes
1D	(25) JWST-NEP-TDF ANY	ACS/WFC WFC3/UVIS	1	18-Sep-2025 11:03:19.0	yes
02	(25) JWST-NEP-TDF ANY	ACS/WFC WFC3/UVIS	5	18-Sep-2025 11:03:22.0	yes
2A	(25) JWST-NEP-TDF ANY	ACS/WFC WFC3/UVIS	2	18-Sep-2025 11:03:23.0	yes
2B	(25) JWST-NEP-TDF ANY	ACS/WFC WFC3/UVIS	2	18-Sep-2025 11:03:24.0	yes
2C	(25) JWST-NEP-TDF ANY	ACS/WFC WFC3/UVIS	2	18-Sep-2025 11:03:25.0	yes
2D	(25) JWST-NEP-TDF ANY	ACS/WFC WFC3/UVIS	1	18-Sep-2025 11:03:25.0	yes
03	(26) JWST-NEP-TDF-ORI166-1 (27) JWST-NEP-TDF-ORI166-2 (28) JWST-NEP-TDF-ORI166-3 (29) JWST-NEP-TDF-ORI166-4 ANY	ACS/WFC WFC3/UVIS	5	18-Sep-2025 11:03:27.0	yes
3A	(26) JWST-NEP-TDF-ORI166-1 ANY	ACS/WFC WFC3/UVIS	2	18-Sep-2025 11:03:29.0	yes

Proposal 17924 (STScI Edit Number: 12, Created: Thursday, September 18, 2025, 10:03:49AM Eastern Standard Time) - Overview

<i>Visit</i>	<i>Targets used in Visit</i>	<i>Configurations used in Visit</i>	<i>Orbits Used</i>	<i>Last Orbit Planner Run</i>	<i>OP Current with Visit?</i>
3B	(27) JWST-NEP-TDF-ORI166-2 ANY	ACS/WFC WFC3/UVIS	2	18-Sep-2025 11:03:29.0	yes
3C	(28) JWST-NEP-TDF-ORI166-3 ANY	ACS/WFC WFC3/UVIS	2	18-Sep-2025 11:03:30.0	yes
30	(28) JWST-NEP-TDF-ORI166-3 ANY	ACS/WFC WFC3/UVIS	2	18-Sep-2025 11:03:31.0	yes
3D	(29) JWST-NEP-TDF-ORI166-4 ANY	ACS/WFC WFC3/UVIS	1	18-Sep-2025 11:03:32.0	yes
04	(25) JWST-NEP-TDF ANY	ACS/WFC WFC3/UVIS	5	18-Sep-2025 11:03:34.0	yes
4A	(25) JWST-NEP-TDF ANY	ACS/WFC WFC3/UVIS	2	18-Sep-2025 11:03:35.0	yes
4B	(25) JWST-NEP-TDF ANY	ACS/WFC WFC3/UVIS	2	18-Sep-2025 11:03:36.0	yes
4C	(25) JWST-NEP-TDF ANY	ACS/WFC WFC3/UVIS	2	18-Sep-2025 11:03:36.0	yes
4D	(25) JWST-NEP-TDF ANY	ACS/WFC WFC3/UVIS	1	18-Sep-2025 11:03:37.0	yes
05	(25) JWST-NEP-TDF ANY	ACS/WFC WFC3/UVIS	5	18-Sep-2025 11:03:39.0	yes
5A	(25) JWST-NEP-TDF ANY	ACS/WFC WFC3/UVIS	2	18-Sep-2025 11:03:41.0	yes
5B	(25) JWST-NEP-TDF ANY	ACS/WFC WFC3/UVIS	2	18-Sep-2025 11:03:41.0	yes
5C	(25) JWST-NEP-TDF ANY	ACS/WFC WFC3/UVIS	2	18-Sep-2025 11:03:42.0	yes
5D	(25) JWST-NEP-TDF ANY	ACS/WFC WFC3/UVIS	1	18-Sep-2025 11:03:43.0	yes

<i>Visit</i>	<i>Targets used in Visit</i>	<i>Configurations used in Visit</i>	<i>Orbits Used</i>	<i>Last Orbit Planner Run</i>	<i>OP Current with Visit?</i>
06	(25) JWST-NEP-TDF ANY	ACS/WFC WFC3/UVIS	5	18-Sep-2025 11:03:45.0	yes
6A	(25) JWST-NEP-TDF ANY	ACS/WFC WFC3/UVIS	2	18-Sep-2025 11:03:46.0	yes
6B	(25) JWST-NEP-TDF ANY	ACS/WFC WFC3/UVIS	2	18-Sep-2025 11:03:47.0	yes
6C	(25) JWST-NEP-TDF ANY	ACS/WFC WFC3/UVIS	2	18-Sep-2025 11:03:48.0	yes
6D	(25) JWST-NEP-TDF ANY	ACS/WFC WFC3/UVIS	1	18-Sep-2025 11:03:48.0	yes

74 Total Orbits Used

ABSTRACT

We propose F606W monitoring to $m_{AB} < 28$ mag of the JWST NEP Time Domain Field (TDF), an area of ~ 190 arcmin², with 1--5 additional epochs (depending on location within the field) to identify faint AGN through their variability on timescales of months through ~ 10 years and transients such as high- z SNe. F606W corresponds to rest-frame UV at redshifts $1 < z < 6$, where the contrast of AGN variability and the host galaxy is greatest. Variability can augment the census of AGN that are missed by other techniques and allow tracing the buildup of SMBHs and the spheroids of their hosts. SNe trace the build-up of stellar mass and provide distances.

The NEP TDF was designed for monitoring. It has deep ancillary data from X-ray to radio, including ACS/WFC F606W+F435W imaging to $m_{AB} \sim 29$ mag, WFC3/UVIS F275W, and partial coverage by JWST NIRCcam (0.8--5 μ m). The prior HST images yielded 12 transients and 110 variable candidates in areas of overlap, and the combined data enable comprehensive study of host-galaxy SEDs. Future time-domain monitoring requires a careful cross-calibration of faint galaxy photometry between ACS/WFC and WFC3/UVIS.

TREASURETROVE's main science goals are:

- (1) Discover/confirm ~ 600 AGN via variability and ~ 30 new SNe, using the efficient areal coverage and cadence that is possible only with ACS + WFC3 in parallel;
- (2) Trace SMBH/spheroid mass buildup from $z < 6.5$ via structure functions and star-formation mass buildup via SNe rates from $z < 3$.
- (3) Provide a census of low-luminosity AGN varying by > 0.2 mag to $m_{AB} < 27.5$.

(4) Cross-calibrate faint-galaxy photometry between ACS/WFC and WFC3/UVIS in F606W to enable >10 year time-domain studies when ACS/WFC is turned off.

OBSERVING DESCRIPTION

This Bridge program was allocated 24 primary plus 24 parallel orbits in Cycle 32, and aims to cover nearly the entire JWST NEP Time Domain Field with both ACS/WFC and WFC3/UVIS in F606W. We specify six epochs at orientations matched to (pseudo)CVZ opportunities, during each of which we define 2 x 2 pointings (1 orbit/pointing) with ACS/WFC at the same orient and each with suitably chosen POS_TARG offsets, while taking WFC3/UVIS images in parallel at corresponding offset positions within the target field. The pattern of observations rotates around the field center in the course of the ~10 months duration of the program, providing the spatial overlap of the two cameras in their equivalent F606W filters that allows detailed cross-calibration of faint galaxy photometry with the two instruments. The overlap with extant ACS/WFC F606W observations at a given location with the target field provides between 1 and 5 new epochs of time-domain sampling to validate known variable candidates (O'Brien et al. 2024), and to identify new transients and variable sources, and characterize each using their light curve and (extant) color information. The final detailed layout takes into account the availability of suitable guide stars for each visit. (Pseudo)CVZ orbits are needed to reach our target depth while limiting our request per pointing to 1 orbit, yet ensure a sufficient number of individual exposures and dithers to robustly reject CR induced signal and detector defects and sample the PSF.

Proposal 17924 - TT-ORI278 (01) - TREASUREROVE: Tracing the Growth of SMBHs and Spheroids through Variability and Transie...

#	Label	Target	Config,Mode,Aperture	Spectral Els.	Opt. Params.	Special Reqs.	Groups	Exp. Time (Total)/[Actual Dur.]	Orbit
Exposures	1	(25) JWST-NEP-TD F	ACS/WFC, ACCUM, WFC	F606W		POS TARG -96.026 15059196609,135.26 182579648736	Sequence 1-8 Non-Int in TT-ORI278 (01) Prime + Parallel Group 1-2 in Sequence 1-8 Non-Int in TT-ORI278 (01)	1140 Secs (1140 Secs) [==>]	[1]
	2	ANY	WFC3/UVIS, ACCUM, UVIS	F606W			Sequence 1-8 Non-Int in TT-ORI278 (01) Prime + Parallel Group 1-2 in Sequence 1-8 Non-Int in TT-ORI278 (01)	1230 Secs (1230 Secs) [==>]	[1]
	3	(25) JWST-NEP-TD F	ACS/WFC, ACCUM, WFC	F606W		POS TARG -95.926 15059196609,135.16 182579648736	Sequence 1-8 Non-Int in TT-ORI278 (01) Prime + Parallel Group 3-4 in Sequence 1-8 Non-Int in TT-ORI278 (01)	1155 Secs (1155 Secs) [==>]	[1]
	4	ANY	WFC3/UVIS, ACCUM, UVIS	F606W			Sequence 1-8 Non-Int in TT-ORI278 (01) Prime + Parallel Group 3-4 in Sequence 1-8 Non-Int in TT-ORI278 (01)	1165 Secs (1165 Secs) [==>]	[1]
	5	(25) JWST-NEP-TD F	ACS/WFC, ACCUM, WFC	F606W		POS TARG -96.026 15059196609,135.06 182579648736	Sequence 1-8 Non-Int in TT-ORI278 (01) Prime + Parallel Group 5-6 in Sequence 1-8 Non-Int in TT-ORI278 (01)	1155 Secs (1155 Secs) [==>]	[1]
	6	ANY	WFC3/UVIS, ACCUM, UVIS	F606W			Sequence 1-8 Non-Int in TT-ORI278 (01) Prime + Parallel Group 5-6 in Sequence 1-8 Non-Int in TT-ORI278 (01)	1165 Secs (1165 Secs) [==>]	[1]
	7	(25) JWST-NEP-TD F	ACS/WFC, ACCUM, WFC	F606W		POS TARG -96.126 15059196609,135.16 182579648736	Sequence 1-8 Non-Int in TT-ORI278 (01) Prime + Parallel Group 7-8 in Sequence 1-8 Non-Int in TT-ORI278 (01)	1155 Secs (1155 Secs) [==>]	[1]
	8	ANY	WFC3/UVIS, ACCUM, UVIS	F606W			Sequence 1-8 Non-Int in TT-ORI278 (01) Prime + Parallel Group 7-8 in Sequence 1-8 Non-Int in TT-ORI278 (01)	1165 Secs (1165 Secs) [==>]	[1]
	9	(25) JWST-NEP-TD F	ACS/WFC, ACCUM, WFC	F606W		POS TARG 100.015 22320971621,150.66 838448094175	Sequence 9-16 Non-Int in TT-ORI278 (01) Prime + Parallel Group 9-10 in Sequence 9-16 Non-Int in TT-ORI278 (01)	1082 Secs (1082 Secs) [==>]	[2]

Proposal 17924 - TT-ORI278 (01) - TREASURETROVE: Tracing the Growth of SMBHs and Spheroids through Variability and Transie...

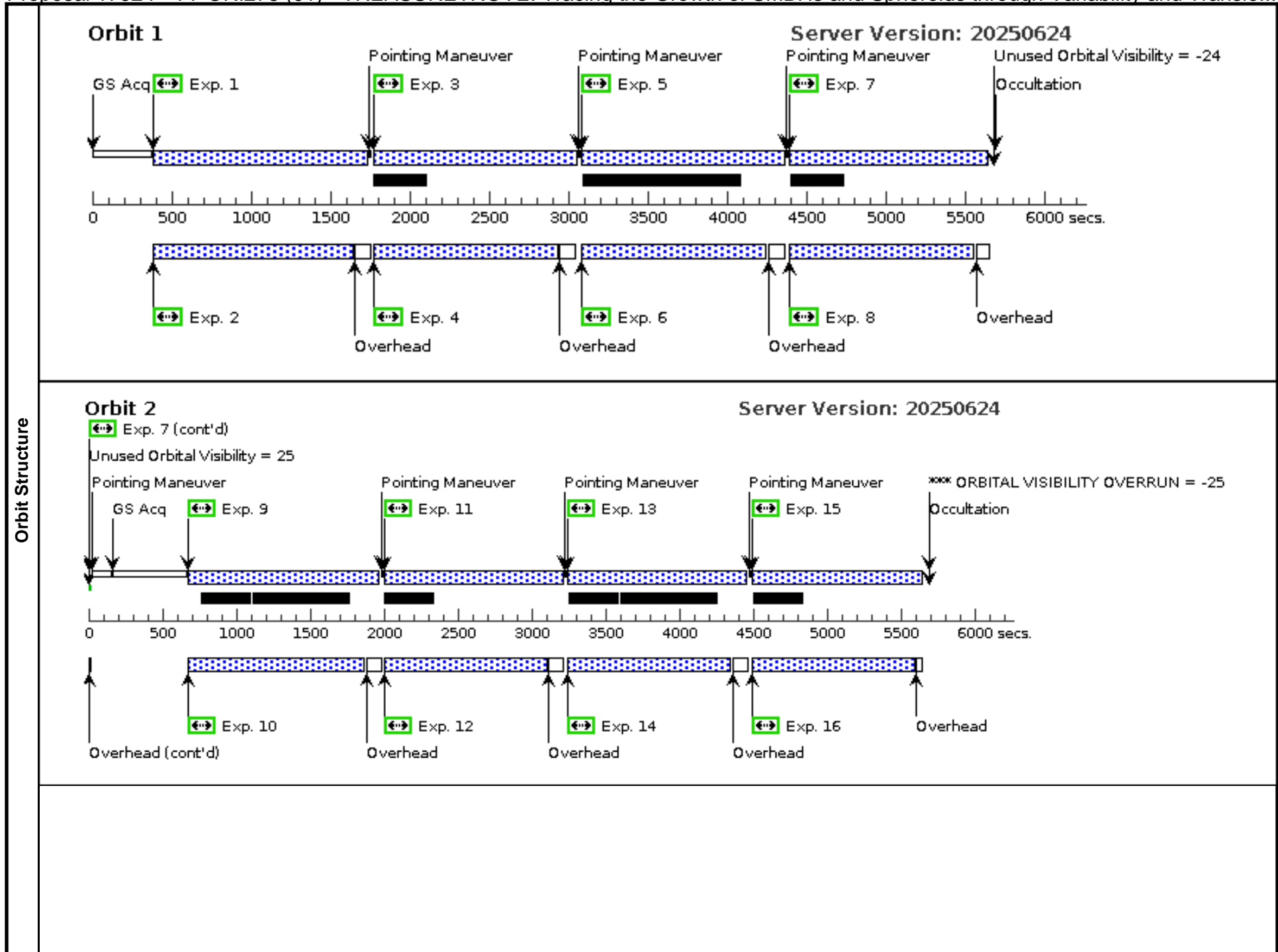
10	ANY	WFC3/UVIS, ACCUM, UVIS	F606W		Sequence 9-16 Non-Int in TT-ORI278 (01) Prime + Parallel Group 9-10 in Sequence 9-16 Non-Int in TT-ORI278 (01)	1162 Secs (1162 Secs) [==>]	[2]
11	(25) JWST-NEP-TD F	ACS/WFC, ACCUM, WFC	F606W	POS TARG 100.115 22320971621,150.56 838448094175	Sequence 9-16 Non-Int in TT-ORI278 (01) Prime + Parallel Group 11-12 in Sequence 9-16 Non-Int in TT-ORI278 (01)	1090 Secs (1090 Secs) [==>]	[2]
12	ANY	WFC3/UVIS, ACCUM, UVIS	F606W		Sequence 9-16 Non-Int in TT-ORI278 (01) Prime + Parallel Group 11-12 in Sequence 9-16 Non-Int in TT-ORI278 (01)	1100 Secs (1100 Secs) [==>]	[2]
13	(25) JWST-NEP-TD F	ACS/WFC, ACCUM, WFC	F606W	POS TARG 100.015 22320971621,150.46 838448094175	Sequence 9-16 Non-Int in TT-ORI278 (01) Prime + Parallel Group 13-14 in Sequence 9-16 Non-Int in TT-ORI278 (01)	1090 Secs (1090 Secs) [==>]	[2]
14	ANY	WFC3/UVIS, ACCUM, UVIS	F606W		Sequence 9-16 Non-Int in TT-ORI278 (01) Prime + Parallel Group 13-14 in Sequence 9-16 Non-Int in TT-ORI278 (01)	1100 Secs (1100 Secs) [==>]	[2]
15	(25) JWST-NEP-TD F	ACS/WFC, ACCUM, WFC	F606W	POS TARG 99.9152 2320971621,150.568 38448094175	Sequence 9-16 Non-Int in TT-ORI278 (01) Prime + Parallel Group 15-16 in Sequence 9-16 Non-Int in TT-ORI278 (01)	1090 Secs (1090 Secs) [==>]	[2]
16	ANY	WFC3/UVIS, ACCUM, UVIS	F606W		Sequence 9-16 Non-Int in TT-ORI278 (01) Prime + Parallel Group 15-16 in Sequence 9-16 Non-Int in TT-ORI278 (01)	1100 Secs (1100 Secs) [==>]	[2]
17	(25) JWST-NEP-TD F	ACS/WFC, ACCUM, WFC	F606W	POS TARG -97.770 97992193157,335.07 876252635194	Sequence 17-24 Non-Int in TT-ORI278 (01) Prime + Parallel Group 17-18 in Sequence 17-24 Non-Int in TT-ORI278 (01)	1074 Secs (1074 Secs) [==>]	[3]

Proposal 17924 - TT-ORI278 (01) - TREASURETROVE: Tracing the Growth of SMBHs and Spheroids through Variability and Transie...

18	ANY	WFC3/UVIS, ACCUM, UVIS	F606W		Sequence 17-24 Non-Int in TT-ORI278 (01) Prime + Parallel Group 17-18 in Sequence 17-24 Non-Int in TT-ORI278 (01)	1154 Secs (1154 Secs) [==>]	[3]
19	(25) JWST-NEP-TD F	ACS/WFC, ACCUM, WFC	F606W	POS TARG -97.670 97992193157,334.97 876252635194	Sequence 17-24 Non-Int in TT-ORI278 (01) Prime + Parallel Group 19-20 in Sequence 17-24 Non-Int in TT-ORI278 (01)	1090 Secs (1090 Secs) [==>]	[3]
20	ANY	WFC3/UVIS, ACCUM, UVIS	F606W		Sequence 17-24 Non-Int in TT-ORI278 (01) Prime + Parallel Group 19-20 in Sequence 17-24 Non-Int in TT-ORI278 (01)	1100 Secs (1100 Secs) [==>]	[3]
21	(25) JWST-NEP-TD F	ACS/WFC, ACCUM, WFC	F606W	POS TARG -97.770 97992193157,334.87 876252635194	Sequence 17-24 Non-Int in TT-ORI278 (01) Prime + Parallel Group 21-22 in Sequence 17-24 Non-Int in TT-ORI278 (01)	1090 Secs (1090 Secs) [==>]	[3]
22	ANY	WFC3/UVIS, ACCUM, UVIS	F606W		Sequence 17-24 Non-Int in TT-ORI278 (01) Prime + Parallel Group 21-22 in Sequence 17-24 Non-Int in TT-ORI278 (01)	1100 Secs (1100 Secs) [==>]	[3]
23	(25) JWST-NEP-TD F	ACS/WFC, ACCUM, WFC	F606W	POS TARG -97.870 97992193157,334.97 876252635194	Sequence 17-24 Non-Int in TT-ORI278 (01) Prime + Parallel Group 23-24 in Sequence 17-24 Non-Int in TT-ORI278 (01)	1090 Secs (1090 Secs) [==>]	[3]
24	ANY	WFC3/UVIS, ACCUM, UVIS	F606W		Sequence 17-24 Non-Int in TT-ORI278 (01) Prime + Parallel Group 23-24 in Sequence 17-24 Non-Int in TT-ORI278 (01)	1100 Secs (1100 Secs) [==>]	[3]
25	(25) JWST-NEP-TD F	ACS/WFC, ACCUM, WFC	F606W	POS TARG 98.2911 5936845639,350.477 83819723046	Sequence 25-32 Non-Int in TT-ORI278 (01) Prime + Parallel Group 25-26 in Sequence 25-32 Non-Int in TT-ORI278 (01)	854 Secs (854 Secs) [==>]	[4]

Proposal 17924 - TT-ORI278 (01) - TREASURETROVE: Tracing the Growth of SMBHs and Spheroids through Variability and Transie...

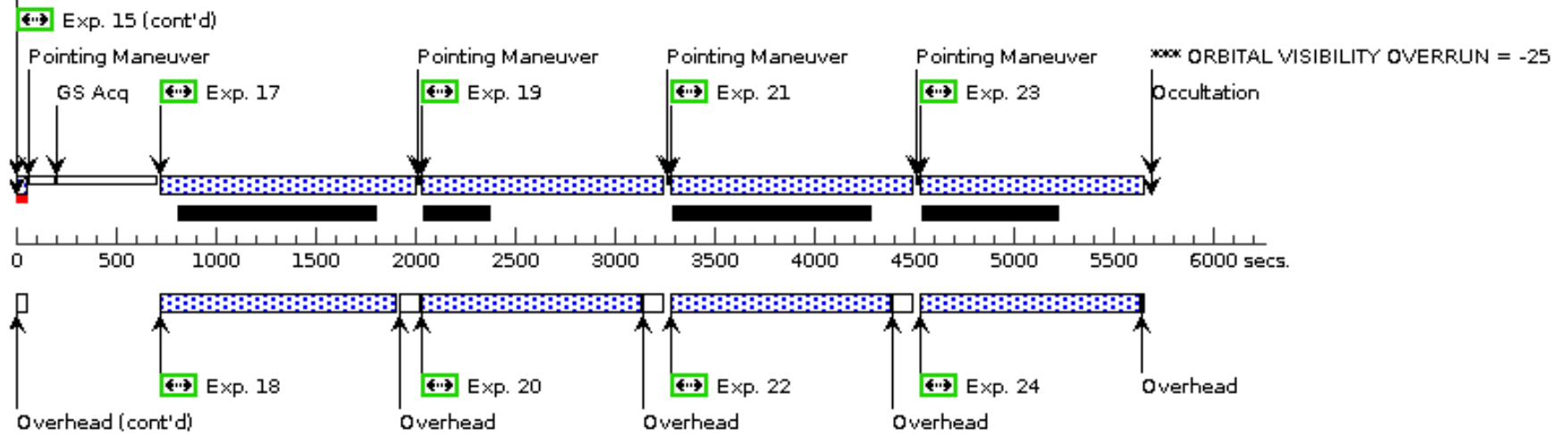
26	ANY	WFC3/UVIS, ACCUM, UVIS	F606W		Sequence 25-32 Non-Int in TT-ORI278 (01) Prime + Parallel Group 25-26 in Sequence 25-32 Non-Int in TT-ORI278 (01)	934 Secs (934 Secs) [==>]	[4]
27	(25) JWST-NEP-TD F	ACS/WFC, ACCUM, WFC	F606W	POS TARG 98.3911 5936845639,350.377 83819723046	Sequence 25-32 Non-Int in TT-ORI278 (01) Prime + Parallel Group 27-28 in Sequence 25-32 Non-Int in TT-ORI278 (01)	860 Secs (860 Secs) [==>]	[4]
28	ANY	WFC3/UVIS, ACCUM, UVIS	F606W		Sequence 25-32 Non-Int in TT-ORI278 (01) Prime + Parallel Group 27-28 in Sequence 25-32 Non-Int in TT-ORI278 (01)	870 Secs (870 Secs) [==>]	[4]
29	(25) JWST-NEP-TD F	ACS/WFC, ACCUM, WFC	F606W	POS TARG 98.2911 5936845639,350.277 83819723046	Sequence 25-32 Non-Int in TT-ORI278 (01) Prime + Parallel Group 29-30 in Sequence 25-32 Non-Int in TT-ORI278 (01)	860 Secs (860 Secs) [==>]	[4]
30	ANY	WFC3/UVIS, ACCUM, UVIS	F606W		Sequence 25-32 Non-Int in TT-ORI278 (01) Prime + Parallel Group 29-30 in Sequence 25-32 Non-Int in TT-ORI278 (01)	870 Secs (870 Secs) [==>]	[4]
31	(25) JWST-NEP-TD F	ACS/WFC, ACCUM, WFC	F606W	POS TARG 98.1911 5936845639,350.377 83819723046	Sequence 25-32 Non-Int in TT-ORI278 (01) Prime + Parallel Group 31-32 in Sequence 25-32 Non-Int in TT-ORI278 (01)	1081 Secs (1081 Secs) [==>]	[4]
32	ANY	WFC3/UVIS, ACCUM, UVIS	F606W		Sequence 25-32 Non-Int in TT-ORI278 (01) Prime + Parallel Group 31-32 in Sequence 25-32 Non-Int in TT-ORI278 (01)	1091 Secs (1091 Secs) [==>]	[4]



Orbit 3

Server Version: 20250624

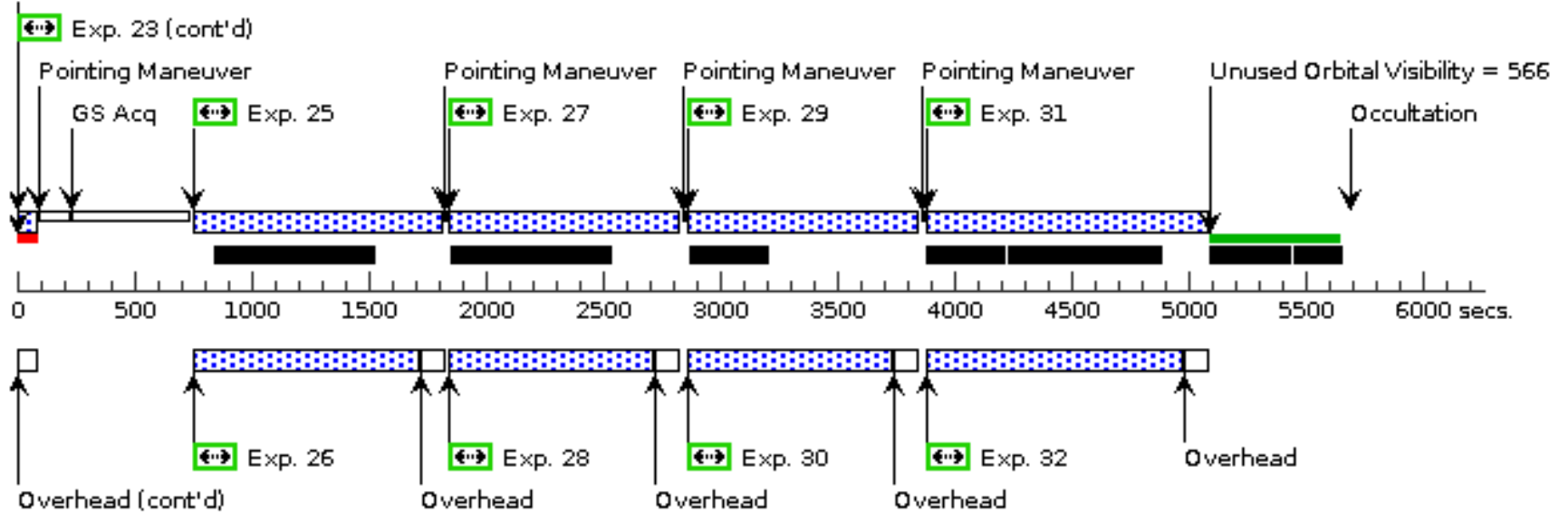
*** ORBITAL VISIBILITY OVERRUN = 60 (cont'd)

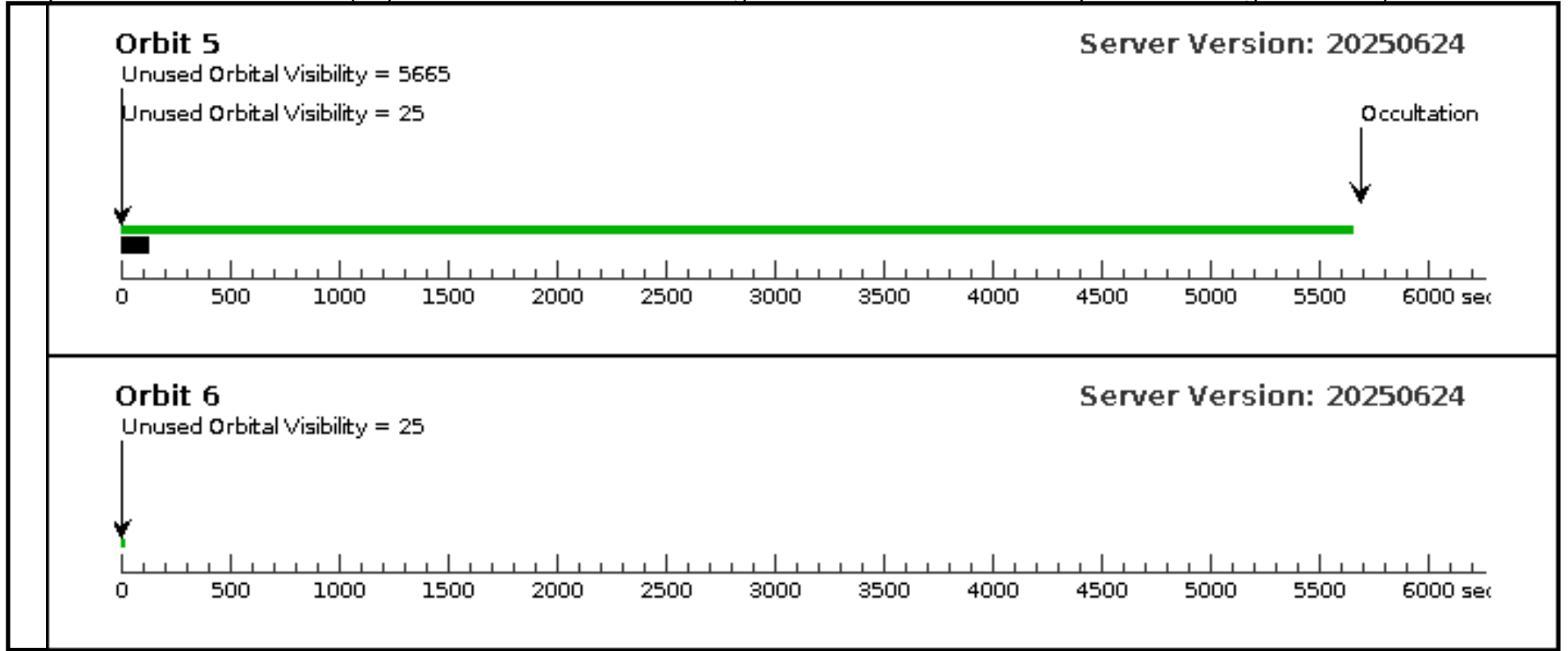


Orbit 4

Server Version: 20250624

*** ORBITAL VISIBILITY OVERRUN = 95 (cont'd)





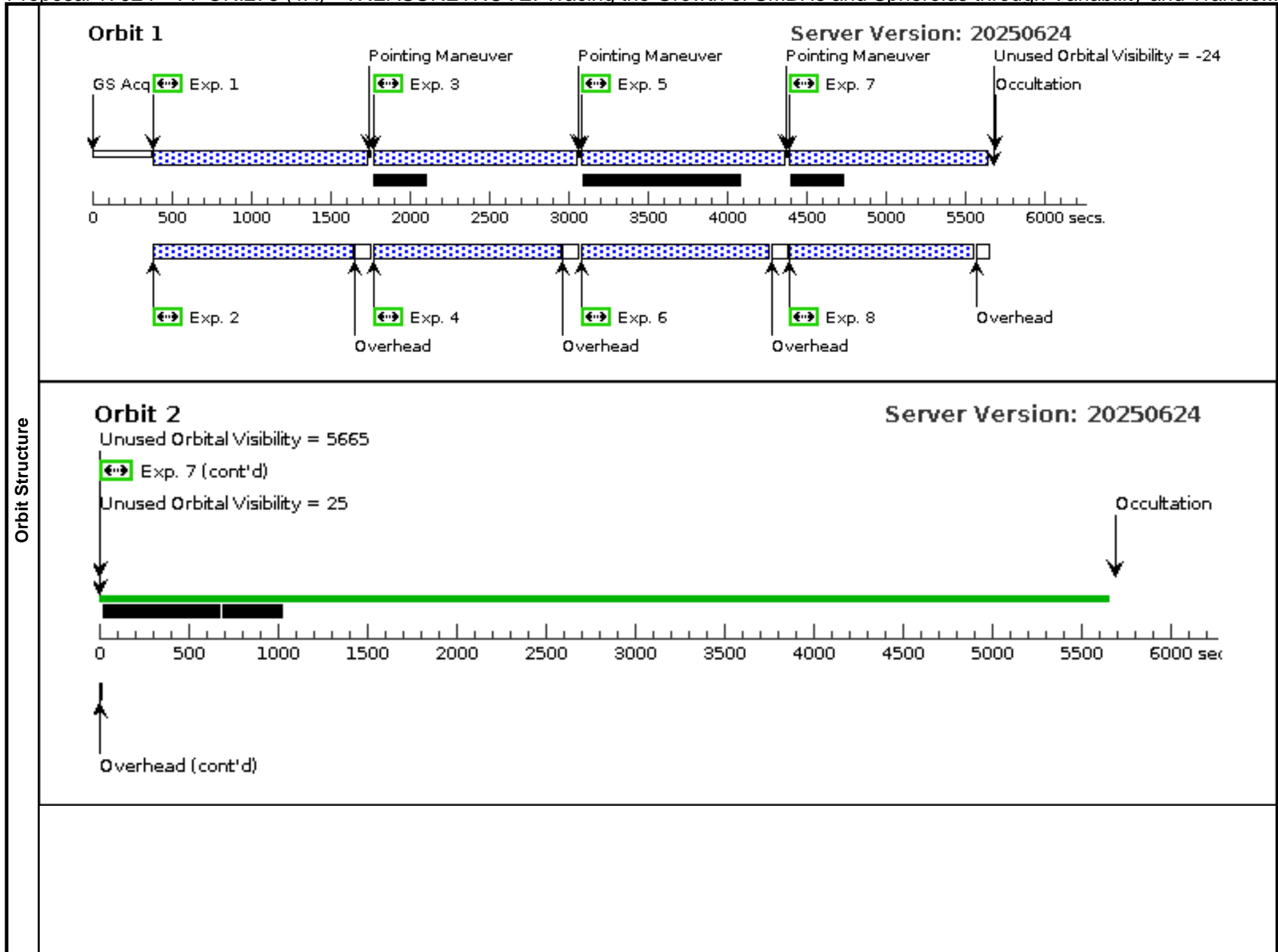
Proposal 17924 - TT-ORI278 (1A) - TREASURETROVE: Tracing the Growth of SMBHs and Spheroids through Variability and Transie...

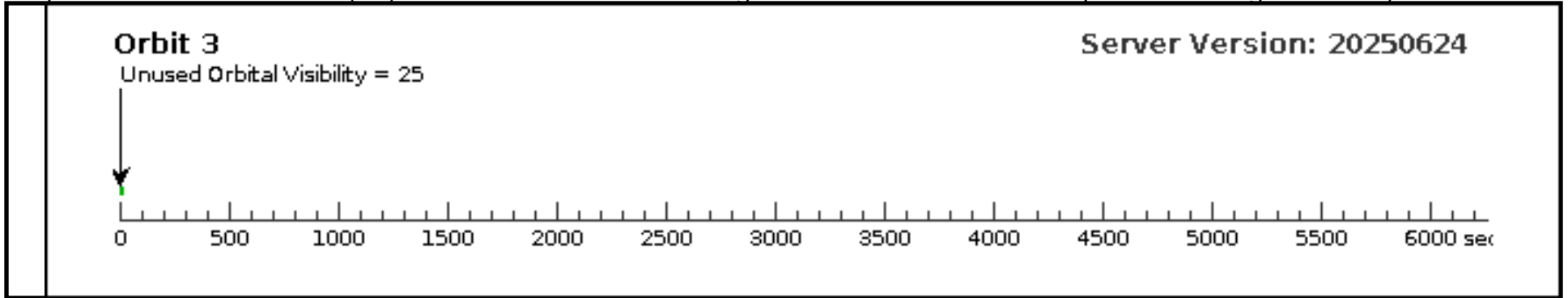
Thu Sep 18 15:03:49 GMT 2025

Visit	Proposal 17924, TT-ORI278 (1A), completed Diagnostic Status: Warning Scientific Instruments: WFC3/UVIS, ACS/WFC Special Requirements: BRIGHT EARTH AVOID 13.5D; ORIENT 278D TO 278 D; BETWEEN 15-FEB-2025:00:00:00 AND 15-APR-2025:00:00:00; VISIBILITY INTERVAL 5690 S																												
	(TT-ORI278 (1A)) Warning (Form): Visibility Interval should be no longer than 1 Orbit (5665.0 secs). (TT-ORI278 (1A)) Warning (Orbit Planner): NO VISIBILITY TABLE CORRESPONDING TO BRIGHT EARTH AVOIDANCE ANGLE (TT-ORI278 (1A)) Warning (Orbit Planner): POS TARG OUTSIDE OF APERTURE (TT-ORI278 (1A)) Warning (Orbit Planner): POS TARG OUTSIDE OF APERTURE (TT-ORI278 (1A)) Warning (Orbit Planner): POS TARG OUTSIDE OF APERTURE (TT-ORI278 (1A)) Warning (Orbit Planner): POS TARG OUTSIDE OF APERTURE (TT-ORI278 (1A)) Informational (Form): The specified Bright Earth Avoidance angle is outside the permitted range.																												
Diagnosics																													
Fixed Targets	<table border="1"> <thead> <tr> <th>#</th> <th>Name</th> <th>Target Coordinates</th> <th>Targ. Coord. Corrections</th> <th>Fluxes</th> <th>Miscellaneous</th> </tr> </thead> <tbody> <tr> <td>(25)</td> <td>JWST-NEP-TDF</td> <td>RA: 17 22 47.8960 (260.6995667d)</td> <td>Epoch of Position: 2000.0</td> <td>V=27.0+/-1.0</td> <td>Reference Frame: ICRS</td> </tr> <tr> <td></td> <td>Alt Name1: WTDF</td> <td>Dec: +65 49 21.54 (65.82265d)</td> <td></td> <td></td> <td></td> </tr> <tr> <td></td> <td></td> <td>Equinox: J2000</td> <td></td> <td></td> <td></td> </tr> </tbody> </table>	#	Name	Target Coordinates	Targ. Coord. Corrections	Fluxes	Miscellaneous	(25)	JWST-NEP-TDF	RA: 17 22 47.8960 (260.6995667d)	Epoch of Position: 2000.0	V=27.0+/-1.0	Reference Frame: ICRS		Alt Name1: WTDF	Dec: +65 49 21.54 (65.82265d)						Equinox: J2000							
	#	Name	Target Coordinates	Targ. Coord. Corrections	Fluxes	Miscellaneous																							
(25)	JWST-NEP-TDF	RA: 17 22 47.8960 (260.6995667d)	Epoch of Position: 2000.0	V=27.0+/-1.0	Reference Frame: ICRS																								
	Alt Name1: WTDF	Dec: +65 49 21.54 (65.82265d)																											
		Equinox: J2000																											
<p><i>Comments: The target field is the central ~5' radius portion of the JWST North Ecliptic Pole (NEP) Time-Domain Field (TDF), for which allocated JWST GTO observations will provide both NIRCcam imaging and NIRISS slitless spectroscopy. This field was defined to be the cleanest >10'x10' area in JWST's northern Continuous Viewing Zone (CVZ), where JWST will conduct a deep extragalactic time-domain survey, with added utility for extreme outer solar system and near-Galactic time-domain science. The JWST-NEP-TDF (or WTDF) is being developed as a *community field*. This HST program will provide contiguous 3-filter coverage in the UV--visible. The specified target coordinates (17:22:47.896, +65:49:21.54) are offset 90" W and ~14"S from the nominal JWST-NEP-TDF field center (17:23:02.55, +65:49:36.0) in Phase I following a detailed evaluation of suitable HST guide stars in the GSCv2.3. The JWST and Chandra field centers will be shifted to match that of HST.</i></p> <p>Category=UNIDENTIFIED Description=[HIGH LATITUDE FIELD, INFRARED EMITTER, OPTICAL EMITTER, ULTRAVIOLET EMITTER]</p>																													

Proposal 17924 - TT-ORI278 (1A) - TREASURETROVE: Tracing the Growth of SMBHs and Spheroids through Variability and Transie...

#	Label	Target	Config,Mode,Aperture	Spectral Els.	Opt. Params.	Special Reqs.	Groups	Exp. Time (Total)/[Actual Dur.]	Orbit
Exposures	1	(25) JWST-NEP-TD F	ACS/WFC, ACCUM, WFC	F606W		POS TARG -96.026 15059196609,135.16 182579648736; GS ACQ SCENARI O BASE103	Sequence 1-8 Non-Int in TT-ORI278 (1A) Prime + Parallel Gro up 1-2 in Sequence 1 -8 Non-Int in TT-OR I278 (1A)	1140 Secs (1140 Secs) [==>]	[1]
	2	ANY	WFC3/UVIS, ACCUM, UVIS	F606W			Sequence 1-8 Non-Int in TT-ORI278 (1A) Prime + Parallel Gro up 1-2 in Sequence 1 -8 Non-Int in TT-OR I278 (1A)	1230 Secs (1230 Secs) [==>]	[1]
	3	(25) JWST-NEP-TD F	ACS/WFC, ACCUM, WFC	F606W		POS TARG -95.878 08059196608,135.24 806579648737	Sequence 1-8 Non-Int in TT-ORI278 (1A) Prime + Parallel Gro up 3-4 in Sequence 1 -8 Non-Int in TT-OR I278 (1A)	1155 Secs (1155 Secs) [==>]	[1]
	4	ANY	WFC3/UVIS, ACCUM, UVIS	F606W			Sequence 1-8 Non-Int in TT-ORI278 (1A) Prime + Parallel Gro up 3-4 in Sequence 1 -8 Non-Int in TT-OR I278 (1A)	1185 Secs (1185 Secs) [==>]	[1]
	5	(25) JWST-NEP-TD F	ACS/WFC, ACCUM, WFC	F606W		POS TARG -95.804 00059196609,134.04 316579648736	Sequence 1-8 Non-Int in TT-ORI278 (1A) Prime + Parallel Gro up 5-6 in Sequence 1 -8 Non-Int in TT-OR I278 (1A)	1155 Secs (1155 Secs) [==>]	[1]
	6	ANY	WFC3/UVIS, ACCUM, UVIS	F606W			Sequence 1-8 Non-Int in TT-ORI278 (1A) Prime + Parallel Gro up 5-6 in Sequence 1 -8 Non-Int in TT-OR I278 (1A)	1185 Secs (1185 Secs) [==>]	[1]
	7	(25) JWST-NEP-TD F	ACS/WFC, ACCUM, WFC	F606W		POS TARG -95.952 10059196609,134.95 693579648736	Sequence 1-8 Non-Int in TT-ORI278 (1A) Prime + Parallel Gro up 7-8 in Sequence 1 -8 Non-Int in TT-OR I278 (1A)	1155 Secs (1155 Secs) [==>]	[1]
	8	ANY	WFC3/UVIS, ACCUM, UVIS	F606W			Sequence 1-8 Non-Int in TT-ORI278 (1A) Prime + Parallel Gro up 7-8 in Sequence 1 -8 Non-Int in TT-OR I278 (1A)	1165 Secs (1165 Secs) [==>]	[1]





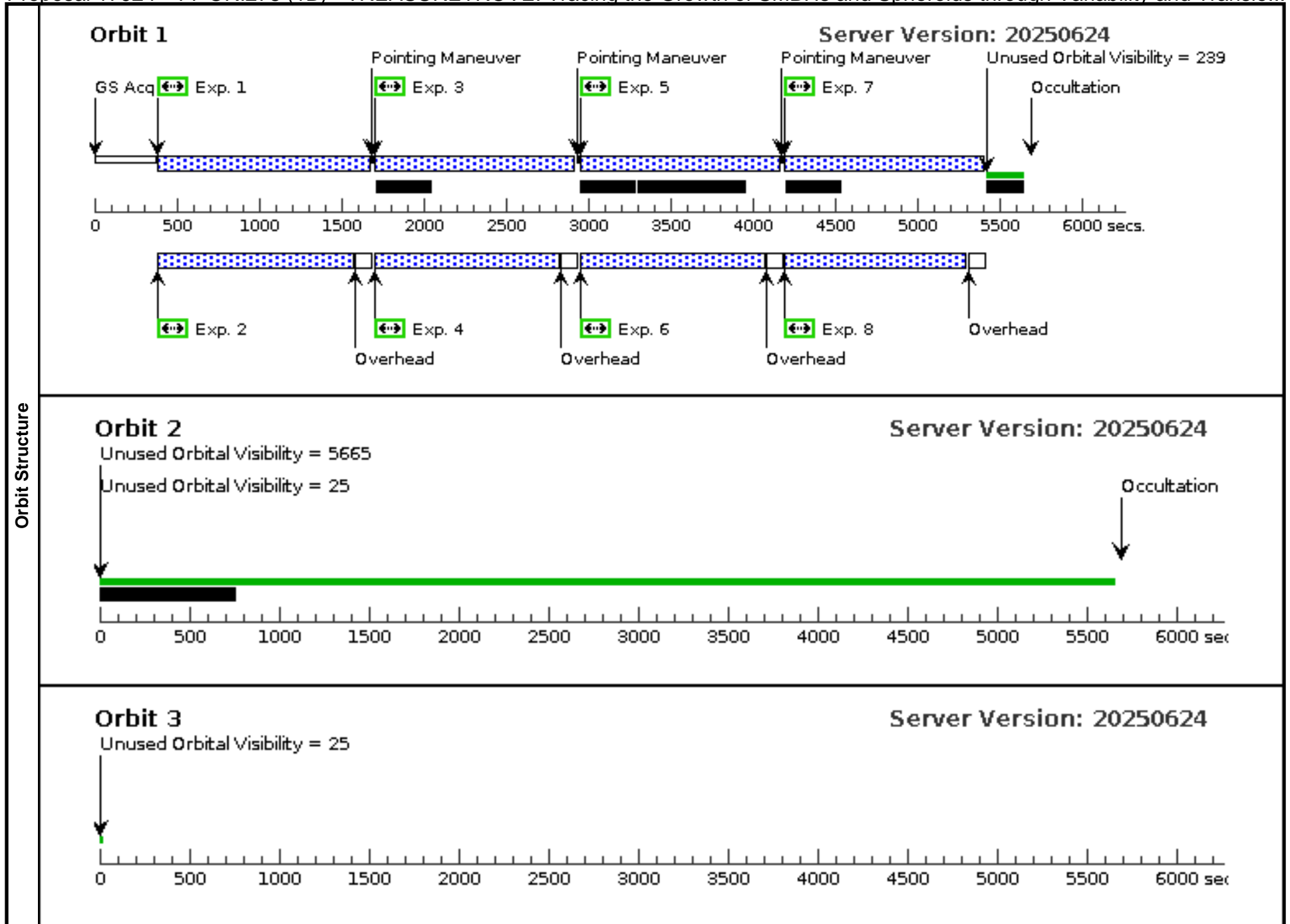
Proposal 17924 - TT-ORI278 (1B) - TREASURETROVE: Tracing the Growth of SMBHs and Spheroids through Variability and Transie...

Thu Sep 18 15:03:49 GMT 2025

Visit	Proposal 17924, TT-ORI278 (1B), completed Diagnostic Status: Warning Scientific Instruments: WFC3/UVIS, ACS/WFC Special Requirements: BRIGHT EARTH AVOID 13.5D; ORIENT 278D TO 278 D; BETWEEN 15-FEB-2025:00:00:00 AND 15-APR-2025:00:00:00; VISIBILITY INTERVAL 5690 S																												
	(TT-ORI278 (1B)) Warning (Form): Visibility Interval should be no longer than 1 Orbit (5665.0 secs). (TT-ORI278 (1B)) Warning (Orbit Planner): NO VISIBILITY TABLE CORRESPONDING TO BRIGHT EARTH AVOIDANCE ANGLE (TT-ORI278 (1B)) Warning (Orbit Planner): POS TARG OUTSIDE OF APERTURE (TT-ORI278 (1B)) Warning (Orbit Planner): POS TARG OUTSIDE OF APERTURE (TT-ORI278 (1B)) Warning (Orbit Planner): POS TARG OUTSIDE OF APERTURE (TT-ORI278 (1B)) Warning (Orbit Planner): POS TARG OUTSIDE OF APERTURE (TT-ORI278 (1B)) Informational (Form): The specified Bright Earth Avoidance angle is outside the permitted range.																												
Diagnosics																													
Fixed Targets	<table border="1"> <thead> <tr> <th>#</th> <th>Name</th> <th>Target Coordinates</th> <th>Targ. Coord. Corrections</th> <th>Fluxes</th> <th>Miscellaneous</th> </tr> </thead> <tbody> <tr> <td>(25)</td> <td>JWST-NEP-TDF</td> <td>RA: 17 22 47.8960 (260.6995667d)</td> <td>Epoch of Position: 2000.0</td> <td>V=27.0+/-1.0</td> <td>Reference Frame: ICRS</td> </tr> <tr> <td></td> <td>Alt Name1: WTDF</td> <td>Dec: +65 49 21.54 (65.82265d)</td> <td></td> <td></td> <td></td> </tr> <tr> <td></td> <td></td> <td>Equinox: J2000</td> <td></td> <td></td> <td></td> </tr> </tbody> </table>	#	Name	Target Coordinates	Targ. Coord. Corrections	Fluxes	Miscellaneous	(25)	JWST-NEP-TDF	RA: 17 22 47.8960 (260.6995667d)	Epoch of Position: 2000.0	V=27.0+/-1.0	Reference Frame: ICRS		Alt Name1: WTDF	Dec: +65 49 21.54 (65.82265d)						Equinox: J2000							
	#	Name	Target Coordinates	Targ. Coord. Corrections	Fluxes	Miscellaneous																							
(25)	JWST-NEP-TDF	RA: 17 22 47.8960 (260.6995667d)	Epoch of Position: 2000.0	V=27.0+/-1.0	Reference Frame: ICRS																								
	Alt Name1: WTDF	Dec: +65 49 21.54 (65.82265d)																											
		Equinox: J2000																											
<p><i>Comments: The target field is the central ~5' radius portion of the JWST North Ecliptic Pole (NEP) Time-Domain Field (TDF), for which allocated JWST GTO observations will provide both NIRCcam imaging and NIRISS slitless spectroscopy. This field was defined to be the cleanest >10'x10' area in JWST's northern Continuous Viewing Zone (CVZ), where JWST will conduct a deep extragalactic time-domain survey, with added utility for extreme outer solar system and near-Galactic time-domain science. The JWST-NEP-TDF (or WTDF) is being developed as a *community field*. This HST program will provide contiguous 3-filter coverage in the UV--visible. The specified target coordinates (17:22:47.896, +65:49:21.54) are offset 90" W and ~14"S from the nominal JWST-NEP-TDF field center (17:23:02.55, +65:49:36.0) in Phase I following a detailed evaluation of suitable HST guide stars in the GSCv2.3. The JWST and Chandra field centers will be shifted to match that of HST.</i></p> <p>Category=UNIDENTIFIED Description=[HIGH LATITUDE FIELD, INFRARED EMITTER, OPTICAL EMITTER, ULTRAVIOLET EMITTER]</p>																													

Proposal 17924 - TT-ORI278 (1B) - TREASURETROVE: Tracing the Growth of SMBHs and Spheroids through Variability and Transie...

#	Label	Target	Config,Mode,Aperture	Spectral Els.	Opt. Params.	Special Reqs.	Groups	Exp. Time (Total)/[Actual Dur.]	Orbit
Exposures	1	(25) JWST-NEP-TD F	ACS/WFC, ACCUM, WFC	F606W		POS TARG 100.015 22320971621,150.56 838448094175; GS ACQ SCENARI O BASE103	Sequence 1-8 Non-Int in TT-ORI278 (1B) Prime + Parallel Group 1-2 in Sequence 1-8 Non-Int in TT-ORI278 (1B)	1082 Secs (1082 Secs) [==>]	[1]
	2	ANY	WFC3/UVIS, ACCUM, UVIS	F606W			Sequence 1-8 Non-Int in TT-ORI278 (1B) Prime + Parallel Group 1-2 in Sequence 1-8 Non-Int in TT-ORI278 (1B)	1162 Secs (1162 Secs) [==>]	[1]
	3	(25) JWST-NEP-TD F	ACS/WFC, ACCUM, WFC	F606W		POS TARG 100.163 29320971622,150.65 462448094175	Sequence 1-8 Non-Int in TT-ORI278 (1B) Prime + Parallel Group 3-4 in Sequence 1-8 Non-Int in TT-ORI278 (1B)	1090 Secs (1090 Secs) [==>]	[1]
	4	ANY	WFC3/UVIS, ACCUM, UVIS	F606W			Sequence 1-8 Non-Int in TT-ORI278 (1B) Prime + Parallel Group 3-4 in Sequence 1-8 Non-Int in TT-ORI278 (1B)	1120 Secs (1120 Secs) [==>]	[1]
	5	(25) JWST-NEP-TD F	ACS/WFC, ACCUM, WFC	F606W		POS TARG 100.237 37320971621,150.44 972448094174	Sequence 1-8 Non-Int in TT-ORI278 (1B) Prime + Parallel Group 5-6 in Sequence 1-8 Non-Int in TT-ORI278 (1B)	1090 Secs (1090 Secs) [==>]	[1]
	6	ANY	WFC3/UVIS, ACCUM, UVIS	F606W			Sequence 1-8 Non-Int in TT-ORI278 (1B) Prime + Parallel Group 5-6 in Sequence 1-8 Non-Int in TT-ORI278 (1B)	1120 Secs (1120 Secs) [==>]	[1]
	7	(25) JWST-NEP-TD F	ACS/WFC, ACCUM, WFC	F606W		POS TARG 100.089 27320971621,150.36 349448094174	Sequence 1-8 Non-Int in TT-ORI278 (1B) Prime + Parallel Group 7-8 in Sequence 1-8 Non-Int in TT-ORI278 (1B)	1090 Secs (1090 Secs) [==>]	[1]
	8	ANY	WFC3/UVIS, ACCUM, UVIS	F606W			Sequence 1-8 Non-Int in TT-ORI278 (1B) Prime + Parallel Group 7-8 in Sequence 1-8 Non-Int in TT-ORI278 (1B)	1100 Secs (1100 Secs) [==>]	[1]



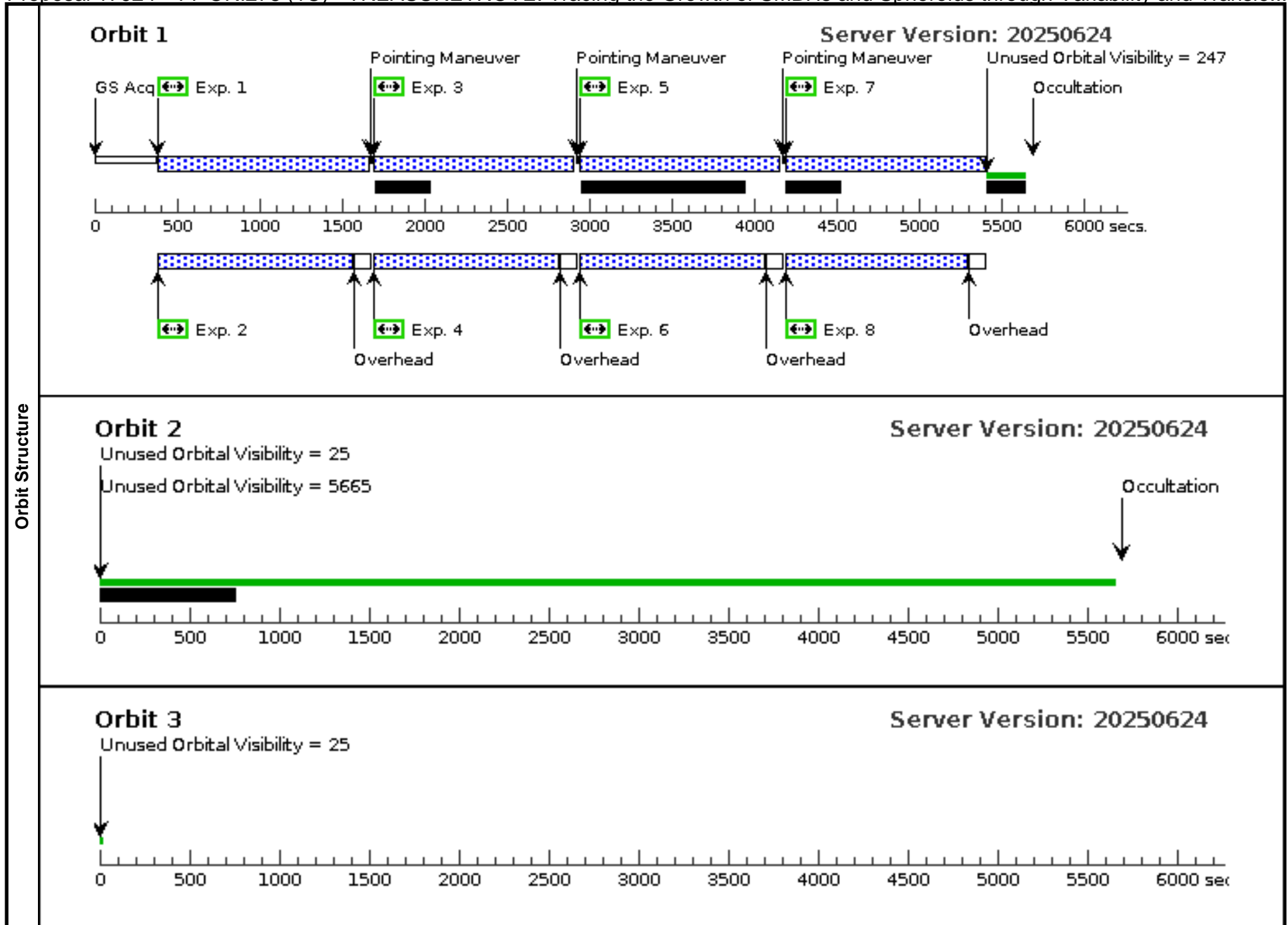
Proposal 17924 - TT-ORI278 (1C) - TREASURETROVE: Tracing the Growth of SMBHs and Spheroids through Variability and Transie...

Thu Sep 18 15:03:49 GMT 2025

Visit	<p>Proposal 17924, TT-ORI278 (1C), completed</p> <p>Diagnostic Status: Warning</p> <p>Scientific Instruments: WFC3/UVIS, ACS/WFC</p> <p>Special Requirements: BRIGHT EARTH AVOID 13.5D; ORIENT 278D TO 278 D; BETWEEN 15-FEB-2025:00:00:00 AND 15-APR-2025:00:00:00; VISIBILITY INTERVAL 5690 S</p>					
Diagnostics	<p>(TT-ORI278 (1C)) Warning (Form): Visibility Interval should be no longer than 1 Orbit (5665.0 secs).</p> <p>(TT-ORI278 (1C)) Warning (Orbit Planner): NO VISIBILITY TABLE CORRESPONDING TO BRIGHT EARTH AVOIDANCE ANGLE</p> <p>(TT-ORI278 (1C)) Warning (Orbit Planner): POS TARG OUTSIDE OF APERTURE</p> <p>(TT-ORI278 (1C)) Warning (Orbit Planner): POS TARG OUTSIDE OF APERTURE</p> <p>(TT-ORI278 (1C)) Warning (Orbit Planner): POS TARG OUTSIDE OF APERTURE</p> <p>(TT-ORI278 (1C)) Warning (Orbit Planner): POS TARG OUTSIDE OF APERTURE</p> <p>(TT-ORI278 (1C)) Informational (Form): The specified Bright Earth Avoidance angle is outside the permitted range.</p>					
Fixed Targets	#	Name	Target Coordinates	Targ. Coord. Corrections	Fluxes	Miscellaneous
	(25)	JWST-NEP-TDF Alt Name1: WTDF	RA: 17 22 47.8960 (260.6995667d) Dec: +65 49 21.54 (65.82265d) Equinox: J2000	Epoch of Position: 2000.0	V=27.0+/-1.0	Reference Frame: ICRS
	<p><i>Comments: The target field is the central ~5' radius portion of the JWST North Ecliptic Pole (NEP) Time-Domain Field (TDF), for which allocated JWST GTO observations will provide both NIRCcam imaging and NIRISS slitless spectroscopy. This field was defined to be the cleanest >10'x10' area in JWST's northern Continuous Viewing Zone (CVZ), where JWST will conduct a deep extragalactic time-domain survey, with added utility for extreme outer solar system and near-Galactic time-domain science. The JWST-NEP-TDF (or WTDF) is being developed as a *community field*. This HST program will provide contiguous 3-filter coverage in the UV--visible. The specified target coordinates (17:22:47.896, +65:49:21.54) are offset 90" W and ~14"S from the nominal JWST-NEP-TDF field center (17:23:02.55, +65:49:36.0) in Phase I following a detailed evaluation of suitable HST guide stars in the GSCv2.3. The JWST and Chandra field centers will be shifted to match that of HST.</i></p> <p>Category=UNIDENTIFIED</p> <p>Description=[HIGH LATITUDE FIELD, INFRARED EMITTER, OPTICAL EMITTER, ULTRAVIOLET EMITTER]</p>					

Proposal 17924 - TT-ORI278 (1C) - TREASURETROVE: Tracing the Growth of SMBHs and Spheroids through Variability and Transie...

#	Label	Target	Config,Mode,Aperture	Spectral Els.	Opt. Params.	Special Reqs.	Groups	Exp. Time (Total)/[Actual Dur.]	Orbit
Exposures	1	(25) JWST-NEP-TD F	ACS/WFC, ACCUM, WFC	F606W		POS TARG -97.770 97992193157,334.97 876252635194; GS ACQ SCENARI O BASE103	Sequence 1-8 Non-Int in TT-ORI278 (1C) Prime + Parallel Group 1-2 in Sequence 1-8 Non-Int in TT-ORI278 (1C)	1074 Secs (1074 Secs) [==>]	[1]
	2	ANY	WFC3/UVIS, ACCUM, UVIS	F606W			Sequence 1-8 Non-Int in TT-ORI278 (1C) Prime + Parallel Group 1-2 in Sequence 1-8 Non-Int in TT-ORI278 (1C)	1154 Secs (1154 Secs) [==>]	[1]
	3	(25) JWST-NEP-TD F	ACS/WFC, ACCUM, WFC	F606W		POS TARG -97.622 90992193157,335.06 50025263519	Sequence 1-8 Non-Int in TT-ORI278 (1C) Prime + Parallel Group 3-4 in Sequence 1-8 Non-Int in TT-ORI278 (1C)	1090 Secs (1090 Secs) [==>]	[1]
	4	ANY	WFC3/UVIS, ACCUM, UVIS	F606W			Sequence 1-8 Non-Int in TT-ORI278 (1C) Prime + Parallel Group 3-4 in Sequence 1-8 Non-Int in TT-ORI278 (1C)	1120 Secs (1120 Secs) [==>]	[1]
	5	(25) JWST-NEP-TD F	ACS/WFC, ACCUM, WFC	F606W		POS TARG -97.548 82992193157,334.86 010252635197	Sequence 1-8 Non-Int in TT-ORI278 (1C) Prime + Parallel Group 5-6 in Sequence 1-8 Non-Int in TT-ORI278 (1C)	1090 Secs (1090 Secs) [==>]	[1]
	6	ANY	WFC3/UVIS, ACCUM, UVIS	F606W			Sequence 1-8 Non-Int in TT-ORI278 (1C) Prime + Parallel Group 5-6 in Sequence 1-8 Non-Int in TT-ORI278 (1C)	1120 Secs (1120 Secs) [==>]	[1]
	7	(25) JWST-NEP-TD F	ACS/WFC, ACCUM, WFC	F606W		POS TARG -97.696 92992193157,334.77 387252635197	Sequence 1-8 Non-Int in TT-ORI278 (1C) Prime + Parallel Group 7-8 in Sequence 1-8 Non-Int in TT-ORI278 (1C)	1090 Secs (1090 Secs) [==>]	[1]
	8	ANY	WFC3/UVIS, ACCUM, UVIS	F606W			Sequence 1-8 Non-Int in TT-ORI278 (1C) Prime + Parallel Group 7-8 in Sequence 1-8 Non-Int in TT-ORI278 (1C)	1100 Secs (1100 Secs) [==>]	[1]



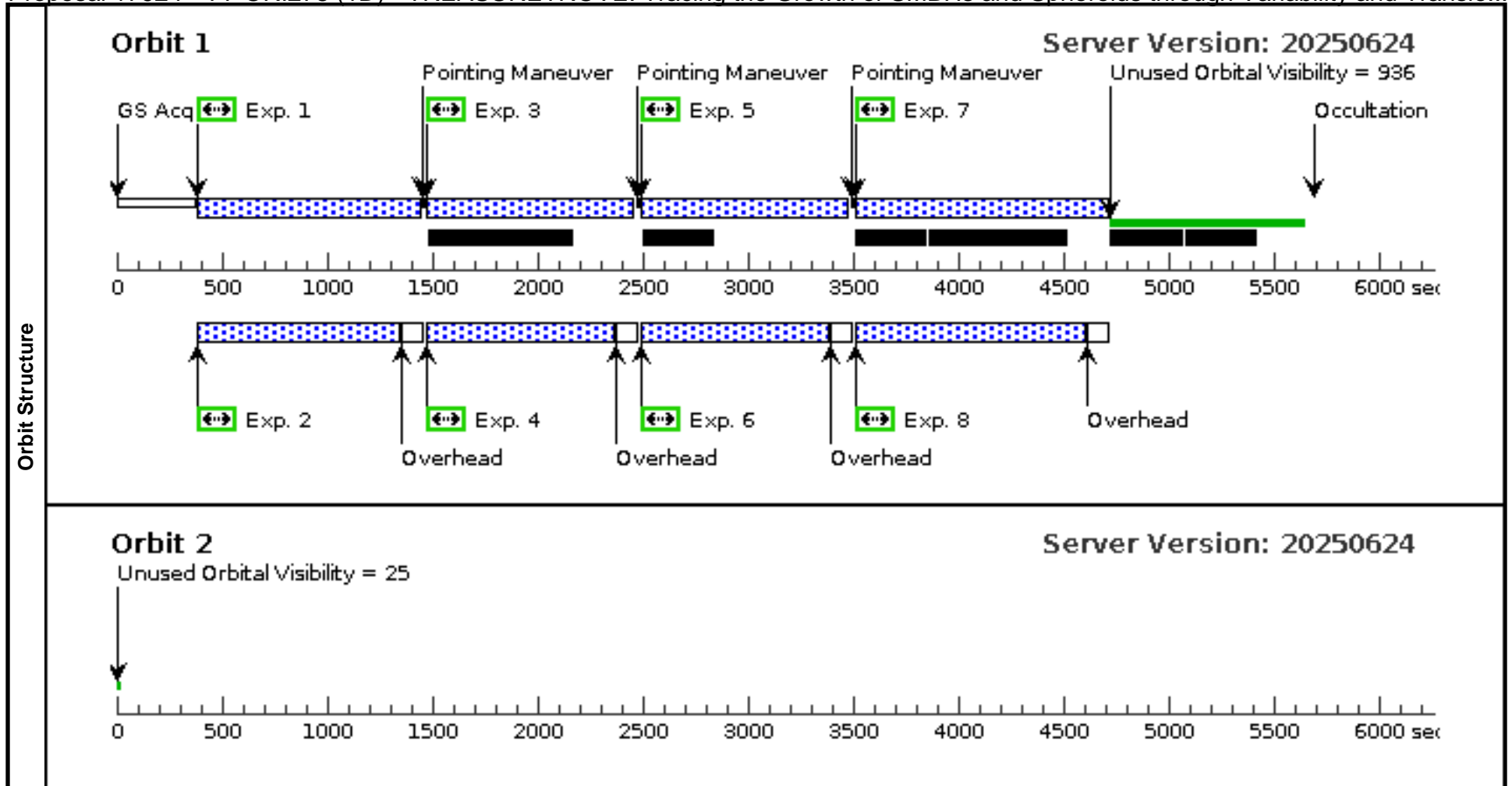
Proposal 17924 - TT-ORI278 (1D) - TREASURETROVE: Tracing the Growth of SMBHs and Spheroids through Variability and Transie...

Thu Sep 18 15:03:49 GMT 2025

Visit	Proposal 17924, TT-ORI278 (1D), completed Diagnostic Status: Warning Scientific Instruments: WFC3/UVIS, ACS/WFC Special Requirements: BRIGHT EARTH AVOID 13.5D; ORIENT 278D TO 278 D; BETWEEN 15-FEB-2025:00:00:00 AND 15-APR-2025:00:00:00; VISIBILITY INTERVAL 5690 S																												
	(TT-ORI278 (1D)) Warning (Form): Visibility Interval should be no longer than 1 Orbit (5665.0 secs). (TT-ORI278 (1D)) Warning (Orbit Planner): NO VISIBILITY TABLE CORRESPONDING TO BRIGHT EARTH AVOIDANCE ANGLE (TT-ORI278 (1D)) Warning (Orbit Planner): POS TARG OUTSIDE OF APERTURE (TT-ORI278 (1D)) Warning (Orbit Planner): POS TARG OUTSIDE OF APERTURE (TT-ORI278 (1D)) Warning (Orbit Planner): POS TARG OUTSIDE OF APERTURE (TT-ORI278 (1D)) Warning (Orbit Planner): POS TARG OUTSIDE OF APERTURE (TT-ORI278 (1D)) Informational (Form): The specified Bright Earth Avoidance angle is outside the permitted range.																												
Diagnosics																													
Fixed Targets	<table border="1"> <thead> <tr> <th>#</th> <th>Name</th> <th>Target Coordinates</th> <th>Targ. Coord. Corrections</th> <th>Fluxes</th> <th>Miscellaneous</th> </tr> </thead> <tbody> <tr> <td>(25)</td> <td>JWST-NEP-TDF</td> <td>RA: 17 22 47.8960 (260.6995667d)</td> <td>Epoch of Position: 2000.0</td> <td>V=27.0+/-1.0</td> <td>Reference Frame: ICRS</td> </tr> <tr> <td></td> <td>Alt Name1: WTDF</td> <td>Dec: +65 49 21.54 (65.82265d)</td> <td></td> <td></td> <td></td> </tr> <tr> <td></td> <td></td> <td>Equinox: J2000</td> <td></td> <td></td> <td></td> </tr> </tbody> </table>	#	Name	Target Coordinates	Targ. Coord. Corrections	Fluxes	Miscellaneous	(25)	JWST-NEP-TDF	RA: 17 22 47.8960 (260.6995667d)	Epoch of Position: 2000.0	V=27.0+/-1.0	Reference Frame: ICRS		Alt Name1: WTDF	Dec: +65 49 21.54 (65.82265d)						Equinox: J2000							
	#	Name	Target Coordinates	Targ. Coord. Corrections	Fluxes	Miscellaneous																							
(25)	JWST-NEP-TDF	RA: 17 22 47.8960 (260.6995667d)	Epoch of Position: 2000.0	V=27.0+/-1.0	Reference Frame: ICRS																								
	Alt Name1: WTDF	Dec: +65 49 21.54 (65.82265d)																											
		Equinox: J2000																											
<p><i>Comments: The target field is the central ~5' radius portion of the JWST North Ecliptic Pole (NEP) Time-Domain Field (TDF), for which allocated JWST GTO observations will provide both NIRCcam imaging and NIRISS slitless spectroscopy. This field was defined to be the cleanest >10'x10' area in JWST's northern Continuous Viewing Zone (CVZ), where JWST will conduct a deep extragalactic time-domain survey, with added utility for extreme outer solar system and near-Galactic time-domain science. The JWST-NEP-TDF (or WTDF) is being developed as a *community field*. This HST program will provide contiguous 3-filter coverage in the UV--visible. The specified target coordinates (17:22:47.896, +65:49:21.54) are offset 90" W and ~14"S from the nominal JWST-NEP-TDF field center (17:23:02.55, +65:49:36.0) in Phase I following a detailed evaluation of suitable HST guide stars in the GSCv2.3. The JWST and Chandra field centers will be shifted to match that of HST.</i></p> <p>Category=UNIDENTIFIED Description=[HIGH LATITUDE FIELD, INFRARED EMITTER, OPTICAL EMITTER, ULTRAVIOLET EMITTER]</p>																													

Proposal 17924 - TT-ORI278 (1D) - TREASURETROVE: Tracing the Growth of SMBHs and Spheroids through Variability and Transie...

#	Label	Target	Config,Mode,Aperture	Spectral Els.	Opt. Params.	Special Reqs.	Groups	Exp. Time (Total)/[Actual Dur.]	Orbit
Exposures	1	(25) JWST-NEP-TD F	ACS/WFC, ACCUM, WFC	F606W		POS TARG 98.2911 5936845639,350.377 83819723046; GS ACQ SCENARI O BASE103	Sequence 1-8 Non-Int in TT-ORI278 (1D) Prime + Parallel Gro up 1-2 in Sequence 1 -8 Non-Int in TT-OR I278 (1D)	854 Secs (854 Secs) [==>]	[1]
	2	ANY	WFC3/UVIS, ACCUM, UVIS	F606W			Sequence 1-8 Non-Int in TT-ORI278 (1D) Prime + Parallel Gro up 1-2 in Sequence 1 -8 Non-Int in TT-OR I278 (1D)	934 Secs (934 Secs) [==>]	[1]
	3	(25) JWST-NEP-TD F	ACS/WFC, ACCUM, WFC	F606W		POS TARG 98.4392 293684564,350.4640 7819723044	Sequence 1-8 Non-Int in TT-ORI278 (1D) Prime + Parallel Gro up 3-4 in Sequence 1 -8 Non-Int in TT-OR I278 (1D)	860 Secs (860 Secs) [==>]	[1]
	4	ANY	WFC3/UVIS, ACCUM, UVIS	F606W			Sequence 1-8 Non-Int in TT-ORI278 (1D) Prime + Parallel Gro up 3-4 in Sequence 1 -8 Non-Int in TT-OR I278 (1D)	890 Secs (890 Secs) [==>]	[1]
	5	(25) JWST-NEP-TD F	ACS/WFC, ACCUM, WFC	F606W		POS TARG 98.5133 0936845639,350.259 1781972305	Sequence 1-8 Non-Int in TT-ORI278 (1D) Prime + Parallel Gro up 5-6 in Sequence 1 -8 Non-Int in TT-OR I278 (1D)	860 Secs (860 Secs) [==>]	[1]
	6	ANY	WFC3/UVIS, ACCUM, UVIS	F606W			Sequence 1-8 Non-Int in TT-ORI278 (1D) Prime + Parallel Gro up 5-6 in Sequence 1 -8 Non-Int in TT-OR I278 (1D)	890 Secs (890 Secs) [==>]	[1]
	7	(25) JWST-NEP-TD F	ACS/WFC, ACCUM, WFC	F606W		POS TARG 98.3652 0936845639,350.172 9481972305	Sequence 1-8 Non-Int in TT-ORI278 (1D) Prime + Parallel Gro up 7-8 in Sequence 1 -8 Non-Int in TT-OR I278 (1D)	1081 Secs (1081 Secs) [==>]	[1]
	8	ANY	WFC3/UVIS, ACCUM, UVIS	F606W			Sequence 1-8 Non-Int in TT-ORI278 (1D) Prime + Parallel Gro up 7-8 in Sequence 1 -8 Non-Int in TT-OR I278 (1D)	1091 Secs (1091 Secs) [==>]	[1]



Proposal 17924 - TT-ORI217 (02) - TREASURETROVE: Tracing the Growth of SMBHs and Spheroids through Variability and Transie...

#	Label	Target	Config,Mode,Aperture	Spectral Els.	Opt. Params.	Special Reqs.	Groups	Exp. Time (Total)/[Actual Dur.]	Orbit
Exposures	1	(25) JWST-NEP-TD F	ACS/WFC, ACCUM, WFC	F606W		POS TARG -96.026 15059196609,135.16 182579648736; GS ACQ SCENARI O BASE103	Sequence 1-8 Non-Int in TT-ORI217 (02) Prime + Parallel Group 1-2 in Sequence 1-8 Non-Int in TT-ORI217 (02)	1140 Secs (1140 Secs) [==>]	[1]
	2	ANY	WFC3/UVIS, ACCUM, UVIS	F606W			Sequence 1-8 Non-Int in TT-ORI217 (02) Prime + Parallel Group 1-2 in Sequence 1-8 Non-Int in TT-ORI217 (02)	1230 Secs (1230 Secs) [==>]	[1]
	3	(25) JWST-NEP-TD F	ACS/WFC, ACCUM, WFC	F606W		POS TARG -95.878 08059196608,135.24 806579648737	Sequence 1-8 Non-Int in TT-ORI217 (02) Prime + Parallel Group 3-4 in Sequence 1-8 Non-Int in TT-ORI217 (02)	1155 Secs (1155 Secs) [==>]	[1]
	4	ANY	WFC3/UVIS, ACCUM, UVIS	F606W			Sequence 1-8 Non-Int in TT-ORI217 (02) Prime + Parallel Group 3-4 in Sequence 1-8 Non-Int in TT-ORI217 (02)	1185 Secs (1185 Secs) [==>]	[1]
	5	(25) JWST-NEP-TD F	ACS/WFC, ACCUM, WFC	F606W		POS TARG -95.804 00059196609,135.04 316579648736	Sequence 1-8 Non-Int in TT-ORI217 (02) Prime + Parallel Group 5-6 in Sequence 1-8 Non-Int in TT-ORI217 (02)	1155 Secs (1155 Secs) [==>]	[1]
	6	ANY	WFC3/UVIS, ACCUM, UVIS	F606W			Sequence 1-8 Non-Int in TT-ORI217 (02) Prime + Parallel Group 5-6 in Sequence 1-8 Non-Int in TT-ORI217 (02)	1185 Secs (1185 Secs) [==>]	[1]
	7	(25) JWST-NEP-TD F	ACS/WFC, ACCUM, WFC	F606W		POS TARG -95.952 10059196609,134.95 693579648736	Sequence 1-8 Non-Int in TT-ORI217 (02) Prime + Parallel Group 7-8 in Sequence 1-8 Non-Int in TT-ORI217 (02)	1155 Secs (1155 Secs) [==>]	[1]
	8	ANY	WFC3/UVIS, ACCUM, UVIS	F606W			Sequence 1-8 Non-Int in TT-ORI217 (02) Prime + Parallel Group 7-8 in Sequence 1-8 Non-Int in TT-ORI217 (02)	1165 Secs (1165 Secs) [==>]	[1]
	9	(25) JWST-NEP-TD F	ACS/WFC, ACCUM, WFC	F606W		POS TARG 100.015 22320971621,150.56 838448094175; GS ACQ SCENARI O BASE103	Sequence 9-16 Non-Int in TT-ORI217 (02) Prime + Parallel Group 9-10 in Sequence 9-16 Non-Int in TT-ORI217 (02)	1082 Secs (1082 Secs) [==>]	[2]

Proposal 17924 - TT-ORI217 (02) - TREASURETROVE: Tracing the Growth of SMBHs and Spheroids through Variability and Transie...

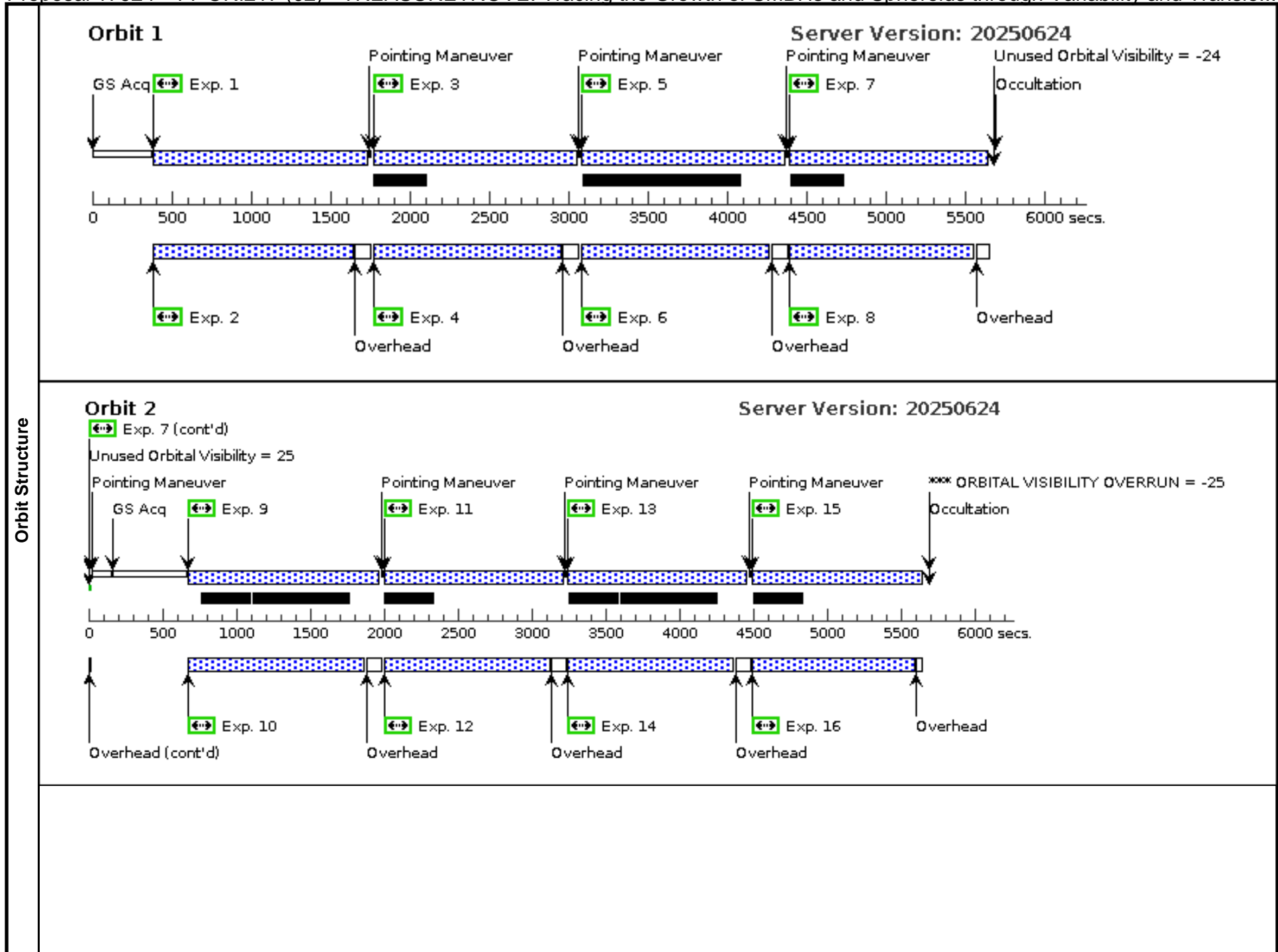
10	ANY	WFC3/UVIS, ACCUM, UVIS	F606W		Sequence 9-16 Non-Int in TT-ORI217 (02) Prime + Parallel Group 9-10 in Sequence 9-16 Non-Int in TT-ORI217 (02)	1162 Secs (1162 Secs) [==>]	[2]
11	(25) JWST-NEP-TD F	ACS/WFC, ACCUM, WFC	F606W	POS TARG 100.163 29320971622,150.65 462448094175	Sequence 9-16 Non-Int in TT-ORI217 (02) Prime + Parallel Group 11-12 in Sequence 9-16 Non-Int in TT-ORI217 (02)	1090 Secs (1090 Secs) [==>]	[2]
12	ANY	WFC3/UVIS, ACCUM, UVIS	F606W		Sequence 9-16 Non-Int in TT-ORI217 (02) Prime + Parallel Group 11-12 in Sequence 9-16 Non-Int in TT-ORI217 (02)	1120 Secs (1120 Secs) [==>]	[2]
13	(25) JWST-NEP-TD F	ACS/WFC, ACCUM, WFC	F606W	POS TARG 100.237 37320971621,150.44 972448094174	Sequence 9-16 Non-Int in TT-ORI217 (02) Prime + Parallel Group 13-14 in Sequence 9-16 Non-Int in TT-ORI217 (02)	1090 Secs (1090 Secs) [==>]	[2]
14	ANY	WFC3/UVIS, ACCUM, UVIS	F606W		Sequence 9-16 Non-Int in TT-ORI217 (02) Prime + Parallel Group 13-14 in Sequence 9-16 Non-Int in TT-ORI217 (02)	1120 Secs (1120 Secs) [==>]	[2]
15	(25) JWST-NEP-TD F	ACS/WFC, ACCUM, WFC	F606W	POS TARG 100.089 27320971621,150.36 349448094174	Sequence 9-16 Non-Int in TT-ORI217 (02) Prime + Parallel Group 15-16 in Sequence 9-16 Non-Int in TT-ORI217 (02)	1090 Secs (1090 Secs) [==>]	[2]
16	ANY	WFC3/UVIS, ACCUM, UVIS	F606W		Sequence 9-16 Non-Int in TT-ORI217 (02) Prime + Parallel Group 15-16 in Sequence 9-16 Non-Int in TT-ORI217 (02)	1100 Secs (1100 Secs) [==>]	[2]
17	(25) JWST-NEP-TD F	ACS/WFC, ACCUM, WFC	F606W	POS TARG -97.770 97992193157,334.97 876252635194; GS ACQ SCENARIO BASE103	Sequence 17-24 Non-Int in TT-ORI217 (02) Prime + Parallel Group 17-18 in Sequence 17-24 Non-Int in TT-ORI217 (02)	1074 Secs (1074 Secs) [==>]	[3]

Proposal 17924 - TT-ORI217 (02) - TREASURETROVE: Tracing the Growth of SMBHs and Spheroids through Variability and Transie...

18	ANY	WFC3/UVIS, ACCUM, UVIS	F606W		Sequence 17-24 Non-Int in TT-ORI217 (02) Prime + Parallel Group 17-18 in Sequence 17-24 Non-Int in TT-ORI217 (02)	1154 Secs (1154 Secs) [==>]	[3]
19	(25) JWST-NEP-TD F	ACS/WFC, ACCUM, WFC	F606W	POS TARG -97.622 90992193157,335.06 50025263519	Sequence 17-24 Non-Int in TT-ORI217 (02) Prime + Parallel Group 19-20 in Sequence 17-24 Non-Int in TT-ORI217 (02)	1090 Secs (1090 Secs) [==>]	[3]
20	ANY	WFC3/UVIS, ACCUM, UVIS	F606W		Sequence 17-24 Non-Int in TT-ORI217 (02) Prime + Parallel Group 19-20 in Sequence 17-24 Non-Int in TT-ORI217 (02)	1120 Secs (1120 Secs) [==>]	[3]
21	(25) JWST-NEP-TD F	ACS/WFC, ACCUM, WFC	F606W	POS TARG -97.548 82992193157,334.86 010252635197	Sequence 17-24 Non-Int in TT-ORI217 (02) Prime + Parallel Group 21-22 in Sequence 17-24 Non-Int in TT-ORI217 (02)	1090 Secs (1090 Secs) [==>]	[3]
22	ANY	WFC3/UVIS, ACCUM, UVIS	F606W		Sequence 17-24 Non-Int in TT-ORI217 (02) Prime + Parallel Group 21-22 in Sequence 17-24 Non-Int in TT-ORI217 (02)	1120 Secs (1120 Secs) [==>]	[3]
23	(25) JWST-NEP-TD F	ACS/WFC, ACCUM, WFC	F606W	POS TARG -97.696 92992193157,334.77 387252635197	Sequence 17-24 Non-Int in TT-ORI217 (02) Prime + Parallel Group 23-24 in Sequence 17-24 Non-Int in TT-ORI217 (02)	1090 Secs (1090 Secs) [==>]	[3]
24	ANY	WFC3/UVIS, ACCUM, UVIS	F606W		Sequence 17-24 Non-Int in TT-ORI217 (02) Prime + Parallel Group 23-24 in Sequence 17-24 Non-Int in TT-ORI217 (02)	1100 Secs (1100 Secs) [==>]	[3]
25	(25) JWST-NEP-TD F	ACS/WFC, ACCUM, WFC	F606W	POS TARG 98.2911 5936845639,350.377 83819723046; GS ACQ SCENARIO BASE103	Sequence 25-32 Non-Int in TT-ORI217 (02) Prime + Parallel Group 25-26 in Sequence 25-32 Non-Int in TT-ORI217 (02)	854 Secs (854 Secs) [==>]	[4]

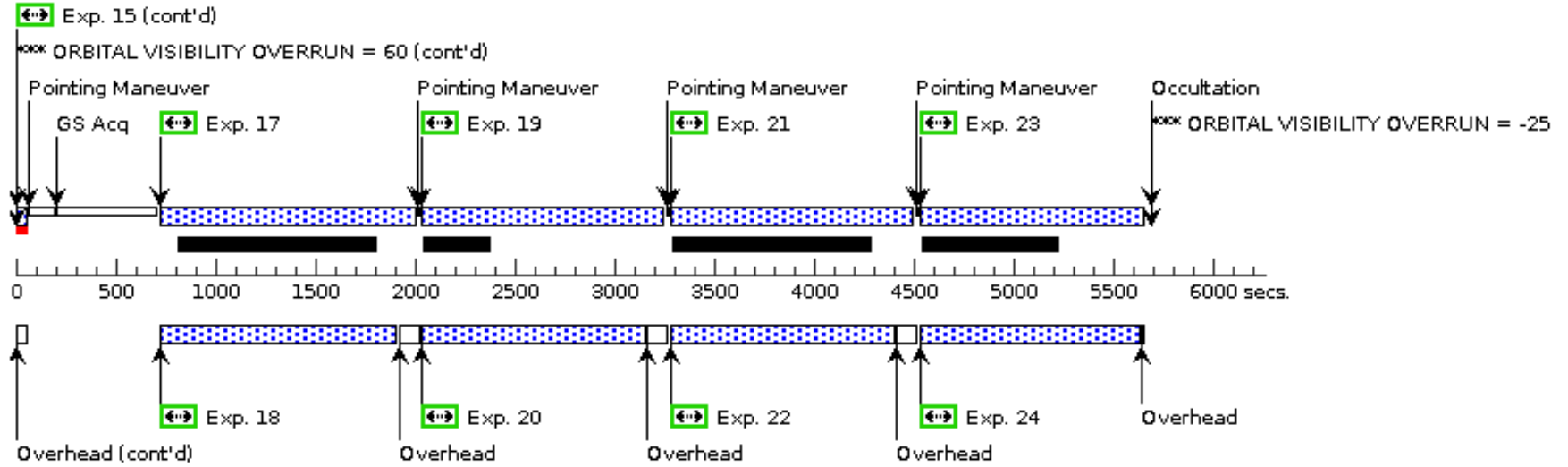
Proposal 17924 - TT-ORI217 (02) - TREASURETROVE: Tracing the Growth of SMBHs and Spheroids through Variability and Transie...

26	ANY	WFC3/UVIS, ACCUM, UVIS	F606W		Sequence 25-32 Non-Int in TT-ORI217 (02) Prime + Parallel Group 25-26 in Sequence 25-32 Non-Int in TT-ORI217 (02)	934 Secs (934 Secs) [==>]	[4]
27	(25) JWST-NEP-TD F	ACS/WFC, ACCUM, WFC	F606W	POS TARG 98.4392 293684564,350.4640 7819723044	Sequence 25-32 Non-Int in TT-ORI217 (02) Prime + Parallel Group 27-28 in Sequence 25-32 Non-Int in TT-ORI217 (02)	860 Secs (860 Secs) [==>]	[4]
28	ANY	WFC3/UVIS, ACCUM, UVIS	F606W		Sequence 25-32 Non-Int in TT-ORI217 (02) Prime + Parallel Group 27-28 in Sequence 25-32 Non-Int in TT-ORI217 (02)	890 Secs (890 Secs) [==>]	[4]
29	(25) JWST-NEP-TD F	ACS/WFC, ACCUM, WFC	F606W	POS TARG 98.5133 0936845639,350.259 1781972305	Sequence 25-32 Non-Int in TT-ORI217 (02) Prime + Parallel Group 29-30 in Sequence 25-32 Non-Int in TT-ORI217 (02)	860 Secs (860 Secs) [==>]	[4]
30	ANY	WFC3/UVIS, ACCUM, UVIS	F606W		Sequence 25-32 Non-Int in TT-ORI217 (02) Prime + Parallel Group 29-30 in Sequence 25-32 Non-Int in TT-ORI217 (02)	890 Secs (890 Secs) [==>]	[4]
31	(25) JWST-NEP-TD F	ACS/WFC, ACCUM, WFC	F606W	POS TARG 98.3652 0936845639,350.172 9481972305	Sequence 25-32 Non-Int in TT-ORI217 (02) Prime + Parallel Group 31-32 in Sequence 25-32 Non-Int in TT-ORI217 (02)	1081 Secs (1081 Secs) [==>]	[4]
32	ANY	WFC3/UVIS, ACCUM, UVIS	F606W		Sequence 25-32 Non-Int in TT-ORI217 (02) Prime + Parallel Group 31-32 in Sequence 25-32 Non-Int in TT-ORI217 (02)	1091 Secs (1091 Secs) [==>]	[4]



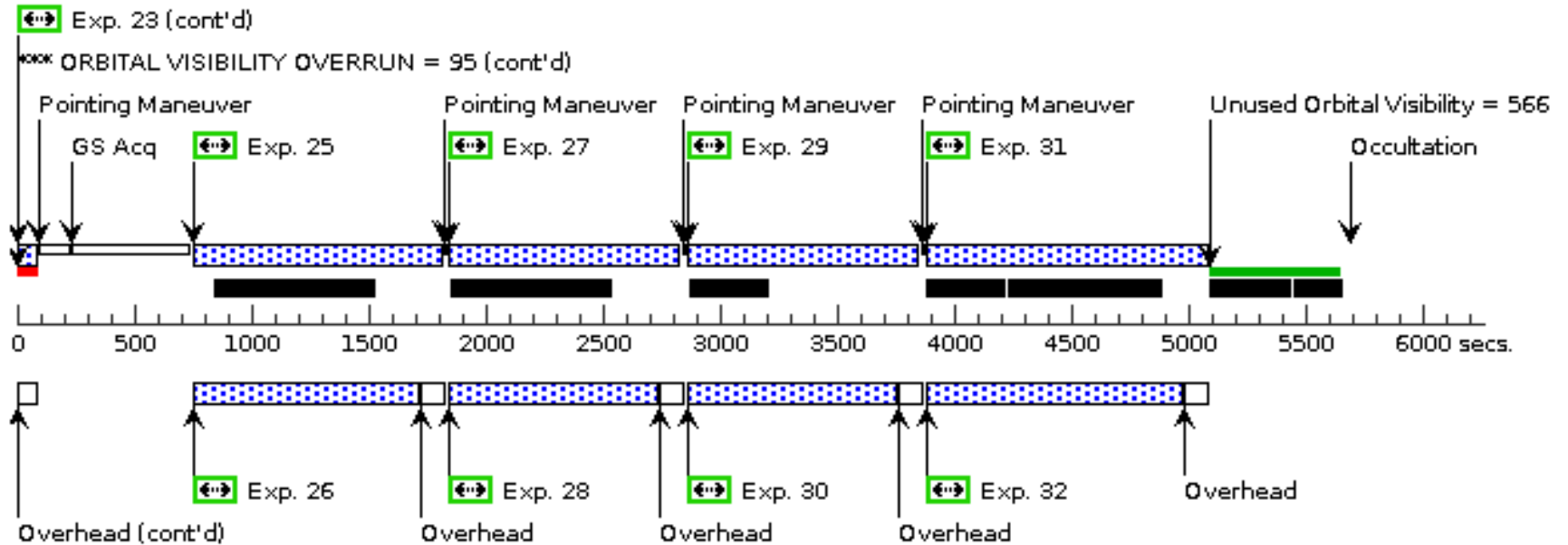
Orbit 3

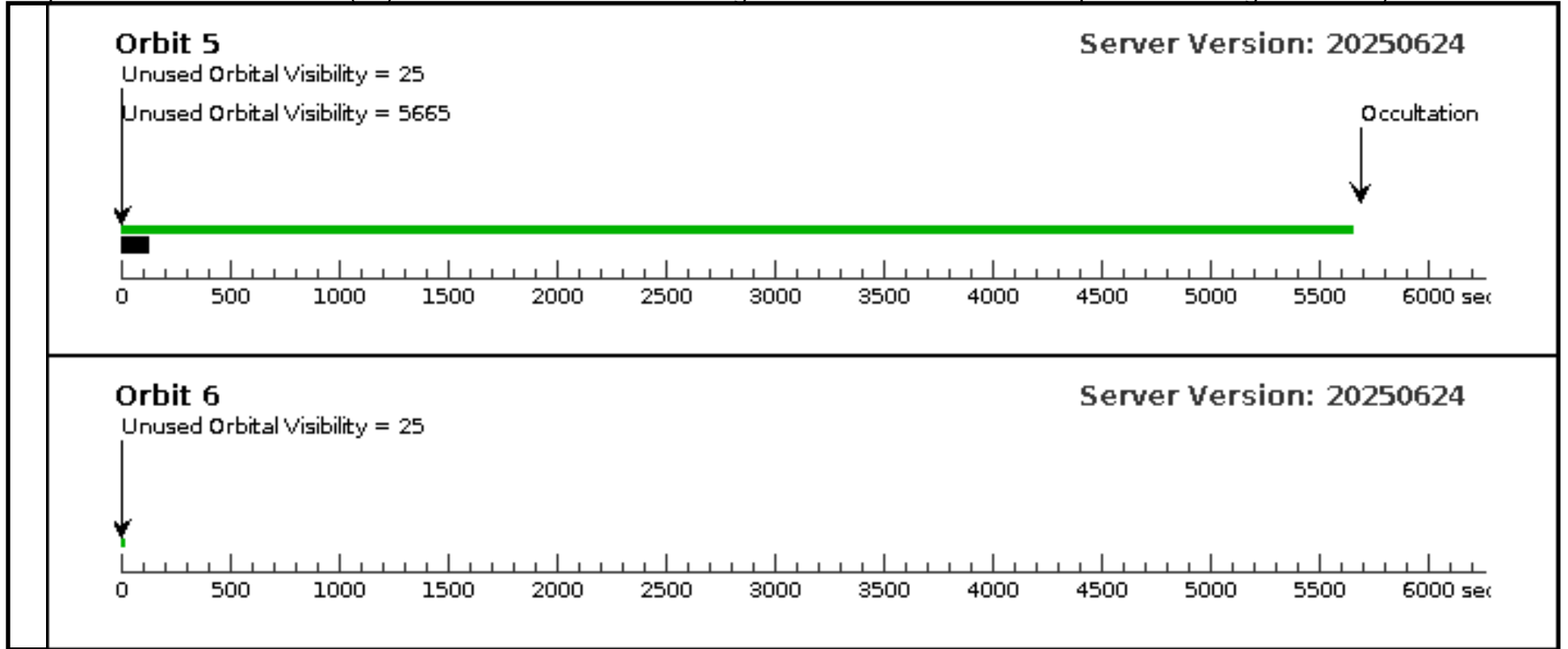
Server Version: 20250624



Orbit 4

Server Version: 20250624





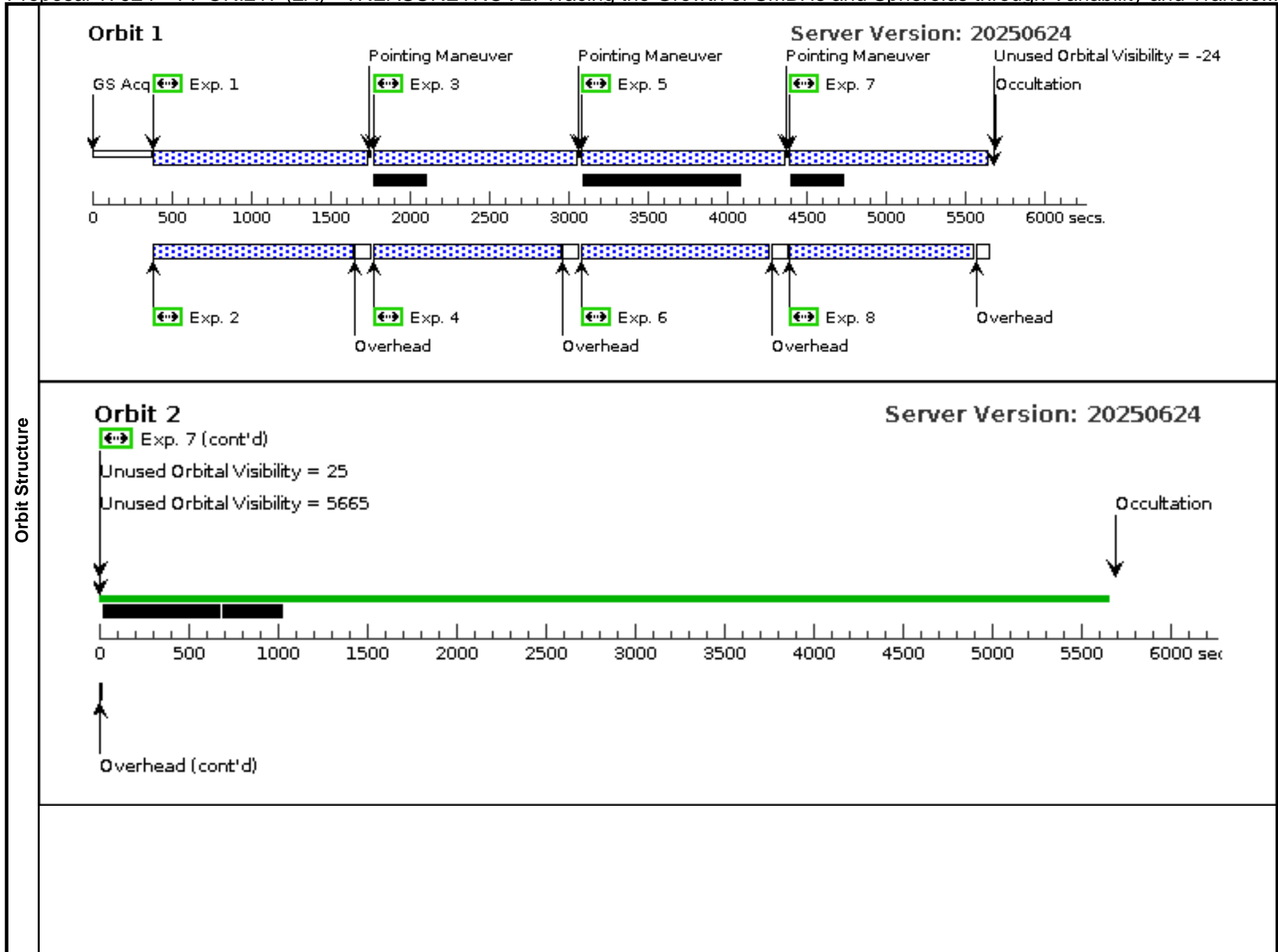
Proposal 17924 - TT-ORI217 (2A) - TREASURETROVE: Tracing the Growth of SMBHs and Spheroids through Variability and Transie...

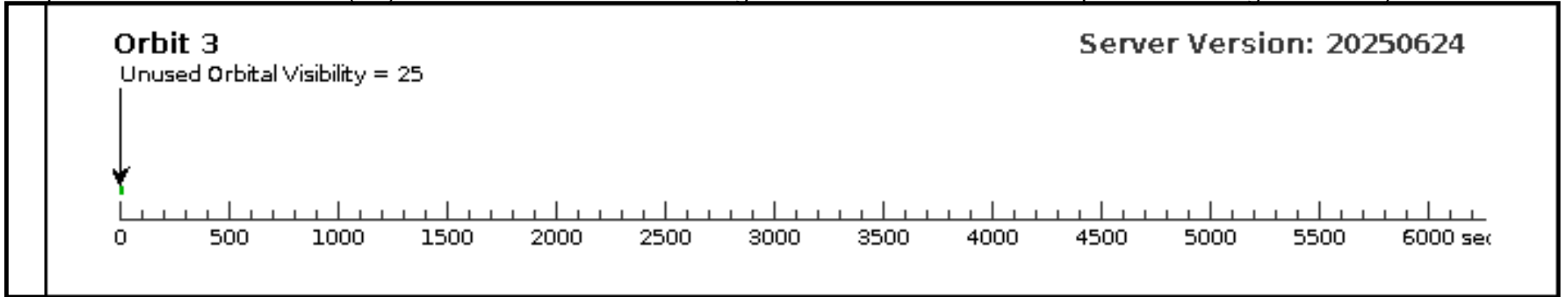
Thu Sep 18 15:03:50 GMT 2025

Visit	Proposal 17924, TT-ORI217 (2A), completed Diagnostic Status: Warning Scientific Instruments: WFC3/UVIS, ACS/WFC Special Requirements: BRIGHT EARTH AVOID 13.5D; ORIENT 217D TO 217 D; BETWEEN 15-APR-2025:00:00:00 AND 15-JUN-2025:00:00:00; VISIBILITY INTERVAL 5690 S																												
	(TT-ORI217 (2A)) Warning (Form): Visibility Interval should be no longer than 1 Orbit (5665.0 secs). (TT-ORI217 (2A)) Warning (Orbit Planner): NO VISIBILITY TABLE CORRESPONDING TO BRIGHT EARTH AVOIDANCE ANGLE (TT-ORI217 (2A)) Warning (Orbit Planner): POS TARG OUTSIDE OF APERTURE (TT-ORI217 (2A)) Warning (Orbit Planner): POS TARG OUTSIDE OF APERTURE (TT-ORI217 (2A)) Warning (Orbit Planner): POS TARG OUTSIDE OF APERTURE (TT-ORI217 (2A)) Warning (Orbit Planner): POS TARG OUTSIDE OF APERTURE (TT-ORI217 (2A)) Informational (Form): The specified Bright Earth Avoidance angle is outside the permitted range.																												
Diagnosics																													
Fixed Targets	<table border="1"> <thead> <tr> <th>#</th> <th>Name</th> <th>Target Coordinates</th> <th>Targ. Coord. Corrections</th> <th>Fluxes</th> <th>Miscellaneous</th> </tr> </thead> <tbody> <tr> <td>(25)</td> <td>JWST-NEP-TDF</td> <td>RA: 17 22 47.8960 (260.6995667d)</td> <td>Epoch of Position: 2000.0</td> <td>V=27.0+/-1.0</td> <td>Reference Frame: ICRS</td> </tr> <tr> <td></td> <td>Alt Name1: WTDF</td> <td>Dec: +65 49 21.54 (65.82265d)</td> <td></td> <td></td> <td></td> </tr> <tr> <td></td> <td></td> <td>Equinox: J2000</td> <td></td> <td></td> <td></td> </tr> </tbody> </table>	#	Name	Target Coordinates	Targ. Coord. Corrections	Fluxes	Miscellaneous	(25)	JWST-NEP-TDF	RA: 17 22 47.8960 (260.6995667d)	Epoch of Position: 2000.0	V=27.0+/-1.0	Reference Frame: ICRS		Alt Name1: WTDF	Dec: +65 49 21.54 (65.82265d)						Equinox: J2000							
	#	Name	Target Coordinates	Targ. Coord. Corrections	Fluxes	Miscellaneous																							
(25)	JWST-NEP-TDF	RA: 17 22 47.8960 (260.6995667d)	Epoch of Position: 2000.0	V=27.0+/-1.0	Reference Frame: ICRS																								
	Alt Name1: WTDF	Dec: +65 49 21.54 (65.82265d)																											
		Equinox: J2000																											
<p><i>Comments: The target field is the central ~5' radius portion of the JWST North Ecliptic Pole (NEP) Time-Domain Field (TDF), for which allocated JWST GTO observations will provide both NIRCcam imaging and NIRISS slitless spectroscopy. This field was defined to be the cleanest >10'x10' area in JWST's northern Continuous Viewing Zone (CVZ), where JWST will conduct a deep extragalactic time-domain survey, with added utility for extreme outer solar system and near-Galactic time-domain science. The JWST-NEP-TDF (or WTDF) is being developed as a *community field*. This HST program will provide contiguous 3-filter coverage in the UV--visible. The specified target coordinates (17:22:47.896, +65:49:21.54) are offset 90" W and ~14"S from the nominal JWST-NEP-TDF field center (17:23:02.55, +65:49:36.0) in Phase I following a detailed evaluation of suitable HST guide stars in the GSCv2.3. The JWST and Chandra field centers will be shifted to match that of HST.</i></p> <p>Category=UNIDENTIFIED Description=[HIGH LATITUDE FIELD, INFRARED EMITTER, OPTICAL EMITTER, ULTRAVIOLET EMITTER]</p>																													

Proposal 17924 - TT-ORI217 (2A) - TREASURETROVE: Tracing the Growth of SMBHs and Spheroids through Variability and Transie...

#	Label	Target	Config,Mode,Aperture	Spectral Els.	Opt. Params.	Special Reqs.	Groups	Exp. Time (Total)/[Actual Dur.]	Orbit
Exposures	1	(25) JWST-NEP-TD F	ACS/WFC, ACCUM, WFC	F606W		POS TARG -96.026 15059196609,135.16 182579648736; GS ACQ SCENARI O BASE103	Sequence 1-8 Non-Int in TT-ORI217 (2A) Prime + Parallel Group 1-2 in Sequence 1-8 Non-Int in TT-ORI217 (2A)	1140 Secs (1140 Secs) [==>]	[1]
	2	ANY	WFC3/UVIS, ACCUM, UVIS	F606W			Sequence 1-8 Non-Int in TT-ORI217 (2A) Prime + Parallel Group 1-2 in Sequence 1-8 Non-Int in TT-ORI217 (2A)	1230 Secs (1230 Secs) [==>]	[1]
	3	(25) JWST-NEP-TD F	ACS/WFC, ACCUM, WFC	F606W		POS TARG -95.878 08059196608,135.24 806579648737	Sequence 1-8 Non-Int in TT-ORI217 (2A) Prime + Parallel Group 3-4 in Sequence 1-8 Non-Int in TT-ORI217 (2A)	1155 Secs (1155 Secs) [==>]	[1]
	4	ANY	WFC3/UVIS, ACCUM, UVIS	F606W			Sequence 1-8 Non-Int in TT-ORI217 (2A) Prime + Parallel Group 3-4 in Sequence 1-8 Non-Int in TT-ORI217 (2A)	1185 Secs (1185 Secs) [==>]	[1]
	5	(25) JWST-NEP-TD F	ACS/WFC, ACCUM, WFC	F606W		POS TARG -95.804 00059196609,134.04 316579648736	Sequence 1-8 Non-Int in TT-ORI217 (2A) Prime + Parallel Group 5-6 in Sequence 1-8 Non-Int in TT-ORI217 (2A)	1155 Secs (1155 Secs) [==>]	[1]
	6	ANY	WFC3/UVIS, ACCUM, UVIS	F606W			Sequence 1-8 Non-Int in TT-ORI217 (2A) Prime + Parallel Group 5-6 in Sequence 1-8 Non-Int in TT-ORI217 (2A)	1185 Secs (1185 Secs) [==>]	[1]
	7	(25) JWST-NEP-TD F	ACS/WFC, ACCUM, WFC	F606W		POS TARG -95.952 10059196609,134.95 693579648736	Sequence 1-8 Non-Int in TT-ORI217 (2A) Prime + Parallel Group 7-8 in Sequence 1-8 Non-Int in TT-ORI217 (2A)	1155 Secs (1155 Secs) [==>]	[1]
	8	ANY	WFC3/UVIS, ACCUM, UVIS	F606W			Sequence 1-8 Non-Int in TT-ORI217 (2A) Prime + Parallel Group 7-8 in Sequence 1-8 Non-Int in TT-ORI217 (2A)	1165 Secs (1165 Secs) [==>]	[1]





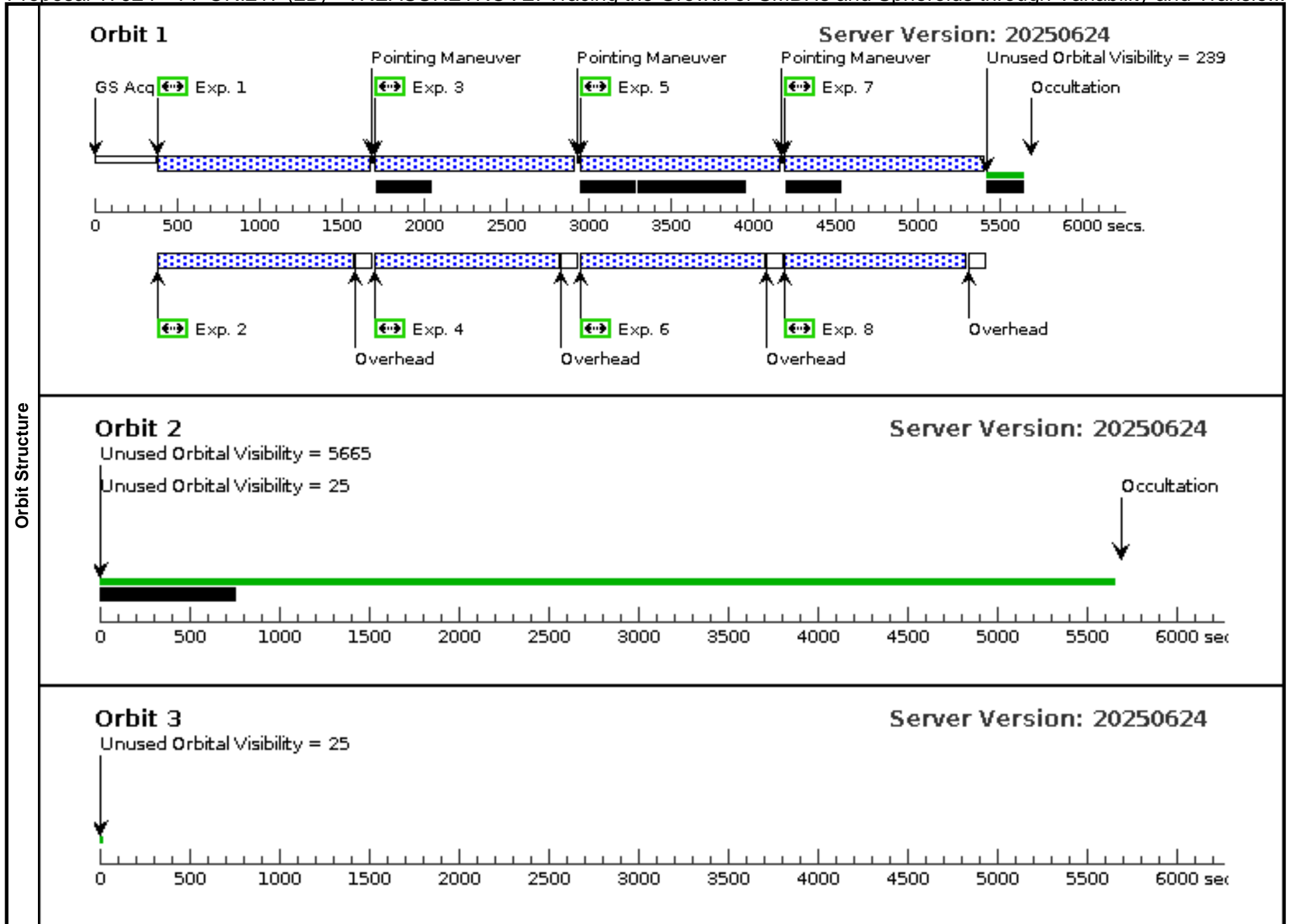
Proposal 17924 - TT-ORI217 (2B) - TREASURETROVE: Tracing the Growth of SMBHs and Spheroids through Variability and Transie...

Thu Sep 18 15:03:50 GMT 2025

Visit	Proposal 17924, TT-ORI217 (2B), completed Diagnostic Status: Warning Scientific Instruments: WFC3/UVIS, ACS/WFC Special Requirements: BRIGHT EARTH AVOID 13.5D; ORIENT 217D TO 217 D; BETWEEN 15-APR-2025:00:00:00 AND 15-JUN-2025:00:00:00; VISIBILITY INTERVAL 5690 S																												
	(TT-ORI217 (2B)) Warning (Form): Visibility Interval should be no longer than 1 Orbit (5665.0 secs). (TT-ORI217 (2B)) Warning (Orbit Planner): NO VISIBILITY TABLE CORRESPONDING TO BRIGHT EARTH AVOIDANCE ANGLE (TT-ORI217 (2B)) Warning (Orbit Planner): POS TARG OUTSIDE OF APERTURE (TT-ORI217 (2B)) Warning (Orbit Planner): POS TARG OUTSIDE OF APERTURE (TT-ORI217 (2B)) Warning (Orbit Planner): POS TARG OUTSIDE OF APERTURE (TT-ORI217 (2B)) Warning (Orbit Planner): POS TARG OUTSIDE OF APERTURE (TT-ORI217 (2B)) Informational (Form): The specified Bright Earth Avoidance angle is outside the permitted range.																												
Diagnosics																													
Fixed Targets	<table border="1"> <thead> <tr> <th>#</th> <th>Name</th> <th>Target Coordinates</th> <th>Targ. Coord. Corrections</th> <th>Fluxes</th> <th>Miscellaneous</th> </tr> </thead> <tbody> <tr> <td>(25)</td> <td>JWST-NEP-TDF</td> <td>RA: 17 22 47.8960 (260.6995667d)</td> <td>Epoch of Position: 2000.0</td> <td>V=27.0+/-1.0</td> <td>Reference Frame: ICRS</td> </tr> <tr> <td></td> <td>Alt Name1: WTDF</td> <td>Dec: +65 49 21.54 (65.82265d)</td> <td></td> <td></td> <td></td> </tr> <tr> <td></td> <td></td> <td>Equinox: J2000</td> <td></td> <td></td> <td></td> </tr> </tbody> </table>	#	Name	Target Coordinates	Targ. Coord. Corrections	Fluxes	Miscellaneous	(25)	JWST-NEP-TDF	RA: 17 22 47.8960 (260.6995667d)	Epoch of Position: 2000.0	V=27.0+/-1.0	Reference Frame: ICRS		Alt Name1: WTDF	Dec: +65 49 21.54 (65.82265d)						Equinox: J2000							
	#	Name	Target Coordinates	Targ. Coord. Corrections	Fluxes	Miscellaneous																							
(25)	JWST-NEP-TDF	RA: 17 22 47.8960 (260.6995667d)	Epoch of Position: 2000.0	V=27.0+/-1.0	Reference Frame: ICRS																								
	Alt Name1: WTDF	Dec: +65 49 21.54 (65.82265d)																											
		Equinox: J2000																											
<p><i>Comments: The target field is the central ~5' radius portion of the JWST North Ecliptic Pole (NEP) Time-Domain Field (TDF), for which allocated JWST GTO observations will provide both NIRCcam imaging and NIRISS slitless spectroscopy. This field was defined to be the cleanest >10'x10' area in JWST's northern Continuous Viewing Zone (CVZ), where JWST will conduct a deep extragalactic time-domain survey, with added utility for extreme outer solar system and near-Galactic time-domain science. The JWST-NEP-TDF (or WTDF) is being developed as a *community field*. This HST program will provide contiguous 3-filter coverage in the UV--visible. The specified target coordinates (17:22:47.896, +65:49:21.54) are offset 90" W and ~14"S from the nominal JWST-NEP-TDF field center (17:23:02.55, +65:49:36.0) in Phase I following a detailed evaluation of suitable HST guide stars in the GSCv2.3. The JWST and Chandra field centers will be shifted to match that of HST.</i></p> <p>Category=UNIDENTIFIED Description=[HIGH LATITUDE FIELD, INFRARED EMITTER, OPTICAL EMITTER, ULTRAVIOLET EMITTER]</p>																													

Proposal 17924 - TT-ORI217 (2B) - TREASURETROVE: Tracing the Growth of SMBHs and Spheroids through Variability and Transie...

#	Label	Target	Config,Mode,Aperture	Spectral Els.	Opt. Params.	Special Reqs.	Groups	Exp. Time (Total)/[Actual Dur.]	Orbit
Exposures	1	(25) JWST-NEP-TD F	ACS/WFC, ACCUM, WFC	F606W		POS TARG 100.015 22320971621,150.56 838448094175; GS ACQ SCENARI O BASE103	Sequence 1-8 Non-Int in TT-ORI217 (2B) Prime + Parallel Group 1-2 in Sequence 1-8 Non-Int in TT-ORI217 (2B)	1082 Secs (1082 Secs) [==>]	[1]
	2	ANY	WFC3/UVIS, ACCUM, UVIS	F606W			Sequence 1-8 Non-Int in TT-ORI217 (2B) Prime + Parallel Group 1-2 in Sequence 1-8 Non-Int in TT-ORI217 (2B)	1162 Secs (1162 Secs) [==>]	[1]
	3	(25) JWST-NEP-TD F	ACS/WFC, ACCUM, WFC	F606W		POS TARG 100.163 29320971622,150.65 462448094175	Sequence 1-8 Non-Int in TT-ORI217 (2B) Prime + Parallel Group 3-4 in Sequence 1-8 Non-Int in TT-ORI217 (2B)	1090 Secs (1090 Secs) [==>]	[1]
	4	ANY	WFC3/UVIS, ACCUM, UVIS	F606W			Sequence 1-8 Non-Int in TT-ORI217 (2B) Prime + Parallel Group 3-4 in Sequence 1-8 Non-Int in TT-ORI217 (2B)	1120 Secs (1120 Secs) [==>]	[1]
	5	(25) JWST-NEP-TD F	ACS/WFC, ACCUM, WFC	F606W		POS TARG 100.237 37320971621,150.44 972448094174	Sequence 1-8 Non-Int in TT-ORI217 (2B) Prime + Parallel Group 5-6 in Sequence 1-8 Non-Int in TT-ORI217 (2B)	1090 Secs (1090 Secs) [==>]	[1]
	6	ANY	WFC3/UVIS, ACCUM, UVIS	F606W			Sequence 1-8 Non-Int in TT-ORI217 (2B) Prime + Parallel Group 5-6 in Sequence 1-8 Non-Int in TT-ORI217 (2B)	1120 Secs (1120 Secs) [==>]	[1]
	7	(25) JWST-NEP-TD F	ACS/WFC, ACCUM, WFC	F606W		POS TARG 100.089 27320971621,150.36 349448094174	Sequence 1-8 Non-Int in TT-ORI217 (2B) Prime + Parallel Group 7-8 in Sequence 1-8 Non-Int in TT-ORI217 (2B)	1090 Secs (1090 Secs) [==>]	[1]
	8	ANY	WFC3/UVIS, ACCUM, UVIS	F606W			Sequence 1-8 Non-Int in TT-ORI217 (2B) Prime + Parallel Group 7-8 in Sequence 1-8 Non-Int in TT-ORI217 (2B)	1100 Secs (1100 Secs) [==>]	[1]



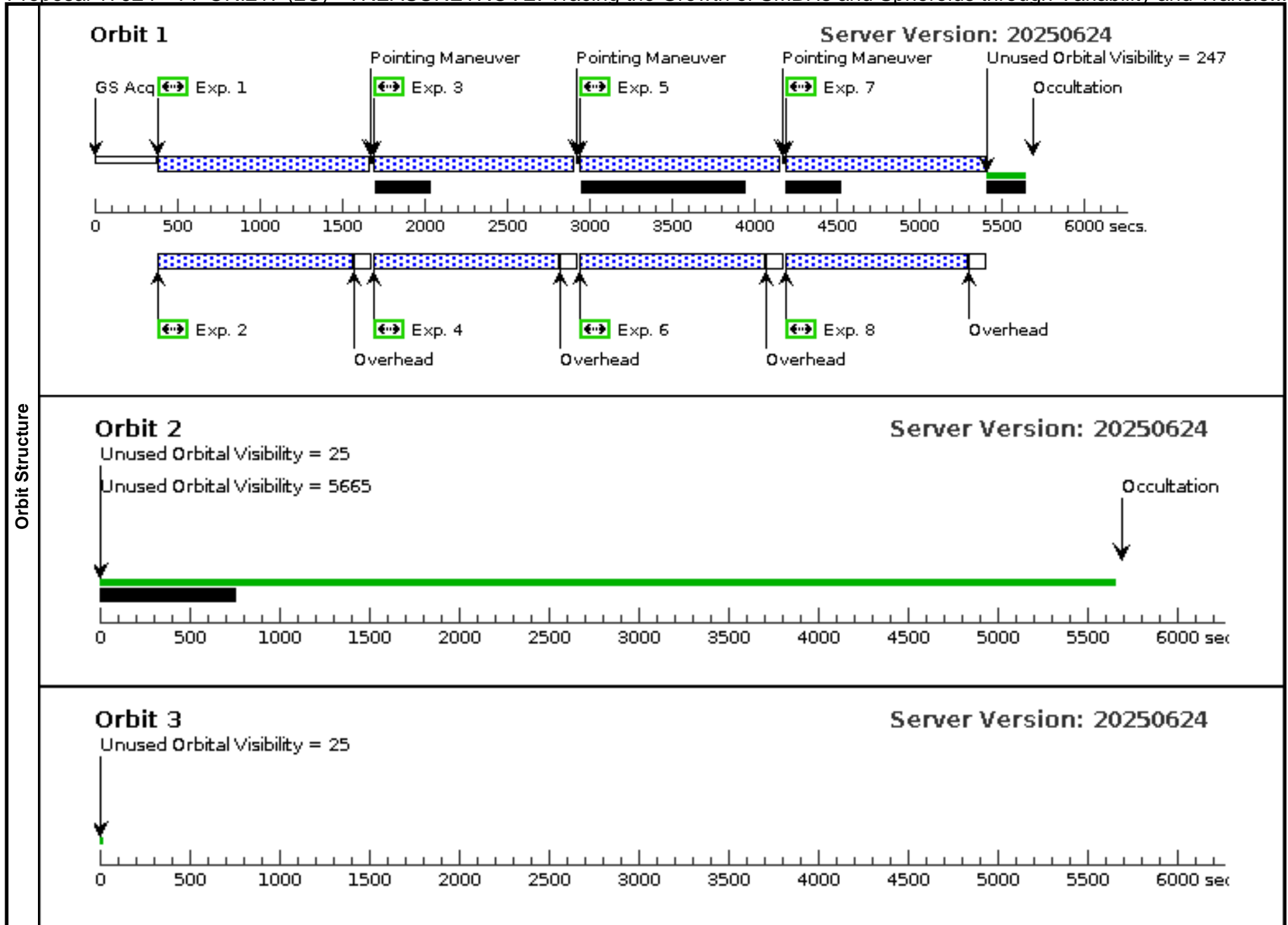
Proposal 17924 - TT-ORI217 (2C) - TREASURETROVE: Tracing the Growth of SMBHs and Spheroids through Variability and Transie...

Thu Sep 18 15:03:50 GMT 2025

Visit	Proposal 17924, TT-ORI217 (2C), completed Diagnostic Status: Warning Scientific Instruments: WFC3/UVIS, ACS/WFC Special Requirements: BRIGHT EARTH AVOID 13.5D; ORIENT 217D TO 217 D; BETWEEN 15-APR-2025:00:00:00 AND 15-JUN-2025:00:00:00; VISIBILITY INTERVAL 5690 S																												
	(TT-ORI217 (2C)) Warning (Form): Visibility Interval should be no longer than 1 Orbit (5665.0 secs). (TT-ORI217 (2C)) Warning (Orbit Planner): NO VISIBILITY TABLE CORRESPONDING TO BRIGHT EARTH AVOIDANCE ANGLE (TT-ORI217 (2C)) Warning (Orbit Planner): POS TARG OUTSIDE OF APERTURE (TT-ORI217 (2C)) Warning (Orbit Planner): POS TARG OUTSIDE OF APERTURE (TT-ORI217 (2C)) Warning (Orbit Planner): POS TARG OUTSIDE OF APERTURE (TT-ORI217 (2C)) Warning (Orbit Planner): POS TARG OUTSIDE OF APERTURE (TT-ORI217 (2C)) Informational (Form): The specified Bright Earth Avoidance angle is outside the permitted range.																												
Diagnosics																													
Fixed Targets	<table border="1"> <thead> <tr> <th>#</th> <th>Name</th> <th>Target Coordinates</th> <th>Targ. Coord. Corrections</th> <th>Fluxes</th> <th>Miscellaneous</th> </tr> </thead> <tbody> <tr> <td>(25)</td> <td>JWST-NEP-TDF</td> <td>RA: 17 22 47.8960 (260.6995667d)</td> <td>Epoch of Position: 2000.0</td> <td>V=27.0+/-1.0</td> <td>Reference Frame: ICRS</td> </tr> <tr> <td></td> <td>Alt Name1: WTDF</td> <td>Dec: +65 49 21.54 (65.82265d)</td> <td></td> <td></td> <td></td> </tr> <tr> <td></td> <td></td> <td>Equinox: J2000</td> <td></td> <td></td> <td></td> </tr> </tbody> </table>	#	Name	Target Coordinates	Targ. Coord. Corrections	Fluxes	Miscellaneous	(25)	JWST-NEP-TDF	RA: 17 22 47.8960 (260.6995667d)	Epoch of Position: 2000.0	V=27.0+/-1.0	Reference Frame: ICRS		Alt Name1: WTDF	Dec: +65 49 21.54 (65.82265d)						Equinox: J2000							
	#	Name	Target Coordinates	Targ. Coord. Corrections	Fluxes	Miscellaneous																							
(25)	JWST-NEP-TDF	RA: 17 22 47.8960 (260.6995667d)	Epoch of Position: 2000.0	V=27.0+/-1.0	Reference Frame: ICRS																								
	Alt Name1: WTDF	Dec: +65 49 21.54 (65.82265d)																											
		Equinox: J2000																											
<p><i>Comments: The target field is the central ~5' radius portion of the JWST North Ecliptic Pole (NEP) Time-Domain Field (TDF), for which allocated JWST GTO observations will provide both NIRCcam imaging and NIRISS slitless spectroscopy. This field was defined to be the cleanest >10'x10' area in JWST's northern Continuous Viewing Zone (CVZ), where JWST will conduct a deep extragalactic time-domain survey, with added utility for extreme outer solar system and near-Galactic time-domain science. The JWST-NEP-TDF (or WTDF) is being developed as a *community field*. This HST program will provide contiguous 3-filter coverage in the UV--visible. The specified target coordinates (17:22:47.896, +65:49:21.54) are offset 90" W and ~14"S from the nominal JWST-NEP-TDF field center (17:23:02.55, +65:49:36.0) in Phase I following a detailed evaluation of suitable HST guide stars in the GSCv2.3. The JWST and Chandra field centers will be shifted to match that of HST.</i></p> <p>Category=UNIDENTIFIED Description=[HIGH LATITUDE FIELD, INFRARED EMITTER, OPTICAL EMITTER, ULTRAVIOLET EMITTER]</p>																													

Proposal 17924 - TT-ORI217 (2C) - TREASURETROVE: Tracing the Growth of SMBHs and Spheroids through Variability and Transie...

#	Label	Target	Config,Mode,Aperture	Spectral Els.	Opt. Params.	Special Reqs.	Groups	Exp. Time (Total)/[Actual Dur.]	Orbit
Exposures	1	(25) JWST-NEP-TD F	ACS/WFC, ACCUM, WFC	F606W		POS TARG -97.770 97992193157,334.97 876252635194; GS ACQ SCENARI O BASE103	Sequence 1-8 Non-Int in TT-ORI217 (2C) Prime + Parallel Group 1-2 in Sequence 1-8 Non-Int in TT-ORI217 (2C)	1074 Secs (1074 Secs) [==>]	[1]
	2	ANY	WFC3/UVIS, ACCUM, UVIS	F606W			Sequence 1-8 Non-Int in TT-ORI217 (2C) Prime + Parallel Group 1-2 in Sequence 1-8 Non-Int in TT-ORI217 (2C)	1154 Secs (1154 Secs) [==>]	[1]
	3	(25) JWST-NEP-TD F	ACS/WFC, ACCUM, WFC	F606W		POS TARG -97.622 90992193157,335.06 50025263519	Sequence 1-8 Non-Int in TT-ORI217 (2C) Prime + Parallel Group 3-4 in Sequence 1-8 Non-Int in TT-ORI217 (2C)	1090 Secs (1090 Secs) [==>]	[1]
	4	ANY	WFC3/UVIS, ACCUM, UVIS	F606W			Sequence 1-8 Non-Int in TT-ORI217 (2C) Prime + Parallel Group 3-4 in Sequence 1-8 Non-Int in TT-ORI217 (2C)	1120 Secs (1120 Secs) [==>]	[1]
	5	(25) JWST-NEP-TD F	ACS/WFC, ACCUM, WFC	F606W		POS TARG -97.548 82992193157,334.86 010252635197	Sequence 1-8 Non-Int in TT-ORI217 (2C) Prime + Parallel Group 5-6 in Sequence 1-8 Non-Int in TT-ORI217 (2C)	1090 Secs (1090 Secs) [==>]	[1]
	6	ANY	WFC3/UVIS, ACCUM, UVIS	F606W			Sequence 1-8 Non-Int in TT-ORI217 (2C) Prime + Parallel Group 5-6 in Sequence 1-8 Non-Int in TT-ORI217 (2C)	1120 Secs (1120 Secs) [==>]	[1]
	7	(25) JWST-NEP-TD F	ACS/WFC, ACCUM, WFC	F606W		POS TARG -97.696 92992193157,334.77 387252635197	Sequence 1-8 Non-Int in TT-ORI217 (2C) Prime + Parallel Group 7-8 in Sequence 1-8 Non-Int in TT-ORI217 (2C)	1090 Secs (1090 Secs) [==>]	[1]
	8	ANY	WFC3/UVIS, ACCUM, UVIS	F606W			Sequence 1-8 Non-Int in TT-ORI217 (2C) Prime + Parallel Group 7-8 in Sequence 1-8 Non-Int in TT-ORI217 (2C)	1100 Secs (1100 Secs) [==>]	[1]



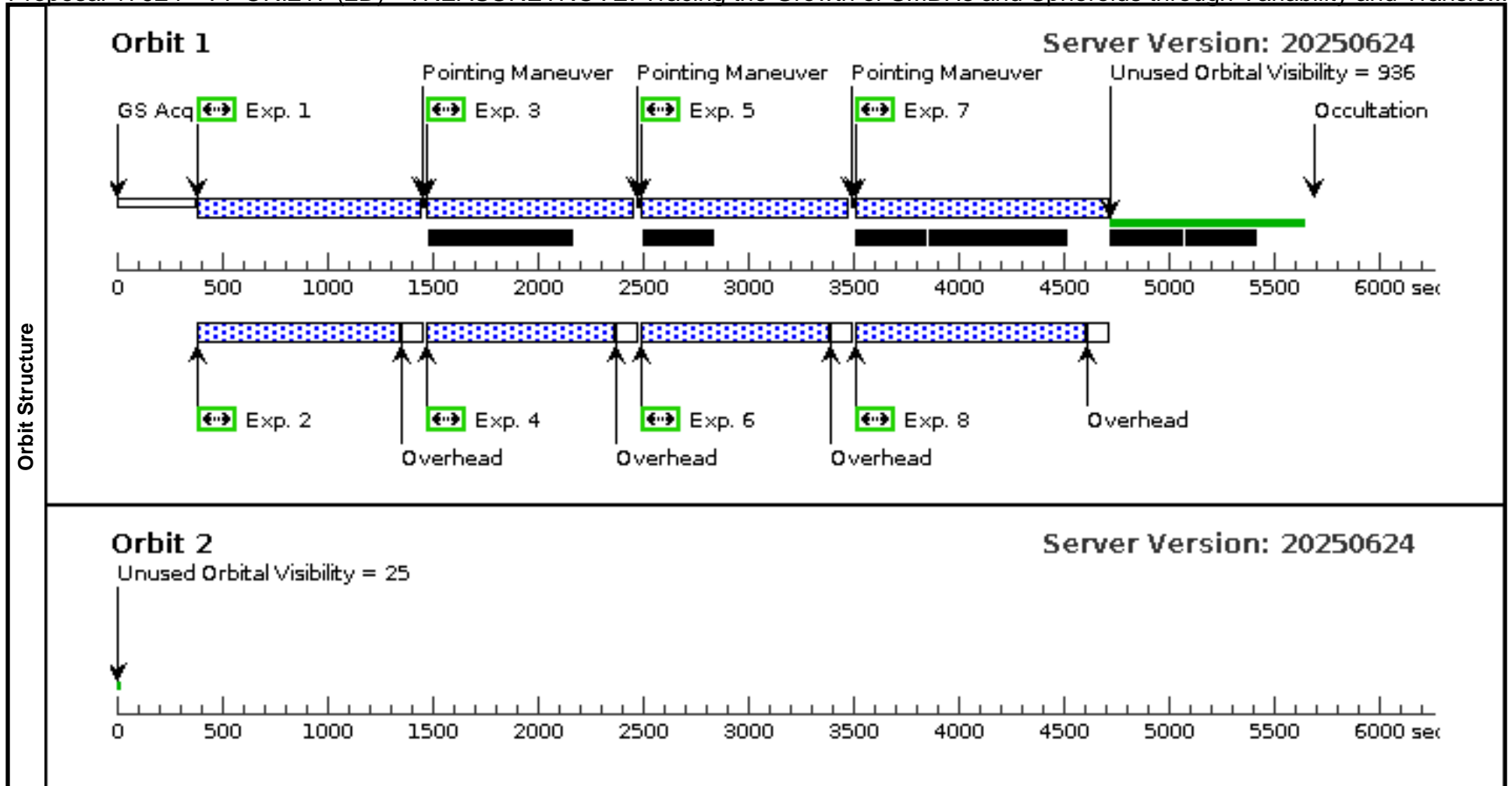
Proposal 17924 - TT-ORI217 (2D) - TREASURETROVE: Tracing the Growth of SMBHs and Spheroids through Variability and Transie...

Thu Sep 18 15:03:50 GMT 2025

Visit	Proposal 17924, TT-ORI217 (2D), completed Diagnostic Status: Warning Scientific Instruments: WFC3/UVIS, ACS/WFC Special Requirements: BRIGHT EARTH AVOID 13.5D; ORIENT 217D TO 217 D; BETWEEN 15-APR-2025:00:00:00 AND 15-JUN-2025:00:00:00; VISIBILITY INTERVAL 5690 S																												
	(TT-ORI217 (2D)) Warning (Form): Visibility Interval should be no longer than 1 Orbit (5665.0 secs). (TT-ORI217 (2D)) Warning (Orbit Planner): NO VISIBILITY TABLE CORRESPONDING TO BRIGHT EARTH AVOIDANCE ANGLE (TT-ORI217 (2D)) Warning (Orbit Planner): POS TARG OUTSIDE OF APERTURE (TT-ORI217 (2D)) Warning (Orbit Planner): POS TARG OUTSIDE OF APERTURE (TT-ORI217 (2D)) Warning (Orbit Planner): POS TARG OUTSIDE OF APERTURE (TT-ORI217 (2D)) Warning (Orbit Planner): POS TARG OUTSIDE OF APERTURE (TT-ORI217 (2D)) Informational (Form): The specified Bright Earth Avoidance angle is outside the permitted range.																												
Diagnosics																													
Fixed Targets	<table border="1"> <thead> <tr> <th>#</th> <th>Name</th> <th>Target Coordinates</th> <th>Targ. Coord. Corrections</th> <th>Fluxes</th> <th>Miscellaneous</th> </tr> </thead> <tbody> <tr> <td>(25)</td> <td>JWST-NEP-TDF</td> <td>RA: 17 22 47.8960 (260.6995667d)</td> <td>Epoch of Position: 2000.0</td> <td>V=27.0+/-1.0</td> <td>Reference Frame: ICRS</td> </tr> <tr> <td></td> <td>Alt Name1: WTDF</td> <td>Dec: +65 49 21.54 (65.82265d)</td> <td></td> <td></td> <td></td> </tr> <tr> <td></td> <td></td> <td>Equinox: J2000</td> <td></td> <td></td> <td></td> </tr> </tbody> </table>	#	Name	Target Coordinates	Targ. Coord. Corrections	Fluxes	Miscellaneous	(25)	JWST-NEP-TDF	RA: 17 22 47.8960 (260.6995667d)	Epoch of Position: 2000.0	V=27.0+/-1.0	Reference Frame: ICRS		Alt Name1: WTDF	Dec: +65 49 21.54 (65.82265d)						Equinox: J2000							
	#	Name	Target Coordinates	Targ. Coord. Corrections	Fluxes	Miscellaneous																							
(25)	JWST-NEP-TDF	RA: 17 22 47.8960 (260.6995667d)	Epoch of Position: 2000.0	V=27.0+/-1.0	Reference Frame: ICRS																								
	Alt Name1: WTDF	Dec: +65 49 21.54 (65.82265d)																											
		Equinox: J2000																											
<p><i>Comments: The target field is the central ~5' radius portion of the JWST North Ecliptic Pole (NEP) Time-Domain Field (TDF), for which allocated JWST GTO observations will provide both NIRCcam imaging and NIRISS slitless spectroscopy. This field was defined to be the cleanest >10'x10' area in JWST's northern Continuous Viewing Zone (CVZ), where JWST will conduct a deep extragalactic time-domain survey, with added utility for extreme outer solar system and near-Galactic time-domain science. The JWST-NEP-TDF (or WTDF) is being developed as a *community field*. This HST program will provide contiguous 3-filter coverage in the UV--visible. The specified target coordinates (17:22:47.896, +65:49:21.54) are offset 90" W and ~14"S from the nominal JWST-NEP-TDF field center (17:23:02.55, +65:49:36.0) in Phase I following a detailed evaluation of suitable HST guide stars in the GSCv2.3. The JWST and Chandra field centers will be shifted to match that of HST.</i></p> <p>Category=UNIDENTIFIED Description=[HIGH LATITUDE FIELD, INFRARED EMITTER, OPTICAL EMITTER, ULTRAVIOLET EMITTER]</p>																													

Proposal 17924 - TT-ORI217 (2D) - TREASURETROVE: Tracing the Growth of SMBHs and Spheroids through Variability and Transie...

#	Label	Target	Config,Mode,Aperture	Spectral Els.	Opt. Params.	Special Reqs.	Groups	Exp. Time (Total)/[Actual Dur.]	Orbit
Exposures	1	(25) JWST-NEP-TD F	ACS/WFC, ACCUM, WFC	F606W		POS TARG 98.2911 5936845639,350.377 83819723046; GS ACQ SCENARI O BASE103	Sequence 1-8 Non-Int in TT-ORI217 (2D) Prime + Parallel Gro up 1-2 in Sequence 1 -8 Non-Int in TT-OR I217 (2D)	854 Secs (854 Secs) [==>]	[1]
	2	ANY	WFC3/UVIS, ACCUM, UVIS	F606W			Sequence 1-8 Non-Int in TT-ORI217 (2D) Prime + Parallel Gro up 1-2 in Sequence 1 -8 Non-Int in TT-OR I217 (2D)	934 Secs (934 Secs) [==>]	[1]
	3	(25) JWST-NEP-TD F	ACS/WFC, ACCUM, WFC	F606W		POS TARG 98.4392 293684564,350.4640 7819723044	Sequence 1-8 Non-Int in TT-ORI217 (2D) Prime + Parallel Gro up 3-4 in Sequence 1 -8 Non-Int in TT-OR I217 (2D)	860 Secs (860 Secs) [==>]	[1]
	4	ANY	WFC3/UVIS, ACCUM, UVIS	F606W			Sequence 1-8 Non-Int in TT-ORI217 (2D) Prime + Parallel Gro up 3-4 in Sequence 1 -8 Non-Int in TT-OR I217 (2D)	890 Secs (890 Secs) [==>]	[1]
	5	(25) JWST-NEP-TD F	ACS/WFC, ACCUM, WFC	F606W		POS TARG 98.5133 0936845639,350.259 1781972305	Sequence 1-8 Non-Int in TT-ORI217 (2D) Prime + Parallel Gro up 5-6 in Sequence 1 -8 Non-Int in TT-OR I217 (2D)	860 Secs (860 Secs) [==>]	[1]
	6	ANY	WFC3/UVIS, ACCUM, UVIS	F606W			Sequence 1-8 Non-Int in TT-ORI217 (2D) Prime + Parallel Gro up 5-6 in Sequence 1 -8 Non-Int in TT-OR I217 (2D)	890 Secs (890 Secs) [==>]	[1]
	7	(25) JWST-NEP-TD F	ACS/WFC, ACCUM, WFC	F606W		POS TARG 98.3652 0936845639,350.172 9481972305	Sequence 1-8 Non-Int in TT-ORI217 (2D) Prime + Parallel Gro up 7-8 in Sequence 1 -8 Non-Int in TT-OR I217 (2D)	1081 Secs (1081 Secs) [==>]	[1]
	8	ANY	WFC3/UVIS, ACCUM, UVIS	F606W			Sequence 1-8 Non-Int in TT-ORI217 (2D) Prime + Parallel Gro up 7-8 in Sequence 1 -8 Non-Int in TT-OR I217 (2D)	1091 Secs (1091 Secs) [==>]	[1]



Proposal 17924 - TT-ORI166 (03) - TREASURETROVE: Tracing the Growth of SMBHs and Spheroids through Variability and Transie...

Thu Sep 18 15:03:50 GMT 2025

Visit	Proposal 17924, TT-ORI166 (03), withdrawn Diagnostic Status: Error Scientific Instruments: WFC3/UVIS, ACS/WFC Special Requirements: BRIGHT EARTH AVOID 13.5D; ORIENT 165D TO 165 D; BETWEEN 01-JUN-2025:00:00:00 AND 01-AUG-2025:00:00:00; VISIBILITY INTERVAL 5690 S					
	(TT-ORI166 (03)) Error (Form): The specified Bright Earth Avoidance angle is outside the permitted range. (TT-ORI166 (03)) Error (Orbit Planner): ORBIT PLANNER SERVER INTERNAL ERROR (TT-ORI166 (03)) Warning (Form): Visibility Interval should be no longer than 1 Orbit (5665.0 secs). (TT-ORI166 (03)) Warning (Orbit Planner): NO VISIBILITY TABLE CORRESPONDING TO BRIGHT EARTH AVOIDANCE ANGLE					
Fixed Targets	# Name Target Coordinates Targ. Coord. Corrections Fluxes Miscellaneous	(26) JWST-NEP-TDF-ORI166-1 Alt Name1: WTDF	RA: 17 22 56.6754 (260.7361475d) Dec: +65 51 58.52 (65.86626d) Equinox: J2000	Epoch of Position: 2000.0	V=27.0+/-1.0	Reference Frame: ICRS
	<i>Comments: The target field is the central ~5' radius portion of the JWST North Ecliptic Pole (NEP) Time-Domain Field (TDF), for which allocated JWST GTO observations will provide both NIRCcam imaging and NIRISS slitless spectroscopy. This field was defined to be the cleanest >10'x10' area in JWST's northern Continuous Viewing Zone (CVZ), where JWST will conduct a deep extragalactic time-domain survey, with added utility for extreme outer solar system and near-Galactic time-domain science. The JWST-NEP-TDF (or WTDF) is being developed as a *community field*. This HST program will provide contiguous 3-filter coverage in the UV-visible. The specified target coordinates (17:22:47.896, +65:49:21.54) are offset 90" W and ~14"S from the nominal JWST-NEP-TDF field center (17:23:02.55, +65:49:36.0) in Phase I following a detailed evaluation of suitable HST guide stars in the GSCv2.3. The JWST and Chandra field centers will be shifted to match that of HST.</i> Category=UNIDENTIFIED Description=[HIGH LATITUDE FIELD, INFRARED EMITTER, OPTICAL EMITTER, ULTRAVIOLET EMITTER]					
	(27) JWST-NEP-TDF-ORI166-2 Alt Name1: WTDF	RA: 17 22 25.2846 (260.6053525d) Dec: +65 51 17.44 (65.85484d) Equinox: J2000	Epoch of Position: 2000.0	V=27.0+/-1.0	Reference Frame: ICRS	
	<i>Comments: The target field is the central ~5' radius portion of the JWST North Ecliptic Pole (NEP) Time-Domain Field (TDF), for which allocated JWST GTO observations will provide both NIRCcam imaging and NIRISS slitless spectroscopy. This field was defined to be the cleanest >10'x10' area in JWST's northern Continuous Viewing Zone (CVZ), where JWST will conduct a deep extragalactic time-domain survey, with added utility for extreme outer solar system and near-Galactic time-domain science. The JWST-NEP-TDF (or WTDF) is being developed as a *community field*. This HST program will provide contiguous 3-filter coverage in the UV-visible. The specified target coordinates (17:22:47.896, +65:49:21.54) are offset 90" W and ~14"S from the nominal JWST-NEP-TDF field center (17:23:02.55, +65:49:36.0) in Phase I following a detailed evaluation of suitable HST guide stars in the GSCv2.3. The JWST and Chandra field centers will be shifted to match that of HST.</i> Category=UNIDENTIFIED Description=[HIGH LATITUDE FIELD, INFRARED EMITTER, OPTICAL EMITTER, ULTRAVIOLET EMITTER]					
	(28) JWST-NEP-TDF-ORI166-3 Alt Name1: WTDF	RA: 17 22 47.7195 (260.6988313d) Dec: +65 55 10.63 (65.91962d) Equinox: J2000	Epoch of Position: 2000.0	V=27.0+/-1.0	Reference Frame: ICRS	
<i>Comments: The target field is the central ~5' radius portion of the JWST North Ecliptic Pole (NEP) Time-Domain Field (TDF), for which allocated JWST GTO observations will provide both NIRCcam imaging and NIRISS slitless spectroscopy. This field was defined to be the cleanest >10'x10' area in JWST's northern Continuous Viewing Zone (CVZ), where JWST will conduct a deep extragalactic time-domain survey, with added utility for extreme outer solar system and near-Galactic time-domain science. The JWST-NEP-TDF (or WTDF) is being developed as a *community field*. This HST program will provide contiguous 3-filter coverage in the UV-visible. The specified target coordinates (17:22:47.896, +65:49:21.54) are offset 90" W and ~14"S from the nominal JWST-NEP-TDF field center (17:23:02.55, +65:49:36.0) in Phase I following a detailed evaluation of suitable HST guide stars in the GSCv2.3. The JWST and Chandra field centers will be shifted to match that of HST.</i> Category=UNIDENTIFIED Description=[HIGH LATITUDE FIELD, INFRARED EMITTER, OPTICAL EMITTER, ULTRAVIOLET EMITTER]						
(29) JWST-NEP-TDF-ORI166-4 Alt Name1: WTDF	RA: 17 22 16.2648 (260.5677700d) Dec: +65 54 29.38 (65.90816d) Equinox: J2000	Epoch of Position: 2000.0	V=27.0+/-1.0	Reference Frame: ICRS		
<i>Comments: The target field is the central ~5' radius portion of the JWST North Ecliptic Pole (NEP) Time-Domain Field (TDF), for which allocated JWST GTO observations will provide both NIRCcam imaging and NIRISS slitless spectroscopy. This field was defined to be the cleanest >10'x10' area in JWST's northern Continuous Viewing Zone (CVZ), where JWST will conduct a deep extragalactic time-domain survey, with added utility for extreme outer solar system and near-Galactic time-domain science. The JWST-NEP-TDF (or WTDF) is being developed as a *community field*. This HST program will provide contiguous 3-filter coverage in the UV-visible. The specified target coordinates (17:22:47.896, +65:49:21.54) are offset 90" W and ~14"S from the nominal JWST-NEP-TDF field center (17:23:02.55, +65:49:36.0) in Phase I following a detailed evaluation of suitable HST guide stars in the GSCv2.3. The JWST and Chandra field centers will be shifted to match that of HST.</i> Category=UNIDENTIFIED Description=[HIGH LATITUDE FIELD, INFRARED EMITTER, OPTICAL EMITTER, ULTRAVIOLET EMITTER]						

Proposal 17924 - TT-ORI166 (03) - TREASURERETROVE: Tracing the Growth of SMBHs and Spheroids through Variability and Transie...

#	Label	Target	Config,Mode,Aperture	Spectral Els.	Opt. Params.	Special Reqs.	Groups	Exp. Time (Total)/[Actual Dur.]	Orbit
Exposures	1	(26) JWST-NEP-TD F-ORI166-1	ACS/WFC, ACCUM, WFC	F606W		POS TARG 0.0; GS ACQ SCENARI O BASE103	Sequence 1-8 Non-Int in TT-ORI166 (03) Prime + Parallel Group 1-2 in Sequence 1-8 Non-Int in TT-ORI166 (03)	1140 Secs (1140 Secs) [==>]	[1]
	2	ANY	WFC3/UVIS, ACCUM, UVIS	F606W			Sequence 1-8 Non-Int in TT-ORI166 (03) Prime + Parallel Group 1-2 in Sequence 1-8 Non-Int in TT-ORI166 (03)	1230 Secs (1230 Secs) [==>]	[1]
	3	(26) JWST-NEP-TD F-ORI166-1	ACS/WFC, ACCUM, WFC	F606W		POS TARG 0.14807, 0.08624	Sequence 1-8 Non-Int in TT-ORI166 (03) Prime + Parallel Group 3-4 in Sequence 1-8 Non-Int in TT-ORI166 (03)	1155 Secs (1155 Secs) [==>]	[1]
	4	ANY	WFC3/UVIS, ACCUM, UVIS	F606W			Sequence 1-8 Non-Int in TT-ORI166 (03) Prime + Parallel Group 3-4 in Sequence 1-8 Non-Int in TT-ORI166 (03)	1185 Secs (1185 Secs) [==>]	[1]
	5	(26) JWST-NEP-TD F-ORI166-1	ACS/WFC, ACCUM, WFC	F606W		POS TARG 0.22215, -0.11866	Sequence 1-8 Non-Int in TT-ORI166 (03) Prime + Parallel Group 5-6 in Sequence 1-8 Non-Int in TT-ORI166 (03)	1155 Secs (1155 Secs) [==>]	[1]
	6	ANY	WFC3/UVIS, ACCUM, UVIS	F606W			Sequence 1-8 Non-Int in TT-ORI166 (03) Prime + Parallel Group 5-6 in Sequence 1-8 Non-Int in TT-ORI166 (03)	1185 Secs (1185 Secs) [==>]	[1]
	7	(26) JWST-NEP-TD F-ORI166-1	ACS/WFC, ACCUM, WFC	F606W		POS TARG 0.07405, -0.20489	Sequence 1-8 Non-Int in TT-ORI166 (03) Prime + Parallel Group 7-8 in Sequence 1-8 Non-Int in TT-ORI166 (03)	1155 Secs (1155 Secs) [==>]	[1]
	8	ANY	WFC3/UVIS, ACCUM, UVIS	F606W			Sequence 1-8 Non-Int in TT-ORI166 (03) Prime + Parallel Group 7-8 in Sequence 1-8 Non-Int in TT-ORI166 (03)	1165 Secs (1165 Secs) [==>]	[1]
	9	(27) JWST-NEP-TD F-ORI166-2	ACS/WFC, ACCUM, WFC	F606W		POS TARG 0.0; GS ACQ SCENARI O BASE103	Sequence 9-16 Non-Int in TT-ORI166 (03) Prime + Parallel Group 9-10 in Sequence 9-16 Non-Int in TT-ORI166 (03)	1082 Secs (1082 Secs) [==>]	[2]

Proposal 17924 - TT-ORI166 (03) - TREASURETROVE: Tracing the Growth of SMBHs and Spheroids through Variability and Transie...

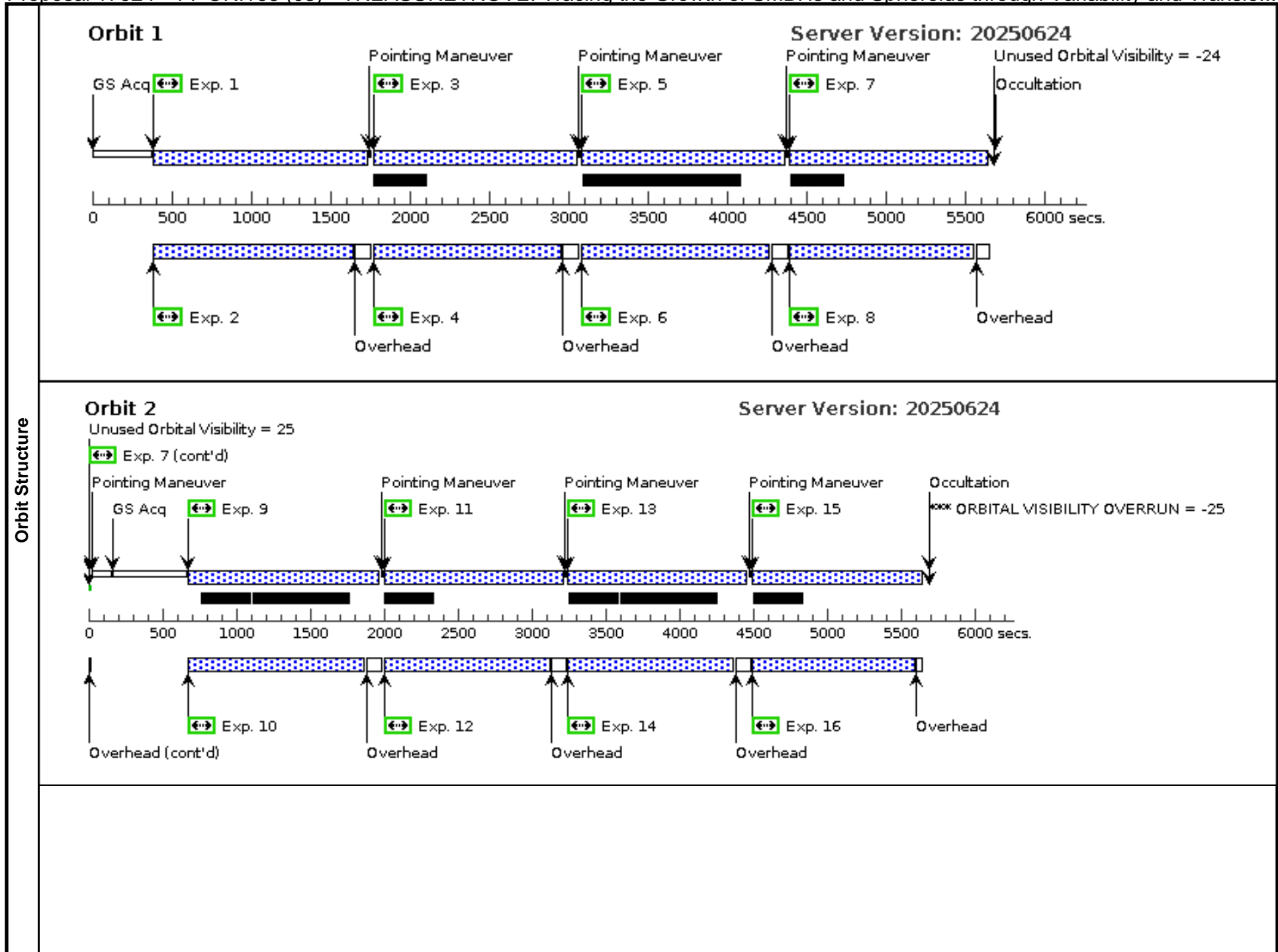
10	ANY	WFC3/UVIS, ACCUM, UVIS	F606W		Sequence 9-16 Non-Int in TT-ORI166 (03) Prime + Parallel Group 9-10 in Sequence 9-16 Non-Int in TT-ORI166 (03)	1162 Secs (1162 Secs) [==>]	[2]
11	(27) JWST-NEP-TD F-ORI166-2	ACS/WFC, ACCUM, WFC	F606W	POS TARG 0.14807, 0.08624	Sequence 9-16 Non-Int in TT-ORI166 (03) Prime + Parallel Group 11-12 in Sequence 9-16 Non-Int in TT-ORI166 (03)	1090 Secs (1090 Secs) [==>]	[2]
12	ANY	WFC3/UVIS, ACCUM, UVIS	F606W		Sequence 9-16 Non-Int in TT-ORI166 (03) Prime + Parallel Group 11-12 in Sequence 9-16 Non-Int in TT-ORI166 (03)	1120 Secs (1120 Secs) [==>]	[2]
13	(27) JWST-NEP-TD F-ORI166-2	ACS/WFC, ACCUM, WFC	F606W	POS TARG 0.22215, -0.11866	Sequence 9-16 Non-Int in TT-ORI166 (03) Prime + Parallel Group 13-14 in Sequence 9-16 Non-Int in TT-ORI166 (03)	1090 Secs (1090 Secs) [==>]	[2]
14	ANY	WFC3/UVIS, ACCUM, UVIS	F606W		Sequence 9-16 Non-Int in TT-ORI166 (03) Prime + Parallel Group 13-14 in Sequence 9-16 Non-Int in TT-ORI166 (03)	1120 Secs (1120 Secs) [==>]	[2]
15	(27) JWST-NEP-TD F-ORI166-2	ACS/WFC, ACCUM, WFC	F606W	POS TARG 0.07405, -0.20489	Sequence 9-16 Non-Int in TT-ORI166 (03) Prime + Parallel Group 15-16 in Sequence 9-16 Non-Int in TT-ORI166 (03)	1090 Secs (1090 Secs) [==>]	[2]
16	ANY	WFC3/UVIS, ACCUM, UVIS	F606W		Sequence 9-16 Non-Int in TT-ORI166 (03) Prime + Parallel Group 15-16 in Sequence 9-16 Non-Int in TT-ORI166 (03)	1100 Secs (1100 Secs) [==>]	[2]
17	(28) JWST-NEP-TD F-ORI166-3	ACS/WFC, ACCUM, WFC	F606W	POS TARG 0.0; GS ACQ SCENARIO BASE103	Sequence 17-24 Non-Int in TT-ORI166 (03) Prime + Parallel Group 17-18 in Sequence 17-24 Non-Int in TT-ORI166 (03)	1074 Secs (1074 Secs) [==>]	[3]

Proposal 17924 - TT-ORI166 (03) - TREASURETROVE: Tracing the Growth of SMBHs and Spheroids through Variability and Transie...

18	ANY	WFC3/UVIS, ACCUM, UVIS	F606W		Sequence 17-24 Non-Int in TT-ORI166 (03) Prime + Parallel Group 17-18 in Sequence 17-24 Non-Int in TT-ORI166 (03)	1154 Secs (1154 Secs) [==>]	[3]
19	(28) JWST-NEP-TD F-ORI166-3	ACS/WFC, ACCUM, WFC	F606W	POS TARG 0.14807, 0.08624	Sequence 17-24 Non-Int in TT-ORI166 (03) Prime + Parallel Group 19-20 in Sequence 17-24 Non-Int in TT-ORI166 (03)	1090 Secs (1090 Secs) [==>]	[3]
20	ANY	WFC3/UVIS, ACCUM, UVIS	F606W		Sequence 17-24 Non-Int in TT-ORI166 (03) Prime + Parallel Group 19-20 in Sequence 17-24 Non-Int in TT-ORI166 (03)	1120 Secs (1120 Secs) [==>]	[3]
21	(28) JWST-NEP-TD F-ORI166-3	ACS/WFC, ACCUM, WFC	F606W	POS TARG 0.22215, -0.11866	Sequence 17-24 Non-Int in TT-ORI166 (03) Prime + Parallel Group 21-22 in Sequence 17-24 Non-Int in TT-ORI166 (03)	1090 Secs (1090 Secs) [==>]	[3]
22	ANY	WFC3/UVIS, ACCUM, UVIS	F606W		Sequence 17-24 Non-Int in TT-ORI166 (03) Prime + Parallel Group 21-22 in Sequence 17-24 Non-Int in TT-ORI166 (03)	1120 Secs (1120 Secs) [==>]	[3]
23	(28) JWST-NEP-TD F-ORI166-3	ACS/WFC, ACCUM, WFC	F606W	POS TARG 0.07405, -0.20489	Sequence 17-24 Non-Int in TT-ORI166 (03) Prime + Parallel Group 23-24 in Sequence 17-24 Non-Int in TT-ORI166 (03)	1090 Secs (1090 Secs) [==>]	[3]
24	ANY	WFC3/UVIS, ACCUM, UVIS	F606W		Sequence 17-24 Non-Int in TT-ORI166 (03) Prime + Parallel Group 23-24 in Sequence 17-24 Non-Int in TT-ORI166 (03)	1100 Secs (1100 Secs) [==>]	[3]
25	(29) JWST-NEP-TD F-ORI166-4	ACS/WFC, ACCUM, WFC	F606W	POS TARG 0.0; GS ACQ SCENARIO BASE103	Sequence 25-32 Non-Int in TT-ORI166 (03) Prime + Parallel Group 25-26 in Sequence 25-32 Non-Int in TT-ORI166 (03)	854 Secs (854 Secs) [==>]	[4]

Proposal 17924 - TT-ORI166 (03) - TREASURETROVE: Tracing the Growth of SMBHs and Spheroids through Variability and Transie...

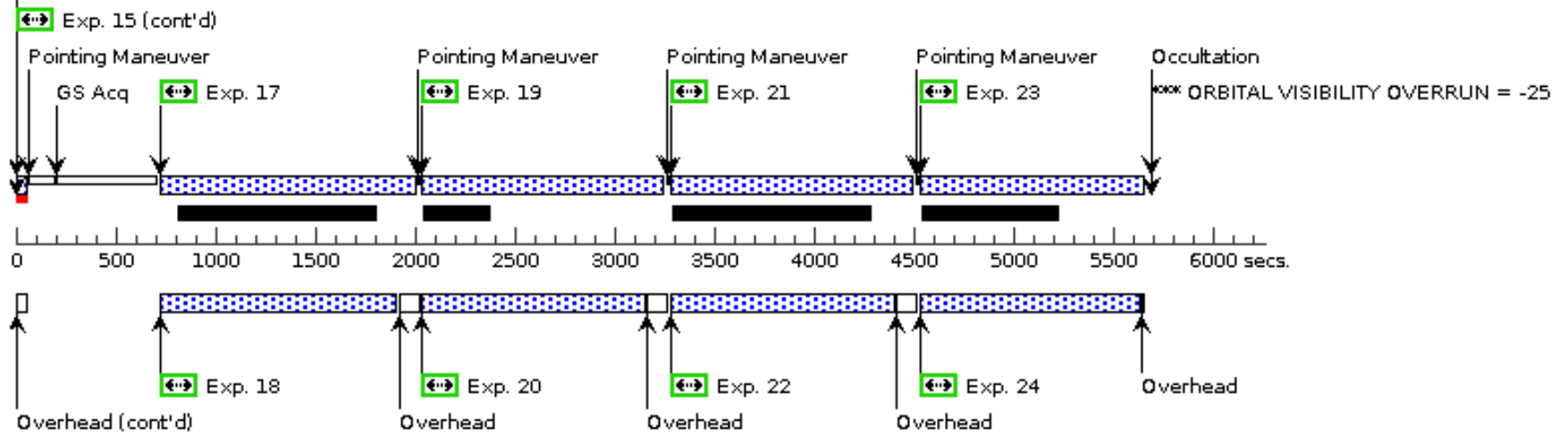
26	ANY	WFC3/UVIS, ACCUM, UVIS	F606W		Sequence 25-32 Non-Int in TT-ORI166 (03) Prime + Parallel Group 25-26 in Sequence 25-32 Non-Int in TT-ORI166 (03)	934 Secs (934 Secs) [==>]	[4]
27	(29) JWST-NEP-TD F-ORI166-4	ACS/WFC, ACCUM, WFC	F606W	POS TARG 0.14807, 0.08624	Sequence 25-32 Non-Int in TT-ORI166 (03) Prime + Parallel Group 27-28 in Sequence 25-32 Non-Int in TT-ORI166 (03)	860 Secs (860 Secs) [==>]	[4]
28	ANY	WFC3/UVIS, ACCUM, UVIS	F606W		Sequence 25-32 Non-Int in TT-ORI166 (03) Prime + Parallel Group 27-28 in Sequence 25-32 Non-Int in TT-ORI166 (03)	890 Secs (890 Secs) [==>]	[4]
29	(29) JWST-NEP-TD F-ORI166-4	ACS/WFC, ACCUM, WFC	F606W	POS TARG 0.22215, -0.11866	Sequence 25-32 Non-Int in TT-ORI166 (03) Prime + Parallel Group 29-30 in Sequence 25-32 Non-Int in TT-ORI166 (03)	860 Secs (860 Secs) [==>]	[4]
30	ANY	WFC3/UVIS, ACCUM, UVIS	F606W		Sequence 25-32 Non-Int in TT-ORI166 (03) Prime + Parallel Group 29-30 in Sequence 25-32 Non-Int in TT-ORI166 (03)	890 Secs (890 Secs) [==>]	[4]
31	(29) JWST-NEP-TD F-ORI166-4	ACS/WFC, ACCUM, WFC	F606W	POS TARG 0.07405, -0.20489	Sequence 25-32 Non-Int in TT-ORI166 (03) Prime + Parallel Group 31-32 in Sequence 25-32 Non-Int in TT-ORI166 (03)	1081 Secs (1081 Secs) [==>]	[4]
32	ANY	WFC3/UVIS, ACCUM, UVIS	F606W		Sequence 25-32 Non-Int in TT-ORI166 (03) Prime + Parallel Group 31-32 in Sequence 25-32 Non-Int in TT-ORI166 (03)	1091 Secs (1091 Secs) [==>]	[4]



Orbit 3

Server Version: 20250624

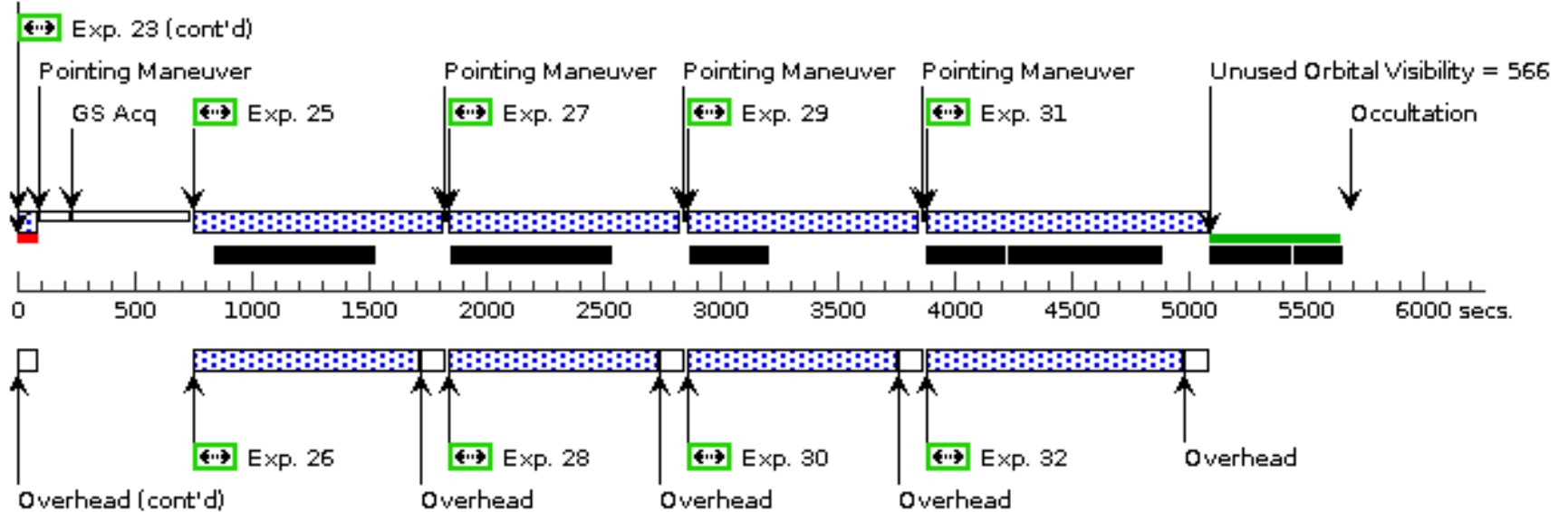
*** ORBITAL VISIBILITY OVERRUN = 60 (cont'd)

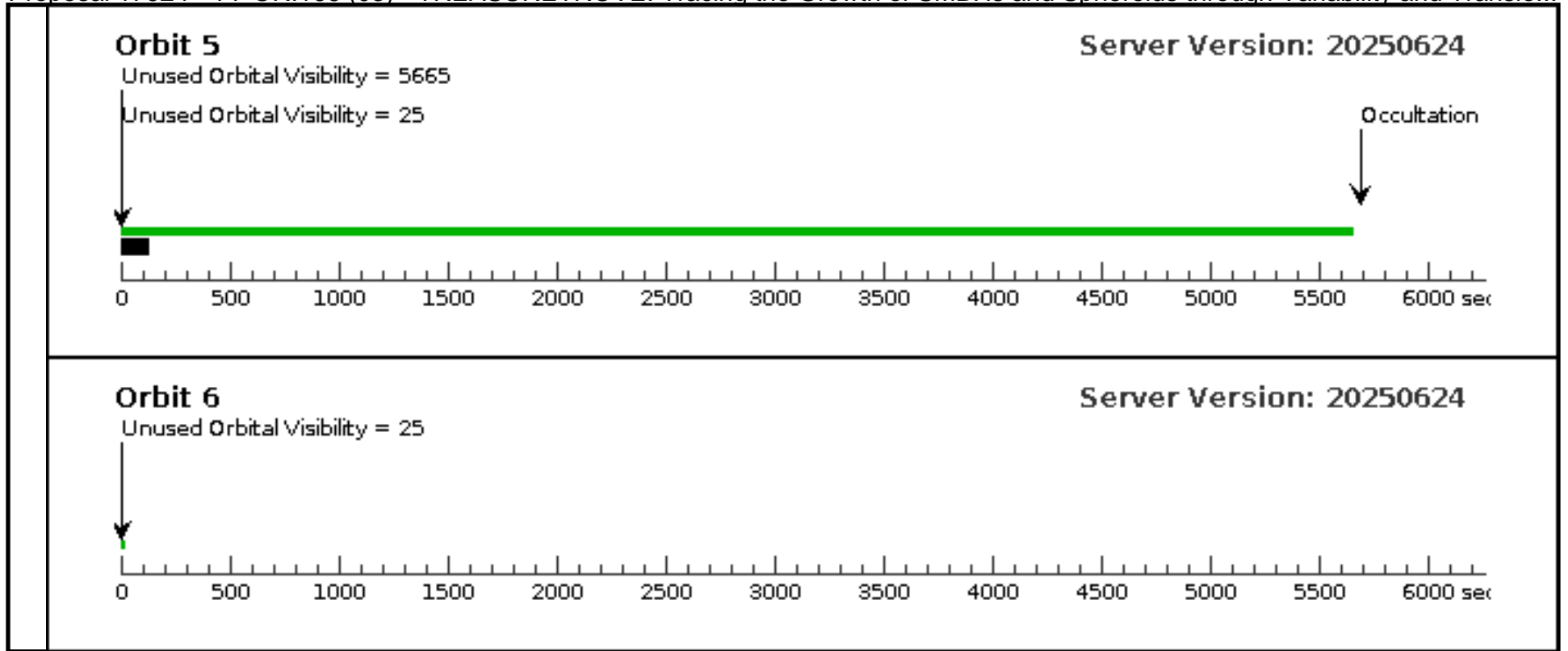


Orbit 4

Server Version: 20250624

*** ORBITAL VISIBILITY OVERRUN = 95 (cont'd)





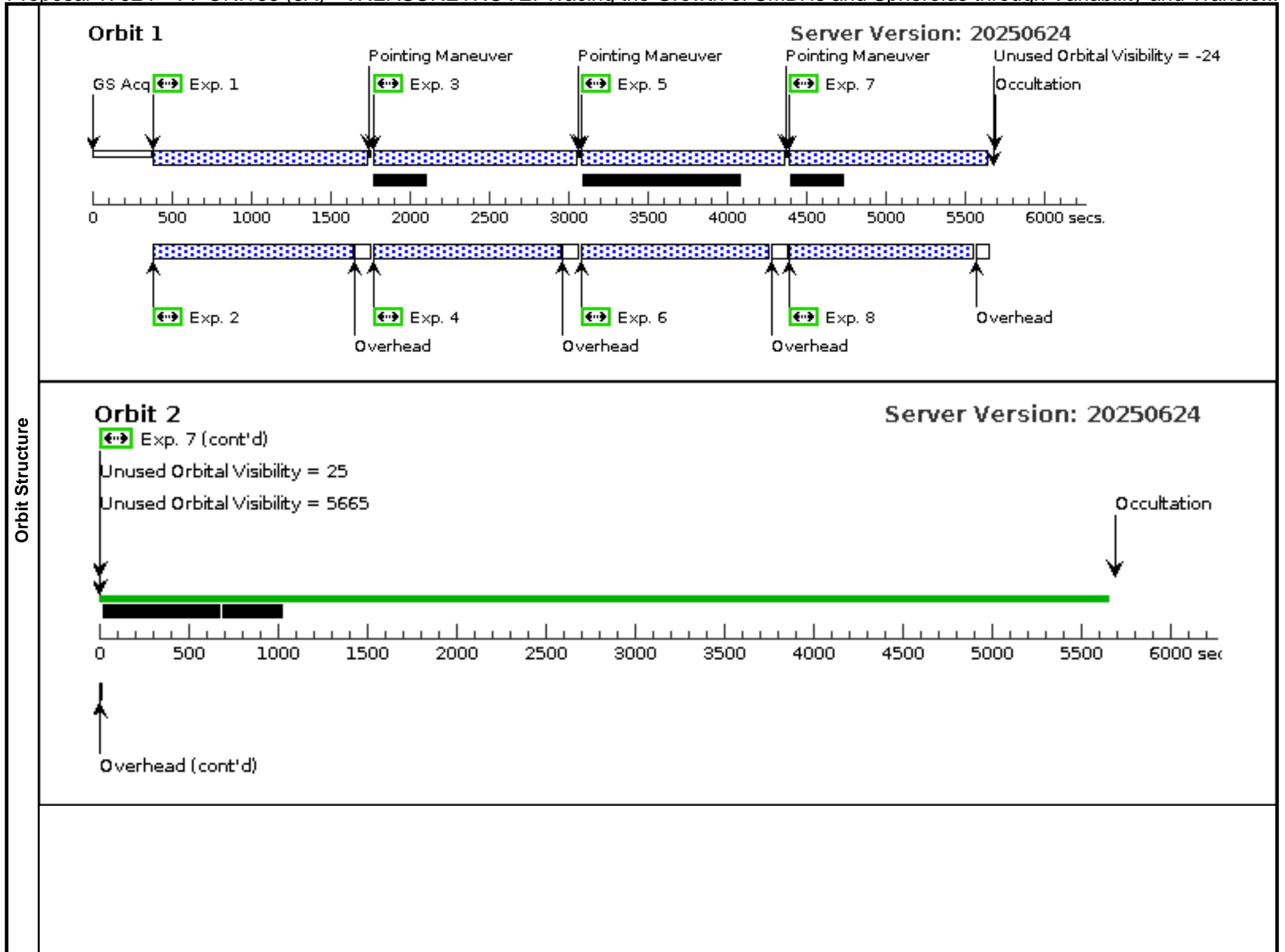
Proposal 17924 - TT-ORI166 (3A) - TREASURETROVE: Tracing the Growth of SMBHs and Spheroids through Variability and Transie...

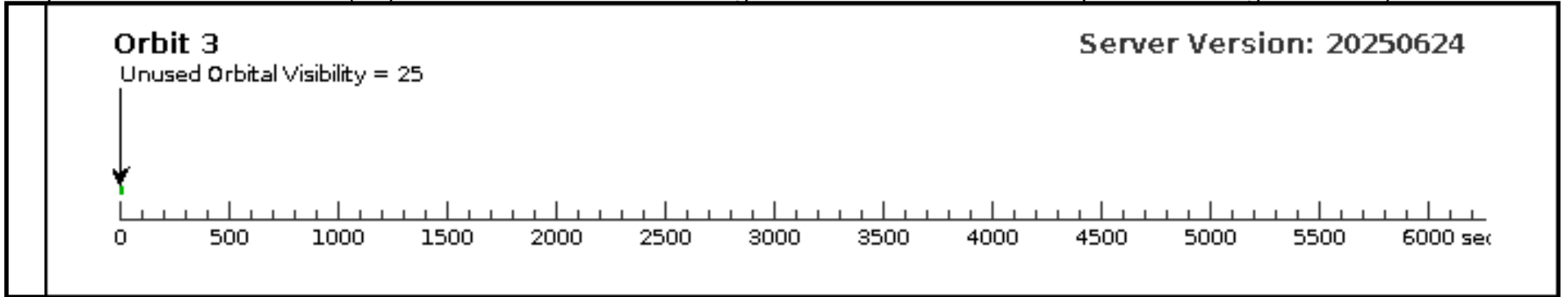
Thu Sep 18 15:03:50 GMT 2025

Visit	Proposal 17924, TT-ORI166 (3A), completed Diagnostic Status: Warning Scientific Instruments: WFC3/UVIS, ACS/WFC Special Requirements: BRIGHT EARTH AVOID 13.5D; ORIENT 165D TO 165 D; BETWEEN 01-JUN-2025:00:00:00 AND 01-AUG-2025:00:00:00; VISIBILITY INTERVAL 5690 S																
	(TT-ORI166 (3A)) Warning (Form): Visibility Interval should be no longer than 1 Orbit (5665.0 secs). (TT-ORI166 (3A)) Warning (Orbit Planner): NO VISIBILITY TABLE CORRESPONDING TO BRIGHT EARTH AVOIDANCE ANGLE (TT-ORI166 (3A)) Informational (Form): The specified Bright Earth Avoidance angle is outside the permitted range.																
Diagnosics																	
Fixed Targets	<table border="1"> <thead> <tr> <th>#</th> <th>Name</th> <th>Target Coordinates</th> <th>Targ. Coord. Corrections</th> <th>Fluxes</th> <th>Miscellaneous</th> </tr> </thead> <tbody> <tr> <td>(26)</td> <td>JWST-NEP-TDF-ORI166-1 Alt Name1: WTDF</td> <td>RA: 17 22 56.6754 (260.7361475d) Dec: +65 51 58.52 (65.86626d) Equinox: J2000</td> <td>Epoch of Position: 2000.0</td> <td>V=27.0+/-1.0</td> <td>Reference Frame: ICRS</td> </tr> </tbody> </table>	#	Name	Target Coordinates	Targ. Coord. Corrections	Fluxes	Miscellaneous	(26)	JWST-NEP-TDF-ORI166-1 Alt Name1: WTDF	RA: 17 22 56.6754 (260.7361475d) Dec: +65 51 58.52 (65.86626d) Equinox: J2000	Epoch of Position: 2000.0	V=27.0+/-1.0	Reference Frame: ICRS	<p><i>Comments: The target field is the central ~5' radius portion of the JWST North Ecliptic Pole (NEP) Time-Domain Field (TDF), for which allocated JWST GTO observations will provide both NIRCcam imaging and NIRISS slitless spectroscopy. This field was defined to be the cleanest >10'x10' area in JWST's northern Continuous Viewing Zone (CVZ), where JWST will conduct a deep extragalactic time-domain survey, with added utility for extreme outer solar system and near-Galactic time-domain science. The JWST-NEP-TDF (or WTDF) is being developed as a *community field*. This HST program will provide contiguous 3-filter coverage in the UV-visible. The specified target coordinates (17:22:47.896, +65:49:21.54) are offset 90" W and ~14"S from the nominal JWST-NEP-TDF field center (17:23:02.55, +65:49:36.0) in Phase I following a detailed evaluation of suitable HST guide stars in the GSCv2.3. The JWST and Chandra field centers will be shifted to match that of HST.</i></p> <p>Category=UNIDENTIFIED Description=[HIGH LATITUDE FIELD, INFRARED EMITTER, OPTICAL EMITTER, ULTRAVIOLET EMITTER]</p>			
	#	Name	Target Coordinates	Targ. Coord. Corrections	Fluxes	Miscellaneous											
(26)	JWST-NEP-TDF-ORI166-1 Alt Name1: WTDF	RA: 17 22 56.6754 (260.7361475d) Dec: +65 51 58.52 (65.86626d) Equinox: J2000	Epoch of Position: 2000.0	V=27.0+/-1.0	Reference Frame: ICRS												

Proposal 17924 - TT-ORI166 (3A) - TREASURETROVE: Tracing the Growth of SMBHs and Spheroids through Variability and Transie...

#	Label	Target	Config,Mode,Aperture	Spectral Els.	Opt. Params.	Special Reqs.	Groups	Exp. Time (Total)/[Actual Dur.]	Orbit
Exposures	1	(26) JWST-NEP-TD F-ORI166-1	ACS/WFC, ACCUM, WFC	F606W		POS TARG 0.0; GS ACQ SCENARI O BASE103	Sequence 1-8 Non-Int in TT-ORI166 (3A) Prime + Parallel Gro up 1-2 in Sequence 1 -8 Non-Int in TT-OR I166 (3A)	1140 Secs (1140 Secs) [==>]	[1]
	2	ANY	WFC3/UVIS, ACCUM, UVIS	F606W			Sequence 1-8 Non-Int in TT-ORI166 (3A) Prime + Parallel Gro up 1-2 in Sequence 1 -8 Non-Int in TT-OR I166 (3A)	1230 Secs (1230 Secs) [==>]	[1]
	3	(26) JWST-NEP-TD F-ORI166-1	ACS/WFC, ACCUM, WFC	F606W		POS TARG 0.14807, 0.08624	Sequence 1-8 Non-Int in TT-ORI166 (3A) Prime + Parallel Gro up 3-4 in Sequence 1 -8 Non-Int in TT-OR I166 (3A)	1155 Secs (1155 Secs) [==>]	[1]
	4	ANY	WFC3/UVIS, ACCUM, UVIS	F606W			Sequence 1-8 Non-Int in TT-ORI166 (3A) Prime + Parallel Gro up 3-4 in Sequence 1 -8 Non-Int in TT-OR I166 (3A)	1185 Secs (1185 Secs) [==>]	[1]
	5	(26) JWST-NEP-TD F-ORI166-1	ACS/WFC, ACCUM, WFC	F606W		POS TARG 0.22215, -0.11866	Sequence 1-8 Non-Int in TT-ORI166 (3A) Prime + Parallel Gro up 5-6 in Sequence 1 -8 Non-Int in TT-OR I166 (3A)	1155 Secs (1155 Secs) [==>]	[1]
	6	ANY	WFC3/UVIS, ACCUM, UVIS	F606W			Sequence 1-8 Non-Int in TT-ORI166 (3A) Prime + Parallel Gro up 5-6 in Sequence 1 -8 Non-Int in TT-OR I166 (3A)	1185 Secs (1185 Secs) [==>]	[1]
	7	(26) JWST-NEP-TD F-ORI166-1	ACS/WFC, ACCUM, WFC	F606W		POS TARG 0.07405, -0.20489	Sequence 1-8 Non-Int in TT-ORI166 (3A) Prime + Parallel Gro up 7-8 in Sequence 1 -8 Non-Int in TT-OR I166 (3A)	1155 Secs (1155 Secs) [==>]	[1]
	8	ANY	WFC3/UVIS, ACCUM, UVIS	F606W			Sequence 1-8 Non-Int in TT-ORI166 (3A) Prime + Parallel Gro up 7-8 in Sequence 1 -8 Non-Int in TT-OR I166 (3A)	1165 Secs (1165 Secs) [==>]	[1]





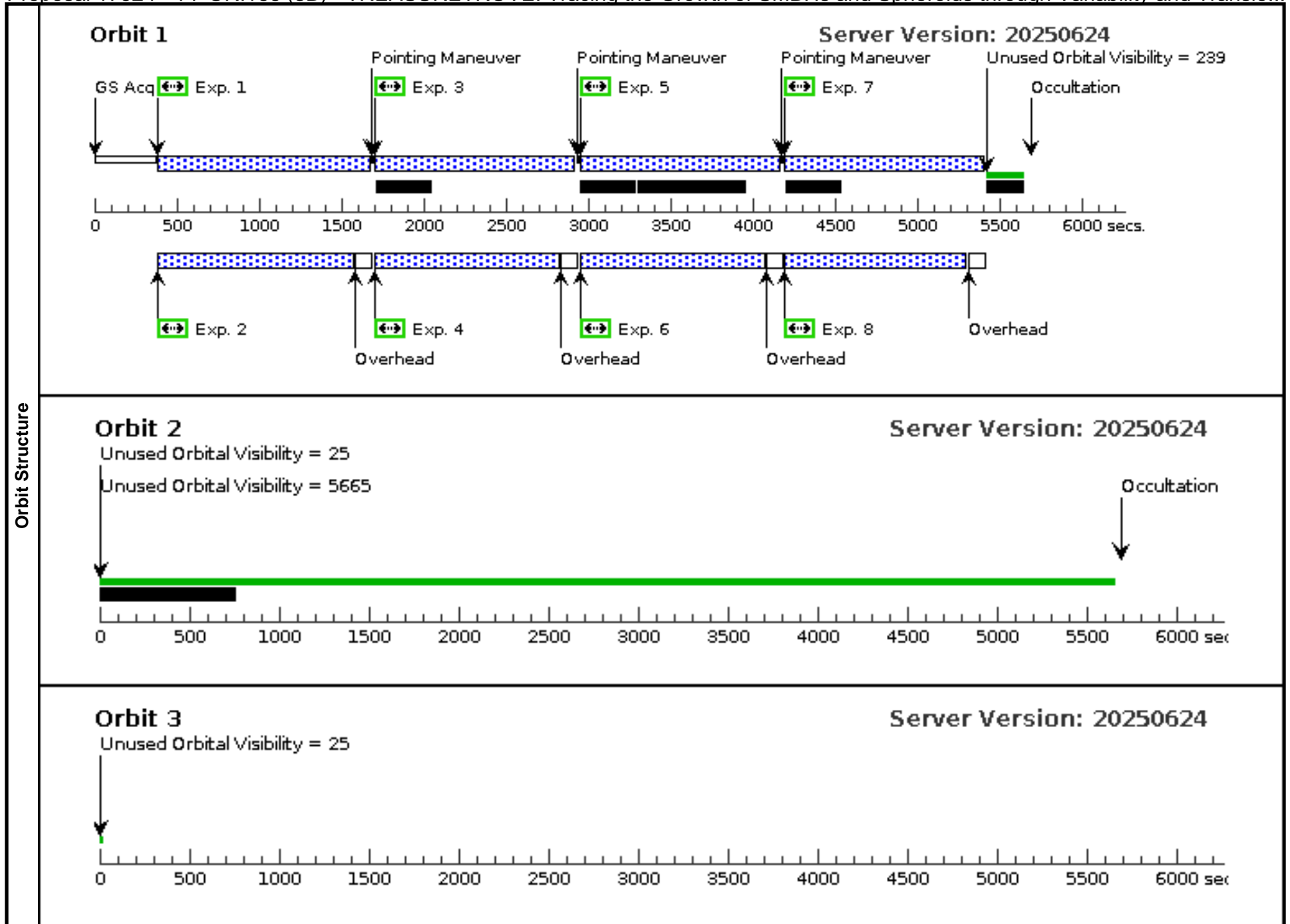
Proposal 17924 - TT-ORI166 (3B) - TREASURETROVE: Tracing the Growth of SMBHs and Spheroids through Variability and Transie...

Thu Sep 18 15:03:50 GMT 2025

Visit	Proposal 17924, TT-ORI166 (3B), completed Diagnostic Status: Warning Scientific Instruments: WFC3/UVIS, ACS/WFC Special Requirements: BRIGHT EARTH AVOID 13.5D; ORIENT 165D TO 165 D; BETWEEN 01-JUN-2025:00:00:00 AND 01-AUG-2025:00:00:00; VISIBILITY INTERVAL 5690 S																
	(TT-ORI166 (3B)) Warning (Form): Visibility Interval should be no longer than 1 Orbit (5665.0 secs). (TT-ORI166 (3B)) Warning (Orbit Planner): NO VISIBILITY TABLE CORRESPONDING TO BRIGHT EARTH AVOIDANCE ANGLE (TT-ORI166 (3B)) Informational (Form): The specified Bright Earth Avoidance angle is outside the permitted range.																
Diagnosics																	
Fixed Targets	<table border="1"> <thead> <tr> <th>#</th> <th>Name</th> <th>Target Coordinates</th> <th>Targ. Coord. Corrections</th> <th>Fluxes</th> <th>Miscellaneous</th> </tr> </thead> <tbody> <tr> <td>(27)</td> <td>JWST-NEP-TDF-ORI166-2 Alt Name1: WTDF</td> <td>RA: 17 22 25.2846 (260.6053525d) Dec: +65 51 17.44 (65.85484d) Equinox: J2000</td> <td>Epoch of Position: 2000.0</td> <td>V=27.0+/-1.0</td> <td>Reference Frame: ICRS</td> </tr> </tbody> </table>	#	Name	Target Coordinates	Targ. Coord. Corrections	Fluxes	Miscellaneous	(27)	JWST-NEP-TDF-ORI166-2 Alt Name1: WTDF	RA: 17 22 25.2846 (260.6053525d) Dec: +65 51 17.44 (65.85484d) Equinox: J2000	Epoch of Position: 2000.0	V=27.0+/-1.0	Reference Frame: ICRS	<p><i>Comments: The target field is the central ~5' radius portion of the JWST North Ecliptic Pole (NEP) Time-Domain Field (TDF), for which allocated JWST GTO observations will provide both NIRCcam imaging and NIRISS slitless spectroscopy. This field was defined to be the cleanest >10'x10' area in JWST's northern Continuous Viewing Zone (CVZ), where JWST will conduct a deep extragalactic time-domain survey, with added utility for extreme outer solar system and near-Galactic time-domain science. The JWST-NEP-TDF (or WTDF) is being developed as a *community field*. This HST program will provide contiguous 3-filter coverage in the UV-visible. The specified target coordinates (17:22:47.896, +65:49:21.54) are offset 90" W and ~14"S from the nominal JWST-NEP-TDF field center (17:23:02.55, +65:49:36.0) in Phase I following a detailed evaluation of suitable HST guide stars in the GSCv2.3. The JWST and Chandra field centers will be shifted to match that of HST.</i></p> <p>Category=UNIDENTIFIED Description=[HIGH LATITUDE FIELD, INFRARED EMITTER, OPTICAL EMITTER, ULTRAVIOLET EMITTER]</p>			
	#	Name	Target Coordinates	Targ. Coord. Corrections	Fluxes	Miscellaneous											
(27)	JWST-NEP-TDF-ORI166-2 Alt Name1: WTDF	RA: 17 22 25.2846 (260.6053525d) Dec: +65 51 17.44 (65.85484d) Equinox: J2000	Epoch of Position: 2000.0	V=27.0+/-1.0	Reference Frame: ICRS												

Proposal 17924 - TT-ORI166 (3B) - TREASURETROVE: Tracing the Growth of SMBHs and Spheroids through Variability and Transie...

#	Label	Target	Config,Mode,Aperture	Spectral Els.	Opt. Params.	Special Reqs.	Groups	Exp. Time (Total)/[Actual Dur.]	Orbit
Exposures	1	(27) JWST-NEP-TD F-ORI166-2	ACS/WFC, ACCUM, WFC	F606W		POS TARG 0.0; GS ACQ SCENARI O BASE103	Sequence 1-8 Non-Int in TT-ORI166 (3B) Prime + Parallel Group 1-2 in Sequence 1-8 Non-Int in TT-ORI166 (3B)	1082 Secs (1082 Secs) [==>]	[1]
	2	ANY	WFC3/UVIS, ACCUM, UVIS	F606W			Sequence 1-8 Non-Int in TT-ORI166 (3B) Prime + Parallel Group 1-2 in Sequence 1-8 Non-Int in TT-ORI166 (3B)	1162 Secs (1162 Secs) [==>]	[1]
	3	(27) JWST-NEP-TD F-ORI166-2	ACS/WFC, ACCUM, WFC	F606W		POS TARG 0.14807, 0.08624	Sequence 1-8 Non-Int in TT-ORI166 (3B) Prime + Parallel Group 3-4 in Sequence 1-8 Non-Int in TT-ORI166 (3B)	1090 Secs (1090 Secs) [==>]	[1]
	4	ANY	WFC3/UVIS, ACCUM, UVIS	F606W			Sequence 1-8 Non-Int in TT-ORI166 (3B) Prime + Parallel Group 3-4 in Sequence 1-8 Non-Int in TT-ORI166 (3B)	1120 Secs (1120 Secs) [==>]	[1]
	5	(27) JWST-NEP-TD F-ORI166-2	ACS/WFC, ACCUM, WFC	F606W		POS TARG 0.22215, -0.11866	Sequence 1-8 Non-Int in TT-ORI166 (3B) Prime + Parallel Group 5-6 in Sequence 1-8 Non-Int in TT-ORI166 (3B)	1090 Secs (1090 Secs) [==>]	[1]
	6	ANY	WFC3/UVIS, ACCUM, UVIS	F606W			Sequence 1-8 Non-Int in TT-ORI166 (3B) Prime + Parallel Group 5-6 in Sequence 1-8 Non-Int in TT-ORI166 (3B)	1120 Secs (1120 Secs) [==>]	[1]
	7	(27) JWST-NEP-TD F-ORI166-2	ACS/WFC, ACCUM, WFC	F606W		POS TARG 0.07405, -0.20489	Sequence 1-8 Non-Int in TT-ORI166 (3B) Prime + Parallel Group 7-8 in Sequence 1-8 Non-Int in TT-ORI166 (3B)	1090 Secs (1090 Secs) [==>]	[1]
	8	ANY	WFC3/UVIS, ACCUM, UVIS	F606W			Sequence 1-8 Non-Int in TT-ORI166 (3B) Prime + Parallel Group 7-8 in Sequence 1-8 Non-Int in TT-ORI166 (3B)	1100 Secs (1100 Secs) [==>]	[1]



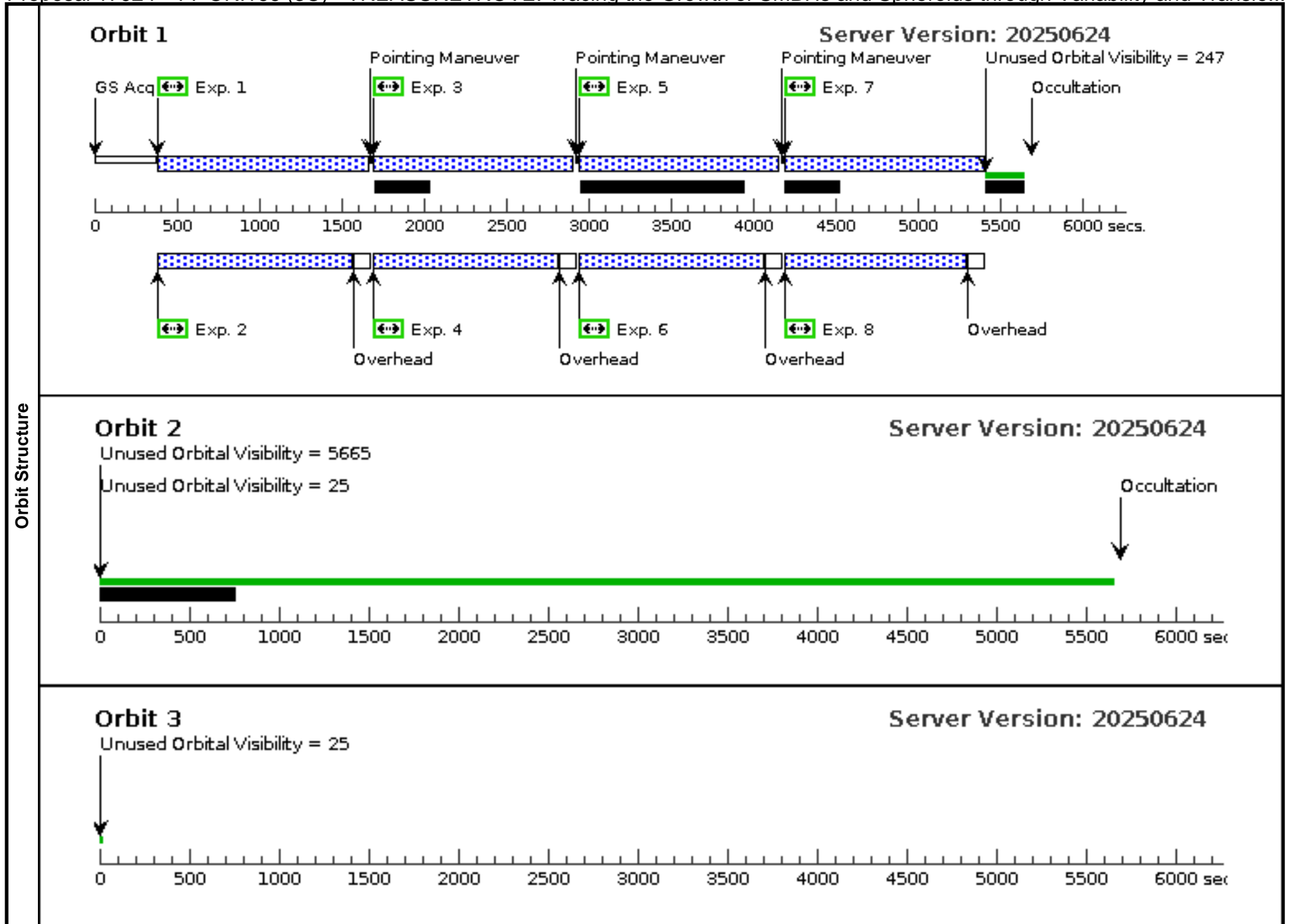
Proposal 17924 - TT-ORI166 (3C) - TREASURETROVE: Tracing the Growth of SMBHs and Spheroids through Variability and Transie...

Thu Sep 18 15:03:50 GMT 2025

Visit	Proposal 17924, TT-ORI166 (3C), failed Diagnostic Status: Warning Scientific Instruments: WFC3/UVIS, ACS/WFC Special Requirements: BRIGHT EARTH AVOID 13.5D; ORIENT 165D TO 165 D; BETWEEN 01-JUN-2025:00:00:00 AND 01-AUG-2025:00:00:00; VISIBILITY INTERVAL 5690 S																
	(TT-ORI166 (3C)) Warning (Form): Visibility Interval should be no longer than 1 Orbit (5665.0 secs). (TT-ORI166 (3C)) Warning (Orbit Planner): NO VISIBILITY TABLE CORRESPONDING TO BRIGHT EARTH AVOIDANCE ANGLE (TT-ORI166 (3C)) Informational (Form): The specified Bright Earth Avoidance angle is outside the permitted range.																
Diagnosics																	
Fixed Targets	<table border="1"> <thead> <tr> <th>#</th> <th>Name</th> <th>Target Coordinates</th> <th>Targ. Coord. Corrections</th> <th>Fluxes</th> <th>Miscellaneous</th> </tr> </thead> <tbody> <tr> <td>(28)</td> <td>JWST-NEP-TDF-ORI166-3 Alt Name1: WTDF</td> <td>RA: 17 22 47.7195 (260.6988313d) Dec: +65 55 10.63 (65.91962d) Equinox: J2000</td> <td>Epoch of Position: 2000.0</td> <td>V=27.0+/-1.0</td> <td>Reference Frame: ICRS</td> </tr> </tbody> </table>	#	Name	Target Coordinates	Targ. Coord. Corrections	Fluxes	Miscellaneous	(28)	JWST-NEP-TDF-ORI166-3 Alt Name1: WTDF	RA: 17 22 47.7195 (260.6988313d) Dec: +65 55 10.63 (65.91962d) Equinox: J2000	Epoch of Position: 2000.0	V=27.0+/-1.0	Reference Frame: ICRS	<p><i>Comments: The target field is the central ~5' radius portion of the JWST North Ecliptic Pole (NEP) Time-Domain Field (TDF), for which allocated JWST GTO observations will provide both NIRCcam imaging and NIRISS slitless spectroscopy. This field was defined to be the cleanest >10'x10' area in JWST's northern Continuous Viewing Zone (CVZ), where JWST will conduct a deep extragalactic time-domain survey, with added utility for extreme outer solar system and near-Galactic time-domain science. The JWST-NEP-TDF (or WTDF) is being developed as a *community field*. This HST program will provide contiguous 3-filter coverage in the UV--visible. The specified target coordinates (17:22:47.896, +65:49:21.54) are offset 90" W and ~14"S from the nominal JWST-NEP-TDF field center (17:23:02.55, +65:49:36.0) in Phase I following a detailed evaluation of suitable HST guide stars in the GSCv2.3. The JWST and Chandra field centers will be shifted to match that of HST.</i></p> <p>Category=UNIDENTIFIED Description=[HIGH LATITUDE FIELD, INFRARED EMITTER, OPTICAL EMITTER, ULTRAVIOLET EMITTER]</p>			
	#	Name	Target Coordinates	Targ. Coord. Corrections	Fluxes	Miscellaneous											
(28)	JWST-NEP-TDF-ORI166-3 Alt Name1: WTDF	RA: 17 22 47.7195 (260.6988313d) Dec: +65 55 10.63 (65.91962d) Equinox: J2000	Epoch of Position: 2000.0	V=27.0+/-1.0	Reference Frame: ICRS												

Proposal 17924 - TT-ORI166 (3C) - TREASURETROVE: Tracing the Growth of SMBHs and Spheroids through Variability and Transie...

#	Label	Target	Config,Mode,Aperture	Spectral Els.	Opt. Params.	Special Reqs.	Groups	Exp. Time (Total)/[Actual Dur.]	Orbit
Exposures	1	(28) JWST-NEP-TD F-ORI166-3	ACS/WFC, ACCUM, WFC	F606W		POS TARG 0.0; GS ACQ SCENARI O BASE103	Sequence 1-8 Non-Int in TT-ORI166 (3C) Prime + Parallel Group 1-2 in Sequence 1-8 Non-Int in TT-ORI166 (3C)	1074 Secs (1074 Secs) [==>]	[1]
	2	ANY	WFC3/UVIS, ACCUM, UVIS	F606W			Sequence 1-8 Non-Int in TT-ORI166 (3C) Prime + Parallel Group 1-2 in Sequence 1-8 Non-Int in TT-ORI166 (3C)	1154 Secs (1154 Secs) [==>]	[1]
	3	(28) JWST-NEP-TD F-ORI166-3	ACS/WFC, ACCUM, WFC	F606W		POS TARG 0.14807, 0.08624	Sequence 1-8 Non-Int in TT-ORI166 (3C) Prime + Parallel Group 3-4 in Sequence 1-8 Non-Int in TT-ORI166 (3C)	1090 Secs (1090 Secs) [==>]	[1]
	4	ANY	WFC3/UVIS, ACCUM, UVIS	F606W			Sequence 1-8 Non-Int in TT-ORI166 (3C) Prime + Parallel Group 3-4 in Sequence 1-8 Non-Int in TT-ORI166 (3C)	1120 Secs (1120 Secs) [==>]	[1]
	5	(28) JWST-NEP-TD F-ORI166-3	ACS/WFC, ACCUM, WFC	F606W		POS TARG 0.22215, -0.11866	Sequence 1-8 Non-Int in TT-ORI166 (3C) Prime + Parallel Group 5-6 in Sequence 1-8 Non-Int in TT-ORI166 (3C)	1090 Secs (1090 Secs) [==>]	[1]
	6	ANY	WFC3/UVIS, ACCUM, UVIS	F606W			Sequence 1-8 Non-Int in TT-ORI166 (3C) Prime + Parallel Group 5-6 in Sequence 1-8 Non-Int in TT-ORI166 (3C)	1120 Secs (1120 Secs) [==>]	[1]
	7	(28) JWST-NEP-TD F-ORI166-3	ACS/WFC, ACCUM, WFC	F606W		POS TARG 0.07405, -0.20489	Sequence 1-8 Non-Int in TT-ORI166 (3C) Prime + Parallel Group 7-8 in Sequence 1-8 Non-Int in TT-ORI166 (3C)	1090 Secs (1090 Secs) [==>]	[1]
	8	ANY	WFC3/UVIS, ACCUM, UVIS	F606W			Sequence 1-8 Non-Int in TT-ORI166 (3C) Prime + Parallel Group 7-8 in Sequence 1-8 Non-Int in TT-ORI166 (3C)	1100 Secs (1100 Secs) [==>]	[1]

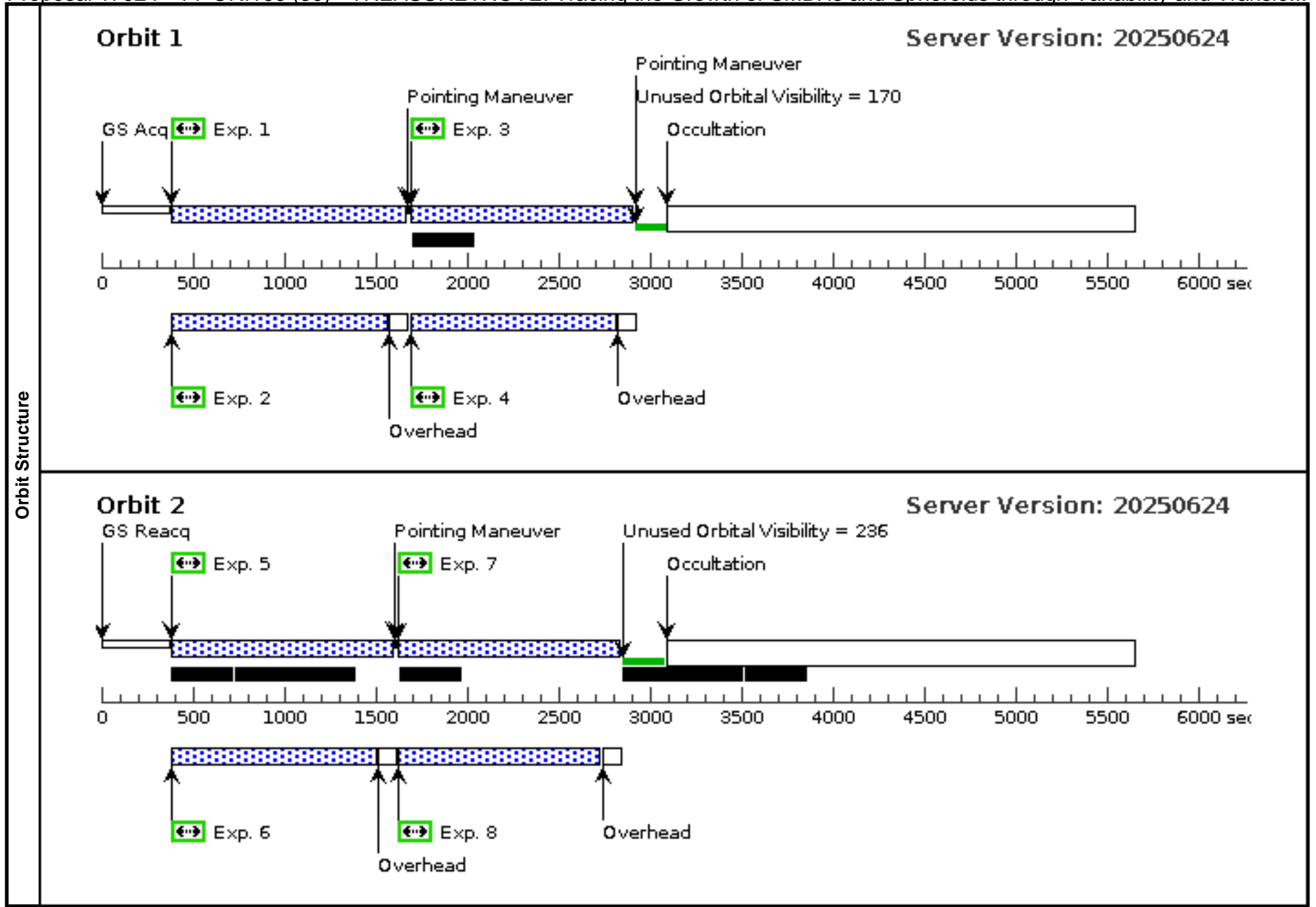


Proposal 17924 - TT-ORI166 (30) - TREASURETROVE: Tracing the Growth of SMBHs and Spheroids through Variability and Transie...

Visit	Proposal 17924, TT-ORI166 (30), scheduled Thu Sep 18 15:03:50 GMT 2025 Diagnostic Status: No Diagnostics Scientific Instruments: WFC3/UVIS, ACS/WFC Special Requirements: ORIENT 75D TO 75 D; BETWEEN 01-SEP-2025:00:00:00 AND 01-NOV-2025:00:00:00																
	Fixed Targets	<table border="1"> <thead> <tr> <th>#</th> <th>Name</th> <th>Target Coordinates</th> <th>Targ. Coord. Corrections</th> <th>Fluxes</th> <th>Miscellaneous</th> </tr> </thead> <tbody> <tr> <td>(28)</td> <td>JWST-NEP-TDF-ORI166-3 Alt Name1: WTDF</td> <td>RA: 17 22 47.7195 (260.6988313d) Dec: +65 55 10.63 (65.91962d) Equinox: J2000</td> <td>Epoch of Position: 2000.0</td> <td>V=27.0+/-1.0</td> <td>Reference Frame: ICRS</td> </tr> </tbody> </table>	#	Name	Target Coordinates	Targ. Coord. Corrections	Fluxes	Miscellaneous	(28)	JWST-NEP-TDF-ORI166-3 Alt Name1: WTDF	RA: 17 22 47.7195 (260.6988313d) Dec: +65 55 10.63 (65.91962d) Equinox: J2000	Epoch of Position: 2000.0	V=27.0+/-1.0	Reference Frame: ICRS	<p><i>Comments: The target field is the central ~5' radius portion of the JWST North Ecliptic Pole (NEP) Time-Domain Field (TDF), for which allocated JWST GTO observations will provide both NIRCcam imaging and NIRISS slitless spectroscopy. This field was defined to be the cleanest >10'x10' area in JWST's northern Continuous Viewing Zone (CVZ), where JWST will conduct a deep extragalactic time-domain survey, with added utility for extreme outer solar system and near-Galactic time-domain science. The JWST-NEP-TDF (or WTDF) is being developed as a *community field*. This HST program will provide contiguous 3-filter coverage in the UV-visible. The specified target coordinates (17:22:47.896, +65:49:21.54) are offset 90" W and ~14"S from the nominal JWST-NEP-TDF field center (17:23:02.55, +65:49:36.0) in Phase I following a detailed evaluation of suitable HST guide stars in the GSCv2.3. The JWST and Chandra field centers will be shifted to match that of HST.</i></p> <p>Category=UNIDENTIFIED Description=[HIGH LATITUDE FIELD, INFRARED EMITTER, OPTICAL EMITTER, ULTRAVIOLET EMITTER]</p>		
#		Name	Target Coordinates	Targ. Coord. Corrections	Fluxes	Miscellaneous											
(28)	JWST-NEP-TDF-ORI166-3 Alt Name1: WTDF	RA: 17 22 47.7195 (260.6988313d) Dec: +65 55 10.63 (65.91962d) Equinox: J2000	Epoch of Position: 2000.0	V=27.0+/-1.0	Reference Frame: ICRS												

Proposal 17924 - TT-ORI166 (30) - TREASUREROVE: Tracing the Growth of SMBHs and Spheroids through Variability and Transie...

#	Label	Target	Config,Mode,Aperture	Spectral Els.	Opt. Params.	Special Reqs.	Groups	Exp. Time (Total)/[Actual Dur.]	Orbit
Exposures	1	(28) JWST-NEP-TD F-ORI166-3	ACS/WFC, ACCUM, WFC	F606W		POS TARG -15.205 659609468498,-14.6 73077386317301; GS ACQ SCENARI O BASE103	Sequence 1-4 Non-Int in TT-ORI166 (30) Prime + Parallel Gro up 1-2 in Sequence 1 -4 Non-Int in TT-OR I166 (30)	1074 Secs (1074 Secs) [==>]	[1]
	2	ANY	WFC3/UVIS, ACCUM, UVIS	F606W			Sequence 1-4 Non-Int in TT-ORI166 (30) Prime + Parallel Gro up 1-2 in Sequence 1 -4 Non-Int in TT-OR I166 (30)	1154 Secs (1154 Secs) [==>]	[1]
	3	(28) JWST-NEP-TD F-ORI166-3	ACS/WFC, ACCUM, WFC	F606W		POS TARG -15.057 589609468497,-14.5 868373863173	Sequence 1-4 Non-Int in TT-ORI166 (30) Prime + Parallel Gro up 3-4 in Sequence 1 -4 Non-Int in TT-OR I166 (30)	1090 Secs (1090 Secs) [==>]	[1]
	4	ANY	WFC3/UVIS, ACCUM, UVIS	F606W			Sequence 1-4 Non-Int in TT-ORI166 (30) Prime + Parallel Gro up 3-4 in Sequence 1 -4 Non-Int in TT-OR I166 (30)	1120 Secs (1120 Secs) [==>]	[1]
	5	(28) JWST-NEP-TD F-ORI166-3	ACS/WFC, ACCUM, WFC	F606W		POS TARG -14.983 509609468499,-14.7 91737386317301	Sequence 5-8 Non-Int in TT-ORI166 (30) Prime + Parallel Gro up 5-6 in Sequence 5 -8 Non-Int in TT-OR I166 (30)	1090 Secs (1090 Secs) [==>]	[2]
	6	ANY	WFC3/UVIS, ACCUM, UVIS	F606W			Sequence 5-8 Non-Int in TT-ORI166 (30) Prime + Parallel Gro up 5-6 in Sequence 5 -8 Non-Int in TT-OR I166 (30)	1120 Secs (1120 Secs) [==>]	[2]
	7	(28) JWST-NEP-TD F-ORI166-3	ACS/WFC, ACCUM, WFC	F606W		POS TARG -15.131 609609468498,-14.8 77967386317302	Sequence 5-8 Non-Int in TT-ORI166 (30) Prime + Parallel Gro up 7-8 in Sequence 5 -8 Non-Int in TT-OR I166 (30)	1090 Secs (1090 Secs) [==>]	[2]
	8	ANY	WFC3/UVIS, ACCUM, UVIS	F606W			Sequence 5-8 Non-Int in TT-ORI166 (30) Prime + Parallel Gro up 7-8 in Sequence 5 -8 Non-Int in TT-OR I166 (30)	1100 Secs (1100 Secs) [==>]	[2]



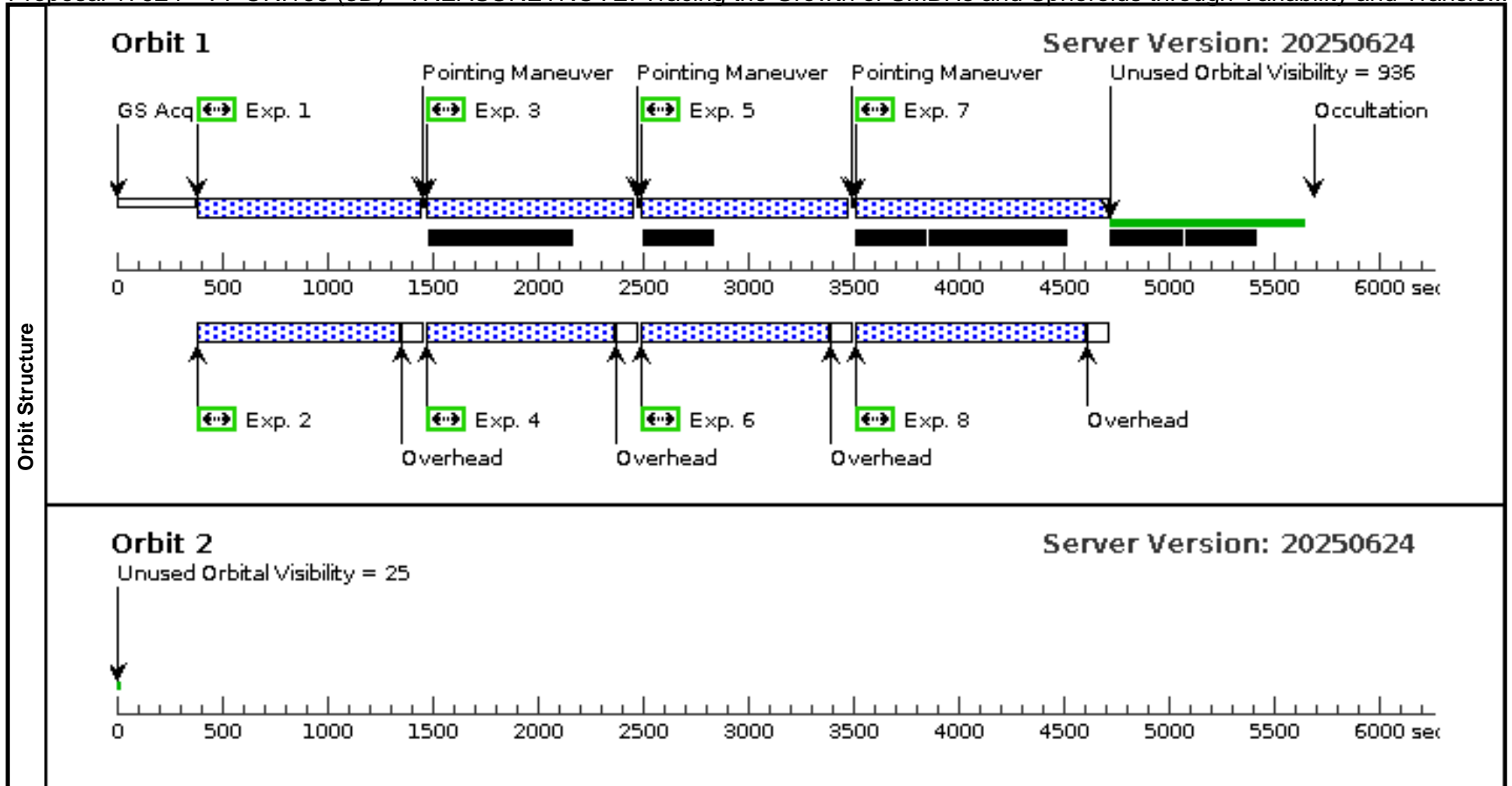
Proposal 17924 - TT-ORI166 (3D) - TREASURETROVE: Tracing the Growth of SMBHs and Spheroids through Variability and Transie...

Thu Sep 18 15:03:50 GMT 2025

Visit	Proposal 17924, TT-ORI166 (3D), completed Diagnostic Status: Warning Scientific Instruments: WFC3/UVIS, ACS/WFC Special Requirements: BRIGHT EARTH AVOID 13.5D; ORIENT 165D TO 165 D; BETWEEN 01-JUN-2025:00:00:00 AND 01-AUG-2025:00:00:00; VISIBILITY INTERVAL 5690 S																
	(TT-ORI166 (3D)) Warning (Form): Visibility Interval should be no longer than 1 Orbit (5665.0 secs). (TT-ORI166 (3D)) Warning (Orbit Planner): NO VISIBILITY TABLE CORRESPONDING TO BRIGHT EARTH AVOIDANCE ANGLE (TT-ORI166 (3D)) Informational (Form): The specified Bright Earth Avoidance angle is outside the permitted range.																
Diagnosics																	
Fixed Targets	<table border="1"> <thead> <tr> <th>#</th> <th>Name</th> <th>Target Coordinates</th> <th>Targ. Coord. Corrections</th> <th>Fluxes</th> <th>Miscellaneous</th> </tr> </thead> <tbody> <tr> <td>(29)</td> <td>JWST-NEP-TDF-ORI166-4 Alt Name1: WTDF</td> <td>RA: 17 22 16.2648 (260.5677700d) Dec: +65 54 29.38 (65.90816d) Equinox: J2000</td> <td>Epoch of Position: 2000.0</td> <td>V=27.0+/-1.0</td> <td>Reference Frame: ICRS</td> </tr> </tbody> </table>	#	Name	Target Coordinates	Targ. Coord. Corrections	Fluxes	Miscellaneous	(29)	JWST-NEP-TDF-ORI166-4 Alt Name1: WTDF	RA: 17 22 16.2648 (260.5677700d) Dec: +65 54 29.38 (65.90816d) Equinox: J2000	Epoch of Position: 2000.0	V=27.0+/-1.0	Reference Frame: ICRS	<p><i>Comments: The target field is the central ~5' radius portion of the JWST North Ecliptic Pole (NEP) Time-Domain Field (TDF), for which allocated JWST GTO observations will provide both NIRCcam imaging and NIRISS slitless spectroscopy. This field was defined to be the cleanest >10'x10' area in JWST's northern Continuous Viewing Zone (CVZ), where JWST will conduct a deep extragalactic time-domain survey, with added utility for extreme outer solar system and near-Galactic time-domain science. The JWST-NEP-TDF (or WTDF) is being developed as a *community field*. This HST program will provide contiguous 3-filter coverage in the UV--visible. The specified target coordinates (17:22:47.896, +65:49:21.54) are offset 90" W and ~14"S from the nominal JWST-NEP-TDF field center (17:23:02.55, +65:49:36.0) in Phase I following a detailed evaluation of suitable HST guide stars in the GSCv2.3. The JWST and Chandra field centers will be shifted to match that of HST.</i></p> <p>Category=UNIDENTIFIED Description=[HIGH LATITUDE FIELD, INFRARED EMITTER, OPTICAL EMITTER, ULTRAVIOLET EMITTER]</p>			
	#	Name	Target Coordinates	Targ. Coord. Corrections	Fluxes	Miscellaneous											
(29)	JWST-NEP-TDF-ORI166-4 Alt Name1: WTDF	RA: 17 22 16.2648 (260.5677700d) Dec: +65 54 29.38 (65.90816d) Equinox: J2000	Epoch of Position: 2000.0	V=27.0+/-1.0	Reference Frame: ICRS												

Proposal 17924 - TT-ORI166 (3D) - TREASURETROVE: Tracing the Growth of SMBHs and Spheroids through Variability and Transie...

#	Label	Target	Config,Mode,Aperture	Spectral Els.	Opt. Params.	Special Reqs.	Groups	Exp. Time (Total)/[Actual Dur.]	Orbit
Exposures	1	(29) JWST-NEP-TD F-ORI166-4	ACS/WFC, ACCUM, WFC	F606W		POS TARG 0.0; GS ACQ SCENARI O BASE103	Sequence 1-8 Non-Int in TT-ORI166 (3D) Prime + Parallel Group 1-2 in Sequence 1-8 Non-Int in TT-ORI166 (3D)	854 Secs (854 Secs) [==>]	[1]
	2	ANY	WFC3/UVIS, ACCUM, UVIS	F606W			Sequence 1-8 Non-Int in TT-ORI166 (3D) Prime + Parallel Group 1-2 in Sequence 1-8 Non-Int in TT-ORI166 (3D)	934 Secs (934 Secs) [==>]	[1]
	3	(29) JWST-NEP-TD F-ORI166-4	ACS/WFC, ACCUM, WFC	F606W		POS TARG 0.14807, 0.08624	Sequence 1-8 Non-Int in TT-ORI166 (3D) Prime + Parallel Group 3-4 in Sequence 1-8 Non-Int in TT-ORI166 (3D)	860 Secs (860 Secs) [==>]	[1]
	4	ANY	WFC3/UVIS, ACCUM, UVIS	F606W			Sequence 1-8 Non-Int in TT-ORI166 (3D) Prime + Parallel Group 3-4 in Sequence 1-8 Non-Int in TT-ORI166 (3D)	890 Secs (890 Secs) [==>]	[1]
	5	(29) JWST-NEP-TD F-ORI166-4	ACS/WFC, ACCUM, WFC	F606W		POS TARG 0.22215, -0.11866	Sequence 1-8 Non-Int in TT-ORI166 (3D) Prime + Parallel Group 5-6 in Sequence 1-8 Non-Int in TT-ORI166 (3D)	860 Secs (860 Secs) [==>]	[1]
	6	ANY	WFC3/UVIS, ACCUM, UVIS	F606W			Sequence 1-8 Non-Int in TT-ORI166 (3D) Prime + Parallel Group 5-6 in Sequence 1-8 Non-Int in TT-ORI166 (3D)	890 Secs (890 Secs) [==>]	[1]
	7	(29) JWST-NEP-TD F-ORI166-4	ACS/WFC, ACCUM, WFC	F606W		POS TARG 0.07405, -0.20489	Sequence 1-8 Non-Int in TT-ORI166 (3D) Prime + Parallel Group 7-8 in Sequence 1-8 Non-Int in TT-ORI166 (3D)	1081 Secs (1081 Secs) [==>]	[1]
	8	ANY	WFC3/UVIS, ACCUM, UVIS	F606W			Sequence 1-8 Non-Int in TT-ORI166 (3D) Prime + Parallel Group 7-8 in Sequence 1-8 Non-Int in TT-ORI166 (3D)	1091 Secs (1091 Secs) [==>]	[1]



Proposal 17924 - TT-ORI117 (04) - TREASURERETROVE: Tracing the Growth of SMBHs and Spheroids through Variability and Transie...

#	Label	Target	Config,Mode,Aperture	Spectral Els.	Opt. Params.	Special Reqs.	Groups	Exp. Time (Total)/[Actual Dur.]	Orbit
Exposures	1	(25) JWST-NEP-TD F	ACS/WFC, ACCUM, WFC	F606W		POS TARG -96.026 15059196609,135.16 182579648736; GS ACQ SCENARI O BASE103	Sequence 1-8 Non-Int in TT-ORI117 (04) Prime + Parallel Group 1-2 in Sequence 1-8 Non-Int in TT-ORI117 (04)	1140 Secs (1140 Secs) [==>]	[1]
	2	ANY	WFC3/UVIS, ACCUM, UVIS	F606W			Sequence 1-8 Non-Int in TT-ORI117 (04) Prime + Parallel Group 1-2 in Sequence 1-8 Non-Int in TT-ORI117 (04)	1230 Secs (1230 Secs) [==>]	[1]
	3	(25) JWST-NEP-TD F	ACS/WFC, ACCUM, WFC	F606W		POS TARG -95.878 08059196608,135.24 806579648737	Sequence 1-8 Non-Int in TT-ORI117 (04) Prime + Parallel Group 3-4 in Sequence 1-8 Non-Int in TT-ORI117 (04)	1155 Secs (1155 Secs) [==>]	[1]
	4	ANY	WFC3/UVIS, ACCUM, UVIS	F606W			Sequence 1-8 Non-Int in TT-ORI117 (04) Prime + Parallel Group 3-4 in Sequence 1-8 Non-Int in TT-ORI117 (04)	1185 Secs (1185 Secs) [==>]	[1]
	5	(25) JWST-NEP-TD F	ACS/WFC, ACCUM, WFC	F606W		POS TARG -95.804 00059196609,135.04 316579648736	Sequence 1-8 Non-Int in TT-ORI117 (04) Prime + Parallel Group 5-6 in Sequence 1-8 Non-Int in TT-ORI117 (04)	1155 Secs (1155 Secs) [==>]	[1]
	6	ANY	WFC3/UVIS, ACCUM, UVIS	F606W			Sequence 1-8 Non-Int in TT-ORI117 (04) Prime + Parallel Group 5-6 in Sequence 1-8 Non-Int in TT-ORI117 (04)	1185 Secs (1185 Secs) [==>]	[1]
	7	(25) JWST-NEP-TD F	ACS/WFC, ACCUM, WFC	F606W		POS TARG -95.952 10059196609,134.95 693579648736	Sequence 1-8 Non-Int in TT-ORI117 (04) Prime + Parallel Group 7-8 in Sequence 1-8 Non-Int in TT-ORI117 (04)	1155 Secs (1155 Secs) [==>]	[1]
	8	ANY	WFC3/UVIS, ACCUM, UVIS	F606W			Sequence 1-8 Non-Int in TT-ORI117 (04) Prime + Parallel Group 7-8 in Sequence 1-8 Non-Int in TT-ORI117 (04)	1165 Secs (1165 Secs) [==>]	[1]
	9	(25) JWST-NEP-TD F	ACS/WFC, ACCUM, WFC	F606W		POS TARG 100.015 22320971621,150.56 838448094175; GS ACQ SCENARI O BASE103	Sequence 9-16 Non-Int in TT-ORI117 (04) Prime + Parallel Group 9-10 in Sequence 9-16 Non-Int in TT-ORI117 (04)	1082 Secs (1082 Secs) [==>]	[2]

Proposal 17924 - TT-ORI117 (04) - TREASURETROVE: Tracing the Growth of SMBHs and Spheroids through Variability and Transie...

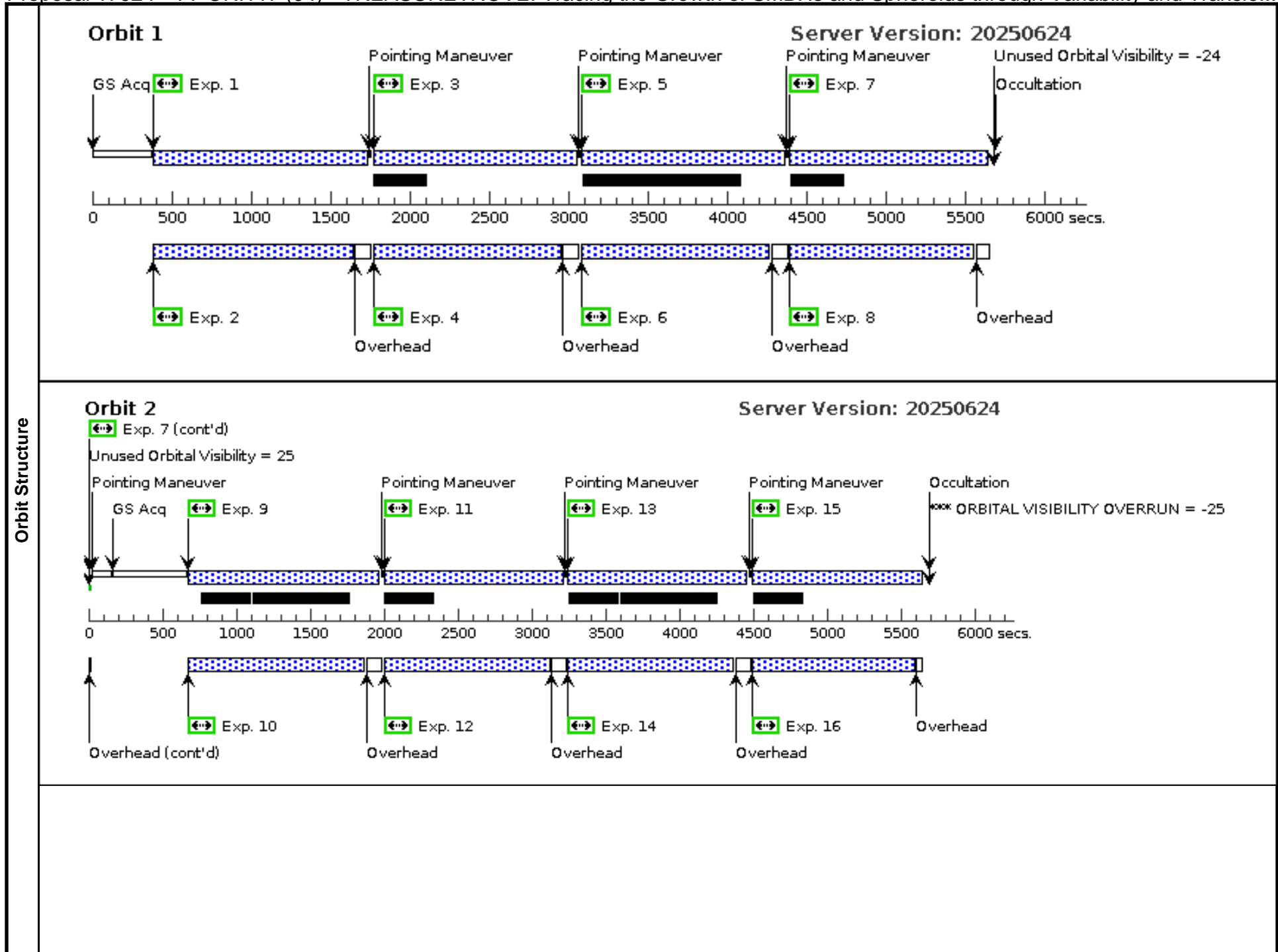
10	ANY	WFC3/UVIS, ACCUM, UVIS	F606W		Sequence 9-16 Non-Int in TT-ORI117 (04) Prime + Parallel Group 9-10 in Sequence 9-16 Non-Int in TT-ORI117 (04)	1162 Secs (1162 Secs) [==>]	[2]
11	(25) JWST-NEP-TD F	ACS/WFC, ACCUM, WFC	F606W	POS TARG 100.163 29320971622,150.65 462448094175	Sequence 9-16 Non-Int in TT-ORI117 (04) Prime + Parallel Group 11-12 in Sequence 9-16 Non-Int in TT-ORI117 (04)	1090 Secs (1090 Secs) [==>]	[2]
12	ANY	WFC3/UVIS, ACCUM, UVIS	F606W		Sequence 9-16 Non-Int in TT-ORI117 (04) Prime + Parallel Group 11-12 in Sequence 9-16 Non-Int in TT-ORI117 (04)	1120 Secs (1120 Secs) [==>]	[2]
13	(25) JWST-NEP-TD F	ACS/WFC, ACCUM, WFC	F606W	POS TARG 100.237 37320971621,150.44 972448094174	Sequence 9-16 Non-Int in TT-ORI117 (04) Prime + Parallel Group 13-14 in Sequence 9-16 Non-Int in TT-ORI117 (04)	1090 Secs (1090 Secs) [==>]	[2]
14	ANY	WFC3/UVIS, ACCUM, UVIS	F606W		Sequence 9-16 Non-Int in TT-ORI117 (04) Prime + Parallel Group 13-14 in Sequence 9-16 Non-Int in TT-ORI117 (04)	1120 Secs (1120 Secs) [==>]	[2]
15	(25) JWST-NEP-TD F	ACS/WFC, ACCUM, WFC	F606W	POS TARG 100.089 27320971621,150.36 349448094174	Sequence 9-16 Non-Int in TT-ORI117 (04) Prime + Parallel Group 15-16 in Sequence 9-16 Non-Int in TT-ORI117 (04)	1090 Secs (1090 Secs) [==>]	[2]
16	ANY	WFC3/UVIS, ACCUM, UVIS	F606W		Sequence 9-16 Non-Int in TT-ORI117 (04) Prime + Parallel Group 15-16 in Sequence 9-16 Non-Int in TT-ORI117 (04)	1100 Secs (1100 Secs) [==>]	[2]
17	(25) JWST-NEP-TD F	ACS/WFC, ACCUM, WFC	F606W	POS TARG -97.770 97992193157,334.97 876252635194; GS ACQ SCENARIO BASE103	Sequence 17-24 Non-Int in TT-ORI117 (04) Prime + Parallel Group 17-18 in Sequence 17-24 Non-Int in TT-ORI117 (04)	1074 Secs (1074 Secs) [==>]	[3]

Proposal 17924 - TT-ORI117 (04) - TREASURETROVE: Tracing the Growth of SMBHs and Spheroids through Variability and Transie...

18	ANY	WFC3/UVIS, ACCUM, UVIS	F606W		Sequence 17-24 Non-Int in TT-ORI117 (04) Prime + Parallel Group 17-18 in Sequence 17-24 Non-Int in TT-ORI117 (04)	1154 Secs (1154 Secs) [==>]	[3]
19	(25) JWST-NEP-TD F	ACS/WFC, ACCUM, WFC	F606W	POS TARG -97.622 90992193157,335.06 50025263519	Sequence 17-24 Non-Int in TT-ORI117 (04) Prime + Parallel Group 19-20 in Sequence 17-24 Non-Int in TT-ORI117 (04)	1090 Secs (1090 Secs) [==>]	[3]
20	ANY	WFC3/UVIS, ACCUM, UVIS	F606W		Sequence 17-24 Non-Int in TT-ORI117 (04) Prime + Parallel Group 19-20 in Sequence 17-24 Non-Int in TT-ORI117 (04)	1120 Secs (1120 Secs) [==>]	[3]
21	(25) JWST-NEP-TD F	ACS/WFC, ACCUM, WFC	F606W	POS TARG -97.548 82992193157,334.86 010252635197	Sequence 17-24 Non-Int in TT-ORI117 (04) Prime + Parallel Group 21-22 in Sequence 17-24 Non-Int in TT-ORI117 (04)	1090 Secs (1090 Secs) [==>]	[3]
22	ANY	WFC3/UVIS, ACCUM, UVIS	F606W		Sequence 17-24 Non-Int in TT-ORI117 (04) Prime + Parallel Group 21-22 in Sequence 17-24 Non-Int in TT-ORI117 (04)	1120 Secs (1120 Secs) [==>]	[3]
23	(25) JWST-NEP-TD F	ACS/WFC, ACCUM, WFC	F606W	POS TARG -97.696 92992193157,334.77 387252635197	Sequence 17-24 Non-Int in TT-ORI117 (04) Prime + Parallel Group 23-24 in Sequence 17-24 Non-Int in TT-ORI117 (04)	1090 Secs (1090 Secs) [==>]	[3]
24	ANY	WFC3/UVIS, ACCUM, UVIS	F606W		Sequence 17-24 Non-Int in TT-ORI117 (04) Prime + Parallel Group 23-24 in Sequence 17-24 Non-Int in TT-ORI117 (04)	1100 Secs (1100 Secs) [==>]	[3]
25	(25) JWST-NEP-TD F	ACS/WFC, ACCUM, WFC	F606W	POS TARG 98.2911 5936845639,350.377 83819723046; GS ACQ SCENARIO BASE103	Sequence 25-32 Non-Int in TT-ORI117 (04) Prime + Parallel Group 25-26 in Sequence 25-32 Non-Int in TT-ORI117 (04)	854 Secs (854 Secs) [==>]	[4]

Proposal 17924 - TT-ORI117 (04) - TREASURETROVE: Tracing the Growth of SMBHs and Spheroids through Variability and Transie...

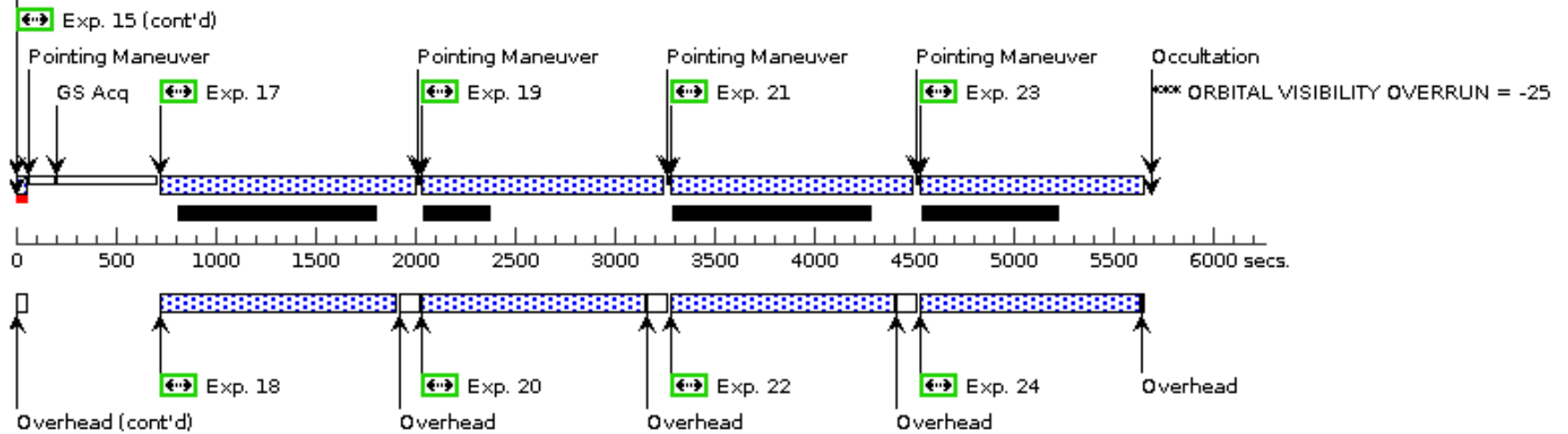
26	ANY	WFC3/UVIS, ACCUM, UVIS	F606W		Sequence 25-32 Non-Int in TT-ORI117 (04) Prime + Parallel Group 25-26 in Sequence 25-32 Non-Int in TT-ORI117 (04)	934 Secs (934 Secs) [==>]	[4]
27	(25) JWST-NEP-TD F	ACS/WFC, ACCUM, WFC	F606W	POS TARG 98.4392 293684564,350.4640 7819723044	Sequence 25-32 Non-Int in TT-ORI117 (04) Prime + Parallel Group 27-28 in Sequence 25-32 Non-Int in TT-ORI117 (04)	860 Secs (860 Secs) [==>]	[4]
28	ANY	WFC3/UVIS, ACCUM, UVIS	F606W		Sequence 25-32 Non-Int in TT-ORI117 (04) Prime + Parallel Group 27-28 in Sequence 25-32 Non-Int in TT-ORI117 (04)	890 Secs (890 Secs) [==>]	[4]
29	(25) JWST-NEP-TD F	ACS/WFC, ACCUM, WFC	F606W	POS TARG 98.5133 0936845639,350.259 1781972305	Sequence 25-32 Non-Int in TT-ORI117 (04) Prime + Parallel Group 29-30 in Sequence 25-32 Non-Int in TT-ORI117 (04)	860 Secs (860 Secs) [==>]	[4]
30	ANY	WFC3/UVIS, ACCUM, UVIS	F606W		Sequence 25-32 Non-Int in TT-ORI117 (04) Prime + Parallel Group 29-30 in Sequence 25-32 Non-Int in TT-ORI117 (04)	890 Secs (890 Secs) [==>]	[4]
31	(25) JWST-NEP-TD F	ACS/WFC, ACCUM, WFC	F606W	POS TARG 98.3652 0936845639,350.172 9481972305	Sequence 25-32 Non-Int in TT-ORI117 (04) Prime + Parallel Group 31-32 in Sequence 25-32 Non-Int in TT-ORI117 (04)	1081 Secs (1081 Secs) [==>]	[4]
32	ANY	WFC3/UVIS, ACCUM, UVIS	F606W		Sequence 25-32 Non-Int in TT-ORI117 (04) Prime + Parallel Group 31-32 in Sequence 25-32 Non-Int in TT-ORI117 (04)	1091 Secs (1091 Secs) [==>]	[4]



Orbit 3

Server Version: 20250624

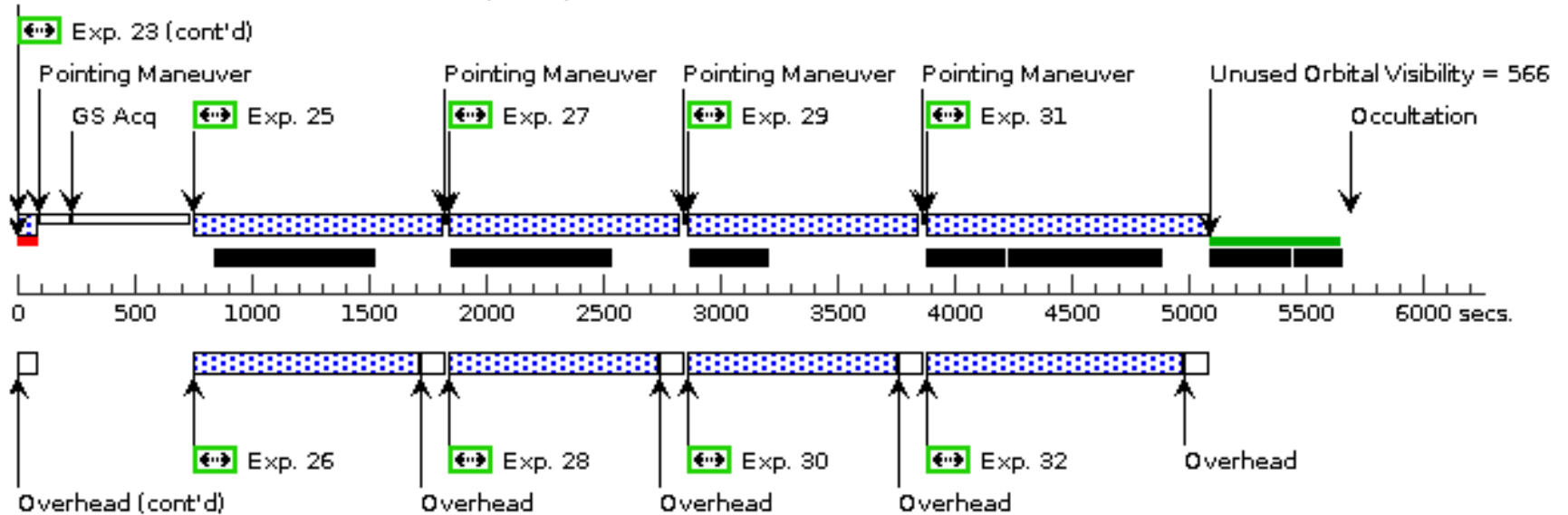
*** ORBITAL VISIBILITY OVERRUN = 60 (cont'd)

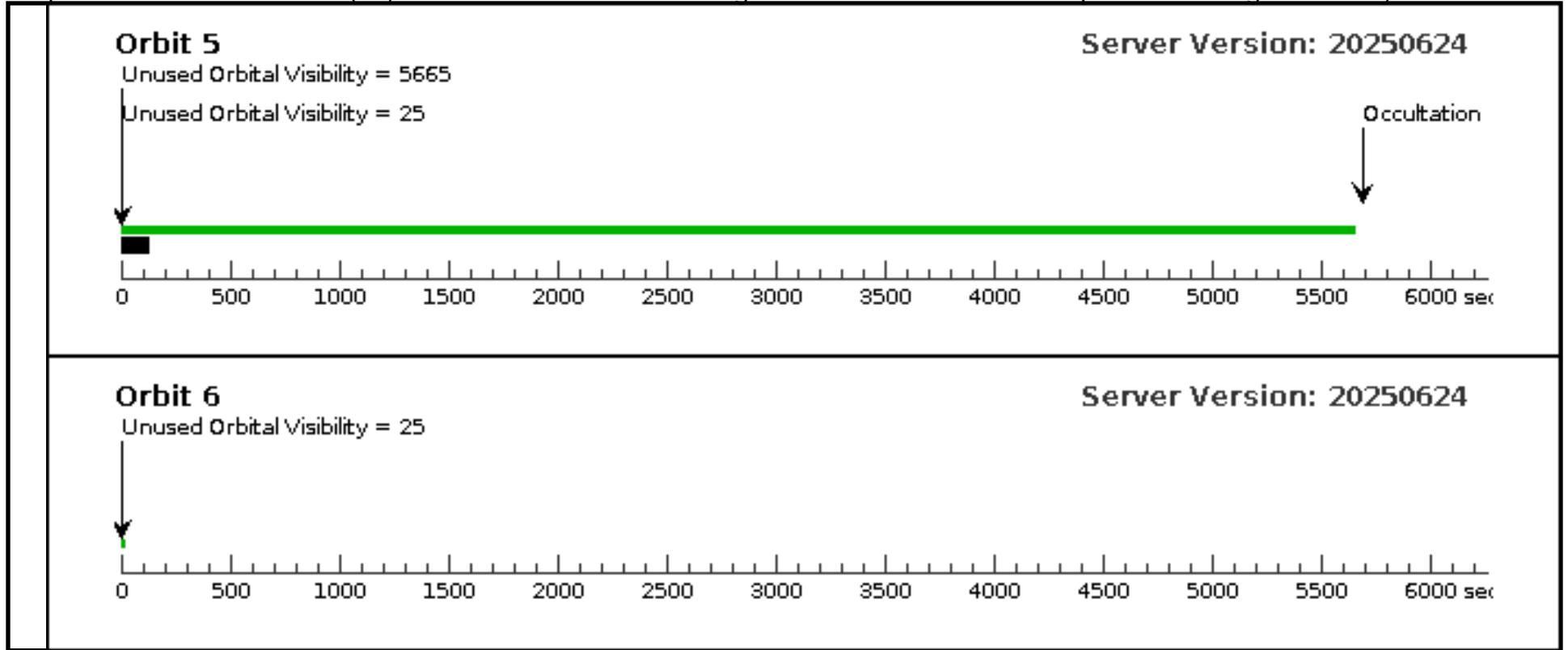


Orbit 4

Server Version: 20250624

*** ORBITAL VISIBILITY OVERRUN = 95 (cont'd)



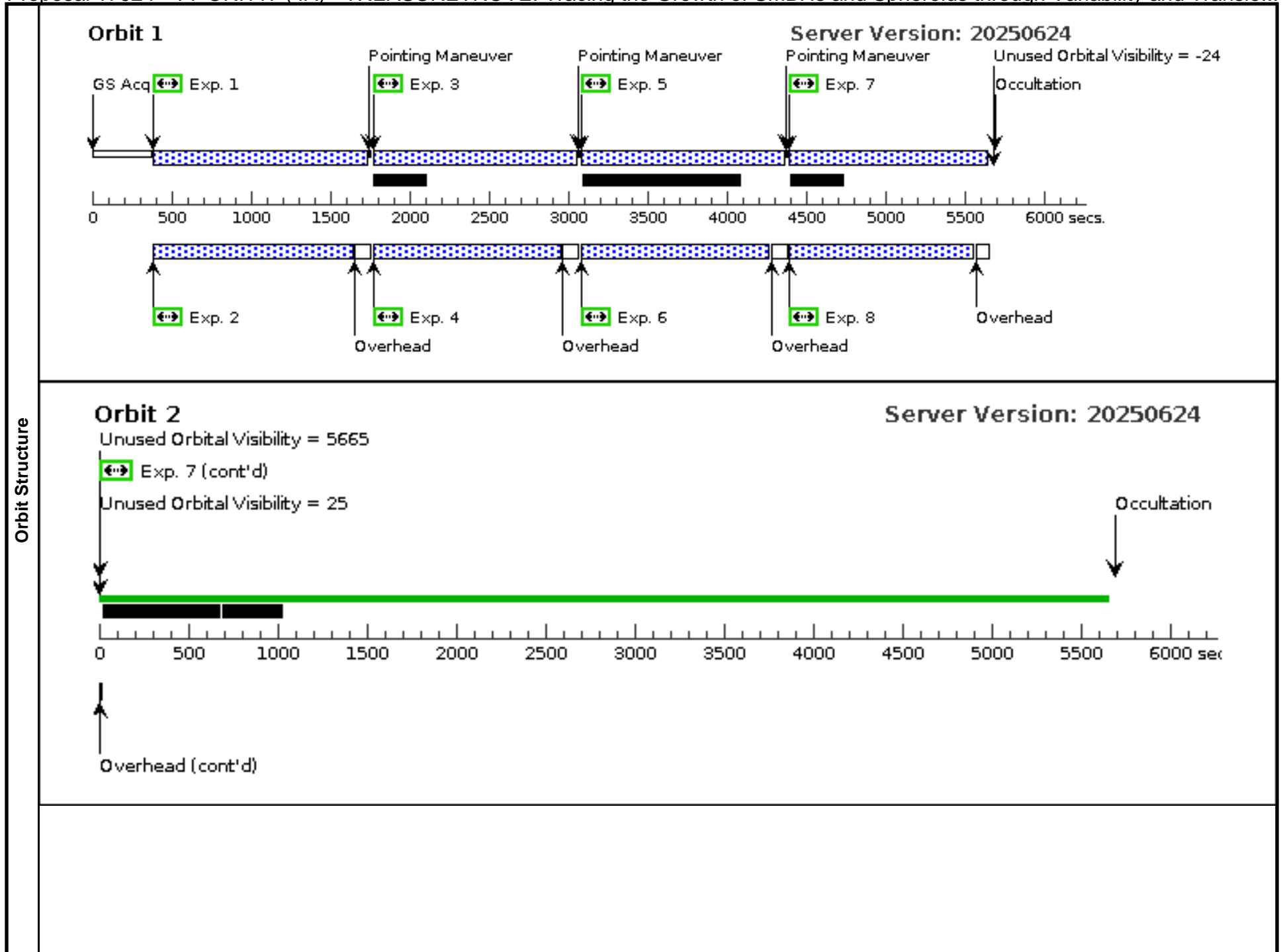


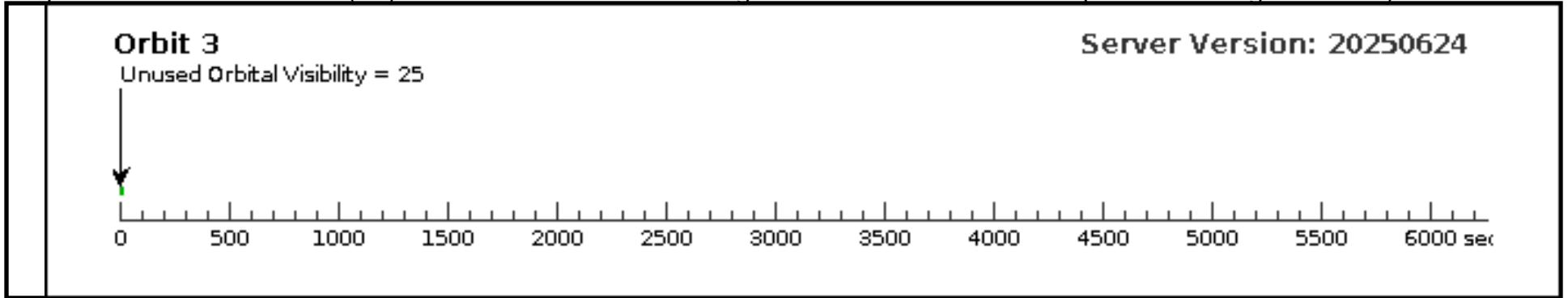
Proposal 17924 - TT-ORI117 (4A) - TREASURETROVE: Tracing the Growth of SMBHs and Spheroids through Variability and Transie...

Visit	Proposal 17924, TT-ORI117 (4A), completed Thu Sep 18 15:03:50 GMT 2025 Diagnostic Status: Warning Scientific Instruments: WFC3/UVIS, ACS/WFC Special Requirements: BRIGHT EARTH AVOID 13.5D; ORIENT 117D TO 117 D; BETWEEN 15-JUL-2025:00:00:00 AND 15-SEP-2025:00:00:00; VISIBILITY INTERVAL 5690 S																												
	Diagnosics (TT-ORI117 (4A)) Warning (Form): Visibility Interval should be no longer than 1 Orbit (5665.0 secs). (TT-ORI117 (4A)) Warning (Orbit Planner): NO VISIBILITY TABLE CORRESPONDING TO BRIGHT EARTH AVOIDANCE ANGLE (TT-ORI117 (4A)) Warning (Orbit Planner): POS TARG OUTSIDE OF APERTURE (TT-ORI117 (4A)) Warning (Orbit Planner): POS TARG OUTSIDE OF APERTURE (TT-ORI117 (4A)) Warning (Orbit Planner): POS TARG OUTSIDE OF APERTURE (TT-ORI117 (4A)) Warning (Orbit Planner): POS TARG OUTSIDE OF APERTURE (TT-ORI117 (4A)) Informational (Form): The specified Bright Earth Avoidance angle is outside the permitted range.																												
Fixed Targets	<table border="1"> <thead> <tr> <th>#</th> <th>Name</th> <th>Target Coordinates</th> <th>Targ. Coord. Corrections</th> <th>Fluxes</th> <th>Miscellaneous</th> </tr> </thead> <tbody> <tr> <td>(25)</td> <td>JWST-NEP-TDF</td> <td>RA: 17 22 47.8960 (260.6995667d)</td> <td>Epoch of Position: 2000.0</td> <td>V=27.0+/-1.0</td> <td>Reference Frame: ICRS</td> </tr> <tr> <td></td> <td>Alt Name1: WTDF</td> <td>Dec: +65 49 21.54 (65.82265d)</td> <td></td> <td></td> <td></td> </tr> <tr> <td></td> <td></td> <td>Equinox: J2000</td> <td></td> <td></td> <td></td> </tr> </tbody> </table>					#	Name	Target Coordinates	Targ. Coord. Corrections	Fluxes	Miscellaneous	(25)	JWST-NEP-TDF	RA: 17 22 47.8960 (260.6995667d)	Epoch of Position: 2000.0	V=27.0+/-1.0	Reference Frame: ICRS		Alt Name1: WTDF	Dec: +65 49 21.54 (65.82265d)						Equinox: J2000			
	#	Name	Target Coordinates	Targ. Coord. Corrections	Fluxes	Miscellaneous																							
(25)	JWST-NEP-TDF	RA: 17 22 47.8960 (260.6995667d)	Epoch of Position: 2000.0	V=27.0+/-1.0	Reference Frame: ICRS																								
	Alt Name1: WTDF	Dec: +65 49 21.54 (65.82265d)																											
		Equinox: J2000																											
<p><i>Comments: The target field is the central ~5' radius portion of the JWST North Ecliptic Pole (NEP) Time-Domain Field (TDF), for which allocated JWST GTO observations will provide both NIRCcam imaging and NIRISS slitless spectroscopy. This field was defined to be the cleanest >10'x10' area in JWST's northern Continuous Viewing Zone (CVZ), where JWST will conduct a deep extragalactic time-domain survey, with added utility for extreme outer solar system and near-Galactic time-domain science. The JWST-NEP-TDF (or WTDF) is being developed as a *community field*. This HST program will provide contiguous 3-filter coverage in the UV--visible. The specified target coordinates (17:22:47.896, +65:49:21.54) are offset 90" W and ~14"S from the nominal JWST-NEP-TDF field center (17:23:02.55, +65:49:36.0) in Phase I following a detailed evaluation of suitable HST guide stars in the GSCv2.3. The JWST and Chandra field centers will be shifted to match that of HST.</i></p> <p>Category=UNIDENTIFIED Description=[HIGH LATITUDE FIELD, INFRARED EMITTER, OPTICAL EMITTER, ULTRAVIOLET EMITTER]</p>																													

Proposal 17924 - TT-ORI117 (4A) - TREASURETROVE: Tracing the Growth of SMBHs and Spheroids through Variability and Transie...

#	Label	Target	Config,Mode,Aperture	Spectral Els.	Opt. Params.	Special Reqs.	Groups	Exp. Time (Total)/[Actual Dur.]	Orbit
Exposures	1	(25) JWST-NEP-TD F	ACS/WFC, ACCUM, WFC	F606W		POS TARG -96.026 15059196609,135.16 182579648736; GS ACQ SCENARI O BASE103	Sequence 1-8 Non-Int in TT-ORI117 (4A) Prime + Parallel Group 1-2 in Sequence 1-8 Non-Int in TT-ORI117 (4A)	1140 Secs (1140 Secs) [==>]	[1]
	2	ANY	WFC3/UVIS, ACCUM, UVIS	F606W			Sequence 1-8 Non-Int in TT-ORI117 (4A) Prime + Parallel Group 1-2 in Sequence 1-8 Non-Int in TT-ORI117 (4A)	1230 Secs (1230 Secs) [==>]	[1]
	3	(25) JWST-NEP-TD F	ACS/WFC, ACCUM, WFC	F606W		POS TARG -95.878 08059196608,135.24 806579648737	Sequence 1-8 Non-Int in TT-ORI117 (4A) Prime + Parallel Group 3-4 in Sequence 1-8 Non-Int in TT-ORI117 (4A)	1155 Secs (1155 Secs) [==>]	[1]
	4	ANY	WFC3/UVIS, ACCUM, UVIS	F606W			Sequence 1-8 Non-Int in TT-ORI117 (4A) Prime + Parallel Group 3-4 in Sequence 1-8 Non-Int in TT-ORI117 (4A)	1185 Secs (1185 Secs) [==>]	[1]
	5	(25) JWST-NEP-TD F	ACS/WFC, ACCUM, WFC	F606W		POS TARG -95.804 00059196609,135.04 316579648736	Sequence 1-8 Non-Int in TT-ORI117 (4A) Prime + Parallel Group 5-6 in Sequence 1-8 Non-Int in TT-ORI117 (4A)	1155 Secs (1155 Secs) [==>]	[1]
	6	ANY	WFC3/UVIS, ACCUM, UVIS	F606W			Sequence 1-8 Non-Int in TT-ORI117 (4A) Prime + Parallel Group 5-6 in Sequence 1-8 Non-Int in TT-ORI117 (4A)	1185 Secs (1185 Secs) [==>]	[1]
	7	(25) JWST-NEP-TD F	ACS/WFC, ACCUM, WFC	F606W		POS TARG -95.952 10059196609,134.95 693579648736	Sequence 1-8 Non-Int in TT-ORI117 (4A) Prime + Parallel Group 7-8 in Sequence 1-8 Non-Int in TT-ORI117 (4A)	1155 Secs (1155 Secs) [==>]	[1]
	8	ANY	WFC3/UVIS, ACCUM, UVIS	F606W			Sequence 1-8 Non-Int in TT-ORI117 (4A) Prime + Parallel Group 7-8 in Sequence 1-8 Non-Int in TT-ORI117 (4A)	1165 Secs (1165 Secs) [==>]	[1]



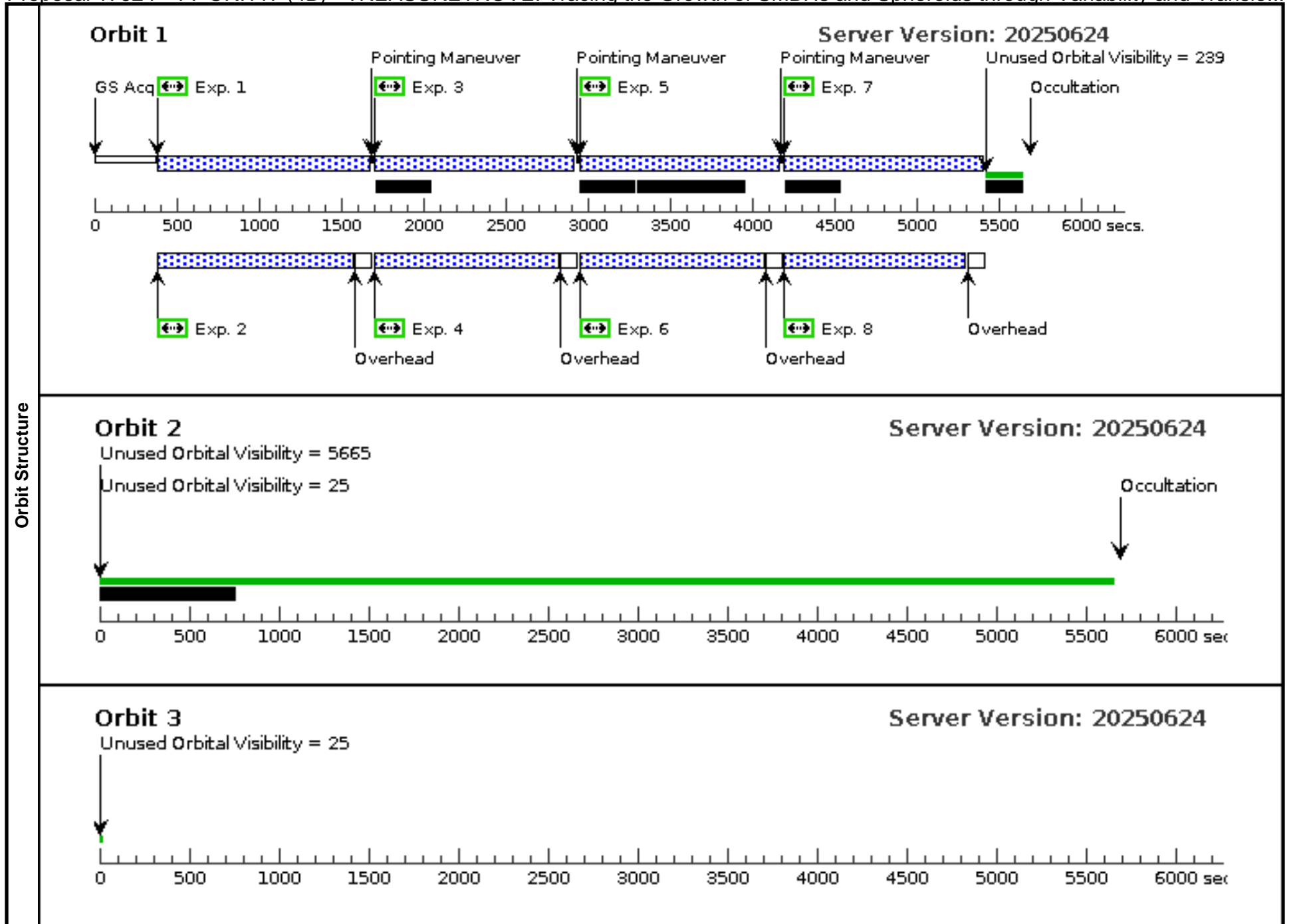


Proposal 17924 - TT-ORI117 (4B) - TREASURETROVE: Tracing the Growth of SMBHs and Spheroids through Variability and Transie...

Visit	<p>Proposal 17924, TT-ORI117 (4B), completed Thu Sep 18 15:03:50 GMT 2025 Diagnostic Status: Warning Scientific Instruments: WFC3/UVIS, ACS/WFC Special Requirements: BRIGHT EARTH AVOID 13.5D; ORIENT 117D TO 117 D; BETWEEN 15-JUL-2025:00:00:00 AND 15-SEP-2025:00:00:00; VISIBILITY INTERVAL 5690 S</p>																
	<p>(TT-ORI117 (4B)) Warning (Form): Visibility Interval should be no longer than 1 Orbit (5665.0 secs). (TT-ORI117 (4B)) Warning (Orbit Planner): NO VISIBILITY TABLE CORRESPONDING TO BRIGHT EARTH AVOIDANCE ANGLE (TT-ORI117 (4B)) Warning (Orbit Planner): POS TARG OUTSIDE OF APERTURE (TT-ORI117 (4B)) Warning (Orbit Planner): POS TARG OUTSIDE OF APERTURE (TT-ORI117 (4B)) Warning (Orbit Planner): POS TARG OUTSIDE OF APERTURE (TT-ORI117 (4B)) Warning (Orbit Planner): POS TARG OUTSIDE OF APERTURE (TT-ORI117 (4B)) Informational (Form): The specified Bright Earth Avoidance angle is outside the permitted range.</p>																
Fixed Targets	<table border="1" style="width: 100%; border-collapse: collapse;"> <thead> <tr> <th data-bbox="136 446 241 479">#</th> <th data-bbox="241 446 472 479">Name</th> <th data-bbox="472 446 892 479">Target Coordinates</th> <th data-bbox="892 446 1228 479">Targ. Coord. Corrections</th> <th data-bbox="1228 446 1564 479">Fluxes</th> <th data-bbox="1564 446 2005 479">Miscellaneous</th> </tr> </thead> <tbody> <tr> <td data-bbox="136 479 241 576">(25)</td> <td data-bbox="241 479 472 576"> JWST-NEP-TDF Alt Name1: WTDF </td> <td data-bbox="472 479 892 576"> RA: 17 22 47.8960 (260.6995667d) Dec: +65 49 21.54 (65.82265d) Equinox: J2000 </td> <td data-bbox="892 479 1228 576">Epoch of Position: 2000.0</td> <td data-bbox="1228 479 1564 576">V=27.0+/-1.0</td> <td data-bbox="1564 479 2005 576">Reference Frame: ICRS</td> </tr> </tbody> </table> <p><i>Comments: The target field is the central ~5' radius portion of the JWST North Ecliptic Pole (NEP) Time-Domain Field (TDF), for which allocated JWST GTO observations will provide both NIRCcam imaging and NIRISS slitless spectroscopy. This field was defined to be the cleanest >10'x10' area in JWST's northern Continuous Viewing Zone (CVZ), where JWST will conduct a deep extragalactic time-domain survey, with added utility for extreme outer solar system and near-Galactic time-domain science. The JWST-NEP-TDF (or WTDF) is being developed as a *community field*. This HST program will provide contiguous 3-filter coverage in the UV--visible. The specified target coordinates (17:22:47.896, +65:49:21.54) are offset 90" W and ~14"S from the nominal JWST-NEP-TDF field center (17:23:02.55, +65:49:36.0) in Phase I following a detailed evaluation of suitable HST guide stars in the GSCv2.3. The JWST and Chandra field centers will be shifted to match that of HST.</i></p> <p>Category=UNIDENTIFIED Description=[HIGH LATITUDE FIELD, INFRARED EMITTER, OPTICAL EMITTER, ULTRAVIOLET EMITTER]</p>					#	Name	Target Coordinates	Targ. Coord. Corrections	Fluxes	Miscellaneous	(25)	JWST-NEP-TDF Alt Name1: WTDF	RA: 17 22 47.8960 (260.6995667d) Dec: +65 49 21.54 (65.82265d) Equinox: J2000	Epoch of Position: 2000.0	V=27.0+/-1.0	Reference Frame: ICRS
	#	Name	Target Coordinates	Targ. Coord. Corrections	Fluxes	Miscellaneous											
(25)	JWST-NEP-TDF Alt Name1: WTDF	RA: 17 22 47.8960 (260.6995667d) Dec: +65 49 21.54 (65.82265d) Equinox: J2000	Epoch of Position: 2000.0	V=27.0+/-1.0	Reference Frame: ICRS												

Proposal 17924 - TT-ORI117 (4B) - TREASURETROVE: Tracing the Growth of SMBHs and Spheroids through Variability and Transie...

#	Label	Target	Config,Mode,Aperture	Spectral Els.	Opt. Params.	Special Reqs.	Groups	Exp. Time (Total)/[Actual Dur.]	Orbit
Exposures	1	(25) JWST-NEP-TD F	ACS/WFC, ACCUM, WFC	F606W		POS TARG 100.015 22320971621,150.56 838448094175; GS ACQ SCENARI O BASE103	Sequence 1-8 Non-Int in TT-ORI117 (4B) Prime + Parallel Group 1-2 in Sequence 1-8 Non-Int in TT-ORI117 (4B)	1082 Secs (1082 Secs) [==>]	[1]
	2	ANY	WFC3/UVIS, ACCUM, UVIS	F606W			Sequence 1-8 Non-Int in TT-ORI117 (4B) Prime + Parallel Group 1-2 in Sequence 1-8 Non-Int in TT-ORI117 (4B)	1162 Secs (1162 Secs) [==>]	[1]
	3	(25) JWST-NEP-TD F	ACS/WFC, ACCUM, WFC	F606W		POS TARG 100.163 29320971622,150.65 462448094175	Sequence 1-8 Non-Int in TT-ORI117 (4B) Prime + Parallel Group 3-4 in Sequence 1-8 Non-Int in TT-ORI117 (4B)	1090 Secs (1090 Secs) [==>]	[1]
	4	ANY	WFC3/UVIS, ACCUM, UVIS	F606W			Sequence 1-8 Non-Int in TT-ORI117 (4B) Prime + Parallel Group 3-4 in Sequence 1-8 Non-Int in TT-ORI117 (4B)	1120 Secs (1120 Secs) [==>]	[1]
	5	(25) JWST-NEP-TD F	ACS/WFC, ACCUM, WFC	F606W		POS TARG 100.237 37320971621,150.44 972448094174	Sequence 1-8 Non-Int in TT-ORI117 (4B) Prime + Parallel Group 5-6 in Sequence 1-8 Non-Int in TT-ORI117 (4B)	1090 Secs (1090 Secs) [==>]	[1]
	6	ANY	WFC3/UVIS, ACCUM, UVIS	F606W			Sequence 1-8 Non-Int in TT-ORI117 (4B) Prime + Parallel Group 5-6 in Sequence 1-8 Non-Int in TT-ORI117 (4B)	1120 Secs (1120 Secs) [==>]	[1]
	7	(25) JWST-NEP-TD F	ACS/WFC, ACCUM, WFC	F606W		POS TARG 100.089 27320971621,150.36 349448094174	Sequence 1-8 Non-Int in TT-ORI117 (4B) Prime + Parallel Group 7-8 in Sequence 1-8 Non-Int in TT-ORI117 (4B)	1090 Secs (1090 Secs) [==>]	[1]
	8	ANY	WFC3/UVIS, ACCUM, UVIS	F606W			Sequence 1-8 Non-Int in TT-ORI117 (4B) Prime + Parallel Group 7-8 in Sequence 1-8 Non-Int in TT-ORI117 (4B)	1100 Secs (1100 Secs) [==>]	[1]



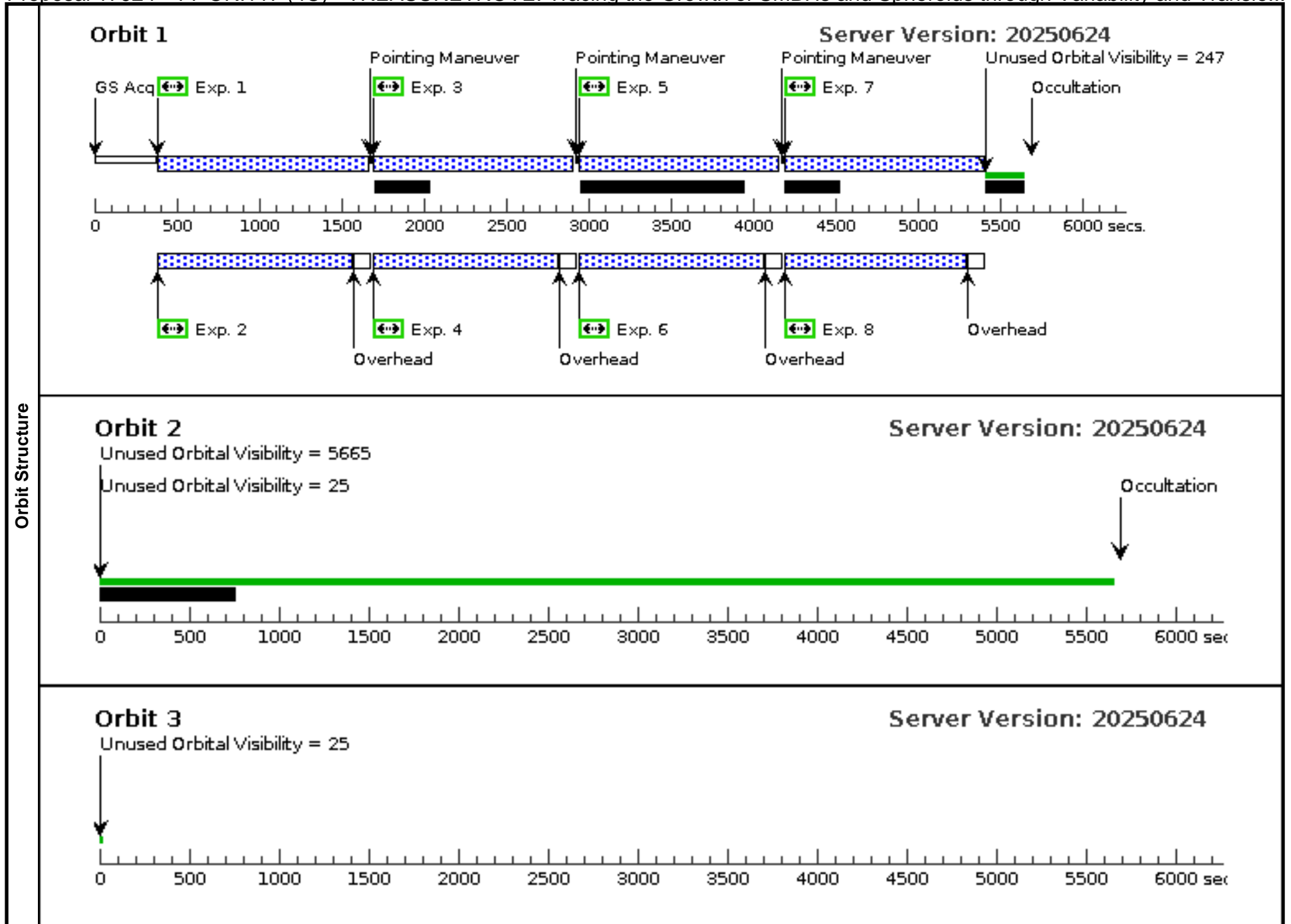
Proposal 17924 - TT-ORI117 (4C) - TREASURETROVE: Tracing the Growth of SMBHs and Spheroids through Variability and Transie...

Thu Sep 18 15:03:50 GMT 2025

Visit	Proposal 17924, TT-ORI117 (4C), completed Diagnostic Status: Warning Scientific Instruments: WFC3/UVIS, ACS/WFC Special Requirements: BRIGHT EARTH AVOID 13.5D; ORIENT 117D TO 117 D; BETWEEN 15-JUL-2025:00:00:00 AND 15-SEP-2025:00:00:00; VISIBILITY INTERVAL 5690 S																												
	(TT-ORI117 (4C)) Warning (Form): Visibility Interval should be no longer than 1 Orbit (5665.0 secs). (TT-ORI117 (4C)) Warning (Orbit Planner): NO VISIBILITY TABLE CORRESPONDING TO BRIGHT EARTH AVOIDANCE ANGLE (TT-ORI117 (4C)) Warning (Orbit Planner): POS TARG OUTSIDE OF APERTURE (TT-ORI117 (4C)) Warning (Orbit Planner): POS TARG OUTSIDE OF APERTURE (TT-ORI117 (4C)) Warning (Orbit Planner): POS TARG OUTSIDE OF APERTURE (TT-ORI117 (4C)) Warning (Orbit Planner): POS TARG OUTSIDE OF APERTURE (TT-ORI117 (4C)) Informational (Form): The specified Bright Earth Avoidance angle is outside the permitted range.																												
Diagnosics																													
Fixed Targets	<table border="1"> <thead> <tr> <th>#</th> <th>Name</th> <th>Target Coordinates</th> <th>Targ. Coord. Corrections</th> <th>Fluxes</th> <th>Miscellaneous</th> </tr> </thead> <tbody> <tr> <td>(25)</td> <td>JWST-NEP-TDF</td> <td>RA: 17 22 47.8960 (260.6995667d)</td> <td>Epoch of Position: 2000.0</td> <td>V=27.0+/-1.0</td> <td>Reference Frame: ICRS</td> </tr> <tr> <td></td> <td>Alt Name1: WTDF</td> <td>Dec: +65 49 21.54 (65.82265d)</td> <td></td> <td></td> <td></td> </tr> <tr> <td></td> <td></td> <td>Equinox: J2000</td> <td></td> <td></td> <td></td> </tr> </tbody> </table>	#	Name	Target Coordinates	Targ. Coord. Corrections	Fluxes	Miscellaneous	(25)	JWST-NEP-TDF	RA: 17 22 47.8960 (260.6995667d)	Epoch of Position: 2000.0	V=27.0+/-1.0	Reference Frame: ICRS		Alt Name1: WTDF	Dec: +65 49 21.54 (65.82265d)						Equinox: J2000							
	#	Name	Target Coordinates	Targ. Coord. Corrections	Fluxes	Miscellaneous																							
(25)	JWST-NEP-TDF	RA: 17 22 47.8960 (260.6995667d)	Epoch of Position: 2000.0	V=27.0+/-1.0	Reference Frame: ICRS																								
	Alt Name1: WTDF	Dec: +65 49 21.54 (65.82265d)																											
		Equinox: J2000																											
<p><i>Comments: The target field is the central ~5' radius portion of the JWST North Ecliptic Pole (NEP) Time-Domain Field (TDF), for which allocated JWST GTO observations will provide both NIRCcam imaging and NIRISS slitless spectroscopy. This field was defined to be the cleanest >10'x10' area in JWST's northern Continuous Viewing Zone (CVZ), where JWST will conduct a deep extragalactic time-domain survey, with added utility for extreme outer solar system and near-Galactic time-domain science. The JWST-NEP-TDF (or WTDF) is being developed as a *community field*. This HST program will provide contiguous 3-filter coverage in the UV--visible. The specified target coordinates (17:22:47.896, +65:49:21.54) are offset 90" W and ~14"S from the nominal JWST-NEP-TDF field center (17:23:02.55, +65:49:36.0) in Phase I following a detailed evaluation of suitable HST guide stars in the GSCv2.3. The JWST and Chandra field centers will be shifted to match that of HST.</i></p> <p>Category=UNIDENTIFIED Description=[HIGH LATITUDE FIELD, INFRARED EMITTER, OPTICAL EMITTER, ULTRAVIOLET EMITTER]</p>																													

Proposal 17924 - TT-ORI117 (4C) - TREASURETROVE: Tracing the Growth of SMBHs and Spheroids through Variability and Transie...

#	Label	Target	Config,Mode,Aperture	Spectral Els.	Opt. Params.	Special Reqs.	Groups	Exp. Time (Total)/[Actual Dur.]	Orbit
Exposures	1	(25) JWST-NEP-TD F	ACS/WFC, ACCUM, WFC	F606W		POS TARG -97.770 97992193157,334.97 876252635194; GS ACQ SCENARI O BASE103	Sequence 1-8 Non-Int in TT-ORI117 (4C) Prime + Parallel Group 1-2 in Sequence 1-8 Non-Int in TT-ORI117 (4C)	1074 Secs (1074 Secs) [==>]	[1]
	2	ANY	WFC3/UVIS, ACCUM, UVIS	F606W			Sequence 1-8 Non-Int in TT-ORI117 (4C) Prime + Parallel Group 1-2 in Sequence 1-8 Non-Int in TT-ORI117 (4C)	1154 Secs (1154 Secs) [==>]	[1]
	3	(25) JWST-NEP-TD F	ACS/WFC, ACCUM, WFC	F606W		POS TARG -97.622 90992193157,335.06 50025263519	Sequence 1-8 Non-Int in TT-ORI117 (4C) Prime + Parallel Group 3-4 in Sequence 1-8 Non-Int in TT-ORI117 (4C)	1090 Secs (1090 Secs) [==>]	[1]
	4	ANY	WFC3/UVIS, ACCUM, UVIS	F606W			Sequence 1-8 Non-Int in TT-ORI117 (4C) Prime + Parallel Group 3-4 in Sequence 1-8 Non-Int in TT-ORI117 (4C)	1120 Secs (1120 Secs) [==>]	[1]
	5	(25) JWST-NEP-TD F	ACS/WFC, ACCUM, WFC	F606W		POS TARG -97.548 82992193157,334.86 010252635197	Sequence 1-8 Non-Int in TT-ORI117 (4C) Prime + Parallel Group 5-6 in Sequence 1-8 Non-Int in TT-ORI117 (4C)	1090 Secs (1090 Secs) [==>]	[1]
	6	ANY	WFC3/UVIS, ACCUM, UVIS	F606W			Sequence 1-8 Non-Int in TT-ORI117 (4C) Prime + Parallel Group 5-6 in Sequence 1-8 Non-Int in TT-ORI117 (4C)	1120 Secs (1120 Secs) [==>]	[1]
	7	(25) JWST-NEP-TD F	ACS/WFC, ACCUM, WFC	F606W		POS TARG -97.696 92992193157,334.77 387252635197	Sequence 1-8 Non-Int in TT-ORI117 (4C) Prime + Parallel Group 7-8 in Sequence 1-8 Non-Int in TT-ORI117 (4C)	1090 Secs (1090 Secs) [==>]	[1]
	8	ANY	WFC3/UVIS, ACCUM, UVIS	F606W			Sequence 1-8 Non-Int in TT-ORI117 (4C) Prime + Parallel Group 7-8 in Sequence 1-8 Non-Int in TT-ORI117 (4C)	1100 Secs (1100 Secs) [==>]	[1]



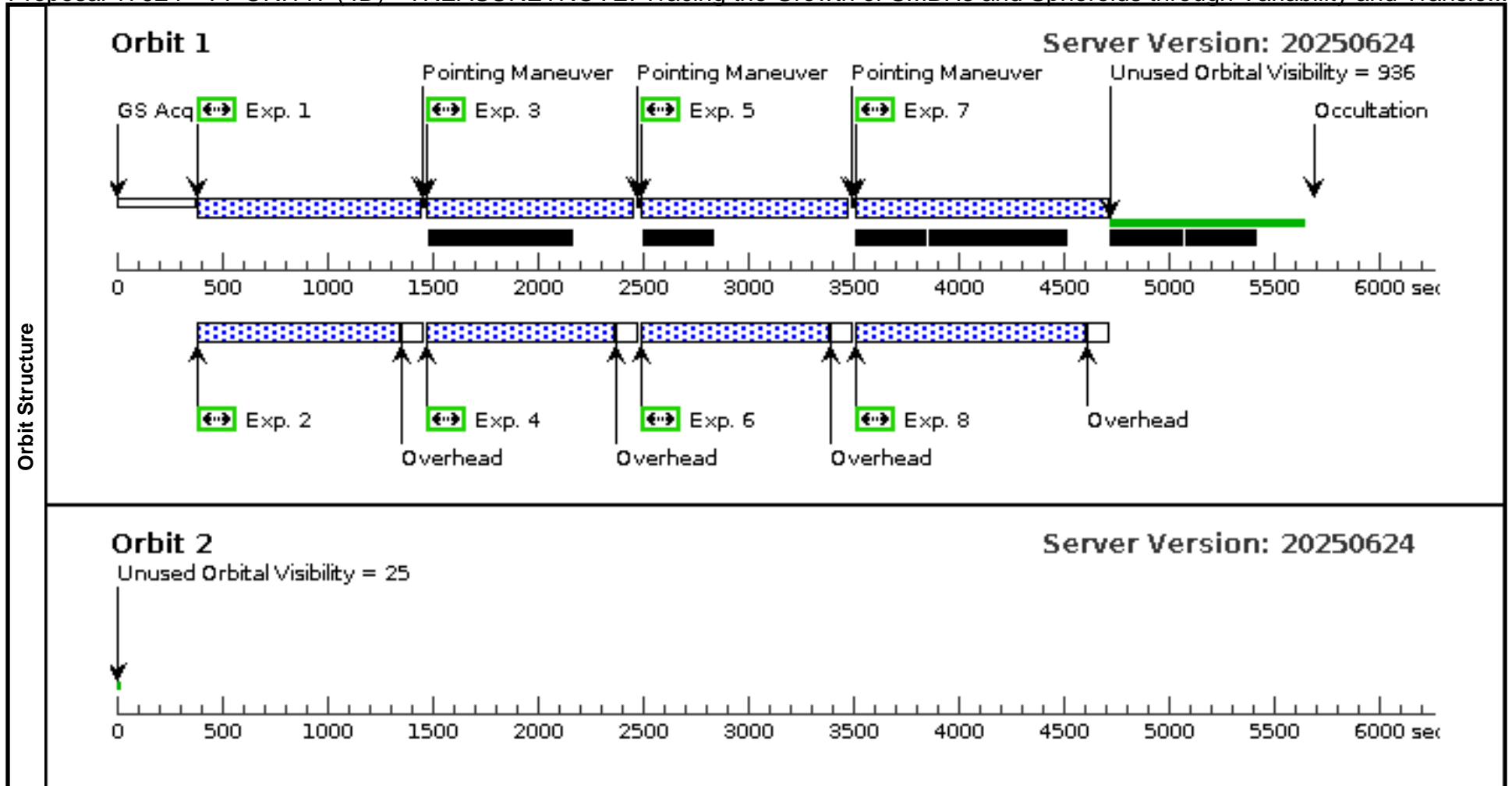
Proposal 17924 - TT-ORI117 (4D) - TREASURETROVE: Tracing the Growth of SMBHs and Spheroids through Variability and Transie...

Thu Sep 18 15:03:50 GMT 2025

Visit	Proposal 17924, TT-ORI117 (4D), completed Diagnostic Status: Warning Scientific Instruments: WFC3/UVIS, ACS/WFC Special Requirements: BRIGHT EARTH AVOID 13.5D; ORIENT 117D TO 117 D; BETWEEN 15-JUL-2025:00:00:00 AND 15-SEP-2025:00:00:00; VISIBILITY INTERVAL 5690 S																												
	(TT-ORI117 (4D)) Warning (Form): Visibility Interval should be no longer than 1 Orbit (5665.0 secs). (TT-ORI117 (4D)) Warning (Orbit Planner): NO VISIBILITY TABLE CORRESPONDING TO BRIGHT EARTH AVOIDANCE ANGLE (TT-ORI117 (4D)) Warning (Orbit Planner): POS TARG OUTSIDE OF APERTURE (TT-ORI117 (4D)) Warning (Orbit Planner): POS TARG OUTSIDE OF APERTURE (TT-ORI117 (4D)) Warning (Orbit Planner): POS TARG OUTSIDE OF APERTURE (TT-ORI117 (4D)) Warning (Orbit Planner): POS TARG OUTSIDE OF APERTURE (TT-ORI117 (4D)) Informational (Form): The specified Bright Earth Avoidance angle is outside the permitted range.																												
Diagnosics																													
Fixed Targets	<table border="1"> <thead> <tr> <th>#</th> <th>Name</th> <th>Target Coordinates</th> <th>Targ. Coord. Corrections</th> <th>Fluxes</th> <th>Miscellaneous</th> </tr> </thead> <tbody> <tr> <td>(25)</td> <td>JWST-NEP-TDF</td> <td>RA: 17 22 47.8960 (260.6995667d)</td> <td>Epoch of Position: 2000.0</td> <td>V=27.0+/-1.0</td> <td>Reference Frame: ICRS</td> </tr> <tr> <td></td> <td>Alt Name1: WTDF</td> <td>Dec: +65 49 21.54 (65.82265d)</td> <td></td> <td></td> <td></td> </tr> <tr> <td></td> <td></td> <td>Equinox: J2000</td> <td></td> <td></td> <td></td> </tr> </tbody> </table>	#	Name	Target Coordinates	Targ. Coord. Corrections	Fluxes	Miscellaneous	(25)	JWST-NEP-TDF	RA: 17 22 47.8960 (260.6995667d)	Epoch of Position: 2000.0	V=27.0+/-1.0	Reference Frame: ICRS		Alt Name1: WTDF	Dec: +65 49 21.54 (65.82265d)						Equinox: J2000							
	#	Name	Target Coordinates	Targ. Coord. Corrections	Fluxes	Miscellaneous																							
(25)	JWST-NEP-TDF	RA: 17 22 47.8960 (260.6995667d)	Epoch of Position: 2000.0	V=27.0+/-1.0	Reference Frame: ICRS																								
	Alt Name1: WTDF	Dec: +65 49 21.54 (65.82265d)																											
		Equinox: J2000																											
<p><i>Comments: The target field is the central ~5' radius portion of the JWST North Ecliptic Pole (NEP) Time-Domain Field (TDF), for which allocated JWST GTO observations will provide both NIRCcam imaging and NIRISS slitless spectroscopy. This field was defined to be the cleanest >10'x10' area in JWST's northern Continuous Viewing Zone (CVZ), where JWST will conduct a deep extragalactic time-domain survey, with added utility for extreme outer solar system and near-Galactic time-domain science. The JWST-NEP-TDF (or WTDF) is being developed as a *community field*. This HST program will provide contiguous 3-filter coverage in the UV--visible. The specified target coordinates (17:22:47.896, +65:49:21.54) are offset 90" W and ~14"S from the nominal JWST-NEP-TDF field center (17:23:02.55, +65:49:36.0) in Phase I following a detailed evaluation of suitable HST guide stars in the GSCv2.3. The JWST and Chandra field centers will be shifted to match that of HST.</i></p> <p>Category=UNIDENTIFIED Description=[HIGH LATITUDE FIELD, INFRARED EMITTER, OPTICAL EMITTER, ULTRAVIOLET EMITTER]</p>																													

Proposal 17924 - TT-ORI117 (4D) - TREASURETROVE: Tracing the Growth of SMBHs and Spheroids through Variability and Transie...

#	Label	Target	Config,Mode,Aperture	Spectral Els.	Opt. Params.	Special Reqs.	Groups	Exp. Time (Total)/[Actual Dur.]	Orbit
Exposures	1	(25) JWST-NEP-TD F	ACS/WFC, ACCUM, WFC	F606W		POS TARG 98.2911 5936845639,350.377 83819723046; GS ACQ SCENARI O BASE103	Sequence 1-8 Non-Int in TT-ORI117 (4D) Prime + Parallel Gro up 1-2 in Sequence 1 -8 Non-Int in TT-OR I117 (4D)	854 Secs (854 Secs) [==>]	[1]
	2	ANY	WFC3/UVIS, ACCUM, UVIS	F606W			Sequence 1-8 Non-Int in TT-ORI117 (4D) Prime + Parallel Gro up 1-2 in Sequence 1 -8 Non-Int in TT-OR I117 (4D)	934 Secs (934 Secs) [==>]	[1]
	3	(25) JWST-NEP-TD F	ACS/WFC, ACCUM, WFC	F606W		POS TARG 98.4392 293684564,350.4640 7819723044	Sequence 1-8 Non-Int in TT-ORI117 (4D) Prime + Parallel Gro up 3-4 in Sequence 1 -8 Non-Int in TT-OR I117 (4D)	860 Secs (860 Secs) [==>]	[1]
	4	ANY	WFC3/UVIS, ACCUM, UVIS	F606W			Sequence 1-8 Non-Int in TT-ORI117 (4D) Prime + Parallel Gro up 3-4 in Sequence 1 -8 Non-Int in TT-OR I117 (4D)	890 Secs (890 Secs) [==>]	[1]
	5	(25) JWST-NEP-TD F	ACS/WFC, ACCUM, WFC	F606W		POS TARG 98.5133 0936845639,350.259 1781972305	Sequence 1-8 Non-Int in TT-ORI117 (4D) Prime + Parallel Gro up 5-6 in Sequence 1 -8 Non-Int in TT-OR I117 (4D)	860 Secs (860 Secs) [==>]	[1]
	6	ANY	WFC3/UVIS, ACCUM, UVIS	F606W			Sequence 1-8 Non-Int in TT-ORI117 (4D) Prime + Parallel Gro up 5-6 in Sequence 1 -8 Non-Int in TT-OR I117 (4D)	890 Secs (890 Secs) [==>]	[1]
	7	(25) JWST-NEP-TD F	ACS/WFC, ACCUM, WFC	F606W		POS TARG 98.3652 0936845639,350.172 9481972305	Sequence 1-8 Non-Int in TT-ORI117 (4D) Prime + Parallel Gro up 7-8 in Sequence 1 -8 Non-Int in TT-OR I117 (4D)	1081 Secs (1081 Secs) [==>]	[1]
	8	ANY	WFC3/UVIS, ACCUM, UVIS	F606W			Sequence 1-8 Non-Int in TT-ORI117 (4D) Prime + Parallel Gro up 7-8 in Sequence 1 -8 Non-Int in TT-OR I117 (4D)	1091 Secs (1091 Secs) [==>]	[1]



Proposal 17924 - TT-ORI068 (05) - TREASURETROVE: Tracing the Growth of SMBHs and Spheroids through Variability and Transie...

Thu Sep 18 15:03:50 GMT 2025

Visit	<p>Proposal 17924, TT-ORI068 (05), withdrawn</p> <p>Diagnostic Status: Error</p> <p>Scientific Instruments: WFC3/UVIS, ACS/WFC</p> <p>Special Requirements: BRIGHT EARTH AVOID 13.5D; ORIENT 68D TO 68 D; BETWEEN 01-SEP-2025:00:00:00 AND 01-NOV-2025:00:00:00; VISIBILITY INTERVAL 5690 S</p> <p><i>Comments: preferred orient is 68</i></p>						
	Diagnostics	<p>(TT-ORI068 (05)) Error (Form): The specified Bright Earth Avoidance angle is outside the permitted range.</p> <p>(TT-ORI068 (05)) Error (Orbit Planner): ORBIT PLANNER SERVER INTERNAL ERROR</p> <p>(TT-ORI068 (05)) Warning (Form): Visibility Interval should be no longer than 1 Orbit (5665.0 secs).</p> <p>(TT-ORI068 (05)) Warning (Orbit Planner): NO VISIBILITY TABLE CORRESPONDING TO BRIGHT EARTH AVOIDANCE ANGLE</p> <p>(TT-ORI068 (05)) Warning (Orbit Planner): POS TARG OUTSIDE OF APERTURE</p> <p>(TT-ORI068 (05)) Warning (Orbit Planner): POS TARG OUTSIDE OF APERTURE</p> <p>(TT-ORI068 (05)) Warning (Orbit Planner): POS TARG OUTSIDE OF APERTURE</p> <p>(TT-ORI068 (05)) Warning (Orbit Planner): POS TARG OUTSIDE OF APERTURE</p> <p>(TT-ORI068 (05)) Warning (Orbit Planner): POS TARG OUTSIDE OF APERTURE</p> <p>(TT-ORI068 (05)) Warning (Orbit Planner): POS TARG OUTSIDE OF APERTURE</p> <p>(TT-ORI068 (05)) Warning (Orbit Planner): POS TARG OUTSIDE OF APERTURE</p> <p>(TT-ORI068 (05)) Warning (Orbit Planner): POS TARG OUTSIDE OF APERTURE</p> <p>(TT-ORI068 (05)) Warning (Orbit Planner): POS TARG OUTSIDE OF APERTURE</p> <p>(TT-ORI068 (05)) Warning (Orbit Planner): POS TARG OUTSIDE OF APERTURE</p> <p>(TT-ORI068 (05)) Warning (Orbit Planner): POS TARG OUTSIDE OF APERTURE</p> <p>(TT-ORI068 (05)) Warning (Orbit Planner): POS TARG OUTSIDE OF APERTURE</p> <p>(TT-ORI068 (05)) Warning (Orbit Planner): POS TARG OUTSIDE OF APERTURE</p>					
Fixed Targets		#	Name	Target Coordinates	Targ. Coord. Corrections	Fluxes	Miscellaneous
		(25)	JWST-NEP-TDF Alt Name1: WTDF	RA: 17 22 47.8960 (260.6995667d) Dec: +65 49 21.54 (65.82265d) Equinox: J2000	Epoch of Position: 2000.0	V=27.0+/-1.0	Reference Frame: ICRS
<p><i>Comments: The target field is the central ~5' radius portion of the JWST North Ecliptic Pole (NEP) Time-Domain Field (TDF), for which allocated JWST GTO observations will provide both NIRCcam imaging and NIRISS slitless spectroscopy. This field was defined to be the cleanest >10'x10' area in JWST's northern Continuous Viewing Zone (CVZ), where JWST will conduct a deep extragalactic time-domain survey, with added utility for extreme outer solar system and near-Galactic time-domain science. The JWST-NEP-TDF (or WTDF) is being developed as a *community field*. This HST program will provide contiguous 3-filter coverage in the UV--visible. The specified target coordinates (17:22:47.896, +65:49:21.54) are offset 90" W and ~14"S from the nominal JWST-NEP-TDF field center (17:23:02.55, +65:49:36.0) in Phase I following a detailed evaluation of suitable HST guide stars in the GSCv2.3. The JWST and Chandra field centers will be shifted to match that of HST.</i></p> <p>Category=UNIDENTIFIED</p> <p>Description=[HIGH LATITUDE FIELD, INFRARED EMITTER, OPTICAL EMITTER, ULTRAVIOLET EMITTER]</p>							

Proposal 17924 - TT-ORI068 (05) - TREASUREROVE: Tracing the Growth of SMBHs and Spheroids through Variability and Transie...

#	Label	Target	Config,Mode,Aperture	Spectral Els.	Opt. Params.	Special Reqs.	Groups	Exp. Time (Total)/[Actual Dur.]	Orbit
Exposures	1	(25) JWST-NEP-TD F	ACS/WFC, ACCUM, WFC	F606W		POS TARG -96.026 15059196609,135.16 182579648736; GS ACQ SCENARI O BASE103	Sequence 1-8 Non-Int in TT-ORI068 (05) Prime + Parallel Group 1-2 in Sequence 1-8 Non-Int in TT-ORI068 (05)	1140 Secs (1140 Secs) [==>]	[1]
	2	ANY	WFC3/UVIS, ACCUM, UVIS	F606W			Sequence 1-8 Non-Int in TT-ORI068 (05) Prime + Parallel Group 1-2 in Sequence 1-8 Non-Int in TT-ORI068 (05)	1230 Secs (1230 Secs) [==>]	[1]
	3	(25) JWST-NEP-TD F	ACS/WFC, ACCUM, WFC	F606W		POS TARG -95.878 08059196608,135.24 806579648737	Sequence 1-8 Non-Int in TT-ORI068 (05) Prime + Parallel Group 3-4 in Sequence 1-8 Non-Int in TT-ORI068 (05)	1155 Secs (1155 Secs) [==>]	[1]
	4	ANY	WFC3/UVIS, ACCUM, UVIS	F606W			Sequence 1-8 Non-Int in TT-ORI068 (05) Prime + Parallel Group 3-4 in Sequence 1-8 Non-Int in TT-ORI068 (05)	1185 Secs (1185 Secs) [==>]	[1]
	5	(25) JWST-NEP-TD F	ACS/WFC, ACCUM, WFC	F606W		POS TARG -95.804 00059196609,135.04 316579648736	Sequence 1-8 Non-Int in TT-ORI068 (05) Prime + Parallel Group 5-6 in Sequence 1-8 Non-Int in TT-ORI068 (05)	1155 Secs (1155 Secs) [==>]	[1]
	6	ANY	WFC3/UVIS, ACCUM, UVIS	F606W			Sequence 1-8 Non-Int in TT-ORI068 (05) Prime + Parallel Group 5-6 in Sequence 1-8 Non-Int in TT-ORI068 (05)	1185 Secs (1185 Secs) [==>]	[1]
	7	(25) JWST-NEP-TD F	ACS/WFC, ACCUM, WFC	F606W		POS TARG -95.952 10059196609,134.95 693579648736	Sequence 1-8 Non-Int in TT-ORI068 (05) Prime + Parallel Group 7-8 in Sequence 1-8 Non-Int in TT-ORI068 (05)	1155 Secs (1155 Secs) [==>]	[1]
	8	ANY	WFC3/UVIS, ACCUM, UVIS	F606W			Sequence 1-8 Non-Int in TT-ORI068 (05) Prime + Parallel Group 7-8 in Sequence 1-8 Non-Int in TT-ORI068 (05)	1165 Secs (1165 Secs) [==>]	[1]
	9	(25) JWST-NEP-TD F	ACS/WFC, ACCUM, WFC	F606W		POS TARG 100.015 22320971621,150.56 838448094175; GS ACQ SCENARI O BASE103	Sequence 9-16 Non-Int in TT-ORI068 (05) Prime + Parallel Group 9-10 in Sequence 9-16 Non-Int in TT-ORI068 (05)	1082 Secs (1082 Secs) [==>]	[2]

Proposal 17924 - TT-ORI068 (05) - TREASURETROVE: Tracing the Growth of SMBHs and Spheroids through Variability and Transie...

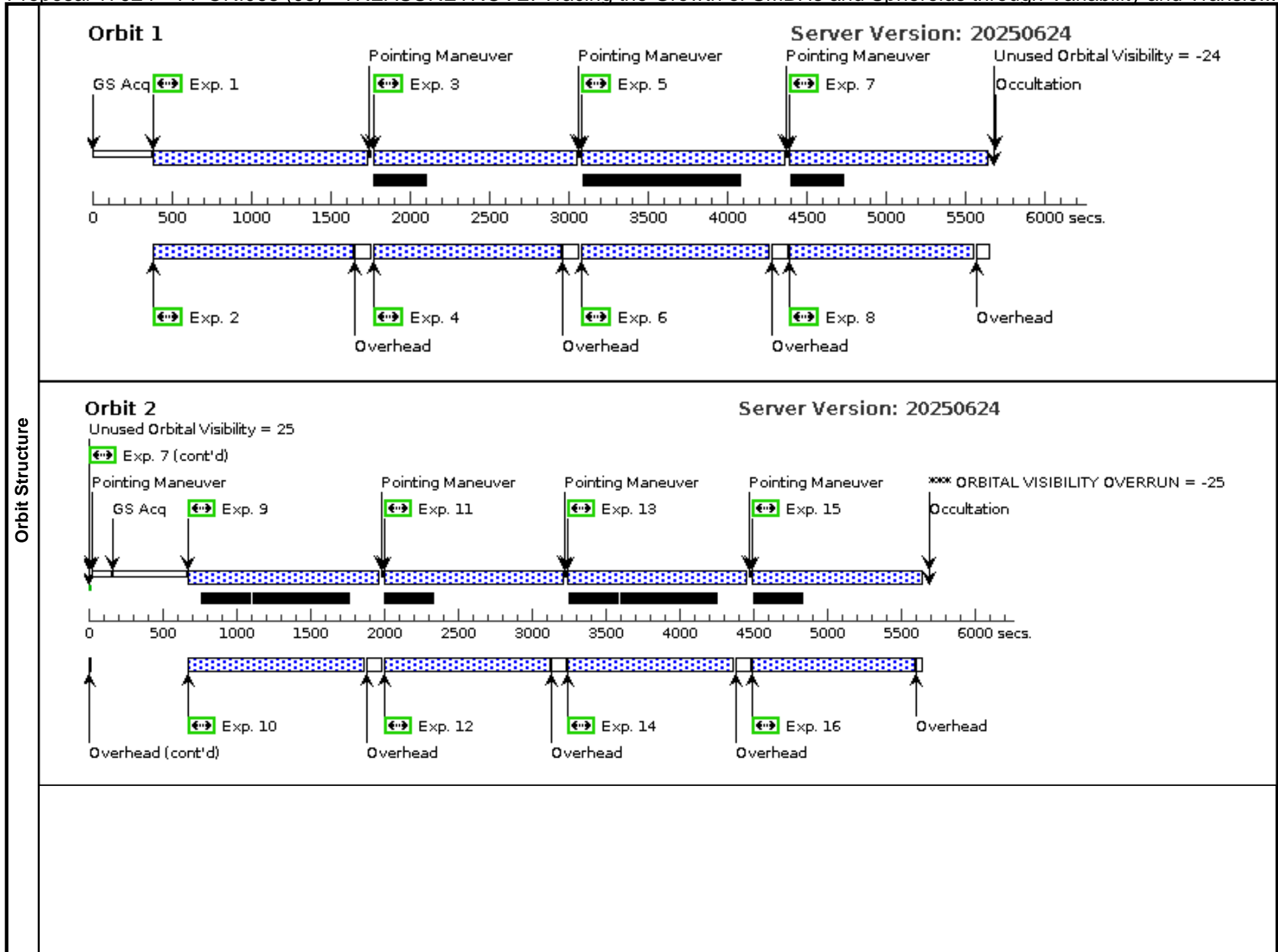
10	ANY	WFC3/UVIS, ACCUM, UVIS	F606W		Sequence 9-16 Non-Int in TT-ORI068 (05) Prime + Parallel Group 9-10 in Sequence 9-16 Non-Int in TT-ORI068 (05)	1162 Secs (1162 Secs) [==>]	[2]
11	(25) JWST-NEP-TD F	ACS/WFC, ACCUM, WFC	F606W	POS TARG 100.163 29320971622,150.65 462448094175	Sequence 9-16 Non-Int in TT-ORI068 (05) Prime + Parallel Group 11-12 in Sequence 9-16 Non-Int in TT-ORI068 (05)	1090 Secs (1090 Secs) [==>]	[2]
12	ANY	WFC3/UVIS, ACCUM, UVIS	F606W		Sequence 9-16 Non-Int in TT-ORI068 (05) Prime + Parallel Group 11-12 in Sequence 9-16 Non-Int in TT-ORI068 (05)	1120 Secs (1120 Secs) [==>]	[2]
13	(25) JWST-NEP-TD F	ACS/WFC, ACCUM, WFC	F606W	POS TARG 100.237 37320971621,150.44 972448094174	Sequence 9-16 Non-Int in TT-ORI068 (05) Prime + Parallel Group 13-14 in Sequence 9-16 Non-Int in TT-ORI068 (05)	1090 Secs (1090 Secs) [==>]	[2]
14	ANY	WFC3/UVIS, ACCUM, UVIS	F606W		Sequence 9-16 Non-Int in TT-ORI068 (05) Prime + Parallel Group 13-14 in Sequence 9-16 Non-Int in TT-ORI068 (05)	1120 Secs (1120 Secs) [==>]	[2]
15	(25) JWST-NEP-TD F	ACS/WFC, ACCUM, WFC	F606W	POS TARG 100.089 27320971621,150.36 349448094174	Sequence 9-16 Non-Int in TT-ORI068 (05) Prime + Parallel Group 15-16 in Sequence 9-16 Non-Int in TT-ORI068 (05)	1090 Secs (1090 Secs) [==>]	[2]
16	ANY	WFC3/UVIS, ACCUM, UVIS	F606W		Sequence 9-16 Non-Int in TT-ORI068 (05) Prime + Parallel Group 15-16 in Sequence 9-16 Non-Int in TT-ORI068 (05)	1100 Secs (1100 Secs) [==>]	[2]
17	(25) JWST-NEP-TD F	ACS/WFC, ACCUM, WFC	F606W	POS TARG -97.770 97992193157,334.97 876252635194; GS ACQ SCENARIO BASE103	Sequence 17-24 Non-Int in TT-ORI068 (05) Prime + Parallel Group 17-18 in Sequence 17-24 Non-Int in TT-ORI068 (05)	1074 Secs (1074 Secs) [==>]	[3]

Proposal 17924 - TT-ORI068 (05) - TREASURETROVE: Tracing the Growth of SMBHs and Spheroids through Variability and Transie...

18	ANY	WFC3/UVIS, ACCUM, UVIS	F606W		Sequence 17-24 Non-Int in TT-ORI068 (05) Prime + Parallel Group 17-18 in Sequence 17-24 Non-Int in TT-ORI068 (05)	1154 Secs (1154 Secs) [==>]	[3]
19	(25) JWST-NEP-TD F	ACS/WFC, ACCUM, WFC	F606W	POS TARG -97.622 90992193157,335.06 50025263519	Sequence 17-24 Non-Int in TT-ORI068 (05) Prime + Parallel Group 19-20 in Sequence 17-24 Non-Int in TT-ORI068 (05)	1090 Secs (1090 Secs) [==>]	[3]
20	ANY	WFC3/UVIS, ACCUM, UVIS	F606W		Sequence 17-24 Non-Int in TT-ORI068 (05) Prime + Parallel Group 19-20 in Sequence 17-24 Non-Int in TT-ORI068 (05)	1120 Secs (1120 Secs) [==>]	[3]
21	(25) JWST-NEP-TD F	ACS/WFC, ACCUM, WFC	F606W	POS TARG -97.548 82992193157,334.86 010252635197	Sequence 17-24 Non-Int in TT-ORI068 (05) Prime + Parallel Group 21-22 in Sequence 17-24 Non-Int in TT-ORI068 (05)	1090 Secs (1090 Secs) [==>]	[3]
22	ANY	WFC3/UVIS, ACCUM, UVIS	F606W		Sequence 17-24 Non-Int in TT-ORI068 (05) Prime + Parallel Group 21-22 in Sequence 17-24 Non-Int in TT-ORI068 (05)	1120 Secs (1120 Secs) [==>]	[3]
23	(25) JWST-NEP-TD F	ACS/WFC, ACCUM, WFC	F606W	POS TARG -97.696 92992193157,334.77 387252635197	Sequence 17-24 Non-Int in TT-ORI068 (05) Prime + Parallel Group 23-24 in Sequence 17-24 Non-Int in TT-ORI068 (05)	1090 Secs (1090 Secs) [==>]	[3]
24	ANY	WFC3/UVIS, ACCUM, UVIS	F606W		Sequence 17-24 Non-Int in TT-ORI068 (05) Prime + Parallel Group 23-24 in Sequence 17-24 Non-Int in TT-ORI068 (05)	1100 Secs (1100 Secs) [==>]	[3]
25	(25) JWST-NEP-TD F	ACS/WFC, ACCUM, WFC	F606W	POS TARG 98.2911 5936845639,350.377 83819723046; GS ACQ SCENARIO BASE103	Sequence 25-32 Non-Int in TT-ORI068 (05) Prime + Parallel Group 25-26 in Sequence 25-32 Non-Int in TT-ORI068 (05)	854 Secs (854 Secs) [==>]	[4]

Proposal 17924 - TT-ORI068 (05) - TREASURETROVE: Tracing the Growth of SMBHs and Spheroids through Variability and Transie...

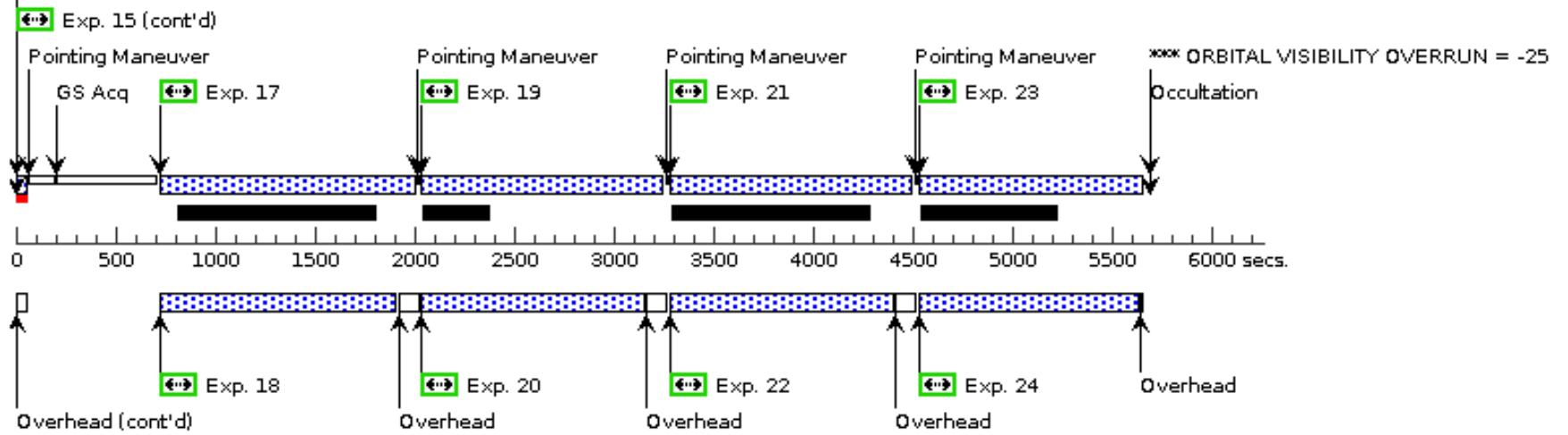
26	ANY	WFC3/UVIS, ACCUM, UVIS	F606W		Sequence 25-32 Non-Int in TT-ORI068 (05) Prime + Parallel Group 25-26 in Sequence 25-32 Non-Int in TT-ORI068 (05)	934 Secs (934 Secs) [==>]	[4]
27	(25) JWST-NEP-TD F	ACS/WFC, ACCUM, WFC	F606W	POS TARG 98.4392 293684564,350.4640 7819723044	Sequence 25-32 Non-Int in TT-ORI068 (05) Prime + Parallel Group 27-28 in Sequence 25-32 Non-Int in TT-ORI068 (05)	860 Secs (860 Secs) [==>]	[4]
28	ANY	WFC3/UVIS, ACCUM, UVIS	F606W		Sequence 25-32 Non-Int in TT-ORI068 (05) Prime + Parallel Group 27-28 in Sequence 25-32 Non-Int in TT-ORI068 (05)	890 Secs (890 Secs) [==>]	[4]
29	(25) JWST-NEP-TD F	ACS/WFC, ACCUM, WFC	F606W	POS TARG 98.5133 0936845639,350.259 1781972305	Sequence 25-32 Non-Int in TT-ORI068 (05) Prime + Parallel Group 29-30 in Sequence 25-32 Non-Int in TT-ORI068 (05)	860 Secs (860 Secs) [==>]	[4]
30	ANY	WFC3/UVIS, ACCUM, UVIS	F606W		Sequence 25-32 Non-Int in TT-ORI068 (05) Prime + Parallel Group 29-30 in Sequence 25-32 Non-Int in TT-ORI068 (05)	890 Secs (890 Secs) [==>]	[4]
31	(25) JWST-NEP-TD F	ACS/WFC, ACCUM, WFC	F606W	POS TARG 98.3652 0936845639,350.172 9481972305	Sequence 25-32 Non-Int in TT-ORI068 (05) Prime + Parallel Group 31-32 in Sequence 25-32 Non-Int in TT-ORI068 (05)	1081 Secs (1081 Secs) [==>]	[4]
32	ANY	WFC3/UVIS, ACCUM, UVIS	F606W		Sequence 25-32 Non-Int in TT-ORI068 (05) Prime + Parallel Group 31-32 in Sequence 25-32 Non-Int in TT-ORI068 (05)	1091 Secs (1091 Secs) [==>]	[4]



Orbit 3

Server Version: 20250624

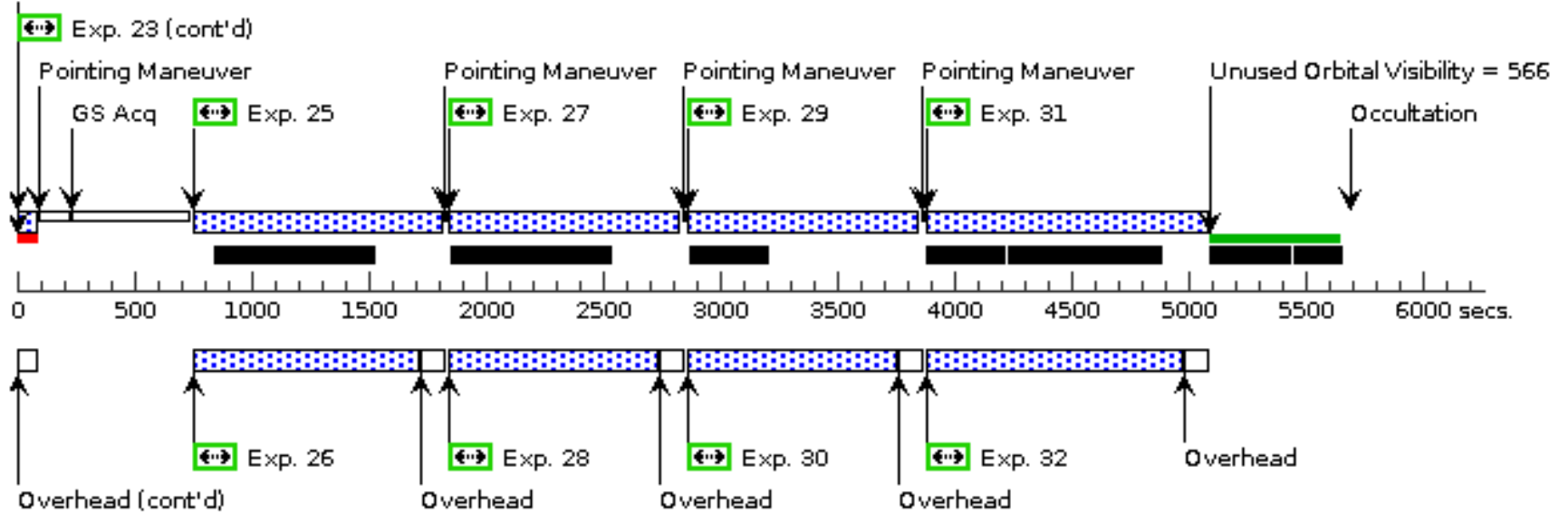
*** ORBITAL VISIBILITY OVERRUN = 60 (cont'd)

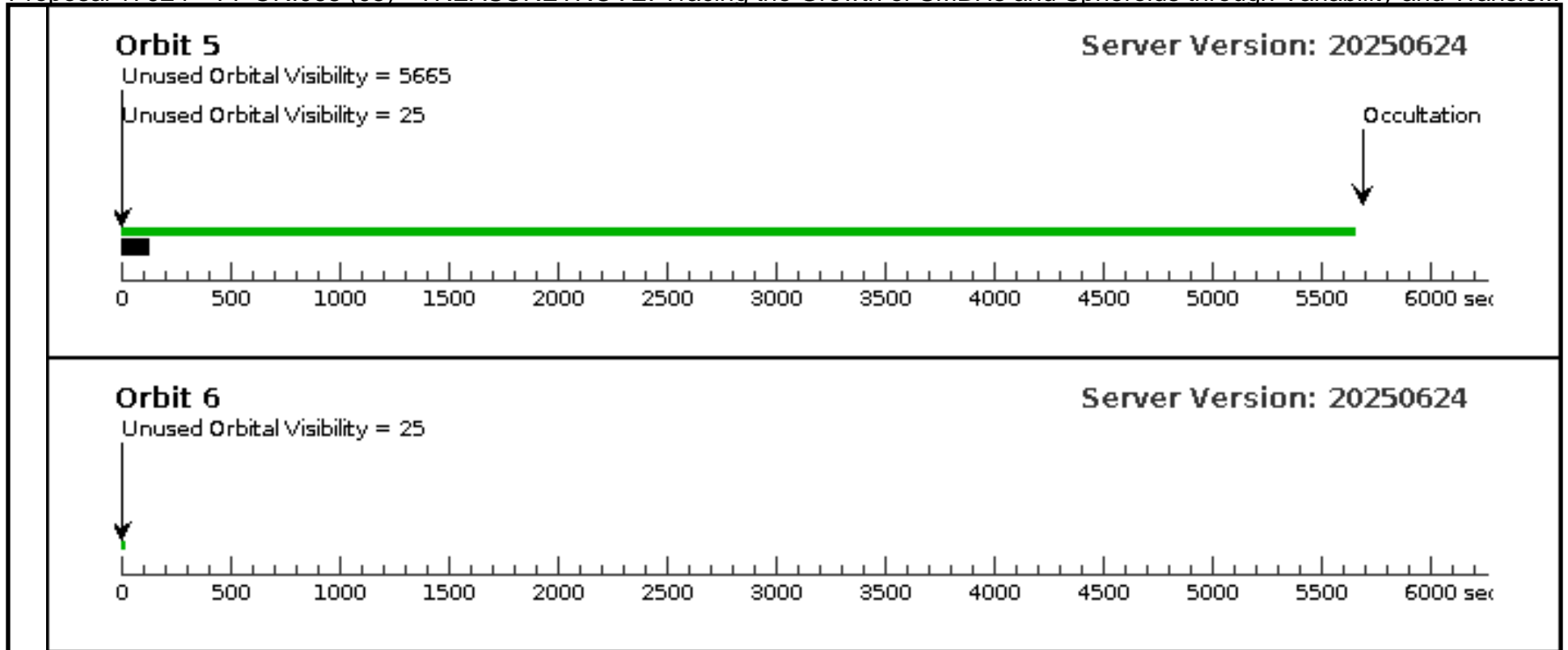


Orbit 4

Server Version: 20250624

*** ORBITAL VISIBILITY OVERRUN = 95 (cont'd)





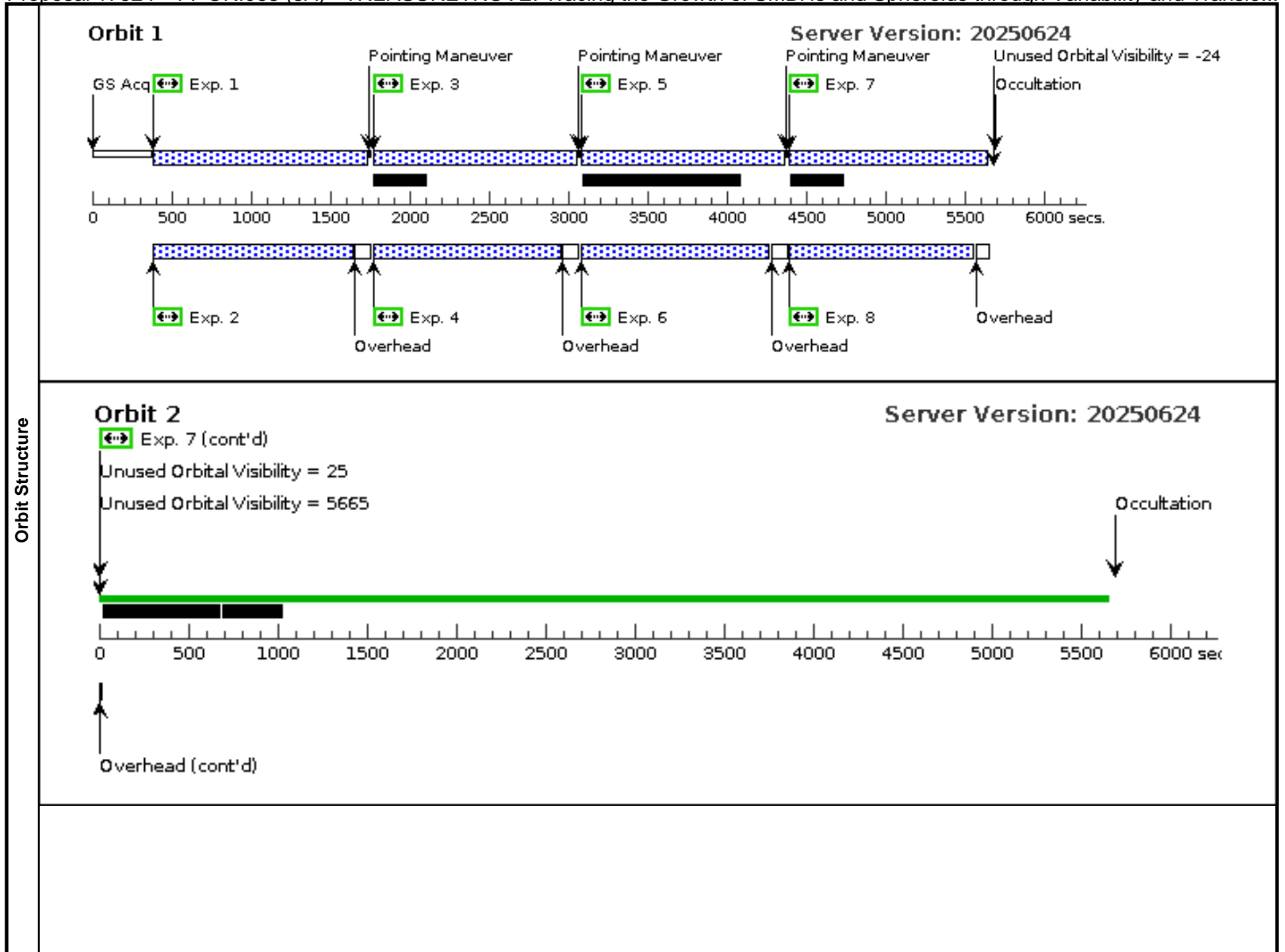
Proposal 17924 - TT-ORI068 (5A) - TREASURETROVE: Tracing the Growth of SMBHs and Spheroids through Variability and Transie...

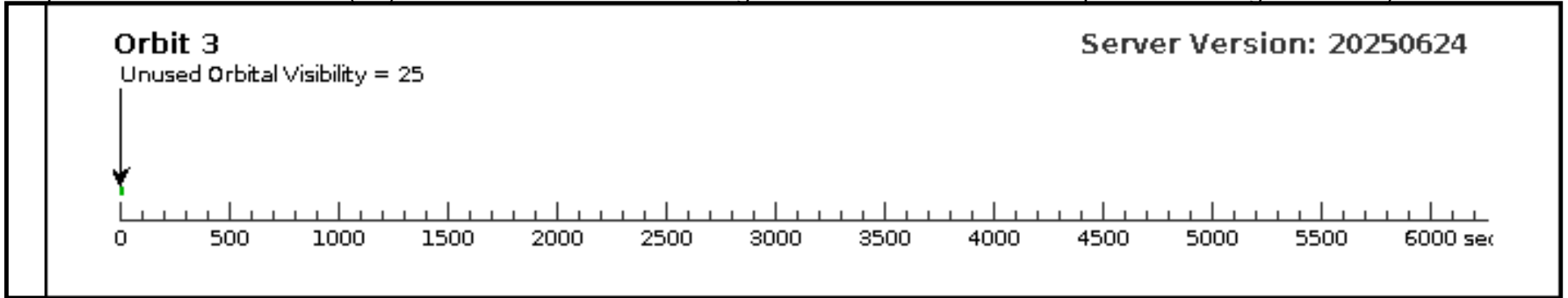
Thu Sep 18 15:03:50 GMT 2025

Visit	<p>Proposal 17924, TT-ORI068 (5A), scheduling</p> <p>Diagnostic Status: Error</p> <p>Scientific Instruments: WFC3/UVIS, ACS/WFC</p> <p>Special Requirements: BRIGHT EARTH AVOID 13.5D; ORIENT 69.3D TO 69.3 D; BETWEEN 01-SEP-2025:00:00:00 AND 01-NOV-2025:00:00:00; VISIBILITY INTERVAL 5690 S</p> <p><i>Comments: preferred orient is 68</i></p>					
Diagnostics	<p>(TT-ORI068 (5A)) Error (Form): The specified Bright Earth Avoidance angle is outside the permitted range.</p> <p>(TT-ORI068 (5A)) Warning (Form): Visibility Interval should be no longer than 1 Orbit (5665.0 secs).</p> <p>(TT-ORI068 (5A)) Warning (Orbit Planner): NO VISIBILITY TABLE CORRESPONDING TO BRIGHT EARTH AVOIDANCE ANGLE</p> <p>(TT-ORI068 (5A)) Warning (Orbit Planner): POS TARG OUTSIDE OF APERTURE</p> <p>(TT-ORI068 (5A)) Warning (Orbit Planner): POS TARG OUTSIDE OF APERTURE</p> <p>(TT-ORI068 (5A)) Warning (Orbit Planner): POS TARG OUTSIDE OF APERTURE</p> <p>(TT-ORI068 (5A)) Warning (Orbit Planner): POS TARG OUTSIDE OF APERTURE</p>					
Fixed Targets	#	Name	Target Coordinates	Targ. Coord. Corrections	Fluxes	Miscellaneous
	(25)	JWST-NEP-TDF Alt Name1: WTDF	RA: 17 22 47.8960 (260.6995667d) Dec: +65 49 21.54 (65.82265d) Equinox: J2000	Epoch of Position: 2000.0	V=27.0+/-1.0	Reference Frame: ICRS
	<p><i>Comments: The target field is the central ~5' radius portion of the JWST North Ecliptic Pole (NEP) Time-Domain Field (TDF), for which allocated JWST GTO observations will provide both NIRCcam imaging and NIRISS slitless spectroscopy. This field was defined to be the cleanest >10'x10' area in JWST's northern Continuous Viewing Zone (CVZ), where JWST will conduct a deep extragalactic time-domain survey, with added utility for extreme outer solar system and near-Galactic time-domain science. The JWST-NEP-TDF (or WTDF) is being developed as a *community field*. This HST program will provide contiguous 3-filter coverage in the UV--visible. The specified target coordinates (17:22:47.896, +65:49:21.54) are offset 90" W and ~14"S from the nominal JWST-NEP-TDF field center (17:23:02.55, +65:49:36.0) in Phase I following a detailed evaluation of suitable HST guide stars in the GSCv2.3. The JWST and Chandra field centers will be shifted to match that of HST.</i></p> <p>Category=UNIDENTIFIED</p> <p>Description=[HIGH LATITUDE FIELD, INFRARED EMITTER, OPTICAL EMITTER, ULTRAVIOLET EMITTER]</p>					

Proposal 17924 - TT-ORI068 (5A) - TREASURETROVE: Tracing the Growth of SMBHs and Spheroids through Variability and Transie...

#	Label	Target	Config,Mode,Aperture	Spectral Els.	Opt. Params.	Special Reqs.	Groups	Exp. Time (Total)/[Actual Dur.]	Orbit
Exposures	1	(25) JWST-NEP-TD F	ACS/WFC, ACCUM, WFC	F606W		POS TARG -96.026 15059196609,135.16 182579648736; GS ACQ SCENARI O BASE103	Sequence 1-8 Non-Int in TT-ORI068 (5A) Prime + Parallel Group 1-2 in Sequence 1-8 Non-Int in TT-ORI068 (5A)	1140 Secs (1140 Secs) [==>]	[1]
	2	ANY	WFC3/UVIS, ACCUM, UVIS	F606W			Sequence 1-8 Non-Int in TT-ORI068 (5A) Prime + Parallel Group 1-2 in Sequence 1-8 Non-Int in TT-ORI068 (5A)	1230 Secs (1230 Secs) [==>]	[1]
	3	(25) JWST-NEP-TD F	ACS/WFC, ACCUM, WFC	F606W		POS TARG -95.878 08059196608,135.24 806579648737	Sequence 1-8 Non-Int in TT-ORI068 (5A) Prime + Parallel Group 3-4 in Sequence 1-8 Non-Int in TT-ORI068 (5A)	1155 Secs (1155 Secs) [==>]	[1]
	4	ANY	WFC3/UVIS, ACCUM, UVIS	F606W			Sequence 1-8 Non-Int in TT-ORI068 (5A) Prime + Parallel Group 3-4 in Sequence 1-8 Non-Int in TT-ORI068 (5A)	1185 Secs (1185 Secs) [==>]	[1]
	5	(25) JWST-NEP-TD F	ACS/WFC, ACCUM, WFC	F606W		POS TARG -95.804 00059196609,135.04 316579648736	Sequence 1-8 Non-Int in TT-ORI068 (5A) Prime + Parallel Group 5-6 in Sequence 1-8 Non-Int in TT-ORI068 (5A)	1155 Secs (1155 Secs) [==>]	[1]
	6	ANY	WFC3/UVIS, ACCUM, UVIS	F606W			Sequence 1-8 Non-Int in TT-ORI068 (5A) Prime + Parallel Group 5-6 in Sequence 1-8 Non-Int in TT-ORI068 (5A)	1185 Secs (1185 Secs) [==>]	[1]
	7	(25) JWST-NEP-TD F	ACS/WFC, ACCUM, WFC	F606W		POS TARG -95.952 10059196609,134.95 693579648736	Sequence 1-8 Non-Int in TT-ORI068 (5A) Prime + Parallel Group 7-8 in Sequence 1-8 Non-Int in TT-ORI068 (5A)	1155 Secs (1155 Secs) [==>]	[1]
	8	ANY	WFC3/UVIS, ACCUM, UVIS	F606W			Sequence 1-8 Non-Int in TT-ORI068 (5A) Prime + Parallel Group 7-8 in Sequence 1-8 Non-Int in TT-ORI068 (5A)	1165 Secs (1165 Secs) [==>]	[1]





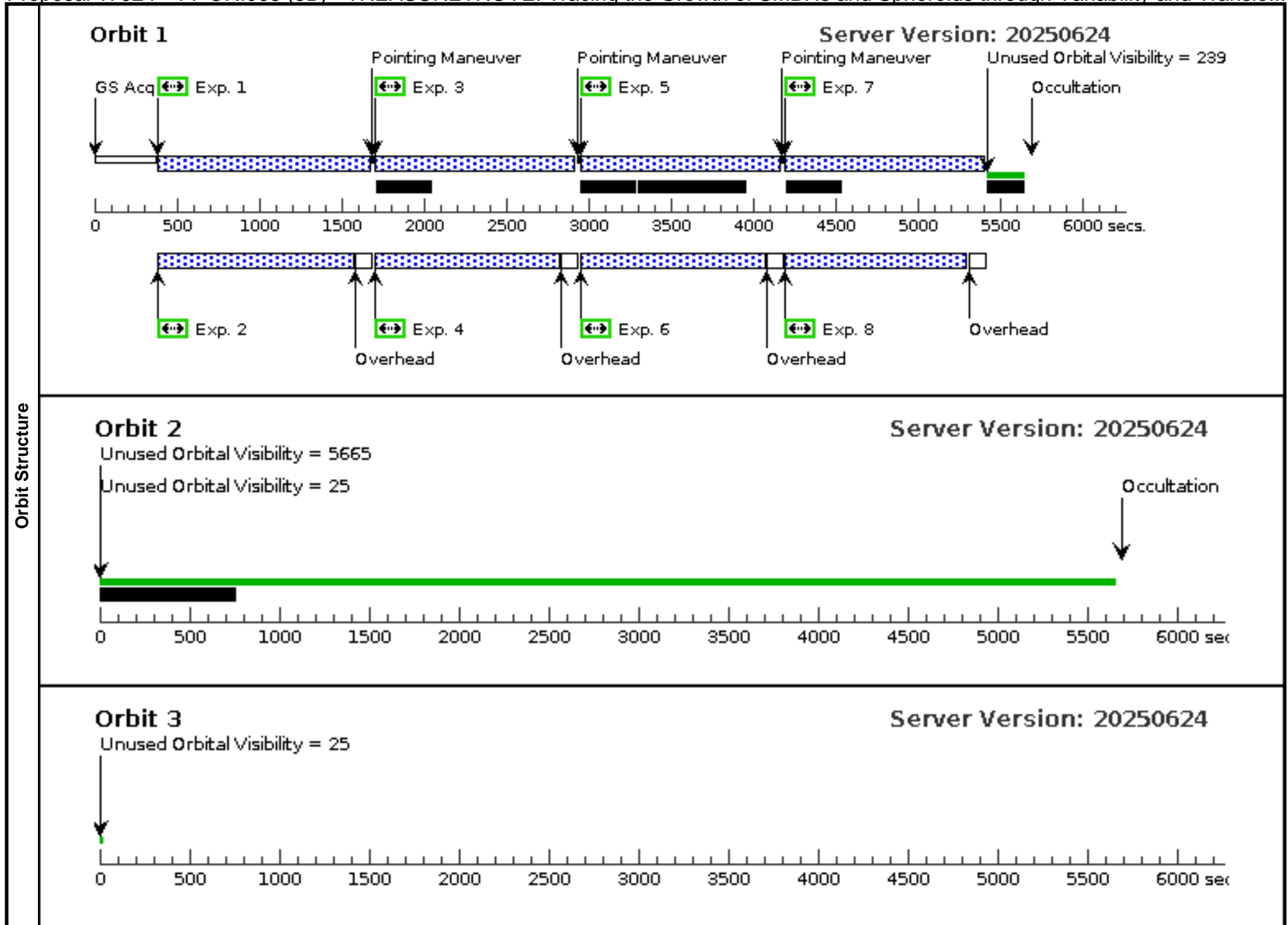
Proposal 17924 - TT-ORI068 (5B) - TREASURETROVE: Tracing the Growth of SMBHs and Spheroids through Variability and Transie...

Thu Sep 18 15:03:50 GMT 2025

Visit	<p>Proposal 17924, TT-ORI068 (5B), scheduling</p> <p>Diagnostic Status: Error</p> <p>Scientific Instruments: WFC3/UVIS, ACS/WFC</p> <p>Special Requirements: BRIGHT EARTH AVOID 13.5D; ORIENT 69.3D TO 69.3 D; BETWEEN 01-SEP-2025:00:00:00 AND 01-NOV-2025:00:00:00; VISIBILITY INTERVAL 5690 S</p> <p><i>Comments: preferred orient is 68</i></p>					
Diagnostics	<p>(TT-ORI068 (5B)) Error (Form): The specified Bright Earth Avoidance angle is outside the permitted range.</p> <p>(TT-ORI068 (5B)) Warning (Form): Visibility Interval should be no longer than 1 Orbit (5665.0 secs).</p> <p>(TT-ORI068 (5B)) Warning (Orbit Planner): NO VISIBILITY TABLE CORRESPONDING TO BRIGHT EARTH AVOIDANCE ANGLE</p> <p>(TT-ORI068 (5B)) Warning (Orbit Planner): POS TARG OUTSIDE OF APERTURE</p> <p>(TT-ORI068 (5B)) Warning (Orbit Planner): POS TARG OUTSIDE OF APERTURE</p> <p>(TT-ORI068 (5B)) Warning (Orbit Planner): POS TARG OUTSIDE OF APERTURE</p> <p>(TT-ORI068 (5B)) Warning (Orbit Planner): POS TARG OUTSIDE OF APERTURE</p>					
Fixed Targets	#	Name	Target Coordinates	Targ. Coord. Corrections	Fluxes	Miscellaneous
	(25)	JWST-NEP-TDF Alt Name1: WTDF	RA: 17 22 47.8960 (260.6995667d) Dec: +65 49 21.54 (65.82265d) Equinox: J2000	Epoch of Position: 2000.0	V=27.0+/-1.0	Reference Frame: ICRS
	<p><i>Comments: The target field is the central ~5' radius portion of the JWST North Ecliptic Pole (NEP) Time-Domain Field (TDF), for which allocated JWST GTO observations will provide both NIRCcam imaging and NIRISS slitless spectroscopy. This field was defined to be the cleanest >10'x10' area in JWST's northern Continuous Viewing Zone (CVZ), where JWST will conduct a deep extragalactic time-domain survey, with added utility for extreme outer solar system and near-Galactic time-domain science. The JWST-NEP-TDF (or WTDF) is being developed as a *community field*. This HST program will provide contiguous 3-filter coverage in the UV--visible. The specified target coordinates (17:22:47.896, +65:49:21.54) are offset 90" W and ~14"S from the nominal JWST-NEP-TDF field center (17:23:02.55, +65:49:36.0) in Phase I following a detailed evaluation of suitable HST guide stars in the GSCv2.3. The JWST and Chandra field centers will be shifted to match that of HST.</i></p> <p>Category=UNIDENTIFIED</p> <p>Description=[HIGH LATITUDE FIELD, INFRARED EMITTER, OPTICAL EMITTER, ULTRAVIOLET EMITTER]</p>					

Proposal 17924 - TT-ORI068 (5B) - TREASURETROVE: Tracing the Growth of SMBHs and Spheroids through Variability and Transie...

#	Label	Target	Config,Mode,Aperture	Spectral Els.	Opt. Params.	Special Reqs.	Groups	Exp. Time (Total)/[Actual Dur.]	Orbit
Exposures	1	(25) JWST-NEP-TD F	ACS/WFC, ACCUM, WFC	F606W		POS TARG 100.015 22320971621,150.56 838448094175; GS ACQ SCENARI O BASE103	Sequence 1-8 Non-Int in TT-ORI068 (5B) Prime + Parallel Group 1-2 in Sequence 1-8 Non-Int in TT-ORI068 (5B)	1082 Secs (1082 Secs) [==>]	[1]
	2	ANY	WFC3/UVIS, ACCUM, UVIS	F606W			Sequence 1-8 Non-Int in TT-ORI068 (5B) Prime + Parallel Group 1-2 in Sequence 1-8 Non-Int in TT-ORI068 (5B)	1162 Secs (1162 Secs) [==>]	[1]
	3	(25) JWST-NEP-TD F	ACS/WFC, ACCUM, WFC	F606W		POS TARG 100.163 29320971622,150.65 462448094175	Sequence 1-8 Non-Int in TT-ORI068 (5B) Prime + Parallel Group 3-4 in Sequence 1-8 Non-Int in TT-ORI068 (5B)	1090 Secs (1090 Secs) [==>]	[1]
	4	ANY	WFC3/UVIS, ACCUM, UVIS	F606W			Sequence 1-8 Non-Int in TT-ORI068 (5B) Prime + Parallel Group 3-4 in Sequence 1-8 Non-Int in TT-ORI068 (5B)	1120 Secs (1120 Secs) [==>]	[1]
	5	(25) JWST-NEP-TD F	ACS/WFC, ACCUM, WFC	F606W		POS TARG 100.237 37320971621,150.44 972448094174	Sequence 1-8 Non-Int in TT-ORI068 (5B) Prime + Parallel Group 5-6 in Sequence 1-8 Non-Int in TT-ORI068 (5B)	1090 Secs (1090 Secs) [==>]	[1]
	6	ANY	WFC3/UVIS, ACCUM, UVIS	F606W			Sequence 1-8 Non-Int in TT-ORI068 (5B) Prime + Parallel Group 5-6 in Sequence 1-8 Non-Int in TT-ORI068 (5B)	1120 Secs (1120 Secs) [==>]	[1]
	7	(25) JWST-NEP-TD F	ACS/WFC, ACCUM, WFC	F606W		POS TARG 100.089 27320971621,150.36 349448094174	Sequence 1-8 Non-Int in TT-ORI068 (5B) Prime + Parallel Group 7-8 in Sequence 1-8 Non-Int in TT-ORI068 (5B)	1090 Secs (1090 Secs) [==>]	[1]
	8	ANY	WFC3/UVIS, ACCUM, UVIS	F606W			Sequence 1-8 Non-Int in TT-ORI068 (5B) Prime + Parallel Group 7-8 in Sequence 1-8 Non-Int in TT-ORI068 (5B)	1100 Secs (1100 Secs) [==>]	[1]



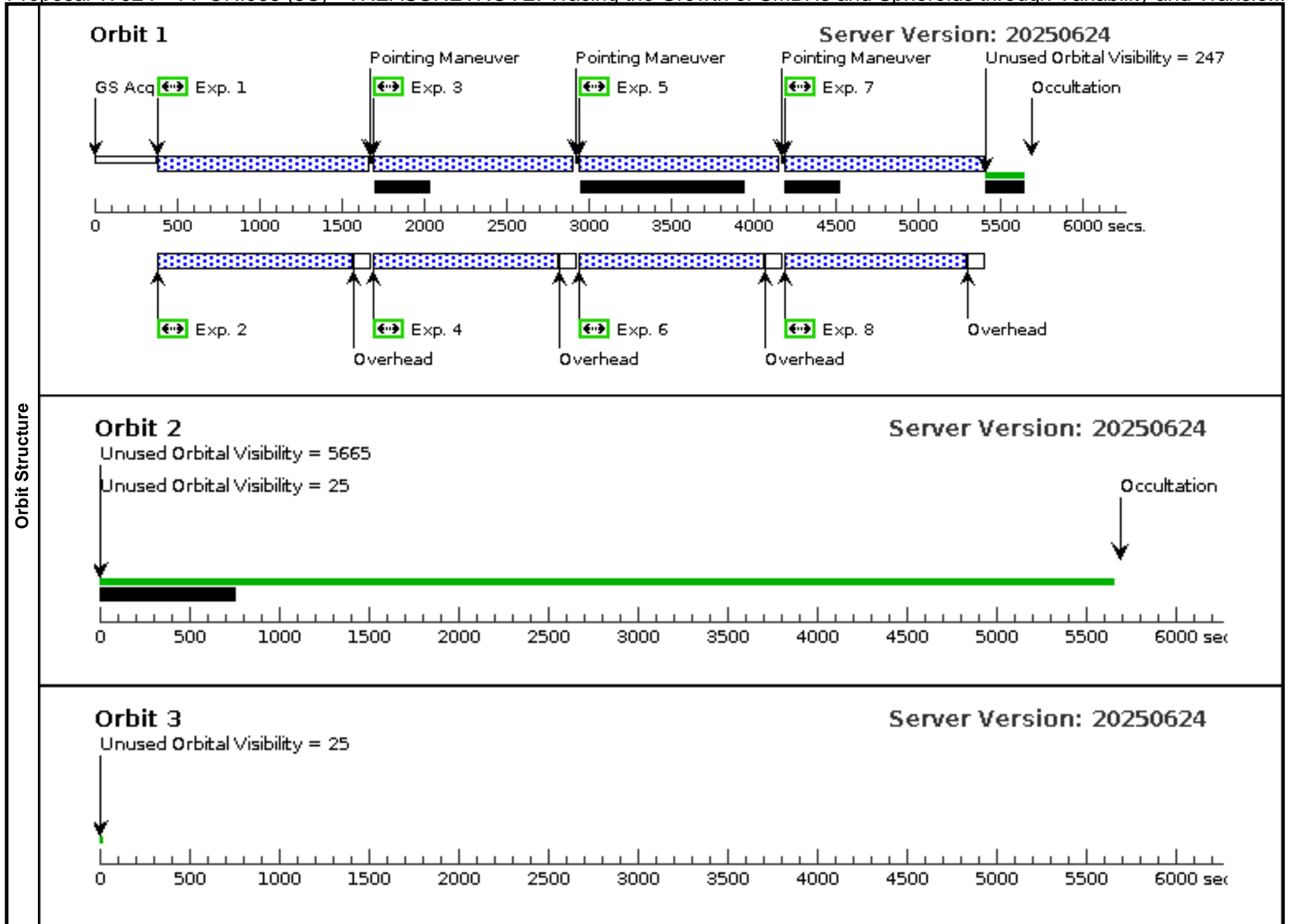
Proposal 17924 - TT-ORI068 (5C) - TREASURETROVE: Tracing the Growth of SMBHs and Spheroids through Variability and Transie...

Thu Sep 18 15:03:50 GMT 2025

Visit	<p>Proposal 17924, TT-ORI068 (5C), scheduling</p> <p>Diagnostic Status: Error</p> <p>Scientific Instruments: WFC3/UVIS, ACS/WFC</p> <p>Special Requirements: BRIGHT EARTH AVOID 13.5D; ORIENT 69.3D TO 69.3 D; BETWEEN 01-SEP-2025:00:00:00 AND 01-NOV-2025:00:00:00; VISIBILITY INTERVAL 5690 S</p> <p><i>Comments: preferred orient is 68</i></p>																												
Diagnostics	<p>(TT-ORI068 (5C)) Error (Form): The specified Bright Earth Avoidance angle is outside the permitted range.</p> <p>(TT-ORI068 (5C)) Warning (Form): Visibility Interval should be no longer than 1 Orbit (5665.0 secs).</p> <p>(TT-ORI068 (5C)) Warning (Orbit Planner): NO VISIBILITY TABLE CORRESPONDING TO BRIGHT EARTH AVOIDANCE ANGLE</p> <p>(TT-ORI068 (5C)) Warning (Orbit Planner): POS TARG OUTSIDE OF APERTURE</p> <p>(TT-ORI068 (5C)) Warning (Orbit Planner): POS TARG OUTSIDE OF APERTURE</p> <p>(TT-ORI068 (5C)) Warning (Orbit Planner): POS TARG OUTSIDE OF APERTURE</p> <p>(TT-ORI068 (5C)) Warning (Orbit Planner): POS TARG OUTSIDE OF APERTURE</p>																												
Fixed Targets	<table border="1"> <thead> <tr> <th>#</th> <th>Name</th> <th>Target Coordinates</th> <th>Targ. Coord. Corrections</th> <th>Fluxes</th> <th>Miscellaneous</th> </tr> </thead> <tbody> <tr> <td>(25)</td> <td>JWST-NEP-TDF</td> <td>RA: 17 22 47.8960 (260.6995667d)</td> <td>Epoch of Position: 2000.0</td> <td>V=27.0+/-1.0</td> <td>Reference Frame: ICRS</td> </tr> <tr> <td></td> <td>Alt Name1: WTDF</td> <td>Dec: +65 49 21.54 (65.82265d)</td> <td></td> <td></td> <td></td> </tr> <tr> <td></td> <td></td> <td>Equinox: J2000</td> <td></td> <td></td> <td></td> </tr> </tbody> </table>	#	Name	Target Coordinates	Targ. Coord. Corrections	Fluxes	Miscellaneous	(25)	JWST-NEP-TDF	RA: 17 22 47.8960 (260.6995667d)	Epoch of Position: 2000.0	V=27.0+/-1.0	Reference Frame: ICRS		Alt Name1: WTDF	Dec: +65 49 21.54 (65.82265d)						Equinox: J2000				<p><i>Comments: The target field is the central ~5' radius portion of the JWST North Ecliptic Pole (NEP) Time-Domain Field (TDF), for which allocated JWST GTO observations will provide both NIRCam imaging and NIRISS slitless spectroscopy. This field was defined to be the cleanest >10'x10' area in JWST's northern Continuous Viewing Zone (CVZ), where JWST will conduct a deep extragalactic time-domain survey, with added utility for extreme outer solar system and near-Galactic time-domain science. The JWST-NEP-TDF (or WTDF) is being developed as a *community field*. This HST program will provide contiguous 3-filter coverage in the UV--visible. The specified target coordinates (17:22:47.896, +65:49:21.54) are offset 90" W and ~14"S from the nominal JWST-NEP-TDF field center (17:23:02.55, +65:49:36.0) in Phase I following a detailed evaluation of suitable HST guide stars in the GSCv2.3. The JWST and Chandra field centers will be shifted to match that of HST.</i></p> <p>Category=UNIDENTIFIED</p> <p>Description=[HIGH LATITUDE FIELD, INFRARED EMITTER, OPTICAL EMITTER, ULTRAVIOLET EMITTER]</p>			
#	Name	Target Coordinates	Targ. Coord. Corrections	Fluxes	Miscellaneous																								
(25)	JWST-NEP-TDF	RA: 17 22 47.8960 (260.6995667d)	Epoch of Position: 2000.0	V=27.0+/-1.0	Reference Frame: ICRS																								
	Alt Name1: WTDF	Dec: +65 49 21.54 (65.82265d)																											
		Equinox: J2000																											

Proposal 17924 - TT-ORI068 (5C) - TREASURETROVE: Tracing the Growth of SMBHs and Spheroids through Variability and Transie...

#	Label	Target	Config,Mode,Aperture	Spectral Els.	Opt. Params.	Special Reqs.	Groups	Exp. Time (Total)/[Actual Dur.]	Orbit
Exposures	1	(25) JWST-NEP-TD F	ACS/WFC, ACCUM, WFC	F606W		POS TARG -97.770 97992193157,334.97 876252635194; GS ACQ SCENARI O BASE103	Sequence 1-8 Non-Int in TT-ORI068 (5C) Prime + Parallel Group 1-2 in Sequence 1-8 Non-Int in TT-ORI068 (5C)	1074 Secs (1074 Secs) [==>]	[1]
	2	ANY	WFC3/UVIS, ACCUM, UVIS	F606W			Sequence 1-8 Non-Int in TT-ORI068 (5C) Prime + Parallel Group 1-2 in Sequence 1-8 Non-Int in TT-ORI068 (5C)	1154 Secs (1154 Secs) [==>]	[1]
	3	(25) JWST-NEP-TD F	ACS/WFC, ACCUM, WFC	F606W		POS TARG -97.622 90992193157,335.06 50025263519	Sequence 1-8 Non-Int in TT-ORI068 (5C) Prime + Parallel Group 3-4 in Sequence 1-8 Non-Int in TT-ORI068 (5C)	1090 Secs (1090 Secs) [==>]	[1]
	4	ANY	WFC3/UVIS, ACCUM, UVIS	F606W			Sequence 1-8 Non-Int in TT-ORI068 (5C) Prime + Parallel Group 3-4 in Sequence 1-8 Non-Int in TT-ORI068 (5C)	1120 Secs (1120 Secs) [==>]	[1]
	5	(25) JWST-NEP-TD F	ACS/WFC, ACCUM, WFC	F606W		POS TARG -97.548 82992193157,334.86 010252635197	Sequence 1-8 Non-Int in TT-ORI068 (5C) Prime + Parallel Group 5-6 in Sequence 1-8 Non-Int in TT-ORI068 (5C)	1090 Secs (1090 Secs) [==>]	[1]
	6	ANY	WFC3/UVIS, ACCUM, UVIS	F606W			Sequence 1-8 Non-Int in TT-ORI068 (5C) Prime + Parallel Group 5-6 in Sequence 1-8 Non-Int in TT-ORI068 (5C)	1120 Secs (1120 Secs) [==>]	[1]
	7	(25) JWST-NEP-TD F	ACS/WFC, ACCUM, WFC	F606W		POS TARG -97.696 92992193157,334.77 387252635197	Sequence 1-8 Non-Int in TT-ORI068 (5C) Prime + Parallel Group 7-8 in Sequence 1-8 Non-Int in TT-ORI068 (5C)	1090 Secs (1090 Secs) [==>]	[1]
	8	ANY	WFC3/UVIS, ACCUM, UVIS	F606W			Sequence 1-8 Non-Int in TT-ORI068 (5C) Prime + Parallel Group 7-8 in Sequence 1-8 Non-Int in TT-ORI068 (5C)	1100 Secs (1100 Secs) [==>]	[1]



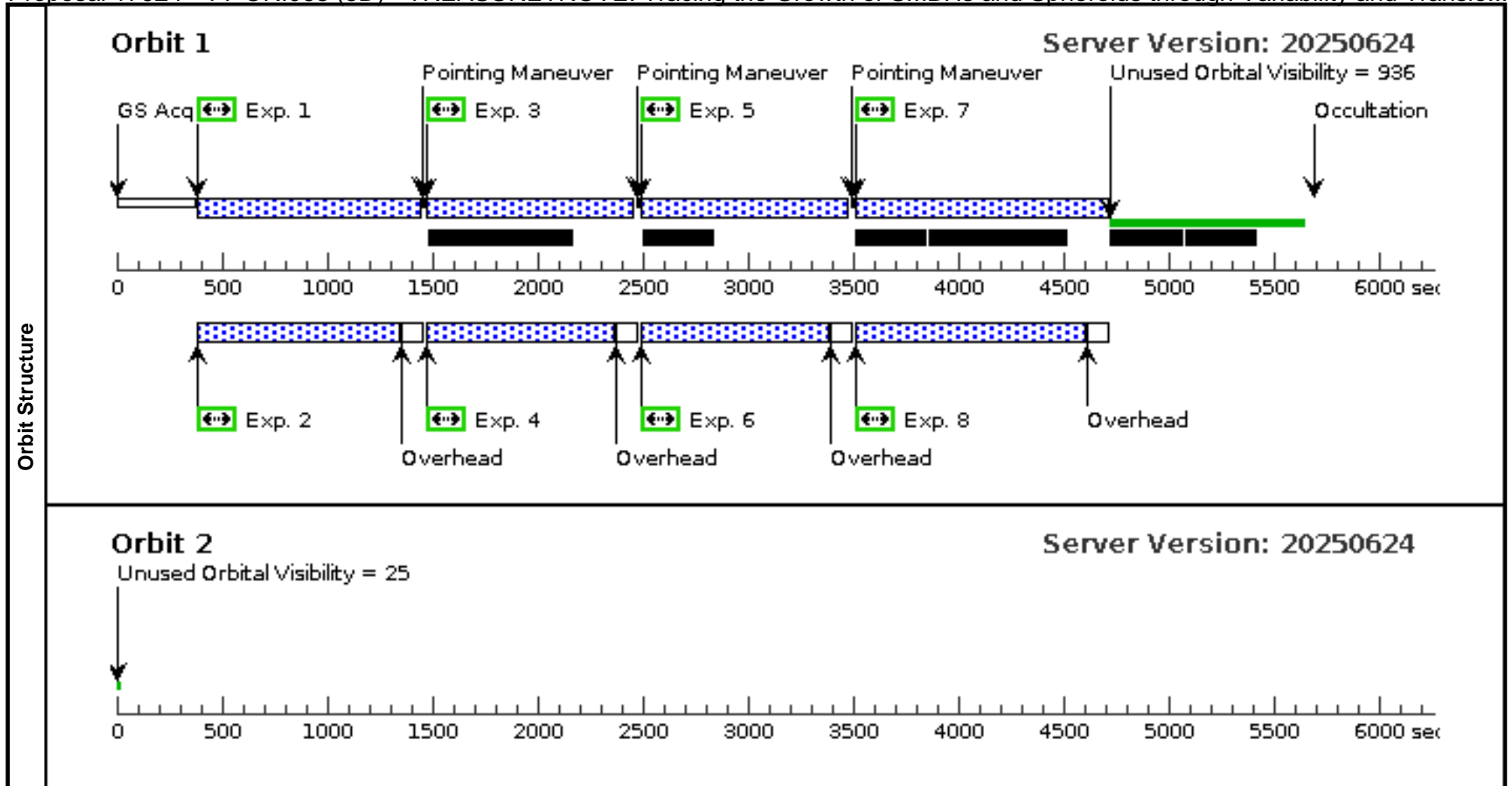
Proposal 17924 - TT-ORI068 (5D) - TREASURETROVE: Tracing the Growth of SMBHs and Spheroids through Variability and Transie...

Thu Sep 18 15:03:51 GMT 2025

Visit	<p>Proposal 17924, TT-ORI068 (5D), scheduling</p> <p>Diagnostic Status: Error</p> <p>Scientific Instruments: WFC3/UVIS, ACS/WFC</p> <p>Special Requirements: BRIGHT EARTH AVOID 13.5D; ORIENT 69.3D TO 69.3 D; BETWEEN 01-SEP-2025:00:00:00 AND 01-NOV-2025:00:00:00; VISIBILITY INTERVAL 5690 S</p> <p><i>Comments: preferred orient is 68</i></p>					
Diagnostics	<p>(TT-ORI068 (5D)) Error (Form): The specified Bright Earth Avoidance angle is outside the permitted range.</p> <p>(TT-ORI068 (5D)) Warning (Form): Visibility Interval should be no longer than 1 Orbit (5665.0 secs).</p> <p>(TT-ORI068 (5D)) Warning (Orbit Planner): NO VISIBILITY TABLE CORRESPONDING TO BRIGHT EARTH AVOIDANCE ANGLE</p> <p>(TT-ORI068 (5D)) Warning (Orbit Planner): POS TARG OUTSIDE OF APERTURE</p> <p>(TT-ORI068 (5D)) Warning (Orbit Planner): POS TARG OUTSIDE OF APERTURE</p> <p>(TT-ORI068 (5D)) Warning (Orbit Planner): POS TARG OUTSIDE OF APERTURE</p> <p>(TT-ORI068 (5D)) Warning (Orbit Planner): POS TARG OUTSIDE OF APERTURE</p>					
Fixed Targets	#	Name	Target Coordinates	Targ. Coord. Corrections	Fluxes	Miscellaneous
	(25)	JWST-NEP-TDF Alt Name1: WTDF	RA: 17 22 47.8960 (260.6995667d) Dec: +65 49 21.54 (65.82265d) Equinox: J2000	Epoch of Position: 2000.0	V=27.0+/-1.0	Reference Frame: ICRS
	<p><i>Comments: The target field is the central ~5' radius portion of the JWST North Ecliptic Pole (NEP) Time-Domain Field (TDF), for which allocated JWST GTO observations will provide both NIRCcam imaging and NIRISS slitless spectroscopy. This field was defined to be the cleanest >10'x10' area in JWST's northern Continuous Viewing Zone (CVZ), where JWST will conduct a deep extragalactic time-domain survey, with added utility for extreme outer solar system and near-Galactic time-domain science. The JWST-NEP-TDF (or WTDF) is being developed as a *community field*. This HST program will provide contiguous 3-filter coverage in the UV--visible. The specified target coordinates (17:22:47.896, +65:49:21.54) are offset 90" W and ~14"S from the nominal JWST-NEP-TDF field center (17:23:02.55, +65:49:36.0) in Phase I following a detailed evaluation of suitable HST guide stars in the GSCv2.3. The JWST and Chandra field centers will be shifted to match that of HST.</i></p> <p>Category=UNIDENTIFIED</p> <p>Description=[HIGH LATITUDE FIELD, INFRARED EMITTER, OPTICAL EMITTER, ULTRAVIOLET EMITTER]</p>					

Proposal 17924 - TT-ORI068 (5D) - TREASURETROVE: Tracing the Growth of SMBHs and Spheroids through Variability and Transie...

#	Label	Target	Config,Mode,Aperture	Spectral Els.	Opt. Params.	Special Reqs.	Groups	Exp. Time (Total)/[Actual Dur.]	Orbit
Exposures	1	(25) JWST-NEP-TD F	ACS/WFC, ACCUM, WFC	F606W		POS TARG 98.2911 5936845639,350.377 83819723046; GS ACQ SCENARI O BASE103	Sequence 1-8 Non-Int in TT-ORI068 (5D) Prime + Parallel Group 1-2 in Sequence 1-8 Non-Int in TT-ORI068 (5D)	854 Secs (854 Secs) [==>]	[1]
	2	ANY	WFC3/UVIS, ACCUM, UVIS	F606W			Sequence 1-8 Non-Int in TT-ORI068 (5D) Prime + Parallel Group 1-2 in Sequence 1-8 Non-Int in TT-ORI068 (5D)	934 Secs (934 Secs) [==>]	[1]
	3	(25) JWST-NEP-TD F	ACS/WFC, ACCUM, WFC	F606W		POS TARG 98.4392 293684564,350.4640 7819723044	Sequence 1-8 Non-Int in TT-ORI068 (5D) Prime + Parallel Group 3-4 in Sequence 1-8 Non-Int in TT-ORI068 (5D)	860 Secs (860 Secs) [==>]	[1]
	4	ANY	WFC3/UVIS, ACCUM, UVIS	F606W			Sequence 1-8 Non-Int in TT-ORI068 (5D) Prime + Parallel Group 3-4 in Sequence 1-8 Non-Int in TT-ORI068 (5D)	890 Secs (890 Secs) [==>]	[1]
	5	(25) JWST-NEP-TD F	ACS/WFC, ACCUM, WFC	F606W		POS TARG 98.5133 0936845639,350.259 1781972305	Sequence 1-8 Non-Int in TT-ORI068 (5D) Prime + Parallel Group 5-6 in Sequence 1-8 Non-Int in TT-ORI068 (5D)	860 Secs (860 Secs) [==>]	[1]
	6	ANY	WFC3/UVIS, ACCUM, UVIS	F606W			Sequence 1-8 Non-Int in TT-ORI068 (5D) Prime + Parallel Group 5-6 in Sequence 1-8 Non-Int in TT-ORI068 (5D)	890 Secs (890 Secs) [==>]	[1]
	7	(25) JWST-NEP-TD F	ACS/WFC, ACCUM, WFC	F606W		POS TARG 98.3652 0936845639,350.172 9481972305	Sequence 1-8 Non-Int in TT-ORI068 (5D) Prime + Parallel Group 7-8 in Sequence 1-8 Non-Int in TT-ORI068 (5D)	1081 Secs (1081 Secs) [==>]	[1]
	8	ANY	WFC3/UVIS, ACCUM, UVIS	F606W			Sequence 1-8 Non-Int in TT-ORI068 (5D) Prime + Parallel Group 7-8 in Sequence 1-8 Non-Int in TT-ORI068 (5D)	1091 Secs (1091 Secs) [==>]	[1]



Proposal 17924 - TT-ORI308 (06) - TREASURETROVE: Tracing the Growth of SMBHs and Spheroids through Variability and Transie...

Thu Sep 18 15:03:51 GMT 2025

Visit	<p>Proposal 17924, TT-ORI308 (06), withdrawn</p> <p>Diagnostic Status: Error</p> <p>Scientific Instruments: WFC3/UVIS, ACS/WFC</p> <p>Special Requirements: BRIGHT EARTH AVOID 13.5D; ORIENT 015D TO 015 D; BETWEEN 15-NOV-2025:00:00:00 AND 15-FEB-2026:00:00:00; VISIBILITY INTERVAL 5690 S</p> <p><i>Comments: preferred orient is 308</i></p>						
	Diagnostics	<p>(TT-ORI308 (06)) Error (Form): The specified Bright Earth Avoidance angle is outside the permitted range.</p> <p>(TT-ORI308 (06)) Error (Orbit Planner): ORBIT PLANNER SERVER INTERNAL ERROR</p> <p>(TT-ORI308 (06)) Warning (Form): Visibility Interval should be no longer than 1 Orbit (5665.0 secs).</p> <p>(TT-ORI308 (06)) Warning (Orbit Planner): NO VISIBILITY TABLE CORRESPONDING TO BRIGHT EARTH AVOIDANCE ANGLE</p> <p>(TT-ORI308 (06)) Warning (Orbit Planner): POS TARG OUTSIDE OF APERTURE</p> <p>(TT-ORI308 (06)) Warning (Orbit Planner): POS TARG OUTSIDE OF APERTURE</p> <p>(TT-ORI308 (06)) Warning (Orbit Planner): POS TARG OUTSIDE OF APERTURE</p> <p>(TT-ORI308 (06)) Warning (Orbit Planner): POS TARG OUTSIDE OF APERTURE</p> <p>(TT-ORI308 (06)) Warning (Orbit Planner): POS TARG OUTSIDE OF APERTURE</p> <p>(TT-ORI308 (06)) Warning (Orbit Planner): POS TARG OUTSIDE OF APERTURE</p> <p>(TT-ORI308 (06)) Warning (Orbit Planner): POS TARG OUTSIDE OF APERTURE</p> <p>(TT-ORI308 (06)) Warning (Orbit Planner): POS TARG OUTSIDE OF APERTURE</p> <p>(TT-ORI308 (06)) Warning (Orbit Planner): POS TARG OUTSIDE OF APERTURE</p> <p>(TT-ORI308 (06)) Warning (Orbit Planner): POS TARG OUTSIDE OF APERTURE</p> <p>(TT-ORI308 (06)) Warning (Orbit Planner): POS TARG OUTSIDE OF APERTURE</p> <p>(TT-ORI308 (06)) Warning (Orbit Planner): POS TARG OUTSIDE OF APERTURE</p> <p>(TT-ORI308 (06)) Warning (Orbit Planner): POS TARG OUTSIDE OF APERTURE</p> <p>(TT-ORI308 (06)) Warning (Orbit Planner): POS TARG OUTSIDE OF APERTURE</p>					
Fixed Targets		#	Name	Target Coordinates	Targ. Coord. Corrections	Fluxes	Miscellaneous
		(25)	JWST-NEP-TDF Alt Name1: WTDF	RA: 17 22 47.8960 (260.6995667d) Dec: +65 49 21.54 (65.82265d) Equinox: J2000	Epoch of Position: 2000.0	V=27.0+/-1.0	Reference Frame: ICRS
<p><i>Comments: The target field is the central ~5' radius portion of the JWST North Ecliptic Pole (NEP) Time-Domain Field (TDF), for which allocated JWST GTO observations will provide both NIRCcam imaging and NIRISS slitless spectroscopy. This field was defined to be the cleanest >10'x10' area in JWST's northern Continuous Viewing Zone (CVZ), where JWST will conduct a deep extragalactic time-domain survey, with added utility for extreme outer solar system and near-Galactic time-domain science. The JWST-NEP-TDF (or WTDF) is being developed as a *community field*. This HST program will provide contiguous 3-filter coverage in the UV--visible. The specified target coordinates (17:22:47.896, +65:49:21.54) are offset 90" W and ~14"S from the nominal JWST-NEP-TDF field center (17:23:02.55, +65:49:36.0) in Phase I following a detailed evaluation of suitable HST guide stars in the GSCv2.3. The JWST and Chandra field centers will be shifted to match that of HST.</i></p> <p>Category=UNIDENTIFIED</p> <p>Description=[HIGH LATITUDE FIELD, INFRARED EMITTER, OPTICAL EMITTER, ULTRAVIOLET EMITTER]</p>							

Proposal 17924 - TT-ORI308 (06) - TREASUREROVE: Tracing the Growth of SMBHs and Spheroids through Variability and Transie...

#	Label	Target	Config,Mode,Aperture	Spectral Els.	Opt. Params.	Special Reqs.	Groups	Exp. Time (Total)/[Actual Dur.]	Orbit
Exposures	1	(25) JWST-NEP-TD F	ACS/WFC, ACCUM, WFC	F606W		POS TARG -96.026 15059196609,135.16 182579648736; GS ACQ SCENARI O BASE103	Sequence 1-8 Non-Int in TT-ORI308 (06) Prime + Parallel Gro up 1-2 in Sequence 1 -8 Non-Int in TT-OR I308 (06)	1140 Secs (1140 Secs) [==>]	[1]
	2	ANY	WFC3/UVIS, ACCUM, UVIS	F606W			Sequence 1-8 Non-Int in TT-ORI308 (06) Prime + Parallel Gro up 1-2 in Sequence 1 -8 Non-Int in TT-OR I308 (06)	1230 Secs (1230 Secs) [==>]	[1]
	3	(25) JWST-NEP-TD F	ACS/WFC, ACCUM, WFC	F606W		POS TARG -95.878 08059196608,135.24 806579648737	Sequence 1-8 Non-Int in TT-ORI308 (06) Prime + Parallel Gro up 3-4 in Sequence 1 -8 Non-Int in TT-OR I308 (06)	1155 Secs (1155 Secs) [==>]	[1]
	4	ANY	WFC3/UVIS, ACCUM, UVIS	F606W			Sequence 1-8 Non-Int in TT-ORI308 (06) Prime + Parallel Gro up 3-4 in Sequence 1 -8 Non-Int in TT-OR I308 (06)	1185 Secs (1185 Secs) [==>]	[1]
	5	(25) JWST-NEP-TD F	ACS/WFC, ACCUM, WFC	F606W		POS TARG -95.804 00059196609,135.04 316579648736	Sequence 1-8 Non-Int in TT-ORI308 (06) Prime + Parallel Gro up 5-6 in Sequence 1 -8 Non-Int in TT-OR I308 (06)	1155 Secs (1155 Secs) [==>]	[1]
	6	ANY	WFC3/UVIS, ACCUM, UVIS	F606W			Sequence 1-8 Non-Int in TT-ORI308 (06) Prime + Parallel Gro up 5-6 in Sequence 1 -8 Non-Int in TT-OR I308 (06)	1185 Secs (1185 Secs) [==>]	[1]
	7	(25) JWST-NEP-TD F	ACS/WFC, ACCUM, WFC	F606W		POS TARG -95.952 10059196609,134.95 693579648736	Sequence 1-8 Non-Int in TT-ORI308 (06) Prime + Parallel Gro up 7-8 in Sequence 1 -8 Non-Int in TT-OR I308 (06)	1155 Secs (1155 Secs) [==>]	[1]
	8	ANY	WFC3/UVIS, ACCUM, UVIS	F606W			Sequence 1-8 Non-Int in TT-ORI308 (06) Prime + Parallel Gro up 7-8 in Sequence 1 -8 Non-Int in TT-OR I308 (06)	1165 Secs (1165 Secs) [==>]	[1]
	9	(25) JWST-NEP-TD F	ACS/WFC, ACCUM, WFC	F606W		POS TARG 100.015 22320971621,150.56 838448094175; GS ACQ SCENARI O BASE103	Sequence 9-16 Non-Int in TT-ORI308 (06) Prime + Parallel Gro up 9-10 in Sequence 9-16 Non-Int in TT- ORI308 (06)	1082 Secs (1082 Secs) [==>]	[2]

Proposal 17924 - TT-ORI308 (06) - TREASURETROVE: Tracing the Growth of SMBHs and Spheroids through Variability and Transie...

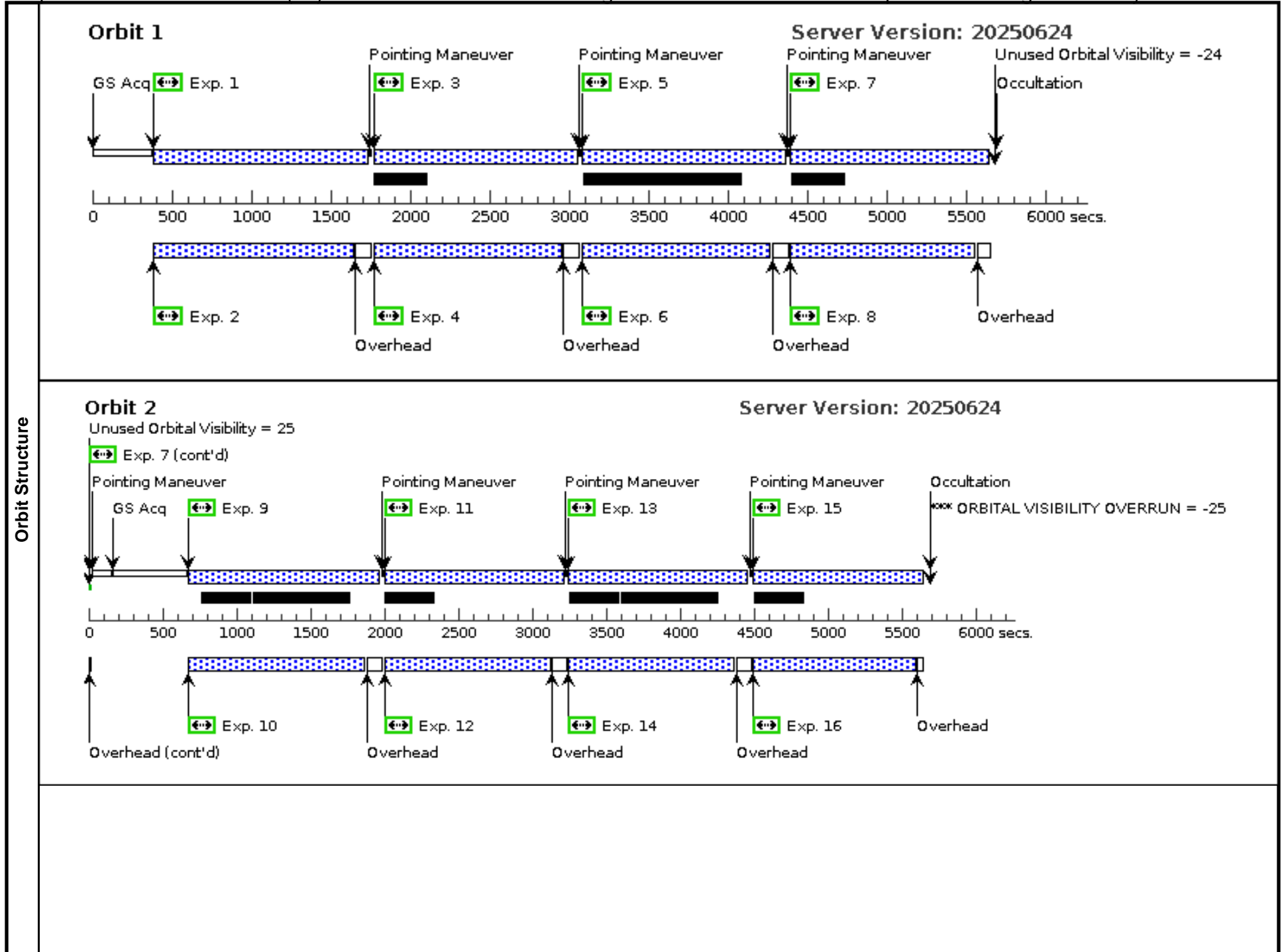
10	ANY	WFC3/UVIS, ACCUM, UVIS	F606W		Sequence 9-16 Non-Int in TT-ORI308 (06) Prime + Parallel Group 9-10 in Sequence 9-16 Non-Int in TT-ORI308 (06)	1162 Secs (1162 Secs) [==>]	[2]
11	(25) JWST-NEP-TD F	ACS/WFC, ACCUM, WFC	F606W	POS TARG 100.163 29320971622,150.65 462448094175	Sequence 9-16 Non-Int in TT-ORI308 (06) Prime + Parallel Group 11-12 in Sequence 9-16 Non-Int in TT-ORI308 (06)	1090 Secs (1090 Secs) [==>]	[2]
12	ANY	WFC3/UVIS, ACCUM, UVIS	F606W		Sequence 9-16 Non-Int in TT-ORI308 (06) Prime + Parallel Group 11-12 in Sequence 9-16 Non-Int in TT-ORI308 (06)	1120 Secs (1120 Secs) [==>]	[2]
13	(25) JWST-NEP-TD F	ACS/WFC, ACCUM, WFC	F606W	POS TARG 100.237 37320971621,150.44 972448094174	Sequence 9-16 Non-Int in TT-ORI308 (06) Prime + Parallel Group 13-14 in Sequence 9-16 Non-Int in TT-ORI308 (06)	1090 Secs (1090 Secs) [==>]	[2]
14	ANY	WFC3/UVIS, ACCUM, UVIS	F606W		Sequence 9-16 Non-Int in TT-ORI308 (06) Prime + Parallel Group 13-14 in Sequence 9-16 Non-Int in TT-ORI308 (06)	1120 Secs (1120 Secs) [==>]	[2]
15	(25) JWST-NEP-TD F	ACS/WFC, ACCUM, WFC	F606W	POS TARG 100.089 27320971621,150.36 349448094174	Sequence 9-16 Non-Int in TT-ORI308 (06) Prime + Parallel Group 15-16 in Sequence 9-16 Non-Int in TT-ORI308 (06)	1090 Secs (1090 Secs) [==>]	[2]
16	ANY	WFC3/UVIS, ACCUM, UVIS	F606W		Sequence 9-16 Non-Int in TT-ORI308 (06) Prime + Parallel Group 15-16 in Sequence 9-16 Non-Int in TT-ORI308 (06)	1100 Secs (1100 Secs) [==>]	[2]
17	(25) JWST-NEP-TD F	ACS/WFC, ACCUM, WFC	F606W	POS TARG -97.770 97992193157,334.97 876252635194; GS ACQ SCENARIO BASE103	Sequence 17-24 Non-Int in TT-ORI308 (06) Prime + Parallel Group 17-18 in Sequence 17-24 Non-Int in TT-ORI308 (06)	1074 Secs (1074 Secs) [==>]	[3]

Proposal 17924 - TT-ORI308 (06) - TREASURETROVE: Tracing the Growth of SMBHs and Spheroids through Variability and Transie...

18	ANY	WFC3/UVIS, ACCUM, UVIS	F606W		Sequence 17-24 Non-Int in TT-ORI308 (06) Prime + Parallel Group 17-18 in Sequence 17-24 Non-Int in TT-ORI308 (06)	1154 Secs (1154 Secs) [==>]	[3]
19	(25) JWST-NEP-TD F	ACS/WFC, ACCUM, WFC	F606W	POS TARG -97.622 90992193157,335.06 50025263519	Sequence 17-24 Non-Int in TT-ORI308 (06) Prime + Parallel Group 19-20 in Sequence 17-24 Non-Int in TT-ORI308 (06)	1090 Secs (1090 Secs) [==>]	[3]
20	ANY	WFC3/UVIS, ACCUM, UVIS	F606W		Sequence 17-24 Non-Int in TT-ORI308 (06) Prime + Parallel Group 19-20 in Sequence 17-24 Non-Int in TT-ORI308 (06)	1120 Secs (1120 Secs) [==>]	[3]
21	(25) JWST-NEP-TD F	ACS/WFC, ACCUM, WFC	F606W	POS TARG -97.548 82992193157,334.86 010252635197	Sequence 17-24 Non-Int in TT-ORI308 (06) Prime + Parallel Group 21-22 in Sequence 17-24 Non-Int in TT-ORI308 (06)	1090 Secs (1090 Secs) [==>]	[3]
22	ANY	WFC3/UVIS, ACCUM, UVIS	F606W		Sequence 17-24 Non-Int in TT-ORI308 (06) Prime + Parallel Group 21-22 in Sequence 17-24 Non-Int in TT-ORI308 (06)	1120 Secs (1120 Secs) [==>]	[3]
23	(25) JWST-NEP-TD F	ACS/WFC, ACCUM, WFC	F606W	POS TARG -97.696 92992193157,334.77 387252635197	Sequence 17-24 Non-Int in TT-ORI308 (06) Prime + Parallel Group 23-24 in Sequence 17-24 Non-Int in TT-ORI308 (06)	1090 Secs (1090 Secs) [==>]	[3]
24	ANY	WFC3/UVIS, ACCUM, UVIS	F606W		Sequence 17-24 Non-Int in TT-ORI308 (06) Prime + Parallel Group 23-24 in Sequence 17-24 Non-Int in TT-ORI308 (06)	1100 Secs (1100 Secs) [==>]	[3]
25	(25) JWST-NEP-TD F	ACS/WFC, ACCUM, WFC	F606W	POS TARG 98.2911 5936845639,350.377 83819723046; GS ACQ SCENARIO BASE103	Sequence 25-32 Non-Int in TT-ORI308 (06) Prime + Parallel Group 25-26 in Sequence 25-32 Non-Int in TT-ORI308 (06)	854 Secs (854 Secs) [==>]	[4]

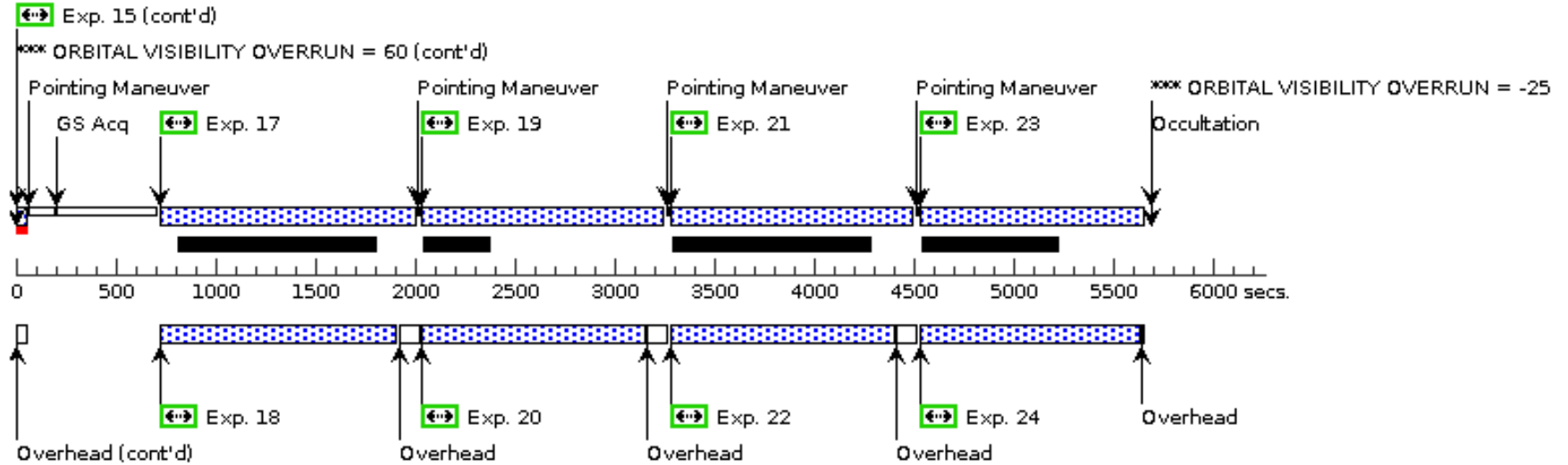
Proposal 17924 - TT-ORI308 (06) - TREASURETROVE: Tracing the Growth of SMBHs and Spheroids through Variability and Transie...

26	ANY	WFC3/UVIS, ACCUM, UVIS	F606W		Sequence 25-32 Non-Int in TT-ORI308 (06) Prime + Parallel Group 25-26 in Sequence 25-32 Non-Int in TT-ORI308 (06)	934 Secs (934 Secs) [==>]	[4]
27	(25) JWST-NEP-TD F	ACS/WFC, ACCUM, WFC	F606W	POS TARG 98.4392 293684564,350.4640 7819723044	Sequence 25-32 Non-Int in TT-ORI308 (06) Prime + Parallel Group 27-28 in Sequence 25-32 Non-Int in TT-ORI308 (06)	860 Secs (860 Secs) [==>]	[4]
28	ANY	WFC3/UVIS, ACCUM, UVIS	F606W		Sequence 25-32 Non-Int in TT-ORI308 (06) Prime + Parallel Group 27-28 in Sequence 25-32 Non-Int in TT-ORI308 (06)	890 Secs (890 Secs) [==>]	[4]
29	(25) JWST-NEP-TD F	ACS/WFC, ACCUM, WFC	F606W	POS TARG 98.5133 0936845639,350.259 1781972305	Sequence 25-32 Non-Int in TT-ORI308 (06) Prime + Parallel Group 29-30 in Sequence 25-32 Non-Int in TT-ORI308 (06)	860 Secs (860 Secs) [==>]	[4]
30	ANY	WFC3/UVIS, ACCUM, UVIS	F606W		Sequence 25-32 Non-Int in TT-ORI308 (06) Prime + Parallel Group 29-30 in Sequence 25-32 Non-Int in TT-ORI308 (06)	890 Secs (890 Secs) [==>]	[4]
31	(25) JWST-NEP-TD F	ACS/WFC, ACCUM, WFC	F606W	POS TARG 98.3652 0936845639,350.172 9481972305	Sequence 25-32 Non-Int in TT-ORI308 (06) Prime + Parallel Group 31-32 in Sequence 25-32 Non-Int in TT-ORI308 (06)	1081 Secs (1081 Secs) [==>]	[4]
32	ANY	WFC3/UVIS, ACCUM, UVIS	F606W		Sequence 25-32 Non-Int in TT-ORI308 (06) Prime + Parallel Group 31-32 in Sequence 25-32 Non-Int in TT-ORI308 (06)	1091 Secs (1091 Secs) [==>]	[4]



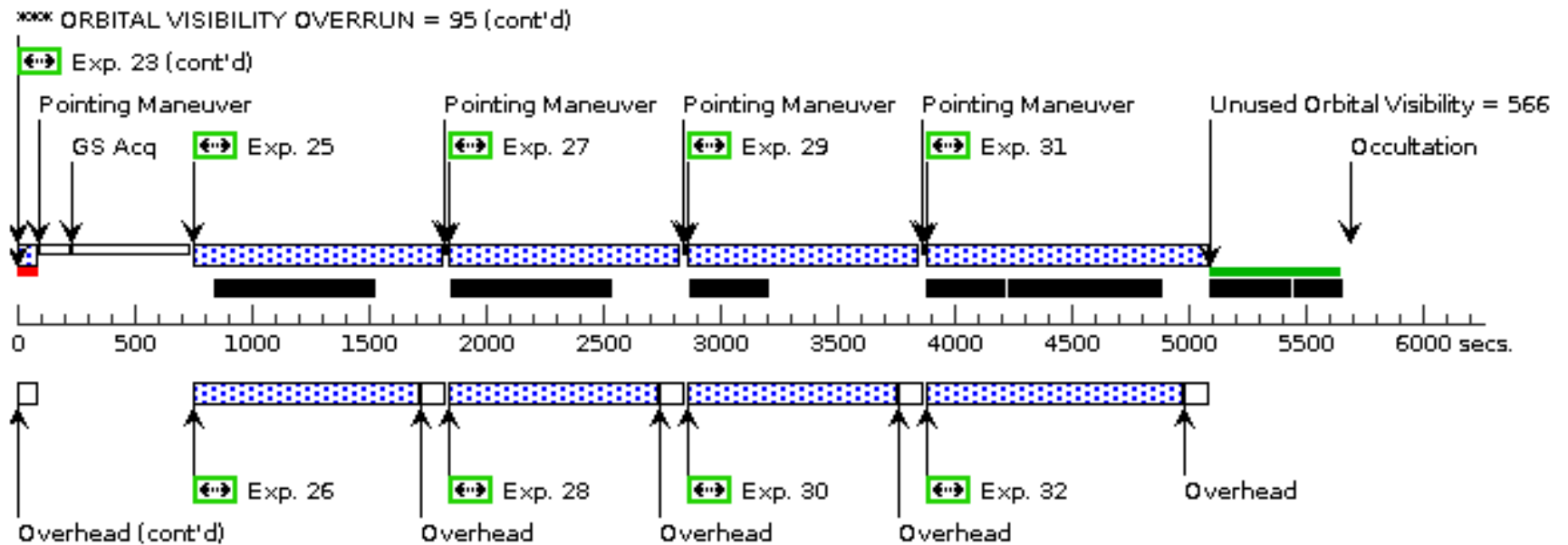
Orbit 3

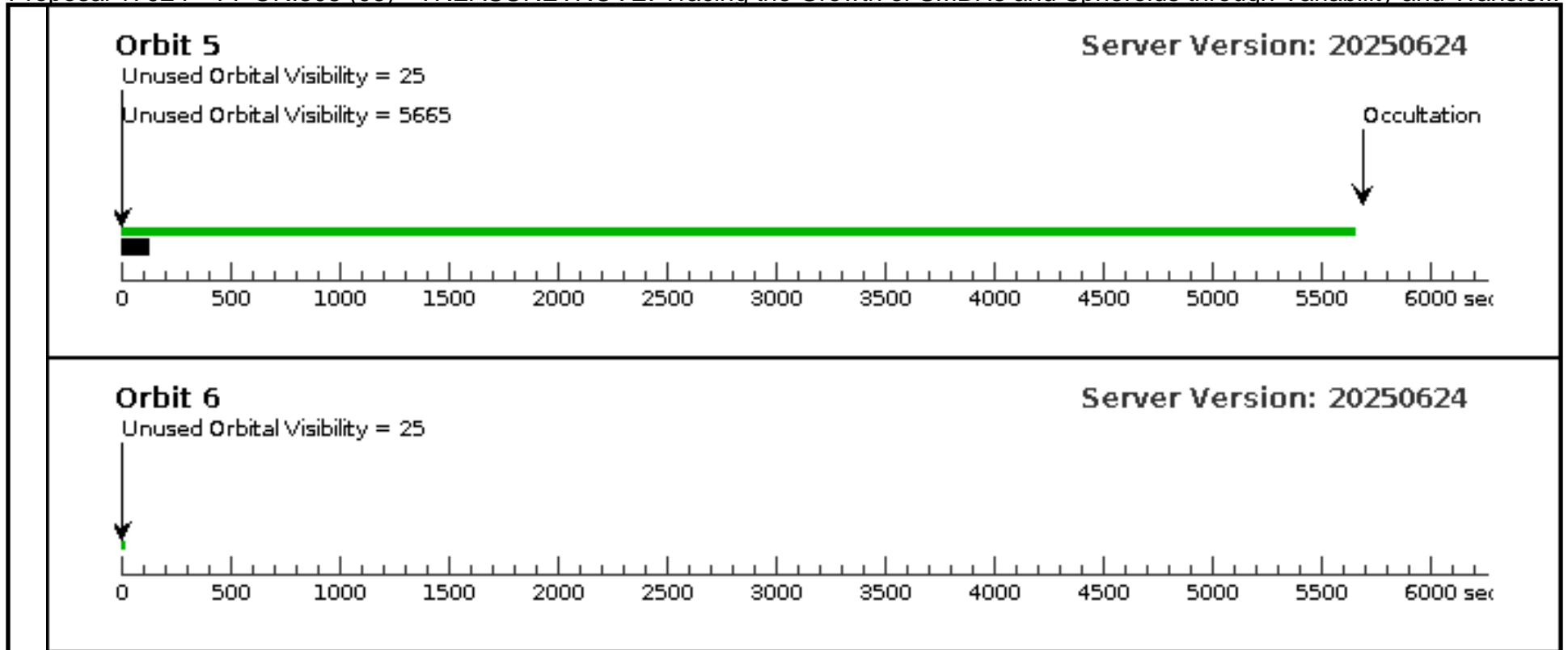
Server Version: 20250624



Orbit 4

Server Version: 20250624





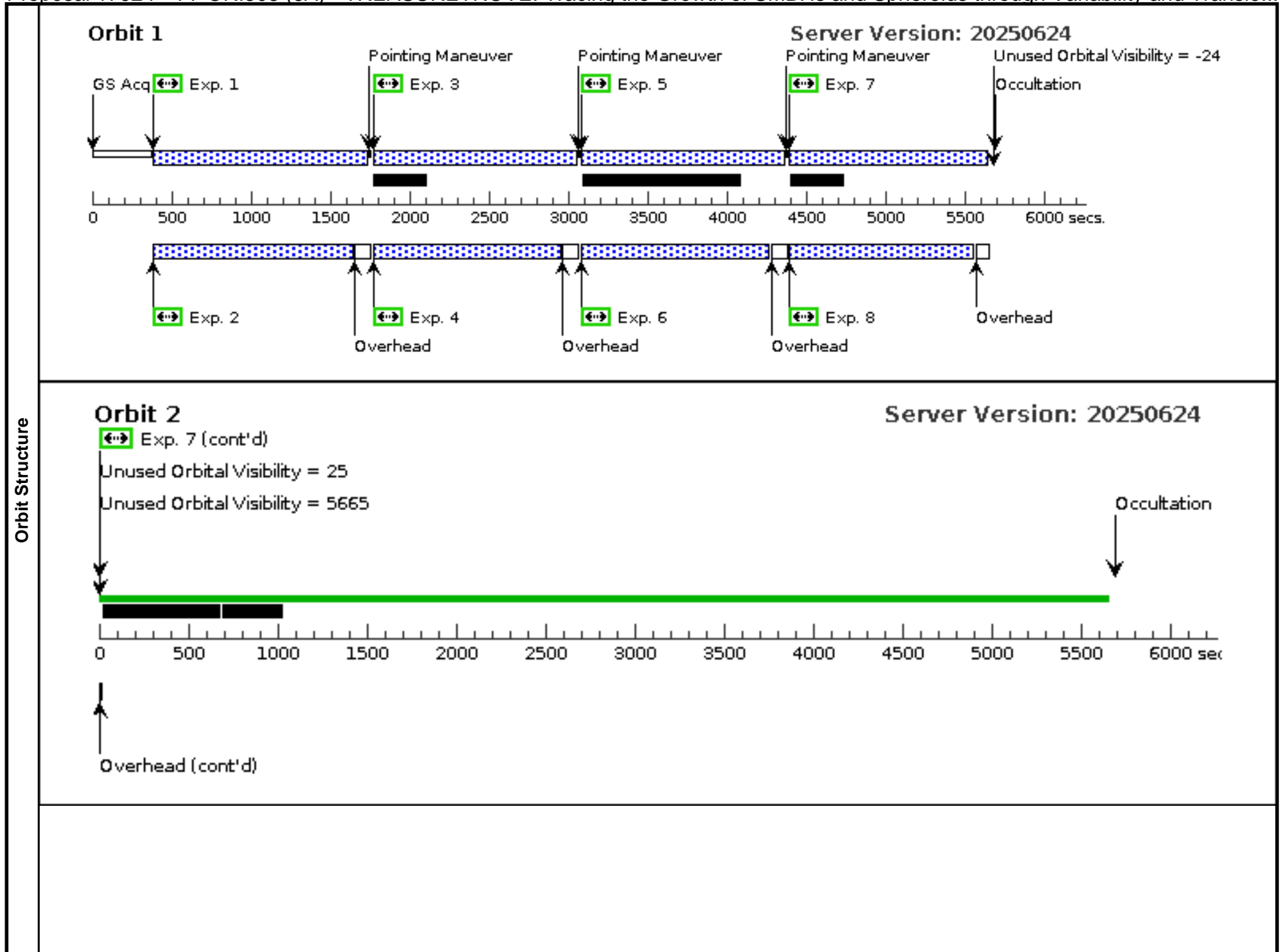
Proposal 17924 - TT-ORI308 (6A) - TREASURETROVE: Tracing the Growth of SMBHs and Spheroids through Variability and Transie...

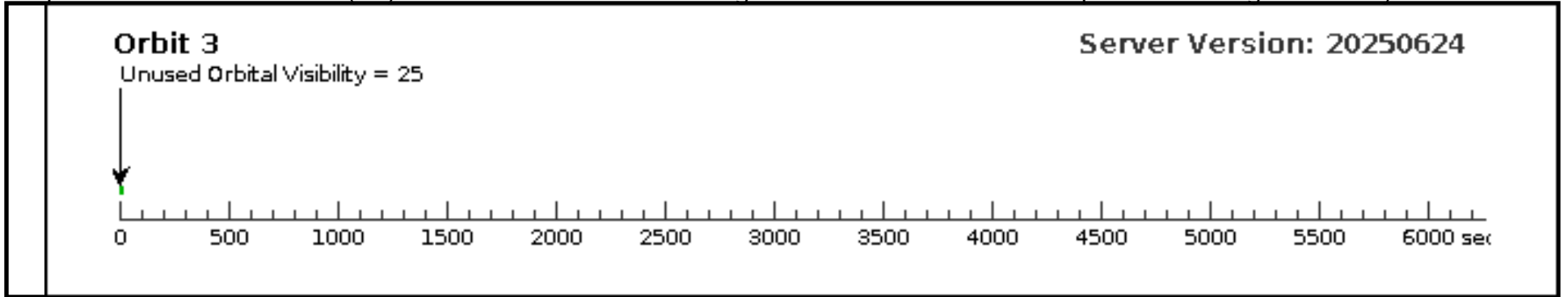
Thu Sep 18 15:03:51 GMT 2025

Visit	<p>Proposal 17924, TT-ORI308 (6A), implementation</p> <p>Diagnostic Status: Error</p> <p>Scientific Instruments: WFC3/UVIS, ACS/WFC</p> <p>Special Requirements: BRIGHT EARTH AVOID 13.5D; ORIENT 015D TO 015 D; BETWEEN 15-NOV-2025:00:00:00 AND 15-FEB-2026:00:00:00; VISIBILITY INTERVAL 5690 S</p> <p><i>Comments: preferred orient is 308</i></p>																												
	Diagnostics	(TT-ORI308 (6A)) Error (Form): The specified Bright Earth Avoidance angle is outside the permitted range.																											
(TT-ORI308 (6A)) Warning (Form): Visibility Interval should be no longer than 1 Orbit (5665.0 secs).																													
(TT-ORI308 (6A)) Warning (Orbit Planner): NO VISIBILITY TABLE CORRESPONDING TO BRIGHT EARTH AVOIDANCE ANGLE																													
(TT-ORI308 (6A)) Warning (Orbit Planner): POS TARG OUTSIDE OF APERTURE																													
(TT-ORI308 (6A)) Warning (Orbit Planner): POS TARG OUTSIDE OF APERTURE																													
(TT-ORI308 (6A)) Warning (Orbit Planner): POS TARG OUTSIDE OF APERTURE																													
Fixed Targets	<table border="1"> <thead> <tr> <th>#</th> <th>Name</th> <th>Target Coordinates</th> <th>Targ. Coord. Corrections</th> <th>Fluxes</th> <th>Miscellaneous</th> </tr> </thead> <tbody> <tr> <td>(25)</td> <td>JWST-NEP-TDF</td> <td>RA: 17 22 47.8960 (260.6995667d)</td> <td>Epoch of Position: 2000.0</td> <td>V=27.0+/-1.0</td> <td>Reference Frame: ICRS</td> </tr> <tr> <td></td> <td>Alt Name1: WTDF</td> <td>Dec: +65 49 21.54 (65.82265d)</td> <td></td> <td></td> <td></td> </tr> <tr> <td></td> <td></td> <td>Equinox: J2000</td> <td></td> <td></td> <td></td> </tr> </tbody> </table> <p><i>Comments: The target field is the central ~5' radius portion of the JWST North Ecliptic Pole (NEP) Time-Domain Field (TDF), for which allocated JWST GTO observations will provide both NIRCcam imaging and NIRISS slitless spectroscopy. This field was defined to be the cleanest >10'x10' area in JWST's northern Continuous Viewing Zone (CVZ), where JWST will conduct a deep extragalactic time-domain survey, with added utility for extreme outer solar system and near-Galactic time-domain science. The JWST-NEP-TDF (or WTDF) is being developed as a *community field*. This HST program will provide contiguous 3-filter coverage in the UV--visible. The specified target coordinates (17:22:47.896, +65:49:21.54) are offset 90" W and ~14"S from the nominal JWST-NEP-TDF field center (17:23:02.55, +65:49:36.0) in Phase I following a detailed evaluation of suitable HST guide stars in the GSCv2.3. The JWST and Chandra field centers will be shifted to match that of HST.</i></p> <p>Category=UNIDENTIFIED</p> <p>Description=[HIGH LATITUDE FIELD, INFRARED EMITTER, OPTICAL EMITTER, ULTRAVIOLET EMITTER]</p>					#	Name	Target Coordinates	Targ. Coord. Corrections	Fluxes	Miscellaneous	(25)	JWST-NEP-TDF	RA: 17 22 47.8960 (260.6995667d)	Epoch of Position: 2000.0	V=27.0+/-1.0	Reference Frame: ICRS		Alt Name1: WTDF	Dec: +65 49 21.54 (65.82265d)						Equinox: J2000			
	#	Name	Target Coordinates	Targ. Coord. Corrections	Fluxes	Miscellaneous																							
(25)	JWST-NEP-TDF	RA: 17 22 47.8960 (260.6995667d)	Epoch of Position: 2000.0	V=27.0+/-1.0	Reference Frame: ICRS																								
	Alt Name1: WTDF	Dec: +65 49 21.54 (65.82265d)																											
		Equinox: J2000																											

Proposal 17924 - TT-ORI308 (6A) - TREASURETROVE: Tracing the Growth of SMBHs and Spheroids through Variability and Transie...

#	Label	Target	Config,Mode,Aperture	Spectral Els.	Opt. Params.	Special Reqs.	Groups	Exp. Time (Total)/[Actual Dur.]	Orbit
Exposures	1	(25) JWST-NEP-TD F	ACS/WFC, ACCUM, WFC	F606W		POS TARG -96.026 15059196609,135.16 182579648736; GS ACQ SCENARI O BASE103	Sequence 1-8 Non-Int in TT-ORI308 (6A) Prime + Parallel Group 1-2 in Sequence 1-8 Non-Int in TT-ORI308 (6A)	1140 Secs (1140 Secs) [==>]	[1]
	2	ANY	WFC3/UVIS, ACCUM, UVIS	F606W			Sequence 1-8 Non-Int in TT-ORI308 (6A) Prime + Parallel Group 1-2 in Sequence 1-8 Non-Int in TT-ORI308 (6A)	1230 Secs (1230 Secs) [==>]	[1]
	3	(25) JWST-NEP-TD F	ACS/WFC, ACCUM, WFC	F606W		POS TARG -95.878 08059196608,135.24 806579648737	Sequence 1-8 Non-Int in TT-ORI308 (6A) Prime + Parallel Group 3-4 in Sequence 1-8 Non-Int in TT-ORI308 (6A)	1155 Secs (1155 Secs) [==>]	[1]
	4	ANY	WFC3/UVIS, ACCUM, UVIS	F606W			Sequence 1-8 Non-Int in TT-ORI308 (6A) Prime + Parallel Group 3-4 in Sequence 1-8 Non-Int in TT-ORI308 (6A)	1185 Secs (1185 Secs) [==>]	[1]
	5	(25) JWST-NEP-TD F	ACS/WFC, ACCUM, WFC	F606W		POS TARG -95.804 00059196609,135.04 316579648736	Sequence 1-8 Non-Int in TT-ORI308 (6A) Prime + Parallel Group 5-6 in Sequence 1-8 Non-Int in TT-ORI308 (6A)	1155 Secs (1155 Secs) [==>]	[1]
	6	ANY	WFC3/UVIS, ACCUM, UVIS	F606W			Sequence 1-8 Non-Int in TT-ORI308 (6A) Prime + Parallel Group 5-6 in Sequence 1-8 Non-Int in TT-ORI308 (6A)	1185 Secs (1185 Secs) [==>]	[1]
	7	(25) JWST-NEP-TD F	ACS/WFC, ACCUM, WFC	F606W		POS TARG -95.952 10059196609,134.95 693579648736	Sequence 1-8 Non-Int in TT-ORI308 (6A) Prime + Parallel Group 7-8 in Sequence 1-8 Non-Int in TT-ORI308 (6A)	1155 Secs (1155 Secs) [==>]	[1]
	8	ANY	WFC3/UVIS, ACCUM, UVIS	F606W			Sequence 1-8 Non-Int in TT-ORI308 (6A) Prime + Parallel Group 7-8 in Sequence 1-8 Non-Int in TT-ORI308 (6A)	1165 Secs (1165 Secs) [==>]	[1]





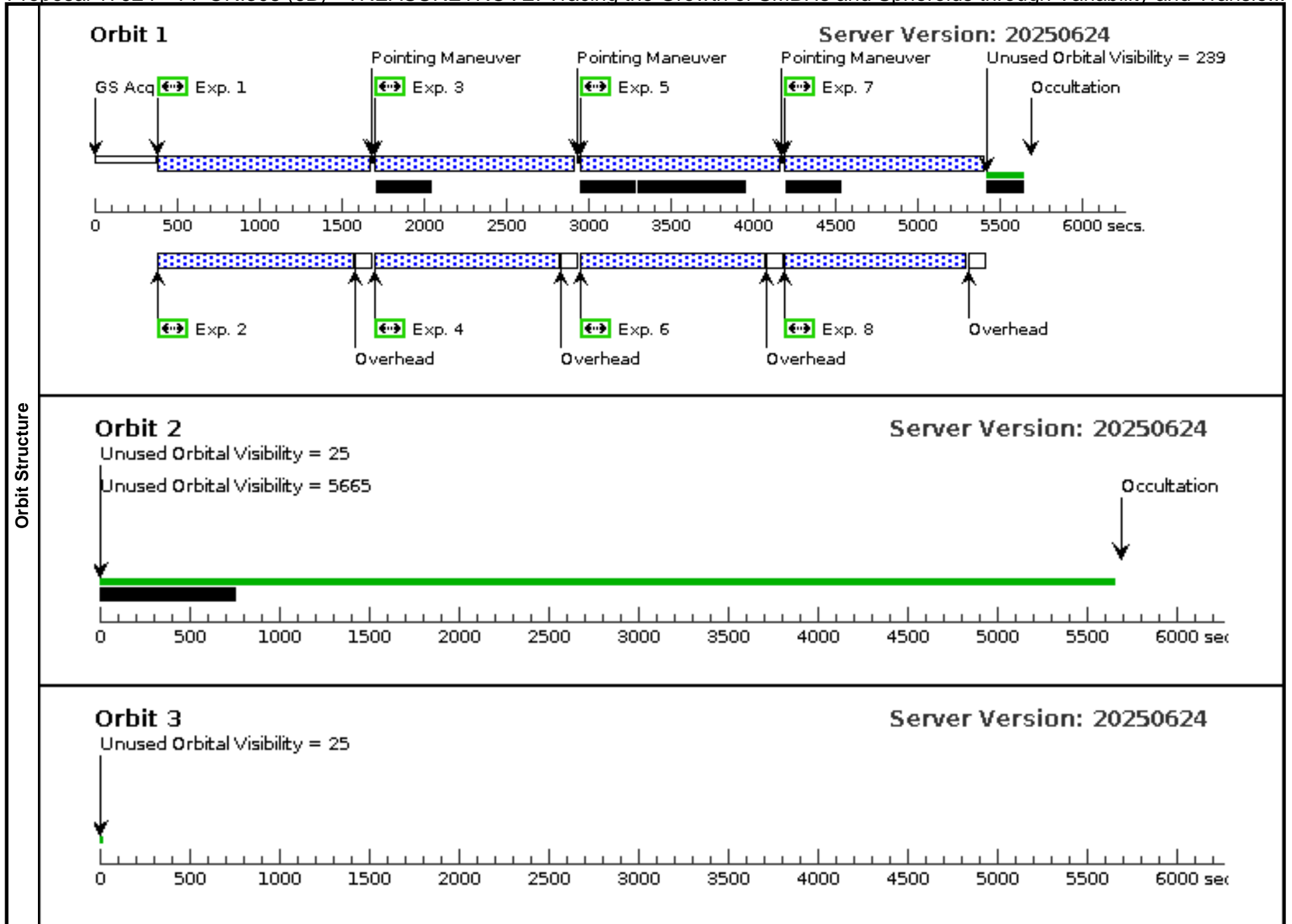
Proposal 17924 - TT-ORI308 (6B) - TREASURETROVE: Tracing the Growth of SMBHs and Spheroids through Variability and Transie...

Thu Sep 18 15:03:51 GMT 2025

Visit	<p>Proposal 17924, TT-ORI308 (6B), implementation</p> <p>Diagnostic Status: Error</p> <p>Scientific Instruments: WFC3/UVIS, ACS/WFC</p> <p>Special Requirements: BRIGHT EARTH AVOID 13.5D; ORIENT 015D TO 015 D; BETWEEN 15-NOV-2025:00:00:00 AND 15-FEB-2026:00:00:00; VISIBILITY INTERVAL 5690 S</p> <p><i>Comments: preferred orient is 308</i></p>					
Diagnostics	<p>(TT-ORI308 (6B)) Error (Form): The specified Bright Earth Avoidance angle is outside the permitted range.</p> <p>(TT-ORI308 (6B)) Warning (Form): Visibility Interval should be no longer than 1 Orbit (5665.0 secs).</p> <p>(TT-ORI308 (6B)) Warning (Orbit Planner): NO VISIBILITY TABLE CORRESPONDING TO BRIGHT EARTH AVOIDANCE ANGLE</p> <p>(TT-ORI308 (6B)) Warning (Orbit Planner): POS TARG OUTSIDE OF APERTURE</p> <p>(TT-ORI308 (6B)) Warning (Orbit Planner): POS TARG OUTSIDE OF APERTURE</p> <p>(TT-ORI308 (6B)) Warning (Orbit Planner): POS TARG OUTSIDE OF APERTURE</p> <p>(TT-ORI308 (6B)) Warning (Orbit Planner): POS TARG OUTSIDE OF APERTURE</p>					
Fixed Targets	#	Name	Target Coordinates	Targ. Coord. Corrections	Fluxes	Miscellaneous
	(25)	JWST-NEP-TDF Alt Name1: WTDF	RA: 17 22 47.8960 (260.6995667d) Dec: +65 49 21.54 (65.82265d) Equinox: J2000	Epoch of Position: 2000.0	V=27.0+/-1.0	Reference Frame: ICRS
	<p><i>Comments: The target field is the central ~5' radius portion of the JWST North Ecliptic Pole (NEP) Time-Domain Field (TDF), for which allocated JWST GTO observations will provide both NIRCcam imaging and NIRISS slitless spectroscopy. This field was defined to be the cleanest >10'x10' area in JWST's northern Continuous Viewing Zone (CVZ), where JWST will conduct a deep extragalactic time-domain survey, with added utility for extreme outer solar system and near-Galactic time-domain science. The JWST-NEP-TDF (or WTDF) is being developed as a *community field*. This HST program will provide contiguous 3-filter coverage in the UV--visible. The specified target coordinates (17:22:47.896, +65:49:21.54) are offset 90" W and ~14"S from the nominal JWST-NEP-TDF field center (17:23:02.55, +65:49:36.0) in Phase I following a detailed evaluation of suitable HST guide stars in the GSCv2.3. The JWST and Chandra field centers will be shifted to match that of HST.</i></p> <p>Category=UNIDENTIFIED</p> <p>Description=[HIGH LATITUDE FIELD, INFRARED EMITTER, OPTICAL EMITTER, ULTRAVIOLET EMITTER]</p>					

Proposal 17924 - TT-ORI308 (6B) - TREASURETROVE: Tracing the Growth of SMBHs and Spheroids through Variability and Transie...

#	Label	Target	Config,Mode,Aperture	Spectral Els.	Opt. Params.	Special Reqs.	Groups	Exp. Time (Total)/[Actual Dur.]	Orbit
Exposures	1	(25) JWST-NEP-TD F	ACS/WFC, ACCUM, WFC	F606W		POS TARG 100.015 22320971621,150.56 838448094175; GS ACQ SCENARI O BASE103	Sequence 1-8 Non-Int in TT-ORI308 (6B) Prime + Parallel Gro up 1-2 in Sequence 1 -8 Non-Int in TT-OR I308 (6B)	1082 Secs (1082 Secs) [==>]	[1]
	2	ANY	WFC3/UVIS, ACCUM, UVIS	F606W			Sequence 1-8 Non-Int in TT-ORI308 (6B) Prime + Parallel Gro up 1-2 in Sequence 1 -8 Non-Int in TT-OR I308 (6B)	1162 Secs (1162 Secs) [==>]	[1]
	3	(25) JWST-NEP-TD F	ACS/WFC, ACCUM, WFC	F606W		POS TARG 100.163 29320971622,150.65 462448094175	Sequence 1-8 Non-Int in TT-ORI308 (6B) Prime + Parallel Gro up 3-4 in Sequence 1 -8 Non-Int in TT-OR I308 (6B)	1090 Secs (1090 Secs) [==>]	[1]
	4	ANY	WFC3/UVIS, ACCUM, UVIS	F606W			Sequence 1-8 Non-Int in TT-ORI308 (6B) Prime + Parallel Gro up 3-4 in Sequence 1 -8 Non-Int in TT-OR I308 (6B)	1120 Secs (1120 Secs) [==>]	[1]
	5	(25) JWST-NEP-TD F	ACS/WFC, ACCUM, WFC	F606W		POS TARG 100.237 37320971621,150.44 972448094174	Sequence 1-8 Non-Int in TT-ORI308 (6B) Prime + Parallel Gro up 5-6 in Sequence 1 -8 Non-Int in TT-OR I308 (6B)	1090 Secs (1090 Secs) [==>]	[1]
	6	ANY	WFC3/UVIS, ACCUM, UVIS	F606W			Sequence 1-8 Non-Int in TT-ORI308 (6B) Prime + Parallel Gro up 5-6 in Sequence 1 -8 Non-Int in TT-OR I308 (6B)	1120 Secs (1120 Secs) [==>]	[1]
	7	(25) JWST-NEP-TD F	ACS/WFC, ACCUM, WFC	F606W		POS TARG 100.089 27320971621,150.36 349448094174	Sequence 1-8 Non-Int in TT-ORI308 (6B) Prime + Parallel Gro up 7-8 in Sequence 1 -8 Non-Int in TT-OR I308 (6B)	1090 Secs (1090 Secs) [==>]	[1]
	8	ANY	WFC3/UVIS, ACCUM, UVIS	F606W			Sequence 1-8 Non-Int in TT-ORI308 (6B) Prime + Parallel Gro up 7-8 in Sequence 1 -8 Non-Int in TT-OR I308 (6B)	1100 Secs (1100 Secs) [==>]	[1]



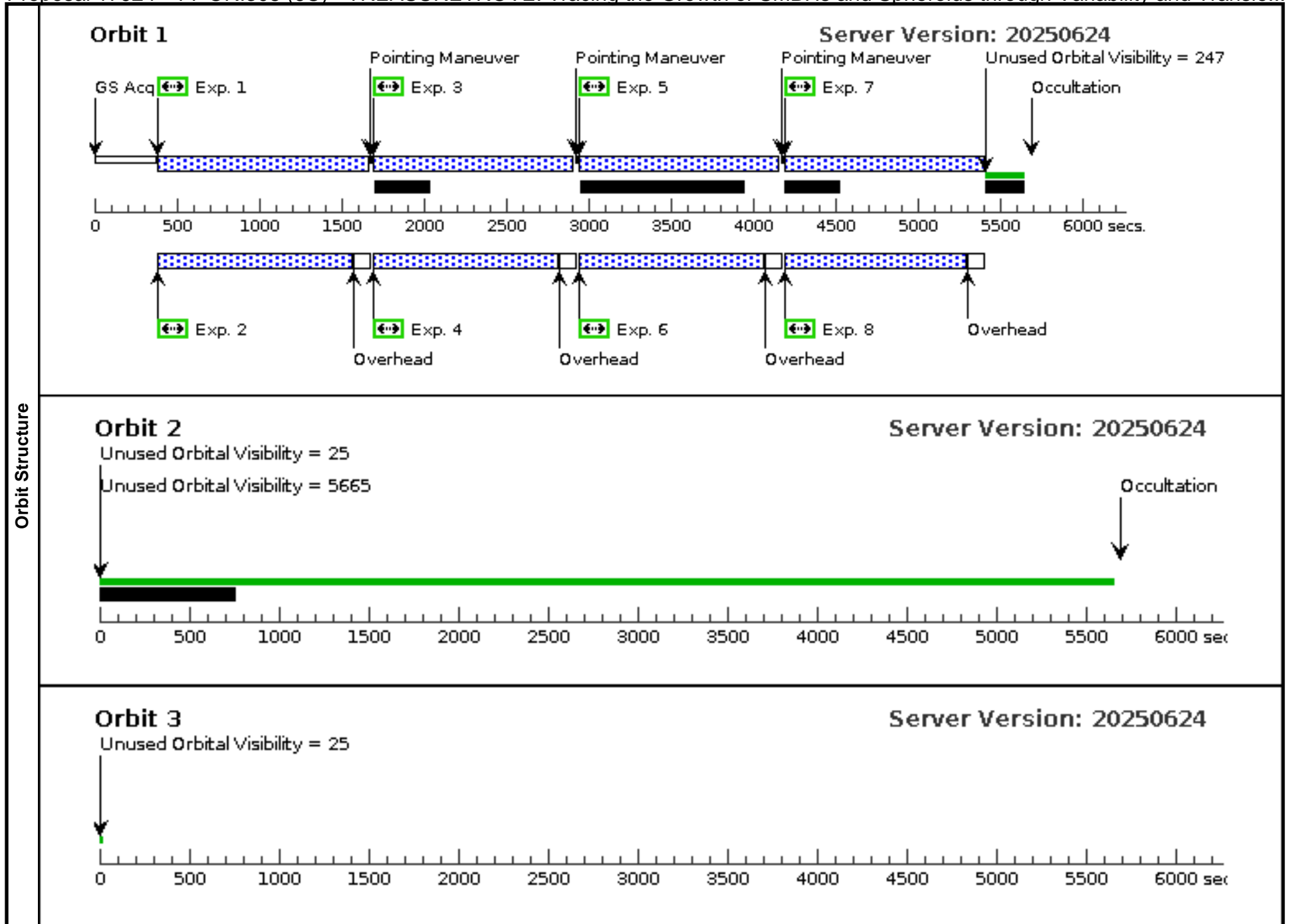
Proposal 17924 - TT-ORI308 (6C) - TREASURETROVE: Tracing the Growth of SMBHs and Spheroids through Variability and Transie...

Thu Sep 18 15:03:51 GMT 2025

Visit	<p>Proposal 17924, TT-ORI308 (6C), implementation</p> <p>Diagnostic Status: Error</p> <p>Scientific Instruments: WFC3/UVIS, ACS/WFC</p> <p>Special Requirements: BRIGHT EARTH AVOID 13.5D; ORIENT 015D TO 015 D; BETWEEN 15-NOV-2025:00:00:00 AND 15-FEB-2026:00:00:00; VISIBILITY INTERVAL 5690 S</p> <p><i>Comments: preferred orient is 308</i></p>					
Diagnostics	<p>(TT-ORI308 (6C)) Error (Form): The specified Bright Earth Avoidance angle is outside the permitted range.</p> <p>(TT-ORI308 (6C)) Warning (Form): Visibility Interval should be no longer than 1 Orbit (5665.0 secs).</p> <p>(TT-ORI308 (6C)) Warning (Orbit Planner): NO VISIBILITY TABLE CORRESPONDING TO BRIGHT EARTH AVOIDANCE ANGLE</p> <p>(TT-ORI308 (6C)) Warning (Orbit Planner): POS TARG OUTSIDE OF APERTURE</p> <p>(TT-ORI308 (6C)) Warning (Orbit Planner): POS TARG OUTSIDE OF APERTURE</p> <p>(TT-ORI308 (6C)) Warning (Orbit Planner): POS TARG OUTSIDE OF APERTURE</p> <p>(TT-ORI308 (6C)) Warning (Orbit Planner): POS TARG OUTSIDE OF APERTURE</p>					
Fixed Targets	#	Name	Target Coordinates	Targ. Coord. Corrections	Fluxes	Miscellaneous
	(25)	JWST-NEP-TDF Alt Name1: WTDF	RA: 17 22 47.8960 (260.6995667d) Dec: +65 49 21.54 (65.82265d) Equinox: J2000	Epoch of Position: 2000.0	V=27.0+/-1.0	Reference Frame: ICRS
	<p><i>Comments: The target field is the central ~5' radius portion of the JWST North Ecliptic Pole (NEP) Time-Domain Field (TDF), for which allocated JWST GTO observations will provide both NIRCcam imaging and NIRISS slitless spectroscopy. This field was defined to be the cleanest >10'x10' area in JWST's northern Continuous Viewing Zone (CVZ), where JWST will conduct a deep extragalactic time-domain survey, with added utility for extreme outer solar system and near-Galactic time-domain science. The JWST-NEP-TDF (or WTDF) is being developed as a *community field*. This HST program will provide contiguous 3-filter coverage in the UV--visible. The specified target coordinates (17:22:47.896, +65:49:21.54) are offset 90" W and ~14"S from the nominal JWST-NEP-TDF field center (17:23:02.55, +65:49:36.0) in Phase I following a detailed evaluation of suitable HST guide stars in the GSCv2.3. The JWST and Chandra field centers will be shifted to match that of HST.</i></p> <p>Category=UNIDENTIFIED</p> <p>Description=[HIGH LATITUDE FIELD, INFRARED EMITTER, OPTICAL EMITTER, ULTRAVIOLET EMITTER]</p>					

Proposal 17924 - TT-ORI308 (6C) - TREASURETROVE: Tracing the Growth of SMBHs and Spheroids through Variability and Transie...

#	Label	Target	Config,Mode,Aperture	Spectral Els.	Opt. Params.	Special Reqs.	Groups	Exp. Time (Total)/[Actual Dur.]	Orbit
Exposures	1	(25) JWST-NEP-TD F	ACS/WFC, ACCUM, WFC	F606W		POS TARG -97.770 97992193157,334.97 876252635194; GS ACQ SCENARI O BASE103	Sequence 1-8 Non-Int in TT-ORI308 (6C) Prime + Parallel Group 1-2 in Sequence 1-8 Non-Int in TT-ORI308 (6C)	1074 Secs (1074 Secs) [==>]	[1]
	2	ANY	WFC3/UVIS, ACCUM, UVIS	F606W			Sequence 1-8 Non-Int in TT-ORI308 (6C) Prime + Parallel Group 1-2 in Sequence 1-8 Non-Int in TT-ORI308 (6C)	1154 Secs (1154 Secs) [==>]	[1]
	3	(25) JWST-NEP-TD F	ACS/WFC, ACCUM, WFC	F606W		POS TARG -97.622 90992193157,335.06 50025263519	Sequence 1-8 Non-Int in TT-ORI308 (6C) Prime + Parallel Group 3-4 in Sequence 1-8 Non-Int in TT-ORI308 (6C)	1090 Secs (1090 Secs) [==>]	[1]
	4	ANY	WFC3/UVIS, ACCUM, UVIS	F606W			Sequence 1-8 Non-Int in TT-ORI308 (6C) Prime + Parallel Group 3-4 in Sequence 1-8 Non-Int in TT-ORI308 (6C)	1120 Secs (1120 Secs) [==>]	[1]
	5	(25) JWST-NEP-TD F	ACS/WFC, ACCUM, WFC	F606W		POS TARG -97.548 82992193157,334.86 010252635197	Sequence 1-8 Non-Int in TT-ORI308 (6C) Prime + Parallel Group 5-6 in Sequence 1-8 Non-Int in TT-ORI308 (6C)	1090 Secs (1090 Secs) [==>]	[1]
	6	ANY	WFC3/UVIS, ACCUM, UVIS	F606W			Sequence 1-8 Non-Int in TT-ORI308 (6C) Prime + Parallel Group 5-6 in Sequence 1-8 Non-Int in TT-ORI308 (6C)	1120 Secs (1120 Secs) [==>]	[1]
	7	(25) JWST-NEP-TD F	ACS/WFC, ACCUM, WFC	F606W		POS TARG -97.696 92992193157,334.77 387252635197	Sequence 1-8 Non-Int in TT-ORI308 (6C) Prime + Parallel Group 7-8 in Sequence 1-8 Non-Int in TT-ORI308 (6C)	1090 Secs (1090 Secs) [==>]	[1]
	8	ANY	WFC3/UVIS, ACCUM, UVIS	F606W			Sequence 1-8 Non-Int in TT-ORI308 (6C) Prime + Parallel Group 7-8 in Sequence 1-8 Non-Int in TT-ORI308 (6C)	1100 Secs (1100 Secs) [==>]	[1]



Visit	<p>Proposal 17924, TT-ORI308 (6D), implementation</p> <p>Diagnostic Status: Error</p> <p>Scientific Instruments: WFC3/UVIS, ACS/WFC</p> <p>Special Requirements: BRIGHT EARTH AVOID 13.5D; ORIENT 015D TO 015 D; BETWEEN 15-NOV-2025:00:00:00 AND 15-FEB-2026:00:00:00; VISIBILITY INTERVAL 5690 S</p> <p><i>Comments: preferred orient is 308</i></p>					
Diagnostics	<p>(TT-ORI308 (6D)) Error (Form): The specified Bright Earth Avoidance angle is outside the permitted range.</p> <p>(TT-ORI308 (6D)) Warning (Form): Visibility Interval should be no longer than 1 Orbit (5665.0 secs).</p> <p>(TT-ORI308 (6D)) Warning (Orbit Planner): NO VISIBILITY TABLE CORRESPONDING TO BRIGHT EARTH AVOIDANCE ANGLE</p> <p>(TT-ORI308 (6D)) Warning (Orbit Planner): POS TARG OUTSIDE OF APERTURE</p> <p>(TT-ORI308 (6D)) Warning (Orbit Planner): POS TARG OUTSIDE OF APERTURE</p> <p>(TT-ORI308 (6D)) Warning (Orbit Planner): POS TARG OUTSIDE OF APERTURE</p> <p>(TT-ORI308 (6D)) Warning (Orbit Planner): POS TARG OUTSIDE OF APERTURE</p>					
Fixed Targets	#	Name	Target Coordinates	Targ. Coord. Corrections	Fluxes	Miscellaneous
	(25)	JWST-NEP-TDF Alt Name1: WTDF	RA: 17 22 47.8960 (260.6995667d) Dec: +65 49 21.54 (65.82265d) Equinox: J2000	Epoch of Position: 2000.0	V=27.0+/-1.0	Reference Frame: ICRS
	<p><i>Comments: The target field is the central ~5' radius portion of the JWST North Ecliptic Pole (NEP) Time-Domain Field (TDF), for which allocated JWST GTO observations will provide both NIRCcam imaging and NIRISS slitless spectroscopy. This field was defined to be the cleanest >10'x10' area in JWST's northern Continuous Viewing Zone (CVZ), where JWST will conduct a deep extragalactic time-domain survey, with added utility for extreme outer solar system and near-Galactic time-domain science. The JWST-NEP-TDF (or WTDF) is being developed as a *community field*. This HST program will provide contiguous 3-filter coverage in the UV--visible. The specified target coordinates (17:22:47.896, +65:49:21.54) are offset 90" W and ~14"S from the nominal JWST-NEP-TDF field center (17:23:02.55, +65:49:36.0) in Phase I following a detailed evaluation of suitable HST guide stars in the GSCv2.3. The JWST and Chandra field centers will be shifted to match that of HST.</i></p> <p>Category=UNIDENTIFIED</p> <p>Description=[HIGH LATITUDE FIELD, INFRARED EMITTER, OPTICAL EMITTER, ULTRAVIOLET EMITTER]</p>					

Proposal 17924 - TT-ORI308 (6D) - TREASURETROVE: Tracing the Growth of SMBHs and Spheroids through Variability and Transie...

#	Label	Target	Config,Mode,Aperture	Spectral Els.	Opt. Params.	Special Reqs.	Groups	Exp. Time (Total)/[Actual Dur.]	Orbit
Exposures	1	(25) JWST-NEP-TD F	ACS/WFC, ACCUM, WFC	F606W		POS TARG 98.2911 5936845639,350.377 83819723046; GS ACQ SCENARI O BASE103	Sequence 1-8 Non-Int in TT-ORI308 (6D) Prime + Parallel Group 1-2 in Sequence 1-8 Non-Int in TT-ORI308 (6D)	854 Secs (854 Secs) [==>]	[1]
	2	ANY	WFC3/UVIS, ACCUM, UVIS	F606W			Sequence 1-8 Non-Int in TT-ORI308 (6D) Prime + Parallel Group 1-2 in Sequence 1-8 Non-Int in TT-ORI308 (6D)	934 Secs (934 Secs) [==>]	[1]
	3	(25) JWST-NEP-TD F	ACS/WFC, ACCUM, WFC	F606W		POS TARG 98.4392 293684564,350.4640 7819723044	Sequence 1-8 Non-Int in TT-ORI308 (6D) Prime + Parallel Group 3-4 in Sequence 1-8 Non-Int in TT-ORI308 (6D)	860 Secs (860 Secs) [==>]	[1]
	4	ANY	WFC3/UVIS, ACCUM, UVIS	F606W			Sequence 1-8 Non-Int in TT-ORI308 (6D) Prime + Parallel Group 3-4 in Sequence 1-8 Non-Int in TT-ORI308 (6D)	890 Secs (890 Secs) [==>]	[1]
	5	(25) JWST-NEP-TD F	ACS/WFC, ACCUM, WFC	F606W		POS TARG 98.5133 0936845639,350.259 1781972305	Sequence 1-8 Non-Int in TT-ORI308 (6D) Prime + Parallel Group 5-6 in Sequence 1-8 Non-Int in TT-ORI308 (6D)	860 Secs (860 Secs) [==>]	[1]
	6	ANY	WFC3/UVIS, ACCUM, UVIS	F606W			Sequence 1-8 Non-Int in TT-ORI308 (6D) Prime + Parallel Group 5-6 in Sequence 1-8 Non-Int in TT-ORI308 (6D)	890 Secs (890 Secs) [==>]	[1]
	7	(25) JWST-NEP-TD F	ACS/WFC, ACCUM, WFC	F606W		POS TARG 98.3652 0936845639,350.172 9481972305	Sequence 1-8 Non-Int in TT-ORI308 (6D) Prime + Parallel Group 7-8 in Sequence 1-8 Non-Int in TT-ORI308 (6D)	1081 Secs (1081 Secs) [==>]	[1]
	8	ANY	WFC3/UVIS, ACCUM, UVIS	F606W			Sequence 1-8 Non-Int in TT-ORI308 (6D) Prime + Parallel Group 7-8 in Sequence 1-8 Non-Int in TT-ORI308 (6D)	1091 Secs (1091 Secs) [==>]	[1]

