



18103 - Anatomy of a fall: Dissecting the environment-driven transformation of late-type Virgo cluster galaxies with HST UV-optical imaging of star clusters, associations, and HII regions

Cycle: 33, Proposal Category: GO

(UV Initiative, Treasury)

(Availability Mode: SUPPORTED)

INVESTIGATORS

<i>Name</i>	<i>Institution</i>
Dr. David Thilker (PI) (Contact)	The Johns Hopkins University
Dr. Jiayi Sun (CoI) (CoPI)	University of Kentucky
Prof. Luca Cortese (CoI)	University of Western Australia
Prof. Barbara Catinella (CoI)	University of Western Australia
Dr. Toby Brown (CoI) (CSA Member)	National Research Council of Canada
Dr. Gagandeep Singh Anand (CoI)	Space Telescope Science Institute
Dr. Daniel Maschmann (CoI)	University of Wyoming
Dr. Amirnezam Amiri (CoI)	University of Arkansas Main Campus
Dr. Kirsten L. Larson (CoI)	Space Telescope Science Institute
Dr. Zefeng Li (CoI) (ESA Member)	Durham University
Mr. Hamid Hassani (CoI) (CSA Member)	University of Alberta
Mr. Rongjun Huang (CoI)	University of Western Australia
Dr. Andrew J. Battisti (CoI)	University of Western Australia
Dr. Ashley Barnes (CoI) (ESA Member)	European Southern Observatory - Germany
Dr. Amelia Fraser-McKelvie (CoI) (ESA Member)	European Southern Observatory - Germany
Dr. Eva Schinnerer (CoI) (ESA Member)	Max Planck Institute for Astronomy
Dra. Patricia Sanchez-Blazquez (CoI) (ESA Member)	Universidad Complutense de Madrid

Proposal 18103 (STScI Edit Number: 1, Created: Wednesday, February 4, 2026, 10:01:57AM Eastern Standard Time) - Overview

<i>Name</i>	<i>Institution</i>
Dr. Adam Leroy (CoI)	The Ohio State University
Dr. Yixian Cao (CoI) (ESA Member)	Max Planck Institute for Extraterrestrial Physics
Prof. Alessandro Boselli (CoI) (ESA Member)	Laboratoire d'Astrophysique de Marseille
Dr. Daniel Dale (CoI)	University of Wyoming
Dr. Oleg Y. Gnedin (CoI)	University of Michigan
Rebecca McClain (CoI)	The Ohio State University
Dr. Hwihyun Kim (CoI)	International Gemini Observatory/NSF NOIRLab
Dr. Yifei Jin (CoI)	Smithsonian Institution Astrophysical Observatory
Dr. Timothy Andrew Davis (CoI) (ESA Member)	Cardiff University
Dr. Adam Watts (CoI)	University of Western Australia

VISITS

<i>Visit</i>	<i>Targets used in Visit</i>	<i>Configurations used in Visit</i>	<i>Orbits Used</i>	<i>Last Orbit Planner Run</i>	<i>OP Current with Visit?</i>
01	(1) IC3392 ANY	ACS/WFC WFC3/UVIS	3	04-Feb-2026 10:00:39.0	yes
02	(2) NGC4064 ANY	ACS/WFC WFC3/UVIS	3	04-Feb-2026 10:00:41.0	yes
03	(3) NGC4189 ANY	ACS/WFC WFC3/UVIS	3	04-Feb-2026 10:00:42.0	yes
04	(4) NGC4192-N ANY	ACS/WFC WFC3/UVIS	3	04-Feb-2026 10:00:44.0	yes
05	(5) NGC4192-C ANY	ACS/WFC WFC3/UVIS	3	04-Feb-2026 10:00:46.0	yes
06	(6) NGC4192-S ANY	ACS/WFC WFC3/UVIS	3	04-Feb-2026 10:00:47.0	yes
07	(7) NGC4216-S ANY	ACS/WFC WFC3/UVIS	3	04-Feb-2026 10:00:49.0	yes
08	(8) NGC4216-C ANY	ACS/WFC WFC3/UVIS	3	04-Feb-2026 10:00:51.0	yes

Proposal 18103 (STScI Edit Number: 1, Created: Wednesday, February 4, 2026, 10:01:57AM Eastern Standard Time) - Overview

<i>Visit</i>	<i>Targets used in Visit</i>	<i>Configurations used in Visit</i>	<i>Orbits Used</i>	<i>Last Orbit Planner Run</i>	<i>OP Current with Visit?</i>
09	(9) NGC4216-N ANY	ACS/WFC WFC3/UVIS	3	04-Feb-2026 10:00:52.0	yes
10	(10) NGC4222 ANY	ACS/WFC WFC3/UVIS	3	04-Feb-2026 10:00:54.0	yes
11	(11) NGC4293-E ANY	ACS/WFC WFC3/UVIS	3	04-Feb-2026 10:00:55.0	yes
12	(12) NGC4293-W ANY	ACS/WFC WFC3/UVIS	3	04-Feb-2026 10:00:57.0	yes
13	(13) NGC4294 ANY	ACS/WFC WFC3/UVIS	3	04-Feb-2026 10:00:59.0	yes
14	(14) NGC4302-N ANY	ACS/WFC WFC3/UVIS	3	04-Feb-2026 10:01:00.0	yes
15	(15) NGC4302-S ANY	ACS/WFC WFC3/UVIS	3	04-Feb-2026 10:01:02.0	yes
16	(16) NGC4330 ANY	ACS/WFC WFC3/UVIS	3	04-Feb-2026 10:01:04.0	yes
17	(17) NGC4351 ANY	ACS/WFC WFC3/UVIS	3	04-Feb-2026 10:01:05.0	yes
18	(18) NGC4380 ANY	ACS/WFC WFC3/UVIS	3	04-Feb-2026 10:01:07.0	yes
19	(19) NGC4383-S ANY	ACS/WFC WFC3/UVIS	3	04-Feb-2026 10:01:08.0	yes
20	(20) NGC4383-N ANY	ACS/WFC WFC3/UVIS	3	04-Feb-2026 10:01:10.0	yes
21	(21) NGC4388 ANY	ACS/WFC WFC3/UVIS	3	04-Feb-2026 10:01:11.0	yes
22	(22) NGC4394 ANY	ACS/WFC WFC3/UVIS	3	04-Feb-2026 10:01:13.0	yes

Proposal 18103 (STScI Edit Number: 1, Created: Wednesday, February 4, 2026, 10:01:57AM Eastern Standard Time) - Overview

<i>Visit</i>	<i>Targets used in Visit</i>	<i>Configurations used in Visit</i>	<i>Orbits Used</i>	<i>Last Orbit Planner Run</i>	<i>OP Current with Visit?</i>
23	(23) NGC4396 ANY	ACS/WFC WFC3/UVIS	3	04-Feb-2026 10:01:15.0	yes
24	(24) NGC4402 ANY	ACS/WFC WFC3/UVIS	3	04-Feb-2026 10:01:16.0	yes
25	(25) NGC4405 ANY	ACS/WFC WFC3/UVIS	3	04-Feb-2026 10:01:18.0	yes
26	(26) NGC4419 ANY	ACS/WFC WFC3/UVIS	3	04-Feb-2026 10:01:20.0	yes
27	(27) NGC4450 ANY	ACS/WFC WFC3/UVIS	3	04-Feb-2026 10:01:21.0	yes
28	(28) NGC4501-N ANY	ACS/WFC WFC3/UVIS	3	04-Feb-2026 10:01:23.0	yes
29	(29) NGC4501-S ANY	ACS/WFC WFC3/UVIS	3	04-Feb-2026 10:01:24.0	yes
30	(30) NGC4522 ANY	ACS/WFC WFC3/UVIS	3	04-Feb-2026 10:01:26.0	yes
31	(31) NGC4567 ANY	ACS/WFC WFC3/UVIS	3	04-Feb-2026 10:01:27.0	yes
32	(32) NGC4568 ANY	ACS/WFC WFC3/UVIS	3	04-Feb-2026 10:01:29.0	yes
33	(33) NGC4580 ANY	ACS/WFC WFC3/UVIS	3	04-Feb-2026 10:01:31.0	yes
34	(34) NGC4606 ANY	ACS/WFC WFC3/UVIS	3	04-Feb-2026 10:01:32.0	yes
35	(35) NGC4607 ANY	ACS/WFC WFC3/UVIS	3	04-Feb-2026 10:01:34.0	yes
36	(36) NGC4654-JELLYFISHTAIL ANY	ACS/WFC WFC3/UVIS	3	04-Feb-2026 10:01:35.0	yes

Proposal 18103 (STScI Edit Number: 1, Created: Wednesday, February 4, 2026, 10:01:57AM Eastern Standard Time) - Overview

<i>Visit</i>	<i>Targets used in Visit</i>	<i>Configurations used in Visit</i>	<i>Orbits Used</i>	<i>Last Orbit Planner Run</i>	<i>OP Current with Visit?</i>
37	(37) NGC4698 ANY	ACS/WFC WFC3/UVIS	3	04-Feb-2026 10:01:37.0	yes
38	(1) IC3392 ANY	ACS/WFC WFC3/UVIS	1	04-Feb-2026 10:01:38.0	yes
39	(2) NGC4064 ANY	ACS/WFC WFC3/UVIS	1	04-Feb-2026 10:01:38.0	yes
40	(3) NGC4189 ANY	ACS/WFC WFC3/UVIS	1	04-Feb-2026 10:01:39.0	yes
41	(4) NGC4192-N ANY	ACS/WFC WFC3/UVIS	1	04-Feb-2026 10:01:40.0	yes
42	(5) NGC4192-C ANY	ACS/WFC WFC3/UVIS	1	04-Feb-2026 10:01:40.0	yes
43	(6) NGC4192-S ANY	ACS/WFC WFC3/UVIS	1	04-Feb-2026 10:01:41.0	yes
45	(8) NGC4216-C ANY	ACS/WFC WFC3/UVIS	1	04-Feb-2026 10:01:41.0	yes
46	(9) NGC4216-N ANY	ACS/WFC WFC3/UVIS	1	04-Feb-2026 10:01:42.0	yes
47	(10) NGC4222 ANY	ACS/WFC WFC3/UVIS	1	04-Feb-2026 10:01:42.0	yes
48	(11) NGC4293-E ANY	ACS/WFC WFC3/UVIS	1	04-Feb-2026 10:01:43.0	yes
49	(12) NGC4293-W ANY	ACS/WFC WFC3/UVIS	1	04-Feb-2026 10:01:43.0	yes
50	(13) NGC4294 ANY	ACS/WFC WFC3/UVIS	1	04-Feb-2026 10:01:44.0	yes
51	(14) NGC4302-N ANY	ACS/WFC WFC3/UVIS	1	04-Feb-2026 10:01:44.0	yes

Proposal 18103 (STScI Edit Number: 1, Created: Wednesday, February 4, 2026, 10:01:57AM Eastern Standard Time) - Overview

<i>Visit</i>	<i>Targets used in Visit</i>	<i>Configurations used in Visit</i>	<i>Orbits Used</i>	<i>Last Orbit Planner Run</i>	<i>OP Current with Visit?</i>
52	(15) NGC4302-S ANY	ACS/WFC WFC3/UVIS	1	04-Feb-2026 10:01:45.0	yes
53	(16) NGC4330 ANY	ACS/WFC WFC3/UVIS	1	04-Feb-2026 10:01:46.0	yes
54	(17) NGC4351 ANY	ACS/WFC WFC3/UVIS	1	04-Feb-2026 10:01:46.0	yes
55	(18) NGC4380 ANY	ACS/WFC WFC3/UVIS	1	04-Feb-2026 10:01:47.0	yes
57	(20) NGC4383-N ANY	ACS/WFC WFC3/UVIS	1	04-Feb-2026 10:01:47.0	yes
59	(22) NGC4394 ANY	ACS/WFC WFC3/UVIS	1	04-Feb-2026 10:01:48.0	yes
60	(23) NGC4396 ANY	ACS/WFC WFC3/UVIS	1	04-Feb-2026 10:01:48.0	yes
62	(25) NGC4405 ANY	ACS/WFC WFC3/UVIS	1	04-Feb-2026 10:01:49.0	yes
63	(26) NGC4419 ANY	ACS/WFC WFC3/UVIS	1	04-Feb-2026 10:01:49.0	yes
64	(27) NGC4450 ANY	ACS/WFC WFC3/UVIS	1	04-Feb-2026 10:01:50.0	yes
65	(28) NGC4501-N ANY	ACS/WFC WFC3/UVIS	1	04-Feb-2026 10:01:50.0	yes
66	(29) NGC4501-S ANY	ACS/WFC WFC3/UVIS	1	04-Feb-2026 10:01:51.0	yes
68	(31) NGC4567 ANY	ACS/WFC WFC3/UVIS	1	04-Feb-2026 10:01:52.0	yes
69	(32) NGC4568 ANY	ACS/WFC WFC3/UVIS	1	04-Feb-2026 10:01:52.0	yes

<i>Visit</i>	<i>Targets used in Visit</i>	<i>Configurations used in Visit</i>	<i>Orbits Used</i>	<i>Last Orbit Planner Run</i>	<i>OP Current with Visit?</i>
70	(33) NGC4580 ANY	ACS/WFC WFC3/UVIS	1	04-Feb-2026 10:01:53.0	yes
71	(34) NGC4606 ANY	ACS/WFC WFC3/UVIS	1	04-Feb-2026 10:01:53.0	yes
72	(35) NGC4607 ANY	ACS/WFC WFC3/UVIS	1	04-Feb-2026 10:01:54.0	yes
73	(36) NGC4654-JELLYFISHTAIL ANY	ACS/WFC WFC3/UVIS	1	04-Feb-2026 10:01:55.0	yes
74	(37) NGC4698 ANY	ACS/WFC WFC3/UVIS	1	04-Feb-2026 10:01:55.0	yes
75	(38) NGC4321 ANY	ACS/WFC WFC3/UVIS	1	04-Feb-2026 10:01:56.0	yes
76	(39) NGC4254 ANY	ACS/WFC WFC3/UVIS	1	04-Feb-2026 10:01:56.0	yes

145 Total Orbits Used

ABSTRACT

Understanding galaxy evolution in dense cluster environments remains a significant challenge. While recent works have highlighted trends like the outside-in removal of cold interstellar medium (ISM) and reduced star formation (SF) activity, key questions about the cessation of SF remain open. To address this, we propose a survey of 40 late-type Virgo cluster galaxies, probing down to the scale of individual star clusters, associations, and nebulae, while tracing galaxies at different stages of cluster infall. We will obtain WFC3/UVIS NUV/U/B/V/I and H-alpha imaging, which builds on ALMA and MUSE surveys to offer a complete census covering stellar populations and structures, HII regions, molecular clouds, ionized and molecular gas kinematics, and metallicity. These data are crucial for tracing the flow of matter and energy through the gas-SF-feedback cycle, which drives galaxy evolution. Our primary scientific goals, achievable only with HST, are to: (1) accurately age-date stellar components to infer evolutionary timescales/SFH of the disk, using clusters as a precision probe; (2) quantify the coupling and efficiency of feedback into the ISM from birth to hundreds of Myr enabling a test of ram pressure / gas stripping models and (3) study the physical conditions set by gas removal processes during infall and their impact on localized SF activity. The resulting data will be released as a Treasury of cross-observatory images and catalogs, linking CO clouds, stellar objects, and HII regions in cluster galaxies. Our findings will be contrasted to recent results for field galaxies enabling a

Proposal 18103 (STScI Edit Number: 1, Created: Wednesday, February 4, 2026, 10:01:57AM Eastern Standard Time) - Overview
clear identification/characterization of the impact of environmental transformation.

OBSERVING DESCRIPTION

We use 145 orbits to obtain primary WFC3/UVIS imaging in 5 broadband filters (F275W, F336W, F438W, F555W, and F814W) and Halpha (F657N) to identify and physically characterize clusters, stellar associations, and H ii regions in our 40 galaxy sample. This tally accounts for reusing archival imaging whenever possible (41 orbits saved). For 22 galaxies [30 pointings], there is little or no suitable archival WFC3/UVIS or ACS/WFC imaging in our program filters, and for these non-archival targets we need four orbits per field (=120 orbits, as NGC 4192, NGC 4294, NGC 4501 need multiple pointings to cover the ALMA+MUSE footprint) to observe with NUV/U/B/V/I and Halpha. For 18 archival galaxies [12 pointings; 10 galaxies complete; 25 orbits] the number of orbits required per pointing is 0-4, depending on the specific bands currently missing. We require 143 orbits of parallel ACS F606W, F814W imaging in the halos of our targets to measure TRGB distances / detect GCs (primary targets needing 1 orbit are excluded).

We follow the five-band strategy established by LEGUS (10; F275W, F336W, F438W, F555W, F814W), but add F657N (Halpha) and make use of any archival JWST bands. F275W is essential for accurate constraint of the intrinsic UV slope. Taken together, these filters can break the age-extinction degeneracy. Halpha continuum subtraction will be based on F555W and F814W. For each non-archival pointing the HST imaging will fit into a 3 orbit sequence, with total exposure times of 2200 s (NUV), 1100 s (U), 1100 s (B), 670 s (V), 830 s (I), for broadband filters, with a separate single orbit visit for Halpha (2200 s). A 3-point dither pattern will be used to cover the chip gap, remove CRs, and improve sampling of the PSF. Post-flash will be used to mitigate CTE losses. This depth yields high-quality photometric measurements, physical parameter determinations, and structural classifications for clusters having apparent [absolute] Vega magnitudes of ~ 24.8 [-6.3], 24.6 [-6.5], 24.6 [-6.5], 24.1 [-7.0], and 23.5 [-7.6] in NUV, U, B, V, and I. Given typical cloud-scale SFE of 1-10%, our detection limit for young clusters (a few $\times 10^3$ Msun) is well-matched to the CO data, which are sensitive to individual molecular clouds down to $\sim 10^5$ Msun. For Halpha observations, we will use a full orbit to obtain the 2200 s image, reaching surface brightness levels in Halpha of 6×10^{-16} erg s⁻¹ cm⁻² arcsec⁻². This enables us to detect gas ionized by one O star or a few early B stars at Virgo's distance.

Proposal 18103 - IC3392 BB (01) - Anatomy of a fall: Dissecting the environment-driven transformation of late-type Virgo cluster gala...

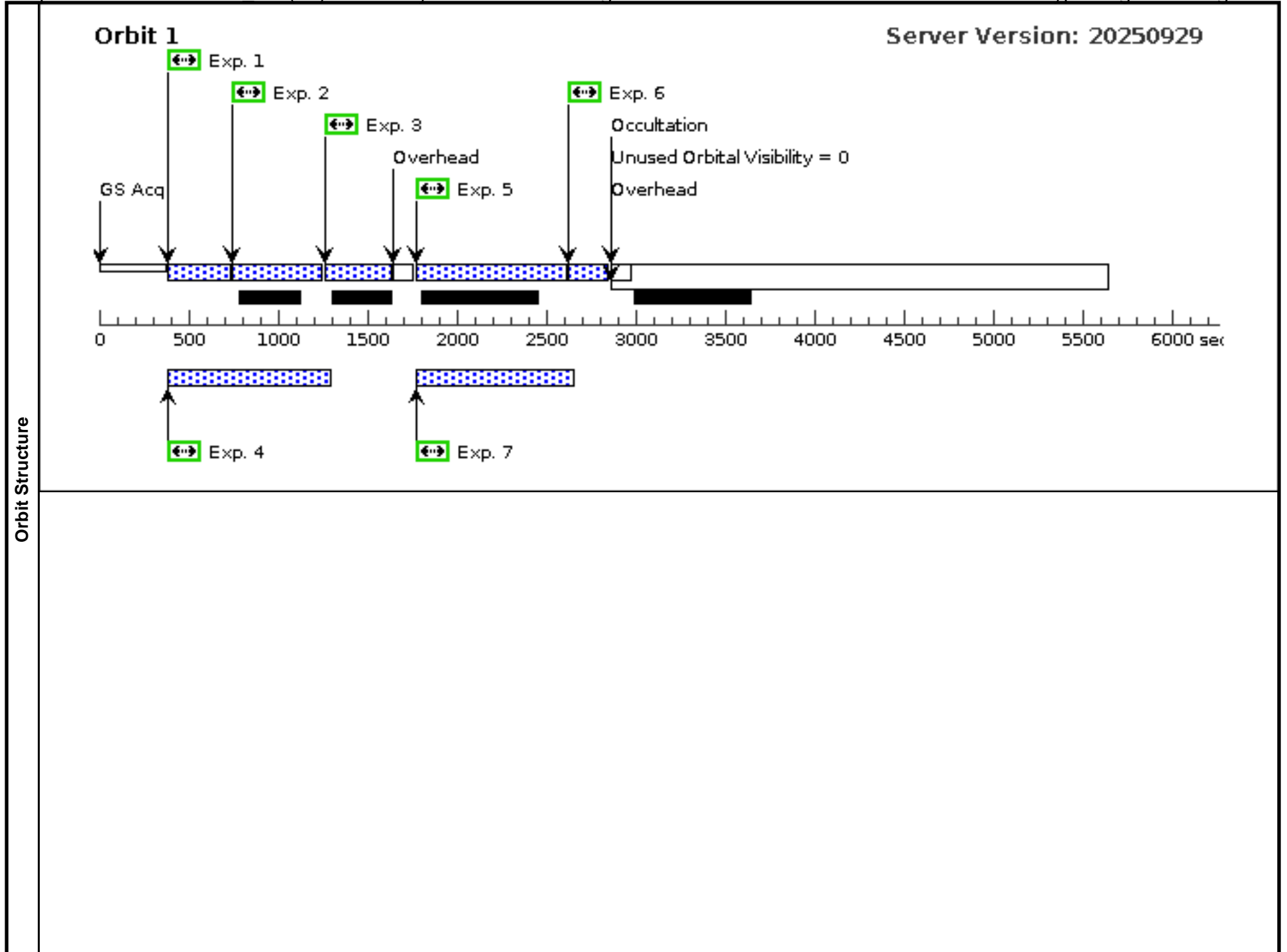
Visit	Proposal 18103, IC3392_BB (01), scheduling Wed Feb 04 15:01:57 GMT 2026 Diagnostic Status: No Diagnostics Scientific Instruments: WFC3/UVIS, ACS/WFC Special Requirements: SCHED 100%; GROUP 01,38 WITHIN 30D <i>Comments: NUBVIHa</i>					
	Fixed Targets	#	Name	Target Coordinates	Targ. Coord. Corrections	Fluxes
(1)		IC3392	RA: 12 28 43.2764 (187.1803183d) Dec: +14 59 57.96 (14.99943d) Equinox: J2000		V=11	Reference Frame: ICRS
	<i>Comments:</i> Category=GALAXY Description=[SPIRAL]					

Proposal 18103 - IC3392 BB (01) - Anatomy of a fall: Dissecting the environment-driven transformation of late-type Virgo cluster gala...

Exposures	#	Label	Target	Config,Mode,Aperture	Spectral Els.	Opt. Params.	Special Reqs.	Groups	Exp. Time (Total)/[Actual Dur.]	Orbit
	1	F814W_OR BIT1	(1) IC3392	WFC3/UVIS, ACCUM, UVIS-FIX	F814W	FLASH=15	POS TARG 0,0	Prime + Parallel Group 1-4 in IC3392_BB (01)	200 Secs (200 Secs) [==>]	[1]
	2	F438W_OR BIT1	(1) IC3392	WFC3/UVIS, ACCUM, UVIS-FIX	F438W	FLASH=17	POS TARG 0,0	Prime + Parallel Group 1-4 in IC3392_BB (01)	348 Secs (348 Secs) [==>]	[1]
	3	F336W_OR BIT1	(1) IC3392	WFC3/UVIS, ACCUM, UVIS-FIX	F336W	FLASH=20	POS TARG 0,0	Prime + Parallel Group 1-4 in IC3392_BB (01)	348 Secs (348 Secs) [==>]	[1]
	4	F814W-PA R_ORBIT1	ANY	ACS/WFC, ACCUM, WFC	F814W			Prime + Parallel Group 1-4 in IC3392_BB (01)	700 Secs (700 Secs) [==>]	[1]
	5	F275W_OR BIT1	(1) IC3392	WFC3/UVIS, ACCUM, UVIS-FIX	F275W	FLASH=20	POS TARG 0,0	Prime + Parallel Group 5-7 in IC3392_BB (01)	695 Secs (695 Secs) [==>]	[1]
	6	F555W_OR BIT1	(1) IC3392	WFC3/UVIS, ACCUM, UVIS-FIX	F555W	FLASH=15	POS TARG 0,0	Prime + Parallel Group 5-7 in IC3392_BB (01)	204 Secs (204 Secs) [==>]	[1]
	7	F606W-PA R_ORBIT1	ANY	ACS/WFC, ACCUM, WFC	F606W			Prime + Parallel Group 5-7 in IC3392_BB (01)	700 Secs (700 Secs) [==>]	[1]
	8	F814W_OR BIT2	(1) IC3392	WFC3/UVIS, ACCUM, UVIS-FIX	F814W	FLASH=15	POS TARG 0.172,1.803	Prime + Parallel Group 8-11 in IC3392_BB (01)	260 Secs (260 Secs) [==>]	[2]
	9	F438W_OR BIT2	(1) IC3392	WFC3/UVIS, ACCUM, UVIS-FIX	F438W	FLASH=17	POS TARG 0.172,1.803	Prime + Parallel Group 8-11 in IC3392_BB (01)	348 Secs (348 Secs) [==>]	[2]
	10	F336W_OR BIT2	(1) IC3392	WFC3/UVIS, ACCUM, UVIS-FIX	F336W	FLASH=20	POS TARG 0.172,1.803	Prime + Parallel Group 8-11 in IC3392_BB (01)	300 Secs (300 Secs) [==>]	[2]
	11	F606W-PA R_ORBIT2	ANY	ACS/WFC, ACCUM, WFC	F606W			Prime + Parallel Group 8-11 in IC3392_BB (01)	900 Secs (900 Secs) [==>]	[2]
	12	F275W_OR BIT2	(1) IC3392	WFC3/UVIS, ACCUM, UVIS-FIX	F275W	FLASH=20	POS TARG 0.172,1.803	Prime + Parallel Group 12-14 in IC3392_BB (01)	668 Secs (668 Secs) [==>]	[2]
	13	F555W_OR BIT2	(1) IC3392	WFC3/UVIS, ACCUM, UVIS-FIX	F555W	FLASH=15	POS TARG 0.172,1.803	Prime + Parallel Group 12-14 in IC3392_BB (01)	212 Secs (212 Secs) [==>]	[2]
	14	F814W-PA R_ORBIT2	ANY	ACS/WFC, ACCUM, WFC	F814W			Prime + Parallel Group 12-14 in IC3392_BB (01)	700 Secs (700 Secs) [==>]	[2]
	15	F814W_OR BIT3	(1) IC3392	WFC3/UVIS, ACCUM, UVIS-FIX	F814W	FLASH=15	POS TARG 0.343,3.606	Prime + Parallel Group 15-18 in IC3392_BB (01)	227 Secs (227 Secs) [==>]	[3]
	16	F438W_OR BIT3	(1) IC3392	WFC3/UVIS, ACCUM, UVIS-FIX	F438W	FLASH=17	POS TARG 0.343,3.606	Prime + Parallel Group 15-18 in IC3392_BB (01)	348 Secs (348 Secs) [==>]	[3]
	17	F336W_OR BIT3	(1) IC3392	WFC3/UVIS, ACCUM, UVIS-FIX	F336W	FLASH=20	POS TARG 0.343,3.606	Prime + Parallel Group 15-18 in IC3392_BB (01)	348 Secs (348 Secs) [==>]	[3]
18	F814W-PA R_ORBIT3	ANY	ACS/WFC, ACCUM, WFC	F814W			Prime + Parallel Group 15-18 in IC3392_BB (01)	900 Secs (900 Secs) [==>]	[3]	

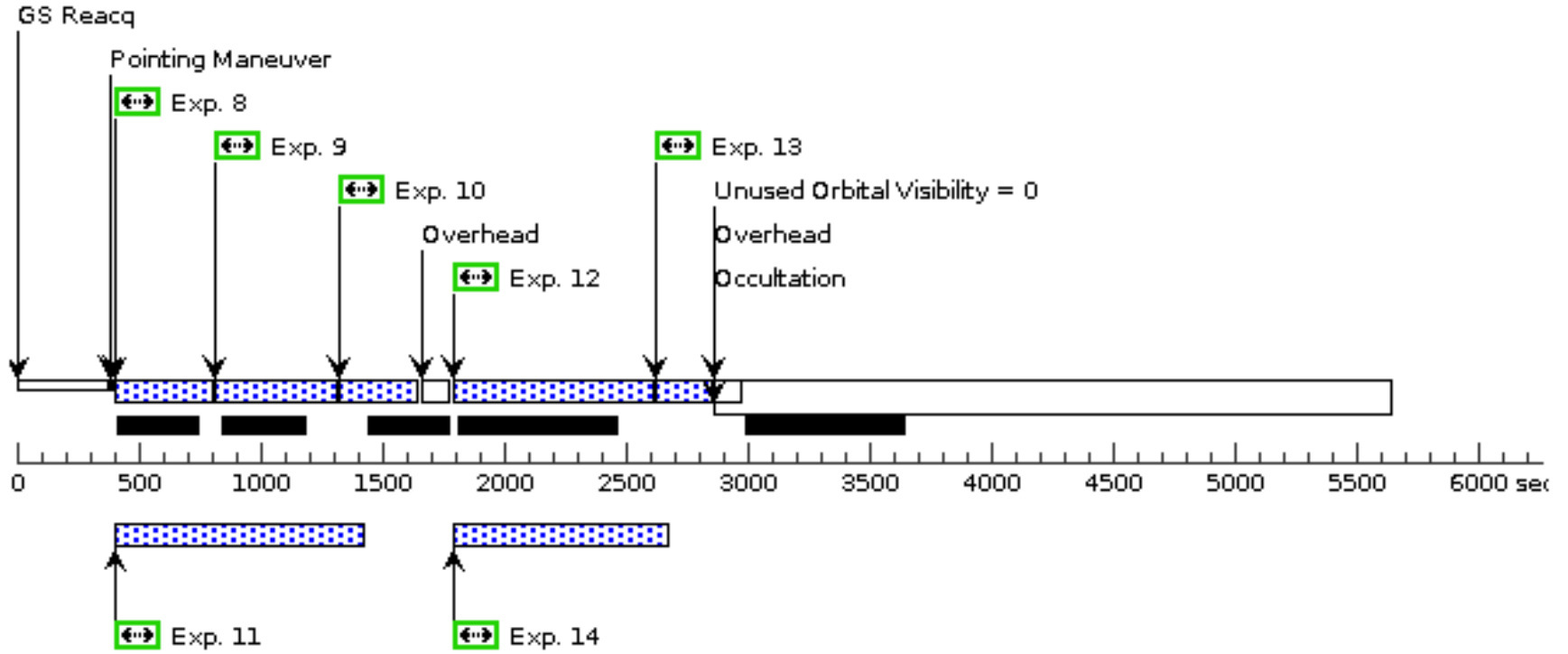
Proposal 18103 - IC3392 BB (01) - Anatomy of a fall: Dissecting the environment-driven transformation of late-type Virgo cluster gala...

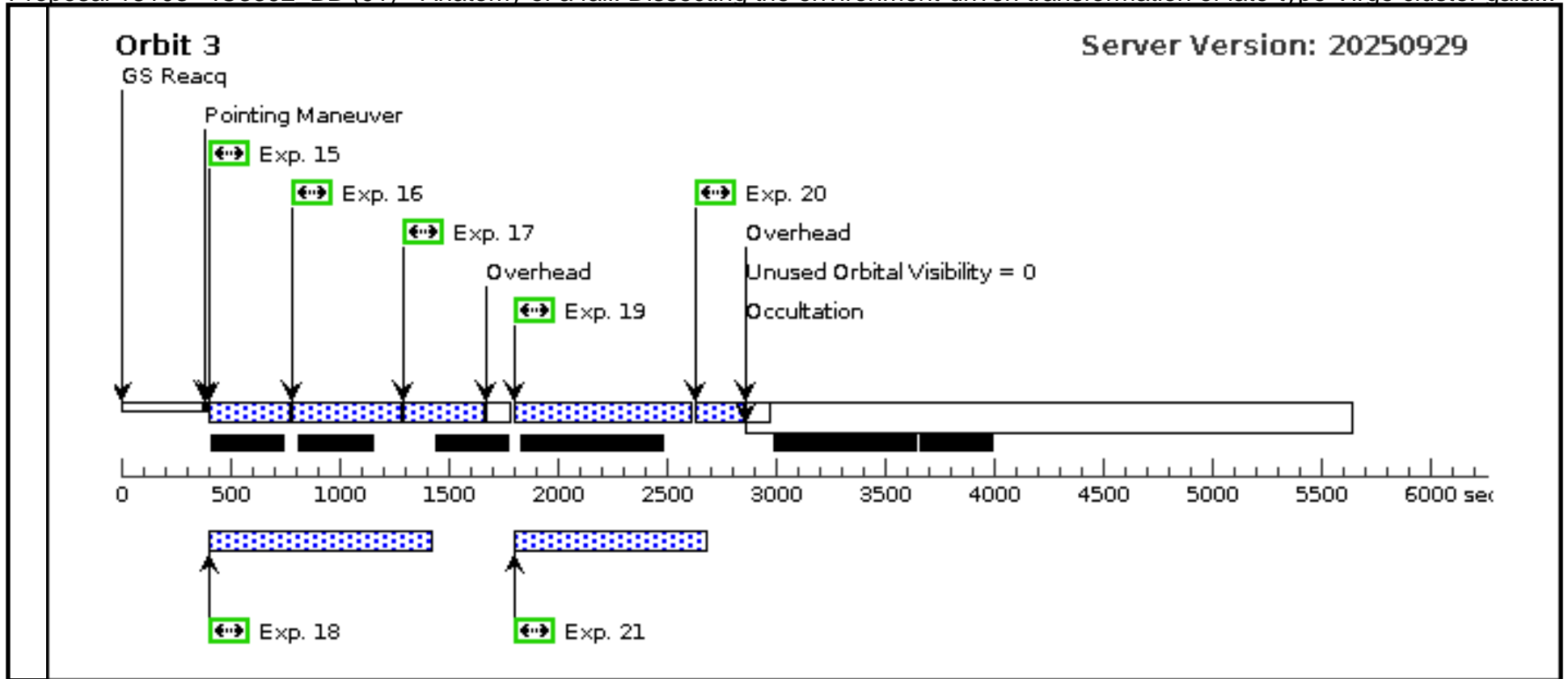
19	F275W_OR BIT3	(1) IC3392	WFC3/UVIS, ACCUM, UVIS-FIX	F275W	FLASH=20	POS TARG 0.343,3. 606	Prime + Parallel Gro up 19-21 in IC3392_ BB (01)	665 Secs (665 Secs) [==>]	[3]
20	F555W_OR BIT3	(1) IC3392	WFC3/UVIS, ACCUM, UVIS-FIX	F555W	FLASH=15	POS TARG 0.343,3. 606	Prime + Parallel Gro up 19-21 in IC3392_ BB (01)	200 Secs (200 Secs) [==>]	[3]
21	F606W-PA R_ORBIT3	ANY	ACS/WFC, ACCUM, WFC	F606W			Prime + Parallel Gro up 19-21 in IC3392_ BB (01)	700 Secs (700 Secs) [==>]	[3]



Orbit 2

Server Version: 20250929





Proposal 18103 - NGC4064_BB (02) - Anatomy of a fall: Dissecting the environment-driven transformation of late-type Virgo cluster ga...

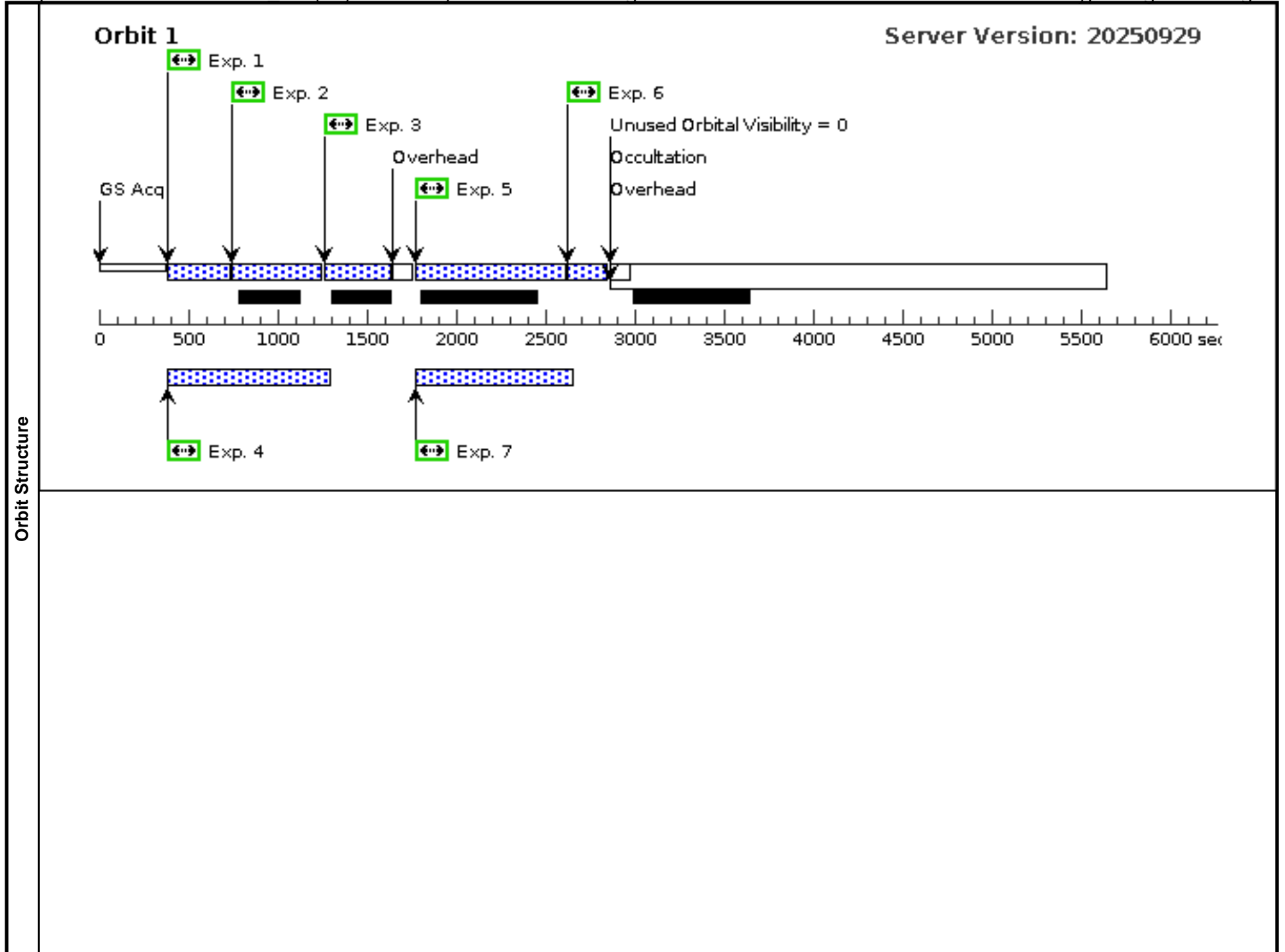
Visit	Proposal 18103, NGC4064_BB (02), scheduling Wed Feb 04 15:01:57 GMT 2026 Diagnostic Status: No Diagnostics Scientific Instruments: WFC3/UVIS, ACS/WFC Special Requirements: SCHED 100%; GROUP 02,39 WITHIN 30D <i>Comments: NUBVIHa</i>					
	Fixed Targets	#	Name	Target Coordinates	Targ. Coord. Corrections	Fluxes
(2)		NGC4064	RA: 12 04 11.1910 (181.0466292d) Dec: +18 26 36.42 (18.44345d) Equinox: J2000		V=11	Reference Frame: ICRS
<i>Comments:</i> Category=GALAXY Description=[SPIRAL]						

Proposal 18103 - NGC4064 BB (02) - Anatomy of a fall: Dissecting the environment-driven transformation of late-type Virgo cluster ga...

Exposures	#	Label	Target	Config,Mode,Aperture	Spectral Els.	Opt. Params.	Special Reqs.	Groups	Exp. Time (Total)/[Actual Dur.]	Orbit
	1	F814W_OR BIT1	(2) NGC4064	WFC3/UVIS, ACCUM, UVIS-FIX	F814W	FLASH=15	POS TARG 0,0	Prime + Parallel Group 1-4 in NGC4064_BB (02)	200 Secs (200 Secs) [==>]	[1]
	2	F438W_OR BIT1	(2) NGC4064	WFC3/UVIS, ACCUM, UVIS-FIX	F438W	FLASH=17	POS TARG 0,0	Prime + Parallel Group 1-4 in NGC4064_BB (02)	348 Secs (348 Secs) [==>]	[1]
	3	F336W_OR BIT1	(2) NGC4064	WFC3/UVIS, ACCUM, UVIS-FIX	F336W	FLASH=20	POS TARG 0,0	Prime + Parallel Group 1-4 in NGC4064_BB (02)	348 Secs (348 Secs) [==>]	[1]
	4	F814W-PA R_ORBIT1	ANY	ACS/WFC, ACCUM, WFC	F814W			Prime + Parallel Group 1-4 in NGC4064_BB (02)	700 Secs (700 Secs) [==>]	[1]
	5	F275W_OR BIT1	(2) NGC4064	WFC3/UVIS, ACCUM, UVIS-FIX	F275W	FLASH=20	POS TARG 0,0	Prime + Parallel Group 5-7 in NGC4064_BB (02)	695 Secs (695 Secs) [==>]	[1]
	6	F555W_OR BIT1	(2) NGC4064	WFC3/UVIS, ACCUM, UVIS-FIX	F555W	FLASH=15	POS TARG 0,0	Prime + Parallel Group 5-7 in NGC4064_BB (02)	203 Secs (203 Secs) [==>]	[1]
	7	F606W-PA R_ORBIT1	ANY	ACS/WFC, ACCUM, WFC	F606W			Prime + Parallel Group 5-7 in NGC4064_BB (02)	700 Secs (700 Secs) [==>]	[1]
	8	F814W_OR BIT2	(2) NGC4064	WFC3/UVIS, ACCUM, UVIS-FIX	F814W	FLASH=15	POS TARG 0.172,1.803	Prime + Parallel Group 8-11 in NGC4064_BB (02)	259 Secs (259 Secs) [==>]	[2]
	9	F438W_OR BIT2	(2) NGC4064	WFC3/UVIS, ACCUM, UVIS-FIX	F438W	FLASH=17	POS TARG 0.172,1.803	Prime + Parallel Group 8-11 in NGC4064_BB (02)	348 Secs (348 Secs) [==>]	[2]
	10	F336W_OR BIT2	(2) NGC4064	WFC3/UVIS, ACCUM, UVIS-FIX	F336W	FLASH=20	POS TARG 0.172,1.803	Prime + Parallel Group 8-11 in NGC4064_BB (02)	300 Secs (300 Secs) [==>]	[2]
	11	F606W-PA R_ORBIT2	ANY	ACS/WFC, ACCUM, WFC	F606W			Prime + Parallel Group 8-11 in NGC4064_BB (02)	900 Secs (900 Secs) [==>]	[2]
	12	F275W_OR BIT2	(2) NGC4064	WFC3/UVIS, ACCUM, UVIS-FIX	F275W	FLASH=20	POS TARG 0.172,1.803	Prime + Parallel Group 12-14 in NGC4064_BB (02)	668 Secs (668 Secs) [==>]	[2]
	13	F555W_OR BIT2	(2) NGC4064	WFC3/UVIS, ACCUM, UVIS-FIX	F555W	FLASH=15	POS TARG 0.172,1.803	Prime + Parallel Group 12-14 in NGC4064_BB (02)	212 Secs (212 Secs) [==>]	[2]
	14	F814W-PA R_ORBIT2	ANY	ACS/WFC, ACCUM, WFC	F814W			Prime + Parallel Group 12-14 in NGC4064_BB (02)	700 Secs (700 Secs) [==>]	[2]
	15	F814W_OR BIT3	(2) NGC4064	WFC3/UVIS, ACCUM, UVIS-FIX	F814W	FLASH=15	POS TARG 0.343,3.606	Prime + Parallel Group 15-18 in NGC4064_BB (02)	226 Secs (226 Secs) [==>]	[3]
	16	F438W_OR BIT3	(2) NGC4064	WFC3/UVIS, ACCUM, UVIS-FIX	F438W	FLASH=17	POS TARG 0.343,3.606	Prime + Parallel Group 15-18 in NGC4064_BB (02)	348 Secs (348 Secs) [==>]	[3]
	17	F336W_OR BIT3	(2) NGC4064	WFC3/UVIS, ACCUM, UVIS-FIX	F336W	FLASH=20	POS TARG 0.343,3.606	Prime + Parallel Group 15-18 in NGC4064_BB (02)	348 Secs (348 Secs) [==>]	[3]
18	F814W-PA R_ORBIT3	ANY	ACS/WFC, ACCUM, WFC	F814W			Prime + Parallel Group 15-18 in NGC4064_BB (02)	900 Secs (900 Secs) [==>]	[3]	

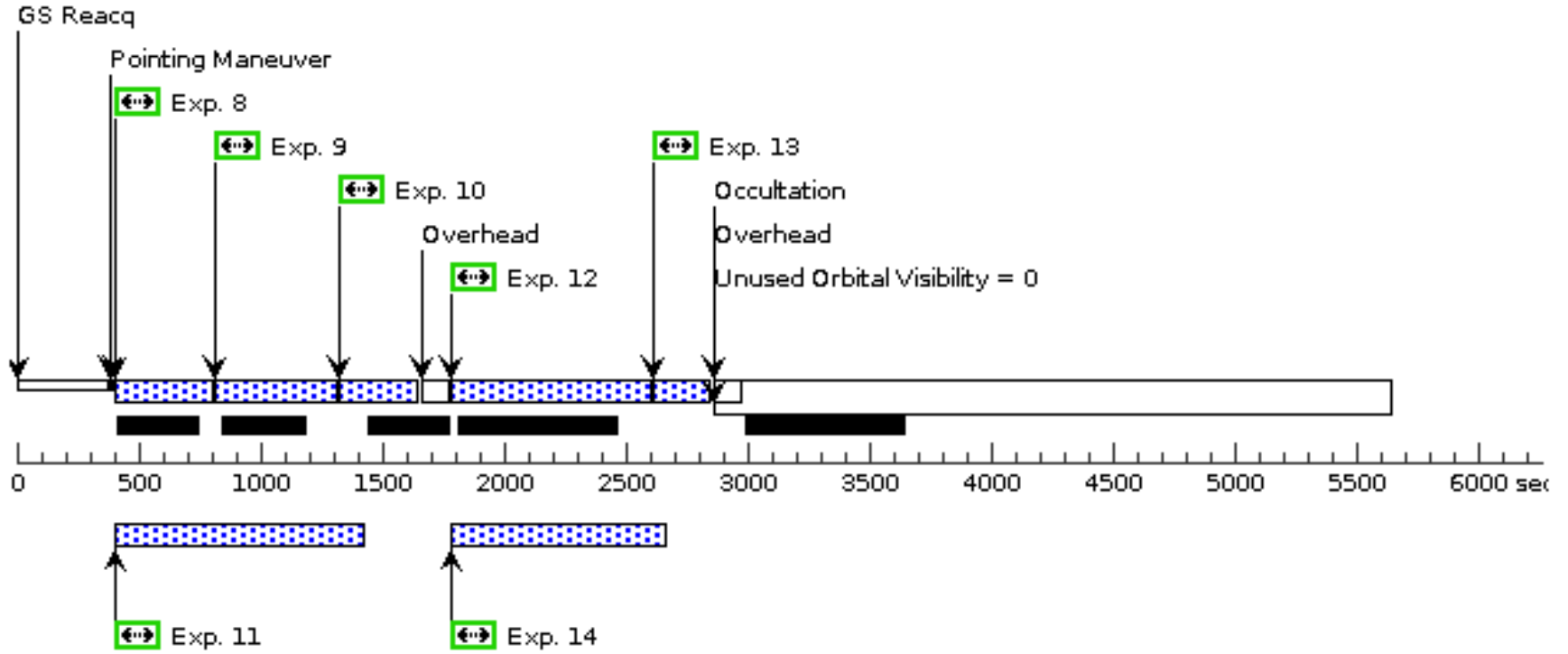
Proposal 18103 - NGC4064 BB (02) - Anatomy of a fall: Dissecting the environment-driven transformation of late-type Virgo cluster ga...

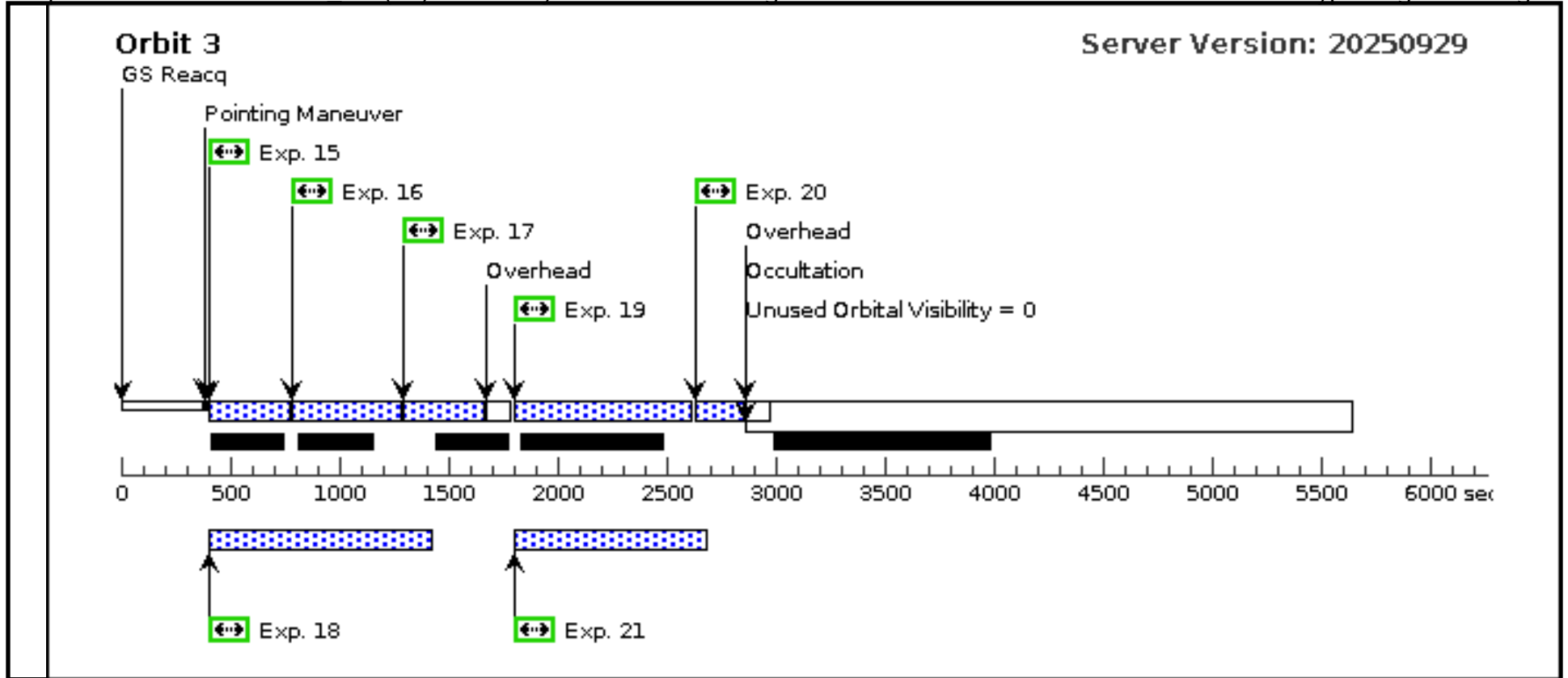
19	F275W_OR BIT3	(2) NGC4064	WFC3/UVIS, ACCUM, UVIS-FIX	F275W	FLASH=20	POS TARG 0.343,3. 606	Prime + Parallel Gro up 19-21 in NGC406 4_BB (02)	665 Secs (665 Secs) [==>]	[3]
20	F555W_OR BIT3	(2) NGC4064	WFC3/UVIS, ACCUM, UVIS-FIX	F555W	FLASH=15	POS TARG 0.343,3. 606	Prime + Parallel Gro up 19-21 in NGC406 4_BB (02)	200 Secs (200 Secs) [==>]	[3]
21	F606W-PA R_ORBIT3	ANY	ACS/WFC, ACCUM, WFC	F606W			Prime + Parallel Gro up 19-21 in NGC406 4_BB (02)	700 Secs (700 Secs) [==>]	[3]



Orbit 2

Server Version: 20250929





Proposal 18103 - NGC4189_BB (03) - Anatomy of a fall: Dissecting the environment-driven transformation of late-type Virgo cluster ga...

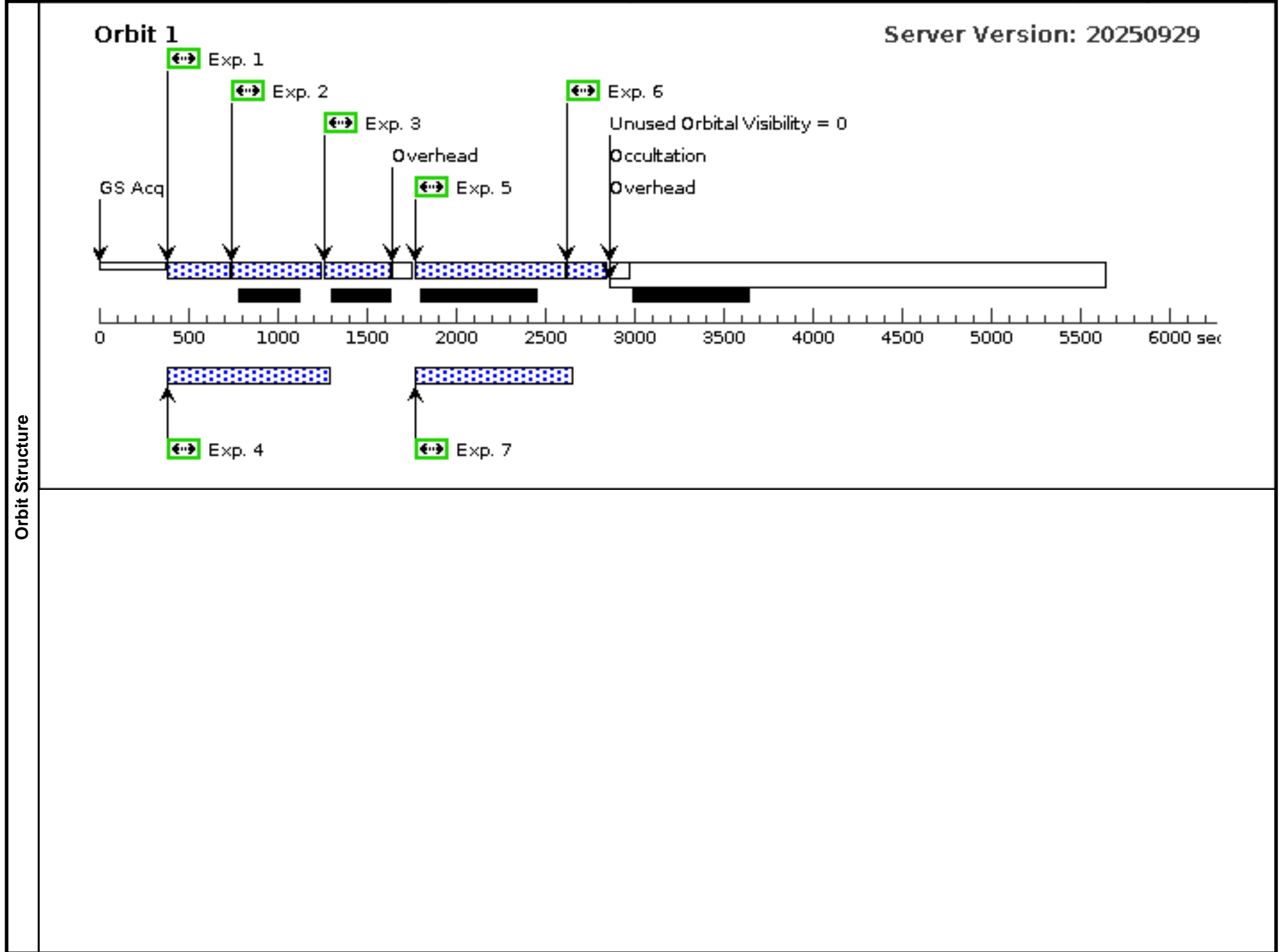
Visit	Proposal 18103, NGC4189_BB (03), scheduling Wed Feb 04 15:01:57 GMT 2026 Diagnostic Status: No Diagnostics Scientific Instruments: WFC3/UVIS, ACS/WFC Special Requirements: SCHED 100%; GROUP 03,40 WITHIN 30D Comments: NUBVIHa					
	Fixed Targets	#	Name	Target Coordinates	Targ. Coord. Corrections	Fluxes
(3)		NGC4189	RA: 12 13 47.2380 (183.4468250d) Dec: +13 25 39.68 (13.42769d) Equinox: J2000		V=11	Reference Frame: ICRS
	Comments: Category=GALAXY Description=[SPIRAL]					

Proposal 18103 - NGC4189 BB (03) - Anatomy of a fall: Dissecting the environment-driven transformation of late-type Virgo cluster ga...

Exposures	#	Label	Target	Config,Mode,Aperture	Spectral Els.	Opt. Params.	Special Reqs.	Groups	Exp. Time (Total)/[Actual Dur.]	Orbit
	1	F814W_OR BIT1	(3) NGC4189	WFC3/UVIS, ACCUM, UVIS-FIX	F814W	FLASH=15	POS TARG 0,0	Prime + Parallel Group 1-4 in NGC4189_BB (03)	200 Secs (200 Secs) [==>]	[1]
	2	F438W_OR BIT1	(3) NGC4189	WFC3/UVIS, ACCUM, UVIS-FIX	F438W	FLASH=17	POS TARG 0,0	Prime + Parallel Group 1-4 in NGC4189_BB (03)	348 Secs (348 Secs) [==>]	[1]
	3	F336W_OR BIT1	(3) NGC4189	WFC3/UVIS, ACCUM, UVIS-FIX	F336W	FLASH=20	POS TARG 0,0	Prime + Parallel Group 1-4 in NGC4189_BB (03)	348 Secs (348 Secs) [==>]	[1]
	4	F814W-PA R_ORBIT1	ANY	ACS/WFC, ACCUM, WFC	F814W			Prime + Parallel Group 1-4 in NGC4189_BB (03)	700 Secs (700 Secs) [==>]	[1]
	5	F275W_OR BIT1	(3) NGC4189	WFC3/UVIS, ACCUM, UVIS-FIX	F275W	FLASH=20	POS TARG 0,0	Prime + Parallel Group 5-7 in NGC4189_BB (03)	695 Secs (695 Secs) [==>]	[1]
	6	F555W_OR BIT1	(3) NGC4189	WFC3/UVIS, ACCUM, UVIS-FIX	F555W	FLASH=15	POS TARG 0,0	Prime + Parallel Group 5-7 in NGC4189_BB (03)	204 Secs (204 Secs) [==>]	[1]
	7	F606W-PA R_ORBIT1	ANY	ACS/WFC, ACCUM, WFC	F606W			Prime + Parallel Group 5-7 in NGC4189_BB (03)	700 Secs (700 Secs) [==>]	[1]
	8	F814W_OR BIT2	(3) NGC4189	WFC3/UVIS, ACCUM, UVIS-FIX	F814W	FLASH=15	POS TARG 0.172,1.803	Prime + Parallel Group 8-11 in NGC4189_BB (03)	260 Secs (260 Secs) [==>]	[2]
	9	F438W_OR BIT2	(3) NGC4189	WFC3/UVIS, ACCUM, UVIS-FIX	F438W	FLASH=17	POS TARG 0.172,1.803	Prime + Parallel Group 8-11 in NGC4189_BB (03)	348 Secs (348 Secs) [==>]	[2]
	10	F336W_OR BIT2	(3) NGC4189	WFC3/UVIS, ACCUM, UVIS-FIX	F336W	FLASH=20	POS TARG 0.172,1.803	Prime + Parallel Group 8-11 in NGC4189_BB (03)	300 Secs (300 Secs) [==>]	[2]
	11	F606W-PA R_ORBIT2	ANY	ACS/WFC, ACCUM, WFC	F606W			Prime + Parallel Group 8-11 in NGC4189_BB (03)	900 Secs (900 Secs) [==>]	[2]
	12	F275W_OR BIT2	(3) NGC4189	WFC3/UVIS, ACCUM, UVIS-FIX	F275W	FLASH=20	POS TARG 0.172,1.803	Prime + Parallel Group 12-14 in NGC4189_BB (03)	668 Secs (668 Secs) [==>]	[2]
	13	F555W_OR BIT2	(3) NGC4189	WFC3/UVIS, ACCUM, UVIS-FIX	F555W	FLASH=15	POS TARG 0.172,1.803	Prime + Parallel Group 12-14 in NGC4189_BB (03)	212 Secs (212 Secs) [==>]	[2]
	14	F814W-PA R_ORBIT2	ANY	ACS/WFC, ACCUM, WFC	F814W			Prime + Parallel Group 12-14 in NGC4189_BB (03)	700 Secs (700 Secs) [==>]	[2]
	15	F814W_OR BIT3	(3) NGC4189	WFC3/UVIS, ACCUM, UVIS-FIX	F814W	FLASH=15	POS TARG 0.343,3.606	Prime + Parallel Group 15-18 in NGC4189_BB (03)	227 Secs (227 Secs) [==>]	[3]
	16	F438W_OR BIT3	(3) NGC4189	WFC3/UVIS, ACCUM, UVIS-FIX	F438W	FLASH=17	POS TARG 0.343,3.606	Prime + Parallel Group 15-18 in NGC4189_BB (03)	348 Secs (348 Secs) [==>]	[3]
	17	F336W_OR BIT3	(3) NGC4189	WFC3/UVIS, ACCUM, UVIS-FIX	F336W	FLASH=20	POS TARG 0.343,3.606	Prime + Parallel Group 15-18 in NGC4189_BB (03)	348 Secs (348 Secs) [==>]	[3]
18	F814W-PA R_ORBIT3	ANY	ACS/WFC, ACCUM, WFC	F814W			Prime + Parallel Group 15-18 in NGC4189_BB (03)	900 Secs (900 Secs) [==>]	[3]	

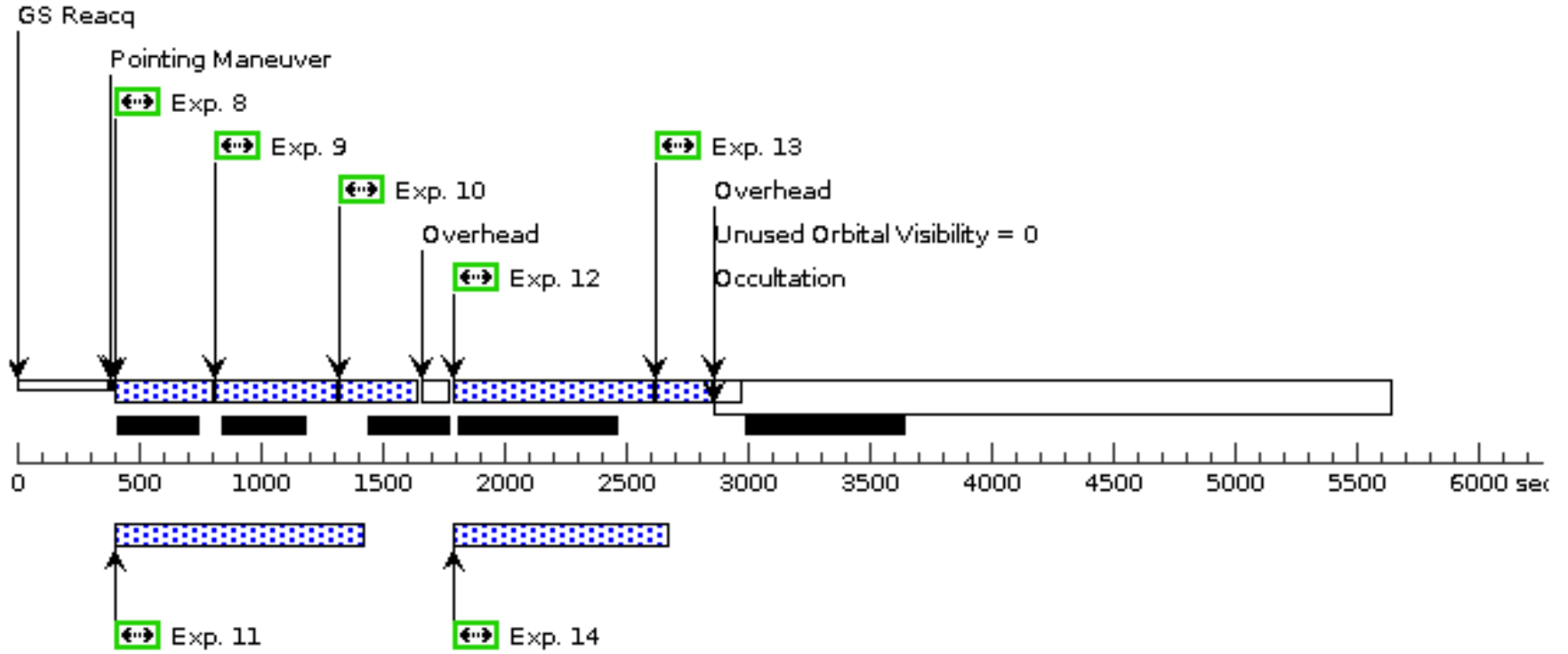
Proposal 18103 - NGC4189 BB (03) - Anatomy of a fall: Dissecting the environment-driven transformation of late-type Virgo cluster ga...

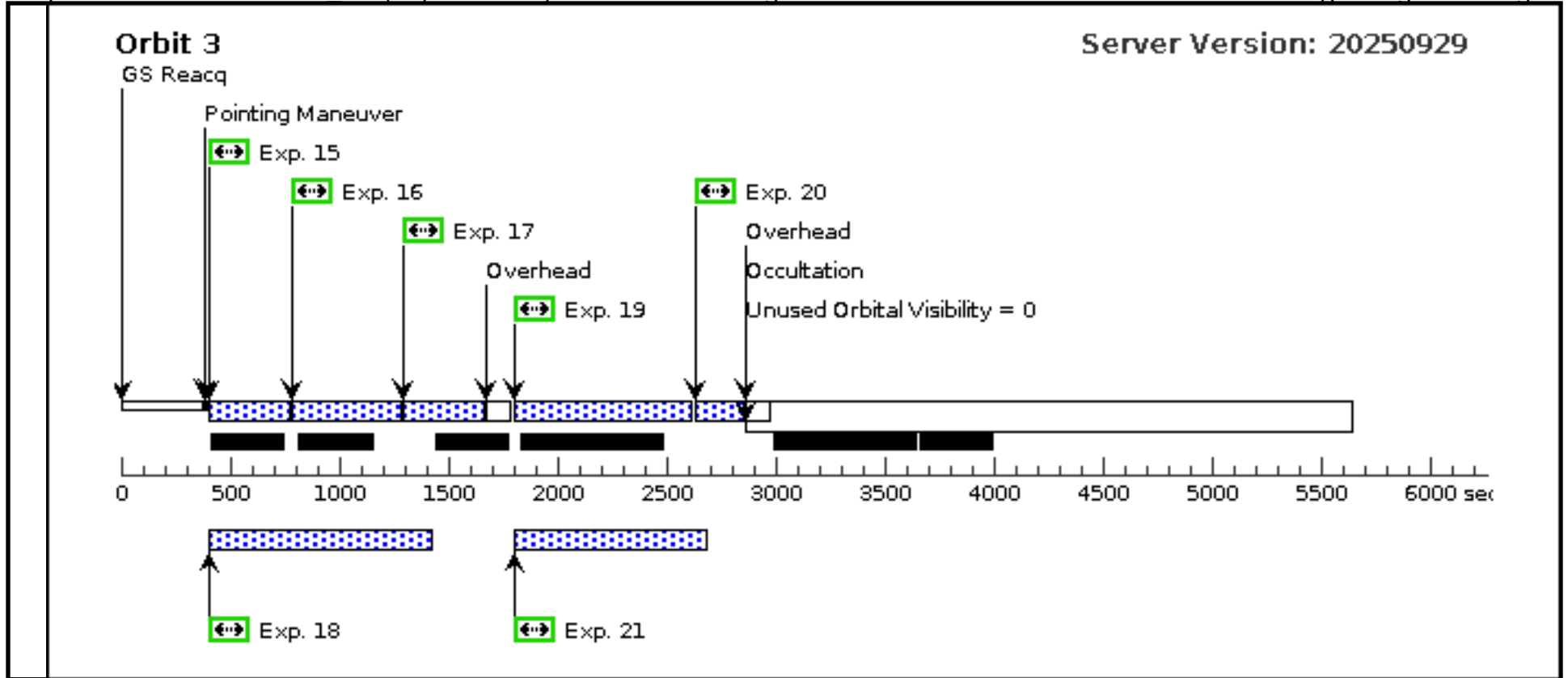
19	F275W_OR BIT3	(3) NGC4189	WFC3/UVIS, ACCUM, UVIS-FIX	F275W	FLASH=20	POS TARG 0.343,3. 606	Prime + Parallel Gro up 19-21 in NGC418 9_BB (03)	665 Secs (665 Secs) [==>]	[3]
20	F555W_OR BIT3	(3) NGC4189	WFC3/UVIS, ACCUM, UVIS-FIX	F555W	FLASH=15	POS TARG 0.343,3. 606	Prime + Parallel Gro up 19-21 in NGC418 9_BB (03)	200 Secs (200 Secs) [==>]	[3]
21	F606W-PA R_ORBIT3	ANY	ACS/WFC, ACCUM, WFC	F606W			Prime + Parallel Gro up 19-21 in NGC418 9_BB (03)	700 Secs (700 Secs) [==>]	[3]



Orbit 2

Server Version: 20250929





Proposal 18103 - NGC4192-N_BB (04) - Anatomy of a fall: Dissecting the environment-driven transformation of late-type Virgo cluster ...

Wed Feb 04 15:01:57 GMT 2026

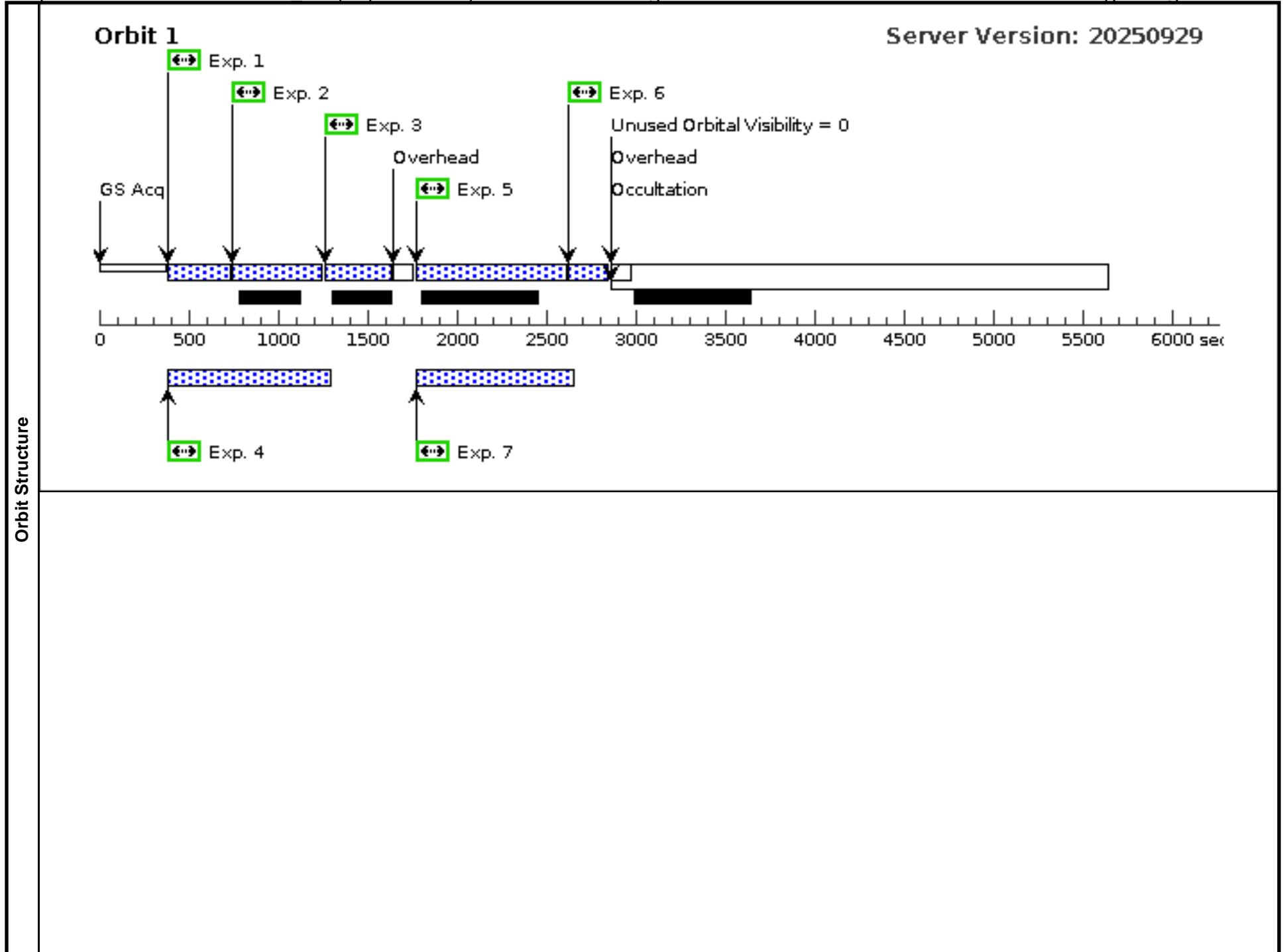
Visit	Proposal 18103, NGC4192-N_BB (04), scheduling Diagnostic Status: Informational Scientific Instruments: WFC3/UVIS, ACS/WFC Special Requirements: SCHED 100%; SAME ORIENT AS 05; GROUP 04,05,06,41,42,43 WITHIN 30D <i>Comments: NUBVIHa</i>					
	(NGC4192-N_BB (04)) Informational (Form): The Visit Planner and Spike may produce different schedulability results.					
Fixed Targets	#	Name	Target Coordinates	Targ. Coord. Corrections	Fluxes	Miscellaneous
	(4)	NGC4192-N	RA: 12 13 43.6924 (183.4320517d) Dec: +14 56 8.96 (14.93582d) Equinox: J2000		V=11	Reference Frame: ICRS
<i>Comments:</i> Category=GALAXY Description=[SPIRAL]						

Proposal 18103 - NGC4192-N_BB (04) - Anatomy of a fall: Dissecting the environment-driven transformation of late-type Virgo cluster ...

Exposures	#	Label	Target	Config,Mode,Aperture	Spectral Els.	Opt. Params.	Special Reqs.	Groups	Exp. Time (Total)/[Actual Dur.]	Orbit
	1	F814W_OR BIT1	(4) NGC4192-N	WFC3/UVIS, ACCUM, UVIS-FIX	F814W	FLASH=15	POS TARG 0,0	Prime + Parallel Group 1-4 in NGC4192-N_BB (04)	200 Secs (200 Secs) [==>]	[1]
	2	F438W_OR BIT1	(4) NGC4192-N	WFC3/UVIS, ACCUM, UVIS-FIX	F438W	FLASH=17	POS TARG 0,0	Prime + Parallel Group 1-4 in NGC4192-N_BB (04)	348 Secs (348 Secs) [==>]	[1]
	3	F336W_OR BIT1	(4) NGC4192-N	WFC3/UVIS, ACCUM, UVIS-FIX	F336W	FLASH=20	POS TARG 0,0	Prime + Parallel Group 1-4 in NGC4192-N_BB (04)	348 Secs (348 Secs) [==>]	[1]
	4	F814W-PA R_ORBIT1	ANY	ACS/WFC, ACCUM, WFC	F814W			Prime + Parallel Group 1-4 in NGC4192-N_BB (04)	700 Secs (700 Secs) [==>]	[1]
	5	F275W_OR BIT1	(4) NGC4192-N	WFC3/UVIS, ACCUM, UVIS-FIX	F275W	FLASH=20	POS TARG 0,0	Prime + Parallel Group 5-7 in NGC4192-N_BB (04)	695 Secs (695 Secs) [==>]	[1]
	6	F555W_OR BIT1	(4) NGC4192-N	WFC3/UVIS, ACCUM, UVIS-FIX	F555W	FLASH=15	POS TARG 0,0	Prime + Parallel Group 5-7 in NGC4192-N_BB (04)	204 Secs (204 Secs) [==>]	[1]
	7	F606W-PA R_ORBIT1	ANY	ACS/WFC, ACCUM, WFC	F606W			Prime + Parallel Group 5-7 in NGC4192-N_BB (04)	700 Secs (700 Secs) [==>]	[1]
	8	F814W_OR BIT2	(4) NGC4192-N	WFC3/UVIS, ACCUM, UVIS-FIX	F814W	FLASH=15	POS TARG 0.172,1.803	Prime + Parallel Group 8-11 in NGC4192-N_BB (04)	260 Secs (260 Secs) [==>]	[2]
	9	F438W_OR BIT2	(4) NGC4192-N	WFC3/UVIS, ACCUM, UVIS-FIX	F438W	FLASH=17	POS TARG 0.172,1.803	Prime + Parallel Group 8-11 in NGC4192-N_BB (04)	348 Secs (348 Secs) [==>]	[2]
	10	F336W_OR BIT2	(4) NGC4192-N	WFC3/UVIS, ACCUM, UVIS-FIX	F336W	FLASH=20	POS TARG 0.172,1.803	Prime + Parallel Group 8-11 in NGC4192-N_BB (04)	300 Secs (300 Secs) [==>]	[2]
	11	F606W-PA R_ORBIT2	ANY	ACS/WFC, ACCUM, WFC	F606W			Prime + Parallel Group 8-11 in NGC4192-N_BB (04)	900 Secs (900 Secs) [==>]	[2]
	12	F275W_OR BIT2	(4) NGC4192-N	WFC3/UVIS, ACCUM, UVIS-FIX	F275W	FLASH=20	POS TARG 0.172,1.803	Prime + Parallel Group 12-14 in NGC4192-N_BB (04)	668 Secs (668 Secs) [==>]	[2]
	13	F555W_OR BIT2	(4) NGC4192-N	WFC3/UVIS, ACCUM, UVIS-FIX	F555W	FLASH=15	POS TARG 0.172,1.803	Prime + Parallel Group 12-14 in NGC4192-N_BB (04)	212 Secs (212 Secs) [==>]	[2]
	14	F814W-PA R_ORBIT2	ANY	ACS/WFC, ACCUM, WFC	F814W			Prime + Parallel Group 12-14 in NGC4192-N_BB (04)	700 Secs (700 Secs) [==>]	[2]
	15	F814W_OR BIT3	(4) NGC4192-N	WFC3/UVIS, ACCUM, UVIS-FIX	F814W	FLASH=15	POS TARG 0.343,3.606	Prime + Parallel Group 15-18 in NGC4192-N_BB (04)	227 Secs (227 Secs) [==>]	[3]
	16	F438W_OR BIT3	(4) NGC4192-N	WFC3/UVIS, ACCUM, UVIS-FIX	F438W	FLASH=17	POS TARG 0.343,3.606	Prime + Parallel Group 15-18 in NGC4192-N_BB (04)	348 Secs (348 Secs) [==>]	[3]
	17	F336W_OR BIT3	(4) NGC4192-N	WFC3/UVIS, ACCUM, UVIS-FIX	F336W	FLASH=20	POS TARG 0.343,3.606	Prime + Parallel Group 15-18 in NGC4192-N_BB (04)	348 Secs (348 Secs) [==>]	[3]
18	F814W-PA R_ORBIT3	ANY	ACS/WFC, ACCUM, WFC	F814W			Prime + Parallel Group 15-18 in NGC4192-N_BB (04)	900 Secs (900 Secs) [==>]	[3]	

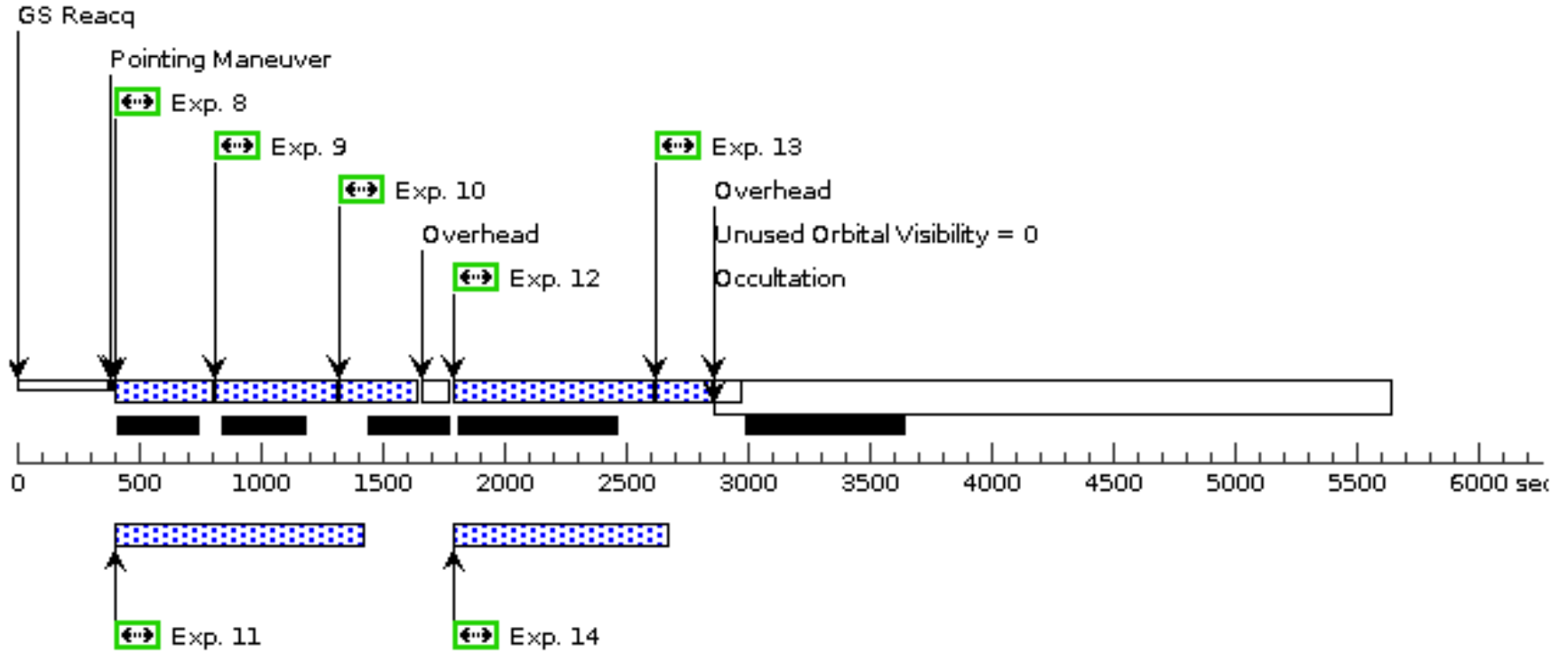
Proposal 18103 - NGC4192-N BB (04) - Anatomy of a fall: Dissecting the environment-driven transformation of late-type Virgo cluster ...

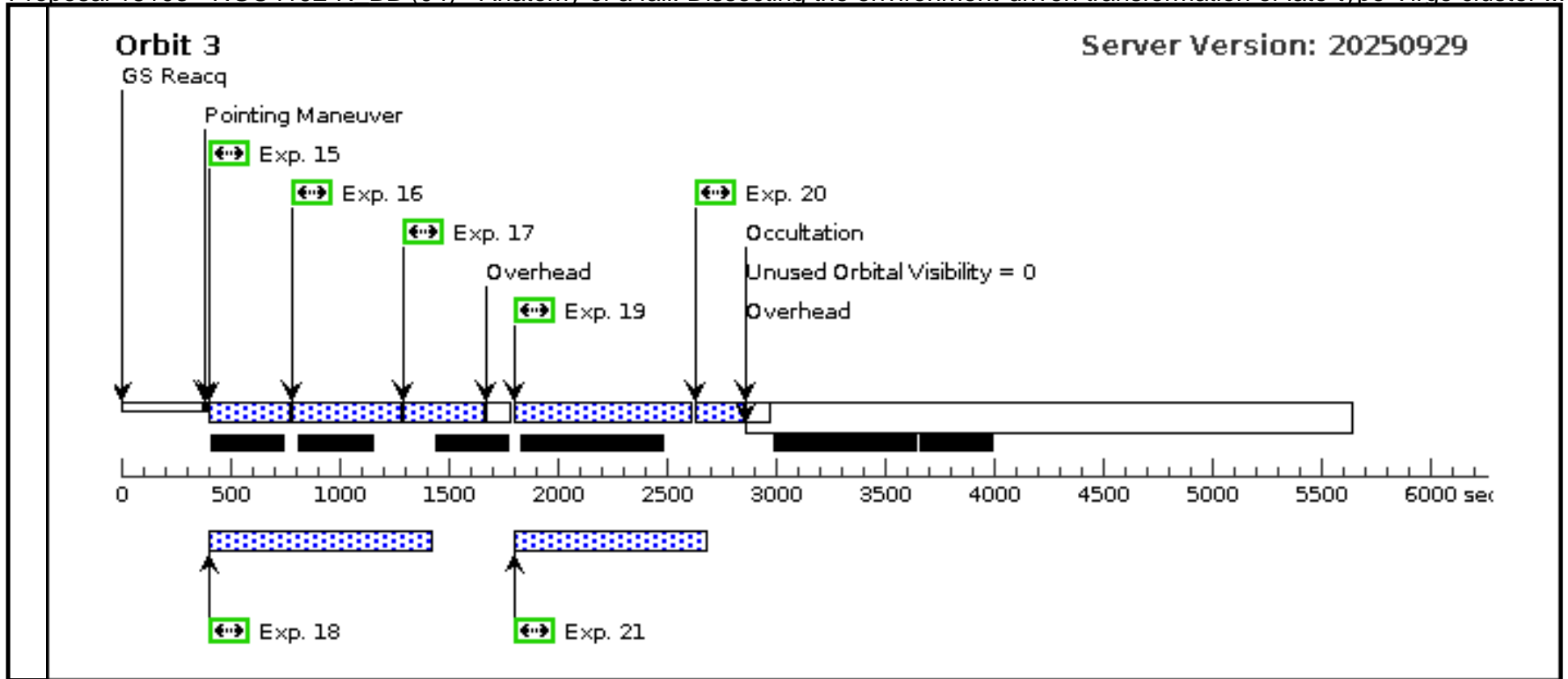
19	F275W_OR BIT3	(4) NGC4192-N	WFC3/UVIS, ACCUM, UVIS-FIX	F275W	FLASH=20	POS TARG 0.343,3. 606	Prime + Parallel Gro up 19-21 in NGC419 2-N_BB (04)	665 Secs (665 Secs) [==>]	[3]
20	F555W_OR BIT3	(4) NGC4192-N	WFC3/UVIS, ACCUM, UVIS-FIX	F555W	FLASH=15	POS TARG 0.343,3. 606	Prime + Parallel Gro up 19-21 in NGC419 2-N_BB (04)	200 Secs (200 Secs) [==>]	[3]
21	F606W-PA R_ORBIT3	ANY	ACS/WFC, ACCUM, WFC	F606W			Prime + Parallel Gro up 19-21 in NGC419 2-N_BB (04)	700 Secs (700 Secs) [==>]	[3]



Orbit 2

Server Version: 20250929





Proposal 18103 - NGC4192-C_BB (05) - Anatomy of a fall: Dissecting the environment-driven transformation of late-type Virgo cluster ...

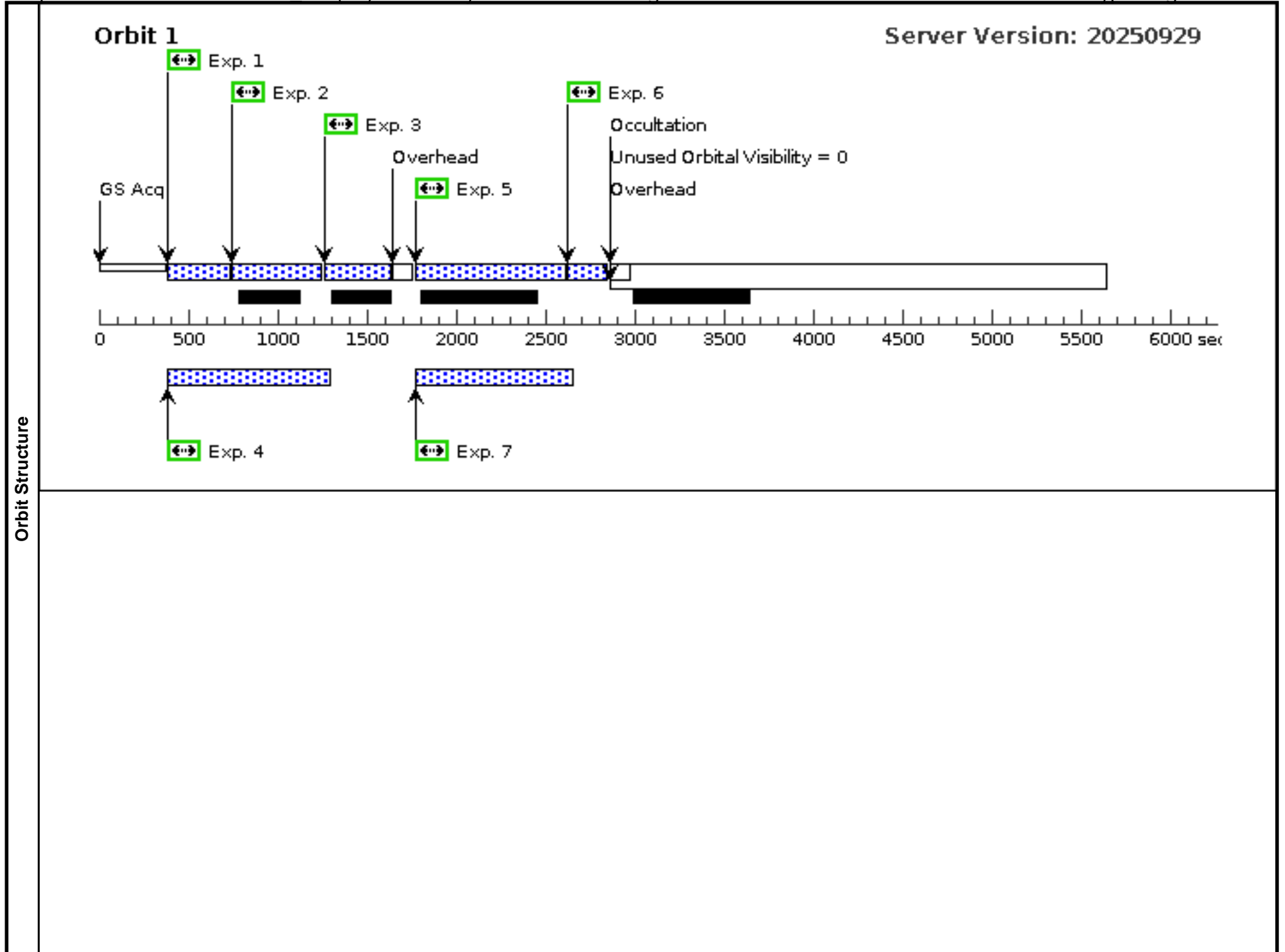
Visit	Proposal 18103, NGC4192-C_BB (05), scheduling Wed Feb 04 15:01:57 GMT 2026 Diagnostic Status: No Diagnostics Scientific Instruments: WFC3/UVIS, ACS/WFC Special Requirements: SCHED 100%; ORIENT 282D TO 288 D <i>Comments: NUBVIHa</i>					
	Fixed Targets	#	Name	Target Coordinates	Targ. Coord. Corrections	Fluxes
(5)		NGC4192-C	RA: 12 13 49.2563 (183.4552346d) Dec: +14 53 44.06 (14.89557d) Equinox: J2000		V=11	Reference Frame: ICRS
	<i>Comments:</i> Category=GALAXY Description=[SPIRAL]					

Proposal 18103 - NGC4192-C_BB (05) - Anatomy of a fall: Dissecting the environment-driven transformation of late-type Virgo cluster ...

#	Label	Target	Config,Mode,Aperture	Spectral Els.	Opt. Params.	Special Reqs.	Groups	Exp. Time (Total)/[Actual Dur.]	Orbit	
Exposures	1	F814W_OR BIT1	(5) NGC4192-C	WFC3/UVIS, ACCUM, UVIS-FIX	F814W	FLASH=15	POS TARG 0,0	Prime + Parallel Group 1-4 in NGC4192-C_BB (05)	200 Secs (200 Secs) [==>]	[1]
	2	F438W_OR BIT1	(5) NGC4192-C	WFC3/UVIS, ACCUM, UVIS-FIX	F438W	FLASH=17	POS TARG 0,0	Prime + Parallel Group 1-4 in NGC4192-C_BB (05)	348 Secs (348 Secs) [==>]	[1]
	3	F336W_OR BIT1	(5) NGC4192-C	WFC3/UVIS, ACCUM, UVIS-FIX	F336W	FLASH=20	POS TARG 0,0	Prime + Parallel Group 1-4 in NGC4192-C_BB (05)	348 Secs (348 Secs) [==>]	[1]
	4	F814W-PA R_ORBIT1	ANY	ACS/WFC, ACCUM, WFC	F814W			Prime + Parallel Group 1-4 in NGC4192-C_BB (05)	700 Secs (700 Secs) [==>]	[1]
	5	F275W_OR BIT1	(5) NGC4192-C	WFC3/UVIS, ACCUM, UVIS-FIX	F275W	FLASH=20	POS TARG 0,0	Prime + Parallel Group 5-7 in NGC4192-C_BB (05)	695 Secs (695 Secs) [==>]	[1]
	6	F555W_OR BIT1	(5) NGC4192-C	WFC3/UVIS, ACCUM, UVIS-FIX	F555W	FLASH=15	POS TARG 0,0	Prime + Parallel Group 5-7 in NGC4192-C_BB (05)	204 Secs (204 Secs) [==>]	[1]
	7	F606W-PA R_ORBIT1	ANY	ACS/WFC, ACCUM, WFC	F606W			Prime + Parallel Group 5-7 in NGC4192-C_BB (05)	700 Secs (700 Secs) [==>]	[1]
	8	F814W_OR BIT2	(5) NGC4192-C	WFC3/UVIS, ACCUM, UVIS-FIX	F814W	FLASH=15	POS TARG 0.172,1.803	Prime + Parallel Group 8-11 in NGC4192-C_BB (05)	260 Secs (260 Secs) [==>]	[2]
	9	F438W_OR BIT2	(5) NGC4192-C	WFC3/UVIS, ACCUM, UVIS-FIX	F438W	FLASH=17	POS TARG 0.172,1.803	Prime + Parallel Group 8-11 in NGC4192-C_BB (05)	348 Secs (348 Secs) [==>]	[2]
	10	F336W_OR BIT2	(5) NGC4192-C	WFC3/UVIS, ACCUM, UVIS-FIX	F336W	FLASH=20	POS TARG 0.172,1.803	Prime + Parallel Group 8-11 in NGC4192-C_BB (05)	300 Secs (300 Secs) [==>]	[2]
	11	F606W-PA R_ORBIT2	ANY	ACS/WFC, ACCUM, WFC	F606W			Prime + Parallel Group 8-11 in NGC4192-C_BB (05)	900 Secs (900 Secs) [==>]	[2]
	12	F275W_OR BIT2	(5) NGC4192-C	WFC3/UVIS, ACCUM, UVIS-FIX	F275W	FLASH=20	POS TARG 0.172,1.803	Prime + Parallel Group 12-14 in NGC4192-C_BB (05)	668 Secs (668 Secs) [==>]	[2]
	13	F555W_OR BIT2	(5) NGC4192-C	WFC3/UVIS, ACCUM, UVIS-FIX	F555W	FLASH=15	POS TARG 0.172,1.803	Prime + Parallel Group 12-14 in NGC4192-C_BB (05)	212 Secs (212 Secs) [==>]	[2]
	14	F814W-PA R_ORBIT2	ANY	ACS/WFC, ACCUM, WFC	F814W			Prime + Parallel Group 12-14 in NGC4192-C_BB (05)	700 Secs (700 Secs) [==>]	[2]
	15	F814W_OR BIT3	(5) NGC4192-C	WFC3/UVIS, ACCUM, UVIS-FIX	F814W	FLASH=15	POS TARG 0.343,3.606	Prime + Parallel Group 15-18 in NGC4192-C_BB (05)	227 Secs (227 Secs) [==>]	[3]
	16	F438W_OR BIT3	(5) NGC4192-C	WFC3/UVIS, ACCUM, UVIS-FIX	F438W	FLASH=17	POS TARG 0.343,3.606	Prime + Parallel Group 15-18 in NGC4192-C_BB (05)	348 Secs (348 Secs) [==>]	[3]
	17	F336W_OR BIT3	(5) NGC4192-C	WFC3/UVIS, ACCUM, UVIS-FIX	F336W	FLASH=20	POS TARG 0.343,3.606	Prime + Parallel Group 15-18 in NGC4192-C_BB (05)	348 Secs (348 Secs) [==>]	[3]
	18	F814W-PA R_ORBIT3	ANY	ACS/WFC, ACCUM, WFC	F814W			Prime + Parallel Group 15-18 in NGC4192-C_BB (05)	900 Secs (900 Secs) [==>]	[3]

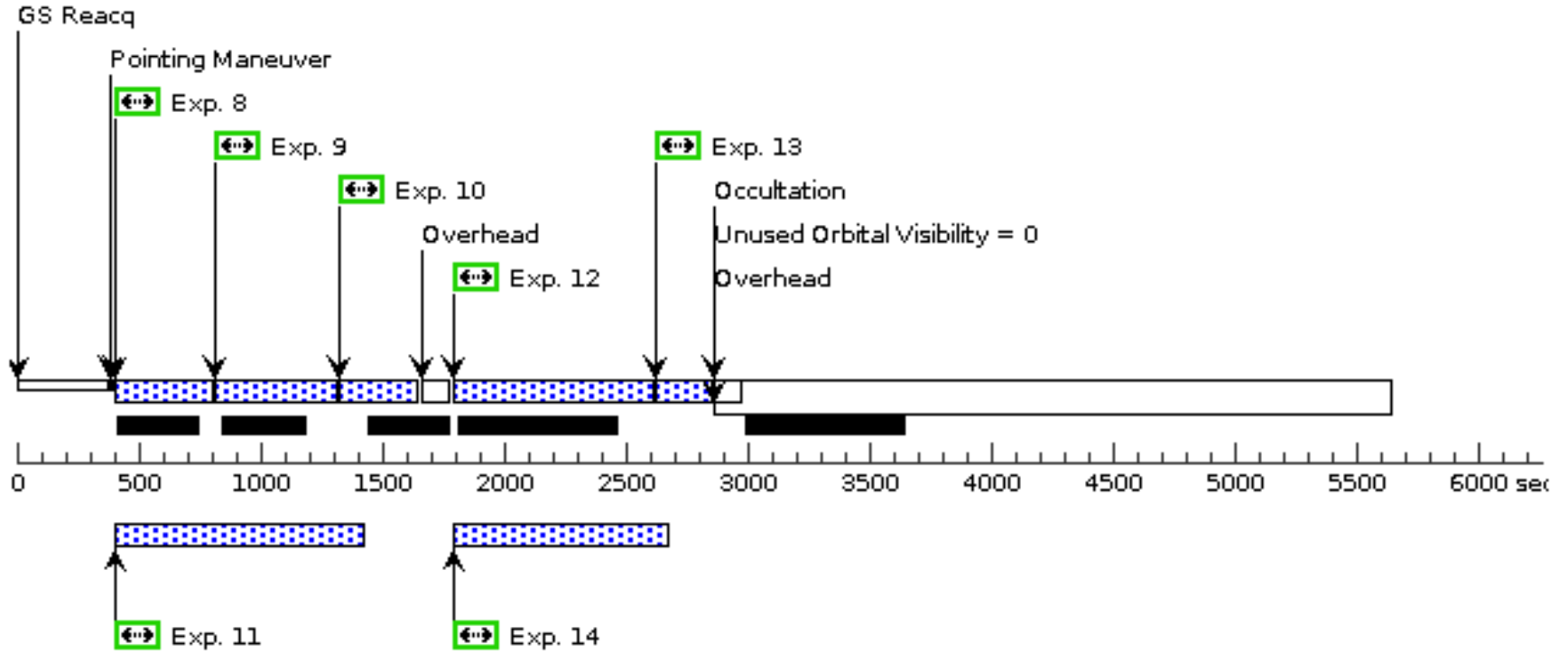
Proposal 18103 - NGC4192-C BB (05) - Anatomy of a fall: Dissecting the environment-driven transformation of late-type Virgo cluster ...

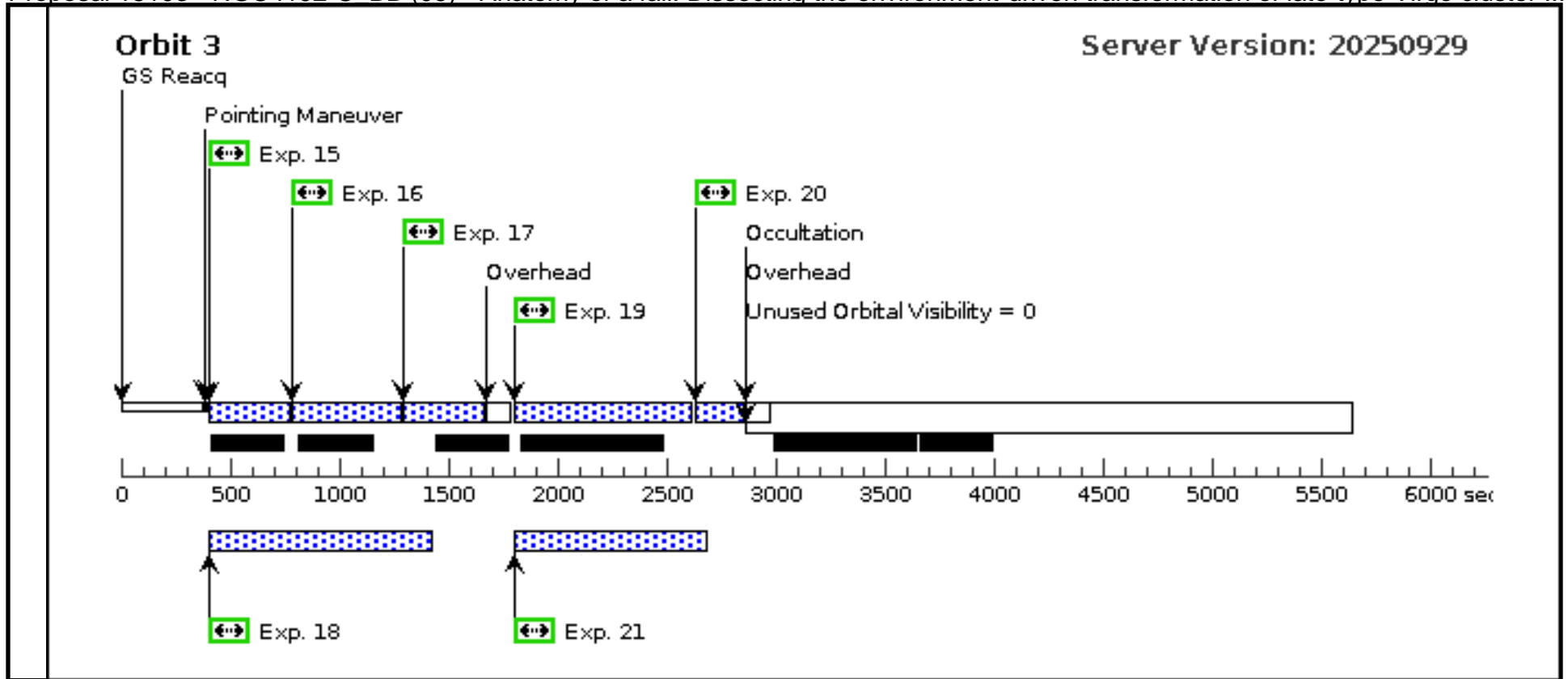
19	F275W_OR BIT3	(5) NGC4192-C	WFC3/UVIS, ACCUM, UVIS-FIX	F275W	FLASH=20	POS TARG 0.343,3.606	Prime + Parallel Group 19-21 in NGC4192-C_BB (05)	665 Secs (665 Secs) [==>]	[3]
20	F555W_OR BIT3	(5) NGC4192-C	WFC3/UVIS, ACCUM, UVIS-FIX	F555W	FLASH=15	POS TARG 0.343,3.606	Prime + Parallel Group 19-21 in NGC4192-C_BB (05)	200 Secs (200 Secs) [==>]	[3]
21	F606W-PA R_ORBIT3	ANY	ACS/WFC, ACCUM, WFC	F606W			Prime + Parallel Group 19-21 in NGC4192-C_BB (05)	700 Secs (700 Secs) [==>]	[3]



Orbit 2

Server Version: 20250929





Proposal 18103 - NGC4192-S_BB (06) - Anatomy of a fall: Dissecting the environment-driven transformation of late-type Virgo cluster ...

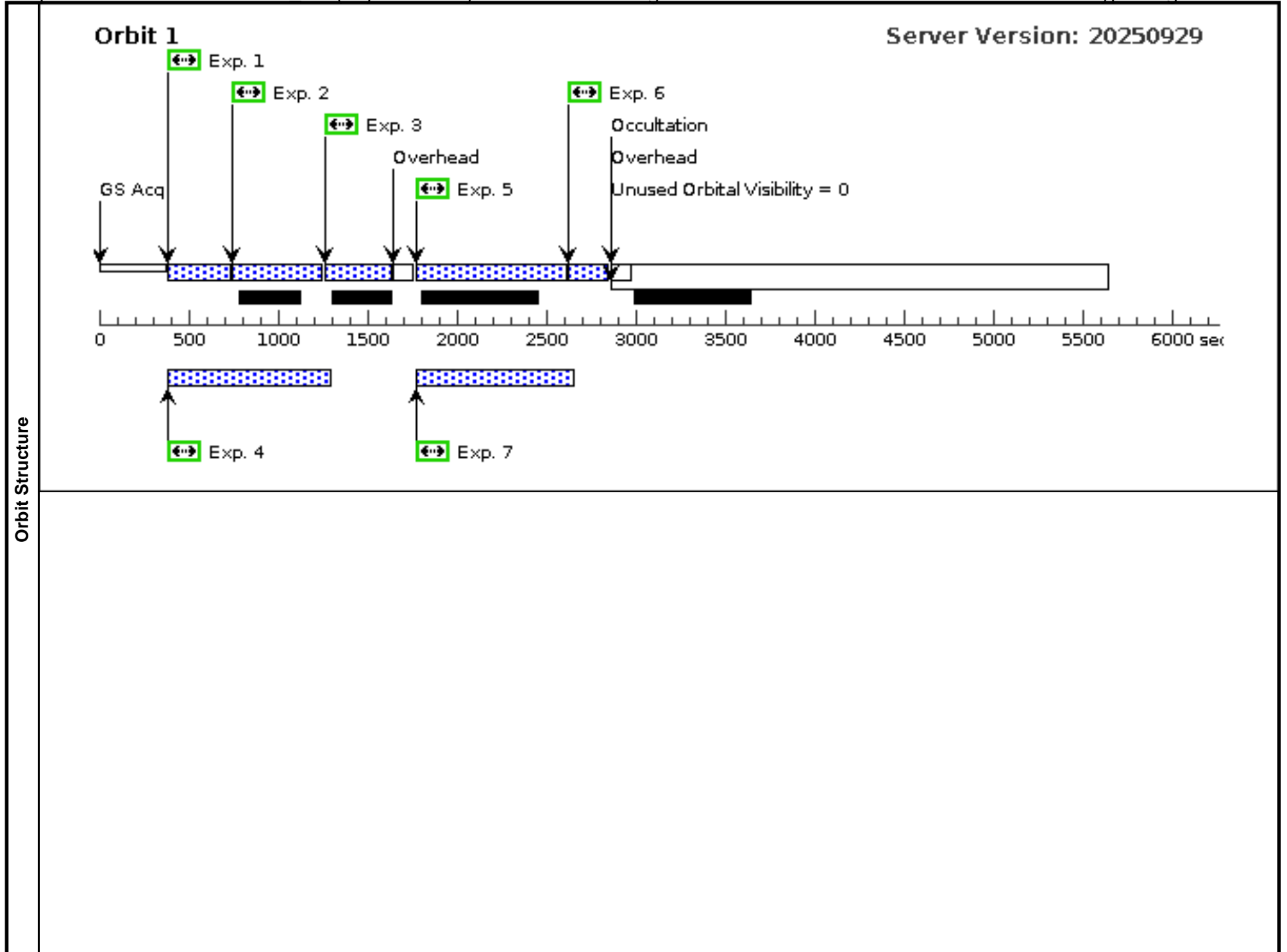
Visit	Proposal 18103, NGC4192-S_BB (06), scheduling Wed Feb 04 15:01:57 GMT 2026 Diagnostic Status: No Diagnostics Scientific Instruments: WFC3/UVIS, ACS/WFC Special Requirements: SCHED 100%; SAME ORIENT AS 05 <i>Comments: NUBVIHa</i>					
	Fixed Targets	#	Name	Target Coordinates	Targ. Coord. Corrections	Fluxes
(6)		NGC4192-S	RA: 12 13 53.5950 (183.4733125d) Dec: +14 51 23.68 (14.85658d) Equinox: J2000		V=11	Reference Frame: ICRS
	<i>Comments:</i> Category= <i>GALAXY</i> Description= <i>[SPIRAL]</i>					

Proposal 18103 - NGC4192-S_BB (06) - Anatomy of a fall: Dissecting the environment-driven transformation of late-type Virgo cluster ...

Exposures	#	Label	Target	Config,Mode,Aperture	Spectral Els.	Opt. Params.	Special Reqs.	Groups	Exp. Time (Total)/[Actual Dur.]	Orbit
	1	F814W_OR BIT1	(6) NGC4192-S	WFC3/UVIS, ACCUM, UVIS-FIX	F814W	FLASH=15	POS TARG 0,0	Prime + Parallel Gro up 1-4 in NGC4192- S_BB (06)	200 Secs (200 Secs) [==>]	[1]
	2	F438W_OR BIT1	(6) NGC4192-S	WFC3/UVIS, ACCUM, UVIS-FIX	F438W	FLASH=17	POS TARG 0,0	Prime + Parallel Gro up 1-4 in NGC4192- S_BB (06)	348 Secs (348 Secs) [==>]	[1]
	3	F336W_OR BIT1	(6) NGC4192-S	WFC3/UVIS, ACCUM, UVIS-FIX	F336W	FLASH=20	POS TARG 0,0	Prime + Parallel Gro up 1-4 in NGC4192- S_BB (06)	348 Secs (348 Secs) [==>]	[1]
	4	F814W-PA R_ORBIT1	ANY	ACS/WFC, ACCUM, WFC	F814W			Prime + Parallel Gro up 1-4 in NGC4192- S_BB (06)	700 Secs (700 Secs) [==>]	[1]
	5	F275W_OR BIT1	(6) NGC4192-S	WFC3/UVIS, ACCUM, UVIS-FIX	F275W	FLASH=20	POS TARG 0,0	Prime + Parallel Gro up 5-7 in NGC4192- S_BB (06)	695 Secs (695 Secs) [==>]	[1]
	6	F555W_OR BIT1	(6) NGC4192-S	WFC3/UVIS, ACCUM, UVIS-FIX	F555W	FLASH=15	POS TARG 0,0	Prime + Parallel Gro up 5-7 in NGC4192- S_BB (06)	204 Secs (204 Secs) [==>]	[1]
	7	F606W-PA R_ORBIT1	ANY	ACS/WFC, ACCUM, WFC	F606W			Prime + Parallel Gro up 5-7 in NGC4192- S_BB (06)	700 Secs (700 Secs) [==>]	[1]
	8	F814W_OR BIT2	(6) NGC4192-S	WFC3/UVIS, ACCUM, UVIS-FIX	F814W	FLASH=15	POS TARG 0.172,1. 803	Prime + Parallel Gro up 8-11 in NGC4192- S_BB (06)	260 Secs (260 Secs) [==>]	[2]
	9	F438W_OR BIT2	(6) NGC4192-S	WFC3/UVIS, ACCUM, UVIS-FIX	F438W	FLASH=17	POS TARG 0.172,1. 803	Prime + Parallel Gro up 8-11 in NGC4192- S_BB (06)	348 Secs (348 Secs) [==>]	[2]
	10	F336W_OR BIT2	(6) NGC4192-S	WFC3/UVIS, ACCUM, UVIS-FIX	F336W	FLASH=20	POS TARG 0.172,1. 803	Prime + Parallel Gro up 8-11 in NGC4192- S_BB (06)	300 Secs (300 Secs) [==>]	[2]
	11	F606W-PA R_ORBIT2	ANY	ACS/WFC, ACCUM, WFC	F606W			Prime + Parallel Gro up 8-11 in NGC4192- S_BB (06)	900 Secs (900 Secs) [==>]	[2]
	12	F275W_OR BIT2	(6) NGC4192-S	WFC3/UVIS, ACCUM, UVIS-FIX	F275W	FLASH=20	POS TARG 0.172,1. 803	Prime + Parallel Gro up 12-14 in NGC419 2-S_BB (06)	668 Secs (668 Secs) [==>]	[2]
	13	F555W_OR BIT2	(6) NGC4192-S	WFC3/UVIS, ACCUM, UVIS-FIX	F555W	FLASH=15	POS TARG 0.172,1. 803	Prime + Parallel Gro up 12-14 in NGC419 2-S_BB (06)	212 Secs (212 Secs) [==>]	[2]
	14	F814W-PA R_ORBIT2	ANY	ACS/WFC, ACCUM, WFC	F814W			Prime + Parallel Gro up 12-14 in NGC419 2-S_BB (06)	700 Secs (700 Secs) [==>]	[2]
	15	F814W_OR BIT3	(6) NGC4192-S	WFC3/UVIS, ACCUM, UVIS-FIX	F814W	FLASH=15	POS TARG 0.343,3. 606	Prime + Parallel Gro up 15-18 in NGC419 2-S_BB (06)	227 Secs (227 Secs) [==>]	[3]
	16	F438W_OR BIT3	(6) NGC4192-S	WFC3/UVIS, ACCUM, UVIS-FIX	F438W	FLASH=17	POS TARG 0.343,3. 606	Prime + Parallel Gro up 15-18 in NGC419 2-S_BB (06)	348 Secs (348 Secs) [==>]	[3]
	17	F336W_OR BIT3	(6) NGC4192-S	WFC3/UVIS, ACCUM, UVIS-FIX	F336W	FLASH=20	POS TARG 0.343,3. 606	Prime + Parallel Gro up 15-18 in NGC419 2-S_BB (06)	348 Secs (348 Secs) [==>]	[3]
18	F814W-PA R_ORBIT3	ANY	ACS/WFC, ACCUM, WFC	F814W			Prime + Parallel Gro up 15-18 in NGC419 2-S_BB (06)	900 Secs (900 Secs) [==>]	[3]	

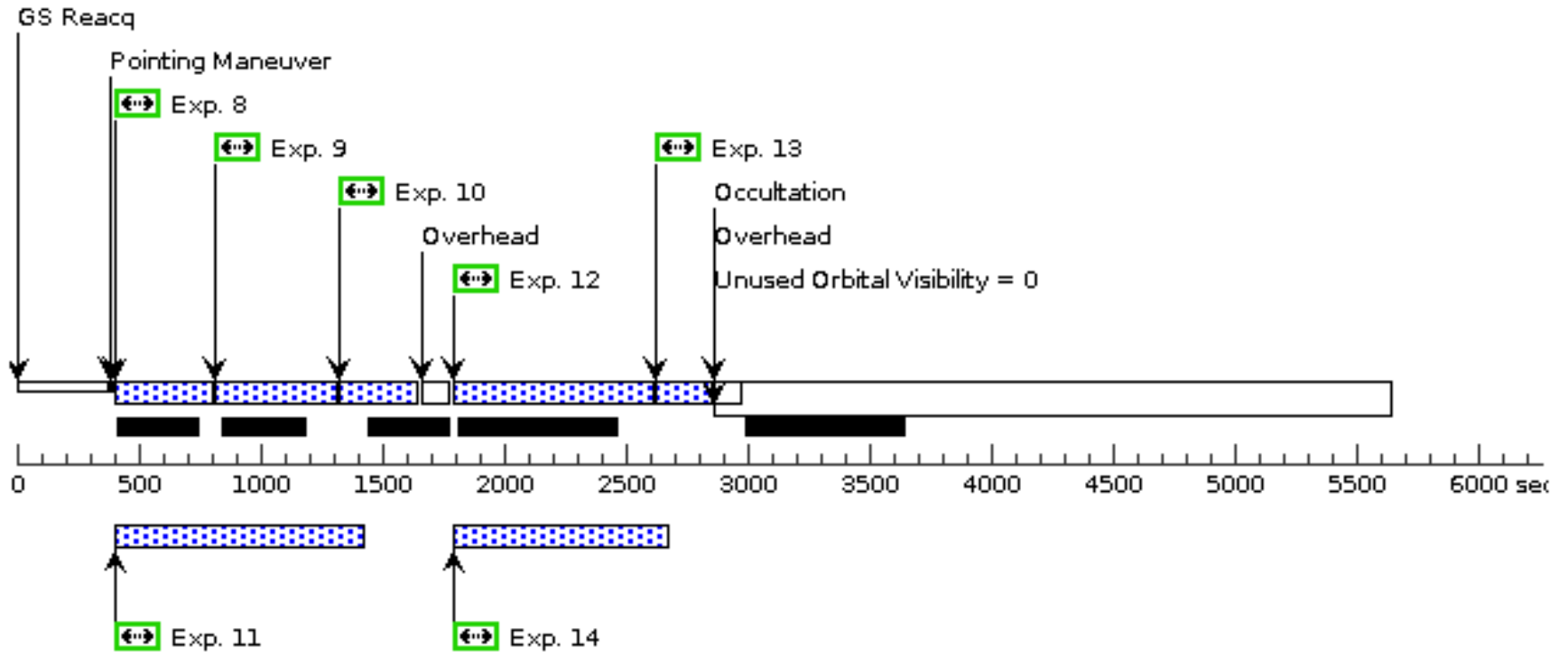
Proposal 18103 - NGC4192-S BB (06) - Anatomy of a fall: Dissecting the environment-driven transformation of late-type Virgo cluster ...

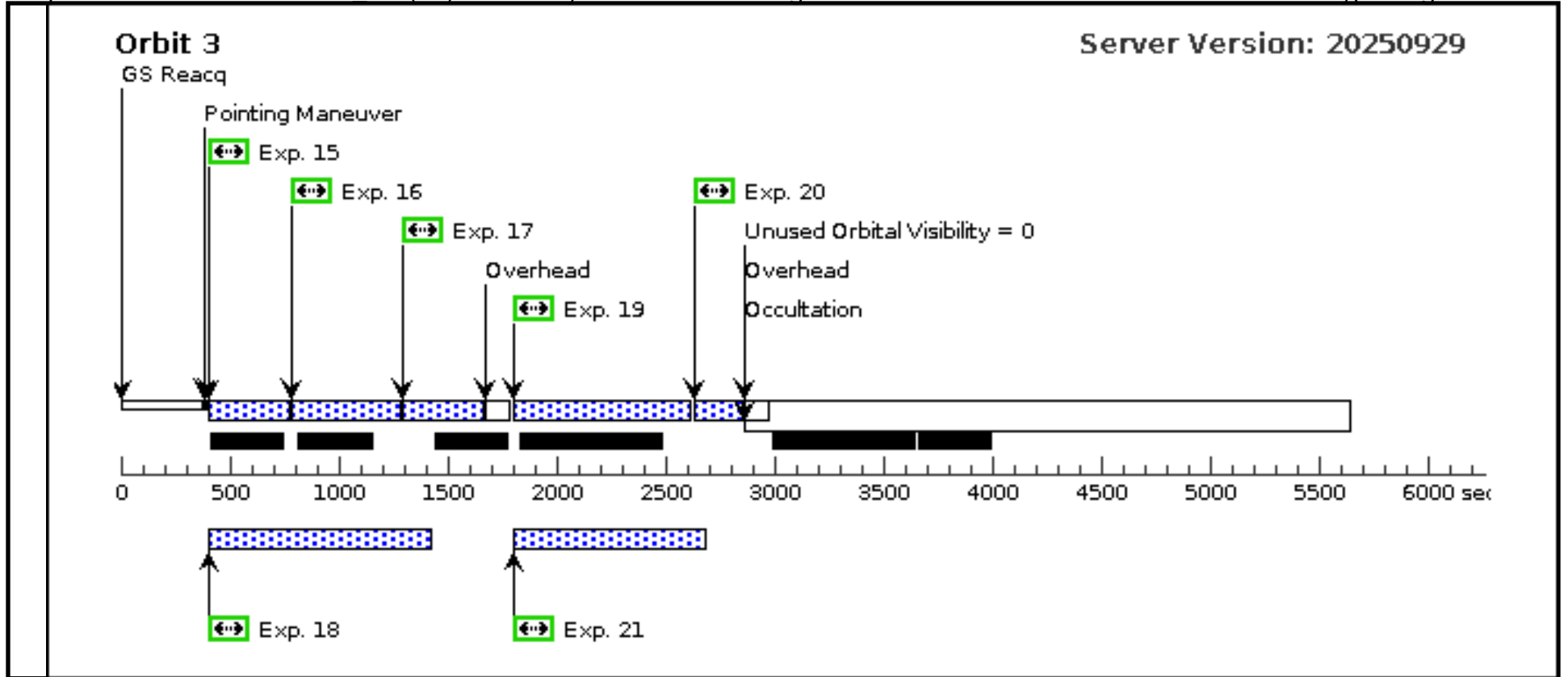
19	F275W_OR BIT3	(6) NGC4192-S	WFC3/UVIS, ACCUM, UVIS-FIX	F275W	FLASH=20	POS TARG 0.343,3. 606	Prime + Parallel Gro up 19-21 in NGC419 2-S_BB (06)	665 Secs (665 Secs) [==>]	[3]
20	F555W_OR BIT3	(6) NGC4192-S	WFC3/UVIS, ACCUM, UVIS-FIX	F555W	FLASH=15	POS TARG 0.343,3. 606	Prime + Parallel Gro up 19-21 in NGC419 2-S_BB (06)	200 Secs (200 Secs) [==>]	[3]
21	F606W-PA R_ORBIT3	ANY	ACS/WFC, ACCUM, WFC	F606W			Prime + Parallel Gro up 19-21 in NGC419 2-S_BB (06)	700 Secs (700 Secs) [==>]	[3]



Orbit 2

Server Version: 20250929





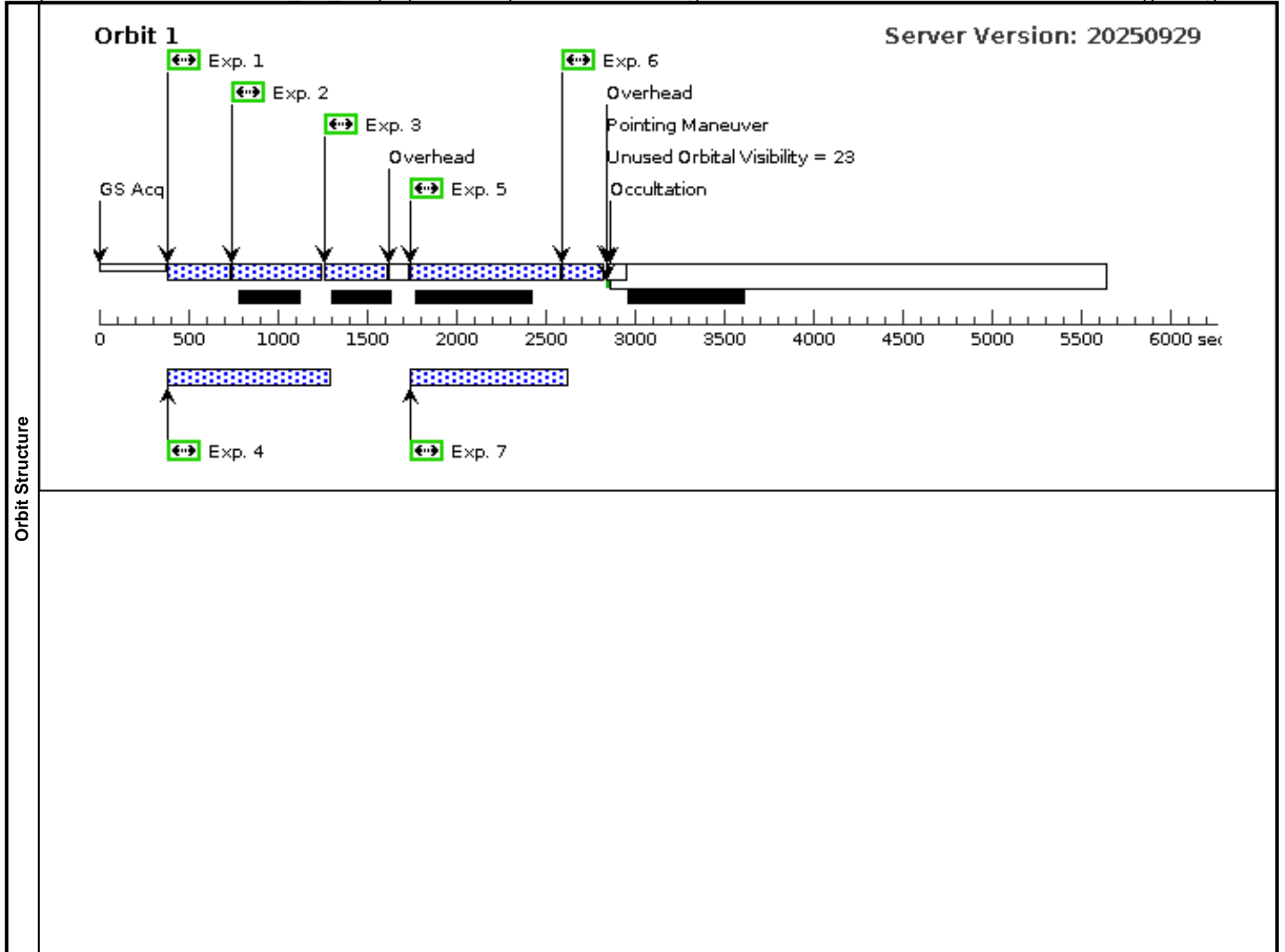
Visit	Proposal 18103, NGC4216-S_BB_NB (07), scheduling Diagnostic Status: No Diagnostics Scientific Instruments: WFC3/UVIS, ACS/WFC Special Requirements: SCHED 100%; ORIENT 265D TO 275 D; GROUP 07,08,09,45,46 WITHIN 30D Comments: 3orbits-BVIHa + (archival NUV,U 275/336) Position and orient matched to archival data												
	Fixed Targets	<table border="1"> <thead> <tr> <th>#</th> <th>Name</th> <th>Target Coordinates</th> <th>Targ. Coord. Corrections</th> <th>Fluxes</th> <th>Miscellaneous</th> </tr> </thead> <tbody> <tr> <td>(7)</td> <td>NGC4216-S</td> <td> RA: 12 15 51.3751 (183.9640629d) Dec: +13 06 55.24 (13.11534d) Equinox: J2000 </td> <td></td> <td>V=11</td> <td>Reference Frame: ICRS</td> </tr> </tbody> </table> Comments: Category=GALAXY Description=[SPIRAL]	#	Name	Target Coordinates	Targ. Coord. Corrections	Fluxes	Miscellaneous	(7)	NGC4216-S	RA: 12 15 51.3751 (183.9640629d) Dec: +13 06 55.24 (13.11534d) Equinox: J2000		V=11
#	Name	Target Coordinates	Targ. Coord. Corrections	Fluxes	Miscellaneous								
(7)	NGC4216-S	RA: 12 15 51.3751 (183.9640629d) Dec: +13 06 55.24 (13.11534d) Equinox: J2000		V=11	Reference Frame: ICRS								

Proposal 18103 - NGC4216-S BB NB (07) - Anatomy of a fall: Dissecting the environment-driven transformation of late-type Virgo clu...

#	Label	Target	Config,Mode,Aperture	Spectral Els.	Opt. Params.	Special Reqs.	Groups	Exp. Time (Total)/[Actual Dur.]	Orbit	
Exposures	1	F814W_OR BIT1	(7) NGC4216-S	WFC3/UVIS, ACCUM, UVIS-FIX	F814W	FLASH=15	POS TARG 0,0	Prime + Parallel Group 1-4 in NGC4216-S_BB_NB (07)	200 Secs (200 Secs) [==>]	[1]
	2	F438W_OR BIT1	(7) NGC4216-S	WFC3/UVIS, ACCUM, UVIS-FIX	F438W	FLASH=17	POS TARG 0,0	Prime + Parallel Group 1-4 in NGC4216-S_BB_NB (07)	348 Secs (348 Secs) [==>]	[1]
	3	F438W_OR BIT1	(7) NGC4216-S	WFC3/UVIS, ACCUM, UVIS-FIX	F438W	FLASH=20	POS TARG 0,0	Prime + Parallel Group 1-4 in NGC4216-S_BB_NB (07)	348 Secs (348 Secs) [==>]	[1]
	4	F814W-PA R_ORBIT1	ANY	ACS/WFC, ACCUM, WFC	F814W			Prime + Parallel Group 1-4 in NGC4216-S_BB_NB (07)	700 Secs (700 Secs) [==>]	[1]
	5	F657N_OR BIT1	(7) NGC4216-S	WFC3/UVIS, ACCUM, UVIS-FIX	F657N	FLASH=20	POS TARG 0,0	Prime + Parallel Group 5-7 in NGC4216-S_BB_NB (07)	695 Secs (695 Secs) [==>]	[1]
	6	F555W_OR BIT1	(7) NGC4216-S	WFC3/UVIS, ACCUM, UVIS-FIX	F555W	FLASH=15	POS TARG 0,0	Prime + Parallel Group 5-7 in NGC4216-S_BB_NB (07)	204 Secs (204 Secs) [==>]	[1]
	7	F606W-PA R_ORBIT1	ANY	ACS/WFC, ACCUM, WFC	F606W			Prime + Parallel Group 5-7 in NGC4216-S_BB_NB (07)	700 Secs (700 Secs) [==>]	[1]
	8	F814W_OR BIT2	(7) NGC4216-S	WFC3/UVIS, ACCUM, UVIS-FIX	F814W	FLASH=15	POS TARG 0.172,1.803	Prime + Parallel Group 8-11 in NGC4216-S_BB_NB (07)	260 Secs (260 Secs) [==>]	[2]
	9	F438W_OR BIT2	(7) NGC4216-S	WFC3/UVIS, ACCUM, UVIS-FIX	F438W	FLASH=17	POS TARG 0.172,1.803	Prime + Parallel Group 8-11 in NGC4216-S_BB_NB (07)	348 Secs (348 Secs) [==>]	[2]
	10	F555W_OR BIT2	(7) NGC4216-S	WFC3/UVIS, ACCUM, UVIS-FIX	F555W	FLASH=15	POS TARG 0.172,1.803	Prime + Parallel Group 8-11 in NGC4216-S_BB_NB (07)	300 Secs (300 Secs) [==>]	[2]
	11	F606W-PA R_ORBIT2	ANY	ACS/WFC, ACCUM, WFC	F606W			Prime + Parallel Group 8-11 in NGC4216-S_BB_NB (07)	900 Secs (900 Secs) [==>]	[2]
	12	F657N_OR BIT2	(7) NGC4216-S	WFC3/UVIS, ACCUM, UVIS-FIX	F657N	FLASH=20	POS TARG 0.172,1.803	Prime + Parallel Group 12-14 in NGC4216-S_BB_NB (07)	668 Secs (668 Secs) [==>]	[2]
	13	F555W_OR BIT2	(7) NGC4216-S	WFC3/UVIS, ACCUM, UVIS-FIX	F555W	FLASH=15	POS TARG 0.172,1.803	Prime + Parallel Group 12-14 in NGC4216-S_BB_NB (07)	212 Secs (212 Secs) [==>]	[2]
	14	F814W-PA R_ORBIT2	ANY	ACS/WFC, ACCUM, WFC	F814W			Prime + Parallel Group 12-14 in NGC4216-S_BB_NB (07)	700 Secs (700 Secs) [==>]	[2]
	15	F814W_OR BIT3	(7) NGC4216-S	WFC3/UVIS, ACCUM, UVIS-FIX	F814W	FLASH=15	POS TARG 0.343,3.606	Prime + Parallel Group 15-18 in NGC4216-S_BB_NB (07)	227 Secs (227 Secs) [==>]	[3]
	16	F438W_OR BIT3	(7) NGC4216-S	WFC3/UVIS, ACCUM, UVIS-FIX	F438W	FLASH=17	POS TARG 0.343,3.606	Prime + Parallel Group 15-18 in NGC4216-S_BB_NB (07)	348 Secs (348 Secs) [==>]	[3]
	17	F814W_OR BIT3	(7) NGC4216-S	WFC3/UVIS, ACCUM, UVIS-FIX	F814W	FLASH=15	POS TARG 0.343,3.606	Prime + Parallel Group 15-18 in NGC4216-S_BB_NB (07)	348 Secs (348 Secs) [==>]	[3]
	18	F814W-PA R_ORBIT3	ANY	ACS/WFC, ACCUM, WFC	F814W			Prime + Parallel Group 15-18 in NGC4216-S_BB_NB (07)	900 Secs (900 Secs) [==>]	[3]

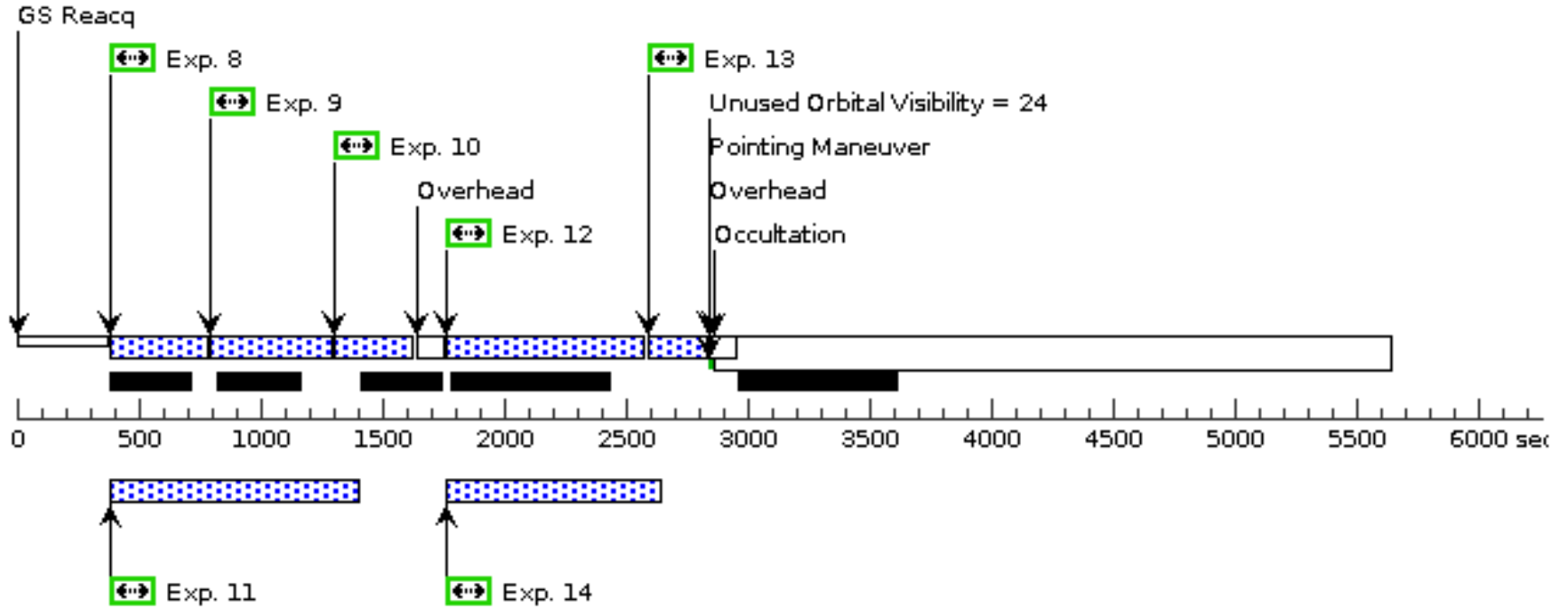
Proposal 18103 - NGC4216-S BB NB (07) - Anatomy of a fall: Dissecting the environment-driven transformation of late-type Virgo clu...

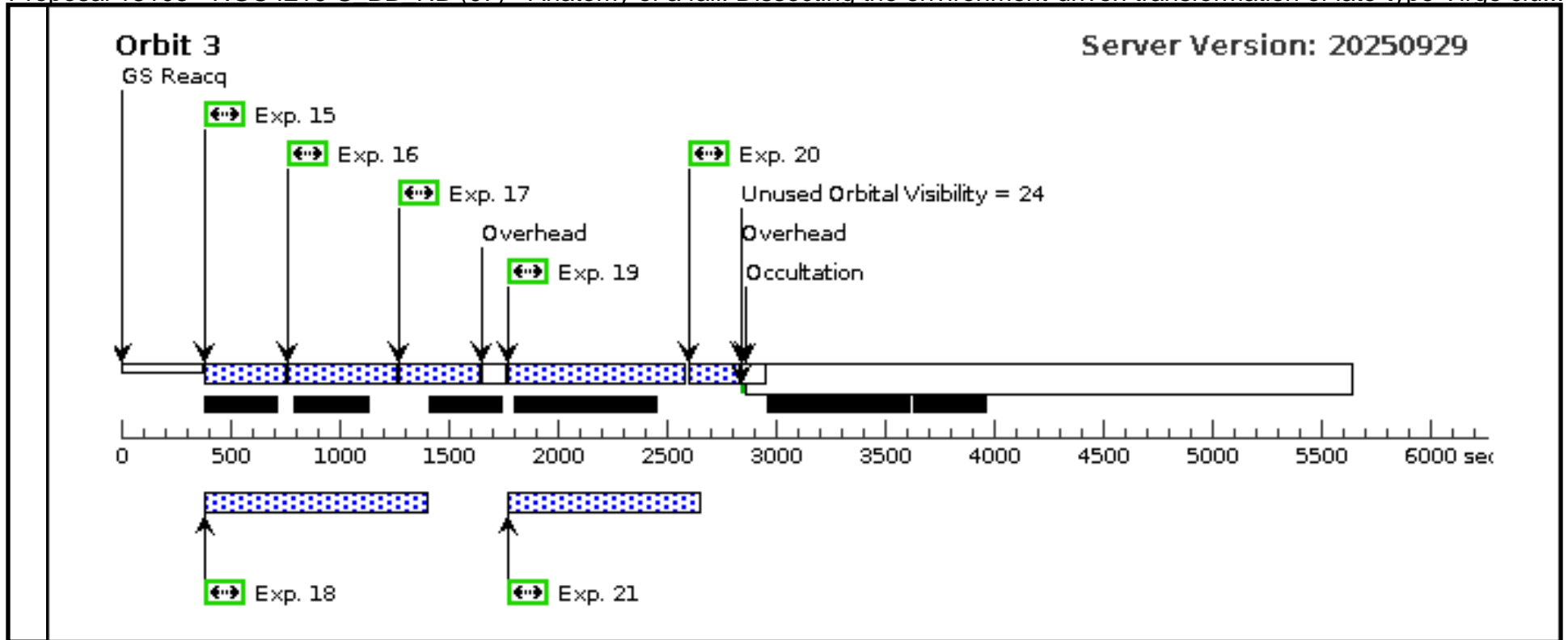
19	F657N_OR BIT3	(7) NGC4216-S	WFC3/UVIS, ACCUM, UVIS-FIX	F657N	FLASH=20	POS TARG 0.343,3. 606	Prime + Parallel Gro up 19-21 in NGC421 6-S_BB_NB (07)	665 Secs (665 Secs) [==>]	[3]
20	F555W_OR BIT3	(7) NGC4216-S	WFC3/UVIS, ACCUM, UVIS-FIX	F555W	FLASH=15	POS TARG 0.343,3. 606	Prime + Parallel Gro up 19-21 in NGC421 6-S_BB_NB (07)	200 Secs (200 Secs) [==>]	[3]
21	F606W-PA R_ORBIT3	ANY	ACS/WFC, ACCUM, WFC	F606W			Prime + Parallel Gro up 19-21 in NGC421 6-S_BB_NB (07)	700 Secs (700 Secs) [==>]	[3]



Orbit 2

Server Version: 20250929





Proposal 18103 - NGC4216-C_BB (08) - Anatomy of a fall: Dissecting the environment-driven transformation of late-type Virgo cluster ...

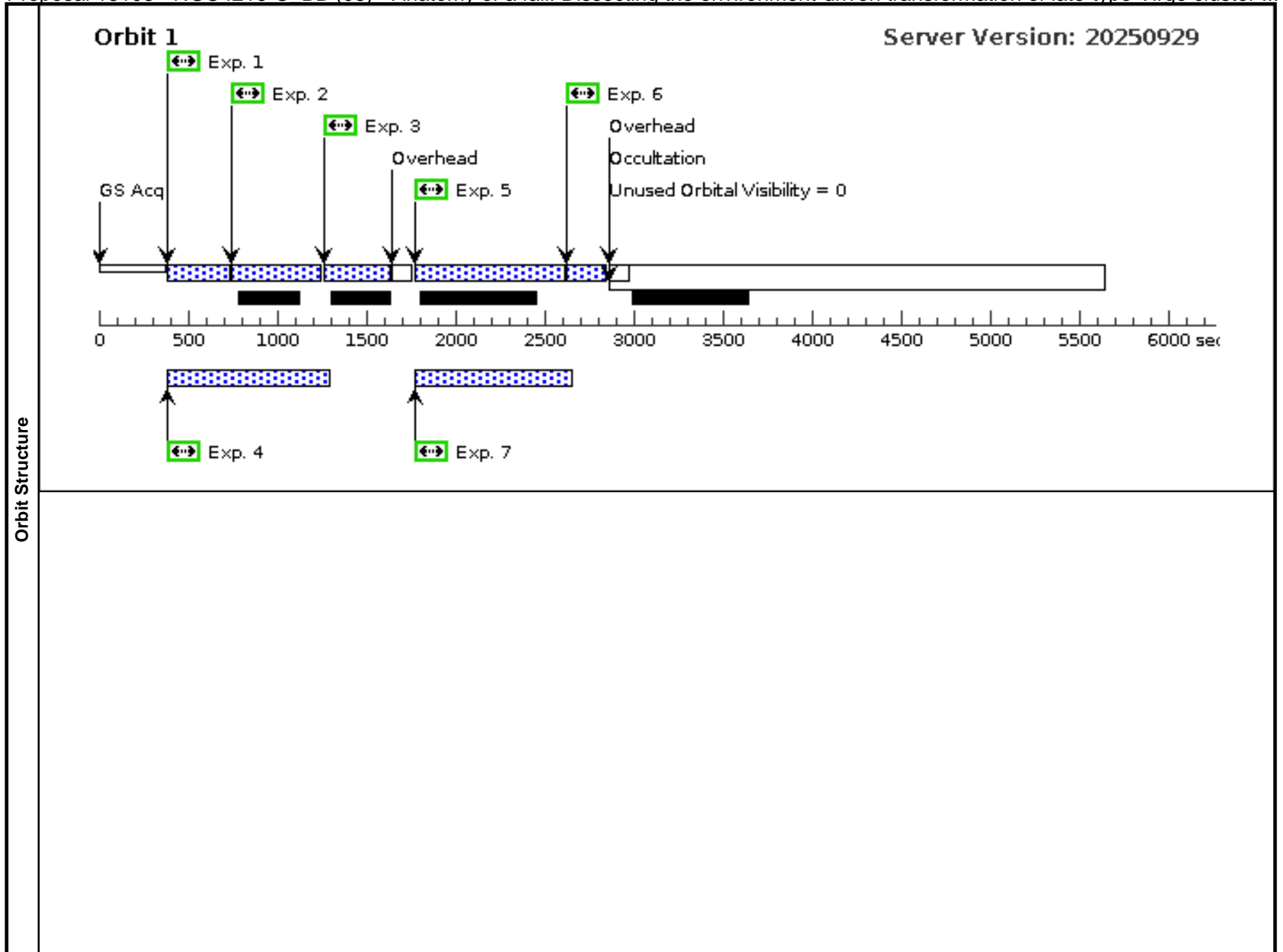
Visit	Proposal 18103, NGC4216-C_BB (08), scheduling Wed Feb 04 15:01:58 GMT 2026 Diagnostic Status: No Diagnostics Scientific Instruments: WFC3/UVIS, ACS/WFC Special Requirements: SCHED 100%; SAME ORIENT AS 07 Comments: NUBVIHa					
	Fixed Targets	#	Name	Target Coordinates	Targ. Coord. Corrections	Fluxes
(8)		NGC4216-C	RA: 12 15 54.9978 (183.9791575d) Dec: +13 09 0.37 (13.15010d) Equinox: J2000		V=11	Reference Frame: ICRS
	Comments: Category=GALAXY Description=[SPIRAL]					

Proposal 18103 - NGC4216-C_BB (08) - Anatomy of a fall: Dissecting the environment-driven transformation of late-type Virgo cluster ...

Exposures	#	Label	Target	Config,Mode,Aperture	Spectral Els.	Opt. Params.	Special Reqs.	Groups	Exp. Time (Total)/[Actual Dur.]	Orbit
	1	F814W_OR BIT1	(8) NGC4216-C	WFC3/UVIS, ACCUM, UVIS-FIX	F814W	FLASH=15	POS TARG 0,0	Prime + Parallel Group 1-4 in NGC4216-C_BB (08)	200 Secs (200 Secs) [==>]	[1]
	2	F438W_OR BIT1	(8) NGC4216-C	WFC3/UVIS, ACCUM, UVIS-FIX	F438W	FLASH=17	POS TARG 0,0	Prime + Parallel Group 1-4 in NGC4216-C_BB (08)	348 Secs (348 Secs) [==>]	[1]
	3	F336W_OR BIT1	(8) NGC4216-C	WFC3/UVIS, ACCUM, UVIS-FIX	F336W	FLASH=20	POS TARG 0,0	Prime + Parallel Group 1-4 in NGC4216-C_BB (08)	348 Secs (348 Secs) [==>]	[1]
	4	F814W-PA R_ORBIT1	ANY	ACS/WFC, ACCUM, WFC	F814W			Prime + Parallel Group 1-4 in NGC4216-C_BB (08)	700 Secs (700 Secs) [==>]	[1]
	5	F275W_OR BIT1	(8) NGC4216-C	WFC3/UVIS, ACCUM, UVIS-FIX	F275W	FLASH=20	POS TARG 0,0	Prime + Parallel Group 5-7 in NGC4216-C_BB (08)	695 Secs (695 Secs) [==>]	[1]
	6	F555W_OR BIT1	(8) NGC4216-C	WFC3/UVIS, ACCUM, UVIS-FIX	F555W	FLASH=15	POS TARG 0,0	Prime + Parallel Group 5-7 in NGC4216-C_BB (08)	204 Secs (204 Secs) [==>]	[1]
	7	F606W-PA R_ORBIT1	ANY	ACS/WFC, ACCUM, WFC	F606W			Prime + Parallel Group 5-7 in NGC4216-C_BB (08)	700 Secs (700 Secs) [==>]	[1]
	8	F814W_OR BIT2	(8) NGC4216-C	WFC3/UVIS, ACCUM, UVIS-FIX	F814W	FLASH=15	POS TARG 0.172,1.803	Prime + Parallel Group 8-11 in NGC4216-C_BB (08)	260 Secs (260 Secs) [==>]	[2]
	9	F438W_OR BIT2	(8) NGC4216-C	WFC3/UVIS, ACCUM, UVIS-FIX	F438W	FLASH=17	POS TARG 0.172,1.803	Prime + Parallel Group 8-11 in NGC4216-C_BB (08)	348 Secs (348 Secs) [==>]	[2]
	10	F336W_OR BIT2	(8) NGC4216-C	WFC3/UVIS, ACCUM, UVIS-FIX	F336W	FLASH=20	POS TARG 0.172,1.803	Prime + Parallel Group 8-11 in NGC4216-C_BB (08)	300 Secs (300 Secs) [==>]	[2]
	11	F606W-PA R_ORBIT2	ANY	ACS/WFC, ACCUM, WFC	F606W			Prime + Parallel Group 8-11 in NGC4216-C_BB (08)	900 Secs (900 Secs) [==>]	[2]
	12	F275W_OR BIT2	(8) NGC4216-C	WFC3/UVIS, ACCUM, UVIS-FIX	F275W	FLASH=20	POS TARG 0.172,1.803	Prime + Parallel Group 12-14 in NGC4216-C_BB (08)	668 Secs (668 Secs) [==>]	[2]
	13	F555W_OR BIT2	(8) NGC4216-C	WFC3/UVIS, ACCUM, UVIS-FIX	F555W	FLASH=15	POS TARG 0.172,1.803	Prime + Parallel Group 12-14 in NGC4216-C_BB (08)	212 Secs (212 Secs) [==>]	[2]
	14	F814W-PA R_ORBIT2	ANY	ACS/WFC, ACCUM, WFC	F814W			Prime + Parallel Group 12-14 in NGC4216-C_BB (08)	700 Secs (700 Secs) [==>]	[2]
	15	F814W_OR BIT3	(8) NGC4216-C	WFC3/UVIS, ACCUM, UVIS-FIX	F814W	FLASH=15	POS TARG 0.343,3.606	Prime + Parallel Group 15-18 in NGC4216-C_BB (08)	227 Secs (227 Secs) [==>]	[3]
	16	F438W_OR BIT3	(8) NGC4216-C	WFC3/UVIS, ACCUM, UVIS-FIX	F438W	FLASH=17	POS TARG 0.343,3.606	Prime + Parallel Group 15-18 in NGC4216-C_BB (08)	348 Secs (348 Secs) [==>]	[3]
	17	F336W_OR BIT3	(8) NGC4216-C	WFC3/UVIS, ACCUM, UVIS-FIX	F336W	FLASH=20	POS TARG 0.343,3.606	Prime + Parallel Group 15-18 in NGC4216-C_BB (08)	348 Secs (348 Secs) [==>]	[3]
18	F814W-PA R_ORBIT3	ANY	ACS/WFC, ACCUM, WFC	F814W			Prime + Parallel Group 15-18 in NGC4216-C_BB (08)	900 Secs (900 Secs) [==>]	[3]	

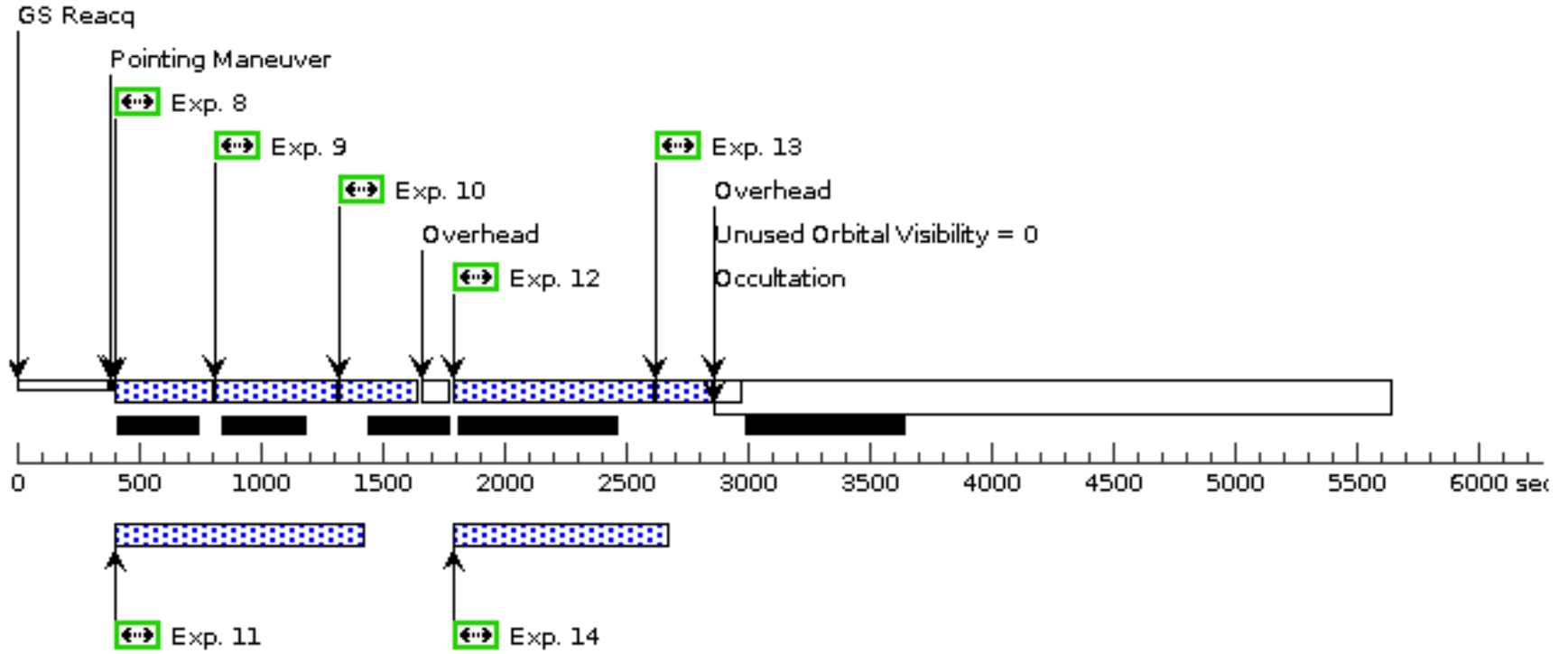
Proposal 18103 - NGC4216-C BB (08) - Anatomy of a fall: Dissecting the environment-driven transformation of late-type Virgo cluster ...

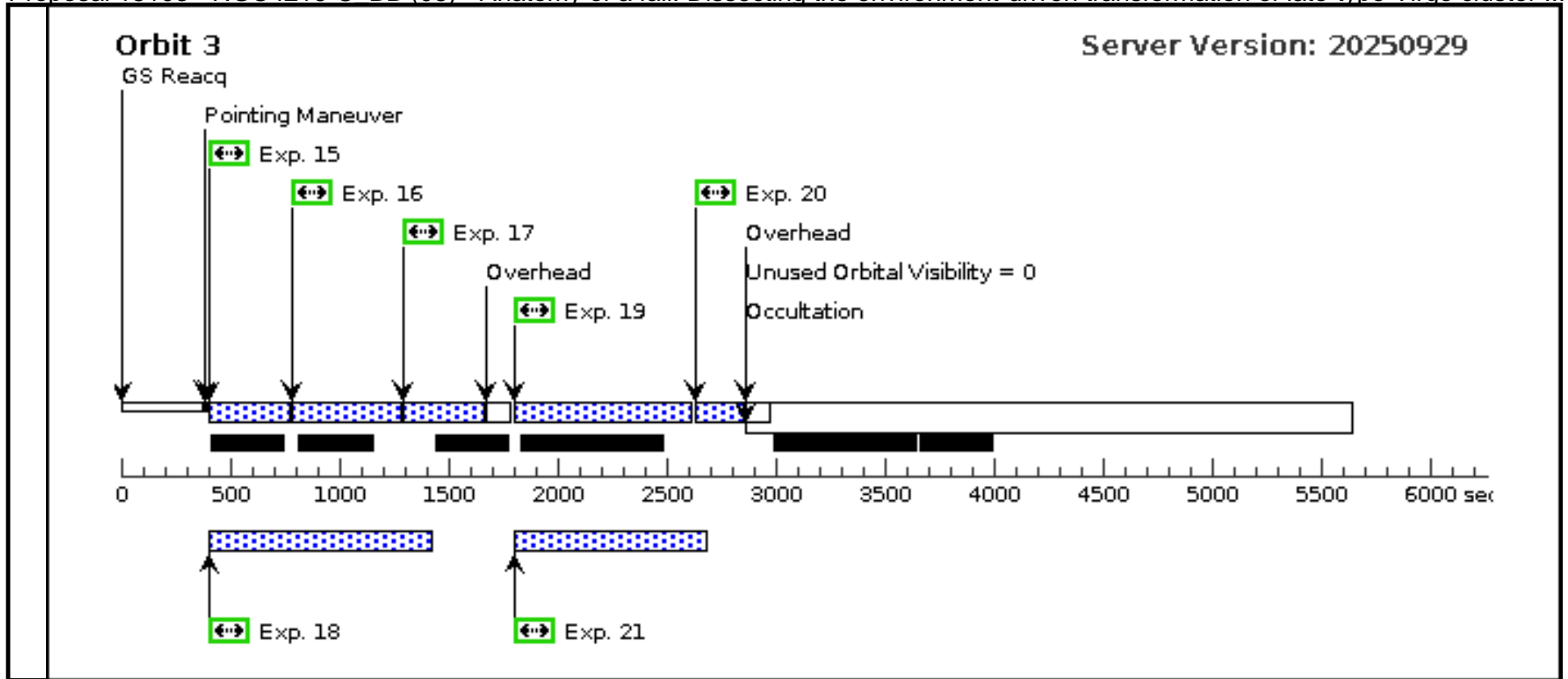
19	F275W_OR BIT3	(8) NGC4216-C	WFC3/UVIS, ACCUM, UVIS-FIX	F275W	FLASH=20	POS TARG 0.343,3. 606	Prime + Parallel Gro up 19-21 in NGC421 6-C_BB (08)	665 Secs (665 Secs) [==>]	[3]
20	F555W_OR BIT3	(8) NGC4216-C	WFC3/UVIS, ACCUM, UVIS-FIX	F555W	FLASH=15	POS TARG 0.343,3. 606	Prime + Parallel Gro up 19-21 in NGC421 6-C_BB (08)	200 Secs (200 Secs) [==>]	[3]
21	F606W-PA R_ORBIT3	ANY	ACS/WFC, ACCUM, WFC	F606W			Prime + Parallel Gro up 19-21 in NGC421 6-C_BB (08)	700 Secs (700 Secs) [==>]	[3]



Orbit 2

Server Version: 20250929





Proposal 18103 - NGC4216-N_BB (09) - Anatomy of a fall: Dissecting the environment-driven transformation of late-type Virgo cluster ...

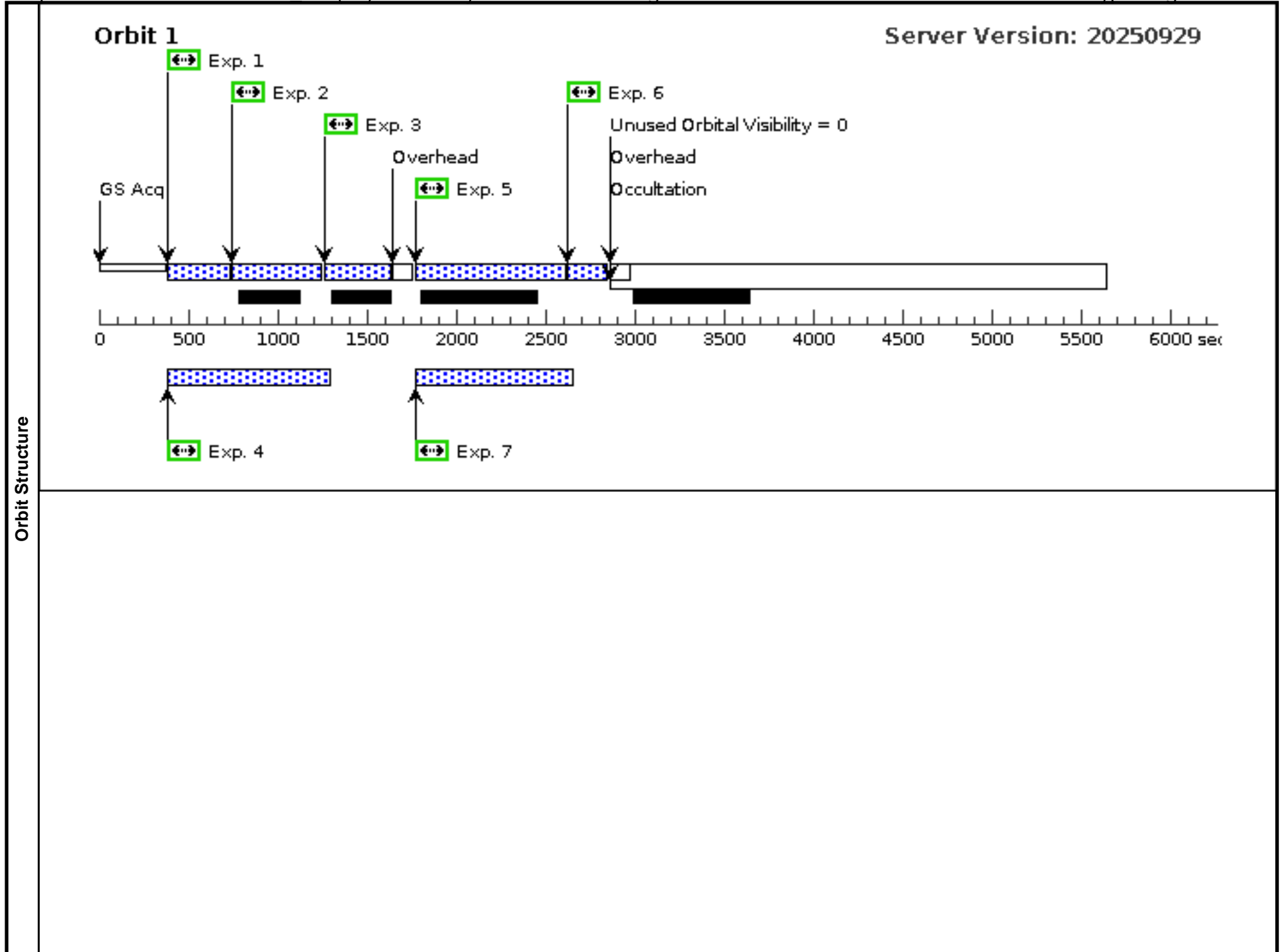
Visit	Proposal 18103, NGC4216-N_BB (09), scheduling Wed Feb 04 15:01:58 GMT 2026 Diagnostic Status: No Diagnostics Scientific Instruments: WFC3/UVIS, ACS/WFC Special Requirements: SCHED 100%; SAME ORIENT AS 07 Comments: NUBVIHa					
	Fixed Targets	#	Name	Target Coordinates	Targ. Coord. Corrections	Fluxes
(9)		NGC4216-N	RA: 12 15 58.1593 (183.9923304d) Dec: +13 11 6.24 (13.18507d) Equinox: J2000		V=11	Reference Frame: ICRS
	Comments: Category=GALAXY Description=[SPIRAL]					

Proposal 18103 - NGC4216-N_BB (09) - Anatomy of a fall: Dissecting the environment-driven transformation of late-type Virgo cluster ...

Exposures	#	Label	Target	Config,Mode,Aperture	Spectral Els.	Opt. Params.	Special Reqs.	Groups	Exp. Time (Total)/[Actual Dur.]	Orbit
	1	F814W_OR BIT1	(9) NGC4216-N	WFC3/UVIS, ACCUM, UVIS-FIX	F814W	FLASH=15	POS TARG 0,0	Prime + Parallel Group 1-4 in NGC4216-N_BB (09)	200 Secs (200 Secs) [==>]	[1]
	2	F438W_OR BIT1	(9) NGC4216-N	WFC3/UVIS, ACCUM, UVIS-FIX	F438W	FLASH=17	POS TARG 0,0	Prime + Parallel Group 1-4 in NGC4216-N_BB (09)	348 Secs (348 Secs) [==>]	[1]
	3	F336W_OR BIT1	(9) NGC4216-N	WFC3/UVIS, ACCUM, UVIS-FIX	F336W	FLASH=20	POS TARG 0,0	Prime + Parallel Group 1-4 in NGC4216-N_BB (09)	348 Secs (348 Secs) [==>]	[1]
	4	F814W-PA R_ORBIT1	ANY	ACS/WFC, ACCUM, WFC	F814W			Prime + Parallel Group 1-4 in NGC4216-N_BB (09)	700 Secs (700 Secs) [==>]	[1]
	5	F275W_OR BIT1	(9) NGC4216-N	WFC3/UVIS, ACCUM, UVIS-FIX	F275W	FLASH=20	POS TARG 0,0	Prime + Parallel Group 5-7 in NGC4216-N_BB (09)	695 Secs (695 Secs) [==>]	[1]
	6	F555W_OR BIT1	(9) NGC4216-N	WFC3/UVIS, ACCUM, UVIS-FIX	F555W	FLASH=15	POS TARG 0,0	Prime + Parallel Group 5-7 in NGC4216-N_BB (09)	204 Secs (204 Secs) [==>]	[1]
	7	F606W-PA R_ORBIT1	ANY	ACS/WFC, ACCUM, WFC	F606W			Prime + Parallel Group 5-7 in NGC4216-N_BB (09)	700 Secs (700 Secs) [==>]	[1]
	8	F814W_OR BIT2	(9) NGC4216-N	WFC3/UVIS, ACCUM, UVIS-FIX	F814W	FLASH=15	POS TARG 0.172,1.803	Prime + Parallel Group 8-11 in NGC4216-N_BB (09)	260 Secs (260 Secs) [==>]	[2]
	9	F438W_OR BIT2	(9) NGC4216-N	WFC3/UVIS, ACCUM, UVIS-FIX	F438W	FLASH=17	POS TARG 0.172,1.803	Prime + Parallel Group 8-11 in NGC4216-N_BB (09)	348 Secs (348 Secs) [==>]	[2]
	10	F336W_OR BIT2	(9) NGC4216-N	WFC3/UVIS, ACCUM, UVIS-FIX	F336W	FLASH=20	POS TARG 0.172,1.803	Prime + Parallel Group 8-11 in NGC4216-N_BB (09)	300 Secs (300 Secs) [==>]	[2]
	11	F606W-PA R_ORBIT2	ANY	ACS/WFC, ACCUM, WFC	F606W			Prime + Parallel Group 8-11 in NGC4216-N_BB (09)	900 Secs (900 Secs) [==>]	[2]
	12	F275W_OR BIT2	(9) NGC4216-N	WFC3/UVIS, ACCUM, UVIS-FIX	F275W	FLASH=20	POS TARG 0.172,1.803	Prime + Parallel Group 12-14 in NGC4216-N_BB (09)	668 Secs (668 Secs) [==>]	[2]
	13	F555W_OR BIT2	(9) NGC4216-N	WFC3/UVIS, ACCUM, UVIS-FIX	F555W	FLASH=15	POS TARG 0.172,1.803	Prime + Parallel Group 12-14 in NGC4216-N_BB (09)	212 Secs (212 Secs) [==>]	[2]
	14	F814W-PA R_ORBIT2	ANY	ACS/WFC, ACCUM, WFC	F814W			Prime + Parallel Group 12-14 in NGC4216-N_BB (09)	700 Secs (700 Secs) [==>]	[2]
	15	F814W_OR BIT3	(9) NGC4216-N	WFC3/UVIS, ACCUM, UVIS-FIX	F814W	FLASH=15	POS TARG 0.343,3.606	Prime + Parallel Group 15-18 in NGC4216-N_BB (09)	227 Secs (227 Secs) [==>]	[3]
	16	F438W_OR BIT3	(9) NGC4216-N	WFC3/UVIS, ACCUM, UVIS-FIX	F438W	FLASH=17	POS TARG 0.343,3.606	Prime + Parallel Group 15-18 in NGC4216-N_BB (09)	348 Secs (348 Secs) [==>]	[3]
	17	F336W_OR BIT3	(9) NGC4216-N	WFC3/UVIS, ACCUM, UVIS-FIX	F336W	FLASH=20	POS TARG 0.343,3.606	Prime + Parallel Group 15-18 in NGC4216-N_BB (09)	348 Secs (348 Secs) [==>]	[3]
18	F814W-PA R_ORBIT3	ANY	ACS/WFC, ACCUM, WFC	F814W			Prime + Parallel Group 15-18 in NGC4216-N_BB (09)	900 Secs (900 Secs) [==>]	[3]	

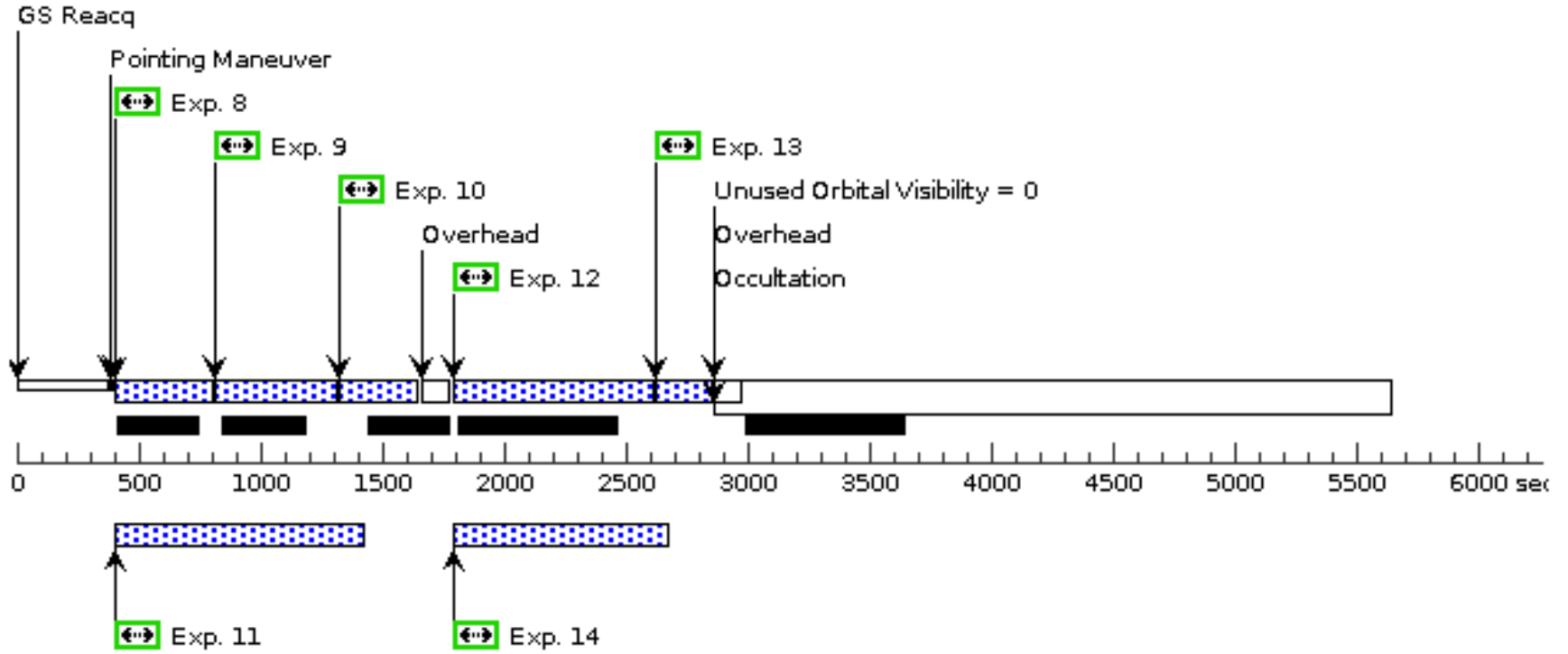
Proposal 18103 - NGC4216-N BB (09) - Anatomy of a fall: Dissecting the environment-driven transformation of late-type Virgo cluster ...

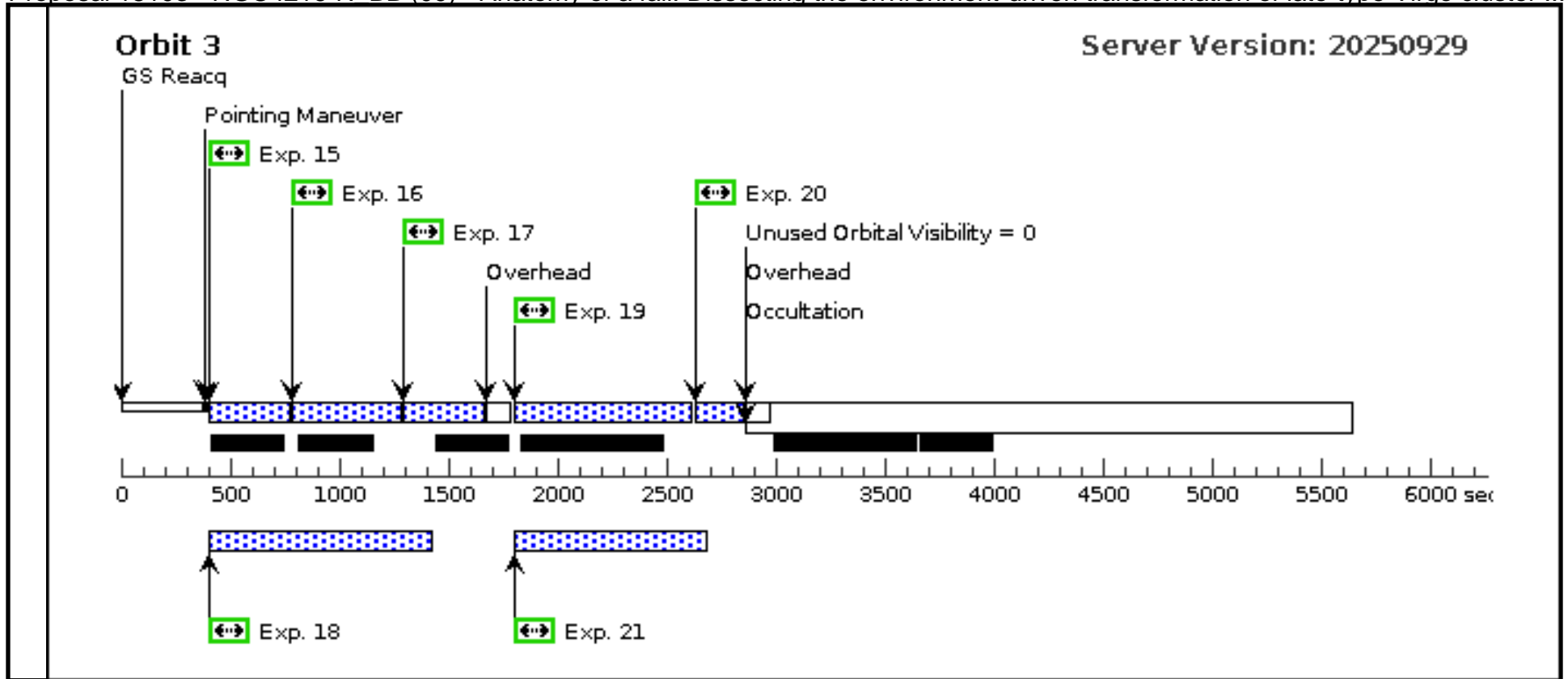
19	F275W_OR BIT3	(9) NGC4216-N	WFC3/UVIS, ACCUM, UVIS-FIX	F275W	FLASH=20	POS TARG 0.343,3. 606	Prime + Parallel Gro up 19-21 in NGC421 6-N_BB (09)	665 Secs (665 Secs) [==>]	[3]
20	F555W_OR BIT3	(9) NGC4216-N	WFC3/UVIS, ACCUM, UVIS-FIX	F555W	FLASH=15	POS TARG 0.343,3. 606	Prime + Parallel Gro up 19-21 in NGC421 6-N_BB (09)	200 Secs (200 Secs) [==>]	[3]
21	F606W-PA R_ORBIT3	ANY	ACS/WFC, ACCUM, WFC	F606W			Prime + Parallel Gro up 19-21 in NGC421 6-N_BB (09)	700 Secs (700 Secs) [==>]	[3]



Orbit 2

Server Version: 20250929





Proposal 18103 - NGC4222_BB (10) - Anatomy of a fall: Dissecting the environment-driven transformation of late-type Virgo cluster ga...

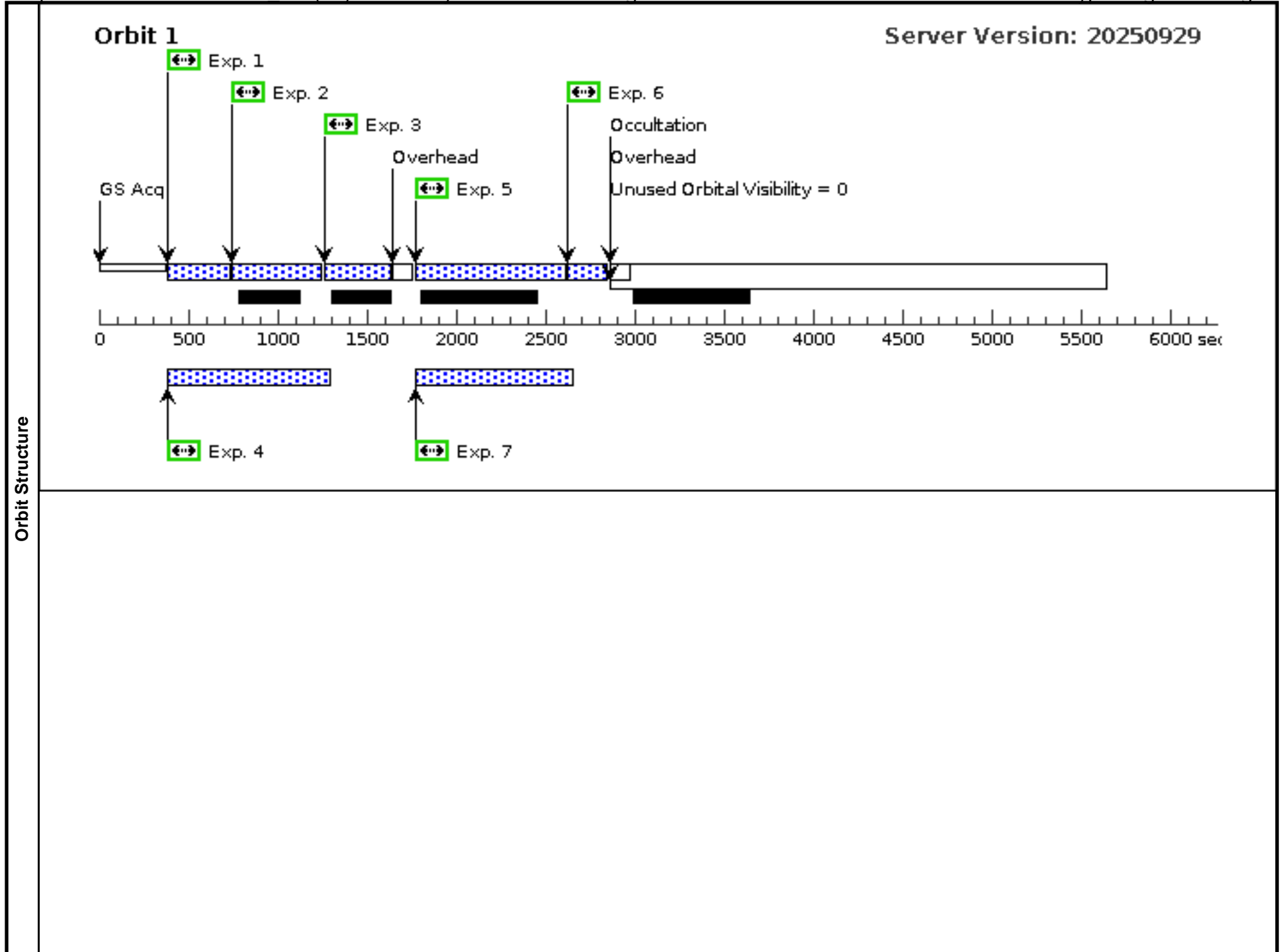
Visit	Proposal 18103, NGC4222_BB (10), completed Wed Feb 04 15:01:58 GMT 2026 Diagnostic Status: No Diagnostics Scientific Instruments: WFC3/UVIS, ACS/WFC Special Requirements: SCHED 100%; ORIENT 312D TO 316 D; GROUP 10,47 WITHIN 30D <i>Comments: NUBVIHa</i>					
	Fixed Targets	#	Name	Target Coordinates	Targ. Coord. Corrections	Fluxes
(10)		NGC4222	RA: 12 16 22.4359 (184.0934829d) Dec: +13 18 22.32 (13.30620d) Equinox: J2000		V=11	Reference Frame: ICRS
	<i>Comments:</i> Category=GALAXY Description=[SPIRAL]					

Proposal 18103 - NGC4222 BB (10) - Anatomy of a fall: Dissecting the environment-driven transformation of late-type Virgo cluster ga...

#	Label	Target	Config,Mode,Aperture	Spectral Els.	Opt. Params.	Special Reqs.	Groups	Exp. Time (Total)/[Actual Dur.]	Orbit	
Exposures	1	F814W_OR BIT1	(10) NGC4222	WFC3/UVIS, ACCUM, UVIS-FIX	F814W	FLASH=15	POS TARG 0,0	Prime + Parallel Group 1-4 in NGC4222_BB (10)	200 Secs (200 Secs) [==>]	[1]
	2	F438W_OR BIT1	(10) NGC4222	WFC3/UVIS, ACCUM, UVIS-FIX	F438W	FLASH=17	POS TARG 0,0	Prime + Parallel Group 1-4 in NGC4222_BB (10)	348 Secs (348 Secs) [==>]	[1]
	3	F336W_OR BIT1	(10) NGC4222	WFC3/UVIS, ACCUM, UVIS-FIX	F336W	FLASH=20	POS TARG 0,0	Prime + Parallel Group 1-4 in NGC4222_BB (10)	348 Secs (348 Secs) [==>]	[1]
	4	F814W-PA R_ORBIT1	ANY	ACS/WFC, ACCUM, WFC	F814W			Prime + Parallel Group 1-4 in NGC4222_BB (10)	700 Secs (700 Secs) [==>]	[1]
	5	F275W_OR BIT1	(10) NGC4222	WFC3/UVIS, ACCUM, UVIS-FIX	F275W	FLASH=20	POS TARG 0,0	Prime + Parallel Group 5-7 in NGC4222_BB (10)	695 Secs (695 Secs) [==>]	[1]
	6	F555W_OR BIT1	(10) NGC4222	WFC3/UVIS, ACCUM, UVIS-FIX	F555W	FLASH=15	POS TARG 0,0	Prime + Parallel Group 5-7 in NGC4222_BB (10)	204 Secs (204 Secs) [==>]	[1]
	7	F606W-PA R_ORBIT1	ANY	ACS/WFC, ACCUM, WFC	F606W			Prime + Parallel Group 5-7 in NGC4222_BB (10)	700 Secs (700 Secs) [==>]	[1]
	8	F814W_OR BIT2	(10) NGC4222	WFC3/UVIS, ACCUM, UVIS-FIX	F814W	FLASH=15	POS TARG 0.172,1.803	Prime + Parallel Group 8-11 in NGC4222_BB (10)	260 Secs (260 Secs) [==>]	[2]
	9	F438W_OR BIT2	(10) NGC4222	WFC3/UVIS, ACCUM, UVIS-FIX	F438W	FLASH=17	POS TARG 0.172,1.803	Prime + Parallel Group 8-11 in NGC4222_BB (10)	348 Secs (348 Secs) [==>]	[2]
	10	F336W_OR BIT2	(10) NGC4222	WFC3/UVIS, ACCUM, UVIS-FIX	F336W	FLASH=20	POS TARG 0.172,1.803	Prime + Parallel Group 8-11 in NGC4222_BB (10)	300 Secs (300 Secs) [==>]	[2]
	11	F606W-PA R_ORBIT2	ANY	ACS/WFC, ACCUM, WFC	F606W			Prime + Parallel Group 8-11 in NGC4222_BB (10)	900 Secs (900 Secs) [==>]	[2]
	12	F275W_OR BIT2	(10) NGC4222	WFC3/UVIS, ACCUM, UVIS-FIX	F275W	FLASH=20	POS TARG 0.172,1.803	Prime + Parallel Group 12-14 in NGC4222_BB (10)	668 Secs (668 Secs) [==>]	[2]
	13	F555W_OR BIT2	(10) NGC4222	WFC3/UVIS, ACCUM, UVIS-FIX	F555W	FLASH=15	POS TARG 0.172,1.803	Prime + Parallel Group 12-14 in NGC4222_BB (10)	212 Secs (212 Secs) [==>]	[2]
	14	F814W-PA R_ORBIT2	ANY	ACS/WFC, ACCUM, WFC	F814W			Prime + Parallel Group 12-14 in NGC4222_BB (10)	700 Secs (700 Secs) [==>]	[2]
	15	F814W_OR BIT3	(10) NGC4222	WFC3/UVIS, ACCUM, UVIS-FIX	F814W	FLASH=15	POS TARG 0.343,3.606	Prime + Parallel Group 15-18 in NGC4222_BB (10)	227 Secs (227 Secs) [==>]	[3]
	16	F438W_OR BIT3	(10) NGC4222	WFC3/UVIS, ACCUM, UVIS-FIX	F438W	FLASH=17	POS TARG 0.343,3.606	Prime + Parallel Group 15-18 in NGC4222_BB (10)	348 Secs (348 Secs) [==>]	[3]
	17	F336W_OR BIT3	(10) NGC4222	WFC3/UVIS, ACCUM, UVIS-FIX	F336W	FLASH=20	POS TARG 0.343,3.606	Prime + Parallel Group 15-18 in NGC4222_BB (10)	348 Secs (348 Secs) [==>]	[3]
	18	F814W-PA R_ORBIT3	ANY	ACS/WFC, ACCUM, WFC	F814W			Prime + Parallel Group 15-18 in NGC4222_BB (10)	900 Secs (900 Secs) [==>]	[3]

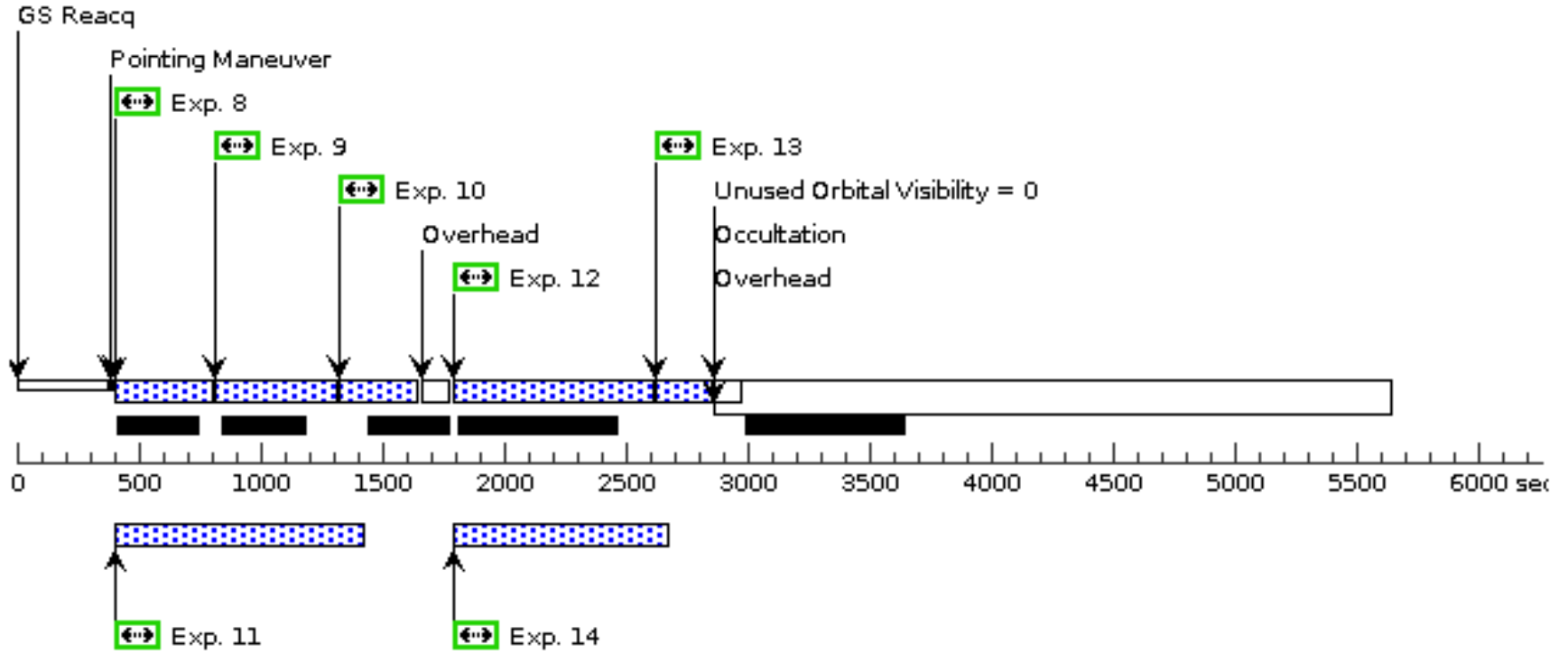
Proposal 18103 - NGC4222 BB (10) - Anatomy of a fall: Dissecting the environment-driven transformation of late-type Virgo cluster ga...

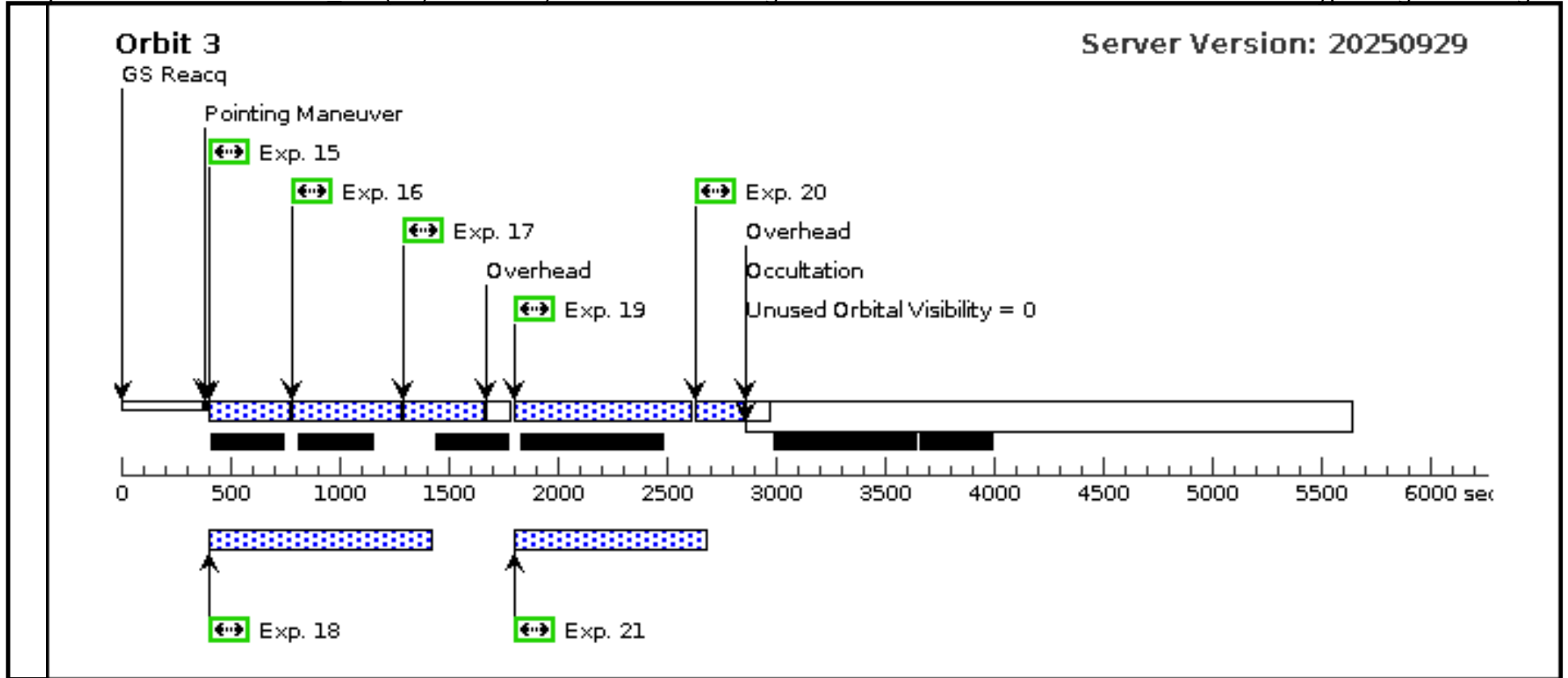
19	F275W_OR BIT3	(10) NGC4222	WFC3/UVIS, ACCUM, UVIS-FIX	F275W	FLASH=20	POS TARG 0.343,3.606	Prime + Parallel Group 19-21 in NGC4222_BB (10)	665 Secs (665 Secs)	[==>]	[3]
20	F555W_OR BIT3	(10) NGC4222	WFC3/UVIS, ACCUM, UVIS-FIX	F555W	FLASH=15	POS TARG 0.343,3.606	Prime + Parallel Group 19-21 in NGC4222_BB (10)	200 Secs (200 Secs)	[==>]	[3]
21	F606W-PA R_ORBIT3	ANY	ACS/WFC, ACCUM, WFC	F606W			Prime + Parallel Group 19-21 in NGC4222_BB (10)	700 Secs (700 Secs)	[==>]	[3]



Orbit 2

Server Version: 20250929





Proposal 18103 - NGC4293-E BB (11) - Anatomy of a fall: Dissecting the environment-driven transformation of late-type Virgo cluster ...

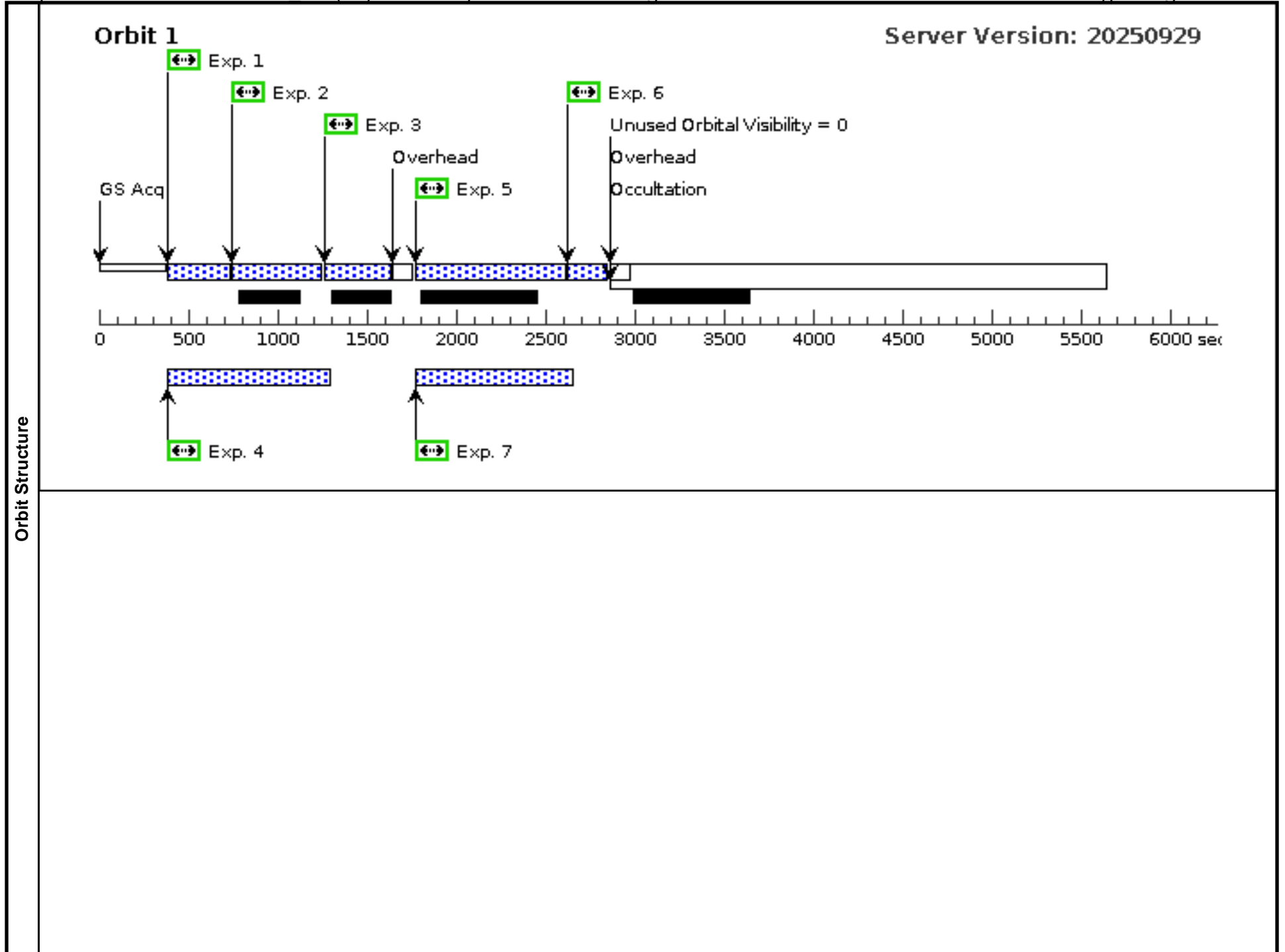
Visit	Proposal 18103, NGC4293-E_BB (11), scheduling Wed Feb 04 15:01:58 GMT 2026 Diagnostic Status: No Diagnostics Scientific Instruments: WFC3/UVIS, ACS/WFC Special Requirements: SCHED 100%; ORIENT 273D TO 290 D; GROUP 11,12,48,49 WITHIN 30D Comments: NUBVIHa					
	Fixed Targets	#	Name	Target Coordinates	Targ. Coord. Corrections	Fluxes
(11)		NGC4293-E	RA: 12 21 17.0700 (185.3211250d) Dec: +18 23 23.77 (18.38994d) Equinox: J2000		V=11	Reference Frame: ICRS
	Comments: Category=GALAXY Description=[SPIRAL]					

Proposal 18103 - NGC4293-E BB (11) - Anatomy of a fall: Dissecting the environment-driven transformation of late-type Virgo cluster ...

Exposures	#	Label	Target	Config,Mode,Aperture	Spectral Els.	Opt. Params.	Special Reqs.	Groups	Exp. Time (Total)/[Actual Dur.]	Orbit
	1	F814W_OR BIT1	(11) NGC4293-E	WFC3/UVIS, ACCUM, UVIS-FIX	F814W	FLASH=15	POS TARG 0,0	Prime + Parallel Group 1-4 in NGC4293-E_BB (11)	200 Secs (200 Secs) [==>]	[1]
	2	F438W_OR BIT1	(11) NGC4293-E	WFC3/UVIS, ACCUM, UVIS-FIX	F438W	FLASH=17	POS TARG 0,0	Prime + Parallel Group 1-4 in NGC4293-E_BB (11)	348 Secs (348 Secs) [==>]	[1]
	3	F336W_OR BIT1	(11) NGC4293-E	WFC3/UVIS, ACCUM, UVIS-FIX	F336W	FLASH=20	POS TARG 0,0	Prime + Parallel Group 1-4 in NGC4293-E_BB (11)	348 Secs (348 Secs) [==>]	[1]
	4	F814W-PA R_ORBIT1	ANY	ACS/WFC, ACCUM, WFC	F814W			Prime + Parallel Group 1-4 in NGC4293-E_BB (11)	700 Secs (700 Secs) [==>]	[1]
	5	F275W_OR BIT1	(11) NGC4293-E	WFC3/UVIS, ACCUM, UVIS-FIX	F275W	FLASH=20	POS TARG 0,0	Prime + Parallel Group 5-7 in NGC4293-E_BB (11)	695 Secs (695 Secs) [==>]	[1]
	6	F555W_OR BIT1	(11) NGC4293-E	WFC3/UVIS, ACCUM, UVIS-FIX	F555W	FLASH=15	POS TARG 0,0	Prime + Parallel Group 5-7 in NGC4293-E_BB (11)	203 Secs (203 Secs) [==>]	[1]
	7	F606W-PA R_ORBIT1	ANY	ACS/WFC, ACCUM, WFC	F606W			Prime + Parallel Group 5-7 in NGC4293-E_BB (11)	700 Secs (700 Secs) [==>]	[1]
	8	F814W_OR BIT2	(11) NGC4293-E	WFC3/UVIS, ACCUM, UVIS-FIX	F814W	FLASH=15	POS TARG 0.172,1.803	Prime + Parallel Group 8-11 in NGC4293-E_BB (11)	259 Secs (259 Secs) [==>]	[2]
	9	F438W_OR BIT2	(11) NGC4293-E	WFC3/UVIS, ACCUM, UVIS-FIX	F438W	FLASH=17	POS TARG 0.172,1.803	Prime + Parallel Group 8-11 in NGC4293-E_BB (11)	348 Secs (348 Secs) [==>]	[2]
	10	F336W_OR BIT2	(11) NGC4293-E	WFC3/UVIS, ACCUM, UVIS-FIX	F336W	FLASH=20	POS TARG 0.172,1.803	Prime + Parallel Group 8-11 in NGC4293-E_BB (11)	300 Secs (300 Secs) [==>]	[2]
	11	F606W-PA R_ORBIT2	ANY	ACS/WFC, ACCUM, WFC	F606W			Prime + Parallel Group 8-11 in NGC4293-E_BB (11)	900 Secs (900 Secs) [==>]	[2]
	12	F275W_OR BIT2	(11) NGC4293-E	WFC3/UVIS, ACCUM, UVIS-FIX	F275W	FLASH=20	POS TARG 0.172,1.803	Prime + Parallel Group 12-14 in NGC4293-E_BB (11)	668 Secs (668 Secs) [==>]	[2]
	13	F555W_OR BIT2	(11) NGC4293-E	WFC3/UVIS, ACCUM, UVIS-FIX	F555W	FLASH=15	POS TARG 0.172,1.803	Prime + Parallel Group 12-14 in NGC4293-E_BB (11)	212 Secs (212 Secs) [==>]	[2]
	14	F814W-PA R_ORBIT2	ANY	ACS/WFC, ACCUM, WFC	F814W			Prime + Parallel Group 12-14 in NGC4293-E_BB (11)	700 Secs (700 Secs) [==>]	[2]
	15	F814W_OR BIT3	(11) NGC4293-E	WFC3/UVIS, ACCUM, UVIS-FIX	F814W	FLASH=15	POS TARG 0.343,3.606	Prime + Parallel Group 15-18 in NGC4293-E_BB (11)	226 Secs (226 Secs) [==>]	[3]
	16	F438W_OR BIT3	(11) NGC4293-E	WFC3/UVIS, ACCUM, UVIS-FIX	F438W	FLASH=17	POS TARG 0.343,3.606	Prime + Parallel Group 15-18 in NGC4293-E_BB (11)	348 Secs (348 Secs) [==>]	[3]
	17	F336W_OR BIT3	(11) NGC4293-E	WFC3/UVIS, ACCUM, UVIS-FIX	F336W	FLASH=20	POS TARG 0.343,3.606	Prime + Parallel Group 15-18 in NGC4293-E_BB (11)	348 Secs (348 Secs) [==>]	[3]
18	F814W-PA R_ORBIT3	ANY	ACS/WFC, ACCUM, WFC	F814W			Prime + Parallel Group 15-18 in NGC4293-E_BB (11)	900 Secs (900 Secs) [==>]	[3]	

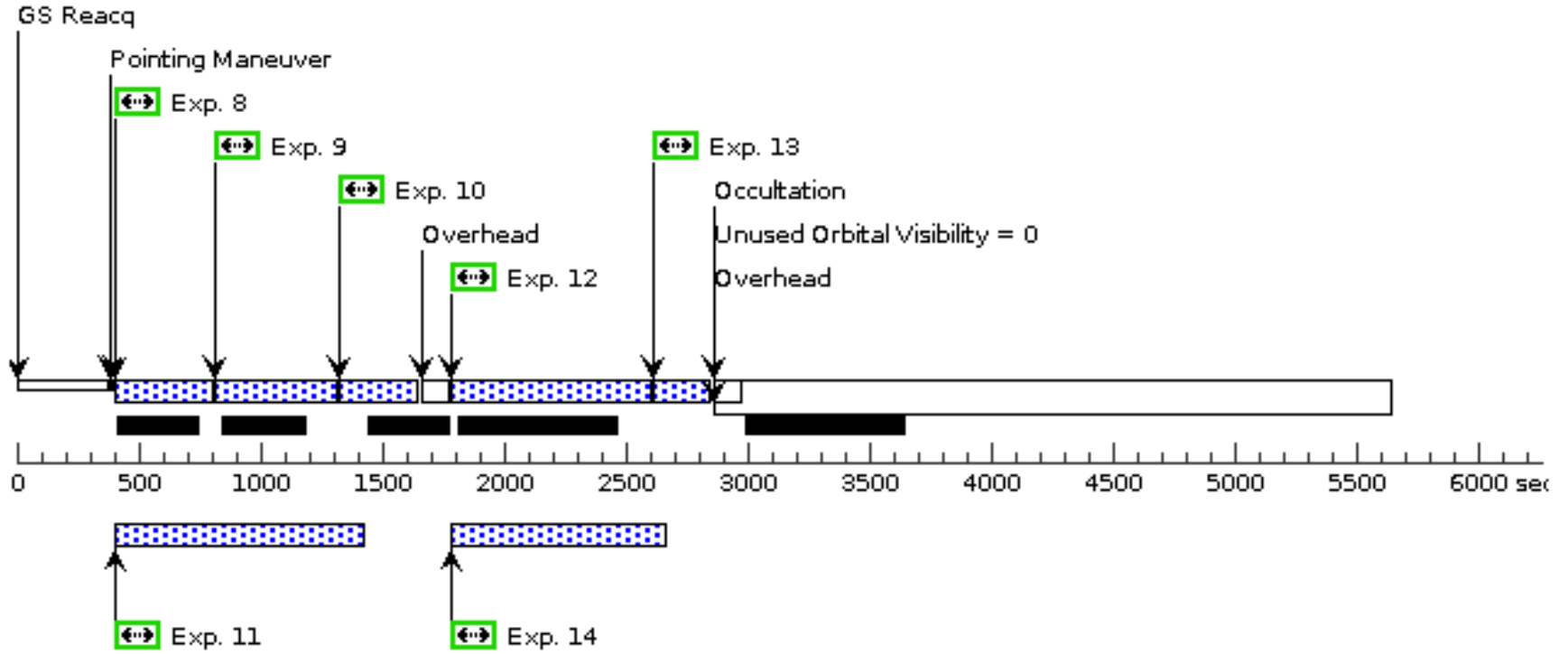
Proposal 18103 - NGC4293-E BB (11) - Anatomy of a fall: Dissecting the environment-driven transformation of late-type Virgo cluster ...

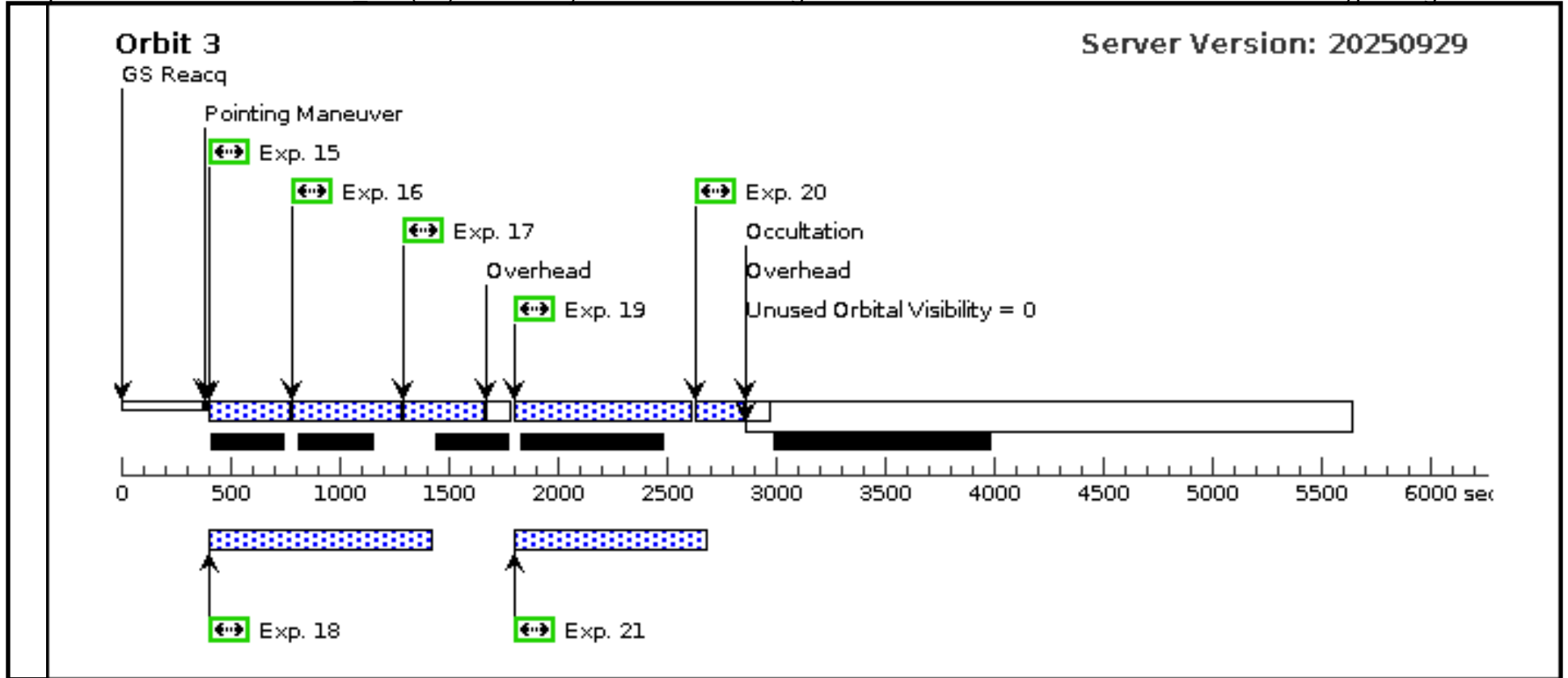
19	F275W_OR BIT3	(11) NGC4293-E	WFC3/UVIS, ACCUM, UVIS-FIX	F275W	FLASH=20	POS TARG 0.343,3. 606	Prime + Parallel Gro up 19-21 in NGC429 3-E_BB (11)	665 Secs (665 Secs) [==>]	[3]
20	F555W_OR BIT3	(11) NGC4293-E	WFC3/UVIS, ACCUM, UVIS-FIX	F555W	FLASH=15	POS TARG 0.343,3. 606	Prime + Parallel Gro up 19-21 in NGC429 3-E_BB (11)	200 Secs (200 Secs) [==>]	[3]
21	F606W-PA R_ORBIT3	ANY	ACS/WFC, ACCUM, WFC	F606W			Prime + Parallel Gro up 19-21 in NGC429 3-E_BB (11)	700 Secs (700 Secs) [==>]	[3]



Orbit 2

Server Version: 20250929





Proposal 18103 - NGC4293-W_BB (12) - Anatomy of a fall: Dissecting the environment-driven transformation of late-type Virgo cluster...

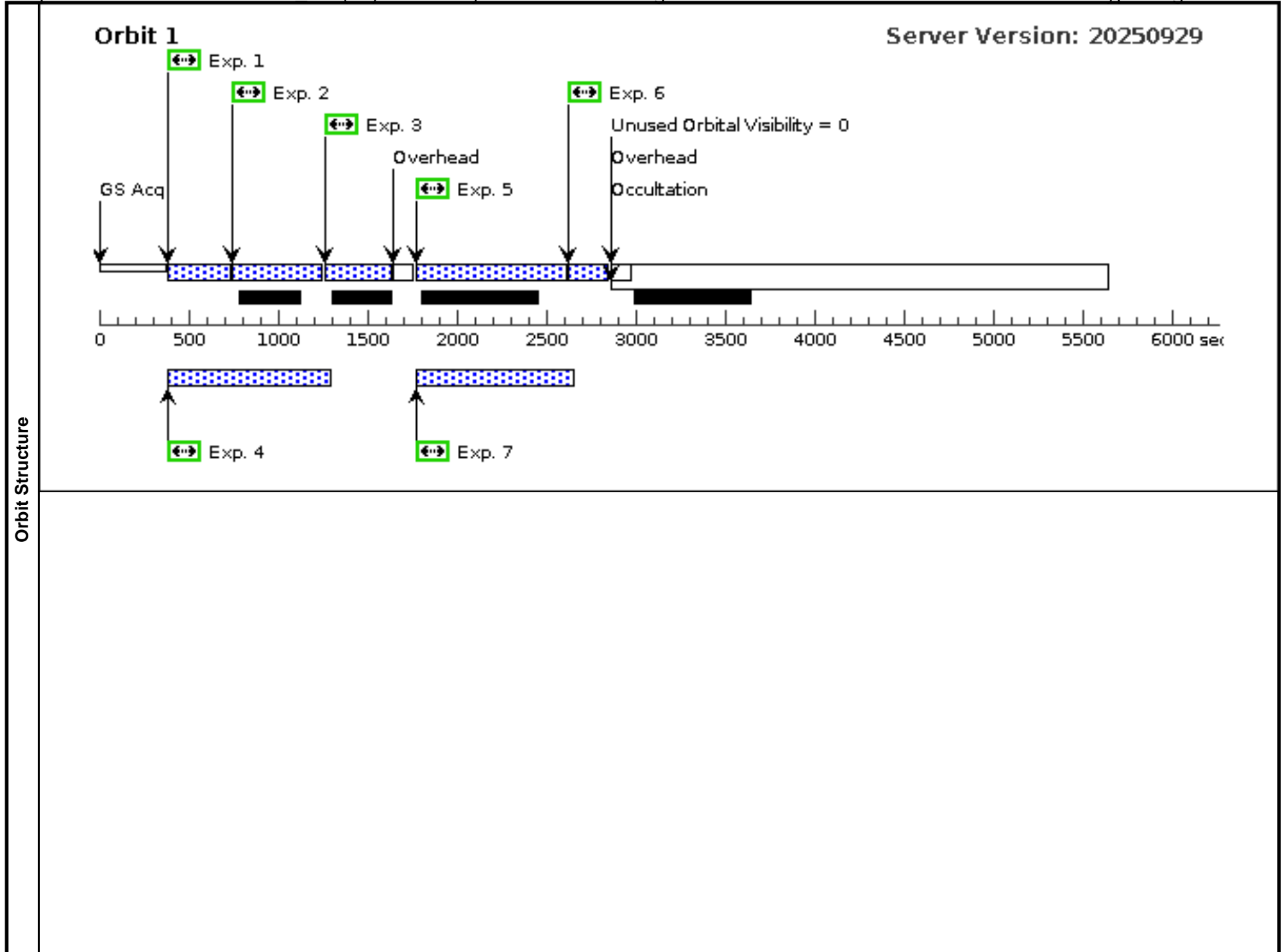
Visit	Proposal 18103, NGC4293-W_BB (12), scheduling Wed Feb 04 15:01:58 GMT 2026 Diagnostic Status: No Diagnostics Scientific Instruments: WFC3/UVIS, ACS/WFC Special Requirements: SCHED 100%; SAME ORIENT AS 11 Comments: NUBVIHa					
	Fixed Targets	#	Name	Target Coordinates	Targ. Coord. Corrections	Fluxes
(12)		NGC4293-W	RA: 12 21 7.9430 (185.2830958d) Dec: +18 22 26.81 (18.37411d) Equinox: J2000		V=11	Reference Frame: ICRS
	Comments: Category=GALAXY Description=[SPIRAL]					

Proposal 18103 - NGC4293-W_BB (12) - Anatomy of a fall: Dissecting the environment-driven transformation of late-type Virgo cluster...

#	Label	Target	Config,Mode,Aperture	Spectral Els.	Opt. Params.	Special Reqs.	Groups	Exp. Time (Total)/[Actual Dur.]	Orbit	
Exposures	1	F814W_OR BIT1	(12) NGC4293-W	WFC3/UVIS, ACCUM, UVIS-FIX	F814W	FLASH=15	POS TARG 0,0	Prime + Parallel Group 1-4 in NGC4293-W_BB (12)	200 Secs (200 Secs) [==>]	[1]
	2	F438W_OR BIT1	(12) NGC4293-W	WFC3/UVIS, ACCUM, UVIS-FIX	F438W	FLASH=17	POS TARG 0,0	Prime + Parallel Group 1-4 in NGC4293-W_BB (12)	348 Secs (348 Secs) [==>]	[1]
	3	F336W_OR BIT1	(12) NGC4293-W	WFC3/UVIS, ACCUM, UVIS-FIX	F336W	FLASH=20	POS TARG 0,0	Prime + Parallel Group 1-4 in NGC4293-W_BB (12)	348 Secs (348 Secs) [==>]	[1]
	4	F814W-PA R_ORBIT1	ANY	ACS/WFC, ACCUM, WFC	F814W			Prime + Parallel Group 1-4 in NGC4293-W_BB (12)	700 Secs (700 Secs) [==>]	[1]
	5	F275W_OR BIT1	(12) NGC4293-W	WFC3/UVIS, ACCUM, UVIS-FIX	F275W	FLASH=20	POS TARG 0,0	Prime + Parallel Group 5-7 in NGC4293-W_BB (12)	695 Secs (695 Secs) [==>]	[1]
	6	F555W_OR BIT1	(12) NGC4293-W	WFC3/UVIS, ACCUM, UVIS-FIX	F555W	FLASH=15	POS TARG 0,0	Prime + Parallel Group 5-7 in NGC4293-W_BB (12)	203 Secs (203 Secs) [==>]	[1]
	7	F606W-PA R_ORBIT1	ANY	ACS/WFC, ACCUM, WFC	F606W			Prime + Parallel Group 5-7 in NGC4293-W_BB (12)	700 Secs (700 Secs) [==>]	[1]
	8	F814W_OR BIT2	(12) NGC4293-W	WFC3/UVIS, ACCUM, UVIS-FIX	F814W	FLASH=15	POS TARG 0.172,1.803	Prime + Parallel Group 8-11 in NGC4293-W_BB (12)	259 Secs (259 Secs) [==>]	[2]
	9	F438W_OR BIT2	(12) NGC4293-W	WFC3/UVIS, ACCUM, UVIS-FIX	F438W	FLASH=17	POS TARG 0.172,1.803	Prime + Parallel Group 8-11 in NGC4293-W_BB (12)	348 Secs (348 Secs) [==>]	[2]
	10	F336W_OR BIT2	(12) NGC4293-W	WFC3/UVIS, ACCUM, UVIS-FIX	F336W	FLASH=20	POS TARG 0.172,1.803	Prime + Parallel Group 8-11 in NGC4293-W_BB (12)	300 Secs (300 Secs) [==>]	[2]
	11	F606W-PA R_ORBIT2	ANY	ACS/WFC, ACCUM, WFC	F606W			Prime + Parallel Group 8-11 in NGC4293-W_BB (12)	900 Secs (900 Secs) [==>]	[2]
	12	F275W_OR BIT2	(12) NGC4293-W	WFC3/UVIS, ACCUM, UVIS-FIX	F275W	FLASH=20	POS TARG 0.172,1.803	Prime + Parallel Group 12-14 in NGC4293-W_BB (12)	668 Secs (668 Secs) [==>]	[2]
	13	F555W_OR BIT2	(12) NGC4293-W	WFC3/UVIS, ACCUM, UVIS-FIX	F555W	FLASH=15	POS TARG 0.172,1.803	Prime + Parallel Group 12-14 in NGC4293-W_BB (12)	212 Secs (212 Secs) [==>]	[2]
	14	F814W-PA R_ORBIT2	ANY	ACS/WFC, ACCUM, WFC	F814W			Prime + Parallel Group 12-14 in NGC4293-W_BB (12)	700 Secs (700 Secs) [==>]	[2]
	15	F814W_OR BIT3	(12) NGC4293-W	WFC3/UVIS, ACCUM, UVIS-FIX	F814W	FLASH=15	POS TARG 0.343,3.606	Prime + Parallel Group 15-18 in NGC4293-W_BB (12)	226 Secs (226 Secs) [==>]	[3]
	16	F438W_OR BIT3	(12) NGC4293-W	WFC3/UVIS, ACCUM, UVIS-FIX	F438W	FLASH=17	POS TARG 0.343,3.606	Prime + Parallel Group 15-18 in NGC4293-W_BB (12)	348 Secs (348 Secs) [==>]	[3]
	17	F336W_OR BIT3	(12) NGC4293-W	WFC3/UVIS, ACCUM, UVIS-FIX	F336W	FLASH=20	POS TARG 0.343,3.606	Prime + Parallel Group 15-18 in NGC4293-W_BB (12)	348 Secs (348 Secs) [==>]	[3]
	18	F814W-PA R_ORBIT3	ANY	ACS/WFC, ACCUM, WFC	F814W			Prime + Parallel Group 15-18 in NGC4293-W_BB (12)	900 Secs (900 Secs) [==>]	[3]

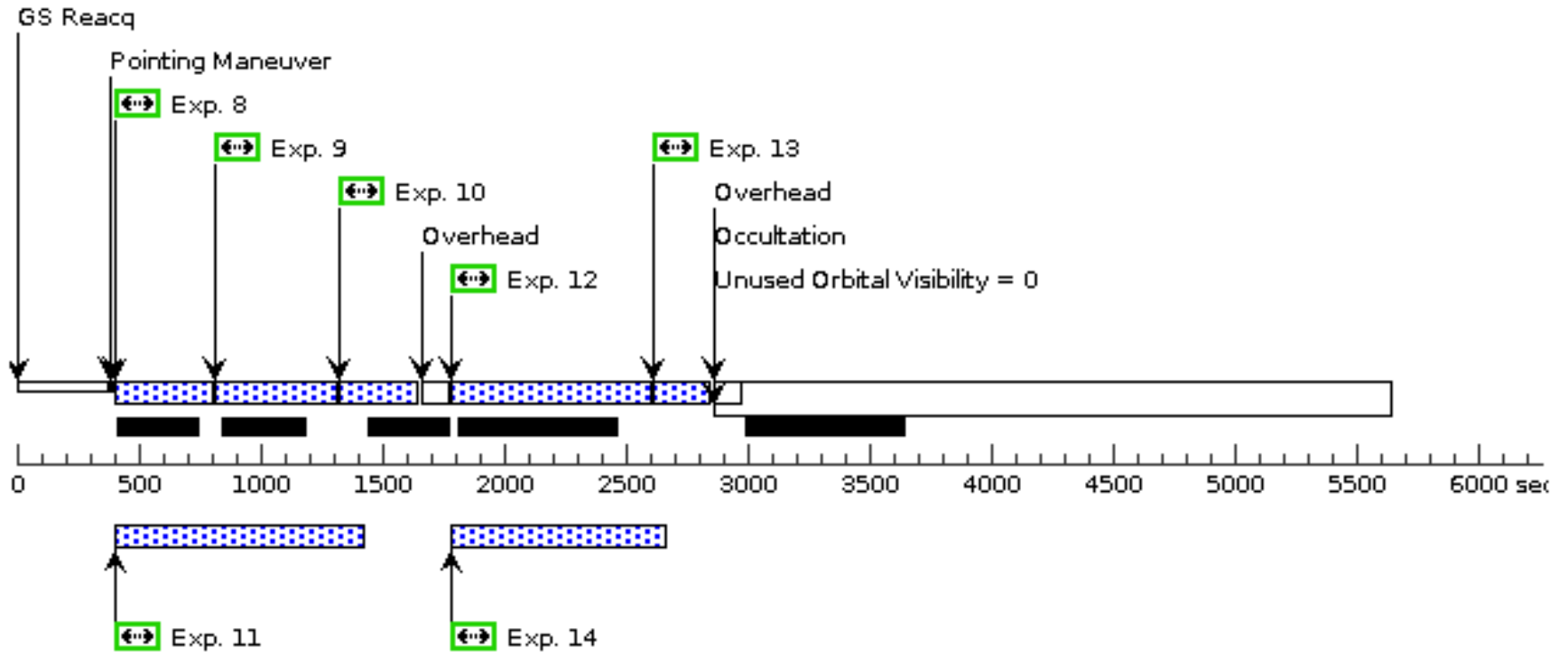
Proposal 18103 - NGC4293-W_BB (12) - Anatomy of a fall: Dissecting the environment-driven transformation of late-type Virgo cluster...

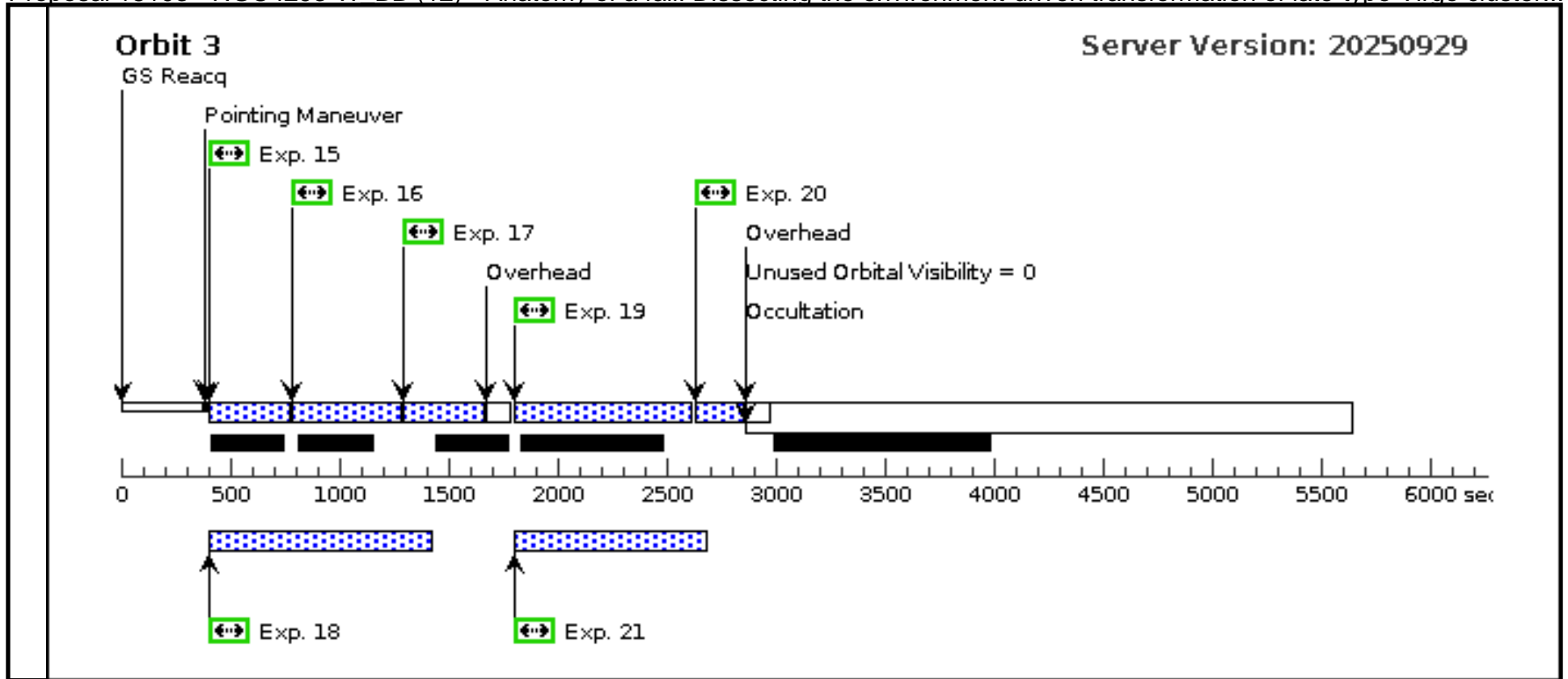
19	F275W_OR BIT3	(12) NGC4293-W	WFC3/UVIS, ACCUM, UVIS-FIX	F275W	FLASH=20	POS TARG 0.343,3. 606	Prime + Parallel Gro up 19-21 in NGC429 3-W_BB (12)	665 Secs (665 Secs) [==>]	[3]
20	F555W_OR BIT3	(12) NGC4293-W	WFC3/UVIS, ACCUM, UVIS-FIX	F555W	FLASH=15	POS TARG 0.343,3. 606	Prime + Parallel Gro up 19-21 in NGC429 3-W_BB (12)	200 Secs (200 Secs) [==>]	[3]
21	F606W-PA R_ORBIT3	ANY	ACS/WFC, ACCUM, WFC	F606W			Prime + Parallel Gro up 19-21 in NGC429 3-W_BB (12)	700 Secs (700 Secs) [==>]	[3]



Orbit 2

Server Version: 20250929





Proposal 18103 - NGC4294_BB (13) - Anatomy of a fall: Dissecting the environment-driven transformation of late-type Virgo cluster ga...

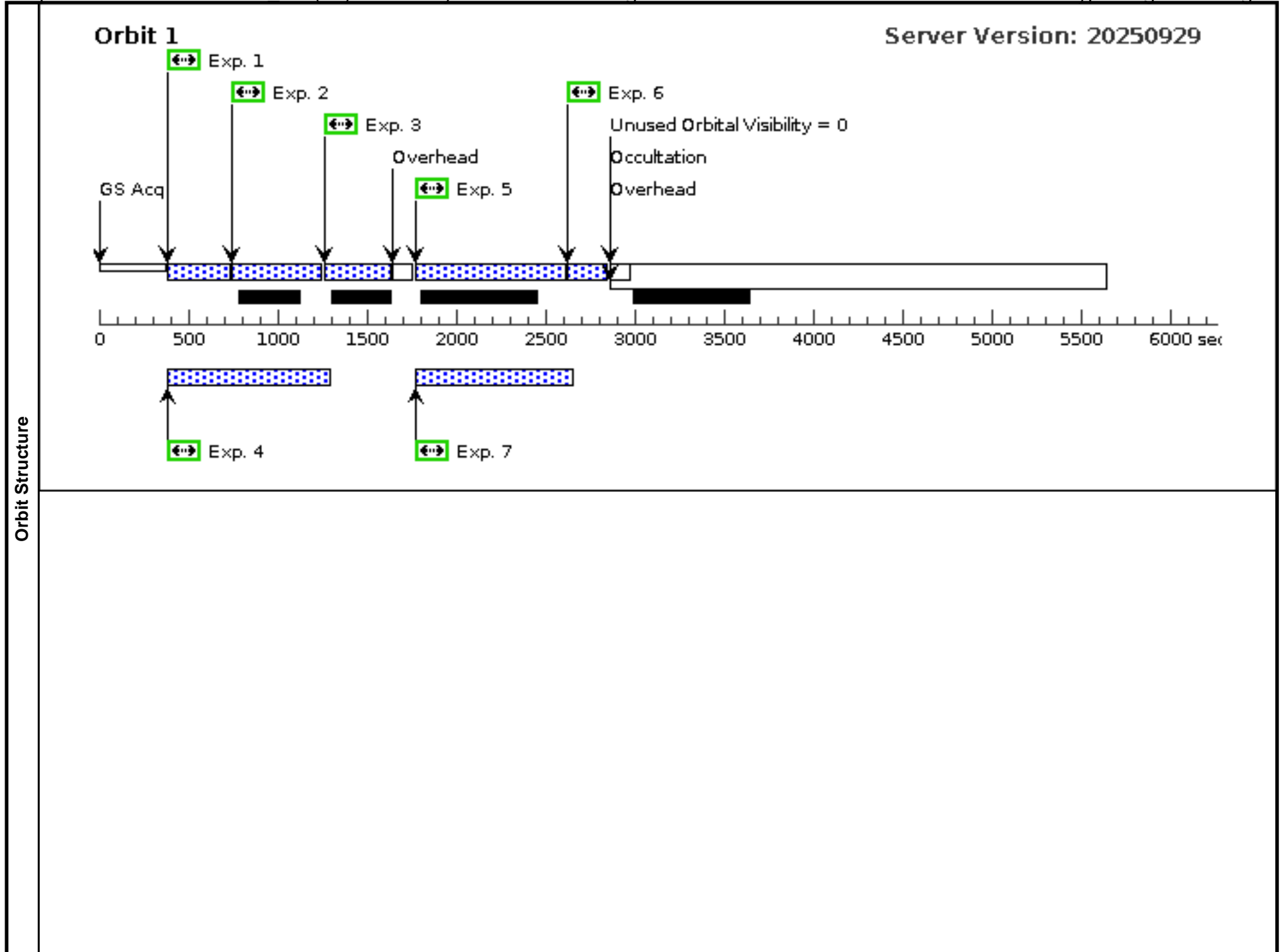
Visit	Proposal 18103, NGC4294_BB (13), scheduling Wed Feb 04 15:01:58 GMT 2026 Diagnostic Status: No Diagnostics Scientific Instruments: WFC3/UVIS, ACS/WFC Special Requirements: SCHED 100%; GROUP 13,50 WITHIN 30D <i>Comments: NUBVIHa</i>					
	Fixed Targets	#	Name	Target Coordinates	Targ. Coord. Corrections	Fluxes
(13)		NGC4294	RA: 12 21 17.7870 (185.3241125d) Dec: +11 30 39.99 (11.51111d) Equinox: J2000		V=11	Reference Frame: ICRS
	<i>Comments:</i> Category=GALAXY Description=[SPIRAL]					

Proposal 18103 - NGC4294 BB (13) - Anatomy of a fall: Dissecting the environment-driven transformation of late-type Virgo cluster ga...

Exposures	#	Label	Target	Config,Mode,Aperture	Spectral Els.	Opt. Params.	Special Reqs.	Groups	Exp. Time (Total)/[Actual Dur.]	Orbit
	1	F814W_OR BIT1	(13) NGC4294	WFC3/UVIS, ACCUM, UVIS-FIX	F814W	FLASH=15	POS TARG 0,0	Prime + Parallel Gro up 1-4 in NGC4294_ BB (13)	200 Secs (200 Secs) [==>]	[1]
	2	F438W_OR BIT1	(13) NGC4294	WFC3/UVIS, ACCUM, UVIS-FIX	F438W	FLASH=17	POS TARG 0,0	Prime + Parallel Gro up 1-4 in NGC4294_ BB (13)	348 Secs (348 Secs) [==>]	[1]
	3	F336W_OR BIT1	(13) NGC4294	WFC3/UVIS, ACCUM, UVIS-FIX	F336W	FLASH=20	POS TARG 0,0	Prime + Parallel Gro up 1-4 in NGC4294_ BB (13)	348 Secs (348 Secs) [==>]	[1]
	4	F814W-PA R_ORBIT1	ANY	ACS/WFC, ACCUM, WFC	F814W			Prime + Parallel Gro up 1-4 in NGC4294_ BB (13)	700 Secs (700 Secs) [==>]	[1]
	5	F275W_OR BIT1	(13) NGC4294	WFC3/UVIS, ACCUM, UVIS-FIX	F275W	FLASH=20	POS TARG 0,0	Prime + Parallel Gro up 5-7 in NGC4294_ BB (13)	695 Secs (695 Secs) [==>]	[1]
	6	F555W_OR BIT1	(13) NGC4294	WFC3/UVIS, ACCUM, UVIS-FIX	F555W	FLASH=15	POS TARG 0,0	Prime + Parallel Gro up 5-7 in NGC4294_ BB (13)	204 Secs (204 Secs) [==>]	[1]
	7	F606W-PA R_ORBIT1	ANY	ACS/WFC, ACCUM, WFC	F606W			Prime + Parallel Gro up 5-7 in NGC4294_ BB (13)	700 Secs (700 Secs) [==>]	[1]
	8	F814W_OR BIT2	(13) NGC4294	WFC3/UVIS, ACCUM, UVIS-FIX	F814W	FLASH=15	POS TARG 0.172,1. 803	Prime + Parallel Gro up 8-11 in NGC4294_ BB (13)	260 Secs (260 Secs) [==>]	[2]
	9	F438W_OR BIT2	(13) NGC4294	WFC3/UVIS, ACCUM, UVIS-FIX	F438W	FLASH=17	POS TARG 0.172,1. 803	Prime + Parallel Gro up 8-11 in NGC4294_ BB (13)	348 Secs (348 Secs) [==>]	[2]
	10	F336W_OR BIT2	(13) NGC4294	WFC3/UVIS, ACCUM, UVIS-FIX	F336W	FLASH=20	POS TARG 0.172,1. 803	Prime + Parallel Gro up 8-11 in NGC4294_ BB (13)	300 Secs (300 Secs) [==>]	[2]
	11	F606W-PA R_ORBIT2	ANY	ACS/WFC, ACCUM, WFC	F606W			Prime + Parallel Gro up 8-11 in NGC4294_ BB (13)	900 Secs (900 Secs) [==>]	[2]
	12	F275W_OR BIT2	(13) NGC4294	WFC3/UVIS, ACCUM, UVIS-FIX	F275W	FLASH=20	POS TARG 0.172,1. 803	Prime + Parallel Gro up 12-14 in NGC429 4_BB (13)	668 Secs (668 Secs) [==>]	[2]
	13	F555W_OR BIT2	(13) NGC4294	WFC3/UVIS, ACCUM, UVIS-FIX	F555W	FLASH=15	POS TARG 0.172,1. 803	Prime + Parallel Gro up 12-14 in NGC429 4_BB (13)	212 Secs (212 Secs) [==>]	[2]
	14	F814W-PA R_ORBIT2	ANY	ACS/WFC, ACCUM, WFC	F814W			Prime + Parallel Gro up 12-14 in NGC429 4_BB (13)	700 Secs (700 Secs) [==>]	[2]
	15	F814W_OR BIT3	(13) NGC4294	WFC3/UVIS, ACCUM, UVIS-FIX	F814W	FLASH=15	POS TARG 0.343,3. 606	Prime + Parallel Gro up 15-18 in NGC429 4_BB (13)	227 Secs (227 Secs) [==>]	[3]
	16	F438W_OR BIT3	(13) NGC4294	WFC3/UVIS, ACCUM, UVIS-FIX	F438W	FLASH=17	POS TARG 0.343,3. 606	Prime + Parallel Gro up 15-18 in NGC429 4_BB (13)	348 Secs (348 Secs) [==>]	[3]
	17	F336W_OR BIT3	(13) NGC4294	WFC3/UVIS, ACCUM, UVIS-FIX	F336W	FLASH=20	POS TARG 0.343,3. 606	Prime + Parallel Gro up 15-18 in NGC429 4_BB (13)	348 Secs (348 Secs) [==>]	[3]
18	F814W-PA R_ORBIT3	ANY	ACS/WFC, ACCUM, WFC	F814W			Prime + Parallel Gro up 15-18 in NGC429 4_BB (13)	900 Secs (900 Secs) [==>]	[3]	

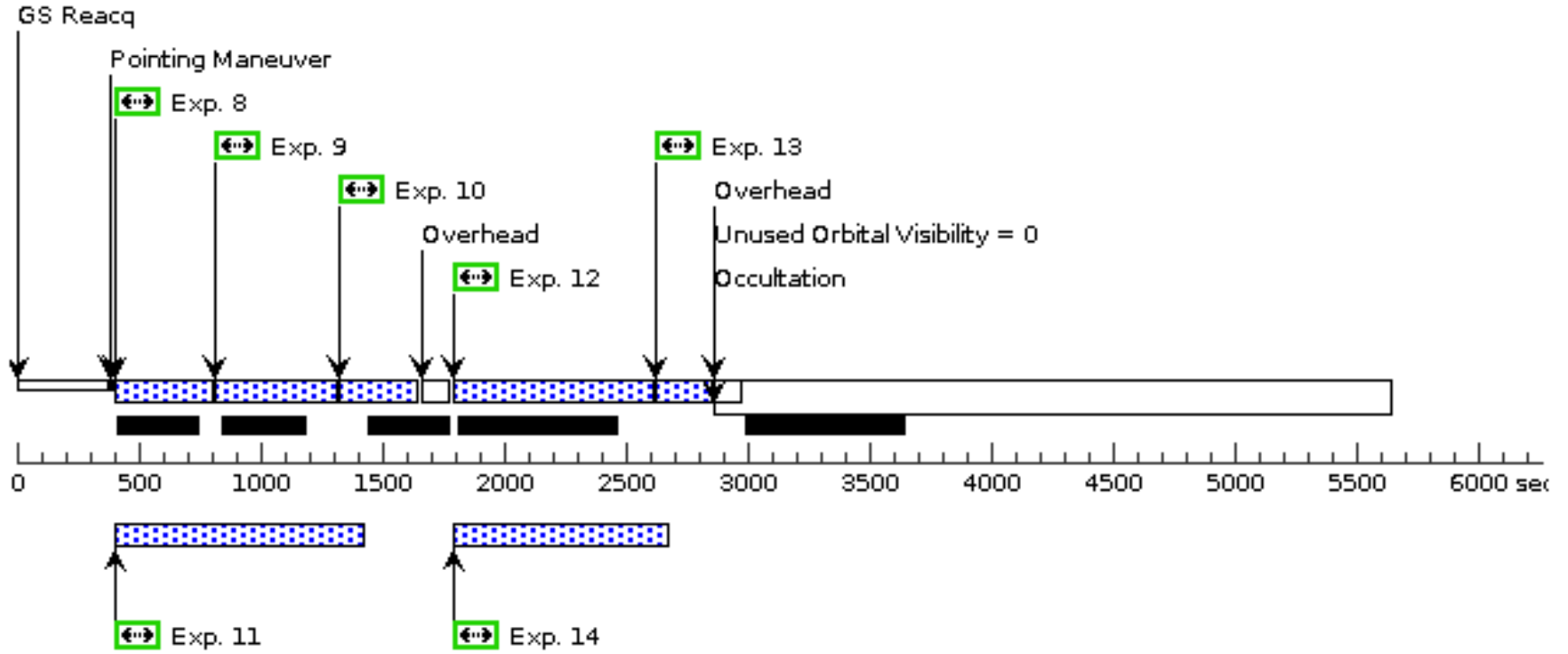
Proposal 18103 - NGC4294 BB (13) - Anatomy of a fall: Dissecting the environment-driven transformation of late-type Virgo cluster ga...

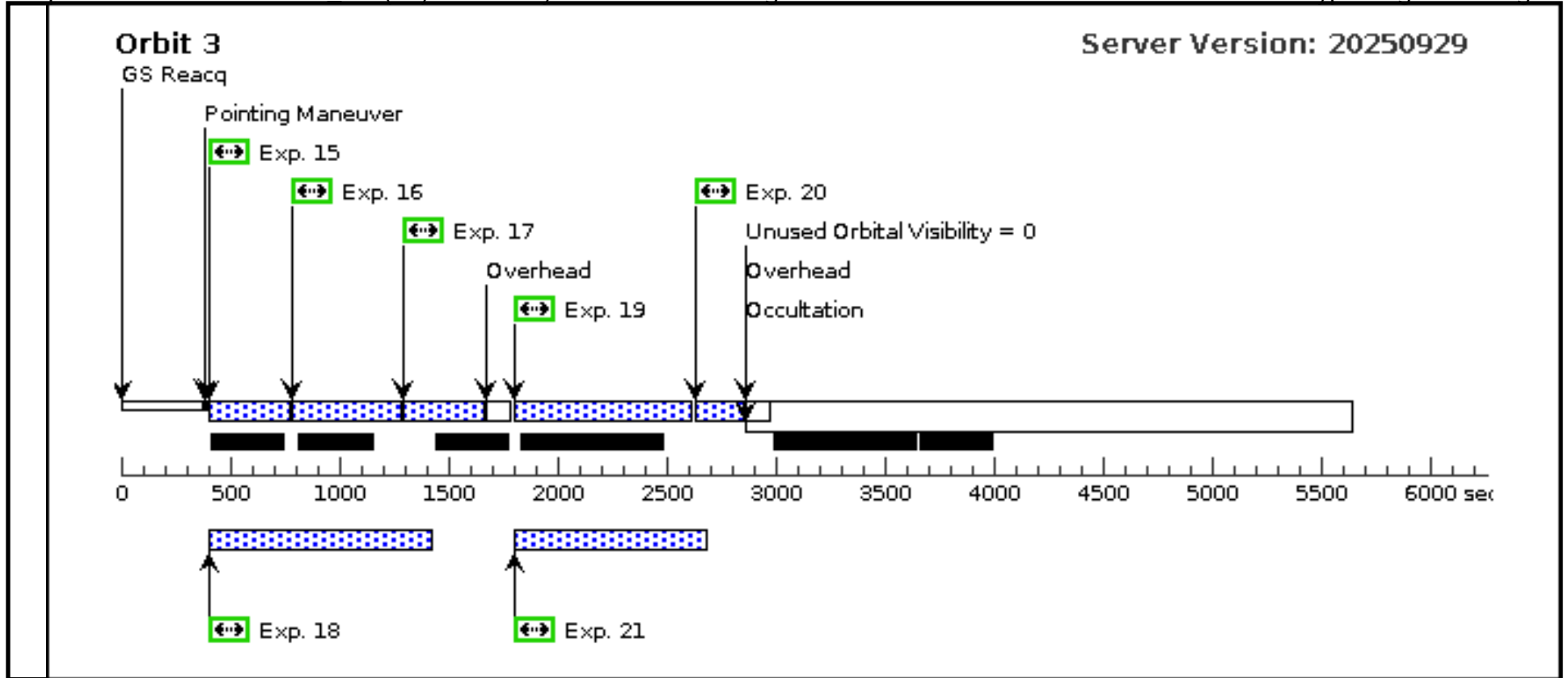
19	F275W_OR BIT3	(13) NGC4294	WFC3/UVIS, ACCUM, UVIS-FIX	F275W	FLASH=20	POS TARG 0.343,3. 606	Prime + Parallel Gro up 19-21 in NGC429 4_BB (13)	665 Secs (665 Secs) [==>]	[3]
20	F555W_OR BIT3	(13) NGC4294	WFC3/UVIS, ACCUM, UVIS-FIX	F555W	FLASH=15	POS TARG 0.343,3. 606	Prime + Parallel Gro up 19-21 in NGC429 4_BB (13)	200 Secs (200 Secs) [==>]	[3]
21	F606W-PA R_ORBIT3	ANY	ACS/WFC, ACCUM, WFC	F606W			Prime + Parallel Gro up 19-21 in NGC429 4_BB (13)	700 Secs (700 Secs) [==>]	[3]



Orbit 2

Server Version: 20250929





Proposal 18103 - NGC4302-N_BB (14) - Anatomy of a fall: Dissecting the environment-driven transformation of late-type Virgo cluster ...

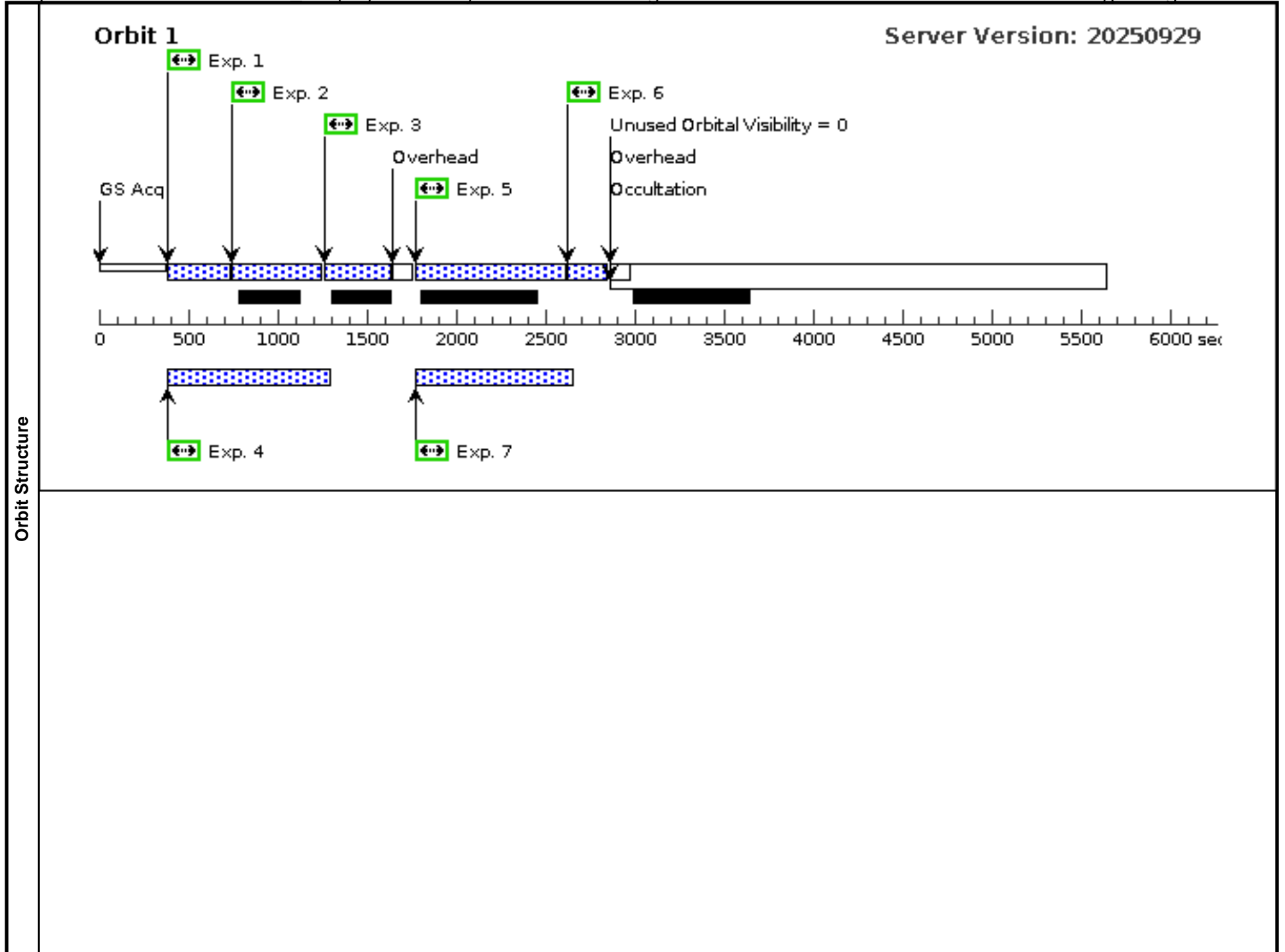
Visit	Proposal 18103, NGC4302-N_BB (14), scheduling Wed Feb 04 15:01:58 GMT 2026 Diagnostic Status: No Diagnostics Scientific Instruments: WFC3/UVIS, ACS/WFC Special Requirements: SCHED 100%; ORIENT 299D TO 306 D; GROUP 14,15,51,52 WITHIN 30D <i>Comments: 4-NUBIHa (has F555 mosaic)</i>					
	Fixed Targets	#	Name	Target Coordinates	Targ. Coord. Corrections	Fluxes
(14)		NGC4302-N	RA: 12 21 42.1144 (185.4254767d) Dec: +14 36 54.97 (14.61527d) Equinox: J2000		V=11	Reference Frame: ICRS
	<i>Comments:</i> Category=GALAXY Description=[SPIRAL]					

Proposal 18103 - NGC4302-N_BB (14) - Anatomy of a fall: Dissecting the environment-driven transformation of late-type Virgo cluster ...

Exposures	#	Label	Target	Config,Mode,Aperture	Spectral Els.	Opt. Params.	Special Reqs.	Groups	Exp. Time (Total)/[Actual Dur.]	Orbit
	1	F814W_OR BIT1	(14) NGC4302-N	WFC3/UVIS, ACCUM, UVIS-FIX	F814W	FLASH=15	POS TARG 0,0	Prime + Parallel Gro up 1-4 in NGC4302- N_BB (14)	200 Secs (200 Secs) [==>]	[1]
	2	F438W_OR BIT1	(14) NGC4302-N	WFC3/UVIS, ACCUM, UVIS-FIX	F438W	FLASH=17	POS TARG 0,0	Prime + Parallel Gro up 1-4 in NGC4302- N_BB (14)	348 Secs (348 Secs) [==>]	[1]
	3	F336W_OR BIT1	(14) NGC4302-N	WFC3/UVIS, ACCUM, UVIS-FIX	F336W	FLASH=20	POS TARG 0,0	Prime + Parallel Gro up 1-4 in NGC4302- N_BB (14)	348 Secs (348 Secs) [==>]	[1]
	4	F814W-PA R_ORBIT1	ANY	ACS/WFC, ACCUM, WFC	F814W			Prime + Parallel Gro up 1-4 in NGC4302- N_BB (14)	700 Secs (700 Secs) [==>]	[1]
	5	F275W_OR BIT1	(14) NGC4302-N	WFC3/UVIS, ACCUM, UVIS-FIX	F275W	FLASH=20	POS TARG 0,0	Prime + Parallel Gro up 5-7 in NGC4302- N_BB (14)	695 Secs (695 Secs) [==>]	[1]
	6	F555W_OR BIT1	(14) NGC4302-N	WFC3/UVIS, ACCUM, UVIS-FIX	F555W	FLASH=15	POS TARG 0,0	Prime + Parallel Gro up 5-7 in NGC4302- N_BB (14)	204 Secs (204 Secs) [==>]	[1]
	7	F606W-PA R_ORBIT1	ANY	ACS/WFC, ACCUM, WFC	F606W			Prime + Parallel Gro up 5-7 in NGC4302- N_BB (14)	700 Secs (700 Secs) [==>]	[1]
	8	F814W_OR BIT2	(14) NGC4302-N	WFC3/UVIS, ACCUM, UVIS-FIX	F814W	FLASH=15	POS TARG 0.172,1. 803	Prime + Parallel Gro up 8-11 in NGC4302- N_BB (14)	260 Secs (260 Secs) [==>]	[2]
	9	F438W_OR BIT2	(14) NGC4302-N	WFC3/UVIS, ACCUM, UVIS-FIX	F438W	FLASH=17	POS TARG 0.172,1. 803	Prime + Parallel Gro up 8-11 in NGC4302- N_BB (14)	348 Secs (348 Secs) [==>]	[2]
	10	F336W_OR BIT2	(14) NGC4302-N	WFC3/UVIS, ACCUM, UVIS-FIX	F336W	FLASH=20	POS TARG 0.172,1. 803	Prime + Parallel Gro up 8-11 in NGC4302- N_BB (14)	300 Secs (300 Secs) [==>]	[2]
	11	F606W-PA R_ORBIT2	ANY	ACS/WFC, ACCUM, WFC	F606W			Prime + Parallel Gro up 8-11 in NGC4302- N_BB (14)	900 Secs (900 Secs) [==>]	[2]
	12	F275W_OR BIT2	(14) NGC4302-N	WFC3/UVIS, ACCUM, UVIS-FIX	F275W	FLASH=20	POS TARG 0.172,1. 803	Prime + Parallel Gro up 12-14 in NGC430 2-N_BB (14)	668 Secs (668 Secs) [==>]	[2]
	13	F555W_OR BIT2	(14) NGC4302-N	WFC3/UVIS, ACCUM, UVIS-FIX	F555W	FLASH=15	POS TARG 0.172,1. 803	Prime + Parallel Gro up 12-14 in NGC430 2-N_BB (14)	212 Secs (212 Secs) [==>]	[2]
	14	F814W-PA R_ORBIT2	ANY	ACS/WFC, ACCUM, WFC	F814W			Prime + Parallel Gro up 12-14 in NGC430 2-N_BB (14)	700 Secs (700 Secs) [==>]	[2]
	15	F814W_OR BIT3	(14) NGC4302-N	WFC3/UVIS, ACCUM, UVIS-FIX	F814W	FLASH=15	POS TARG 0.343,3. 606	Prime + Parallel Gro up 15-18 in NGC430 2-N_BB (14)	227 Secs (227 Secs) [==>]	[3]
	16	F438W_OR BIT3	(14) NGC4302-N	WFC3/UVIS, ACCUM, UVIS-FIX	F438W	FLASH=17	POS TARG 0.343,3. 606	Prime + Parallel Gro up 15-18 in NGC430 2-N_BB (14)	348 Secs (348 Secs) [==>]	[3]
	17	F336W_OR BIT3	(14) NGC4302-N	WFC3/UVIS, ACCUM, UVIS-FIX	F336W	FLASH=20	POS TARG 0.343,3. 606	Prime + Parallel Gro up 15-18 in NGC430 2-N_BB (14)	348 Secs (348 Secs) [==>]	[3]
18	F814W-PA R_ORBIT3	ANY	ACS/WFC, ACCUM, WFC	F814W			Prime + Parallel Gro up 15-18 in NGC430 2-N_BB (14)	900 Secs (900 Secs) [==>]	[3]	

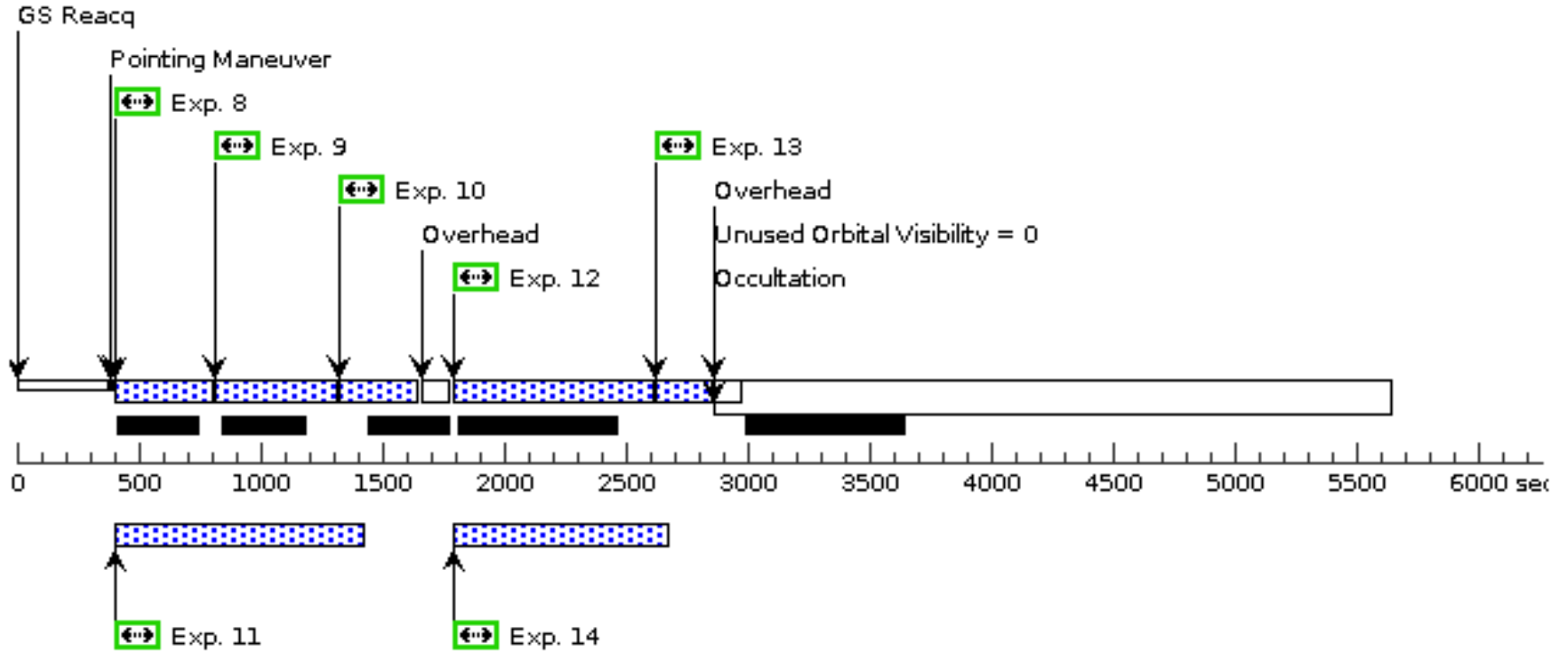
Proposal 18103 - NGC4302-N BB (14) - Anatomy of a fall: Dissecting the environment-driven transformation of late-type Virgo cluster ...

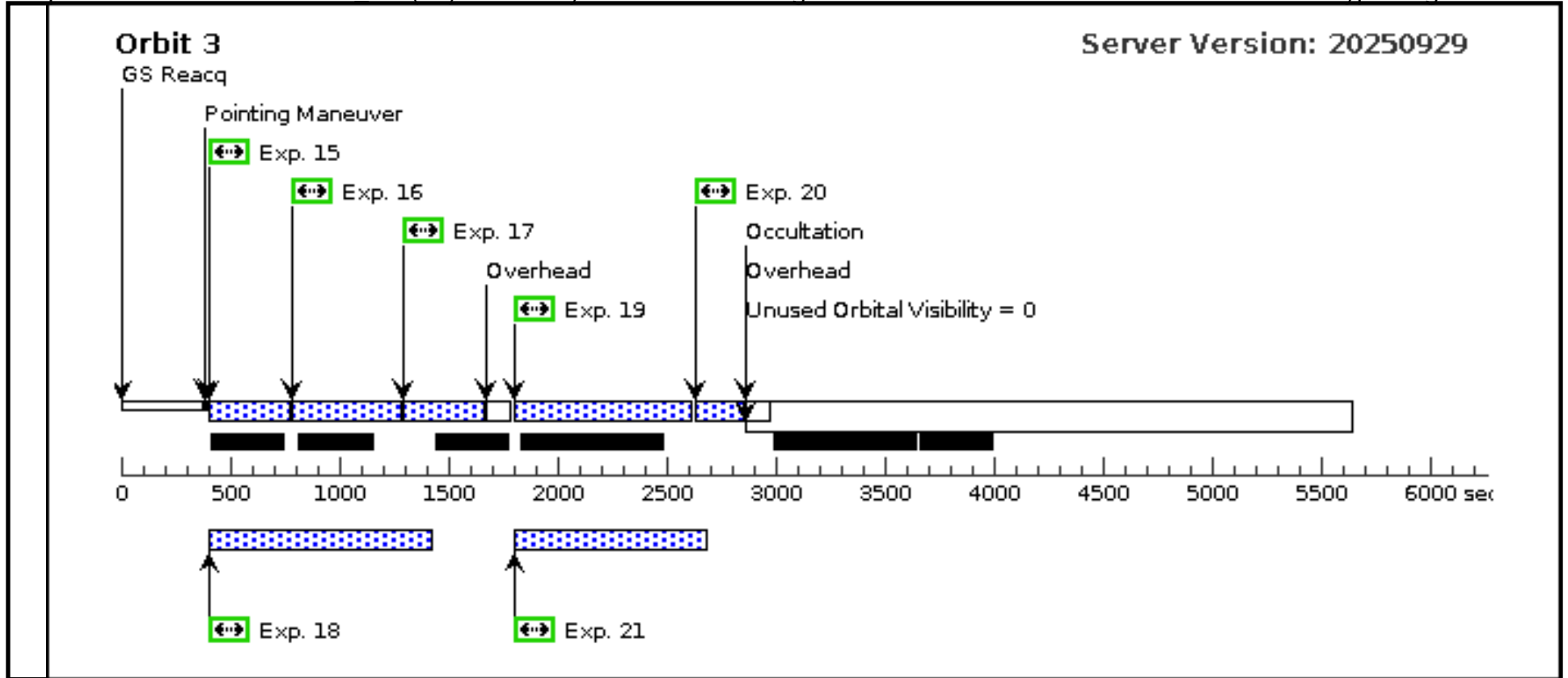
19	F275W_OR BIT3	(14) NGC4302-N	WFC3/UVIS, ACCUM, UVIS-FIX	F275W	FLASH=20	POS TARG 0.343,3. 606	Prime + Parallel Gro up 19-21 in NGC430 2-N_BB (14)	665 Secs (665 Secs) [==>]	[3]
20	F555W_OR BIT3	(14) NGC4302-N	WFC3/UVIS, ACCUM, UVIS-FIX	F555W	FLASH=15	POS TARG 0.343,3. 606	Prime + Parallel Gro up 19-21 in NGC430 2-N_BB (14)	200 Secs (200 Secs) [==>]	[3]
21	F606W-PA R_ORBIT3	ANY	ACS/WFC, ACCUM, WFC	F606W			Prime + Parallel Gro up 19-21 in NGC430 2-N_BB (14)	700 Secs (700 Secs) [==>]	[3]



Orbit 2

Server Version: 20250929





Proposal 18103 - NGC4302-S_BB (15) - Anatomy of a fall: Dissecting the environment-driven transformation of late-type Virgo cluster ...

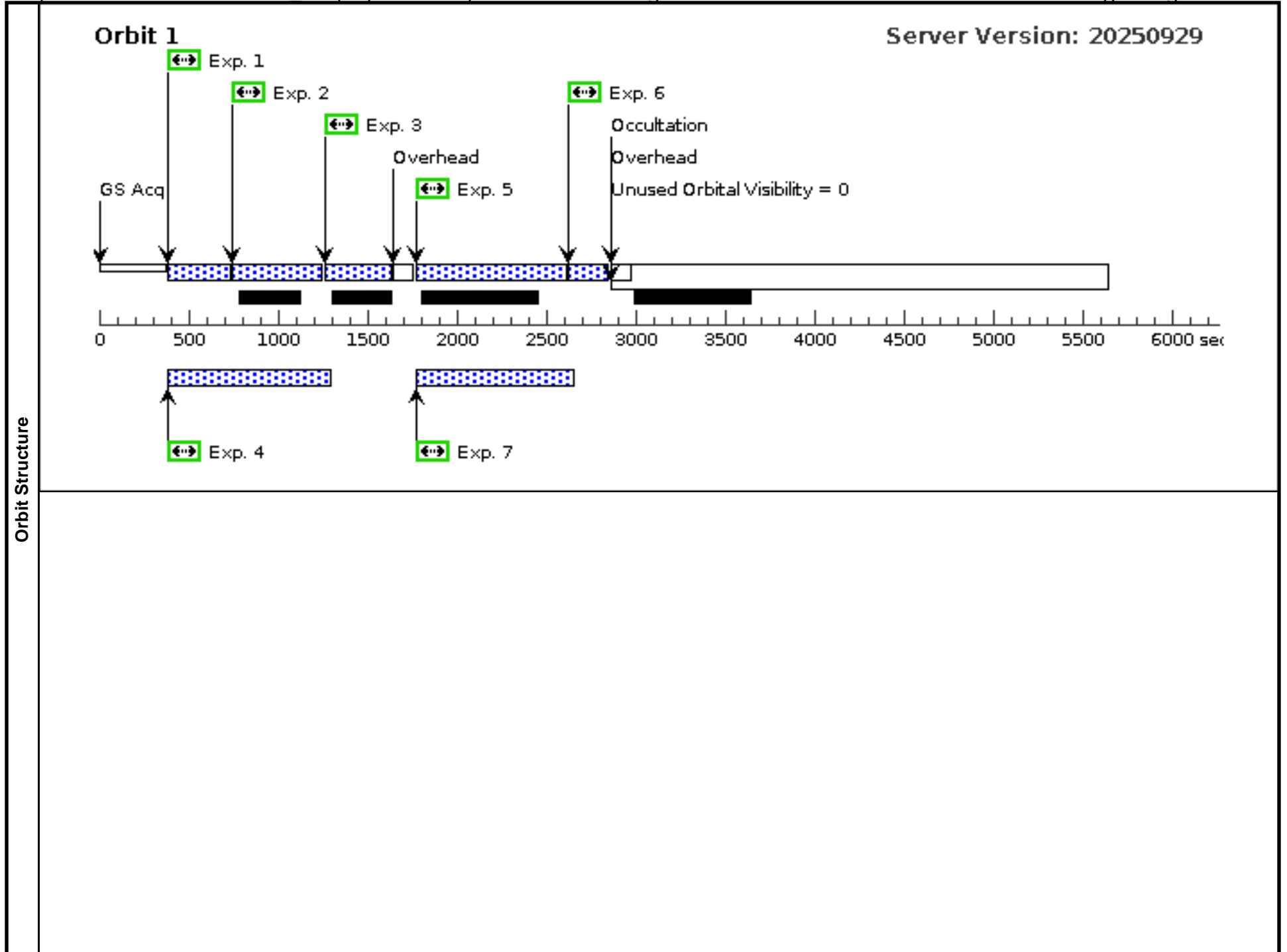
Visit	Proposal 18103, NGC4302-S_BB (15), scheduling Wed Feb 04 15:01:58 GMT 2026 Diagnostic Status: No Diagnostics Scientific Instruments: WFC3/UVIS, ACS/WFC Special Requirements: SCHED 100%; SAME ORIENT AS 14 <i>Comments: 4-NUBIHa</i>					
	Fixed Targets	#	Name	Target Coordinates	Targ. Coord. Corrections	Fluxes
(15)		NGC4302-S	RA: 12 21 44.6178 (185.4359075d) Dec: +14 34 18.51 (14.57181d) Equinox: J2000		V=11	Reference Frame: ICRS
<i>Comments:</i> Category= <i>GALAXY</i> Description= <i>[SPIRAL]</i>						

Proposal 18103 - NGC4302-S_BB (15) - Anatomy of a fall: Dissecting the environment-driven transformation of late-type Virgo cluster ...

Exposures	#	Label	Target	Config,Mode,Aperture	Spectral Els.	Opt. Params.	Special Reqs.	Groups	Exp. Time (Total)/[Actual Dur.]	Orbit
	1	F814W_OR BIT1	(15) NGC4302-S	WFC3/UVIS, ACCUM, UVIS-FIX	F814W	FLASH=15	POS TARG 0,0	Prime + Parallel Gro up 1-4 in NGC4302- S_BB (15)	200 Secs (200 Secs) [==>]	[1]
	2	F438W_OR BIT1	(15) NGC4302-S	WFC3/UVIS, ACCUM, UVIS-FIX	F438W	FLASH=17	POS TARG 0,0	Prime + Parallel Gro up 1-4 in NGC4302- S_BB (15)	348 Secs (348 Secs) [==>]	[1]
	3	F336W_OR BIT1	(15) NGC4302-S	WFC3/UVIS, ACCUM, UVIS-FIX	F336W	FLASH=20	POS TARG 0,0	Prime + Parallel Gro up 1-4 in NGC4302- S_BB (15)	348 Secs (348 Secs) [==>]	[1]
	4	F814W-PA R_ORBIT1	ANY	ACS/WFC, ACCUM, WFC	F814W			Prime + Parallel Gro up 1-4 in NGC4302- S_BB (15)	700 Secs (700 Secs) [==>]	[1]
	5	F275W_OR BIT1	(15) NGC4302-S	WFC3/UVIS, ACCUM, UVIS-FIX	F275W	FLASH=20	POS TARG 0,0	Prime + Parallel Gro up 5-7 in NGC4302- S_BB (15)	695 Secs (695 Secs) [==>]	[1]
	6	F555W_OR BIT1	(15) NGC4302-S	WFC3/UVIS, ACCUM, UVIS-FIX	F555W	FLASH=15	POS TARG 0,0	Prime + Parallel Gro up 5-7 in NGC4302- S_BB (15)	204 Secs (204 Secs) [==>]	[1]
	7	F606W-PA R_ORBIT1	ANY	ACS/WFC, ACCUM, WFC	F606W			Prime + Parallel Gro up 5-7 in NGC4302- S_BB (15)	700 Secs (700 Secs) [==>]	[1]
	8	F814W_OR BIT2	(15) NGC4302-S	WFC3/UVIS, ACCUM, UVIS-FIX	F814W	FLASH=15	POS TARG 0.172,1. 803	Prime + Parallel Gro up 8-11 in NGC4302- S_BB (15)	260 Secs (260 Secs) [==>]	[2]
	9	F438W_OR BIT2	(15) NGC4302-S	WFC3/UVIS, ACCUM, UVIS-FIX	F438W	FLASH=17	POS TARG 0.172,1. 803	Prime + Parallel Gro up 8-11 in NGC4302- S_BB (15)	348 Secs (348 Secs) [==>]	[2]
	10	F336W_OR BIT2	(15) NGC4302-S	WFC3/UVIS, ACCUM, UVIS-FIX	F336W	FLASH=20	POS TARG 0.172,1. 803	Prime + Parallel Gro up 8-11 in NGC4302- S_BB (15)	300 Secs (300 Secs) [==>]	[2]
	11	F606W-PA R_ORBIT2	ANY	ACS/WFC, ACCUM, WFC	F606W			Prime + Parallel Gro up 8-11 in NGC4302- S_BB (15)	900 Secs (900 Secs) [==>]	[2]
	12	F275W_OR BIT2	(15) NGC4302-S	WFC3/UVIS, ACCUM, UVIS-FIX	F275W	FLASH=20	POS TARG 0.172,1. 803	Prime + Parallel Gro up 12-14 in NGC430 2-S_BB (15)	668 Secs (668 Secs) [==>]	[2]
	13	F555W_OR BIT2	(15) NGC4302-S	WFC3/UVIS, ACCUM, UVIS-FIX	F555W	FLASH=15	POS TARG 0.172,1. 803	Prime + Parallel Gro up 12-14 in NGC430 2-S_BB (15)	212 Secs (212 Secs) [==>]	[2]
	14	F814W-PA R_ORBIT2	ANY	ACS/WFC, ACCUM, WFC	F814W			Prime + Parallel Gro up 12-14 in NGC430 2-S_BB (15)	700 Secs (700 Secs) [==>]	[2]
	15	F814W_OR BIT3	(15) NGC4302-S	WFC3/UVIS, ACCUM, UVIS-FIX	F814W	FLASH=15	POS TARG 0.343,3. 606	Prime + Parallel Gro up 15-18 in NGC430 2-S_BB (15)	227 Secs (227 Secs) [==>]	[3]
	16	F438W_OR BIT3	(15) NGC4302-S	WFC3/UVIS, ACCUM, UVIS-FIX	F438W	FLASH=17	POS TARG 0.343,3. 606	Prime + Parallel Gro up 15-18 in NGC430 2-S_BB (15)	348 Secs (348 Secs) [==>]	[3]
	17	F336W_OR BIT3	(15) NGC4302-S	WFC3/UVIS, ACCUM, UVIS-FIX	F336W	FLASH=20	POS TARG 0.343,3. 606	Prime + Parallel Gro up 15-18 in NGC430 2-S_BB (15)	348 Secs (348 Secs) [==>]	[3]
18	F814W-PA R_ORBIT3	ANY	ACS/WFC, ACCUM, WFC	F814W			Prime + Parallel Gro up 15-18 in NGC430 2-S_BB (15)	900 Secs (900 Secs) [==>]	[3]	

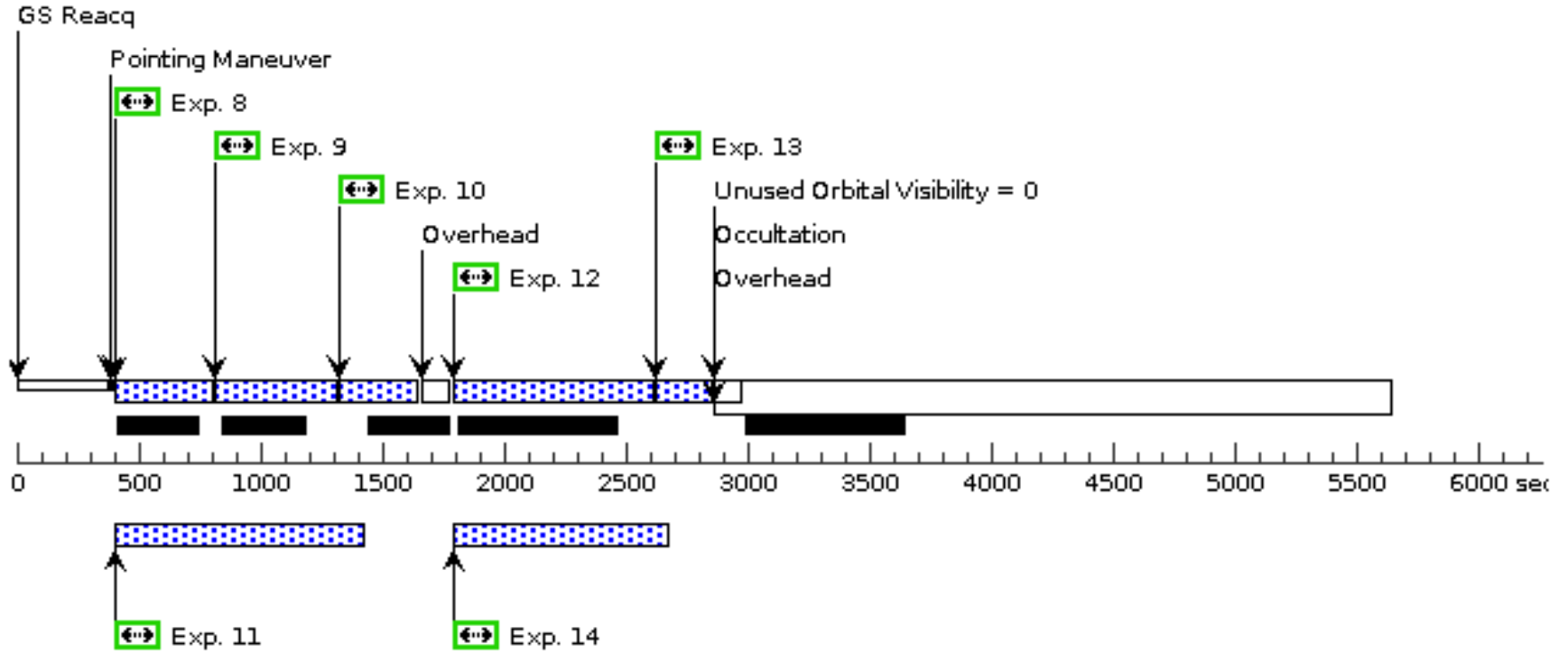
Proposal 18103 - NGC4302-S BB (15) - Anatomy of a fall: Dissecting the environment-driven transformation of late-type Virgo cluster ...

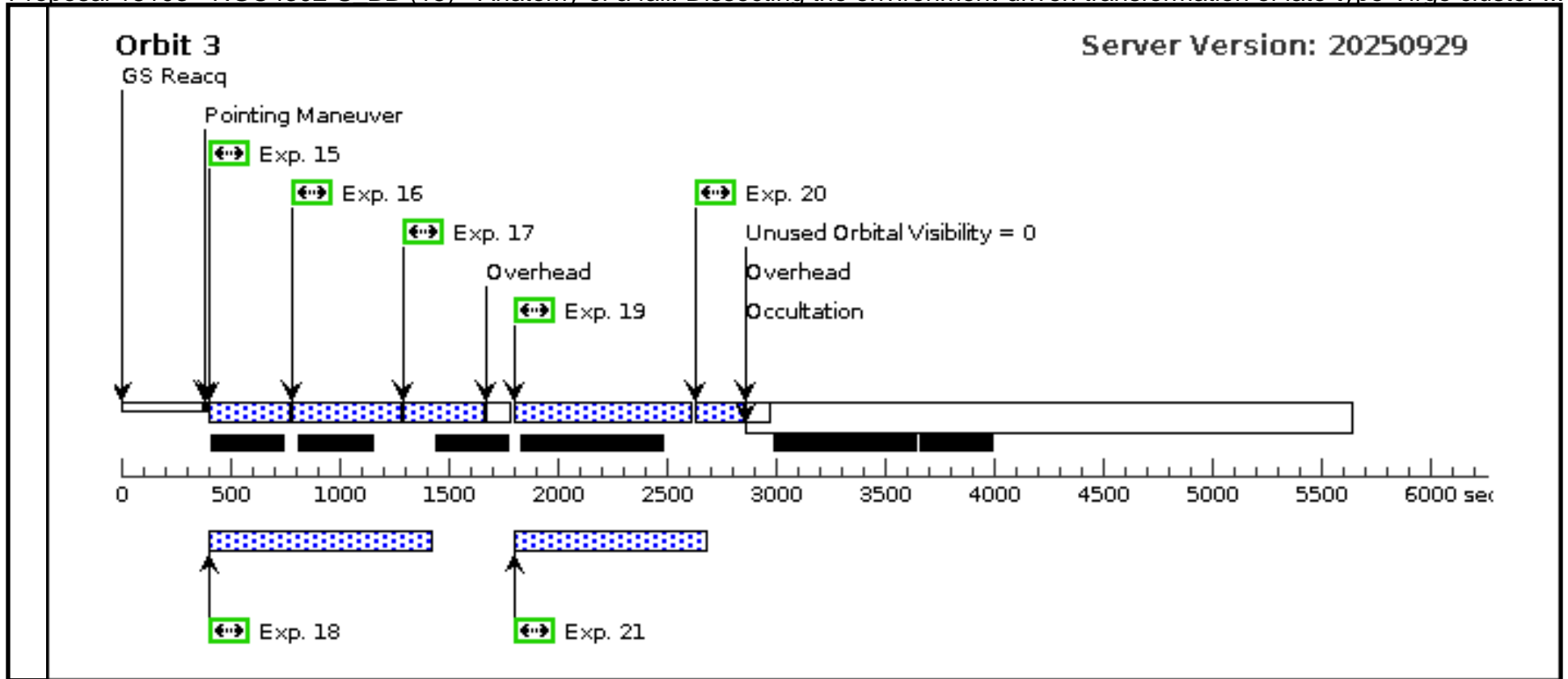
19	F275W_OR BIT3	(15) NGC4302-S	WFC3/UVIS, ACCUM, UVIS-FIX	F275W	FLASH=20	POS TARG 0.343,3. 606	Prime + Parallel Gro up 19-21 in NGC430 2-S_BB (15)	665 Secs (665 Secs) [==>]	[3]
20	F555W_OR BIT3	(15) NGC4302-S	WFC3/UVIS, ACCUM, UVIS-FIX	F555W	FLASH=15	POS TARG 0.343,3. 606	Prime + Parallel Gro up 19-21 in NGC430 2-S_BB (15)	200 Secs (200 Secs) [==>]	[3]
21	F606W-PA R_ORBIT3	ANY	ACS/WFC, ACCUM, WFC	F606W			Prime + Parallel Gro up 19-21 in NGC430 2-S_BB (15)	700 Secs (700 Secs) [==>]	[3]



Orbit 2

Server Version: 20250929





Proposal 18103 - NGC4330_BB (16) - Anatomy of a fall: Dissecting the environment-driven transformation of late-type Virgo cluster ga...

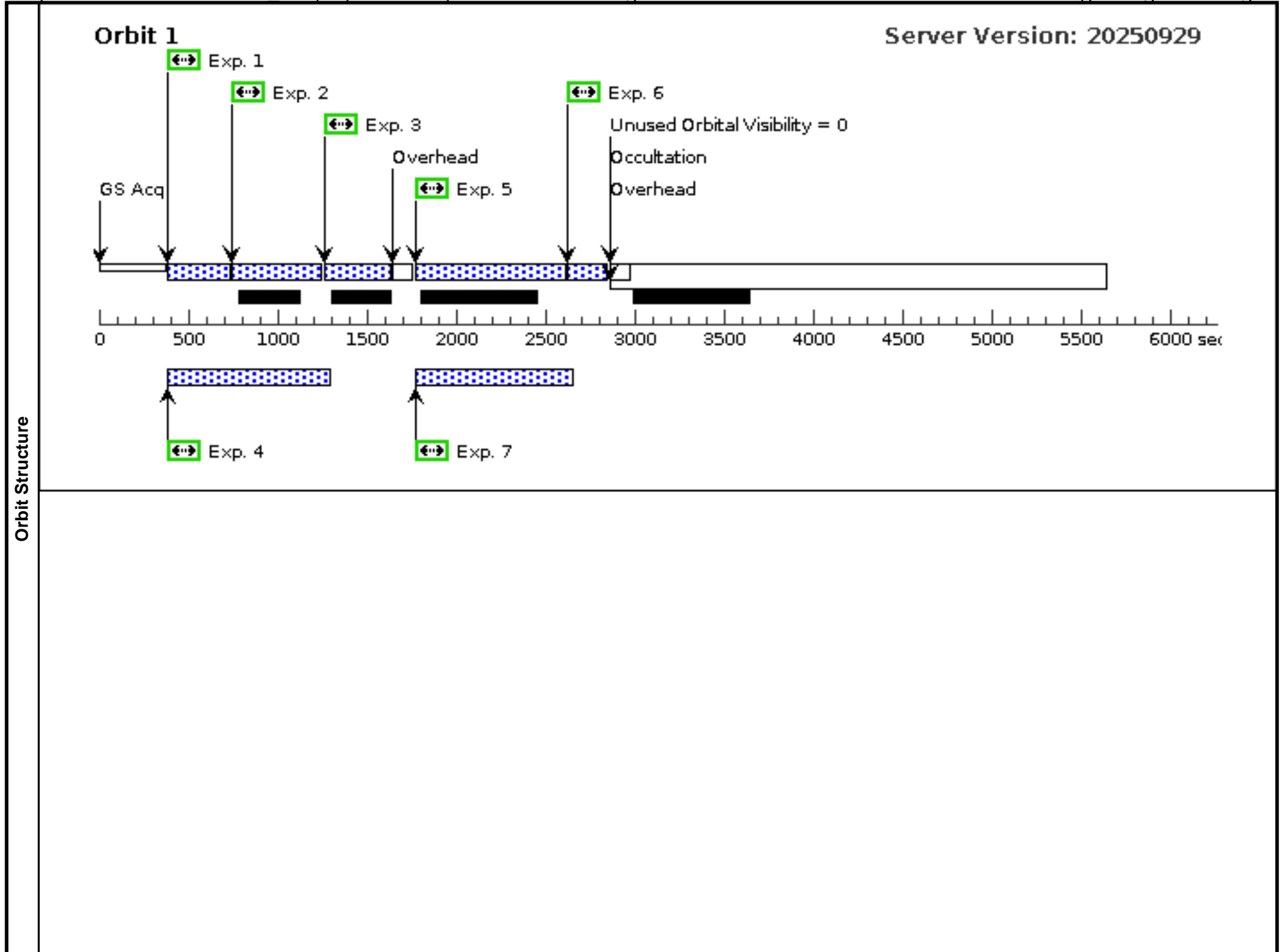
Visit	Proposal 18103, NGC4330_BB (16), scheduling Wed Feb 04 15:01:58 GMT 2026 Diagnostic Status: No Diagnostics Scientific Instruments: WFC3/UVIS, ACS/WFC Special Requirements: SCHED 100%; ORIENT 228D TO 232 D; GROUP 16,53 WITHIN 30D Comments: NUBVIHa					
	Fixed Targets	#	Name	Target Coordinates	Targ. Coord. Corrections	Fluxes
(16)		NGC4330	RA: 12 23 16.7185 (185.8196604d) Dec: +11 21 34.01 (11.35945d) Equinox: J2000		V=11	Reference Frame: ICRS
Comments: Category=GALAXY Description=[SPIRAL]						

Proposal 18103 - NGC4330 BB (16) - Anatomy of a fall: Dissecting the environment-driven transformation of late-type Virgo cluster ga...

Exposures	#	Label	Target	Config,Mode,Aperture	Spectral Els.	Opt. Params.	Special Reqs.	Groups	Exp. Time (Total)/[Actual Dur.]	Orbit
	1	F814W_OR BIT1	(16) NGC4330	WFC3/UVIS, ACCUM, UVIS-FIX	F814W	FLASH=15	POS TARG 0,0	Prime + Parallel Gro up 1-4 in NGC4330_ BB (16)	200 Secs (200 Secs) [==>]	[1]
	2	F438W_OR BIT1	(16) NGC4330	WFC3/UVIS, ACCUM, UVIS-FIX	F438W	FLASH=17	POS TARG 0,0	Prime + Parallel Gro up 1-4 in NGC4330_ BB (16)	348 Secs (348 Secs) [==>]	[1]
	3	F336W_OR BIT1	(16) NGC4330	WFC3/UVIS, ACCUM, UVIS-FIX	F336W	FLASH=20	POS TARG 0,0	Prime + Parallel Gro up 1-4 in NGC4330_ BB (16)	348 Secs (348 Secs) [==>]	[1]
	4	F814W-PA R_ORBIT1	ANY	ACS/WFC, ACCUM, WFC	F814W			Prime + Parallel Gro up 1-4 in NGC4330_ BB (16)	700 Secs (700 Secs) [==>]	[1]
	5	F275W_OR BIT1	(16) NGC4330	WFC3/UVIS, ACCUM, UVIS-FIX	F275W	FLASH=20	POS TARG 0,0	Prime + Parallel Gro up 5-7 in NGC4330_ BB (16)	695 Secs (695 Secs) [==>]	[1]
	6	F555W_OR BIT1	(16) NGC4330	WFC3/UVIS, ACCUM, UVIS-FIX	F555W	FLASH=15	POS TARG 0,0	Prime + Parallel Gro up 5-7 in NGC4330_ BB (16)	204 Secs (204 Secs) [==>]	[1]
	7	F606W-PA R_ORBIT1	ANY	ACS/WFC, ACCUM, WFC	F606W			Prime + Parallel Gro up 5-7 in NGC4330_ BB (16)	700 Secs (700 Secs) [==>]	[1]
	8	F814W_OR BIT2	(16) NGC4330	WFC3/UVIS, ACCUM, UVIS-FIX	F814W	FLASH=15	POS TARG 0.172,1. 803	Prime + Parallel Gro up 8-11 in NGC4330_ BB (16)	260 Secs (260 Secs) [==>]	[2]
	9	F438W_OR BIT2	(16) NGC4330	WFC3/UVIS, ACCUM, UVIS-FIX	F438W	FLASH=17	POS TARG 0.172,1. 803	Prime + Parallel Gro up 8-11 in NGC4330_ BB (16)	348 Secs (348 Secs) [==>]	[2]
	10	F336W_OR BIT2	(16) NGC4330	WFC3/UVIS, ACCUM, UVIS-FIX	F336W	FLASH=20	POS TARG 0.172,1. 803	Prime + Parallel Gro up 8-11 in NGC4330_ BB (16)	300 Secs (300 Secs) [==>]	[2]
	11	F606W-PA R_ORBIT2	ANY	ACS/WFC, ACCUM, WFC	F606W			Prime + Parallel Gro up 8-11 in NGC4330_ BB (16)	900 Secs (900 Secs) [==>]	[2]
	12	F275W_OR BIT2	(16) NGC4330	WFC3/UVIS, ACCUM, UVIS-FIX	F275W	FLASH=20	POS TARG 0.172,1. 803	Prime + Parallel Gro up 12-14 in NGC433 0_BB (16)	668 Secs (668 Secs) [==>]	[2]
	13	F555W_OR BIT2	(16) NGC4330	WFC3/UVIS, ACCUM, UVIS-FIX	F555W	FLASH=15	POS TARG 0.172,1. 803	Prime + Parallel Gro up 12-14 in NGC433 0_BB (16)	212 Secs (212 Secs) [==>]	[2]
	14	F814W-PA R_ORBIT2	ANY	ACS/WFC, ACCUM, WFC	F814W			Prime + Parallel Gro up 12-14 in NGC433 0_BB (16)	700 Secs (700 Secs) [==>]	[2]
	15	F814W_OR BIT3	(16) NGC4330	WFC3/UVIS, ACCUM, UVIS-FIX	F814W	FLASH=15	POS TARG 0.343,3. 606	Prime + Parallel Gro up 15-18 in NGC433 0_BB (16)	227 Secs (227 Secs) [==>]	[3]
	16	F438W_OR BIT3	(16) NGC4330	WFC3/UVIS, ACCUM, UVIS-FIX	F438W	FLASH=17	POS TARG 0.343,3. 606	Prime + Parallel Gro up 15-18 in NGC433 0_BB (16)	348 Secs (348 Secs) [==>]	[3]
	17	F336W_OR BIT3	(16) NGC4330	WFC3/UVIS, ACCUM, UVIS-FIX	F336W	FLASH=20	POS TARG 0.343,3. 606	Prime + Parallel Gro up 15-18 in NGC433 0_BB (16)	348 Secs (348 Secs) [==>]	[3]
18	F814W-PA R_ORBIT3	ANY	ACS/WFC, ACCUM, WFC	F814W			Prime + Parallel Gro up 15-18 in NGC433 0_BB (16)	900 Secs (900 Secs) [==>]	[3]	

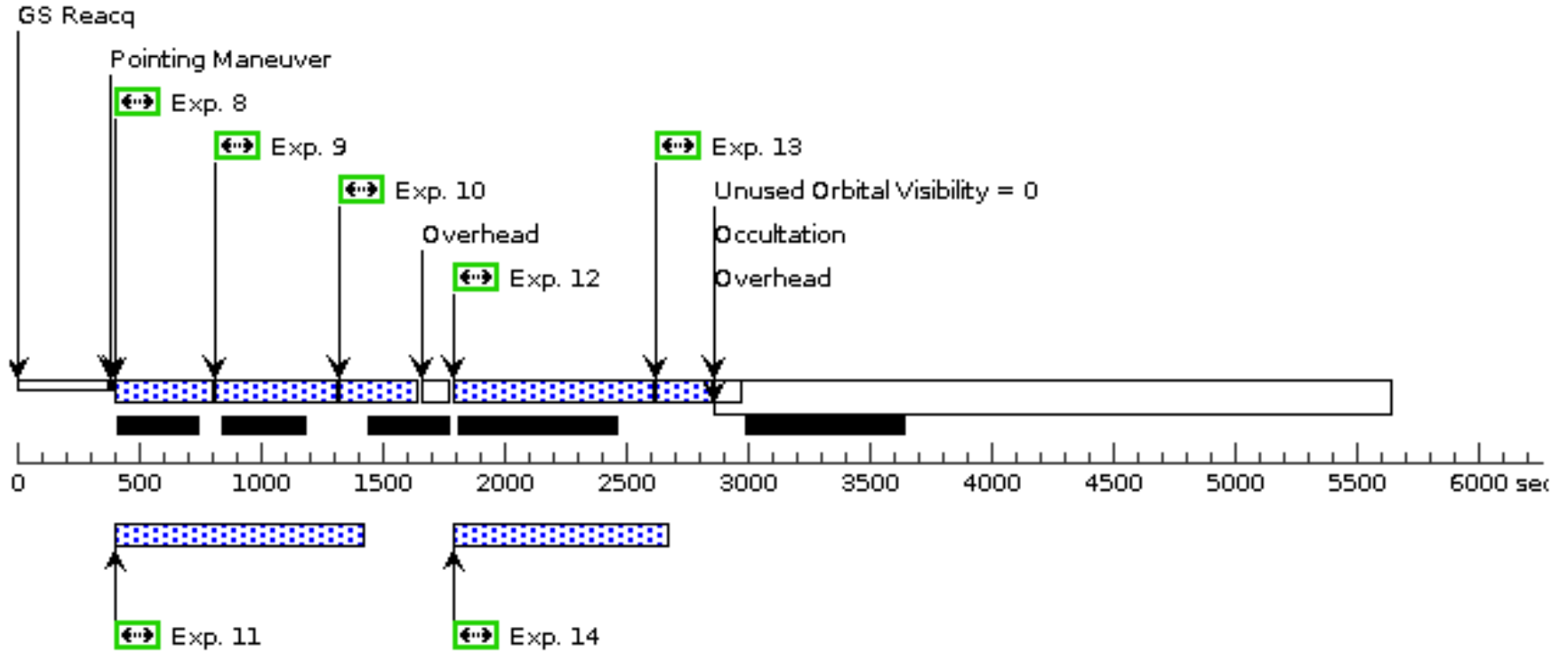
Proposal 18103 - NGC4330 BB (16) - Anatomy of a fall: Dissecting the environment-driven transformation of late-type Virgo cluster ga...

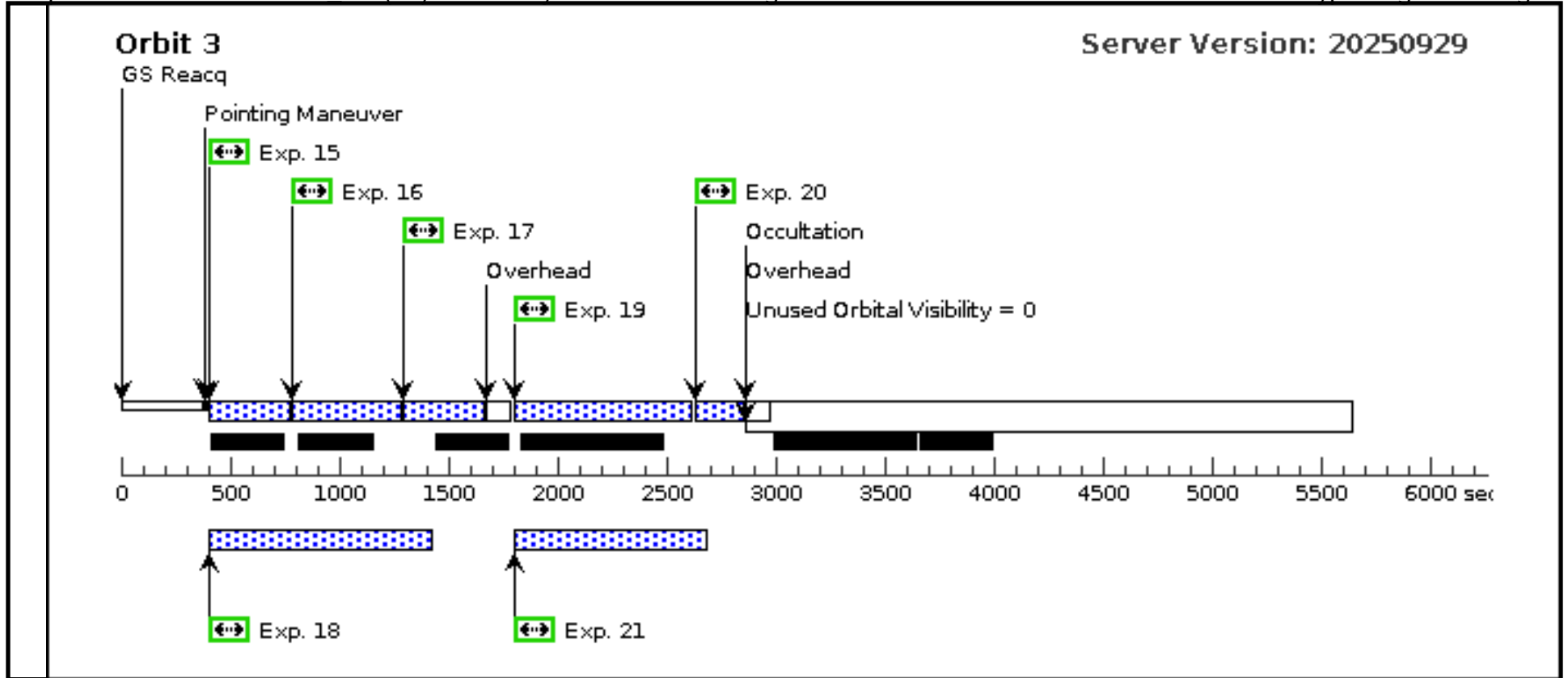
19	F275W_OR BIT3	(16) NGC4330	WFC3/UVIS, ACCUM, UVIS-FIX	F275W	FLASH=20	POS TARG 0.343,3. 606	Prime + Parallel Gro up 19-21 in NGC433 0_BB (16)	665 Secs (665 Secs) [==>]	[3]
20	F555W_OR BIT3	(16) NGC4330	WFC3/UVIS, ACCUM, UVIS-FIX	F555W	FLASH=15	POS TARG 0.343,3. 606	Prime + Parallel Gro up 19-21 in NGC433 0_BB (16)	200 Secs (200 Secs) [==>]	[3]
21	F606W-PA R_ORBIT3	ANY	ACS/WFC, ACCUM, WFC	F606W			Prime + Parallel Gro up 19-21 in NGC433 0_BB (16)	700 Secs (700 Secs) [==>]	[3]



Orbit 2

Server Version: 20250929





Proposal 18103 - NGC4351_BB (17) - Anatomy of a fall: Dissecting the environment-driven transformation of late-type Virgo cluster ga...

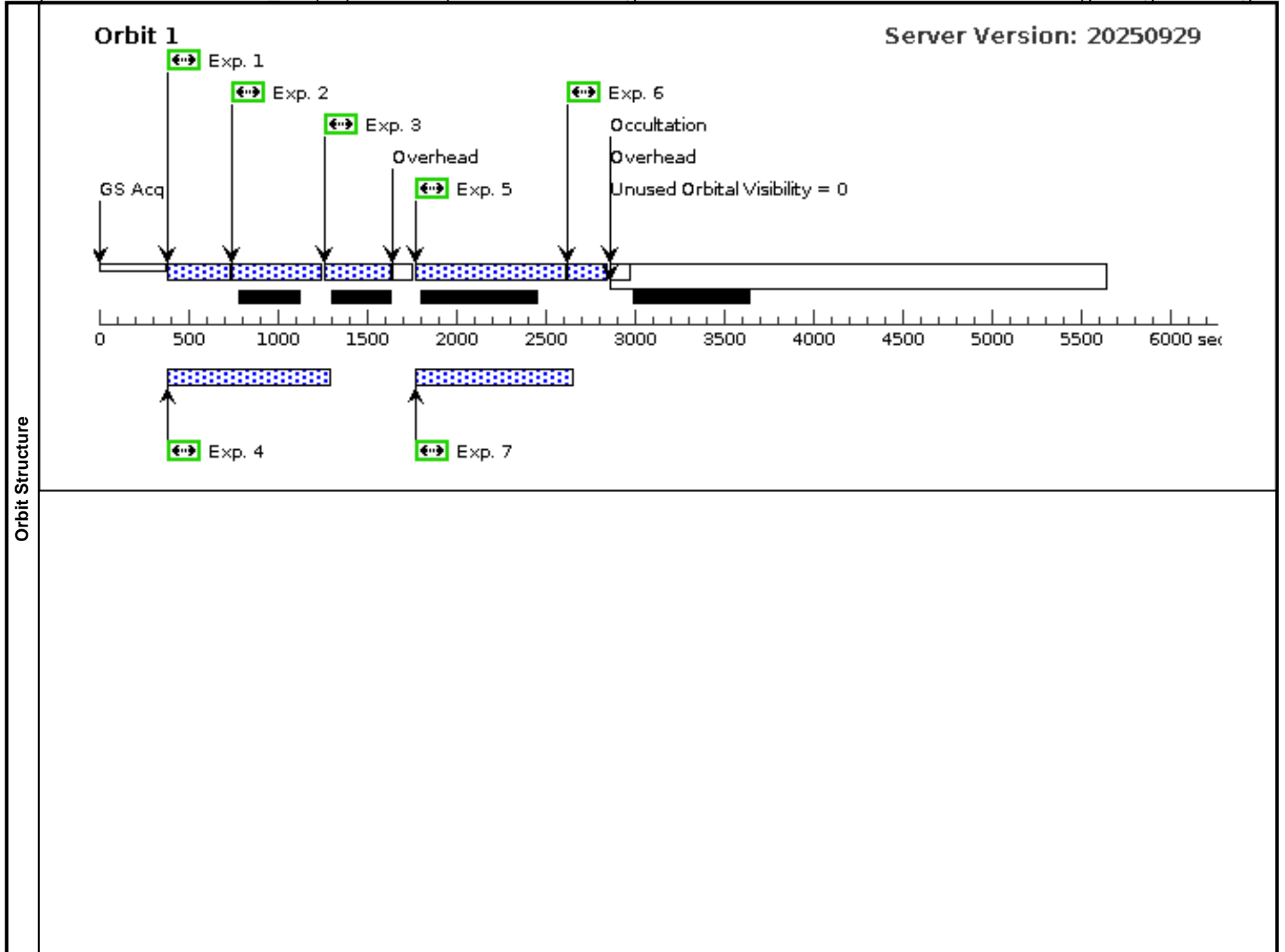
Visit	Proposal 18103, NGC4351_BB (17), scheduling Wed Feb 04 15:01:58 GMT 2026 Diagnostic Status: No Diagnostics Scientific Instruments: WFC3/UVIS, ACS/WFC Special Requirements: SCHED 100%; GROUP 17,54 WITHIN 30D Comments: NUBVIHa					
	Fixed Targets	#	Name	Target Coordinates	Targ. Coord. Corrections	Fluxes
(17)		NGC4351	RA: 12 24 1.5600 (186.0065000d) Dec: +12 12 13.18 (12.20366d) Equinox: J2000		V=11	Reference Frame: ICRS
	Comments: Category=GALAXY Description=[SPIRAL]					

Proposal 18103 - NGC4351 BB (17) - Anatomy of a fall: Dissecting the environment-driven transformation of late-type Virgo cluster ga...

Exposures	#	Label	Target	Config,Mode,Aperture	Spectral Els.	Opt. Params.	Special Reqs.	Groups	Exp. Time (Total)/[Actual Dur.]	Orbit
	1	F814W_OR BIT1	(17) NGC4351	WFC3/UVIS, ACCUM, UVIS-FIX	F814W	FLASH=15	POS TARG 0,0	Prime + Parallel Group 1-4 in NGC4351_BB (17)	200 Secs (200 Secs) [==>]	[1]
	2	F438W_OR BIT1	(17) NGC4351	WFC3/UVIS, ACCUM, UVIS-FIX	F438W	FLASH=17	POS TARG 0,0	Prime + Parallel Group 1-4 in NGC4351_BB (17)	348 Secs (348 Secs) [==>]	[1]
	3	F336W_OR BIT1	(17) NGC4351	WFC3/UVIS, ACCUM, UVIS-FIX	F336W	FLASH=20	POS TARG 0,0	Prime + Parallel Group 1-4 in NGC4351_BB (17)	348 Secs (348 Secs) [==>]	[1]
	4	F814W-PA R_ORBIT1	ANY	ACS/WFC, ACCUM, WFC	F814W			Prime + Parallel Group 1-4 in NGC4351_BB (17)	700 Secs (700 Secs) [==>]	[1]
	5	F275W_OR BIT1	(17) NGC4351	WFC3/UVIS, ACCUM, UVIS-FIX	F275W	FLASH=20	POS TARG 0,0	Prime + Parallel Group 5-7 in NGC4351_BB (17)	695 Secs (695 Secs) [==>]	[1]
	6	F555W_OR BIT1	(17) NGC4351	WFC3/UVIS, ACCUM, UVIS-FIX	F555W	FLASH=15	POS TARG 0,0	Prime + Parallel Group 5-7 in NGC4351_BB (17)	204 Secs (204 Secs) [==>]	[1]
	7	F606W-PA R_ORBIT1	ANY	ACS/WFC, ACCUM, WFC	F606W			Prime + Parallel Group 5-7 in NGC4351_BB (17)	700 Secs (700 Secs) [==>]	[1]
	8	F814W_OR BIT2	(17) NGC4351	WFC3/UVIS, ACCUM, UVIS-FIX	F814W	FLASH=15	POS TARG 0.172,1.803	Prime + Parallel Group 8-11 in NGC4351_BB (17)	260 Secs (260 Secs) [==>]	[2]
	9	F438W_OR BIT2	(17) NGC4351	WFC3/UVIS, ACCUM, UVIS-FIX	F438W	FLASH=17	POS TARG 0.172,1.803	Prime + Parallel Group 8-11 in NGC4351_BB (17)	348 Secs (348 Secs) [==>]	[2]
	10	F336W_OR BIT2	(17) NGC4351	WFC3/UVIS, ACCUM, UVIS-FIX	F336W	FLASH=20	POS TARG 0.172,1.803	Prime + Parallel Group 8-11 in NGC4351_BB (17)	300 Secs (300 Secs) [==>]	[2]
	11	F606W-PA R_ORBIT2	ANY	ACS/WFC, ACCUM, WFC	F606W			Prime + Parallel Group 8-11 in NGC4351_BB (17)	900 Secs (900 Secs) [==>]	[2]
	12	F275W_OR BIT2	(17) NGC4351	WFC3/UVIS, ACCUM, UVIS-FIX	F275W	FLASH=20	POS TARG 0.172,1.803	Prime + Parallel Group 12-14 in NGC4351_BB (17)	668 Secs (668 Secs) [==>]	[2]
	13	F555W_OR BIT2	(17) NGC4351	WFC3/UVIS, ACCUM, UVIS-FIX	F555W	FLASH=15	POS TARG 0.172,1.803	Prime + Parallel Group 12-14 in NGC4351_BB (17)	212 Secs (212 Secs) [==>]	[2]
	14	F814W-PA R_ORBIT2	ANY	ACS/WFC, ACCUM, WFC	F814W			Prime + Parallel Group 12-14 in NGC4351_BB (17)	700 Secs (700 Secs) [==>]	[2]
	15	F814W_OR BIT3	(17) NGC4351	WFC3/UVIS, ACCUM, UVIS-FIX	F814W	FLASH=15	POS TARG 0.343,3.606	Prime + Parallel Group 15-18 in NGC4351_BB (17)	227 Secs (227 Secs) [==>]	[3]
	16	F438W_OR BIT3	(17) NGC4351	WFC3/UVIS, ACCUM, UVIS-FIX	F438W	FLASH=17	POS TARG 0.343,3.606	Prime + Parallel Group 15-18 in NGC4351_BB (17)	348 Secs (348 Secs) [==>]	[3]
	17	F336W_OR BIT3	(17) NGC4351	WFC3/UVIS, ACCUM, UVIS-FIX	F336W	FLASH=20	POS TARG 0.343,3.606	Prime + Parallel Group 15-18 in NGC4351_BB (17)	348 Secs (348 Secs) [==>]	[3]
18	F814W-PA R_ORBIT3	ANY	ACS/WFC, ACCUM, WFC	F814W			Prime + Parallel Group 15-18 in NGC4351_BB (17)	900 Secs (900 Secs) [==>]	[3]	

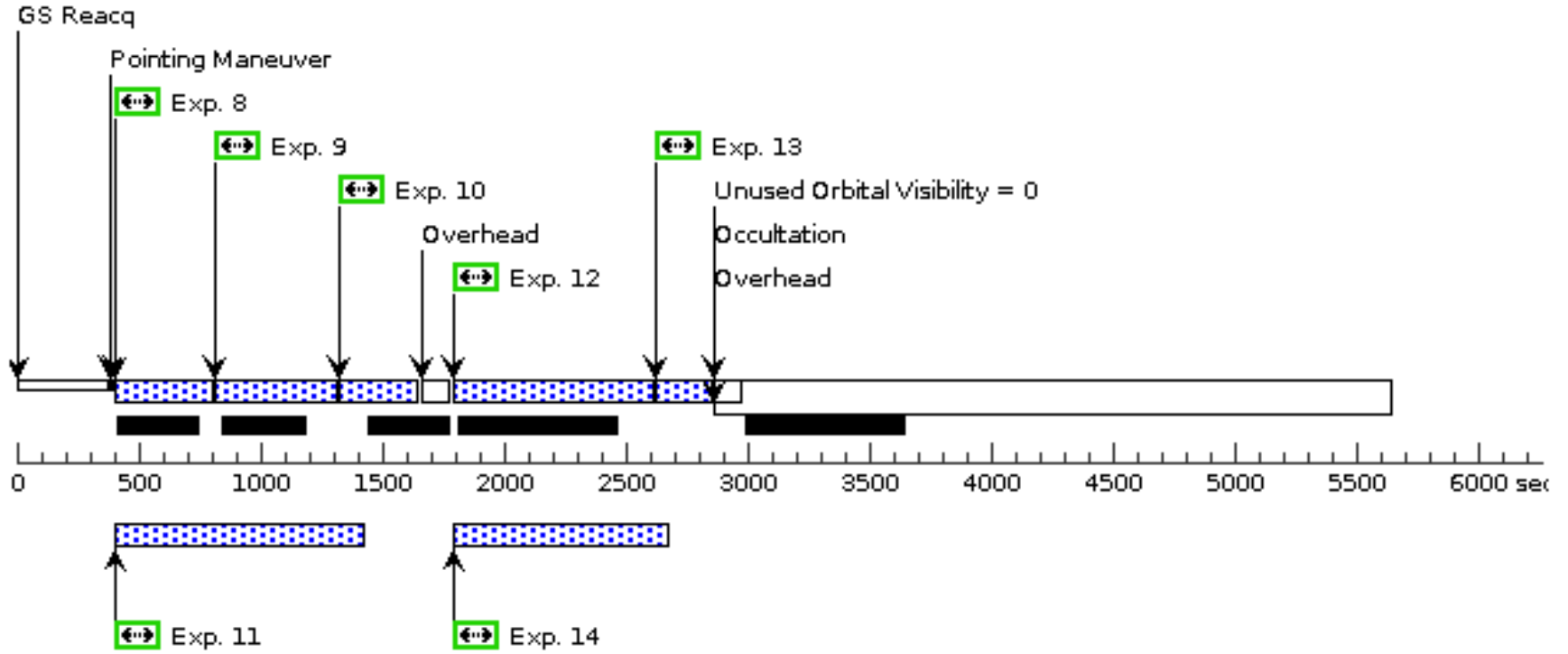
Proposal 18103 - NGC4351 BB (17) - Anatomy of a fall: Dissecting the environment-driven transformation of late-type Virgo cluster ga...

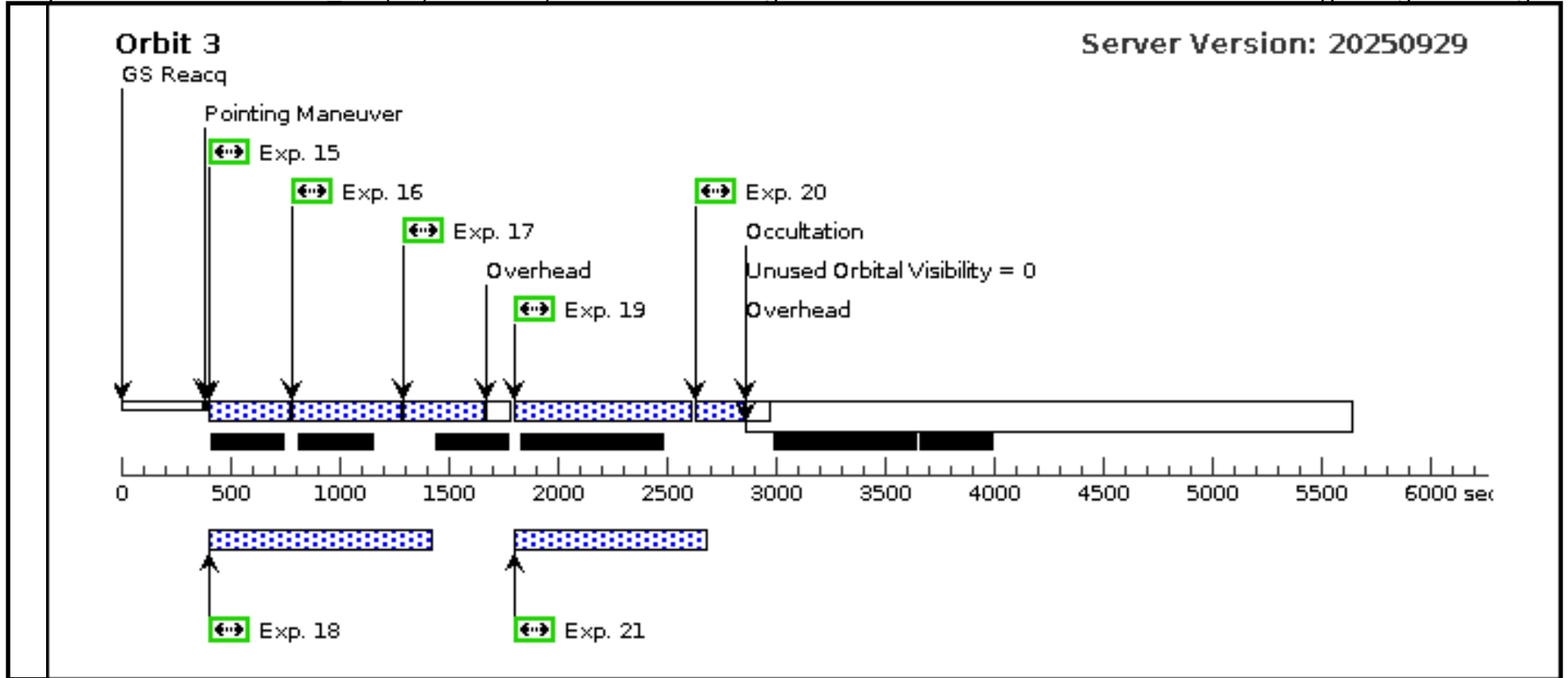
19	F275W_OR BIT3	(17) NGC4351	WFC3/UVIS, ACCUM, UVIS-FIX	F275W	FLASH=20	POS TARG 0.343,3. 606	Prime + Parallel Gro up 19-21 in NGC435 1_BB (17)	665 Secs (665 Secs) [==>]	[3]
20	F555W_OR BIT3	(17) NGC4351	WFC3/UVIS, ACCUM, UVIS-FIX	F555W	FLASH=15	POS TARG 0.343,3. 606	Prime + Parallel Gro up 19-21 in NGC435 1_BB (17)	200 Secs (200 Secs) [==>]	[3]
21	F606W-PA R_ORBIT3	ANY	ACS/WFC, ACCUM, WFC	F606W			Prime + Parallel Gro up 19-21 in NGC435 1_BB (17)	700 Secs (700 Secs) [==>]	[3]



Orbit 2

Server Version: 20250929





Proposal 18103 - NGC4380_BB (18) - Anatomy of a fall: Dissecting the environment-driven transformation of late-type Virgo cluster ga...

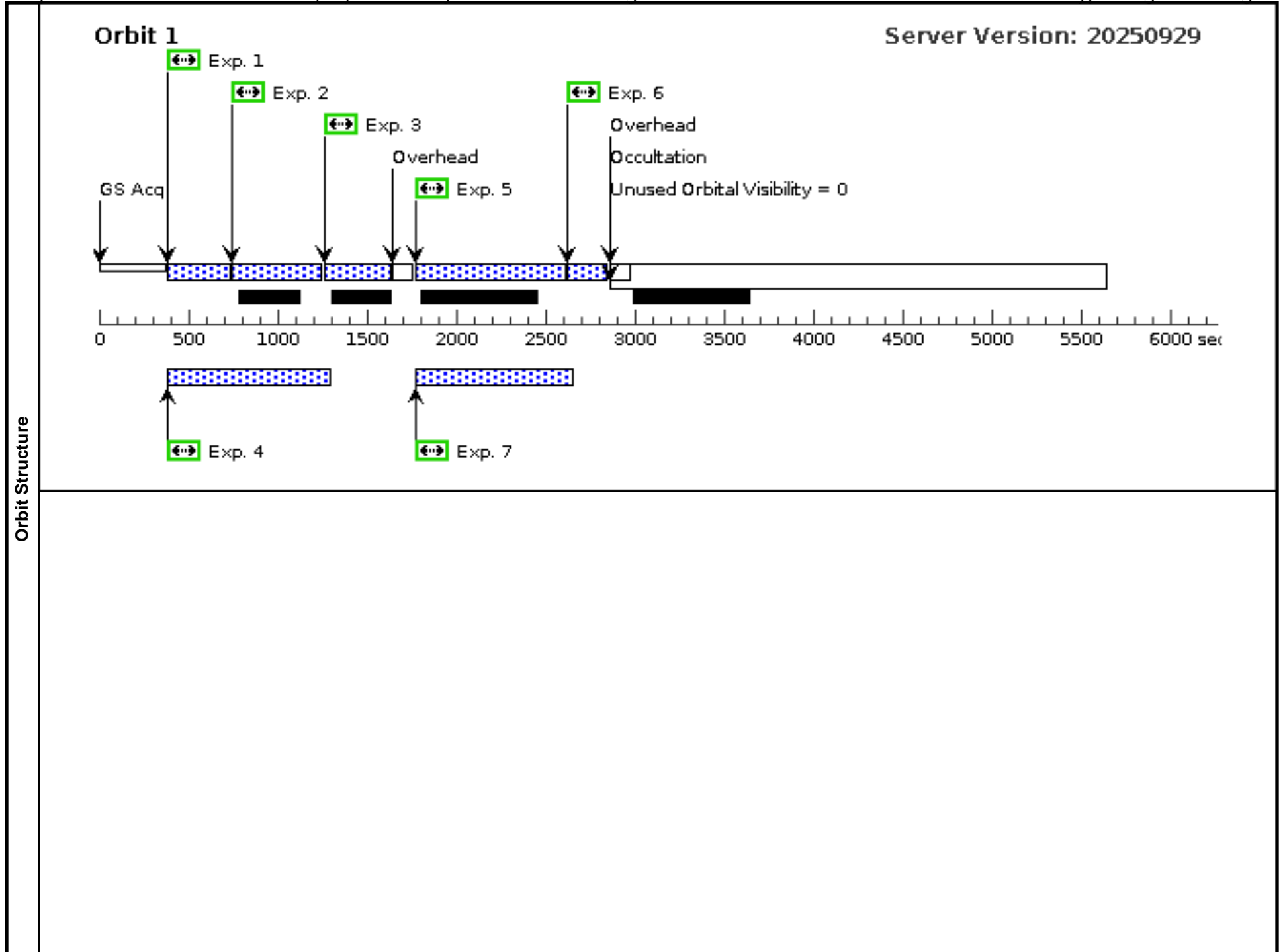
Visit	Proposal 18103, NGC4380_BB (18), scheduling Wed Feb 04 15:01:58 GMT 2026 Diagnostic Status: No Diagnostics Scientific Instruments: WFC3/UVIS, ACS/WFC Special Requirements: SCHED 100%; GROUP 18,55 WITHIN 30D Comments: NUBVIHa					
	Fixed Targets	#	Name	Target Coordinates	Targ. Coord. Corrections	Fluxes
(18)		NGC4380	RA: 12 25 22.4157 (186.3433988d) Dec: +10 00 51.01 (10.01417d) Equinox: J2000		V=11	Reference Frame: ICRS
	Comments: Category=GALAXY Description=[SPIRAL]					

Proposal 18103 - NGC4380 BB (18) - Anatomy of a fall: Dissecting the environment-driven transformation of late-type Virgo cluster ga...

Exposures	#	Label	Target	Config,Mode,Aperture	Spectral Els.	Opt. Params.	Special Reqs.	Groups	Exp. Time (Total)/[Actual Dur.]	Orbit
	1	F814W_OR BIT1	(18) NGC4380	WFC3/UVIS, ACCUM, UVIS-FIX	F814W	FLASH=15	POS TARG 0,0	Prime + Parallel Group 1-4 in NGC4380_BB (18)	200 Secs (200 Secs) [==>]	[1]
	2	F438W_OR BIT1	(18) NGC4380	WFC3/UVIS, ACCUM, UVIS-FIX	F438W	FLASH=17	POS TARG 0,0	Prime + Parallel Group 1-4 in NGC4380_BB (18)	348 Secs (348 Secs) [==>]	[1]
	3	F336W_OR BIT1	(18) NGC4380	WFC3/UVIS, ACCUM, UVIS-FIX	F336W	FLASH=20	POS TARG 0,0	Prime + Parallel Group 1-4 in NGC4380_BB (18)	348 Secs (348 Secs) [==>]	[1]
	4	F814W-PA R_ORBIT1	ANY	ACS/WFC, ACCUM, WFC	F814W			Prime + Parallel Group 1-4 in NGC4380_BB (18)	700 Secs (700 Secs) [==>]	[1]
	5	F275W_OR BIT1	(18) NGC4380	WFC3/UVIS, ACCUM, UVIS-FIX	F275W	FLASH=20	POS TARG 0,0	Prime + Parallel Group 5-7 in NGC4380_BB (18)	695 Secs (695 Secs) [==>]	[1]
	6	F555W_OR BIT1	(18) NGC4380	WFC3/UVIS, ACCUM, UVIS-FIX	F555W	FLASH=15	POS TARG 0,0	Prime + Parallel Group 5-7 in NGC4380_BB (18)	204 Secs (204 Secs) [==>]	[1]
	7	F606W-PA R_ORBIT1	ANY	ACS/WFC, ACCUM, WFC	F606W			Prime + Parallel Group 5-7 in NGC4380_BB (18)	700 Secs (700 Secs) [==>]	[1]
	8	F814W_OR BIT2	(18) NGC4380	WFC3/UVIS, ACCUM, UVIS-FIX	F814W	FLASH=15	POS TARG 0.172,1.803	Prime + Parallel Group 8-11 in NGC4380_BB (18)	260 Secs (260 Secs) [==>]	[2]
	9	F438W_OR BIT2	(18) NGC4380	WFC3/UVIS, ACCUM, UVIS-FIX	F438W	FLASH=17	POS TARG 0.172,1.803	Prime + Parallel Group 8-11 in NGC4380_BB (18)	348 Secs (348 Secs) [==>]	[2]
	10	F336W_OR BIT2	(18) NGC4380	WFC3/UVIS, ACCUM, UVIS-FIX	F336W	FLASH=20	POS TARG 0.172,1.803	Prime + Parallel Group 8-11 in NGC4380_BB (18)	300 Secs (300 Secs) [==>]	[2]
	11	F606W-PA R_ORBIT2	ANY	ACS/WFC, ACCUM, WFC	F606W			Prime + Parallel Group 8-11 in NGC4380_BB (18)	900 Secs (900 Secs) [==>]	[2]
	12	F275W_OR BIT2	(18) NGC4380	WFC3/UVIS, ACCUM, UVIS-FIX	F275W	FLASH=20	POS TARG 0.172,1.803	Prime + Parallel Group 12-14 in NGC4380_BB (18)	668 Secs (668 Secs) [==>]	[2]
	13	F555W_OR BIT2	(18) NGC4380	WFC3/UVIS, ACCUM, UVIS-FIX	F555W	FLASH=15	POS TARG 0.172,1.803	Prime + Parallel Group 12-14 in NGC4380_BB (18)	212 Secs (212 Secs) [==>]	[2]
	14	F814W-PA R_ORBIT2	ANY	ACS/WFC, ACCUM, WFC	F814W			Prime + Parallel Group 12-14 in NGC4380_BB (18)	700 Secs (700 Secs) [==>]	[2]
	15	F814W_OR BIT3	(18) NGC4380	WFC3/UVIS, ACCUM, UVIS-FIX	F814W	FLASH=15	POS TARG 0.343,3.606	Prime + Parallel Group 15-18 in NGC4380_BB (18)	227 Secs (227 Secs) [==>]	[3]
	16	F438W_OR BIT3	(18) NGC4380	WFC3/UVIS, ACCUM, UVIS-FIX	F438W	FLASH=17	POS TARG 0.343,3.606	Prime + Parallel Group 15-18 in NGC4380_BB (18)	348 Secs (348 Secs) [==>]	[3]
	17	F336W_OR BIT3	(18) NGC4380	WFC3/UVIS, ACCUM, UVIS-FIX	F336W	FLASH=20	POS TARG 0.343,3.606	Prime + Parallel Group 15-18 in NGC4380_BB (18)	348 Secs (348 Secs) [==>]	[3]
18	F814W-PA R_ORBIT3	ANY	ACS/WFC, ACCUM, WFC	F814W			Prime + Parallel Group 15-18 in NGC4380_BB (18)	900 Secs (900 Secs) [==>]	[3]	

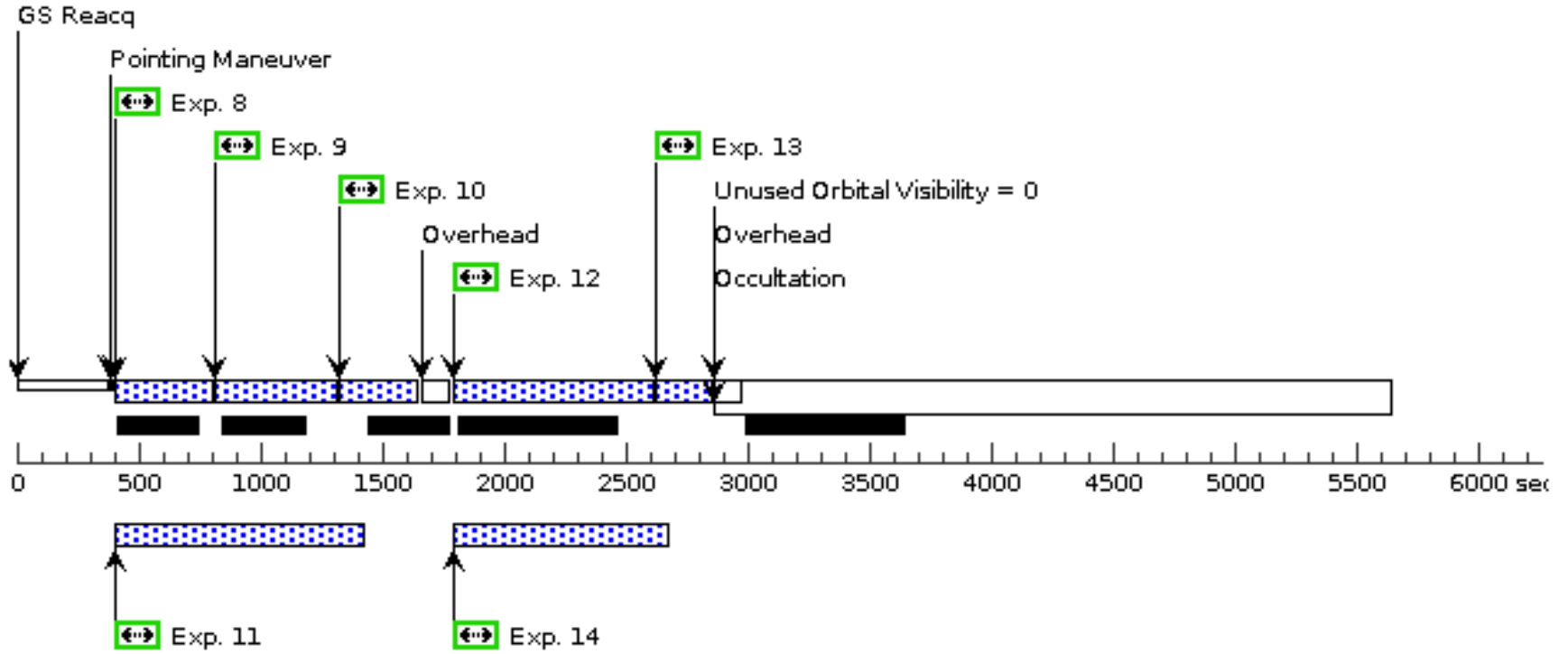
Proposal 18103 - NGC4380 BB (18) - Anatomy of a fall: Dissecting the environment-driven transformation of late-type Virgo cluster ga...

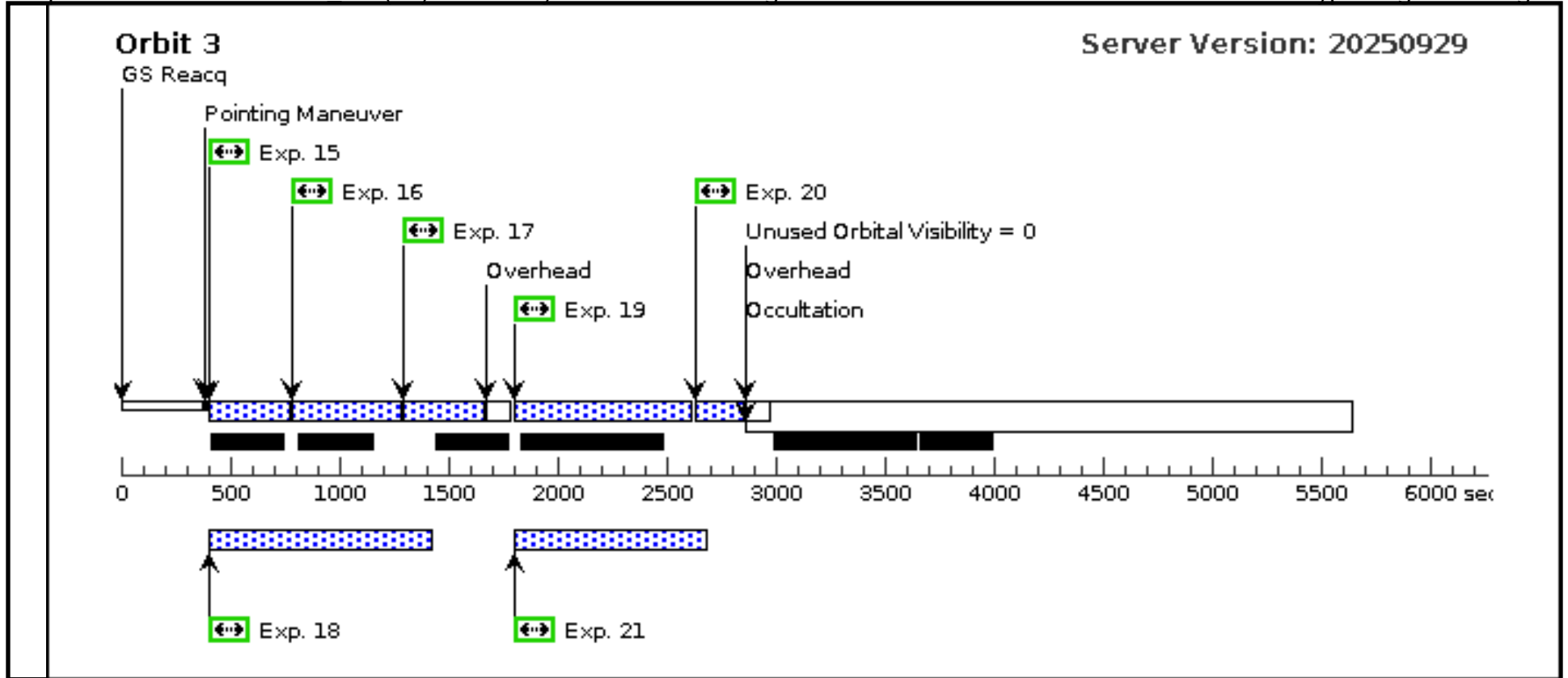
19	F275W_OR BIT3	(18) NGC4380	WFC3/UVIS, ACCUM, UVIS-FIX	F275W	FLASH=20	POS TARG 0.343,3.606	Prime + Parallel Group 19-21 in NGC4380_BB (18)	665 Secs (665 Secs)	[==>]	[3]
20	F555W_OR BIT3	(18) NGC4380	WFC3/UVIS, ACCUM, UVIS-FIX	F555W	FLASH=15	POS TARG 0.343,3.606	Prime + Parallel Group 19-21 in NGC4380_BB (18)	200 Secs (200 Secs)	[==>]	[3]
21	F606W-PA R_ORBIT3	ANY	ACS/WFC, ACCUM, WFC	F606W			Prime + Parallel Group 19-21 in NGC4380_BB (18)	700 Secs (700 Secs)	[==>]	[3]



Orbit 2

Server Version: 20250929





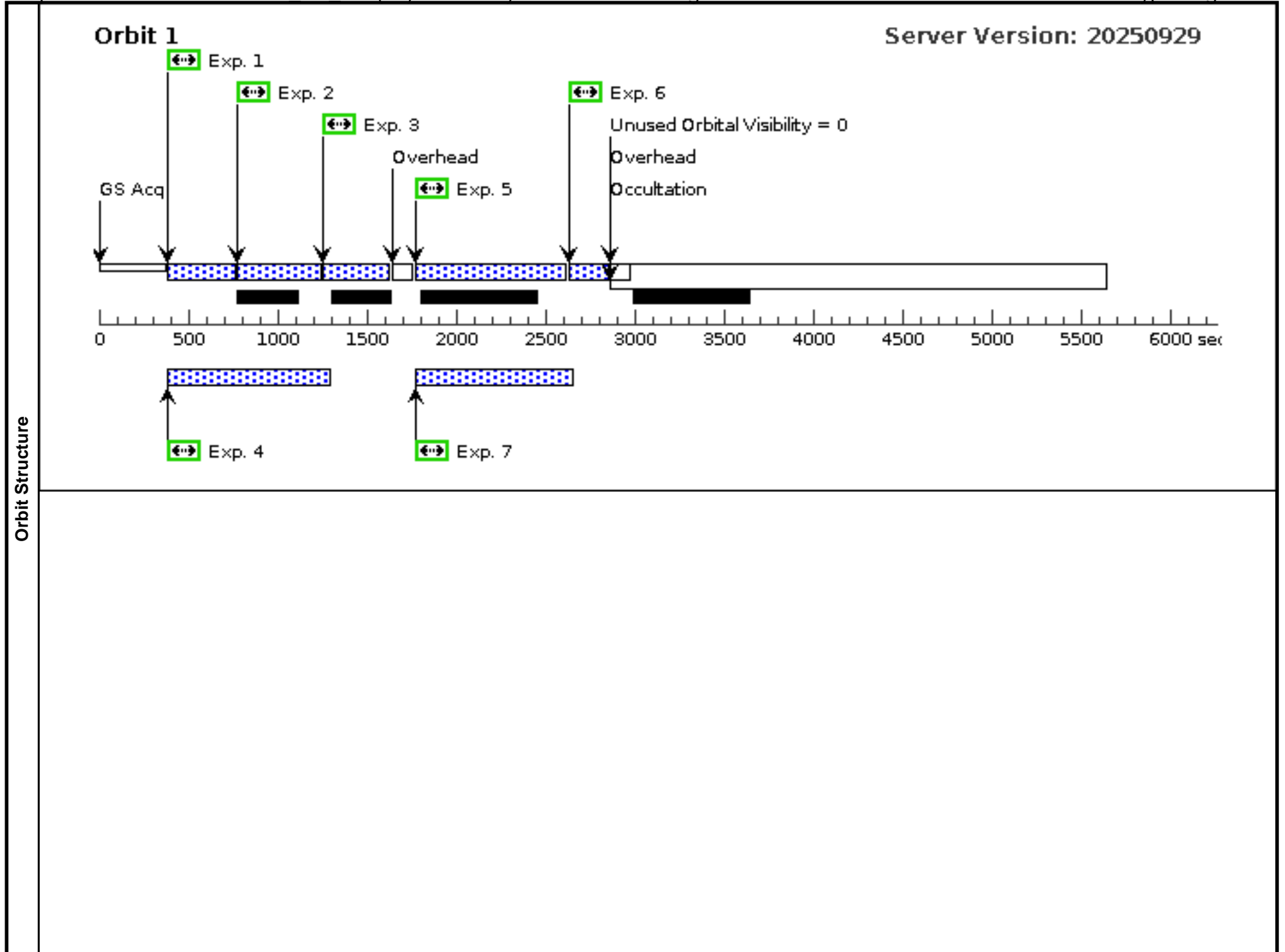
Visit	Proposal 18103, NGC4383-S_BB_NB (19), scheduling Diagnostic Status: No Diagnostics Scientific Instruments: WFC3/UVIS, ACS/WFC Special Requirements: SCHED 100%; ORIENT 282D TO 288 D; GROUP 19,20,57 WITHIN 30D <i>Comments: 3orbits-NBVHa + (U,I archival 336/814)</i> <i>Position and ORIENT compatible with archival data</i>												
	Fixed Targets	<table border="1"> <thead> <tr> <th>#</th> <th>Name</th> <th>Target Coordinates</th> <th>Targ. Coord. Corrections</th> <th>Fluxes</th> <th>Miscellaneous</th> </tr> </thead> <tbody> <tr> <td>(19)</td> <td>NGC4383-S</td> <td> RA: 12 25 23.9663 (186.3498596d) Dec: +16 26 32.75 (16.44243d) Equinox: J2000 </td> <td></td> <td>V=11</td> <td>Reference Frame: ICRS</td> </tr> </tbody> </table> <p><i>Comments:</i> Category=GALAXY Description=[SPIRAL]</p>	#	Name	Target Coordinates	Targ. Coord. Corrections	Fluxes	Miscellaneous	(19)	NGC4383-S	RA: 12 25 23.9663 (186.3498596d) Dec: +16 26 32.75 (16.44243d) Equinox: J2000		V=11
#	Name	Target Coordinates	Targ. Coord. Corrections	Fluxes	Miscellaneous								
(19)	NGC4383-S	RA: 12 25 23.9663 (186.3498596d) Dec: +16 26 32.75 (16.44243d) Equinox: J2000		V=11	Reference Frame: ICRS								

Proposal 18103 - NGC4383-S BB NB (19) - Anatomy of a fall: Dissecting the environment-driven transformation of late-type Virgo clu...

#	Label	Target	Config,Mode,Aperture	Spectral Els.	Opt. Params.	Special Reqs.	Groups	Exp. Time (Total)/[Actual Dur.]	Orbit	
Exposures	1	F657N_OR BIT1	(19) NGC4383-S	WFC3/UVIS, ACCUM, UVIS-FIX	F657N	FLASH=20	POS TARG 0,0	Prime + Parallel Group 1-4 in NGC4383-S_BB_NB (19)	220 Secs (220 Secs) [==>]	[1]
	2	F657N_OR BIT1	(19) NGC4383-S	WFC3/UVIS, ACCUM, UVIS-FIX	F657N	FLASH=20	POS TARG 0,0	Prime + Parallel Group 1-4 in NGC4383-S_BB_NB (19)	348 Secs (348 Secs) [==>]	[1]
	3	F438W_OR BIT1	(19) NGC4383-S	WFC3/UVIS, ACCUM, UVIS-FIX	F438W	FLASH=17	POS TARG 0,0	Prime + Parallel Group 1-4 in NGC4383-S_BB_NB (19)	348 Secs (348 Secs) [==>]	[1]
	4	F814W-PA R_ORBIT1	ANY	ACS/WFC, ACCUM, WFC	F814W			Prime + Parallel Group 1-4 in NGC4383-S_BB_NB (19)	700 Secs (700 Secs) [==>]	[1]
	5	F275W_OR BIT1	(19) NGC4383-S	WFC3/UVIS, ACCUM, UVIS-FIX	F275W	FLASH=20	POS TARG 0,0	Prime + Parallel Group 5-7 in NGC4383-S_BB_NB (19)	695 Secs (695 Secs) [==>]	[1]
	6	F555W_OR BIT1	(19) NGC4383-S	WFC3/UVIS, ACCUM, UVIS-FIX	F555W	FLASH=15	POS TARG 0,0	Prime + Parallel Group 5-7 in NGC4383-S_BB_NB (19)	201 Secs (201 Secs) [==>]	[1]
	7	F606W-PA R_ORBIT1	ANY	ACS/WFC, ACCUM, WFC	F606W			Prime + Parallel Group 5-7 in NGC4383-S_BB_NB (19)	700 Secs (700 Secs) [==>]	[1]
	8	F438W_OR BIT2	(19) NGC4383-S	WFC3/UVIS, ACCUM, UVIS-FIX	F438W	FLASH=17	POS TARG 0.172,1.803	Prime + Parallel Group 8-11 in NGC4383-S_BB_NB (19)	231 Secs (231 Secs) [==>]	[2]
	9	F657N_OR BIT2	(19) NGC4383-S	WFC3/UVIS, ACCUM, UVIS-FIX	F657N	FLASH=20	POS TARG 0.172,1.803	Prime + Parallel Group 8-11 in NGC4383-S_BB_NB (19)	348 Secs (348 Secs) [==>]	[2]
	10	F657N_OR BIT2	(19) NGC4383-S	WFC3/UVIS, ACCUM, UVIS-FIX	F657N	FLASH=20	POS TARG 0.172,1.803	Prime + Parallel Group 8-11 in NGC4383-S_BB_NB (19)	348 Secs (348 Secs) [==>]	[2]
	11	F606W-PA R_ORBIT2	ANY	ACS/WFC, ACCUM, WFC	F606W			Prime + Parallel Group 8-11 in NGC4383-S_BB_NB (19)	800 Secs (800 Secs) [==>]	[2]
	12	F275W_OR BIT2	(19) NGC4383-S	WFC3/UVIS, ACCUM, UVIS-FIX	F275W	FLASH=20	POS TARG 0.172,1.803	Prime + Parallel Group 12-14 in NGC4383-S_BB_NB (19)	668 Secs (668 Secs) [==>]	[2]
	13	F555W_OR BIT2	(19) NGC4383-S	WFC3/UVIS, ACCUM, UVIS-FIX	F555W	FLASH=15	POS TARG 0.172,1.803	Prime + Parallel Group 12-14 in NGC4383-S_BB_NB (19)	210 Secs (210 Secs) [==>]	[2]
	14	F814W-PA R_ORBIT2	ANY	ACS/WFC, ACCUM, WFC	F814W			Prime + Parallel Group 12-14 in NGC4383-S_BB_NB (19)	700 Secs (700 Secs) [==>]	[2]
	15	F438W_OR BIT3	(19) NGC4383-S	WFC3/UVIS, ACCUM, UVIS-FIX	F438W	FLASH=17	POS TARG 0.343,3.606	Prime + Parallel Group 15-18 in NGC4383-S_BB_NB (19)	226 Secs (226 Secs) [==>]	[3]
	16	F657N_OR BIT3	(19) NGC4383-S	WFC3/UVIS, ACCUM, UVIS-FIX	F657N	FLASH=20	POS TARG 0.343,3.606	Prime + Parallel Group 15-18 in NGC4383-S_BB_NB (19)	348 Secs (348 Secs) [==>]	[3]
	17	F657N_OR BIT3	(19) NGC4383-S	WFC3/UVIS, ACCUM, UVIS-FIX	F657N	FLASH=20	POS TARG 0.343,3.606	Prime + Parallel Group 15-18 in NGC4383-S_BB_NB (19)	370 Secs (370 Secs) [==>]	[3]
	18	F814W-PA R_ORBIT3	ANY	ACS/WFC, ACCUM, WFC	F814W			Prime + Parallel Group 15-18 in NGC4383-S_BB_NB (19)	900 Secs (900 Secs) [==>]	[3]

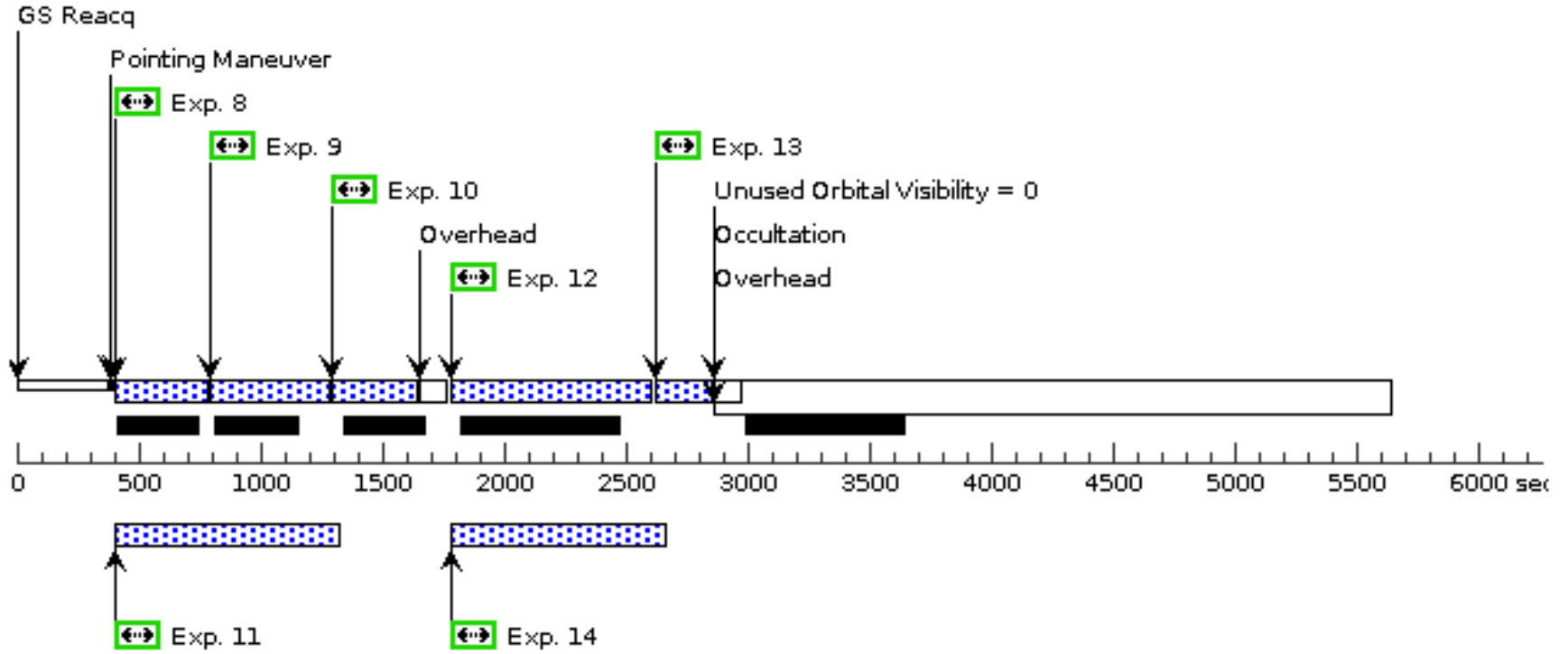
Proposal 18103 - NGC4383-S BB NB (19) - Anatomy of a fall: Dissecting the environment-driven transformation of late-type Virgo clu...

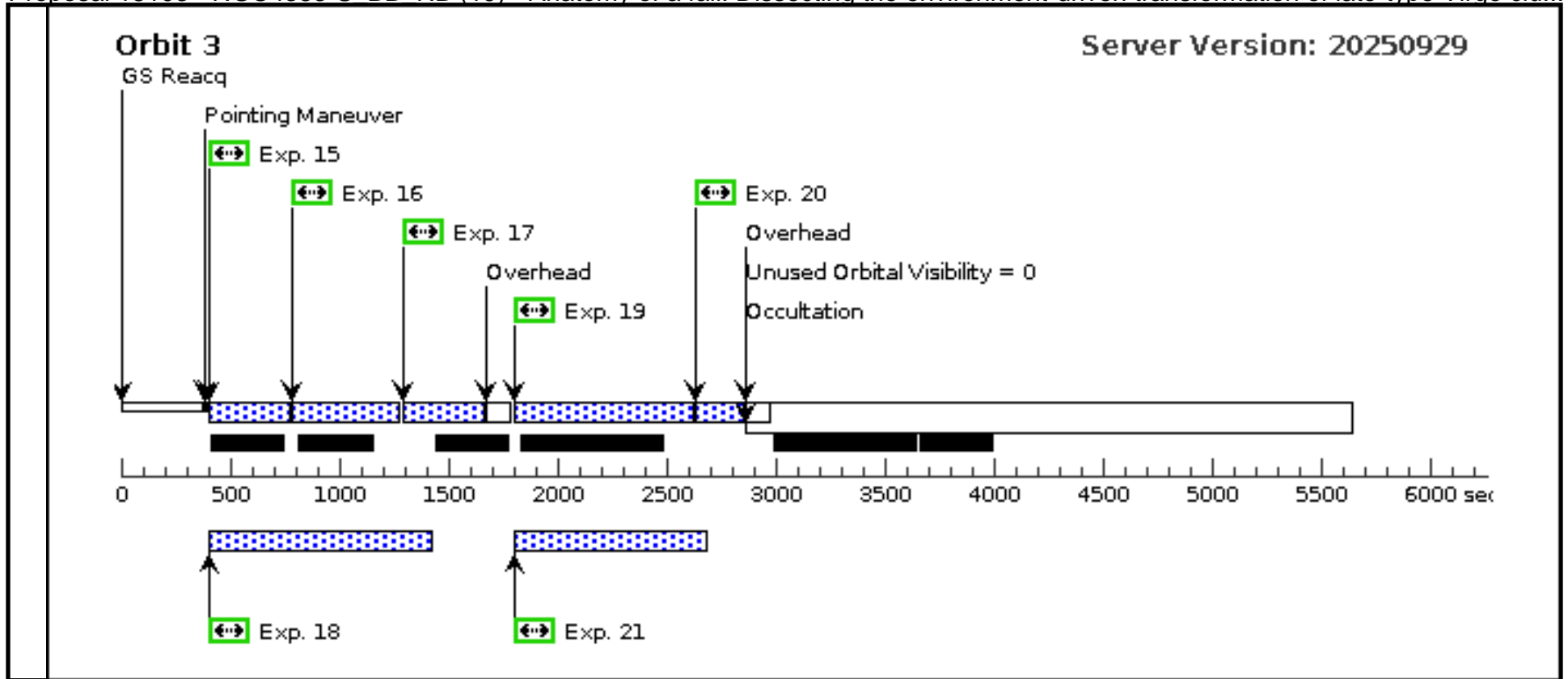
19	F275W_OR BIT3	(19) NGC4383-S	WFC3/UVIS, ACCUM, UVIS-FIX	F275W	FLASH=20	POS TARG 0.343,3.606	Prime + Parallel Group up 19-21 in NGC4383-S_BB_NB (19)	665 Secs (665 Secs) [==>]	[3]
20	F555W_OR BIT3	(19) NGC4383-S	WFC3/UVIS, ACCUM, UVIS-FIX	F555W	FLASH=15	POS TARG 0.343,3.606	Prime + Parallel Group up 19-21 in NGC4383-S_BB_NB (19)	194 Secs (194 Secs) [==>]	[3]
21	F606W-PA R_ORBIT3	ANY	ACS/WFC, ACCUM, WFC	F606W			Prime + Parallel Group up 19-21 in NGC4383-S_BB_NB (19)	700 Secs (700 Secs) [==>]	[3]



Orbit 2

Server Version: 20250929





Proposal 18103 - NGC4383-N_BB (20) - Anatomy of a fall: Dissecting the environment-driven transformation of late-type Virgo cluster ...

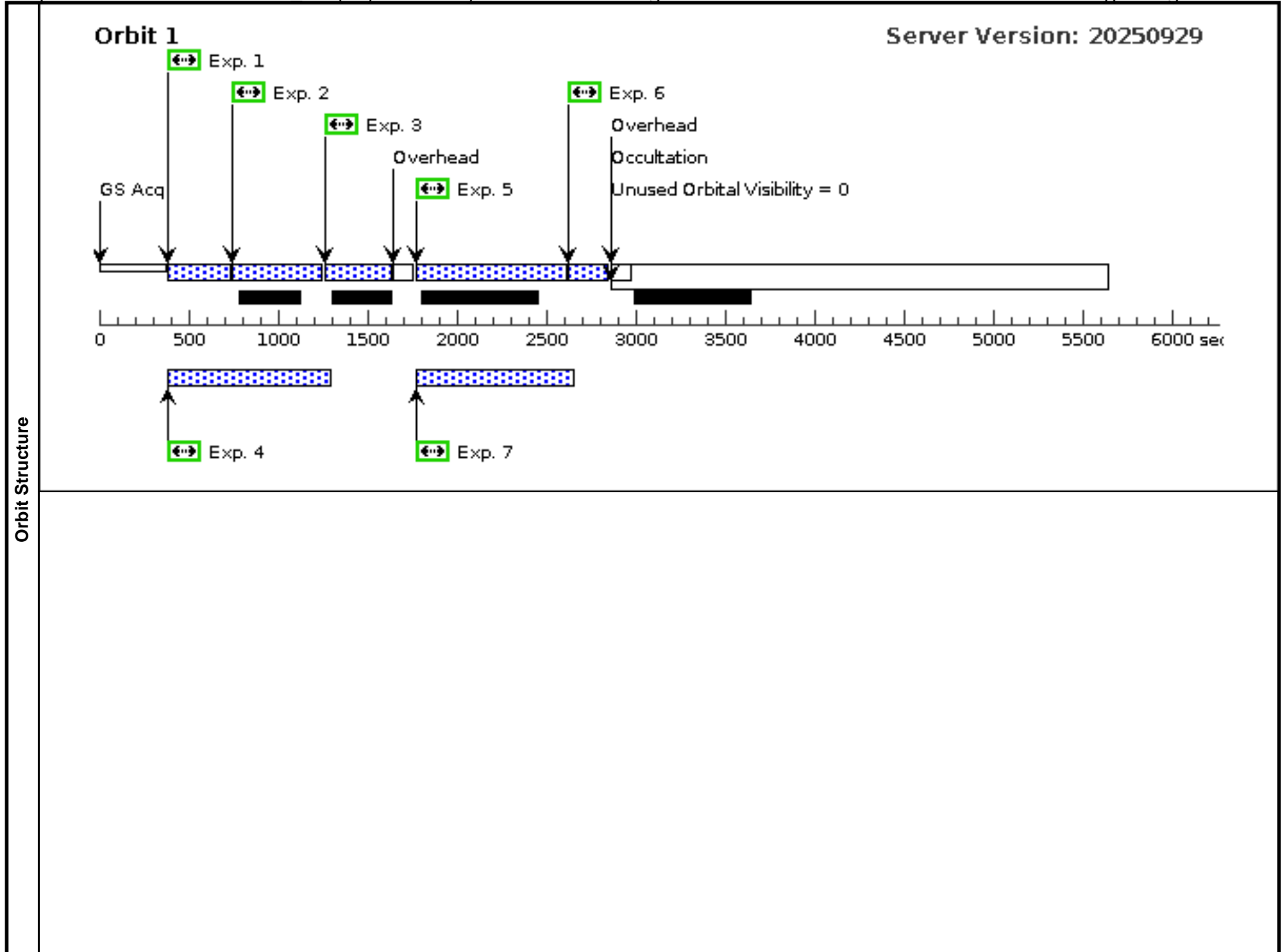
Visit	Proposal 18103, NGC4383-N_BB (20), scheduling Wed Feb 04 15:01:58 GMT 2026 Diagnostic Status: No Diagnostics Scientific Instruments: WFC3/UVIS, ACS/WFC Special Requirements: SCHED 100%; SAME ORIENT AS 19 <i>Comments: NUBVIHa</i>					
	Fixed Targets	#	Name	Target Coordinates	Targ. Coord. Corrections	Fluxes
(20)		NGC4383-N	RA: 12 25 26.5448 (186.3606033d) Dec: +16 28 55.81 (16.48217d) Equinox: J2000		V=11	Reference Frame: ICRS
	<i>Comments:</i> Category=GALAXY Description=[SPIRAL]					

Proposal 18103 - NGC4383-N_BB (20) - Anatomy of a fall: Dissecting the environment-driven transformation of late-type Virgo cluster ...

#	Label	Target	Config,Mode,Aperture	Spectral Els.	Opt. Params.	Special Reqs.	Groups	Exp. Time (Total)/[Actual Dur.]	Orbit	
Exposures	1	F814W_OR BIT1	(20) NGC4383-N	WFC3/UVIS, ACCUM, UVIS-FIX	F814W	FLASH=15	POS TARG 0,0	Prime + Parallel Group 1-4 in NGC4383-N_BB (20)	200 Secs (200 Secs) [==>]	[1]
	2	F438W_OR BIT1	(20) NGC4383-N	WFC3/UVIS, ACCUM, UVIS-FIX	F438W	FLASH=17	POS TARG 0,0	Prime + Parallel Group 1-4 in NGC4383-N_BB (20)	348 Secs (348 Secs) [==>]	[1]
	3	F336W_OR BIT1	(20) NGC4383-N	WFC3/UVIS, ACCUM, UVIS-FIX	F336W	FLASH=20	POS TARG 0,0	Prime + Parallel Group 1-4 in NGC4383-N_BB (20)	348 Secs (348 Secs) [==>]	[1]
	4	F814W-PA R_ORBIT1	ANY	ACS/WFC, ACCUM, WFC	F814W			Prime + Parallel Group 1-4 in NGC4383-N_BB (20)	700 Secs (700 Secs) [==>]	[1]
	5	F275W_OR BIT1	(20) NGC4383-N	WFC3/UVIS, ACCUM, UVIS-FIX	F275W	FLASH=20	POS TARG 0,0	Prime + Parallel Group 5-7 in NGC4383-N_BB (20)	695 Secs (695 Secs) [==>]	[1]
	6	F555W_OR BIT1	(20) NGC4383-N	WFC3/UVIS, ACCUM, UVIS-FIX	F555W	FLASH=15	POS TARG 0,0	Prime + Parallel Group 5-7 in NGC4383-N_BB (20)	203 Secs (203 Secs) [==>]	[1]
	7	F606W-PA R_ORBIT1	ANY	ACS/WFC, ACCUM, WFC	F606W			Prime + Parallel Group 5-7 in NGC4383-N_BB (20)	700 Secs (700 Secs) [==>]	[1]
	8	F814W_OR BIT2	(20) NGC4383-N	WFC3/UVIS, ACCUM, UVIS-FIX	F814W	FLASH=15	POS TARG 0.172,1.803	Prime + Parallel Group 8-11 in NGC4383-N_BB (20)	259 Secs (259 Secs) [==>]	[2]
	9	F438W_OR BIT2	(20) NGC4383-N	WFC3/UVIS, ACCUM, UVIS-FIX	F438W	FLASH=17	POS TARG 0.172,1.803	Prime + Parallel Group 8-11 in NGC4383-N_BB (20)	348 Secs (348 Secs) [==>]	[2]
	10	F336W_OR BIT2	(20) NGC4383-N	WFC3/UVIS, ACCUM, UVIS-FIX	F336W	FLASH=20	POS TARG 0.172,1.803	Prime + Parallel Group 8-11 in NGC4383-N_BB (20)	300 Secs (300 Secs) [==>]	[2]
	11	F606W-PA R_ORBIT2	ANY	ACS/WFC, ACCUM, WFC	F606W			Prime + Parallel Group 8-11 in NGC4383-N_BB (20)	900 Secs (900 Secs) [==>]	[2]
	12	F275W_OR BIT2	(20) NGC4383-N	WFC3/UVIS, ACCUM, UVIS-FIX	F275W	FLASH=20	POS TARG 0.172,1.803	Prime + Parallel Group 12-14 in NGC4383-N_BB (20)	668 Secs (668 Secs) [==>]	[2]
	13	F555W_OR BIT2	(20) NGC4383-N	WFC3/UVIS, ACCUM, UVIS-FIX	F555W	FLASH=15	POS TARG 0.172,1.803	Prime + Parallel Group 12-14 in NGC4383-N_BB (20)	212 Secs (212 Secs) [==>]	[2]
	14	F814W-PA R_ORBIT2	ANY	ACS/WFC, ACCUM, WFC	F814W			Prime + Parallel Group 12-14 in NGC4383-N_BB (20)	700 Secs (700 Secs) [==>]	[2]
	15	F814W_OR BIT3	(20) NGC4383-N	WFC3/UVIS, ACCUM, UVIS-FIX	F814W	FLASH=15	POS TARG 0.343,3.606	Prime + Parallel Group 15-18 in NGC4383-N_BB (20)	226 Secs (226 Secs) [==>]	[3]
	16	F438W_OR BIT3	(20) NGC4383-N	WFC3/UVIS, ACCUM, UVIS-FIX	F438W	FLASH=17	POS TARG 0.343,3.606	Prime + Parallel Group 15-18 in NGC4383-N_BB (20)	348 Secs (348 Secs) [==>]	[3]
	17	F336W_OR BIT3	(20) NGC4383-N	WFC3/UVIS, ACCUM, UVIS-FIX	F336W	FLASH=20	POS TARG 0.343,3.606	Prime + Parallel Group 15-18 in NGC4383-N_BB (20)	348 Secs (348 Secs) [==>]	[3]
	18	F814W-PA R_ORBIT3	ANY	ACS/WFC, ACCUM, WFC	F814W			Prime + Parallel Group 15-18 in NGC4383-N_BB (20)	900 Secs (900 Secs) [==>]	[3]

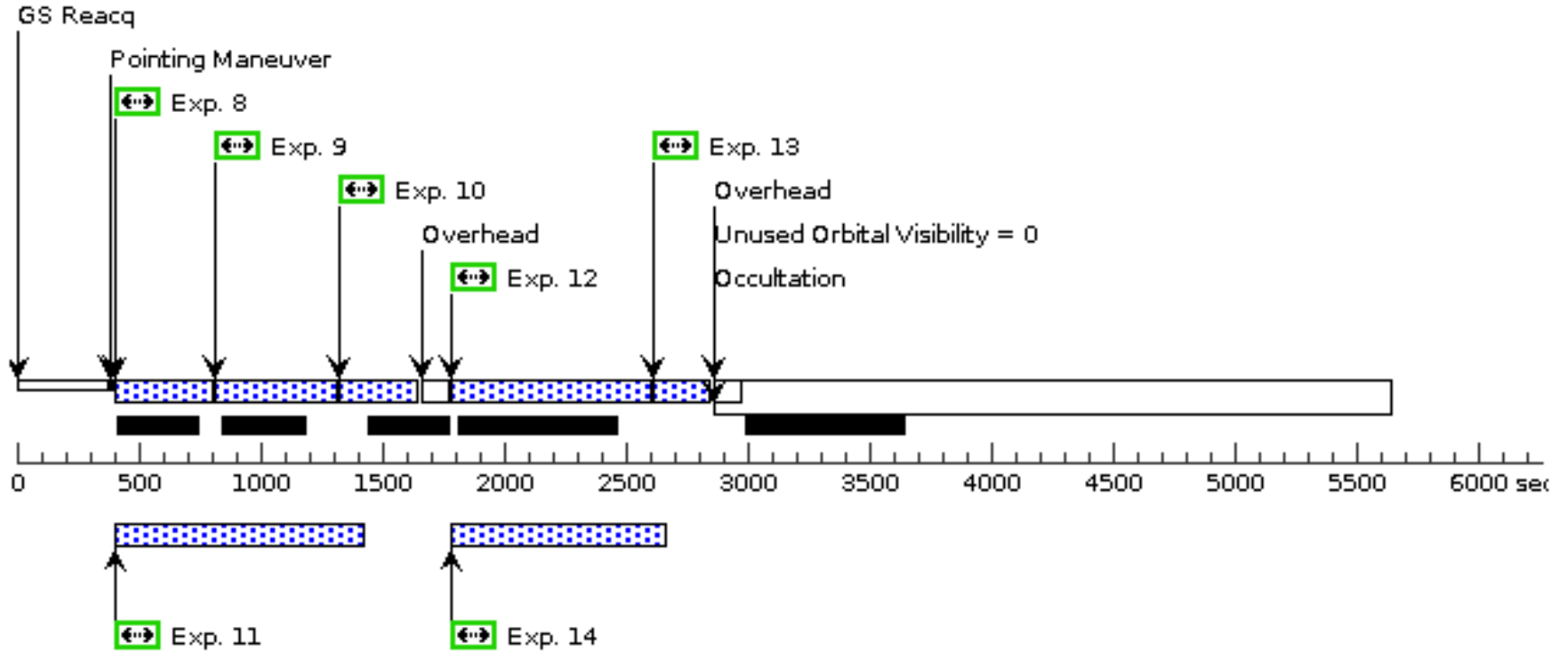
Proposal 18103 - NGC4383-N BB (20) - Anatomy of a fall: Dissecting the environment-driven transformation of late-type Virgo cluster ...

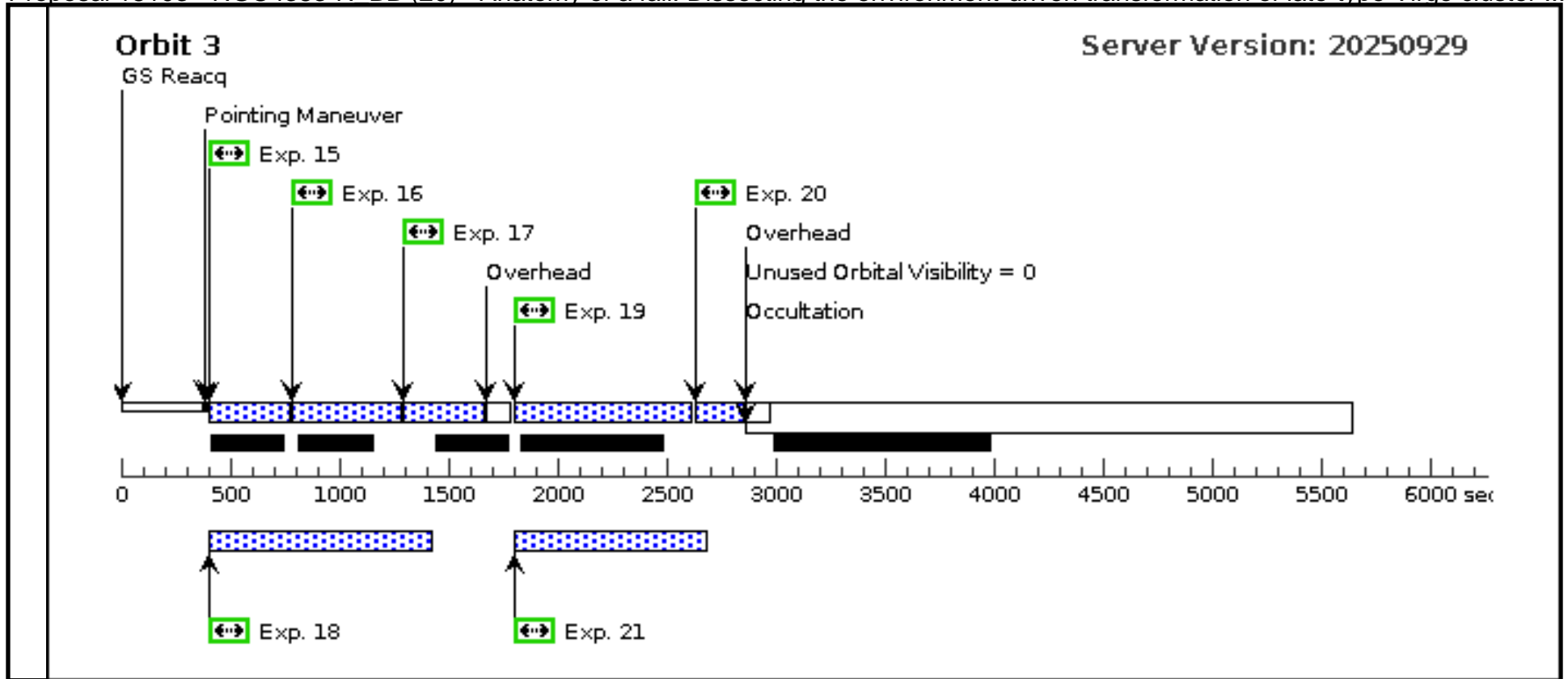
19	F275W_OR BIT3	(20) NGC4383-N	WFC3/UVIS, ACCUM, UVIS-FIX	F275W	FLASH=20	POS TARG 0.343,3. 606	Prime + Parallel Gro up 19-21 in NGC438 3-N_BB (20)	665 Secs (665 Secs) [==>]	[3]
20	F555W_OR BIT3	(20) NGC4383-N	WFC3/UVIS, ACCUM, UVIS-FIX	F555W	FLASH=15	POS TARG 0.343,3. 606	Prime + Parallel Gro up 19-21 in NGC438 3-N_BB (20)	200 Secs (200 Secs) [==>]	[3]
21	F606W-PA R_ORBIT3	ANY	ACS/WFC, ACCUM, WFC	F606W			Prime + Parallel Gro up 19-21 in NGC438 3-N_BB (20)	700 Secs (700 Secs) [==>]	[3]



Orbit 2

Server Version: 20250929





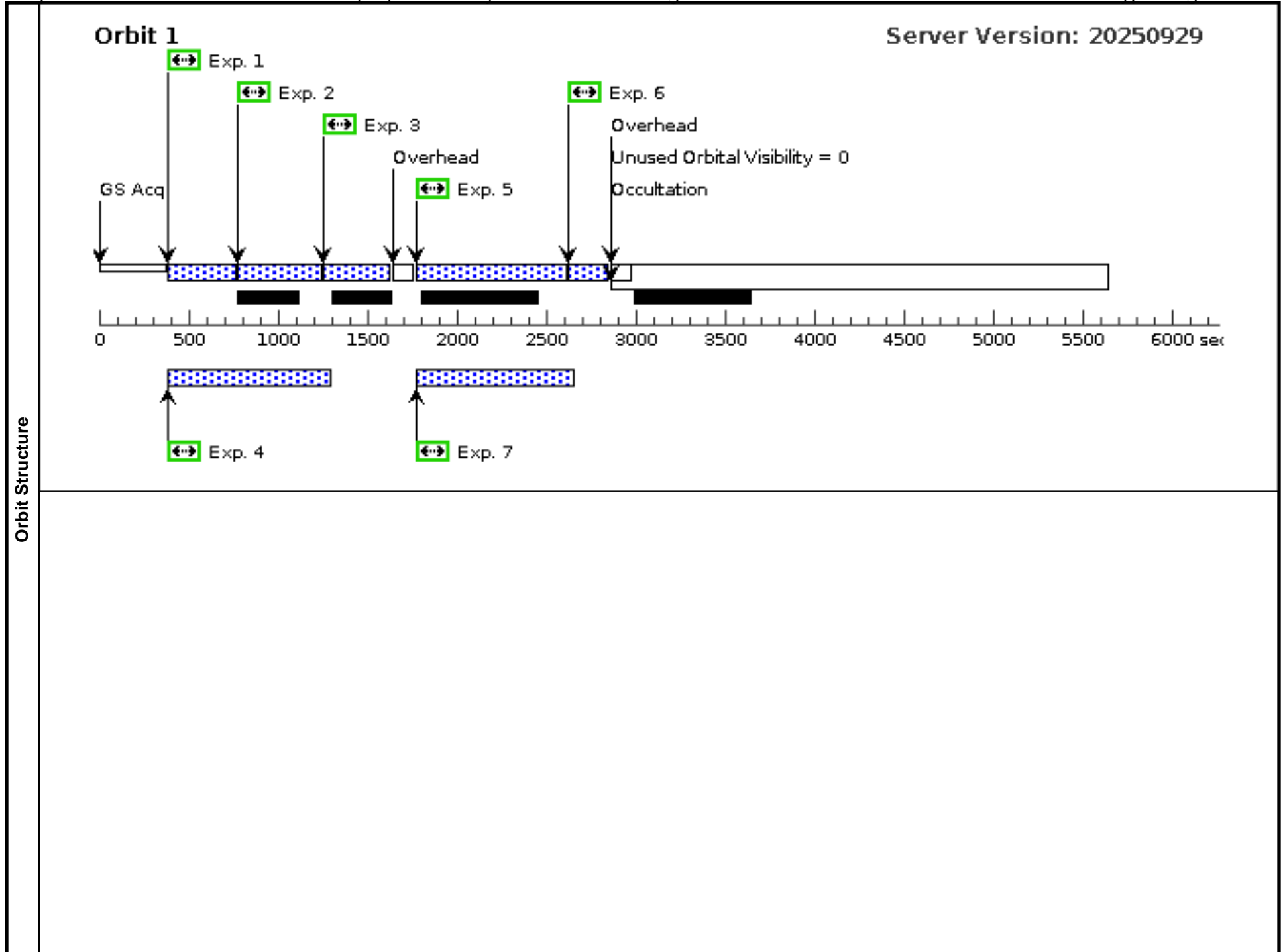
Visit	Proposal 18103, NGC4388_BB_NB (21), scheduling Diagnostic Status: No Diagnostics Scientific Instruments: WFC3/UVIS, ACS/WFC Special Requirements: SCHED 100%; ORIENT 283.5D TO 286.5 D Comments: 3orbits-NBVHa + (archival U, I 336/814) Position and orient compatible with archival data												
	Fixed Targets	<table border="1"> <thead> <tr> <th>#</th> <th>Name</th> <th>Target Coordinates</th> <th>Targ. Coord. Corrections</th> <th>Fluxes</th> <th>Miscellaneous</th> </tr> </thead> <tbody> <tr> <td>(21)</td> <td>NGC4388</td> <td> RA: 12 25 46.1081 (186.4421171d) Dec: +12 40 6.48 (12.66847d) Equinox: J2000 </td> <td></td> <td>V=11</td> <td>Reference Frame: ICRS</td> </tr> </tbody> </table> Comments: Category=GALAXY Description=[SPIRAL]	#	Name	Target Coordinates	Targ. Coord. Corrections	Fluxes	Miscellaneous	(21)	NGC4388	RA: 12 25 46.1081 (186.4421171d) Dec: +12 40 6.48 (12.66847d) Equinox: J2000		V=11
#	Name	Target Coordinates	Targ. Coord. Corrections	Fluxes	Miscellaneous								
(21)	NGC4388	RA: 12 25 46.1081 (186.4421171d) Dec: +12 40 6.48 (12.66847d) Equinox: J2000		V=11	Reference Frame: ICRS								

Proposal 18103 - NGC4388 BB_NB (21) - Anatomy of a fall: Dissecting the environment-driven transformation of late-type Virgo clust...

#	Label	Target	Config,Mode,Aperture	Spectral Els.	Opt. Params.	Special Reqs.	Groups	Exp. Time (Total)/[Actual Dur.]	Orbit	
Exposures	1	F657N_OR BIT1	(21) NGC4388	WFC3/UVIS, ACCUM, UVIS-FIX	F657N	FLASH=20	POS TARG 0,0	Prime + Parallel Group 1-4 in NGC4388_BB_NB (21)	219 Secs (219 Secs) [==>]	[1]
	2	F657N_OR BIT1	(21) NGC4388	WFC3/UVIS, ACCUM, UVIS-FIX	F657N	FLASH=20	POS TARG 0,0	Prime + Parallel Group 1-4 in NGC4388_BB_NB (21)	348 Secs (348 Secs) [==>]	[1]
	3	F438W_OR BIT1	(21) NGC4388	WFC3/UVIS, ACCUM, UVIS-FIX	F438W	FLASH=17	POS TARG 0,0	Prime + Parallel Group 1-4 in NGC4388_BB_NB (21)	348 Secs (348 Secs) [==>]	[1]
	4	F814W-PA R_ORBIT1	ANY	ACS/WFC, ACCUM, WFC	F814W			Prime + Parallel Group 1-4 in NGC4388_BB_NB (21)	700 Secs (700 Secs) [==>]	[1]
	5	F275W_OR BIT1	(21) NGC4388	WFC3/UVIS, ACCUM, UVIS-FIX	F275W	FLASH=20	POS TARG 0,0	Prime + Parallel Group 5-7 in NGC4388_BB_NB (21)	695 Secs (695 Secs) [==>]	[1]
	6	F555W_OR BIT1	(21) NGC4388	WFC3/UVIS, ACCUM, UVIS-FIX	F555W	FLASH=15	POS TARG 0,0	Prime + Parallel Group 5-7 in NGC4388_BB_NB (21)	203 Secs (203 Secs) [==>]	[1]
	7	F606W-PA R_ORBIT1	ANY	ACS/WFC, ACCUM, WFC	F606W			Prime + Parallel Group 5-7 in NGC4388_BB_NB (21)	700 Secs (700 Secs) [==>]	[1]
	8	F438W_OR BIT2	(21) NGC4388	WFC3/UVIS, ACCUM, UVIS-FIX	F438W	FLASH=17	POS TARG 0.172,1.803	Prime + Parallel Group 8-11 in NGC4388_BB_NB (21)	230 Secs (230 Secs) [==>]	[2]
	9	F657N_OR BIT2	(21) NGC4388	WFC3/UVIS, ACCUM, UVIS-FIX	F657N	FLASH=20	POS TARG 0.172,1.803	Prime + Parallel Group 8-11 in NGC4388_BB_NB (21)	348 Secs (348 Secs) [==>]	[2]
	10	F657N_OR BIT2	(21) NGC4388	WFC3/UVIS, ACCUM, UVIS-FIX	F657N	FLASH=20	POS TARG 0.172,1.803	Prime + Parallel Group 8-11 in NGC4388_BB_NB (21)	348 Secs (348 Secs) [==>]	[2]
	11	F606W-PA R_ORBIT2	ANY	ACS/WFC, ACCUM, WFC	F606W			Prime + Parallel Group 8-11 in NGC4388_BB_NB (21)	800 Secs (800 Secs) [==>]	[2]
	12	F275W_OR BIT2	(21) NGC4388	WFC3/UVIS, ACCUM, UVIS-FIX	F275W	FLASH=20	POS TARG 0.172,1.803	Prime + Parallel Group 12-14 in NGC4388_BB_NB (21)	668 Secs (668 Secs) [==>]	[2]
	13	F555W_OR BIT2	(21) NGC4388	WFC3/UVIS, ACCUM, UVIS-FIX	F555W	FLASH=15	POS TARG 0.172,1.803	Prime + Parallel Group 12-14 in NGC4388_BB_NB (21)	212 Secs (212 Secs) [==>]	[2]
	14	F814W-PA R_ORBIT2	ANY	ACS/WFC, ACCUM, WFC	F814W			Prime + Parallel Group 12-14 in NGC4388_BB_NB (21)	700 Secs (700 Secs) [==>]	[2]
	15	F438W_OR BIT3	(21) NGC4388	WFC3/UVIS, ACCUM, UVIS-FIX	F438W	FLASH=17	POS TARG 0.343,3.606	Prime + Parallel Group 15-18 in NGC4388_BB_NB (21)	225 Secs (225 Secs) [==>]	[3]
	16	F657N_OR BIT3	(21) NGC4388	WFC3/UVIS, ACCUM, UVIS-FIX	F657N	FLASH=20	POS TARG 0.343,3.606	Prime + Parallel Group 15-18 in NGC4388_BB_NB (21)	348 Secs (348 Secs) [==>]	[3]
	17	F657N_OR BIT3	(21) NGC4388	WFC3/UVIS, ACCUM, UVIS-FIX	F657N	FLASH=20	POS TARG 0.343,3.606	Prime + Parallel Group 15-18 in NGC4388_BB_NB (21)	370 Secs (370 Secs) [==>]	[3]
	18	F814W-PA R_ORBIT3	ANY	ACS/WFC, ACCUM, WFC	F814W			Prime + Parallel Group 15-18 in NGC4388_BB_NB (21)	900 Secs (900 Secs) [==>]	[3]

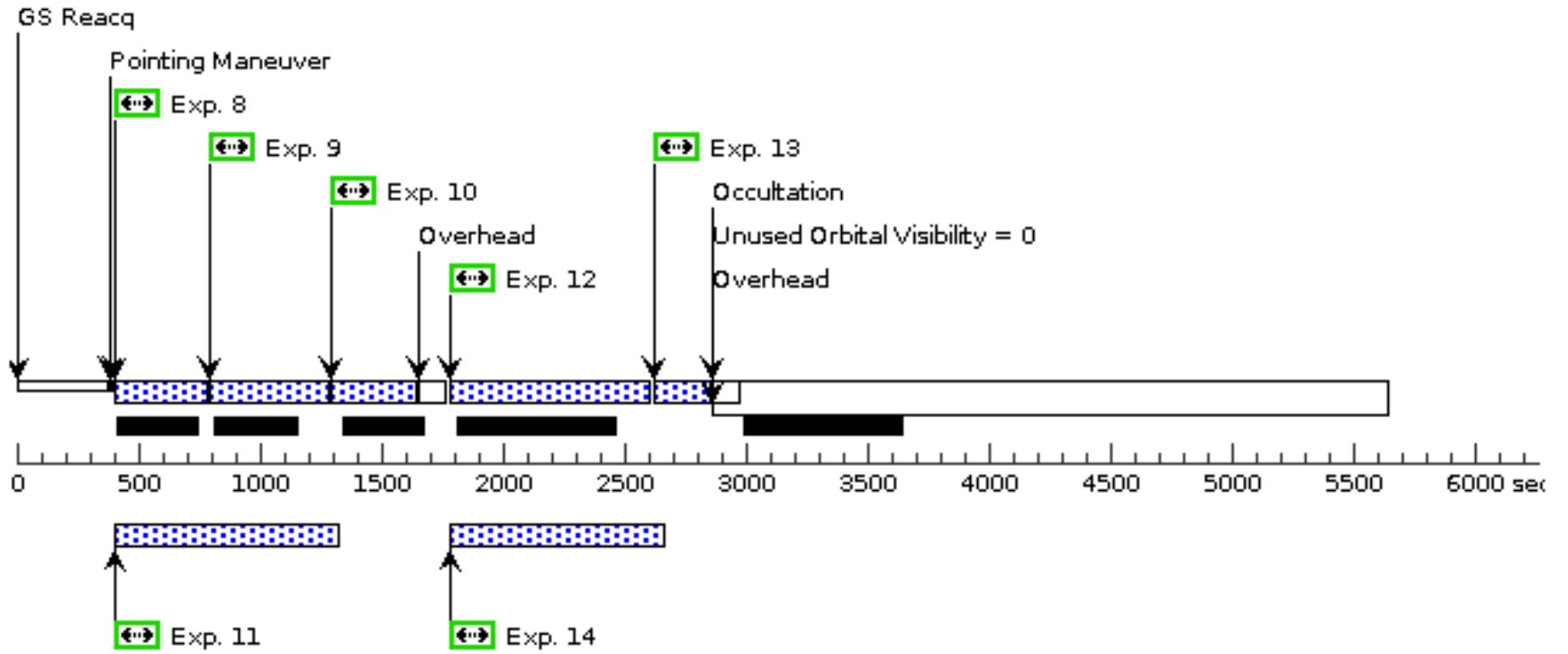
Proposal 18103 - NGC4388 BB NB (21) - Anatomy of a fall: Dissecting the environment-driven transformation of late-type Virgo clust...

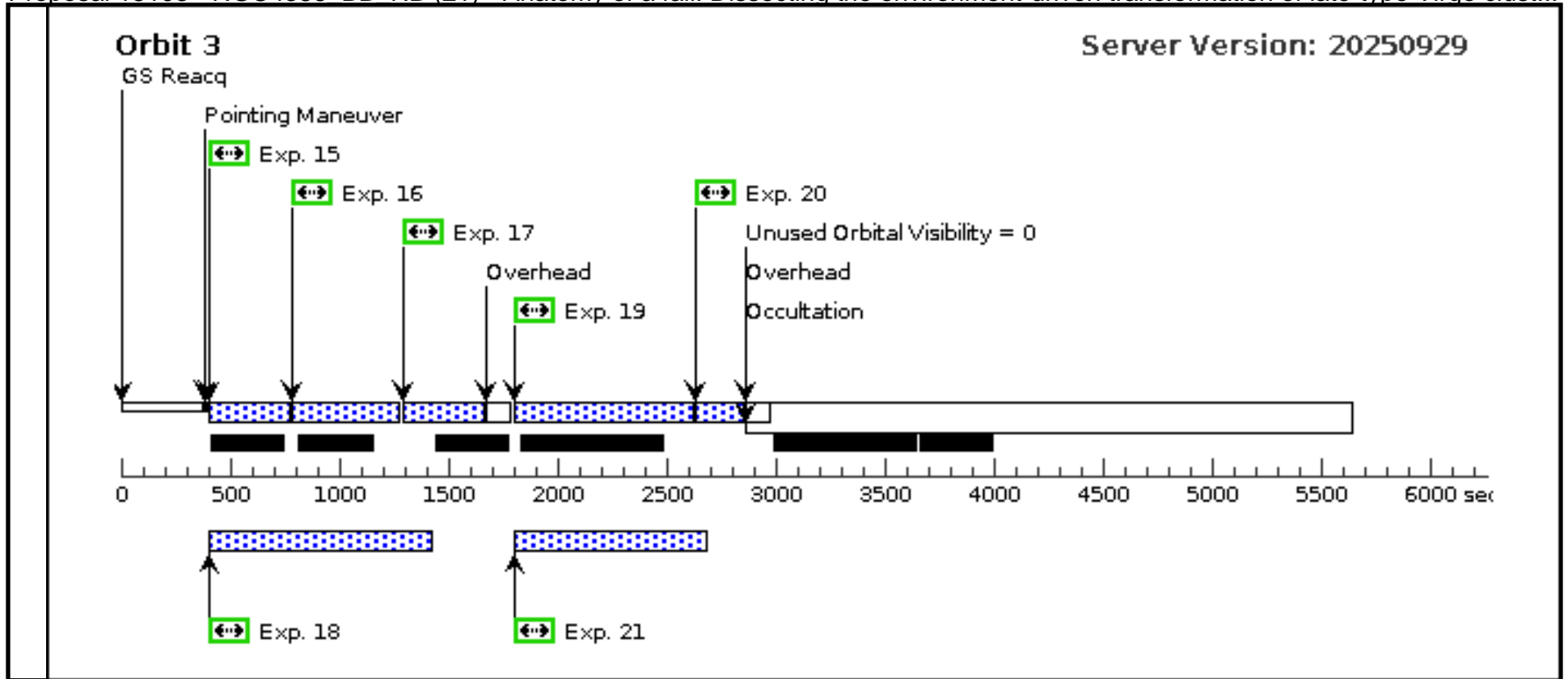
19	F275W_OR BIT3	(21) NGC4388	WFC3/UVIS, ACCUM, UVIS-FIX	F275W	FLASH=20	POS TARG 0.343,3. 606	Prime + Parallel Gro up 19-21 in NGC438 8_BB_NB (21)	665 Secs (665 Secs) [==>]	[3]
20	F555W_OR BIT3	(21) NGC4388	WFC3/UVIS, ACCUM, UVIS-FIX	F555W	FLASH=15	POS TARG 0.343,3. 606	Prime + Parallel Gro up 19-21 in NGC438 8_BB_NB (21)	196 Secs (196 Secs) [==>]	[3]
21	F606W-PA R_ORBIT3	ANY	ACS/WFC, ACCUM, WFC	F606W			Prime + Parallel Gro up 19-21 in NGC438 8_BB_NB (21)	700 Secs (700 Secs) [==>]	[3]



Orbit 2

Server Version: 20250929





Proposal 18103 - NGC4394 BB (22) - Anatomy of a fall: Dissecting the environment-driven transformation of late-type Virgo cluster ga...

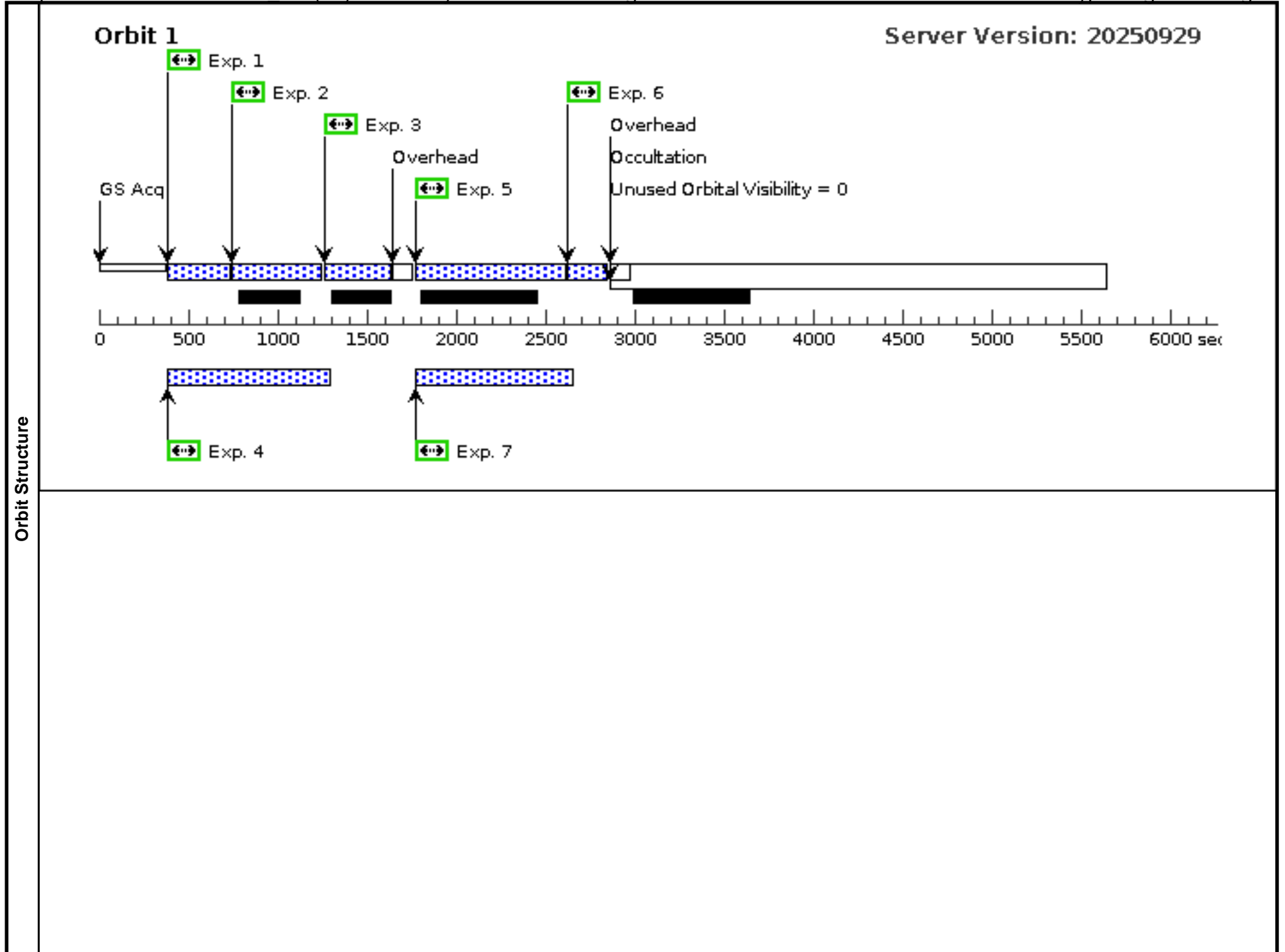
Visit	Proposal 18103, NGC4394_BB (22), completed Wed Feb 04 15:01:58 GMT 2026 Diagnostic Status: No Diagnostics Scientific Instruments: WFC3/UVIS, ACS/WFC Special Requirements: SCHED 100%; ORIENT 305D TO 315 D; GROUP 22,59 WITHIN 70D Comments: NUBVIHa (I subarray waiver?)					
	Fixed Targets	#	Name	Target Coordinates	Targ. Coord. Corrections	Fluxes
(22)		NGC4394	RA: 12 25 55.8337 (186.4826404d) Dec: +18 12 44.49 (18.21236d) Equinox: J2000		V=11	Reference Frame: ICRS
	Comments: Category=GALAXY Description=[SPIRAL]					

Proposal 18103 - NGC4394 BB (22) - Anatomy of a fall: Dissecting the environment-driven transformation of late-type Virgo cluster ga...

Exposures	#	Label	Target	Config,Mode,Aperture	Spectral Els.	Opt. Params.	Special Reqs.	Groups	Exp. Time (Total)/[Actual Dur.]	Orbit
	1	F814W_OR BIT1	(22) NGC4394	WFC3/UVIS, ACCUM, UVIS-FIX	F814W	FLASH=15	POS TARG 0,0	Prime + Parallel Group 1-4 in NGC4394_BB (22)	200 Secs (200 Secs) [==>]	[1]
	2	F438W_OR BIT1	(22) NGC4394	WFC3/UVIS, ACCUM, UVIS-FIX	F438W	FLASH=17	POS TARG 0,0	Prime + Parallel Group 1-4 in NGC4394_BB (22)	348 Secs (348 Secs) [==>]	[1]
	3	F336W_OR BIT1	(22) NGC4394	WFC3/UVIS, ACCUM, UVIS-FIX	F336W	FLASH=20	POS TARG 0,0	Prime + Parallel Group 1-4 in NGC4394_BB (22)	348 Secs (348 Secs) [==>]	[1]
	4	F814W-PA R_ORBIT1	ANY	ACS/WFC, ACCUM, WFC	F814W			Prime + Parallel Group 1-4 in NGC4394_BB (22)	700 Secs (700 Secs) [==>]	[1]
	5	F275W_OR BIT1	(22) NGC4394	WFC3/UVIS, ACCUM, UVIS-FIX	F275W	FLASH=20	POS TARG 0,0	Prime + Parallel Group 5-7 in NGC4394_BB (22)	695 Secs (695 Secs) [==>]	[1]
	6	F555W_OR BIT1	(22) NGC4394	WFC3/UVIS, ACCUM, UVIS-FIX	F555W	FLASH=15	POS TARG 0,0	Prime + Parallel Group 5-7 in NGC4394_BB (22)	203 Secs (203 Secs) [==>]	[1]
	7	F606W-PA R_ORBIT1	ANY	ACS/WFC, ACCUM, WFC	F606W			Prime + Parallel Group 5-7 in NGC4394_BB (22)	700 Secs (700 Secs) [==>]	[1]
	8	F814W_OR BIT2	(22) NGC4394	WFC3/UVIS, ACCUM, UVIS-FIX	F814W	FLASH=15	POS TARG 0.172,1.803	Prime + Parallel Group 8-11 in NGC4394_BB (22)	259 Secs (259 Secs) [==>]	[2]
	9	F438W_OR BIT2	(22) NGC4394	WFC3/UVIS, ACCUM, UVIS-FIX	F438W	FLASH=17	POS TARG 0.172,1.803	Prime + Parallel Group 8-11 in NGC4394_BB (22)	348 Secs (348 Secs) [==>]	[2]
	10	F336W_OR BIT2	(22) NGC4394	WFC3/UVIS, ACCUM, UVIS-FIX	F336W	FLASH=20	POS TARG 0.172,1.803	Prime + Parallel Group 8-11 in NGC4394_BB (22)	300 Secs (300 Secs) [==>]	[2]
	11	F606W-PA R_ORBIT2	ANY	ACS/WFC, ACCUM, WFC	F606W			Prime + Parallel Group 8-11 in NGC4394_BB (22)	900 Secs (900 Secs) [==>]	[2]
	12	F275W_OR BIT2	(22) NGC4394	WFC3/UVIS, ACCUM, UVIS-FIX	F275W	FLASH=20	POS TARG 0.172,1.803	Prime + Parallel Group 12-14 in NGC4394_BB (22)	668 Secs (668 Secs) [==>]	[2]
	13	F555W_OR BIT2	(22) NGC4394	WFC3/UVIS, ACCUM, UVIS-FIX	F555W	FLASH=15	POS TARG 0.172,1.803	Prime + Parallel Group 12-14 in NGC4394_BB (22)	212 Secs (212 Secs) [==>]	[2]
	14	F814W-PA R_ORBIT2	ANY	ACS/WFC, ACCUM, WFC	F814W			Prime + Parallel Group 12-14 in NGC4394_BB (22)	700 Secs (700 Secs) [==>]	[2]
	15	F814W_OR BIT3	(22) NGC4394	WFC3/UVIS, ACCUM, UVIS-FIX	F814W	FLASH=15	POS TARG 0.343,3.606	Prime + Parallel Group 15-18 in NGC4394_BB (22)	226 Secs (226 Secs) [==>]	[3]
	16	F438W_OR BIT3	(22) NGC4394	WFC3/UVIS, ACCUM, UVIS-FIX	F438W	FLASH=17	POS TARG 0.343,3.606	Prime + Parallel Group 15-18 in NGC4394_BB (22)	348 Secs (348 Secs) [==>]	[3]
	17	F336W_OR BIT3	(22) NGC4394	WFC3/UVIS, ACCUM, UVIS-FIX	F336W	FLASH=20	POS TARG 0.343,3.606	Prime + Parallel Group 15-18 in NGC4394_BB (22)	348 Secs (348 Secs) [==>]	[3]
18	F814W-PA R_ORBIT3	ANY	ACS/WFC, ACCUM, WFC	F814W			Prime + Parallel Group 15-18 in NGC4394_BB (22)	900 Secs (900 Secs) [==>]	[3]	

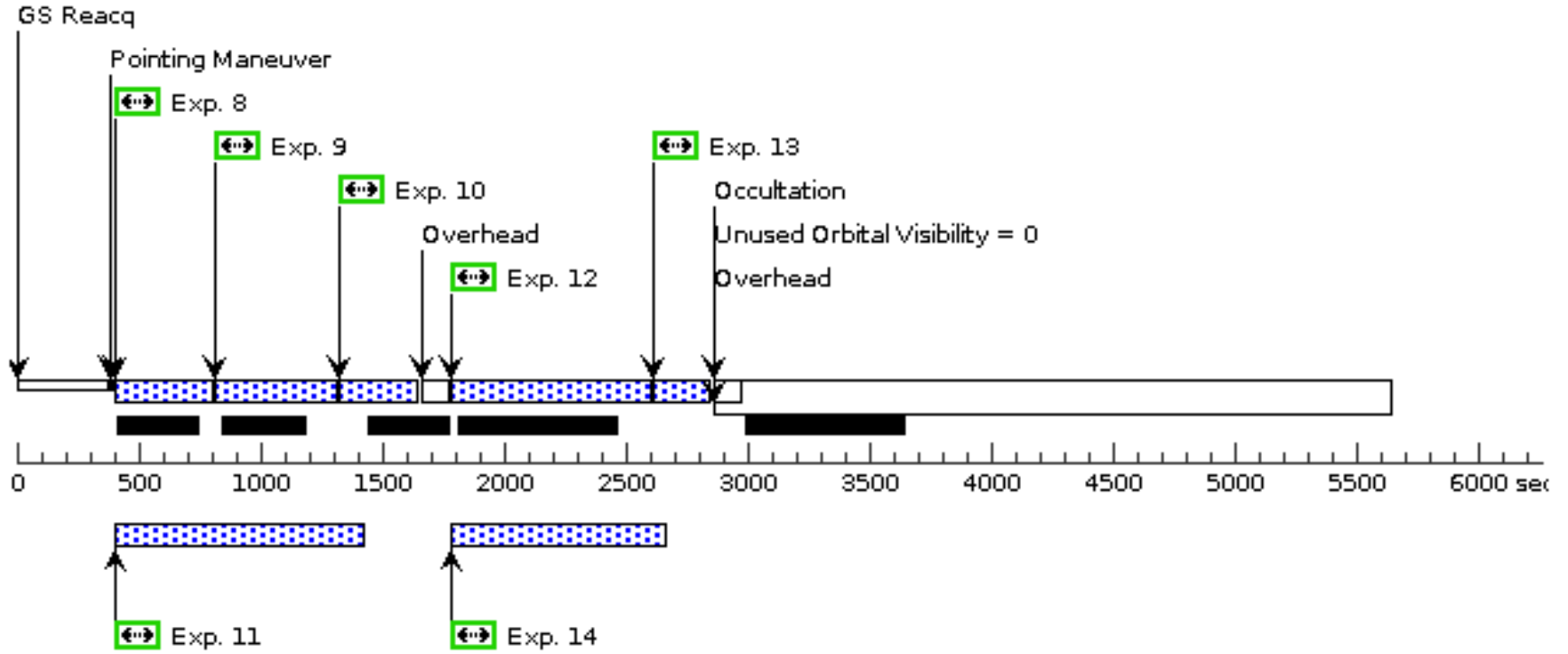
Proposal 18103 - NGC4394 BB (22) - Anatomy of a fall: Dissecting the environment-driven transformation of late-type Virgo cluster ga...

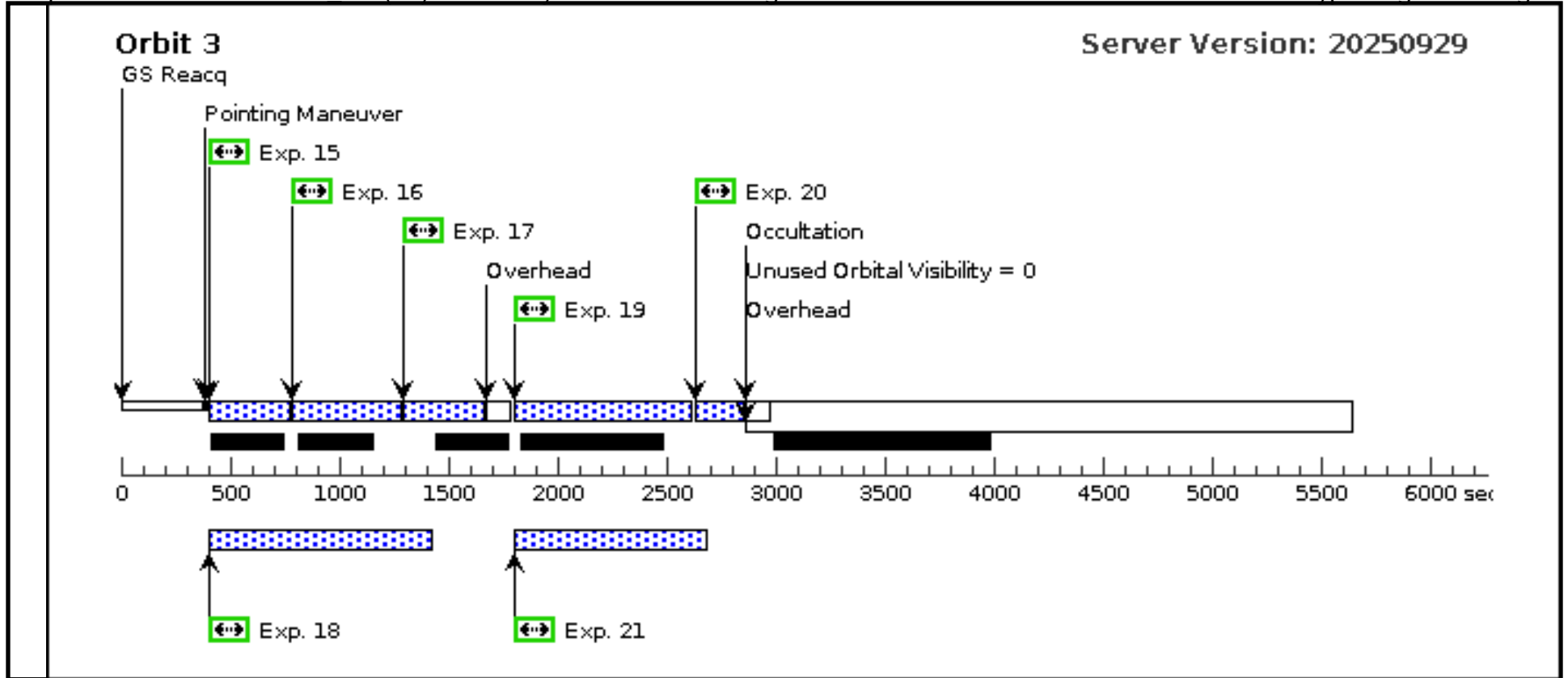
19	F275W_OR BIT3	(22) NGC4394	WFC3/UVIS, ACCUM, UVIS-FIX	F275W	FLASH=20	POS TARG 0.343,3. 606	Prime + Parallel Gro up 19-21 in NGC439 4_BB (22)	665 Secs (665 Secs) [==>]	[3]
20	F555W_OR BIT3	(22) NGC4394	WFC3/UVIS, ACCUM, UVIS-FIX	F555W	FLASH=15	POS TARG 0.343,3. 606	Prime + Parallel Gro up 19-21 in NGC439 4_BB (22)	200 Secs (200 Secs) [==>]	[3]
21	F606W-PA R_ORBIT3	ANY	ACS/WFC, ACCUM, WFC	F606W			Prime + Parallel Gro up 19-21 in NGC439 4_BB (22)	700 Secs (700 Secs) [==>]	[3]



Orbit 2

Server Version: 20250929





Proposal 18103 - NGC4396 BB (23) - Anatomy of a fall: Dissecting the environment-driven transformation of late-type Virgo cluster ga...

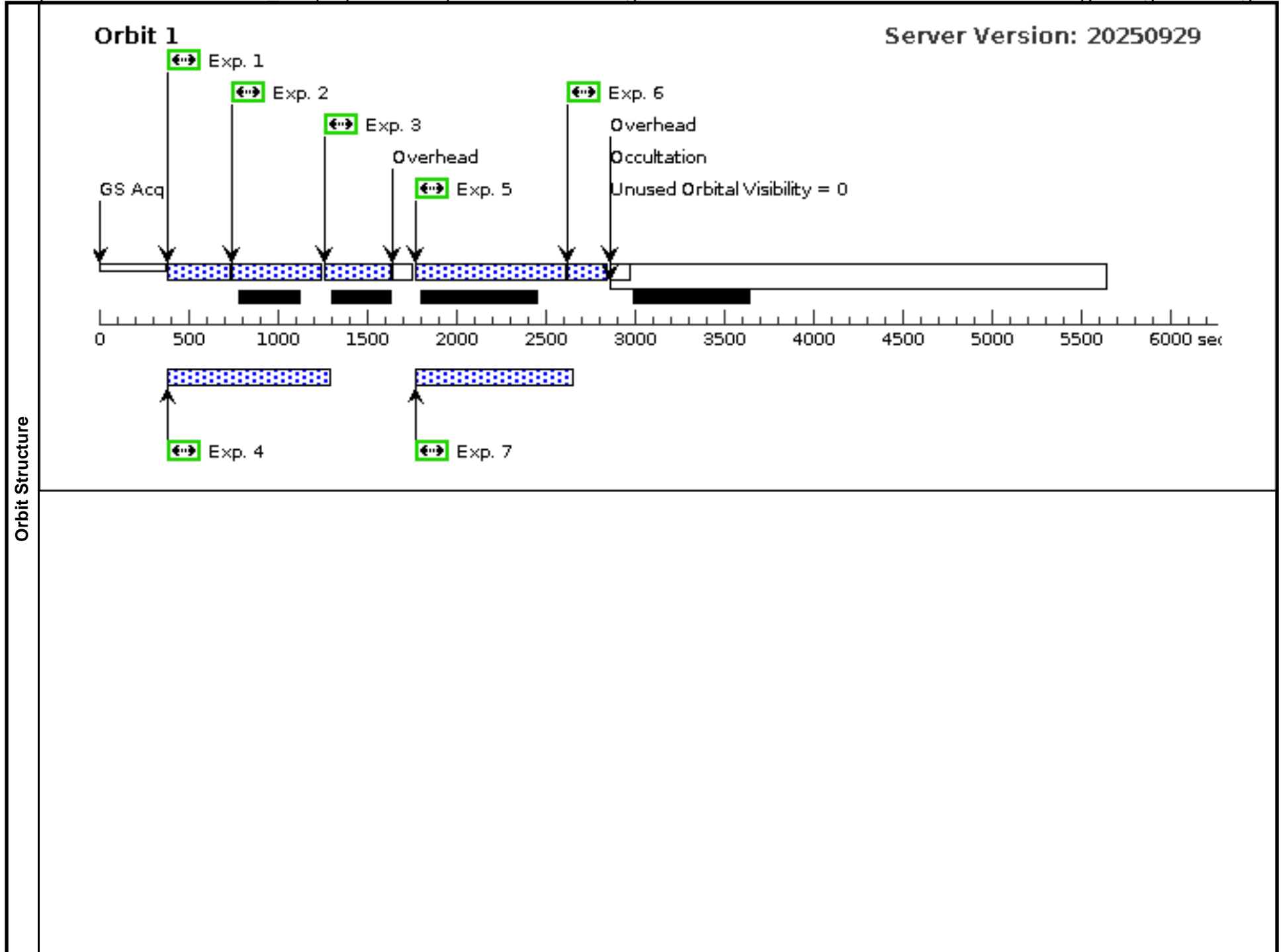
Visit	Proposal 18103, NGC4396_BB (23), completed Wed Feb 04 15:01:58 GMT 2026 Diagnostic Status: No Diagnostics Scientific Instruments: WFC3/UVIS, ACS/WFC Special Requirements: SCHED 100%; ORIENT 300D TO 308 D; GROUP 23,60 WITHIN 75D Comments: NUBVIHa					
	Fixed Targets	#	Name	Target Coordinates	Targ. Coord. Corrections	Fluxes
(23)		NGC4396	RA: 12 25 59.6771 (186.4986546d) Dec: +15 40 11.66 (15.66991d) Equinox: J2000		V=11	Reference Frame: ICRS
	Comments: Category=GALAXY Description=[SPIRAL]					

Proposal 18103 - NGC4396 BB (23) - Anatomy of a fall: Dissecting the environment-driven transformation of late-type Virgo cluster ga...

Exposures	#	Label	Target	Config,Mode,Aperture	Spectral Els.	Opt. Params.	Special Reqs.	Groups	Exp. Time (Total)/[Actual Dur.]	Orbit
	1	F814W_OR BIT1	(23) NGC4396	WFC3/UVIS, ACCUM, UVIS-FIX	F814W	FLASH=15	POS TARG 0,0	Prime + Parallel Group 1-4 in NGC4396_BB (23)	200 Secs (200 Secs) [==>]	[1]
	2	F438W_OR BIT1	(23) NGC4396	WFC3/UVIS, ACCUM, UVIS-FIX	F438W	FLASH=17	POS TARG 0,0	Prime + Parallel Group 1-4 in NGC4396_BB (23)	348 Secs (348 Secs) [==>]	[1]
	3	F336W_OR BIT1	(23) NGC4396	WFC3/UVIS, ACCUM, UVIS-FIX	F336W	FLASH=20	POS TARG 0,0	Prime + Parallel Group 1-4 in NGC4396_BB (23)	348 Secs (348 Secs) [==>]	[1]
	4	F814W-PA R_ORBIT1	ANY	ACS/WFC, ACCUM, WFC	F814W			Prime + Parallel Group 1-4 in NGC4396_BB (23)	700 Secs (700 Secs) [==>]	[1]
	5	F275W_OR BIT1	(23) NGC4396	WFC3/UVIS, ACCUM, UVIS-FIX	F275W	FLASH=20	POS TARG 0,0	Prime + Parallel Group 5-7 in NGC4396_BB (23)	695 Secs (695 Secs) [==>]	[1]
	6	F555W_OR BIT1	(23) NGC4396	WFC3/UVIS, ACCUM, UVIS-FIX	F555W	FLASH=15	POS TARG 0,0	Prime + Parallel Group 5-7 in NGC4396_BB (23)	203 Secs (203 Secs) [==>]	[1]
	7	F606W-PA R_ORBIT1	ANY	ACS/WFC, ACCUM, WFC	F606W			Prime + Parallel Group 5-7 in NGC4396_BB (23)	700 Secs (700 Secs) [==>]	[1]
	8	F814W_OR BIT2	(23) NGC4396	WFC3/UVIS, ACCUM, UVIS-FIX	F814W	FLASH=15	POS TARG 0.172,1.803	Prime + Parallel Group 8-11 in NGC4396_BB (23)	259 Secs (259 Secs) [==>]	[2]
	9	F438W_OR BIT2	(23) NGC4396	WFC3/UVIS, ACCUM, UVIS-FIX	F438W	FLASH=17	POS TARG 0.172,1.803	Prime + Parallel Group 8-11 in NGC4396_BB (23)	348 Secs (348 Secs) [==>]	[2]
	10	F336W_OR BIT2	(23) NGC4396	WFC3/UVIS, ACCUM, UVIS-FIX	F336W	FLASH=20	POS TARG 0.172,1.803	Prime + Parallel Group 8-11 in NGC4396_BB (23)	300 Secs (300 Secs) [==>]	[2]
	11	F606W-PA R_ORBIT2	ANY	ACS/WFC, ACCUM, WFC	F606W			Prime + Parallel Group 8-11 in NGC4396_BB (23)	900 Secs (900 Secs) [==>]	[2]
	12	F275W_OR BIT2	(23) NGC4396	WFC3/UVIS, ACCUM, UVIS-FIX	F275W	FLASH=20	POS TARG 0.172,1.803	Prime + Parallel Group 12-14 in NGC4396_BB (23)	668 Secs (668 Secs) [==>]	[2]
	13	F555W_OR BIT2	(23) NGC4396	WFC3/UVIS, ACCUM, UVIS-FIX	F555W	FLASH=15	POS TARG 0.172,1.803	Prime + Parallel Group 12-14 in NGC4396_BB (23)	212 Secs (212 Secs) [==>]	[2]
	14	F814W-PA R_ORBIT2	ANY	ACS/WFC, ACCUM, WFC	F814W			Prime + Parallel Group 12-14 in NGC4396_BB (23)	700 Secs (700 Secs) [==>]	[2]
	15	F814W_OR BIT3	(23) NGC4396	WFC3/UVIS, ACCUM, UVIS-FIX	F814W	FLASH=15	POS TARG 0.343,3.606	Prime + Parallel Group 15-18 in NGC4396_BB (23)	226 Secs (226 Secs) [==>]	[3]
	16	F438W_OR BIT3	(23) NGC4396	WFC3/UVIS, ACCUM, UVIS-FIX	F438W	FLASH=17	POS TARG 0.343,3.606	Prime + Parallel Group 15-18 in NGC4396_BB (23)	348 Secs (348 Secs) [==>]	[3]
	17	F336W_OR BIT3	(23) NGC4396	WFC3/UVIS, ACCUM, UVIS-FIX	F336W	FLASH=20	POS TARG 0.343,3.606	Prime + Parallel Group 15-18 in NGC4396_BB (23)	348 Secs (348 Secs) [==>]	[3]
18	F814W-PA R_ORBIT3	ANY	ACS/WFC, ACCUM, WFC	F814W			Prime + Parallel Group 15-18 in NGC4396_BB (23)	900 Secs (900 Secs) [==>]	[3]	

Proposal 18103 - NGC4396 BB (23) - Anatomy of a fall: Dissecting the environment-driven transformation of late-type Virgo cluster ga...

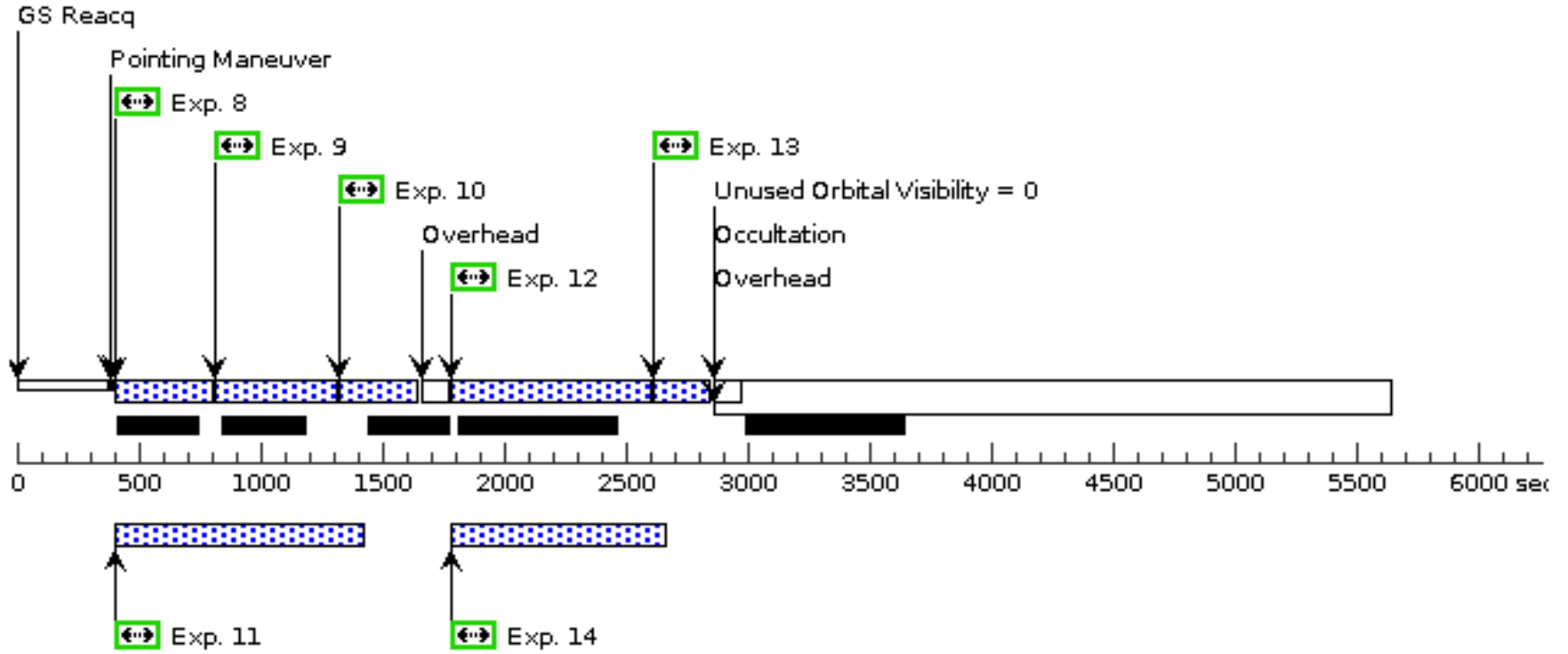
19	F275W_OR BIT3	(23) NGC4396	WFC3/UVIS, ACCUM, UVIS-FIX	F275W	FLASH=20	POS TARG 0.343,3. 606	Prime + Parallel Gro up 19-21 in NGC439 6_BB (23)	665 Secs (665 Secs) [==>]	[3]
20	F555W_OR BIT3	(23) NGC4396	WFC3/UVIS, ACCUM, UVIS-FIX	F555W	FLASH=15	POS TARG 0.343,3. 606	Prime + Parallel Gro up 19-21 in NGC439 6_BB (23)	200 Secs (200 Secs) [==>]	[3]
21	F606W-PA R_ORBIT3	ANY	ACS/WFC, ACCUM, WFC	F606W			Prime + Parallel Gro up 19-21 in NGC439 6_BB (23)	700 Secs (700 Secs) [==>]	[3]

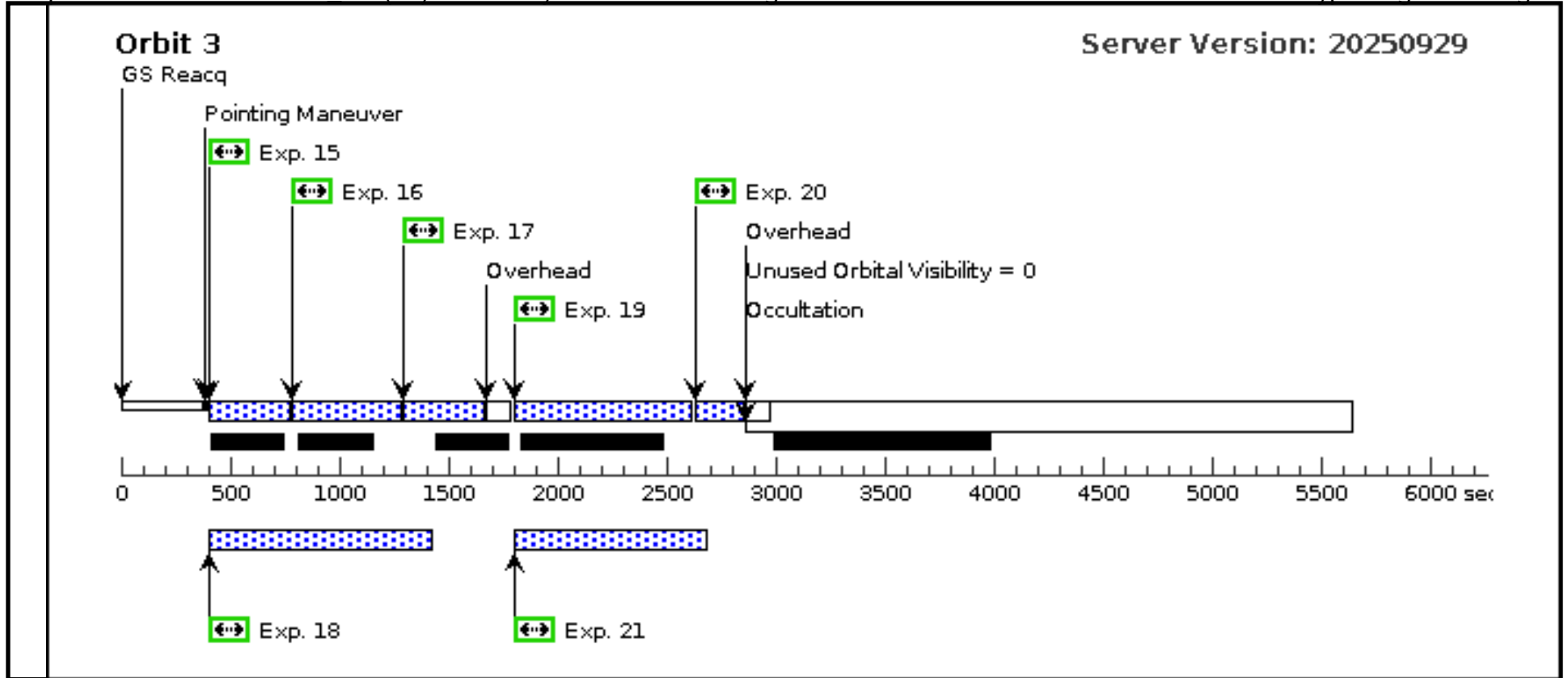


Orbit Structure

Orbit 2

Server Version: 20250929





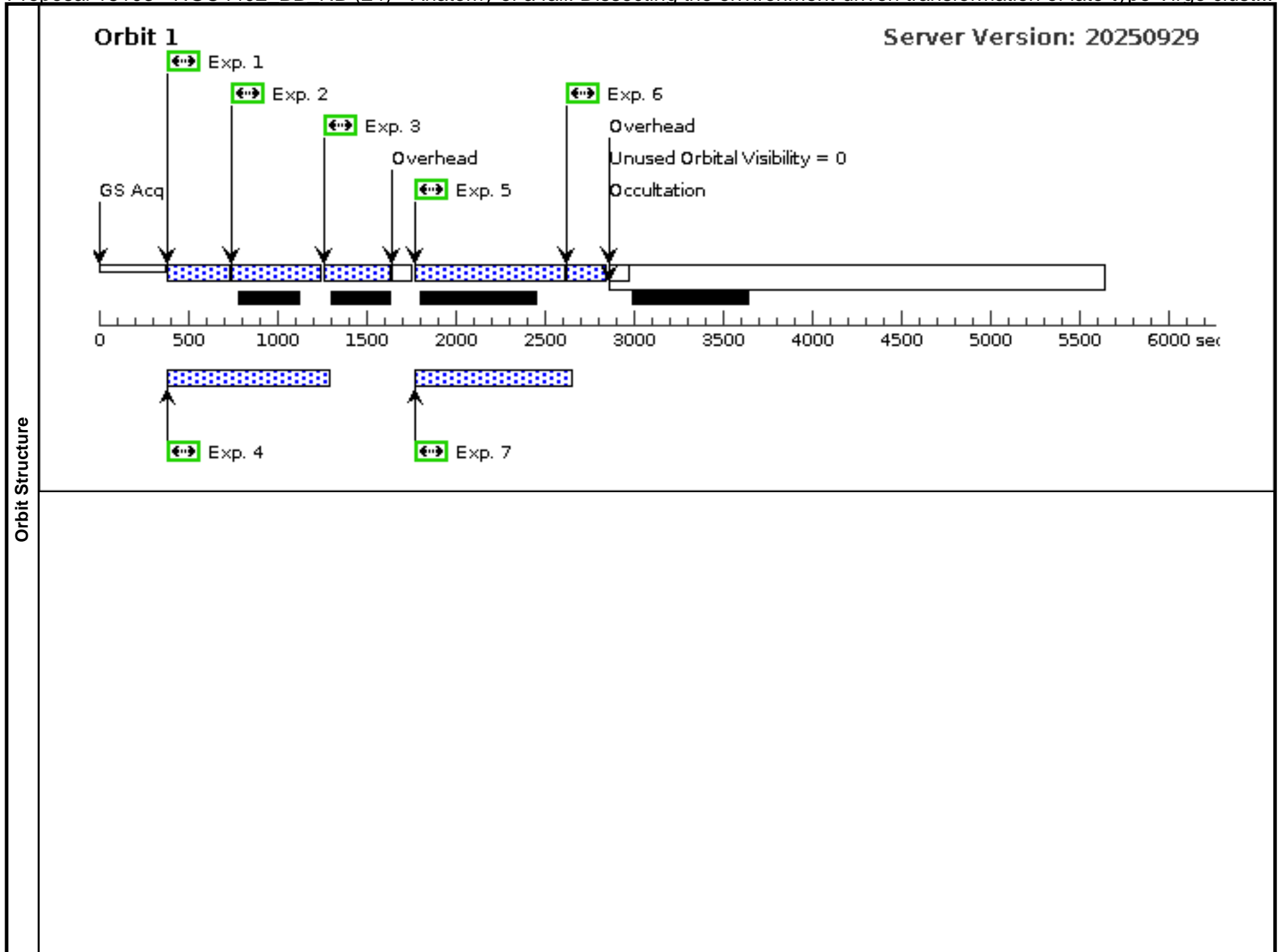
Visit	Proposal 18103, NGC4402_BB_NB (24), scheduling Diagnostic Status: No Diagnostics Scientific Instruments: WFC3/UVIS, ACS/WFC Special Requirements: SCHED 100%; ORIENT 251D TO 261 D Comments: 3orbits-NUV U V Ha + (archival B,I 435/814+606) Position and orient compatible with archival data												
	Fixed Targets	<table border="1"> <thead> <tr> <th>#</th> <th>Name</th> <th>Target Coordinates</th> <th>Targ. Coord. Corrections</th> <th>Fluxes</th> <th>Miscellaneous</th> </tr> </thead> <tbody> <tr> <td>(24)</td> <td>NGC4402</td> <td> RA: 12 26 8.4469 (186.5351954d) Dec: +13 06 53.14 (13.11476d) Equinox: J2000 </td> <td></td> <td>V=11</td> <td>Reference Frame: ICRS</td> </tr> </tbody> </table> Comments: Category=GALAXY Description=[SPIRAL]	#	Name	Target Coordinates	Targ. Coord. Corrections	Fluxes	Miscellaneous	(24)	NGC4402	RA: 12 26 8.4469 (186.5351954d) Dec: +13 06 53.14 (13.11476d) Equinox: J2000		V=11
#	Name	Target Coordinates	Targ. Coord. Corrections	Fluxes	Miscellaneous								
(24)	NGC4402	RA: 12 26 8.4469 (186.5351954d) Dec: +13 06 53.14 (13.11476d) Equinox: J2000		V=11	Reference Frame: ICRS								

Proposal 18103 - NGC4402 BB_NB (24) - Anatomy of a fall: Dissecting the environment-driven transformation of late-type Virgo clust...

#	Label	Target	Config,Mode,Aperture	Spectral Els.	Opt. Params.	Special Reqs.	Groups	Exp. Time (Total)/[Actual Dur.]	Orbit	
Exposures	1	F814W_OR BIT1	(24) NGC4402	WFC3/UVIS, ACCUM, UVIS-FIX	F814W	FLASH=15	POS TARG 0,0	Prime + Parallel Group 1-4 in NGC4402_BB_NB (24)	200 Secs (200 Secs) [==>]	[1]
	2	F438W_OR BIT1	(24) NGC4402	WFC3/UVIS, ACCUM, UVIS-FIX	F438W	FLASH=17	POS TARG 0,0	Prime + Parallel Group 1-4 in NGC4402_BB_NB (24)	348 Secs (348 Secs) [==>]	[1]
	3	F336W_OR BIT1	(24) NGC4402	WFC3/UVIS, ACCUM, UVIS-FIX	F336W	FLASH=20	POS TARG 0,0	Prime + Parallel Group 1-4 in NGC4402_BB_NB (24)	348 Secs (348 Secs) [==>]	[1]
	4	F814W-PA R_ORBIT1	ANY	ACS/WFC, ACCUM, WFC	F814W			Prime + Parallel Group 1-4 in NGC4402_BB_NB (24)	700 Secs (700 Secs) [==>]	[1]
	5	F275W_OR BIT1	(24) NGC4402	WFC3/UVIS, ACCUM, UVIS-FIX	F275W	FLASH=20	POS TARG 0,0	Prime + Parallel Group 5-7 in NGC4402_BB_NB (24)	695 Secs (695 Secs) [==>]	[1]
	6	F555W_OR BIT1	(24) NGC4402	WFC3/UVIS, ACCUM, UVIS-FIX	F555W	FLASH=15	POS TARG 0,0	Prime + Parallel Group 5-7 in NGC4402_BB_NB (24)	204 Secs (204 Secs) [==>]	[1]
	7	F606W-PA R_ORBIT1	ANY	ACS/WFC, ACCUM, WFC	F606W			Prime + Parallel Group 5-7 in NGC4402_BB_NB (24)	700 Secs (700 Secs) [==>]	[1]
	8	F814W_OR BIT2	(24) NGC4402	WFC3/UVIS, ACCUM, UVIS-FIX	F814W	FLASH=15	POS TARG 0.172,1.803	Prime + Parallel Group 8-11 in NGC4402_BB_NB (24)	260 Secs (260 Secs) [==>]	[2]
	9	F438W_OR BIT2	(24) NGC4402	WFC3/UVIS, ACCUM, UVIS-FIX	F438W	FLASH=17	POS TARG 0.172,1.803	Prime + Parallel Group 8-11 in NGC4402_BB_NB (24)	348 Secs (348 Secs) [==>]	[2]
	10	F336W_OR BIT2	(24) NGC4402	WFC3/UVIS, ACCUM, UVIS-FIX	F336W	FLASH=20	POS TARG 0.172,1.803	Prime + Parallel Group 8-11 in NGC4402_BB_NB (24)	300 Secs (300 Secs) [==>]	[2]
	11	F606W-PA R_ORBIT2	ANY	ACS/WFC, ACCUM, WFC	F606W			Prime + Parallel Group 8-11 in NGC4402_BB_NB (24)	900 Secs (900 Secs) [==>]	[2]
	12	F275W_OR BIT2	(24) NGC4402	WFC3/UVIS, ACCUM, UVIS-FIX	F275W	FLASH=20	POS TARG 0.172,1.803	Prime + Parallel Group 12-14 in NGC4402_BB_NB (24)	668 Secs (668 Secs) [==>]	[2]
	13	F555W_OR BIT2	(24) NGC4402	WFC3/UVIS, ACCUM, UVIS-FIX	F555W	FLASH=15	POS TARG 0.172,1.803	Prime + Parallel Group 12-14 in NGC4402_BB_NB (24)	212 Secs (212 Secs) [==>]	[2]
	14	F814W-PA R_ORBIT2	ANY	ACS/WFC, ACCUM, WFC	F814W			Prime + Parallel Group 12-14 in NGC4402_BB_NB (24)	700 Secs (700 Secs) [==>]	[2]
	15	F814W_OR BIT3	(24) NGC4402	WFC3/UVIS, ACCUM, UVIS-FIX	F814W	FLASH=15	POS TARG 0.343,3.606	Prime + Parallel Group 15-18 in NGC4402_BB_NB (24)	227 Secs (227 Secs) [==>]	[3]
	16	F438W_OR BIT3	(24) NGC4402	WFC3/UVIS, ACCUM, UVIS-FIX	F438W	FLASH=17	POS TARG 0.343,3.606	Prime + Parallel Group 15-18 in NGC4402_BB_NB (24)	348 Secs (348 Secs) [==>]	[3]
	17	F336W_OR BIT3	(24) NGC4402	WFC3/UVIS, ACCUM, UVIS-FIX	F336W	FLASH=20	POS TARG 0.343,3.606	Prime + Parallel Group 15-18 in NGC4402_BB_NB (24)	348 Secs (348 Secs) [==>]	[3]
	18	F814W-PA R_ORBIT3	ANY	ACS/WFC, ACCUM, WFC	F814W			Prime + Parallel Group 15-18 in NGC4402_BB_NB (24)	900 Secs (900 Secs) [==>]	[3]

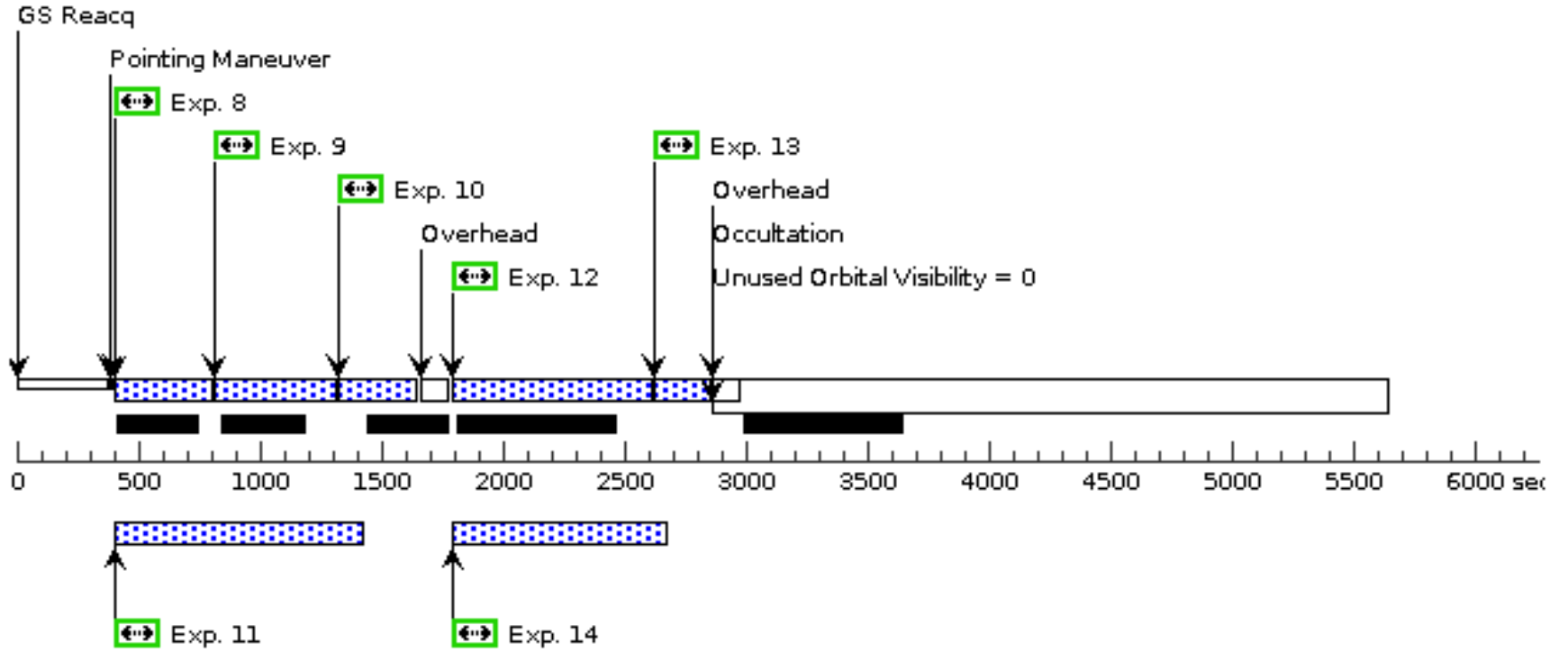
Proposal 18103 - NGC4402 BB NB (24) - Anatomy of a fall: Dissecting the environment-driven transformation of late-type Virgo clust...

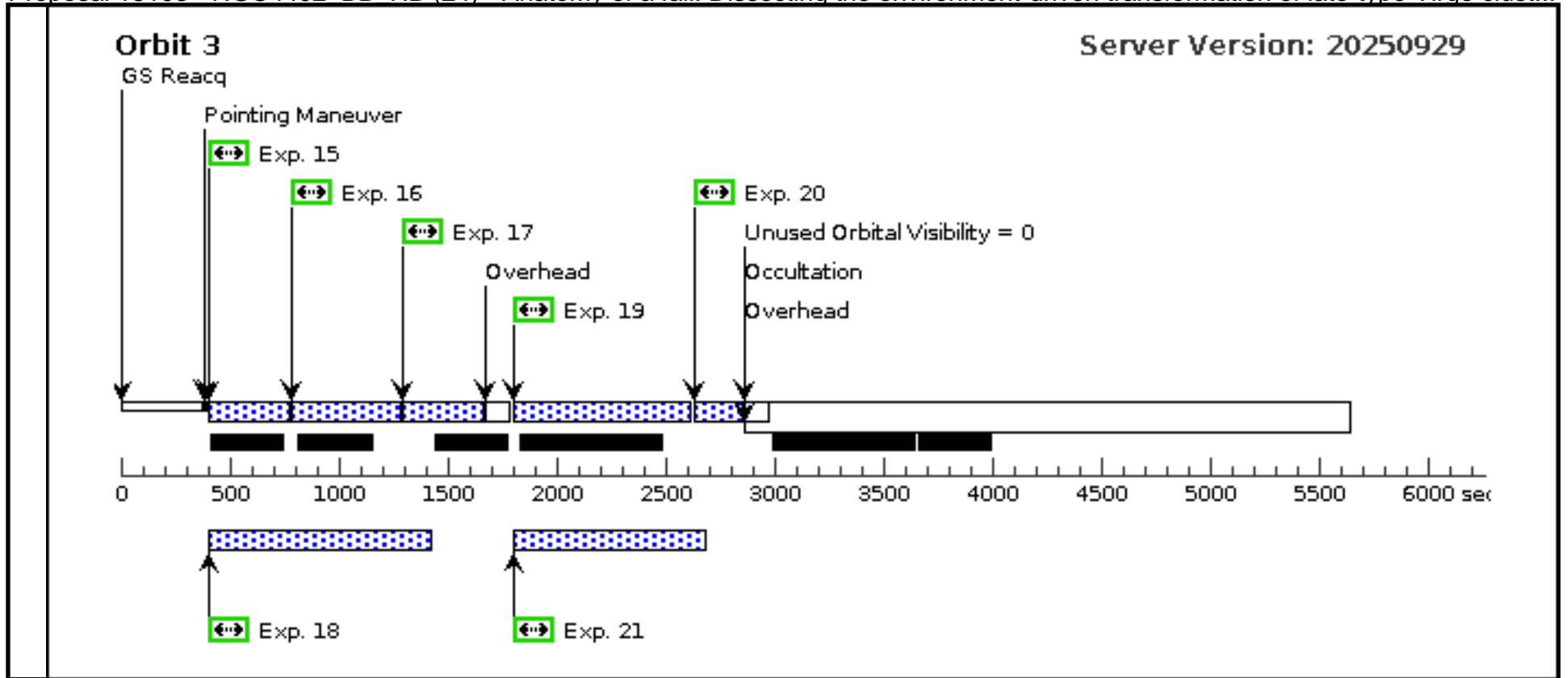
19	F275W_OR BIT3	(24) NGC4402	WFC3/UVIS, ACCUM, UVIS-FIX	F275W	FLASH=20	POS TARG 0.343,3. 606	Prime + Parallel Gro up 19-21 in NGC440 2_BB_NB (24)	665 Secs (665 Secs) [==>]	[3]
20	F555W_OR BIT3	(24) NGC4402	WFC3/UVIS, ACCUM, UVIS-FIX	F555W	FLASH=15	POS TARG 0.343,3. 606	Prime + Parallel Gro up 19-21 in NGC440 2_BB_NB (24)	200 Secs (200 Secs) [==>]	[3]
21	F606W-PA R_ORBIT3	ANY	ACS/WFC, ACCUM, WFC	F606W			Prime + Parallel Gro up 19-21 in NGC440 2_BB_NB (24)	700 Secs (700 Secs) [==>]	[3]



Orbit 2

Server Version: 20250929





Proposal 18103 - NGC4405_BB (25) - Anatomy of a fall: Dissecting the environment-driven transformation of late-type Virgo cluster ga...

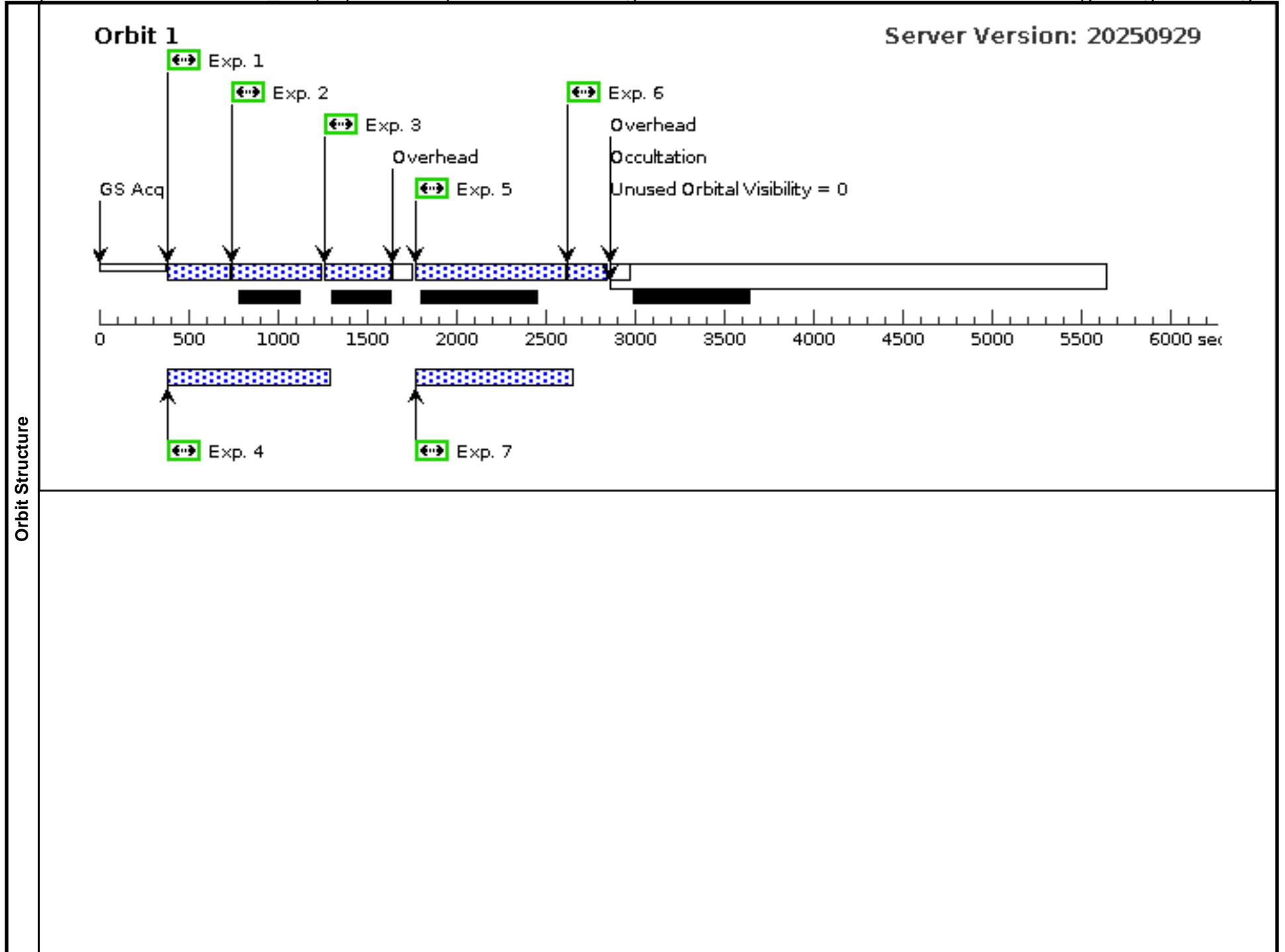
Visit	Proposal 18103, NGC4405_BB (25), scheduling Wed Feb 04 15:01:58 GMT 2026 Diagnostic Status: No Diagnostics Scientific Instruments: WFC3/UVIS, ACS/WFC Special Requirements: SCHED 100%; GROUP 25,62 WITHIN 30D <i>Comments: NUBVIHa</i>					
	Fixed Targets	#	Name	Target Coordinates	Targ. Coord. Corrections	Fluxes
(25)		NGC4405	RA: 12 26 7.1372 (186.5297383d) Dec: +16 10 51.58 (16.18099d) Equinox: J2000		V=11	Reference Frame: ICRS
<i>Comments:</i> Category=GALAXY Description=[SPIRAL]						

Proposal 18103 - NGC4405 BB (25) - Anatomy of a fall: Dissecting the environment-driven transformation of late-type Virgo cluster ga...

Exposures	#	Label	Target	Config,Mode,Aperture	Spectral Els.	Opt. Params.	Special Reqs.	Groups	Exp. Time (Total)/[Actual Dur.]	Orbit
	1	F814W_OR BIT1	(25) NGC4405	WFC3/UVIS, ACCUM, UVIS-FIX	F814W	FLASH=15	POS TARG 0,0	Prime + Parallel Group 1-4 in NGC4405_BB (25)	200 Secs (200 Secs) [==>]	[1]
	2	F438W_OR BIT1	(25) NGC4405	WFC3/UVIS, ACCUM, UVIS-FIX	F438W	FLASH=17	POS TARG 0,0	Prime + Parallel Group 1-4 in NGC4405_BB (25)	348 Secs (348 Secs) [==>]	[1]
	3	F336W_OR BIT1	(25) NGC4405	WFC3/UVIS, ACCUM, UVIS-FIX	F336W	FLASH=20	POS TARG 0,0	Prime + Parallel Group 1-4 in NGC4405_BB (25)	348 Secs (348 Secs) [==>]	[1]
	4	F814W-PA R_ORBIT1	ANY	ACS/WFC, ACCUM, WFC	F814W			Prime + Parallel Group 1-4 in NGC4405_BB (25)	700 Secs (700 Secs) [==>]	[1]
	5	F275W_OR BIT1	(25) NGC4405	WFC3/UVIS, ACCUM, UVIS-FIX	F275W	FLASH=20	POS TARG 0,0	Prime + Parallel Group 5-7 in NGC4405_BB (25)	695 Secs (695 Secs) [==>]	[1]
	6	F555W_OR BIT1	(25) NGC4405	WFC3/UVIS, ACCUM, UVIS-FIX	F555W	FLASH=15	POS TARG 0,0	Prime + Parallel Group 5-7 in NGC4405_BB (25)	203 Secs (203 Secs) [==>]	[1]
	7	F606W-PA R_ORBIT1	ANY	ACS/WFC, ACCUM, WFC	F606W			Prime + Parallel Group 5-7 in NGC4405_BB (25)	700 Secs (700 Secs) [==>]	[1]
	8	F814W_OR BIT2	(25) NGC4405	WFC3/UVIS, ACCUM, UVIS-FIX	F814W	FLASH=15	POS TARG 0.172,1.803	Prime + Parallel Group 8-11 in NGC4405_BB (25)	259 Secs (259 Secs) [==>]	[2]
	9	F438W_OR BIT2	(25) NGC4405	WFC3/UVIS, ACCUM, UVIS-FIX	F438W	FLASH=17	POS TARG 0.172,1.803	Prime + Parallel Group 8-11 in NGC4405_BB (25)	348 Secs (348 Secs) [==>]	[2]
	10	F336W_OR BIT2	(25) NGC4405	WFC3/UVIS, ACCUM, UVIS-FIX	F336W	FLASH=20	POS TARG 0.172,1.803	Prime + Parallel Group 8-11 in NGC4405_BB (25)	300 Secs (300 Secs) [==>]	[2]
	11	F606W-PA R_ORBIT2	ANY	ACS/WFC, ACCUM, WFC	F606W			Prime + Parallel Group 8-11 in NGC4405_BB (25)	900 Secs (900 Secs) [==>]	[2]
	12	F275W_OR BIT2	(25) NGC4405	WFC3/UVIS, ACCUM, UVIS-FIX	F275W	FLASH=20	POS TARG 0.172,1.803	Prime + Parallel Group 12-14 in NGC4405_BB (25)	668 Secs (668 Secs) [==>]	[2]
	13	F555W_OR BIT2	(25) NGC4405	WFC3/UVIS, ACCUM, UVIS-FIX	F555W	FLASH=15	POS TARG 0.172,1.803	Prime + Parallel Group 12-14 in NGC4405_BB (25)	212 Secs (212 Secs) [==>]	[2]
	14	F814W-PA R_ORBIT2	ANY	ACS/WFC, ACCUM, WFC	F814W			Prime + Parallel Group 12-14 in NGC4405_BB (25)	700 Secs (700 Secs) [==>]	[2]
	15	F814W_OR BIT3	(25) NGC4405	WFC3/UVIS, ACCUM, UVIS-FIX	F814W	FLASH=15	POS TARG 0.343,3.606	Prime + Parallel Group 15-18 in NGC4405_BB (25)	226 Secs (226 Secs) [==>]	[3]
	16	F438W_OR BIT3	(25) NGC4405	WFC3/UVIS, ACCUM, UVIS-FIX	F438W	FLASH=17	POS TARG 0.343,3.606	Prime + Parallel Group 15-18 in NGC4405_BB (25)	348 Secs (348 Secs) [==>]	[3]
	17	F336W_OR BIT3	(25) NGC4405	WFC3/UVIS, ACCUM, UVIS-FIX	F336W	FLASH=20	POS TARG 0.343,3.606	Prime + Parallel Group 15-18 in NGC4405_BB (25)	348 Secs (348 Secs) [==>]	[3]
18	F814W-PA R_ORBIT3	ANY	ACS/WFC, ACCUM, WFC	F814W			Prime + Parallel Group 15-18 in NGC4405_BB (25)	900 Secs (900 Secs) [==>]	[3]	

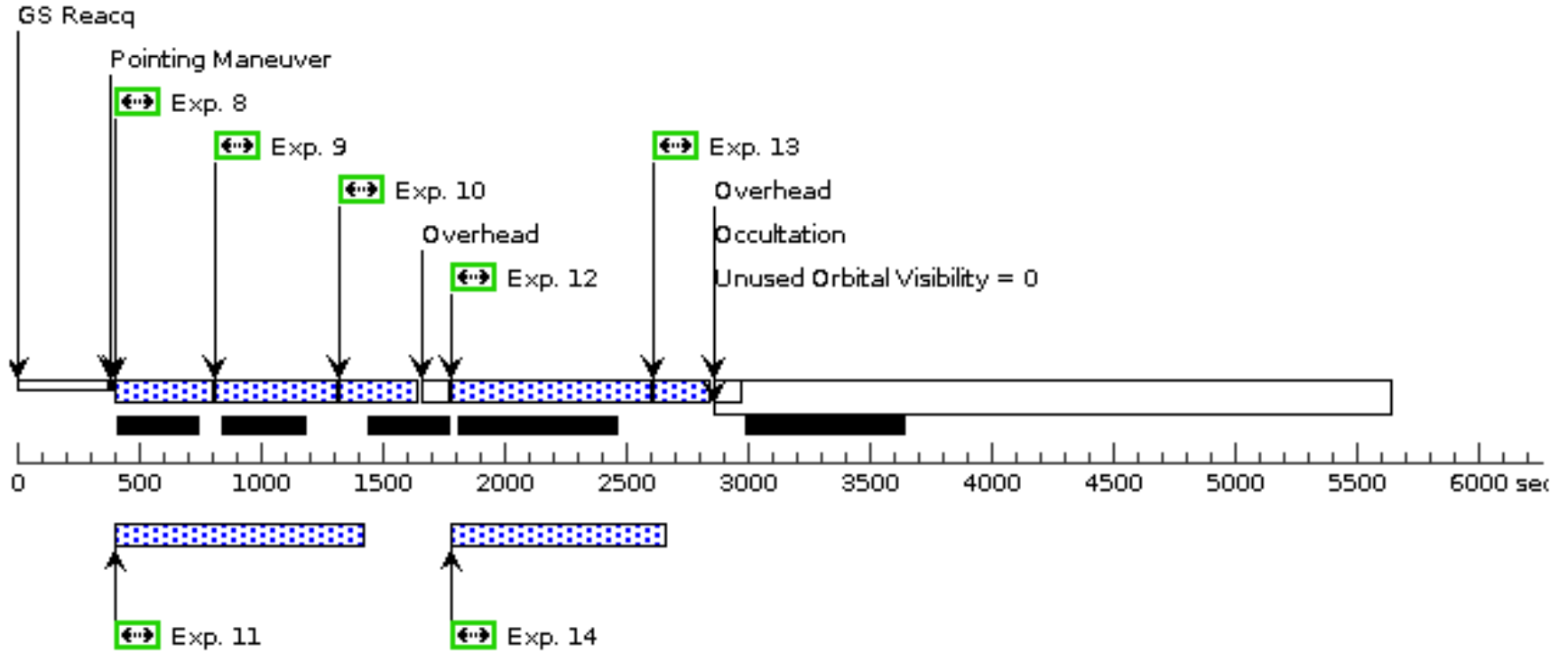
Proposal 18103 - NGC4405 BB (25) - Anatomy of a fall: Dissecting the environment-driven transformation of late-type Virgo cluster ga...

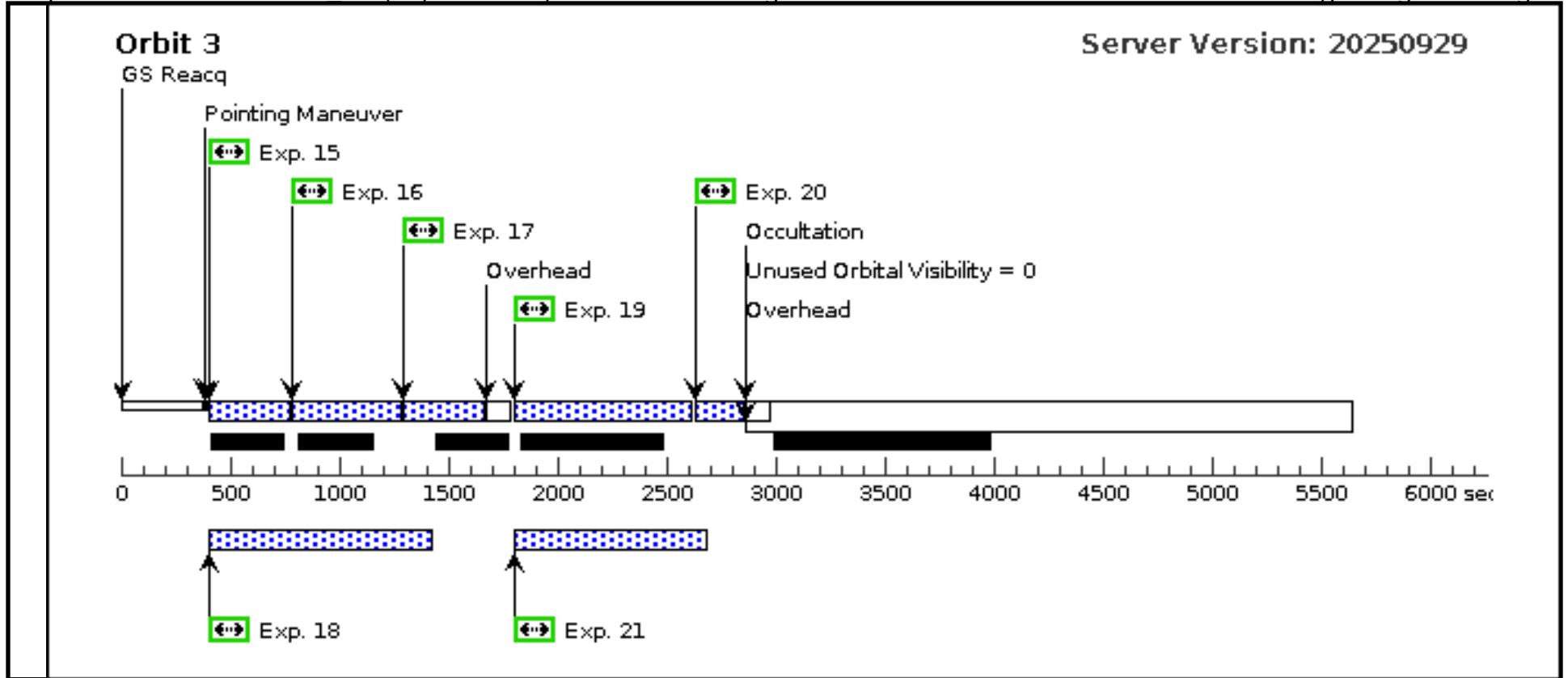
19	F275W_OR BIT3	(25) NGC4405	WFC3/UVIS, ACCUM, UVIS-FIX	F275W	FLASH=20	POS TARG 0.343,3. 606	Prime + Parallel Gro up 19-21 in NGC440 5_BB (25)	665 Secs (665 Secs) [==>]	[3]
20	F555W_OR BIT3	(25) NGC4405	WFC3/UVIS, ACCUM, UVIS-FIX	F555W	FLASH=15	POS TARG 0.343,3. 606	Prime + Parallel Gro up 19-21 in NGC440 5_BB (25)	200 Secs (200 Secs) [==>]	[3]
21	F606W-PA R_ORBIT3	ANY	ACS/WFC, ACCUM, WFC	F606W			Prime + Parallel Gro up 19-21 in NGC440 5_BB (25)	700 Secs (700 Secs) [==>]	[3]



Orbit 2

Server Version: 20250929





Proposal 18103 - NGC4419_BB (26) - Anatomy of a fall: Dissecting the environment-driven transformation of late-type Virgo cluster ga...

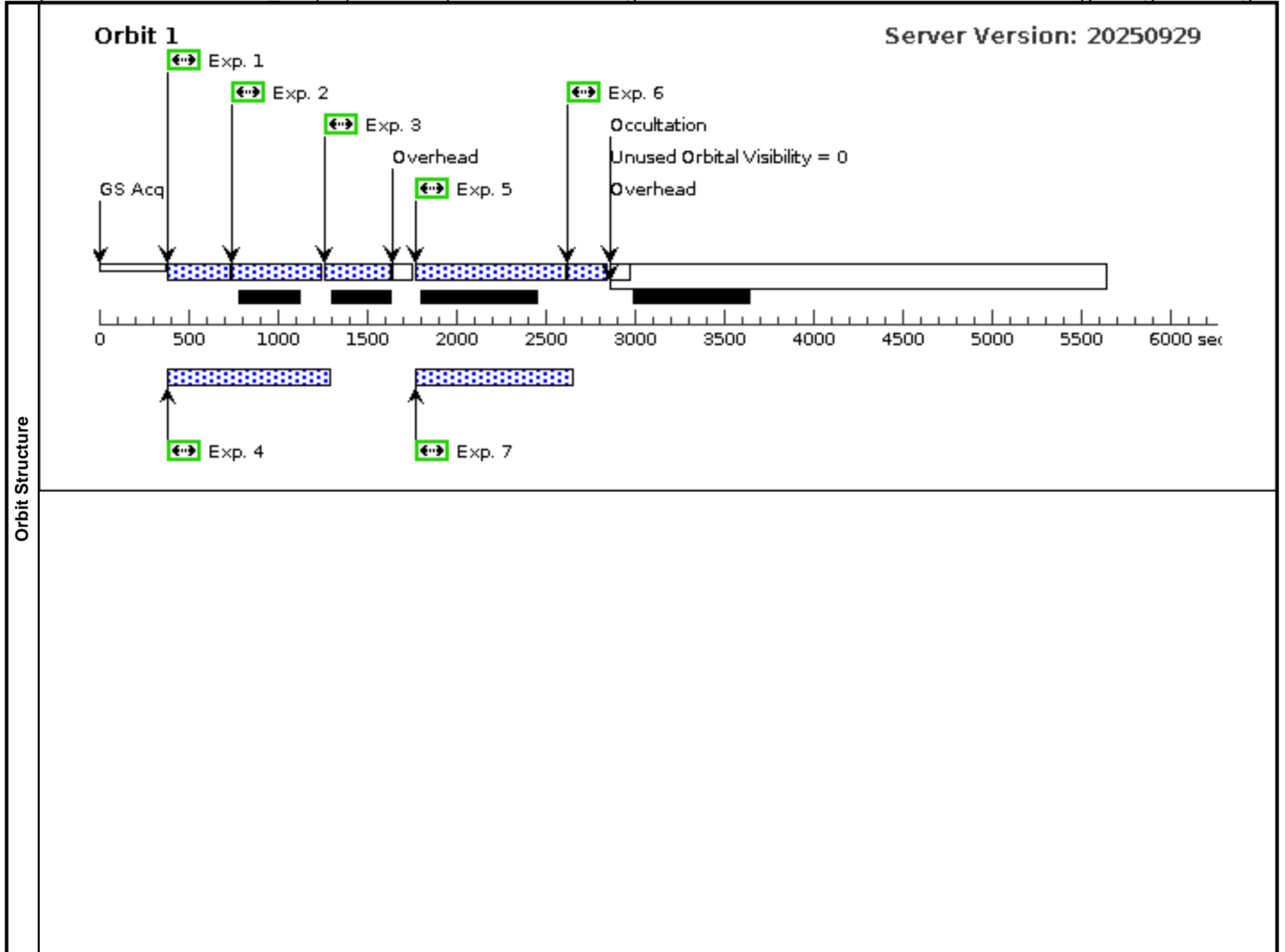
Visit	Proposal 18103, NGC4419_BB (26), scheduling Wed Feb 04 15:01:59 GMT 2026 Diagnostic Status: No Diagnostics Scientific Instruments: WFC3/UVIS, ACS/WFC Special Requirements: SCHED 100%; ORIENT 294D TO 299 D; GROUP 26,63 WITHIN 30D <i>Comments: NUBVIHa</i>					
	Fixed Targets	#	Name	Target Coordinates	Targ. Coord. Corrections	Fluxes
(26)		NGC4419	RA: 12 26 56.4505 (186.7352104d) Dec: +15 02 50.69 (15.04741d) Equinox: J2000		V=11	Reference Frame: ICRS
<i>Comments:</i> Category= <i>GALAXY</i> Description= <i>[SPIRAL]</i>						

Proposal 18103 - NGC4419 BB (26) - Anatomy of a fall: Dissecting the environment-driven transformation of late-type Virgo cluster ga...

Exposures	#	Label	Target	Config,Mode,Aperture	Spectral Els.	Opt. Params.	Special Reqs.	Groups	Exp. Time (Total)/[Actual Dur.]	Orbit
	1	F814W_OR BIT1	(26) NGC4419	WFC3/UVIS, ACCUM, UVIS-FIX	F814W	FLASH=15	POS TARG 0,0	Prime + Parallel Gro up 1-4 in NGC4419_ BB (26)	200 Secs (200 Secs) [==>]	[1]
	2	F438W_OR BIT1	(26) NGC4419	WFC3/UVIS, ACCUM, UVIS-FIX	F438W	FLASH=17	POS TARG 0,0	Prime + Parallel Gro up 1-4 in NGC4419_ BB (26)	348 Secs (348 Secs) [==>]	[1]
	3	F336W_OR BIT1	(26) NGC4419	WFC3/UVIS, ACCUM, UVIS-FIX	F336W	FLASH=20	POS TARG 0,0	Prime + Parallel Gro up 1-4 in NGC4419_ BB (26)	348 Secs (348 Secs) [==>]	[1]
	4	F814W-PA R_ORBIT1	ANY	ACS/WFC, ACCUM, WFC	F814W			Prime + Parallel Gro up 1-4 in NGC4419_ BB (26)	700 Secs (700 Secs) [==>]	[1]
	5	F275W_OR BIT1	(26) NGC4419	WFC3/UVIS, ACCUM, UVIS-FIX	F275W	FLASH=20	POS TARG 0,0	Prime + Parallel Gro up 5-7 in NGC4419_ BB (26)	695 Secs (695 Secs) [==>]	[1]
	6	F555W_OR BIT1	(26) NGC4419	WFC3/UVIS, ACCUM, UVIS-FIX	F555W	FLASH=15	POS TARG 0,0	Prime + Parallel Gro up 5-7 in NGC4419_ BB (26)	203 Secs (203 Secs) [==>]	[1]
	7	F606W-PA R_ORBIT1	ANY	ACS/WFC, ACCUM, WFC	F606W			Prime + Parallel Gro up 5-7 in NGC4419_ BB (26)	700 Secs (700 Secs) [==>]	[1]
	8	F814W_OR BIT2	(26) NGC4419	WFC3/UVIS, ACCUM, UVIS-FIX	F814W	FLASH=15	POS TARG 0.172,1. 803	Prime + Parallel Gro up 8-11 in NGC4419_ BB (26)	259 Secs (259 Secs) [==>]	[2]
	9	F438W_OR BIT2	(26) NGC4419	WFC3/UVIS, ACCUM, UVIS-FIX	F438W	FLASH=17	POS TARG 0.172,1. 803	Prime + Parallel Gro up 8-11 in NGC4419_ BB (26)	348 Secs (348 Secs) [==>]	[2]
	10	F336W_OR BIT2	(26) NGC4419	WFC3/UVIS, ACCUM, UVIS-FIX	F336W	FLASH=20	POS TARG 0.172,1. 803	Prime + Parallel Gro up 8-11 in NGC4419_ BB (26)	300 Secs (300 Secs) [==>]	[2]
	11	F606W-PA R_ORBIT2	ANY	ACS/WFC, ACCUM, WFC	F606W			Prime + Parallel Gro up 8-11 in NGC4419_ BB (26)	900 Secs (900 Secs) [==>]	[2]
	12	F275W_OR BIT2	(26) NGC4419	WFC3/UVIS, ACCUM, UVIS-FIX	F275W	FLASH=20	POS TARG 0.172,1. 803	Prime + Parallel Gro up 12-14 in NGC441 9_BB (26)	668 Secs (668 Secs) [==>]	[2]
	13	F555W_OR BIT2	(26) NGC4419	WFC3/UVIS, ACCUM, UVIS-FIX	F555W	FLASH=15	POS TARG 0.172,1. 803	Prime + Parallel Gro up 12-14 in NGC441 9_BB (26)	212 Secs (212 Secs) [==>]	[2]
	14	F814W-PA R_ORBIT2	ANY	ACS/WFC, ACCUM, WFC	F814W			Prime + Parallel Gro up 12-14 in NGC441 9_BB (26)	700 Secs (700 Secs) [==>]	[2]
	15	F814W_OR BIT3	(26) NGC4419	WFC3/UVIS, ACCUM, UVIS-FIX	F814W	FLASH=15	POS TARG 0.343,3. 606	Prime + Parallel Gro up 15-18 in NGC441 9_BB (26)	226 Secs (226 Secs) [==>]	[3]
	16	F438W_OR BIT3	(26) NGC4419	WFC3/UVIS, ACCUM, UVIS-FIX	F438W	FLASH=17	POS TARG 0.343,3. 606	Prime + Parallel Gro up 15-18 in NGC441 9_BB (26)	348 Secs (348 Secs) [==>]	[3]
	17	F336W_OR BIT3	(26) NGC4419	WFC3/UVIS, ACCUM, UVIS-FIX	F336W	FLASH=20	POS TARG 0.343,3. 606	Prime + Parallel Gro up 15-18 in NGC441 9_BB (26)	348 Secs (348 Secs) [==>]	[3]
18	F814W-PA R_ORBIT3	ANY	ACS/WFC, ACCUM, WFC	F814W			Prime + Parallel Gro up 15-18 in NGC441 9_BB (26)	900 Secs (900 Secs) [==>]	[3]	

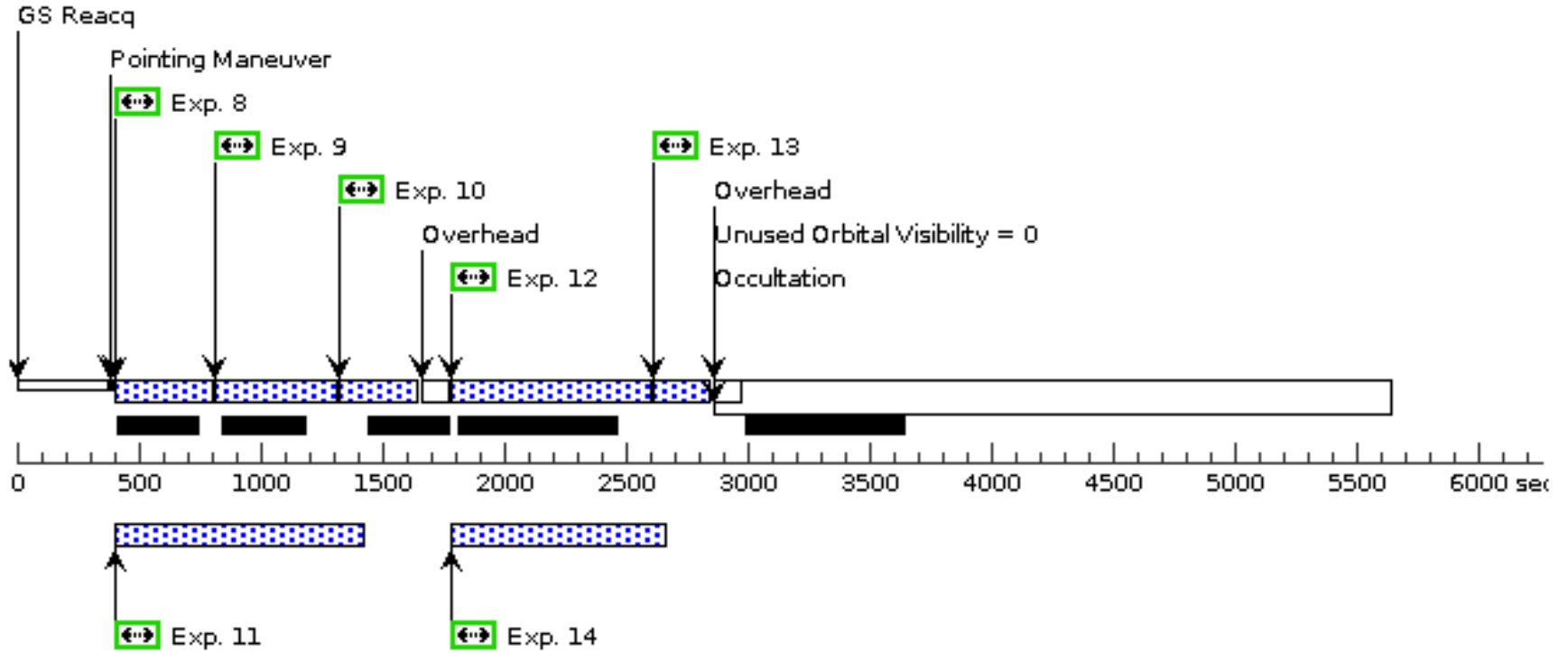
Proposal 18103 - NGC4419 BB (26) - Anatomy of a fall: Dissecting the environment-driven transformation of late-type Virgo cluster ga...

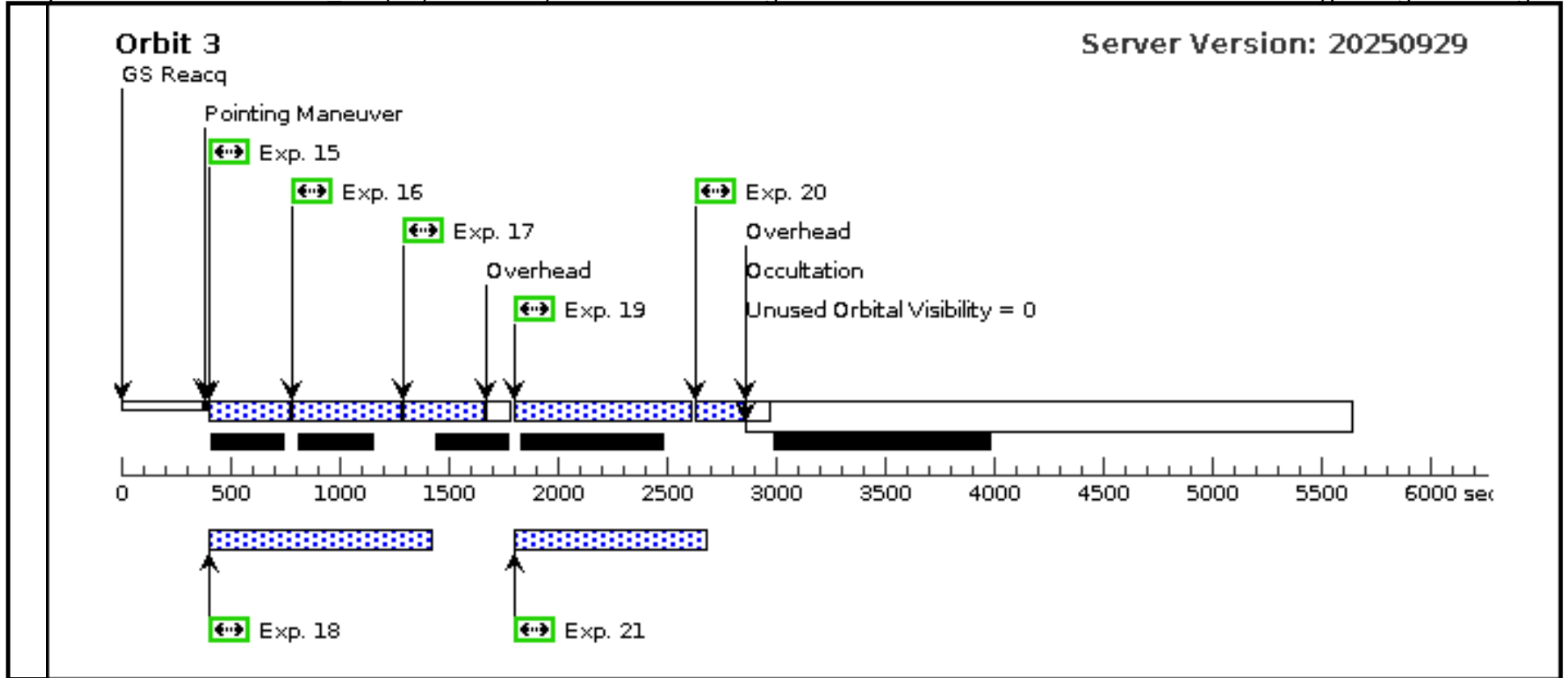
19	F275W_OR BIT3	(26) NGC4419	WFC3/UVIS, ACCUM, UVIS-FIX	F275W	FLASH=20	POS TARG 0.343,3. 606	Prime + Parallel Gro up 19-21 in NGC441 9_BB (26)	665 Secs (665 Secs) [==>]	[3]
20	F555W_OR BIT3	(26) NGC4419	WFC3/UVIS, ACCUM, UVIS-FIX	F555W	FLASH=15	POS TARG 0.343,3. 606	Prime + Parallel Gro up 19-21 in NGC441 9_BB (26)	200 Secs (200 Secs) [==>]	[3]
21	F606W-PA R_ORBIT3	ANY	ACS/WFC, ACCUM, WFC	F606W			Prime + Parallel Gro up 19-21 in NGC441 9_BB (26)	700 Secs (700 Secs) [==>]	[3]



Orbit 2

Server Version: 20250929





Proposal 18103 - NGC4450_BB (27) - Anatomy of a fall: Dissecting the environment-driven transformation of late-type Virgo cluster ga...

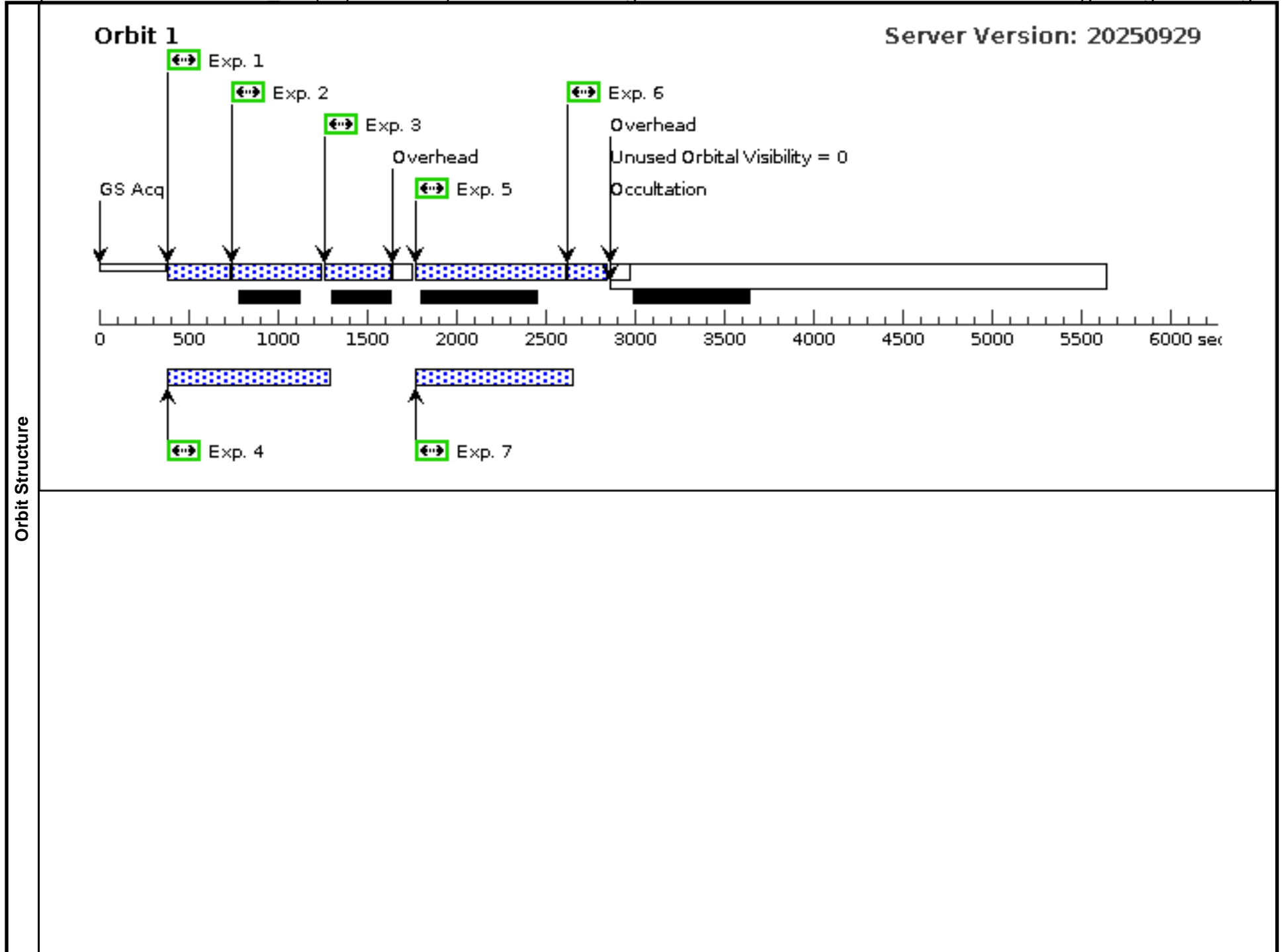
Visit	Proposal 18103, NGC4450_BB (27), scheduling Wed Feb 04 15:01:59 GMT 2026 Diagnostic Status: No Diagnostics Scientific Instruments: WFC3/UVIS, ACS/WFC Special Requirements: SCHED 100%; ORIENT 263D TO 269 D; GROUP 27,64 WITHIN 30D <i>Comments: NUBVIHa</i>					
	Fixed Targets	#	Name	Target Coordinates	Targ. Coord. Corrections	Fluxes
(27)		NGC4450	RA: 12 28 30.6937 (187.1278904d) Dec: +17 04 59.38 (17.08316d) Equinox: J2000		V=11	Reference Frame: ICRS
<i>Comments:</i> Category=GALAXY Description=[SPIRAL]						

Proposal 18103 - NGC4450 BB (27) - Anatomy of a fall: Dissecting the environment-driven transformation of late-type Virgo cluster ga...

Exposures	#	Label	Target	Config,Mode,Aperture	Spectral Els.	Opt. Params.	Special Reqs.	Groups	Exp. Time (Total)/[Actual Dur.]	Orbit
	1	F814W_OR BIT1	(27) NGC4450	WFC3/UVIS, ACCUM, UVIS-FIX	F814W	FLASH=15	POS TARG 0,0	Prime + Parallel Gro up 1-4 in NGC4450_ BB (27)	200 Secs (200 Secs) [==>]	[1]
	2	F438W_OR BIT1	(27) NGC4450	WFC3/UVIS, ACCUM, UVIS-FIX	F438W	FLASH=17	POS TARG 0,0	Prime + Parallel Gro up 1-4 in NGC4450_ BB (27)	348 Secs (348 Secs) [==>]	[1]
	3	F336W_OR BIT1	(27) NGC4450	WFC3/UVIS, ACCUM, UVIS-FIX	F336W	FLASH=20	POS TARG 0,0	Prime + Parallel Gro up 1-4 in NGC4450_ BB (27)	348 Secs (348 Secs) [==>]	[1]
	4	F814W-PA R_ORBIT1	ANY	ACS/WFC, ACCUM, WFC	F814W			Prime + Parallel Gro up 1-4 in NGC4450_ BB (27)	700 Secs (700 Secs) [==>]	[1]
	5	F275W_OR BIT1	(27) NGC4450	WFC3/UVIS, ACCUM, UVIS-FIX	F275W	FLASH=20	POS TARG 0,0	Prime + Parallel Gro up 5-7 in NGC4450_ BB (27)	695 Secs (695 Secs) [==>]	[1]
	6	F555W_OR BIT1	(27) NGC4450	WFC3/UVIS, ACCUM, UVIS-FIX	F555W	FLASH=15	POS TARG 0,0	Prime + Parallel Gro up 5-7 in NGC4450_ BB (27)	203 Secs (203 Secs) [==>]	[1]
	7	F606W-PA R_ORBIT1	ANY	ACS/WFC, ACCUM, WFC	F606W			Prime + Parallel Gro up 5-7 in NGC4450_ BB (27)	700 Secs (700 Secs) [==>]	[1]
	8	F814W_OR BIT2	(27) NGC4450	WFC3/UVIS, ACCUM, UVIS-FIX	F814W	FLASH=15	POS TARG 0.172,1. 803	Prime + Parallel Gro up 8-11 in NGC4450_ BB (27)	259 Secs (259 Secs) [==>]	[2]
	9	F438W_OR BIT2	(27) NGC4450	WFC3/UVIS, ACCUM, UVIS-FIX	F438W	FLASH=17	POS TARG 0.172,1. 803	Prime + Parallel Gro up 8-11 in NGC4450_ BB (27)	348 Secs (348 Secs) [==>]	[2]
	10	F336W_OR BIT2	(27) NGC4450	WFC3/UVIS, ACCUM, UVIS-FIX	F336W	FLASH=20	POS TARG 0.172,1. 803	Prime + Parallel Gro up 8-11 in NGC4450_ BB (27)	300 Secs (300 Secs) [==>]	[2]
	11	F606W-PA R_ORBIT2	ANY	ACS/WFC, ACCUM, WFC	F606W			Prime + Parallel Gro up 8-11 in NGC4450_ BB (27)	900 Secs (900 Secs) [==>]	[2]
	12	F275W_OR BIT2	(27) NGC4450	WFC3/UVIS, ACCUM, UVIS-FIX	F275W	FLASH=20	POS TARG 0.172,1. 803	Prime + Parallel Gro up 12-14 in NGC445 0_BB (27)	668 Secs (668 Secs) [==>]	[2]
	13	F555W_OR BIT2	(27) NGC4450	WFC3/UVIS, ACCUM, UVIS-FIX	F555W	FLASH=15	POS TARG 0.172,1. 803	Prime + Parallel Gro up 12-14 in NGC445 0_BB (27)	212 Secs (212 Secs) [==>]	[2]
	14	F814W-PA R_ORBIT2	ANY	ACS/WFC, ACCUM, WFC	F814W			Prime + Parallel Gro up 12-14 in NGC445 0_BB (27)	700 Secs (700 Secs) [==>]	[2]
	15	F814W_OR BIT3	(27) NGC4450	WFC3/UVIS, ACCUM, UVIS-FIX	F814W	FLASH=15	POS TARG 0.343,3. 606	Prime + Parallel Gro up 15-18 in NGC445 0_BB (27)	226 Secs (226 Secs) [==>]	[3]
	16	F438W_OR BIT3	(27) NGC4450	WFC3/UVIS, ACCUM, UVIS-FIX	F438W	FLASH=17	POS TARG 0.343,3. 606	Prime + Parallel Gro up 15-18 in NGC445 0_BB (27)	348 Secs (348 Secs) [==>]	[3]
	17	F336W_OR BIT3	(27) NGC4450	WFC3/UVIS, ACCUM, UVIS-FIX	F336W	FLASH=20	POS TARG 0.343,3. 606	Prime + Parallel Gro up 15-18 in NGC445 0_BB (27)	348 Secs (348 Secs) [==>]	[3]
18	F814W-PA R_ORBIT3	ANY	ACS/WFC, ACCUM, WFC	F814W			Prime + Parallel Gro up 15-18 in NGC445 0_BB (27)	900 Secs (900 Secs) [==>]	[3]	

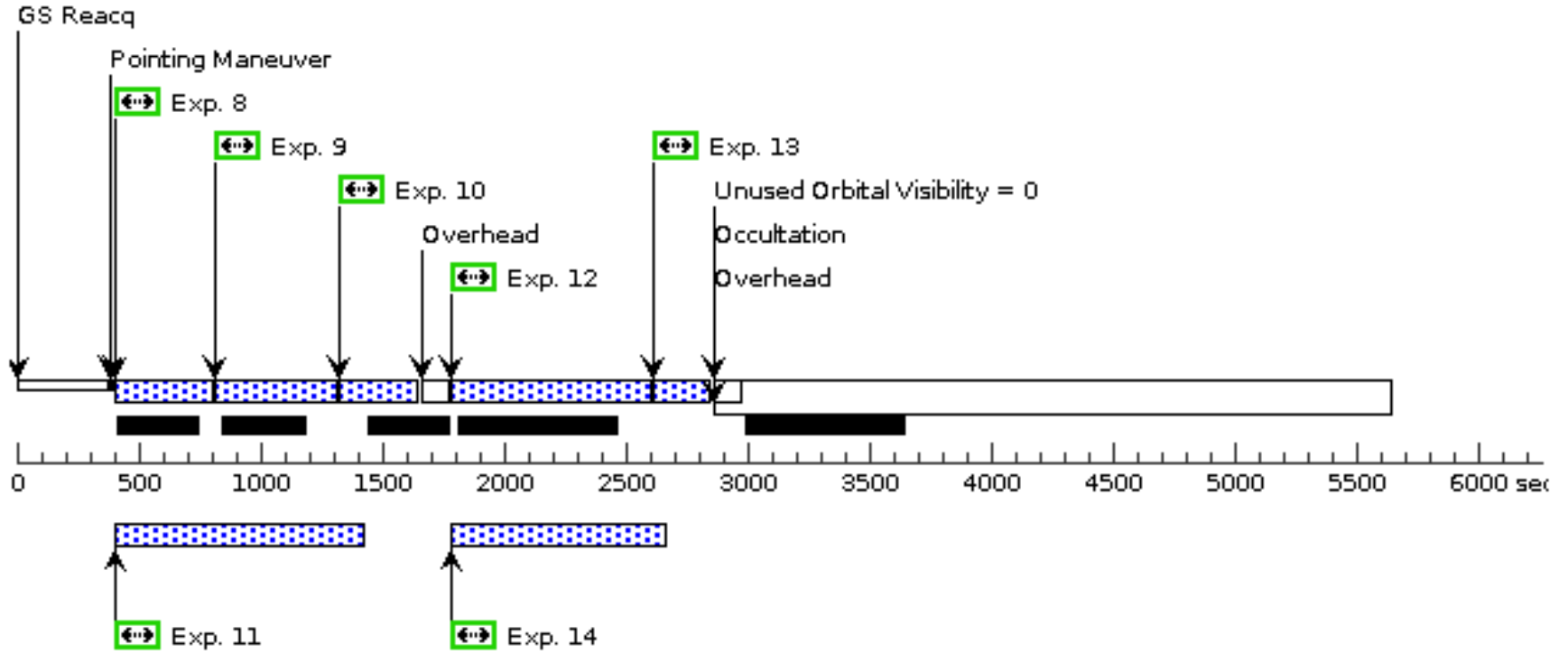
Proposal 18103 - NGC4450 BB (27) - Anatomy of a fall: Dissecting the environment-driven transformation of late-type Virgo cluster ga...

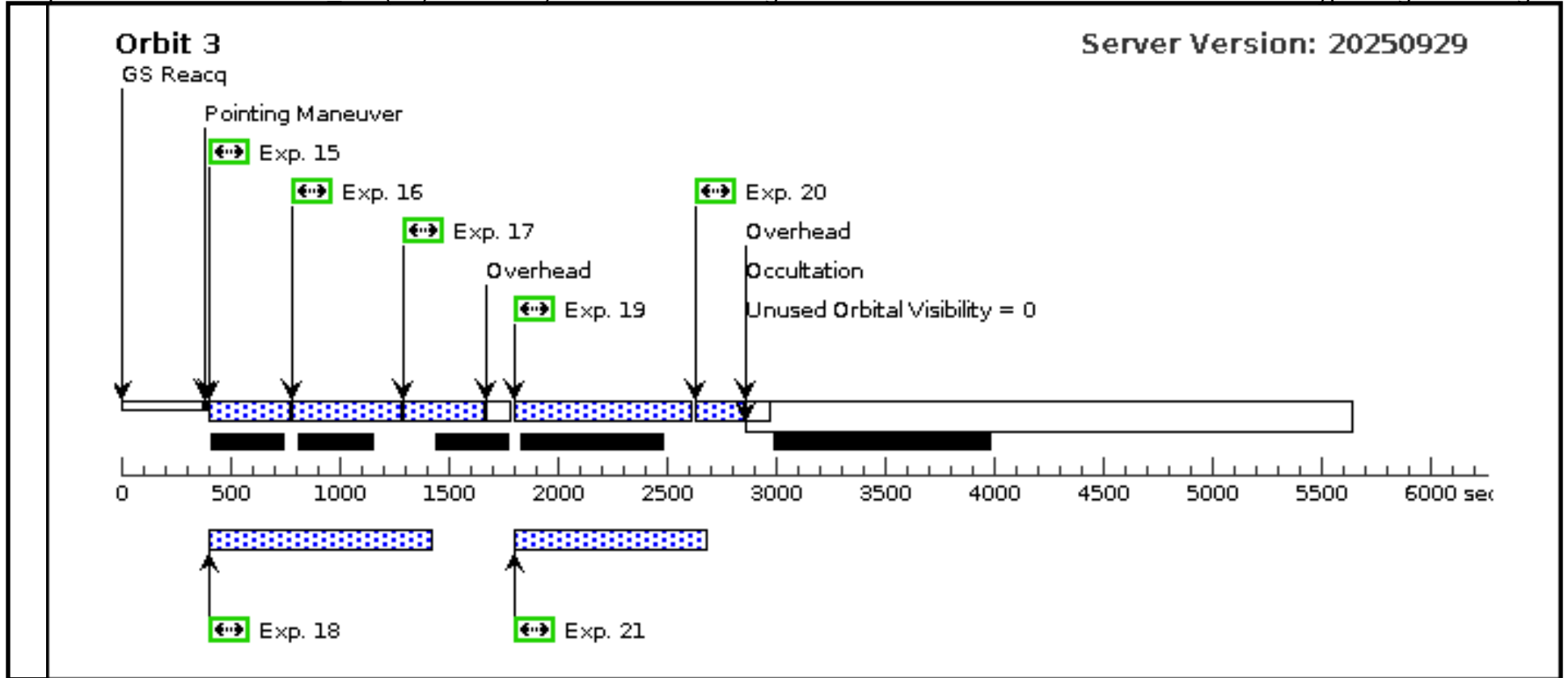
19	F275W_OR BIT3	(27) NGC4450	WFC3/UVIS, ACCUM, UVIS-FIX	F275W	FLASH=20	POS TARG 0.343,3. 606	Prime + Parallel Gro up 19-21 in NGC445 0_BB (27)	665 Secs (665 Secs) [==>]	[3]
20	F555W_OR BIT3	(27) NGC4450	WFC3/UVIS, ACCUM, UVIS-FIX	F555W	FLASH=15	POS TARG 0.343,3. 606	Prime + Parallel Gro up 19-21 in NGC445 0_BB (27)	200 Secs (200 Secs) [==>]	[3]
21	F606W-PA R_ORBIT3	ANY	ACS/WFC, ACCUM, WFC	F606W			Prime + Parallel Gro up 19-21 in NGC445 0_BB (27)	700 Secs (700 Secs) [==>]	[3]



Orbit 2

Server Version: 20250929





Proposal 18103 - NGC4501-N_BB (28) - Anatomy of a fall: Dissecting the environment-driven transformation of late-type Virgo cluster ...

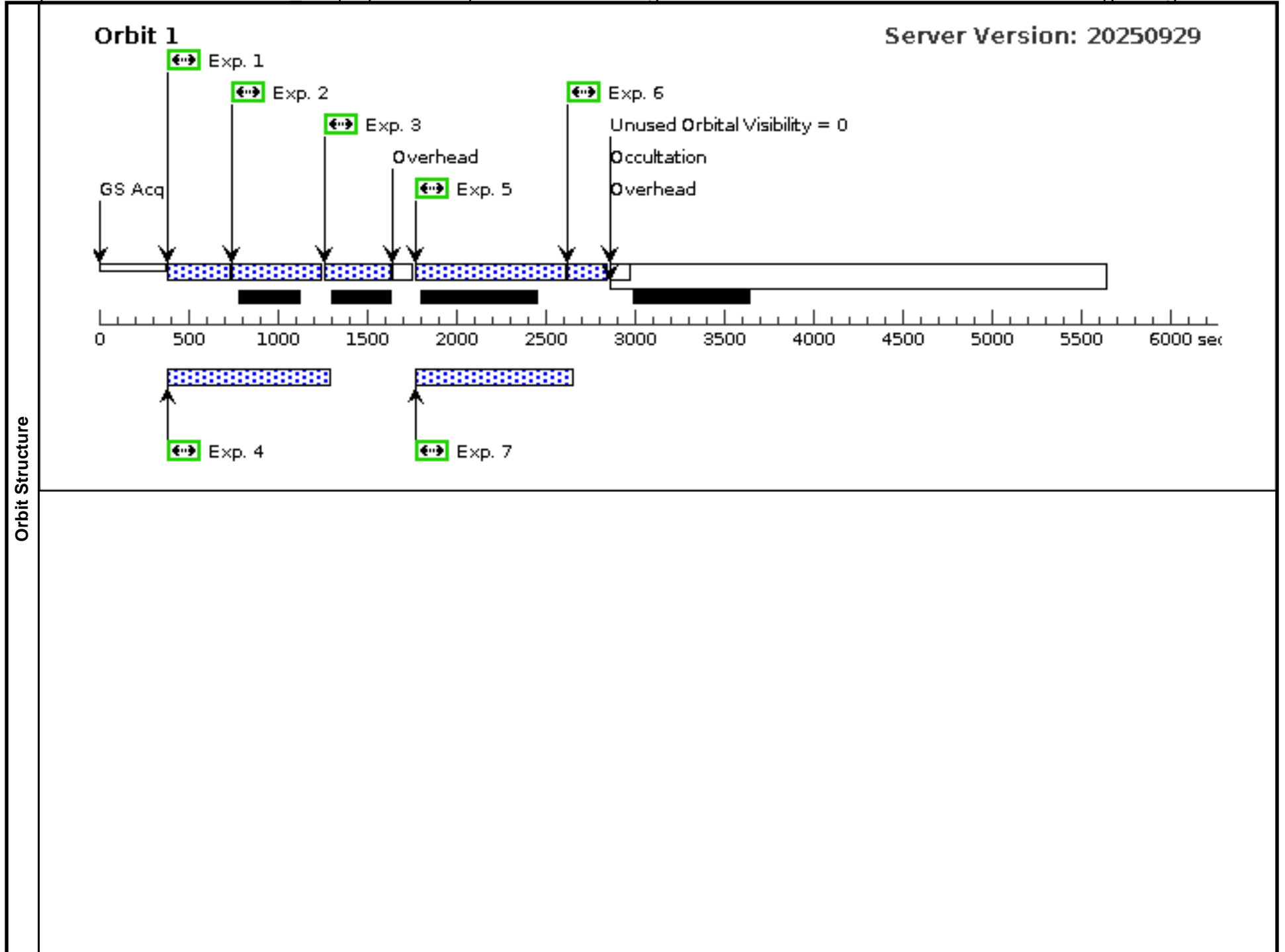
Visit	Proposal 18103, NGC4501-N_BB (28), scheduling Wed Feb 04 15:01:59 GMT 2026 Diagnostic Status: No Diagnostics Scientific Instruments: WFC3/UVIS, ACS/WFC Special Requirements: SCHED 100%; ORIENT 268D TO 274 D; GROUP 28,29,65,66 WITHIN 30D Comments: NUBVIHa					
	Fixed Targets	#	Name	Target Coordinates	Targ. Coord. Corrections	Fluxes
(28)		NGC4501-N	RA: 12 31 56.6255 (187.9859396d) Dec: +14 26 13.81 (14.43717d) Equinox: J2000		V=11	Reference Frame: ICRS
	Comments: Category=GALAXY Description=[SPIRAL]					

Proposal 18103 - NGC4501-N_BB (28) - Anatomy of a fall: Dissecting the environment-driven transformation of late-type Virgo cluster ...

Exposures	#	Label	Target	Config,Mode,Aperture	Spectral Els.	Opt. Params.	Special Reqs.	Groups	Exp. Time (Total)/[Actual Dur.]	Orbit
	1	F814W_OR BIT1	(28) NGC4501-N	WFC3/UVIS, ACCUM, UVIS-FIX	F814W	FLASH=15	POS TARG 0,0	Prime + Parallel Group 1-4 in NGC4501-N_BB (28)	200 Secs (200 Secs) [==>]	[1]
	2	F438W_OR BIT1	(28) NGC4501-N	WFC3/UVIS, ACCUM, UVIS-FIX	F438W	FLASH=17	POS TARG 0,0	Prime + Parallel Group 1-4 in NGC4501-N_BB (28)	348 Secs (348 Secs) [==>]	[1]
	3	F336W_OR BIT1	(28) NGC4501-N	WFC3/UVIS, ACCUM, UVIS-FIX	F336W	FLASH=20	POS TARG 0,0	Prime + Parallel Group 1-4 in NGC4501-N_BB (28)	348 Secs (348 Secs) [==>]	[1]
	4	F814W-PA R_ORBIT1	ANY	ACS/WFC, ACCUM, WFC	F814W			Prime + Parallel Group 1-4 in NGC4501-N_BB (28)	700 Secs (700 Secs) [==>]	[1]
	5	F275W_OR BIT1	(28) NGC4501-N	WFC3/UVIS, ACCUM, UVIS-FIX	F275W	FLASH=20	POS TARG 0,0	Prime + Parallel Group 5-7 in NGC4501-N_BB (28)	695 Secs (695 Secs) [==>]	[1]
	6	F555W_OR BIT1	(28) NGC4501-N	WFC3/UVIS, ACCUM, UVIS-FIX	F555W	FLASH=15	POS TARG 0,0	Prime + Parallel Group 5-7 in NGC4501-N_BB (28)	204 Secs (204 Secs) [==>]	[1]
	7	F606W-PA R_ORBIT1	ANY	ACS/WFC, ACCUM, WFC	F606W			Prime + Parallel Group 5-7 in NGC4501-N_BB (28)	700 Secs (700 Secs) [==>]	[1]
	8	F814W_OR BIT2	(28) NGC4501-N	WFC3/UVIS, ACCUM, UVIS-FIX	F814W	FLASH=15	POS TARG 0.172,1.803	Prime + Parallel Group 8-11 in NGC4501-N_BB (28)	260 Secs (260 Secs) [==>]	[2]
	9	F438W_OR BIT2	(28) NGC4501-N	WFC3/UVIS, ACCUM, UVIS-FIX	F438W	FLASH=17	POS TARG 0.172,1.803	Prime + Parallel Group 8-11 in NGC4501-N_BB (28)	348 Secs (348 Secs) [==>]	[2]
	10	F336W_OR BIT2	(28) NGC4501-N	WFC3/UVIS, ACCUM, UVIS-FIX	F336W	FLASH=20	POS TARG 0.172,1.803	Prime + Parallel Group 8-11 in NGC4501-N_BB (28)	300 Secs (300 Secs) [==>]	[2]
	11	F606W-PA R_ORBIT2	ANY	ACS/WFC, ACCUM, WFC	F606W			Prime + Parallel Group 8-11 in NGC4501-N_BB (28)	900 Secs (900 Secs) [==>]	[2]
	12	F275W_OR BIT2	(28) NGC4501-N	WFC3/UVIS, ACCUM, UVIS-FIX	F275W	FLASH=20	POS TARG 0.172,1.803	Prime + Parallel Group 12-14 in NGC4501-N_BB (28)	668 Secs (668 Secs) [==>]	[2]
	13	F555W_OR BIT2	(28) NGC4501-N	WFC3/UVIS, ACCUM, UVIS-FIX	F555W	FLASH=15	POS TARG 0.172,1.803	Prime + Parallel Group 12-14 in NGC4501-N_BB (28)	212 Secs (212 Secs) [==>]	[2]
	14	F814W-PA R_ORBIT2	ANY	ACS/WFC, ACCUM, WFC	F814W			Prime + Parallel Group 12-14 in NGC4501-N_BB (28)	700 Secs (700 Secs) [==>]	[2]
	15	F814W_OR BIT3	(28) NGC4501-N	WFC3/UVIS, ACCUM, UVIS-FIX	F814W	FLASH=15	POS TARG 0.343,3.606	Prime + Parallel Group 15-18 in NGC4501-N_BB (28)	227 Secs (227 Secs) [==>]	[3]
	16	F438W_OR BIT3	(28) NGC4501-N	WFC3/UVIS, ACCUM, UVIS-FIX	F438W	FLASH=17	POS TARG 0.343,3.606	Prime + Parallel Group 15-18 in NGC4501-N_BB (28)	348 Secs (348 Secs) [==>]	[3]
	17	F336W_OR BIT3	(28) NGC4501-N	WFC3/UVIS, ACCUM, UVIS-FIX	F336W	FLASH=20	POS TARG 0.343,3.606	Prime + Parallel Group 15-18 in NGC4501-N_BB (28)	348 Secs (348 Secs) [==>]	[3]
18	F814W-PA R_ORBIT3	ANY	ACS/WFC, ACCUM, WFC	F814W			Prime + Parallel Group 15-18 in NGC4501-N_BB (28)	900 Secs (900 Secs) [==>]	[3]	

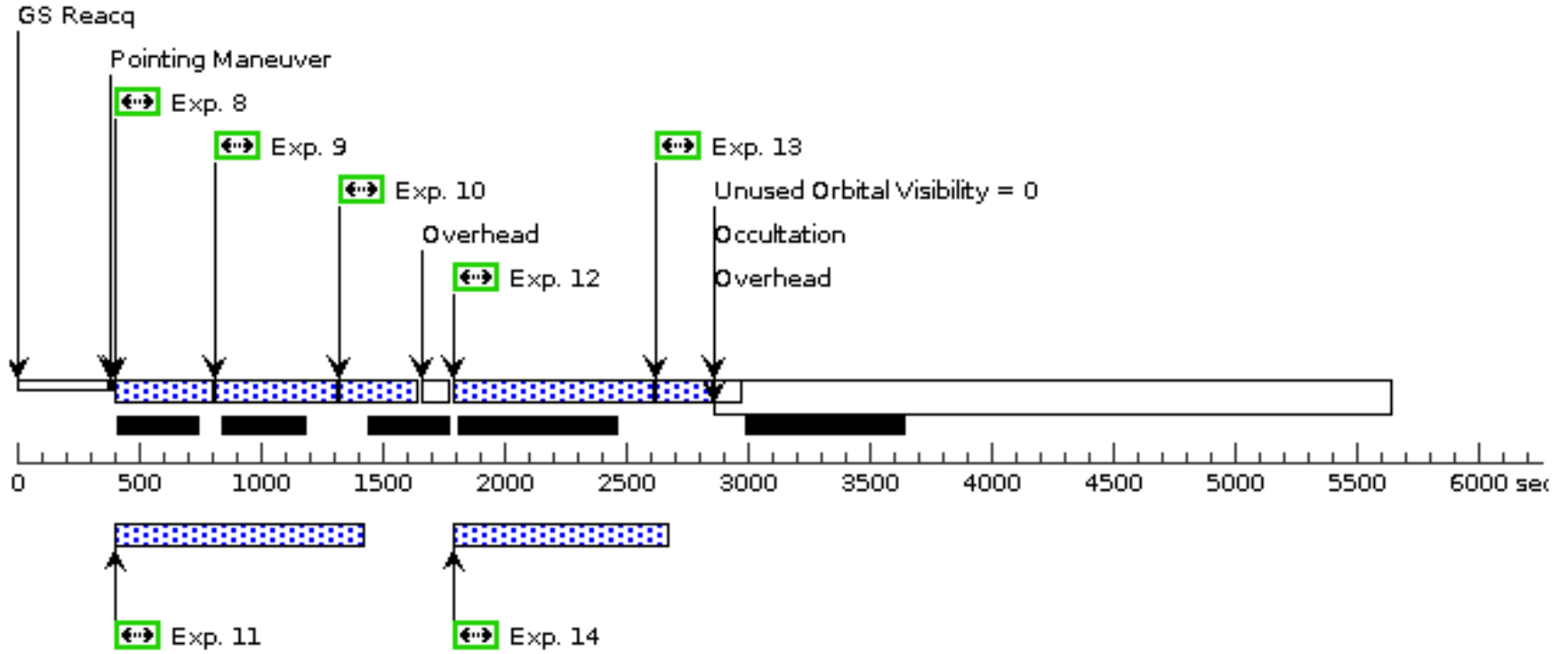
Proposal 18103 - NGC4501-N BB (28) - Anatomy of a fall: Dissecting the environment-driven transformation of late-type Virgo cluster ...

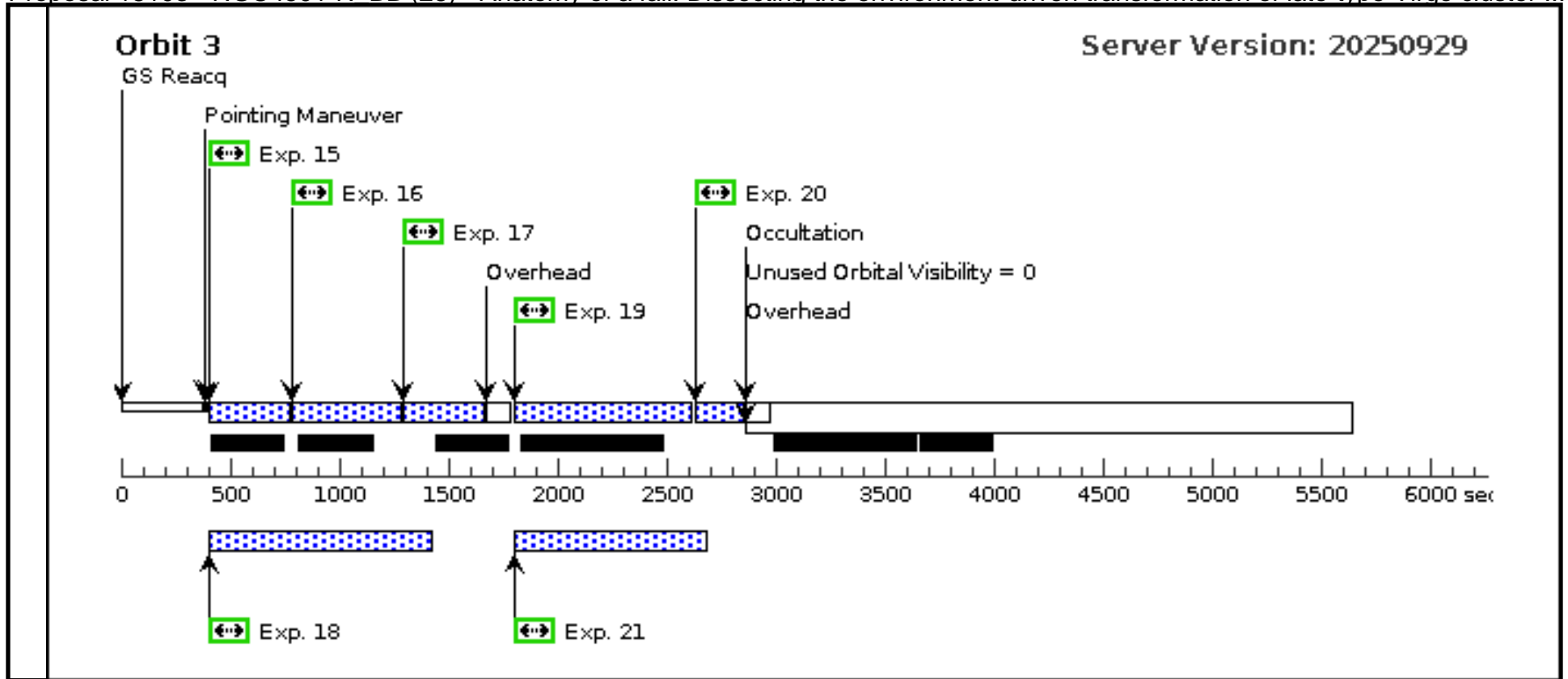
19	F275W_OR BIT3	(28) NGC4501-N	WFC3/UVIS, ACCUM, UVIS-FIX	F275W	FLASH=20	POS TARG 0.343,3. 606	Prime + Parallel Gro up 19-21 in NGC450 1-N_BB (28)	665 Secs (665 Secs) [==>]	[3]
20	F555W_OR BIT3	(28) NGC4501-N	WFC3/UVIS, ACCUM, UVIS-FIX	F555W	FLASH=15	POS TARG 0.343,3. 606	Prime + Parallel Gro up 19-21 in NGC450 1-N_BB (28)	200 Secs (200 Secs) [==>]	[3]
21	F606W-PA R_ORBIT3	ANY	ACS/WFC, ACCUM, WFC	F606W			Prime + Parallel Gro up 19-21 in NGC450 1-N_BB (28)	700 Secs (700 Secs) [==>]	[3]



Orbit 2

Server Version: 20250929





Proposal 18103 - NGC4501-S_BB (29) - Anatomy of a fall: Dissecting the environment-driven transformation of late-type Virgo cluster ...

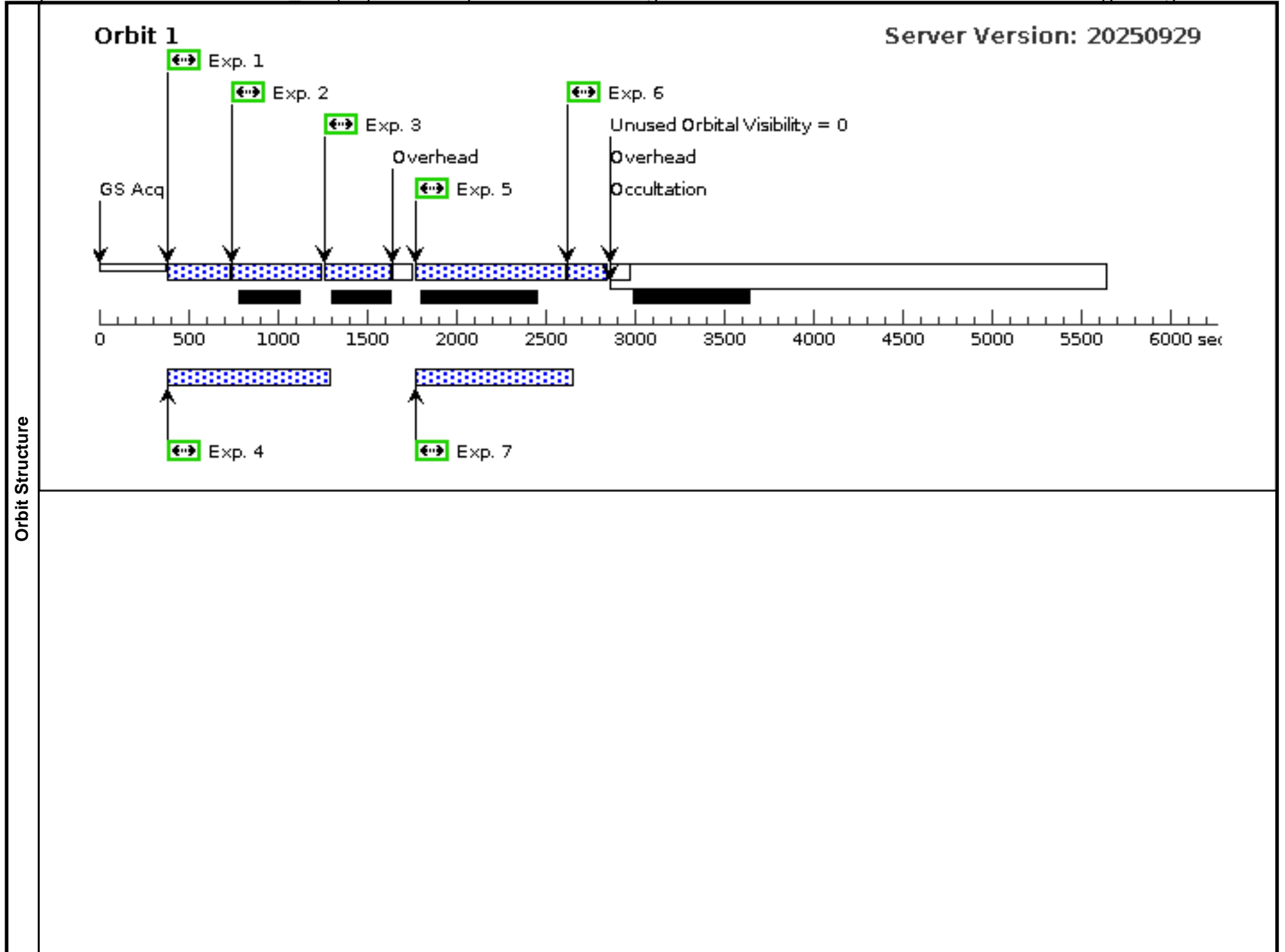
Visit	Proposal 18103, NGC4501-S_BB (29), scheduling Wed Feb 04 15:01:59 GMT 2026 Diagnostic Status: No Diagnostics Scientific Instruments: WFC3/UVIS, ACS/WFC Special Requirements: SCHED 100%; SAME ORIENT AS 28 Comments: NUBVIHa					
	Fixed Targets	#	Name	Target Coordinates	Targ. Coord. Corrections	Fluxes
(29)		NGC4501-S	RA: 12 32 3.7964 (188.0158183d) Dec: +14 24 17.00 (14.40472d) Equinox: J2000		V=11	Reference Frame: ICRS
Comments: Category=GALAXY Description=[SPIRAL]						

Proposal 18103 - NGC4501-S_BB (29) - Anatomy of a fall: Dissecting the environment-driven transformation of late-type Virgo cluster ...

Exposures	#	Label	Target	Config,Mode,Aperture	Spectral Els.	Opt. Params.	Special Reqs.	Groups	Exp. Time (Total)/[Actual Dur.]	Orbit
	1	F814W_OR BIT1	(29) NGC4501-S	WFC3/UVIS, ACCUM, UVIS-FIX	F814W	FLASH=15	POS TARG 0,0	Prime + Parallel Gro up 1-4 in NGC4501- S_BB (29)	200 Secs (200 Secs) [==>]	[1]
	2	F438W_OR BIT1	(29) NGC4501-S	WFC3/UVIS, ACCUM, UVIS-FIX	F438W	FLASH=17	POS TARG 0,0	Prime + Parallel Gro up 1-4 in NGC4501- S_BB (29)	348 Secs (348 Secs) [==>]	[1]
	3	F336W_OR BIT1	(29) NGC4501-S	WFC3/UVIS, ACCUM, UVIS-FIX	F336W	FLASH=20	POS TARG 0,0	Prime + Parallel Gro up 1-4 in NGC4501- S_BB (29)	348 Secs (348 Secs) [==>]	[1]
	4	F814W-PA R_ORBIT1	ANY	ACS/WFC, ACCUM, WFC	F814W			Prime + Parallel Gro up 1-4 in NGC4501- S_BB (29)	700 Secs (700 Secs) [==>]	[1]
	5	F275W_OR BIT1	(29) NGC4501-S	WFC3/UVIS, ACCUM, UVIS-FIX	F275W	FLASH=20	POS TARG 0,0	Prime + Parallel Gro up 5-7 in NGC4501- S_BB (29)	695 Secs (695 Secs) [==>]	[1]
	6	F555W_OR BIT1	(29) NGC4501-S	WFC3/UVIS, ACCUM, UVIS-FIX	F555W	FLASH=15	POS TARG 0,0	Prime + Parallel Gro up 5-7 in NGC4501- S_BB (29)	204 Secs (204 Secs) [==>]	[1]
	7	F606W-PA R_ORBIT1	ANY	ACS/WFC, ACCUM, WFC	F606W			Prime + Parallel Gro up 5-7 in NGC4501- S_BB (29)	700 Secs (700 Secs) [==>]	[1]
	8	F814W_OR BIT2	(29) NGC4501-S	WFC3/UVIS, ACCUM, UVIS-FIX	F814W	FLASH=15	POS TARG 0.172,1. 803	Prime + Parallel Gro up 8-11 in NGC4501- S_BB (29)	260 Secs (260 Secs) [==>]	[2]
	9	F438W_OR BIT2	(29) NGC4501-S	WFC3/UVIS, ACCUM, UVIS-FIX	F438W	FLASH=17	POS TARG 0.172,1. 803	Prime + Parallel Gro up 8-11 in NGC4501- S_BB (29)	348 Secs (348 Secs) [==>]	[2]
	10	F336W_OR BIT2	(29) NGC4501-S	WFC3/UVIS, ACCUM, UVIS-FIX	F336W	FLASH=20	POS TARG 0.172,1. 803	Prime + Parallel Gro up 8-11 in NGC4501- S_BB (29)	300 Secs (300 Secs) [==>]	[2]
	11	F606W-PA R_ORBIT2	ANY	ACS/WFC, ACCUM, WFC	F606W			Prime + Parallel Gro up 8-11 in NGC4501- S_BB (29)	900 Secs (900 Secs) [==>]	[2]
	12	F275W_OR BIT2	(29) NGC4501-S	WFC3/UVIS, ACCUM, UVIS-FIX	F275W	FLASH=20	POS TARG 0.172,1. 803	Prime + Parallel Gro up 12-14 in NGC450 1-S_BB (29)	668 Secs (668 Secs) [==>]	[2]
	13	F555W_OR BIT2	(29) NGC4501-S	WFC3/UVIS, ACCUM, UVIS-FIX	F555W	FLASH=15	POS TARG 0.172,1. 803	Prime + Parallel Gro up 12-14 in NGC450 1-S_BB (29)	212 Secs (212 Secs) [==>]	[2]
	14	F814W-PA R_ORBIT2	ANY	ACS/WFC, ACCUM, WFC	F814W			Prime + Parallel Gro up 12-14 in NGC450 1-S_BB (29)	700 Secs (700 Secs) [==>]	[2]
	15	F814W_OR BIT3	(29) NGC4501-S	WFC3/UVIS, ACCUM, UVIS-FIX	F814W	FLASH=15	POS TARG 0.343,3. 606	Prime + Parallel Gro up 15-18 in NGC450 1-S_BB (29)	227 Secs (227 Secs) [==>]	[3]
	16	F438W_OR BIT3	(29) NGC4501-S	WFC3/UVIS, ACCUM, UVIS-FIX	F438W	FLASH=17	POS TARG 0.343,3. 606	Prime + Parallel Gro up 15-18 in NGC450 1-S_BB (29)	348 Secs (348 Secs) [==>]	[3]
	17	F336W_OR BIT3	(29) NGC4501-S	WFC3/UVIS, ACCUM, UVIS-FIX	F336W	FLASH=20	POS TARG 0.343,3. 606	Prime + Parallel Gro up 15-18 in NGC450 1-S_BB (29)	348 Secs (348 Secs) [==>]	[3]
18	F814W-PA R_ORBIT3	ANY	ACS/WFC, ACCUM, WFC	F814W			Prime + Parallel Gro up 15-18 in NGC450 1-S_BB (29)	900 Secs (900 Secs) [==>]	[3]	

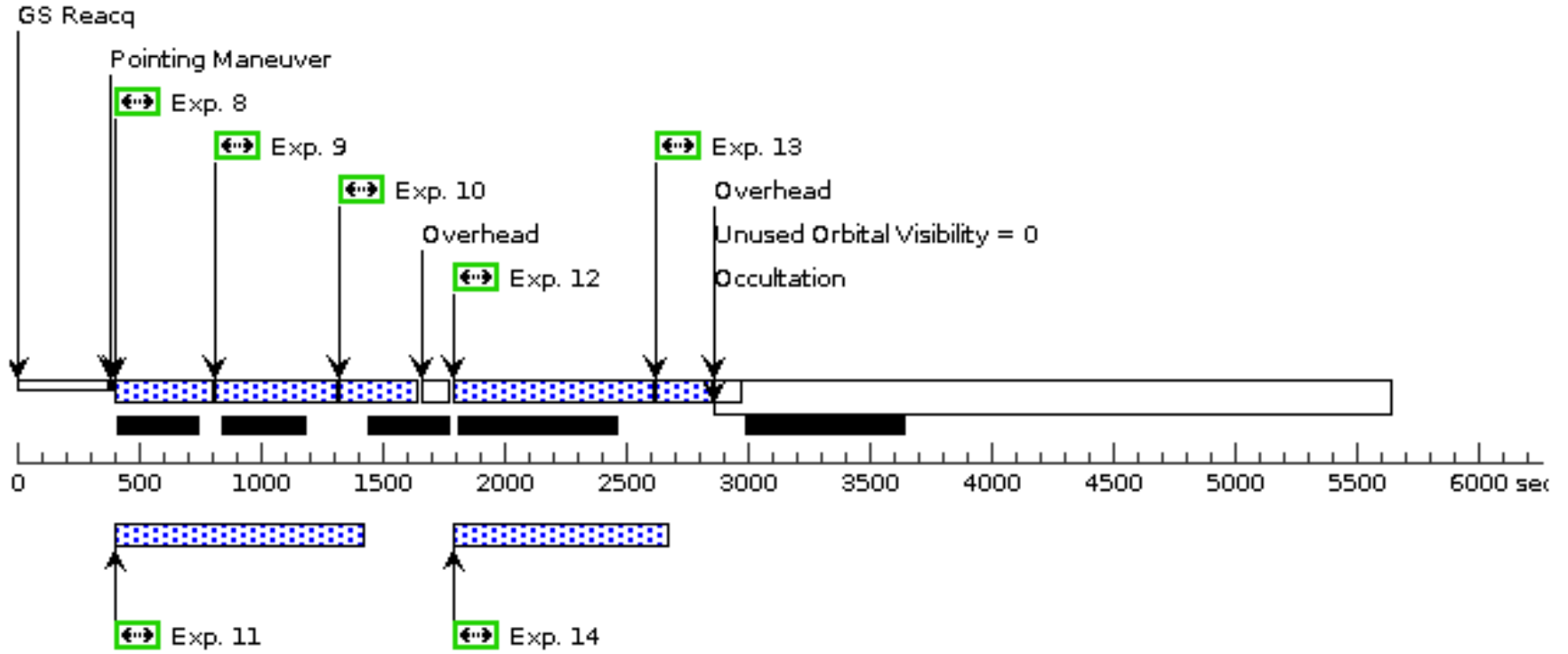
Proposal 18103 - NGC4501-S BB (29) - Anatomy of a fall: Dissecting the environment-driven transformation of late-type Virgo cluster ...

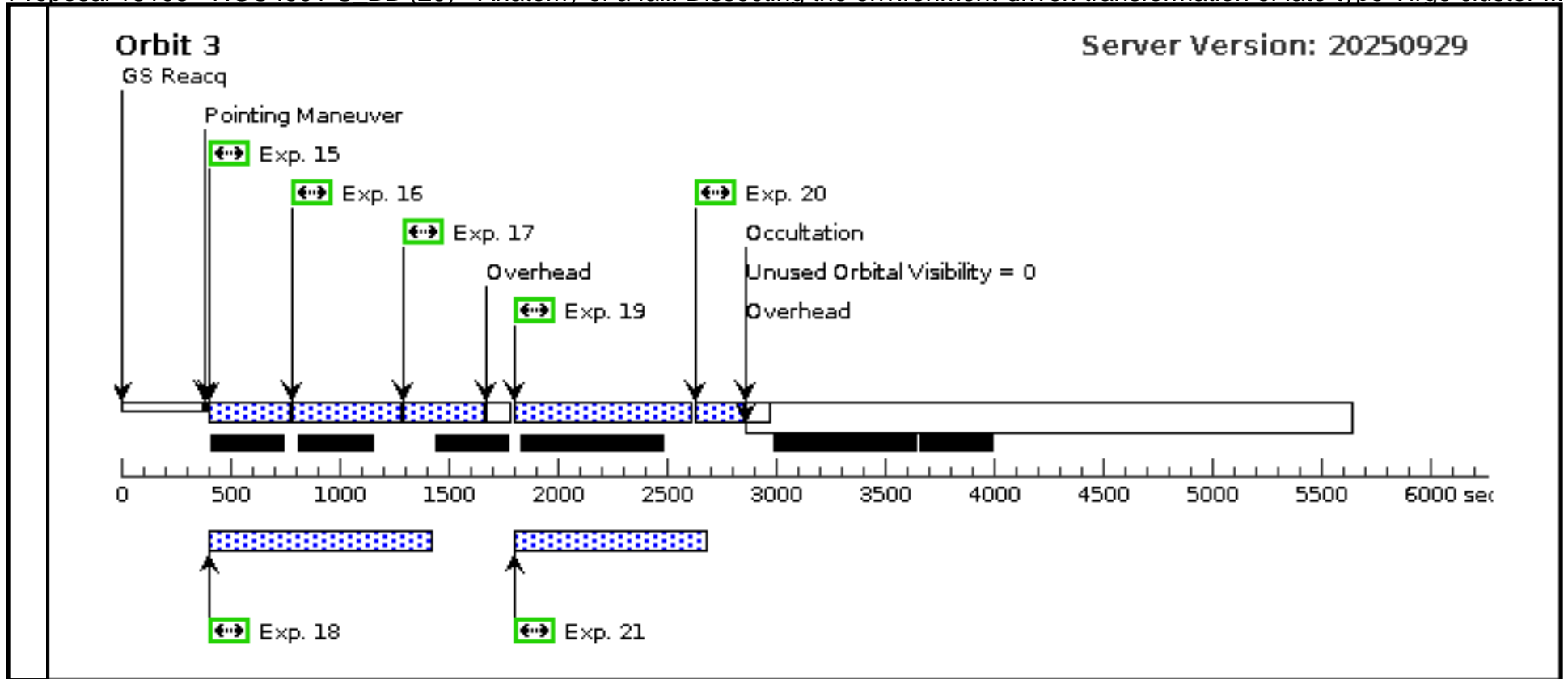
19	F275W_OR BIT3	(29) NGC4501-S	WFC3/UVIS, ACCUM, UVIS-FIX	F275W	FLASH=20	POS TARG 0.343,3. 606	Prime + Parallel Gro up 19-21 in NGC450 1-S_BB (29)	665 Secs (665 Secs) [==>]	[3]
20	F555W_OR BIT3	(29) NGC4501-S	WFC3/UVIS, ACCUM, UVIS-FIX	F555W	FLASH=15	POS TARG 0.343,3. 606	Prime + Parallel Gro up 19-21 in NGC450 1-S_BB (29)	200 Secs (200 Secs) [==>]	[3]
21	F606W-PA R_ORBIT3	ANY	ACS/WFC, ACCUM, WFC	F606W			Prime + Parallel Gro up 19-21 in NGC450 1-S_BB (29)	700 Secs (700 Secs) [==>]	[3]



Orbit 2

Server Version: 20250929





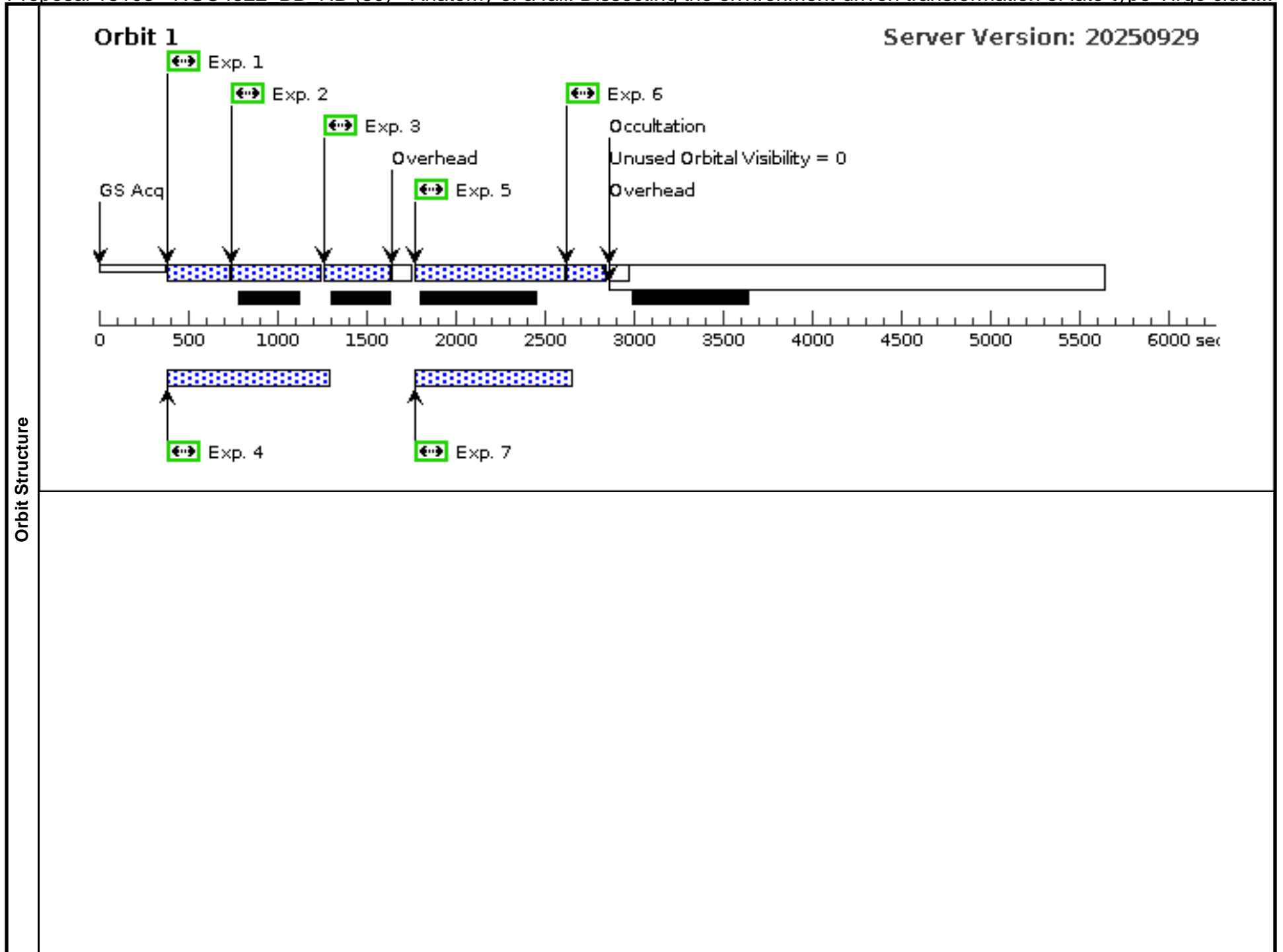
Visit	Proposal 18103, NGC4522_BB_NB (30), scheduling Diagnostic Status: No Diagnostics Scientific Instruments: WFC3/UVIS, ACS/WFC Special Requirements: SCHED 100%; ORIENT 300D TO 307 D Comments: 3orbits-NUV U V Ha + (archival B,I 435/814 + 606) Pointing and orient compatible with archival data					
	Fixed Targets	#	Name	Target Coordinates	Targ. Coord. Corrections	Fluxes
(30)		NGC4522	RA: 12 33 39.6030 (188.4150125d) Dec: +09 10 12.74 (9.17021d) Equinox: J2000		V=11	Reference Frame: ICRS
Comments: Category=GALAXY Description=[SPIRAL]						

Proposal 18103 - NGC4522 BB NB (30) - Anatomy of a fall: Dissecting the environment-driven transformation of late-type Virgo clust...

#	Label	Target	Config,Mode,Aperture	Spectral Els.	Opt. Params.	Special Reqs.	Groups	Exp. Time (Total)/[Actual Dur.]	Orbit	
Exposures	1	F814W_OR BIT1	(30) NGC4522	WFC3/UVIS, ACCUM, UVIS-FIX	F814W	FLASH=15	POS TARG 0,0	Prime + Parallel Group 1-4 in NGC4522_BB_NB (30)	200 Secs (200 Secs) [==>]	[1]
	2	F438W_OR BIT1	(30) NGC4522	WFC3/UVIS, ACCUM, UVIS-FIX	F438W	FLASH=17	POS TARG 0,0	Prime + Parallel Group 1-4 in NGC4522_BB_NB (30)	348 Secs (348 Secs) [==>]	[1]
	3	F336W_OR BIT1	(30) NGC4522	WFC3/UVIS, ACCUM, UVIS-FIX	F336W	FLASH=20	POS TARG 0,0	Prime + Parallel Group 1-4 in NGC4522_BB_NB (30)	348 Secs (348 Secs) [==>]	[1]
	4	F814W-PA R_ORBIT1	ANY	ACS/WFC, ACCUM, WFC	F814W			Prime + Parallel Group 1-4 in NGC4522_BB_NB (30)	700 Secs (700 Secs) [==>]	[1]
	5	F275W_OR BIT1	(30) NGC4522	WFC3/UVIS, ACCUM, UVIS-FIX	F275W	FLASH=20	POS TARG 0,0	Prime + Parallel Group 5-7 in NGC4522_BB_NB (30)	695 Secs (695 Secs) [==>]	[1]
	6	F555W_OR BIT1	(30) NGC4522	WFC3/UVIS, ACCUM, UVIS-FIX	F555W	FLASH=15	POS TARG 0,0	Prime + Parallel Group 5-7 in NGC4522_BB_NB (30)	204 Secs (204 Secs) [==>]	[1]
	7	F606W-PA R_ORBIT1	ANY	ACS/WFC, ACCUM, WFC	F606W			Prime + Parallel Group 5-7 in NGC4522_BB_NB (30)	700 Secs (700 Secs) [==>]	[1]
	8	F814W_OR BIT2	(30) NGC4522	WFC3/UVIS, ACCUM, UVIS-FIX	F814W	FLASH=15	POS TARG 0.172,1.803	Prime + Parallel Group 8-11 in NGC4522_BB_NB (30)	260 Secs (260 Secs) [==>]	[2]
	9	F438W_OR BIT2	(30) NGC4522	WFC3/UVIS, ACCUM, UVIS-FIX	F438W	FLASH=17	POS TARG 0.172,1.803	Prime + Parallel Group 8-11 in NGC4522_BB_NB (30)	348 Secs (348 Secs) [==>]	[2]
	10	F336W_OR BIT2	(30) NGC4522	WFC3/UVIS, ACCUM, UVIS-FIX	F336W	FLASH=20	POS TARG 0.172,1.803	Prime + Parallel Group 8-11 in NGC4522_BB_NB (30)	300 Secs (300 Secs) [==>]	[2]
	11	F606W-PA R_ORBIT2	ANY	ACS/WFC, ACCUM, WFC	F606W			Prime + Parallel Group 8-11 in NGC4522_BB_NB (30)	900 Secs (900 Secs) [==>]	[2]
	12	F275W_OR BIT2	(30) NGC4522	WFC3/UVIS, ACCUM, UVIS-FIX	F275W	FLASH=20	POS TARG 0.172,1.803	Prime + Parallel Group 12-14 in NGC4522_BB_NB (30)	668 Secs (668 Secs) [==>]	[2]
	13	F555W_OR BIT2	(30) NGC4522	WFC3/UVIS, ACCUM, UVIS-FIX	F555W	FLASH=15	POS TARG 0.172,1.803	Prime + Parallel Group 12-14 in NGC4522_BB_NB (30)	212 Secs (212 Secs) [==>]	[2]
	14	F814W-PA R_ORBIT2	ANY	ACS/WFC, ACCUM, WFC	F814W			Prime + Parallel Group 12-14 in NGC4522_BB_NB (30)	700 Secs (700 Secs) [==>]	[2]
	15	F814W_OR BIT3	(30) NGC4522	WFC3/UVIS, ACCUM, UVIS-FIX	F814W	FLASH=15	POS TARG 0.343,3.606	Prime + Parallel Group 15-18 in NGC4522_BB_NB (30)	227 Secs (227 Secs) [==>]	[3]
	16	F438W_OR BIT3	(30) NGC4522	WFC3/UVIS, ACCUM, UVIS-FIX	F438W	FLASH=17	POS TARG 0.343,3.606	Prime + Parallel Group 15-18 in NGC4522_BB_NB (30)	348 Secs (348 Secs) [==>]	[3]
	17	F336W_OR BIT3	(30) NGC4522	WFC3/UVIS, ACCUM, UVIS-FIX	F336W	FLASH=20	POS TARG 0.343,3.606	Prime + Parallel Group 15-18 in NGC4522_BB_NB (30)	348 Secs (348 Secs) [==>]	[3]
	18	F814W-PA R_ORBIT3	ANY	ACS/WFC, ACCUM, WFC	F814W			Prime + Parallel Group 15-18 in NGC4522_BB_NB (30)	900 Secs (900 Secs) [==>]	[3]

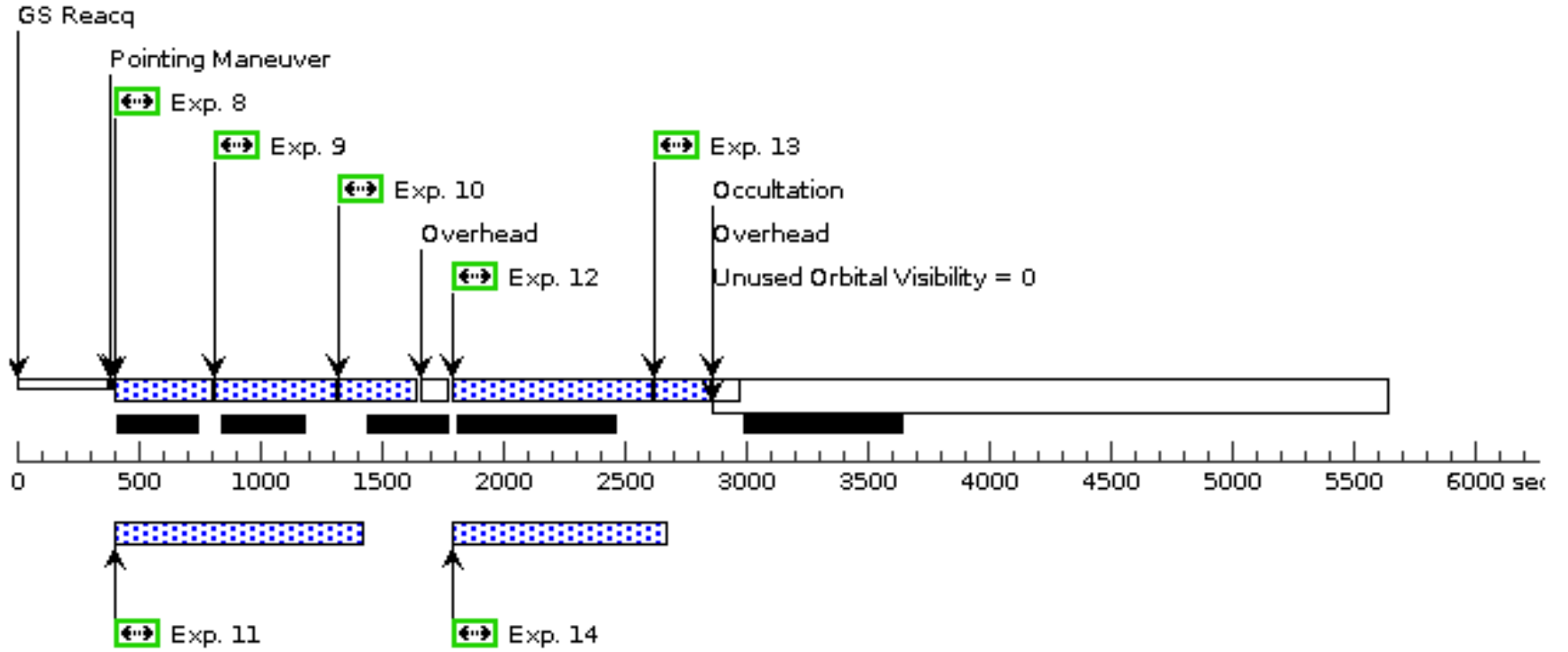
Proposal 18103 - NGC4522 BB NB (30) - Anatomy of a fall: Dissecting the environment-driven transformation of late-type Virgo clust...

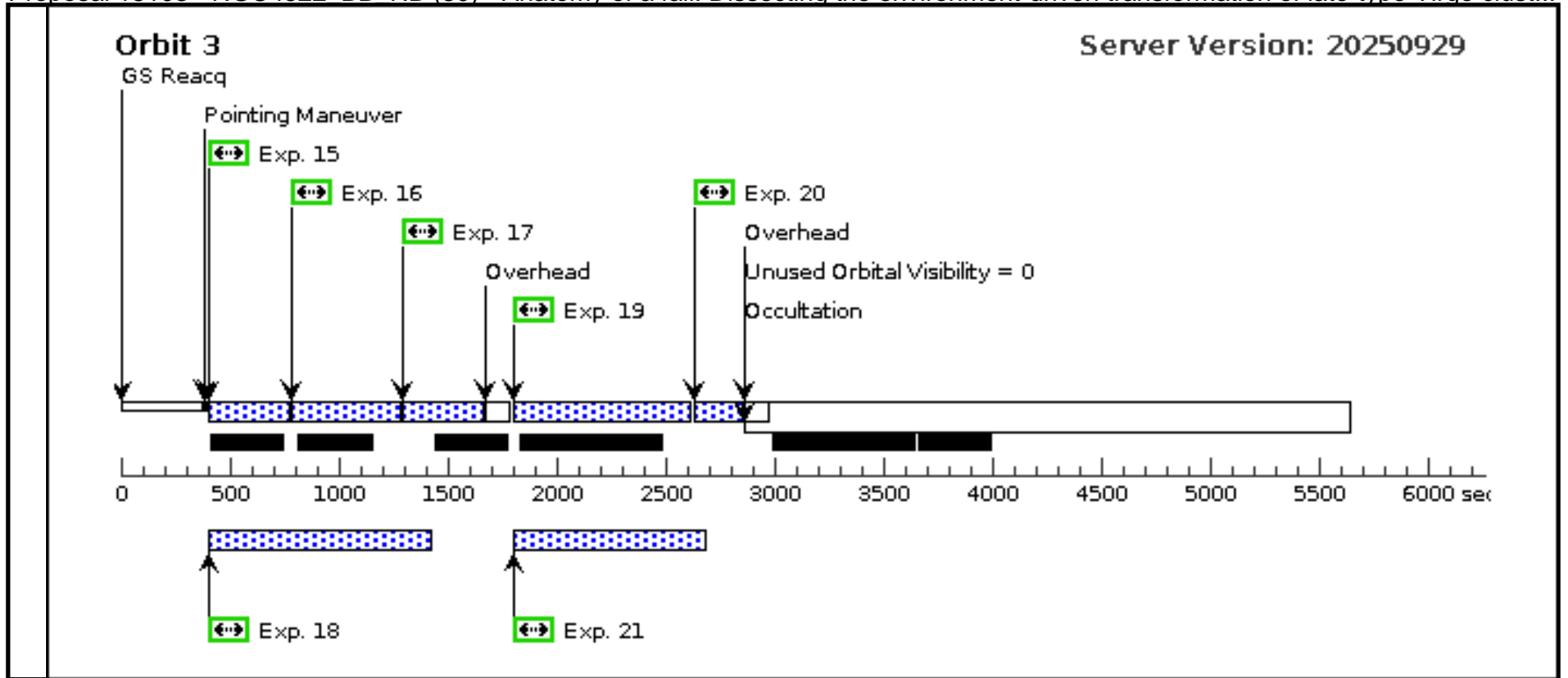
19	F275W_OR BIT3	(30) NGC4522	WFC3/UVIS, ACCUM, UVIS-FIX	F275W	FLASH=20	POS TARG 0.343,3. 606	Prime + Parallel Gro up 19-21 in NGC452 2_BB_NB (30)	665 Secs (665 Secs) [==>]	[3]
20	F555W_OR BIT3	(30) NGC4522	WFC3/UVIS, ACCUM, UVIS-FIX	F555W	FLASH=15	POS TARG 0.343,3. 606	Prime + Parallel Gro up 19-21 in NGC452 2_BB_NB (30)	200 Secs (200 Secs) [==>]	[3]
21	F606W-PA R_ORBIT3	ANY	ACS/WFC, ACCUM, WFC	F606W			Prime + Parallel Gro up 19-21 in NGC452 2_BB_NB (30)	700 Secs (700 Secs) [==>]	[3]



Orbit 2

Server Version: 20250929





Proposal 18103 - NGC4567_BB (31) - Anatomy of a fall: Dissecting the environment-driven transformation of late-type Virgo cluster ga...

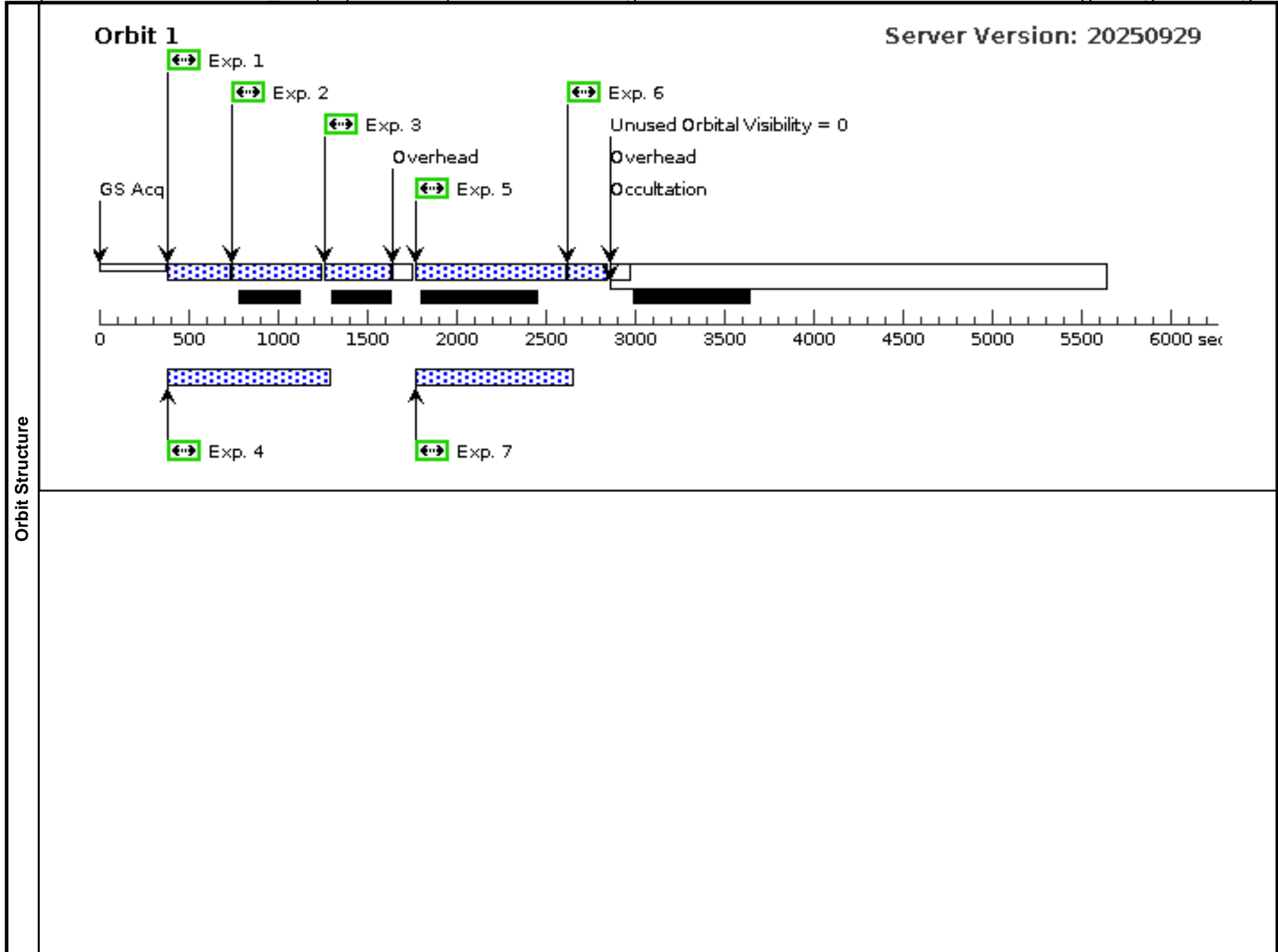
Visit	Proposal 18103, NGC4567_BB (31), scheduling Wed Feb 04 15:01:59 GMT 2026 Diagnostic Status: No Diagnostics Scientific Instruments: WFC3/UVIS, ACS/WFC Special Requirements: SCHED 100%; ORIENT 295D TO 301 D; GROUP 31,68 WITHIN 30D Comments: NUBVIHa					
	Fixed Targets	#	Name	Target Coordinates	Targ. Coord. Corrections	Fluxes
(31)		NGC4567	RA: 12 36 31.9405 (189.1330854d) Dec: +11 15 19.80 (11.25550d) Equinox: J2000		V=11	Reference Frame: ICRS
Comments: Category=GALAXY Description=[SPIRAL]						

Proposal 18103 - NGC4567 BB (31) - Anatomy of a fall: Dissecting the environment-driven transformation of late-type Virgo cluster ga...

Exposures	#	Label	Target	Config,Mode,Aperture	Spectral Els.	Opt. Params.	Special Reqs.	Groups	Exp. Time (Total)/[Actual Dur.]	Orbit
	1	F814W_OR BIT1	(31) NGC4567	WFC3/UVIS, ACCUM, UVIS-FIX	F814W	FLASH=15	POS TARG 0,0	Prime + Parallel Gro up 1-4 in NGC4567_ BB (31)	200 Secs (200 Secs) [==>]	[1]
	2	F438W_OR BIT1	(31) NGC4567	WFC3/UVIS, ACCUM, UVIS-FIX	F438W	FLASH=17	POS TARG 0,0	Prime + Parallel Gro up 1-4 in NGC4567_ BB (31)	348 Secs (348 Secs) [==>]	[1]
	3	F336W_OR BIT1	(31) NGC4567	WFC3/UVIS, ACCUM, UVIS-FIX	F336W	FLASH=20	POS TARG 0,0	Prime + Parallel Gro up 1-4 in NGC4567_ BB (31)	348 Secs (348 Secs) [==>]	[1]
	4	F814W-PA R_ORBIT1	ANY	ACS/WFC, ACCUM, WFC	F814W			Prime + Parallel Gro up 1-4 in NGC4567_ BB (31)	700 Secs (700 Secs) [==>]	[1]
	5	F275W_OR BIT1	(31) NGC4567	WFC3/UVIS, ACCUM, UVIS-FIX	F275W	FLASH=20	POS TARG 0,0	Prime + Parallel Gro up 5-7 in NGC4567_ BB (31)	695 Secs (695 Secs) [==>]	[1]
	6	F555W_OR BIT1	(31) NGC4567	WFC3/UVIS, ACCUM, UVIS-FIX	F555W	FLASH=15	POS TARG 0,0	Prime + Parallel Gro up 5-7 in NGC4567_ BB (31)	204 Secs (204 Secs) [==>]	[1]
	7	F606W-PA R_ORBIT1	ANY	ACS/WFC, ACCUM, WFC	F606W			Prime + Parallel Gro up 5-7 in NGC4567_ BB (31)	700 Secs (700 Secs) [==>]	[1]
	8	F814W_OR BIT2	(31) NGC4567	WFC3/UVIS, ACCUM, UVIS-FIX	F814W	FLASH=15	POS TARG 0.172,1. 803	Prime + Parallel Gro up 8-11 in NGC4567_ BB (31)	260 Secs (260 Secs) [==>]	[2]
	9	F438W_OR BIT2	(31) NGC4567	WFC3/UVIS, ACCUM, UVIS-FIX	F438W	FLASH=17	POS TARG 0.172,1. 803	Prime + Parallel Gro up 8-11 in NGC4567_ BB (31)	348 Secs (348 Secs) [==>]	[2]
	10	F336W_OR BIT2	(31) NGC4567	WFC3/UVIS, ACCUM, UVIS-FIX	F336W	FLASH=20	POS TARG 0.172,1. 803	Prime + Parallel Gro up 8-11 in NGC4567_ BB (31)	300 Secs (300 Secs) [==>]	[2]
	11	F606W-PA R_ORBIT2	ANY	ACS/WFC, ACCUM, WFC	F606W			Prime + Parallel Gro up 8-11 in NGC4567_ BB (31)	900 Secs (900 Secs) [==>]	[2]
	12	F275W_OR BIT2	(31) NGC4567	WFC3/UVIS, ACCUM, UVIS-FIX	F275W	FLASH=20	POS TARG 0.172,1. 803	Prime + Parallel Gro up 12-14 in NGC456 7_BB (31)	668 Secs (668 Secs) [==>]	[2]
	13	F555W_OR BIT2	(31) NGC4567	WFC3/UVIS, ACCUM, UVIS-FIX	F555W	FLASH=15	POS TARG 0.172,1. 803	Prime + Parallel Gro up 12-14 in NGC456 7_BB (31)	212 Secs (212 Secs) [==>]	[2]
	14	F814W-PA R_ORBIT2	ANY	ACS/WFC, ACCUM, WFC	F814W			Prime + Parallel Gro up 12-14 in NGC456 7_BB (31)	700 Secs (700 Secs) [==>]	[2]
	15	F814W_OR BIT3	(31) NGC4567	WFC3/UVIS, ACCUM, UVIS-FIX	F814W	FLASH=15	POS TARG 0.343,3. 606	Prime + Parallel Gro up 15-18 in NGC456 7_BB (31)	227 Secs (227 Secs) [==>]	[3]
	16	F438W_OR BIT3	(31) NGC4567	WFC3/UVIS, ACCUM, UVIS-FIX	F438W	FLASH=17	POS TARG 0.343,3. 606	Prime + Parallel Gro up 15-18 in NGC456 7_BB (31)	348 Secs (348 Secs) [==>]	[3]
	17	F336W_OR BIT3	(31) NGC4567	WFC3/UVIS, ACCUM, UVIS-FIX	F336W	FLASH=20	POS TARG 0.343,3. 606	Prime + Parallel Gro up 15-18 in NGC456 7_BB (31)	348 Secs (348 Secs) [==>]	[3]
18	F814W-PA R_ORBIT3	ANY	ACS/WFC, ACCUM, WFC	F814W			Prime + Parallel Gro up 15-18 in NGC456 7_BB (31)	900 Secs (900 Secs) [==>]	[3]	

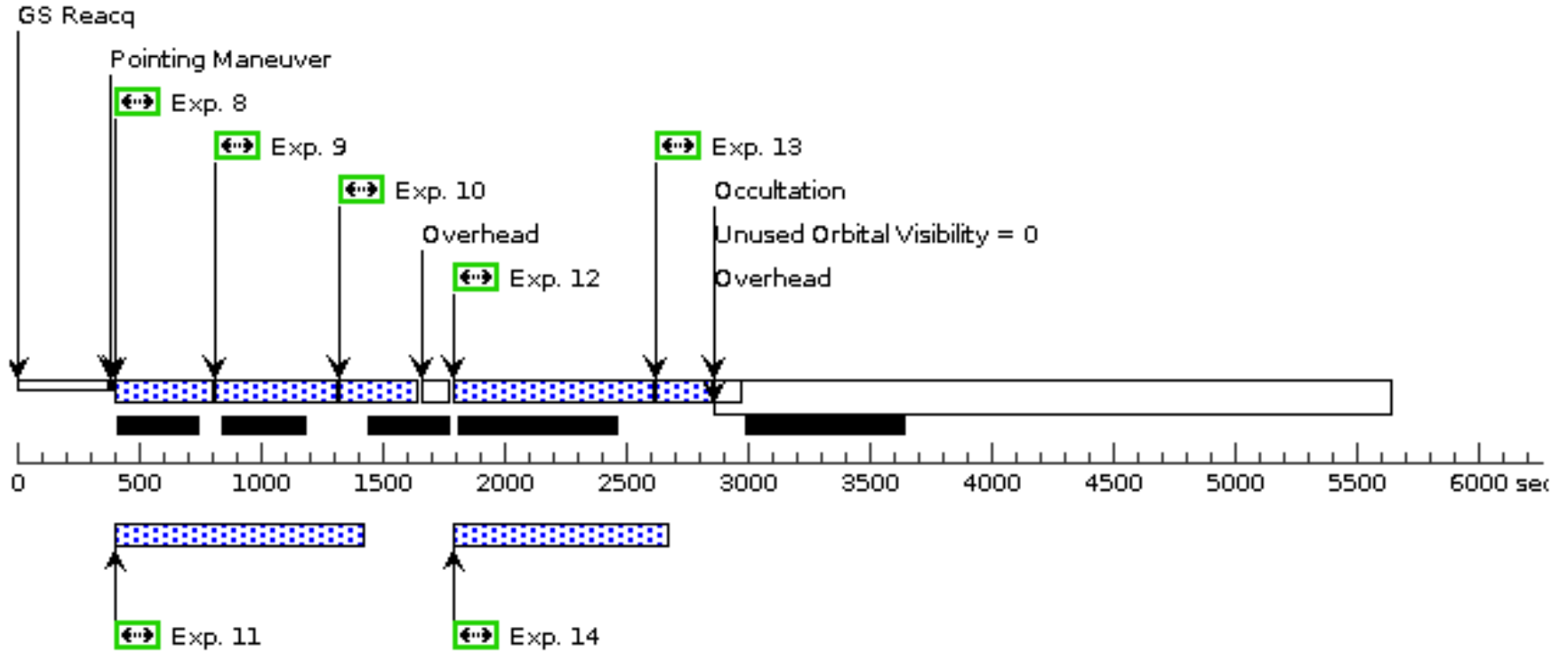
Proposal 18103 - NGC4567 BB (31) - Anatomy of a fall: Dissecting the environment-driven transformation of late-type Virgo cluster ga...

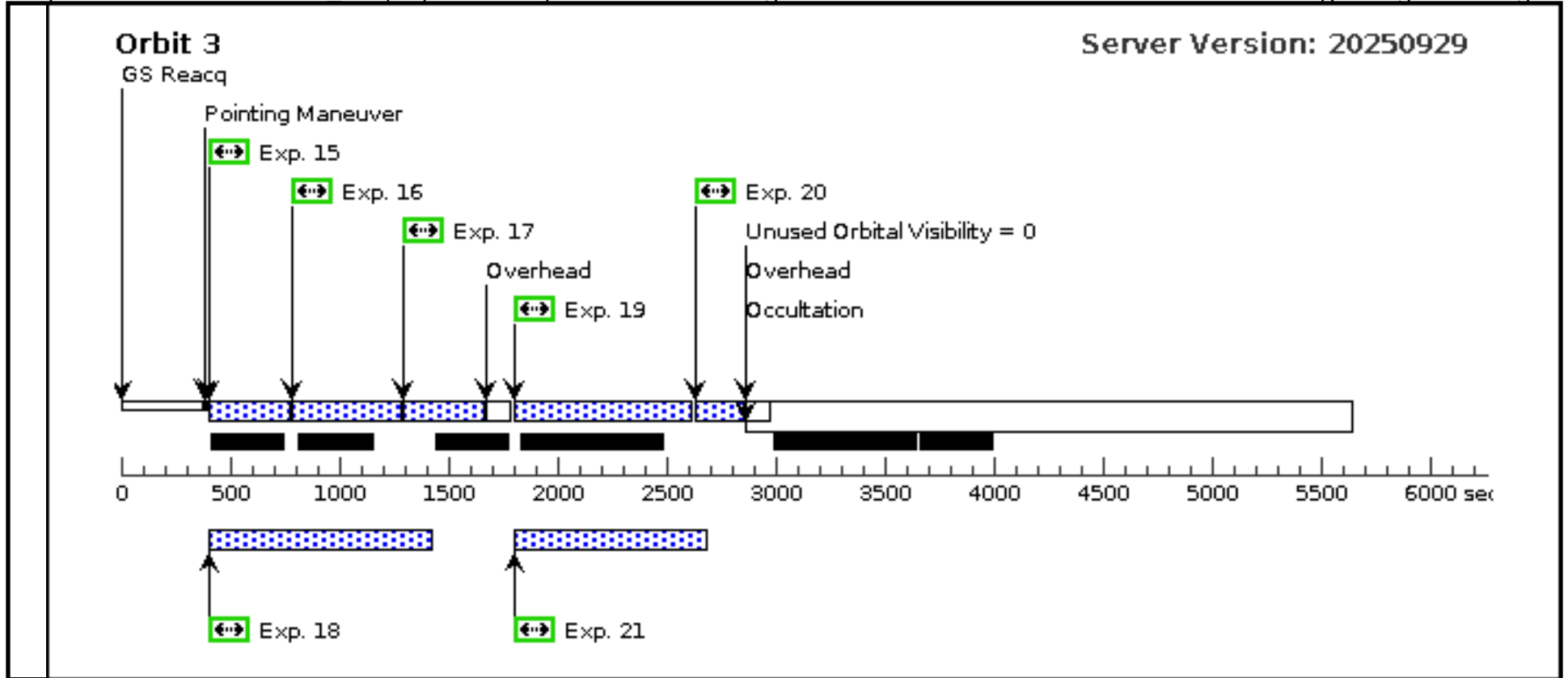
19	F275W_OR BIT3	(31) NGC4567	WFC3/UVIS, ACCUM, UVIS-FIX	F275W	FLASH=20	POS TARG 0.343,3. 606	Prime + Parallel Gro up 19-21 in NGC456 7_BB (31)	665 Secs (665 Secs) [==>]	[3]
20	F555W_OR BIT3	(31) NGC4567	WFC3/UVIS, ACCUM, UVIS-FIX	F555W	FLASH=15	POS TARG 0.343,3. 606	Prime + Parallel Gro up 19-21 in NGC456 7_BB (31)	200 Secs (200 Secs) [==>]	[3]
21	F606W-PA R_ORBIT3	ANY	ACS/WFC, ACCUM, WFC	F606W			Prime + Parallel Gro up 19-21 in NGC456 7_BB (31)	700 Secs (700 Secs) [==>]	[3]



Orbit 2

Server Version: 20250929





Proposal 18103 - NGC4568_BB (32) - Anatomy of a fall: Dissecting the environment-driven transformation of late-type Virgo cluster ga...

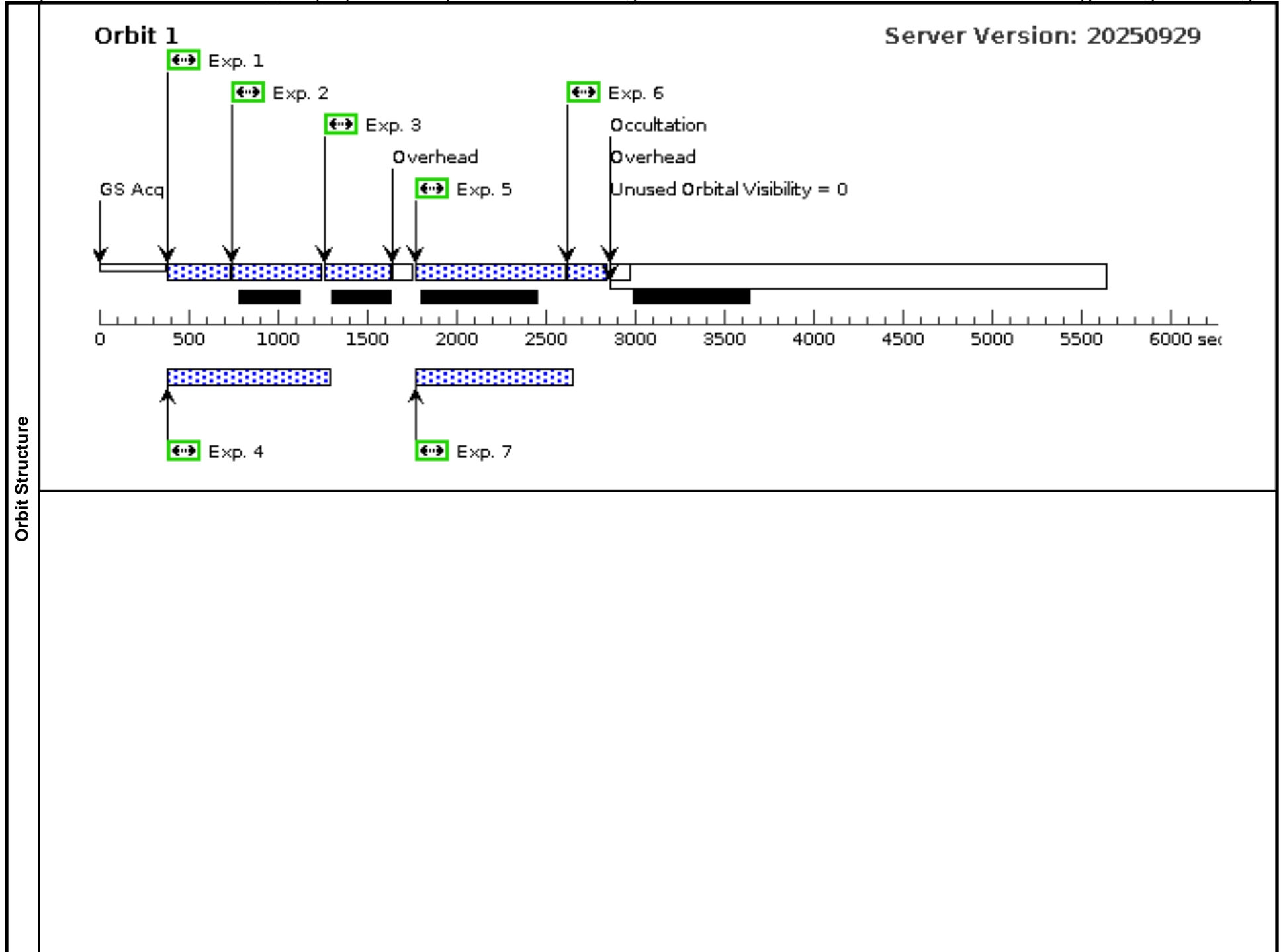
Visit	<p>Proposal 18103, NGC4568_BB (32), scheduling Wed Feb 04 15:01:59 GMT 2026</p> <p>Diagnostic Status: No Diagnostics</p> <p>Scientific Instruments: WFC3/UVIS, ACS/WFC</p> <p>Special Requirements: SCHED 100%; ORIENT 42D TO 48 D; ORIENT 222D TO 228 D; GROUP 32,69 WITHIN 30D</p> <p><i>Comments: NUBVIHa (has f814)</i></p>					
	Fixed Targets	#	Name	Target Coordinates	Targ. Coord. Corrections	Fluxes
(32)		NGC4568	RA: 12 36 33.1504 (189.1381267d) Dec: +11 13 30.90 (11.22525d) Equinox: J2000		V=11	Reference Frame: ICRS
<p><i>Comments:</i> Category=GALAXY Description=[SPIRAL]</p>						

Proposal 18103 - NGC4568 BB (32) - Anatomy of a fall: Dissecting the environment-driven transformation of late-type Virgo cluster ga...

Exposures	#	Label	Target	Config,Mode,Aperture	Spectral Els.	Opt. Params.	Special Reqs.	Groups	Exp. Time (Total)/[Actual Dur.]	Orbit
	1	F814W_OR BIT1	(32) NGC4568	WFC3/UVIS, ACCUM, UVIS-FIX	F814W	FLASH=15	POS TARG 0,0	Prime + Parallel Gro up 1-4 in NGC4568_ BB (32)	200 Secs (200 Secs) [==>]	[1]
	2	F438W_OR BIT1	(32) NGC4568	WFC3/UVIS, ACCUM, UVIS-FIX	F438W	FLASH=17	POS TARG 0,0	Prime + Parallel Gro up 1-4 in NGC4568_ BB (32)	348 Secs (348 Secs) [==>]	[1]
	3	F336W_OR BIT1	(32) NGC4568	WFC3/UVIS, ACCUM, UVIS-FIX	F336W	FLASH=20	POS TARG 0,0	Prime + Parallel Gro up 1-4 in NGC4568_ BB (32)	348 Secs (348 Secs) [==>]	[1]
	4	F814W-PA R_ORBIT1	ANY	ACS/WFC, ACCUM, WFC	F814W			Prime + Parallel Gro up 1-4 in NGC4568_ BB (32)	700 Secs (700 Secs) [==>]	[1]
	5	F275W_OR BIT1	(32) NGC4568	WFC3/UVIS, ACCUM, UVIS-FIX	F275W	FLASH=20	POS TARG 0,0	Prime + Parallel Gro up 5-7 in NGC4568_ BB (32)	695 Secs (695 Secs) [==>]	[1]
	6	F555W_OR BIT1	(32) NGC4568	WFC3/UVIS, ACCUM, UVIS-FIX	F555W	FLASH=15	POS TARG 0,0	Prime + Parallel Gro up 5-7 in NGC4568_ BB (32)	204 Secs (204 Secs) [==>]	[1]
	7	F606W-PA R_ORBIT1	ANY	ACS/WFC, ACCUM, WFC	F606W			Prime + Parallel Gro up 5-7 in NGC4568_ BB (32)	700 Secs (700 Secs) [==>]	[1]
	8	F814W_OR BIT2	(32) NGC4568	WFC3/UVIS, ACCUM, UVIS-FIX	F814W	FLASH=15	POS TARG 0.172,1. 803	Prime + Parallel Gro up 8-11 in NGC4568_ BB (32)	260 Secs (260 Secs) [==>]	[2]
	9	F438W_OR BIT2	(32) NGC4568	WFC3/UVIS, ACCUM, UVIS-FIX	F438W	FLASH=17	POS TARG 0.172,1. 803	Prime + Parallel Gro up 8-11 in NGC4568_ BB (32)	348 Secs (348 Secs) [==>]	[2]
	10	F336W_OR BIT2	(32) NGC4568	WFC3/UVIS, ACCUM, UVIS-FIX	F336W	FLASH=20	POS TARG 0.172,1. 803	Prime + Parallel Gro up 8-11 in NGC4568_ BB (32)	300 Secs (300 Secs) [==>]	[2]
	11	F606W-PA R_ORBIT2	ANY	ACS/WFC, ACCUM, WFC	F606W			Prime + Parallel Gro up 8-11 in NGC4568_ BB (32)	900 Secs (900 Secs) [==>]	[2]
	12	F275W_OR BIT2	(32) NGC4568	WFC3/UVIS, ACCUM, UVIS-FIX	F275W	FLASH=20	POS TARG 0.172,1. 803	Prime + Parallel Gro up 12-14 in NGC456 8_BB (32)	668 Secs (668 Secs) [==>]	[2]
	13	F555W_OR BIT2	(32) NGC4568	WFC3/UVIS, ACCUM, UVIS-FIX	F555W	FLASH=15	POS TARG 0.172,1. 803	Prime + Parallel Gro up 12-14 in NGC456 8_BB (32)	212 Secs (212 Secs) [==>]	[2]
	14	F814W-PA R_ORBIT2	ANY	ACS/WFC, ACCUM, WFC	F814W			Prime + Parallel Gro up 12-14 in NGC456 8_BB (32)	700 Secs (700 Secs) [==>]	[2]
	15	F814W_OR BIT3	(32) NGC4568	WFC3/UVIS, ACCUM, UVIS-FIX	F814W	FLASH=15	POS TARG 0.343,3. 606	Prime + Parallel Gro up 15-18 in NGC456 8_BB (32)	227 Secs (227 Secs) [==>]	[3]
	16	F438W_OR BIT3	(32) NGC4568	WFC3/UVIS, ACCUM, UVIS-FIX	F438W	FLASH=17	POS TARG 0.343,3. 606	Prime + Parallel Gro up 15-18 in NGC456 8_BB (32)	348 Secs (348 Secs) [==>]	[3]
	17	F336W_OR BIT3	(32) NGC4568	WFC3/UVIS, ACCUM, UVIS-FIX	F336W	FLASH=20	POS TARG 0.343,3. 606	Prime + Parallel Gro up 15-18 in NGC456 8_BB (32)	348 Secs (348 Secs) [==>]	[3]
18	F814W-PA R_ORBIT3	ANY	ACS/WFC, ACCUM, WFC	F814W			Prime + Parallel Gro up 15-18 in NGC456 8_BB (32)	900 Secs (900 Secs) [==>]	[3]	

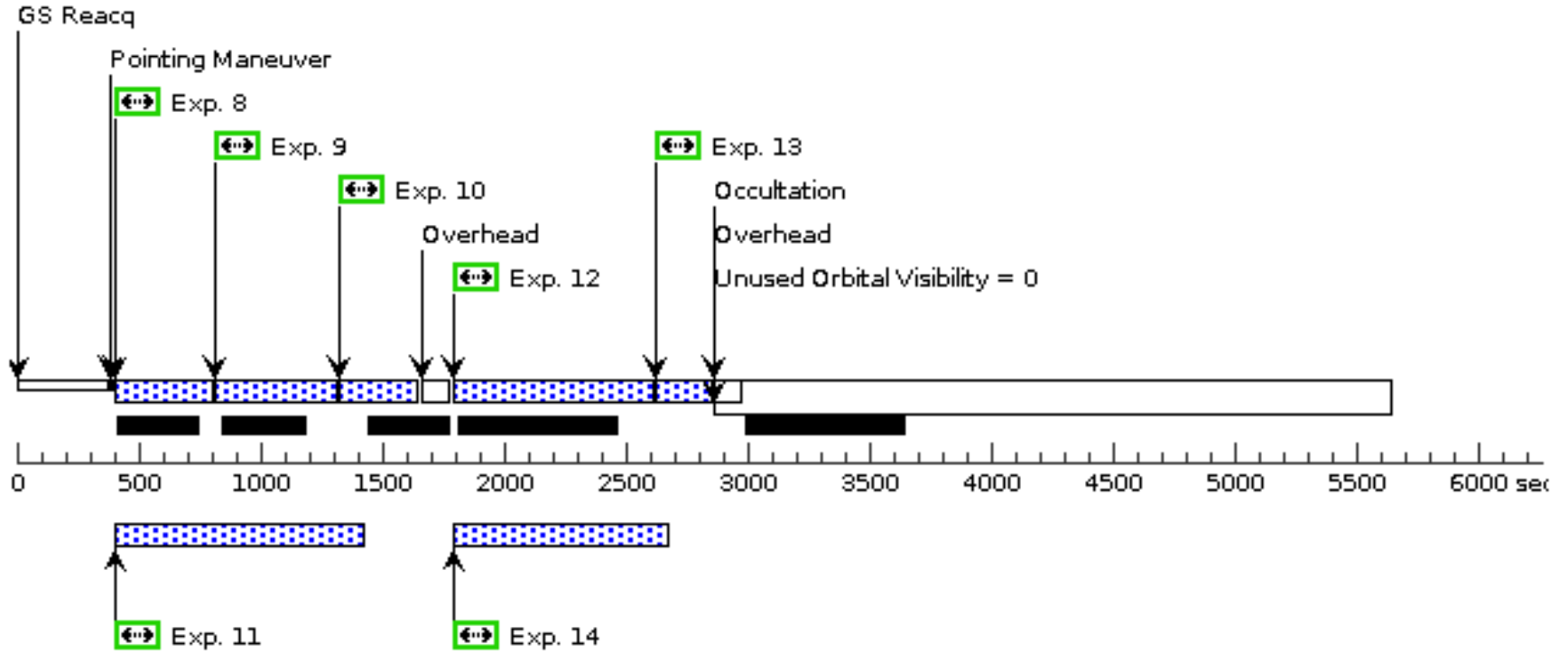
Proposal 18103 - NGC4568 BB (32) - Anatomy of a fall: Dissecting the environment-driven transformation of late-type Virgo cluster ga...

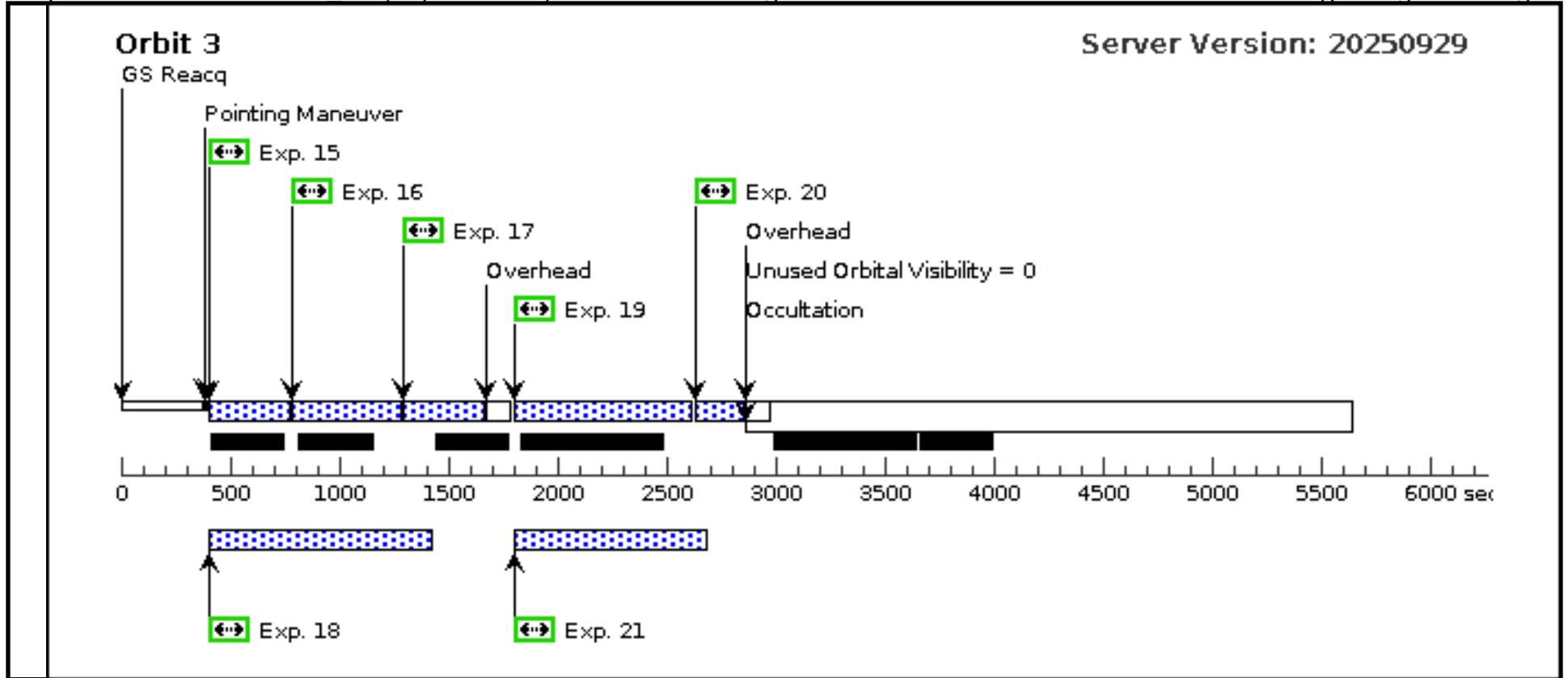
19	F275W_OR BIT3	(32) NGC4568	WFC3/UVIS, ACCUM, UVIS-FIX	F275W	FLASH=20	POS TARG 0.343,3. 606	Prime + Parallel Gro up 19-21 in NGC456 8_BB (32)	665 Secs (665 Secs) [==>]	[3]
20	F555W_OR BIT3	(32) NGC4568	WFC3/UVIS, ACCUM, UVIS-FIX	F555W	FLASH=15	POS TARG 0.343,3. 606	Prime + Parallel Gro up 19-21 in NGC456 8_BB (32)	200 Secs (200 Secs) [==>]	[3]
21	F606W-PA R_ORBIT3	ANY	ACS/WFC, ACCUM, WFC	F606W			Prime + Parallel Gro up 19-21 in NGC456 8_BB (32)	700 Secs (700 Secs) [==>]	[3]



Orbit 2

Server Version: 20250929





Proposal 18103 - NGC4580_BB (33) - Anatomy of a fall: Dissecting the environment-driven transformation of late-type Virgo cluster ga...

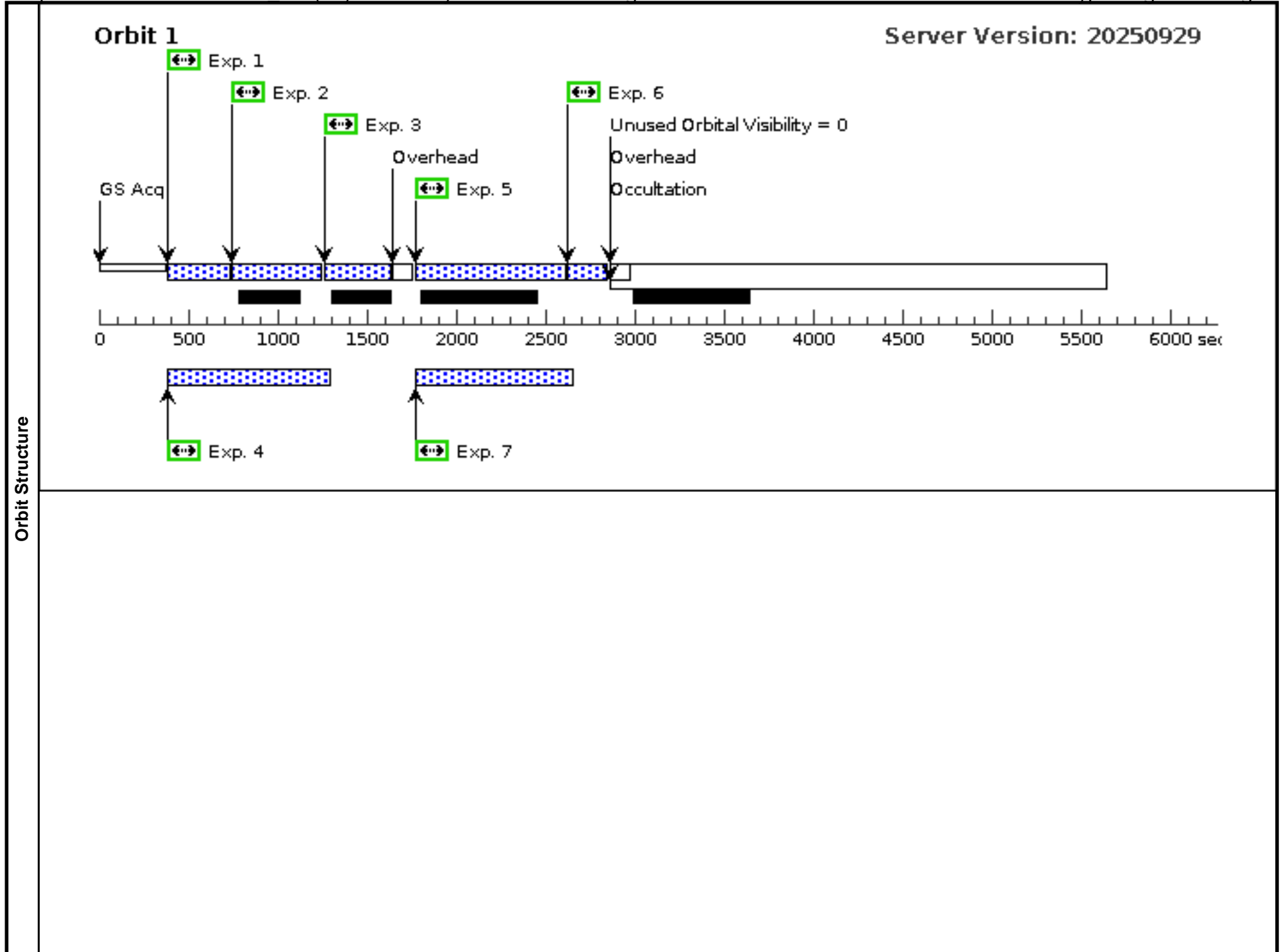
Visit	Proposal 18103, NGC4580_BB (33), scheduling Wed Feb 04 15:01:59 GMT 2026 Diagnostic Status: No Diagnostics Scientific Instruments: WFC3/UVIS, ACS/WFC Special Requirements: SCHED 100%; GROUP 33,70 WITHIN 30D Comments: NUBVIHa					
	Fixed Targets	#	Name	Target Coordinates	Targ. Coord. Corrections	Fluxes
(33)		NGC4580	RA: 12 37 48.3754 (189.4515642d) Dec: +05 22 6.63 (5.36851d) Equinox: J2000		V=11	Reference Frame: ICRS
Comments: Category=GALAXY Description=[SPIRAL]						

Proposal 18103 - NGC4580 BB (33) - Anatomy of a fall: Dissecting the environment-driven transformation of late-type Virgo cluster ga...

#	Label	Target	Config,Mode,Aperture	Spectral Els.	Opt. Params.	Special Reqs.	Groups	Exp. Time (Total)/[Actual Dur.]	Orbit	
Exposures	1	F814W_OR BIT1	(33) NGC4580	WFC3/UVIS, ACCUM, UVIS-FIX	F814W	FLASH=15	POS TARG 0,0	Prime + Parallel Group 1-4 in NGC4580_BB (33)	200 Secs (200 Secs) [==>]	[1]
	2	F438W_OR BIT1	(33) NGC4580	WFC3/UVIS, ACCUM, UVIS-FIX	F438W	FLASH=17	POS TARG 0,0	Prime + Parallel Group 1-4 in NGC4580_BB (33)	348 Secs (348 Secs) [==>]	[1]
	3	F336W_OR BIT1	(33) NGC4580	WFC3/UVIS, ACCUM, UVIS-FIX	F336W	FLASH=20	POS TARG 0,0	Prime + Parallel Group 1-4 in NGC4580_BB (33)	348 Secs (348 Secs) [==>]	[1]
	4	F814W-PA R_ORBIT1	ANY	ACS/WFC, ACCUM, WFC	F814W			Prime + Parallel Group 1-4 in NGC4580_BB (33)	700 Secs (700 Secs) [==>]	[1]
	5	F275W_OR BIT1	(33) NGC4580	WFC3/UVIS, ACCUM, UVIS-FIX	F275W	FLASH=20	POS TARG 0,0	Prime + Parallel Group 5-7 in NGC4580_BB (33)	695 Secs (695 Secs) [==>]	[1]
	6	F555W_OR BIT1	(33) NGC4580	WFC3/UVIS, ACCUM, UVIS-FIX	F555W	FLASH=15	POS TARG 0,0	Prime + Parallel Group 5-7 in NGC4580_BB (33)	204 Secs (204 Secs) [==>]	[1]
	7	F606W-PA R_ORBIT1	ANY	ACS/WFC, ACCUM, WFC	F606W			Prime + Parallel Group 5-7 in NGC4580_BB (33)	700 Secs (700 Secs) [==>]	[1]
	8	F814W_OR BIT2	(33) NGC4580	WFC3/UVIS, ACCUM, UVIS-FIX	F814W	FLASH=15	POS TARG 0.172,1.803	Prime + Parallel Group 8-11 in NGC4580_BB (33)	260 Secs (260 Secs) [==>]	[2]
	9	F438W_OR BIT2	(33) NGC4580	WFC3/UVIS, ACCUM, UVIS-FIX	F438W	FLASH=17	POS TARG 0.172,1.803	Prime + Parallel Group 8-11 in NGC4580_BB (33)	348 Secs (348 Secs) [==>]	[2]
	10	F336W_OR BIT2	(33) NGC4580	WFC3/UVIS, ACCUM, UVIS-FIX	F336W	FLASH=20	POS TARG 0.172,1.803	Prime + Parallel Group 8-11 in NGC4580_BB (33)	300 Secs (300 Secs) [==>]	[2]
	11	F606W-PA R_ORBIT2	ANY	ACS/WFC, ACCUM, WFC	F606W			Prime + Parallel Group 8-11 in NGC4580_BB (33)	900 Secs (900 Secs) [==>]	[2]
	12	F275W_OR BIT2	(33) NGC4580	WFC3/UVIS, ACCUM, UVIS-FIX	F275W	FLASH=20	POS TARG 0.172,1.803	Prime + Parallel Group 12-14 in NGC4580_BB (33)	668 Secs (668 Secs) [==>]	[2]
	13	F555W_OR BIT2	(33) NGC4580	WFC3/UVIS, ACCUM, UVIS-FIX	F555W	FLASH=15	POS TARG 0.172,1.803	Prime + Parallel Group 12-14 in NGC4580_BB (33)	212 Secs (212 Secs) [==>]	[2]
	14	F814W-PA R_ORBIT2	ANY	ACS/WFC, ACCUM, WFC	F814W			Prime + Parallel Group 12-14 in NGC4580_BB (33)	700 Secs (700 Secs) [==>]	[2]
	15	F814W_OR BIT3	(33) NGC4580	WFC3/UVIS, ACCUM, UVIS-FIX	F814W	FLASH=15	POS TARG 0.343,3.606	Prime + Parallel Group 15-18 in NGC4580_BB (33)	227 Secs (227 Secs) [==>]	[3]
	16	F438W_OR BIT3	(33) NGC4580	WFC3/UVIS, ACCUM, UVIS-FIX	F438W	FLASH=17	POS TARG 0.343,3.606	Prime + Parallel Group 15-18 in NGC4580_BB (33)	348 Secs (348 Secs) [==>]	[3]
	17	F336W_OR BIT3	(33) NGC4580	WFC3/UVIS, ACCUM, UVIS-FIX	F336W	FLASH=20	POS TARG 0.343,3.606	Prime + Parallel Group 15-18 in NGC4580_BB (33)	348 Secs (348 Secs) [==>]	[3]
	18	F814W-PA R_ORBIT3	ANY	ACS/WFC, ACCUM, WFC	F814W			Prime + Parallel Group 15-18 in NGC4580_BB (33)	900 Secs (900 Secs) [==>]	[3]

Proposal 18103 - NGC4580 BB (33) - Anatomy of a fall: Dissecting the environment-driven transformation of late-type Virgo cluster ga...

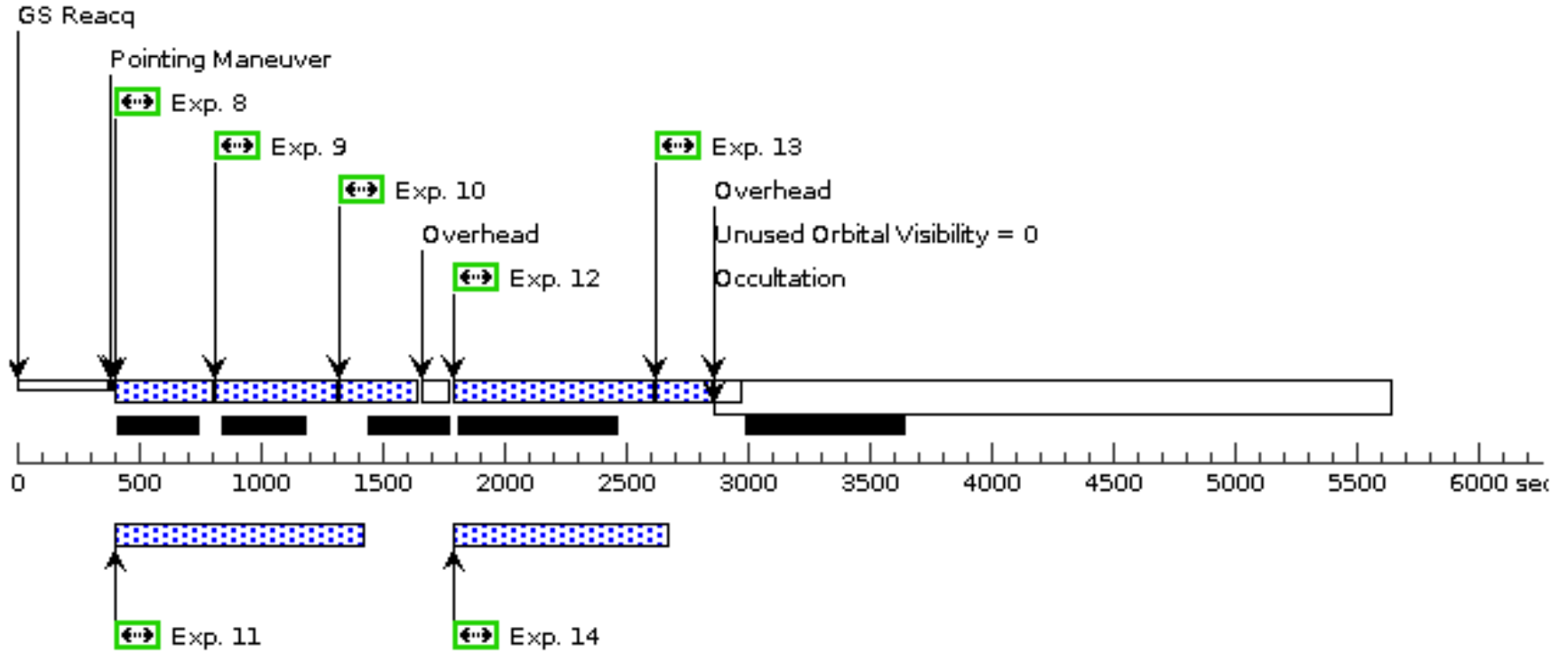
19	F275W_OR BIT3	(33) NGC4580	WFC3/UVIS, ACCUM, UVIS-FIX	F275W	FLASH=20	POS TARG 0.343,3. 606	Prime + Parallel Gro up 19-21 in NGC458 0_BB (33)	665 Secs (665 Secs) [==>]	[3]
20	F555W_OR BIT3	(33) NGC4580	WFC3/UVIS, ACCUM, UVIS-FIX	F555W	FLASH=15	POS TARG 0.343,3. 606	Prime + Parallel Gro up 19-21 in NGC458 0_BB (33)	200 Secs (200 Secs) [==>]	[3]
21	F606W-PA R_ORBIT3	ANY	ACS/WFC, ACCUM, WFC	F606W			Prime + Parallel Gro up 19-21 in NGC458 0_BB (33)	700 Secs (700 Secs) [==>]	[3]

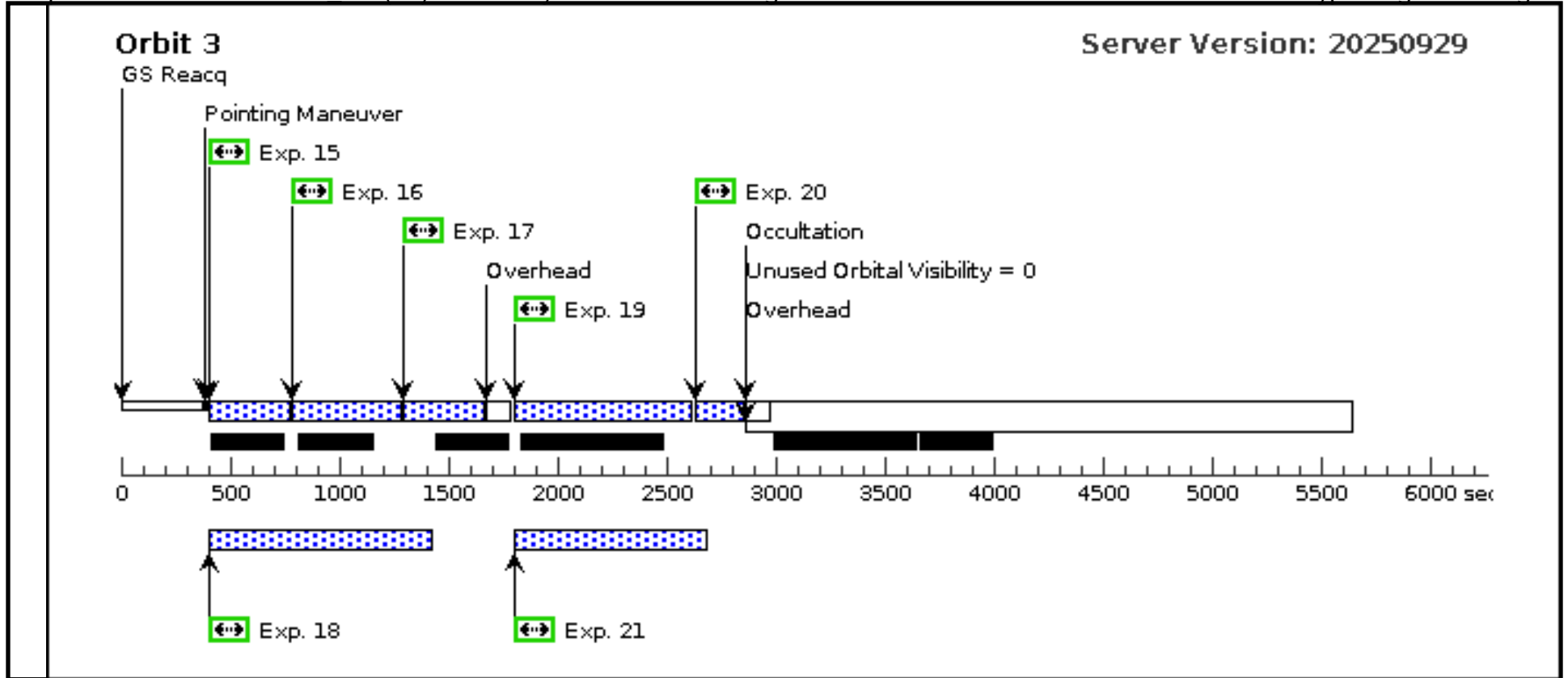


Orbit Structure

Orbit 2

Server Version: 20250929





Proposal 18103 - NGC4606_BB (34) - Anatomy of a fall: Dissecting the environment-driven transformation of late-type Virgo cluster ga...

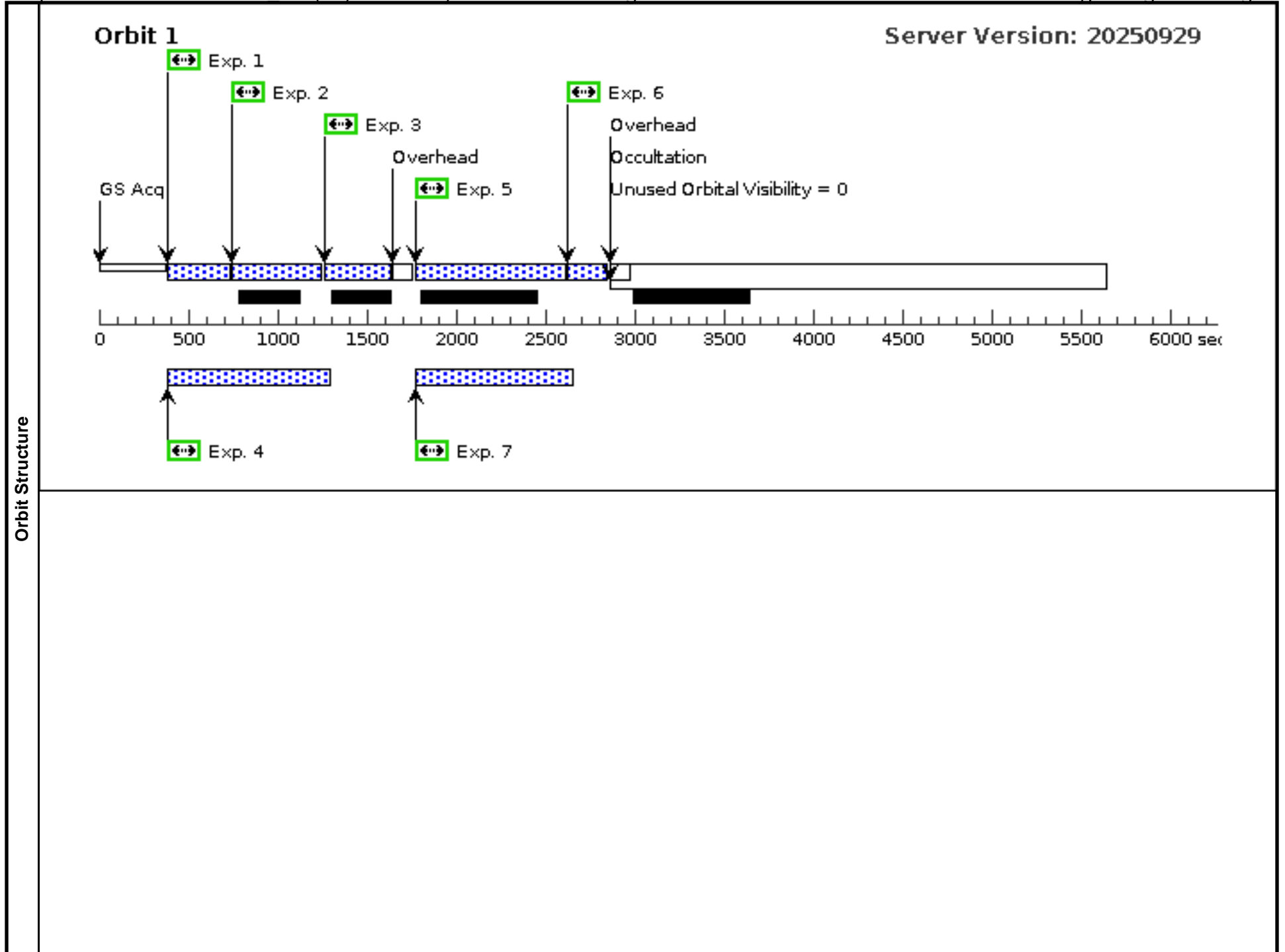
Visit	Proposal 18103, NGC4606_BB (34), scheduling Wed Feb 04 15:01:59 GMT 2026 Diagnostic Status: No Diagnostics Scientific Instruments: WFC3/UVIS, ACS/WFC Special Requirements: SCHED 100%; GROUP 34,71 WITHIN 30D <i>Comments: NUBVIHa</i>					
	Fixed Targets	#	Name	Target Coordinates	Targ. Coord. Corrections	Fluxes
(34)		NGC4606	RA: 12 40 57.5570 (190.2398208d) Dec: +11 54 43.87 (11.91219d) Equinox: J2000		V=11	Reference Frame: ICRS
<i>Comments:</i> Category=GALAXY Description=[SPIRAL]						

Proposal 18103 - NGC4606 BB (34) - Anatomy of a fall: Dissecting the environment-driven transformation of late-type Virgo cluster ga...

Exposures	#	Label	Target	Config,Mode,Aperture	Spectral Els.	Opt. Params.	Special Reqs.	Groups	Exp. Time (Total)/[Actual Dur.]	Orbit
	1	F814W_OR BIT1	(34) NGC4606	WFC3/UVIS, ACCUM, UVIS-FIX	F814W	FLASH=15	POS TARG 0,0	Prime + Parallel Gro up 1-4 in NGC4606_ BB (34)	200 Secs (200 Secs) [==>]	[1]
	2	F438W_OR BIT1	(34) NGC4606	WFC3/UVIS, ACCUM, UVIS-FIX	F438W	FLASH=17	POS TARG 0,0	Prime + Parallel Gro up 1-4 in NGC4606_ BB (34)	348 Secs (348 Secs) [==>]	[1]
	3	F336W_OR BIT1	(34) NGC4606	WFC3/UVIS, ACCUM, UVIS-FIX	F336W	FLASH=20	POS TARG 0,0	Prime + Parallel Gro up 1-4 in NGC4606_ BB (34)	348 Secs (348 Secs) [==>]	[1]
	4	F814W-PA R_ORBIT1	ANY	ACS/WFC, ACCUM, WFC	F814W			Prime + Parallel Gro up 1-4 in NGC4606_ BB (34)	700 Secs (700 Secs) [==>]	[1]
	5	F275W_OR BIT1	(34) NGC4606	WFC3/UVIS, ACCUM, UVIS-FIX	F275W	FLASH=20	POS TARG 0,0	Prime + Parallel Gro up 5-7 in NGC4606_ BB (34)	695 Secs (695 Secs) [==>]	[1]
	6	F555W_OR BIT1	(34) NGC4606	WFC3/UVIS, ACCUM, UVIS-FIX	F555W	FLASH=15	POS TARG 0,0	Prime + Parallel Gro up 5-7 in NGC4606_ BB (34)	204 Secs (204 Secs) [==>]	[1]
	7	F606W-PA R_ORBIT1	ANY	ACS/WFC, ACCUM, WFC	F606W			Prime + Parallel Gro up 5-7 in NGC4606_ BB (34)	700 Secs (700 Secs) [==>]	[1]
	8	F814W_OR BIT2	(34) NGC4606	WFC3/UVIS, ACCUM, UVIS-FIX	F814W	FLASH=15	POS TARG 0.172,1. 803	Prime + Parallel Gro up 8-11 in NGC4606_ BB (34)	260 Secs (260 Secs) [==>]	[2]
	9	F438W_OR BIT2	(34) NGC4606	WFC3/UVIS, ACCUM, UVIS-FIX	F438W	FLASH=17	POS TARG 0.172,1. 803	Prime + Parallel Gro up 8-11 in NGC4606_ BB (34)	348 Secs (348 Secs) [==>]	[2]
	10	F336W_OR BIT2	(34) NGC4606	WFC3/UVIS, ACCUM, UVIS-FIX	F336W	FLASH=20	POS TARG 0.172,1. 803	Prime + Parallel Gro up 8-11 in NGC4606_ BB (34)	300 Secs (300 Secs) [==>]	[2]
	11	F606W-PA R_ORBIT2	ANY	ACS/WFC, ACCUM, WFC	F606W			Prime + Parallel Gro up 8-11 in NGC4606_ BB (34)	900 Secs (900 Secs) [==>]	[2]
	12	F275W_OR BIT2	(34) NGC4606	WFC3/UVIS, ACCUM, UVIS-FIX	F275W	FLASH=20	POS TARG 0.172,1. 803	Prime + Parallel Gro up 12-14 in NGC460 6_BB (34)	668 Secs (668 Secs) [==>]	[2]
	13	F555W_OR BIT2	(34) NGC4606	WFC3/UVIS, ACCUM, UVIS-FIX	F555W	FLASH=15	POS TARG 0.172,1. 803	Prime + Parallel Gro up 12-14 in NGC460 6_BB (34)	212 Secs (212 Secs) [==>]	[2]
	14	F814W-PA R_ORBIT2	ANY	ACS/WFC, ACCUM, WFC	F814W			Prime + Parallel Gro up 12-14 in NGC460 6_BB (34)	700 Secs (700 Secs) [==>]	[2]
	15	F814W_OR BIT3	(34) NGC4606	WFC3/UVIS, ACCUM, UVIS-FIX	F814W	FLASH=15	POS TARG 0.343,3. 606	Prime + Parallel Gro up 15-18 in NGC460 6_BB (34)	227 Secs (227 Secs) [==>]	[3]
	16	F438W_OR BIT3	(34) NGC4606	WFC3/UVIS, ACCUM, UVIS-FIX	F438W	FLASH=17	POS TARG 0.343,3. 606	Prime + Parallel Gro up 15-18 in NGC460 6_BB (34)	348 Secs (348 Secs) [==>]	[3]
	17	F336W_OR BIT3	(34) NGC4606	WFC3/UVIS, ACCUM, UVIS-FIX	F336W	FLASH=20	POS TARG 0.343,3. 606	Prime + Parallel Gro up 15-18 in NGC460 6_BB (34)	348 Secs (348 Secs) [==>]	[3]
18	F814W-PA R_ORBIT3	ANY	ACS/WFC, ACCUM, WFC	F814W			Prime + Parallel Gro up 15-18 in NGC460 6_BB (34)	900 Secs (900 Secs) [==>]	[3]	

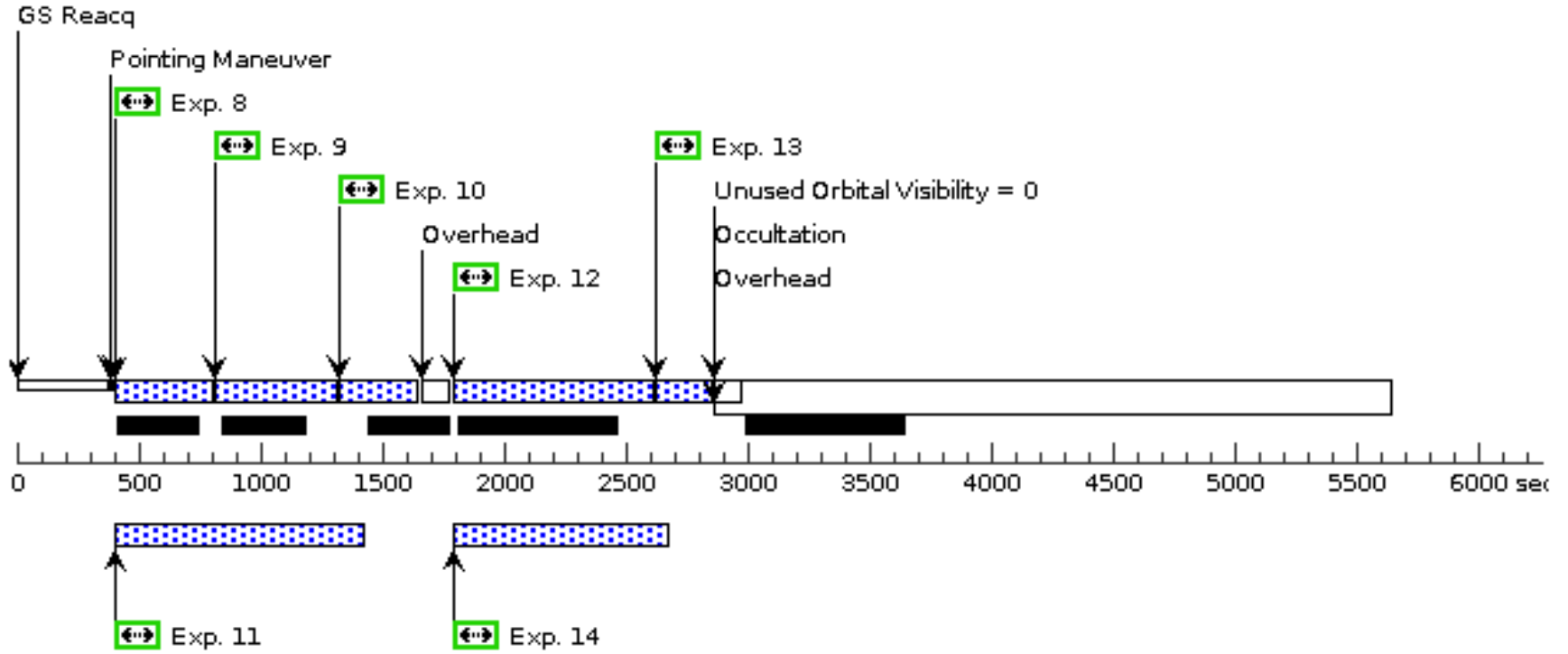
Proposal 18103 - NGC4606 BB (34) - Anatomy of a fall: Dissecting the environment-driven transformation of late-type Virgo cluster ga...

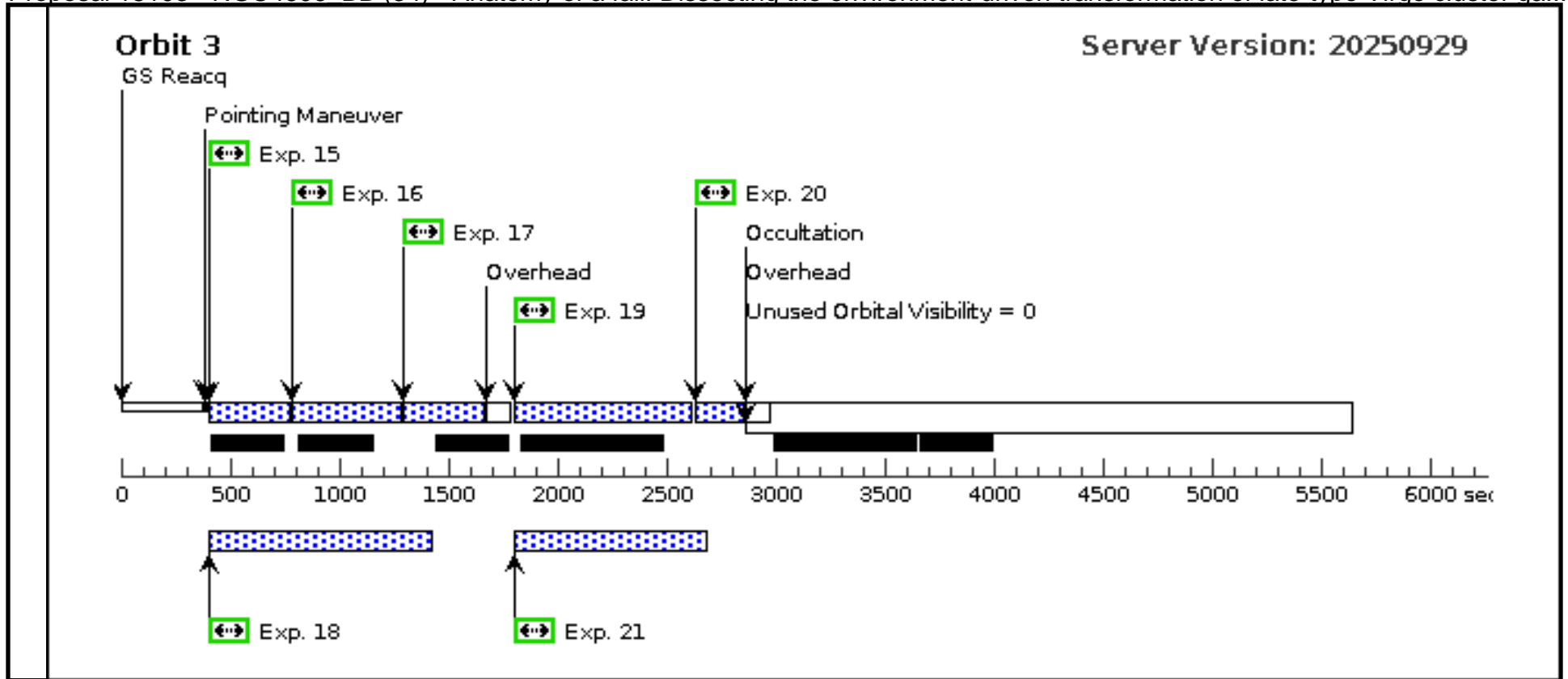
19	F275W_OR BIT3	(34) NGC4606	WFC3/UVIS, ACCUM, UVIS-FIX	F275W	FLASH=20	POS TARG 0.343,3. 606	Prime + Parallel Gro up 19-21 in NGC460 6_BB (34)	665 Secs (665 Secs) [==>]	[3]
20	F555W_OR BIT3	(34) NGC4606	WFC3/UVIS, ACCUM, UVIS-FIX	F555W	FLASH=15	POS TARG 0.343,3. 606	Prime + Parallel Gro up 19-21 in NGC460 6_BB (34)	200 Secs (200 Secs) [==>]	[3]
21	F606W-PA R_ORBIT3	ANY	ACS/WFC, ACCUM, WFC	F606W			Prime + Parallel Gro up 19-21 in NGC460 6_BB (34)	700 Secs (700 Secs) [==>]	[3]



Orbit 2

Server Version: 20250929





Proposal 18103 - NGC4607_BB (35) - Anatomy of a fall: Dissecting the environment-driven transformation of late-type Virgo cluster ga...

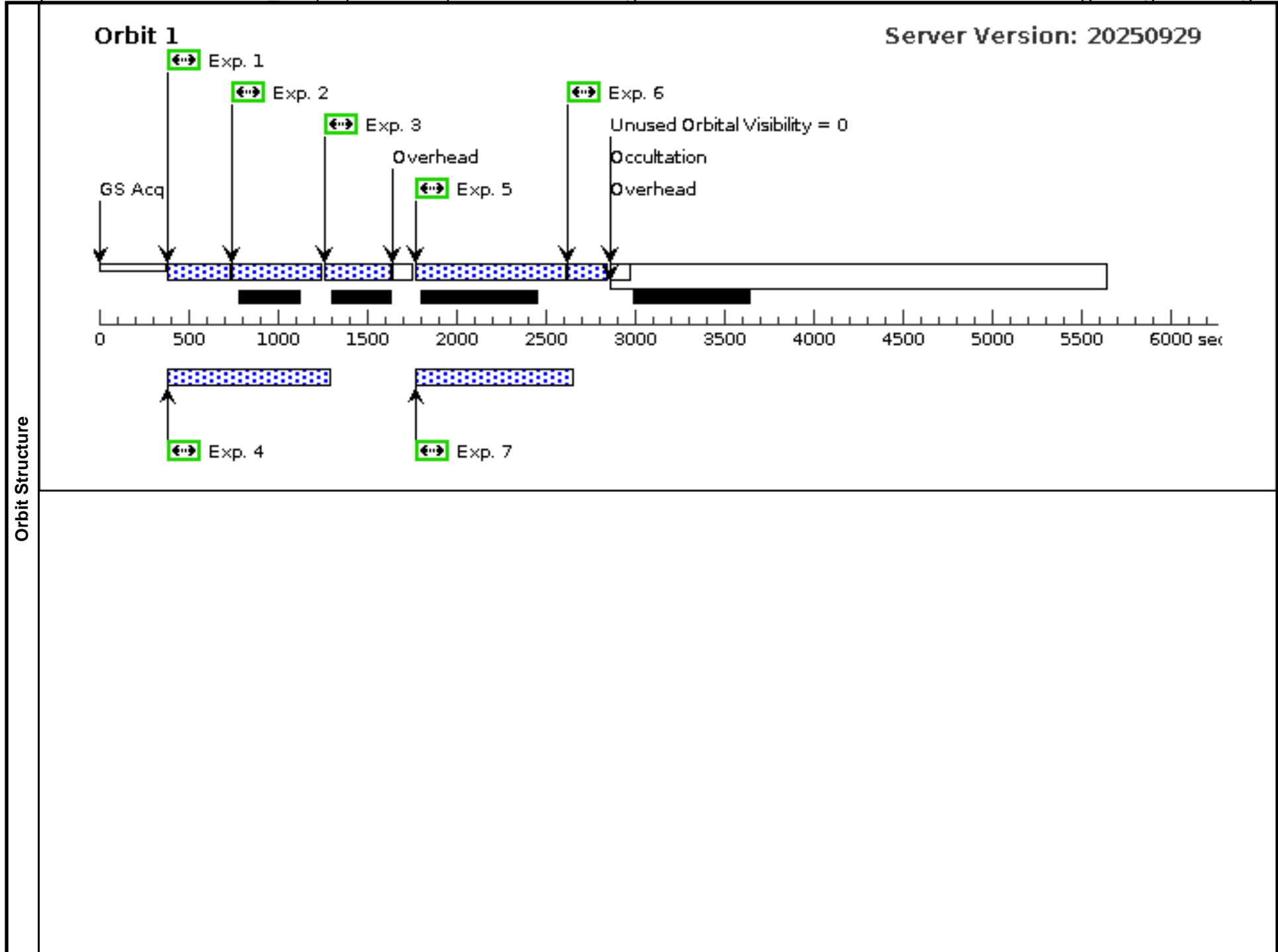
Visit	Proposal 18103, NGC4607_BB (35), scheduling Wed Feb 04 15:01:59 GMT 2026 Diagnostic Status: No Diagnostics Scientific Instruments: WFC3/UVIS, ACS/WFC Special Requirements: SCHED 100%; ORIENT 245D TO 257 D; GROUP 35,72 WITHIN 30D <i>Comments: NUBVIHa</i>					
	Fixed Targets	#	Name	Target Coordinates	Targ. Coord. Corrections	Fluxes
(35)		NGC4607	RA: 12 41 12.4070 (190.3016958d) Dec: +11 53 11.86 (11.88663d) Equinox: J2000		V=11	Reference Frame: ICRS
<i>Comments:</i> Category=GALAXY Description=[SPIRAL]						

Proposal 18103 - NGC4607 BB (35) - Anatomy of a fall: Dissecting the environment-driven transformation of late-type Virgo cluster ga...

Exposures	#	Label	Target	Config,Mode,Aperture	Spectral Els.	Opt. Params.	Special Reqs.	Groups	Exp. Time (Total)/[Actual Dur.]	Orbit
	1	F814W_OR BIT1	(35) NGC4607	WFC3/UVIS, ACCUM, UVIS-FIX	F814W	FLASH=15	POS TARG 0,0	Prime + Parallel Group 1-4 in NGC4607_BB (35)	200 Secs (200 Secs) [==>]	[1]
	2	F438W_OR BIT1	(35) NGC4607	WFC3/UVIS, ACCUM, UVIS-FIX	F438W	FLASH=17	POS TARG 0,0	Prime + Parallel Group 1-4 in NGC4607_BB (35)	348 Secs (348 Secs) [==>]	[1]
	3	F336W_OR BIT1	(35) NGC4607	WFC3/UVIS, ACCUM, UVIS-FIX	F336W	FLASH=20	POS TARG 0,0	Prime + Parallel Group 1-4 in NGC4607_BB (35)	348 Secs (348 Secs) [==>]	[1]
	4	F814W-PA R_ORBIT1	ANY	ACS/WFC, ACCUM, WFC	F814W			Prime + Parallel Group 1-4 in NGC4607_BB (35)	700 Secs (700 Secs) [==>]	[1]
	5	F275W_OR BIT1	(35) NGC4607	WFC3/UVIS, ACCUM, UVIS-FIX	F275W	FLASH=20	POS TARG 0,0	Prime + Parallel Group 5-7 in NGC4607_BB (35)	695 Secs (695 Secs) [==>]	[1]
	6	F555W_OR BIT1	(35) NGC4607	WFC3/UVIS, ACCUM, UVIS-FIX	F555W	FLASH=15	POS TARG 0,0	Prime + Parallel Group 5-7 in NGC4607_BB (35)	204 Secs (204 Secs) [==>]	[1]
	7	F606W-PA R_ORBIT1	ANY	ACS/WFC, ACCUM, WFC	F606W			Prime + Parallel Group 5-7 in NGC4607_BB (35)	700 Secs (700 Secs) [==>]	[1]
	8	F814W_OR BIT2	(35) NGC4607	WFC3/UVIS, ACCUM, UVIS-FIX	F814W	FLASH=15	POS TARG 0.172,1.803	Prime + Parallel Group 8-11 in NGC4607_BB (35)	260 Secs (260 Secs) [==>]	[2]
	9	F438W_OR BIT2	(35) NGC4607	WFC3/UVIS, ACCUM, UVIS-FIX	F438W	FLASH=17	POS TARG 0.172,1.803	Prime + Parallel Group 8-11 in NGC4607_BB (35)	348 Secs (348 Secs) [==>]	[2]
	10	F336W_OR BIT2	(35) NGC4607	WFC3/UVIS, ACCUM, UVIS-FIX	F336W	FLASH=20	POS TARG 0.172,1.803	Prime + Parallel Group 8-11 in NGC4607_BB (35)	300 Secs (300 Secs) [==>]	[2]
	11	F606W-PA R_ORBIT2	ANY	ACS/WFC, ACCUM, WFC	F606W			Prime + Parallel Group 8-11 in NGC4607_BB (35)	900 Secs (900 Secs) [==>]	[2]
	12	F275W_OR BIT2	(35) NGC4607	WFC3/UVIS, ACCUM, UVIS-FIX	F275W	FLASH=20	POS TARG 0.172,1.803	Prime + Parallel Group 12-14 in NGC4607_BB (35)	668 Secs (668 Secs) [==>]	[2]
	13	F555W_OR BIT2	(35) NGC4607	WFC3/UVIS, ACCUM, UVIS-FIX	F555W	FLASH=15	POS TARG 0.172,1.803	Prime + Parallel Group 12-14 in NGC4607_BB (35)	212 Secs (212 Secs) [==>]	[2]
	14	F814W-PA R_ORBIT2	ANY	ACS/WFC, ACCUM, WFC	F814W			Prime + Parallel Group 12-14 in NGC4607_BB (35)	700 Secs (700 Secs) [==>]	[2]
	15	F814W_OR BIT3	(35) NGC4607	WFC3/UVIS, ACCUM, UVIS-FIX	F814W	FLASH=15	POS TARG 0.343,3.606	Prime + Parallel Group 15-18 in NGC4607_BB (35)	227 Secs (227 Secs) [==>]	[3]
	16	F438W_OR BIT3	(35) NGC4607	WFC3/UVIS, ACCUM, UVIS-FIX	F438W	FLASH=17	POS TARG 0.343,3.606	Prime + Parallel Group 15-18 in NGC4607_BB (35)	348 Secs (348 Secs) [==>]	[3]
	17	F336W_OR BIT3	(35) NGC4607	WFC3/UVIS, ACCUM, UVIS-FIX	F336W	FLASH=20	POS TARG 0.343,3.606	Prime + Parallel Group 15-18 in NGC4607_BB (35)	348 Secs (348 Secs) [==>]	[3]
18	F814W-PA R_ORBIT3	ANY	ACS/WFC, ACCUM, WFC	F814W			Prime + Parallel Group 15-18 in NGC4607_BB (35)	900 Secs (900 Secs) [==>]	[3]	

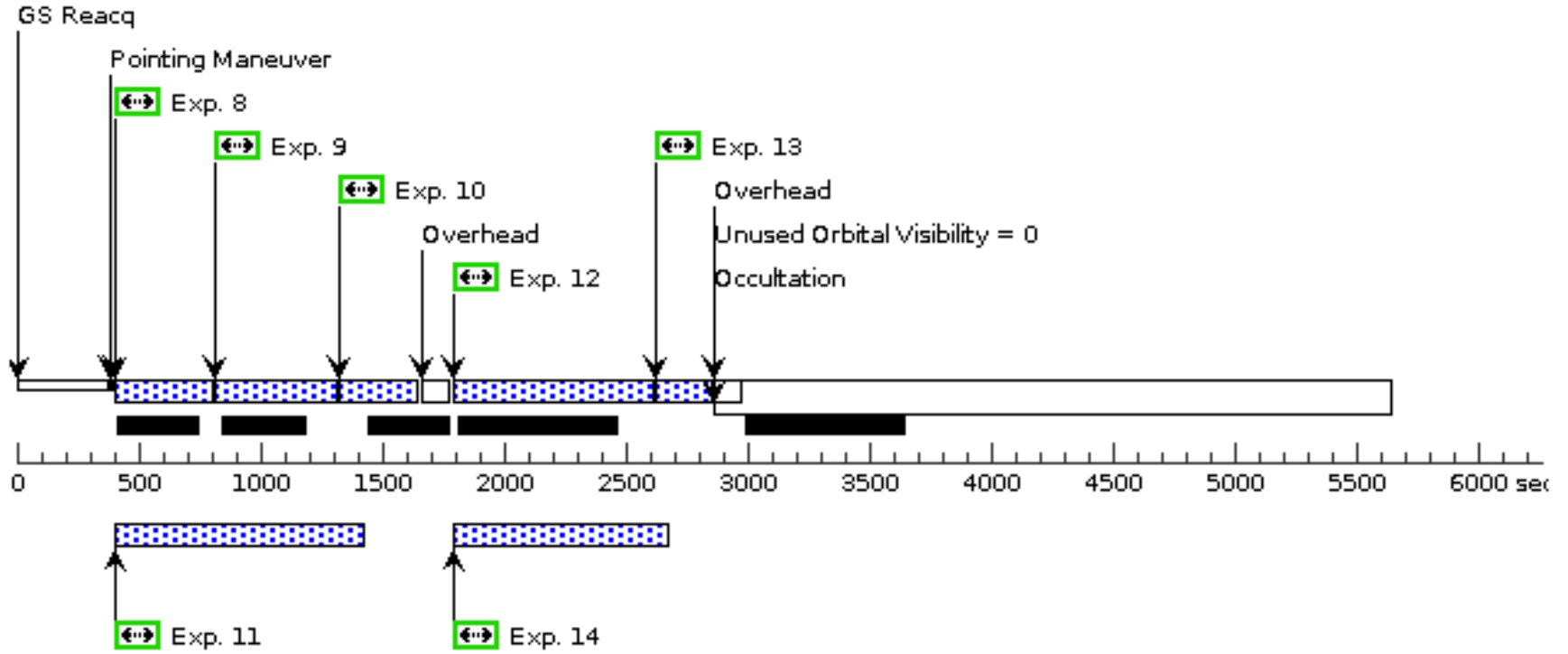
Proposal 18103 - NGC4607 BB (35) - Anatomy of a fall: Dissecting the environment-driven transformation of late-type Virgo cluster ga...

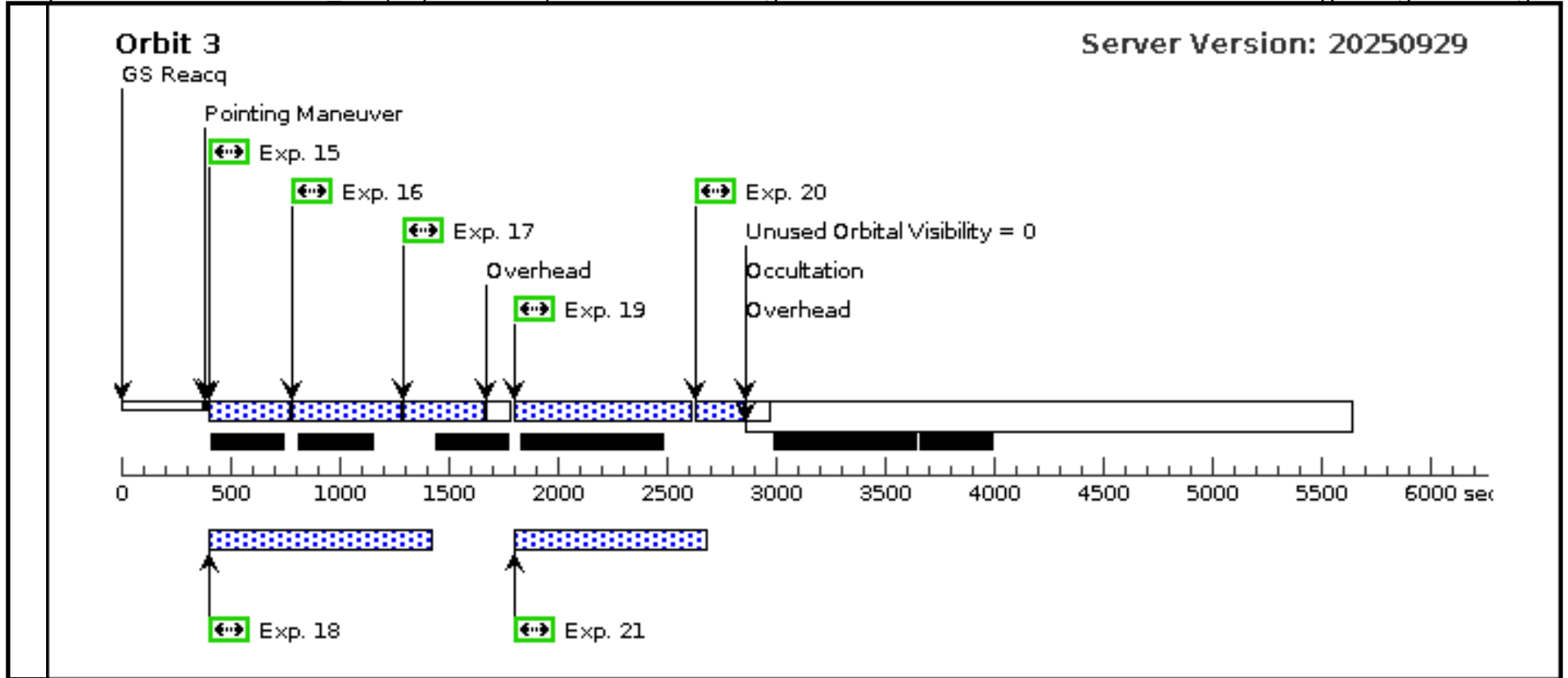
19	F275W_OR BIT3	(35) NGC4607	WFC3/UVIS, ACCUM, UVIS-FIX	F275W	FLASH=20	POS TARG 0.343,3. 606	Prime + Parallel Gro up 19-21 in NGC460 7_BB (35)	665 Secs (665 Secs) [==>]	[3]
20	F555W_OR BIT3	(35) NGC4607	WFC3/UVIS, ACCUM, UVIS-FIX	F555W	FLASH=15	POS TARG 0.343,3. 606	Prime + Parallel Gro up 19-21 in NGC460 7_BB (35)	200 Secs (200 Secs) [==>]	[3]
21	F606W-PA R_ORBIT3	ANY	ACS/WFC, ACCUM, WFC	F606W			Prime + Parallel Gro up 19-21 in NGC460 7_BB (35)	700 Secs (700 Secs) [==>]	[3]



Orbit 2

Server Version: 20250929





Proposal 18103 - NGC4654-JELLYFISHTAIL_BB (36) - Anatomy of a fall: Dissecting the environment-driven transformation of late-typ...

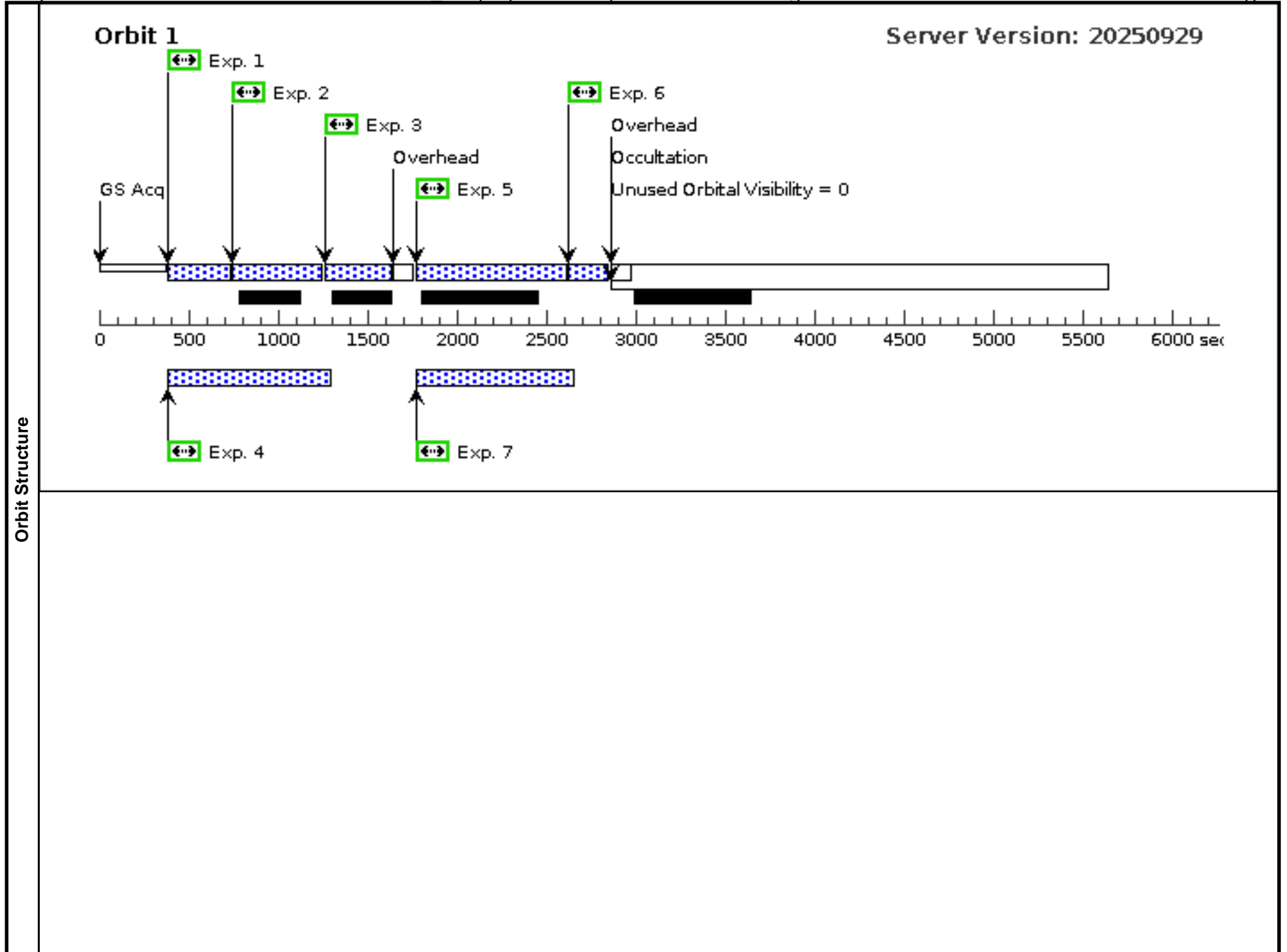
Visit	Proposal 18103, NGC4654-JELLYFISHTAIL_BB (36), scheduling Wed Feb 04 15:01:59 GMT 2026 Diagnostic Status: No Diagnostics Scientific Instruments: WFC3/UVIS, ACS/WFC Special Requirements: SCHED 100%; ORIENT 233D TO 238 D; GROUP 36,73 WITHIN 30D Comments: NUBVIHa					
	Fixed Targets	#	Name	Target Coordinates	Targ. Coord. Corrections	Fluxes
(36)		NGC4654-JELLYFISHTAIL	RA: 12 44 4.5115 (191.0187979d) Dec: +13 06 50.42 (13.11401d) Equinox: J2000		V=11	Reference Frame: ICRS
Comments: Category=GALAXY Description=[SPIRAL]						

Proposal 18103 - NGC4654-JELLYFISHTAIL_BB (36) - Anatomy of a fall: Dissecting the environment-driven transformation of late-ty...

#	Label	Target	Config,Mode,Aperture	Spectral Els.	Opt. Params.	Special Reqs.	Groups	Exp. Time (Total)/[Actual Dur.]	Orbit	
Exposures	1	F814W_OR BIT1	(36) NGC4654-JELL YFISHTAIL	WFC3/UVIS, ACCUM, UVIS-FIX	F814W	FLASH=15	POS TARG 0,0	Prime + Parallel Gro up 1-4 in NGC4654- JELLYFISHTAIL_B B (36)	200 Secs (200 Secs) [==>]	[1]
	2	F438W_OR BIT1	(36) NGC4654-JELL YFISHTAIL	WFC3/UVIS, ACCUM, UVIS-FIX	F438W	FLASH=17	POS TARG 0,0	Prime + Parallel Gro up 1-4 in NGC4654- JELLYFISHTAIL_B B (36)	348 Secs (348 Secs) [==>]	[1]
	3	F336W_OR BIT1	(36) NGC4654-JELL YFISHTAIL	WFC3/UVIS, ACCUM, UVIS-FIX	F336W	FLASH=20	POS TARG 0,0	Prime + Parallel Gro up 1-4 in NGC4654- JELLYFISHTAIL_B B (36)	348 Secs (348 Secs) [==>]	[1]
	4	F814W-PA R_ORBIT1	ANY	ACS/WFC, ACCUM, WFC	F814W			Prime + Parallel Gro up 1-4 in NGC4654- JELLYFISHTAIL_B B (36)	700 Secs (700 Secs) [==>]	[1]
	5	F275W_OR BIT1	(36) NGC4654-JELL YFISHTAIL	WFC3/UVIS, ACCUM, UVIS-FIX	F275W	FLASH=20	POS TARG 0,0	Prime + Parallel Gro up 5-7 in NGC4654- JELLYFISHTAIL_B B (36)	695 Secs (695 Secs) [==>]	[1]
	6	F555W_OR BIT1	(36) NGC4654-JELL YFISHTAIL	WFC3/UVIS, ACCUM, UVIS-FIX	F555W	FLASH=15	POS TARG 0,0	Prime + Parallel Gro up 5-7 in NGC4654- JELLYFISHTAIL_B B (36)	204 Secs (204 Secs) [==>]	[1]
	7	F606W-PA R_ORBIT1	ANY	ACS/WFC, ACCUM, WFC	F606W			Prime + Parallel Gro up 5-7 in NGC4654- JELLYFISHTAIL_B B (36)	700 Secs (700 Secs) [==>]	[1]
	8	F814W_OR BIT2	(36) NGC4654-JELL YFISHTAIL	WFC3/UVIS, ACCUM, UVIS-FIX	F814W	FLASH=15	POS TARG 0.172,1. 803	Prime + Parallel Gro up 8-11 in NGC4654- JELLYFISHTAIL_ _BB (36)	260 Secs (260 Secs) [==>]	[2]
	9	F438W_OR BIT2	(36) NGC4654-JELL YFISHTAIL	WFC3/UVIS, ACCUM, UVIS-FIX	F438W	FLASH=17	POS TARG 0.172,1. 803	Prime + Parallel Gro up 8-11 in NGC4654- JELLYFISHTAIL_ _BB (36)	348 Secs (348 Secs) [==>]	[2]
	10	F336W_OR BIT2	(36) NGC4654-JELL YFISHTAIL	WFC3/UVIS, ACCUM, UVIS-FIX	F336W	FLASH=20	POS TARG 0.172,1. 803	Prime + Parallel Gro up 8-11 in NGC4654- JELLYFISHTAIL_ _BB (36)	300 Secs (300 Secs) [==>]	[2]
	11	F606W-PA R_ORBIT2	ANY	ACS/WFC, ACCUM, WFC	F606W			Prime + Parallel Gro up 8-11 in NGC4654- JELLYFISHTAIL_ _BB (36)	900 Secs (900 Secs) [==>]	[2]
	12	F275W_OR BIT2	(36) NGC4654-JELL YFISHTAIL	WFC3/UVIS, ACCUM, UVIS-FIX	F275W	FLASH=20	POS TARG 0.172,1. 803	Prime + Parallel Gro up 12-14 in NGC465 4-JELLYFISHTAIL_ _BB (36)	668 Secs (668 Secs) [==>]	[2]
	13	F555W_OR BIT2	(36) NGC4654-JELL YFISHTAIL	WFC3/UVIS, ACCUM, UVIS-FIX	F555W	FLASH=15	POS TARG 0.172,1. 803	Prime + Parallel Gro up 12-14 in NGC465 4-JELLYFISHTAIL_ _BB (36)	212 Secs (212 Secs) [==>]	[2]
	14	F814W-PA R_ORBIT2	ANY	ACS/WFC, ACCUM, WFC	F814W			Prime + Parallel Gro up 12-14 in NGC465 4-JELLYFISHTAIL_ _BB (36)	700 Secs (700 Secs) [==>]	[2]

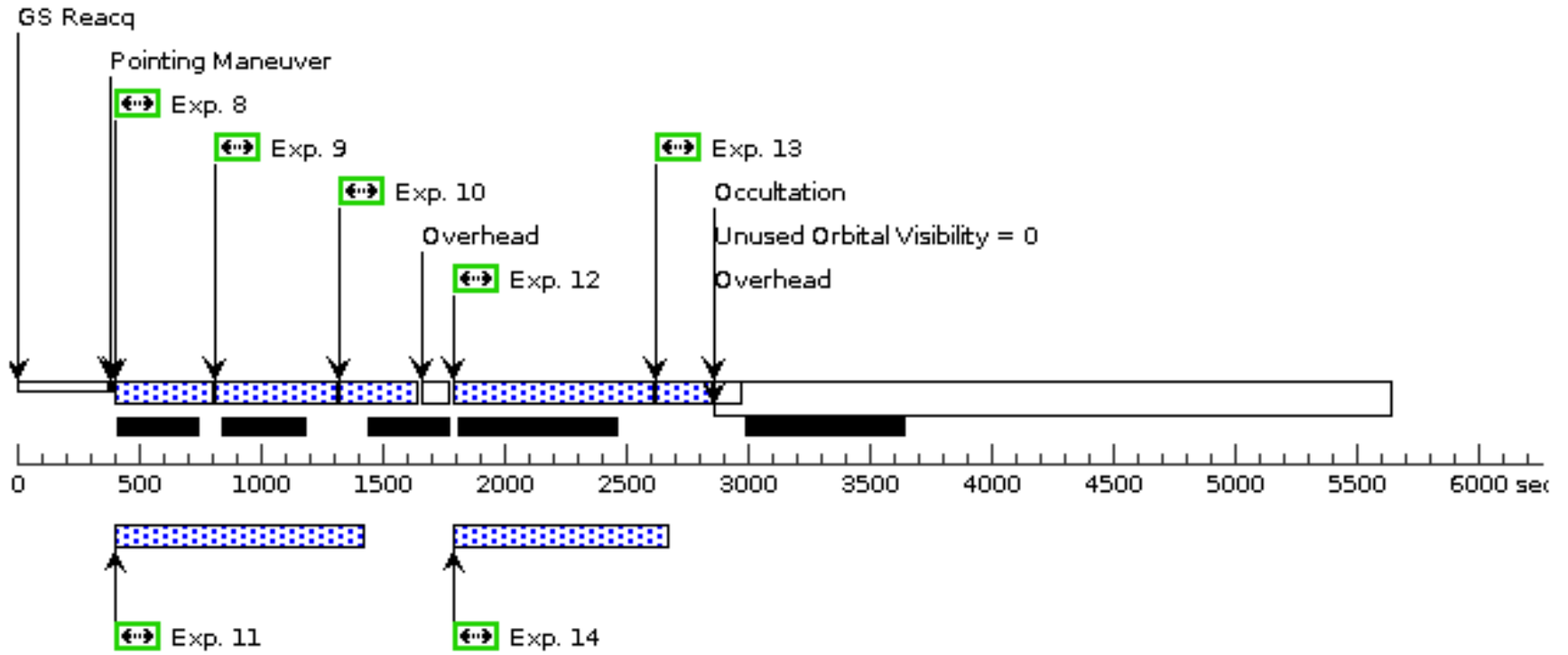
Proposal 18103 - NGC4654-JELLYFISHTAIL_BB (36) - Anatomy of a fall: Dissecting the environment-driven transformation of late-typ...

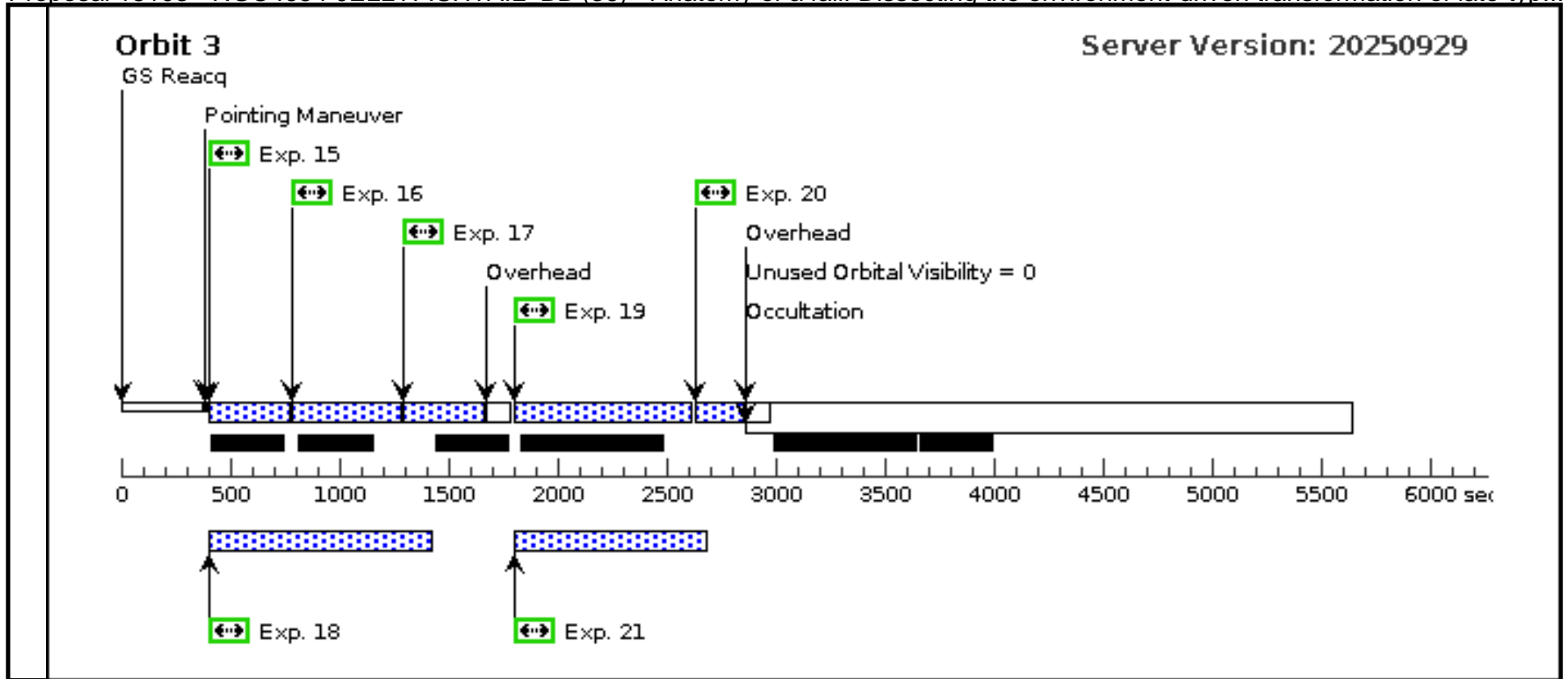
15	F814W_OR BIT3	(36) NGC4654-JELL YFISHTAIL	WFC3/UVIS, ACCUM, UVIS-FIX	F814W	FLASH=15	POS TARG 0.343,3. 606	Prime + Parallel Gro up 15-18 in NGC465 4-JELLYFISHTAIL _BB (36)	227 Secs (227 Secs) [==>]	[3]
16	F438W_OR BIT3	(36) NGC4654-JELL YFISHTAIL	WFC3/UVIS, ACCUM, UVIS-FIX	F438W	FLASH=17	POS TARG 0.343,3. 606	Prime + Parallel Gro up 15-18 in NGC465 4-JELLYFISHTAIL _BB (36)	348 Secs (348 Secs) [==>]	[3]
17	F336W_OR BIT3	(36) NGC4654-JELL YFISHTAIL	WFC3/UVIS, ACCUM, UVIS-FIX	F336W	FLASH=20	POS TARG 0.343,3. 606	Prime + Parallel Gro up 15-18 in NGC465 4-JELLYFISHTAIL _BB (36)	348 Secs (348 Secs) [==>]	[3]
18	F814W-PA R_ORBIT3	ANY	ACS/WFC, ACCUM, WFC	F814W			Prime + Parallel Gro up 15-18 in NGC465 4-JELLYFISHTAIL _BB (36)	900 Secs (900 Secs) [==>]	[3]
19	F275W_OR BIT3	(36) NGC4654-JELL YFISHTAIL	WFC3/UVIS, ACCUM, UVIS-FIX	F275W	FLASH=20	POS TARG 0.343,3. 606	Prime + Parallel Gro up 19-21 in NGC465 4-JELLYFISHTAIL _BB (36)	665 Secs (665 Secs) [==>]	[3]
20	F555W_OR BIT3	(36) NGC4654-JELL YFISHTAIL	WFC3/UVIS, ACCUM, UVIS-FIX	F555W	FLASH=15	POS TARG 0.343,3. 606	Prime + Parallel Gro up 19-21 in NGC465 4-JELLYFISHTAIL _BB (36)	200 Secs (200 Secs) [==>]	[3]
21	F606W-PA R_ORBIT3	ANY	ACS/WFC, ACCUM, WFC	F606W			Prime + Parallel Gro up 19-21 in NGC465 4-JELLYFISHTAIL _BB (36)	700 Secs (700 Secs) [==>]	[3]



Orbit 2

Server Version: 20250929





Proposal 18103 - NGC4698_BB (37) - Anatomy of a fall: Dissecting the environment-driven transformation of late-type Virgo cluster ga...

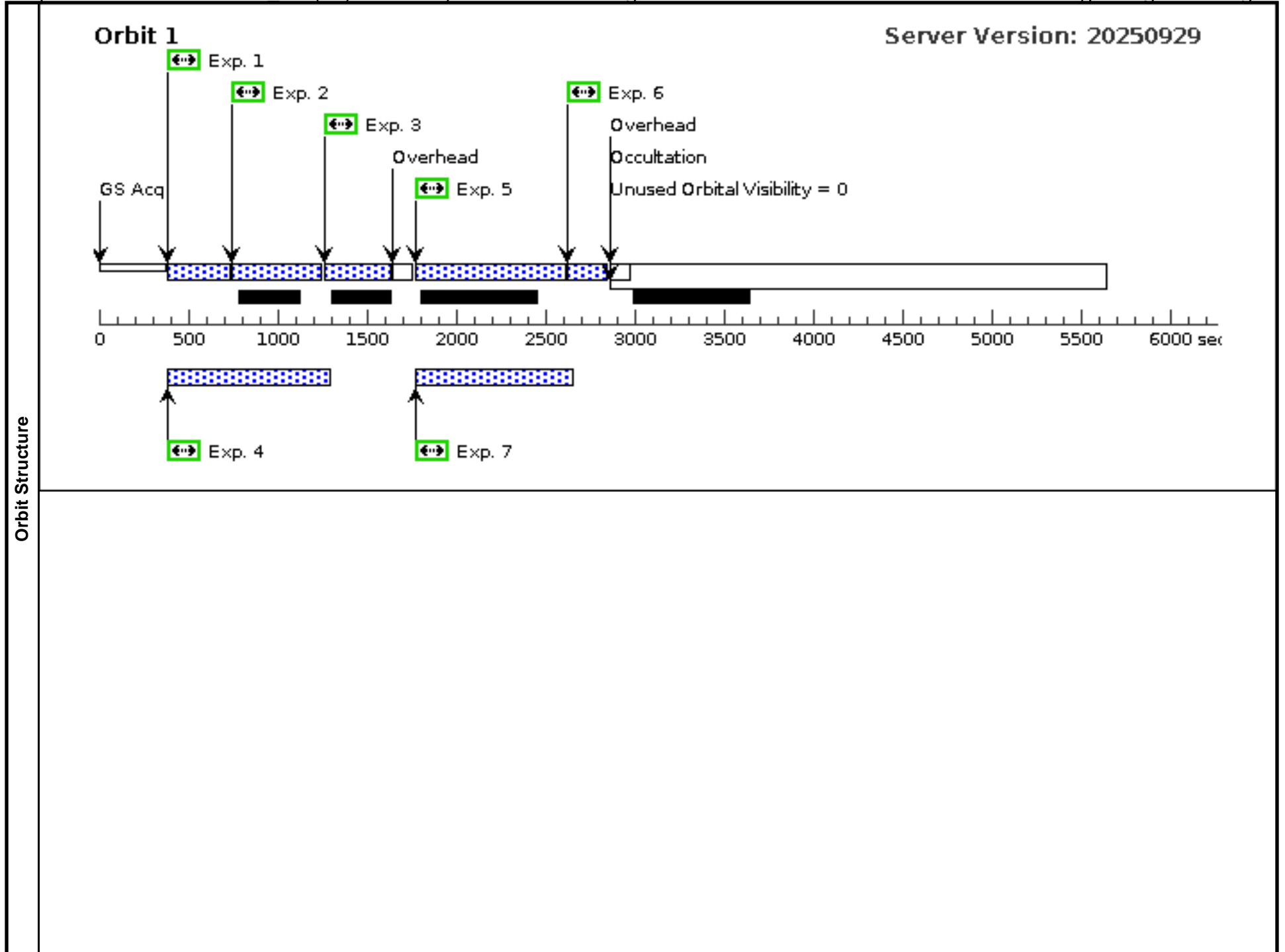
Visit	Proposal 18103, NGC4698_BB (37), scheduling Wed Feb 04 15:01:59 GMT 2026 Diagnostic Status: No Diagnostics Scientific Instruments: WFC3/UVIS, ACS/WFC Special Requirements: SCHED 100%; ORIENT 245D TO 259 D; GROUP 37,74 WITHIN 30D <i>Comments: NUBVIHa</i>					
	Fixed Targets	#	Name	Target Coordinates	Targ. Coord. Corrections	Fluxes
(37)		NGC4698	RA: 12 48 23.8547 (192.0993946d) Dec: +08 29 11.16 (8.48643d) Equinox: J2000		V=11	Reference Frame: ICRS
<i>Comments:</i> Category=GALAXY Description=[SPIRAL]						

Proposal 18103 - NGC4698 BB (37) - Anatomy of a fall: Dissecting the environment-driven transformation of late-type Virgo cluster ga...

Exposures	#	Label	Target	Config,Mode,Aperture	Spectral Els.	Opt. Params.	Special Reqs.	Groups	Exp. Time (Total)/[Actual Dur.]	Orbit
	1	F814W_OR BIT1	(37) NGC4698	WFC3/UVIS, ACCUM, UVIS-FIX	F814W	FLASH=15	POS TARG 0,0	Prime + Parallel Gro up 1-4 in NGC4698_ BB (37)	200 Secs (200 Secs) [==>]	[1]
	2	F438W_OR BIT1	(37) NGC4698	WFC3/UVIS, ACCUM, UVIS-FIX	F438W	FLASH=17	POS TARG 0,0	Prime + Parallel Gro up 1-4 in NGC4698_ BB (37)	348 Secs (348 Secs) [==>]	[1]
	3	F336W_OR BIT1	(37) NGC4698	WFC3/UVIS, ACCUM, UVIS-FIX	F336W	FLASH=20	POS TARG 0,0	Prime + Parallel Gro up 1-4 in NGC4698_ BB (37)	348 Secs (348 Secs) [==>]	[1]
	4	F814W-PA R_ORBIT1	ANY	ACS/WFC, ACCUM, WFC	F814W			Prime + Parallel Gro up 1-4 in NGC4698_ BB (37)	700 Secs (700 Secs) [==>]	[1]
	5	F275W_OR BIT1	(37) NGC4698	WFC3/UVIS, ACCUM, UVIS-FIX	F275W	FLASH=20	POS TARG 0,0	Prime + Parallel Gro up 5-7 in NGC4698_ BB (37)	695 Secs (695 Secs) [==>]	[1]
	6	F555W_OR BIT1	(37) NGC4698	WFC3/UVIS, ACCUM, UVIS-FIX	F555W	FLASH=15	POS TARG 0,0	Prime + Parallel Gro up 5-7 in NGC4698_ BB (37)	204 Secs (204 Secs) [==>]	[1]
	7	F606W-PA R_ORBIT1	ANY	ACS/WFC, ACCUM, WFC	F606W			Prime + Parallel Gro up 5-7 in NGC4698_ BB (37)	700 Secs (700 Secs) [==>]	[1]
	8	F814W_OR BIT2	(37) NGC4698	WFC3/UVIS, ACCUM, UVIS-FIX	F814W	FLASH=15	POS TARG 0.172,1. 803	Prime + Parallel Gro up 8-11 in NGC4698_ BB (37)	260 Secs (260 Secs) [==>]	[2]
	9	F438W_OR BIT2	(37) NGC4698	WFC3/UVIS, ACCUM, UVIS-FIX	F438W	FLASH=17	POS TARG 0.172,1. 803	Prime + Parallel Gro up 8-11 in NGC4698_ BB (37)	348 Secs (348 Secs) [==>]	[2]
	10	F336W_OR BIT2	(37) NGC4698	WFC3/UVIS, ACCUM, UVIS-FIX	F336W	FLASH=20	POS TARG 0.172,1. 803	Prime + Parallel Gro up 8-11 in NGC4698_ BB (37)	300 Secs (300 Secs) [==>]	[2]
	11	F606W-PA R_ORBIT2	ANY	ACS/WFC, ACCUM, WFC	F606W			Prime + Parallel Gro up 8-11 in NGC4698_ BB (37)	900 Secs (900 Secs) [==>]	[2]
	12	F275W_OR BIT2	(37) NGC4698	WFC3/UVIS, ACCUM, UVIS-FIX	F275W	FLASH=20	POS TARG 0.172,1. 803	Prime + Parallel Gro up 12-14 in NGC469 8_BB (37)	668 Secs (668 Secs) [==>]	[2]
	13	F555W_OR BIT2	(37) NGC4698	WFC3/UVIS, ACCUM, UVIS-FIX	F555W	FLASH=15	POS TARG 0.172,1. 803	Prime + Parallel Gro up 12-14 in NGC469 8_BB (37)	212 Secs (212 Secs) [==>]	[2]
	14	F814W-PA R_ORBIT2	ANY	ACS/WFC, ACCUM, WFC	F814W			Prime + Parallel Gro up 12-14 in NGC469 8_BB (37)	700 Secs (700 Secs) [==>]	[2]
	15	F814W_OR BIT3	(37) NGC4698	WFC3/UVIS, ACCUM, UVIS-FIX	F814W	FLASH=15	POS TARG 0.343,3. 606	Prime + Parallel Gro up 15-18 in NGC469 8_BB (37)	227 Secs (227 Secs) [==>]	[3]
	16	F438W_OR BIT3	(37) NGC4698	WFC3/UVIS, ACCUM, UVIS-FIX	F438W	FLASH=17	POS TARG 0.343,3. 606	Prime + Parallel Gro up 15-18 in NGC469 8_BB (37)	348 Secs (348 Secs) [==>]	[3]
	17	F336W_OR BIT3	(37) NGC4698	WFC3/UVIS, ACCUM, UVIS-FIX	F336W	FLASH=20	POS TARG 0.343,3. 606	Prime + Parallel Gro up 15-18 in NGC469 8_BB (37)	348 Secs (348 Secs) [==>]	[3]
18	F814W-PA R_ORBIT3	ANY	ACS/WFC, ACCUM, WFC	F814W			Prime + Parallel Gro up 15-18 in NGC469 8_BB (37)	900 Secs (900 Secs) [==>]	[3]	

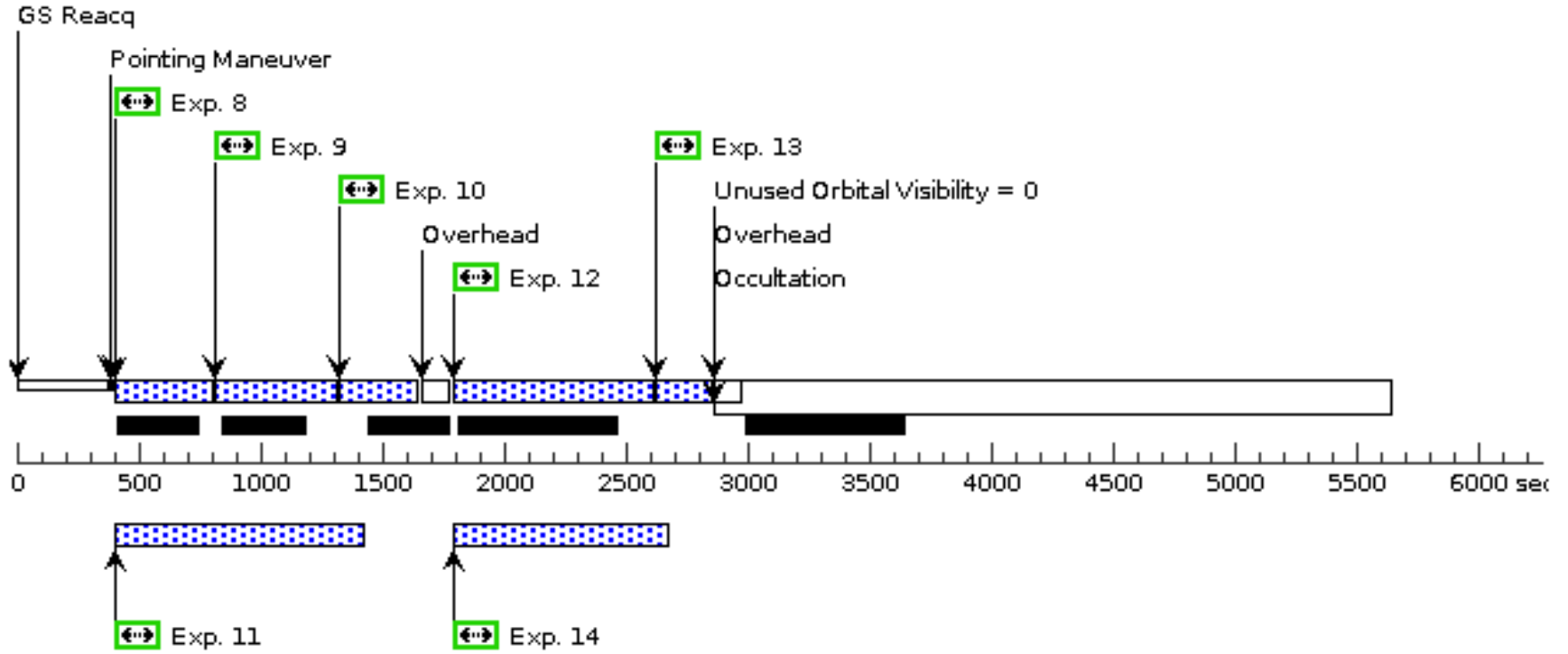
Proposal 18103 - NGC4698 BB (37) - Anatomy of a fall: Dissecting the environment-driven transformation of late-type Virgo cluster ga...

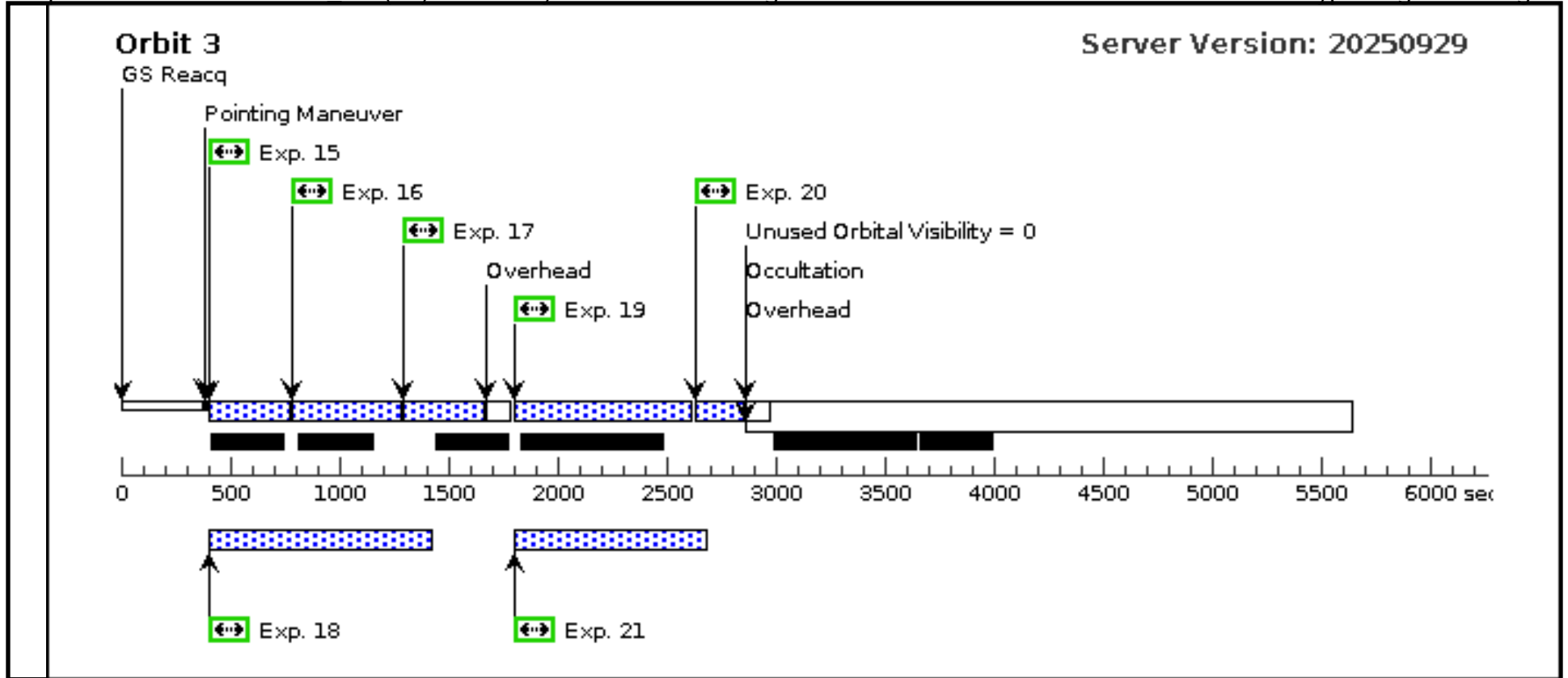
19	F275W_OR BIT3	(37) NGC4698	WFC3/UVIS, ACCUM, UVIS-FIX	F275W	FLASH=20	POS TARG 0.343,3. 606	Prime + Parallel Gro up 19-21 in NGC469 8_BB (37)	665 Secs (665 Secs) [==>]	[3]
20	F555W_OR BIT3	(37) NGC4698	WFC3/UVIS, ACCUM, UVIS-FIX	F555W	FLASH=15	POS TARG 0.343,3. 606	Prime + Parallel Gro up 19-21 in NGC469 8_BB (37)	200 Secs (200 Secs) [==>]	[3]
21	F606W-PA R_ORBIT3	ANY	ACS/WFC, ACCUM, WFC	F606W			Prime + Parallel Gro up 19-21 in NGC469 8_BB (37)	700 Secs (700 Secs) [==>]	[3]



Orbit 2

Server Version: 20250929

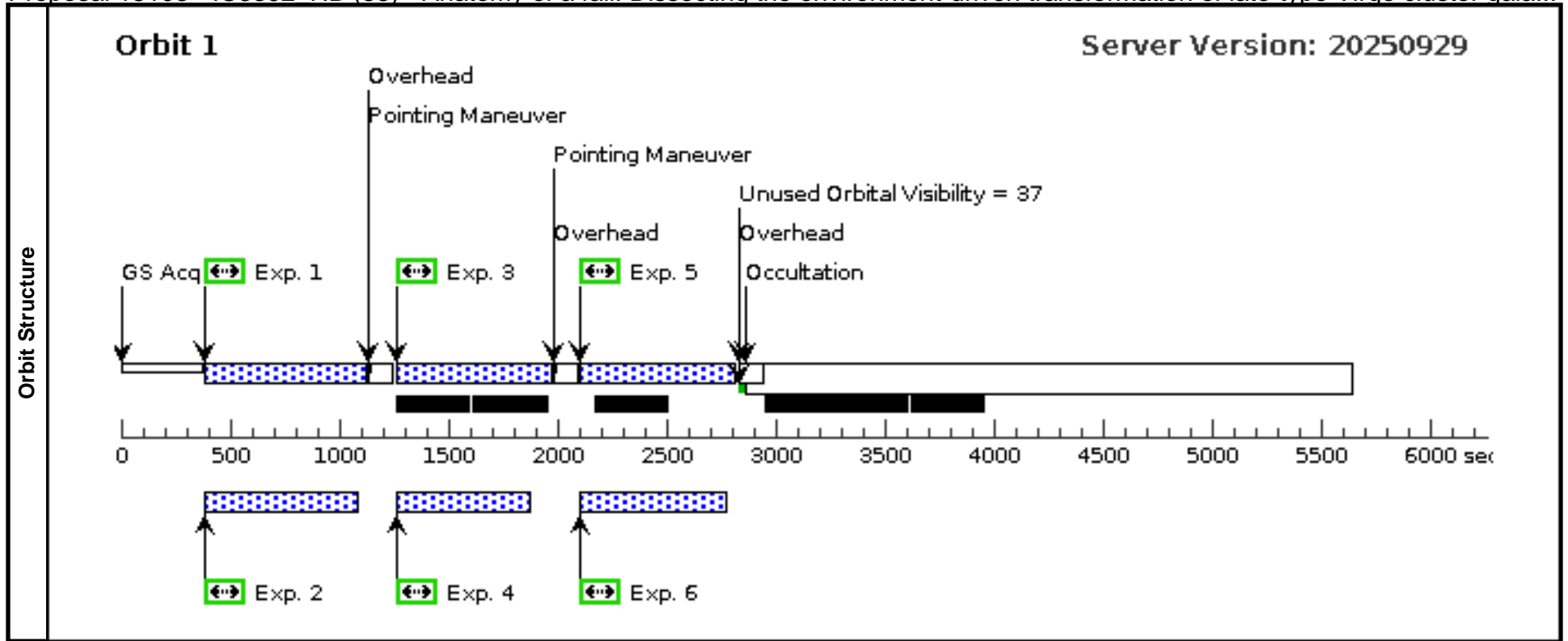




Proposal 18103 - IC3392 NB (38) - Anatomy of a fall: Dissecting the environment-driven transformation of late-type Virgo cluster gala...

Wed Feb 04 15:01:59 GMT 2026

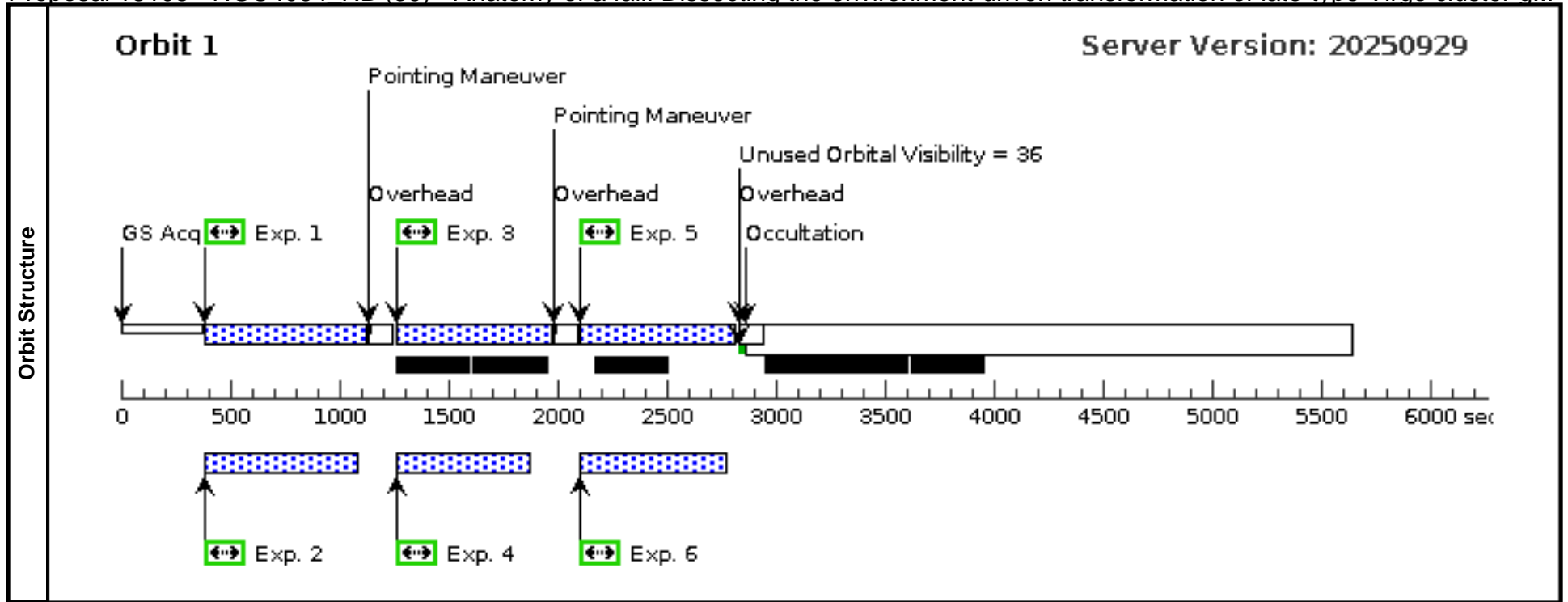
Visit	Proposal 18103, IC3392_NB (38), scheduling Diagnostic Status: No Diagnostics Scientific Instruments: WFC3/UVIS, ACS/WFC Special Requirements: SCHED 100%; SAME ORIENT AS 01									
	Fixed Targets	#	Name	Target Coordinates	Targ. Coord. Corrections	Fluxes	Miscellaneous			
	(1)	IC3392	RA: 12 28 43.2764 (187.1803183d) Dec: +14 59 57.96 (14.99943d) Equinox: J2000		V=11	Reference Frame: ICRS				
	Comments: Category=GALAXY Description=[SPIRAL]									
Exposures	#	Label	Target	Config,Mode,Aperture	Spectral Els.	Opt. Params.	Special Reqs.	Groups	Exp. Time (Total)/[Actual Dur.]	Orbit
	1	F657N	(1) IC3392	WFC3/UVIS, ACCUM, UVIS-FIX	F657N	FLASH=18	POS TARG 0,0	Prime + Parallel Group 1-2 in IC3392_NB (38)	710 Secs (710 Secs) [==>]	[1]
	2	F814W-PA R	ANY	ACS/WFC, ACCUM, WFC	F814W			Prime + Parallel Group 1-2 in IC3392_NB (38)	490 Secs (490 Secs) [==>]	[1]
	3	F657N	(1) IC3392	WFC3/UVIS, ACCUM, UVIS-FIX	F657N	FLASH=18	POS TARG 0.172,1.803	Prime + Parallel Group 3-4 in IC3392_NB (38)	710 Secs (710 Secs) [==>]	[1]
	4	F814W-PA R	ANY	ACS/WFC, ACCUM, WFC	F814W			Prime + Parallel Group 3-4 in IC3392_NB (38)	490 Secs (490 Secs) [==>]	[1]
	5	F657N	(1) IC3392	WFC3/UVIS, ACCUM, UVIS-FIX	F657N	FLASH=18	POS TARG 0.343,3.606	Prime + Parallel Group 5-6 in IC3392_NB (38)	710 Secs (710 Secs) [==>]	[1]
	6	F606W-PA R	ANY	ACS/WFC, ACCUM, WFC	F606W			Prime + Parallel Group 5-6 in IC3392_NB (38)	490 Secs (490 Secs) [==>]	[1]



Proposal 18103 - NGC4064 NB (39) - Anatomy of a fall: Dissecting the environment-driven transformation of late-type Virgo cluster g...

Wed Feb 04 15:01:59 GMT 2026

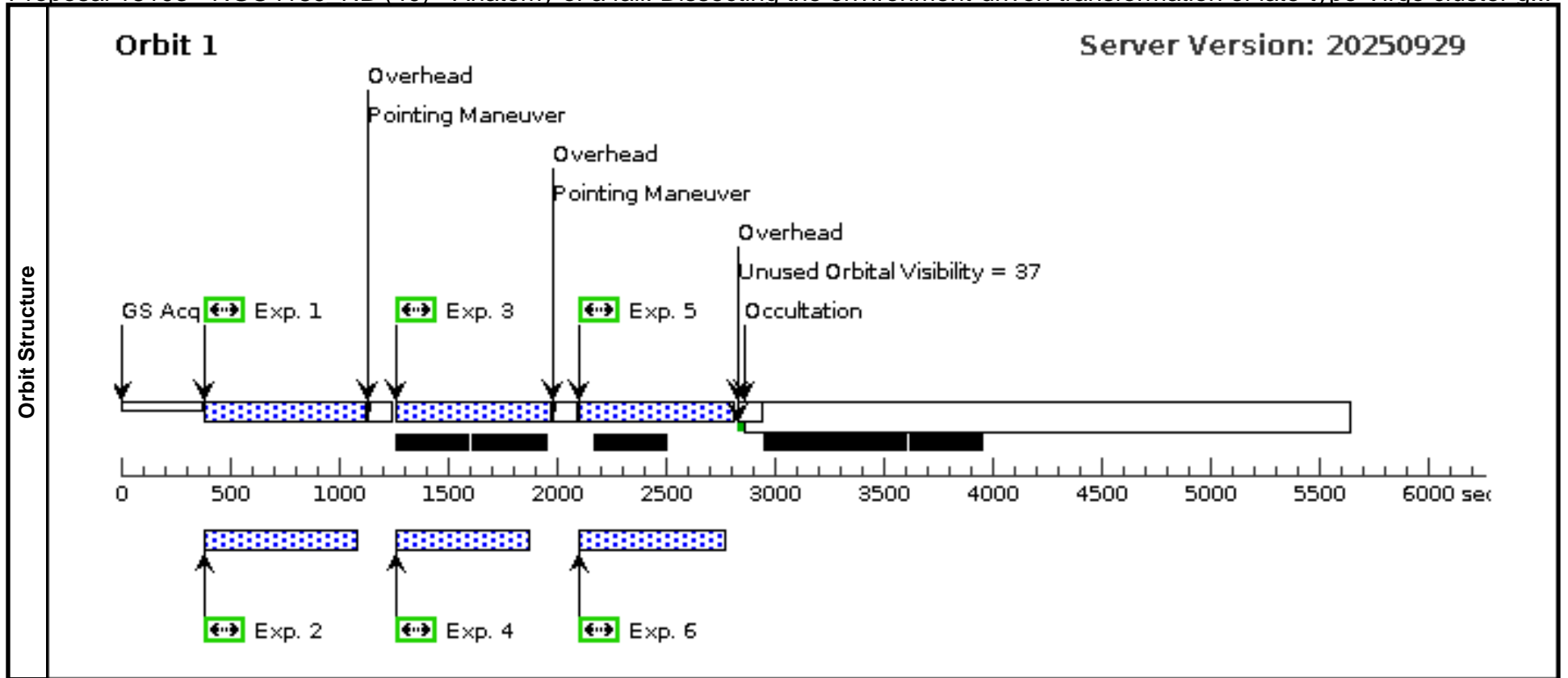
Visit	Proposal 18103, NGC4064_NB (39), scheduling Diagnostic Status: No Diagnostics Scientific Instruments: WFC3/UVIS, ACS/WFC Special Requirements: SCHED 100%; SAME ORIENT AS 02									
	Fixed Targets	#	Name	Target Coordinates	Targ. Coord. Corrections	Fluxes	Miscellaneous			
	(2)	NGC4064	RA: 12 04 11.1910 (181.0466292d) Dec: +18 26 36.42 (18.44345d) Equinox: J2000		V=11	Reference Frame: ICRS				
	<i>Comments:</i> Category=GALAXY Description=[SPIRAL]									
Exposures	#	Label	Target	Config,Mode,Aperture	Spectral Els.	Opt. Params.	Special Reqs.	Groups	Exp. Time (Total)/[Actual Dur.]	Orbit
	1	F658N	(2) NGC4064	WFC3/UVIS, ACCUM, UVIS-FIX	F658N	FLASH=18	POS TARG 0,0	Prime + Parallel Group 1-2 in NGC4064_NB (39)	710 Secs (710 Secs) [==>]	[1]
	2	F814W-PA R	ANY	ACS/WFC, ACCUM, WFC	F814W			Prime + Parallel Group 1-2 in NGC4064_NB (39)	490 Secs (490 Secs) [==>]	[1]
	3	F658N	(2) NGC4064	WFC3/UVIS, ACCUM, UVIS-FIX	F658N	FLASH=18	POS TARG 0.172,1.803	Prime + Parallel Group 3-4 in NGC4064_NB (39)	710 Secs (710 Secs) [==>]	[1]
	4	F814W-PA R	ANY	ACS/WFC, ACCUM, WFC	F814W			Prime + Parallel Group 3-4 in NGC4064_NB (39)	490 Secs (490 Secs) [==>]	[1]
	5	F658N	(2) NGC4064	WFC3/UVIS, ACCUM, UVIS-FIX	F658N	FLASH=18	POS TARG 0.343,3.606	Prime + Parallel Group 5-6 in NGC4064_NB (39)	710 Secs (710 Secs) [==>]	[1]
	6	F606W-PA R	ANY	ACS/WFC, ACCUM, WFC	F606W			Prime + Parallel Group 5-6 in NGC4064_NB (39)	490 Secs (490 Secs) [==>]	[1]



Proposal 18103 - NGC4189_NB (40) - Anatomy of a fall: Dissecting the environment-driven transformation of late-type Virgo cluster g...

Wed Feb 04 15:01:59 GMT 2026

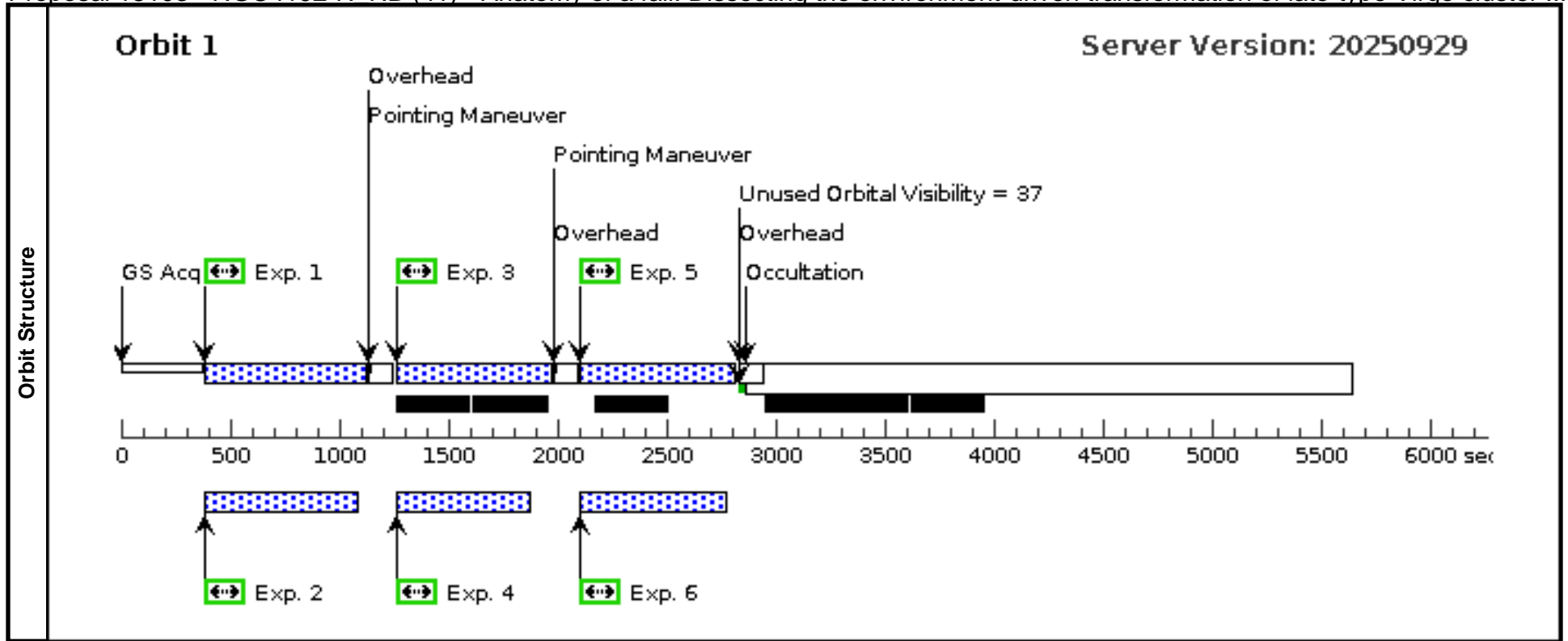
Visit	Proposal 18103, NGC4189_NB (40), scheduling Diagnostic Status: No Diagnostics Scientific Instruments: WFC3/UVIS, ACS/WFC Special Requirements: SCHED 100%; SAME ORIENT AS 03									
	Fixed Targets	#	Name	Target Coordinates	Targ. Coord. Corrections	Fluxes	Miscellaneous			
	(3)	NGC4189	RA: 12 13 47.2380 (183.4468250d) Dec: +13 25 39.68 (13.42769d) Equinox: J2000		V=11	Reference Frame: ICRS				
	<i>Comments:</i> Category=GALAXY Description=[SPIRAL]									
Exposures	#	Label	Target	Config,Mode,Aperture	Spectral Els.	Opt. Params.	Special Reqs.	Groups	Exp. Time (Total)/[Actual Dur.]	Orbit
	1	F657N	(3) NGC4189	WFC3/UVIS, ACCUM, UVIS-FIX	F657N	FLASH=18	POS TARG 0,0	Prime + Parallel Group 1-2 in NGC4189_NB (40)	710 Secs (710 Secs) [==>]	[1]
	2	F814W-PA R	ANY	ACS/WFC, ACCUM, WFC	F814W			Prime + Parallel Group 1-2 in NGC4189_NB (40)	490 Secs (490 Secs) [==>]	[1]
	3	F657N	(3) NGC4189	WFC3/UVIS, ACCUM, UVIS-FIX	F657N	FLASH=18	POS TARG 0.172,1.803	Prime + Parallel Group 3-4 in NGC4189_NB (40)	710 Secs (710 Secs) [==>]	[1]
	4	F814W-PA R	ANY	ACS/WFC, ACCUM, WFC	F814W			Prime + Parallel Group 3-4 in NGC4189_NB (40)	490 Secs (490 Secs) [==>]	[1]
	5	F657N	(3) NGC4189	WFC3/UVIS, ACCUM, UVIS-FIX	F657N	FLASH=18	POS TARG 0.343,3.606	Prime + Parallel Group 5-6 in NGC4189_NB (40)	710 Secs (710 Secs) [==>]	[1]
	6	F606W-PA R	ANY	ACS/WFC, ACCUM, WFC	F606W			Prime + Parallel Group 5-6 in NGC4189_NB (40)	490 Secs (490 Secs) [==>]	[1]



Proposal 18103 - NGC4192-N_NB (41) - Anatomy of a fall: Dissecting the environment-driven transformation of late-type Virgo cluster ...

Wed Feb 04 15:01:59 GMT 2026

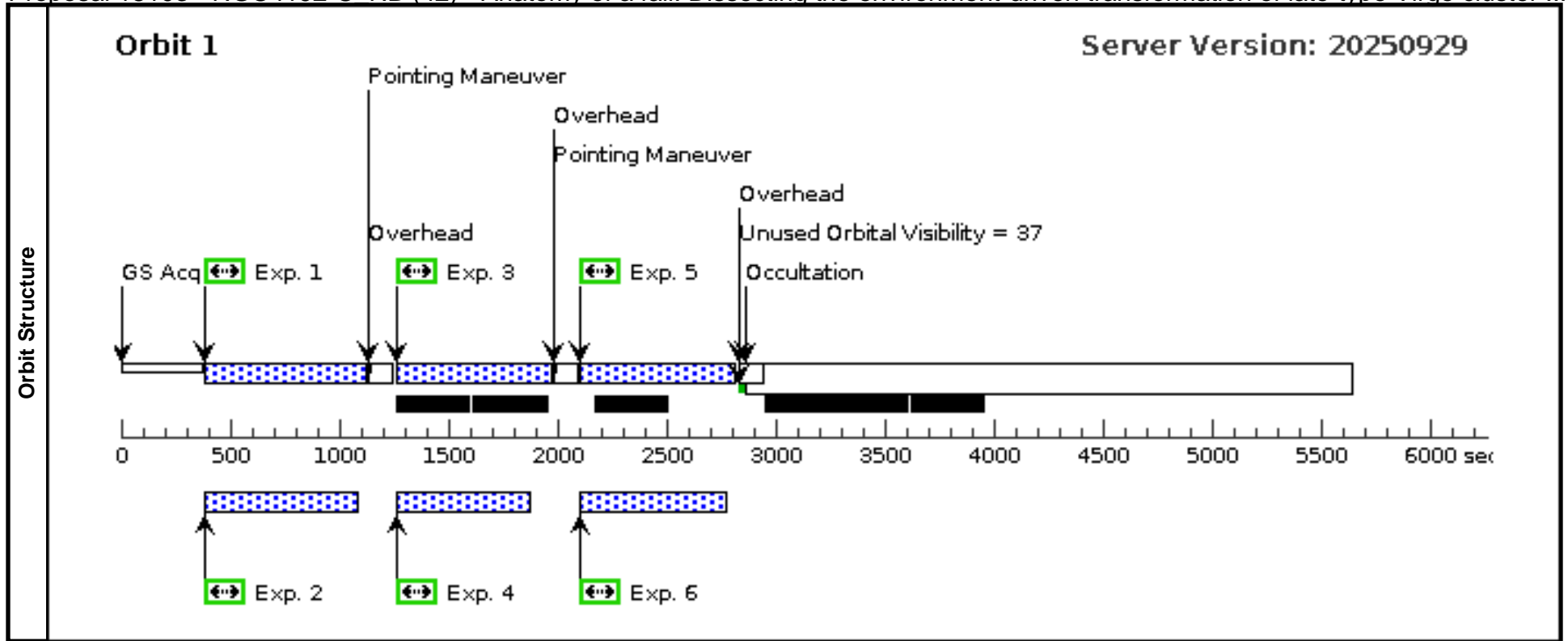
Visit	Proposal 18103, NGC4192-N_NB (41), scheduling Diagnostic Status: No Diagnostics Scientific Instruments: WFC3/UVIS, ACS/WFC Special Requirements: SCHED 100%; SAME ORIENT AS 04									
	Fixed Targets	#	Name	Target Coordinates	Targ. Coord. Corrections	Fluxes	Miscellaneous			
	(4)	NGC4192-N	RA: 12 13 43.6924 (183.4320517d) Dec: +14 56 8.96 (14.93582d) Equinox: J2000		V=11	Reference Frame: ICRS				
	<i>Comments:</i> Category=GALAXY Description=[SPIRAL]									
Exposures	#	Label	Target	Config,Mode,Aperture	Spectral Els.	Opt. Params.	Special Reqs.	Groups	Exp. Time (Total)/[Actual Dur.]	Orbit
	1	F656N	(4) NGC4192-N	WFC3/UVIS, ACCUM, UVIS-FIX	F656N	FLASH=18	POS TARG 0,0	Prime + Parallel Group 1-2 in NGC4192-N_NB (41)	710 Secs (710 Secs) [==>]	[1]
	2	F814W-PA R	ANY	ACS/WFC, ACCUM, WFC	F814W			Prime + Parallel Group 1-2 in NGC4192-N_NB (41)	490 Secs (490 Secs) [==>]	[1]
	3	F656N	(4) NGC4192-N	WFC3/UVIS, ACCUM, UVIS-FIX	F656N	FLASH=18	POS TARG 0.172,1.803	Prime + Parallel Group 3-4 in NGC4192-N_NB (41)	710 Secs (710 Secs) [==>]	[1]
	4	F814W-PA R	ANY	ACS/WFC, ACCUM, WFC	F814W			Prime + Parallel Group 3-4 in NGC4192-N_NB (41)	490 Secs (490 Secs) [==>]	[1]
	5	F656N	(4) NGC4192-N	WFC3/UVIS, ACCUM, UVIS-FIX	F656N	FLASH=18	POS TARG 0.343,3.606	Prime + Parallel Group 5-6 in NGC4192-N_NB (41)	710 Secs (710 Secs) [==>]	[1]
	6	F606W-PA R	ANY	ACS/WFC, ACCUM, WFC	F606W			Prime + Parallel Group 5-6 in NGC4192-N_NB (41)	490 Secs (490 Secs) [==>]	[1]



Proposal 18103 - NGC4192-C NB (42) - Anatomy of a fall: Dissecting the environment-driven transformation of late-type Virgo cluster ...

Wed Feb 04 15:01:59 GMT 2026

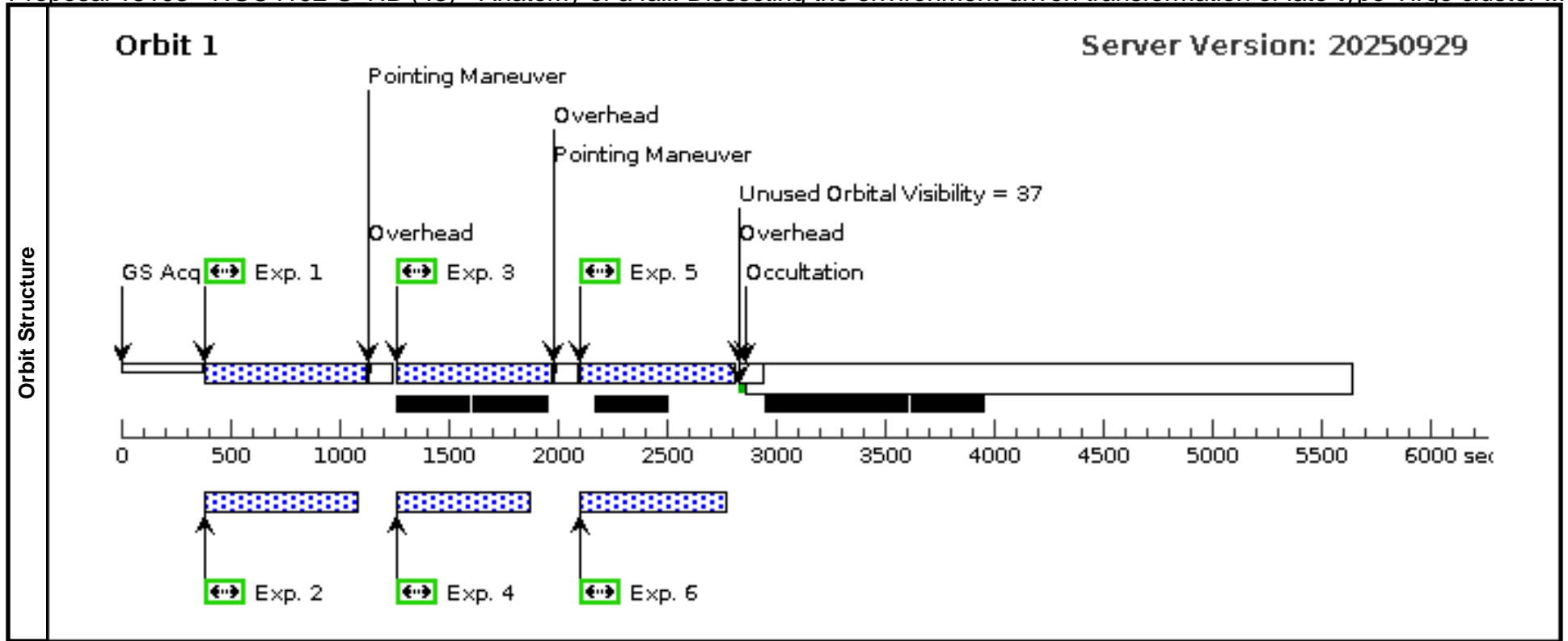
Visit	Proposal 18103, NGC4192-C_NB (42), scheduling Diagnostic Status: No Diagnostics Scientific Instruments: WFC3/UVIS, ACS/WFC Special Requirements: SCHED 100%; SAME ORIENT AS 05									
	Fixed Targets	#	Name	Target Coordinates	Targ. Coord. Corrections	Fluxes	Miscellaneous			
	(5)	NGC4192-C	RA: 12 13 49.2563 (183.4552346d) Dec: +14 53 44.06 (14.89557d) Equinox: J2000		V=11	Reference Frame: ICRS				
	<i>Comments:</i> Category=GALAXY Description=[SPIRAL]									
Exposures	#	Label	Target	Config,Mode,Aperture	Spectral Els.	Opt. Params.	Special Reqs.	Groups	Exp. Time (Total)/[Actual Dur.]	Orbit
	1	F656N	(5) NGC4192-C	WFC3/UVIS, ACCUM, UVIS-FIX	F656N	FLASH=18	POS TARG 0,0	Prime + Parallel Group 1-2 in NGC4192-C_NB (42)	710 Secs (710 Secs) [==>]	[1]
	2	F814W-PA R	ANY	ACS/WFC, ACCUM, WFC	F814W			Prime + Parallel Group 1-2 in NGC4192-C_NB (42)	490 Secs (490 Secs) [==>]	[1]
	3	F656N	(5) NGC4192-C	WFC3/UVIS, ACCUM, UVIS-FIX	F656N	FLASH=18	POS TARG 0.172,1.803	Prime + Parallel Group 3-4 in NGC4192-C_NB (42)	710 Secs (710 Secs) [==>]	[1]
	4	F814W-PA R	ANY	ACS/WFC, ACCUM, WFC	F814W			Prime + Parallel Group 3-4 in NGC4192-C_NB (42)	490 Secs (490 Secs) [==>]	[1]
	5	F656N	(5) NGC4192-C	WFC3/UVIS, ACCUM, UVIS-FIX	F656N	FLASH=18	POS TARG 0.343,3.606	Prime + Parallel Group 5-6 in NGC4192-C_NB (42)	710 Secs (710 Secs) [==>]	[1]
	6	F606W-PA R	ANY	ACS/WFC, ACCUM, WFC	F606W			Prime + Parallel Group 5-6 in NGC4192-C_NB (42)	490 Secs (490 Secs) [==>]	[1]



Proposal 18103 - NGC4192-S NB (43) - Anatomy of a fall: Dissecting the environment-driven transformation of late-type Virgo cluster ...

Wed Feb 04 15:01:59 GMT 2026

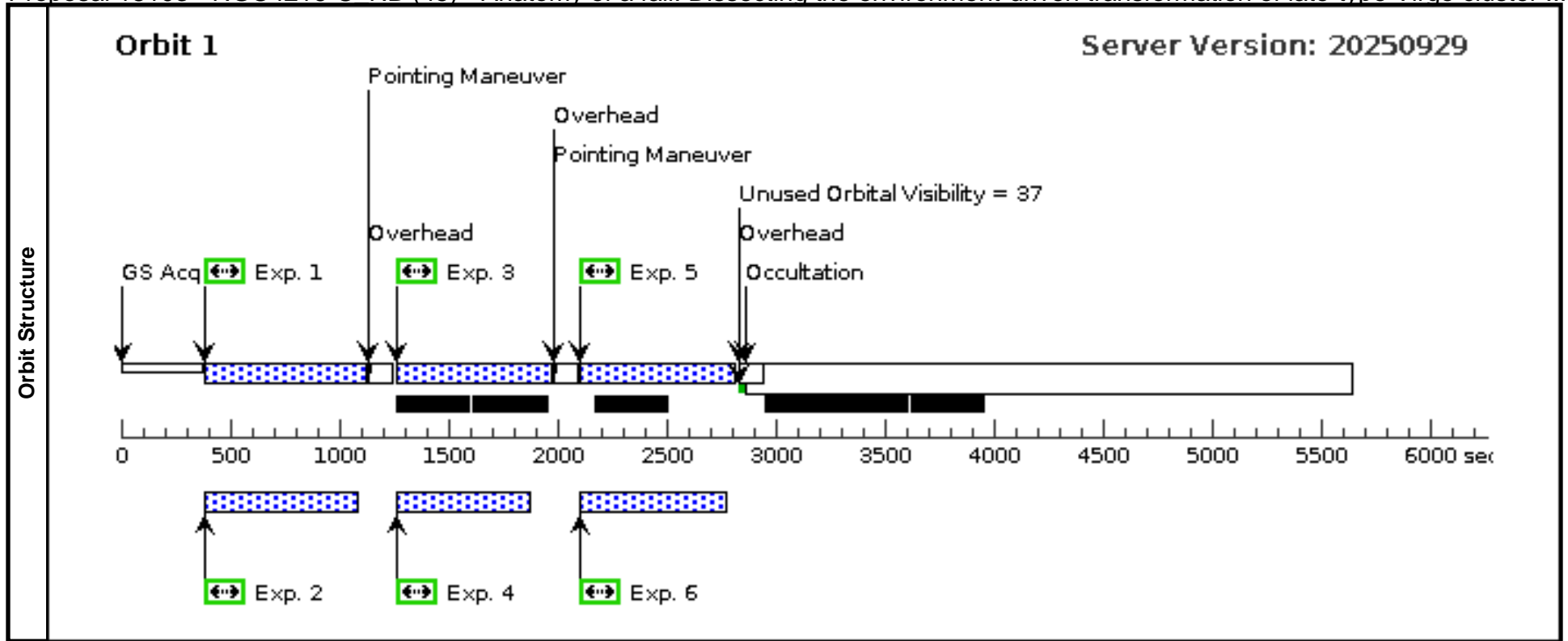
Visit	Proposal 18103, NGC4192-S_NB (43), scheduling Diagnostic Status: No Diagnostics Scientific Instruments: WFC3/UVIS, ACS/WFC Special Requirements: SCHED 100%; SAME ORIENT AS 06									
	Fixed Targets	#	Name	Target Coordinates	Targ. Coord. Corrections	Fluxes	Miscellaneous			
	(6)	NGC4192-S	RA: 12 13 53.5950 (183.4733125d) Dec: +14 51 23.68 (14.85658d) Equinox: J2000		V=11	Reference Frame: ICRS				
	<i>Comments:</i> Category=GALAXY Description=[SPIRAL]									
Exposures	#	Label	Target	Config,Mode,Aperture	Spectral Els.	Opt. Params.	Special Reqs.	Groups	Exp. Time (Total)/[Actual Dur.]	Orbit
	1	F656N	(6) NGC4192-S	WFC3/UVIS, ACCUM, UVIS-FIX	F656N	FLASH=18	POS TARG 0,0	Prime + Parallel Group 1-2 in NGC4192-S_NB (43)	710 Secs (710 Secs) [==>]	[1]
	2	F814W-PA R	ANY	ACS/WFC, ACCUM, WFC	F814W			Prime + Parallel Group 1-2 in NGC4192-S_NB (43)	490 Secs (490 Secs) [==>]	[1]
	3	F656N	(6) NGC4192-S	WFC3/UVIS, ACCUM, UVIS-FIX	F656N	FLASH=18	POS TARG 0.172,1.803	Prime + Parallel Group 3-4 in NGC4192-S_NB (43)	710 Secs (710 Secs) [==>]	[1]
	4	F814W-PA R	ANY	ACS/WFC, ACCUM, WFC	F814W			Prime + Parallel Group 3-4 in NGC4192-S_NB (43)	490 Secs (490 Secs) [==>]	[1]
	5	F656N	(6) NGC4192-S	WFC3/UVIS, ACCUM, UVIS-FIX	F656N	FLASH=18	POS TARG 0.343,3.606	Prime + Parallel Group 5-6 in NGC4192-S_NB (43)	710 Secs (710 Secs) [==>]	[1]
	6	F606W-PA R	ANY	ACS/WFC, ACCUM, WFC	F606W			Prime + Parallel Group 5-6 in NGC4192-S_NB (43)	490 Secs (490 Secs) [==>]	[1]



Proposal 18103 - NGC4216-C NB (45) - Anatomy of a fall: Dissecting the environment-driven transformation of late-type Virgo cluster ...

Wed Feb 04 15:01:59 GMT 2026

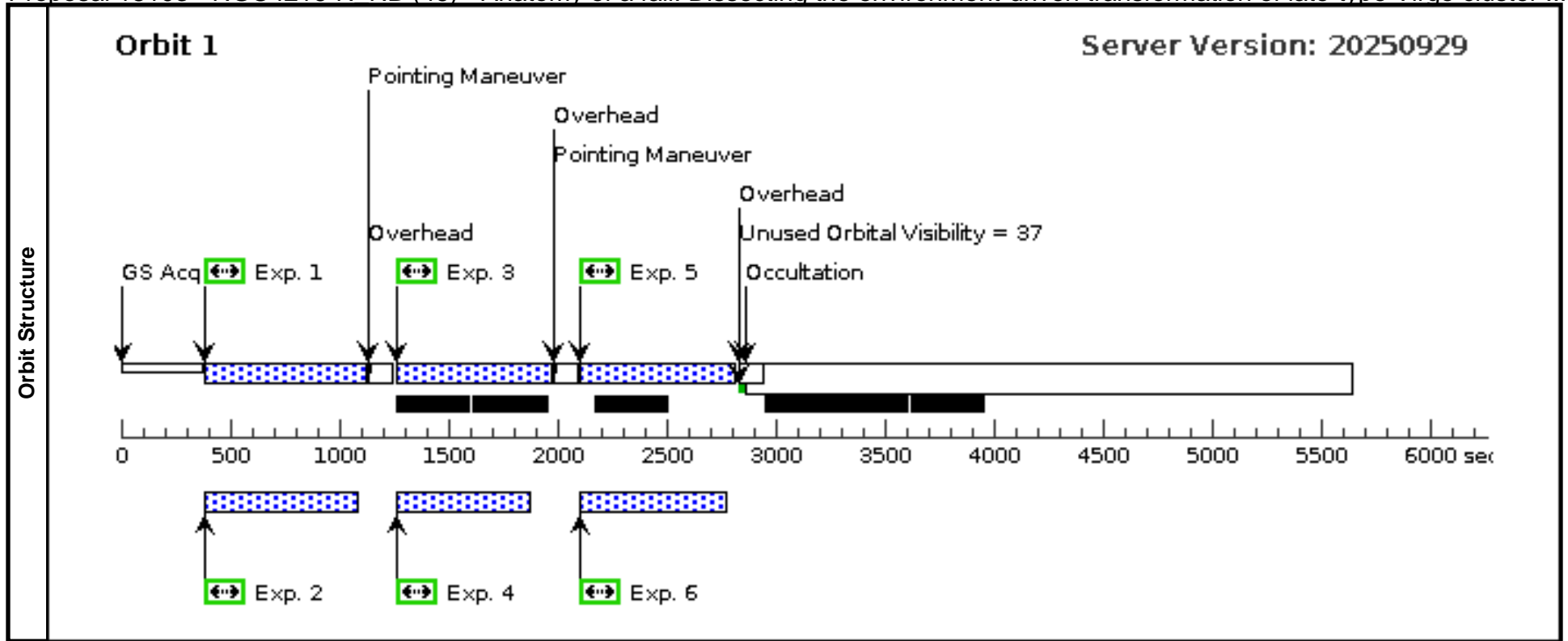
Visit	Proposal 18103, NGC4216-C_NB (45), scheduling Diagnostic Status: No Diagnostics Scientific Instruments: WFC3/UVIS, ACS/WFC Special Requirements: SCHED 100%; SAME ORIENT AS 08									
	Fixed Targets	#	Name	Target Coordinates	Targ. Coord. Corrections	Fluxes	Miscellaneous			
	(8)	NGC4216-C	RA: 12 15 54.9978 (183.9791575d) Dec: +13 09 0.37 (13.15010d) Equinox: J2000		V=11	Reference Frame: ICRS				
	<i>Comments:</i> Category=GALAXY Description=[SPIRAL]									
Exposures	#	Label	Target	Config,Mode,Aperture	Spectral Els.	Opt. Params.	Special Reqs.	Groups	Exp. Time (Total)/[Actual Dur.]	Orbit
	1	F657N	(8) NGC4216-C	WFC3/UVIS, ACCUM, UVIS-FIX	F657N	FLASH=18	POS TARG 0,0	Prime + Parallel Group 1-2 in NGC4216-C_NB (45)	710 Secs (710 Secs) [==>]	[1]
	2	F814W-PA R	ANY	ACS/WFC, ACCUM, WFC	F814W			Prime + Parallel Group 1-2 in NGC4216-C_NB (45)	490 Secs (490 Secs) [==>]	[1]
	3	F657N	(8) NGC4216-C	WFC3/UVIS, ACCUM, UVIS-FIX	F657N	FLASH=18	POS TARG 0.172,1.803	Prime + Parallel Group 3-4 in NGC4216-C_NB (45)	710 Secs (710 Secs) [==>]	[1]
	4	F814W-PA R	ANY	ACS/WFC, ACCUM, WFC	F814W			Prime + Parallel Group 3-4 in NGC4216-C_NB (45)	490 Secs (490 Secs) [==>]	[1]
	5	F657N	(8) NGC4216-C	WFC3/UVIS, ACCUM, UVIS-FIX	F657N	FLASH=18	POS TARG 0.343,3.606	Prime + Parallel Group 5-6 in NGC4216-C_NB (45)	710 Secs (710 Secs) [==>]	[1]
	6	F606W-PA R	ANY	ACS/WFC, ACCUM, WFC	F606W			Prime + Parallel Group 5-6 in NGC4216-C_NB (45)	490 Secs (490 Secs) [==>]	[1]



Proposal 18103 - NGC4216-N_NB (46) - Anatomy of a fall: Dissecting the environment-driven transformation of late-type Virgo cluster ...

Wed Feb 04 15:01:59 GMT 2026

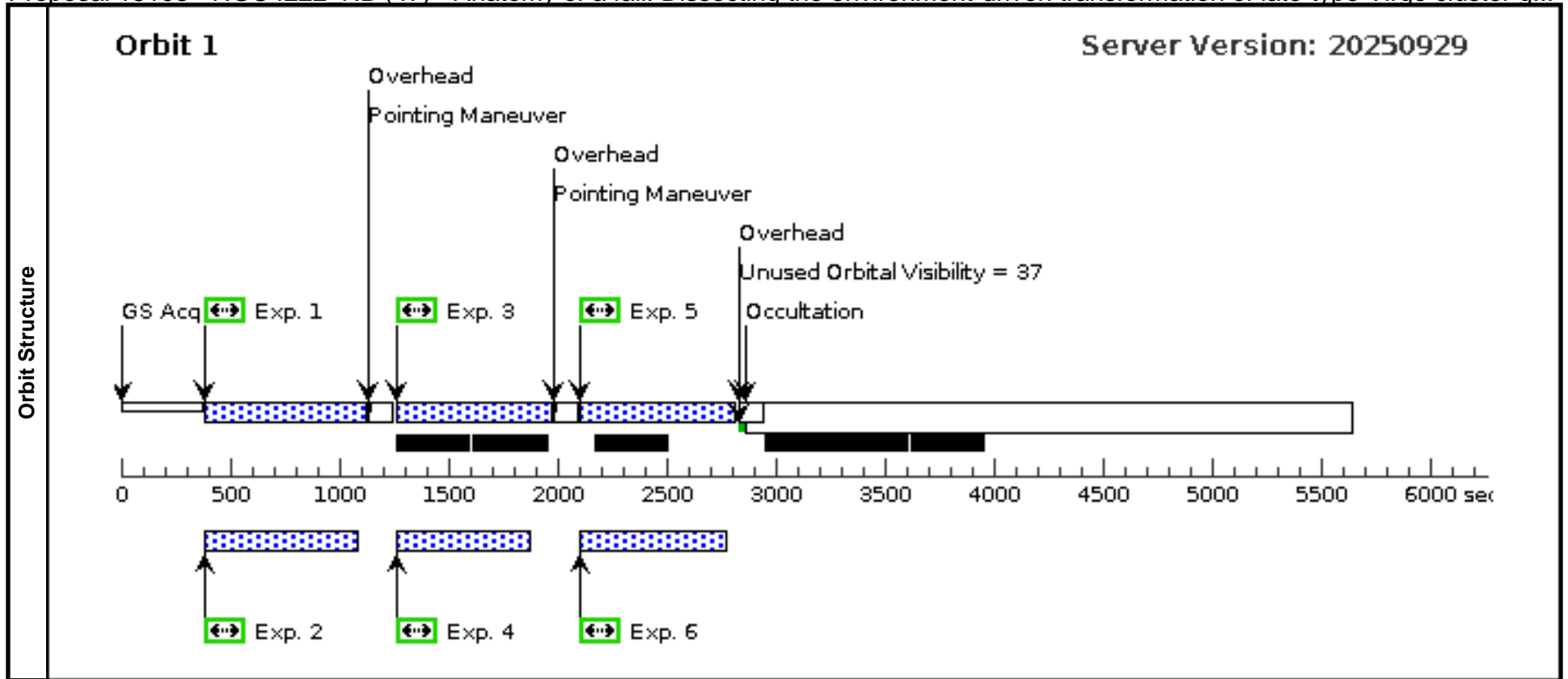
Visit	Proposal 18103, NGC4216-N_NB (46), scheduling Diagnostic Status: No Diagnostics Scientific Instruments: WFC3/UVIS, ACS/WFC Special Requirements: SCHED 100%; SAME ORIENT AS 09									
	Fixed Targets	#	Name	Target Coordinates	Targ. Coord. Corrections	Fluxes	Miscellaneous			
	(9)	NGC4216-N	RA: 12 15 58.1593 (183.9923304d) Dec: +13 11 6.24 (13.18507d) Equinox: J2000		V=11	Reference Frame: ICRS				
	<i>Comments:</i> Category=GALAXY Description=[SPIRAL]									
Exposures	#	Label	Target	Config,Mode,Aperture	Spectral Els.	Opt. Params.	Special Reqs.	Groups	Exp. Time (Total)/[Actual Dur.]	Orbit
	1	F657N	(9) NGC4216-N	WFC3/UVIS, ACCUM, UVIS-FIX	F657N	FLASH=18	POS TARG 0,0	Prime + Parallel Group 1-2 in NGC4216-N_NB (46)	710 Secs (710 Secs) [==>]	[1]
	2	F814W-PA R	ANY	ACS/WFC, ACCUM, WFC	F814W			Prime + Parallel Group 1-2 in NGC4216-N_NB (46)	490 Secs (490 Secs) [==>]	[1]
	3	F657N	(9) NGC4216-N	WFC3/UVIS, ACCUM, UVIS-FIX	F657N	FLASH=18	POS TARG 0.172,1.803	Prime + Parallel Group 3-4 in NGC4216-N_NB (46)	710 Secs (710 Secs) [==>]	[1]
	4	F814W-PA R	ANY	ACS/WFC, ACCUM, WFC	F814W			Prime + Parallel Group 3-4 in NGC4216-N_NB (46)	490 Secs (490 Secs) [==>]	[1]
	5	F657N	(9) NGC4216-N	WFC3/UVIS, ACCUM, UVIS-FIX	F657N	FLASH=18	POS TARG 0.343,3.606	Prime + Parallel Group 5-6 in NGC4216-N_NB (46)	710 Secs (710 Secs) [==>]	[1]
	6	F606W-PA R	ANY	ACS/WFC, ACCUM, WFC	F606W			Prime + Parallel Group 5-6 in NGC4216-N_NB (46)	490 Secs (490 Secs) [==>]	[1]



Proposal 18103 - NGC4222 NB (47) - Anatomy of a fall: Dissecting the environment-driven transformation of late-type Virgo cluster g...

Wed Feb 04 15:01:59 GMT 2026

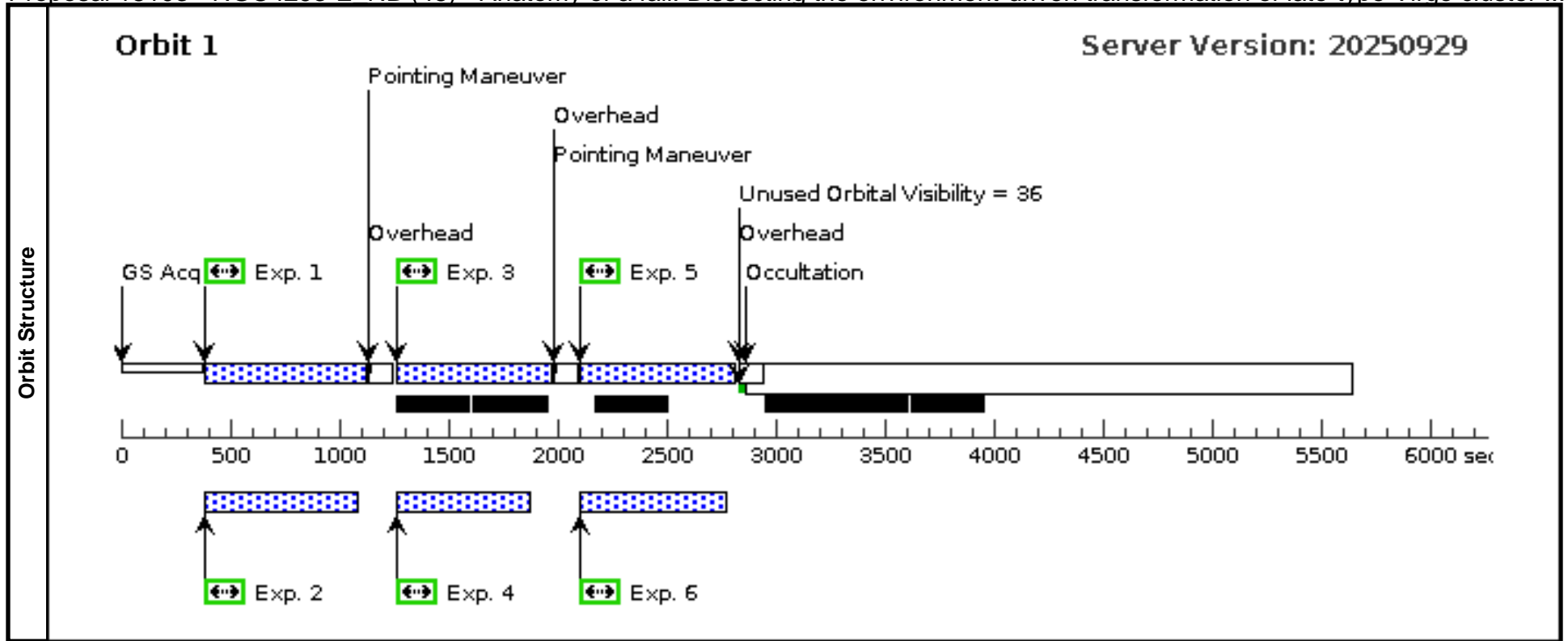
Visit	Proposal 18103, NGC4222_NB (47), completed Diagnostic Status: No Diagnostics Scientific Instruments: WFC3/UVIS, ACS/WFC Special Requirements: SCHED 100%; SAME ORIENT AS 10									
	Fixed Targets	#	Name	Target Coordinates	Targ. Coord. Corrections	Fluxes	Miscellaneous			
	(10)	NGC4222	RA: 12 16 22.4359 (184.0934829d) Dec: +13 18 22.32 (13.30620d) Equinox: J2000		V=11	Reference Frame: ICRS				
	<i>Comments:</i> Category=GALAXY Description=[SPIRAL]									
Exposures	#	Label	Target	Config,Mode,Aperture	Spectral Els.	Opt. Params.	Special Reqs.	Groups	Exp. Time (Total)/[Actual Dur.]	Orbit
	1	F657N	(10) NGC4222	WFC3/UVIS, ACCUM, UVIS-FIX	F657N	FLASH=18	POS TARG 0,0	Prime + Parallel Group 1-2 in NGC4222_NB (47)	710 Secs (710 Secs) [==>]	[1]
	2	F814W-PA R	ANY	ACS/WFC, ACCUM, WFC	F814W			Prime + Parallel Group 1-2 in NGC4222_NB (47)	490 Secs (490 Secs) [==>]	[1]
	3	F657N	(10) NGC4222	WFC3/UVIS, ACCUM, UVIS-FIX	F657N	FLASH=18	POS TARG 0.172,1.803	Prime + Parallel Group 3-4 in NGC4222_NB (47)	710 Secs (710 Secs) [==>]	[1]
	4	F814W-PA R	ANY	ACS/WFC, ACCUM, WFC	F814W			Prime + Parallel Group 3-4 in NGC4222_NB (47)	490 Secs (490 Secs) [==>]	[1]
	5	F657N	(10) NGC4222	WFC3/UVIS, ACCUM, UVIS-FIX	F657N	FLASH=18	POS TARG 0.343,3.606	Prime + Parallel Group 5-6 in NGC4222_NB (47)	710 Secs (710 Secs) [==>]	[1]
	6	F606W-PA R	ANY	ACS/WFC, ACCUM, WFC	F606W			Prime + Parallel Group 5-6 in NGC4222_NB (47)	490 Secs (490 Secs) [==>]	[1]



Proposal 18103 - NGC4293-E NB (48) - Anatomy of a fall: Dissecting the environment-driven transformation of late-type Virgo cluster ...

Wed Feb 04 15:01:59 GMT 2026

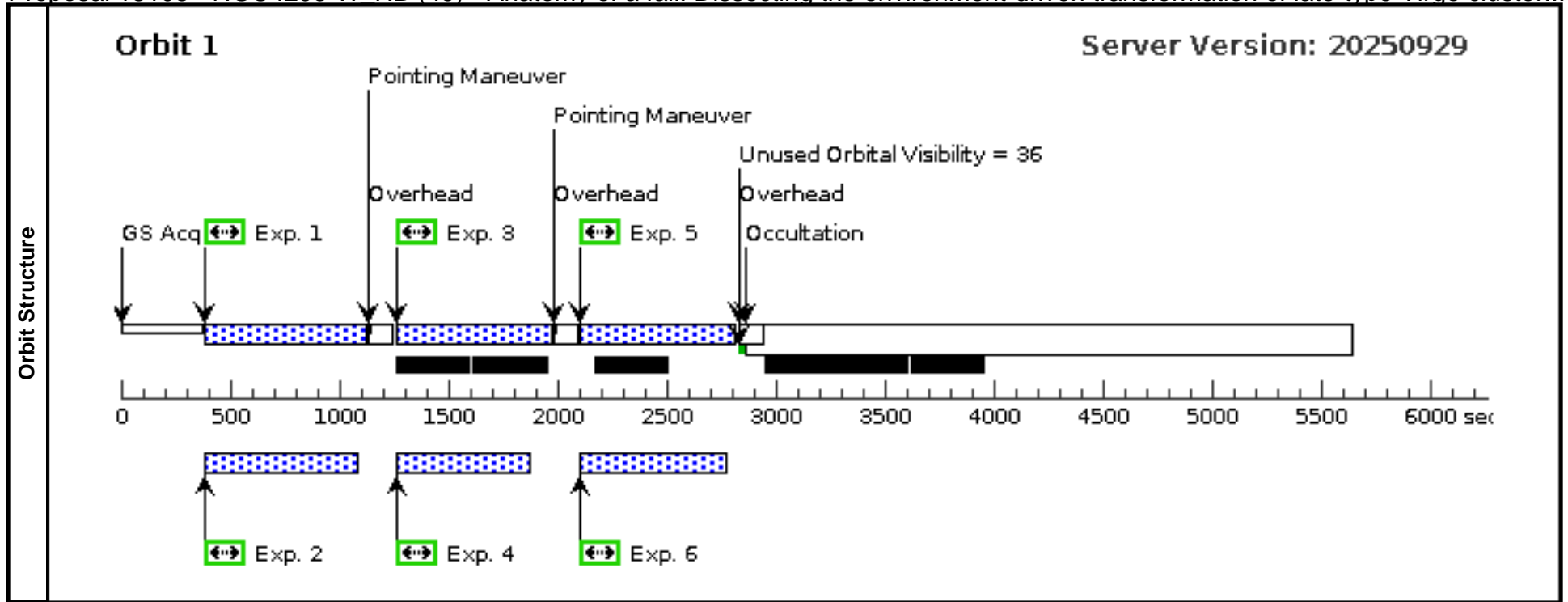
Visit	Proposal 18103, NGC4293-E_NB (48), scheduling Diagnostic Status: No Diagnostics Scientific Instruments: WFC3/UVIS, ACS/WFC Special Requirements: SCHED 100%; SAME ORIENT AS 11									
	Fixed Targets	#	Name	Target Coordinates	Targ. Coord. Corrections	Fluxes	Miscellaneous			
	(11)	NGC4293-E	RA: 12 21 17.0700 (185.3211250d) Dec: +18 23 23.77 (18.38994d) Equinox: J2000		V=11	Reference Frame: ICRS				
	Comments: Category=GALAXY Description=[SPIRAL]									
Exposures	#	Label	Target	Config,Mode,Aperture	Spectral Els.	Opt. Params.	Special Reqs.	Groups	Exp. Time (Total)/[Actual Dur.]	Orbit
	1	F658N	(11) NGC4293-E	WFC3/UVIS, ACCUM, UVIS-FIX	F658N	FLASH=18	POS TARG 0,0	Prime + Parallel Group 1-2 in NGC4293-E_NB (48)	710 Secs (710 Secs) [==>]	[1]
	2	F814W-PA R	ANY	ACS/WFC, ACCUM, WFC	F814W			Prime + Parallel Group 1-2 in NGC4293-E_NB (48)	490 Secs (490 Secs) [==>]	[1]
	3	F658N	(11) NGC4293-E	WFC3/UVIS, ACCUM, UVIS-FIX	F658N	FLASH=18	POS TARG 0.172,1.803	Prime + Parallel Group 3-4 in NGC4293-E_NB (48)	710 Secs (710 Secs) [==>]	[1]
	4	F814W-PA R	ANY	ACS/WFC, ACCUM, WFC	F814W			Prime + Parallel Group 3-4 in NGC4293-E_NB (48)	490 Secs (490 Secs) [==>]	[1]
	5	F658N	(11) NGC4293-E	WFC3/UVIS, ACCUM, UVIS-FIX	F658N	FLASH=18	POS TARG 0.343,3.606	Prime + Parallel Group 5-6 in NGC4293-E_NB (48)	710 Secs (710 Secs) [==>]	[1]
	6	F606W-PA R	ANY	ACS/WFC, ACCUM, WFC	F606W			Prime + Parallel Group 5-6 in NGC4293-E_NB (48)	490 Secs (490 Secs) [==>]	[1]



Proposal 18103 - NGC4293-W NB (49) - Anatomy of a fall: Dissecting the environment-driven transformation of late-type Virgo cluster...

Wed Feb 04 15:01:59 GMT 2026

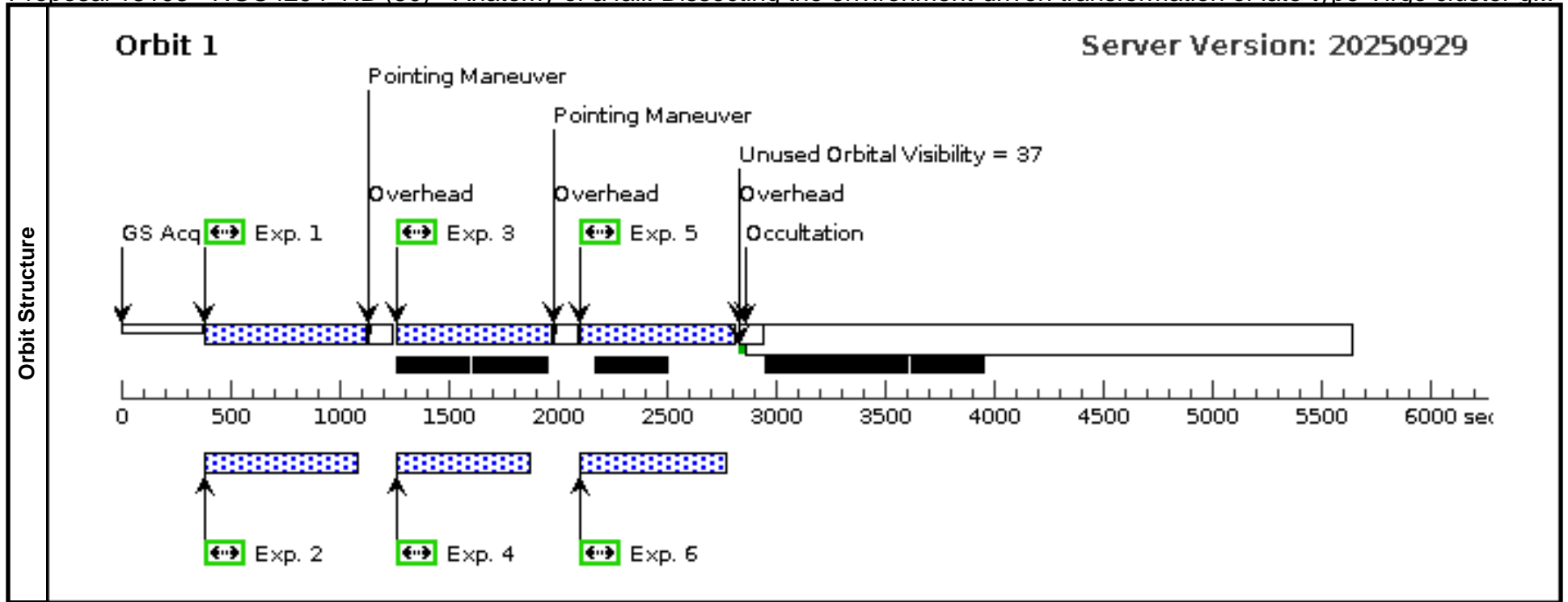
Visit	Proposal 18103, NGC4293-W_NB (49), scheduling Diagnostic Status: No Diagnostics Scientific Instruments: WFC3/UVIS, ACS/WFC Special Requirements: SCHED 100%; SAME ORIENT AS 12									
	Fixed Targets	#	Name	Target Coordinates	Targ. Coord. Corrections	Fluxes	Miscellaneous			
	(12)	NGC4293-W	RA: 12 21 7.9430 (185.2830958d) Dec: +18 22 26.81 (18.37411d) Equinox: J2000		V=11	Reference Frame: ICRS				
	<i>Comments:</i> Category=GALAXY Description=[SPIRAL]									
Exposures	#	Label	Target	Config,Mode,Aperture	Spectral Els.	Opt. Params.	Special Reqs.	Groups	Exp. Time (Total)/[Actual Dur.]	Orbit
	1	F658N	(12) NGC4293-W	WFC3/UVIS, ACCUM, UVIS-FIX	F658N	FLASH=18	POS TARG 0,0	Prime + Parallel Group 1-2 in NGC4293-W_NB (49)	710 Secs (710 Secs) [==>]	[1]
	2	F814W-PA R	ANY	ACS/WFC, ACCUM, WFC	F814W			Prime + Parallel Group 1-2 in NGC4293-W_NB (49)	490 Secs (490 Secs) [==>]	[1]
	3	F658N	(12) NGC4293-W	WFC3/UVIS, ACCUM, UVIS-FIX	F658N	FLASH=18	POS TARG 0.172,1.803	Prime + Parallel Group 3-4 in NGC4293-W_NB (49)	710 Secs (710 Secs) [==>]	[1]
	4	F814W-PA R	ANY	ACS/WFC, ACCUM, WFC	F814W			Prime + Parallel Group 3-4 in NGC4293-W_NB (49)	490 Secs (490 Secs) [==>]	[1]
	5	F658N	(12) NGC4293-W	WFC3/UVIS, ACCUM, UVIS-FIX	F658N	FLASH=18	POS TARG 0.343,3.606	Prime + Parallel Group 5-6 in NGC4293-W_NB (49)	710 Secs (710 Secs) [==>]	[1]
	6	F606W-PA R	ANY	ACS/WFC, ACCUM, WFC	F606W			Prime + Parallel Group 5-6 in NGC4293-W_NB (49)	490 Secs (490 Secs) [==>]	[1]



Proposal 18103 - NGC4294 NB (50) - Anatomy of a fall: Dissecting the environment-driven transformation of late-type Virgo cluster g...

Wed Feb 04 15:01:59 GMT 2026

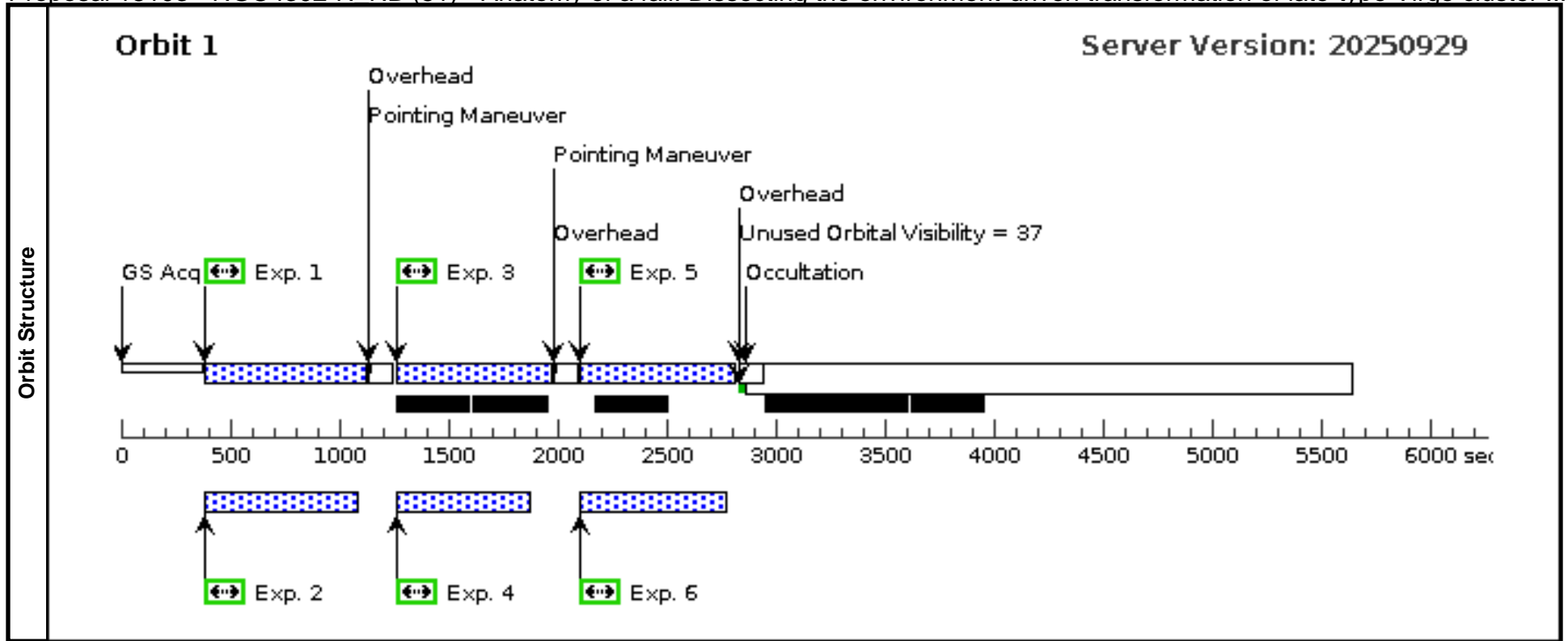
Visit	Proposal 18103, NGC4294_NB (50), scheduling Diagnostic Status: No Diagnostics Scientific Instruments: WFC3/UVIS, ACS/WFC Special Requirements: SCHED 100%; SAME ORIENT AS 13									
	Fixed Targets	#	Name	Target Coordinates	Targ. Coord. Corrections	Fluxes	Miscellaneous			
	(13)	NGC4294	RA: 12 21 17.7870 (185.3241125d) Dec: +11 30 39.99 (11.51111d) Equinox: J2000		V=11	Reference Frame: ICRS				
	<i>Comments:</i> Category=GALAXY Description=[SPIRAL]									
Exposures	#	Label	Target	Config,Mode,Aperture	Spectral Els.	Opt. Params.	Special Reqs.	Groups	Exp. Time (Total)/[Actual Dur.]	Orbit
	1	F657N	(13) NGC4294	WFC3/UVIS, ACCUM, UVIS-FIX	F657N	FLASH=18	POS TARG 0,0	Prime + Parallel Group 1-2 in NGC4294_NB (50)	710 Secs (710 Secs) [==>]	[1]
	2	F814W-PA R	ANY	ACS/WFC, ACCUM, WFC	F814W			Prime + Parallel Group 1-2 in NGC4294_NB (50)	490 Secs (490 Secs) [==>]	[1]
	3	F657N	(13) NGC4294	WFC3/UVIS, ACCUM, UVIS-FIX	F657N	FLASH=18	POS TARG 0.172,1.803	Prime + Parallel Group 3-4 in NGC4294_NB (50)	710 Secs (710 Secs) [==>]	[1]
	4	F814W-PA R	ANY	ACS/WFC, ACCUM, WFC	F814W			Prime + Parallel Group 3-4 in NGC4294_NB (50)	490 Secs (490 Secs) [==>]	[1]
	5	F657N	(13) NGC4294	WFC3/UVIS, ACCUM, UVIS-FIX	F657N	FLASH=18	POS TARG 0.343,3.606	Prime + Parallel Group 5-6 in NGC4294_NB (50)	710 Secs (710 Secs) [==>]	[1]
	6	F606W-PA R	ANY	ACS/WFC, ACCUM, WFC	F606W			Prime + Parallel Group 5-6 in NGC4294_NB (50)	490 Secs (490 Secs) [==>]	[1]



Proposal 18103 - NGC4302-N_NB (51) - Anatomy of a fall: Dissecting the environment-driven transformation of late-type Virgo cluster ...

Wed Feb 04 15:01:59 GMT 2026

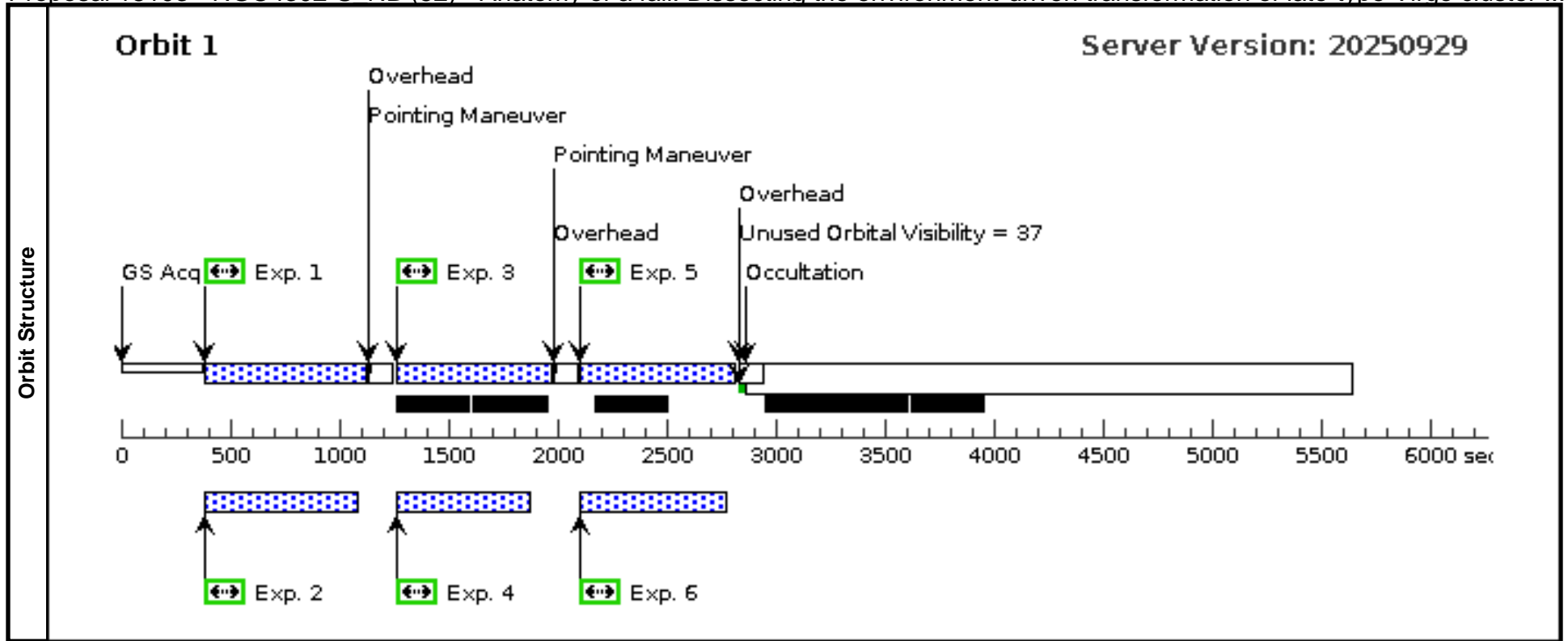
Visit	Proposal 18103, NGC4302-N_NB (51), scheduling Diagnostic Status: No Diagnostics Scientific Instruments: WFC3/UVIS, ACS/WFC Special Requirements: SCHED 100%; SAME ORIENT AS 14									
	Fixed Targets	#	Name	Target Coordinates	Targ. Coord. Corrections	Fluxes	Miscellaneous			
	(14)	NGC4302-N	RA: 12 21 42.1144 (185.4254767d) Dec: +14 36 54.97 (14.61527d) Equinox: J2000		V=11	Reference Frame: ICRS				
	<i>Comments:</i> Category=GALAXY Description=[SPIRAL]									
Exposures	#	Label	Target	Config,Mode,Aperture	Spectral Els.	Opt. Params.	Special Reqs.	Groups	Exp. Time (Total)/[Actual Dur.]	Orbit
	1	F658N	(14) NGC4302-N	WFC3/UVIS, ACCUM, UVIS-FIX	F658N	FLASH=18	POS TARG 0,0	Prime + Parallel Group 1-2 in NGC4302-N_NB (51)	710 Secs (710 Secs) [==>]	[1]
	2	F814W-PA R	ANY	ACS/WFC, ACCUM, WFC	F814W			Prime + Parallel Group 1-2 in NGC4302-N_NB (51)	490 Secs (490 Secs) [==>]	[1]
	3	F658N	(14) NGC4302-N	WFC3/UVIS, ACCUM, UVIS-FIX	F658N	FLASH=18	POS TARG 0.172,1.803	Prime + Parallel Group 3-4 in NGC4302-N_NB (51)	710 Secs (710 Secs) [==>]	[1]
	4	F814W-PA R	ANY	ACS/WFC, ACCUM, WFC	F814W			Prime + Parallel Group 3-4 in NGC4302-N_NB (51)	490 Secs (490 Secs) [==>]	[1]
	5	F658N	(14) NGC4302-N	WFC3/UVIS, ACCUM, UVIS-FIX	F658N	FLASH=18	POS TARG 0.343,3.606	Prime + Parallel Group 5-6 in NGC4302-N_NB (51)	710 Secs (710 Secs) [==>]	[1]
	6	F606W-PA R	ANY	ACS/WFC, ACCUM, WFC	F606W			Prime + Parallel Group 5-6 in NGC4302-N_NB (51)	490 Secs (490 Secs) [==>]	[1]



Proposal 18103 - NGC4302-S_NB (52) - Anatomy of a fall: Dissecting the environment-driven transformation of late-type Virgo cluster ...

Wed Feb 04 15:01:59 GMT 2026

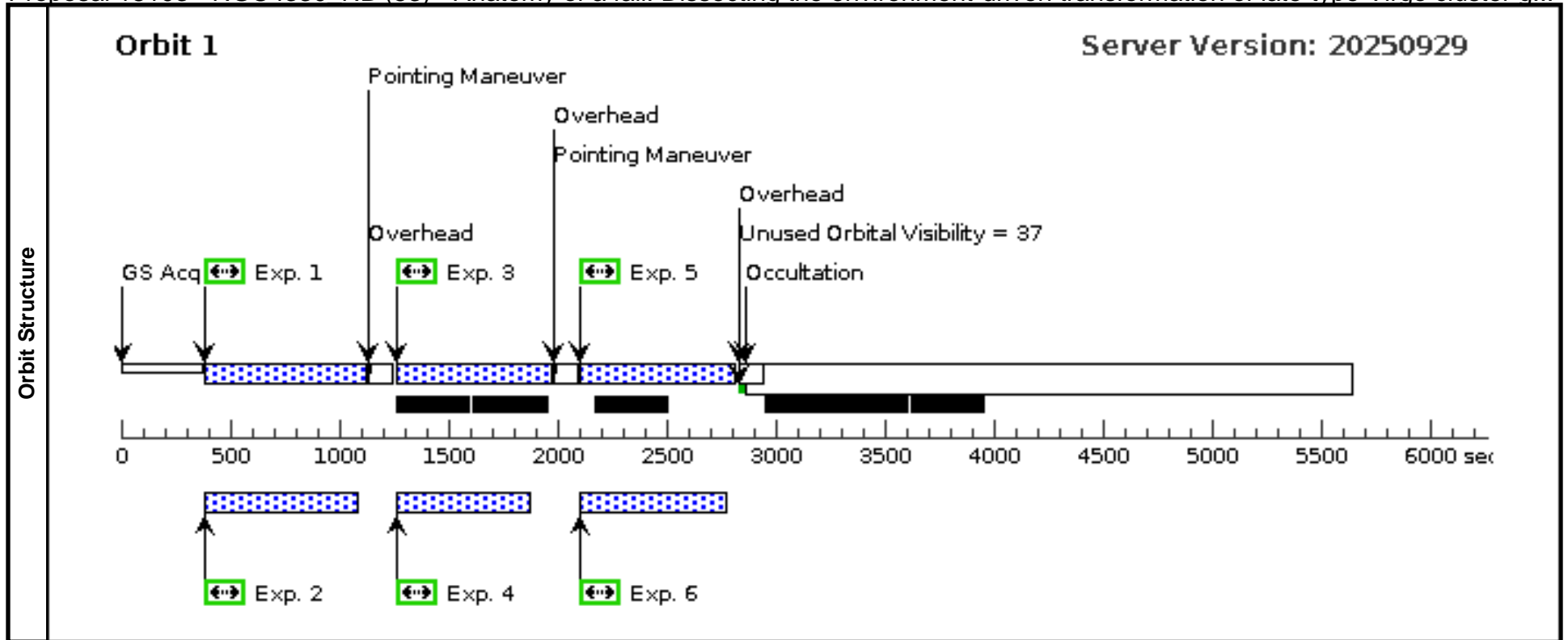
Visit	Proposal 18103, NGC4302-S_NB (52), scheduling Diagnostic Status: No Diagnostics Scientific Instruments: WFC3/UVIS, ACS/WFC Special Requirements: SCHED 100%; SAME ORIENT AS 15									
	Fixed Targets	#	Name	Target Coordinates	Targ. Coord. Corrections	Fluxes	Miscellaneous			
	(15)	NGC4302-S	RA: 12 21 44.6178 (185.4359075d) Dec: +14 34 18.51 (14.57181d) Equinox: J2000		V=11	Reference Frame: ICRS				
	<i>Comments:</i> Category=GALAXY Description=[SPIRAL]									
Exposures	#	Label	Target	Config,Mode,Aperture	Spectral Els.	Opt. Params.	Special Reqs.	Groups	Exp. Time (Total)/[Actual Dur.]	Orbit
	1	F658N	(15) NGC4302-S	WFC3/UVIS, ACCUM, UVIS-FIX	F658N	FLASH=18	POS TARG 0,0	Prime + Parallel Group 1-2 in NGC4302-S_NB (52)	710 Secs (710 Secs) [==>]	[1]
	2	F814W-PA R	ANY	ACS/WFC, ACCUM, WFC	F814W			Prime + Parallel Group 1-2 in NGC4302-S_NB (52)	490 Secs (490 Secs) [==>]	[1]
	3	F658N	(15) NGC4302-S	WFC3/UVIS, ACCUM, UVIS-FIX	F658N	FLASH=18	POS TARG 0.172,1.803	Prime + Parallel Group 3-4 in NGC4302-S_NB (52)	710 Secs (710 Secs) [==>]	[1]
	4	F814W-PA R	ANY	ACS/WFC, ACCUM, WFC	F814W			Prime + Parallel Group 3-4 in NGC4302-S_NB (52)	490 Secs (490 Secs) [==>]	[1]
	5	F658N	(15) NGC4302-S	WFC3/UVIS, ACCUM, UVIS-FIX	F658N	FLASH=18	POS TARG 0.343,3.606	Prime + Parallel Group 5-6 in NGC4302-S_NB (52)	710 Secs (710 Secs) [==>]	[1]
	6	F606W-PA R	ANY	ACS/WFC, ACCUM, WFC	F606W			Prime + Parallel Group 5-6 in NGC4302-S_NB (52)	490 Secs (490 Secs) [==>]	[1]



Proposal 18103 - NGC4330_NB (53) - Anatomy of a fall: Dissecting the environment-driven transformation of late-type Virgo cluster g...

Wed Feb 04 15:01:59 GMT 2026

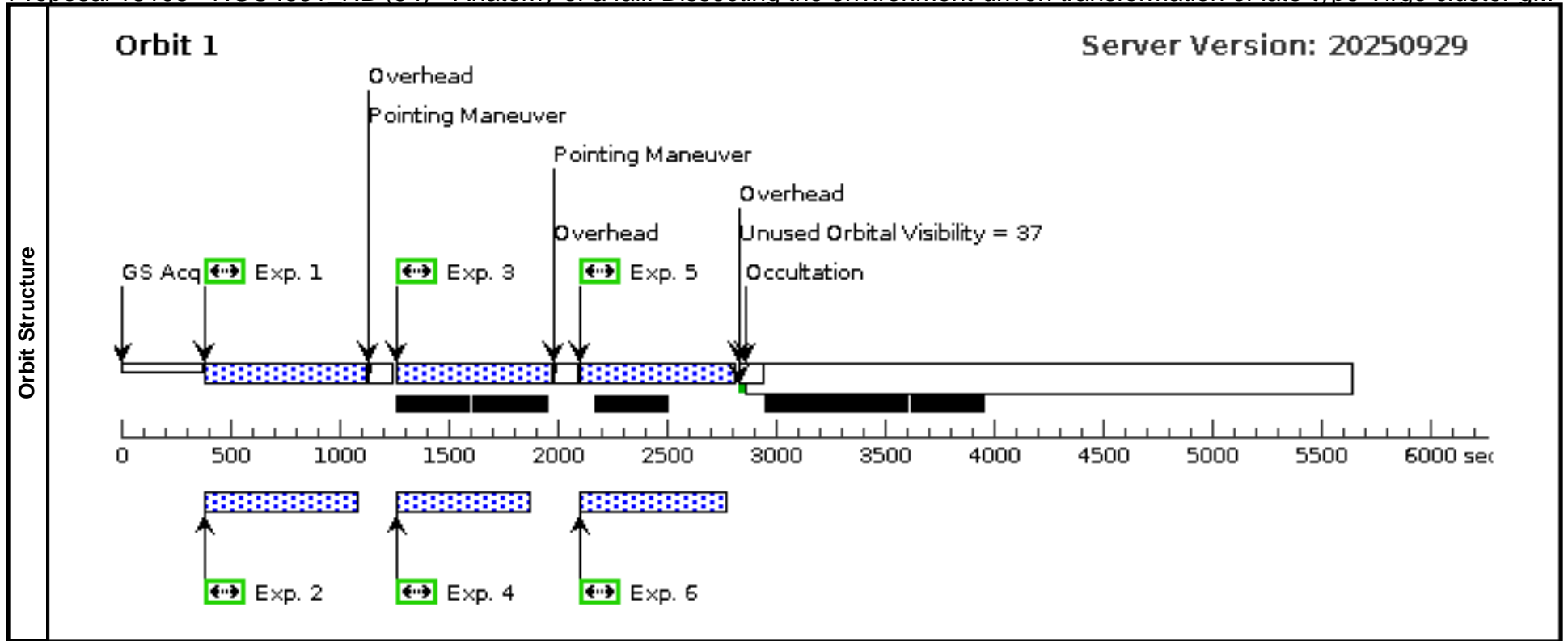
Visit	Proposal 18103, NGC4330_NB (53), scheduling Diagnostic Status: No Diagnostics Scientific Instruments: WFC3/UVIS, ACS/WFC Special Requirements: SCHED 100%; SAME ORIENT AS 16									
	Fixed Targets	#	Name	Target Coordinates	Targ. Coord. Corrections	Fluxes	Miscellaneous			
	(16)	NGC4330	RA: 12 23 16.7185 (185.8196604d) Dec: +11 21 34.01 (11.35945d) Equinox: J2000		V=11	Reference Frame: ICRS				
	<i>Comments:</i> Category=GALAXY Description=[SPIRAL]									
Exposures	#	Label	Target	Config,Mode,Aperture	Spectral Els.	Opt. Params.	Special Reqs.	Groups	Exp. Time (Total)/[Actual Dur.]	Orbit
	1	F657N	(16) NGC4330	WFC3/UVIS, ACCUM, UVIS-FIX	F657N	FLASH=18	POS TARG 0,0	Prime + Parallel Group 1-2 in NGC4330_NB (53)	710 Secs (710 Secs) [==>]	[1]
	2	F814W-PA R	ANY	ACS/WFC, ACCUM, WFC	F814W			Prime + Parallel Group 1-2 in NGC4330_NB (53)	490 Secs (490 Secs) [==>]	[1]
	3	F657N	(16) NGC4330	WFC3/UVIS, ACCUM, UVIS-FIX	F657N	FLASH=18	POS TARG 0.172,1.803	Prime + Parallel Group 3-4 in NGC4330_NB (53)	710 Secs (710 Secs) [==>]	[1]
	4	F814W-PA R	ANY	ACS/WFC, ACCUM, WFC	F814W			Prime + Parallel Group 3-4 in NGC4330_NB (53)	490 Secs (490 Secs) [==>]	[1]
	5	F657N	(16) NGC4330	WFC3/UVIS, ACCUM, UVIS-FIX	F657N	FLASH=18	POS TARG 0.343,3.606	Prime + Parallel Group 5-6 in NGC4330_NB (53)	710 Secs (710 Secs) [==>]	[1]
	6	F606W-PA R	ANY	ACS/WFC, ACCUM, WFC	F606W			Prime + Parallel Group 5-6 in NGC4330_NB (53)	490 Secs (490 Secs) [==>]	[1]



Proposal 18103 - NGC4351_NB (54) - Anatomy of a fall: Dissecting the environment-driven transformation of late-type Virgo cluster g...

Wed Feb 04 15:01:59 GMT 2026

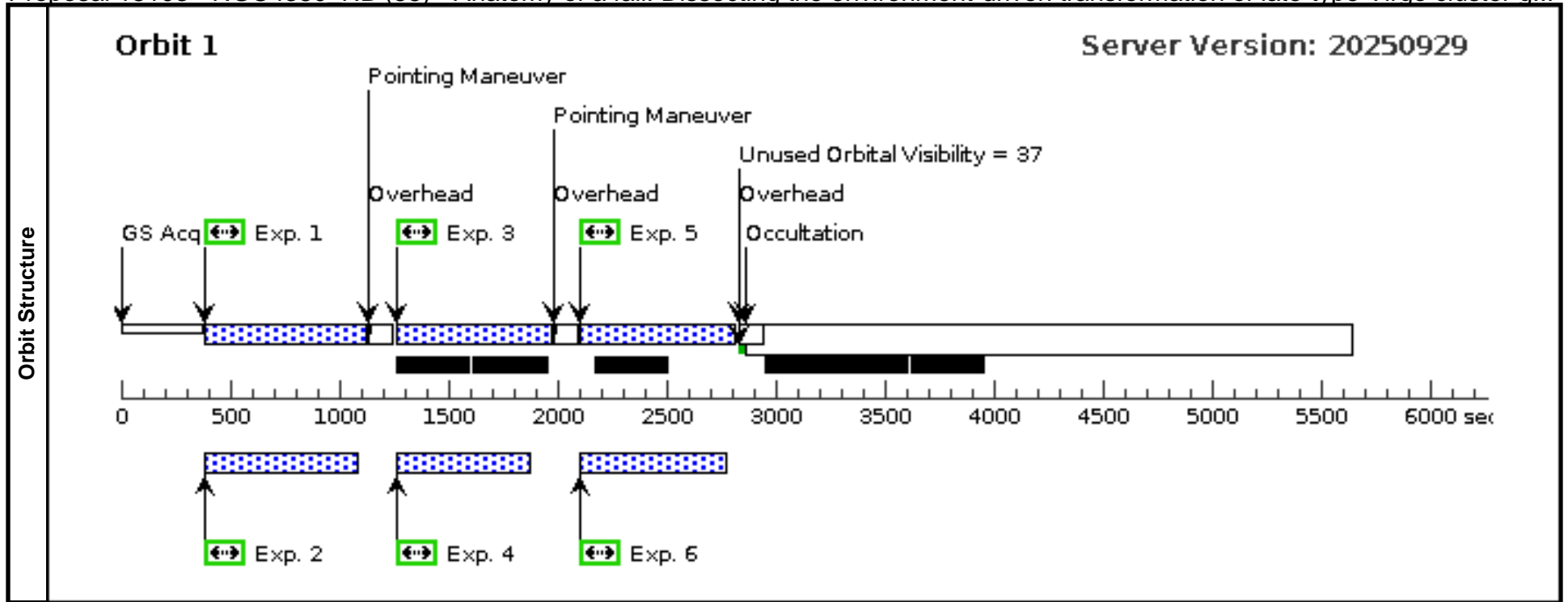
Visit	Proposal 18103, NGC4351_NB (54), scheduling Diagnostic Status: No Diagnostics Scientific Instruments: WFC3/UVIS, ACS/WFC Special Requirements: SCHED 100%; SAME ORIENT AS 17									
	Fixed Targets	#	Name	Target Coordinates	Targ. Coord. Corrections	Fluxes	Miscellaneous			
	(17)	NGC4351	RA: 12 24 1.5600 (186.0065000d) Dec: +12 12 13.18 (12.20366d) Equinox: J2000		V=11	Reference Frame: ICRS				
	<i>Comments:</i> Category=GALAXY Description=[SPIRAL]									
Exposures	#	Label	Target	Config,Mode,Aperture	Spectral Els.	Opt. Params.	Special Reqs.	Groups	Exp. Time (Total)/[Actual Dur.]	Orbit
	1	F657N	(17) NGC4351	WFC3/UVIS, ACCUM, UVIS-FIX	F657N	FLASH=18	POS TARG 0,0	Prime + Parallel Group 1-2 in NGC4351_NB (54)	710 Secs (710 Secs) [==>]	[1]
	2	F814W-PA R	ANY	ACS/WFC, ACCUM, WFC	F814W			Prime + Parallel Group 1-2 in NGC4351_NB (54)	490 Secs (490 Secs) [==>]	[1]
	3	F657N	(17) NGC4351	WFC3/UVIS, ACCUM, UVIS-FIX	F657N	FLASH=18	POS TARG 0.172,1.803	Prime + Parallel Group 3-4 in NGC4351_NB (54)	710 Secs (710 Secs) [==>]	[1]
	4	F814W-PA R	ANY	ACS/WFC, ACCUM, WFC	F814W			Prime + Parallel Group 3-4 in NGC4351_NB (54)	490 Secs (490 Secs) [==>]	[1]
	5	F657N	(17) NGC4351	WFC3/UVIS, ACCUM, UVIS-FIX	F657N	FLASH=18	POS TARG 0.343,3.606	Prime + Parallel Group 5-6 in NGC4351_NB (54)	710 Secs (710 Secs) [==>]	[1]
	6	F606W-PA R	ANY	ACS/WFC, ACCUM, WFC	F606W			Prime + Parallel Group 5-6 in NGC4351_NB (54)	490 Secs (490 Secs) [==>]	[1]



Proposal 18103 - NGC4380_NB (55) - Anatomy of a fall: Dissecting the environment-driven transformation of late-type Virgo cluster g...

Wed Feb 04 15:01:59 GMT 2026

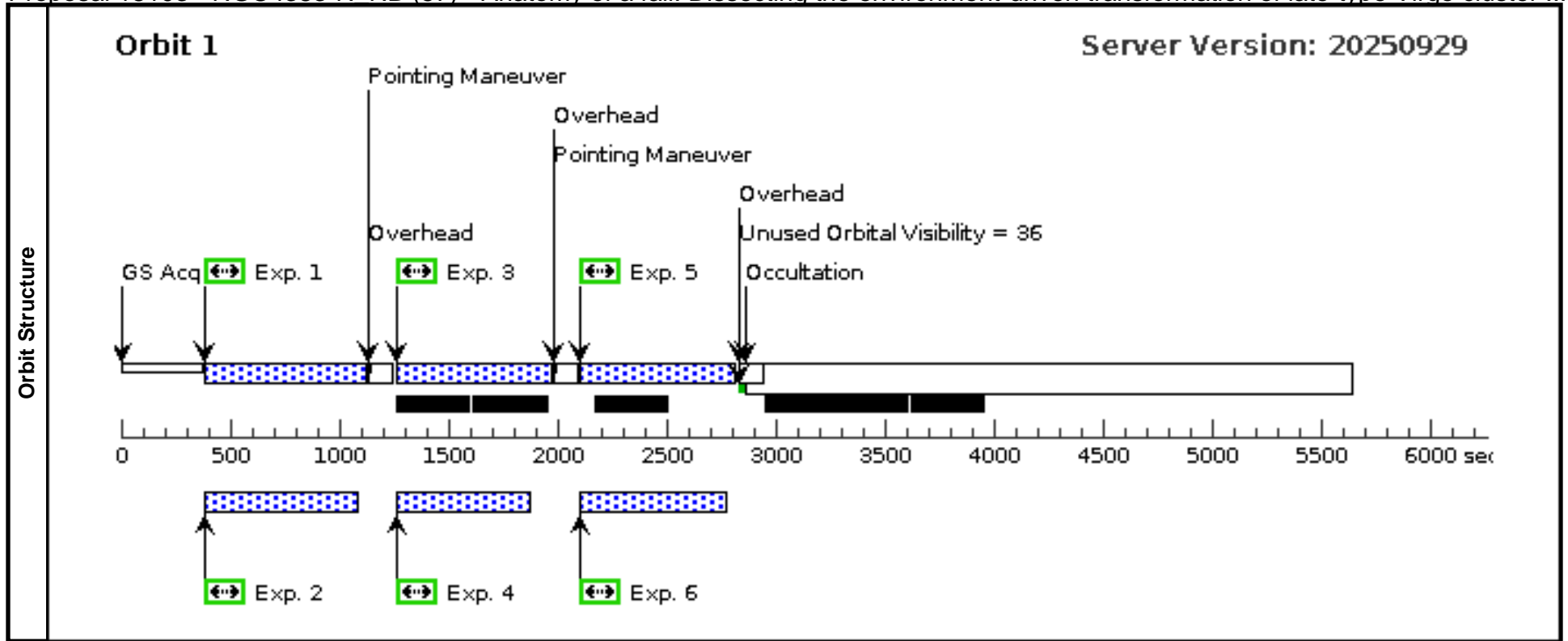
Visit	Proposal 18103, NGC4380_NB (55), scheduling Diagnostic Status: No Diagnostics Scientific Instruments: WFC3/UVIS, ACS/WFC Special Requirements: SCHED 100%; SAME ORIENT AS 18									
	Fixed Targets	#	Name	Target Coordinates	Targ. Coord. Corrections	Fluxes	Miscellaneous			
	(18)	NGC4380	RA: 12 25 22.4157 (186.3433988d) Dec: +10 00 51.01 (10.01417d) Equinox: J2000			V=11	Reference Frame: ICRS			
	Comments: Category=GALAXY Description=[SPIRAL]									
Exposures	#	Label	Target	Config,Mode,Aperture	Spectral Els.	Opt. Params.	Special Reqs.	Groups	Exp. Time (Total)/[Actual Dur.]	Orbit
	1	F658N	(18) NGC4380	WFC3/UVIS, ACCUM, UVIS-FIX	F658N	FLASH=18	POS TARG 0,0	Prime + Parallel Group 1-2 in NGC4380_NB (55)	710 Secs (710 Secs) [==>]	[1]
	2	F814W-PA R	ANY	ACS/WFC, ACCUM, WFC	F814W			Prime + Parallel Group 1-2 in NGC4380_NB (55)	490 Secs (490 Secs) [==>]	[1]
	3	F658N	(18) NGC4380	WFC3/UVIS, ACCUM, UVIS-FIX	F658N	FLASH=18	POS TARG 0.172,1.803	Prime + Parallel Group 3-4 in NGC4380_NB (55)	710 Secs (710 Secs) [==>]	[1]
	4	F814W-PA R	ANY	ACS/WFC, ACCUM, WFC	F814W			Prime + Parallel Group 3-4 in NGC4380_NB (55)	490 Secs (490 Secs) [==>]	[1]
	5	F658N	(18) NGC4380	WFC3/UVIS, ACCUM, UVIS-FIX	F658N	FLASH=18	POS TARG 0.343,3.606	Prime + Parallel Group 5-6 in NGC4380_NB (55)	710 Secs (710 Secs) [==>]	[1]
	6	F606W-PA R	ANY	ACS/WFC, ACCUM, WFC	F606W			Prime + Parallel Group 5-6 in NGC4380_NB (55)	490 Secs (490 Secs) [==>]	[1]



Proposal 18103 - NGC4383-N_NB (57) - Anatomy of a fall: Dissecting the environment-driven transformation of late-type Virgo cluster ...

Wed Feb 04 15:01:59 GMT 2026

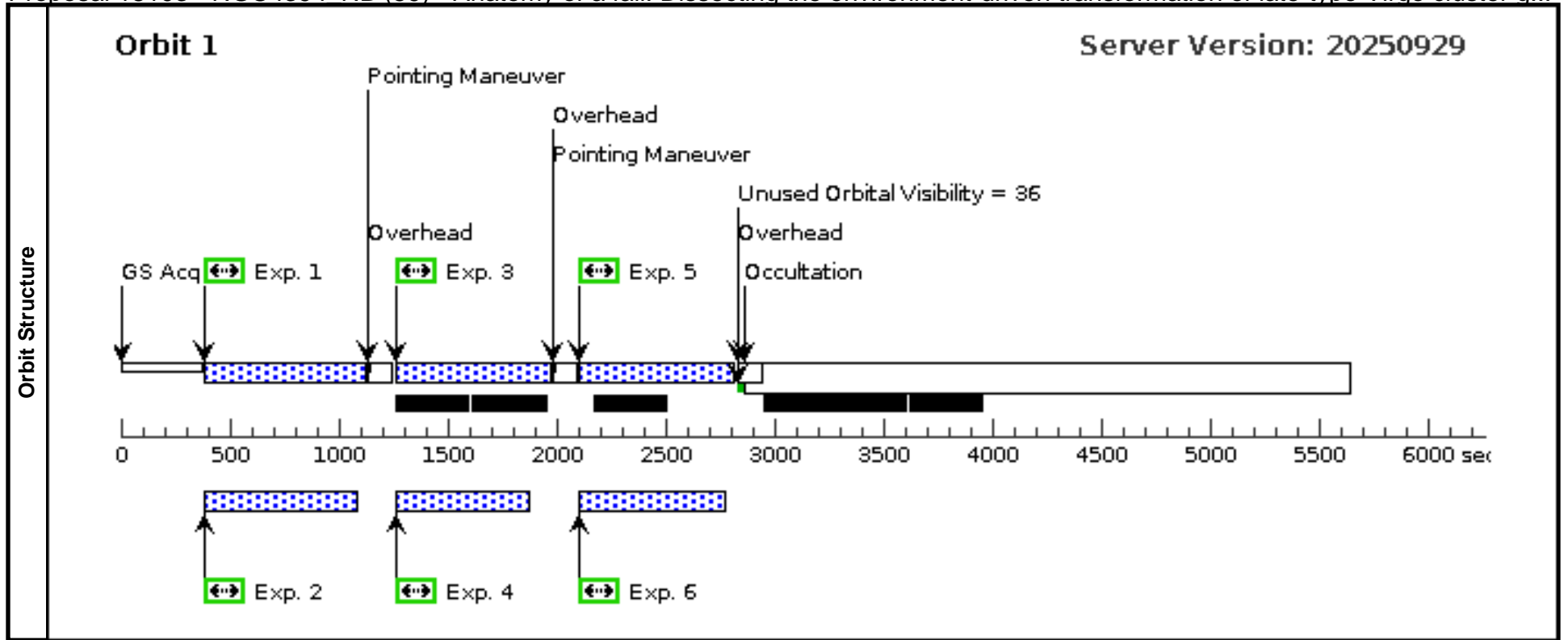
Visit	Proposal 18103, NGC4383-N_NB (57), scheduling Diagnostic Status: No Diagnostics Scientific Instruments: WFC3/UVIS, ACS/WFC Special Requirements: SCHED 100%; SAME ORIENT AS 20									
	Fixed Targets	#	Name	Target Coordinates	Targ. Coord. Corrections	Fluxes	Miscellaneous			
	(20)	NGC4383-N	RA: 12 25 26.5448 (186.3606033d) Dec: +16 28 55.81 (16.48217d) Equinox: J2000			V=11	Reference Frame: ICRS			
	<i>Comments:</i> Category=GALAXY Description=[SPIRAL]									
Exposures	#	Label	Target	Config,Mode,Aperture	Spectral Els.	Opt. Params.	Special Reqs.	Groups	Exp. Time (Total)/[Actual Dur.]	Orbit
	1	F657N	(20) NGC4383-N	WFC3/UVIS, ACCUM, UVIS-FIX	F657N	FLASH=18	POS TARG 0,0	Prime + Parallel Group 1-2 in NGC4383-N_NB (57)	710 Secs (710 Secs) [==>]	[1]
	2	F814W-PA R	ANY	ACS/WFC, ACCUM, WFC	F814W			Prime + Parallel Group 1-2 in NGC4383-N_NB (57)	490 Secs (490 Secs) [==>]	[1]
	3	F657N	(20) NGC4383-N	WFC3/UVIS, ACCUM, UVIS-FIX	F657N	FLASH=18	POS TARG 0.172,1.803	Prime + Parallel Group 3-4 in NGC4383-N_NB (57)	710 Secs (710 Secs) [==>]	[1]
	4	F814W-PA R	ANY	ACS/WFC, ACCUM, WFC	F814W			Prime + Parallel Group 3-4 in NGC4383-N_NB (57)	490 Secs (490 Secs) [==>]	[1]
	5	F657N	(20) NGC4383-N	WFC3/UVIS, ACCUM, UVIS-FIX	F657N	FLASH=18	POS TARG 0.343,3.606	Prime + Parallel Group 5-6 in NGC4383-N_NB (57)	710 Secs (710 Secs) [==>]	[1]
	6	F606W-PA R	ANY	ACS/WFC, ACCUM, WFC	F606W			Prime + Parallel Group 5-6 in NGC4383-N_NB (57)	490 Secs (490 Secs) [==>]	[1]



Proposal 18103 - NGC4394 NB (59) - Anatomy of a fall: Dissecting the environment-driven transformation of late-type Virgo cluster g...

Wed Feb 04 15:01:59 GMT 2026

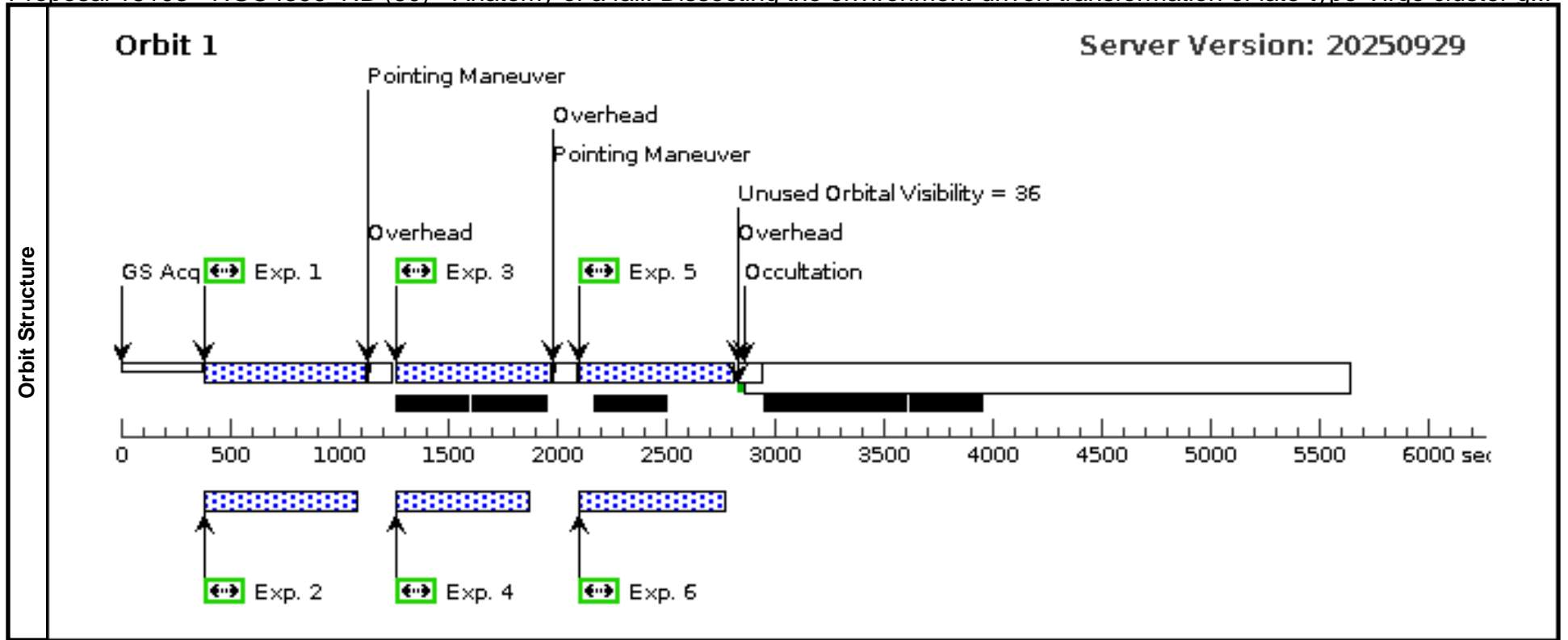
Visit	Proposal 18103, NGC4394_NB (59), completed Diagnostic Status: No Diagnostics Scientific Instruments: WFC3/UVIS, ACS/WFC Special Requirements: SCHED 100%; SAME ORIENT AS 22									
	Fixed Targets	#	Name	Target Coordinates	Targ. Coord. Corrections	Fluxes	Miscellaneous			
	(22)	NGC4394	RA: 12 25 55.8337 (186.4826404d) Dec: +18 12 44.49 (18.21236d) Equinox: J2000		V=11	Reference Frame: ICRS				
	<i>Comments:</i> Category=GALAXY Description=[SPIRAL]									
Exposures	#	Label	Target	Config,Mode,Aperture	Spectral Els.	Opt. Params.	Special Reqs.	Groups	Exp. Time (Total)/[Actual Dur.]	Orbit
	1	F657N	(22) NGC4394	WFC3/UVIS, ACCUM, UVIS-FIX	F657N	FLASH=18	POS TARG 0,0	Prime + Parallel Group 1-2 in NGC4394_NB (59)	710 Secs (710 Secs) [==>]	[1]
	2	F814W-PA R	ANY	ACS/WFC, ACCUM, WFC	F814W			Prime + Parallel Group 1-2 in NGC4394_NB (59)	490 Secs (490 Secs) [==>]	[1]
	3	F657N	(22) NGC4394	WFC3/UVIS, ACCUM, UVIS-FIX	F657N	FLASH=18	POS TARG 0.092,1.803	Prime + Parallel Group 3-4 in NGC4394_NB (59)	710 Secs (710 Secs) [==>]	[1]
	4	F814W-PA R	ANY	ACS/WFC, ACCUM, WFC	F814W			Prime + Parallel Group 3-4 in NGC4394_NB (59)	490 Secs (490 Secs) [==>]	[1]
	5	F657N	(22) NGC4394	WFC3/UVIS, ACCUM, UVIS-FIX	F657N	FLASH=18	POS TARG 0.185,3.606	Prime + Parallel Group 5-6 in NGC4394_NB (59)	710 Secs (710 Secs) [==>]	[1]
	6	F606W-PA R	ANY	ACS/WFC, ACCUM, WFC	F606W			Prime + Parallel Group 5-6 in NGC4394_NB (59)	490 Secs (490 Secs) [==>]	[1]



Proposal 18103 - NGC4396 NB (60) - Anatomy of a fall: Dissecting the environment-driven transformation of late-type Virgo cluster g...

Wed Feb 04 15:01:59 GMT 2026

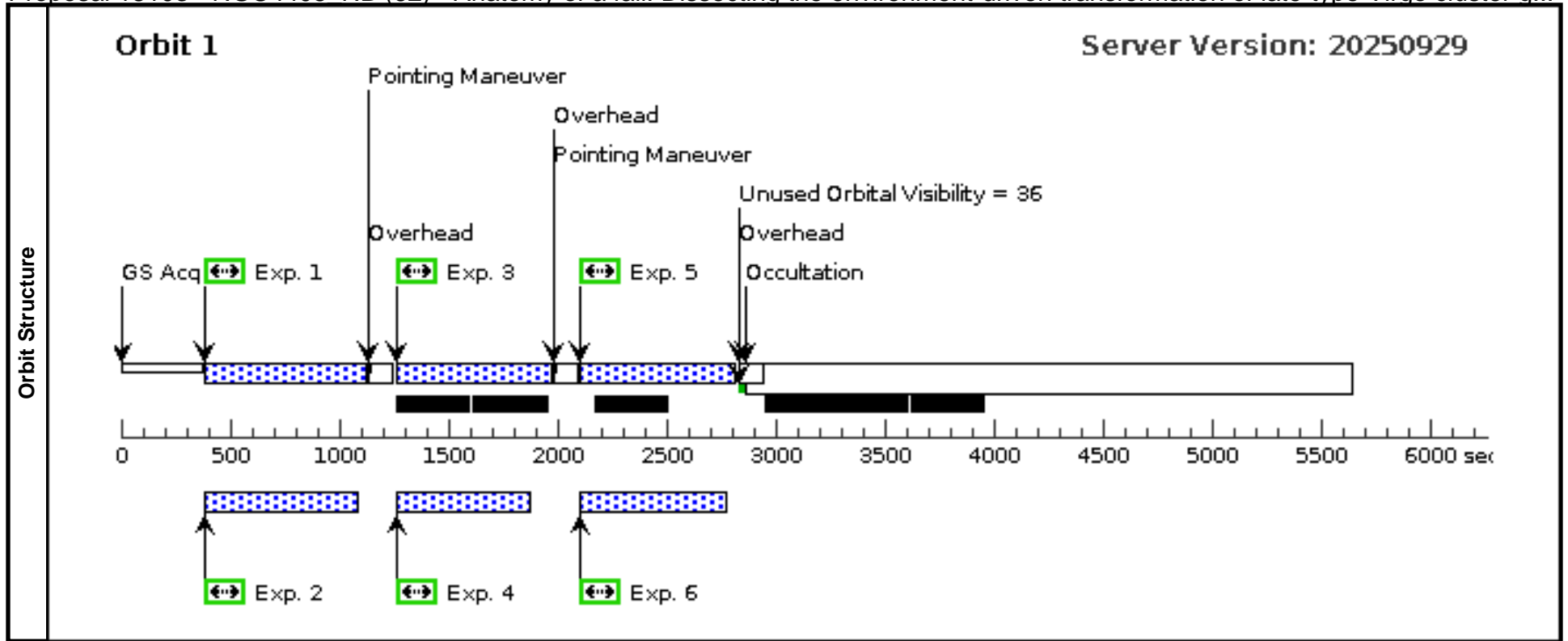
Visit	Proposal 18103, NGC4396_NB (60), completed Diagnostic Status: No Diagnostics Scientific Instruments: WFC3/UVIS, ACS/WFC Special Requirements: SCHED 100%; SAME ORIENT AS 23									
	Fixed Targets	#	Name	Target Coordinates	Targ. Coord. Corrections	Fluxes	Miscellaneous			
		(23)	NGC4396	RA: 12 25 59.6771 (186.4986546d) Dec: +15 40 11.66 (15.66991d) Equinox: J2000		V=11	Reference Frame: ICRS			
	<i>Comments:</i> Category=GALAXY Description=[SPIRAL]									
Exposures	#	Label	Target	Config,Mode,Aperture	Spectral Els.	Opt. Params.	Special Reqs.	Groups	Exp. Time (Total)/[Actual Dur.]	Orbit
	1	F657N	(23) NGC4396	WFC3/UVIS, ACCUM, UVIS-FIX	F657N	FLASH=18	POS TARG 0,0	Prime + Parallel Group 1-2 in NGC4396_NB (60)	710 Secs (710 Secs) [==>]	[1]
	2	F814W-PA R	ANY	ACS/WFC, ACCUM, WFC	F814W			Prime + Parallel Group 1-2 in NGC4396_NB (60)	490 Secs (490 Secs) [==>]	[1]
	3	F657N	(23) NGC4396	WFC3/UVIS, ACCUM, UVIS-FIX	F657N	FLASH=18	POS TARG 0.092,1.803	Prime + Parallel Group 3-4 in NGC4396_NB (60)	710 Secs (710 Secs) [==>]	[1]
	4	F814W-PA R	ANY	ACS/WFC, ACCUM, WFC	F814W			Prime + Parallel Group 3-4 in NGC4396_NB (60)	490 Secs (490 Secs) [==>]	[1]
	5	F657N	(23) NGC4396	WFC3/UVIS, ACCUM, UVIS-FIX	F657N	FLASH=18	POS TARG 0.185,3.606	Prime + Parallel Group 5-6 in NGC4396_NB (60)	710 Secs (710 Secs) [==>]	[1]
	6	F606W-PA R	ANY	ACS/WFC, ACCUM, WFC	F606W			Prime + Parallel Group 5-6 in NGC4396_NB (60)	490 Secs (490 Secs) [==>]	[1]



Proposal 18103 - NGC4405_NB (62) - Anatomy of a fall: Dissecting the environment-driven transformation of late-type Virgo cluster g...

Wed Feb 04 15:01:59 GMT 2026

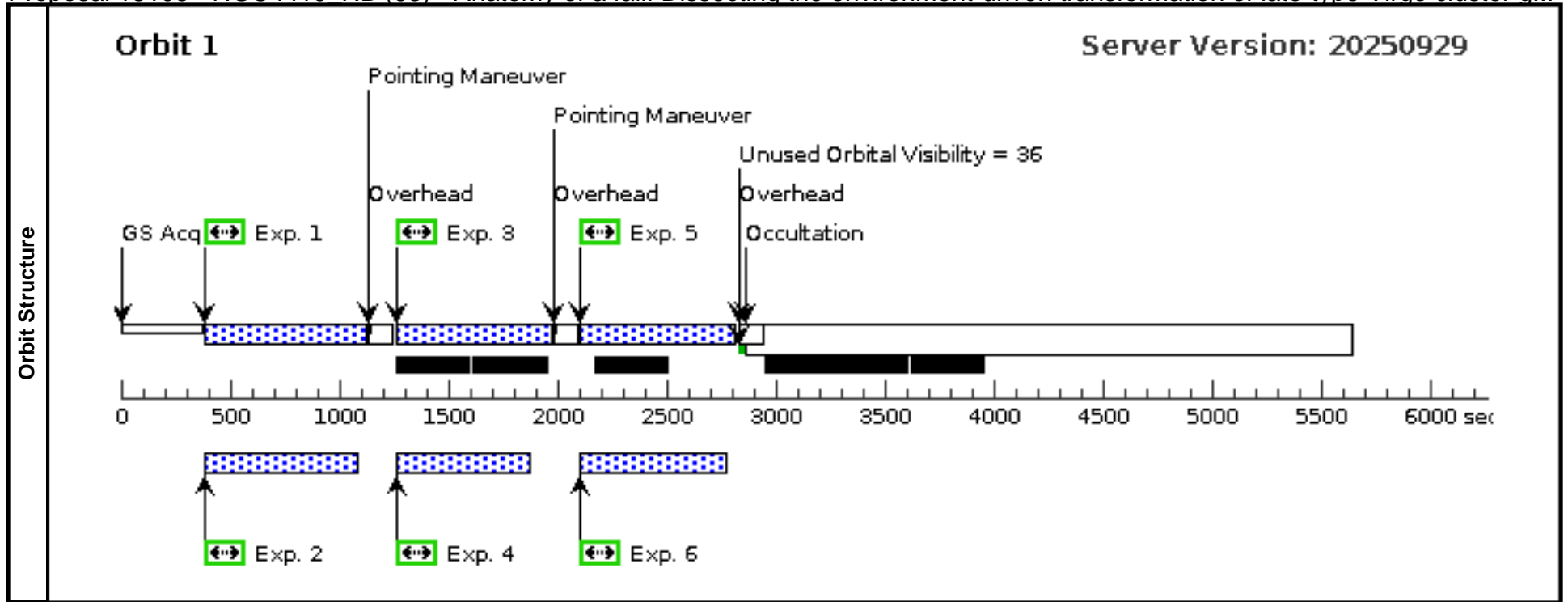
Visit	Proposal 18103, NGC4405_NB (62), scheduling Diagnostic Status: No Diagnostics Scientific Instruments: WFC3/UVIS, ACS/WFC Special Requirements: SCHED 100%; SAME ORIENT AS 25									
	Fixed Targets	#	Name	Target Coordinates	Targ. Coord. Corrections	Fluxes	Miscellaneous			
	(25)	NGC4405	RA: 12 26 7.1372 (186.5297383d) Dec: +16 10 51.58 (16.18099d) Equinox: J2000		V=11	Reference Frame: ICRS				
	<i>Comments:</i> Category=GALAXY Description=[SPIRAL]									
Exposures	#	Label	Target	Config,Mode,Aperture	Spectral Els.	Opt. Params.	Special Reqs.	Groups	Exp. Time (Total)/[Actual Dur.]	Orbit
	1	F657N	(25) NGC4405	WFC3/UVIS, ACCUM, UVIS-FIX	F657N	FLASH=18	POS TARG 0,0	Prime + Parallel Group 1-2 in NGC4405_NB (62)	710 Secs (710 Secs) [==>]	[1]
	2	F814W-PA R	ANY	ACS/WFC, ACCUM, WFC	F814W			Prime + Parallel Group 1-2 in NGC4405_NB (62)	490 Secs (490 Secs) [==>]	[1]
	3	F657N	(25) NGC4405	WFC3/UVIS, ACCUM, UVIS-FIX	F657N	FLASH=18	POS TARG 0.172,1.803	Prime + Parallel Group 3-4 in NGC4405_NB (62)	710 Secs (710 Secs) [==>]	[1]
	4	F814W-PA R	ANY	ACS/WFC, ACCUM, WFC	F814W			Prime + Parallel Group 3-4 in NGC4405_NB (62)	490 Secs (490 Secs) [==>]	[1]
	5	F657N	(25) NGC4405	WFC3/UVIS, ACCUM, UVIS-FIX	F657N	FLASH=18	POS TARG 0.343,3.606	Prime + Parallel Group 5-6 in NGC4405_NB (62)	710 Secs (710 Secs) [==>]	[1]
	6	F606W-PA R	ANY	ACS/WFC, ACCUM, WFC	F606W			Prime + Parallel Group 5-6 in NGC4405_NB (62)	490 Secs (490 Secs) [==>]	[1]



Proposal 18103 - NGC4419 NB (63) - Anatomy of a fall: Dissecting the environment-driven transformation of late-type Virgo cluster g...

Wed Feb 04 15:01:59 GMT 2026

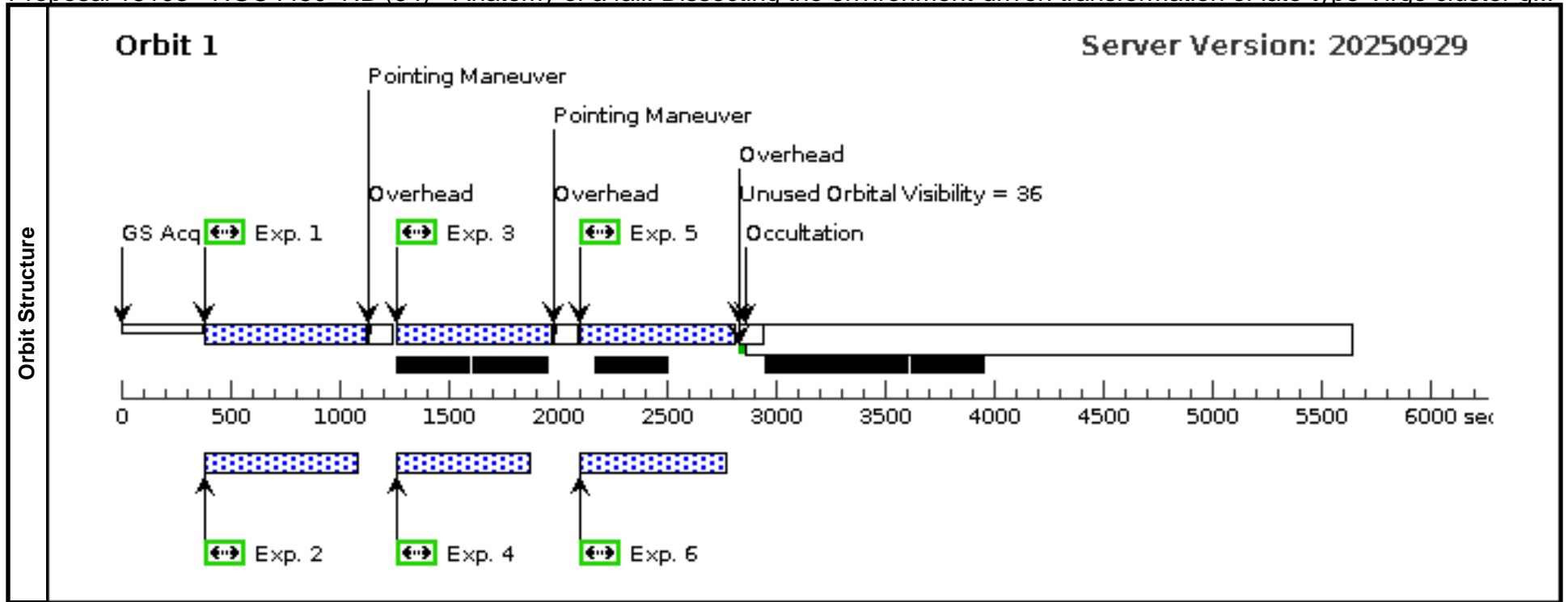
Visit	Proposal 18103, NGC4419_NB (63), scheduling Diagnostic Status: No Diagnostics Scientific Instruments: WFC3/UVIS, ACS/WFC Special Requirements: SCHED 100%; SAME ORIENT AS 26									
	Fixed Targets	#	Name	Target Coordinates	Targ. Coord. Corrections	Fluxes	Miscellaneous			
	(26)	NGC4419	RA: 12 26 56.4505 (186.7352104d) Dec: +15 02 50.69 (15.04741d) Equinox: J2000		V=11	Reference Frame: ICRS				
	<i>Comments:</i> Category=GALAXY Description=[SPIRAL]									
Exposures	#	Label	Target	Config,Mode,Aperture	Spectral Els.	Opt. Params.	Special Reqs.	Groups	Exp. Time (Total)/[Actual Dur.]	Orbit
	1	F656N	(26) NGC4419	WFC3/UVIS, ACCUM, UVIS-FIX	F656N	FLASH=18	POS TARG 0,0	Prime + Parallel Group 1-2 in NGC4419_NB (63)	710 Secs (710 Secs) [==>]	[1]
	2	F814W-PA R	ANY	ACS/WFC, ACCUM, WFC	F814W			Prime + Parallel Group 1-2 in NGC4419_NB (63)	490 Secs (490 Secs) [==>]	[1]
	3	F656N	(26) NGC4419	WFC3/UVIS, ACCUM, UVIS-FIX	F656N	FLASH=18	POS TARG 0.172,1.803	Prime + Parallel Group 3-4 in NGC4419_NB (63)	710 Secs (710 Secs) [==>]	[1]
	4	F814W-PA R	ANY	ACS/WFC, ACCUM, WFC	F814W			Prime + Parallel Group 3-4 in NGC4419_NB (63)	490 Secs (490 Secs) [==>]	[1]
	5	F656N	(26) NGC4419	WFC3/UVIS, ACCUM, UVIS-FIX	F656N	FLASH=18	POS TARG 0.343,3.606	Prime + Parallel Group 5-6 in NGC4419_NB (63)	710 Secs (710 Secs) [==>]	[1]
	6	F606W-PA R	ANY	ACS/WFC, ACCUM, WFC	F606W			Prime + Parallel Group 5-6 in NGC4419_NB (63)	490 Secs (490 Secs) [==>]	[1]



Proposal 18103 - NGC4450_NB (64) - Anatomy of a fall: Dissecting the environment-driven transformation of late-type Virgo cluster g...

Wed Feb 04 15:01:59 GMT 2026

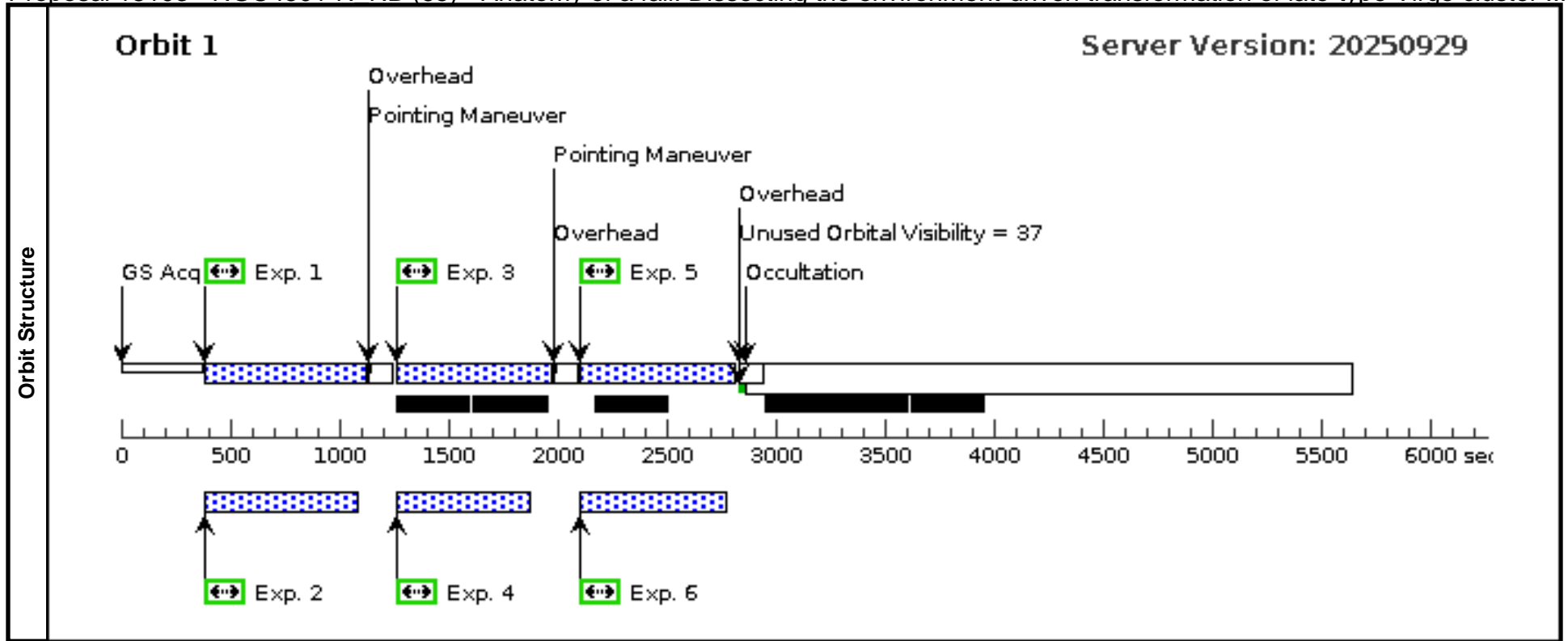
Visit	Proposal 18103, NGC4450_NB (64), scheduling Diagnostic Status: No Diagnostics Scientific Instruments: WFC3/UVIS, ACS/WFC Special Requirements: SCHED 100%; SAME ORIENT AS 27									
	Fixed Targets	#	Name	Target Coordinates	Targ. Coord. Corrections	Fluxes	Miscellaneous			
	(27)	NGC4450	RA: 12 28 30.6937 (187.1278904d) Dec: +17 04 59.38 (17.08316d) Equinox: J2000		V=11	Reference Frame: ICRS				
	<i>Comments:</i> Category=GALAXY Description=[SPIRAL]									
Exposures	#	Label	Target	Config,Mode,Aperture	Spectral Els.	Opt. Params.	Special Reqs.	Groups	Exp. Time (Total)/[Actual Dur.]	Orbit
	1	F657N	(27) NGC4450	WFC3/UVIS, ACCUM, UVIS-FIX	F657N	FLASH=18	POS TARG 0,0	Prime + Parallel Group 1-2 in NGC4450_NB (64)	710 Secs (710 Secs) [==>]	[1]
	2	F814W-PA R	ANY	ACS/WFC, ACCUM, WFC	F814W			Prime + Parallel Group 1-2 in NGC4450_NB (64)	490 Secs (490 Secs) [==>]	[1]
	3	F657N	(27) NGC4450	WFC3/UVIS, ACCUM, UVIS-FIX	F657N	FLASH=18	POS TARG 0.172,1.803	Prime + Parallel Group 3-4 in NGC4450_NB (64)	710 Secs (710 Secs) [==>]	[1]
	4	F814W-PA R	ANY	ACS/WFC, ACCUM, WFC	F814W			Prime + Parallel Group 3-4 in NGC4450_NB (64)	490 Secs (490 Secs) [==>]	[1]
	5	F657N	(27) NGC4450	WFC3/UVIS, ACCUM, UVIS-FIX	F657N	FLASH=18	POS TARG 0.343,3.606	Prime + Parallel Group 5-6 in NGC4450_NB (64)	710 Secs (710 Secs) [==>]	[1]
	6	F606W-PA R	ANY	ACS/WFC, ACCUM, WFC	F606W			Prime + Parallel Group 5-6 in NGC4450_NB (64)	490 Secs (490 Secs) [==>]	[1]



Proposal 18103 - NGC4501-N_NB (65) - Anatomy of a fall: Dissecting the environment-driven transformation of late-type Virgo cluster ...

Wed Feb 04 15:01:59 GMT 2026

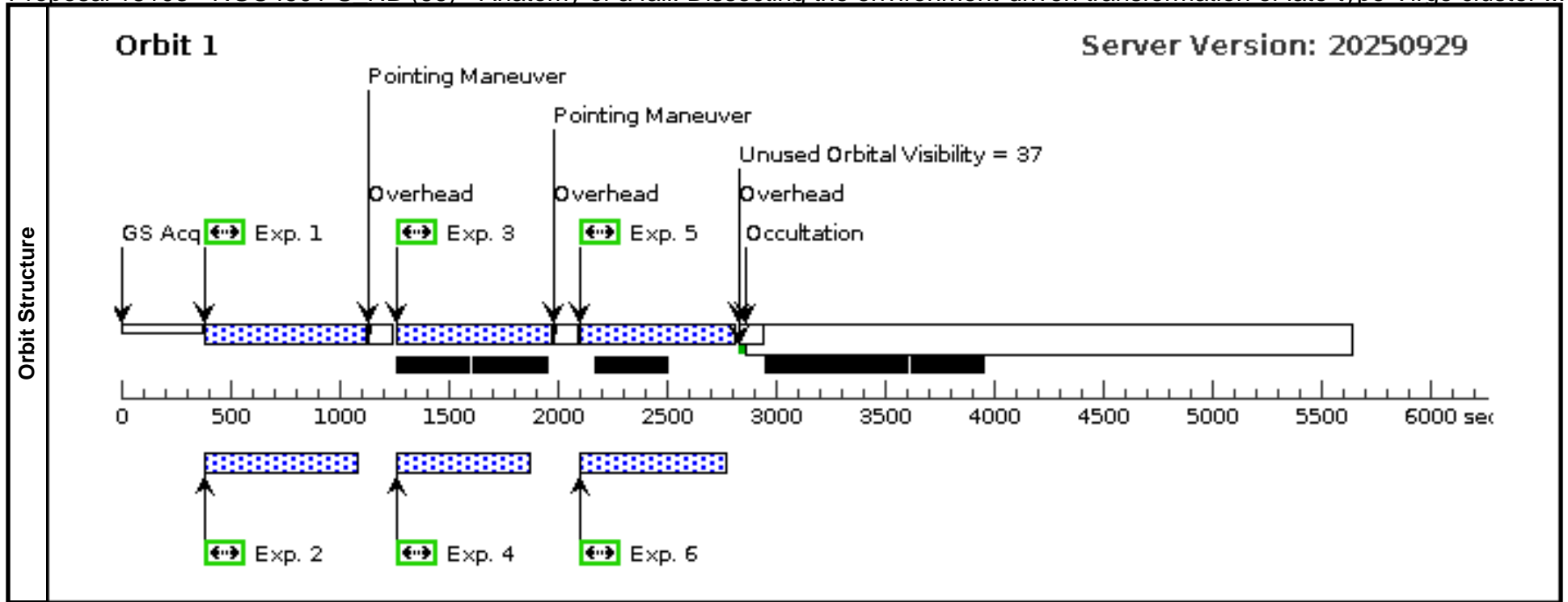
Visit	Proposal 18103, NGC4501-N_NB (65), scheduling Diagnostic Status: No Diagnostics Scientific Instruments: WFC3/UVIS, ACS/WFC Special Requirements: SCHED 100%; SAME ORIENT AS 28									
	Fixed Targets	#	Name	Target Coordinates	Targ. Coord. Corrections	Fluxes	Miscellaneous			
	(28)	NGC4501-N	RA: 12 31 56.6255 (187.9859396d) Dec: +14 26 13.81 (14.43717d) Equinox: J2000		V=11	Reference Frame: ICRS				
	<i>Comments:</i> Category=GALAXY Description=[SPIRAL]									
Exposures	#	Label	Target	Config,Mode,Aperture	Spectral Els.	Opt. Params.	Special Reqs.	Groups	Exp. Time (Total)/[Actual Dur.]	Orbit
	1	F657N	(28) NGC4501-N	WFC3/UVIS, ACCUM, UVIS-FIX	F657N	FLASH=18	POS TARG 0,0	Prime + Parallel Group 1-2 in NGC4501-N_NB (65)	710 Secs (710 Secs) [==>]	[1]
	2	F814W-PA R	ANY	ACS/WFC, ACCUM, WFC	F814W			Prime + Parallel Group 1-2 in NGC4501-N_NB (65)	490 Secs (490 Secs) [==>]	[1]
	3	F657N	(28) NGC4501-N	WFC3/UVIS, ACCUM, UVIS-FIX	F657N	FLASH=18	POS TARG 0.172,1.803	Prime + Parallel Group 3-4 in NGC4501-N_NB (65)	710 Secs (710 Secs) [==>]	[1]
	4	F814W-PA R	ANY	ACS/WFC, ACCUM, WFC	F814W			Prime + Parallel Group 3-4 in NGC4501-N_NB (65)	490 Secs (490 Secs) [==>]	[1]
	5	F657N	(28) NGC4501-N	WFC3/UVIS, ACCUM, UVIS-FIX	F657N	FLASH=18	POS TARG 0.343,3.606	Prime + Parallel Group 5-6 in NGC4501-N_NB (65)	710 Secs (710 Secs) [==>]	[1]
	6	F606W-PA R	ANY	ACS/WFC, ACCUM, WFC	F606W			Prime + Parallel Group 5-6 in NGC4501-N_NB (65)	490 Secs (490 Secs) [==>]	[1]



Proposal 18103 - NGC4501-S_NB (66) - Anatomy of a fall: Dissecting the environment-driven transformation of late-type Virgo cluster ...

Wed Feb 04 15:01:59 GMT 2026

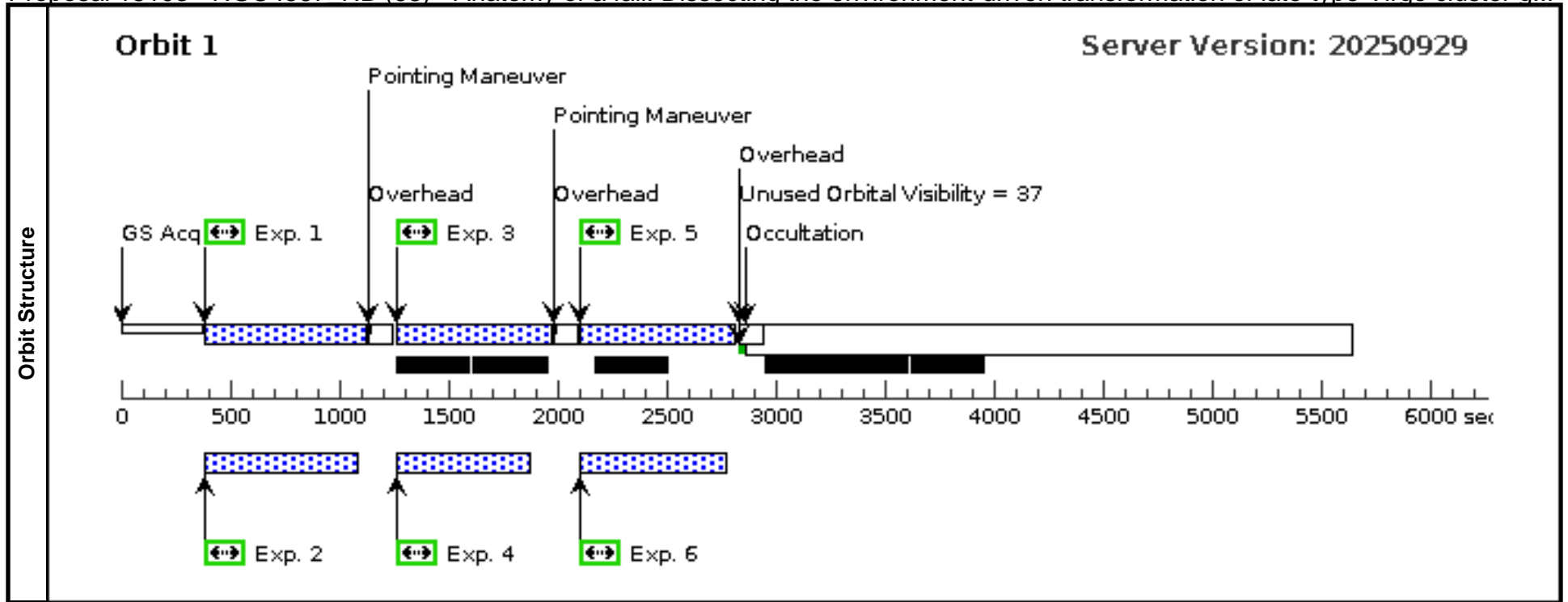
Visit	Proposal 18103, NGC4501-S_NB (66), scheduling Diagnostic Status: No Diagnostics Scientific Instruments: WFC3/UVIS, ACS/WFC Special Requirements: SCHED 100%; SAME ORIENT AS 29									
	Fixed Targets	#	Name	Target Coordinates	Targ. Coord. Corrections	Fluxes	Miscellaneous			
	(29)	NGC4501-S	RA: 12 32 3.7964 (188.0158183d) Dec: +14 24 17.00 (14.40472d) Equinox: J2000		V=11	Reference Frame: ICRS				
	<i>Comments:</i> Category=GALAXY Description=[SPIRAL]									
Exposures	#	Label	Target	Config,Mode,Aperture	Spectral Els.	Opt. Params.	Special Reqs.	Groups	Exp. Time (Total)/[Actual Dur.]	Orbit
	1	F657N	(29) NGC4501-S	WFC3/UVIS, ACCUM, UVIS-FIX	F657N	FLASH=18	POS TARG 0,0	Prime + Parallel Group 1-2 in NGC4501-S_NB (66)	710 Secs (710 Secs) [==>]	[1]
	2	F814W-PA R	ANY	ACS/WFC, ACCUM, WFC	F814W			Prime + Parallel Group 1-2 in NGC4501-S_NB (66)	490 Secs (490 Secs) [==>]	[1]
	3	F657N	(29) NGC4501-S	WFC3/UVIS, ACCUM, UVIS-FIX	F657N	FLASH=18	POS TARG 0.172,1.803	Prime + Parallel Group 3-4 in NGC4501-S_NB (66)	710 Secs (710 Secs) [==>]	[1]
	4	F814W-PA R	ANY	ACS/WFC, ACCUM, WFC	F814W			Prime + Parallel Group 3-4 in NGC4501-S_NB (66)	490 Secs (490 Secs) [==>]	[1]
	5	F657N	(29) NGC4501-S	WFC3/UVIS, ACCUM, UVIS-FIX	F657N	FLASH=18	POS TARG 0.343,3.606	Prime + Parallel Group 5-6 in NGC4501-S_NB (66)	710 Secs (710 Secs) [==>]	[1]
	6	F606W-PA R	ANY	ACS/WFC, ACCUM, WFC	F606W			Prime + Parallel Group 5-6 in NGC4501-S_NB (66)	490 Secs (490 Secs) [==>]	[1]



Proposal 18103 - NGC4567 NB (68) - Anatomy of a fall: Dissecting the environment-driven transformation of late-type Virgo cluster g...

Wed Feb 04 15:01:59 GMT 2026

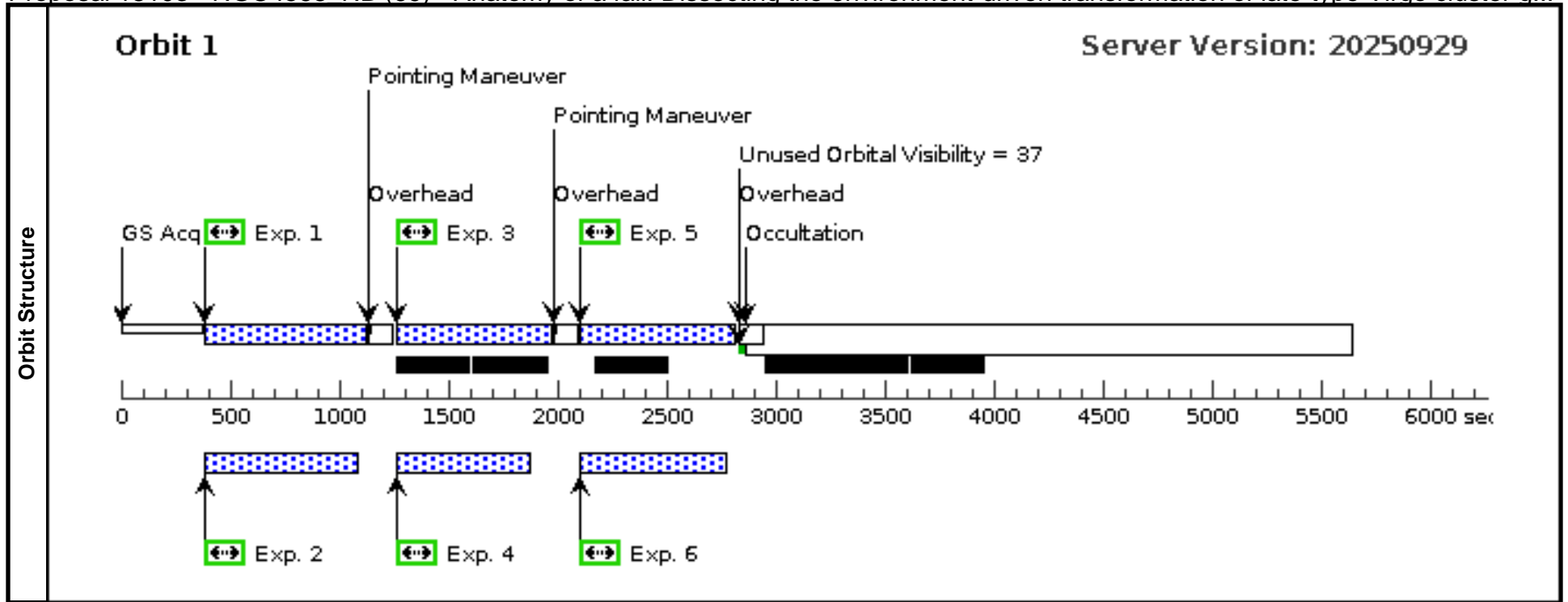
Visit	Proposal 18103, NGC4567_NB (68), scheduling Diagnostic Status: No Diagnostics Scientific Instruments: WFC3/UVIS, ACS/WFC Special Requirements: SCHED 100%; SAME ORIENT AS 31									
	Fixed Targets	#	Name	Target Coordinates	Targ. Coord. Corrections	Fluxes	Miscellaneous			
	(31)	NGC4567	RA: 12 36 31.9405 (189.1330854d) Dec: +11 15 19.80 (11.25550d) Equinox: J2000		V=11	Reference Frame: ICRS				
	<i>Comments:</i> Category=GALAXY Description=[SPIRAL]									
Exposures	#	Label	Target	Config,Mode,Aperture	Spectral Els.	Opt. Params.	Special Reqs.	Groups	Exp. Time (Total)/[Actual Dur.]	Orbit
	1	F657N	(31) NGC4567	WFC3/UVIS, ACCUM, UVIS-FIX	F657N	FLASH=18	POS TARG 0,0	Prime + Parallel Group 1-2 in NGC4567_NB (68)	710 Secs (710 Secs) [==>]	[1]
	2	F814W-PA R	ANY	ACS/WFC, ACCUM, WFC	F814W			Prime + Parallel Group 1-2 in NGC4567_NB (68)	490 Secs (490 Secs) [==>]	[1]
	3	F657N	(31) NGC4567	WFC3/UVIS, ACCUM, UVIS-FIX	F657N	FLASH=18	POS TARG 0.172,1.803	Prime + Parallel Group 3-4 in NGC4567_NB (68)	710 Secs (710 Secs) [==>]	[1]
	4	F814W-PA R	ANY	ACS/WFC, ACCUM, WFC	F814W			Prime + Parallel Group 3-4 in NGC4567_NB (68)	490 Secs (490 Secs) [==>]	[1]
	5	F657N	(31) NGC4567	WFC3/UVIS, ACCUM, UVIS-FIX	F657N	FLASH=18	POS TARG 0.343,3.606	Prime + Parallel Group 5-6 in NGC4567_NB (68)	710 Secs (710 Secs) [==>]	[1]
	6	F606W-PA R	ANY	ACS/WFC, ACCUM, WFC	F606W			Prime + Parallel Group 5-6 in NGC4567_NB (68)	490 Secs (490 Secs) [==>]	[1]



Proposal 18103 - NGC4568_NB (69) - Anatomy of a fall: Dissecting the environment-driven transformation of late-type Virgo cluster g...

Wed Feb 04 15:02:00 GMT 2026

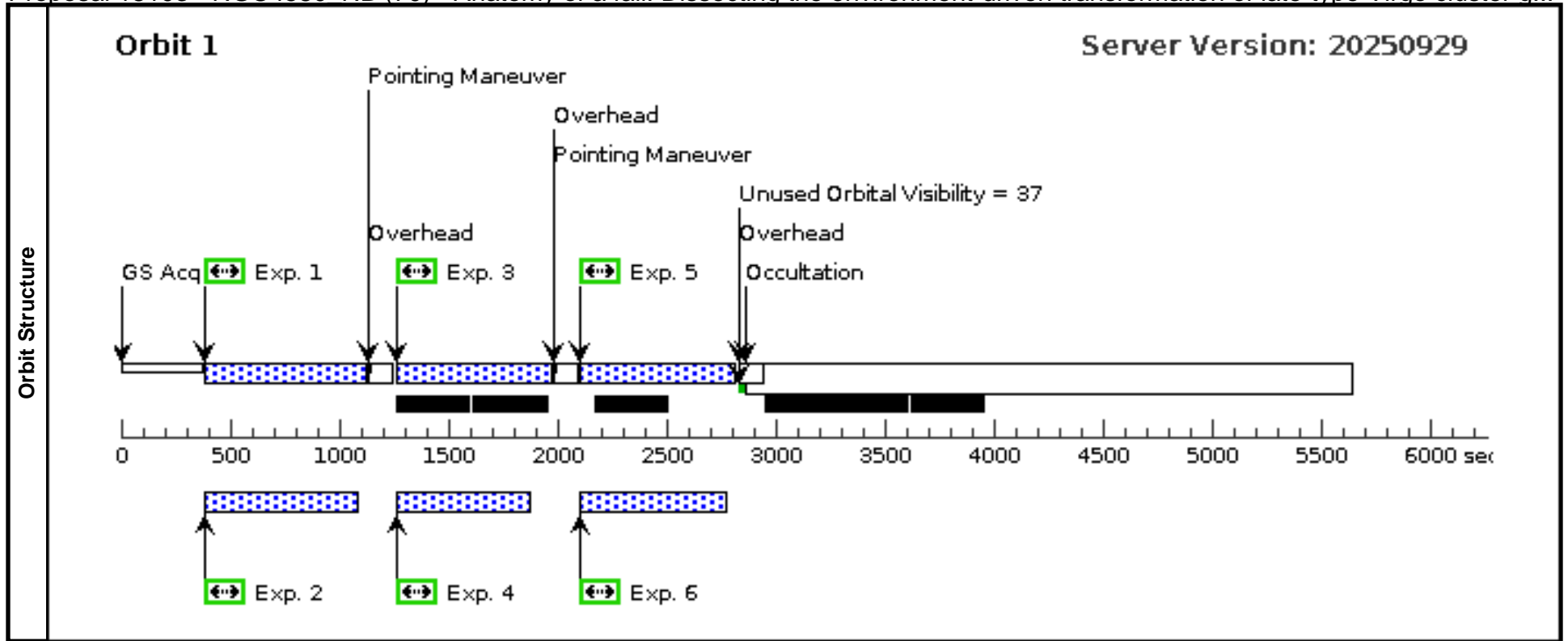
Visit	Proposal 18103, NGC4568_NB (69), scheduling Diagnostic Status: No Diagnostics Scientific Instruments: WFC3/UVIS, ACS/WFC Special Requirements: SCHED 100%; SAME ORIENT AS 32									
	Fixed Targets	#	Name	Target Coordinates	Targ. Coord. Corrections	Fluxes	Miscellaneous			
	(32)	NGC4568	RA: 12 36 33.1504 (189.1381267d) Dec: +11 13 30.90 (11.22525d) Equinox: J2000		V=11	Reference Frame: ICRS				
	<i>Comments:</i> Category=GALAXY Description=[SPIRAL]									
Exposures	#	Label	Target	Config,Mode,Aperture	Spectral Els.	Opt. Params.	Special Reqs.	Groups	Exp. Time (Total)/[Actual Dur.]	Orbit
	1	F657N	(32) NGC4568	WFC3/UVIS, ACCUM, UVIS-FIX	F657N	FLASH=18	POS TARG 0,0	Prime + Parallel Group 1-2 in NGC4568_NB (69)	710 Secs (710 Secs) [==>]	[1]
	2	F814W-PA R	ANY	ACS/WFC, ACCUM, WFC	F814W			Prime + Parallel Group 1-2 in NGC4568_NB (69)	490 Secs (490 Secs) [==>]	[1]
	3	F657N	(32) NGC4568	WFC3/UVIS, ACCUM, UVIS-FIX	F657N	FLASH=18	POS TARG 0.172,1.803	Prime + Parallel Group 3-4 in NGC4568_NB (69)	710 Secs (710 Secs) [==>]	[1]
	4	F814W-PA R	ANY	ACS/WFC, ACCUM, WFC	F814W			Prime + Parallel Group 3-4 in NGC4568_NB (69)	490 Secs (490 Secs) [==>]	[1]
	5	F657N	(32) NGC4568	WFC3/UVIS, ACCUM, UVIS-FIX	F657N	FLASH=18	POS TARG 0.343,3.606	Prime + Parallel Group 5-6 in NGC4568_NB (69)	710 Secs (710 Secs) [==>]	[1]
	6	F606W-PA R	ANY	ACS/WFC, ACCUM, WFC	F606W			Prime + Parallel Group 5-6 in NGC4568_NB (69)	490 Secs (490 Secs) [==>]	[1]



Proposal 18103 - NGC4580_NB (70) - Anatomy of a fall: Dissecting the environment-driven transformation of late-type Virgo cluster g...

Wed Feb 04 15:02:00 GMT 2026

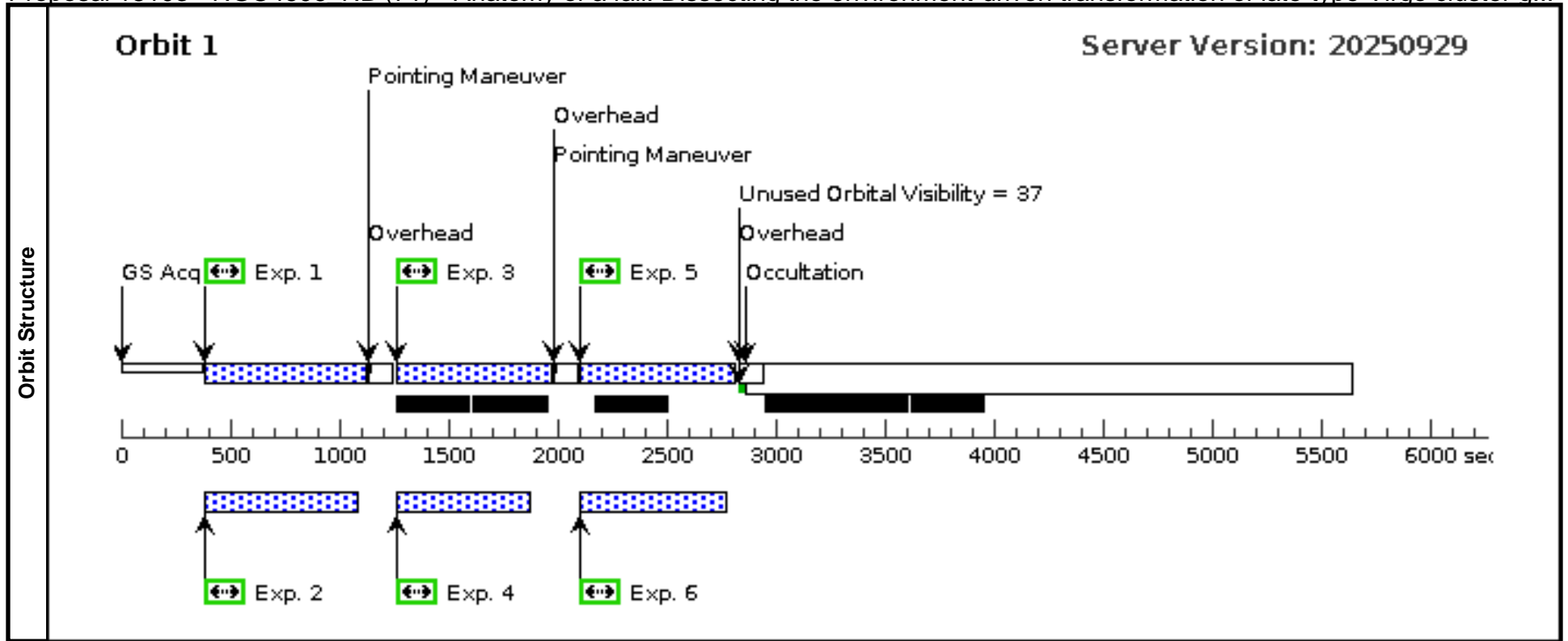
Visit	Proposal 18103, NGC4580_NB (70), scheduling Diagnostic Status: No Diagnostics Scientific Instruments: WFC3/UVIS, ACS/WFC Special Requirements: SCHED 100%; SAME ORIENT AS 33									
	Fixed Targets	#	Name	Target Coordinates	Targ. Coord. Corrections	Fluxes	Miscellaneous			
	(33)	NGC4580	RA: 12 37 48.3754 (189.4515642d) Dec: +05 22 6.63 (5.36851d) Equinox: J2000		V=11	Reference Frame: ICRS				
	<i>Comments:</i> Category=GALAXY Description=[SPIRAL]									
Exposures	#	Label	Target	Config,Mode,Aperture	Spectral Els.	Opt. Params.	Special Reqs.	Groups	Exp. Time (Total)/[Actual Dur.]	Orbit
	1	F658N	(33) NGC4580	WFC3/UVIS, ACCUM, UVIS-FIX	F658N	FLASH=18	POS TARG 0,0	Prime + Parallel Group 1-2 in NGC4580_NB (70)	710 Secs (710 Secs) [==>]	[1]
	2	F814W-PA R	ANY	ACS/WFC, ACCUM, WFC	F814W			Prime + Parallel Group 1-2 in NGC4580_NB (70)	490 Secs (490 Secs) [==>]	[1]
	3	F658N	(33) NGC4580	WFC3/UVIS, ACCUM, UVIS-FIX	F658N	FLASH=18	POS TARG 0.172,1.803	Prime + Parallel Group 3-4 in NGC4580_NB (70)	710 Secs (710 Secs) [==>]	[1]
	4	F814W-PA R	ANY	ACS/WFC, ACCUM, WFC	F814W			Prime + Parallel Group 3-4 in NGC4580_NB (70)	490 Secs (490 Secs) [==>]	[1]
	5	F658N	(33) NGC4580	WFC3/UVIS, ACCUM, UVIS-FIX	F658N	FLASH=18	POS TARG 0.343,3.606	Prime + Parallel Group 5-6 in NGC4580_NB (70)	710 Secs (710 Secs) [==>]	[1]
	6	F606W-PA R	ANY	ACS/WFC, ACCUM, WFC	F606W			Prime + Parallel Group 5-6 in NGC4580_NB (70)	490 Secs (490 Secs) [==>]	[1]



Proposal 18103 - NGC4606 NB (71) - Anatomy of a fall: Dissecting the environment-driven transformation of late-type Virgo cluster g...

Wed Feb 04 15:02:00 GMT 2026

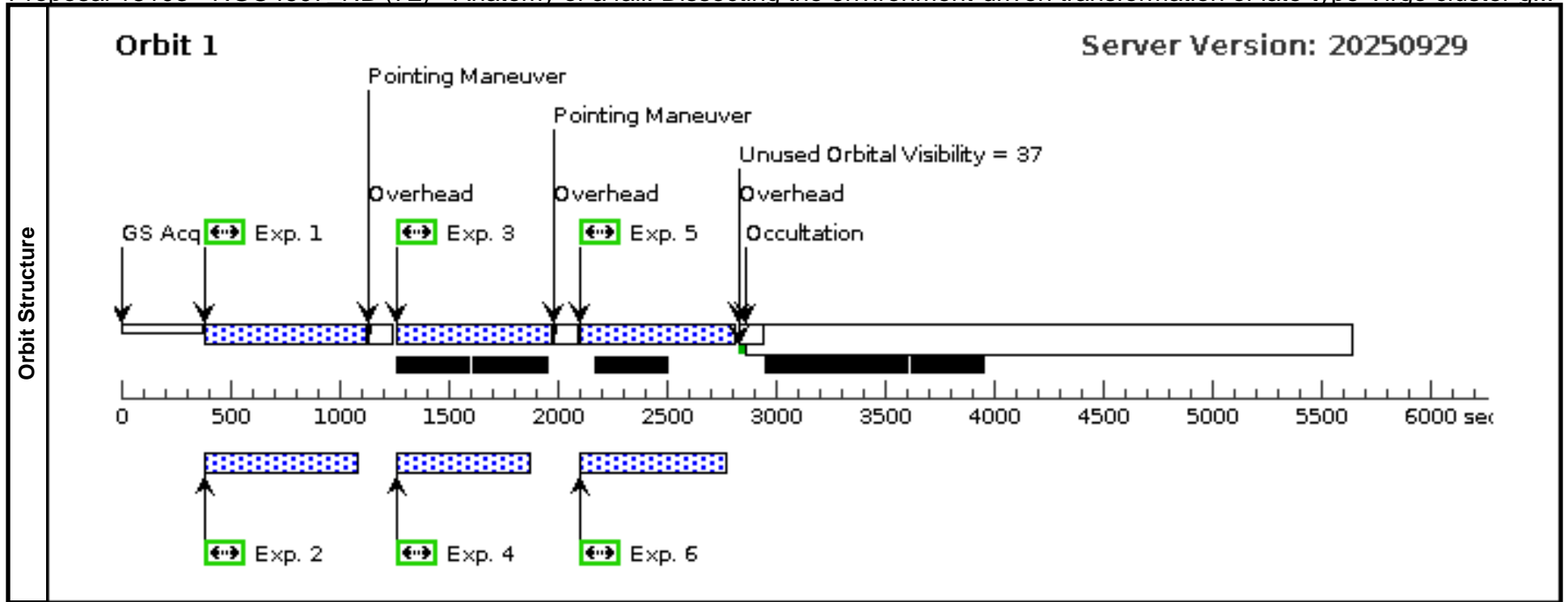
Visit	Proposal 18103, NGC4606_NB (71), scheduling Diagnostic Status: No Diagnostics Scientific Instruments: WFC3/UVIS, ACS/WFC Special Requirements: SCHED 100%; SAME ORIENT AS 34									
	Fixed Targets	#	Name	Target Coordinates	Targ. Coord. Corrections	Fluxes	Miscellaneous			
	(34)	NGC4606	RA: 12 40 57.5570 (190.2398208d) Dec: +11 54 43.87 (11.91219d) Equinox: J2000		V=11	Reference Frame: ICRS				
	<i>Comments:</i> Category=GALAXY Description=[SPIRAL]									
Exposures	#	Label	Target	Config,Mode,Aperture	Spectral Els.	Opt. Params.	Special Reqs.	Groups	Exp. Time (Total)/[Actual Dur.]	Orbit
	1	F657N	(34) NGC4606	WFC3/UVIS, ACCUM, UVIS-FIX	F657N	FLASH=18	POS TARG 0,0	Prime + Parallel Group 1-2 in NGC4606_NB (71)	710 Secs (710 Secs) [==>]	[1]
	2	F814W-PA R	ANY	ACS/WFC, ACCUM, WFC	F814W			Prime + Parallel Group 1-2 in NGC4606_NB (71)	490 Secs (490 Secs) [==>]	[1]
	3	F657N	(34) NGC4606	WFC3/UVIS, ACCUM, UVIS-FIX	F657N	FLASH=18	POS TARG 0.172,1.803	Prime + Parallel Group 3-4 in NGC4606_NB (71)	710 Secs (710 Secs) [==>]	[1]
	4	F814W-PA R	ANY	ACS/WFC, ACCUM, WFC	F814W			Prime + Parallel Group 3-4 in NGC4606_NB (71)	490 Secs (490 Secs) [==>]	[1]
	5	F657N	(34) NGC4606	WFC3/UVIS, ACCUM, UVIS-FIX	F657N	FLASH=18	POS TARG 0.343,3.606	Prime + Parallel Group 5-6 in NGC4606_NB (71)	710 Secs (710 Secs) [==>]	[1]
	6	F606W-PA R	ANY	ACS/WFC, ACCUM, WFC	F606W			Prime + Parallel Group 5-6 in NGC4606_NB (71)	490 Secs (490 Secs) [==>]	[1]



Proposal 18103 - NGC4607 NB (72) - Anatomy of a fall: Dissecting the environment-driven transformation of late-type Virgo cluster g...

Wed Feb 04 15:02:00 GMT 2026

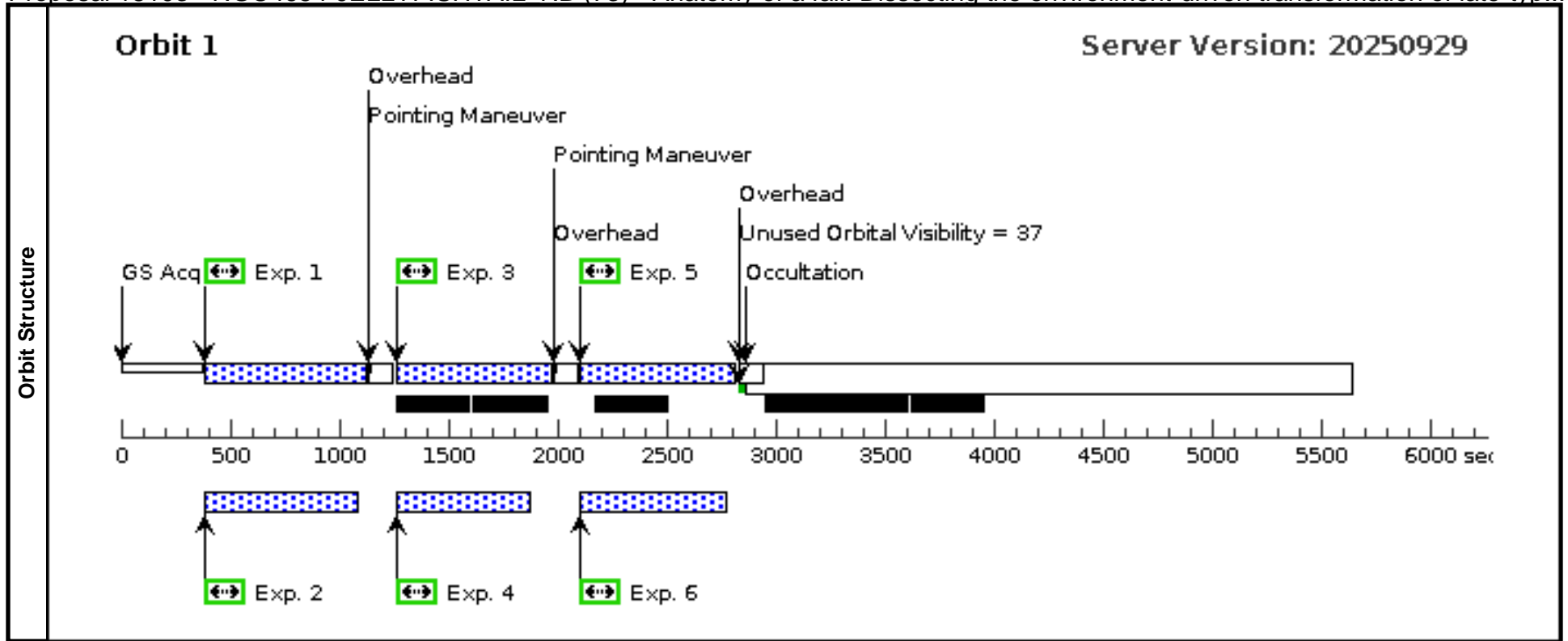
Visit	Proposal 18103, NGC4607_NB (72), scheduling Diagnostic Status: No Diagnostics Scientific Instruments: WFC3/UVIS, ACS/WFC Special Requirements: SCHED 100%; SAME ORIENT AS 35									
	Fixed Targets	#	Name	Target Coordinates	Targ. Coord. Corrections	Fluxes	Miscellaneous			
	(35)	NGC4607	RA: 12 41 12.4070 (190.3016958d) Dec: +11 53 11.86 (11.88663d) Equinox: J2000		V=11	Reference Frame: ICRS				
	<i>Comments:</i> Category=GALAXY Description=[SPIRAL]									
Exposures	#	Label	Target	Config,Mode,Aperture	Spectral Els.	Opt. Params.	Special Reqs.	Groups	Exp. Time (Total)/[Actual Dur.]	Orbit
	1	F657N	(35) NGC4607	WFC3/UVIS, ACCUM, UVIS-FIX	F657N	FLASH=18	POS TARG 0,0	Prime + Parallel Group 1-2 in NGC4607_NB (72)	710 Secs (710 Secs) [==>]	[1]
	2	F814W-PA R	ANY	ACS/WFC, ACCUM, WFC	F814W			Prime + Parallel Group 1-2 in NGC4607_NB (72)	490 Secs (490 Secs) [==>]	[1]
	3	F657N	(35) NGC4607	WFC3/UVIS, ACCUM, UVIS-FIX	F657N	FLASH=18	POS TARG 0.172,1.803	Prime + Parallel Group 3-4 in NGC4607_NB (72)	710 Secs (710 Secs) [==>]	[1]
	4	F814W-PA R	ANY	ACS/WFC, ACCUM, WFC	F814W			Prime + Parallel Group 3-4 in NGC4607_NB (72)	490 Secs (490 Secs) [==>]	[1]
	5	F657N	(35) NGC4607	WFC3/UVIS, ACCUM, UVIS-FIX	F657N	FLASH=18	POS TARG 0.343,3.606	Prime + Parallel Group 5-6 in NGC4607_NB (72)	710 Secs (710 Secs) [==>]	[1]
	6	F606W-PA R	ANY	ACS/WFC, ACCUM, WFC	F606W			Prime + Parallel Group 5-6 in NGC4607_NB (72)	490 Secs (490 Secs) [==>]	[1]



Proposal 18103 - NGC4654-JELLYFISHTAIL_NB (73) - Anatomy of a fall: Dissecting the environment-driven transformation of late-typ...

Wed Feb 04 15:02:00 GMT 2026

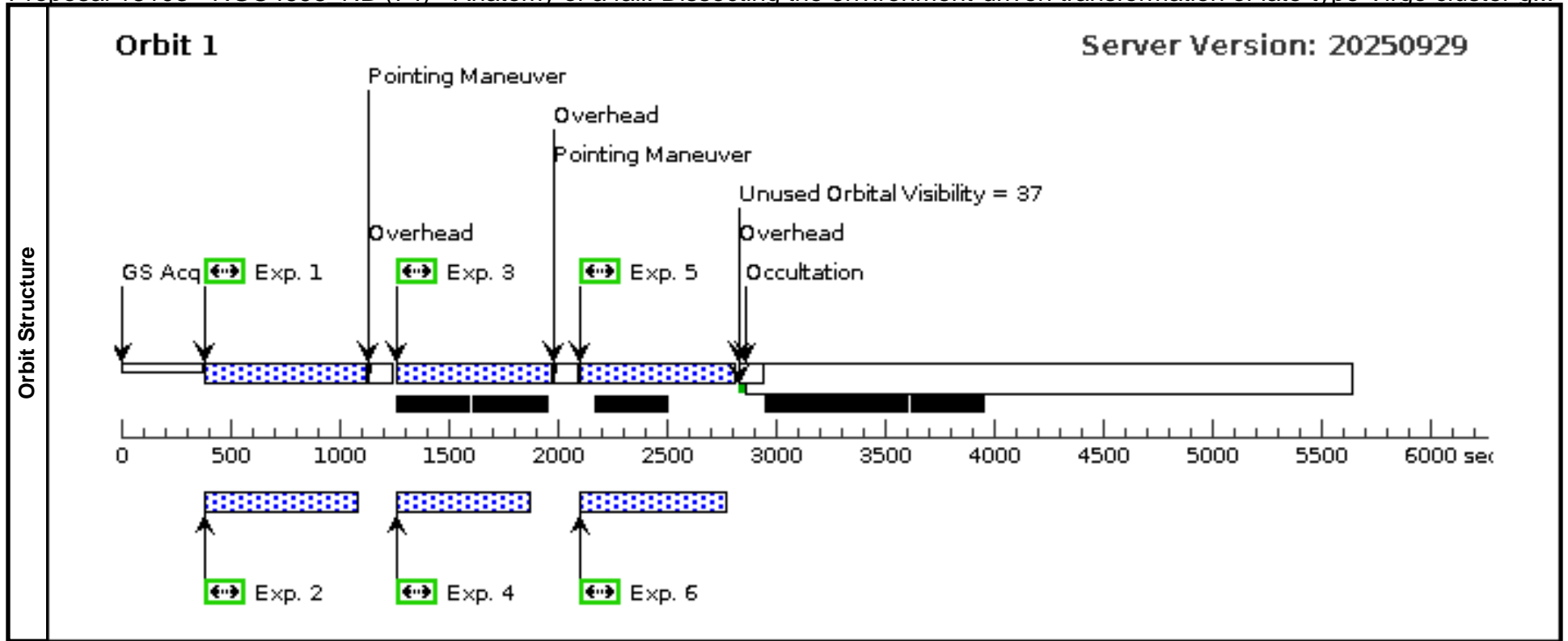
Visit	Proposal 18103, NGC4654-JELLYFISHTAIL_NB (73), scheduling Diagnostic Status: No Diagnostics Scientific Instruments: WFC3/UVIS, ACS/WFC Special Requirements: SCHED 100%; SAME ORIENT AS 36									
	Fixed Targets	#	Name	Target Coordinates	Targ. Coord. Corrections	Fluxes	Miscellaneous			
	(36)	NGC4654-JELLYFISHTAIL	RA: 12 44 4.5115 (191.0187979d) Dec: +13 06 50.42 (13.11401d) Equinox: J2000		V=11	Reference Frame: ICRS				
	Comments: Category=GALAXY Description=[SPIRAL]									
Exposures	#	Label	Target	Config,Mode,Aperture	Spectral Els.	Opt. Params.	Special Reqs.	Groups	Exp. Time (Total)/[Actual Dur.]	Orbit
	1	F657N	(36) NGC4654-JELLYFISHTAIL	WFC3/UVIS, ACCUM, UVIS-FIX	F657N	FLASH=18	POS TARG 0,0	Prime + Parallel Group 1-2 in NGC4654-JELLYFISHTAIL_NB (73)	710 Secs (710 Secs) [==>]	[1]
	2	F814W-PA R	ANY	ACS/WFC, ACCUM, WFC	F814W			Prime + Parallel Group 1-2 in NGC4654-JELLYFISHTAIL_NB (73)	490 Secs (490 Secs) [==>]	[1]
	3	F657N	(36) NGC4654-JELLYFISHTAIL	WFC3/UVIS, ACCUM, UVIS-FIX	F657N	FLASH=18	POS TARG 0.172,1.803	Prime + Parallel Group 3-4 in NGC4654-JELLYFISHTAIL_NB (73)	710 Secs (710 Secs) [==>]	[1]
	4	F814W-PA R	ANY	ACS/WFC, ACCUM, WFC	F814W			Prime + Parallel Group 3-4 in NGC4654-JELLYFISHTAIL_NB (73)	490 Secs (490 Secs) [==>]	[1]
	5	F657N	(36) NGC4654-JELLYFISHTAIL	WFC3/UVIS, ACCUM, UVIS-FIX	F657N	FLASH=18	POS TARG 0.343,3.606	Prime + Parallel Group 5-6 in NGC4654-JELLYFISHTAIL_NB (73)	710 Secs (710 Secs) [==>]	[1]
	6	F606W-PA R	ANY	ACS/WFC, ACCUM, WFC	F606W			Prime + Parallel Group 5-6 in NGC4654-JELLYFISHTAIL_NB (73)	490 Secs (490 Secs) [==>]	[1]



Proposal 18103 - NGC4698 NB (74) - Anatomy of a fall: Dissecting the environment-driven transformation of late-type Virgo cluster g...

Wed Feb 04 15:02:00 GMT 2026

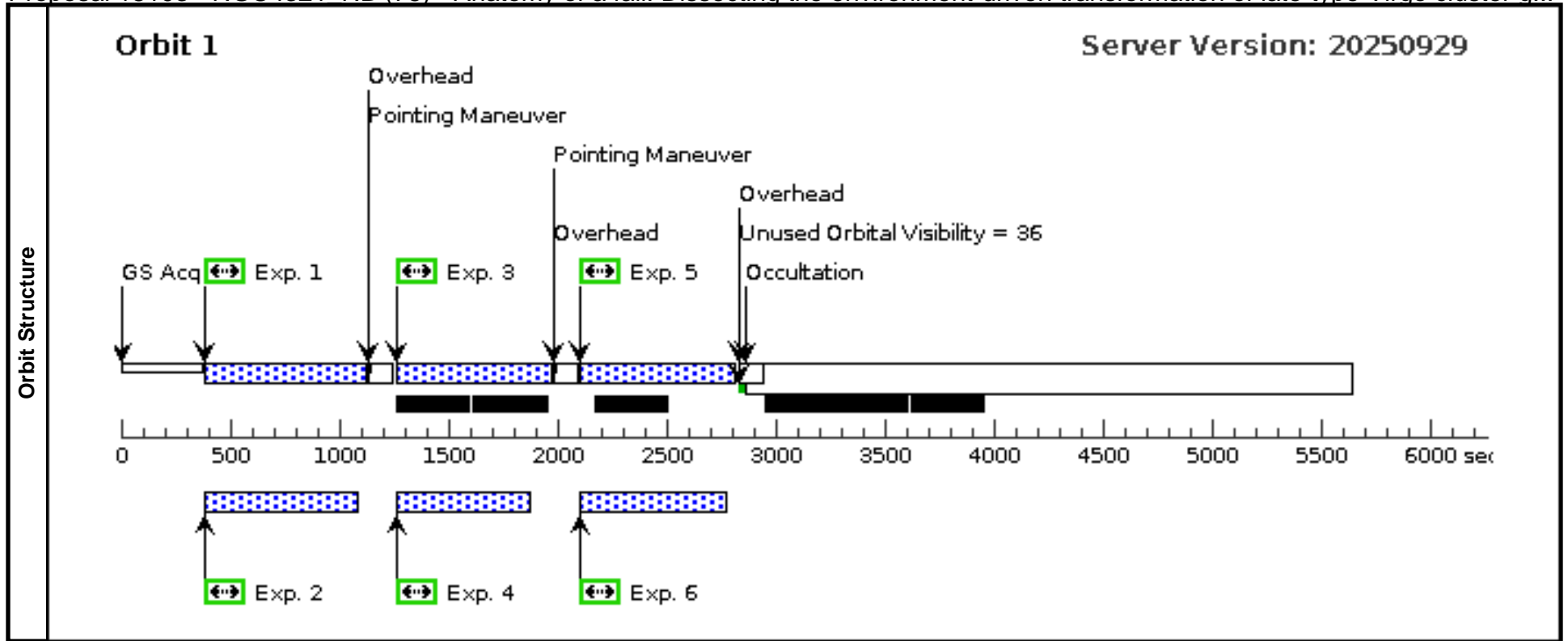
Visit	Proposal 18103, NGC4698_NB (74), scheduling Diagnostic Status: No Diagnostics Scientific Instruments: WFC3/UVIS, ACS/WFC Special Requirements: SCHED 100%; SAME ORIENT AS 37									
	Fixed Targets	#	Name	Target Coordinates	Targ. Coord. Corrections	Fluxes	Miscellaneous			
	(37)	NGC4698	RA: 12 48 23.8547 (192.0993946d) Dec: +08 29 11.16 (8.48643d) Equinox: J2000		V=11	Reference Frame: ICRS				
	<i>Comments:</i> Category=GALAXY Description=[SPIRAL]									
Exposures	#	Label	Target	Config,Mode,Aperture	Spectral Els.	Opt. Params.	Special Reqs.	Groups	Exp. Time (Total)/[Actual Dur.]	Orbit
	1	F658N	(37) NGC4698	WFC3/UVIS, ACCUM, UVIS-FIX	F658N	FLASH=18	POS TARG 0,0	Prime + Parallel Group 1-2 in NGC4698_NB (74)	710 Secs (710 Secs) [==>]	[1]
	2	F814W-PA R	ANY	ACS/WFC, ACCUM, WFC	F814W			Prime + Parallel Group 1-2 in NGC4698_NB (74)	490 Secs (490 Secs) [==>]	[1]
	3	F658N	(37) NGC4698	WFC3/UVIS, ACCUM, UVIS-FIX	F658N	FLASH=18	POS TARG 0.172,1.803	Prime + Parallel Group 3-4 in NGC4698_NB (74)	710 Secs (710 Secs) [==>]	[1]
	4	F814W-PA R	ANY	ACS/WFC, ACCUM, WFC	F814W			Prime + Parallel Group 3-4 in NGC4698_NB (74)	490 Secs (490 Secs) [==>]	[1]
	5	F658N	(37) NGC4698	WFC3/UVIS, ACCUM, UVIS-FIX	F658N	FLASH=18	POS TARG 0.343,3.606	Prime + Parallel Group 5-6 in NGC4698_NB (74)	710 Secs (710 Secs) [==>]	[1]
	6	F606W-PA R	ANY	ACS/WFC, ACCUM, WFC	F606W			Prime + Parallel Group 5-6 in NGC4698_NB (74)	490 Secs (490 Secs) [==>]	[1]



Proposal 18103 - NGC4321_NB (75) - Anatomy of a fall: Dissecting the environment-driven transformation of late-type Virgo cluster g...

Wed Feb 04 15:02:00 GMT 2026

Visit	Proposal 18103, NGC4321_NB (75), scheduling Diagnostic Status: No Diagnostics Scientific Instruments: WFC3/UVIS, ACS/WFC Special Requirements: SCHED 100%									
	Fixed Targets	#	Name	Target Coordinates	Targ. Coord. Corrections	Fluxes	Miscellaneous			
	(38)	NGC4321	RA: 12 23 0.8304 (185.7534600d) Dec: +15 49 22.35 (15.82287d) Equinox: J2000		V=11	Reference Frame: ICRS				
	<i>Comments:</i> Category=GALAXY Description=[SPIRAL]									
Exposures	#	Label	Target	Config,Mode,Aperture	Spectral Els.	Opt. Params.	Special Reqs.	Groups	Exp. Time (Total)/[Actual Dur.]	Orbit
	1	F657N	(38) NGC4321	WFC3/UVIS, ACCUM, UVIS-FIX	F657N	FLASH=18	POS TARG 0,0	Prime + Parallel Group 1-2 in NGC4321_NB (75)	710 Secs (710 Secs) [==>]	[1]
	2	F814W-PA R	ANY	ACS/WFC, ACCUM, WFC	F814W			Prime + Parallel Group 1-2 in NGC4321_NB (75)	490 Secs (490 Secs) [==>]	[1]
	3	F657N	(38) NGC4321	WFC3/UVIS, ACCUM, UVIS-FIX	F657N	FLASH=18	POS TARG 0.172,1.803	Prime + Parallel Group 3-4 in NGC4321_NB (75)	710 Secs (710 Secs) [==>]	[1]
	4	F814W-PA R	ANY	ACS/WFC, ACCUM, WFC	F814W			Prime + Parallel Group 3-4 in NGC4321_NB (75)	490 Secs (490 Secs) [==>]	[1]
	5	F657N	(38) NGC4321	WFC3/UVIS, ACCUM, UVIS-FIX	F657N	FLASH=18	POS TARG 0.343,3.606	Prime + Parallel Group 5-6 in NGC4321_NB (75)	710 Secs (710 Secs) [==>]	[1]
	6	F606W-PA R	ANY	ACS/WFC, ACCUM, WFC	F606W			Prime + Parallel Group 5-6 in NGC4321_NB (75)	490 Secs (490 Secs) [==>]	[1]



Proposal 18103 - NGC4254_NB (76) - Anatomy of a fall: Dissecting the environment-driven transformation of late-type Virgo cluster g...

Wed Feb 04 15:02:00 GMT 2026

Visit	Proposal 18103, NGC4254_NB (76), scheduling Diagnostic Status: No Diagnostics Scientific Instruments: WFC3/UVIS, ACS/WFC Special Requirements: SCHED 100%									
	Fixed Targets	#	Name	Target Coordinates	Targ. Coord. Corrections	Fluxes	Miscellaneous			
	(39)	NGC4254	RA: 12 18 50.5572 (184.7106550d) Dec: +14 25 7.10 (14.41864d) Equinox: J2000		V=11	Reference Frame: ICRS				
	<i>Comments:</i> Category=GALAXY Description=[SPIRAL]									
Exposures	#	Label	Target	Config,Mode,Aperture	Spectral Els.	Opt. Params.	Special Reqs.	Groups	Exp. Time (Total)/[Actual Dur.]	Orbit
	1	F657N	(39) NGC4254	WFC3/UVIS, ACCUM, UVIS-FIX	F657N	FLASH=18	POS TARG 0,0	Prime + Parallel Group 1-2 in NGC4254_NB (76)	710 Secs (710 Secs) [==>]	[1]
	2	F814W-PA R	ANY	ACS/WFC, ACCUM, WFC	F814W			Prime + Parallel Group 1-2 in NGC4254_NB (76)	490 Secs (490 Secs) [==>]	[1]
	3	F657N	(39) NGC4254	WFC3/UVIS, ACCUM, UVIS-FIX	F657N	FLASH=18	POS TARG 0.172,1.803	Prime + Parallel Group 3-4 in NGC4254_NB (76)	710 Secs (710 Secs) [==>]	[1]
	4	F814W-PA R	ANY	ACS/WFC, ACCUM, WFC	F814W			Prime + Parallel Group 3-4 in NGC4254_NB (76)	490 Secs (490 Secs) [==>]	[1]
	5	F657N	(39) NGC4254	WFC3/UVIS, ACCUM, UVIS-FIX	F657N	FLASH=18	POS TARG 0.343,3.606	Prime + Parallel Group 5-6 in NGC4254_NB (76)	710 Secs (710 Secs) [==>]	[1]
	6	F606W-PA R	ANY	ACS/WFC, ACCUM, WFC	F606W			Prime + Parallel Group 5-6 in NGC4254_NB (76)	490 Secs (490 Secs) [==>]	[1]

