



12421 - NUV Spectroscopic Sensitivity Monitoring

Cycle: 18, Proposal Category: CAL/COS

(Availability Mode: RESTRICTED)

INVESTIGATORS

<i>Name</i>	<i>Institution</i>	<i>E-Mail</i>
Dr. Rachel A. Osten (PI)	Space Telescope Science Institute	
Dr. Alessandra Aloisi (CoI)	Space Telescope Science Institute - ESA	
Dr. Charles Proffitt (CoI)	Computer Sciences Corporation	

VISITS

<i>Visit</i>	<i>Targets used in Visit</i>	<i>Configurations used in Visit</i>	<i>Orbits Used</i>	<i>Last Orbit Planner Run</i>	<i>OP Current with Visit?</i>
L1	(1) WD1057+719	COS/NUV	2	20-Oct-2010 21:33:59.0	yes
L2	(1) WD1057+719	COS/NUV	2	20-Oct-2010 21:34:06.0	yes
L3	(1) WD1057+719	COS/NUV	2	20-Oct-2010 21:34:12.0	yes
M1	(2) G191B2B	COS/NUV	2	20-Oct-2010 21:34:21.0	yes
M2	(2) G191B2B	COS/NUV	2	20-Oct-2010 21:34:28.0	yes
M3	(2) G191B2B	COS/NUV	2	20-Oct-2010 21:34:36.0	yes

12 Total Orbits Used

ABSTRACT

Purpose is to monitor sensitivity of each NUV grating mode to detect any change due to contamination or other causes.

OBSERVING DESCRIPTION

Proposal 12421 (STScI Edit Number: 2, Created: Wednesday, October 20, 2010 8:34:40 PM EST) - Overview

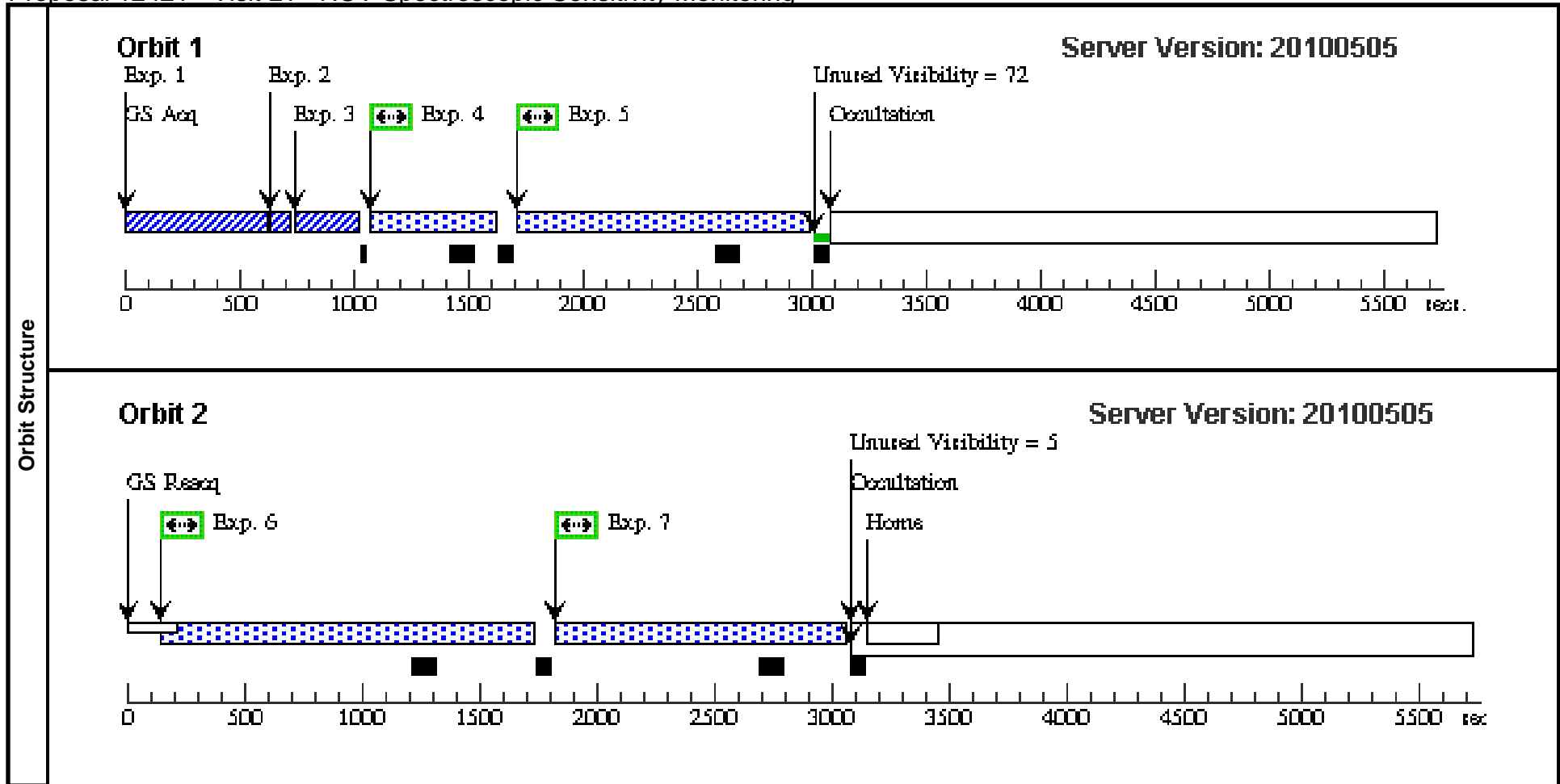
Obtain exposures in all NUV gratings -- G230L, G185M, G225M, and G285M -- quarterly. The first two gratings have stable behavior, while the last two are experiencing steady sensitivity declines.

However, they are rarely used in Cycle 18 so quarterly observations will suffice to monitor the trends.

Proposal 12421 (STScI Edit Number: 2, Created: Wednesday, October 20, 2010 8:34:40 PM EST) - Overview

Thu Oct 21 01:34:40 GMT 2010

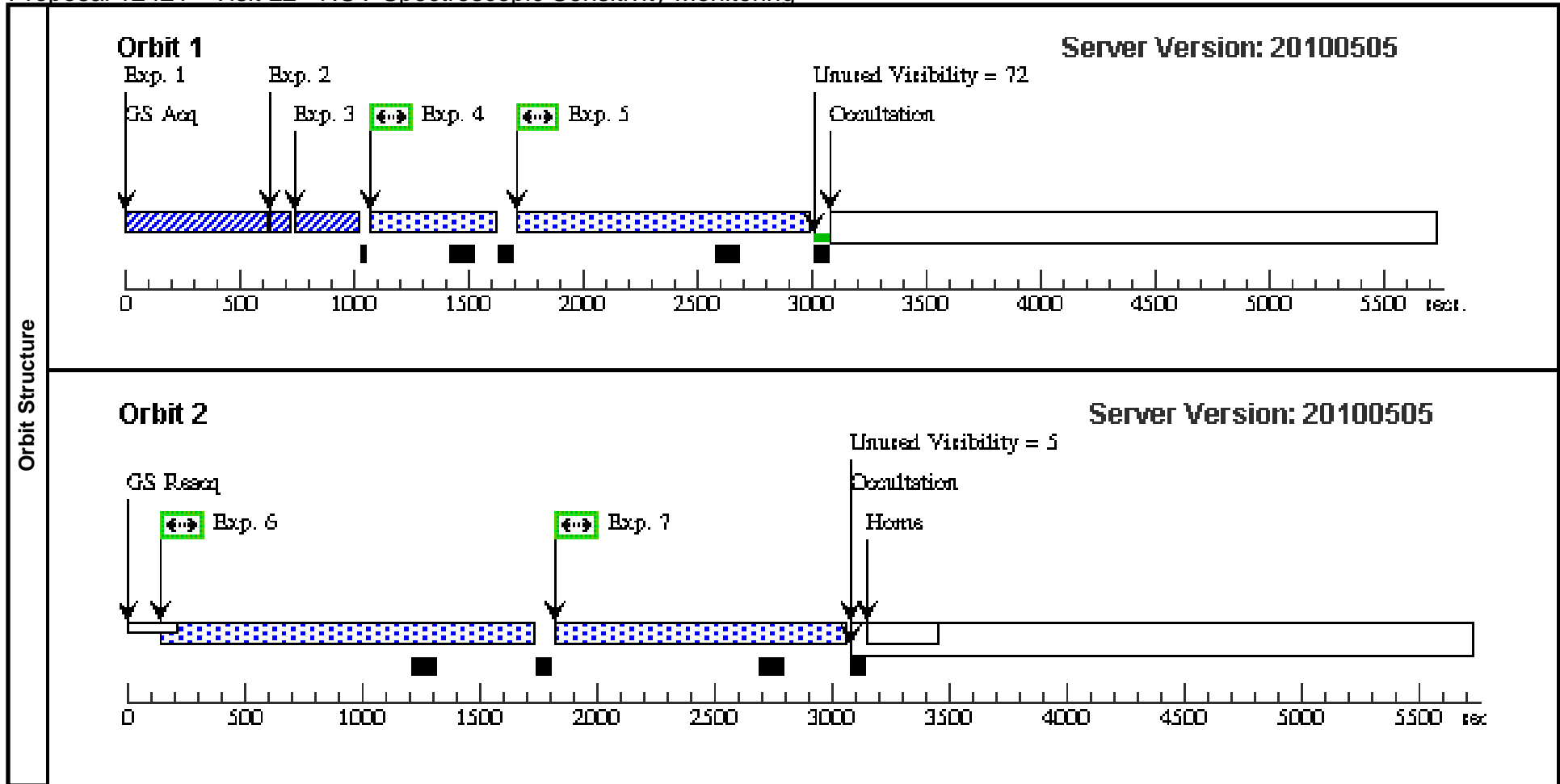
Visit	Proposal 12421, Visit L1, implementation Diagnostic Status: No Diagnostics Scientific Instruments: COS/NUV Special Requirements: SCHED 100%; BETWEEN 03-JAN-2011:00:00:00 AND 10-JAN-2011:00:00:00									
	Fixed Targets	#	Name	Target Coordinates	Targ. Coord. Corrections	Fluxes	Miscellaneous			
	(1)	WD1057+719	RA: 11 00 34.2200 (165.1425833d) Dec: +71 38 2.99 (71.63416d) Equinox: J2000	Proper Motion RA: -0.00973s/yr Proper Motion Dec: -0.02"/yr Epoch of Position: 2000.0	V=14.68	Reference Frame: ICRS				
	<i>Comments: HST FASTEX standard PM, coords from USNOB</i> GSC2 coords are 11:00:34.25, 71:38:02.97, 1997.19 epoch									
Exposures	#	Label	Target	Config,Mode,Aperture	Spectral Els.	Opt. Params.	Special Reqs.	Groups	Exp. Time/[Actual Dur.]	Orbit
	1	G230L - AC Q/SEARCH	(1) WD1057+719	COS/NUV, ACQ/SEARCH, PSA	G230L 2635 A	SCAN-SIZE=3; STEP-SIZE=1.767	GS ACQ SCENARI O BASE1B3		0.7 Secs [==>]	[1]
	2	G230L - AC Q/PEAKXD	(1) WD1057+719	COS/NUV, ACQ/PEAKXD, PSA	G230L 2635 A				1.0 Secs [==>]	[1]
	<i>Comments: exposure time taken from ETC 83991, using standard star spectrum of HZ 43 and normalizing to target's V magnitude of 14.68.</i>									
	3	G230L - AC Q/PEAKD	(1) WD1057+719	COS/NUV, ACQ/PEAKD, PSA	G230L 2635 A	CENTER=FLUX-W T-FLR; NUM-POS=9.0; STEP-SIZE=1.			0.7 Secs [==>]	[1]
	<i>Comments: exposure time taken from ETC # 83992, using standard star spectrum of HZ 43 and normalizing to target's V mag. of 14.68</i>									
	4	G230L - 263 5 A	(1) WD1057+719	COS/NUV, TIME-TAG, PSA	G230L 2635 A	BUFFER-TIME=36 0; FP-POS=3			540.0 Secs [==>]	[1]
	5	G230L - 336 0 A	(1) WD1057+719	COS/NUV, TIME-TAG, PSA	G230L 3360 A	BUFFER-TIME=79 5; FP-POS=3			1193.0 Secs [==>]	[1]
6	G230L - 295 0 A	(1) WD1057+719	COS/NUV, TIME-TAG, PSA	G230L 2950 A	BUFFER-TIME=10 00; FP-POS=3			1500.0 Secs [==>]	[2]	
7	G230L - 336 0 A	(1) WD1057+719	COS/NUV, TIME-TAG, PSA	G230L 3360 A	BUFFER-TIME=79 5; FP-POS=3			1150.0 Secs [==>]	[2]	



Proposal 12421 - Visit L1 - NUV Spectroscopic Sensitivity Monitoring

Thu Oct 21 01:34:41 GMT 2010

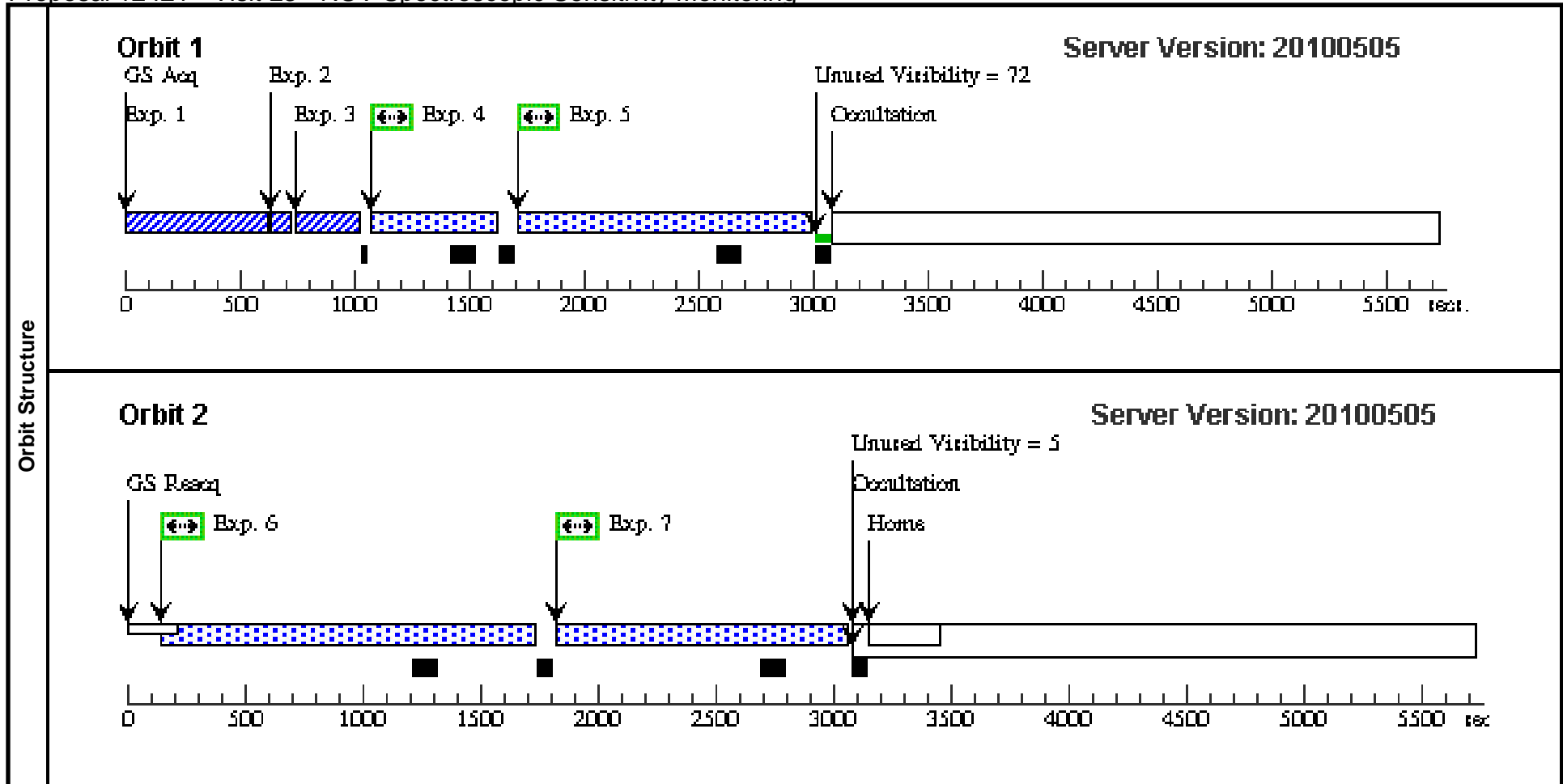
Visit	Proposal 12421, Visit L2, implementation Diagnostic Status: No Diagnostics Scientific Instruments: COS/NUV Special Requirements: SCHED 100%; BETWEEN 11-APR-2011:00:00:00 AND 18-APR-2011:00:00:00																																																																																																				
Fixed Targets	<table border="1"> <thead> <tr> <th>#</th> <th>Name</th> <th>Target Coordinates</th> <th>Targ. Coord. Corrections</th> <th>Fluxes</th> <th>Miscellaneous</th> </tr> </thead> <tbody> <tr> <td>(1)</td> <td>WD1057+719</td> <td>RA: 11 00 34.2200 (165.1425833d) Dec: +71 38 2.99 (71.63416d) Equinox: J2000</td> <td>Proper Motion RA: -0.00973s/yr Proper Motion Dec: -0.02"/yr Epoch of Position: 2000.0</td> <td>V=14.68</td> <td>Reference Frame: ICRS</td> </tr> </tbody> </table> <p><i>Comments: HST FASTEX standard PM, coords from USNOB</i></p> <p><i>GSC2 coords are 11:00:34.25, 71:38:02.97, 1997.19 epoch</i></p>	#	Name	Target Coordinates	Targ. Coord. Corrections	Fluxes	Miscellaneous	(1)	WD1057+719	RA: 11 00 34.2200 (165.1425833d) Dec: +71 38 2.99 (71.63416d) Equinox: J2000	Proper Motion RA: -0.00973s/yr Proper Motion Dec: -0.02"/yr Epoch of Position: 2000.0	V=14.68	Reference Frame: ICRS																																																																																								
#	Name	Target Coordinates	Targ. Coord. Corrections	Fluxes	Miscellaneous																																																																																																
(1)	WD1057+719	RA: 11 00 34.2200 (165.1425833d) Dec: +71 38 2.99 (71.63416d) Equinox: J2000	Proper Motion RA: -0.00973s/yr Proper Motion Dec: -0.02"/yr Epoch of Position: 2000.0	V=14.68	Reference Frame: ICRS																																																																																																
Exposures	<table border="1"> <thead> <tr> <th>#</th> <th>Label</th> <th>Target</th> <th>Config,Mode,Aperture</th> <th>Spectral Els.</th> <th>Opt. Params.</th> <th>Special Reqs.</th> <th>Groups</th> <th>Exp. Time/[Actual Dur.]</th> <th>Orbit</th> </tr> </thead> <tbody> <tr> <td>1</td> <td>G230L - AC Q/SEARCH</td> <td>(1) WD1057+719</td> <td>COS/NUV, ACQ/SEARCH, PSA</td> <td>G230L 2635 A</td> <td>SCAN-SIZE=3; STEP-SIZE=1.767</td> <td></td> <td></td> <td>0.7 Secs [==>]</td> <td>[1]</td> </tr> <tr> <td>2</td> <td>G230L - AC Q/PEAKXD</td> <td>(1) WD1057+719</td> <td>COS/NUV, ACQ/PEAKXD, PSA</td> <td>G230L 2635 A</td> <td></td> <td></td> <td></td> <td>1.0 Secs [==>]</td> <td>[1]</td> </tr> <tr> <td colspan="10"><i>Comments: exposure time taken from ETC 83991, using standard star spectrum of HZ 43 and normalizing to target's V magnitude of 14.68.</i></td> </tr> <tr> <td>3</td> <td>G230L - AC Q/PEAKD</td> <td>(1) WD1057+719</td> <td>COS/NUV, ACQ/PEAKD, PSA</td> <td>G230L 2635 A</td> <td>CENTER=FLUX-W T-FLR; NUM-POS=9.0; STEP-SIZE=1.</td> <td></td> <td></td> <td>0.7 Secs [==>]</td> <td>[1]</td> </tr> <tr> <td colspan="10"><i>Comments: exposure time taken from ETC # 83992, using standard star spectrum of HZ 43 and normalizing to target's V mag. of 14.68</i></td> </tr> <tr> <td>4</td> <td>G230L - 263 5 A</td> <td>(1) WD1057+719</td> <td>COS/NUV, TIME-TAG, PSA</td> <td>G230L 2635 A</td> <td>BUFFER-TIME=36 0; FP-POS=3</td> <td></td> <td></td> <td>540.0 Secs [==>]</td> <td>[1]</td> </tr> <tr> <td>5</td> <td>G230L - 336 0 A</td> <td>(1) WD1057+719</td> <td>COS/NUV, TIME-TAG, PSA</td> <td>G230L 3360 A</td> <td>BUFFER-TIME=79 5; FP-POS=3</td> <td></td> <td></td> <td>1193.0 Secs [==>]</td> <td>[1]</td> </tr> <tr> <td>6</td> <td>G230L - 295 0 A</td> <td>(1) WD1057+719</td> <td>COS/NUV, TIME-TAG, PSA</td> <td>G230L 2950 A</td> <td>BUFFER-TIME=10 00; FP-POS=3</td> <td></td> <td></td> <td>1500.0 Secs [==>]</td> <td>[2]</td> </tr> <tr> <td>7</td> <td>G230L - 336 0 A</td> <td>(1) WD1057+719</td> <td>COS/NUV, TIME-TAG, PSA</td> <td>G230L 3360 A</td> <td>BUFFER-TIME=79 5; FP-POS=3</td> <td></td> <td></td> <td>1150.0 Secs [==>]</td> <td>[2]</td> </tr> </tbody> </table>	#	Label	Target	Config,Mode,Aperture	Spectral Els.	Opt. Params.	Special Reqs.	Groups	Exp. Time/[Actual Dur.]	Orbit	1	G230L - AC Q/SEARCH	(1) WD1057+719	COS/NUV, ACQ/SEARCH, PSA	G230L 2635 A	SCAN-SIZE=3; STEP-SIZE=1.767			0.7 Secs [==>]	[1]	2	G230L - AC Q/PEAKXD	(1) WD1057+719	COS/NUV, ACQ/PEAKXD, PSA	G230L 2635 A				1.0 Secs [==>]	[1]	<i>Comments: exposure time taken from ETC 83991, using standard star spectrum of HZ 43 and normalizing to target's V magnitude of 14.68.</i>										3	G230L - AC Q/PEAKD	(1) WD1057+719	COS/NUV, ACQ/PEAKD, PSA	G230L 2635 A	CENTER=FLUX-W T-FLR; NUM-POS=9.0; STEP-SIZE=1.			0.7 Secs [==>]	[1]	<i>Comments: exposure time taken from ETC # 83992, using standard star spectrum of HZ 43 and normalizing to target's V mag. of 14.68</i>										4	G230L - 263 5 A	(1) WD1057+719	COS/NUV, TIME-TAG, PSA	G230L 2635 A	BUFFER-TIME=36 0; FP-POS=3			540.0 Secs [==>]	[1]	5	G230L - 336 0 A	(1) WD1057+719	COS/NUV, TIME-TAG, PSA	G230L 3360 A	BUFFER-TIME=79 5; FP-POS=3			1193.0 Secs [==>]	[1]	6	G230L - 295 0 A	(1) WD1057+719	COS/NUV, TIME-TAG, PSA	G230L 2950 A	BUFFER-TIME=10 00; FP-POS=3			1500.0 Secs [==>]	[2]	7	G230L - 336 0 A	(1) WD1057+719	COS/NUV, TIME-TAG, PSA	G230L 3360 A	BUFFER-TIME=79 5; FP-POS=3			1150.0 Secs [==>]	[2]
#	Label	Target	Config,Mode,Aperture	Spectral Els.	Opt. Params.	Special Reqs.	Groups	Exp. Time/[Actual Dur.]	Orbit																																																																																												
1	G230L - AC Q/SEARCH	(1) WD1057+719	COS/NUV, ACQ/SEARCH, PSA	G230L 2635 A	SCAN-SIZE=3; STEP-SIZE=1.767			0.7 Secs [==>]	[1]																																																																																												
2	G230L - AC Q/PEAKXD	(1) WD1057+719	COS/NUV, ACQ/PEAKXD, PSA	G230L 2635 A				1.0 Secs [==>]	[1]																																																																																												
<i>Comments: exposure time taken from ETC 83991, using standard star spectrum of HZ 43 and normalizing to target's V magnitude of 14.68.</i>																																																																																																					
3	G230L - AC Q/PEAKD	(1) WD1057+719	COS/NUV, ACQ/PEAKD, PSA	G230L 2635 A	CENTER=FLUX-W T-FLR; NUM-POS=9.0; STEP-SIZE=1.			0.7 Secs [==>]	[1]																																																																																												
<i>Comments: exposure time taken from ETC # 83992, using standard star spectrum of HZ 43 and normalizing to target's V mag. of 14.68</i>																																																																																																					
4	G230L - 263 5 A	(1) WD1057+719	COS/NUV, TIME-TAG, PSA	G230L 2635 A	BUFFER-TIME=36 0; FP-POS=3			540.0 Secs [==>]	[1]																																																																																												
5	G230L - 336 0 A	(1) WD1057+719	COS/NUV, TIME-TAG, PSA	G230L 3360 A	BUFFER-TIME=79 5; FP-POS=3			1193.0 Secs [==>]	[1]																																																																																												
6	G230L - 295 0 A	(1) WD1057+719	COS/NUV, TIME-TAG, PSA	G230L 2950 A	BUFFER-TIME=10 00; FP-POS=3			1500.0 Secs [==>]	[2]																																																																																												
7	G230L - 336 0 A	(1) WD1057+719	COS/NUV, TIME-TAG, PSA	G230L 3360 A	BUFFER-TIME=79 5; FP-POS=3			1150.0 Secs [==>]	[2]																																																																																												



Proposal 12421 - Visit L2 - NUV Spectroscopic Sensitivity Monitoring

Thu Oct 21 01:34:42 GMT 2010

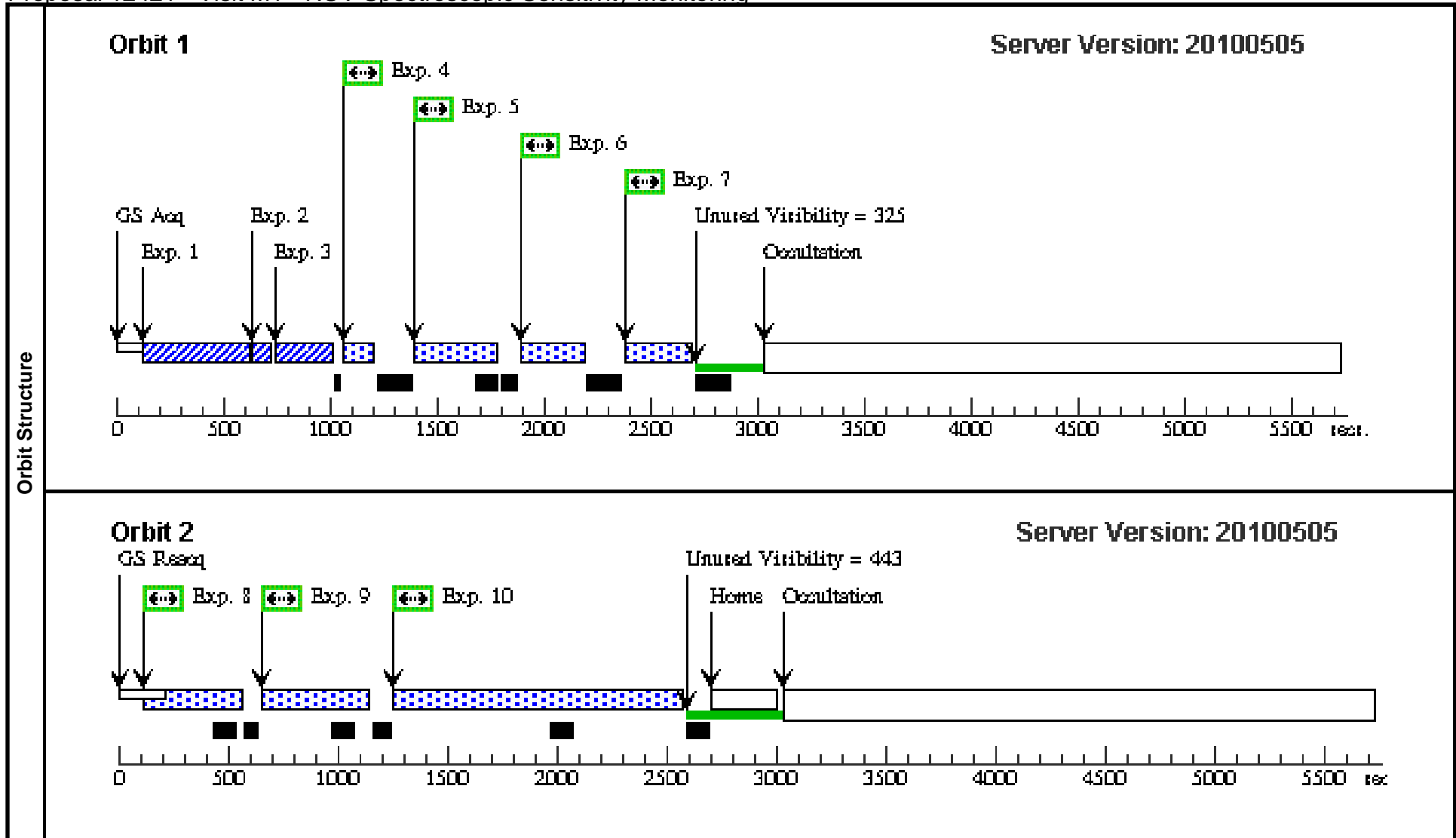
Visit	Proposal 12421, Visit L3, implementation Diagnostic Status: No Diagnostics Scientific Instruments: COS/NUV Special Requirements: SCHED 100%; BETWEEN 01-AUG-2011:00:00:00 AND 08-AUG-2011:00:00:00																																																																																																				
Fixed Targets	<table border="1"> <thead> <tr> <th>#</th> <th>Name</th> <th>Target Coordinates</th> <th>Targ. Coord. Corrections</th> <th>Fluxes</th> <th>Miscellaneous</th> </tr> </thead> <tbody> <tr> <td>(1)</td> <td>WD1057+719</td> <td>RA: 11 00 34.2200 (165.1425833d) Dec: +71 38 2.99 (71.63416d) Equinox: J2000</td> <td>Proper Motion RA: -0.00973s/yr Proper Motion Dec: -0.02"/yr Epoch of Position: 2000.0</td> <td>V=14.68</td> <td>Reference Frame: ICRS</td> </tr> </tbody> </table> <p><i>Comments: HST FASTEX standard PM, coords from USNOB</i></p> <p><i>GSC2 coords are 11:00:34.25, 71:38:02.97, 1997.19 epoch</i></p>	#	Name	Target Coordinates	Targ. Coord. Corrections	Fluxes	Miscellaneous	(1)	WD1057+719	RA: 11 00 34.2200 (165.1425833d) Dec: +71 38 2.99 (71.63416d) Equinox: J2000	Proper Motion RA: -0.00973s/yr Proper Motion Dec: -0.02"/yr Epoch of Position: 2000.0	V=14.68	Reference Frame: ICRS																																																																																								
#	Name	Target Coordinates	Targ. Coord. Corrections	Fluxes	Miscellaneous																																																																																																
(1)	WD1057+719	RA: 11 00 34.2200 (165.1425833d) Dec: +71 38 2.99 (71.63416d) Equinox: J2000	Proper Motion RA: -0.00973s/yr Proper Motion Dec: -0.02"/yr Epoch of Position: 2000.0	V=14.68	Reference Frame: ICRS																																																																																																
Exposures	<table border="1"> <thead> <tr> <th>#</th> <th>Label</th> <th>Target</th> <th>Config,Mode,Aperture</th> <th>Spectral Els.</th> <th>Opt. Params.</th> <th>Special Reqs.</th> <th>Groups</th> <th>Exp. Time/[Actual Dur.]</th> <th>Orbit</th> </tr> </thead> <tbody> <tr> <td>1</td> <td>G230L - AC Q/SEARCH</td> <td>(1) WD1057+719</td> <td>COS/NUV, ACQ/SEARCH, PSA</td> <td>G230L 2635 A</td> <td>SCAN-SIZE=3; STEP-SIZE=1.767</td> <td></td> <td></td> <td>0.7 Secs [==>]</td> <td>[1]</td> </tr> <tr> <td>2</td> <td>G230L - AC Q/PEAKXD</td> <td>(1) WD1057+719</td> <td>COS/NUV, ACQ/PEAKXD, PSA</td> <td>G230L 2635 A</td> <td></td> <td></td> <td></td> <td>1.0 Secs [==>]</td> <td>[1]</td> </tr> <tr> <td colspan="10"><i>Comments: exposure time taken from ETC 83991, using standard star spectrum of HZ 43 and normalizing to target's V magnitude of 14.68.</i></td> </tr> <tr> <td>3</td> <td>G230L - AC Q/PEAKD</td> <td>(1) WD1057+719</td> <td>COS/NUV, ACQ/PEAKD, PSA</td> <td>G230L 2635 A</td> <td>CENTER=FLUX-W T-FLR; NUM-POS=9.0; STEP-SIZE=1.</td> <td></td> <td></td> <td>0.7 Secs [==>]</td> <td>[1]</td> </tr> <tr> <td colspan="10"><i>Comments: exposure time taken from ETC # 83992, using standard star spectrum of HZ 43 and normalizing to target's V mag. of 14.68</i></td> </tr> <tr> <td>4</td> <td>G230L - 263 5 A</td> <td>(1) WD1057+719</td> <td>COS/NUV, TIME-TAG, PSA</td> <td>G230L 2635 A</td> <td>BUFFER-TIME=36 0; FP-POS=3</td> <td></td> <td></td> <td>540.0 Secs [==>]</td> <td>[1]</td> </tr> <tr> <td>5</td> <td>G230L - 336 0 A</td> <td>(1) WD1057+719</td> <td>COS/NUV, TIME-TAG, PSA</td> <td>G230L 3360 A</td> <td>BUFFER-TIME=79 5; FP-POS=3</td> <td></td> <td></td> <td>1193.0 Secs [==>]</td> <td>[1]</td> </tr> <tr> <td>6</td> <td>G230L - 295 0 A</td> <td>(1) WD1057+719</td> <td>COS/NUV, TIME-TAG, PSA</td> <td>G230L 2950 A</td> <td>BUFFER-TIME=10 00; FP-POS=3</td> <td></td> <td></td> <td>1500.0 Secs [==>]</td> <td>[2]</td> </tr> <tr> <td>7</td> <td>G230L - 336 0 A</td> <td>(1) WD1057+719</td> <td>COS/NUV, TIME-TAG, PSA</td> <td>G230L 3360 A</td> <td>BUFFER-TIME=79 5; FP-POS=3</td> <td></td> <td></td> <td>1150.0 Secs [==>]</td> <td>[2]</td> </tr> </tbody> </table>	#	Label	Target	Config,Mode,Aperture	Spectral Els.	Opt. Params.	Special Reqs.	Groups	Exp. Time/[Actual Dur.]	Orbit	1	G230L - AC Q/SEARCH	(1) WD1057+719	COS/NUV, ACQ/SEARCH, PSA	G230L 2635 A	SCAN-SIZE=3; STEP-SIZE=1.767			0.7 Secs [==>]	[1]	2	G230L - AC Q/PEAKXD	(1) WD1057+719	COS/NUV, ACQ/PEAKXD, PSA	G230L 2635 A				1.0 Secs [==>]	[1]	<i>Comments: exposure time taken from ETC 83991, using standard star spectrum of HZ 43 and normalizing to target's V magnitude of 14.68.</i>										3	G230L - AC Q/PEAKD	(1) WD1057+719	COS/NUV, ACQ/PEAKD, PSA	G230L 2635 A	CENTER=FLUX-W T-FLR; NUM-POS=9.0; STEP-SIZE=1.			0.7 Secs [==>]	[1]	<i>Comments: exposure time taken from ETC # 83992, using standard star spectrum of HZ 43 and normalizing to target's V mag. of 14.68</i>										4	G230L - 263 5 A	(1) WD1057+719	COS/NUV, TIME-TAG, PSA	G230L 2635 A	BUFFER-TIME=36 0; FP-POS=3			540.0 Secs [==>]	[1]	5	G230L - 336 0 A	(1) WD1057+719	COS/NUV, TIME-TAG, PSA	G230L 3360 A	BUFFER-TIME=79 5; FP-POS=3			1193.0 Secs [==>]	[1]	6	G230L - 295 0 A	(1) WD1057+719	COS/NUV, TIME-TAG, PSA	G230L 2950 A	BUFFER-TIME=10 00; FP-POS=3			1500.0 Secs [==>]	[2]	7	G230L - 336 0 A	(1) WD1057+719	COS/NUV, TIME-TAG, PSA	G230L 3360 A	BUFFER-TIME=79 5; FP-POS=3			1150.0 Secs [==>]	[2]
#	Label	Target	Config,Mode,Aperture	Spectral Els.	Opt. Params.	Special Reqs.	Groups	Exp. Time/[Actual Dur.]	Orbit																																																																																												
1	G230L - AC Q/SEARCH	(1) WD1057+719	COS/NUV, ACQ/SEARCH, PSA	G230L 2635 A	SCAN-SIZE=3; STEP-SIZE=1.767			0.7 Secs [==>]	[1]																																																																																												
2	G230L - AC Q/PEAKXD	(1) WD1057+719	COS/NUV, ACQ/PEAKXD, PSA	G230L 2635 A				1.0 Secs [==>]	[1]																																																																																												
<i>Comments: exposure time taken from ETC 83991, using standard star spectrum of HZ 43 and normalizing to target's V magnitude of 14.68.</i>																																																																																																					
3	G230L - AC Q/PEAKD	(1) WD1057+719	COS/NUV, ACQ/PEAKD, PSA	G230L 2635 A	CENTER=FLUX-W T-FLR; NUM-POS=9.0; STEP-SIZE=1.			0.7 Secs [==>]	[1]																																																																																												
<i>Comments: exposure time taken from ETC # 83992, using standard star spectrum of HZ 43 and normalizing to target's V mag. of 14.68</i>																																																																																																					
4	G230L - 263 5 A	(1) WD1057+719	COS/NUV, TIME-TAG, PSA	G230L 2635 A	BUFFER-TIME=36 0; FP-POS=3			540.0 Secs [==>]	[1]																																																																																												
5	G230L - 336 0 A	(1) WD1057+719	COS/NUV, TIME-TAG, PSA	G230L 3360 A	BUFFER-TIME=79 5; FP-POS=3			1193.0 Secs [==>]	[1]																																																																																												
6	G230L - 295 0 A	(1) WD1057+719	COS/NUV, TIME-TAG, PSA	G230L 2950 A	BUFFER-TIME=10 00; FP-POS=3			1500.0 Secs [==>]	[2]																																																																																												
7	G230L - 336 0 A	(1) WD1057+719	COS/NUV, TIME-TAG, PSA	G230L 3360 A	BUFFER-TIME=79 5; FP-POS=3			1150.0 Secs [==>]	[2]																																																																																												



Proposal 12421 - Visit L3 - NUV Spectroscopic Sensitivity Monitoring

Thu Oct 21 01:34:42 GMT 2010

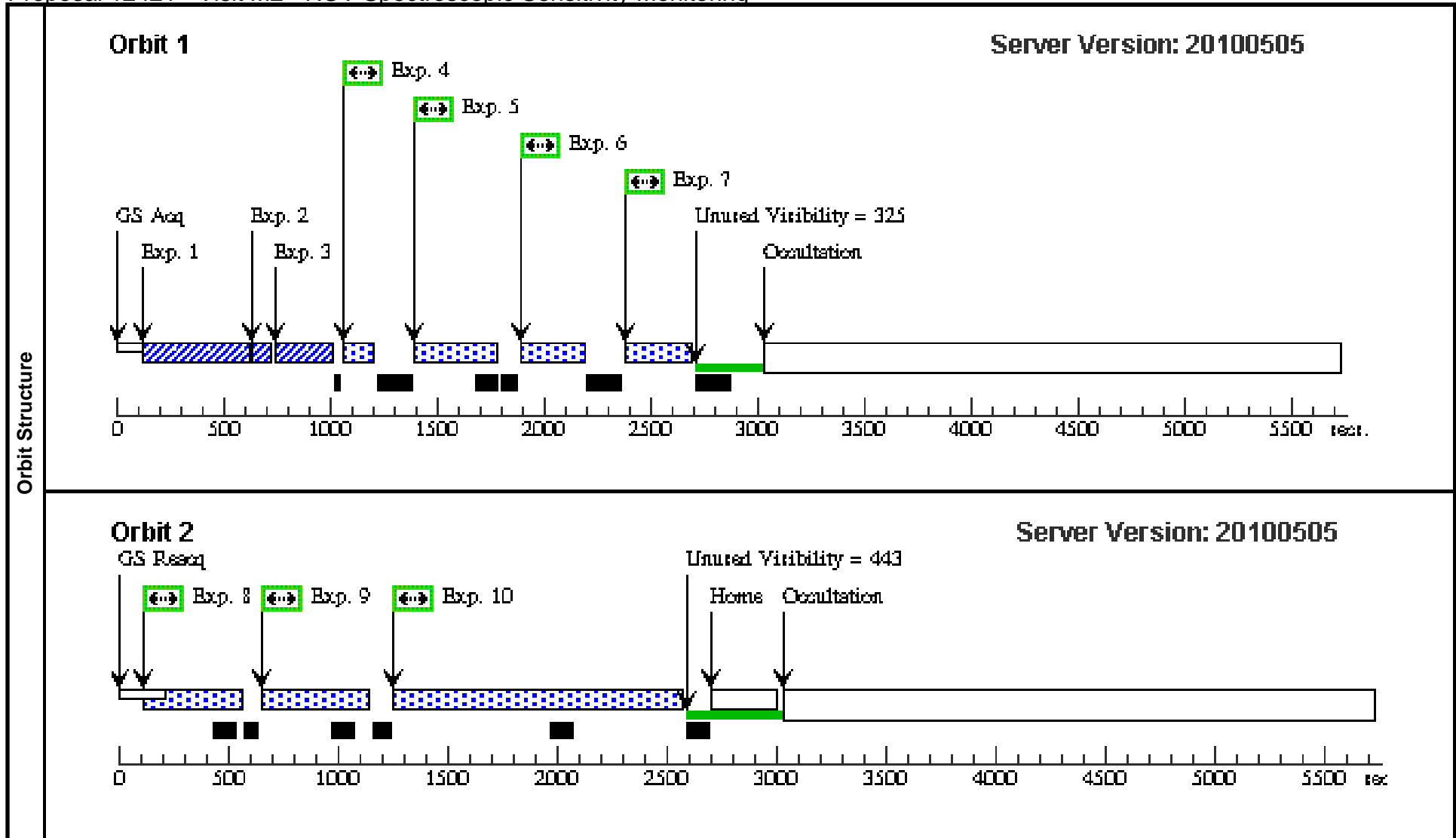
Visit	Proposal 12421, Visit M1, implementation Diagnostic Status: No Diagnostics Scientific Instruments: COS/NUV Special Requirements: SCHED 100%; BETWEEN 03-JAN-2011:00:00:00 AND 10-JAN-2011:00:00:00									
	Fixed Targets	#	Name	Target Coordinates	Targ. Coord. Corrections	Fluxes	Miscellaneous			
	(2)	G191B2B	RA: 05 05 30.6060 (76.3775250d) Dec: +52 49 52.74 (52.83132d) Equinox: J2000	Proper Motion RA: 0.00071s/yr Proper Motion Dec: -0.0907"/yr Epoch of Position: 1991.25	V=11.79	Reference Frame: ICRS				
	<i>Comments: coords, PM from Hipparcos</i>									
Exposures	#	Label	Target	Config,Mode,Aperture	Spectral Els.	Opt. Params.	Special Reqs.	Groups	Exp. Time/[Actual Dur.]	Orbit
	1	G185M - A CQ/SEARC H	(2) G191B2B	COS/NUV, ACQ/SEARCH, PSA	G185M 1921 A	STEP-SIZE=1.767; SCAN-SIZE=3			1.0 Secs [==>]	[1]
	<i>Comments: parameters taken from exposure 1, visit 1 of proposal 11481</i>									
	2	G185M - A CQ/PEAKX D	(2) G191B2B	COS/NUV, ACQ/PEAKXD, PSA	G185M 1921 A				1.0 Secs [==>]	[1]
	<i>Comments: parameters taken from exposure 2, visit 1 of proposal 11481</i>									
	3	G185M - A CQ/PEAKD	(2) G191B2B	COS/NUV, ACQ/PEAKD, PSA	G185M 1921 A	STEP-SIZE=0.6; NUM-POS=9.0			1.0 Secs [==>]	[1]
	4	G185M - 19 21 A	(2) G191B2B	COS/NUV, TIME-TAG, PSA	G185M 1921 A	BUFFER-TIME=80; FP-POS=3			130.0 Secs [==>]	[1]
	5	G225M - 21 86 A	(2) G191B2B	COS/NUV, TIME-TAG, PSA	G225M 2186 A	BUFFER-TIME=15 0.; FP-POS=3			241.0 Secs [==>]	[1]
	6	G225M - 23 06 A	(2) G191B2B	COS/NUV, TIME-TAG, PSA	G225M 2306 A	BUFFER-TIME=13 4; FP-POS=3			213.0 Secs [==>]	[1]
	7	G225M - 24 10 A	(2) G191B2B	COS/NUV, TIME-TAG, PSA	G225M 2410 A	BUFFER-TIME=13 9; FP-POS=3			225.0 Secs [==>]	[1]
8	G285M - 26 17 A	(2) G191B2B	COS/NUV, TIME-TAG, PSA	G285M 2617 A	BUFFER-TIME=21 7; FP-POS=3			330.0 Secs [==>]	[2]	
9	G285M - 27 39 A	(2) G191B2B	COS/NUV, TIME-TAG, PSA	G285M 2739 A	BUFFER-TIME=23 9; FP-POS=3			400.0 Secs [==>]	[2]	
10	G285M - 30 94 A	(2) G191B2B	COS/NUV, TIME-TAG, PSA	G285M 3094 A	BUFFER-TIME=63 9; FP-POS=3			1230.0 Secs [==>]	[2]	



Proposal 12421 - Visit M1 - NUV Spectroscopic Sensitivity Monitoring

Thu Oct 21 01:34:43 GMT 2010

Visit	Proposal 12421, Visit M2, implementation Diagnostic Status: No Diagnostics Scientific Instruments: COS/NUV Special Requirements: SCHED 100%; BETWEEN 11-APR-2011:00:00:00 AND 18-APR-2011:00:00:00																											
	Fixed Targets	<table border="1"> <thead> <tr> <th>#</th> <th>Name</th> <th>Target Coordinates</th> <th>Targ. Coord. Corrections</th> <th>Fluxes</th> <th>Miscellaneous</th> </tr> </thead> <tbody> <tr> <td>(2)</td> <td>G191B2B</td> <td>RA: 05 05 30.6060 (76.3775250d) Dec: +52 49 52.74 (52.83132d) Equinox: J2000</td> <td>Proper Motion RA: 0.00071s/yr Proper Motion Dec: -0.0907"/yr Epoch of Position: 1991.25</td> <td>V=11.79</td> <td>Reference Frame: ICRS</td> </tr> <tr> <td colspan="6"><i>Comments: coords, PM from Hipparcos</i></td> </tr> </tbody> </table>										#	Name	Target Coordinates	Targ. Coord. Corrections	Fluxes	Miscellaneous	(2)	G191B2B	RA: 05 05 30.6060 (76.3775250d) Dec: +52 49 52.74 (52.83132d) Equinox: J2000	Proper Motion RA: 0.00071s/yr Proper Motion Dec: -0.0907"/yr Epoch of Position: 1991.25	V=11.79	Reference Frame: ICRS	<i>Comments: coords, PM from Hipparcos</i>				
#	Name	Target Coordinates	Targ. Coord. Corrections	Fluxes	Miscellaneous																							
(2)	G191B2B	RA: 05 05 30.6060 (76.3775250d) Dec: +52 49 52.74 (52.83132d) Equinox: J2000	Proper Motion RA: 0.00071s/yr Proper Motion Dec: -0.0907"/yr Epoch of Position: 1991.25	V=11.79	Reference Frame: ICRS																							
<i>Comments: coords, PM from Hipparcos</i>																												
Exposures	#	Label	Target	Config,Mode,Aperture	Spectral Els.	Opt. Params.	Special Reqs.	Groups	Exp. Time/[Actual Dur.]	Orbit																		
	1	G185M - A CQ/SEARC H	(2) G191B2B	COS/NUV, ACQ/SEARCH, PSA	G185M 1921 A	STEP-SIZE=1.767; SCAN-SIZE=3			1.0 Secs [==>]	[1]																		
	<i>Comments: parameters taken from exposure 1, visit 1 of proposal 11481</i>																											
	2	G185M - A CQ/PEAKX D	(2) G191B2B	COS/NUV, ACQ/PEAKXD, PSA	G185M 1921 A				1.0 Secs [==>]	[1]																		
	<i>Comments: parameters taken from exposure 2, visit 1 of proposal 11481</i>																											
	3	G185M - A CQ/PEAKD	(2) G191B2B	COS/NUV, ACQ/PEAKD, PSA	G185M 1921 A	STEP-SIZE=0.6; NUM-POS=9.0			1.0 Secs [==>]	[1]																		
	4	G185M - 19 21 A	(2) G191B2B	COS/NUV, TIME-TAG, PSA	G185M 1921 A	BUFFER-TIME=80; FP-POS=3			130.0 Secs [==>]	[1]																		
	5	G225M - 21 86 A	(2) G191B2B	COS/NUV, TIME-TAG, PSA	G225M 2186 A	BUFFER-TIME=15 0.;			241.0 Secs [==>]	[1]																		
	6	G225M - 23 06 A	(2) G191B2B	COS/NUV, TIME-TAG, PSA	G225M 2306 A	BUFFER-TIME=13 4; FP-POS=3			213.0 Secs [==>]	[1]																		
	7	G225M - 24 10 A	(2) G191B2B	COS/NUV, TIME-TAG, PSA	G225M 2410 A	BUFFER-TIME=13 9; FP-POS=3			225.0 Secs [==>]	[1]																		
	8	G285M - 26 17 A	(2) G191B2B	COS/NUV, TIME-TAG, PSA	G285M 2617 A	BUFFER-TIME=21 7; FP-POS=3			330.0 Secs [==>]	[2]																		
9	G285M - 27 39 A	(2) G191B2B	COS/NUV, TIME-TAG, PSA	G285M 2739 A	BUFFER-TIME=23 9; FP-POS=3			400.0 Secs [==>]	[2]																			
10	G285M - 30 94 A	(2) G191B2B	COS/NUV, TIME-TAG, PSA	G285M 3094 A	BUFFER-TIME=63 9; FP-POS=3			1230.0 Secs [==>]	[2]																			



Proposal 12421 - Visit M2 - NUV Spectroscopic Sensitivity Monitoring

Thu Oct 21 01:34:44 GMT 2010

Visit	Proposal 12421, Visit M3, implementation Diagnostic Status: No Diagnostics Scientific Instruments: COS/NUV Special Requirements: SCHED 100%; BETWEEN 01-AUG-2011:00:00:00 AND 08-AUG-2011:00:00:00																																																																																																																																											
	Fixed Targets	<table border="1"> <thead> <tr> <th>#</th> <th>Name</th> <th>Target Coordinates</th> <th>Targ. Coord. Corrections</th> <th>Fluxes</th> <th>Miscellaneous</th> </tr> </thead> <tbody> <tr> <td>(2)</td> <td>G191B2B</td> <td>RA: 05 05 30.6060 (76.3775250d) Dec: +52 49 52.74 (52.83132d) Equinox: J2000</td> <td>Proper Motion RA: 0.00071s/yr Proper Motion Dec: -0.0907"/yr Epoch of Position: 1991.25</td> <td>V=11.79</td> <td>Reference Frame: ICRS</td> </tr> <tr> <td colspan="6"><i>Comments: coords, PM from Hipparcos</i></td> </tr> </tbody> </table>										#	Name	Target Coordinates	Targ. Coord. Corrections	Fluxes	Miscellaneous	(2)	G191B2B	RA: 05 05 30.6060 (76.3775250d) Dec: +52 49 52.74 (52.83132d) Equinox: J2000	Proper Motion RA: 0.00071s/yr Proper Motion Dec: -0.0907"/yr Epoch of Position: 1991.25	V=11.79	Reference Frame: ICRS	<i>Comments: coords, PM from Hipparcos</i>																																																																																																																				
#	Name	Target Coordinates	Targ. Coord. Corrections	Fluxes	Miscellaneous																																																																																																																																							
(2)	G191B2B	RA: 05 05 30.6060 (76.3775250d) Dec: +52 49 52.74 (52.83132d) Equinox: J2000	Proper Motion RA: 0.00071s/yr Proper Motion Dec: -0.0907"/yr Epoch of Position: 1991.25	V=11.79	Reference Frame: ICRS																																																																																																																																							
<i>Comments: coords, PM from Hipparcos</i>																																																																																																																																												
Exposures	<table border="1"> <thead> <tr> <th>#</th> <th>Label</th> <th>Target</th> <th>Config,Mode,Aperture</th> <th>Spectral Els.</th> <th>Opt. Params.</th> <th>Special Reqs.</th> <th>Groups</th> <th>Exp. Time/[Actual Dur.]</th> <th>Orbit</th> </tr> </thead> <tbody> <tr> <td>1</td> <td>G185M - A CQ/SEARC H</td> <td>(2) G191B2B</td> <td>COS/NUV, ACQ/SEARCH, PSA</td> <td>G185M 1921 A</td> <td>STEP-SIZE=1.767; SCAN-SIZE=3</td> <td></td> <td></td> <td>1.0 Secs [==>]</td> <td>[1]</td> </tr> <tr> <td colspan="10"><i>Comments: parameters taken from exposure 1, visit 1 of proposal 11481</i></td> </tr> <tr> <td>2</td> <td>G185M - A CQ/PEAKX D</td> <td>(2) G191B2B</td> <td>COS/NUV, ACQ/PEAKXD, PSA</td> <td>G185M 1921 A</td> <td></td> <td></td> <td></td> <td>1.0 Secs [==>]</td> <td>[1]</td> </tr> <tr> <td colspan="10"><i>Comments: parameters taken from exposure 2, visit 1 of proposal 11481</i></td> </tr> <tr> <td>3</td> <td>G185M - A CQ/PEAKD</td> <td>(2) G191B2B</td> <td>COS/NUV, ACQ/PEAKD, PSA</td> <td>G185M 1921 A</td> <td>STEP-SIZE=0.6; NUM-POS=9.0</td> <td></td> <td></td> <td>1.0 Secs [==>]</td> <td>[1]</td> </tr> <tr> <td>4</td> <td>G185M - 19 21 A</td> <td>(2) G191B2B</td> <td>COS/NUV, TIME-TAG, PSA</td> <td>G185M 1921 A</td> <td>BUFFER-TIME=80; FP-POS=3</td> <td></td> <td></td> <td>130.0 Secs [==>]</td> <td>[1]</td> </tr> <tr> <td>5</td> <td>G225M - 21 86 A</td> <td>(2) G191B2B</td> <td>COS/NUV, TIME-TAG, PSA</td> <td>G225M 2186 A</td> <td>BUFFER-TIME=15 0.0; FP-POS=3</td> <td></td> <td></td> <td>241.0 Secs [==>]</td> <td>[1]</td> </tr> <tr> <td>6</td> <td>G225M - 23 06 A</td> <td>(2) G191B2B</td> <td>COS/NUV, TIME-TAG, PSA</td> <td>G225M 2306 A</td> <td>BUFFER-TIME=13 4; FP-POS=3</td> <td></td> <td></td> <td>213.0 Secs [==>]</td> <td>[1]</td> </tr> <tr> <td>7</td> <td>G225M - 24 10 A</td> <td>(2) G191B2B</td> <td>COS/NUV, TIME-TAG, PSA</td> <td>G225M 2410 A</td> <td>BUFFER-TIME=13 9; FP-POS=3</td> <td></td> <td></td> <td>225.0 Secs [==>]</td> <td>[1]</td> </tr> <tr> <td>8</td> <td>G285M - 26 17 A</td> <td>(2) G191B2B</td> <td>COS/NUV, TIME-TAG, PSA</td> <td>G285M 2617 A</td> <td>BUFFER-TIME=21 7; FP-POS=3</td> <td></td> <td></td> <td>330.0 Secs [==>]</td> <td>[2]</td> </tr> <tr> <td>9</td> <td>G285M - 27 39 A</td> <td>(2) G191B2B</td> <td>COS/NUV, TIME-TAG, PSA</td> <td>G285M 2739 A</td> <td>BUFFER-TIME=23 9; FP-POS=3</td> <td></td> <td></td> <td>400.0 Secs [==>]</td> <td>[2]</td> </tr> <tr> <td>10</td> <td>G285M - 30 94 A</td> <td>(2) G191B2B</td> <td>COS/NUV, TIME-TAG, PSA</td> <td>G285M 3094 A</td> <td>BUFFER-TIME=63 9; FP-POS=3</td> <td></td> <td></td> <td>1230.0 Secs [==>]</td> <td>[2]</td> </tr> </tbody> </table>										#	Label	Target	Config,Mode,Aperture	Spectral Els.	Opt. Params.	Special Reqs.	Groups	Exp. Time/[Actual Dur.]	Orbit	1	G185M - A CQ/SEARC H	(2) G191B2B	COS/NUV, ACQ/SEARCH, PSA	G185M 1921 A	STEP-SIZE=1.767; SCAN-SIZE=3			1.0 Secs [==>]	[1]	<i>Comments: parameters taken from exposure 1, visit 1 of proposal 11481</i>										2	G185M - A CQ/PEAKX D	(2) G191B2B	COS/NUV, ACQ/PEAKXD, PSA	G185M 1921 A				1.0 Secs [==>]	[1]	<i>Comments: parameters taken from exposure 2, visit 1 of proposal 11481</i>										3	G185M - A CQ/PEAKD	(2) G191B2B	COS/NUV, ACQ/PEAKD, PSA	G185M 1921 A	STEP-SIZE=0.6; NUM-POS=9.0			1.0 Secs [==>]	[1]	4	G185M - 19 21 A	(2) G191B2B	COS/NUV, TIME-TAG, PSA	G185M 1921 A	BUFFER-TIME=80; FP-POS=3			130.0 Secs [==>]	[1]	5	G225M - 21 86 A	(2) G191B2B	COS/NUV, TIME-TAG, PSA	G225M 2186 A	BUFFER-TIME=15 0.0; FP-POS=3			241.0 Secs [==>]	[1]	6	G225M - 23 06 A	(2) G191B2B	COS/NUV, TIME-TAG, PSA	G225M 2306 A	BUFFER-TIME=13 4; FP-POS=3			213.0 Secs [==>]	[1]	7	G225M - 24 10 A	(2) G191B2B	COS/NUV, TIME-TAG, PSA	G225M 2410 A	BUFFER-TIME=13 9; FP-POS=3			225.0 Secs [==>]	[1]	8	G285M - 26 17 A	(2) G191B2B	COS/NUV, TIME-TAG, PSA	G285M 2617 A	BUFFER-TIME=21 7; FP-POS=3			330.0 Secs [==>]	[2]	9	G285M - 27 39 A	(2) G191B2B	COS/NUV, TIME-TAG, PSA	G285M 2739 A	BUFFER-TIME=23 9; FP-POS=3			400.0 Secs [==>]	[2]	10	G285M - 30 94 A	(2) G191B2B	COS/NUV, TIME-TAG, PSA	G285M 3094 A	BUFFER-TIME=63 9; FP-POS=3			1230.0 Secs [==>]	[2]
	#	Label	Target	Config,Mode,Aperture	Spectral Els.	Opt. Params.	Special Reqs.	Groups	Exp. Time/[Actual Dur.]	Orbit																																																																																																																																		
	1	G185M - A CQ/SEARC H	(2) G191B2B	COS/NUV, ACQ/SEARCH, PSA	G185M 1921 A	STEP-SIZE=1.767; SCAN-SIZE=3			1.0 Secs [==>]	[1]																																																																																																																																		
	<i>Comments: parameters taken from exposure 1, visit 1 of proposal 11481</i>																																																																																																																																											
	2	G185M - A CQ/PEAKX D	(2) G191B2B	COS/NUV, ACQ/PEAKXD, PSA	G185M 1921 A				1.0 Secs [==>]	[1]																																																																																																																																		
	<i>Comments: parameters taken from exposure 2, visit 1 of proposal 11481</i>																																																																																																																																											
	3	G185M - A CQ/PEAKD	(2) G191B2B	COS/NUV, ACQ/PEAKD, PSA	G185M 1921 A	STEP-SIZE=0.6; NUM-POS=9.0			1.0 Secs [==>]	[1]																																																																																																																																		
	4	G185M - 19 21 A	(2) G191B2B	COS/NUV, TIME-TAG, PSA	G185M 1921 A	BUFFER-TIME=80; FP-POS=3			130.0 Secs [==>]	[1]																																																																																																																																		
	5	G225M - 21 86 A	(2) G191B2B	COS/NUV, TIME-TAG, PSA	G225M 2186 A	BUFFER-TIME=15 0.0; FP-POS=3			241.0 Secs [==>]	[1]																																																																																																																																		
	6	G225M - 23 06 A	(2) G191B2B	COS/NUV, TIME-TAG, PSA	G225M 2306 A	BUFFER-TIME=13 4; FP-POS=3			213.0 Secs [==>]	[1]																																																																																																																																		
	7	G225M - 24 10 A	(2) G191B2B	COS/NUV, TIME-TAG, PSA	G225M 2410 A	BUFFER-TIME=13 9; FP-POS=3			225.0 Secs [==>]	[1]																																																																																																																																		
8	G285M - 26 17 A	(2) G191B2B	COS/NUV, TIME-TAG, PSA	G285M 2617 A	BUFFER-TIME=21 7; FP-POS=3			330.0 Secs [==>]	[2]																																																																																																																																			
9	G285M - 27 39 A	(2) G191B2B	COS/NUV, TIME-TAG, PSA	G285M 2739 A	BUFFER-TIME=23 9; FP-POS=3			400.0 Secs [==>]	[2]																																																																																																																																			
10	G285M - 30 94 A	(2) G191B2B	COS/NUV, TIME-TAG, PSA	G285M 3094 A	BUFFER-TIME=63 9; FP-POS=3			1230.0 Secs [==>]	[2]																																																																																																																																			

