



12499 - Proper Motions of Massive Stars in 30 Doradus

Cycle: 19, Proposal Category: GO

(Availability Mode: SUPPORTED)

INVESTIGATORS

| <i>Name</i> | <i>Institution</i> | <i>E-Mail</i> |
|---|--|-------------------------------|
| Dr. Daniel J. Lennon (PI) (ESA Member) | Space Telescope Science Institute - ESA | lennon@stsci.edu |
| Dr. Roeland P. van der Marel (CoI) (AdminUSPI) | Space Telescope Science Institute | marel@stsci.edu |
| Dr. Nolan R. Walborn (CoI) | Space Telescope Science Institute | walborn@stsci.edu |
| Dr. Christopher J. Evans (CoI) (ESA Member) | Royal Observatory Edinburgh | chris.evans@stfc.ac.uk |
| Dr. Jay Anderson (CoI) | Space Telescope Science Institute | jayander@stsci.edu |
| Dr. Hugues Sana (CoI) (ESA Member) | Universiteit van Amsterdam | h.sana@uva.nl |
| Dr. Luigi R. Bedin (CoI) (ESA Member) (Contact) | Osservatorio Astronomico di Padova | luigi.bedin@oapd.inaf.it |
| Dr. Sangmo Tony Sohn (CoI) | Space Telescope Science Institute | tsohn@stsci.edu |
| Dr. Norbert Langer (CoI) (ESA Member) | Universitat Bonn, Argelander Institute for Astronomy | nlander@astro.uni-bonn.de |
| Dr. Selma de Mink (CoI) | Space Telescope Science Institute | demink@stsci.edu |
| Prof. Paul A. Crowther (CoI) (ESA Member) | University of Sheffield | paul.crowther@sheffield.ac.uk |
| Dr. Artemio Herrero (CoI) (ESA Member) | Instituto de Astrofisica de Canarias | ahd@ll.iac.es |
| Dr. Nate Bastian (CoI) (ESA Member) | Universitats-Sternwarte Munchen | bastian@astro.ex.ac.uk |
| Mr. E. Bressert (CoI) (ESA Member) | European Southern Observatory - Germany | ebresser@eso.org |

VISITS

| <i>Visit</i> | <i>Targets used in Visit</i> | <i>Configurations used in Visit</i> | <i>Orbits Used</i> | <i>Last Orbit Planner Run</i> | <i>OP Current with Visit?</i> |
|--------------|------------------------------|-------------------------------------|--------------------|-------------------------------|-------------------------------|
| 01 | (1) 30-DOR | ACS/WFC WFC3/UVIS | 1 | 14-Oct-2011 21:02:07.0 | yes |
| 02 | (1) 30-DOR | ACS/WFC WFC3/UVIS | 1 | 14-Oct-2011 21:02:23.0 | yes |

Proposal 12499 (STScI Edit Number: 6, Created: Friday, October 14, 2011 8:05:35 PM EST) - Overview

| <i>Visit</i> | <i>Targets used in Visit</i> | <i>Configurations used in Visit</i> | <i>Orbits Used</i> | <i>Last Orbit Planner Run</i> | <i>OP Current with Visit?</i> |
|--------------|------------------------------|-------------------------------------|--------------------|-------------------------------|-------------------------------|
| 03 | (1) 30-DOR | ACS/WFC WFC3/UVIS | 1 | 14-Oct-2011 21:02:39.0 | yes |
| 04 | (1) 30-DOR | ACS/WFC WFC3/UVIS | 1 | 14-Oct-2011 21:02:52.0 | yes |
| 05 | (1) 30-DOR | ACS/WFC WFC3/UVIS | 1 | 14-Oct-2011 21:03:03.0 | yes |
| 06 | (1) 30-DOR | ACS/WFC WFC3/UVIS | 1 | 14-Oct-2011 21:03:17.0 | yes |
| 07 | (1) 30-DOR | ACS/WFC WFC3/UVIS | 1 | 14-Oct-2011 21:03:31.0 | yes |
| 09 | (1) 30-DOR | ACS/WFC WFC3/UVIS | 1 | 14-Oct-2011 21:03:43.0 | yes |
| 10 | (1) 30-DOR | ACS/WFC WFC3/UVIS | 1 | 14-Oct-2011 21:03:59.0 | yes |
| 11 | (1) 30-DOR | ACS/WFC WFC3/UVIS | 1 | 14-Oct-2011 21:04:09.0 | yes |
| 12 | (1) 30-DOR | ACS/WFC WFC3/UVIS | 1 | 14-Oct-2011 21:04:22.0 | yes |
| 13 | (1) 30-DOR | ACS/WFC WFC3/UVIS | 1 | 14-Oct-2011 21:04:35.0 | yes |
| 53 | (1) 30-DOR | ACS/WFC WFC3/UVIS | 1 | 14-Oct-2011 21:04:44.0 | yes |
| 14 | (1) 30-DOR | ACS/WFC WFC3/UVIS | 1 | 14-Oct-2011 21:04:55.0 | yes |
| 15 | (1) 30-DOR | ACS/WFC WFC3/UVIS | 1 | 14-Oct-2011 21:05:15.0 | yes |
| 16 | (1) 30-DOR | ACS/WFC WFC3/UVIS | 1 | 14-Oct-2011 21:05:27.0 | yes |

16 Total Orbits Used

ABSTRACT

We propose an ambitious proper motion survey of massive stars in the 30 Doradus region of the Large Magellanic Cloud using the unique capabilities of HST. We will derive the directions of motion of massive runaway stars, searching in particular for massive stars which have been ejected from the central very massive cluster R136. These data will be combined with radial velocities from the VLT-FLAMES Survey of the Tarantula Nebula and with atmospheric analyses and stellar evolution models to constrain their origins. We will also search for very young isolated massive stars to test models of single-star formation. This work is highly relevant to star formation, cluster dynamics, the origin of field WR stars and GRBs, the creation of very massive stars by runaway mergers, and the possible formation of intermediate-mass black holes.

OBSERVING DESCRIPTION

This is the first epoch of a two-epoch astrometric program.

Observations of epoch I need to be taken as soon as possible.

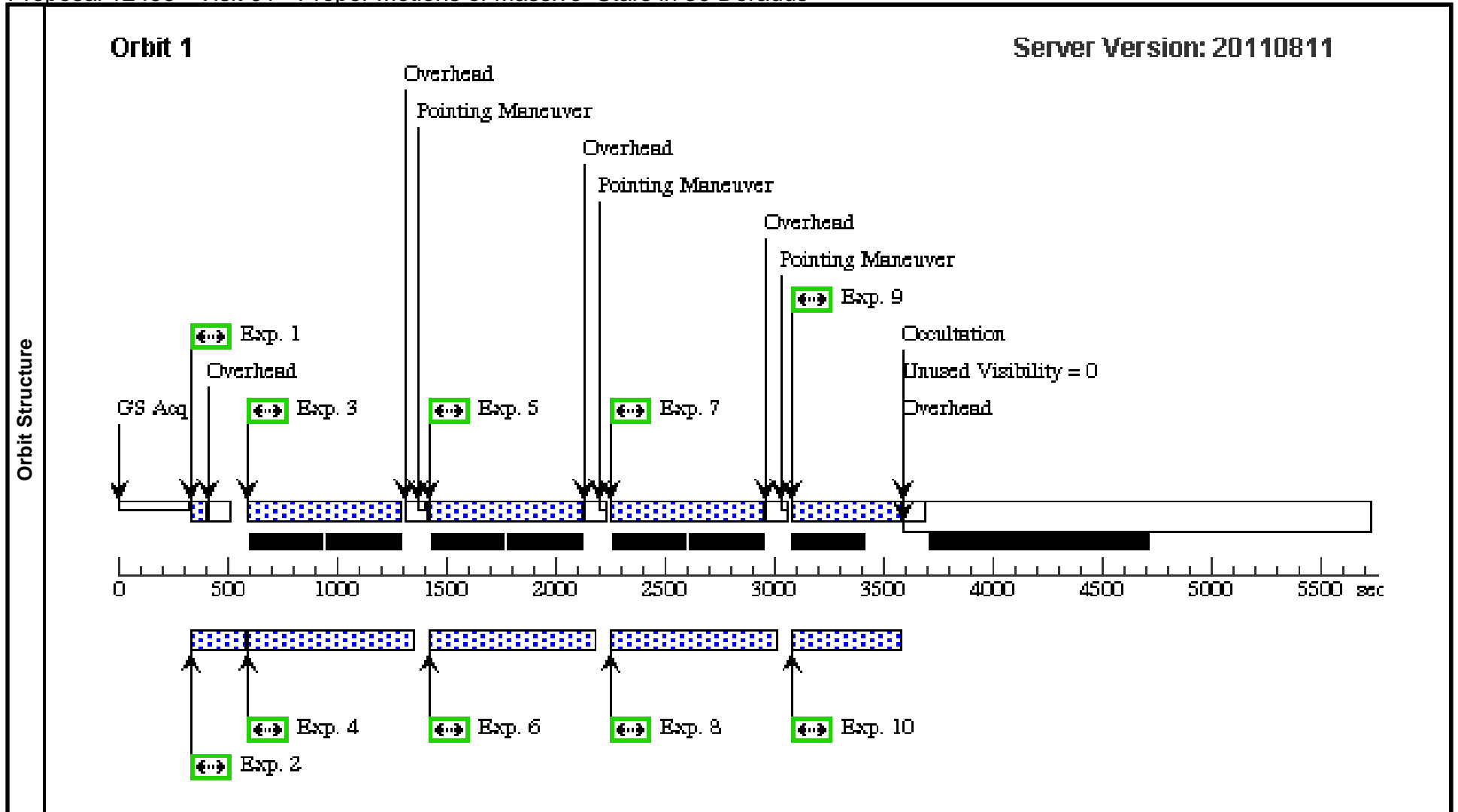
All visits will have the same orient of visit01.

The first epoch needs to be taken at an ORIENT angle that will allow a second epoch at ORIENT+180degree if we want a color information. ...indeed, the GD is going to change anyway. We will perform selfcalibration within each epoch.

Proposal 12499 - Visit 01 - Proper Motions of Massive Stars in 30 Doradus

Sat Oct 15 01:05:37 GMT 2011

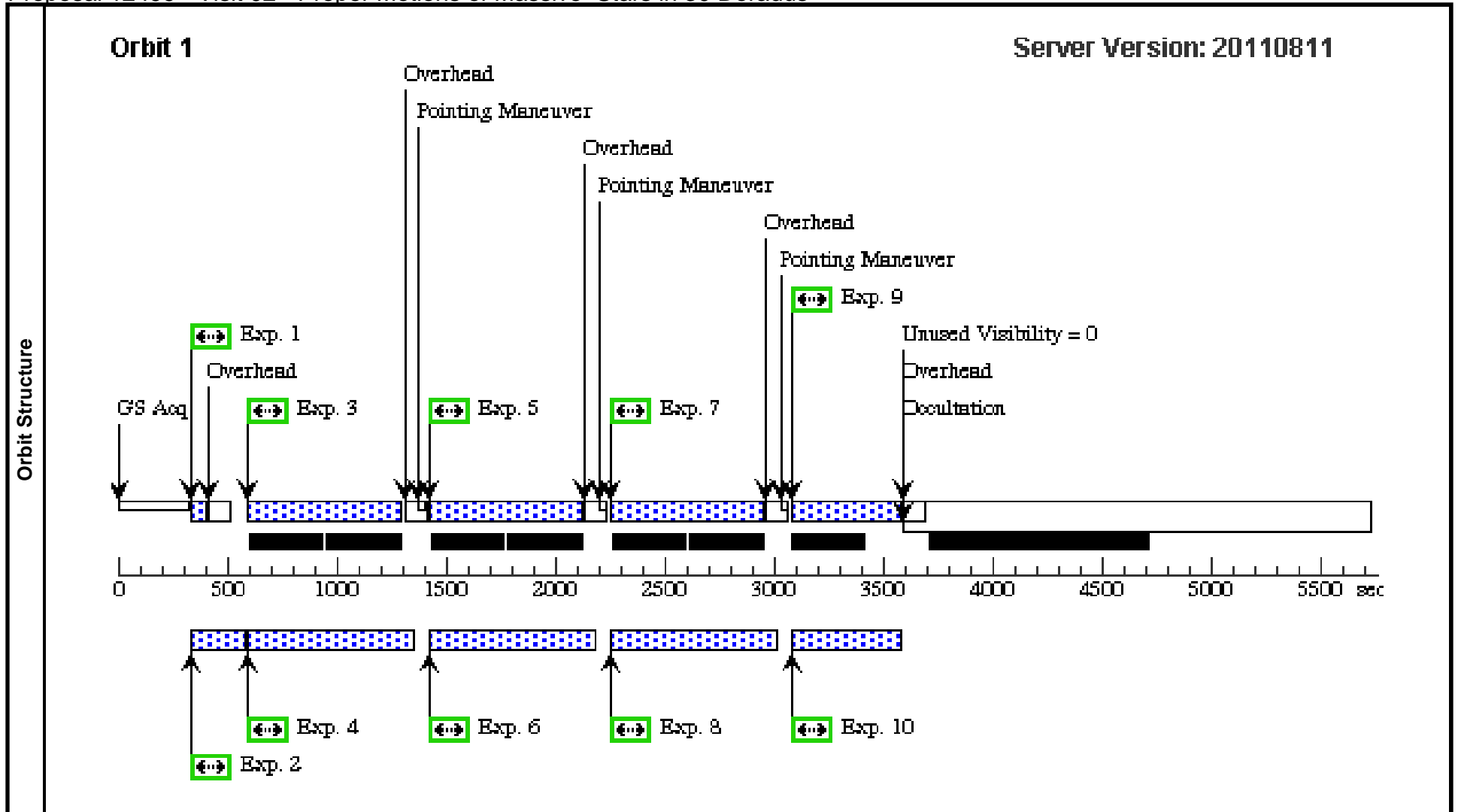
| Visit | Proposal 12499, Visit 01, completed Diagnostic Status: Warning Scientific Instruments: WFC3/UVIS, ACS/WFC Special Requirements: ORIENT 280D TO 280 D; BEFORE 31-OCT-2011:23:59:59 | | | | | | | | | |
|--|--|--------|---|-------------------------------|---------------|-----------------------|---|--|-------------------------|-------|
| | (Tile Visit 01) Warning (Orbit Planner): PARALLELS SIGNIFICANTLY EXTEND ALIGNMENT TIME | | | | | | | | | |
| Fixed Targets | # | Name | Target Coordinates | Targ. Coord. Corrections | Fluxes | Miscellaneous | | | | |
| | (1) | 30-DOR | RA: 05 37 45.1809 (84.4382538d) Dec: -69 05 22.22 (-69.08951d) Equinox: J2000 | | V=16+/-1 | Reference Frame: ICRS | | | | |
| <i>Comments: This object was generated by the targetselector and retrieved from the SIMBAD database.</i> | | | | | | | | | | |
| Exposures | # | Label | Target | Config,Mode,Aperture | Spectral Els. | Opt. Params. | Special Reqs. | Groups | Exp. Time/[Actual Dur.] | Orbit |
| | 1 | | (1) 30-DOR | WFC3/UVIS, ACCUM, UVIS-CENTER | F775W | | POS TARG -411.86 09296538416,-127.3 3689999999999 | Prime + Parallel Group 1-2 in Tile Visit 01 | 35 Secs [==>] | [1] |
| | 2 | | (1) 30-DOR | ACS/WFC, ACCUM, WFC | F775W | | | Prime + Parallel Group 1-2 in Tile Visit 01 | 32 Secs [==>] | [1] |
| | 3 | | (1) 30-DOR | WFC3/UVIS, ACCUM, UVIS-CENTER | F775W | | POS TARG -411.86 09296538416,-127.3 3689999999999 | Prime + Parallel Group 3-4 in Tile Visit 01 | 699 Secs [==>] | [1] |
| | 4 | | (1) 30-DOR | ACS/WFC, ACCUM, WFC | F775W | | | Prime + Parallel Group 3-4 in Tile Visit 01 | 640 Secs [==>] | [1] |
| | 5 | | (1) 30-DOR | WFC3/UVIS, ACCUM, UVIS-CENTER | F775W | | POS TARG -391.86 09296538416,-107.3 3689999999999 | Prime + Parallel Group 5-6 in Tile Visit 01 | 699 Secs [==>] | [1] |
| | 6 | | (1) 30-DOR | ACS/WFC, ACCUM, WFC | F775W | | | Prime + Parallel Group 5-6 in Tile Visit 01 | 640 Secs [==>] | [1] |
| | 7 | | (1) 30-DOR | WFC3/UVIS, ACCUM, UVIS-CENTER | F775W | | POS TARG -371.86 09296538416,-87.33 6899999999999 | Prime + Parallel Group 7-8 in Tile Visit 01 | 699 Secs [==>] | [1] |
| | 8 | | (1) 30-DOR | ACS/WFC, ACCUM, WFC | F775W | | | Prime + Parallel Group 7-8 in Tile Visit 01 | 640 Secs [==>] | [1] |
| | 9 | | (1) 30-DOR | WFC3/UVIS, ACCUM, UVIS-CENTER | F775W | | POS TARG -351.86 09296538416,-67.33 6899999999999 | Prime + Parallel Group 9-10 in Tile Visit 01 | 507 Secs [==>] | [1] |
| | 10 | | (1) 30-DOR | ACS/WFC, ACCUM, WFC | F775W | | | Prime + Parallel Group 9-10 in Tile Visit 01 | 377 Secs [==>] | [1] |



Proposal 12499 - Visit 02 - Proper Motions of Massive Stars in 30 Doradus

Sat Oct 15 01:05:38 GMT 2011

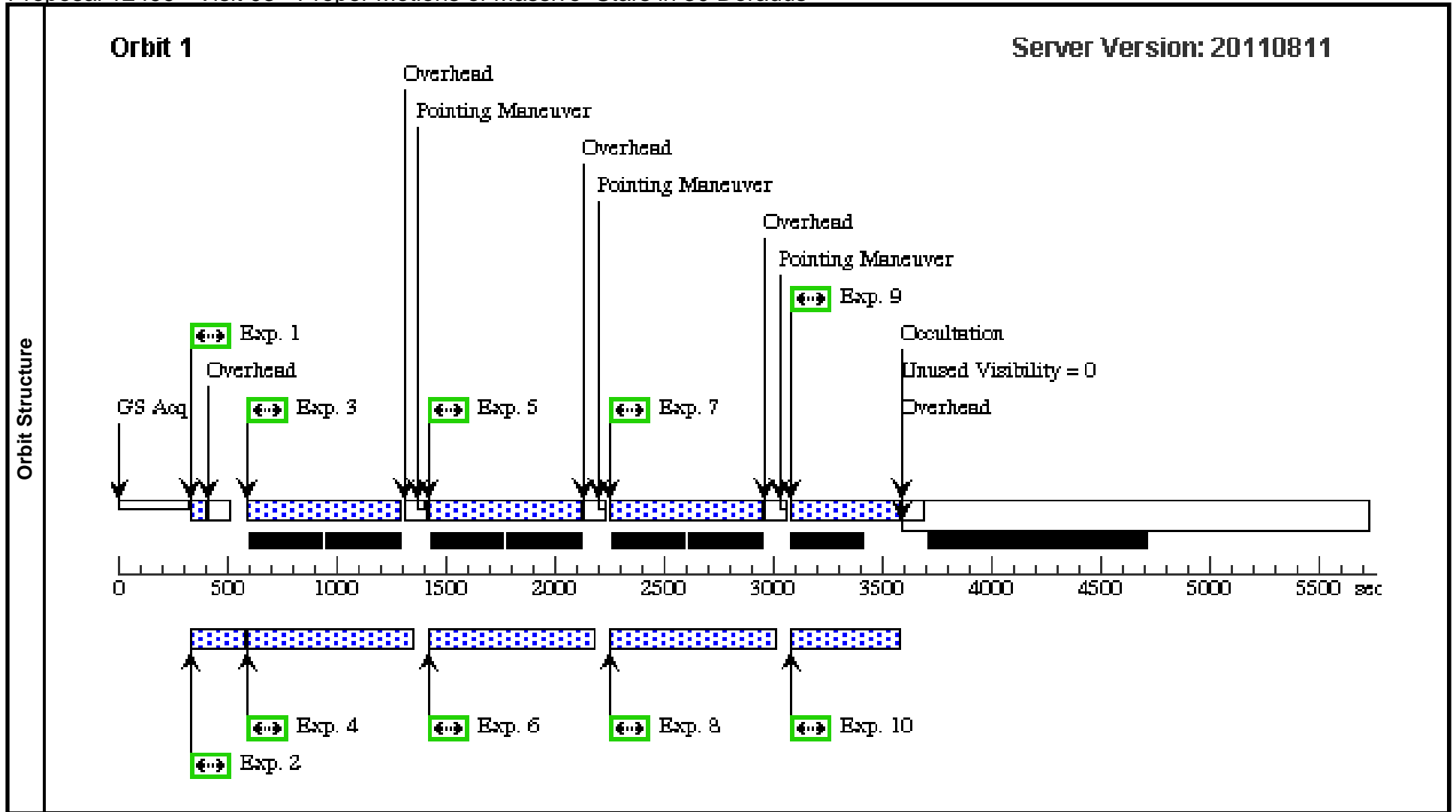
| Visit | Proposal 12499, Visit 02, completed Diagnostic Status: Warning Scientific Instruments: WFC3/UVIS, ACS/WFC Special Requirements: SAME ORIENT AS 01; BEFORE 31-OCT-2011:23:59:59 | | | | | | | | | |
|--|---|------------|---------------------|---|---------------|---------------|---|--|-------------------------|-------|
| | (Tile Visit 02) Warning (Orbit Planner): PARALLELS SIGNIFICANTLY EXTEND ALIGNMENT TIME | | | | | | | | | |
| Fixed Targets | # | Name | Target Coordinates | Targ. Coord. Corrections | Fluxes | Miscellaneous | | | | |
| | | (1) | 30-DOR | RA: 05 37 45.1809 (84.4382538d) Dec: -69 05 22.22 (-69.08951d) Equinox: J2000 | | V=16+/-1 | Reference Frame: ICRS | | | |
| <i>Comments: This object was generated by the targetselector and retrieved from the SIMBAD database.</i> | | | | | | | | | | |
| Exposures | # | Label | Target | Config,Mode,Aperture | Spectral Els. | Opt. Params. | Special Reqs. | Groups | Exp. Time/[Actual Dur.] | Orbit |
| | 1 | | (1) 30-DOR | WFC3/UVIS, ACCUM, UVIS-CENTER | F775W | | POS TARG -305.61 4949752744,-127.33 6899999999999 | Prime + Parallel Group 1-2 in Tile Visit 02 | 35 Secs [==>] | [1] |
| | 2 | | (1) 30-DOR | ACS/WFC, ACCUM, WFC | F775W | | | Prime + Parallel Group 1-2 in Tile Visit 02 | 32 Secs [==>] | [1] |
| | 3 | | (1) 30-DOR | WFC3/UVIS, ACCUM, UVIS-CENTER | F775W | | POS TARG -305.61 4949752744,-127.33 6899999999999 | Prime + Parallel Group 3-4 in Tile Visit 02 | 699 Secs [==>] | [1] |
| | 4 | | (1) 30-DOR | ACS/WFC, ACCUM, WFC | F775W | | | Prime + Parallel Group 3-4 in Tile Visit 02 | 640 Secs [==>] | [1] |
| | 5 | | (1) 30-DOR | WFC3/UVIS, ACCUM, UVIS-CENTER | F775W | | POS TARG -285.61 4949752744,-107.33 6899999999999 | Prime + Parallel Group 5-6 in Tile Visit 02 | 699 Secs [==>] | [1] |
| | 6 | | (1) 30-DOR | ACS/WFC, ACCUM, WFC | F775W | | | Prime + Parallel Group 5-6 in Tile Visit 02 | 640 Secs [==>] | [1] |
| | 7 | | (1) 30-DOR | WFC3/UVIS, ACCUM, UVIS-CENTER | F775W | | POS TARG -265.61 4949752744,-87.336 8999999999999 | Prime + Parallel Group 7-8 in Tile Visit 02 | 699 Secs [==>] | [1] |
| | 8 | | (1) 30-DOR | ACS/WFC, ACCUM, WFC | F775W | | | Prime + Parallel Group 7-8 in Tile Visit 02 | 640 Secs [==>] | [1] |
| | 9 | | (1) 30-DOR | WFC3/UVIS, ACCUM, UVIS-CENTER | F775W | | POS TARG -245.61 4949752744,-67.336 8999999999999 | Prime + Parallel Group 9-10 in Tile Visit 02 | 507 Secs [==>] | [1] |
| 10 | | (1) 30-DOR | ACS/WFC, ACCUM, WFC | F775W | | | Prime + Parallel Group 9-10 in Tile Visit 02 | 377 Secs [==>] | [1] | |



Proposal 12499 - Visit 03 - Proper Motions of Massive Stars in 30 Doradus

Sat Oct 15 01:05:39 GMT 2011

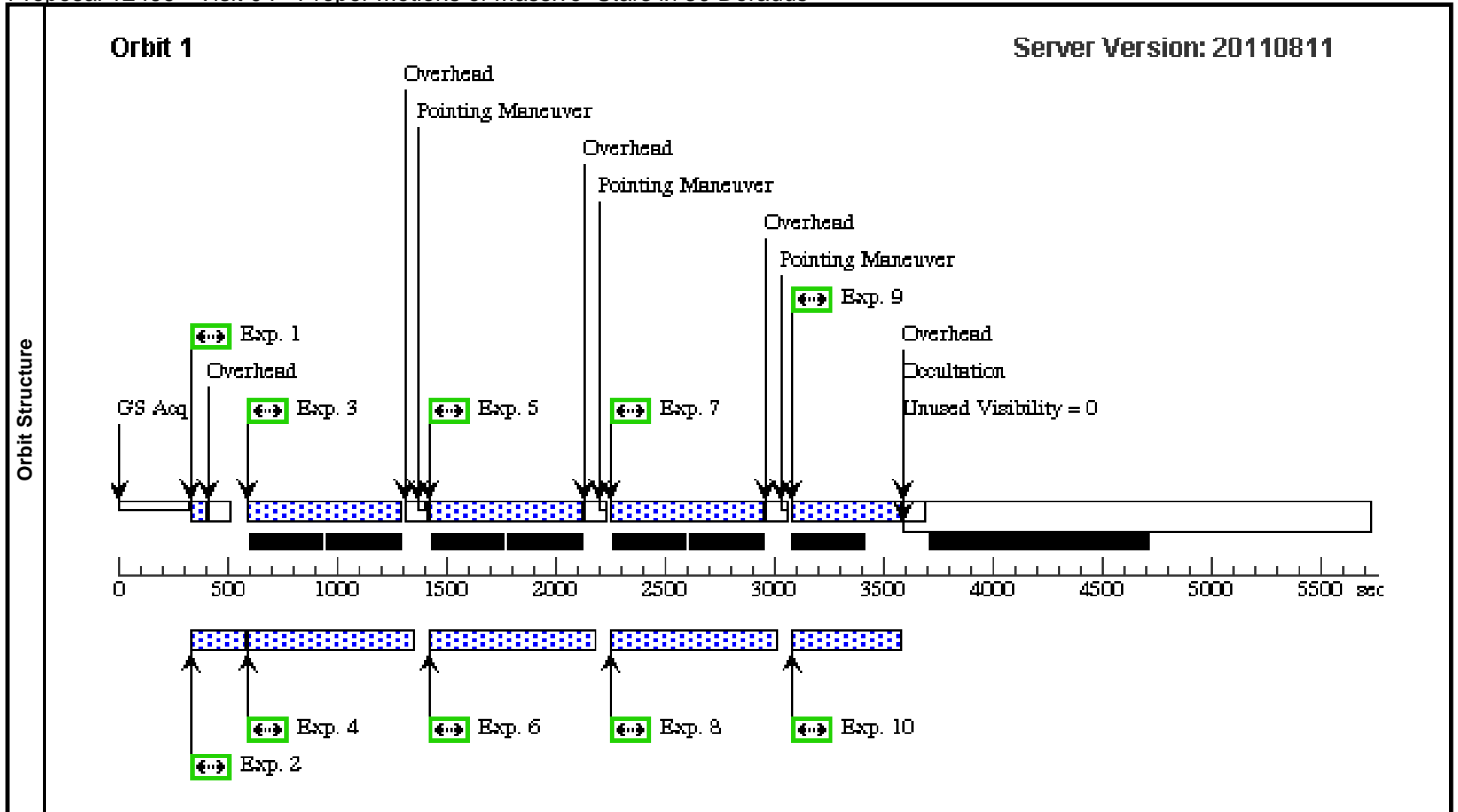
| Visit | Proposal 12499, Visit 03, completed Diagnostic Status: Warning Scientific Instruments: WFC3/UVIS, ACS/WFC Special Requirements: SAME ORIENT AS 01; BEFORE 31-OCT-2011:23:59:59 | | | | | | | | | |
|---------------|---|------------|---------------------|---|---------------|---------------|--|--|-------------------------|-------|
| | (Tile Visit 03) Warning (Orbit Planner): PARALLELS SIGNIFICANTLY EXTEND ALIGNMENT TIME | | | | | | | | | |
| Fixed Targets | # | Name | Target Coordinates | Targ. Coord. Corrections | Fluxes | Miscellaneous | | | | |
| | | (1) | 30-DOR | RA: 05 37 45.1809 (84.4382538d) Dec: -69 05 22.22 (-69.08951d) Equinox: J2000 | | V=16+/-1 | Reference Frame: ICRS | | | |
| | <i>Comments: This object was generated by the targetselector and retrieved from the SIMBAD database.</i> | | | | | | | | | |
| Exposures | # | Label | Target | Config,Mode,Aperture | Spectral Els. | Opt. Params. | Special Reqs. | Groups | Exp. Time/[Actual Dur.] | Orbit |
| | 1 | | (1) 30-DOR | WFC3/UVIS, ACCUM, UVIS-CENTER | F775W | | POS TARG -199.36 89698516464,-127.3 3689999999999; | Prime + Parallel Group 1-2 in Tile Visit 03 | 35 Secs [==>] | [1] |
| | 2 | | (1) 30-DOR | ACS/WFC, ACCUM, WFC | F775W | | | Prime + Parallel Group 1-2 in Tile Visit 03 | 32 Secs [==>] | [1] |
| | 3 | | (1) 30-DOR | WFC3/UVIS, ACCUM, UVIS-CENTER | F775W | | POS TARG -199.36 89698516464,-127.3 3689999999999 | Prime + Parallel Group 3-4 in Tile Visit 03 | 699 Secs [==>] | [1] |
| | 4 | | (1) 30-DOR | ACS/WFC, ACCUM, WFC | F775W | | | Prime + Parallel Group 3-4 in Tile Visit 03 | 640 Secs [==>] | [1] |
| | 5 | | (1) 30-DOR | WFC3/UVIS, ACCUM, UVIS-CENTER | F775W | | POS TARG -179.36 89698516464,-107.3 3689999999999 | Prime + Parallel Group 5-6 in Tile Visit 03 | 699 Secs [==>] | [1] |
| | 6 | | (1) 30-DOR | ACS/WFC, ACCUM, WFC | F775W | | | Prime + Parallel Group 5-6 in Tile Visit 03 | 640 Secs [==>] | [1] |
| | 7 | | (1) 30-DOR | WFC3/UVIS, ACCUM, UVIS-CENTER | F775W | | POS TARG -159.36 89698516464,-87.33 6899999999999 | Prime + Parallel Group 7-8 in Tile Visit 03 | 699 Secs [==>] | [1] |
| | 8 | | (1) 30-DOR | ACS/WFC, ACCUM, WFC | F775W | | | Prime + Parallel Group 7-8 in Tile Visit 03 | 640 Secs [==>] | [1] |
| | 9 | | (1) 30-DOR | WFC3/UVIS, ACCUM, UVIS-CENTER | F775W | | POS TARG -139.36 89698516464,-67.33 6899999999999 | Prime + Parallel Group 9-10 in Tile Visit 03 | 507 Secs [==>] | [1] |
| 10 | | (1) 30-DOR | ACS/WFC, ACCUM, WFC | F775W | | | Prime + Parallel Group 9-10 in Tile Visit 03 | 377 Secs [==>] | [1] | |



Proposal 12499 - Visit 04 - Proper Motions of Massive Stars in 30 Doradus

Sat Oct 15 01:05:41 GMT 2011

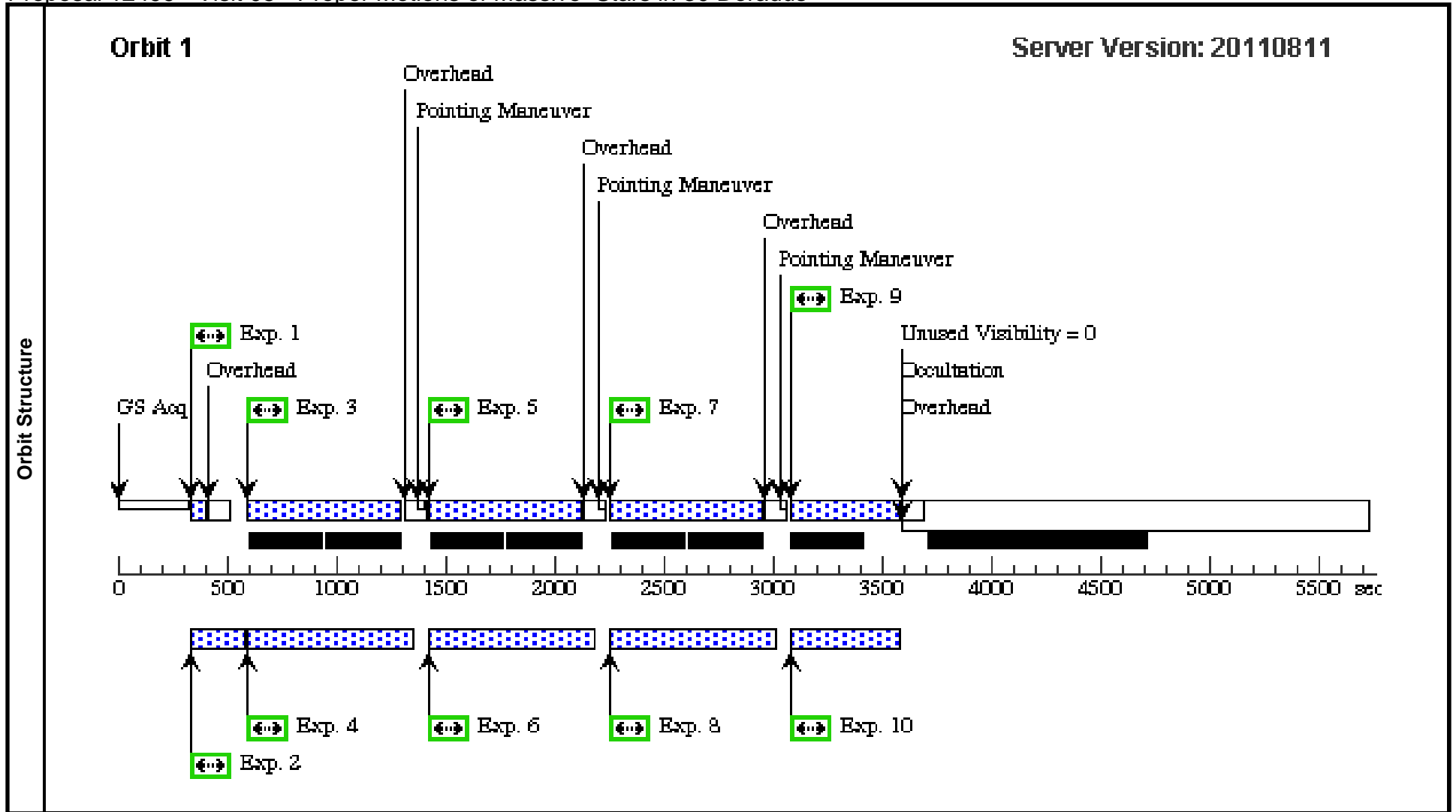
| Visit | Proposal 12499, Visit 04, completed Diagnostic Status: Warning Scientific Instruments: WFC3/UVIS, ACS/WFC Special Requirements: ORIENT 290D TO 290 D; BEFORE 31-OCT-2011:23:59:59 | | | | | | | | | |
|---------------|--|------------|---------------------|---|---------------|---------------|---|--|-------------------------|-------|
| | (Tile Visit 04) Warning (Orbit Planner): PARALLELS SIGNIFICANTLY EXTEND ALIGNMENT TIME | | | | | | | | | |
| Fixed Targets | # | Name | Target Coordinates | Targ. Coord. Corrections | Fluxes | Miscellaneous | | | | |
| | | (1) | 30-DOR | RA: 05 37 45.1809 (84.4382538d) Dec: -69 05 22.22 (-69.08951d) Equinox: J2000 | | V=16+/-1 | Reference Frame: ICRS | | | |
| | <i>Comments: This object was generated by the targetselector and retrieved from the SIMBAD database.</i> | | | | | | | | | |
| Exposures | # | Label | Target | Config,Mode,Aperture | Spectral Els. | Opt. Params. | Special Reqs. | Groups | Exp. Time/[Actual Dur.] | Orbit |
| | 1 | | (1) 30-DOR | WFC3/UVIS, ACCUM, UVIS-CENTER | F775W | | POS TARG -93.122 9899505488,-127.33 689999999999; GS ACQ SCENARI O BASE1B3 | Prime + Parallel Group 1-2 in Tile Visit 04 | 35 Secs [==>] | [1] |
| | 2 | | (1) 30-DOR | ACS/WFC, ACCUM, WFC | F775W | | | Prime + Parallel Group 1-2 in Tile Visit 04 | 32 Secs [==>] | [1] |
| | 3 | | (1) 30-DOR | WFC3/UVIS, ACCUM, UVIS-CENTER | F775W | | POS TARG -93.122 9899505488,-127.33 689999999999 | Prime + Parallel Group 3-4 in Tile Visit 04 | 699 Secs [==>] | [1] |
| | 4 | | (1) 30-DOR | ACS/WFC, ACCUM, WFC | F775W | | | Prime + Parallel Group 3-4 in Tile Visit 04 | 640 Secs [==>] | [1] |
| | 5 | | (1) 30-DOR | WFC3/UVIS, ACCUM, UVIS-CENTER | F775W | | POS TARG -73.122 9899505488,-107.33 689999999999 | Prime + Parallel Group 5-6 in Tile Visit 04 | 699 Secs [==>] | [1] |
| | 6 | | (1) 30-DOR | ACS/WFC, ACCUM, WFC | F775W | | | Prime + Parallel Group 5-6 in Tile Visit 04 | 640 Secs [==>] | [1] |
| | 7 | | (1) 30-DOR | WFC3/UVIS, ACCUM, UVIS-CENTER | F775W | | POS TARG -53.122 9899505488,-87.336 899999999999 | Prime + Parallel Group 7-8 in Tile Visit 04 | 699 Secs [==>] | [1] |
| | 8 | | (1) 30-DOR | ACS/WFC, ACCUM, WFC | F775W | | | Prime + Parallel Group 7-8 in Tile Visit 04 | 640 Secs [==>] | [1] |
| | 9 | | (1) 30-DOR | WFC3/UVIS, ACCUM, UVIS-CENTER | F775W | | POS TARG -33.122 9899505488,-67.336 899999999999 | Prime + Parallel Group 9-10 in Tile Visit 04 | 507 Secs [==>] | [1] |
| 10 | | (1) 30-DOR | ACS/WFC, ACCUM, WFC | F775W | | | Prime + Parallel Group 9-10 in Tile Visit 04 | 377 Secs [==>] | [1] | |



Proposal 12499 - Visit 05 - Proper Motions of Massive Stars in 30 Doradus

Sat Oct 15 01:05:41 GMT 2011

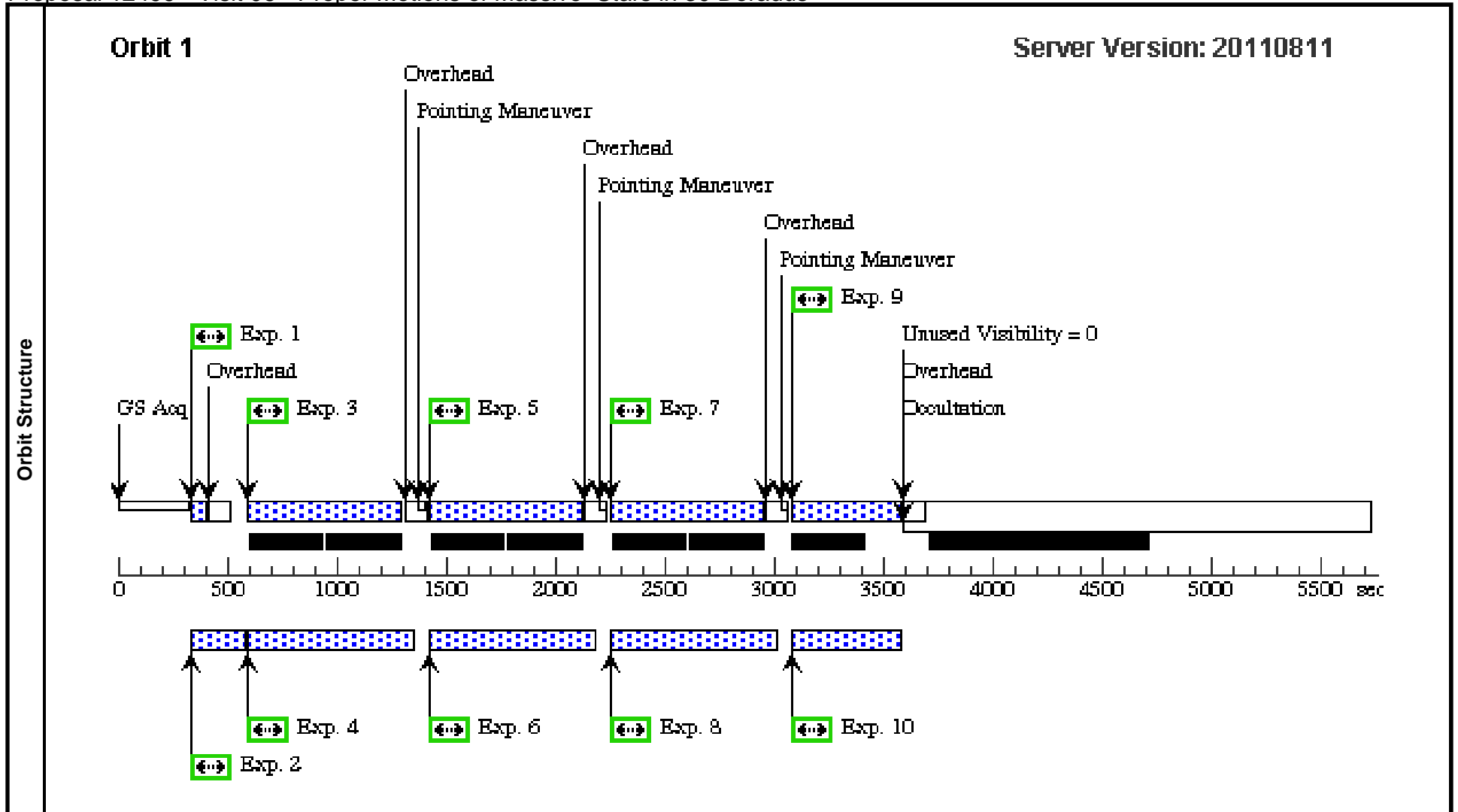
| Visit | Proposal 12499, Visit 05, completed Diagnostic Status: Warning Scientific Instruments: WFC3/UVIS, ACS/WFC Special Requirements: SAME ORIENT AS 01; BEFORE 31-OCT-2011:23:59:59 | | | | | | | | | |
|---------------|---|------------|---------------------|---|---------------|---------------|--|--|-------------------------|-------|
| | (Tile Visit 05) Warning (Orbit Planner): PARALLELS SIGNIFICANTLY EXTEND ALIGNMENT TIME | | | | | | | | | |
| Fixed Targets | # | Name | Target Coordinates | Targ. Coord. Corrections | Fluxes | Miscellaneous | | | | |
| | | (1) | 30-DOR | RA: 05 37 45.1809 (84.4382538d) Dec: -69 05 22.22 (-69.08951d) Equinox: J2000 | | V=16+/-1 | Reference Frame: ICRS | | | |
| | <i>Comments: This object was generated by the targetselector and retrieved from the SIMBAD database.</i> | | | | | | | | | |
| Exposures | # | Label | Target | Config,Mode,Aperture | Spectral Els. | Opt. Params. | Special Reqs. | Groups | Exp. Time/[Actual Dur.] | Orbit |
| | 1 | | (1) 30-DOR | WFC3/UVIS, ACCUM, UVIS-CENTER | F775W | | POS TARG 13.1229 899505488,-127.336 89999999999; | Prime + Parallel Group 1-2 in Tile Visit 05 | 35 Secs [==>] | [1] |
| | 2 | | (1) 30-DOR | ACS/WFC, ACCUM, WFC | F775W | | | Prime + Parallel Group 1-2 in Tile Visit 05 | 32 Secs [==>] | [1] |
| | 3 | | (1) 30-DOR | WFC3/UVIS, ACCUM, UVIS-CENTER | F775W | | POS TARG 13.1229 899505488,-127.336 89999999999 | Prime + Parallel Group 3-4 in Tile Visit 05 | 699 Secs [==>] | [1] |
| | 4 | | (1) 30-DOR | ACS/WFC, ACCUM, WFC | F775W | | | Prime + Parallel Group 3-4 in Tile Visit 05 | 640 Secs [==>] | [1] |
| | 5 | | (1) 30-DOR | WFC3/UVIS, ACCUM, UVIS-CENTER | F775W | | POS TARG 33.1229 899505488,-107.336 89999999999 | Prime + Parallel Group 5-6 in Tile Visit 05 | 699 Secs [==>] | [1] |
| | 6 | | (1) 30-DOR | ACS/WFC, ACCUM, WFC | F775W | | | Prime + Parallel Group 5-6 in Tile Visit 05 | 640 Secs [==>] | [1] |
| | 7 | | (1) 30-DOR | WFC3/UVIS, ACCUM, UVIS-CENTER | F775W | | POS TARG 53.1229 899505488,-87.3368 99999999999 | Prime + Parallel Group 7-8 in Tile Visit 05 | 699 Secs [==>] | [1] |
| | 8 | | (1) 30-DOR | ACS/WFC, ACCUM, WFC | F775W | | | Prime + Parallel Group 7-8 in Tile Visit 05 | 640 Secs [==>] | [1] |
| | 9 | | (1) 30-DOR | WFC3/UVIS, ACCUM, UVIS-CENTER | F775W | | POS TARG 73.1229 899505488,-67.3368 99999999999 | Prime + Parallel Group 9-10 in Tile Visit 05 | 507 Secs [==>] | [1] |
| 10 | | (1) 30-DOR | ACS/WFC, ACCUM, WFC | F775W | | | Prime + Parallel Group 9-10 in Tile Visit 05 | 377 Secs [==>] | [1] | |



Proposal 12499 - Visit 06 - Proper Motions of Massive Stars in 30 Doradus

Sat Oct 15 01:05:42 GMT 2011

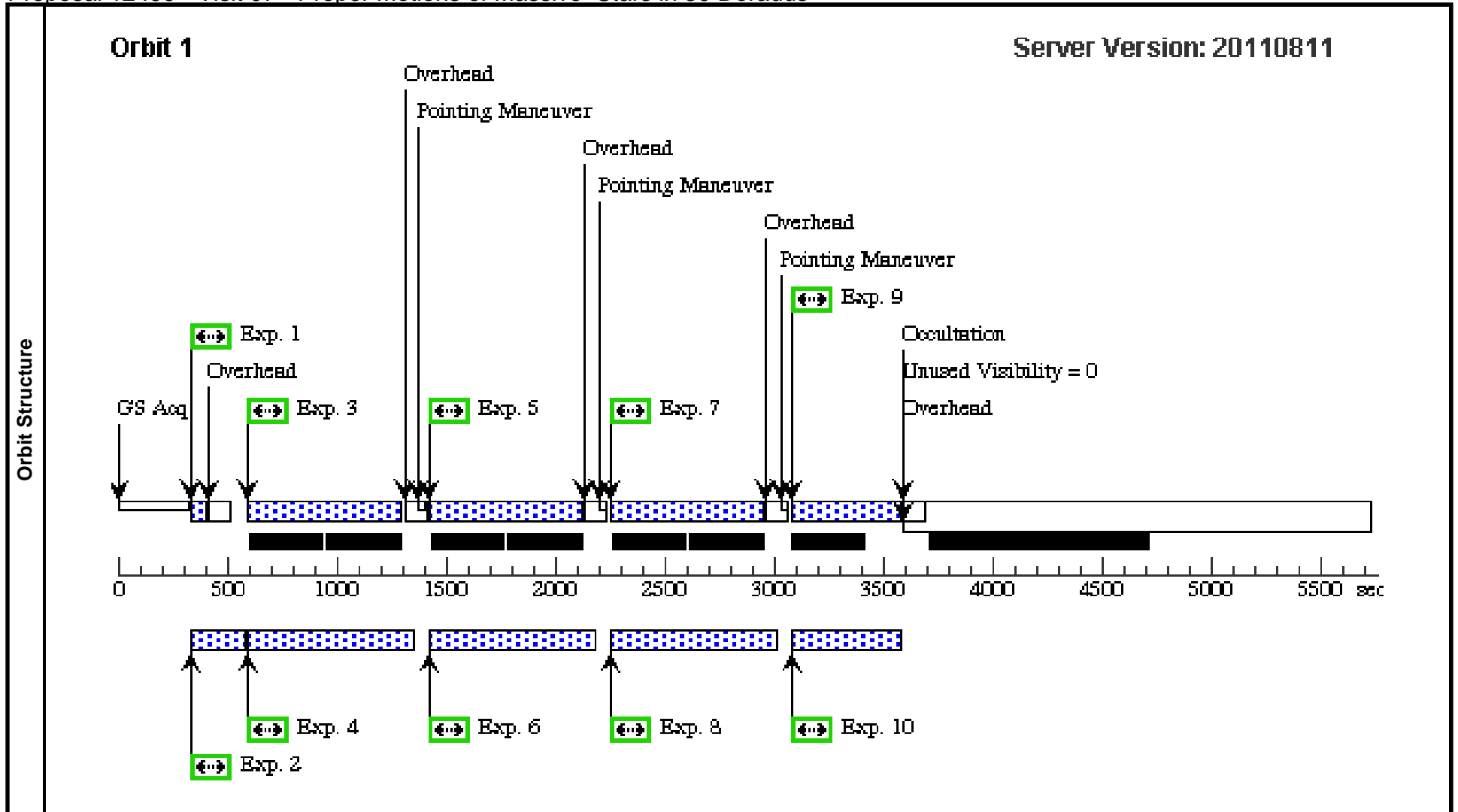
| Visit | Proposal 12499, Visit 06, completed Diagnostic Status: Warning Scientific Instruments: WFC3/UVIS, ACS/WFC Special Requirements: SAME ORIENT AS 04; BEFORE 31-OCT-2011:23:59:59 | | | | | | | | | |
|---------------|---|------------|---------------------|---|---------------|---------------|--|--|-------------------------|-------|
| | (Tile Visit 06) Warning (Orbit Planner): PARALLELS SIGNIFICANTLY EXTEND ALIGNMENT TIME | | | | | | | | | |
| Fixed Targets | # | Name | Target Coordinates | Targ. Coord. Corrections | Fluxes | Miscellaneous | | | | |
| | | (1) | 30-DOR | RA: 05 37 45.1809 (84.4382538d) Dec: -69 05 22.22 (-69.08951d) Equinox: J2000 | | V=16+/-1 | Reference Frame: ICRS | | | |
| | <i>Comments: This object was generated by the targetselector and retrieved from the SIMBAD database.</i> | | | | | | | | | |
| Exposures | # | Label | Target | Config,Mode,Aperture | Spectral Els. | Opt. Params. | Special Reqs. | Groups | Exp. Time/[Actual Dur.] | Orbit |
| | 1 | | (1) 30-DOR | WFC3/UVIS, ACCUM, UVIS-CENTER | F775W | | POS TARG 119.368 9698516464,-127.33 689999999999 | Prime + Parallel Group 1-2 in Tile Visit 06 | 35 Secs [==>] | [1] |
| | 2 | | (1) 30-DOR | ACS/WFC, ACCUM, WFC | F775W | | | Prime + Parallel Group 1-2 in Tile Visit 06 | 32 Secs [==>] | [1] |
| | 3 | | (1) 30-DOR | WFC3/UVIS, ACCUM, UVIS-CENTER | F775W | | POS TARG 119.368 9698516464,-127.33 689999999999 | Prime + Parallel Group 3-4 in Tile Visit 06 | 699 Secs [==>] | [1] |
| | 4 | | (1) 30-DOR | ACS/WFC, ACCUM, WFC | F775W | | | Prime + Parallel Group 3-4 in Tile Visit 06 | 640 Secs [==>] | [1] |
| | 5 | | (1) 30-DOR | WFC3/UVIS, ACCUM, UVIS-CENTER | F775W | | POS TARG 139.368 9698516464,-107.33 689999999999 | Prime + Parallel Group 5-6 in Tile Visit 06 | 699 Secs [==>] | [1] |
| | 6 | | (1) 30-DOR | ACS/WFC, ACCUM, WFC | F775W | | | Prime + Parallel Group 5-6 in Tile Visit 06 | 640 Secs [==>] | [1] |
| | 7 | | (1) 30-DOR | WFC3/UVIS, ACCUM, UVIS-CENTER | F775W | | POS TARG 159.368 9698516464,-87.336 899999999999 | Prime + Parallel Group 7-8 in Tile Visit 06 | 699 Secs [==>] | [1] |
| | 8 | | (1) 30-DOR | ACS/WFC, ACCUM, WFC | F775W | | | Prime + Parallel Group 7-8 in Tile Visit 06 | 640 Secs [==>] | [1] |
| | 9 | | (1) 30-DOR | WFC3/UVIS, ACCUM, UVIS-CENTER | F775W | | POS TARG 179.368 9698516464,-67.336 899999999999 | Prime + Parallel Group 9-10 in Tile Visit 06 | 507 Secs [==>] | [1] |
| 10 | | (1) 30-DOR | ACS/WFC, ACCUM, WFC | F775W | | | Prime + Parallel Group 9-10 in Tile Visit 06 | 377 Secs [==>] | [1] | |



Proposal 12499 - Visit 07 - Proper Motions of Massive Stars in 30 Doradus

Sat Oct 15 01:05:43 GMT 2011

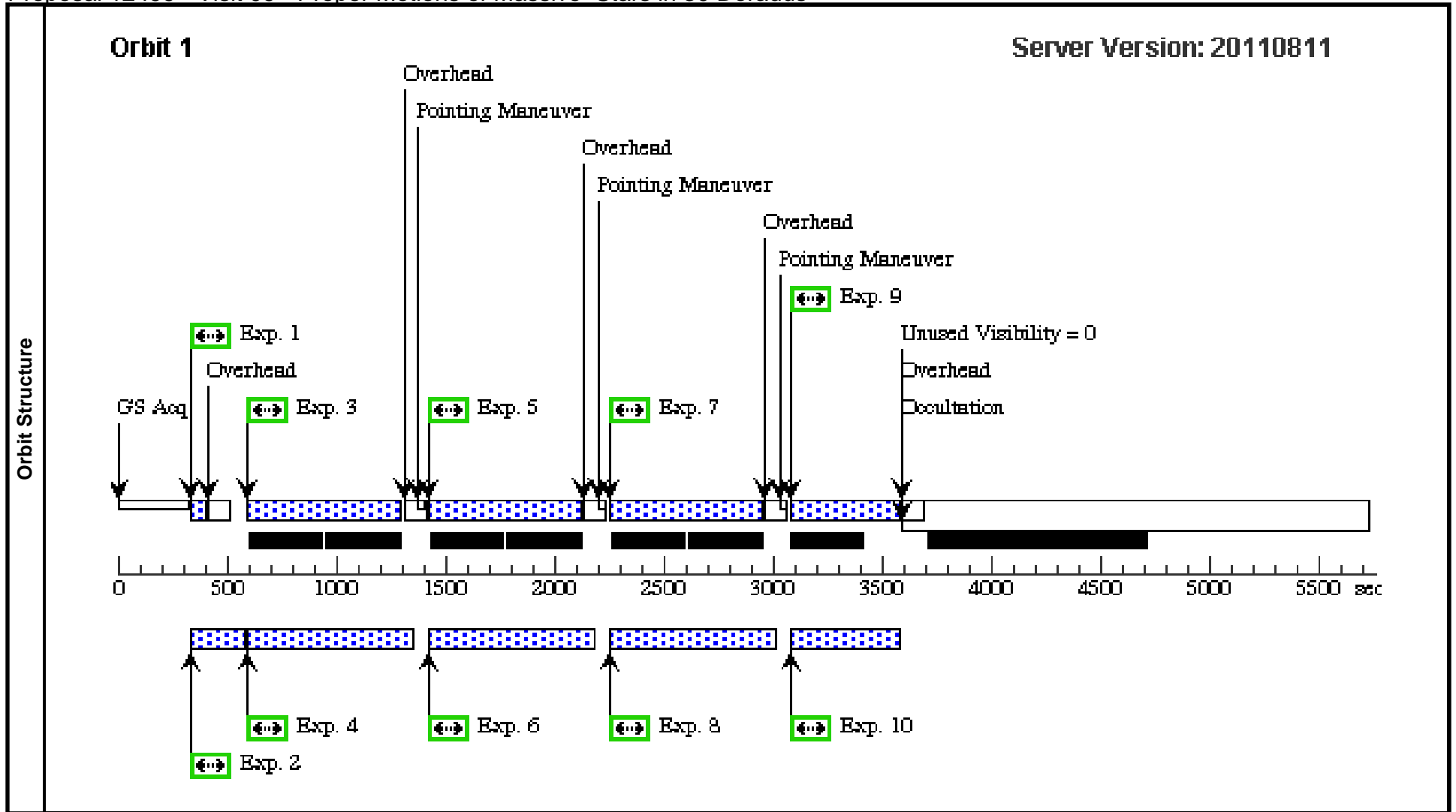
| Visit | Proposal 12499, Visit 07, completed Diagnostic Status: Warning Scientific Instruments: WFC3/UVIS, ACS/WFC Special Requirements: SAME ORIENT AS 01; BEFORE 31-OCT-2011:23:59:59 | | | | | | | | | |
|--|---|--------|---|-------------------------------|---------------|-----------------------|---|--|-------------------------|-------|
| | (Tile Visit 07) Warning (Orbit Planner): PARALLELS SIGNIFICANTLY EXTEND ALIGNMENT TIME | | | | | | | | | |
| Fixed Targets | # | Name | Target Coordinates | Targ. Coord. Corrections | Fluxes | Miscellaneous | | | | |
| | (1) | 30-DOR | RA: 05 37 45.1809 (84.4382538d) Dec: -69 05 22.22 (-69.08951d) Equinox: J2000 | | V=16+/-1 | Reference Frame: ICRS | | | | |
| <i>Comments: This object was generated by the targetselector and retrieved from the SIMBAD database.</i> | | | | | | | | | | |
| Exposures | # | Label | Target | Config,Mode,Aperture | Spectral Els. | Opt. Params. | Special Reqs. | Groups | Exp. Time/[Actual Dur.] | Orbit |
| | 1 | | (1) 30-DOR | WFC3/UVIS, ACCUM, UVIS-CENTER | F775W | | POS TARG 225.614 949752744,-127.336 89999999999 | Prime + Parallel Group 1-2 in Tile Visit 07 | 35 Secs [==>] | [1] |
| | 2 | | (1) 30-DOR | ACS/WFC, ACCUM, WFC | F775W | | | Prime + Parallel Group 1-2 in Tile Visit 07 | 32 Secs [==>] | [1] |
| | 3 | | (1) 30-DOR | WFC3/UVIS, ACCUM, UVIS-CENTER | F775W | | POS TARG 225.614 949752744,-127.336 89999999999 | Prime + Parallel Group 3-4 in Tile Visit 07 | 699 Secs [==>] | [1] |
| | 4 | | (1) 30-DOR | ACS/WFC, ACCUM, WFC | F775W | | | Prime + Parallel Group 3-4 in Tile Visit 07 | 640 Secs [==>] | [1] |
| | 5 | | (1) 30-DOR | WFC3/UVIS, ACCUM, UVIS-CENTER | F775W | | POS TARG 245.614 949752744,-107.336 89999999999 | Prime + Parallel Group 5-6 in Tile Visit 07 | 699 Secs [==>] | [1] |
| | 6 | | (1) 30-DOR | ACS/WFC, ACCUM, WFC | F775W | | | Prime + Parallel Group 5-6 in Tile Visit 07 | 640 Secs [==>] | [1] |
| | 7 | | (1) 30-DOR | WFC3/UVIS, ACCUM, UVIS-CENTER | F775W | | POS TARG 265.614 949752744,-87.3368 99999999999 | Prime + Parallel Group 7-8 in Tile Visit 07 | 699 Secs [==>] | [1] |
| | 8 | | (1) 30-DOR | ACS/WFC, ACCUM, WFC | F775W | | | Prime + Parallel Group 7-8 in Tile Visit 07 | 640 Secs [==>] | [1] |
| | 9 | | (1) 30-DOR | WFC3/UVIS, ACCUM, UVIS-CENTER | F775W | | POS TARG 285.614 949752744,-67.3368 99999999999 | Prime + Parallel Group 9-10 in Tile Visit 07 | 507 Secs [==>] | [1] |
| | 10 | | (1) 30-DOR | ACS/WFC, ACCUM, WFC | F775W | | | Prime + Parallel Group 9-10 in Tile Visit 07 | 377 Secs [==>] | [1] |



Proposal 12499 - Visit 09 - Proper Motions of Massive Stars in 30 Doradus

Sat Oct 15 01:05:44 GMT 2011

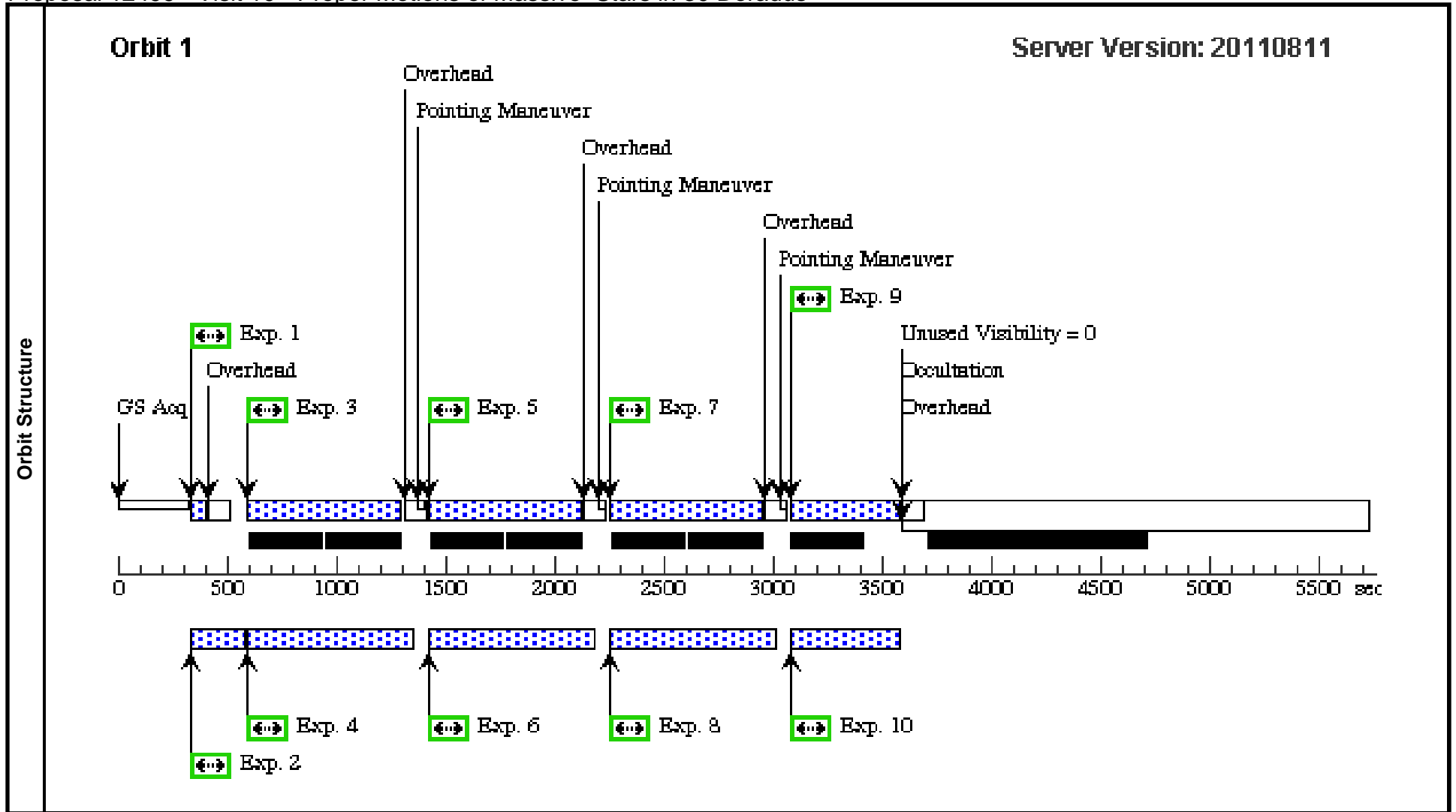
| Visit | Proposal 12499, Visit 09, completed Diagnostic Status: Warning Scientific Instruments: WFC3/UVIS, ACS/WFC Special Requirements: SAME ORIENT AS 01; BEFORE 31-OCT-2011:23:59:59 | | | | | | | | | |
|---------------|---|------------|---------------------|---|---------------|---------------|--|--|-------------------------|-------|
| | (Tile Visit 09) Warning (Orbit Planner): PARALLELS SIGNIFICANTLY EXTEND ALIGNMENT TIME | | | | | | | | | |
| Fixed Targets | # | Name | Target Coordinates | Targ. Coord. Corrections | Fluxes | Miscellaneous | | | | |
| | | (1) | 30-DOR | RA: 05 37 45.1809 (84.4382538d) Dec: -69 05 22.22 (-69.08951d) Equinox: J2000 | | V=16+/-1 | Reference Frame: ICRS | | | |
| | <i>Comments: This object was generated by the targetselector and retrieved from the SIMBAD database.</i> | | | | | | | | | |
| Exposures | # | Label | Target | Config,Mode,Aperture | Spectral Els. | Opt. Params. | Special Reqs. | Groups | Exp. Time/[Actual Dur.] | Orbit |
| | 1 | | (1) 30-DOR | WFC3/UVIS, ACCUM, UVIS-CENTER | F775W | | POS TARG -411.86 09296538416,47.336 899999999986 | Prime + Parallel Group 1-2 in Tile Visit 09 | 35 Secs [==>] | [1] |
| | 2 | | (1) 30-DOR | ACS/WFC, ACCUM, WFC | F775W | | | Prime + Parallel Group 1-2 in Tile Visit 09 | 32 Secs [==>] | [1] |
| | 3 | | (1) 30-DOR | WFC3/UVIS, ACCUM, UVIS-CENTER | F775W | | POS TARG -411.86 09296538416,47.336 899999999986 | Prime + Parallel Group 3-4 in Tile Visit 09 | 699 Secs [==>] | [1] |
| | 4 | | (1) 30-DOR | ACS/WFC, ACCUM, WFC | F775W | | | Prime + Parallel Group 3-4 in Tile Visit 09 | 640 Secs [==>] | [1] |
| | 5 | | (1) 30-DOR | WFC3/UVIS, ACCUM, UVIS-CENTER | F775W | | POS TARG -391.86 09296538416,67.336 899999999999 | Prime + Parallel Group 5-6 in Tile Visit 09 | 699 Secs [==>] | [1] |
| | 6 | | (1) 30-DOR | ACS/WFC, ACCUM, WFC | F775W | | | Prime + Parallel Group 5-6 in Tile Visit 09 | 640 Secs [==>] | [1] |
| | 7 | | (1) 30-DOR | WFC3/UVIS, ACCUM, UVIS-CENTER | F775W | | POS TARG -371.86 09296538416,87.336 899999999999 | Prime + Parallel Group 7-8 in Tile Visit 09 | 699 Secs [==>] | [1] |
| | 8 | | (1) 30-DOR | ACS/WFC, ACCUM, WFC | F775W | | | Prime + Parallel Group 7-8 in Tile Visit 09 | 640 Secs [==>] | [1] |
| | 9 | | (1) 30-DOR | WFC3/UVIS, ACCUM, UVIS-CENTER | F775W | | POS TARG -351.86 09296538416,107.33 689999999999 | Prime + Parallel Group 9-10 in Tile Visit 09 | 507 Secs [==>] | [1] |
| 10 | | (1) 30-DOR | ACS/WFC, ACCUM, WFC | F775W | | | Prime + Parallel Group 9-10 in Tile Visit 09 | 377 Secs [==>] | [1] | |



Proposal 12499 - Visit 10 - Proper Motions of Massive Stars in 30 Doradus

Sat Oct 15 01:05:45 GMT 2011

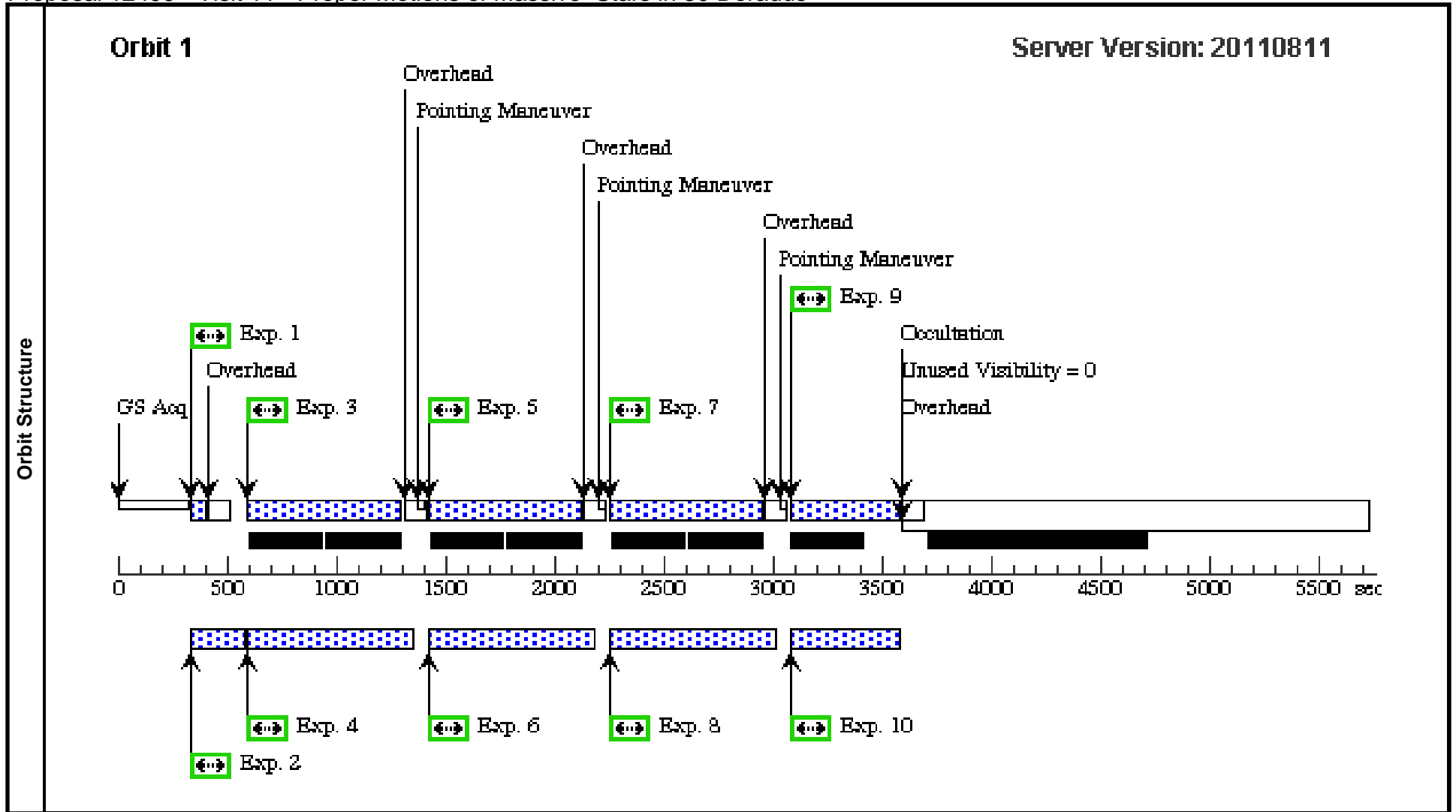
| Visit | Proposal 12499, Visit 10, completed Diagnostic Status: Warning Scientific Instruments: WFC3/UVIS, ACS/WFC Special Requirements: SAME ORIENT AS 01; BEFORE 31-OCT-2011:23:59:59 | | | | | | | | | |
|---------------|---|------------|---------------------|---|---------------|---------------|---|--|-------------------------|-------|
| | (Tile Visit 10) Warning (Orbit Planner): PARALLELS SIGNIFICANTLY EXTEND ALIGNMENT TIME | | | | | | | | | |
| Fixed Targets | # | Name | Target Coordinates | Targ. Coord. Corrections | Fluxes | Miscellaneous | | | | |
| | | (1) | 30-DOR | RA: 05 37 45.1809 (84.4382538d) Dec: -69 05 22.22 (-69.08951d) Equinox: J2000 | | V=16+/-1 | Reference Frame: ICRS | | | |
| | <i>Comments: This object was generated by the targetselector and retrieved from the SIMBAD database.</i> | | | | | | | | | |
| Exposures | # | Label | Target | Config,Mode,Aperture | Spectral Els. | Opt. Params. | Special Reqs. | Groups | Exp. Time/[Actual Dur.] | Orbit |
| | 1 | | (1) 30-DOR | WFC3/UVIS, ACCUM, UVIS-CENTER | F775W | | POS TARG -305.61 4949752744,47.3368 99999999986 | Prime + Parallel Group 1-2 in Tile Visit 10 | 35 Secs [==>] | [1] |
| | 2 | | (1) 30-DOR | ACS/WFC, ACCUM, WFC | F775W | | | Prime + Parallel Group 1-2 in Tile Visit 10 | 32 Secs [==>] | [1] |
| | 3 | | (1) 30-DOR | WFC3/UVIS, ACCUM, UVIS-CENTER | F775W | | POS TARG -305.61 4949752744,47.3368 99999999986 | Prime + Parallel Group 3-4 in Tile Visit 10 | 699 Secs [==>] | [1] |
| | 4 | | (1) 30-DOR | ACS/WFC, ACCUM, WFC | F775W | | | Prime + Parallel Group 3-4 in Tile Visit 10 | 640 Secs [==>] | [1] |
| | 5 | | (1) 30-DOR | WFC3/UVIS, ACCUM, UVIS-CENTER | F775W | | POS TARG -285.61 4949752744,67.3368 99999999999 | Prime + Parallel Group 5-6 in Tile Visit 10 | 699 Secs [==>] | [1] |
| | 6 | | (1) 30-DOR | ACS/WFC, ACCUM, WFC | F775W | | | Prime + Parallel Group 5-6 in Tile Visit 10 | 640 Secs [==>] | [1] |
| | 7 | | (1) 30-DOR | WFC3/UVIS, ACCUM, UVIS-CENTER | F775W | | POS TARG -265.61 4949752744,87.3368 99999999999 | Prime + Parallel Group 7-8 in Tile Visit 10 | 699 Secs [==>] | [1] |
| | 8 | | (1) 30-DOR | ACS/WFC, ACCUM, WFC | F775W | | | Prime + Parallel Group 7-8 in Tile Visit 10 | 640 Secs [==>] | [1] |
| | 9 | | (1) 30-DOR | WFC3/UVIS, ACCUM, UVIS-CENTER | F775W | | POS TARG -245.61 4949752744,107.336 89999999999 | Prime + Parallel Group 9-10 in Tile Visit 10 | 507 Secs [==>] | [1] |
| 10 | | (1) 30-DOR | ACS/WFC, ACCUM, WFC | F775W | | | Prime + Parallel Group 9-10 in Tile Visit 10 | 377 Secs [==>] | [1] | |



Proposal 12499 - Visit 11 - Proper Motions of Massive Stars in 30 Doradus

Sat Oct 15 01:05:45 GMT 2011

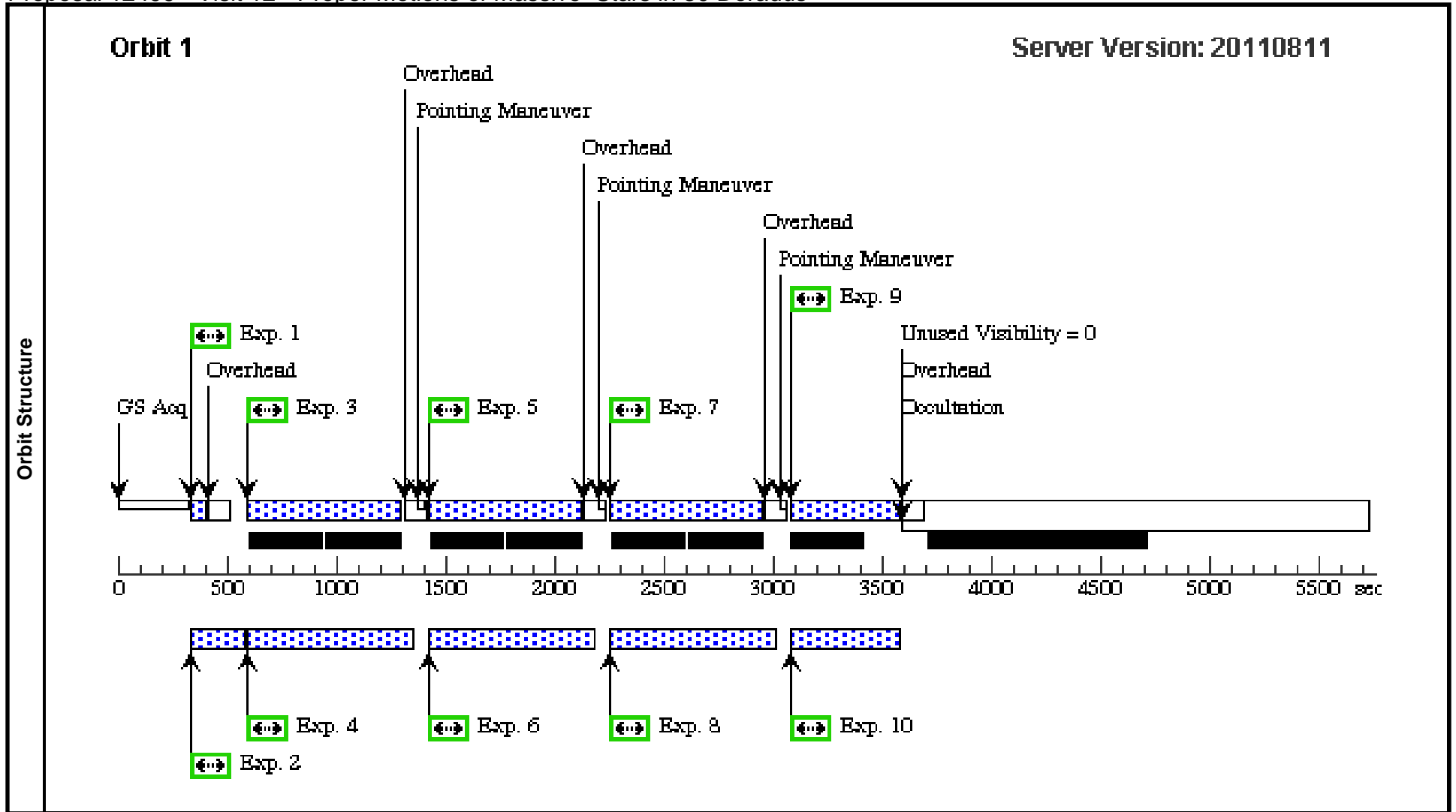
| Visit | Proposal 12499, Visit 11, completed Diagnostic Status: Warning Scientific Instruments: WFC3/UVIS, ACS/WFC Special Requirements: SAME ORIENT AS 01; BEFORE 31-OCT-2011:23:59:59 | | | | | | | | | |
|---------------|---|------------|---------------------|---|---------------|---------------|--|--|-------------------------|-------|
| | (Tile Visit 11) Warning (Orbit Planner): PARALLELS SIGNIFICANTLY EXTEND ALIGNMENT TIME | | | | | | | | | |
| Fixed Targets | # | Name | Target Coordinates | Targ. Coord. Corrections | Fluxes | Miscellaneous | | | | |
| | | (1) | 30-DOR | RA: 05 37 45.1809 (84.4382538d) Dec: -69 05 22.22 (-69.08951d) Equinox: J2000 | | V=16+/-1 | Reference Frame: ICRS | | | |
| | <i>Comments: This object was generated by the targetselector and retrieved from the SIMBAD database.</i> | | | | | | | | | |
| Exposures | # | Label | Target | Config,Mode,Aperture | Spectral Els. | Opt. Params. | Special Reqs. | Groups | Exp. Time/[Actual Dur.] | Orbit |
| | 1 | | (1) 30-DOR | WFC3/UVIS, ACCUM, UVIS-CENTER | F775W | | POS TARG -199.36 89698516464,47.336 899999999986 | Prime + Parallel Group 1-2 in Tile Visit 11 | 35 Secs [==>] | [1] |
| | 2 | | (1) 30-DOR | ACS/WFC, ACCUM, WFC | F775W | | | Prime + Parallel Group 1-2 in Tile Visit 11 | 32 Secs [==>] | [1] |
| | 3 | | (1) 30-DOR | WFC3/UVIS, ACCUM, UVIS-CENTER | F775W | | POS TARG -199.36 89698516464,47.336 899999999986 | Prime + Parallel Group 3-4 in Tile Visit 11 | 699 Secs [==>] | [1] |
| | 4 | | (1) 30-DOR | ACS/WFC, ACCUM, WFC | F775W | | | Prime + Parallel Group 3-4 in Tile Visit 11 | 640 Secs [==>] | [1] |
| | 5 | | (1) 30-DOR | WFC3/UVIS, ACCUM, UVIS-CENTER | F775W | | POS TARG -179.36 89698516464,67.336 899999999999 | Prime + Parallel Group 5-6 in Tile Visit 11 | 699 Secs [==>] | [1] |
| | 6 | | (1) 30-DOR | ACS/WFC, ACCUM, WFC | F775W | | | Prime + Parallel Group 5-6 in Tile Visit 11 | 640 Secs [==>] | [1] |
| | 7 | | (1) 30-DOR | WFC3/UVIS, ACCUM, UVIS-CENTER | F775W | | POS TARG -159.36 89698516464,87.336 899999999999 | Prime + Parallel Group 7-8 in Tile Visit 11 | 699 Secs [==>] | [1] |
| | 8 | | (1) 30-DOR | ACS/WFC, ACCUM, WFC | F775W | | | Prime + Parallel Group 7-8 in Tile Visit 11 | 640 Secs [==>] | [1] |
| | 9 | | (1) 30-DOR | WFC3/UVIS, ACCUM, UVIS-CENTER | F775W | | POS TARG -139.36 89698516464,107.33 689999999999 | Prime + Parallel Group 9-10 in Tile Visit 11 | 507 Secs [==>] | [1] |
| 10 | | (1) 30-DOR | ACS/WFC, ACCUM, WFC | F775W | | | Prime + Parallel Group 9-10 in Tile Visit 11 | 377 Secs [==>] | [1] | |



Proposal 12499 - Visit 12 - Proper Motions of Massive Stars in 30 Doradus

Sat Oct 15 01:05:46 GMT 2011

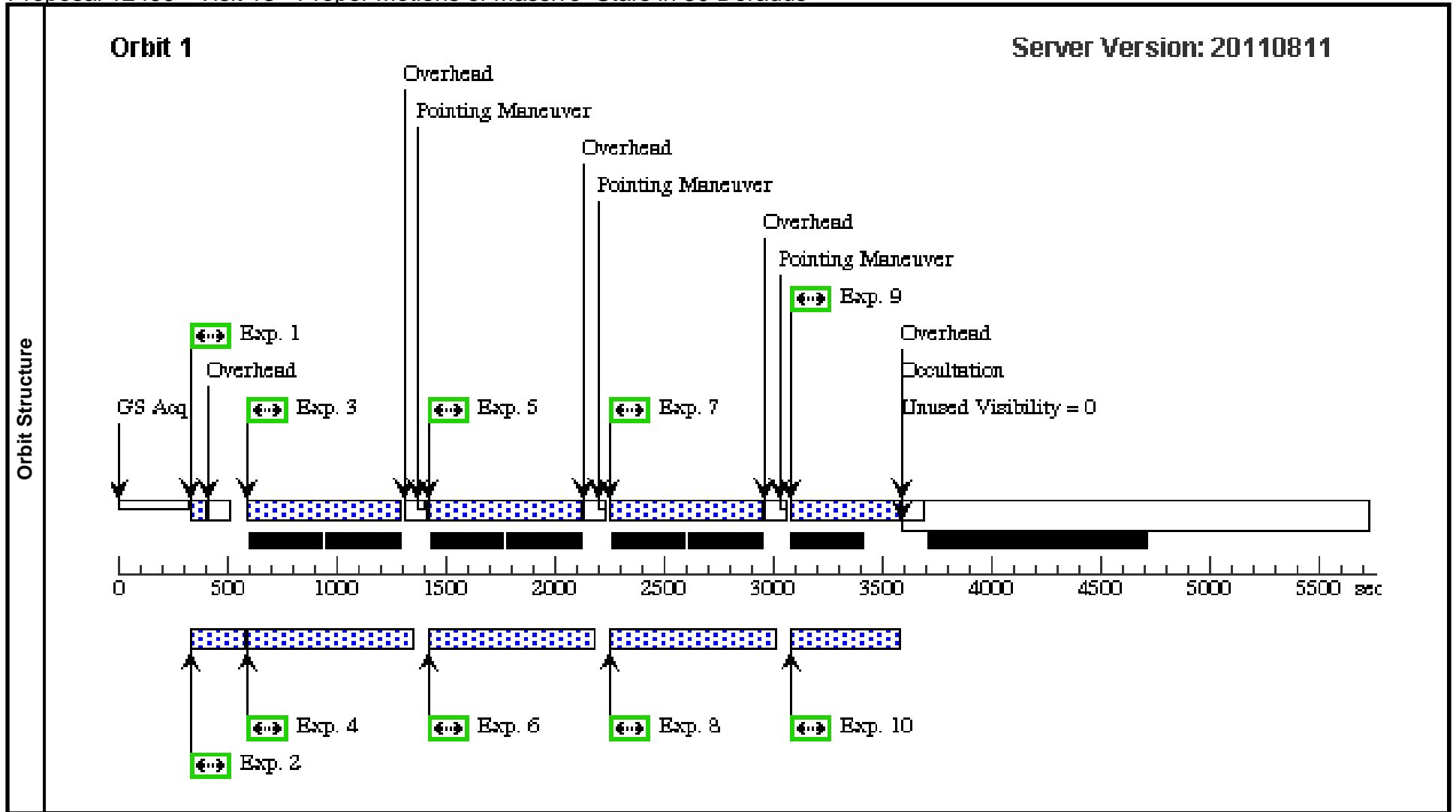
| Visit | Proposal 12499, Visit 12, completed Diagnostic Status: Warning Scientific Instruments: WFC3/UVIS, ACS/WFC Special Requirements: SAME ORIENT AS 01; BEFORE 31-OCT-2011:23:59:59 | | | | | | | | | |
|---------------|---|------------|---------------------|---|---------------|---------------|---|--|-------------------------|-------|
| | (Tile Visit 12) Warning (Orbit Planner): PARALLELS SIGNIFICANTLY EXTEND ALIGNMENT TIME | | | | | | | | | |
| Fixed Targets | # | Name | Target Coordinates | Targ. Coord. Corrections | Fluxes | Miscellaneous | | | | |
| | | (1) | 30-DOR | RA: 05 37 45.1809 (84.4382538d) Dec: -69 05 22.22 (-69.08951d) Equinox: J2000 | | V=16+/-1 | Reference Frame: ICRS | | | |
| | <i>Comments: This object was generated by the targetselector and retrieved from the SIMBAD database.</i> | | | | | | | | | |
| Exposures | # | Label | Target | Config,Mode,Aperture | Spectral Els. | Opt. Params. | Special Reqs. | Groups | Exp. Time/[Actual Dur.] | Orbit |
| | 1 | | (1) 30-DOR | WFC3/UVIS, ACCUM, UVIS-CENTER | F775W | | POS TARG -93.122 9899505488,47.3368 99999999986 | Prime + Parallel Group 1-2 in Tile Visit 12 | 35 Secs [==>] | [1] |
| | 2 | | (1) 30-DOR | ACS/WFC, ACCUM, WFC | F775W | | | Prime + Parallel Group 1-2 in Tile Visit 12 | 32 Secs [==>] | [1] |
| | 3 | | (1) 30-DOR | WFC3/UVIS, ACCUM, UVIS-CENTER | F775W | | POS TARG -93.122 9899505488,47.3368 99999999986 | Prime + Parallel Group 3-4 in Tile Visit 12 | 699 Secs [==>] | [1] |
| | 4 | | (1) 30-DOR | ACS/WFC, ACCUM, WFC | F775W | | | Prime + Parallel Group 3-4 in Tile Visit 12 | 640 Secs [==>] | [1] |
| | 5 | | (1) 30-DOR | WFC3/UVIS, ACCUM, UVIS-CENTER | F775W | | POS TARG -73.122 9899505488,67.3368 99999999999 | Prime + Parallel Group 5-6 in Tile Visit 12 | 699 Secs [==>] | [1] |
| | 6 | | (1) 30-DOR | ACS/WFC, ACCUM, WFC | F775W | | | Prime + Parallel Group 5-6 in Tile Visit 12 | 640 Secs [==>] | [1] |
| | 7 | | (1) 30-DOR | WFC3/UVIS, ACCUM, UVIS-CENTER | F775W | | POS TARG -53.122 9899505488,87.3368 99999999999 | Prime + Parallel Group 7-8 in Tile Visit 12 | 699 Secs [==>] | [1] |
| | 8 | | (1) 30-DOR | ACS/WFC, ACCUM, WFC | F775W | | | Prime + Parallel Group 7-8 in Tile Visit 12 | 640 Secs [==>] | [1] |
| | 9 | | (1) 30-DOR | WFC3/UVIS, ACCUM, UVIS-CENTER | F775W | | POS TARG -33.122 9899505488,107.336 89999999999 | Prime + Parallel Group 9-10 in Tile Visit 12 | 507 Secs [==>] | [1] |
| 10 | | (1) 30-DOR | ACS/WFC, ACCUM, WFC | F775W | | | Prime + Parallel Group 9-10 in Tile Visit 12 | 377 Secs [==>] | [1] | |



Proposal 12499 - Visit 13 - Proper Motions of Massive Stars in 30 Doradus

Sat Oct 15 01:05:47 GMT 2011

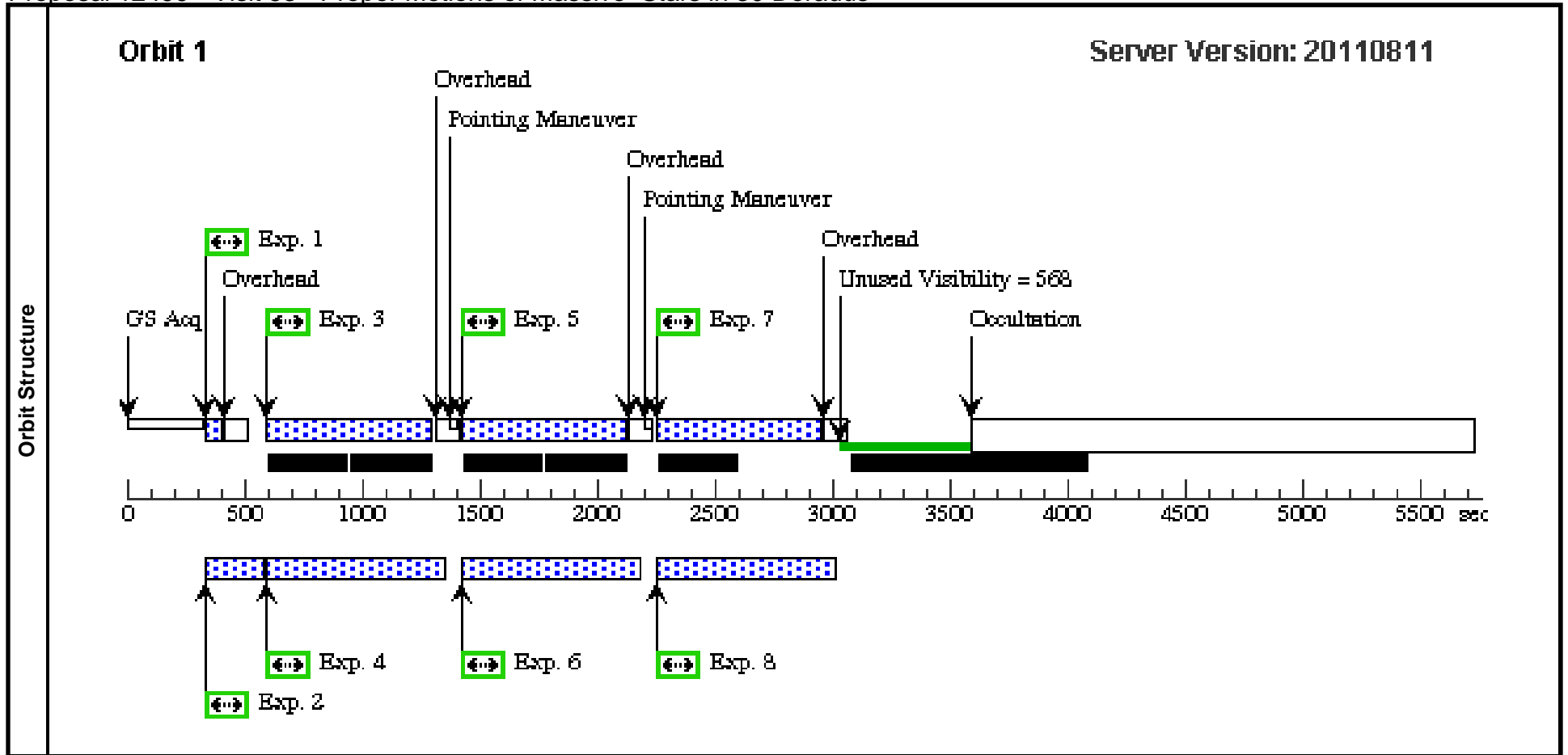
| Visit | Proposal 12499, Visit 13, failed Diagnostic Status: Warning Scientific Instruments: WFC3/UVIS, ACS/WFC Special Requirements: SAME ORIENT AS 04; BEFORE 31-OCT-2011:23:59:59 | | | | | | | | | |
|--|--|------------|---------------------|---|---------------|---------------|---|--|-------------------------|-------|
| | (Tile Visit 13) Warning (Orbit Planner): PARALLELS SIGNIFICANTLY EXTEND ALIGNMENT TIME | | | | | | | | | |
| Fixed Targets | # | Name | Target Coordinates | Targ. Coord. Corrections | Fluxes | Miscellaneous | | | | |
| | | (1) | 30-DOR | RA: 05 37 45.1809 (84.4382538d) Dec: -69 05 22.22 (-69.08951d) Equinox: J2000 | | V=16+/-1 | Reference Frame: ICRS | | | |
| <i>Comments: This object was generated by the targetselector and retrieved from the SIMBAD database.</i> | | | | | | | | | | |
| Exposures | # | Label | Target | Config,Mode,Aperture | Spectral Els. | Opt. Params. | Special Reqs. | Groups | Exp. Time/[Actual Dur.] | Orbit |
| | 1 | | (1) 30-DOR | WFC3/UVIS, ACCUM, UVIS-CENTER | F775W | | POS TARG 13.1229 899505488,47.33689 9999999986; GS ACQ SCENARI O BASE1B3 | Prime + Parallel Group 1-2 in Tile Visit 13 | 35 Secs [==>] | [1] |
| | 2 | | (1) 30-DOR | ACS/WFC, ACCUM, WFC | F775W | | | Prime + Parallel Group 1-2 in Tile Visit 13 | 32 Secs [==>] | [1] |
| | 3 | | (1) 30-DOR | WFC3/UVIS, ACCUM, UVIS-CENTER | F775W | | POS TARG 13.1229 899505488,47.33689 9999999986 | Prime + Parallel Group 3-4 in Tile Visit 13 | 699 Secs [==>] | [1] |
| | 4 | | (1) 30-DOR | ACS/WFC, ACCUM, WFC | F775W | | | Prime + Parallel Group 3-4 in Tile Visit 13 | 640 Secs [==>] | [1] |
| | 5 | | (1) 30-DOR | WFC3/UVIS, ACCUM, UVIS-CENTER | F775W | | POS TARG 33.1229 899505488,67.33689 9999999999 | Prime + Parallel Group 5-6 in Tile Visit 13 | 699 Secs [==>] | [1] |
| | 6 | | (1) 30-DOR | ACS/WFC, ACCUM, WFC | F775W | | | Prime + Parallel Group 5-6 in Tile Visit 13 | 640 Secs [==>] | [1] |
| | 7 | | (1) 30-DOR | WFC3/UVIS, ACCUM, UVIS-CENTER | F775W | | POS TARG 53.1229 899505488,87.33689 9999999999 | Prime + Parallel Group 7-8 in Tile Visit 13 | 699 Secs [==>] | [1] |
| | 8 | | (1) 30-DOR | ACS/WFC, ACCUM, WFC | F775W | | | Prime + Parallel Group 7-8 in Tile Visit 13 | 640 Secs [==>] | [1] |
| | 9 | | (1) 30-DOR | WFC3/UVIS, ACCUM, UVIS-CENTER | F775W | | POS TARG 73.1229 899505488,107.3368 9999999999 | Prime + Parallel Group 9-10 in Tile Visit 13 | 507 Secs [==>] | [1] |
| 10 | | (1) 30-DOR | ACS/WFC, ACCUM, WFC | F775W | | | Prime + Parallel Group 9-10 in Tile Visit 13 | 377 Secs [==>] | [1] | |



Proposal 12499 - Visit 53 - Proper Motions of Massive Stars in 30 Doradus

Sat Oct 15 01:05:48 GMT 2011

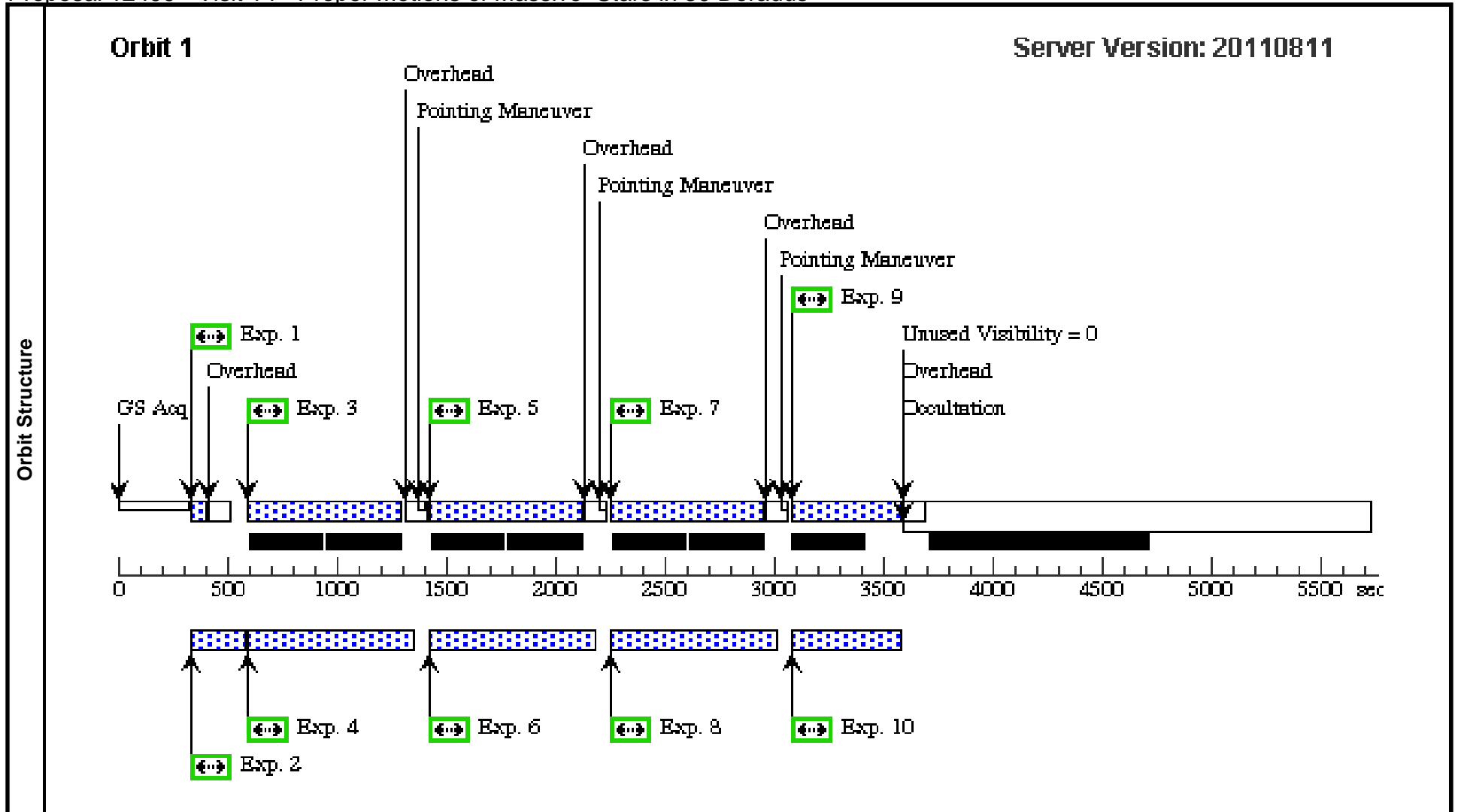
| Visit | Proposal 12499, Visit 53, implementation Diagnostic Status: Warning Scientific Instruments: WFC3/UVIS, ACS/WFC Special Requirements: ORIENT 290D TO 290 D; BEFORE 01-NOV-2011:23:59:59 | | | | | | | | | |
|---------------|---|------------|--------------------|---|---------------|---------------|--|---|-------------------------|-------|
| | (Tile Visit 53) Warning (Orbit Planner): PARALLELS SIGNIFICANTLY EXTEND ALIGNMENT TIME | | | | | | | | | |
| Fixed Targets | # | Name | Target Coordinates | Targ. Coord. Corrections | Fluxes | Miscellaneous | | | | |
| | | (1) | 30-DOR | RA: 05 37 45.1809 (84.4382538d) Dec: -69 05 22.22 (-69.08951d) Equinox: J2000 | | V=16+/-1 | Reference Frame: ICRS | | | |
| | <i>Comments: This object was generated by the targetselector and retrieved from the SIMBAD database.</i> | | | | | | | | | |
| Exposures | # | Label | Target | Config,Mode,Aperture | Spectral Els. | Opt. Params. | Special Reqs. | Groups | Exp. Time/[Actual Dur.] | Orbit |
| | 1 | (1) 30-DOR | (1) 30-DOR | WFC3/UVIS, ACCUM, UVIS-CENTER | F775W | | POS TARG 13.1229 899505488,47.33689 9999999986; GS ACQ SCENARI O BASE1B3 | Prime + Parallel Group 1-2 in Tile Visit 53 | 35 Secs [==>] | [1] |
| | 2 | (1) 30-DOR | (1) 30-DOR | ACS/WFC, ACCUM, WFC | F775W | | | Prime + Parallel Group 1-2 in Tile Visit 53 | 32 Secs [==>] | [1] |
| | 3 | (1) 30-DOR | (1) 30-DOR | WFC3/UVIS, ACCUM, UVIS-CENTER | F775W | | POS TARG 13.1229 899505488,47.33689 9999999986 | Prime + Parallel Group 3-4 in Tile Visit 53 | 699 Secs [==>] | [1] |
| | 4 | (1) 30-DOR | (1) 30-DOR | ACS/WFC, ACCUM, WFC | F775W | | | Prime + Parallel Group 3-4 in Tile Visit 53 | 640 Secs [==>] | [1] |
| | 5 | (1) 30-DOR | (1) 30-DOR | WFC3/UVIS, ACCUM, UVIS-CENTER | F775W | | POS TARG 33.1229 899505488,67.33689 999999999 | Prime + Parallel Group 5-6 in Tile Visit 53 | 699 Secs [==>] | [1] |
| | 6 | (1) 30-DOR | (1) 30-DOR | ACS/WFC, ACCUM, WFC | F775W | | | Prime + Parallel Group 5-6 in Tile Visit 53 | 640 Secs [==>] | [1] |
| | 7 | (1) 30-DOR | (1) 30-DOR | WFC3/UVIS, ACCUM, UVIS-CENTER | F775W | | POS TARG 53.1229 899505488,87.33689 999999999 | Prime + Parallel Group 7-8 in Tile Visit 53 | 699 Secs [==>] | [1] |
| | 8 | (1) 30-DOR | (1) 30-DOR | ACS/WFC, ACCUM, WFC | F775W | | | Prime + Parallel Group 7-8 in Tile Visit 53 | 640 Secs [==>] | [1] |



Proposal 12499 - Visit 14 - Proper Motions of Massive Stars in 30 Doradus

Sat Oct 15 01:05:49 GMT 2011

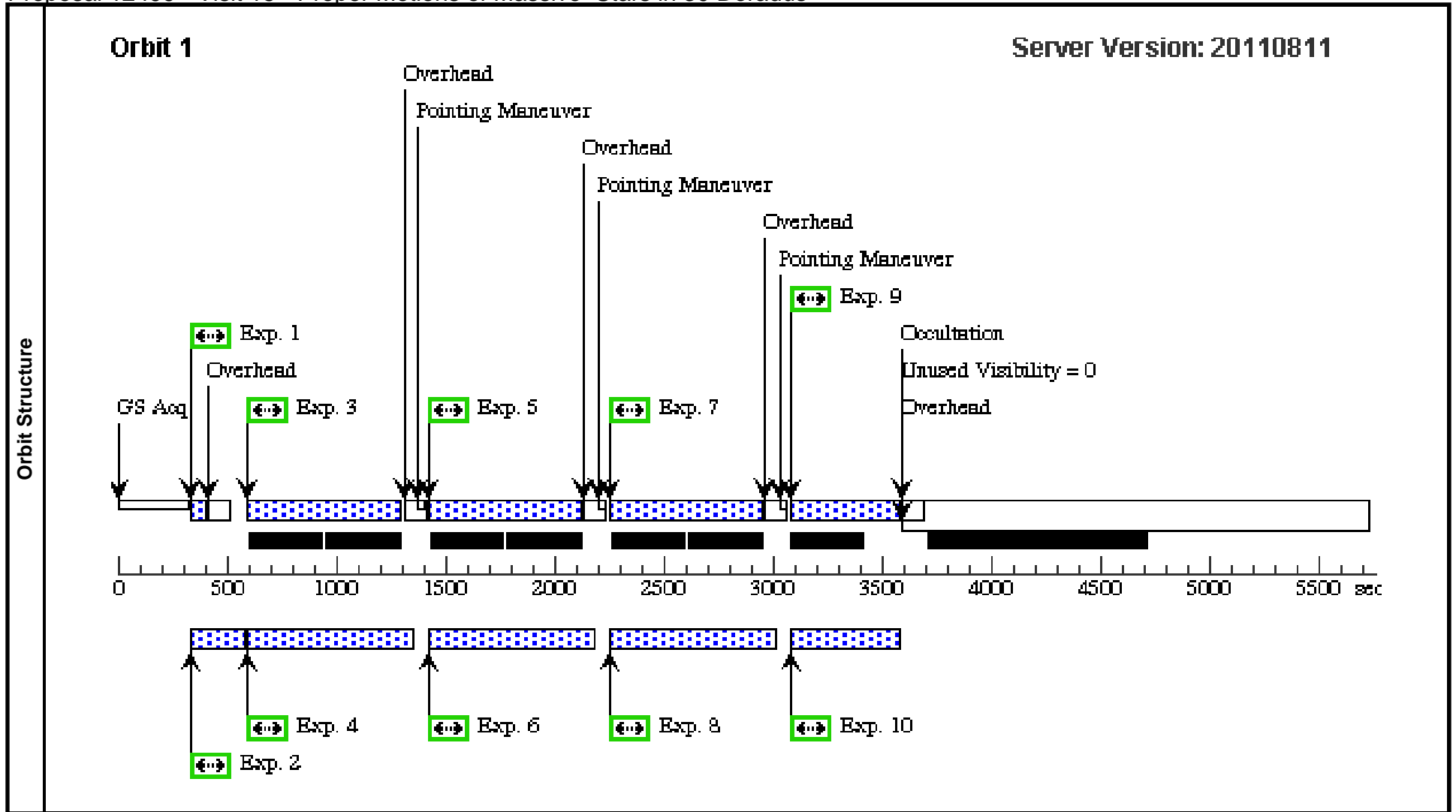
| Visit | Proposal 12499, Visit 14, completed Diagnostic Status: Warning Scientific Instruments: WFC3/UVIS, ACS/WFC Special Requirements: ORIENT 279D TO 279 D; BEFORE 31-OCT-2011:23:59:59 | | | | | | | | | |
|---------------|--|------------|---------------------|---|---------------|---------------|---|--|-------------------------|-------|
| | (Tile Visit 14) Warning (Orbit Planner): PARALLELS SIGNIFICANTLY EXTEND ALIGNMENT TIME | | | | | | | | | |
| Fixed Targets | # | Name | Target Coordinates | Targ. Coord. Corrections | Fluxes | Miscellaneous | | | | |
| | | (1) | 30-DOR | RA: 05 37 45.1809 (84.4382538d) Dec: -69 05 22.22 (-69.08951d) Equinox: J2000 <i>Comments: This object was generated by the targetselector and retrieved from the SIMBAD database.</i> | | V=16+/-1 | Reference Frame: ICRS | | | |
| Exposures | # | Label | Target | Config,Mode,Aperture | Spectral Els. | Opt. Params. | Special Reqs. | Groups | Exp. Time/[Actual Dur.] | Orbit |
| | 1 | (1) 30-DOR | (1) 30-DOR | WFC3/UVIS, ACCUM, UVIS-CENTER | F775W | | POS TARG 119.368 9698516464,47.3368 99999999986; GS ACQ SCENARI O BASE1B3 | Prime + Parallel Group 1-2 in Tile Visit 14 | 35 Secs [==>] | [1] |
| | 2 | (1) 30-DOR | (1) 30-DOR | ACS/WFC, ACCUM, WFC | F775W | | | Prime + Parallel Group 1-2 in Tile Visit 14 | 32 Secs [==>] | [1] |
| | 3 | (1) 30-DOR | (1) 30-DOR | WFC3/UVIS, ACCUM, UVIS-CENTER | F775W | | POS TARG 119.368 9698516464,47.3368 99999999986 | Prime + Parallel Group 3-4 in Tile Visit 14 | 699 Secs [==>] | [1] |
| | 4 | (1) 30-DOR | (1) 30-DOR | ACS/WFC, ACCUM, WFC | F775W | | | Prime + Parallel Group 3-4 in Tile Visit 14 | 640 Secs [==>] | [1] |
| | 5 | (1) 30-DOR | (1) 30-DOR | WFC3/UVIS, ACCUM, UVIS-CENTER | F775W | | POS TARG 139.368 9698516464,67.3368 99999999999 | Prime + Parallel Group 5-6 in Tile Visit 14 | 699 Secs [==>] | [1] |
| | 6 | (1) 30-DOR | (1) 30-DOR | ACS/WFC, ACCUM, WFC | F775W | | | Prime + Parallel Group 5-6 in Tile Visit 14 | 640 Secs [==>] | [1] |
| | 7 | (1) 30-DOR | (1) 30-DOR | WFC3/UVIS, ACCUM, UVIS-CENTER | F775W | | POS TARG 159.368 9698516464,87.3368 99999999999 | Prime + Parallel Group 7-8 in Tile Visit 14 | 699 Secs [==>] | [1] |
| | 8 | (1) 30-DOR | (1) 30-DOR | ACS/WFC, ACCUM, WFC | F775W | | | Prime + Parallel Group 7-8 in Tile Visit 14 | 640 Secs [==>] | [1] |
| | 9 | (1) 30-DOR | (1) 30-DOR | WFC3/UVIS, ACCUM, UVIS-CENTER | F775W | | POS TARG 179.368 9698516464,107.336 89999999999 | Prime + Parallel Group 9-10 in Tile Visit 14 | 507 Secs [==>] | [1] |
| 10 | (1) 30-DOR | (1) 30-DOR | ACS/WFC, ACCUM, WFC | F775W | | | Prime + Parallel Group 9-10 in Tile Visit 14 | 377 Secs [==>] | [1] | |



Proposal 12499 - Visit 15 - Proper Motions of Massive Stars in 30 Doradus

Sat Oct 15 01:05:49 GMT 2011

| Visit | Proposal 12499, Visit 15, completed Diagnostic Status: Warning Scientific Instruments: WFC3/UVIS, ACS/WFC Special Requirements: SAME ORIENT AS 01; BEFORE 31-OCT-2011:23:59:59 | | | | | | | | | |
|---------------|---|------------|---------------------|---|---------------|---------------|--|--|-------------------------|-------|
| | (Tile Visit 15) Warning (Orbit Planner): PARALLELS SIGNIFICANTLY EXTEND ALIGNMENT TIME | | | | | | | | | |
| Fixed Targets | # | Name | Target Coordinates | Targ. Coord. Corrections | Fluxes | Miscellaneous | | | | |
| | | (1) | 30-DOR | RA: 05 37 45.1809 (84.4382538d) Dec: -69 05 22.22 (-69.08951d) Equinox: J2000 | | V=16+/-1 | Reference Frame: ICRS | | | |
| | <i>Comments: This object was generated by the targetselector and retrieved from the SIMBAD database.</i> | | | | | | | | | |
| Exposures | # | Label | Target | Config,Mode,Aperture | Spectral Els. | Opt. Params. | Special Reqs. | Groups | Exp. Time/[Actual Dur.] | Orbit |
| | 1 | | (1) 30-DOR | WFC3/UVIS, ACCUM, UVIS-CENTER | F775W | | POS TARG 225.614 949752744,47.33689 9999999986 | Prime + Parallel Group 1-2 in Tile Visit 15 | 35 Secs [==>] | [1] |
| | 2 | | (1) 30-DOR | ACS/WFC, ACCUM, WFC | F775W | | | Prime + Parallel Group 1-2 in Tile Visit 15 | 32 Secs [==>] | [1] |
| | 3 | | (1) 30-DOR | WFC3/UVIS, ACCUM, UVIS-CENTER | F775W | | POS TARG 225.614 949752744,47.33689 9999999986 | Prime + Parallel Group 3-4 in Tile Visit 15 | 699 Secs [==>] | [1] |
| | 4 | | (1) 30-DOR | ACS/WFC, ACCUM, WFC | F775W | | | Prime + Parallel Group 3-4 in Tile Visit 15 | 640 Secs [==>] | [1] |
| | 5 | | (1) 30-DOR | WFC3/UVIS, ACCUM, UVIS-CENTER | F775W | | POS TARG 245.614 949752744,67.33689 9999999999 | Prime + Parallel Group 5-6 in Tile Visit 15 | 699 Secs [==>] | [1] |
| | 6 | | (1) 30-DOR | ACS/WFC, ACCUM, WFC | F775W | | | Prime + Parallel Group 5-6 in Tile Visit 15 | 640 Secs [==>] | [1] |
| | 7 | | (1) 30-DOR | WFC3/UVIS, ACCUM, UVIS-CENTER | F775W | | POS TARG 265.614 949752744,87.33689 9999999999 | Prime + Parallel Group 7-8 in Tile Visit 15 | 699 Secs [==>] | [1] |
| | 8 | | (1) 30-DOR | ACS/WFC, ACCUM, WFC | F775W | | | Prime + Parallel Group 7-8 in Tile Visit 15 | 640 Secs [==>] | [1] |
| | 9 | | (1) 30-DOR | WFC3/UVIS, ACCUM, UVIS-CENTER | F775W | | POS TARG 285.614 949752744,107.3368 9999999999 | Prime + Parallel Group 9-10 in Tile Visit 15 | 507 Secs [==>] | [1] |
| 10 | | (1) 30-DOR | ACS/WFC, ACCUM, WFC | F775W | | | Prime + Parallel Group 9-10 in Tile Visit 15 | 377 Secs [==>] | [1] | |



Proposal 12499 - Visit 16 - Proper Motions of Massive Stars in 30 Doradus

Sat Oct 15 01:05:50 GMT 2011

| Visit | Proposal 12499, Visit 16, completed Diagnostic Status: Warning Scientific Instruments: WFC3/UVIS, ACS/WFC Special Requirements: SAME ORIENT AS 01; BEFORE 31-OCT-2011:23:59:59 | | | | | | | | | |
|---------------|---|------------|---------------------|---|---------------|---------------|---|--|-------------------------|-------|
| | (Tile Visit 16) Warning (Orbit Planner): PARALLELS SIGNIFICANTLY EXTEND ALIGNMENT TIME | | | | | | | | | |
| Fixed Targets | # | Name | Target Coordinates | Targ. Coord. Corrections | Fluxes | Miscellaneous | | | | |
| | | (1) | 30-DOR | RA: 05 37 45.1809 (84.4382538d) Dec: -69 05 22.22 (-69.08951d) Equinox: J2000 | | V=16+/-1 | Reference Frame: ICRS | | | |
| | <i>Comments: This object was generated by the targetselector and retrieved from the SIMBAD database.</i> | | | | | | | | | |
| Exposures | # | Label | Target | Config,Mode,Aperture | Spectral Els. | Opt. Params. | Special Reqs. | Groups | Exp. Time/[Actual Dur.] | Orbit |
| | 1 | | (1) 30-DOR | WFC3/UVIS, ACCUM, UVIS-CENTER | F775W | | POS TARG 331.860 9296538416,47.3368 99999999986 | Prime + Parallel Group 1-2 in Tile Visit 16 | 35 Secs [==>] | [1] |
| | 2 | | (1) 30-DOR | ACS/WFC, ACCUM, WFC | F775W | | | Prime + Parallel Group 1-2 in Tile Visit 16 | 32 Secs [==>] | [1] |
| | 3 | | (1) 30-DOR | WFC3/UVIS, ACCUM, UVIS-CENTER | F775W | | POS TARG 331.860 9296538416,47.3368 99999999986 | Prime + Parallel Group 3-4 in Tile Visit 16 | 699 Secs [==>] | [1] |
| | 4 | | (1) 30-DOR | ACS/WFC, ACCUM, WFC | F775W | | | Prime + Parallel Group 3-4 in Tile Visit 16 | 640 Secs [==>] | [1] |
| | 5 | | (1) 30-DOR | WFC3/UVIS, ACCUM, UVIS-CENTER | F775W | | POS TARG 351.860 9296538416,67.3368 99999999999 | Prime + Parallel Group 5-6 in Tile Visit 16 | 699 Secs [==>] | [1] |
| | 6 | | (1) 30-DOR | ACS/WFC, ACCUM, WFC | F775W | | | Prime + Parallel Group 5-6 in Tile Visit 16 | 640 Secs [==>] | [1] |
| | 7 | | (1) 30-DOR | WFC3/UVIS, ACCUM, UVIS-CENTER | F775W | | POS TARG 371.860 9296538416,87.3368 99999999999 | Prime + Parallel Group 7-8 in Tile Visit 16 | 699 Secs [==>] | [1] |
| | 8 | | (1) 30-DOR | ACS/WFC, ACCUM, WFC | F775W | | | Prime + Parallel Group 7-8 in Tile Visit 16 | 640 Secs [==>] | [1] |
| | 9 | | (1) 30-DOR | WFC3/UVIS, ACCUM, UVIS-CENTER | F775W | | POS TARG 391.860 9296538416,107.336 89999999999 | Prime + Parallel Group 9-10 in Tile Visit 16 | 507 Secs [==>] | [1] |
| 10 | | (1) 30-DOR | ACS/WFC, ACCUM, WFC | F775W | | | Prime + Parallel Group 9-10 in Tile Visit 16 | 377 Secs [==>] | [1] | |

