



16025 - Snapshot Survey of the Globular Cluster Populations of Isolated Early Type Galaxies

Cycle: 26, Proposal Category: SNAP

(Availability Mode: SUPPORTED)

INVESTIGATORS

<i>Name</i>	<i>Institution</i>	<i>E-Mail</i>
Dr. Michael D. Gregg (PI) (Contact)	University of California - Davis	mdgregg@ucdavis.edu
Dr. Michael J. West (CoI)	Lowell Observatory	mwest@lowell.edu

VISITS

<i>Visit</i>	<i>Targets used in Visit</i>	<i>Configurations used in Visit</i>	<i>Orbits Used</i>	<i>Last Orbit Planner Run</i>	<i>OP Current with Visit?</i>
01	(1) SDSS-J140415.84+040643.8 ANY	ACS/WFC WFC3/UVIS	1	03-Oct-2019 18:00:22.0	yes
04	(4) SDSS-J085132.94+305155.2 ANY	ACS/WFC WFC3/UVIS	1	03-Oct-2019 18:00:23.0	yes
05	(5) SDSS-J143452.39+542833.0 ANY	ACS/WFC WFC3/UVIS	1	03-Oct-2019 18:00:25.0	yes
06	(6) SDSS-J101248.57+430843.9 ANY	ACS/WFC WFC3/UVIS	1	03-Oct-2019 18:00:26.0	yes
07	(7) SDSS-J074022.74+231629.9 ANY	ACS/WFC WFC3/UVIS	1	03-Oct-2019 18:00:27.0	yes
08	(8) SDSS-J105837.56+090301.6 ANY	ACS/WFC WFC3/UVIS	1	03-Oct-2019 18:00:28.0	yes

Proposal 16025 (STScI Edit Number: 2, Created: Thursday, October 3, 2019 at 5:01:12 PM Eastern Standard Time) - Overview

<i>Visit</i>	<i>Targets used in Visit</i>	<i>Configurations used in Visit</i>	<i>Orbits Used</i>	<i>Last Orbit Planner Run</i>	<i>OP Current with Visit?</i>
10	(10) SDSS-J115128.06+352603.7 ANY	ACS/WFC WFC3/UVIS	1	03-Oct-2019 18:00:29.0	yes
11	(11) SDSS-J125726.46-032927.2 ANY	ACS/WFC WFC3/UVIS	1	03-Oct-2019 18:00:30.0	yes
13	(13) SDSS-J105118.02+443418.4 ANY	ACS/WFC WFC3/UVIS	1	03-Oct-2019 18:00:31.0	yes
14	(14) SDSS-J113411.67+123044.3 ANY	ACS/WFC WFC3/UVIS	1	03-Oct-2019 18:00:33.0	yes
16	(16) SDSS-J081254.15+554019.4 ANY	ACS/WFC WFC3/UVIS	1	03-Oct-2019 18:00:34.0	yes
17	(17) SDSS-J115858.99+541420.5 ANY	ACS/WFC WFC3/UVIS	1	03-Oct-2019 18:00:35.0	yes
18	(18) SDSS-J132006.92+143235.7 ANY	ACS/WFC WFC3/UVIS	1	03-Oct-2019 18:00:36.0	yes
20	(20) SDSS-J090128.61+034314.1 ANY	ACS/WFC WFC3/UVIS	1	03-Oct-2019 18:00:37.0	yes
22	(22) SDSS-J100045.20+044403.5 ANY	ACS/WFC WFC3/UVIS	1	03-Oct-2019 18:00:38.0	yes
23	(23) SDSS-J082203.60+084509.3 ANY	ACS/WFC WFC3/UVIS	1	03-Oct-2019 18:00:39.0	yes
25	(25) SDSS-J085204.62+470209.3 ANY	ACS/WFC WFC3/UVIS	1	03-Oct-2019 18:00:40.0	yes
28	(28) SDSS-J135845.61+025039.3 ANY	ACS/WFC WFC3/UVIS	1	03-Oct-2019 18:00:41.0	yes
29	(29) SDSS-J111304.88+192734.6 ANY	ACS/WFC WFC3/UVIS	1	03-Oct-2019 18:00:42.0	yes
31	(31) SDSS-J094403.20+293634.1 ANY	ACS/WFC WFC3/UVIS	1	03-Oct-2019 18:00:43.0	yes

Proposal 16025 (STScI Edit Number: 2, Created: Thursday, October 3, 2019 at 5:01:12 PM Eastern Standard Time) - Overview

<i>Visit</i>	<i>Targets used in Visit</i>	<i>Configurations used in Visit</i>	<i>Orbits Used</i>	<i>Last Orbit Planner Run</i>	<i>OP Current with Visit?</i>
34	(34) SDSS-J101229.29+122238.1 ANY	ACS/WFC WFC3/UVIS	1	03-Oct-2019 18:00:44.0	yes
36	(36) SDSS-J150856.20+241641.7 ANY	ACS/WFC WFC3/UVIS	1	03-Oct-2019 18:00:45.0	yes
37	(37) SDSS-J143912.68+155238.5 ANY	ACS/WFC WFC3/UVIS	1	03-Oct-2019 18:00:46.0	yes
38	(38) SDSS-J122203.43-023700.2 ANY	ACS/WFC WFC3/UVIS	1	03-Oct-2019 18:00:47.0	yes
39	(39) SDSS-J075040.75+232939.5 ANY	ACS/WFC WFC3/UVIS	1	03-Oct-2019 18:00:49.0	yes
40	(40) SDSS-J103920.45-001200.8 ANY	ACS/WFC WFC3/UVIS	1	03-Oct-2019 18:00:50.0	yes
41	(41) SDSS-J090841.83+002904.8 ANY	ACS/WFC WFC3/UVIS	1	03-Oct-2019 18:00:51.0	yes
44	(44) SDSS-J120403.35+551217.7 ANY	ACS/WFC WFC3/UVIS	1	03-Oct-2019 18:00:52.0	yes
45	(45) SDSS-J114054.17-024140.8 ANY	ACS/WFC WFC3/UVIS	1	03-Oct-2019 18:00:53.0	yes
49	(49) SDSS-J074834.64+444117.8 ANY	ACS/WFC WFC3/UVIS	1	03-Oct-2019 18:00:54.0	yes
50	(50) SDSS-J085408.68+172547.9 ANY	ACS/WFC WFC3/UVIS	1	03-Oct-2019 18:00:55.0	yes
54	(54) SDSS-J111602.59+534925.0 ANY	ACS/WFC WFC3/UVIS	1	03-Oct-2019 18:00:56.0	yes
55	(55) SDSS-J101040.31+242450.9 ANY	ACS/WFC WFC3/UVIS	1	03-Oct-2019 18:00:57.0	yes
56	(56) SDSS-J110916.08+360115.9 ANY	ACS/WFC WFC3/UVIS	1	03-Oct-2019 18:00:59.0	yes

Proposal 16025 (STScI Edit Number: 2, Created: Thursday, October 3, 2019 at 5:01:12 PM Eastern Standard Time) - Overview

<i>Visit</i>	<i>Targets used in Visit</i>	<i>Configurations used in Visit</i>	<i>Orbits Used</i>	<i>Last Orbit Planner Run</i>	<i>OP Current with Visit?</i>
57	(57) SDSS-J104148.63+302311.4 ANY	ACS/WFC WFC3/UVIS	1	03-Oct-2019 18:01:00.0	yes
59	(59) SDSS-J124323.92+063957.2 ANY	ACS/WFC WFC3/UVIS	1	03-Oct-2019 18:01:01.0	yes
61	(61) SDSS-J105535.90+042239.1 ANY	ACS/WFC WFC3/UVIS	1	03-Oct-2019 18:01:02.0	yes
62	(62) SDSS-J094431.09+324845.4 ANY	ACS/WFC WFC3/UVIS	1	03-Oct-2019 18:01:03.0	yes
64	(64) SDSS-J142416.30+333645.2 ANY	ACS/WFC WFC3/UVIS	1	03-Oct-2019 18:01:04.0	yes
72	(72) SDSS-J145123.41+000025.4 ANY	ACS/WFC WFC3/UVIS	1	03-Oct-2019 18:01:05.0	yes
73	(73) SDSS-J101926.02+442416.7 ANY	ACS/WFC WFC3/UVIS	1	03-Oct-2019 18:01:06.0	yes
74	(74) SDSS-J082808.83+260541.9 ANY	ACS/WFC WFC3/UVIS	1	03-Oct-2019 18:01:07.0	yes
15	(15) SDSS-J091514.45+581200.0 ANY	ACS/WFC WFC3/UVIS	1	03-Oct-2019 18:01:08.0	yes
32	(32) SDSS-J080720.24+510753.7 ANY	ACS/WFC WFC3/UVIS	1	03-Oct-2019 18:01:09.0	yes
63	(63) SDSS-J075334.01+514648.5 ANY	ACS/WFC WFC3/UVIS	1	03-Oct-2019 18:01:10.0	yes
65	(65) SDSS-J092252.91+513243.7 ANY	ACS/WFC WFC3/UVIS	1	03-Oct-2019 18:01:11.0	yes

46 Total Orbits Used

ABSTRACT

We propose WFC3/UVIS snapshot observations of a sample of 75 isolated early type galaxies residing in cosmic voids or extremely low density regions. The primary aim is to use their globular cluster populations to reconstruct their evolutionary history, revealing if, how, and why void ellipticals differ from cluster ellipticals. The galaxies span a range of luminosities, providing a varied sample for comparison with the well-documented globular cluster populations in denser environments. This proposed WFC3 study of isolated early type galaxies breaks new ground by targeting a sample which has thus far received little attention, and, significantly, this will be the first such study with HST. Characterizing early type galaxies in voids and their GC systems promises to increase our understanding of galaxy formation and evolution of galaxies in general because isolated objects are the best approximation to a control sample that we have for understanding the influence of environment on formation and evolution. Whether these isolated objects turn out to be identical to or distinct from counterparts in other regions of the Universe, they will supply insight into the formation and evolution of all galaxies. Parallel ACS imaging will help to characterize the near field environments of the sample.

OBSERVING DESCRIPTION

With a 33 percent completion rate, our 75 allocated snapshots will net 25 objects, about 2/3 E, 1/3 S0. This will provide a robust sample for meaningful comparison with non-void populations.

The WFC3 primary imaging observations are straightforward. Each target will be observed in the extremely wide WFC3 filters F475X and F600LP. These filters maximize the detection depth while still obtaining excellent blue B+V and red R+I photometric bands to characterize the color distributions of the globular cluster (GC) systems. Each of the targets will be imaged for 2x500s in each filter, which budgets to about a 45 minute snapshot, and we will employ a four point dither, obtaining the blue exposures on one

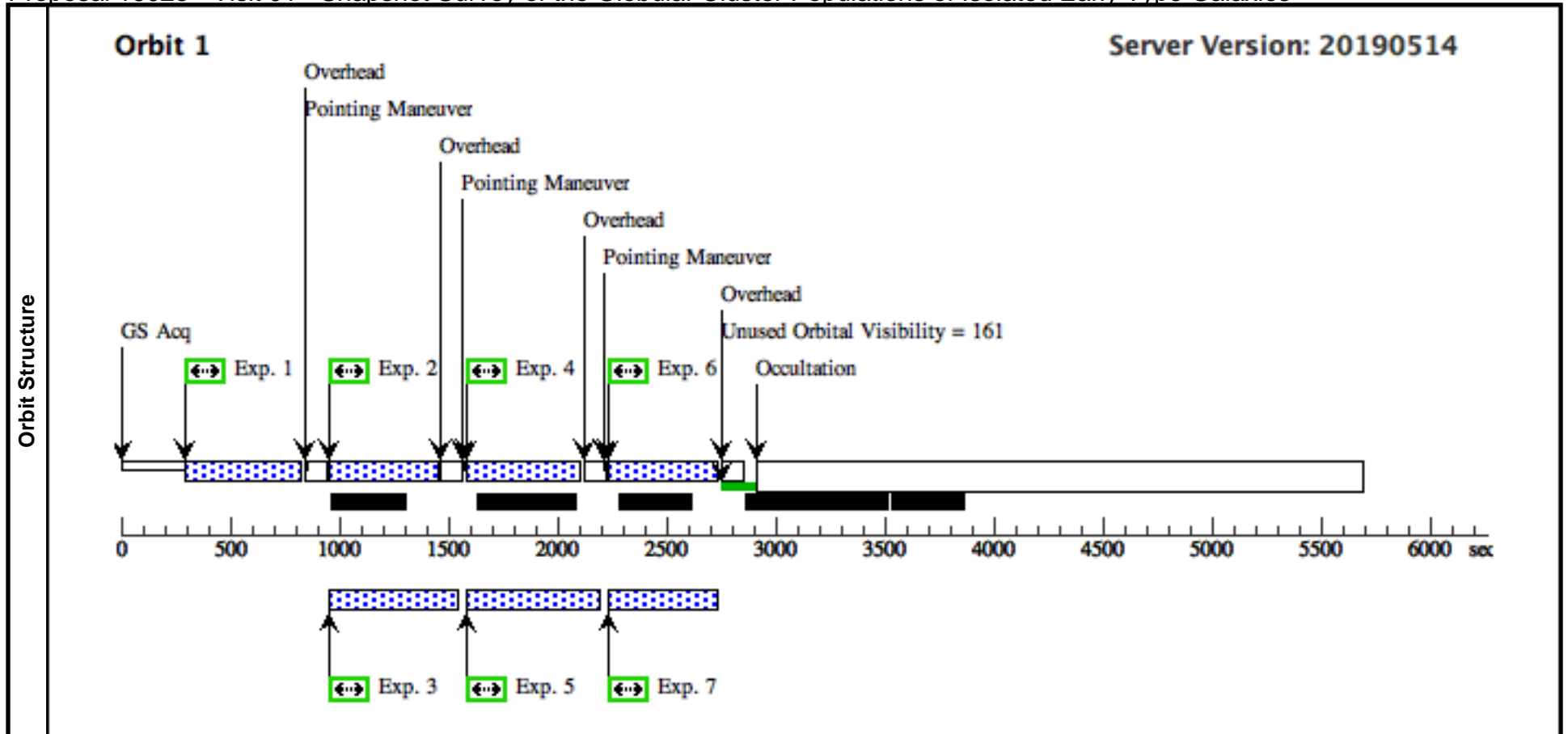
diagonal and red on the other diagonal of the box pattern. The most distant target is 90 Mpc away, closer than the Coma cluster, and these filters are considerably faster than those used in the Coma Treasury survey (Carter et al. 2005) which successfully measured the GC population at that distance (Peng et al. 2005). The proposed extremely wide WFC3 filter observations will reach significantly deeper down the GC luminosity function.

The ACS parallel imaging parallel will obtain information on the point source colors in the vicinity of the targets. Because of buffer dump timing limitations during the 45 minute snapshot, it is possible to obtain only a single full-detector exposure with ACS, so the these data will be shallower, and still valuable for detecting any far-field component of the cluster population or possible dwarf/UCD companions that have been overlooked in ground-based imaging and spectroscopy to date. We will use the combination of F475W and F814W to approximate both the primary WFC3 imaging and to make these data directly comparable to the Coma Treasury survey data, providing a control and comparison sample.

Proposal 16025 - Visit 01 - Snapshot Survey of the Globular Cluster Populations of Isolated Early Type Galaxies

Thu Oct 03 22:01:12 GMT 2019

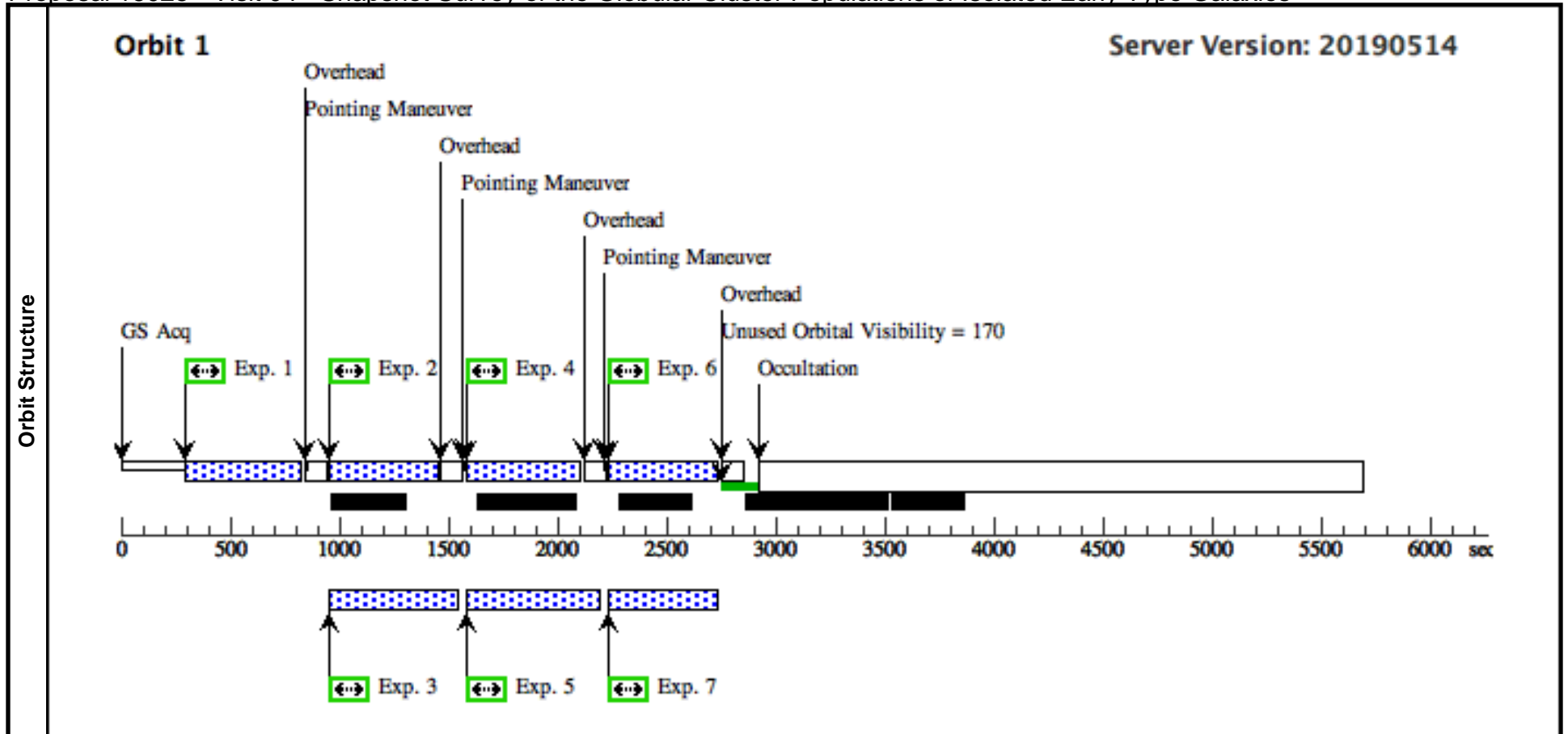
Visit	Proposal 16025, Visit 01, implementation Diagnostic Status: No Diagnostics Scientific Instruments: WFC3/UVIS, ACS/WFC Special Requirements: SCHED 100% Comments: <i>SNAPSHOT</i>									
	Fixed Targets	#	Name	Target Coordinates	Targ. Coord. Corrections	Fluxes	Miscellaneous			
	(1)	SDSS-J140415.84+040643.8	RA: 14 04 15.8435 (211.0660146d) Dec: +04 06 43.84 (4.11218d) Equinox: J2000		V=14.26 g-i = 1.09	Reference Frame: SDSS				
	Comments: Category=GALAXY Description=[ELLIPTICAL, LENTICULAR] Extended=YES									
Exposures	#	Label	Target	Config,Mode,Aperture	Spectral Els.	Opt. Params.	Special Reqs.	Groups	Exp. Time (Total)/[Actual Dur.]	Orbit
	1		(1) SDSS-J140415.84+040643.8	WFC3/UVIS, ACCUM, UVIS2-FIX	F600LP		POS TARG 0.0,20.0		500 Secs (500 Secs)	
									[==>]	[1]
	2		(1) SDSS-J140415.84+040643.8	WFC3/UVIS, ACCUM, UVIS2-FIX	F600LP		POS TARG 0.099,20.165	Prime + Parallel Group 2-3 in Visit 01	500 Secs (500 Secs)	
									[==>]	[1]
	3		ANY	ACS/WFC, ACCUM, WFC1A-2K	F475W			Prime + Parallel Group 2-3 in Visit 01	385 Secs (385 Secs)	
									[==>]	[1]
	4		(1) SDSS-J140415.84+040643.8	WFC3/UVIS, ACCUM, UVIS2-FIX	F350LP		POS TARG 0.158,20.070	Prime + Parallel Group 4-5 in Visit 01	500 Secs (500 Secs)	
								[==>]	[1]	
5		ANY	ACS/WFC, ACCUM, WFC	F814W			Prime + Parallel Group 4-5 in Visit 01	450 Secs (450 Secs)		
								[==>]	[1]	
6		(1) SDSS-J140415.84+040643.8	WFC3/UVIS, ACCUM, UVIS2-FIX	F350LP		POS TARG -0.060,20.095	Prime + Parallel Group 6-7 in Visit 01	500 Secs (500 Secs)		
								[==>]	[1]	
7		ANY	ACS/WFC, ACCUM, WFC	F475W			Prime + Parallel Group 6-7 in Visit 01	340 Secs (340 Secs)		
								[==>]	[1]	



Proposal 16025 - Visit 04 - Snapshot Survey of the Globular Cluster Populations of Isolated Early Type Galaxies

Thu Oct 03 22:01:12 GMT 2019

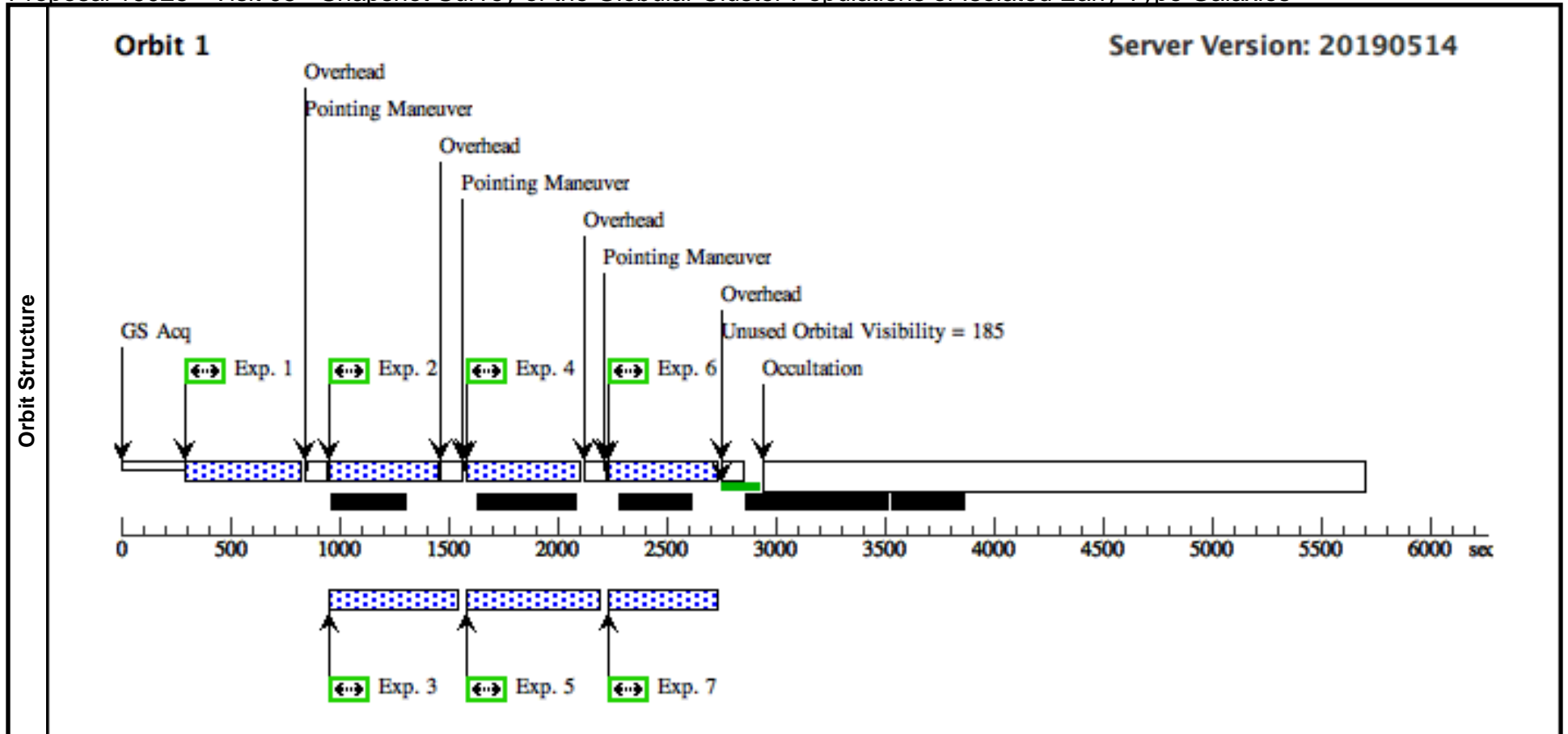
Visit	Proposal 16025, Visit 04, implementation Diagnostic Status: No Diagnostics Scientific Instruments: WFC3/UVIS, ACS/WFC Special Requirements: SCHED 100% Comments: <i>SNAPSHOT</i>									
	Fixed Targets	#	Name	Target Coordinates	Targ. Coord. Corrections	Fluxes	Miscellaneous			
	(4)	SDSS-J085132.94+305155.2	RA: 08 51 32.9407 (132.8872529d) Dec: +30 51 55.24 (30.86534d) Equinox: J2000		V=13.55 g-i = 1.13	Reference Frame: SDSS				
	Comments: Category= <i>GALAXY</i> Description= <i>[ELLIPTICAL, LENTICULAR]</i> Extended= <i>YES</i>									
Exposures	#	Label	Target	Config,Mode,Aperture	Spectral Els.	Opt. Params.	Special Reqs.	Groups	Exp. Time (Total)/[Actual Dur.]	Orbit
	1		(4) SDSS-J085132.94+305155.2	WFC3/UVIS, ACCUM, UVIS2-FIX	F600LP		POS TARG 0.0,30.0		500 Secs (500 Secs)	
									[==>]	[1]
	2		(4) SDSS-J085132.94+305155.2	WFC3/UVIS, ACCUM, UVIS2-FIX	F600LP		POS TARG 0.099,30.165	Prime + Parallel Group 2-3 in Visit 04	500 Secs (500 Secs)	
									[==>]	[1]
	3		ANY	ACS/WFC, ACCUM, WFC1A-2K	F475W			Prime + Parallel Group 2-3 in Visit 04	385 Secs (385 Secs)	
									[==>]	[1]
	4		(4) SDSS-J085132.94+305155.2	WFC3/UVIS, ACCUM, UVIS2-FIX	F350LP		POS TARG 0.158,30.070	Prime + Parallel Group 4-5 in Visit 04	500 Secs (500 Secs)	
								[==>]	[1]	
5		ANY	ACS/WFC, ACCUM, WFC	F814W			Prime + Parallel Group 4-5 in Visit 04	450 Secs (450 Secs)		
								[==>]	[1]	
6		(4) SDSS-J085132.94+305155.2	WFC3/UVIS, ACCUM, UVIS2-FIX	F350LP		POS TARG -0.060,30.095	Prime + Parallel Group 6-7 in Visit 04	500 Secs (500 Secs)		
								[==>]	[1]	
7		ANY	ACS/WFC, ACCUM, WFC	F475W			Prime + Parallel Group 6-7 in Visit 04	340 Secs (340 Secs)		
								[==>]	[1]	



Proposal 16025 - Visit 05 - Snapshot Survey of the Globular Cluster Populations of Isolated Early Type Galaxies

Thu Oct 03 22:01:12 GMT 2019

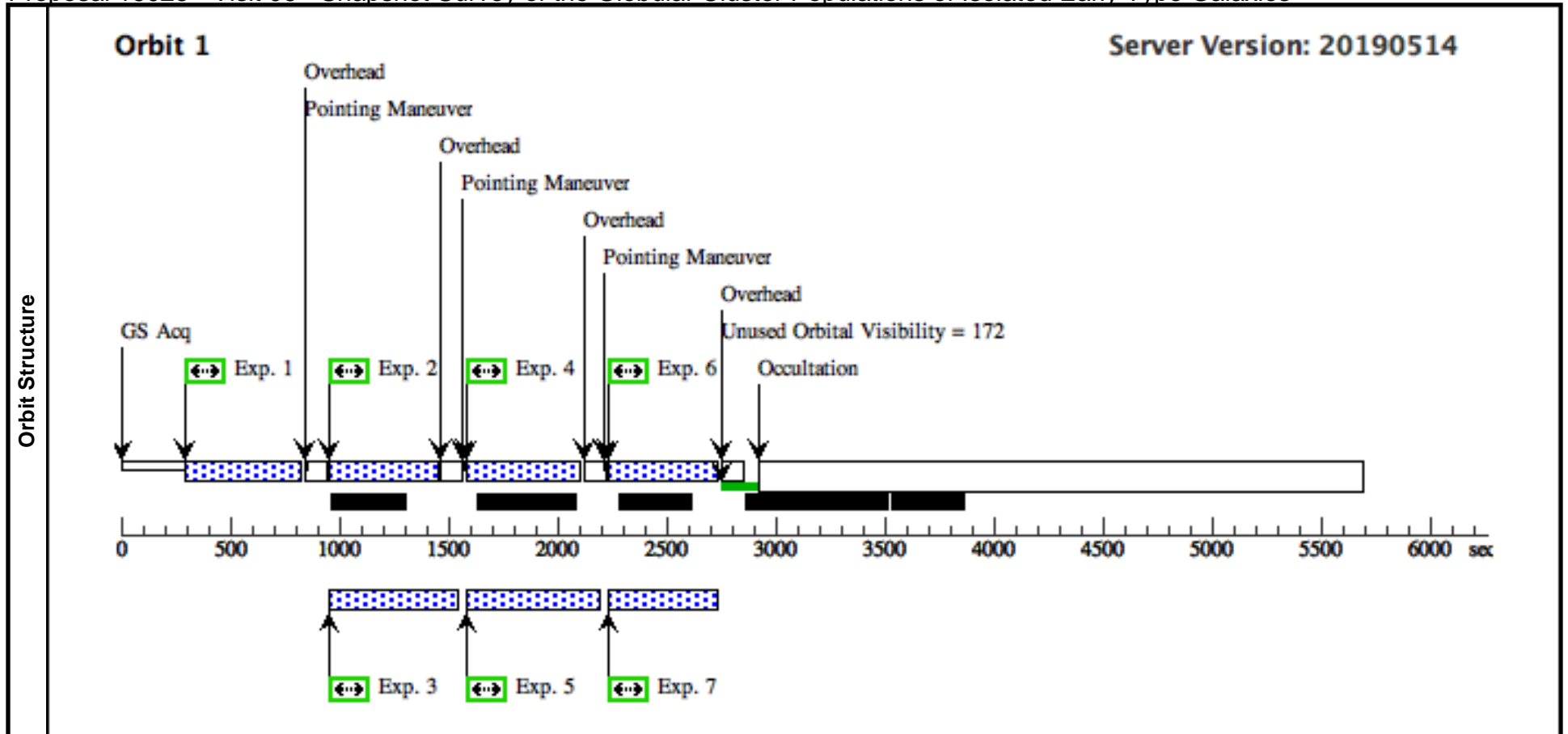
Visit	Proposal 16025, Visit 05, implementation Diagnostic Status: No Diagnostics Scientific Instruments: WFC3/UVIS, ACS/WFC Special Requirements: SCHED 100% Comments: <i>SNAPSHOT</i>									
	Fixed Targets	#	Name	Target Coordinates	Targ. Coord. Corrections	Fluxes	Miscellaneous			
	(5)	SDSS-J143452.39+542833.0	RA: 14 34 52.4041 (218.7183504d) Dec: +54 28 33.06 (54.47585d) Equinox: J2000		V=12.98 g-i = 1.27	Reference Frame: SDSS				
	Comments: Category= <i>GALAXY</i> Description= <i>[ELLIPTICAL, LENTICULAR]</i> Extended= <i>YES</i>									
Exposures	#	Label	Target	Config,Mode,Aperture	Spectral Els.	Opt. Params.	Special Reqs.	Groups	Exp. Time (Total)/[Actual Dur.]	Orbit
	1		(5) SDSS-J143452.39+542833.0	WFC3/UVIS, ACCUM, UVIS2-FIX	F600LP		POS TARG 0.0,35.0		500 Secs (500 Secs)	
									[==>]	[1]
	2		(5) SDSS-J143452.39+542833.0	WFC3/UVIS, ACCUM, UVIS2-FIX	F600LP		POS TARG 0.099,35.165	Prime + Parallel Group 2-3 in Visit 05	500 Secs (500 Secs)	
									[==>]	[1]
	3		ANY	ACS/WFC, ACCUM, WFC1A-2K	F475W			Prime + Parallel Group 2-3 in Visit 05	385 Secs (385 Secs)	
									[==>]	[1]
	4		(5) SDSS-J143452.39+542833.0	WFC3/UVIS, ACCUM, UVIS2-FIX	F350LP		POS TARG 0.158,35.070	Prime + Parallel Group 4-5 in Visit 05	500 Secs (500 Secs)	
								[==>]	[1]	
5		ANY	ACS/WFC, ACCUM, WFC	F814W			Prime + Parallel Group 4-5 in Visit 05	450 Secs (450 Secs)		
								[==>]	[1]	
6		(5) SDSS-J143452.39+542833.0	WFC3/UVIS, ACCUM, UVIS2-FIX	F350LP		POS TARG -0.060,35.095	Prime + Parallel Group 6-7 in Visit 05	500 Secs (500 Secs)		
								[==>]	[1]	
7		ANY	ACS/WFC, ACCUM, WFC	F475W			Prime + Parallel Group 6-7 in Visit 05	340 Secs (340 Secs)		
								[==>]	[1]	



Proposal 16025 - Visit 06 - Snapshot Survey of the Globular Cluster Populations of Isolated Early Type Galaxies

Thu Oct 03 22:01:13 GMT 2019

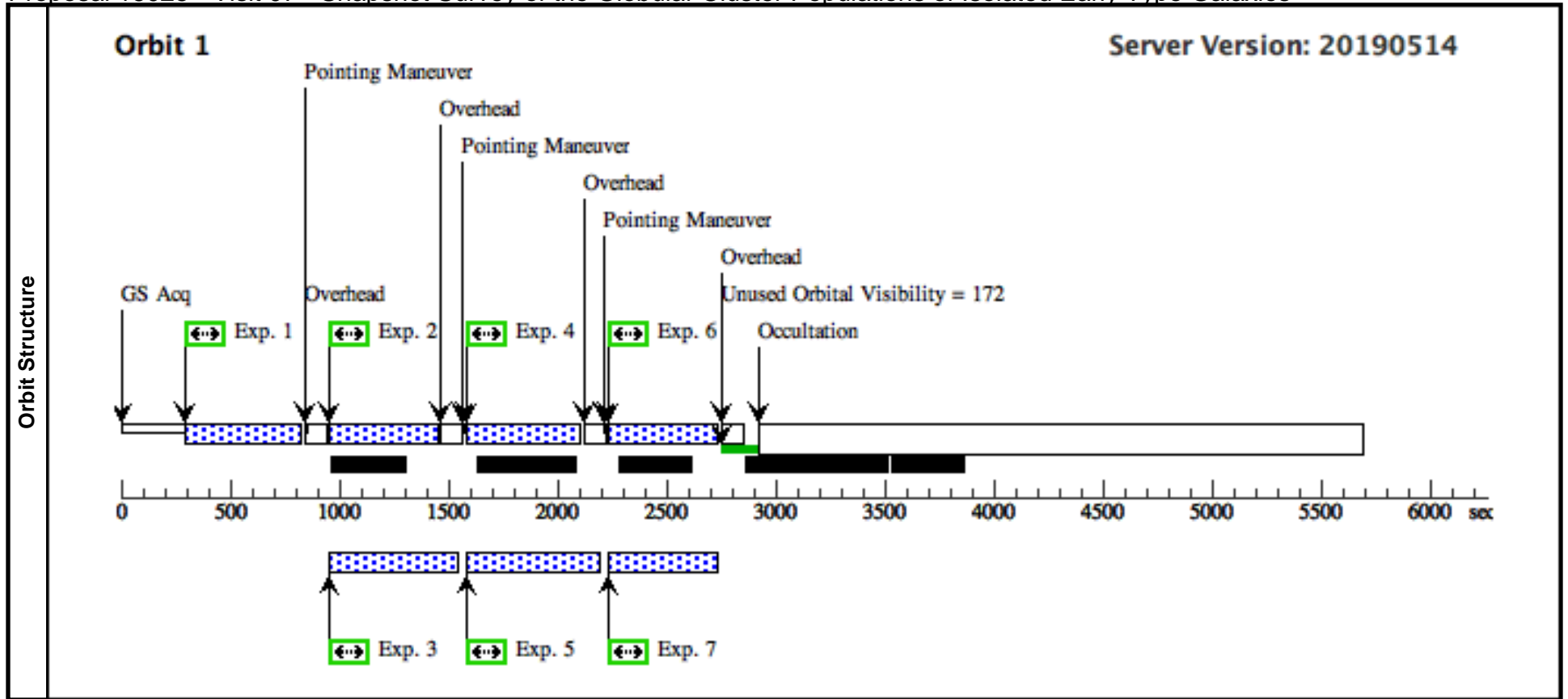
Visit	Proposal 16025, Visit 06, implementation Diagnostic Status: No Diagnostics Scientific Instruments: WFC3/UVIS, ACS/WFC Special Requirements: SCHED 100% Comments: <i>SNAPSHOT</i>									
	Fixed Targets	#	Name	Target Coordinates	Targ. Coord. Corrections	Fluxes	Miscellaneous			
	(6)	SDSS-J101248.57+430843.9	RA: 10 12 48.5703 (153.2023762d) Dec: +43 08 43.94 (43.14554d) Equinox: J2000		V=13.49 g-i = 1.03	Reference Frame: SDSS				
	Comments: Category=GALAXY Description=[ELLIPTICAL, LENTICULAR] Extended=YES									
Exposures	#	Label	Target	Config,Mode,Aperture	Spectral Els.	Opt. Params.	Special Reqs.	Groups	Exp. Time (Total)/[Actual Dur.]	Orbit
	1		(6) SDSS-J101248.57+430843.9	WFC3/UVIS, ACCUM, UVIS2-FIX	F600LP		POS TARG 0.0,20.0		500 Secs (500 Secs)	
									[==>]	[1]
	2		(6) SDSS-J101248.57+430843.9	WFC3/UVIS, ACCUM, UVIS2-FIX	F600LP		POS TARG 0.099,20.165	Prime + Parallel Group 2-3 in Visit 06	500 Secs (500 Secs)	
									[==>]	[1]
	3		ANY	ACS/WFC, ACCUM, WFC1A-2K	F475W			Prime + Parallel Group 2-3 in Visit 06	385 Secs (385 Secs)	
									[==>]	[1]
	4		(6) SDSS-J101248.57+430843.9	WFC3/UVIS, ACCUM, UVIS2-FIX	F350LP		POS TARG 0.158,20.070	Prime + Parallel Group 4-5 in Visit 06	500 Secs (500 Secs)	
								[==>]	[1]	
5		ANY	ACS/WFC, ACCUM, WFC	F814W			Prime + Parallel Group 4-5 in Visit 06	450 Secs (450 Secs)		
								[==>]	[1]	
6		(6) SDSS-J101248.57+430843.9	WFC3/UVIS, ACCUM, UVIS2-FIX	F350LP		POS TARG -0.060,20.095	Prime + Parallel Group 6-7 in Visit 06	500 Secs (500 Secs)		
								[==>]	[1]	
7		ANY	ACS/WFC, ACCUM, WFC	F475W			Prime + Parallel Group 6-7 in Visit 06	340 Secs (340 Secs)		
								[==>]	[1]	



Proposal 16025 - Visit 07 - Snapshot Survey of the Globular Cluster Populations of Isolated Early Type Galaxies

Thu Oct 03 22:01:13 GMT 2019

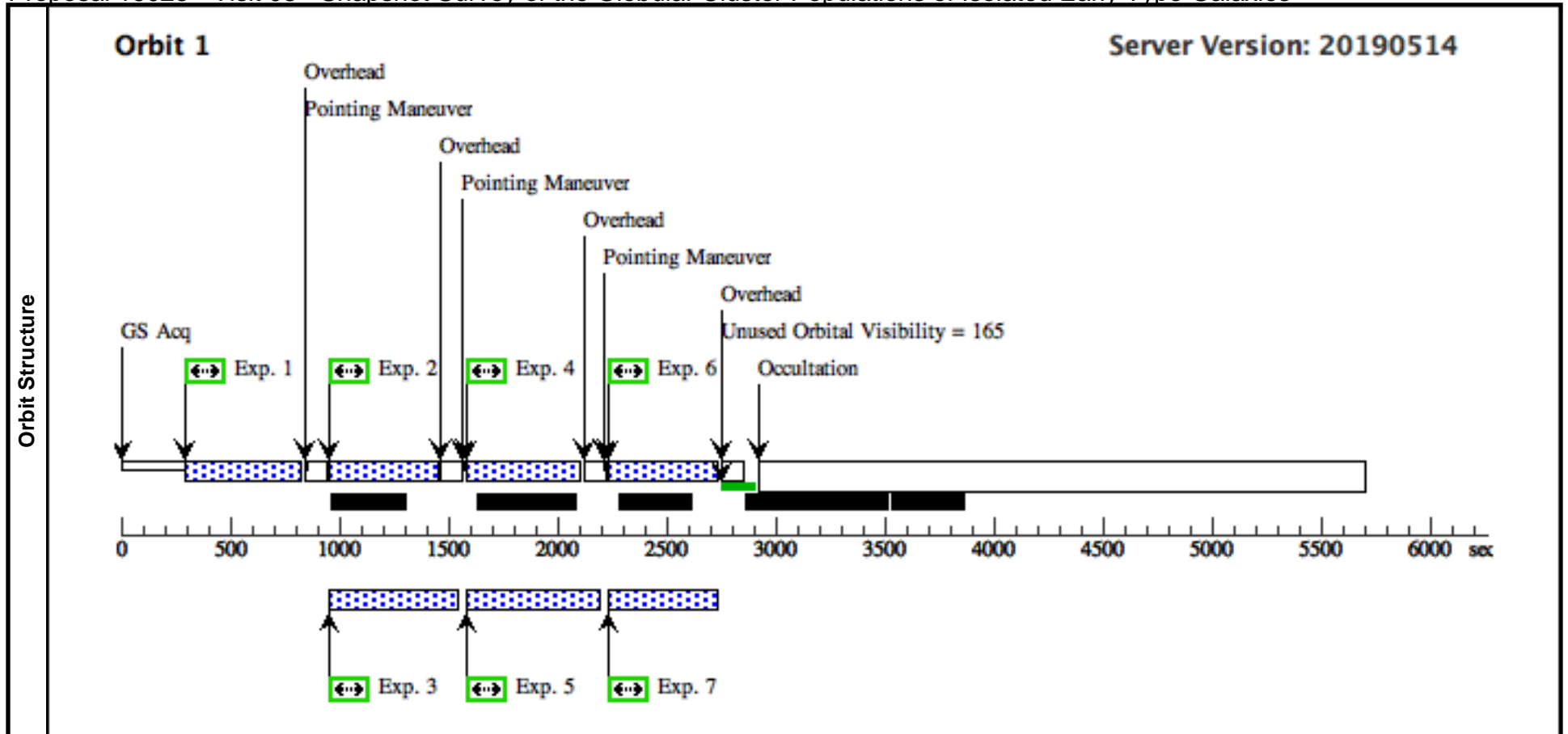
Visit	Proposal 16025, Visit 07, implementation Diagnostic Status: No Diagnostics Scientific Instruments: WFC3/UVIS, ACS/WFC Special Requirements: SCHED 100% Comments: <i>SNAPSHOT</i>									
	Fixed Targets	#	Name	Target Coordinates	Targ. Coord. Corrections	Fluxes	Miscellaneous			
	(7)	SDSS-J074022.74+231629.9	RA: 07 40 22.7460 (115.0947750d) Dec: +23 16 29.93 (23.27498d) Equinox: J2000		V=14.06 g-i = 1.14	Reference Frame: SDSS				
	Comments: Category=GALAXY Description=[ELLIPTICAL, LENTICULAR] Extended=YES									
Exposures	#	Label	Target	Config,Mode,Aperture	Spectral Els.	Opt. Params.	Special Reqs.	Groups	Exp. Time (Total)/[Actual Dur.]	Orbit
	1		(7) SDSS-J074022.74+231629.9	WFC3/UVIS, ACCUM, UVIS2-FIX	F600LP		POS TARG 0.0,25.0		500 Secs (500 Secs)	
									[==>]	[1]
	2		(7) SDSS-J074022.74+231629.9	WFC3/UVIS, ACCUM, UVIS2-FIX	F600LP		POS TARG 0.099,25.165	Prime + Parallel Group 2-3 in Visit 07	500 Secs (500 Secs)	
									[==>]	[1]
	3		ANY	ACS/WFC, ACCUM, WFC1A-2K	F475W			Prime + Parallel Group 2-3 in Visit 07	385 Secs (385 Secs)	
									[==>]	[1]
	4		(7) SDSS-J074022.74+231629.9	WFC3/UVIS, ACCUM, UVIS2-FIX	F350LP		POS TARG 0.158,25.070	Prime + Parallel Group 4-5 in Visit 07	500 Secs (500 Secs)	
								[==>]	[1]	
5		ANY	ACS/WFC, ACCUM, WFC	F814W			Prime + Parallel Group 4-5 in Visit 07	450 Secs (450 Secs)		
								[==>]	[1]	
6		(7) SDSS-J074022.74+231629.9	WFC3/UVIS, ACCUM, UVIS2-FIX	F350LP		POS TARG -0.060,25.095	Prime + Parallel Group 6-7 in Visit 07	500 Secs (500 Secs)		
								[==>]	[1]	
7		ANY	ACS/WFC, ACCUM, WFC	F475W			Prime + Parallel Group 6-7 in Visit 07	340 Secs (340 Secs)		
								[==>]	[1]	



Proposal 16025 - Visit 08 - Snapshot Survey of the Globular Cluster Populations of Isolated Early Type Galaxies

Thu Oct 03 22:01:13 GMT 2019

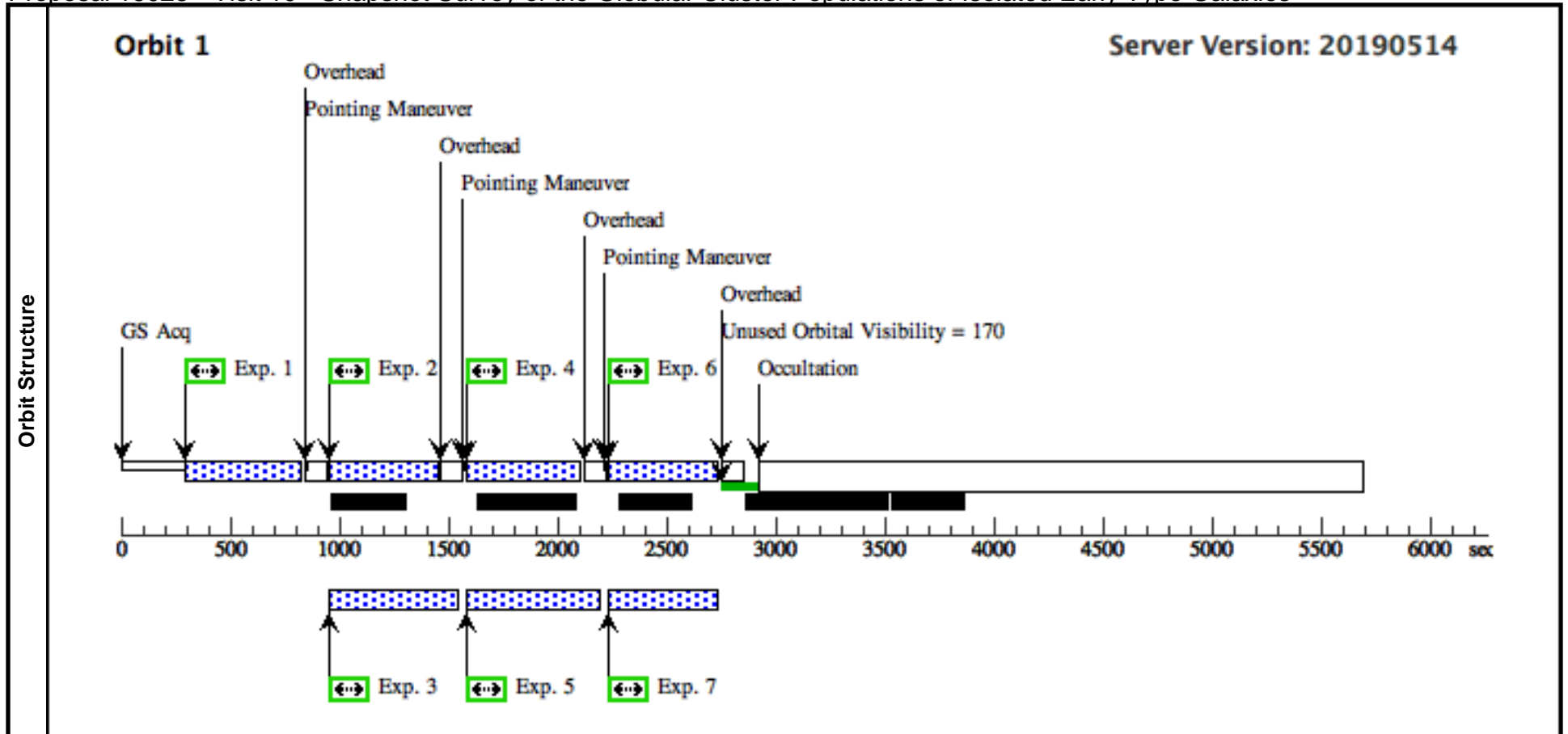
Visit	Proposal 16025, Visit 08, implementation Diagnostic Status: No Diagnostics Scientific Instruments: WFC3/UVIS, ACS/WFC Special Requirements: SCHED 100% Comments: <i>SNAPSHOT</i>									
	Fixed Targets	#	Name	Target Coordinates	Targ. Coord. Corrections	Fluxes	Miscellaneous			
	(8)	SDSS-J105837.56+090301.6	RA: 10 58 37.5657 (164.6565237d) Dec: +09 03 1.63 (9.05045d) Equinox: J2000		V=13.78 g-i = 1.21	Reference Frame: SDSS				
	Comments: Category=GALAXY Description=[ELLIPTICAL, LENTICULAR] Extended=YES									
Exposures	#	Label	Target	Config,Mode,Aperture	Spectral Els.	Opt. Params.	Special Reqs.	Groups	Exp. Time (Total)/[Actual Dur.]	Orbit
	1		(8) SDSS-J105837.56+090301.6	WFC3/UVIS, ACCUM, UVIS2-FIX	F600LP		POS TARG 0.0,20.0		500 Secs (500 Secs)	
									[==>]	[1]
	2		(8) SDSS-J105837.56+090301.6	WFC3/UVIS, ACCUM, UVIS2-FIX	F600LP		POS TARG 0.099,20.165	Prime + Parallel Group 2-3 in Visit 08	500 Secs (500 Secs)	
									[==>]	[1]
	3		ANY	ACS/WFC, ACCUM, WFC1A-2K	F475W			Prime + Parallel Group 2-3 in Visit 08	385 Secs (385 Secs)	
									[==>]	[1]
	4		(8) SDSS-J105837.56+090301.6	WFC3/UVIS, ACCUM, UVIS2-FIX	F350LP		POS TARG 0.158,20.070	Prime + Parallel Group 4-5 in Visit 08	500 Secs (500 Secs)	
								[==>]	[1]	
5		ANY	ACS/WFC, ACCUM, WFC	F814W			Prime + Parallel Group 4-5 in Visit 08	450 Secs (450 Secs)		
								[==>]	[1]	
6		(8) SDSS-J105837.56+090301.6	WFC3/UVIS, ACCUM, UVIS2-FIX	F350LP		POS TARG -0.060,20.095	Prime + Parallel Group 6-7 in Visit 08	500 Secs (500 Secs)		
								[==>]	[1]	
7		ANY	ACS/WFC, ACCUM, WFC	F475W			Prime + Parallel Group 6-7 in Visit 08	340 Secs (340 Secs)		
								[==>]	[1]	



Proposal 16025 - Visit 10 - Snapshot Survey of the Globular Cluster Populations of Isolated Early Type Galaxies

Thu Oct 03 22:01:13 GMT 2019

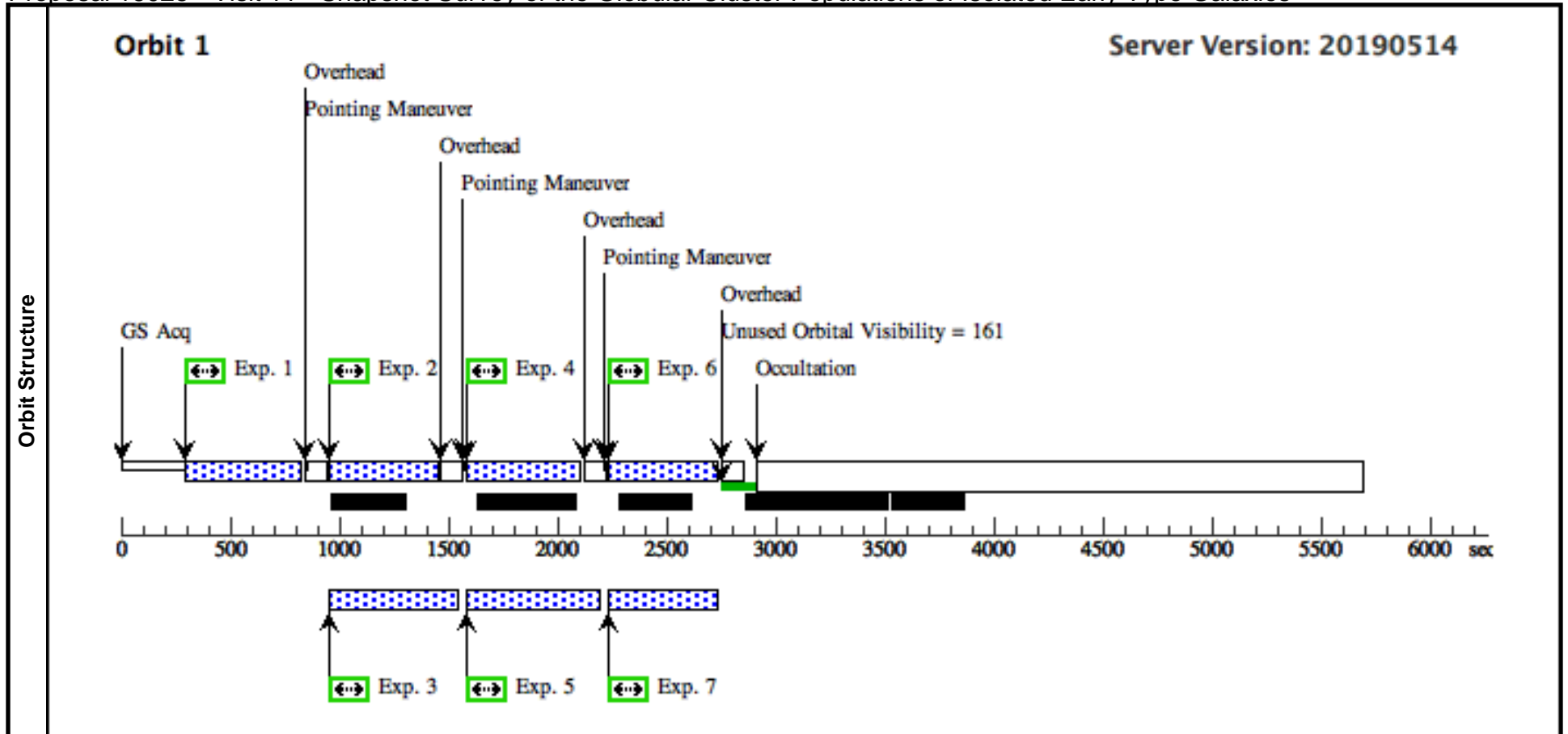
Visit	Proposal 16025, Visit 10, implementation Diagnostic Status: No Diagnostics Scientific Instruments: WFC3/UVIS, ACS/WFC Special Requirements: SCHED 100% Comments: <i>SNAPSHOT</i>									
	Fixed Targets	#	Name	Target Coordinates	Targ. Coord. Corrections	Fluxes	Miscellaneous			
	(10)	SDSS-J115128.06+352603.7	RA: 11 51 28.0597 (177.8669154d) Dec: +35 26 3.77 (35.43438d) Equinox: J2000		V=13.89 g-i = 1.14	Reference Frame: SDSS				
	Comments: Category= <i>GALAXY</i> Description= <i>[ELLIPTICAL, LENTICULAR]</i> Extended= <i>YES</i>									
Exposures	#	Label	Target	Config,Mode,Aperture	Spectral Els.	Opt. Params.	Special Reqs.	Groups	Exp. Time (Total)/[Actual Dur.]	Orbit
	1		(10) SDSS-J115128.06+352603.7	WFC3/UVIS, ACCUM, UVIS2-FIX	F600LP		POS TARG 0.0,20.0		500 Secs (500 Secs)	
									[==>]	[1]
	2		(10) SDSS-J115128.06+352603.7	WFC3/UVIS, ACCUM, UVIS2-FIX	F600LP		POS TARG 0.099,20.165	Prime + Parallel Group 2-3 in Visit 10	500 Secs (500 Secs)	
									[==>]	[1]
	3		ANY	ACS/WFC, ACCUM, WFC1A-2K	F475W			Prime + Parallel Group 2-3 in Visit 10	385 Secs (385 Secs)	
									[==>]	[1]
	4		(10) SDSS-J115128.06+352603.7	WFC3/UVIS, ACCUM, UVIS2-FIX	F350LP		POS TARG 0.158,20.070	Prime + Parallel Group 4-5 in Visit 10	500 Secs (500 Secs)	
								[==>]	[1]	
5		ANY	ACS/WFC, ACCUM, WFC	F814W			Prime + Parallel Group 4-5 in Visit 10	450 Secs (450 Secs)		
								[==>]	[1]	
6		(10) SDSS-J115128.06+352603.7	WFC3/UVIS, ACCUM, UVIS2-FIX	F350LP		POS TARG -0.060,20.095	Prime + Parallel Group 6-7 in Visit 10	500 Secs (500 Secs)		
								[==>]	[1]	
7		ANY	ACS/WFC, ACCUM, WFC	F475W			Prime + Parallel Group 6-7 in Visit 10	340 Secs (340 Secs)		
								[==>]	[1]	



Proposal 16025 - Visit 11 - Snapshot Survey of the Globular Cluster Populations of Isolated Early Type Galaxies

Thu Oct 03 22:01:13 GMT 2019

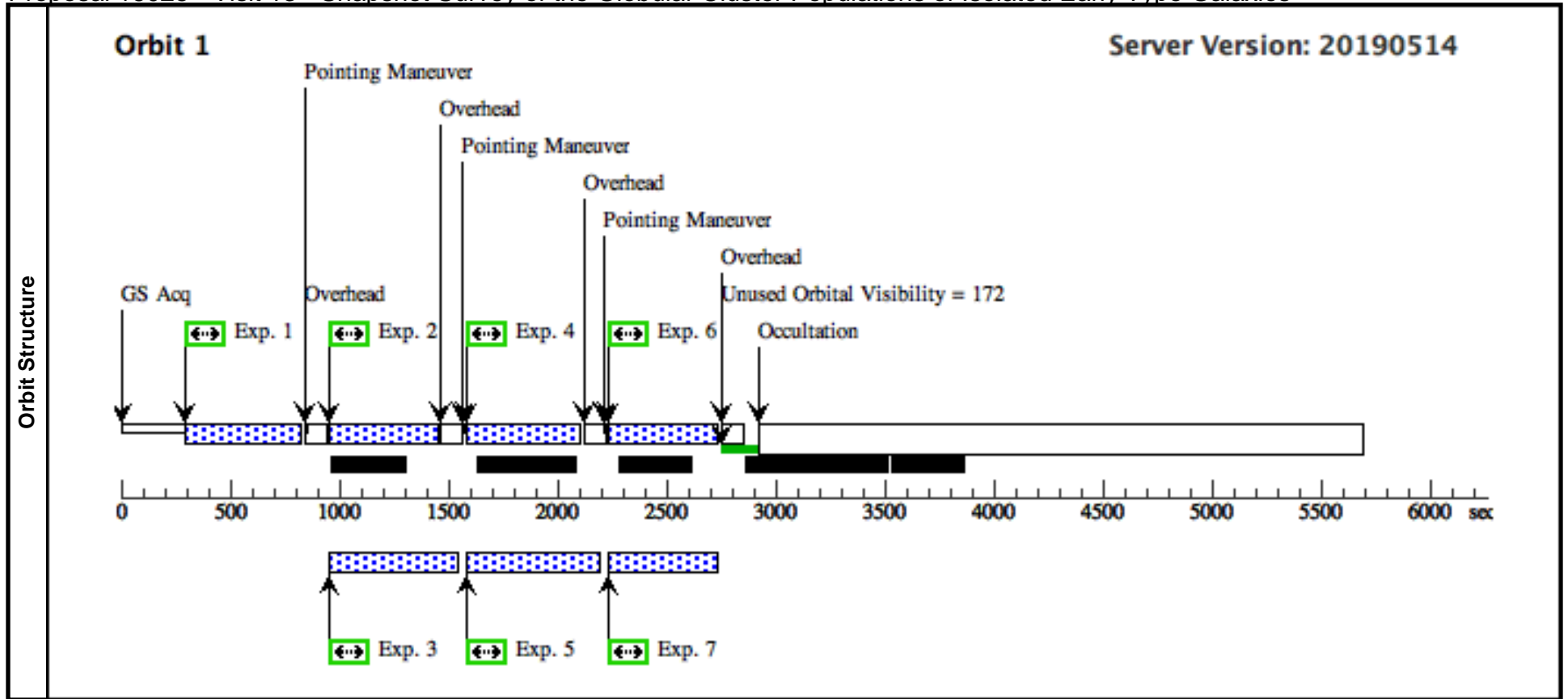
Visit	Proposal 16025, Visit 11, implementation Diagnostic Status: No Diagnostics Scientific Instruments: WFC3/UVIS, ACS/WFC Special Requirements: SCHED 100% Comments: <i>SNAPSHOT</i>									
	Fixed Targets	#	Name	Target Coordinates	Targ. Coord. Corrections	Fluxes	Miscellaneous			
	(11)	SDSS-J125726.46-032927.2	RA: 12 57 26.4781 (194.3603254d) Dec: -03 29 27.22 (-3.49089d) Equinox: J2000		V=13.83 g-i = 1.17	Reference Frame: SDSS				
	Comments: Category=GALAXY Description=[ELLIPTICAL, LENTICULAR] Extended=YES									
Exposures	#	Label	Target	Config,Mode,Aperture	Spectral Els.	Opt. Params.	Special Reqs.	Groups	Exp. Time (Total)/[Actual Dur.]	Orbit
	1		(11) SDSS-J125726.46-032927.2	WFC3/UVIS, ACCUM, UVIS2-FIX	F600LP		POS TARG 0.0,25.0		500 Secs (500 Secs)	
									[==>]	[1]
	2		(11) SDSS-J125726.46-032927.2	WFC3/UVIS, ACCUM, UVIS2-FIX	F600LP		POS TARG 0.099,25.165	Prime + Parallel Group 2-3 in Visit 11	500 Secs (500 Secs)	
									[==>]	[1]
	3		ANY	ACS/WFC, ACCUM, WFC1A-2K	F475W			Prime + Parallel Group 2-3 in Visit 11	385 Secs (385 Secs)	
									[==>]	[1]
	4		(11) SDSS-J125726.46-032927.2	WFC3/UVIS, ACCUM, UVIS2-FIX	F350LP		POS TARG 0.158,25.070	Prime + Parallel Group 4-5 in Visit 11	500 Secs (500 Secs)	
								[==>]	[1]	
5		ANY	ACS/WFC, ACCUM, WFC	F814W			Prime + Parallel Group 4-5 in Visit 11	450 Secs (450 Secs)		
								[==>]	[1]	
6		(11) SDSS-J125726.46-032927.2	WFC3/UVIS, ACCUM, UVIS2-FIX	F350LP		POS TARG -0.060,25.095	Prime + Parallel Group 6-7 in Visit 11	500 Secs (500 Secs)		
								[==>]	[1]	
7		ANY	ACS/WFC, ACCUM, WFC	F475W			Prime + Parallel Group 6-7 in Visit 11	340 Secs (340 Secs)		
								[==>]	[1]	



Proposal 16025 - Visit 13 - Snapshot Survey of the Globular Cluster Populations of Isolated Early Type Galaxies

Thu Oct 03 22:01:13 GMT 2019

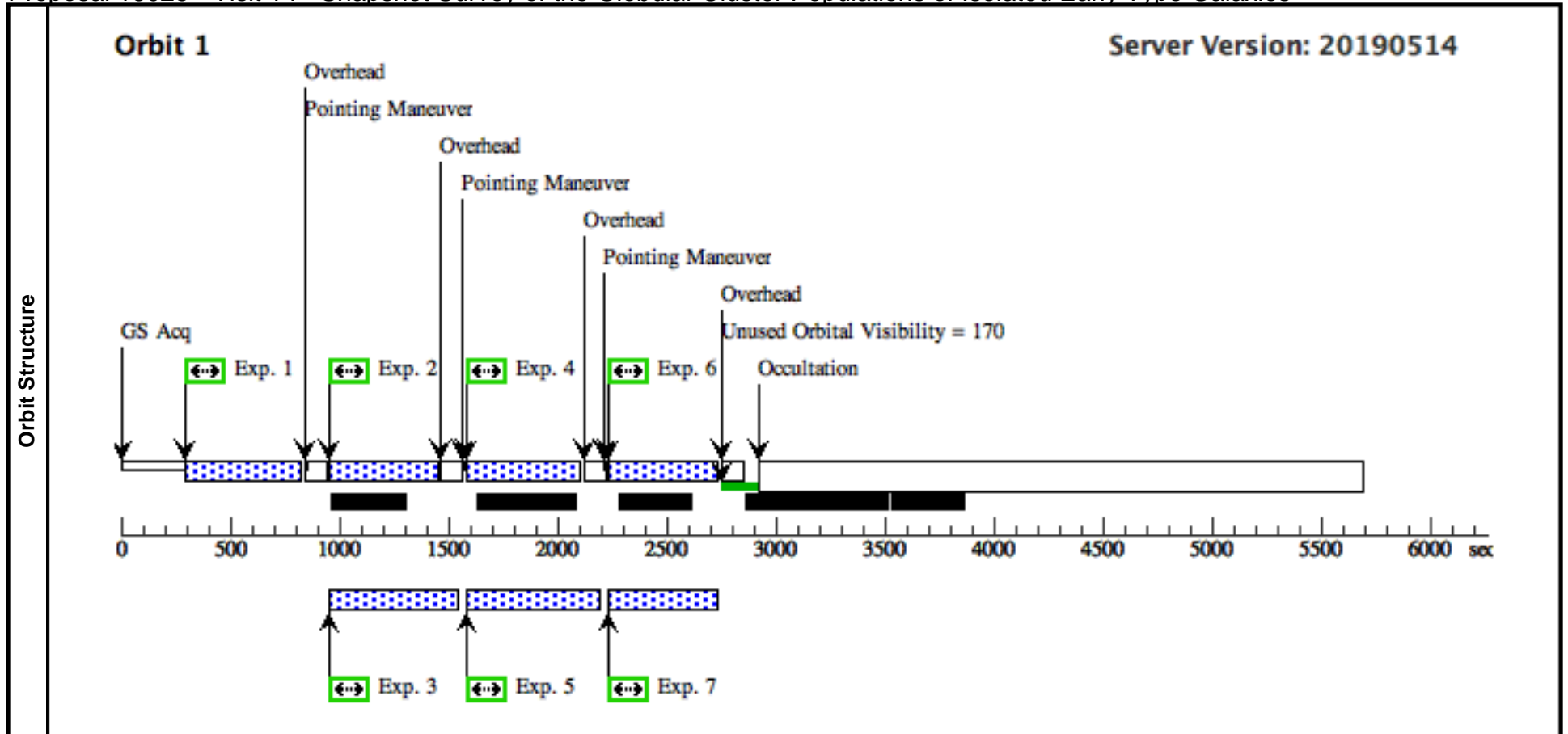
Visit	Proposal 16025, Visit 13, implementation Diagnostic Status: No Diagnostics Scientific Instruments: WFC3/UVIS, ACS/WFC Special Requirements: SCHED 100% Comments: <i>SNAPSHOT</i>									
	Fixed Targets	#	Name	Target Coordinates	Targ. Coord. Corrections	Fluxes	Miscellaneous			
	(13)	SDSS-J105118.02+443418.4	RA: 10 51 18.0321 (162.8251337d) Dec: +44 34 18.47 (44.57180d) Equinox: J2000		V=13.34 g-i = 0.83	Reference Frame: SDSS				
	Comments: Category= <i>GALAXY</i> Description= <i>[ELLIPTICAL, LENTICULAR]</i> Extended= <i>YES</i>									
Exposures	#	Label	Target	Config,Mode,Aperture	Spectral Els.	Opt. Params.	Special Reqs.	Groups	Exp. Time (Total)/[Actual Dur.]	Orbit
	1		(13) SDSS-J105118.02+443418.4	WFC3/UVIS, ACCUM, UVIS2-FIX	F600LP		POS TARG 0.0,20.0		500 Secs (500 Secs)	
									[==>]	[1]
	2		(13) SDSS-J105118.02+443418.4	WFC3/UVIS, ACCUM, UVIS2-FIX	F600LP		POS TARG 0.099,20.165	Prime + Parallel Group 2-3 in Visit 13	500 Secs (500 Secs)	
									[==>]	[1]
	3		ANY	ACS/WFC, ACCUM, WFC1A-2K	F475W			Prime + Parallel Group 2-3 in Visit 13	385 Secs (385 Secs)	
									[==>]	[1]
	4		(13) SDSS-J105118.02+443418.4	WFC3/UVIS, ACCUM, UVIS2-FIX	F350LP		POS TARG 0.158,20.070	Prime + Parallel Group 4-5 in Visit 13	500 Secs (500 Secs)	
								[==>]	[1]	
5		ANY	ACS/WFC, ACCUM, WFC	F814W			Prime + Parallel Group 4-5 in Visit 13	450 Secs (450 Secs)		
								[==>]	[1]	
6		(13) SDSS-J105118.02+443418.4	WFC3/UVIS, ACCUM, UVIS2-FIX	F350LP		POS TARG -0.060,20.095	Prime + Parallel Group 6-7 in Visit 13	500 Secs (500 Secs)		
								[==>]	[1]	
7		ANY	ACS/WFC, ACCUM, WFC	F475W			Prime + Parallel Group 6-7 in Visit 13	340 Secs (340 Secs)		
								[==>]	[1]	



Proposal 16025 - Visit 14 - Snapshot Survey of the Globular Cluster Populations of Isolated Early Type Galaxies

Thu Oct 03 22:01:13 GMT 2019

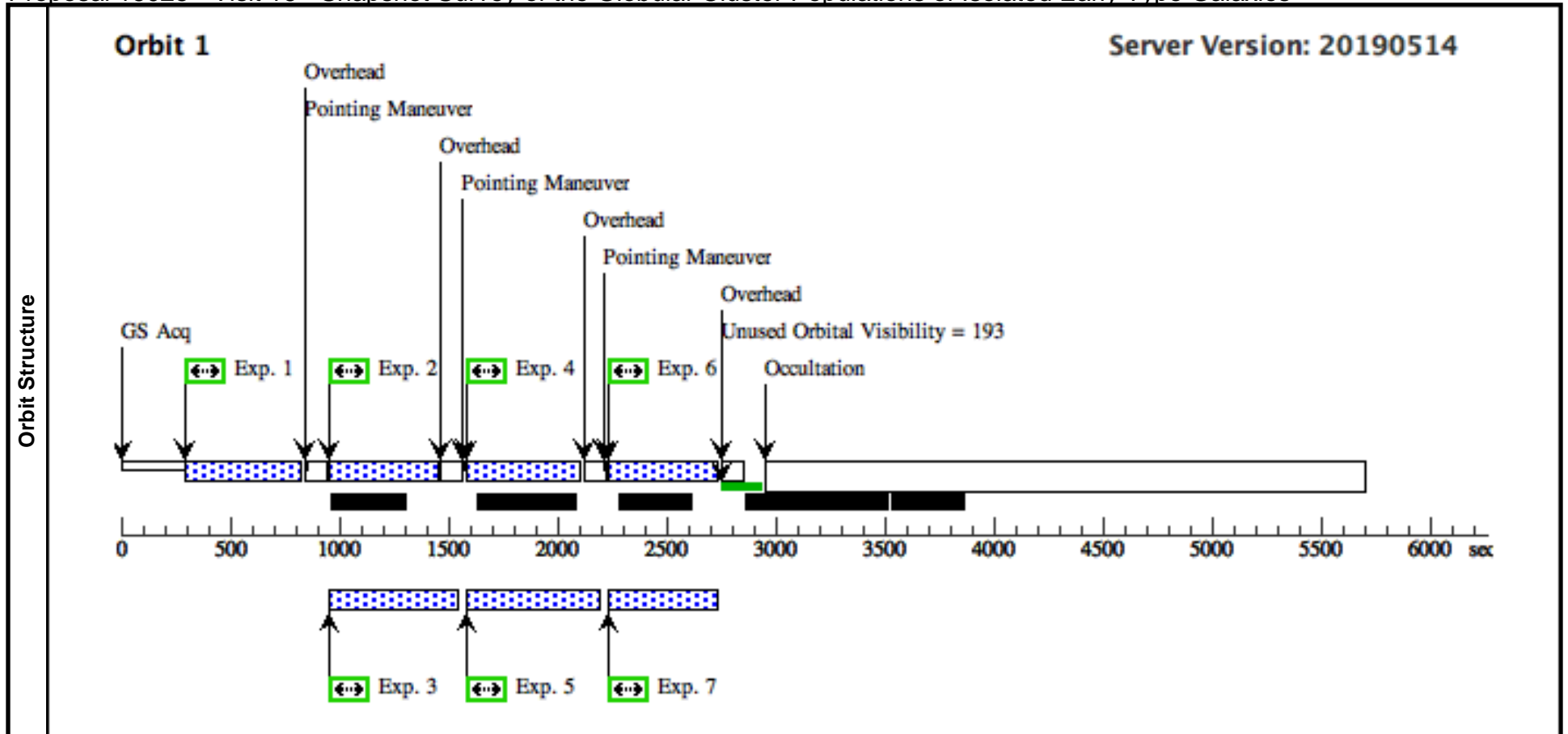
Visit	Proposal 16025, Visit 14, implementation Diagnostic Status: No Diagnostics Scientific Instruments: WFC3/UVIS, ACS/WFC Special Requirements: SCHED 100% Comments: <i>SNAPSHOT</i>									
	Fixed Targets	#	Name	Target Coordinates	Targ. Coord. Corrections	Fluxes	Miscellaneous			
	(14)	SDSS-J113411.67+123044.3	RA: 11 34 11.6746 (173.5486442d) Dec: +12 30 44.31 (12.51231d) Equinox: J2000		V=13.90 g-i = 1.22	Reference Frame: SDSS				
	Comments: Category=GALAXY Description=[ELLIPTICAL, LENTICULAR] Extended=YES									
Exposures	#	Label	Target	Config,Mode,Aperture	Spectral Els.	Opt. Params.	Special Reqs.	Groups	Exp. Time (Total)/[Actual Dur.]	Orbit
	1		(14) SDSS-J113411.67+123044.3	WFC3/UVIS, ACCUM, UVIS2-FIX	F600LP		POS TARG 0.0,20.0		500 Secs (500 Secs)	
									[==>]	[1]
	2		(14) SDSS-J113411.67+123044.3	WFC3/UVIS, ACCUM, UVIS2-FIX	F600LP		POS TARG 0.099,20.165	Prime + Parallel Group 2-3 in Visit 14	500 Secs (500 Secs)	
									[==>]	[1]
	3		ANY	ACS/WFC, ACCUM, WFC1A-2K	F475W			Prime + Parallel Group 2-3 in Visit 14	385 Secs (385 Secs)	
									[==>]	[1]
	4		(14) SDSS-J113411.67+123044.3	WFC3/UVIS, ACCUM, UVIS2-FIX	F350LP		POS TARG 0.158,20.070	Prime + Parallel Group 4-5 in Visit 14	500 Secs (500 Secs)	
								[==>]	[1]	
5		ANY	ACS/WFC, ACCUM, WFC	F814W			Prime + Parallel Group 4-5 in Visit 14	450 Secs (450 Secs)		
								[==>]	[1]	
6		(14) SDSS-J113411.67+123044.3	WFC3/UVIS, ACCUM, UVIS2-FIX	F350LP		POS TARG -0.060,20.095	Prime + Parallel Group 6-7 in Visit 14	500 Secs (500 Secs)		
								[==>]	[1]	
7		ANY	ACS/WFC, ACCUM, WFC	F475W			Prime + Parallel Group 6-7 in Visit 14	340 Secs (340 Secs)		
								[==>]	[1]	



Proposal 16025 - Visit 16 - Snapshot Survey of the Globular Cluster Populations of Isolated Early Type Galaxies

Thu Oct 03 22:01:13 GMT 2019

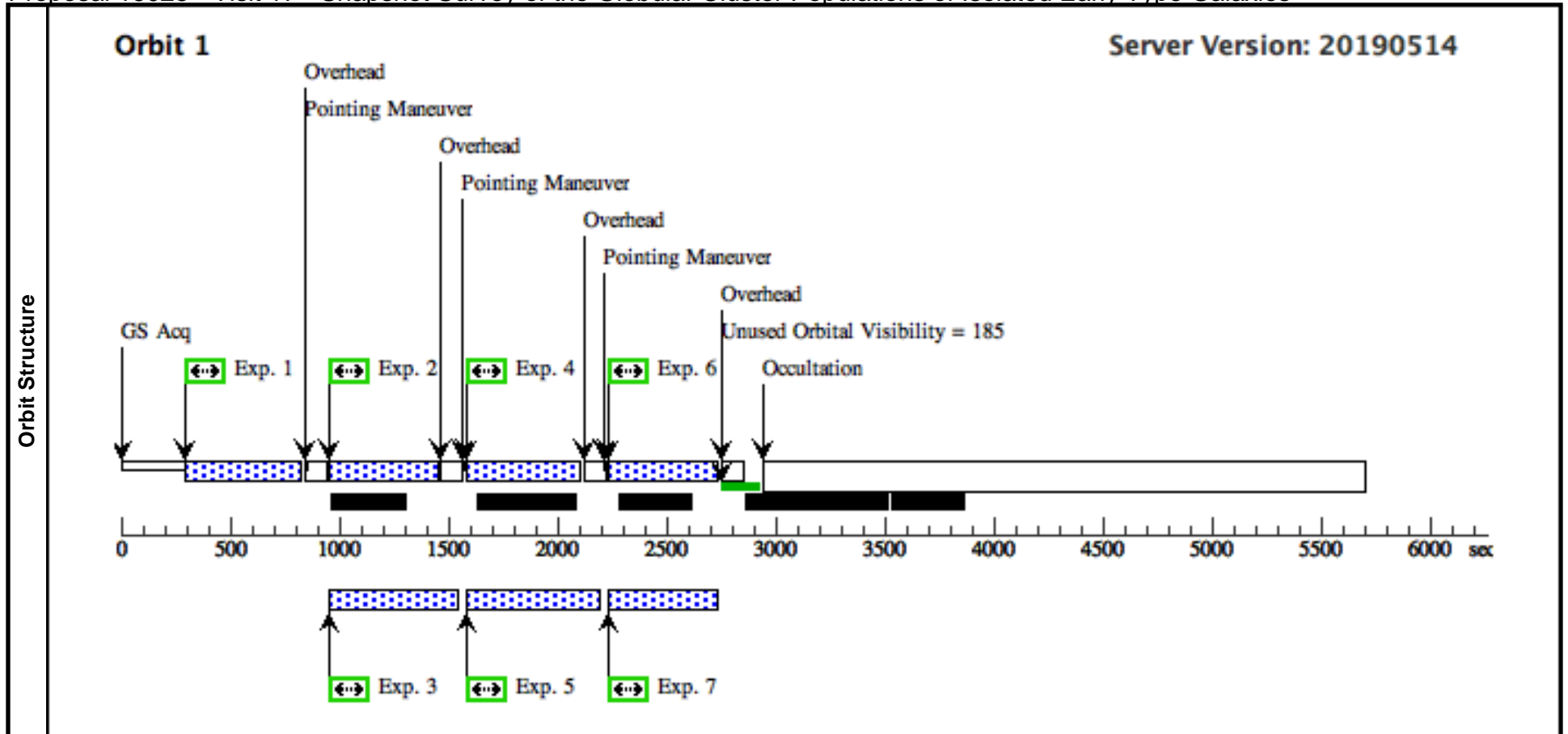
Visit	Proposal 16025, Visit 16, implementation Diagnostic Status: No Diagnostics Scientific Instruments: WFC3/UVIS, ACS/WFC Special Requirements: SCHED 100% Comments: <i>SNAPSHOT</i>									
	Fixed Targets	#	Name	Target Coordinates	Targ. Coord. Corrections	Fluxes	Miscellaneous			
	(16)	SDSS-J081254.15+554019.4	RA: 08 12 54.1539 (123.2256412d) Dec: +55 40 19.44 (55.67207d) Equinox: J2000		V=16.07 g-i = 1.38	Reference Frame: SDSS				
	Comments: Category= <i>GALAXY</i> Description= <i>[ELLIPTICAL, LENTICULAR]</i> Extended= <i>YES</i>									
Exposures	#	Label	Target	Config,Mode,Aperture	Spectral Els.	Opt. Params.	Special Reqs.	Groups	Exp. Time (Total)/[Actual Dur.]	Orbit
	1		(16) SDSS-J081254.15+554019.4	WFC3/UVIS, ACCUM, UVIS2-FIX	F600LP		POS TARG 0.0,20.0		500 Secs (500 Secs)	
									[==>]	[1]
	2		(16) SDSS-J081254.15+554019.4	WFC3/UVIS, ACCUM, UVIS2-FIX	F600LP		POS TARG 0.099,20.165	Prime + Parallel Group 2-3 in Visit 16	500 Secs (500 Secs)	
									[==>]	[1]
	3		ANY	ACS/WFC, ACCUM, WFC1A-2K	F475W			Prime + Parallel Group 2-3 in Visit 16	385 Secs (385 Secs)	
									[==>]	[1]
	4		(16) SDSS-J081254.15+554019.4	WFC3/UVIS, ACCUM, UVIS2-FIX	F350LP		POS TARG 0.158,20.070	Prime + Parallel Group 4-5 in Visit 16	500 Secs (500 Secs)	
								[==>]	[1]	
5		ANY	ACS/WFC, ACCUM, WFC	F814W			Prime + Parallel Group 4-5 in Visit 16	450 Secs (450 Secs)		
								[==>]	[1]	
6		(16) SDSS-J081254.15+554019.4	WFC3/UVIS, ACCUM, UVIS2-FIX	F350LP		POS TARG -0.060,20.095	Prime + Parallel Group 6-7 in Visit 16	500 Secs (500 Secs)		
								[==>]	[1]	
7		ANY	ACS/WFC, ACCUM, WFC	F475W			Prime + Parallel Group 6-7 in Visit 16	340 Secs (340 Secs)		
								[==>]	[1]	



Proposal 16025 - Visit 17 - Snapshot Survey of the Globular Cluster Populations of Isolated Early Type Galaxies

Thu Oct 03 22:01:13 GMT 2019

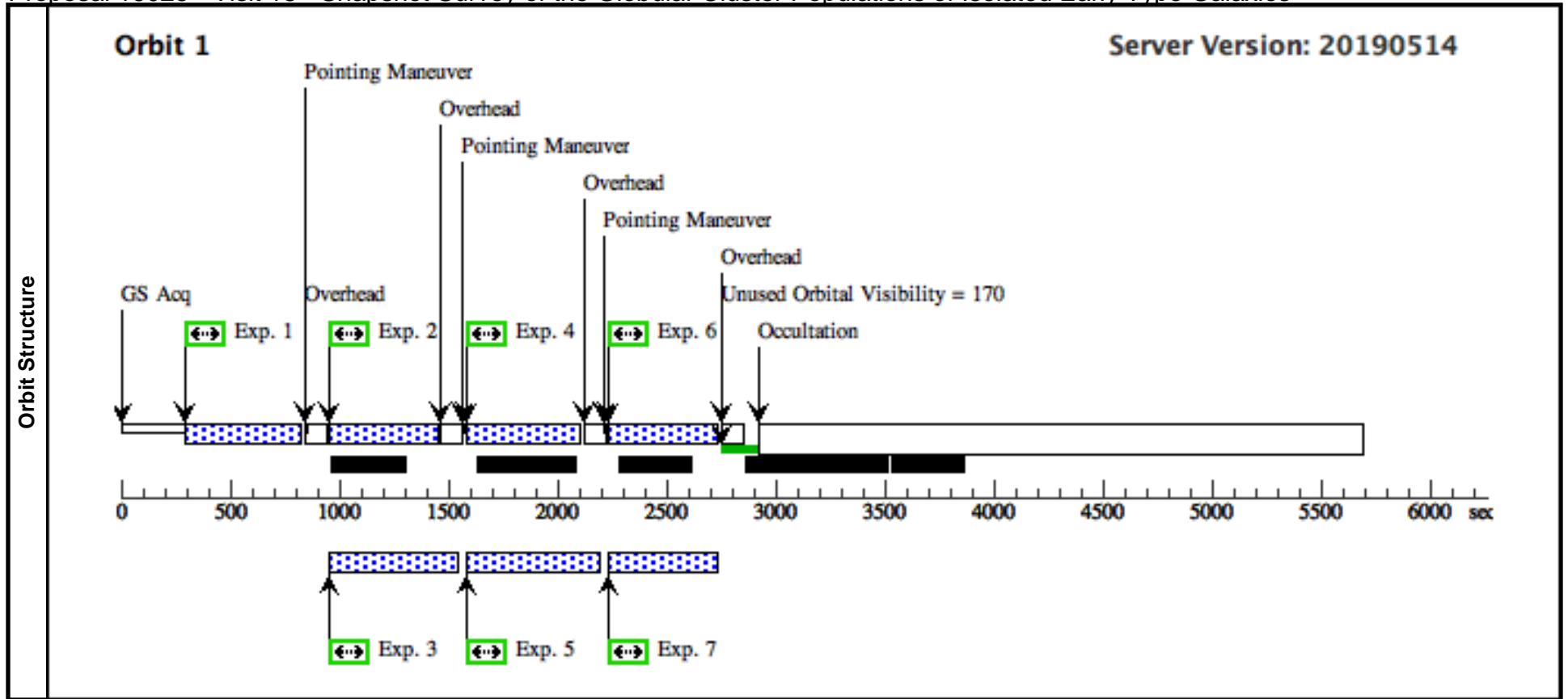
Visit	Proposal 16025, Visit 17, implementation Diagnostic Status: No Diagnostics Scientific Instruments: WFC3/UVIS, ACS/WFC Special Requirements: SCHED 100% Comments: <i>SNAPSHOT</i>									
	Fixed Targets	#	Name	Target Coordinates	Targ. Coord. Corrections	Fluxes	Miscellaneous			
	(17)	SDSS-J115858.99+541420.5	RA: 11 58 58.9952 (179.7458133d) Dec: +54 14 20.56 (54.23904d) Equinox: J2000		V=14.11 g-i = 0.99	Reference Frame: SDSS				
	Comments: Category= <i>GALAXY</i> Description= <i>[ELLIPTICAL, LENTICULAR]</i> Extended= <i>YES</i>									
Exposures	#	Label	Target	Config,Mode,Aperture	Spectral Els.	Opt. Params.	Special Reqs.	Groups	Exp. Time (Total)/[Actual Dur.]	Orbit
	1		(17) SDSS-J115858.99+541420.5	WFC3/UVIS, ACCUM, UVIS2-FIX	F600LP		POS TARG 0.0,15.0		500 Secs (500 Secs)	
									[==>]	[1]
	2		(17) SDSS-J115858.99+541420.5	WFC3/UVIS, ACCUM, UVIS2-FIX	F600LP		POS TARG 0.099,15.165	Prime + Parallel Group 2-3 in Visit 17	500 Secs (500 Secs)	
									[==>]	[1]
	3		ANY	ACS/WFC, ACCUM, WFC1A-2K	F475W			Prime + Parallel Group 2-3 in Visit 17	385 Secs (385 Secs)	
									[==>]	[1]
	4		(17) SDSS-J115858.99+541420.5	WFC3/UVIS, ACCUM, UVIS2-FIX	F350LP		POS TARG 0.158,15.070	Prime + Parallel Group 4-5 in Visit 17	500 Secs (500 Secs)	
								[==>]	[1]	
5		ANY	ACS/WFC, ACCUM, WFC	F814W			Prime + Parallel Group 4-5 in Visit 17	450 Secs (450 Secs)		
								[==>]	[1]	
6		(17) SDSS-J115858.99+541420.5	WFC3/UVIS, ACCUM, UVIS2-FIX	F350LP		POS TARG -0.060,15.095	Prime + Parallel Group 6-7 in Visit 17	500 Secs (500 Secs)		
								[==>]	[1]	
7		ANY	ACS/WFC, ACCUM, WFC	F475W			Prime + Parallel Group 6-7 in Visit 17	340 Secs (340 Secs)		
								[==>]	[1]	



Proposal 16025 - Visit 18 - Snapshot Survey of the Globular Cluster Populations of Isolated Early Type Galaxies

Thu Oct 03 22:01:13 GMT 2019

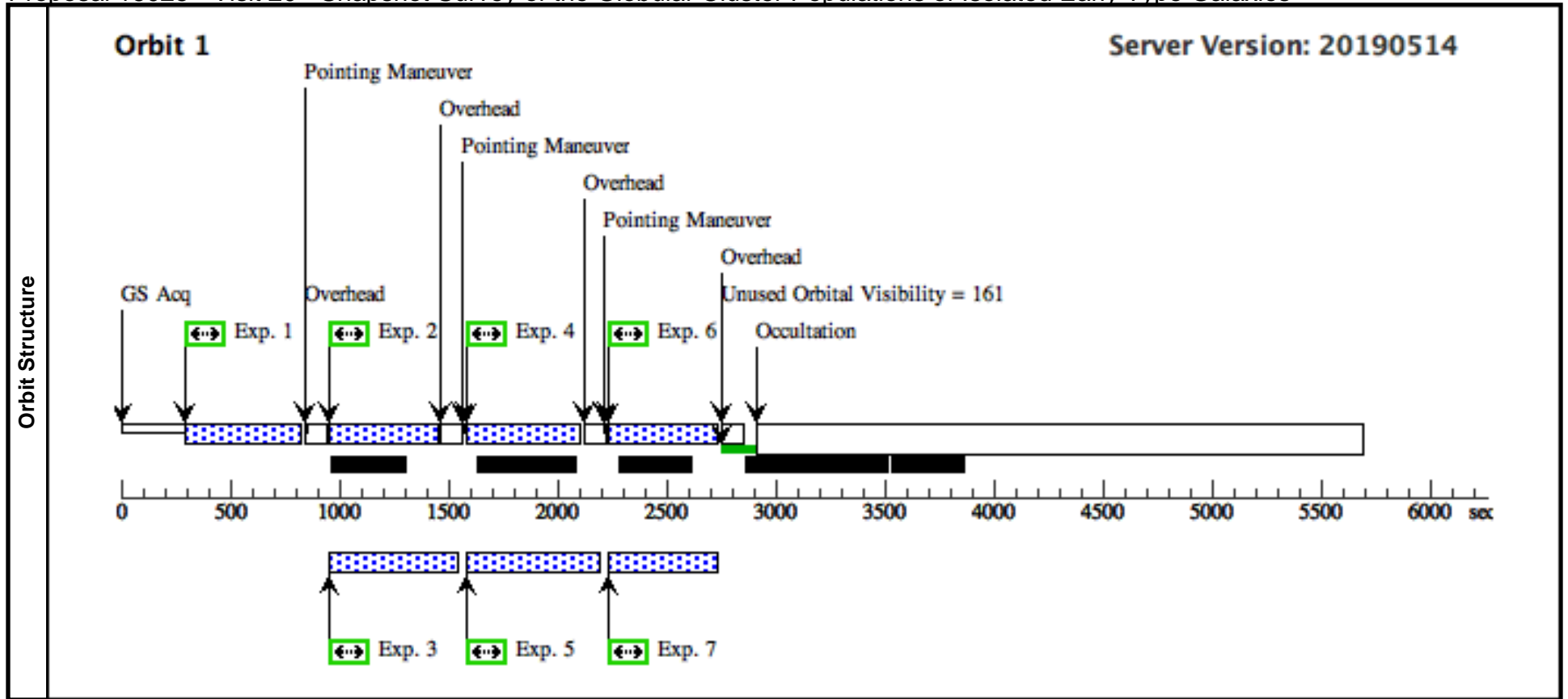
Visit	Proposal 16025, Visit 18, implementation Diagnostic Status: No Diagnostics Scientific Instruments: WFC3/UVIS, ACS/WFC Special Requirements: SCHED 100% Comments: <i>SNAPSHOT</i>									
	Fixed Targets	#	Name	Target Coordinates	Targ. Coord. Corrections	Fluxes	Miscellaneous			
	(18)	SDSS- J132006.92+143235.7	RA: 13 20 6.9250 (200.0288542d) Dec: +14 32 35.73 (14.54326d) Equinox: J2000		V=15.28 g-i = 1.03	Reference Frame: SDSS				
	Comments: Category= <i>GALAXY</i> Description= <i>[ELLIPTICAL, LENTICULAR]</i> Extended= <i>YES</i>									
Exposures	#	Label	Target	Config,Mode,Aperture	Spectral Els.	Opt. Params.	Special Reqs.	Groups	Exp. Time (Total)/[Actual Dur.]	Orbit
	1		(18) SDSS-J132006.92+143235.7	WFC3/UVIS, ACCUM, UVIS2-FIX	F600LP		POS TARG 0.0,20.0		500 Secs (500 Secs)	
									[==>]	[1]
	2		(18) SDSS-J132006.92+143235.7	WFC3/UVIS, ACCUM, UVIS2-FIX	F600LP		POS TARG 0.099,20.165	Prime + Parallel Group 2-3 in Visit 18	500 Secs (500 Secs)	
									[==>]	[1]
	3		ANY	ACS/WFC, ACCUM, WFC1A-2K	F475W			Prime + Parallel Group 2-3 in Visit 18	385 Secs (385 Secs)	
									[==>]	[1]
	4		(18) SDSS-J132006.92+143235.7	WFC3/UVIS, ACCUM, UVIS2-FIX	F350LP		POS TARG 0.158,20.070	Prime + Parallel Group 4-5 in Visit 18	500 Secs (500 Secs)	
								[==>]	[1]	
5		ANY	ACS/WFC, ACCUM, WFC	F814W			Prime + Parallel Group 4-5 in Visit 18	450 Secs (450 Secs)		
								[==>]	[1]	
6		(18) SDSS-J132006.92+143235.7	WFC3/UVIS, ACCUM, UVIS2-FIX	F350LP		POS TARG -0.060,20.095	Prime + Parallel Group 6-7 in Visit 18	500 Secs (500 Secs)		
								[==>]	[1]	
7		ANY	ACS/WFC, ACCUM, WFC	F475W			Prime + Parallel Group 6-7 in Visit 18	340 Secs (340 Secs)		
								[==>]	[1]	



Proposal 16025 - Visit 20 - Snapshot Survey of the Globular Cluster Populations of Isolated Early Type Galaxies

Thu Oct 03 22:01:13 GMT 2019

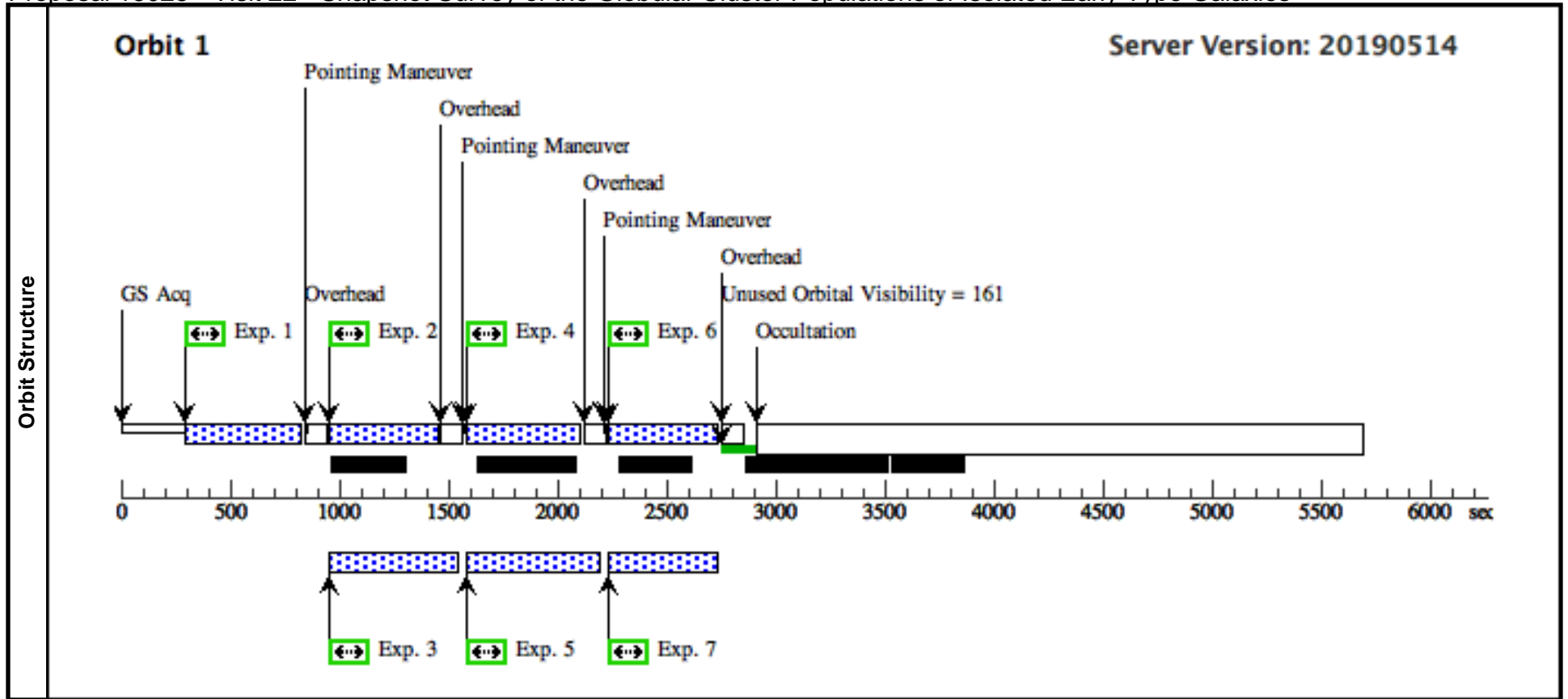
Visit	Proposal 16025, Visit 20, implementation Diagnostic Status: No Diagnostics Scientific Instruments: WFC3/UVIS, ACS/WFC Special Requirements: SCHED 100% Comments: <i>SNAPSHOT</i>									
	Fixed Targets	#	Name	Target Coordinates	Targ. Coord. Corrections	Fluxes	Miscellaneous			
	(20)	SDSS-J090128.61+034314.1	RA: 09 01 28.6125 (135.3692187d) Dec: +03 43 14.11 (3.72059d) Equinox: J2000		V=14.10 g-i = 1.32	Reference Frame: SDSS				
	Comments: Category= <i>GALAXY</i> Description= <i>[ELLIPTICAL, LENTICULAR]</i> Extended= <i>YES</i>									
Exposures	#	Label	Target	Config,Mode,Aperture	Spectral Els.	Opt. Params.	Special Reqs.	Groups	Exp. Time (Total)/[Actual Dur.]	Orbit
	1		(20) SDSS-J090128.61+034314.1	WFC3/UVIS, ACCUM, UVIS2-FIX	F600LP		POS TARG 0.0,30.0		500 Secs (500 Secs)	
									[==>]	[1]
	2		(20) SDSS-J090128.61+034314.1	WFC3/UVIS, ACCUM, UVIS2-FIX	F600LP		POS TARG 0.099,30.165	Prime + Parallel Group 2-3 in Visit 20	500 Secs (500 Secs)	
									[==>]	[1]
	3		ANY	ACS/WFC, ACCUM, WFC1A-2K	F475W			Prime + Parallel Group 2-3 in Visit 20	385 Secs (385 Secs)	
									[==>]	[1]
	4		(20) SDSS-J090128.61+034314.1	WFC3/UVIS, ACCUM, UVIS2-FIX	F350LP		POS TARG 0.158,30.070	Prime + Parallel Group 4-5 in Visit 20	500 Secs (500 Secs)	
								[==>]	[1]	
5		ANY	ACS/WFC, ACCUM, WFC	F814W			Prime + Parallel Group 4-5 in Visit 20	450 Secs (450 Secs)		
								[==>]	[1]	
6		(20) SDSS-J090128.61+034314.1	WFC3/UVIS, ACCUM, UVIS2-FIX	F350LP		POS TARG -0.060,30.095	Prime + Parallel Group 6-7 in Visit 20	500 Secs (500 Secs)		
								[==>]	[1]	
7		ANY	ACS/WFC, ACCUM, WFC	F475W			Prime + Parallel Group 6-7 in Visit 20	340 Secs (340 Secs)		
								[==>]	[1]	



Proposal 16025 - Visit 22 - Snapshot Survey of the Globular Cluster Populations of Isolated Early Type Galaxies

Thu Oct 03 22:01:13 GMT 2019

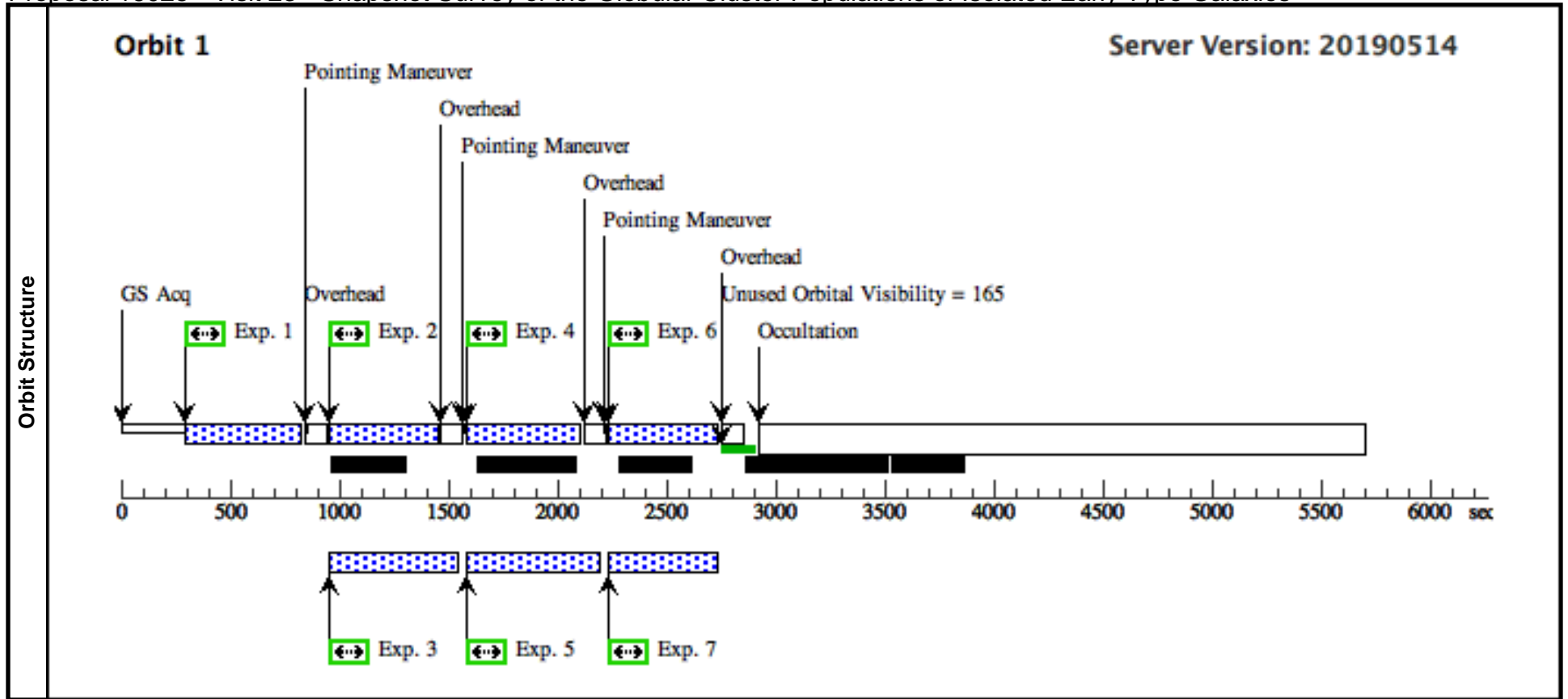
Visit	Proposal 16025, Visit 22, implementation Diagnostic Status: No Diagnostics Scientific Instruments: WFC3/UVIS, ACS/WFC Special Requirements: SCHED 100% Comments: <i>SNAPSHOT</i>									
	Fixed Targets	#	Name	Target Coordinates	Targ. Coord. Corrections	Fluxes	Miscellaneous			
	(22)	SDSS-J100045.20+044403.5	RA: 10 00 45.2068 (150.1883617d) Dec: +04 44 3.58 (4.73433d) Equinox: J2000		V=14.47 g-i = 1.25	Reference Frame: SDSS				
	Comments: Category=GALAXY Description=[ELLIPTICAL, LENTICULAR] Extended=YES									
Exposures	#	Label	Target	Config,Mode,Aperture	Spectral Els.	Opt. Params.	Special Reqs.	Groups	Exp. Time (Total)/[Actual Dur.]	Orbit
	1		(22) SDSS-J100045.20+044403.5	WFC3/UVIS, ACCUM, UVIS2-FIX	F600LP		POS TARG 0.0,30.0		500 Secs (500 Secs)	
									[==>]	[1]
	2		(22) SDSS-J100045.20+044403.5	WFC3/UVIS, ACCUM, UVIS2-FIX	F600LP		POS TARG 0.099,30.165	Prime + Parallel Group 2-3 in Visit 22	500 Secs (500 Secs)	
									[==>]	[1]
	3		ANY	ACS/WFC, ACCUM, WFC1A-2K	F475W			Prime + Parallel Group 2-3 in Visit 22	385 Secs (385 Secs)	
									[==>]	[1]
	4		(22) SDSS-J100045.20+044403.5	WFC3/UVIS, ACCUM, UVIS2-FIX	F350LP		POS TARG 0.158,30.070	Prime + Parallel Group 4-5 in Visit 22	500 Secs (500 Secs)	
								[==>]	[1]	
5		ANY	ACS/WFC, ACCUM, WFC	F814W			Prime + Parallel Group 4-5 in Visit 22	450 Secs (450 Secs)		
								[==>]	[1]	
6		(22) SDSS-J100045.20+044403.5	WFC3/UVIS, ACCUM, UVIS2-FIX	F350LP		POS TARG -0.060,30.095	Prime + Parallel Group 6-7 in Visit 22	500 Secs (500 Secs)		
								[==>]	[1]	
7		ANY	ACS/WFC, ACCUM, WFC	F475W			Prime + Parallel Group 6-7 in Visit 22	340 Secs (340 Secs)		
								[==>]	[1]	



Proposal 16025 - Visit 23 - Snapshot Survey of the Globular Cluster Populations of Isolated Early Type Galaxies

Thu Oct 03 22:01:13 GMT 2019

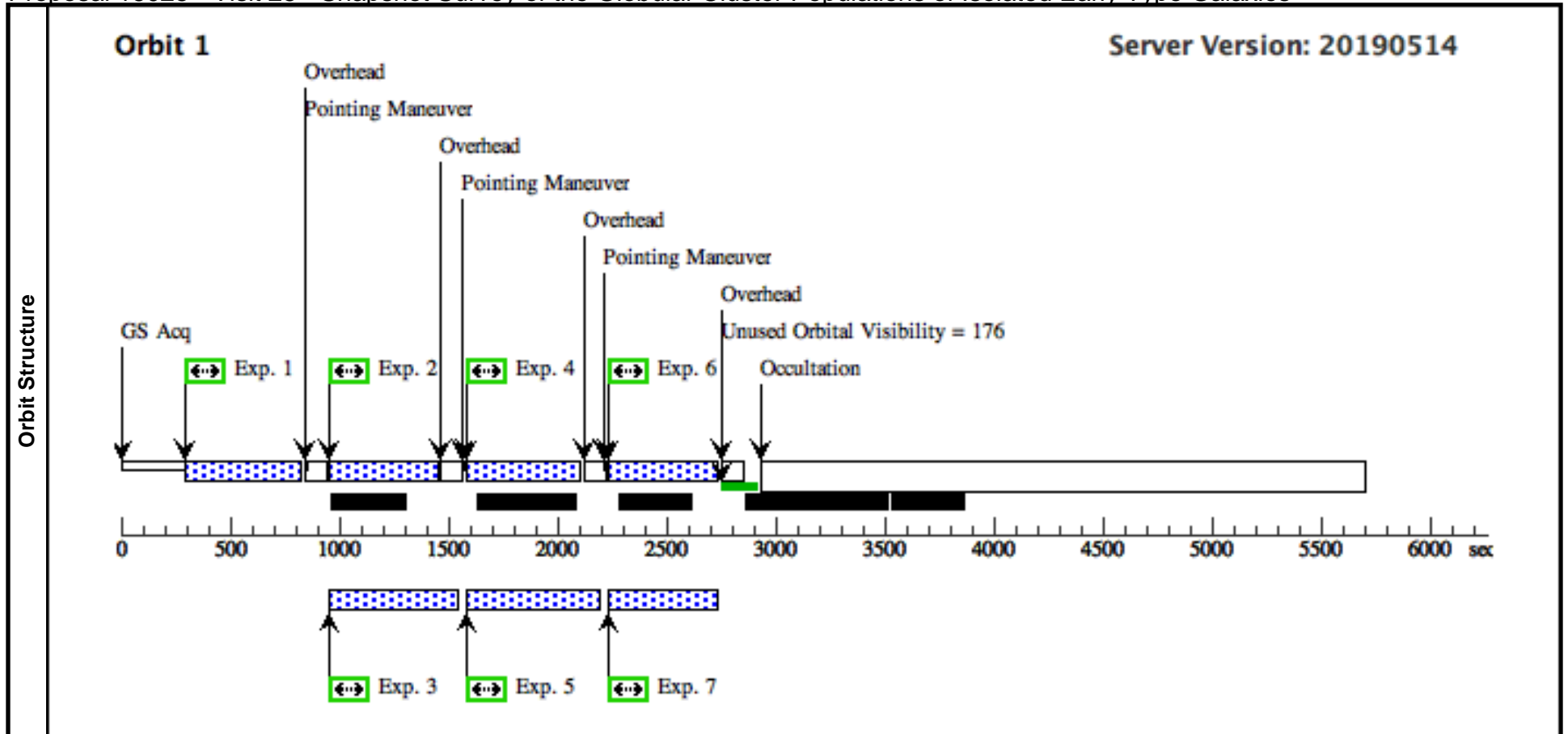
Visit	Proposal 16025, Visit 23, implementation Diagnostic Status: No Diagnostics Scientific Instruments: WFC3/UVIS, ACS/WFC Special Requirements: SCHED 100% Comments: <i>SNAPSHOT</i>									
	Fixed Targets	#	Name	Target Coordinates	Targ. Coord. Corrections	Fluxes	Miscellaneous			
	(23)	SDSS-J082203.60+084509.3	RA: 08 22 3.6081 (125.5150338d) Dec: +08 45 9.38 (8.75261d) Equinox: J2000		V=14.97 g-i = 1.17	Reference Frame: SDSS				
	Comments: Category= <i>GALAXY</i> Description= <i>[ELLIPTICAL, LENTICULAR]</i> Extended= <i>YES</i>									
Exposures	#	Label	Target	Config,Mode,Aperture	Spectral Els.	Opt. Params.	Special Reqs.	Groups	Exp. Time (Total)/[Actual Dur.]	Orbit
	1		(23) SDSS-J082203.60+084509.3	WFC3/UVIS, ACCUM, UVIS2-FIX	F600LP		POS TARG 0.0,10.0		500 Secs (500 Secs)	
									[==>]	[1]
	2		(23) SDSS-J082203.60+084509.3	WFC3/UVIS, ACCUM, UVIS2-FIX	F600LP		POS TARG 0.099,10.165	Prime + Parallel Group 2-3 in Visit 23	500 Secs (500 Secs)	
									[==>]	[1]
	3		ANY	ACS/WFC, ACCUM, WFC1A-2K	F475W			Prime + Parallel Group 2-3 in Visit 23	385 Secs (385 Secs)	
									[==>]	[1]
	4		(23) SDSS-J082203.60+084509.3	WFC3/UVIS, ACCUM, UVIS2-FIX	F350LP		POS TARG 0.158,10.070	Prime + Parallel Group 4-5 in Visit 23	500 Secs (500 Secs)	
								[==>]	[1]	
5		ANY	ACS/WFC, ACCUM, WFC	F814W			Prime + Parallel Group 4-5 in Visit 23	450 Secs (450 Secs)		
								[==>]	[1]	
6		(23) SDSS-J082203.60+084509.3	WFC3/UVIS, ACCUM, UVIS2-FIX	F350LP		POS TARG -0.060,10.095	Prime + Parallel Group 6-7 in Visit 23	500 Secs (500 Secs)		
								[==>]	[1]	
7		ANY	ACS/WFC, ACCUM, WFC	F475W			Prime + Parallel Group 6-7 in Visit 23	340 Secs (340 Secs)		
								[==>]	[1]	



Proposal 16025 - Visit 25 - Snapshot Survey of the Globular Cluster Populations of Isolated Early Type Galaxies

Thu Oct 03 22:01:13 GMT 2019

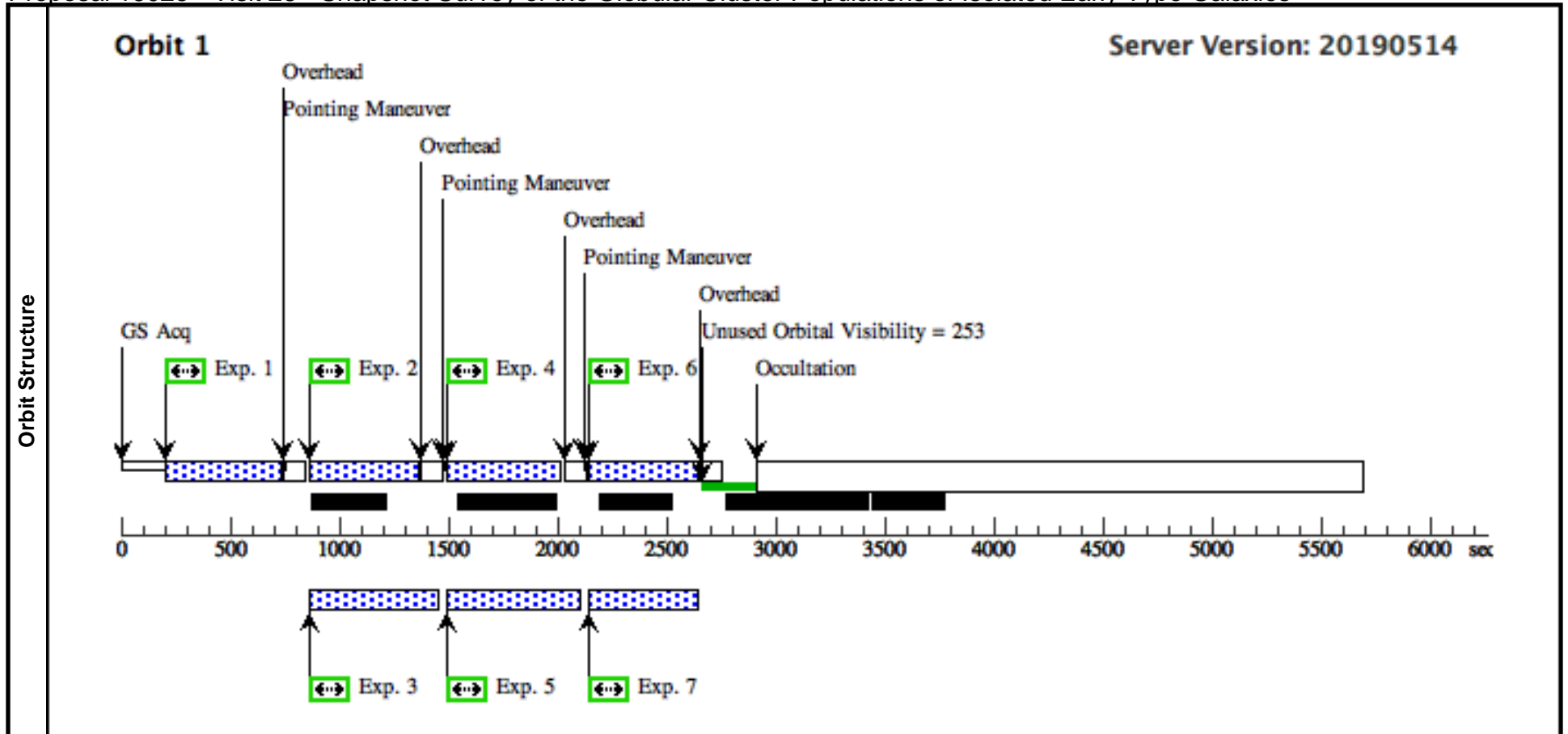
Visit	Proposal 16025, Visit 25, implementation Diagnostic Status: No Diagnostics Scientific Instruments: WFC3/UVIS, ACS/WFC Special Requirements: SCHED 100% Comments: <i>SNAPSHOT</i>									
	Fixed Targets	#	Name	Target Coordinates	Targ. Coord. Corrections	Fluxes	Miscellaneous			
	(25)	SDSS-J085204.62+470209.3	RA: 08 52 4.6262 (133.0192758d) Dec: +47 02 9.32 (47.03592d) Equinox: J2000		V=15.70 g-i = 1.15	Reference Frame: SDSS				
	Comments: Category= <i>GALAXY</i> Description= <i>[ELLIPTICAL, LENTICULAR]</i> Extended= <i>YES</i>									
Exposures	#	Label	Target	Config,Mode,Aperture	Spectral Els.	Opt. Params.	Special Reqs.	Groups	Exp. Time (Total)/[Actual Dur.]	Orbit
	1		(25) SDSS-J085204.62+470209.3	WFC3/UVIS, ACCUM, UVIS2-FIX	F600LP		POS TARG 0.0,10.0		500 Secs (500 Secs)	
									[==>]	[1]
	2		(25) SDSS-J085204.62+470209.3	WFC3/UVIS, ACCUM, UVIS2-FIX	F600LP		POS TARG 0.099,10.165	Prime + Parallel Group 2-3 in Visit 25	500 Secs (500 Secs)	
									[==>]	[1]
	3		ANY	ACS/WFC, ACCUM, WFC1A-2K	F475W			Prime + Parallel Group 2-3 in Visit 25	385 Secs (385 Secs)	
									[==>]	[1]
	4		(25) SDSS-J085204.62+470209.3	WFC3/UVIS, ACCUM, UVIS2-FIX	F350LP		POS TARG 0.158,10.070	Prime + Parallel Group 4-5 in Visit 25	500 Secs (500 Secs)	
								[==>]	[1]	
5		ANY	ACS/WFC, ACCUM, WFC	F814W			Prime + Parallel Group 4-5 in Visit 25	450 Secs (450 Secs)		
								[==>]	[1]	
6		(25) SDSS-J085204.62+470209.3	WFC3/UVIS, ACCUM, UVIS2-FIX	F350LP		POS TARG -0.060,10.095	Prime + Parallel Group 6-7 in Visit 25	500 Secs (500 Secs)		
								[==>]	[1]	
7		ANY	ACS/WFC, ACCUM, WFC	F475W			Prime + Parallel Group 6-7 in Visit 25	340 Secs (340 Secs)		
								[==>]	[1]	



Proposal 16025 - Visit 28 - Snapshot Survey of the Globular Cluster Populations of Isolated Early Type Galaxies

Thu Oct 03 22:01:13 GMT 2019

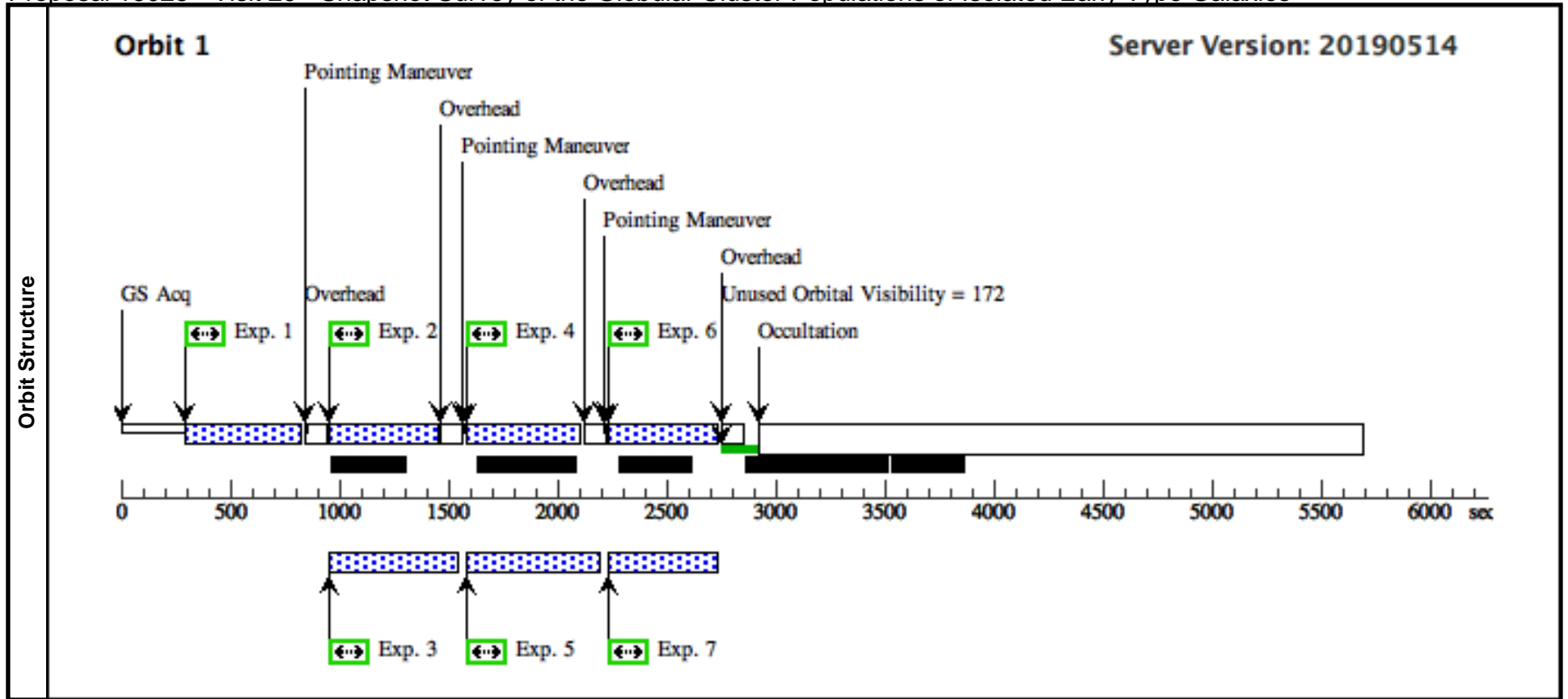
Visit	Proposal 16025, Visit 28, implementation Diagnostic Status: No Diagnostics Scientific Instruments: WFC3/UVIS, ACS/WFC Special Requirements: SCHED 100% Comments: <i>SNAPSHOT</i>									
	Fixed Targets	#	Name	Target Coordinates	Targ. Coord. Corrections	Fluxes	Miscellaneous			
	(28)	SDSS-J135845.61+025039.3	RA: 13 58 45.6156 (209.6900650d) Dec: +02 50 39.38 (2.84427d) Equinox: J2000		V=14.47 g-i = 1.23	Reference Frame: SDSS				
	Comments: Category= <i>GALAXY</i> Description= <i>[ELLIPTICAL, LENTICULAR]</i> Extended= <i>YES</i>									
Exposures	#	Label	Target	Config,Mode,Aperture	Spectral Els.	Opt. Params.	Special Reqs.	Groups	Exp. Time (Total)/[Actual Dur.]	Orbit
	1		(28) SDSS-J135845.61+025039.3	WFC3/UVIS, ACCUM, UVIS2-FIX	F600LP		POS TARG 0.0,20.0; GS ACQ SCENARI O SINGLE		500 Secs (500 Secs) [==>]	[1]
	2		(28) SDSS-J135845.61+025039.3	WFC3/UVIS, ACCUM, UVIS2-FIX	F600LP		POS TARG 0.099,20.165	Prime + Parallel Group 2-3 in Visit 28	500 Secs (500 Secs) [==>]	[1]
	3		ANY	ACS/WFC, ACCUM, WFC1A-2K	F475W			Prime + Parallel Group 2-3 in Visit 28	385 Secs (385 Secs) [==>]	[1]
	4		(28) SDSS-J135845.61+025039.3	WFC3/UVIS, ACCUM, UVIS2-FIX	F350LP		POS TARG 0.158,20.070	Prime + Parallel Group 4-5 in Visit 28	500 Secs (500 Secs) [==>]	[1]
	5		ANY	ACS/WFC, ACCUM, WFC	F814W			Prime + Parallel Group 4-5 in Visit 28	450 Secs (450 Secs) [==>]	[1]
	6		(28) SDSS-J135845.61+025039.3	WFC3/UVIS, ACCUM, UVIS2-FIX	F350LP		POS TARG -0.060,20.095	Prime + Parallel Group 6-7 in Visit 28	500 Secs (500 Secs) [==>]	[1]
	7		ANY	ACS/WFC, ACCUM, WFC	F475W			Prime + Parallel Group 6-7 in Visit 28	340 Secs (340 Secs) [==>]	[1]



Proposal 16025 - Visit 29 - Snapshot Survey of the Globular Cluster Populations of Isolated Early Type Galaxies

Thu Oct 03 22:01:14 GMT 2019

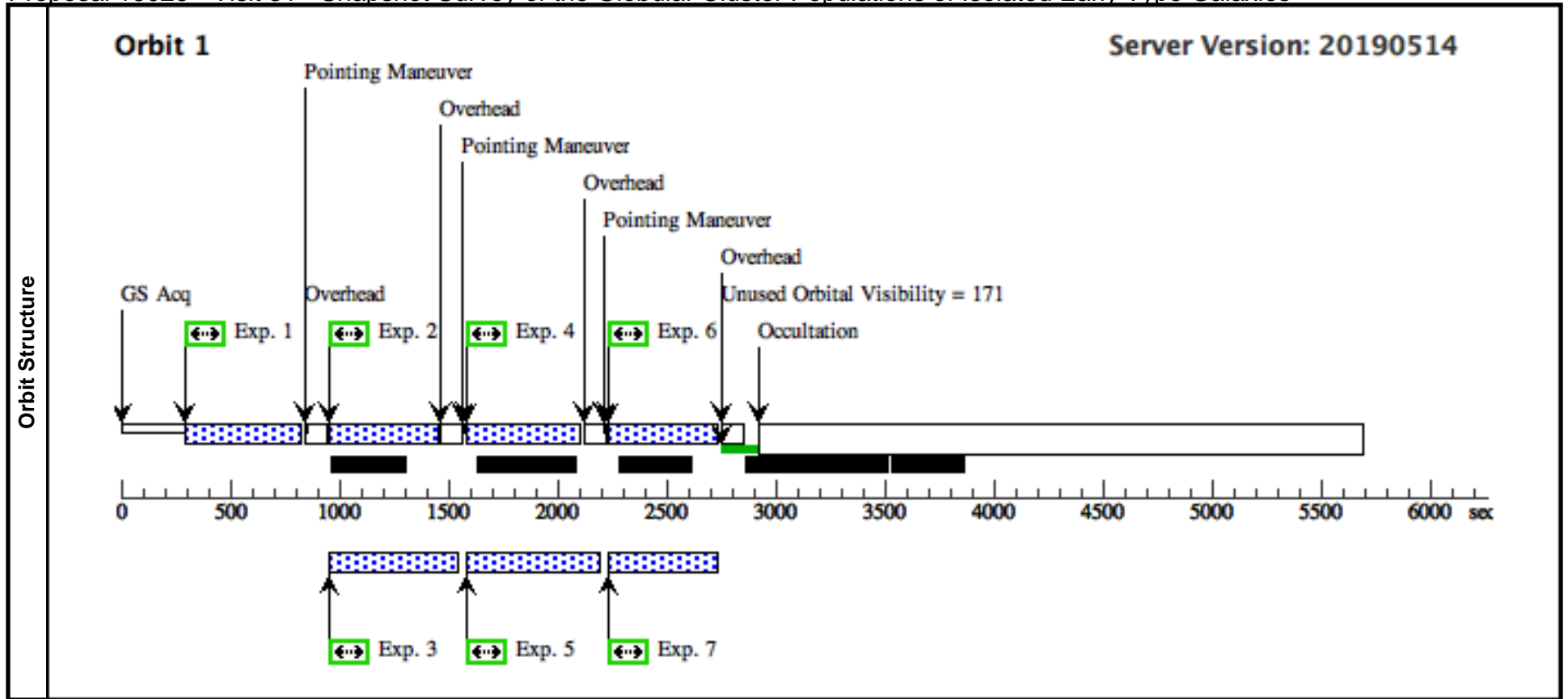
Visit	Proposal 16025, Visit 29, implementation Diagnostic Status: No Diagnostics Scientific Instruments: WFC3/UVIS, ACS/WFC Special Requirements: SCHED 100% Comments: <i>SNAPSHOT</i>									
	Fixed Targets	#	Name	Target Coordinates	Targ. Coord. Corrections	Fluxes	Miscellaneous			
	(29)	SDSS-J111304.88+192734.6	RA: 11 13 4.8875 (168.2703646d) Dec: +19 27 34.64 (19.45962d) Equinox: J2000		V=15.74 g-i = 1.04	Reference Frame: SDSS				
	Comments: Category= <i>GALAXY</i> Description= <i>[ELLIPTICAL, LENTICULAR]</i> Extended= <i>YES</i>									
Exposures	#	Label	Target	Config,Mode,Aperture	Spectral Els.	Opt. Params.	Special Reqs.	Groups	Exp. Time (Total)/[Actual Dur.]	Orbit
	1		(29) SDSS-J111304.88+192734.6	WFC3/UVIS, ACCUM, UVIS2-FIX	F600LP		POS TARG 0.0,10.0		500 Secs (500 Secs)	
									[==>]	[1]
	2		(29) SDSS-J111304.88+192734.6	WFC3/UVIS, ACCUM, UVIS2-FIX	F600LP		POS TARG 0.099,10.165	Prime + Parallel Group 2-3 in Visit 29	500 Secs (500 Secs)	
									[==>]	[1]
	3		ANY	ACS/WFC, ACCUM, WFC1A-2K	F475W			Prime + Parallel Group 2-3 in Visit 29	385 Secs (385 Secs)	
									[==>]	[1]
	4		(29) SDSS-J111304.88+192734.6	WFC3/UVIS, ACCUM, UVIS2-FIX	F350LP		POS TARG 0.158,10.070	Prime + Parallel Group 4-5 in Visit 29	500 Secs (500 Secs)	
								[==>]	[1]	
5		ANY	ACS/WFC, ACCUM, WFC	F814W			Prime + Parallel Group 4-5 in Visit 29	450 Secs (450 Secs)		
								[==>]	[1]	
6		(29) SDSS-J111304.88+192734.6	WFC3/UVIS, ACCUM, UVIS2-FIX	F350LP		POS TARG -0.060,10.095	Prime + Parallel Group 6-7 in Visit 29	500 Secs (500 Secs)		
								[==>]	[1]	
7		ANY	ACS/WFC, ACCUM, WFC	F475W			Prime + Parallel Group 6-7 in Visit 29	340 Secs (340 Secs)		
								[==>]	[1]	



Proposal 16025 - Visit 31 - Snapshot Survey of the Globular Cluster Populations of Isolated Early Type Galaxies

Thu Oct 03 22:01:14 GMT 2019

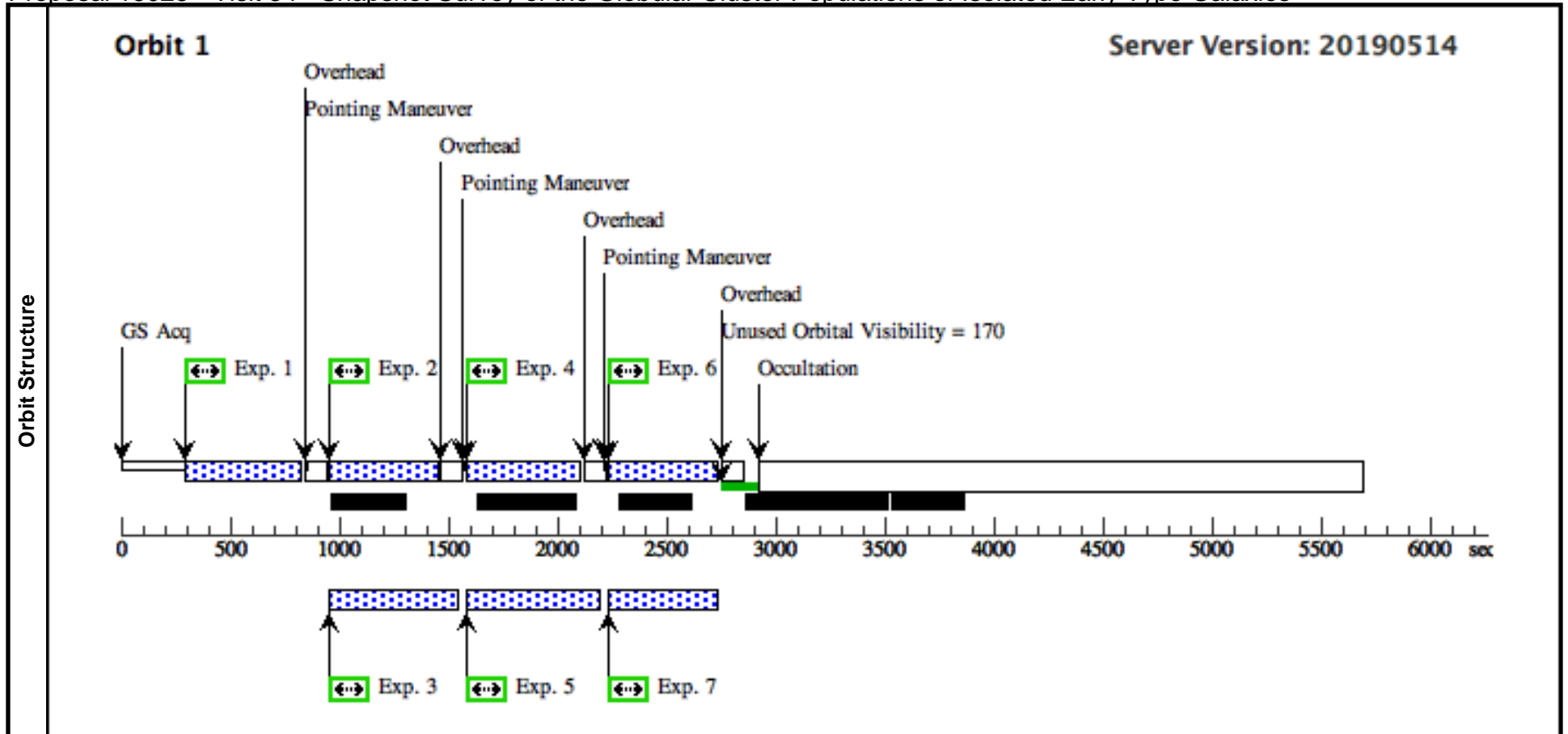
Visit	Proposal 16025, Visit 31, implementation Diagnostic Status: No Diagnostics Scientific Instruments: WFC3/UVIS, ACS/WFC Special Requirements: SCHED 100% Comments: <i>SNAPSHOT</i>									
	Fixed Targets	#	Name	Target Coordinates	Targ. Coord. Corrections	Fluxes	Miscellaneous			
	(31)	SDSS-J094403.20+293634.1	RA: 09 44 3.2026 (146.0133442d) Dec: +29 36 34.13 (29.60948d) Equinox: J2000		V=14.83 g-i = 0.95	Reference Frame: SDSS				
	Comments: Category= <i>GALAXY</i> Description= <i>[ELLIPTICAL, LENTICULAR]</i> Extended= <i>YES</i>									
Exposures	#	Label	Target	Config,Mode,Aperture	Spectral Els.	Opt. Params.	Special Reqs.	Groups	Exp. Time (Total)/[Actual Dur.]	Orbit
	1		(31) SDSS-J094403.20+293634.1	WFC3/UVIS, ACCUM, UVIS2-FIX	F600LP		POS TARG 0.0,10.0		500 Secs (500 Secs)	
									[==>]	[1]
	2		(31) SDSS-J094403.20+293634.1	WFC3/UVIS, ACCUM, UVIS2-FIX	F600LP		POS TARG 0.099,10.165	Prime + Parallel Group 2-3 in Visit 31	500 Secs (500 Secs)	
									[==>]	[1]
	3		ANY	ACS/WFC, ACCUM, WFC1A-2K	F475W			Prime + Parallel Group 2-3 in Visit 31	385 Secs (385 Secs)	
									[==>]	[1]
	4		(31) SDSS-J094403.20+293634.1	WFC3/UVIS, ACCUM, UVIS2-FIX	F350LP		POS TARG 0.158,10.070	Prime + Parallel Group 4-5 in Visit 31	500 Secs (500 Secs)	
								[==>]	[1]	
5		ANY	ACS/WFC, ACCUM, WFC	F814W			Prime + Parallel Group 4-5 in Visit 31	450 Secs (450 Secs)		
								[==>]	[1]	
6		(31) SDSS-J094403.20+293634.1	WFC3/UVIS, ACCUM, UVIS2-FIX	F350LP		POS TARG -0.060,10.095	Prime + Parallel Group 6-7 in Visit 31	500 Secs (500 Secs)		
								[==>]	[1]	
7		ANY	ACS/WFC, ACCUM, WFC	F475W			Prime + Parallel Group 6-7 in Visit 31	340 Secs (340 Secs)		
								[==>]	[1]	



Proposal 16025 - Visit 34 - Snapshot Survey of the Globular Cluster Populations of Isolated Early Type Galaxies

Thu Oct 03 22:01:14 GMT 2019

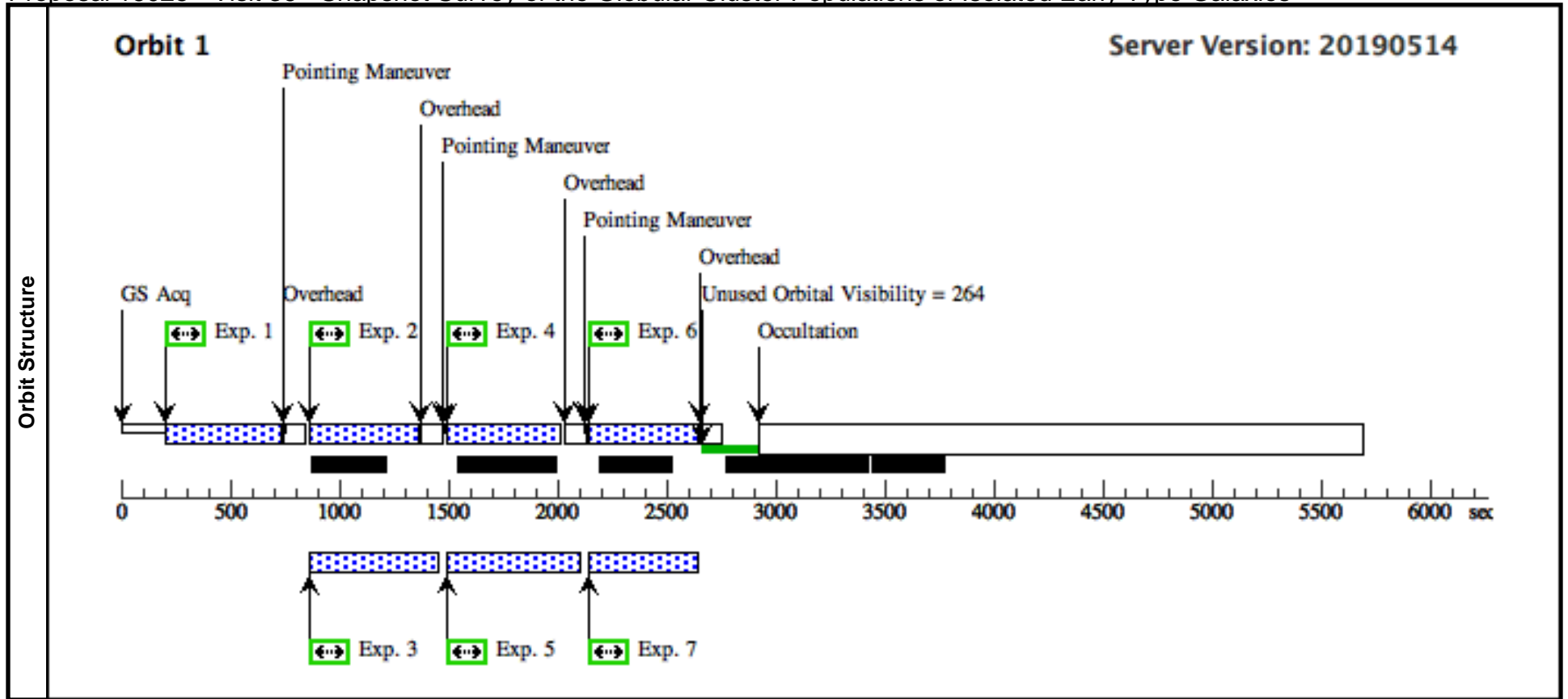
Visit	Proposal 16025, Visit 34, implementation Diagnostic Status: No Diagnostics Scientific Instruments: WFC3/UVIS, ACS/WFC Special Requirements: SCHED 100% Comments: <i>SNAPSHOT</i>									
	Fixed Targets	#	Name	Target Coordinates	Targ. Coord. Corrections	Fluxes	Miscellaneous			
	(34)	SDSS-J101229.29+122238.1	RA: 10 12 29.2908 (153.1220450d) Dec: +12 22 38.15 (12.37726d) Equinox: J2000		V=14.44 g-i = 1.30	Reference Frame: SDSS				
	Comments: Category= <i>GALAXY</i> Description= <i>[ELLIPTICAL, LENTICULAR]</i> Extended= <i>YES</i>									
Exposures	#	Label	Target	Config,Mode,Aperture	Spectral Els.	Opt. Params.	Special Reqs.	Groups	Exp. Time (Total)/[Actual Dur.]	Orbit
	1		(34) SDSS-J101229.29+122238.1	WFC3/UVIS, ACCUM, UVIS2-FIX	F600LP		POS TARG 0.0,20.0		500 Secs (500 Secs)	
									[==>]	[1]
	2		(34) SDSS-J101229.29+122238.1	WFC3/UVIS, ACCUM, UVIS2-FIX	F600LP		POS TARG 0.099,20.165	Prime + Parallel Group 2-3 in Visit 34	500 Secs (500 Secs)	
									[==>]	[1]
	3		ANY	ACS/WFC, ACCUM, WFC1A-2K	F475W			Prime + Parallel Group 2-3 in Visit 34	385 Secs (385 Secs)	
									[==>]	[1]
	4		(34) SDSS-J101229.29+122238.1	WFC3/UVIS, ACCUM, UVIS2-FIX	F350LP		POS TARG 0.158,20.070	Prime + Parallel Group 4-5 in Visit 34	500 Secs (500 Secs)	
								[==>]	[1]	
5		ANY	ACS/WFC, ACCUM, WFC	F814W			Prime + Parallel Group 4-5 in Visit 34	450 Secs (450 Secs)		
								[==>]	[1]	
6		(34) SDSS-J101229.29+122238.1	WFC3/UVIS, ACCUM, UVIS2-FIX	F350LP		POS TARG -0.060,20.095	Prime + Parallel Group 6-7 in Visit 34	500 Secs (500 Secs)		
								[==>]	[1]	
7		ANY	ACS/WFC, ACCUM, WFC	F475W			Prime + Parallel Group 6-7 in Visit 34	340 Secs (340 Secs)		
								[==>]	[1]	



Proposal 16025 - Visit 36 - Snapshot Survey of the Globular Cluster Populations of Isolated Early Type Galaxies

Thu Oct 03 22:01:14 GMT 2019

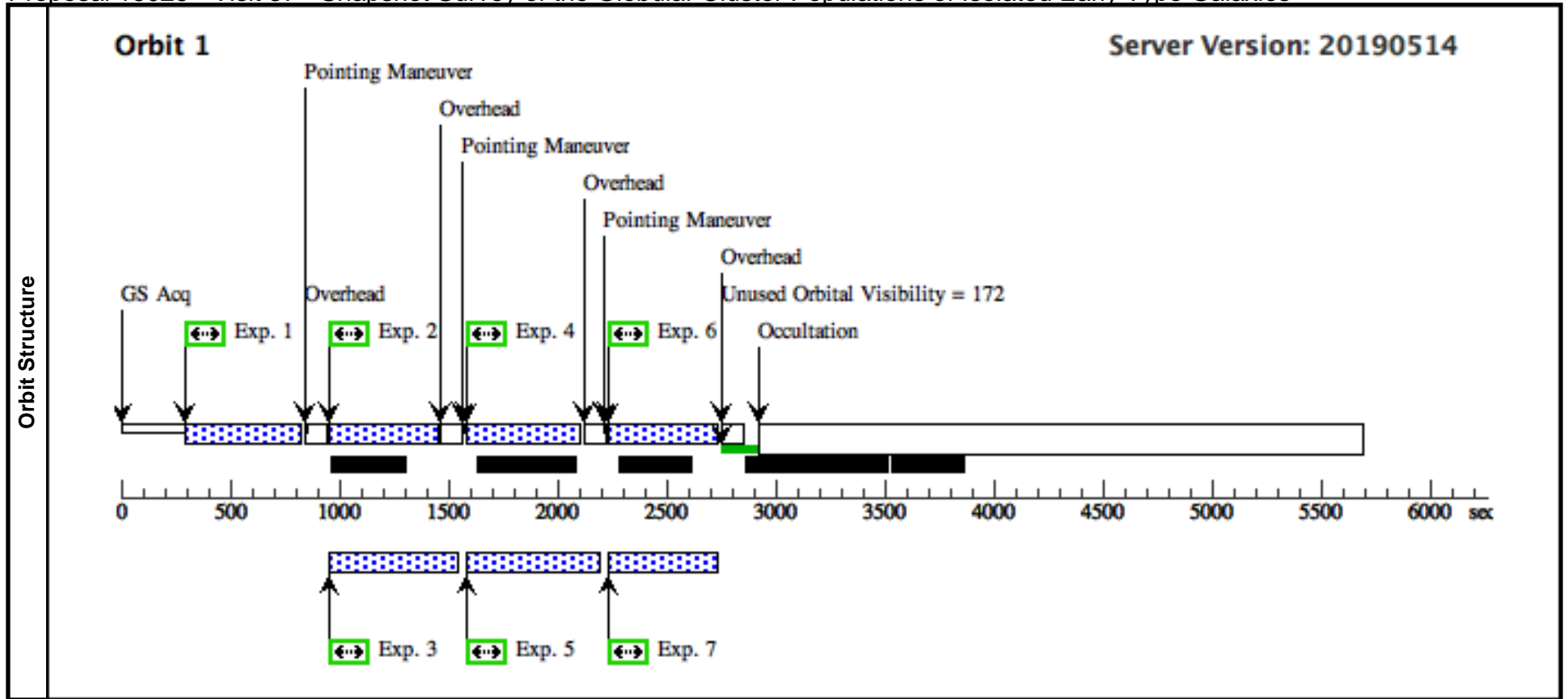
Visit	Proposal 16025, Visit 36, implementation Diagnostic Status: No Diagnostics Scientific Instruments: WFC3/UVIS, ACS/WFC Special Requirements: SCHED 100% Comments: <i>SNAPSHOT</i>									
	Fixed Targets	#	Name	Target Coordinates	Targ. Coord. Corrections	Fluxes	Miscellaneous			
	(36)	SDSS-J150856.20+241641.7	RA: 15 08 56.2068 (227.2341950d) Dec: +24 16 41.75 (24.27826d) Equinox: J2000		V=15.19 g-i = 1.23	Reference Frame: SDSS				
	Comments: Category=GALAXY Description=[ELLIPTICAL, LENTICULAR] Extended=YES									
Exposures	#	Label	Target	Config,Mode,Aperture	Spectral Els.	Opt. Params.	Special Reqs.	Groups	Exp. Time (Total)/[Actual Dur.]	Orbit
	1		(36) SDSS-J150856.20+241641.7	WFC3/UVIS, ACCUM, UVIS2-FIX	F600LP		POS TARG 0.0,10.0; GS ACQ SCENARI O SINGLE		500 Secs (500 Secs) [==>]	[1]
	2		(36) SDSS-J150856.20+241641.7	WFC3/UVIS, ACCUM, UVIS2-FIX	F600LP		POS TARG 0.099,10.165	Prime + Parallel Group 2-3 in Visit 36	500 Secs (500 Secs) [==>]	[1]
	3		ANY	ACS/WFC, ACCUM, WFC1A-2K	F475W			Prime + Parallel Group 2-3 in Visit 36	385 Secs (385 Secs) [==>]	[1]
	4		(36) SDSS-J150856.20+241641.7	WFC3/UVIS, ACCUM, UVIS2-FIX	F350LP		POS TARG 0.158,10.070	Prime + Parallel Group 4-5 in Visit 36	500 Secs (500 Secs) [==>]	[1]
	5		ANY	ACS/WFC, ACCUM, WFC	F814W			Prime + Parallel Group 4-5 in Visit 36	450 Secs (450 Secs) [==>]	[1]
	6		(36) SDSS-J150856.20+241641.7	WFC3/UVIS, ACCUM, UVIS2-FIX	F350LP		POS TARG -0.060,10.095	Prime + Parallel Group 6-7 in Visit 36	500 Secs (500 Secs) [==>]	[1]
	7		ANY	ACS/WFC, ACCUM, WFC	F475W			Prime + Parallel Group 6-7 in Visit 36	340 Secs (340 Secs) [==>]	[1]



Proposal 16025 - Visit 37 - Snapshot Survey of the Globular Cluster Populations of Isolated Early Type Galaxies

Thu Oct 03 22:01:14 GMT 2019

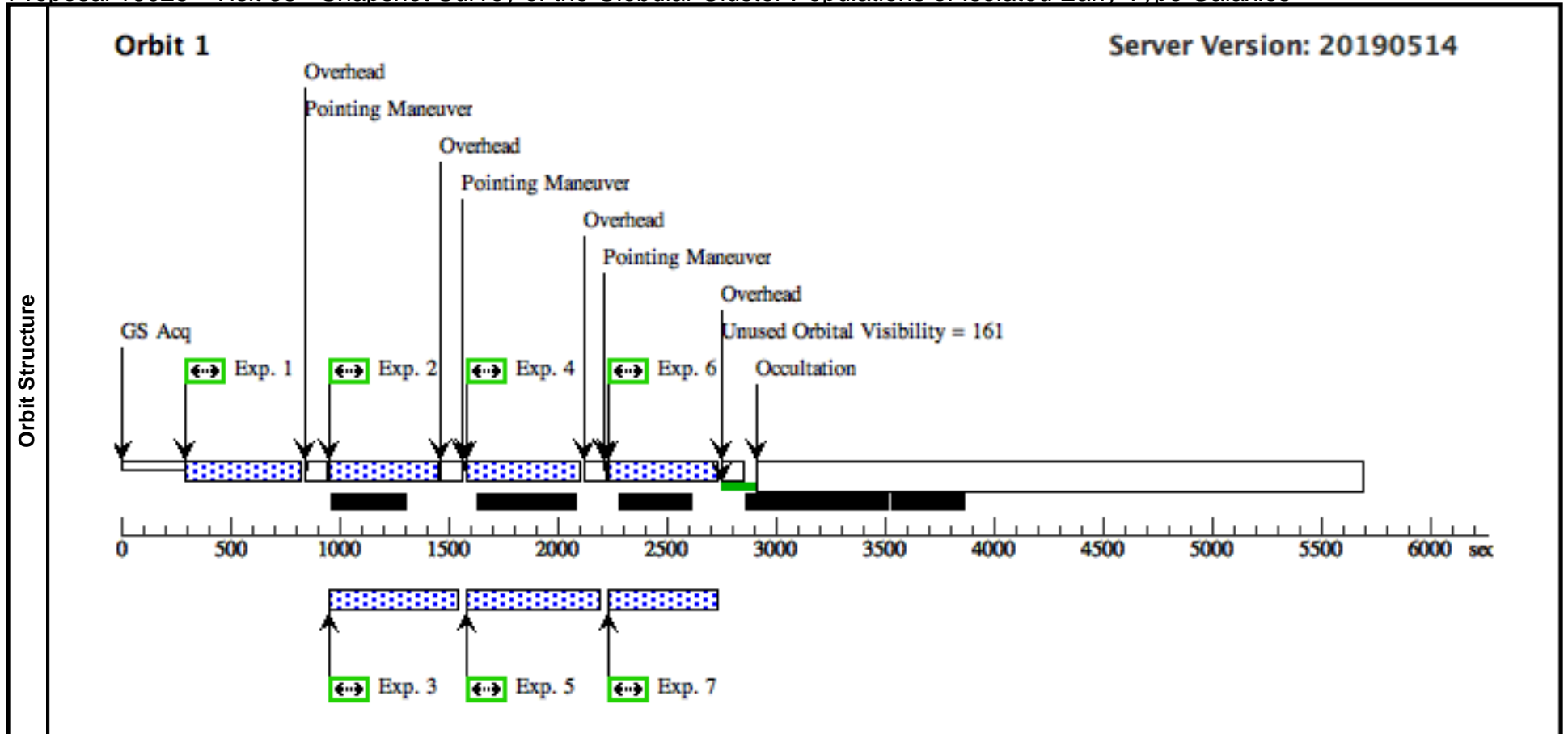
Visit	Proposal 16025, Visit 37, implementation Diagnostic Status: No Diagnostics Scientific Instruments: WFC3/UVIS, ACS/WFC Special Requirements: SCHED 100% Comments: <i>SNAPSHOT</i>									
	Fixed Targets	#	Name	Target Coordinates	Targ. Coord. Corrections	Fluxes	Miscellaneous			
	(37)	SDSS-J143912.68+155238.5	RA: 14 39 12.6872 (219.8028633d) Dec: +15 52 38.58 (15.87738d) Equinox: J2000		V=14.87 g-i = 1.10	Reference Frame: SDSS				
	Comments: Category=GALAXY Description=[ELLIPTICAL, LENTICULAR] Extended=YES									
Exposures	#	Label	Target	Config,Mode,Aperture	Spectral Els.	Opt. Params.	Special Reqs.	Groups	Exp. Time (Total)/[Actual Dur.]	Orbit
	1		(37) SDSS-J143912.68+155238.5	WFC3/UVIS, ACCUM, UVIS2-FIX	F600LP		POS TARG 0.0,20.0		500 Secs (500 Secs)	
									[==>]	[1]
	2		(37) SDSS-J143912.68+155238.5	WFC3/UVIS, ACCUM, UVIS2-FIX	F600LP		POS TARG 0.099,20.165	Prime + Parallel Group 2-3 in Visit 37	500 Secs (500 Secs)	
									[==>]	[1]
	3		ANY	ACS/WFC, ACCUM, WFC1A-2K	F475W			Prime + Parallel Group 2-3 in Visit 37	385 Secs (385 Secs)	
									[==>]	[1]
	4		(37) SDSS-J143912.68+155238.5	WFC3/UVIS, ACCUM, UVIS2-FIX	F350LP		POS TARG 0.158,20.070	Prime + Parallel Group 4-5 in Visit 37	500 Secs (500 Secs)	
								[==>]	[1]	
5		ANY	ACS/WFC, ACCUM, WFC	F814W			Prime + Parallel Group 4-5 in Visit 37	450 Secs (450 Secs)		
								[==>]	[1]	
6		(37) SDSS-J143912.68+155238.5	WFC3/UVIS, ACCUM, UVIS2-FIX	F350LP		POS TARG -0.060,20.095	Prime + Parallel Group 6-7 in Visit 37	500 Secs (500 Secs)		
								[==>]	[1]	
7		ANY	ACS/WFC, ACCUM, WFC	F475W			Prime + Parallel Group 6-7 in Visit 37	340 Secs (340 Secs)		
								[==>]	[1]	



Proposal 16025 - Visit 38 - Snapshot Survey of the Globular Cluster Populations of Isolated Early Type Galaxies

Thu Oct 03 22:01:14 GMT 2019

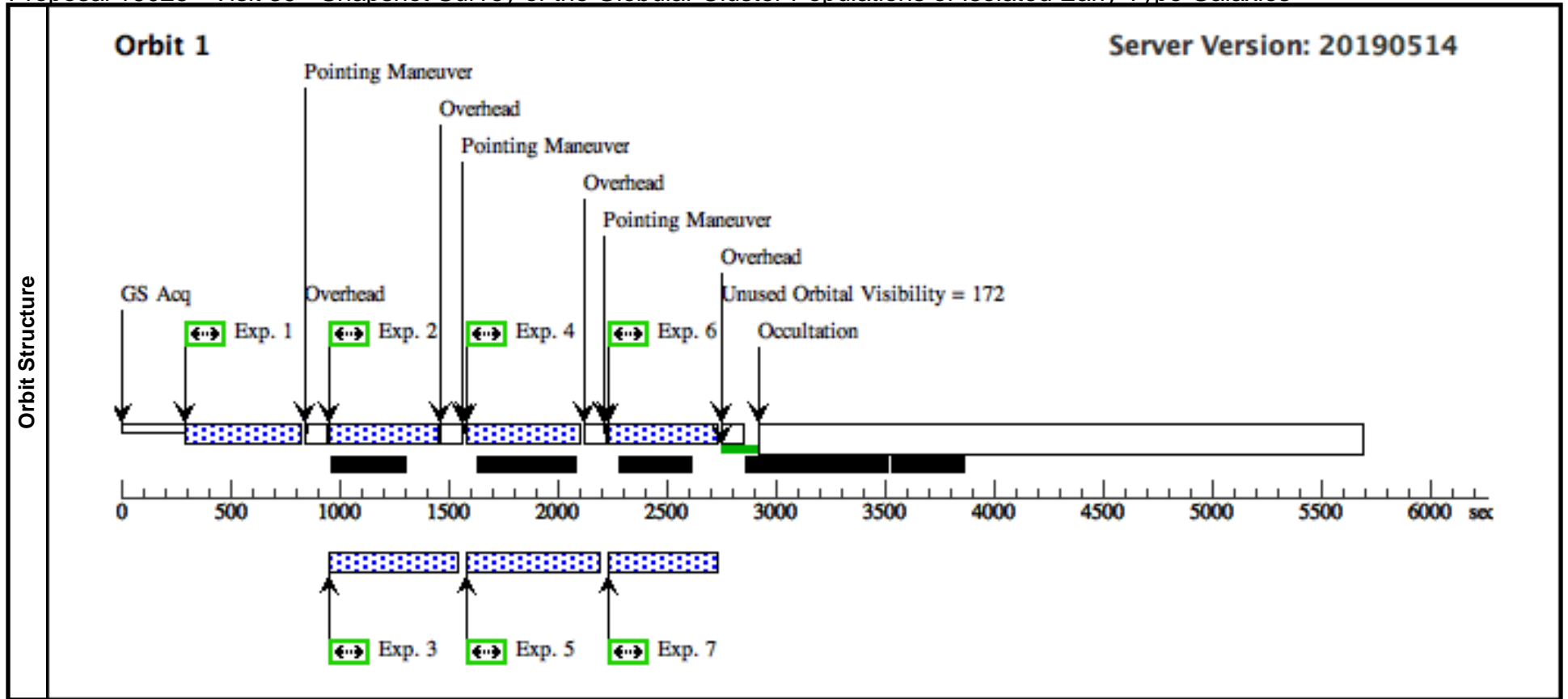
Visit	Proposal 16025, Visit 38, implementation Diagnostic Status: No Diagnostics Scientific Instruments: WFC3/UVIS, ACS/WFC Special Requirements: SCHED 100% Comments: <i>SNAPSHOT</i>									
	Fixed Targets	#	Name	Target Coordinates	Targ. Coord. Corrections	Fluxes	Miscellaneous			
	(38)	SDSS-J122203.43-023700.2	RA: 12 22 3.4385 (185.5143271d) Dec: -02 37 0.23 (-2.61673d) Equinox: J2000		V=15.18 g-i = 1.21	Reference Frame: SDSS				
	Comments: Category= <i>GALAXY</i> Description= <i>[ELLIPTICAL, LENTICULAR]</i> Extended= <i>YES</i>									
Exposures	#	Label	Target	Config,Mode,Aperture	Spectral Els.	Opt. Params.	Special Reqs.	Groups	Exp. Time (Total)/[Actual Dur.]	Orbit
	1		(38) SDSS-J122203.43-023700.2	WFC3/UVIS, ACCUM, UVIS2-FIX	F600LP		POS TARG 0.0,10.0		500 Secs (500 Secs)	
									[==>]	[1]
	2		(38) SDSS-J122203.43-023700.2	WFC3/UVIS, ACCUM, UVIS2-FIX	F600LP		POS TARG 0.099,10.165	Prime + Parallel Group 2-3 in Visit 38	500 Secs (500 Secs)	
									[==>]	[1]
	3		ANY	ACS/WFC, ACCUM, WFC1A-2K	F475W			Prime + Parallel Group 2-3 in Visit 38	385 Secs (385 Secs)	
									[==>]	[1]
	4		(38) SDSS-J122203.43-023700.2	WFC3/UVIS, ACCUM, UVIS2-FIX	F350LP		POS TARG 0.158,10.070	Prime + Parallel Group 4-5 in Visit 38	500 Secs (500 Secs)	
								[==>]	[1]	
5		ANY	ACS/WFC, ACCUM, WFC	F814W			Prime + Parallel Group 4-5 in Visit 38	450 Secs (450 Secs)		
								[==>]	[1]	
6		(38) SDSS-J122203.43-023700.2	WFC3/UVIS, ACCUM, UVIS2-FIX	F350LP		POS TARG -0.060,10.095	Prime + Parallel Group 6-7 in Visit 38	500 Secs (500 Secs)		
								[==>]	[1]	
7		ANY	ACS/WFC, ACCUM, WFC	F475W			Prime + Parallel Group 6-7 in Visit 38	340 Secs (340 Secs)		
								[==>]	[1]	



Proposal 16025 - Visit 39 - Snapshot Survey of the Globular Cluster Populations of Isolated Early Type Galaxies

Thu Oct 03 22:01:14 GMT 2019

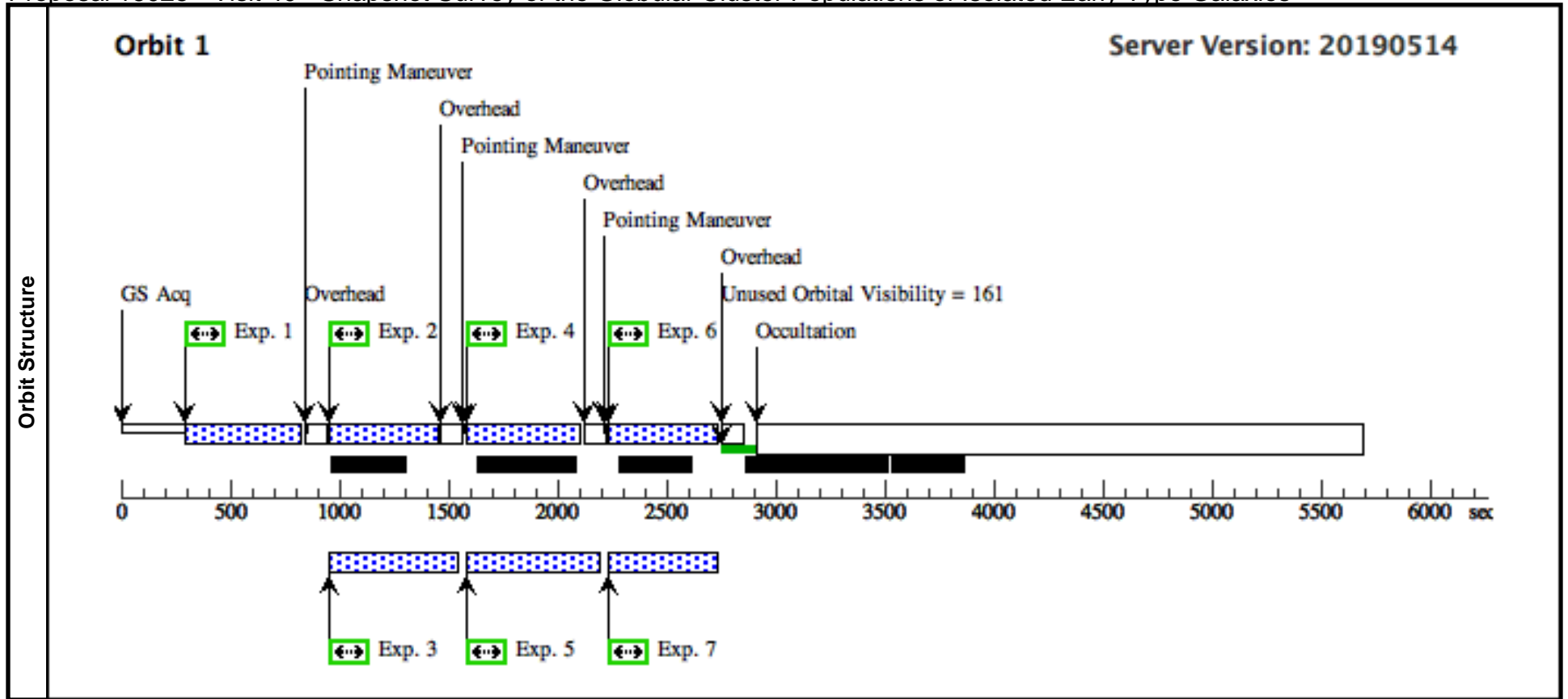
Visit	Proposal 16025, Visit 39, implementation Diagnostic Status: No Diagnostics Scientific Instruments: WFC3/UVIS, ACS/WFC Special Requirements: SCHED 100% Comments: <i>SNAPSHOT</i>									
	Fixed Targets	#	Name	Target Coordinates	Targ. Coord. Corrections	Fluxes	Miscellaneous			
	(39)	SDSS-J075040.75+232939.5	RA: 07 50 40.7539 (117.6698079d) Dec: +23 29 39.52 (23.49431d) Equinox: J2000		V=14.86 g-i = 1.15	Reference Frame: SDSS				
	Comments: Category=GALAXY Description=[ELLIPTICAL, LENTICULAR] Extended=YES									
Exposures	#	Label	Target	Config,Mode,Aperture	Spectral Els.	Opt. Params.	Special Reqs.	Groups	Exp. Time (Total)/[Actual Dur.]	Orbit
	1		(39) SDSS-J075040.75+232939.5	WFC3/UVIS, ACCUM, UVIS2-FIX	F600LP		POS TARG 0.0,10.0		500 Secs (500 Secs)	
									[==>]	[1]
	2		(39) SDSS-J075040.75+232939.5	WFC3/UVIS, ACCUM, UVIS2-FIX	F600LP		POS TARG 0.099,10.165	Prime + Parallel Group 2-3 in Visit 39	500 Secs (500 Secs)	
									[==>]	[1]
	3		ANY	ACS/WFC, ACCUM, WFC1A-2K	F475W			Prime + Parallel Group 2-3 in Visit 39	385 Secs (385 Secs)	
									[==>]	[1]
	4		(39) SDSS-J075040.75+232939.5	WFC3/UVIS, ACCUM, UVIS2-FIX	F350LP		POS TARG 0.158,10.070	Prime + Parallel Group 4-5 in Visit 39	500 Secs (500 Secs)	
								[==>]	[1]	
5		ANY	ACS/WFC, ACCUM, WFC	F814W			Prime + Parallel Group 4-5 in Visit 39	450 Secs (450 Secs)		
								[==>]	[1]	
6		(39) SDSS-J075040.75+232939.5	WFC3/UVIS, ACCUM, UVIS2-FIX	F350LP		POS TARG -0.060,10.095	Prime + Parallel Group 6-7 in Visit 39	500 Secs (500 Secs)		
								[==>]	[1]	
7		ANY	ACS/WFC, ACCUM, WFC	F475W			Prime + Parallel Group 6-7 in Visit 39	340 Secs (340 Secs)		
								[==>]	[1]	



Proposal 16025 - Visit 40 - Snapshot Survey of the Globular Cluster Populations of Isolated Early Type Galaxies

Thu Oct 03 22:01:14 GMT 2019

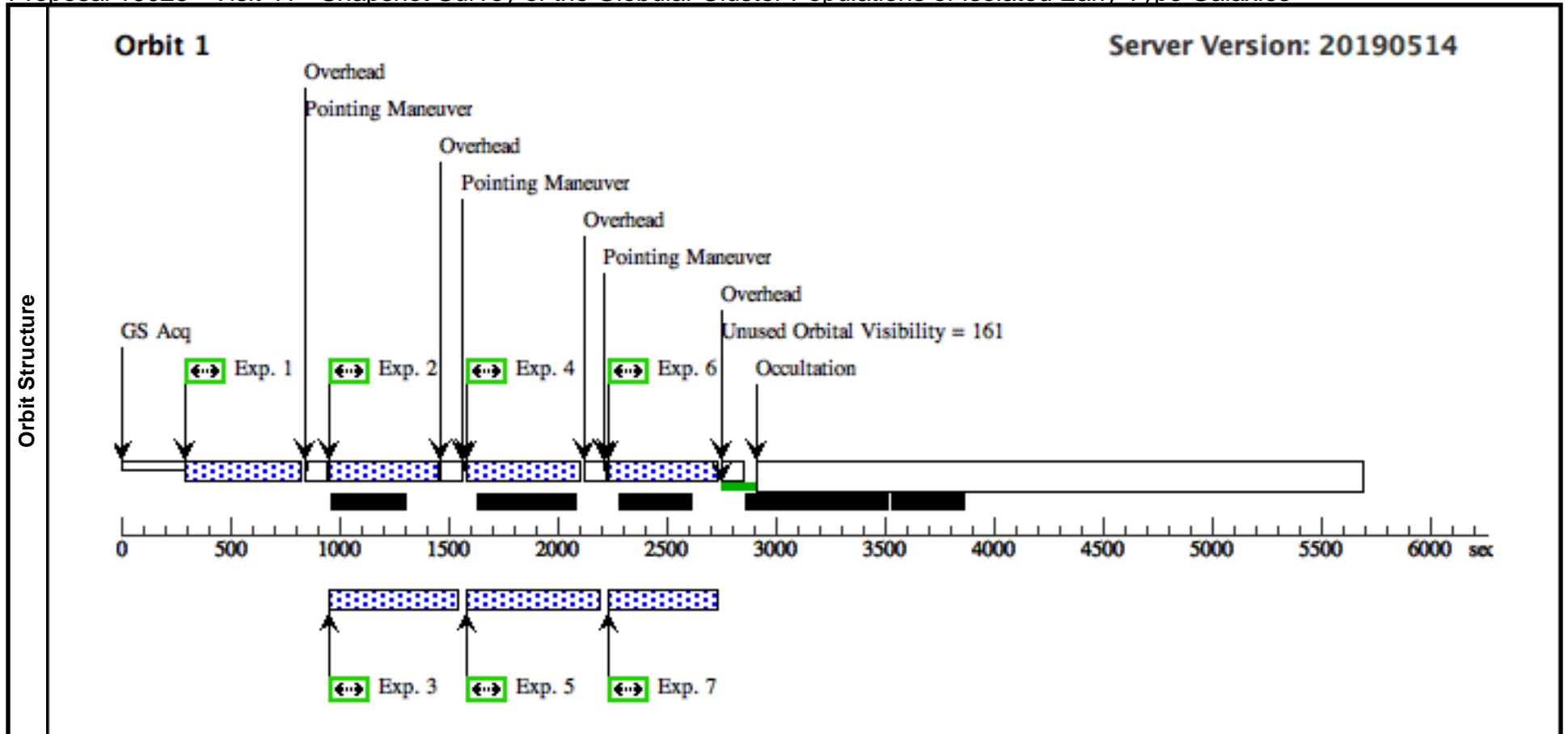
Visit	Proposal 16025, Visit 40, implementation Diagnostic Status: No Diagnostics Scientific Instruments: WFC3/UVIS, ACS/WFC Special Requirements: SCHED 100% Comments: <i>SNAPSHOT</i>									
	Fixed Targets	#	Name	Target Coordinates	Targ. Coord. Corrections	Fluxes	Miscellaneous			
	(40)	SDSS-J103920.45-001200.8	RA: 10 39 20.4515 (159.8352146d) Dec: -00 12 0.87 (-.20024d) Equinox: J2000		V=13.47 g-i = 1.23	Reference Frame: SDSS				
	Comments: Category= <i>GALAXY</i> Description= <i>[ELLIPTICAL, LENTICULAR]</i> Extended= <i>YES</i>									
Exposures	#	Label	Target	Config,Mode,Aperture	Spectral Els.	Opt. Params.	Special Reqs.	Groups	Exp. Time (Total)/[Actual Dur.]	Orbit
	1		(40) SDSS-J103920.45-001200.8	WFC3/UVIS, ACCUM, UVIS2-FIX	F600LP		POS TARG 0.0,35.0		500 Secs (500 Secs)	
									[==>]	[1]
	2		(40) SDSS-J103920.45-001200.8	WFC3/UVIS, ACCUM, UVIS2-FIX	F600LP		POS TARG 0.099,35.165	Prime + Parallel Group 2-3 in Visit 40	500 Secs (500 Secs)	
									[==>]	[1]
	3		ANY	ACS/WFC, ACCUM, WFC1A-2K	F475W			Prime + Parallel Group 2-3 in Visit 40	385 Secs (385 Secs)	
									[==>]	[1]
	4		(40) SDSS-J103920.45-001200.8	WFC3/UVIS, ACCUM, UVIS2-FIX	F350LP		POS TARG 0.158,35.070	Prime + Parallel Group 4-5 in Visit 40	500 Secs (500 Secs)	
								[==>]	[1]	
5		ANY	ACS/WFC, ACCUM, WFC	F814W			Prime + Parallel Group 4-5 in Visit 40	450 Secs (450 Secs)		
								[==>]	[1]	
6		(40) SDSS-J103920.45-001200.8	WFC3/UVIS, ACCUM, UVIS2-FIX	F350LP		POS TARG -0.060,35.095	Prime + Parallel Group 6-7 in Visit 40	500 Secs (500 Secs)		
								[==>]	[1]	
7		ANY	ACS/WFC, ACCUM, WFC	F475W			Prime + Parallel Group 6-7 in Visit 40	340 Secs (340 Secs)		
								[==>]	[1]	



Proposal 16025 - Visit 41 - Snapshot Survey of the Globular Cluster Populations of Isolated Early Type Galaxies

Thu Oct 03 22:01:14 GMT 2019

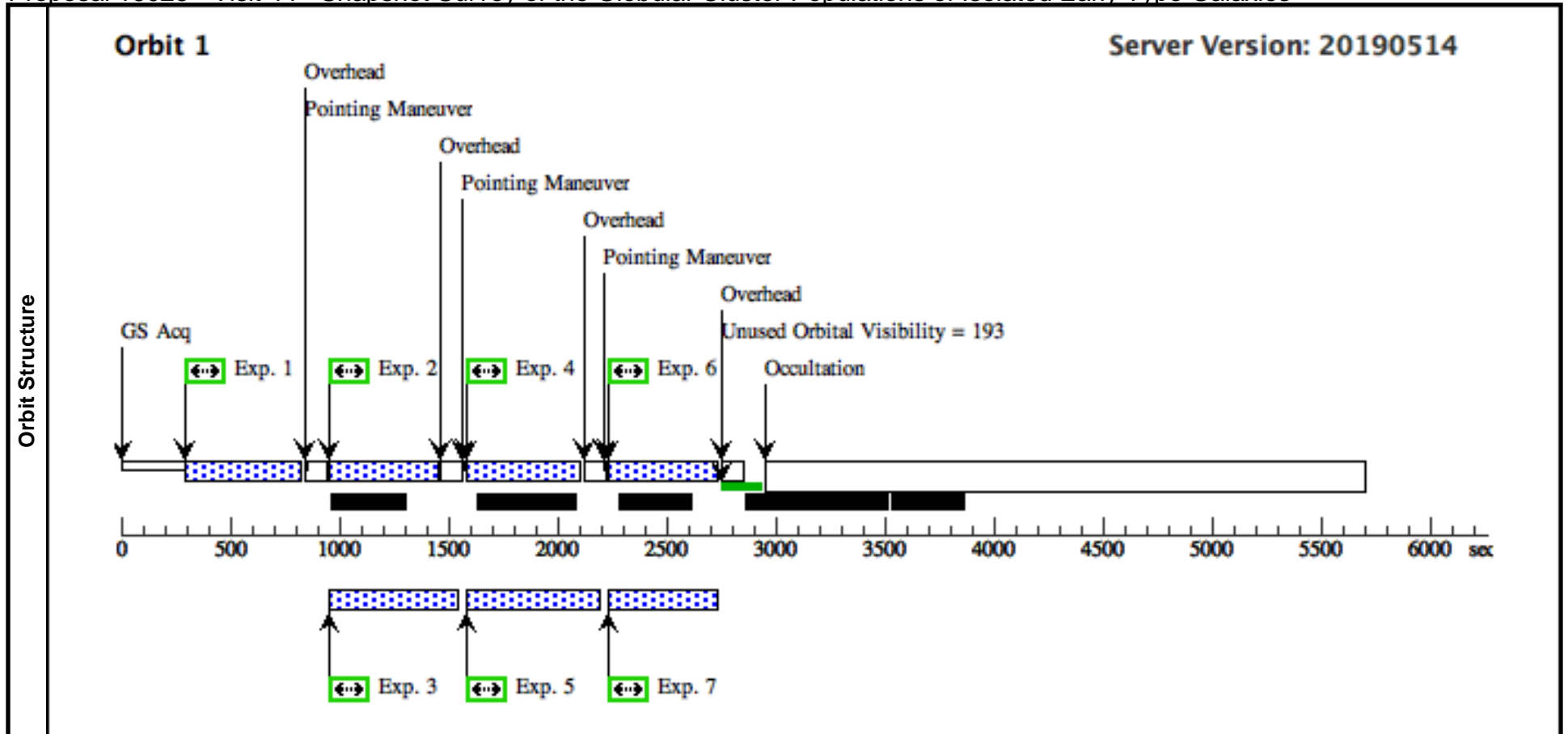
Visit	Proposal 16025, Visit 41, implementation Diagnostic Status: No Diagnostics Scientific Instruments: WFC3/UVIS, ACS/WFC Special Requirements: SCHED 100% Comments: <i>SNAPSHOT</i>									
	Fixed Targets	#	Name	Target Coordinates	Targ. Coord. Corrections	Fluxes	Miscellaneous			
	(41)	SDSS-J090841.83+002904.8	RA: 09 08 41.8374 (137.1743225d) Dec: +00 29 4.86 (.48468d) Equinox: J2000		V=14.73 g-i = 1.27	Reference Frame: SDSS				
	Comments: Category=GALAXY Description=[ELLIPTICAL, LENTICULAR] Extended=YES									
Exposures	#	Label	Target	Config,Mode,Aperture	Spectral Els.	Opt. Params.	Special Reqs.	Groups	Exp. Time (Total)/[Actual Dur.]	Orbit
	1		(41) SDSS-J090841.83+002904.8	WFC3/UVIS, ACCUM, UVIS2-FIX	F600LP		POS TARG 0.0,20.0		500 Secs (500 Secs)	
									[==>]	[1]
	2		(41) SDSS-J090841.83+002904.8	WFC3/UVIS, ACCUM, UVIS2-FIX	F600LP		POS TARG 0.099,20.165	Prime + Parallel Group 2-3 in Visit 41	500 Secs (500 Secs)	
									[==>]	[1]
	3		ANY	ACS/WFC, ACCUM, WFC1A-2K	F475W			Prime + Parallel Group 2-3 in Visit 41	385 Secs (385 Secs)	
									[==>]	[1]
	4		(41) SDSS-J090841.83+002904.8	WFC3/UVIS, ACCUM, UVIS2-FIX	F350LP		POS TARG 0.158,20.070	Prime + Parallel Group 4-5 in Visit 41	500 Secs (500 Secs)	
								[==>]	[1]	
5		ANY	ACS/WFC, ACCUM, WFC	F814W			Prime + Parallel Group 4-5 in Visit 41	450 Secs (450 Secs)		
								[==>]	[1]	
6		(41) SDSS-J090841.83+002904.8	WFC3/UVIS, ACCUM, UVIS2-FIX	F350LP		POS TARG -0.060,20.095	Prime + Parallel Group 6-7 in Visit 41	500 Secs (500 Secs)		
								[==>]	[1]	
7		ANY	ACS/WFC, ACCUM, WFC	F475W			Prime + Parallel Group 6-7 in Visit 41	340 Secs (340 Secs)		
								[==>]	[1]	



Proposal 16025 - Visit 44 - Snapshot Survey of the Globular Cluster Populations of Isolated Early Type Galaxies

Thu Oct 03 22:01:14 GMT 2019

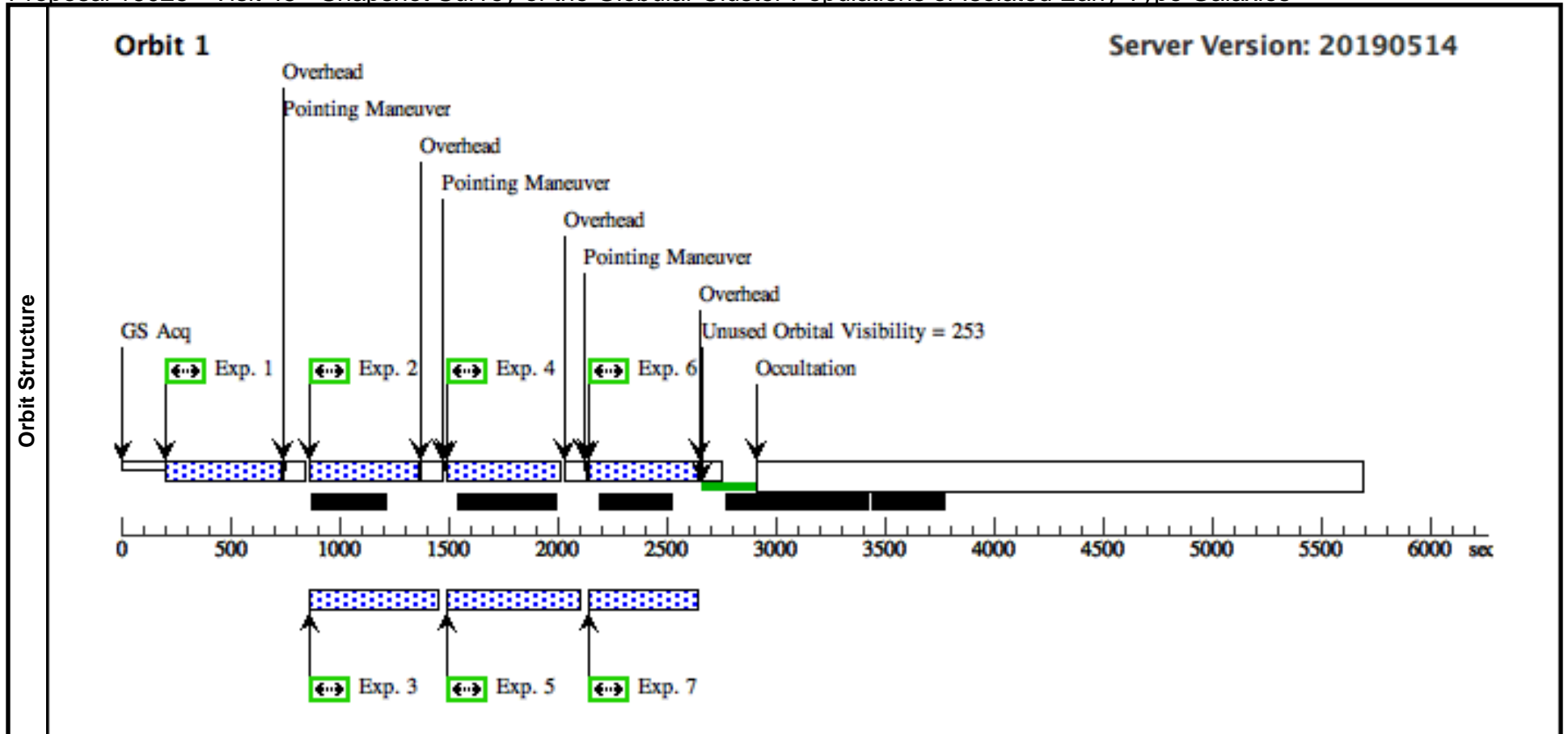
Visit	Proposal 16025, Visit 44, implementation Diagnostic Status: No Diagnostics Scientific Instruments: WFC3/UVIS, ACS/WFC Special Requirements: SCHED 100% Comments: <i>SNAPSHOT</i>									
	Fixed Targets	#	Name	Target Coordinates	Targ. Coord. Corrections	Fluxes	Miscellaneous			
	(44)	SDSS-J120403.35+551217.7	RA: 12 04 3.3506 (181.0139608d) Dec: +55 12 17.75 (55.20493d) Equinox: J2000		V=15.76 g-i = 1.02	Reference Frame: SDSS				
	Comments: Category= <i>GALAXY</i> Description= <i>[ELLIPTICAL, LENTICULAR]</i> Extended= <i>YES</i>									
Exposures	#	Label	Target	Config,Mode,Aperture	Spectral Els.	Opt. Params.	Special Reqs.	Groups	Exp. Time (Total)/[Actual Dur.]	Orbit
	1		(44) SDSS-J120403.35+551217.7	WFC3/UVIS, ACCUM, UVIS2-FIX	F600LP		POS TARG 0.0,10.0		500 Secs (500 Secs)	
									[==>]	[1]
	2		(44) SDSS-J120403.35+551217.7	WFC3/UVIS, ACCUM, UVIS2-FIX	F600LP		POS TARG 0.099,10.165	Prime + Parallel Group 2-3 in Visit 44	500 Secs (500 Secs)	
									[==>]	[1]
	3		ANY	ACS/WFC, ACCUM, WFC1A-2K	F475W			Prime + Parallel Group 2-3 in Visit 44	385 Secs (385 Secs)	
									[==>]	[1]
	4		(44) SDSS-J120403.35+551217.7	WFC3/UVIS, ACCUM, UVIS2-FIX	F350LP		POS TARG 0.158,10.070	Prime + Parallel Group 4-5 in Visit 44	500 Secs (500 Secs)	
								[==>]	[1]	
5		ANY	ACS/WFC, ACCUM, WFC	F814W			Prime + Parallel Group 4-5 in Visit 44	450 Secs (450 Secs)		
								[==>]	[1]	
6		(44) SDSS-J120403.35+551217.7	WFC3/UVIS, ACCUM, UVIS2-FIX	F350LP		POS TARG -0.060,10.095	Prime + Parallel Group 6-7 in Visit 44	500 Secs (500 Secs)		
								[==>]	[1]	
7		ANY	ACS/WFC, ACCUM, WFC	F475W			Prime + Parallel Group 6-7 in Visit 44	340 Secs (340 Secs)		
								[==>]	[1]	



Proposal 16025 - Visit 45 - Snapshot Survey of the Globular Cluster Populations of Isolated Early Type Galaxies

Thu Oct 03 22:01:14 GMT 2019

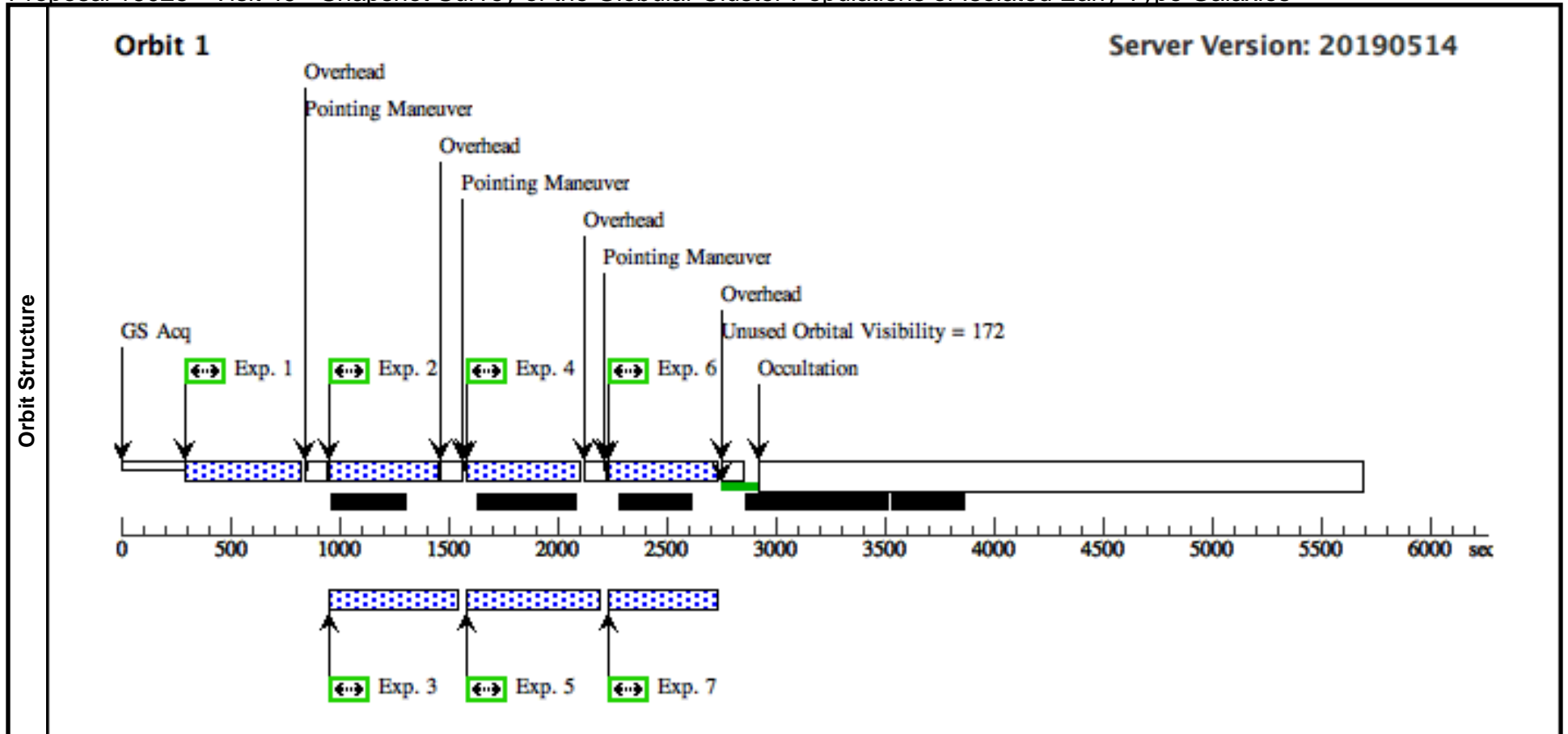
Visit	Proposal 16025, Visit 45, implementation Diagnostic Status: No Diagnostics Scientific Instruments: WFC3/UVIS, ACS/WFC Special Requirements: SCHED 100% Comments: <i>SNAPSHOT</i>									
	Fixed Targets	#	Name	Target Coordinates	Targ. Coord. Corrections	Fluxes	Miscellaneous			
	(45)	SDSS-J114054.17-024140.8	RA: 11 40 54.1710 (175.2257125d) Dec: -02 41 40.86 (-2.69468d) Equinox: J2000		V=15.31 g-i = 1.18	Reference Frame: SDSS				
	Comments: Category= <i>GALAXY</i> Description= <i>[ELLIPTICAL, LENTICULAR]</i> Extended= <i>YES</i>									
Exposures	#	Label	Target	Config,Mode,Aperture	Spectral Els.	Opt. Params.	Special Reqs.	Groups	Exp. Time (Total)/[Actual Dur.]	Orbit
	1		(45) SDSS-J114054.17-024140.8	WFC3/UVIS, ACCUM, UVIS2-FIX	F600LP		POS TARG 0.0,10.0; GS ACQ SCENARI O SINGLE		500 Secs (500 Secs) [==>]	[1]
	2		(45) SDSS-J114054.17-024140.8	WFC3/UVIS, ACCUM, UVIS2-FIX	F600LP		POS TARG 0.099,10.165	Prime + Parallel Group 2-3 in Visit 45	500 Secs (500 Secs) [==>]	[1]
	3		ANY	ACS/WFC, ACCUM, WFC1A-2K	F475W			Prime + Parallel Group 2-3 in Visit 45	385 Secs (385 Secs) [==>]	[1]
	4		(45) SDSS-J114054.17-024140.8	WFC3/UVIS, ACCUM, UVIS2-FIX	F350LP		POS TARG 0.158,10.070	Prime + Parallel Group 4-5 in Visit 45	500 Secs (500 Secs) [==>]	[1]
	5		ANY	ACS/WFC, ACCUM, WFC	F814W			Prime + Parallel Group 4-5 in Visit 45	450 Secs (450 Secs) [==>]	[1]
	6		(45) SDSS-J114054.17-024140.8	WFC3/UVIS, ACCUM, UVIS2-FIX	F350LP		POS TARG -0.060,10.095	Prime + Parallel Group 6-7 in Visit 45	500 Secs (500 Secs) [==>]	[1]
	7		ANY	ACS/WFC, ACCUM, WFC	F475W			Prime + Parallel Group 6-7 in Visit 45	340 Secs (340 Secs) [==>]	[1]



Proposal 16025 - Visit 49 - Snapshot Survey of the Globular Cluster Populations of Isolated Early Type Galaxies

Thu Oct 03 22:01:14 GMT 2019

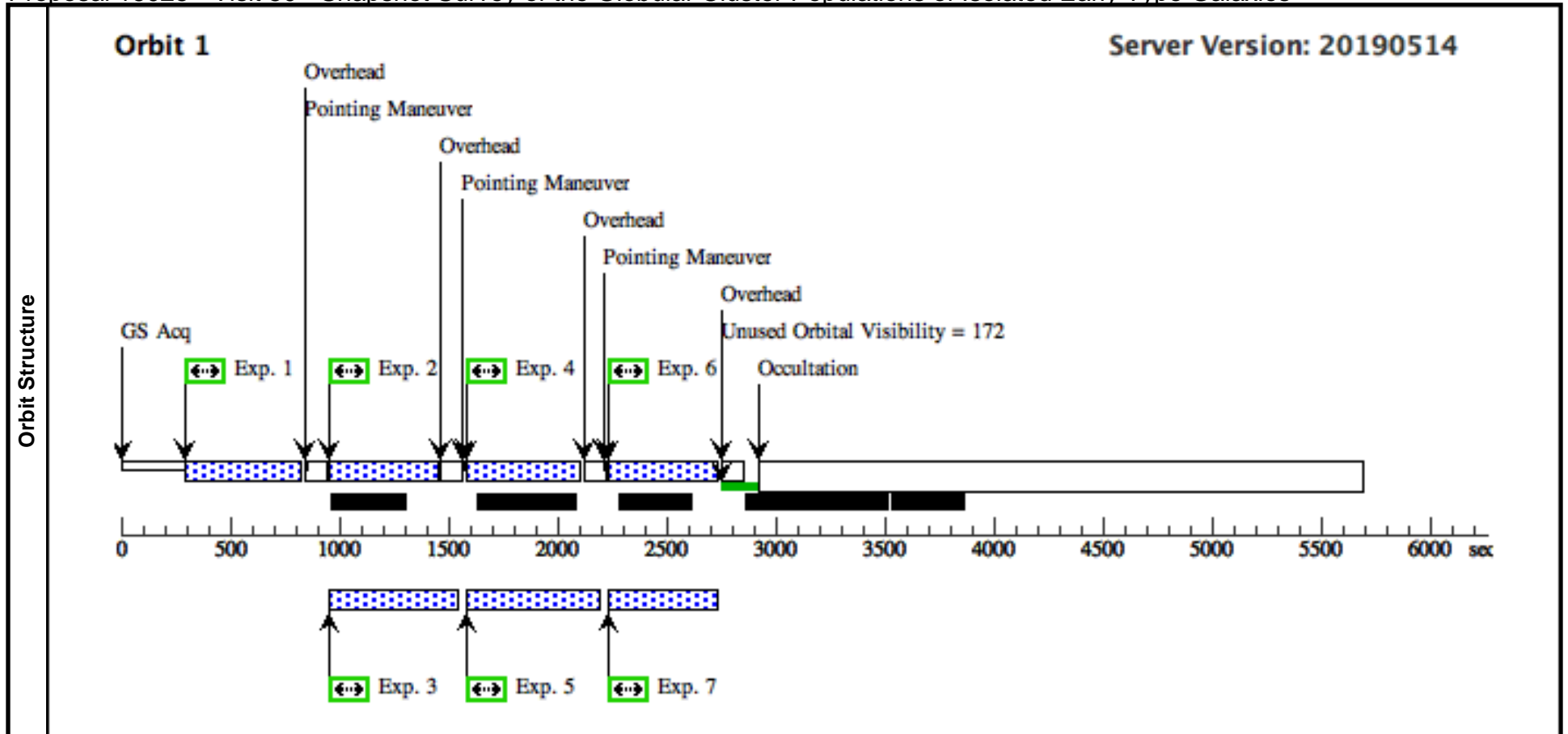
Visit	Proposal 16025, Visit 49, implementation Diagnostic Status: No Diagnostics Scientific Instruments: WFC3/UVIS, ACS/WFC Special Requirements: SCHED 100% Comments: <i>SNAPSHOT</i>									
	Fixed Targets	#	Name	Target Coordinates	Targ. Coord. Corrections	Fluxes	Miscellaneous			
	(49)	SDSS-J074834.64+444117.8	RA: 07 48 34.6402 (117.1443342d) Dec: +44 41 17.82 (44.68828d) Equinox: J2000		V=15.28 g-i = 1.25	Reference Frame: SDSS				
	Comments: Category= <i>GALAXY</i> Description= <i>[ELLIPTICAL, LENTICULAR]</i> Extended= <i>YES</i>									
Exposures	#	Label	Target	Config,Mode,Aperture	Spectral Els.	Opt. Params.	Special Reqs.	Groups	Exp. Time (Total)/[Actual Dur.]	Orbit
	1		(49) SDSS-J074834.64+444117.8	WFC3/UVIS, ACCUM, UVIS2-FIX	F600LP		POS TARG 0.0,20.0		500 Secs (500 Secs)	
									[==>]	[1]
	2		(49) SDSS-J074834.64+444117.8	WFC3/UVIS, ACCUM, UVIS2-FIX	F600LP		POS TARG 0.099,20.165	Prime + Parallel Group 2-3 in Visit 49	500 Secs (500 Secs)	
									[==>]	[1]
	3		ANY	ACS/WFC, ACCUM, WFC1A-2K	F475W			Prime + Parallel Group 2-3 in Visit 49	385 Secs (385 Secs)	
									[==>]	[1]
	4		(49) SDSS-J074834.64+444117.8	WFC3/UVIS, ACCUM, UVIS2-FIX	F350LP		POS TARG 0.158,20.070	Prime + Parallel Group 4-5 in Visit 49	500 Secs (500 Secs)	
								[==>]	[1]	
5		ANY	ACS/WFC, ACCUM, WFC	F814W			Prime + Parallel Group 4-5 in Visit 49	450 Secs (450 Secs)		
								[==>]	[1]	
6		(49) SDSS-J074834.64+444117.8	WFC3/UVIS, ACCUM, UVIS2-FIX	F350LP		POS TARG -0.060,20.095	Prime + Parallel Group 6-7 in Visit 49	500 Secs (500 Secs)		
								[==>]	[1]	
7		ANY	ACS/WFC, ACCUM, WFC	F475W			Prime + Parallel Group 6-7 in Visit 49	340 Secs (340 Secs)		
								[==>]	[1]	



Proposal 16025 - Visit 50 - Snapshot Survey of the Globular Cluster Populations of Isolated Early Type Galaxies

Thu Oct 03 22:01:14 GMT 2019

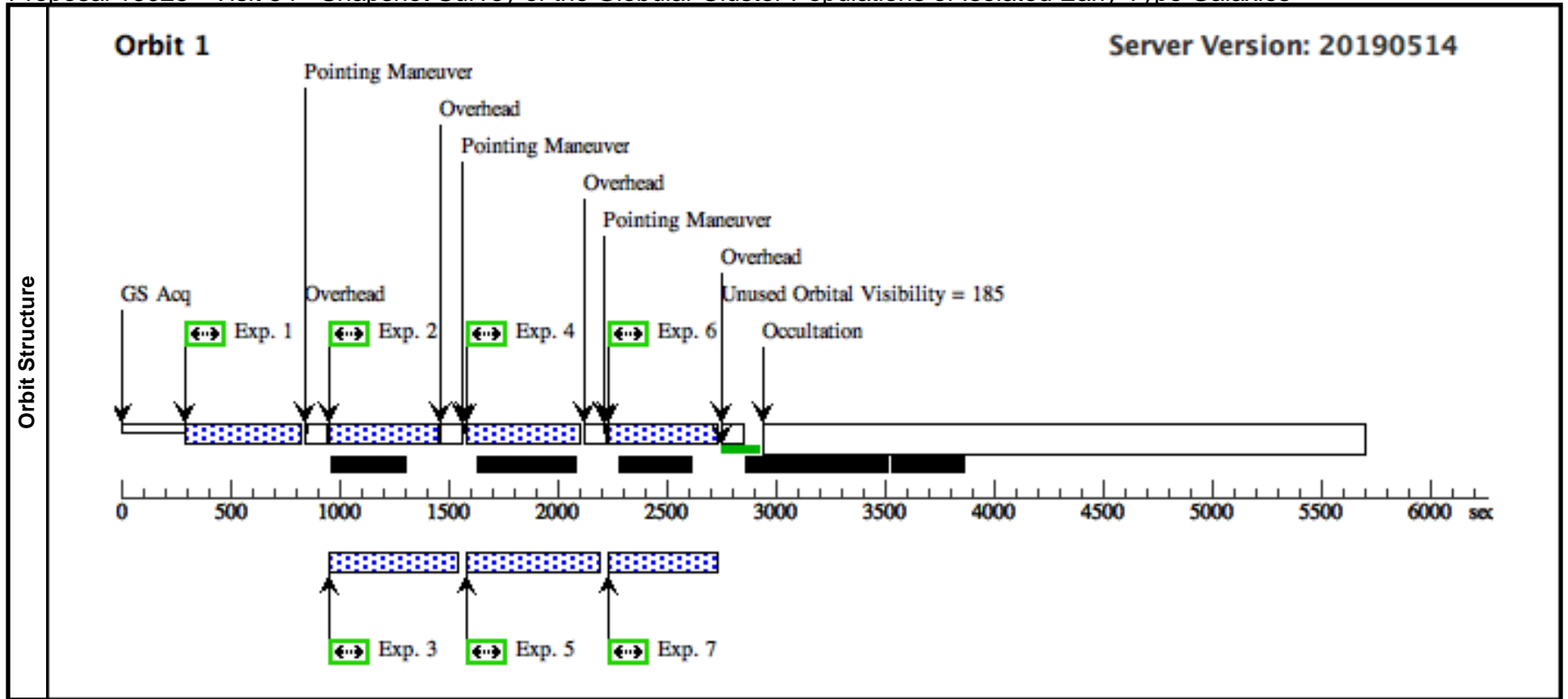
Visit	Proposal 16025, Visit 50, implementation Diagnostic Status: No Diagnostics Scientific Instruments: WFC3/UVIS, ACS/WFC Special Requirements: SCHED 100% Comments: <i>SNAPSHOT</i>																																																																																									
	Fixed Targets	<table border="1"> <thead> <tr> <th>#</th> <th>Name</th> <th>Target Coordinates</th> <th>Targ. Coord. Corrections</th> <th>Fluxes</th> <th>Miscellaneous</th> </tr> </thead> <tbody> <tr> <td>(50)</td> <td>SDSS-J085408.68+172547.9</td> <td>RA: 08 54 8.6827 (133.5361779d) Dec: +17 25 47.95 (17.42999d) Equinox: J2000</td> <td></td> <td>V=14.62 g-i = 1.19</td> <td>Reference Frame: SDSS</td> </tr> <tr> <td colspan="6"> Comments: Category=<i>GALAXY</i> Description=<i>[ELLIPTICAL, LENTICULAR]</i> Extended=<i>YES</i> </td> </tr> </tbody> </table>										#	Name	Target Coordinates	Targ. Coord. Corrections	Fluxes	Miscellaneous	(50)	SDSS-J085408.68+172547.9	RA: 08 54 8.6827 (133.5361779d) Dec: +17 25 47.95 (17.42999d) Equinox: J2000		V=14.62 g-i = 1.19	Reference Frame: SDSS	Comments: Category= <i>GALAXY</i> Description= <i>[ELLIPTICAL, LENTICULAR]</i> Extended= <i>YES</i>																																																																		
#	Name	Target Coordinates	Targ. Coord. Corrections	Fluxes	Miscellaneous																																																																																					
(50)	SDSS-J085408.68+172547.9	RA: 08 54 8.6827 (133.5361779d) Dec: +17 25 47.95 (17.42999d) Equinox: J2000		V=14.62 g-i = 1.19	Reference Frame: SDSS																																																																																					
Comments: Category= <i>GALAXY</i> Description= <i>[ELLIPTICAL, LENTICULAR]</i> Extended= <i>YES</i>																																																																																										
Exposures	<table border="1"> <thead> <tr> <th>#</th> <th>Label</th> <th>Target</th> <th>Config,Mode,Aperture</th> <th>Spectral Els.</th> <th>Opt. Params.</th> <th>Special Reqs.</th> <th>Groups</th> <th>Exp. Time (Total)/[Actual Dur.]</th> <th>Orbit</th> </tr> </thead> <tbody> <tr> <td>1</td> <td></td> <td>(50) SDSS-J085408.68+172547.9</td> <td>WFC3/UVIS, ACCUM, UVIS2-FIX</td> <td>F600LP</td> <td></td> <td>POS TARG 0.0,20.0</td> <td></td> <td>500 Secs (500 Secs) [==>]</td> <td>[1]</td> </tr> <tr> <td>2</td> <td></td> <td>(50) SDSS-J085408.68+172547.9</td> <td>WFC3/UVIS, ACCUM, UVIS2-FIX</td> <td>F600LP</td> <td></td> <td>POS TARG 0.099,20.165</td> <td>Prime + Parallel Group 2-3 in Visit 50</td> <td>500 Secs (500 Secs) [==>]</td> <td>[1]</td> </tr> <tr> <td>3</td> <td></td> <td>ANY</td> <td>ACS/WFC, ACCUM, WFC1A-2K</td> <td>F475W</td> <td></td> <td></td> <td>Prime + Parallel Group 2-3 in Visit 50</td> <td>385 Secs (385 Secs) [==>]</td> <td>[1]</td> </tr> <tr> <td>4</td> <td></td> <td>(50) SDSS-J085408.68+172547.9</td> <td>WFC3/UVIS, ACCUM, UVIS2-FIX</td> <td>F350LP</td> <td></td> <td>POS TARG 0.158,20.070</td> <td>Prime + Parallel Group 4-5 in Visit 50</td> <td>500 Secs (500 Secs) [==>]</td> <td>[1]</td> </tr> <tr> <td>5</td> <td></td> <td>ANY</td> <td>ACS/WFC, ACCUM, WFC</td> <td>F814W</td> <td></td> <td></td> <td>Prime + Parallel Group 4-5 in Visit 50</td> <td>450 Secs (450 Secs) [==>]</td> <td>[1]</td> </tr> <tr> <td>6</td> <td></td> <td>(50) SDSS-J085408.68+172547.9</td> <td>WFC3/UVIS, ACCUM, UVIS2-FIX</td> <td>F350LP</td> <td></td> <td>POS TARG -0.060,20.095</td> <td>Prime + Parallel Group 6-7 in Visit 50</td> <td>500 Secs (500 Secs) [==>]</td> <td>[1]</td> </tr> <tr> <td>7</td> <td></td> <td>ANY</td> <td>ACS/WFC, ACCUM, WFC</td> <td>F475W</td> <td></td> <td></td> <td>Prime + Parallel Group 6-7 in Visit 50</td> <td>340 Secs (340 Secs) [==>]</td> <td>[1]</td> </tr> </tbody> </table>										#	Label	Target	Config,Mode,Aperture	Spectral Els.	Opt. Params.	Special Reqs.	Groups	Exp. Time (Total)/[Actual Dur.]	Orbit	1		(50) SDSS-J085408.68+172547.9	WFC3/UVIS, ACCUM, UVIS2-FIX	F600LP		POS TARG 0.0,20.0		500 Secs (500 Secs) [==>]	[1]	2		(50) SDSS-J085408.68+172547.9	WFC3/UVIS, ACCUM, UVIS2-FIX	F600LP		POS TARG 0.099,20.165	Prime + Parallel Group 2-3 in Visit 50	500 Secs (500 Secs) [==>]	[1]	3		ANY	ACS/WFC, ACCUM, WFC1A-2K	F475W			Prime + Parallel Group 2-3 in Visit 50	385 Secs (385 Secs) [==>]	[1]	4		(50) SDSS-J085408.68+172547.9	WFC3/UVIS, ACCUM, UVIS2-FIX	F350LP		POS TARG 0.158,20.070	Prime + Parallel Group 4-5 in Visit 50	500 Secs (500 Secs) [==>]	[1]	5		ANY	ACS/WFC, ACCUM, WFC	F814W			Prime + Parallel Group 4-5 in Visit 50	450 Secs (450 Secs) [==>]	[1]	6		(50) SDSS-J085408.68+172547.9	WFC3/UVIS, ACCUM, UVIS2-FIX	F350LP		POS TARG -0.060,20.095	Prime + Parallel Group 6-7 in Visit 50	500 Secs (500 Secs) [==>]	[1]	7		ANY	ACS/WFC, ACCUM, WFC	F475W			Prime + Parallel Group 6-7 in Visit 50	340 Secs (340 Secs) [==>]	[1]
#	Label	Target	Config,Mode,Aperture	Spectral Els.	Opt. Params.	Special Reqs.	Groups	Exp. Time (Total)/[Actual Dur.]	Orbit																																																																																	
1		(50) SDSS-J085408.68+172547.9	WFC3/UVIS, ACCUM, UVIS2-FIX	F600LP		POS TARG 0.0,20.0		500 Secs (500 Secs) [==>]	[1]																																																																																	
2		(50) SDSS-J085408.68+172547.9	WFC3/UVIS, ACCUM, UVIS2-FIX	F600LP		POS TARG 0.099,20.165	Prime + Parallel Group 2-3 in Visit 50	500 Secs (500 Secs) [==>]	[1]																																																																																	
3		ANY	ACS/WFC, ACCUM, WFC1A-2K	F475W			Prime + Parallel Group 2-3 in Visit 50	385 Secs (385 Secs) [==>]	[1]																																																																																	
4		(50) SDSS-J085408.68+172547.9	WFC3/UVIS, ACCUM, UVIS2-FIX	F350LP		POS TARG 0.158,20.070	Prime + Parallel Group 4-5 in Visit 50	500 Secs (500 Secs) [==>]	[1]																																																																																	
5		ANY	ACS/WFC, ACCUM, WFC	F814W			Prime + Parallel Group 4-5 in Visit 50	450 Secs (450 Secs) [==>]	[1]																																																																																	
6		(50) SDSS-J085408.68+172547.9	WFC3/UVIS, ACCUM, UVIS2-FIX	F350LP		POS TARG -0.060,20.095	Prime + Parallel Group 6-7 in Visit 50	500 Secs (500 Secs) [==>]	[1]																																																																																	
7		ANY	ACS/WFC, ACCUM, WFC	F475W			Prime + Parallel Group 6-7 in Visit 50	340 Secs (340 Secs) [==>]	[1]																																																																																	



Proposal 16025 - Visit 54 - Snapshot Survey of the Globular Cluster Populations of Isolated Early Type Galaxies

Thu Oct 03 22:01:14 GMT 2019

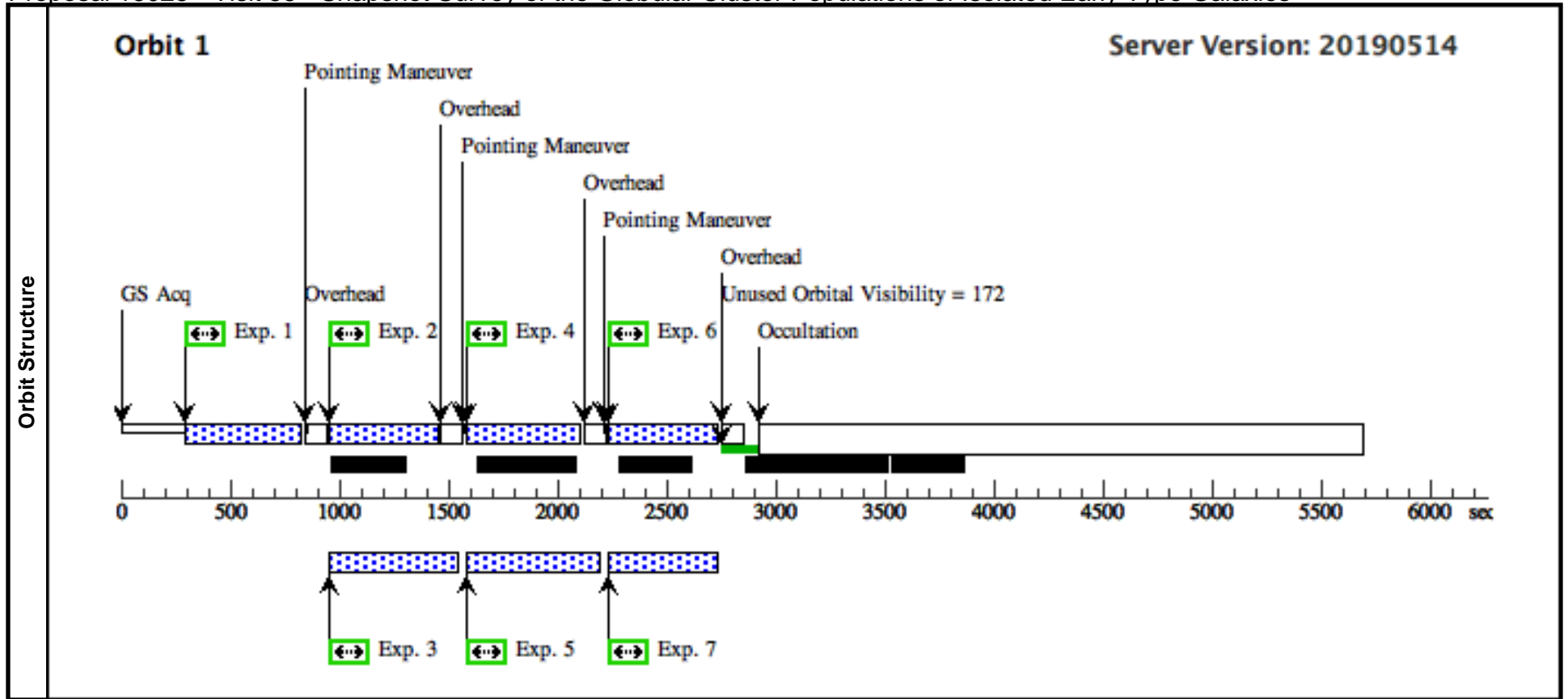
Visit	Proposal 16025, Visit 54, implementation Diagnostic Status: No Diagnostics Scientific Instruments: WFC3/UVIS, ACS/WFC Special Requirements: SCHED 100% Comments: <i>SNAPSHOT</i>									
	Fixed Targets	#	Name	Target Coordinates	Targ. Coord. Corrections	Fluxes	Miscellaneous			
	(54)	SDSS-J111602.59+534925.0	RA: 11 16 2.5995 (169.0108312d) Dec: +53 49 25.05 (53.82362d) Equinox: J2000		V=15.44 g-i = 1.20	Reference Frame: SDSS				
	Comments: Category=GALAXY Description=[ELLIPTICAL, LENTICULAR] Extended=YES									
Exposures	#	Label	Target	Config,Mode,Aperture	Spectral Els.	Opt. Params.	Special Reqs.	Groups	Exp. Time (Total)/[Actual Dur.]	Orbit
	1		(54) SDSS-J111602.59+534925.0	WFC3/UVIS, ACCUM, UVIS2-FIX	F600LP		POS TARG 0.0,15.0		500 Secs (500 Secs)	
									[==>]	[1]
	2		(54) SDSS-J111602.59+534925.0	WFC3/UVIS, ACCUM, UVIS2-FIX	F600LP		POS TARG 0.099,15.165	Prime + Parallel Group 2-3 in Visit 54	500 Secs (500 Secs)	
									[==>]	[1]
	3		ANY	ACS/WFC, ACCUM, WFC1A-2K	F475W			Prime + Parallel Group 2-3 in Visit 54	385 Secs (385 Secs)	
									[==>]	[1]
	4		(54) SDSS-J111602.59+534925.0	WFC3/UVIS, ACCUM, UVIS2-FIX	F350LP		POS TARG 0.158,15.070	Prime + Parallel Group 4-5 in Visit 54	500 Secs (500 Secs)	
								[==>]	[1]	
5		ANY	ACS/WFC, ACCUM, WFC	F814W			Prime + Parallel Group 4-5 in Visit 54	450 Secs (450 Secs)		
								[==>]	[1]	
6		(54) SDSS-J111602.59+534925.0	WFC3/UVIS, ACCUM, UVIS2-FIX	F350LP		POS TARG -0.060,15.095	Prime + Parallel Group 6-7 in Visit 54	500 Secs (500 Secs)		
								[==>]	[1]	
7		ANY	ACS/WFC, ACCUM, WFC	F475W			Prime + Parallel Group 6-7 in Visit 54	340 Secs (340 Secs)		
								[==>]	[1]	



Proposal 16025 - Visit 55 - Snapshot Survey of the Globular Cluster Populations of Isolated Early Type Galaxies

Thu Oct 03 22:01:14 GMT 2019

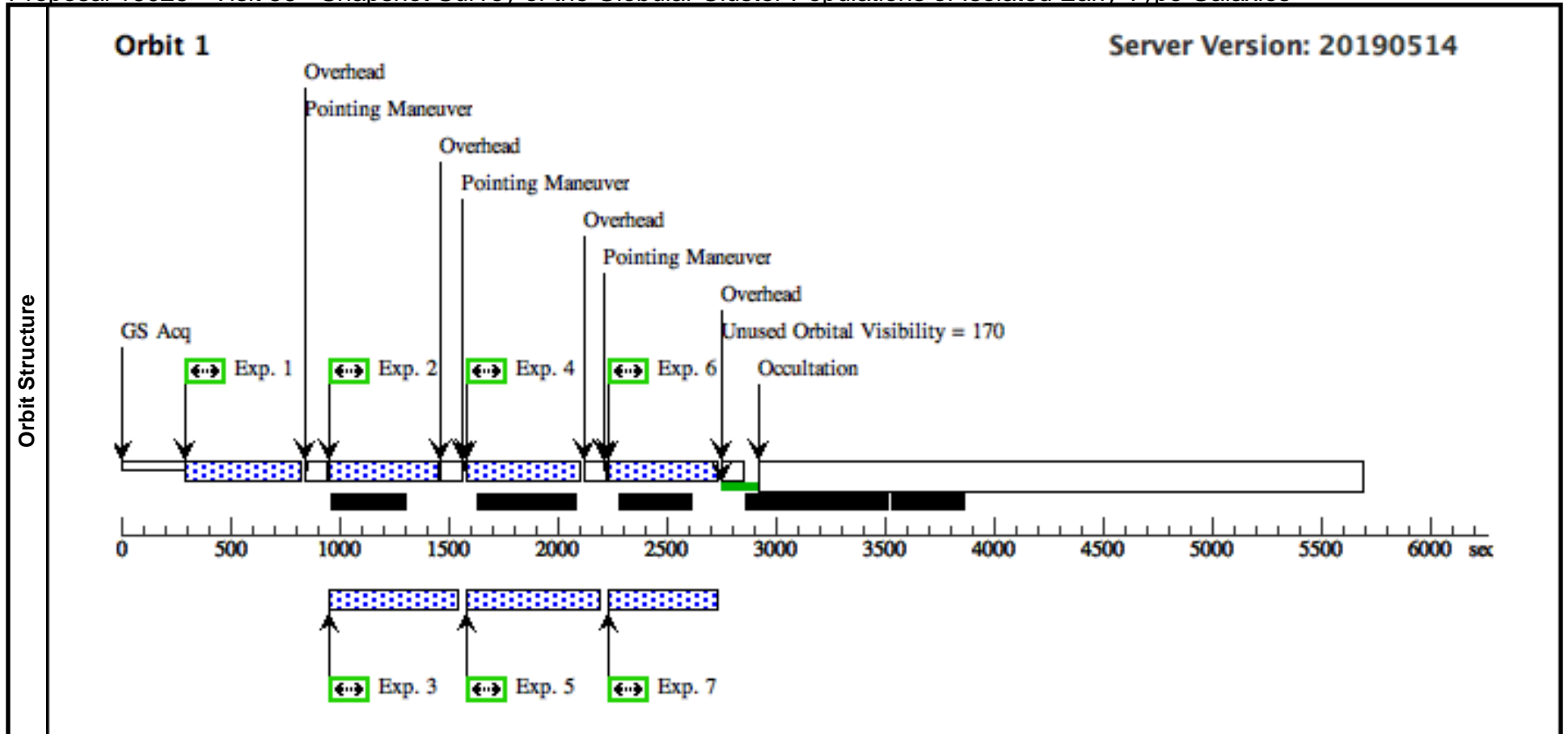
Visit	Proposal 16025, Visit 55, implementation Diagnostic Status: No Diagnostics Scientific Instruments: WFC3/UVIS, ACS/WFC Special Requirements: SCHED 100% Comments: <i>SNAPSHOT</i>									
	Fixed Targets	#	Name	Target Coordinates	Targ. Coord. Corrections	Fluxes	Miscellaneous			
	(55)	SDSS-J101040.31+242450.9	RA: 10 10 40.3159 (152.6679829d) Dec: +24 24 50.92 (24.41414d) Equinox: J2000		V=14.48 g-i = 1.02	Reference Frame: SDSS				
	Comments: Category=GALAXY Description=[ELLIPTICAL, LENTICULAR] Extended=YES									
Exposures	#	Label	Target	Config,Mode,Aperture	Spectral Els.	Opt. Params.	Special Reqs.	Groups	Exp. Time (Total)/[Actual Dur.]	Orbit
	1		(55) SDSS-J101040.31+242450.9	WFC3/UVIS, ACCUM, UVIS2-FIX	F600LP		POS TARG 0.0,30.0		500 Secs (500 Secs)	
									[==>]	[1]
	2		(55) SDSS-J101040.31+242450.9	WFC3/UVIS, ACCUM, UVIS2-FIX	F600LP		POS TARG 0.099,30.165	Prime + Parallel Group 2-3 in Visit 55	500 Secs (500 Secs)	
									[==>]	[1]
	3		ANY	ACS/WFC, ACCUM, WFC1A-2K	F475W			Prime + Parallel Group 2-3 in Visit 55	385 Secs (385 Secs)	
									[==>]	[1]
	4		(55) SDSS-J101040.31+242450.9	WFC3/UVIS, ACCUM, UVIS2-FIX	F350LP		POS TARG 0.158,30.070	Prime + Parallel Group 4-5 in Visit 55	500 Secs (500 Secs)	
								[==>]	[1]	
5		ANY	ACS/WFC, ACCUM, WFC	F814W			Prime + Parallel Group 4-5 in Visit 55	450 Secs (450 Secs)		
								[==>]	[1]	
6		(55) SDSS-J101040.31+242450.9	WFC3/UVIS, ACCUM, UVIS2-FIX	F350LP		POS TARG -0.060,30.095	Prime + Parallel Group 6-7 in Visit 55	500 Secs (500 Secs)		
								[==>]	[1]	
7		ANY	ACS/WFC, ACCUM, WFC	F475W			Prime + Parallel Group 6-7 in Visit 55	340 Secs (340 Secs)		
								[==>]	[1]	



Proposal 16025 - Visit 56 - Snapshot Survey of the Globular Cluster Populations of Isolated Early Type Galaxies

Thu Oct 03 22:01:14 GMT 2019

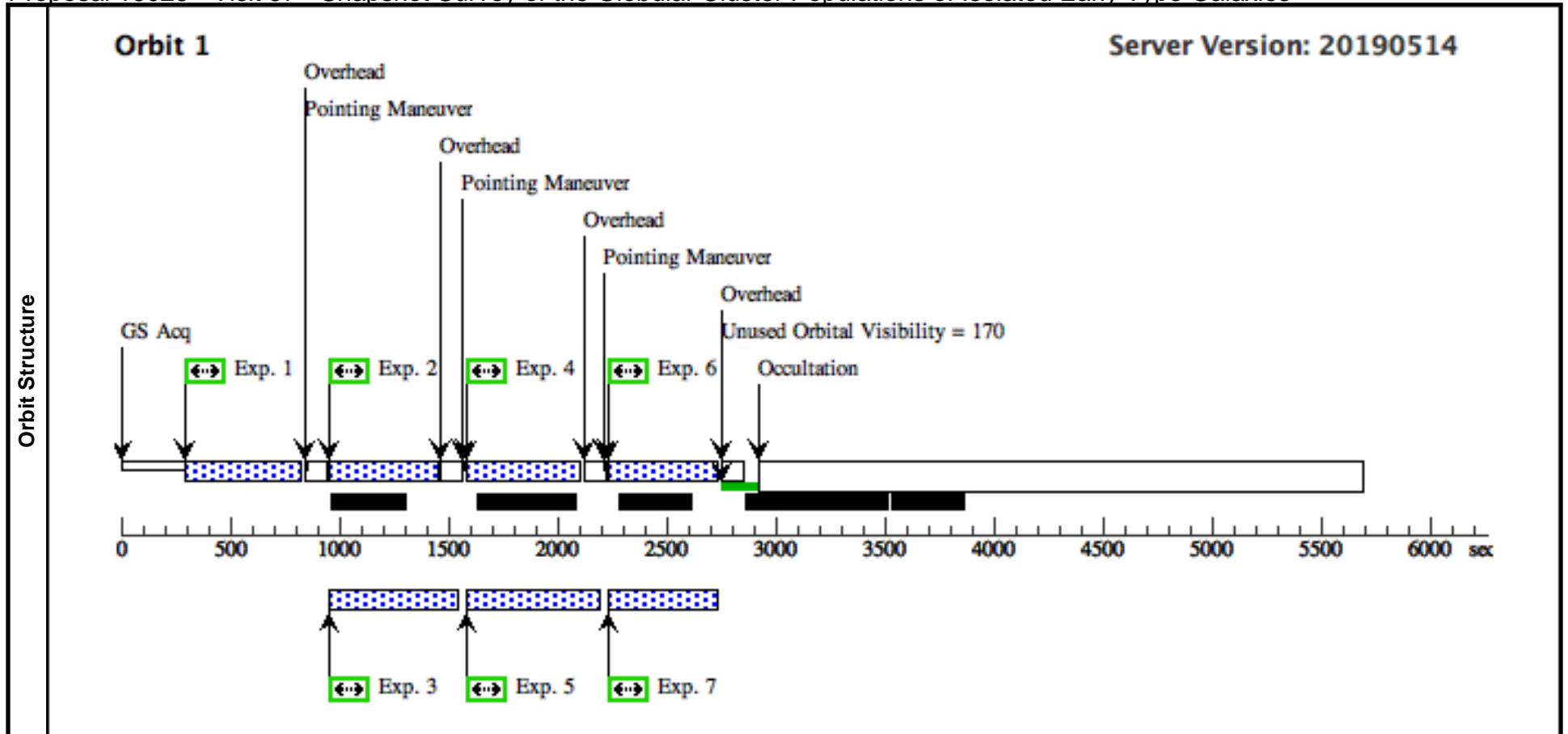
Visit	Proposal 16025, Visit 56, implementation Diagnostic Status: No Diagnostics Scientific Instruments: WFC3/UVIS, ACS/WFC Special Requirements: SCHED 100% Comments: <i>SNAPSHOT</i>									
	Fixed Targets	#	Name	Target Coordinates	Targ. Coord. Corrections	Fluxes	Miscellaneous			
	(56)	SDSS-J110916.08+360115.9	RA: 11 09 16.0820 (167.3170083d) Dec: +36 01 15.90 (36.02108d) Equinox: J2000		V=13.89 g-i = 1.27	Reference Frame: SDSS				
	Comments: Category= <i>GALAXY</i> Description= <i>[ELLIPTICAL, LENTICULAR]</i> Extended= <i>YES</i>									
Exposures	#	Label	Target	Config,Mode,Aperture	Spectral Els.	Opt. Params.	Special Reqs.	Groups	Exp. Time (Total)/[Actual Dur.]	Orbit
	1		(56) SDSS-J110916.08+360115.9	WFC3/UVIS, ACCUM, UVIS2-FIX	F600LP		POS TARG 0.0,30.0		500 Secs (500 Secs)	
									[==>]	[1]
	2		(56) SDSS-J110916.08+360115.9	WFC3/UVIS, ACCUM, UVIS2-FIX	F600LP		POS TARG 0.099,30.165	Prime + Parallel Group 2-3 in Visit 56	500 Secs (500 Secs)	
									[==>]	[1]
	3		ANY	ACS/WFC, ACCUM, WFC1A-2K	F475W			Prime + Parallel Group 2-3 in Visit 56	385 Secs (385 Secs)	
									[==>]	[1]
	4		(56) SDSS-J110916.08+360115.9	WFC3/UVIS, ACCUM, UVIS2-FIX	F350LP		POS TARG 0.158,30.070	Prime + Parallel Group 4-5 in Visit 56	500 Secs (500 Secs)	
								[==>]	[1]	
5		ANY	ACS/WFC, ACCUM, WFC	F814W			Prime + Parallel Group 4-5 in Visit 56	450 Secs (450 Secs)		
								[==>]	[1]	
6		(56) SDSS-J110916.08+360115.9	WFC3/UVIS, ACCUM, UVIS2-FIX	F350LP		POS TARG -0.060,30.095	Prime + Parallel Group 6-7 in Visit 56	500 Secs (500 Secs)		
								[==>]	[1]	
7		ANY	ACS/WFC, ACCUM, WFC	F475W			Prime + Parallel Group 6-7 in Visit 56	340 Secs (340 Secs)		
								[==>]	[1]	



Proposal 16025 - Visit 57 - Snapshot Survey of the Globular Cluster Populations of Isolated Early Type Galaxies

Thu Oct 03 22:01:14 GMT 2019

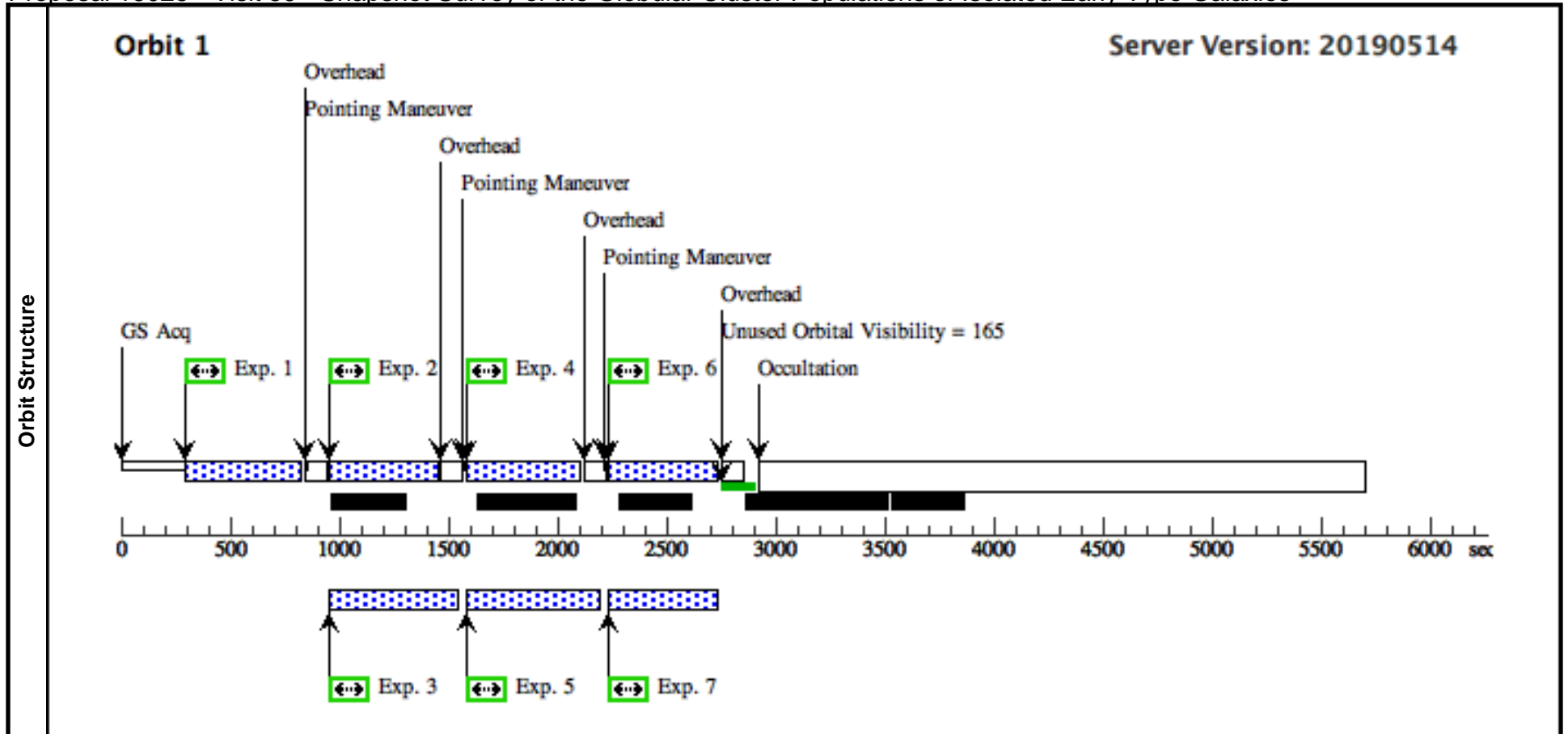
Visit	Proposal 16025, Visit 57, implementation Diagnostic Status: No Diagnostics Scientific Instruments: WFC3/UVIS, ACS/WFC Special Requirements: SCHED 100% Comments: <i>SNAPSHOT</i>									
	Fixed Targets	#	Name	Target Coordinates	Targ. Coord. Corrections	Fluxes	Miscellaneous			
	(57)	SDSS-J104148.63+302311.4	RA: 10 41 48.6381 (160.4526588d) Dec: +30 23 11.47 (30.38652d) Equinox: J2000		V=15.74 g-i = 1.18	Reference Frame: SDSS				
	Comments: Category=GALAXY Description=[ELLIPTICAL, LENTICULAR] Extended=YES									
Exposures	#	Label	Target	Config,Mode,Aperture	Spectral Els.	Opt. Params.	Special Reqs.	Groups	Exp. Time (Total)/[Actual Dur.]	Orbit
	1		(57) SDSS-J104148.63+302311.4	WFC3/UVIS, ACCUM, UVIS2-FIX	F600LP		POS TARG 0.0,10.0		500 Secs (500 Secs)	
									[==>]	[1]
	2		(57) SDSS-J104148.63+302311.4	WFC3/UVIS, ACCUM, UVIS2-FIX	F600LP		POS TARG 0.099,10.165	Prime + Parallel Group 2-3 in Visit 57	500 Secs (500 Secs)	
									[==>]	[1]
	3		ANY	ACS/WFC, ACCUM, WFC1A-2K	F475W			Prime + Parallel Group 2-3 in Visit 57	385 Secs (385 Secs)	
									[==>]	[1]
	4		(57) SDSS-J104148.63+302311.4	WFC3/UVIS, ACCUM, UVIS2-FIX	F350LP		POS TARG 0.158,10.070	Prime + Parallel Group 4-5 in Visit 57	500 Secs (500 Secs)	
								[==>]	[1]	
5		ANY	ACS/WFC, ACCUM, WFC	F814W			Prime + Parallel Group 4-5 in Visit 57	450 Secs (450 Secs)		
								[==>]	[1]	
6		(57) SDSS-J104148.63+302311.4	WFC3/UVIS, ACCUM, UVIS2-FIX	F350LP		POS TARG -0.060,10.095	Prime + Parallel Group 6-7 in Visit 57	500 Secs (500 Secs)		
								[==>]	[1]	
7		ANY	ACS/WFC, ACCUM, WFC	F475W			Prime + Parallel Group 6-7 in Visit 57	340 Secs (340 Secs)		
								[==>]	[1]	



Proposal 16025 - Visit 59 - Snapshot Survey of the Globular Cluster Populations of Isolated Early Type Galaxies

Thu Oct 03 22:01:14 GMT 2019

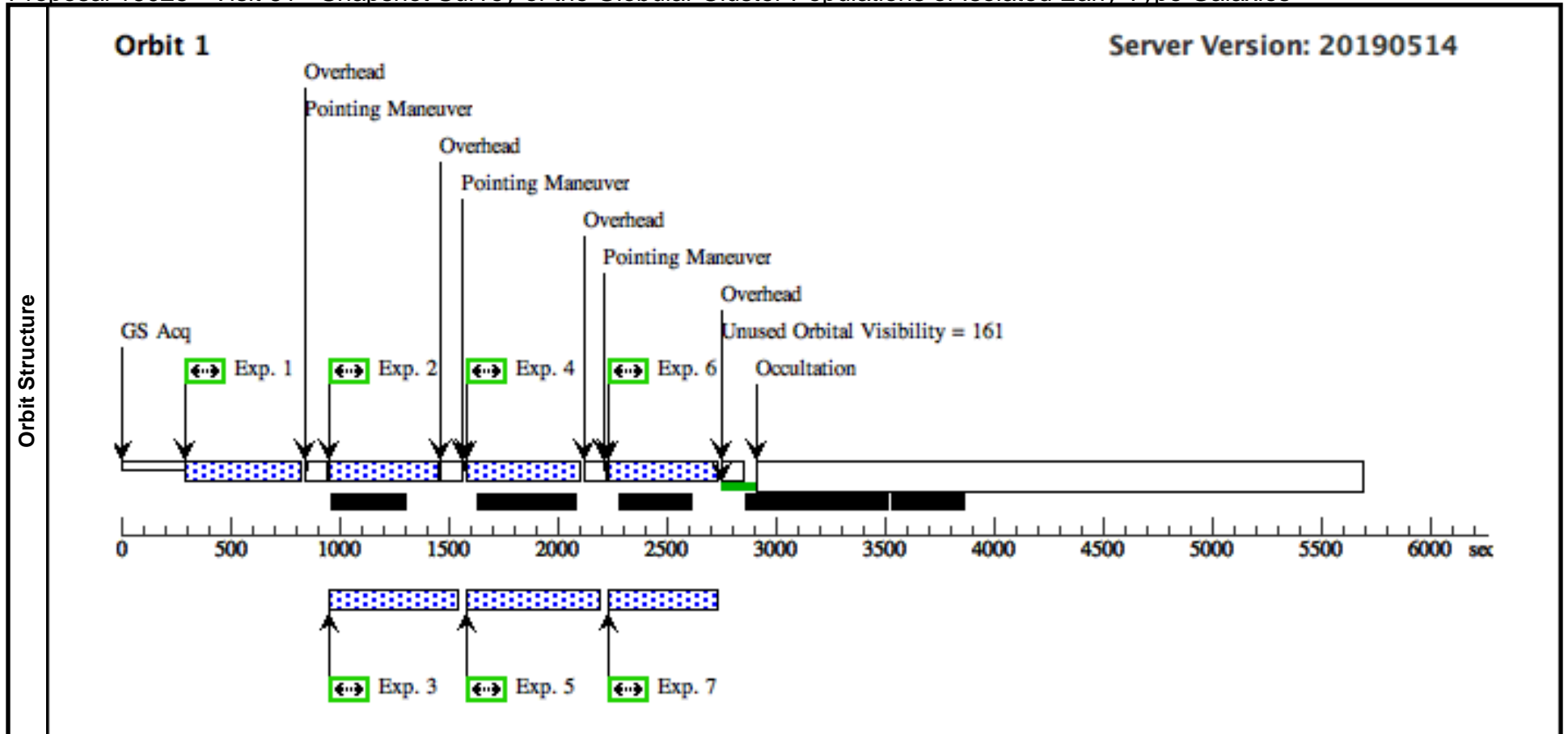
Visit	Proposal 16025, Visit 59, implementation Diagnostic Status: No Diagnostics Scientific Instruments: WFC3/UVIS, ACS/WFC Special Requirements: SCHED 100% Comments: <i>SNAPSHOT</i>									
	Fixed Targets	#	Name	Target Coordinates	Targ. Coord. Corrections	Fluxes	Miscellaneous			
	(59)	SDSS-J124323.92+063957.2	RA: 12 43 23.9277 (190.8496988d) Dec: +06 39 57.20 (6.66589d) Equinox: J2000		V=15.74 g-i = 1.16	Reference Frame: SDSS				
	Comments: Category=GALAXY Description=[ELLIPTICAL, LENTICULAR] Extended=YES									
Exposures	#	Label	Target	Config,Mode,Aperture	Spectral Els.	Opt. Params.	Special Reqs.	Groups	Exp. Time (Total)/[Actual Dur.]	Orbit
	1		(59) SDSS-J124323.92+063957.2	WFC3/UVIS, ACCUM, UVIS2-FIX	F600LP		POS TARG 0.0,10.0		500 Secs (500 Secs)	
									[==>]	[1]
	2		(59) SDSS-J124323.92+063957.2	WFC3/UVIS, ACCUM, UVIS2-FIX	F600LP		POS TARG 0.099,10.165	Prime + Parallel Group 2-3 in Visit 59	500 Secs (500 Secs)	
									[==>]	[1]
	3		ANY	ACS/WFC, ACCUM, WFC1A-2K	F475W			Prime + Parallel Group 2-3 in Visit 59	385 Secs (385 Secs)	
									[==>]	[1]
	4		(59) SDSS-J124323.92+063957.2	WFC3/UVIS, ACCUM, UVIS2-FIX	F350LP		POS TARG 0.158,10.070	Prime + Parallel Group 4-5 in Visit 59	500 Secs (500 Secs)	
								[==>]	[1]	
5		ANY	ACS/WFC, ACCUM, WFC	F814W			Prime + Parallel Group 4-5 in Visit 59	450 Secs (450 Secs)		
								[==>]	[1]	
6		(59) SDSS-J124323.92+063957.2	WFC3/UVIS, ACCUM, UVIS2-FIX	F350LP		POS TARG -0.060,10.095	Prime + Parallel Group 6-7 in Visit 59	500 Secs (500 Secs)		
								[==>]	[1]	
7		ANY	ACS/WFC, ACCUM, WFC	F475W			Prime + Parallel Group 6-7 in Visit 59	340 Secs (340 Secs)		
								[==>]	[1]	



Proposal 16025 - Visit 61 - Snapshot Survey of the Globular Cluster Populations of Isolated Early Type Galaxies

Thu Oct 03 22:01:14 GMT 2019

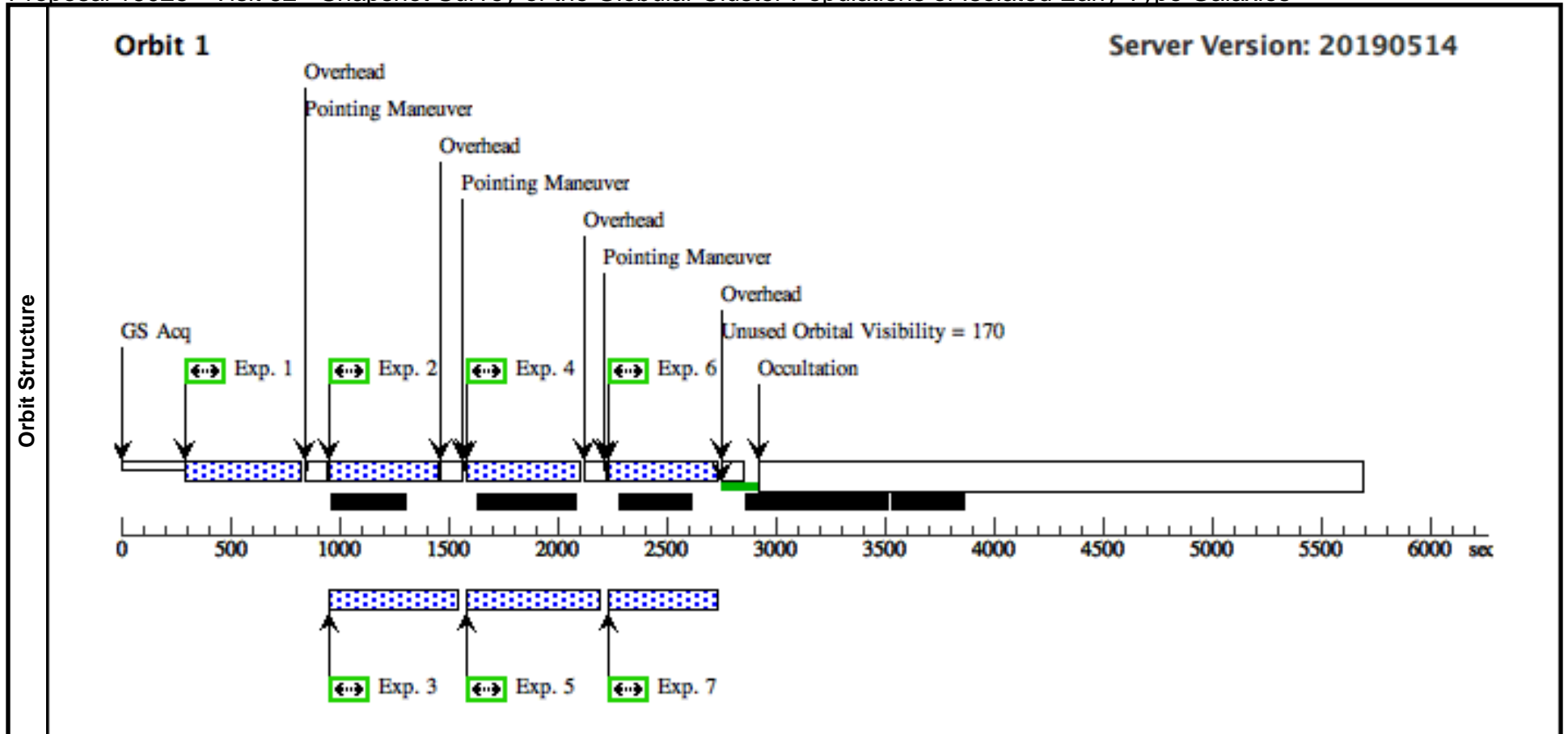
Visit	Proposal 16025, Visit 61, implementation Diagnostic Status: No Diagnostics Scientific Instruments: WFC3/UVIS, ACS/WFC Special Requirements: SCHED 100% Comments: <i>SNAPSHOT</i>									
	Fixed Targets	#	Name	Target Coordinates	Targ. Coord. Corrections	Fluxes	Miscellaneous			
	(61)	SDSS-J105535.90+042239.1	RA: 10 55 35.9035 (163.8995979d) Dec: +04 22 39.18 (4.37755d) Equinox: J2000		V=14.62 g-i = 1.25	Reference Frame: SDSS				
	Comments: Category= <i>GALAXY</i> Description= <i>[ELLIPTICAL, LENTICULAR]</i> Extended= <i>YES</i>									
Exposures	#	Label	Target	Config,Mode,Aperture	Spectral Els.	Opt. Params.	Special Reqs.	Groups	Exp. Time (Total)/[Actual Dur.]	Orbit
	1		(61) SDSS-J105535.90+042239.1	WFC3/UVIS, ACCUM, UVIS2-FIX	F600LP		POS TARG 0.0,30.0		500 Secs (500 Secs)	
									[==>]	[1]
	2		(61) SDSS-J105535.90+042239.1	WFC3/UVIS, ACCUM, UVIS2-FIX	F600LP		POS TARG 0.099,30.165	Prime + Parallel Group 2-3 in Visit 61	500 Secs (500 Secs)	
									[==>]	[1]
	3		ANY	ACS/WFC, ACCUM, WFC1A-2K	F475W			Prime + Parallel Group 2-3 in Visit 61	385 Secs (385 Secs)	
									[==>]	[1]
	4		(61) SDSS-J105535.90+042239.1	WFC3/UVIS, ACCUM, UVIS2-FIX	F350LP		POS TARG 0.158,30.070	Prime + Parallel Group 4-5 in Visit 61	500 Secs (500 Secs)	
								[==>]	[1]	
5		ANY	ACS/WFC, ACCUM, WFC	F814W			Prime + Parallel Group 4-5 in Visit 61	450 Secs (450 Secs)		
								[==>]	[1]	
6		(61) SDSS-J105535.90+042239.1	WFC3/UVIS, ACCUM, UVIS2-FIX	F350LP		POS TARG -0.060,30.095	Prime + Parallel Group 6-7 in Visit 61	500 Secs (500 Secs)		
								[==>]	[1]	
7		ANY	ACS/WFC, ACCUM, WFC	F475W			Prime + Parallel Group 6-7 in Visit 61	340 Secs (340 Secs)		
								[==>]	[1]	



Proposal 16025 - Visit 62 - Snapshot Survey of the Globular Cluster Populations of Isolated Early Type Galaxies

Thu Oct 03 22:01:14 GMT 2019

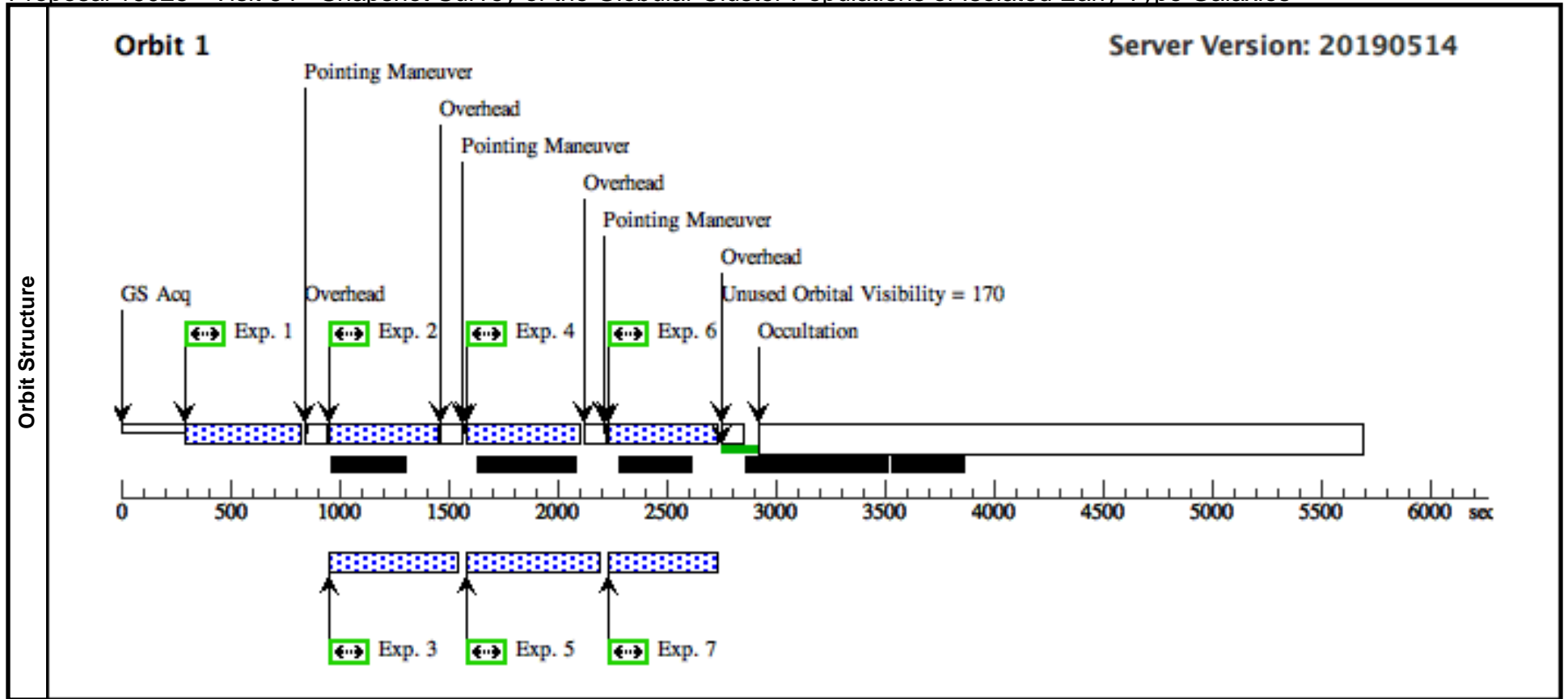
Visit	Proposal 16025, Visit 62, implementation Diagnostic Status: No Diagnostics Scientific Instruments: WFC3/UVIS, ACS/WFC Special Requirements: SCHED 100% Comments: <i>SNAPSHOT</i>																																																																																									
	Fixed Targets	<table border="1"> <thead> <tr> <th>#</th> <th>Name</th> <th>Target Coordinates</th> <th>Targ. Coord. Corrections</th> <th>Fluxes</th> <th>Miscellaneous</th> </tr> </thead> <tbody> <tr> <td>(62)</td> <td>SDSS-J094431.09+324845.4</td> <td>RA: 09 44 31.0921 (146.1295504d) Dec: +32 48 45.50 (32.81264d) Equinox: J2000</td> <td></td> <td>V=14.58 g-i = 1.24</td> <td>Reference Frame: SDSS</td> </tr> <tr> <td colspan="6"> Comments: Category=GALAXY Description=[ELLIPTICAL, LENTICULAR] Extended=YES </td> </tr> </tbody> </table>										#	Name	Target Coordinates	Targ. Coord. Corrections	Fluxes	Miscellaneous	(62)	SDSS-J094431.09+324845.4	RA: 09 44 31.0921 (146.1295504d) Dec: +32 48 45.50 (32.81264d) Equinox: J2000		V=14.58 g-i = 1.24	Reference Frame: SDSS	Comments: Category=GALAXY Description=[ELLIPTICAL, LENTICULAR] Extended=YES																																																																		
#	Name	Target Coordinates	Targ. Coord. Corrections	Fluxes	Miscellaneous																																																																																					
(62)	SDSS-J094431.09+324845.4	RA: 09 44 31.0921 (146.1295504d) Dec: +32 48 45.50 (32.81264d) Equinox: J2000		V=14.58 g-i = 1.24	Reference Frame: SDSS																																																																																					
Comments: Category=GALAXY Description=[ELLIPTICAL, LENTICULAR] Extended=YES																																																																																										
Exposures	<table border="1"> <thead> <tr> <th>#</th> <th>Label</th> <th>Target</th> <th>Config,Mode,Aperture</th> <th>Spectral Els.</th> <th>Opt. Params.</th> <th>Special Reqs.</th> <th>Groups</th> <th>Exp. Time (Total)/[Actual Dur.]</th> <th>Orbit</th> </tr> </thead> <tbody> <tr> <td>1</td> <td></td> <td>(62) SDSS-J094431.09+324845.4</td> <td>WFC3/UVIS, ACCUM, UVIS2-FIX</td> <td>F600LP</td> <td></td> <td>POS TARG 0.0,20.0</td> <td></td> <td>500 Secs (500 Secs) [==>]</td> <td>[1]</td> </tr> <tr> <td>2</td> <td></td> <td>(62) SDSS-J094431.09+324845.4</td> <td>WFC3/UVIS, ACCUM, UVIS2-FIX</td> <td>F600LP</td> <td></td> <td>POS TARG 0.099,20.165</td> <td>Prime + Parallel Group 2-3 in Visit 62</td> <td>500 Secs (500 Secs) [==>]</td> <td>[1]</td> </tr> <tr> <td>3</td> <td></td> <td>ANY</td> <td>ACS/WFC, ACCUM, WFC1A-2K</td> <td>F475W</td> <td></td> <td></td> <td>Prime + Parallel Group 2-3 in Visit 62</td> <td>385 Secs (385 Secs) [==>]</td> <td>[1]</td> </tr> <tr> <td>4</td> <td></td> <td>(62) SDSS-J094431.09+324845.4</td> <td>WFC3/UVIS, ACCUM, UVIS2-FIX</td> <td>F350LP</td> <td></td> <td>POS TARG 0.158,20.070</td> <td>Prime + Parallel Group 4-5 in Visit 62</td> <td>500 Secs (500 Secs) [==>]</td> <td>[1]</td> </tr> <tr> <td>5</td> <td></td> <td>ANY</td> <td>ACS/WFC, ACCUM, WFC</td> <td>F814W</td> <td></td> <td></td> <td>Prime + Parallel Group 4-5 in Visit 62</td> <td>450 Secs (450 Secs) [==>]</td> <td>[1]</td> </tr> <tr> <td>6</td> <td></td> <td>(62) SDSS-J094431.09+324845.4</td> <td>WFC3/UVIS, ACCUM, UVIS2-FIX</td> <td>F350LP</td> <td></td> <td>POS TARG -0.060,20.095</td> <td>Prime + Parallel Group 6-7 in Visit 62</td> <td>500 Secs (500 Secs) [==>]</td> <td>[1]</td> </tr> <tr> <td>7</td> <td></td> <td>ANY</td> <td>ACS/WFC, ACCUM, WFC</td> <td>F475W</td> <td></td> <td></td> <td>Prime + Parallel Group 6-7 in Visit 62</td> <td>340 Secs (340 Secs) [==>]</td> <td>[1]</td> </tr> </tbody> </table>										#	Label	Target	Config,Mode,Aperture	Spectral Els.	Opt. Params.	Special Reqs.	Groups	Exp. Time (Total)/[Actual Dur.]	Orbit	1		(62) SDSS-J094431.09+324845.4	WFC3/UVIS, ACCUM, UVIS2-FIX	F600LP		POS TARG 0.0,20.0		500 Secs (500 Secs) [==>]	[1]	2		(62) SDSS-J094431.09+324845.4	WFC3/UVIS, ACCUM, UVIS2-FIX	F600LP		POS TARG 0.099,20.165	Prime + Parallel Group 2-3 in Visit 62	500 Secs (500 Secs) [==>]	[1]	3		ANY	ACS/WFC, ACCUM, WFC1A-2K	F475W			Prime + Parallel Group 2-3 in Visit 62	385 Secs (385 Secs) [==>]	[1]	4		(62) SDSS-J094431.09+324845.4	WFC3/UVIS, ACCUM, UVIS2-FIX	F350LP		POS TARG 0.158,20.070	Prime + Parallel Group 4-5 in Visit 62	500 Secs (500 Secs) [==>]	[1]	5		ANY	ACS/WFC, ACCUM, WFC	F814W			Prime + Parallel Group 4-5 in Visit 62	450 Secs (450 Secs) [==>]	[1]	6		(62) SDSS-J094431.09+324845.4	WFC3/UVIS, ACCUM, UVIS2-FIX	F350LP		POS TARG -0.060,20.095	Prime + Parallel Group 6-7 in Visit 62	500 Secs (500 Secs) [==>]	[1]	7		ANY	ACS/WFC, ACCUM, WFC	F475W			Prime + Parallel Group 6-7 in Visit 62	340 Secs (340 Secs) [==>]	[1]
#	Label	Target	Config,Mode,Aperture	Spectral Els.	Opt. Params.	Special Reqs.	Groups	Exp. Time (Total)/[Actual Dur.]	Orbit																																																																																	
1		(62) SDSS-J094431.09+324845.4	WFC3/UVIS, ACCUM, UVIS2-FIX	F600LP		POS TARG 0.0,20.0		500 Secs (500 Secs) [==>]	[1]																																																																																	
2		(62) SDSS-J094431.09+324845.4	WFC3/UVIS, ACCUM, UVIS2-FIX	F600LP		POS TARG 0.099,20.165	Prime + Parallel Group 2-3 in Visit 62	500 Secs (500 Secs) [==>]	[1]																																																																																	
3		ANY	ACS/WFC, ACCUM, WFC1A-2K	F475W			Prime + Parallel Group 2-3 in Visit 62	385 Secs (385 Secs) [==>]	[1]																																																																																	
4		(62) SDSS-J094431.09+324845.4	WFC3/UVIS, ACCUM, UVIS2-FIX	F350LP		POS TARG 0.158,20.070	Prime + Parallel Group 4-5 in Visit 62	500 Secs (500 Secs) [==>]	[1]																																																																																	
5		ANY	ACS/WFC, ACCUM, WFC	F814W			Prime + Parallel Group 4-5 in Visit 62	450 Secs (450 Secs) [==>]	[1]																																																																																	
6		(62) SDSS-J094431.09+324845.4	WFC3/UVIS, ACCUM, UVIS2-FIX	F350LP		POS TARG -0.060,20.095	Prime + Parallel Group 6-7 in Visit 62	500 Secs (500 Secs) [==>]	[1]																																																																																	
7		ANY	ACS/WFC, ACCUM, WFC	F475W			Prime + Parallel Group 6-7 in Visit 62	340 Secs (340 Secs) [==>]	[1]																																																																																	



Proposal 16025 - Visit 64 - Snapshot Survey of the Globular Cluster Populations of Isolated Early Type Galaxies

Thu Oct 03 22:01:15 GMT 2019

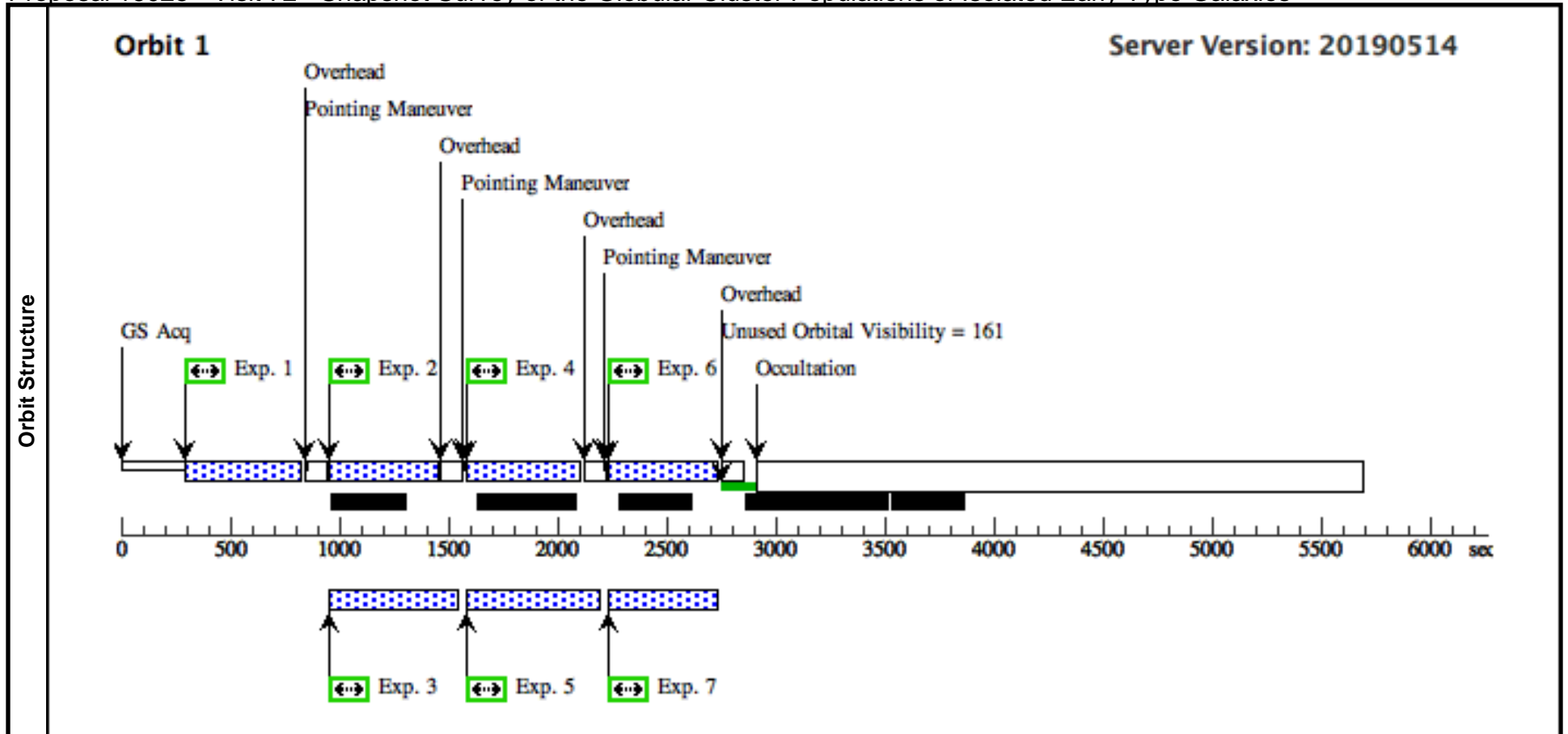
Visit	Proposal 16025, Visit 64, implementation Diagnostic Status: No Diagnostics Scientific Instruments: WFC3/UVIS, ACS/WFC Special Requirements: SCHED 100% Comments: <i>SNAPSHOT</i>									
	Fixed Targets	#	Name	Target Coordinates	Targ. Coord. Corrections	Fluxes	Miscellaneous			
	(64)	SDSS-J142416.30+333645.2	RA: 14 24 16.3046 (216.0679358d) Dec: +33 36 45.28 (33.61258d) Equinox: J2000		V=15.21 g-i = 1.27	Reference Frame: SDSS				
	Comments: Category= <i>GALAXY</i> Description= <i>[ELLIPTICAL, LENTICULAR]</i> Extended= <i>YES</i>									
Exposures	#	Label	Target	Config,Mode,Aperture	Spectral Els.	Opt. Params.	Special Reqs.	Groups	Exp. Time (Total)/[Actual Dur.]	Orbit
	1		(64) SDSS-J142416.30+333645.2	WFC3/UVIS, ACCUM, UVIS2-FIX	F600LP		POS TARG 0.0,15.0		500 Secs (500 Secs)	
									[==>]	[1]
	2		(64) SDSS-J142416.30+333645.2	WFC3/UVIS, ACCUM, UVIS2-FIX	F600LP		POS TARG 0.099,15.165	Prime + Parallel Group 2-3 in Visit 64	500 Secs (500 Secs)	
									[==>]	[1]
	3		ANY	ACS/WFC, ACCUM, WFC1A-2K	F475W			Prime + Parallel Group 2-3 in Visit 64	385 Secs (385 Secs)	
									[==>]	[1]
	4		(64) SDSS-J142416.30+333645.2	WFC3/UVIS, ACCUM, UVIS2-FIX	F350LP		POS TARG 0.158,15.070	Prime + Parallel Group 4-5 in Visit 64	500 Secs (500 Secs)	
								[==>]	[1]	
5		ANY	ACS/WFC, ACCUM, WFC	F814W			Prime + Parallel Group 4-5 in Visit 64	450 Secs (450 Secs)		
								[==>]	[1]	
6		(64) SDSS-J142416.30+333645.2	WFC3/UVIS, ACCUM, UVIS2-FIX	F350LP		POS TARG -0.060,15.095	Prime + Parallel Group 6-7 in Visit 64	500 Secs (500 Secs)		
								[==>]	[1]	
7		ANY	ACS/WFC, ACCUM, WFC	F475W			Prime + Parallel Group 6-7 in Visit 64	340 Secs (340 Secs)		
								[==>]	[1]	



Proposal 16025 - Visit 72 - Snapshot Survey of the Globular Cluster Populations of Isolated Early Type Galaxies

Thu Oct 03 22:01:15 GMT 2019

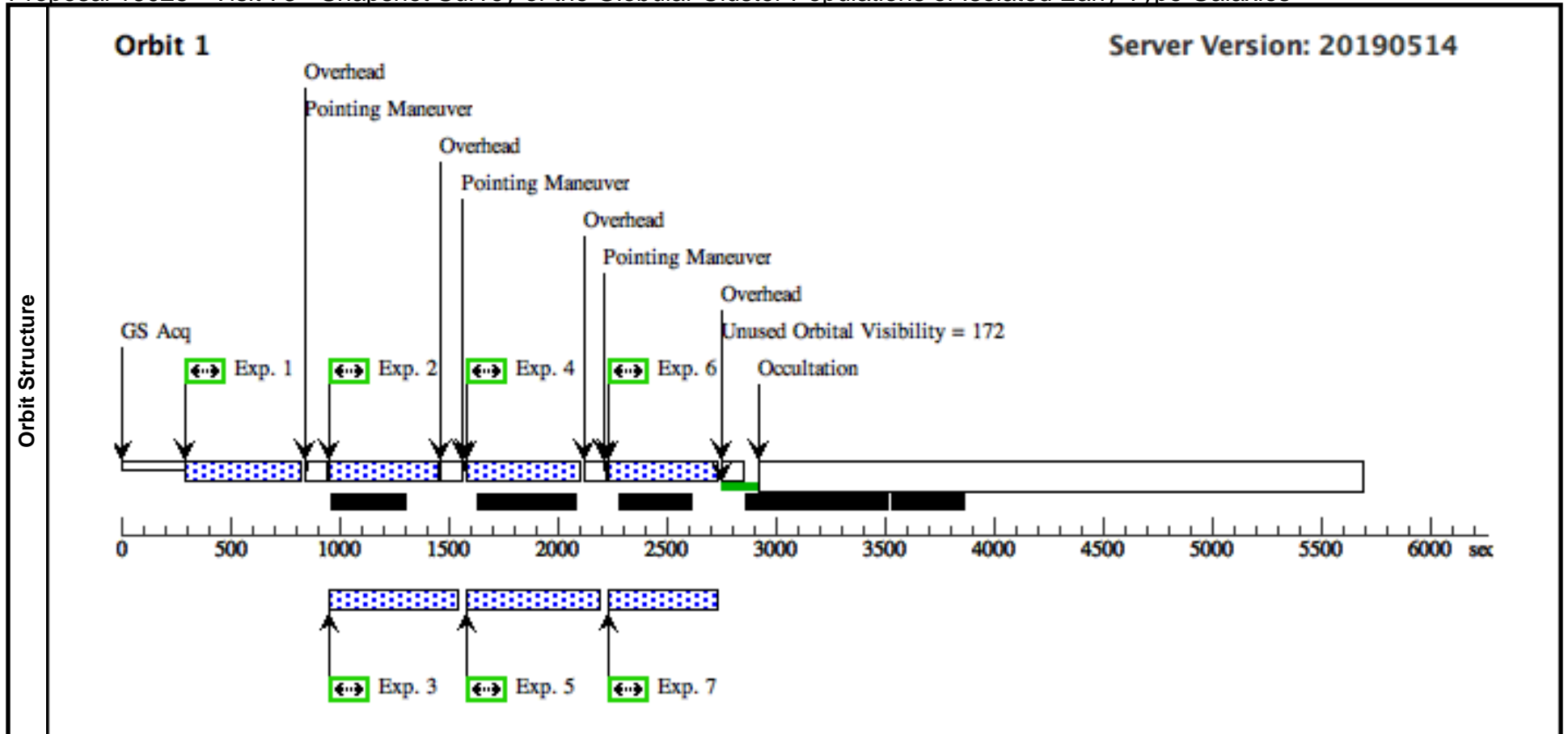
Visit	Proposal 16025, Visit 72, implementation Diagnostic Status: No Diagnostics Scientific Instruments: WFC3/UVIS, ACS/WFC Special Requirements: SCHED 100% Comments: <i>SNAPSHOT</i>									
	Fixed Targets	#	Name	Target Coordinates	Targ. Coord. Corrections	Fluxes	Miscellaneous			
	(72)	SDSS-J145123.41+000025.4	RA: 14 51 23.4177 (222.8475738d) Dec: +00 00 25.49 (.00708d) Equinox: J2000		V=15.81 g-i = 1.14	Reference Frame: SDSS				
	Comments: Category= <i>GALAXY</i> Description= <i>[ELLIPTICAL, LENTICULAR]</i> Extended= <i>YES</i>									
Exposures	#	Label	Target	Config,Mode,Aperture	Spectral Els.	Opt. Params.	Special Reqs.	Groups	Exp. Time (Total)/[Actual Dur.]	Orbit
	1		(72) SDSS-J145123.41+000025.4	WFC3/UVIS, ACCUM, UVIS2-FIX	F600LP		POS TARG 0.0,20.0		500 Secs (500 Secs)	
									[==>]	[1]
	2		(72) SDSS-J145123.41+000025.4	WFC3/UVIS, ACCUM, UVIS2-FIX	F600LP		POS TARG 0.099,20.165	Prime + Parallel Group 2-3 in Visit 72	500 Secs (500 Secs)	
									[==>]	[1]
	3		ANY	ACS/WFC, ACCUM, WFC1A-2K	F475W			Prime + Parallel Group 2-3 in Visit 72	385 Secs (385 Secs)	
									[==>]	[1]
	4		(72) SDSS-J145123.41+000025.4	WFC3/UVIS, ACCUM, UVIS2-FIX	F350LP		POS TARG 0.158,20.070	Prime + Parallel Group 4-5 in Visit 72	500 Secs (500 Secs)	
								[==>]	[1]	
5		ANY	ACS/WFC, ACCUM, WFC	F814W			Prime + Parallel Group 4-5 in Visit 72	450 Secs (450 Secs)		
								[==>]	[1]	
6		(72) SDSS-J145123.41+000025.4	WFC3/UVIS, ACCUM, UVIS2-FIX	F350LP		POS TARG -0.060,20.095	Prime + Parallel Group 6-7 in Visit 72	500 Secs (500 Secs)		
								[==>]	[1]	
7		ANY	ACS/WFC, ACCUM, WFC	F475W			Prime + Parallel Group 6-7 in Visit 72	340 Secs (340 Secs)		
								[==>]	[1]	



Proposal 16025 - Visit 73 - Snapshot Survey of the Globular Cluster Populations of Isolated Early Type Galaxies

Thu Oct 03 22:01:15 GMT 2019

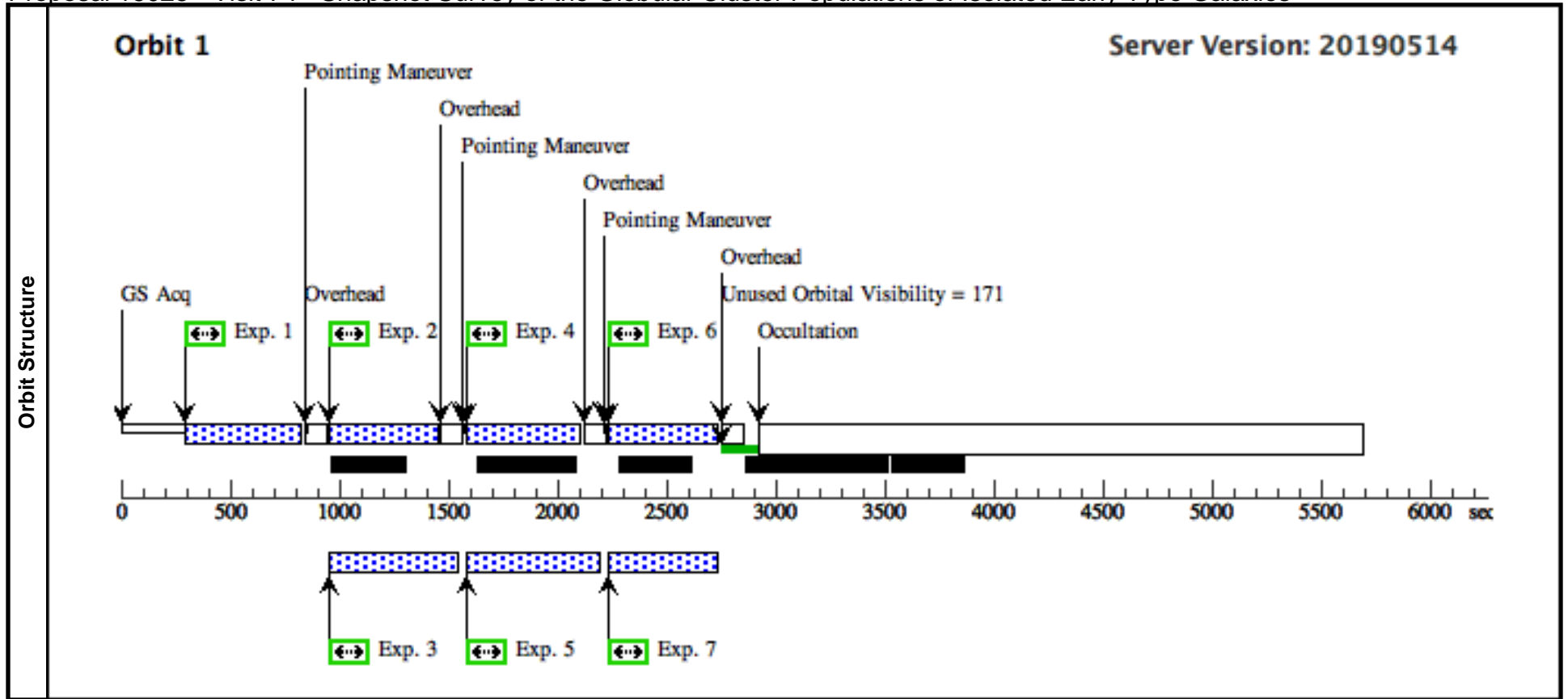
Visit	Proposal 16025, Visit 73, implementation Diagnostic Status: No Diagnostics Scientific Instruments: WFC3/UVIS, ACS/WFC Special Requirements: SCHED 100% Comments: <i>SNAPSHOT</i>									
	Fixed Targets	#	Name	Target Coordinates	Targ. Coord. Corrections	Fluxes	Miscellaneous			
	(73)	SDSS-J101926.02+442416.7	RA: 10 19 26.0263 (154.8584429d) Dec: +44 24 16.75 (44.40465d) Equinox: J2000		V=14.55 g-i = 1.37	Reference Frame: SDSS				
	Comments: Category=GALAXY Description=[ELLIPTICAL, LENTICULAR] Extended=YES									
Exposures	#	Label	Target	Config,Mode,Aperture	Spectral Els.	Opt. Params.	Special Reqs.	Groups	Exp. Time (Total)/[Actual Dur.]	Orbit
	1		(73) SDSS-J101926.02+442416.7	WFC3/UVIS, ACCUM, UVIS2-FIX	F600LP		POS TARG 0.0,25.0		500 Secs (500 Secs)	
									[==>]	[1]
	2		(73) SDSS-J101926.02+442416.7	WFC3/UVIS, ACCUM, UVIS2-FIX	F600LP		POS TARG 0.099,25.165	Prime + Parallel Group 2-3 in Visit 73	500 Secs (500 Secs)	
									[==>]	[1]
	3		ANY	ACS/WFC, ACCUM, WFC1A-2K	F475W			Prime + Parallel Group 2-3 in Visit 73	385 Secs (385 Secs)	
									[==>]	[1]
	4		(73) SDSS-J101926.02+442416.7	WFC3/UVIS, ACCUM, UVIS2-FIX	F350LP		POS TARG 0.158,25.070	Prime + Parallel Group 4-5 in Visit 73	500 Secs (500 Secs)	
								[==>]	[1]	
5		ANY	ACS/WFC, ACCUM, WFC	F814W			Prime + Parallel Group 4-5 in Visit 73	450 Secs (450 Secs)		
								[==>]	[1]	
6		(73) SDSS-J101926.02+442416.7	WFC3/UVIS, ACCUM, UVIS2-FIX	F350LP		POS TARG -0.060,25.095	Prime + Parallel Group 6-7 in Visit 73	500 Secs (500 Secs)		
								[==>]	[1]	
7		ANY	ACS/WFC, ACCUM, WFC	F475W			Prime + Parallel Group 6-7 in Visit 73	340 Secs (340 Secs)		
								[==>]	[1]	



Proposal 16025 - Visit 74 - Snapshot Survey of the Globular Cluster Populations of Isolated Early Type Galaxies

Thu Oct 03 22:01:15 GMT 2019

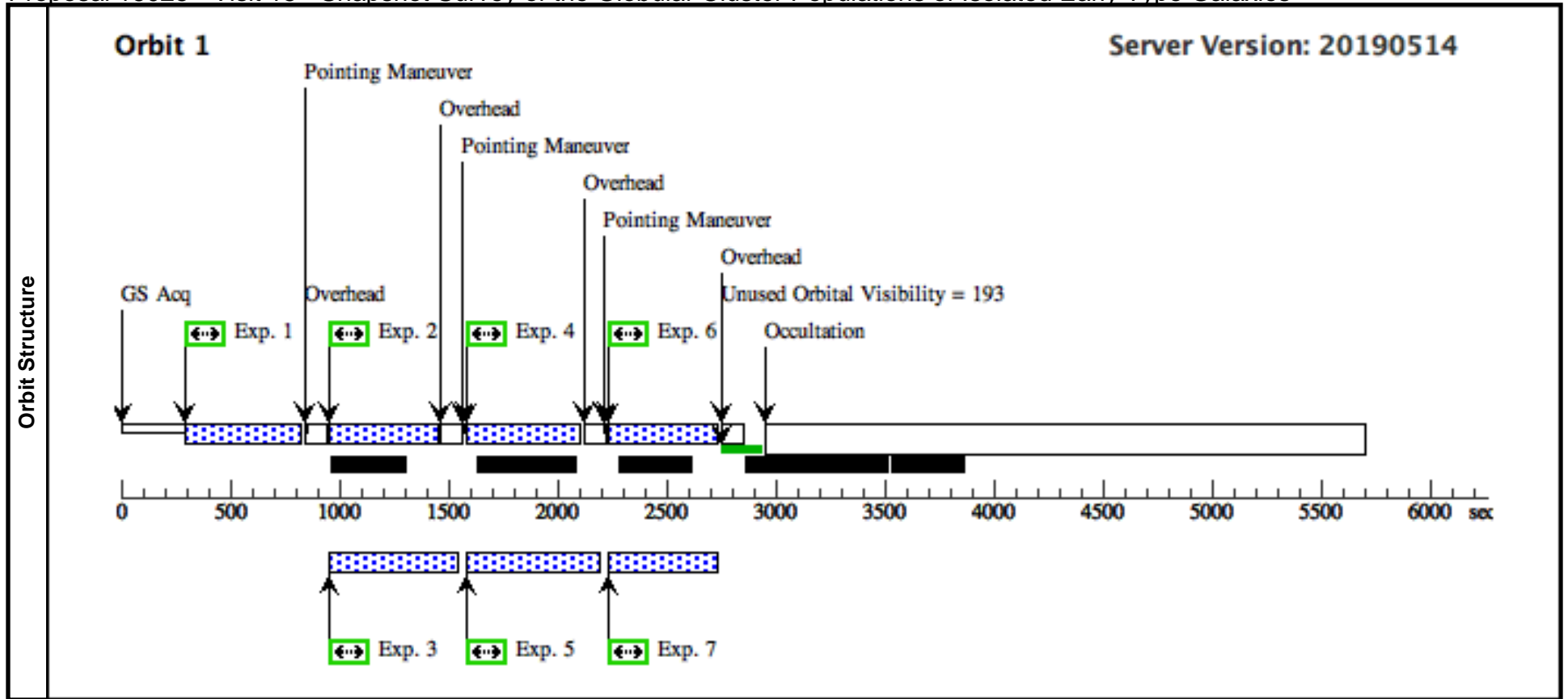
Visit	Proposal 16025, Visit 74, implementation Diagnostic Status: No Diagnostics Scientific Instruments: WFC3/UVIS, ACS/WFC Special Requirements: SCHED 100% Comments: <i>SNAPSHOT</i>									
	Fixed Targets	#	Name	Target Coordinates	Targ. Coord. Corrections	Fluxes	Miscellaneous			
	(74)	SDSS-J082808.83+260541.9	RA: 08 28 8.8330 (127.0368042d) Dec: +26 05 41.92 (26.09498d) Equinox: J2000		V=15.39 g-i = 1.20	Reference Frame: SDSS				
	Comments: Category= <i>GALAXY</i> Description= <i>[ELLIPTICAL, LENTICULAR]</i> Extended= <i>YES</i>									
Exposures	#	Label	Target	Config,Mode,Aperture	Spectral Els.	Opt. Params.	Special Reqs.	Groups	Exp. Time (Total)/[Actual Dur.]	Orbit
	1		(74) SDSS-J082808.83+260541.9	WFC3/UVIS, ACCUM, UVIS2-FIX	F600LP		POS TARG 0.0,15.0		500 Secs (500 Secs)	
									[==>]	[1]
	2		(74) SDSS-J082808.83+260541.9	WFC3/UVIS, ACCUM, UVIS2-FIX	F600LP		POS TARG 0.099,15.165	Prime + Parallel Group 2-3 in Visit 74	500 Secs (500 Secs)	
									[==>]	[1]
	3		ANY	ACS/WFC, ACCUM, WFC1A-2K	F475W			Prime + Parallel Group 2-3 in Visit 74	385 Secs (385 Secs)	
									[==>]	[1]
	4		(74) SDSS-J082808.83+260541.9	WFC3/UVIS, ACCUM, UVIS2-FIX	F350LP		POS TARG 0.158,15.070	Prime + Parallel Group 4-5 in Visit 74	500 Secs (500 Secs)	
								[==>]	[1]	
5		ANY	ACS/WFC, ACCUM, WFC	F814W			Prime + Parallel Group 4-5 in Visit 74	450 Secs (450 Secs)		
								[==>]	[1]	
6		(74) SDSS-J082808.83+260541.9	WFC3/UVIS, ACCUM, UVIS2-FIX	F350LP		POS TARG -0.060,15.095	Prime + Parallel Group 6-7 in Visit 74	500 Secs (500 Secs)		
								[==>]	[1]	
7		ANY	ACS/WFC, ACCUM, WFC	F475W			Prime + Parallel Group 6-7 in Visit 74	340 Secs (340 Secs)		
								[==>]	[1]	



Proposal 16025 - Visit 15 - Snapshot Survey of the Globular Cluster Populations of Isolated Early Type Galaxies

Thu Oct 03 22:01:15 GMT 2019

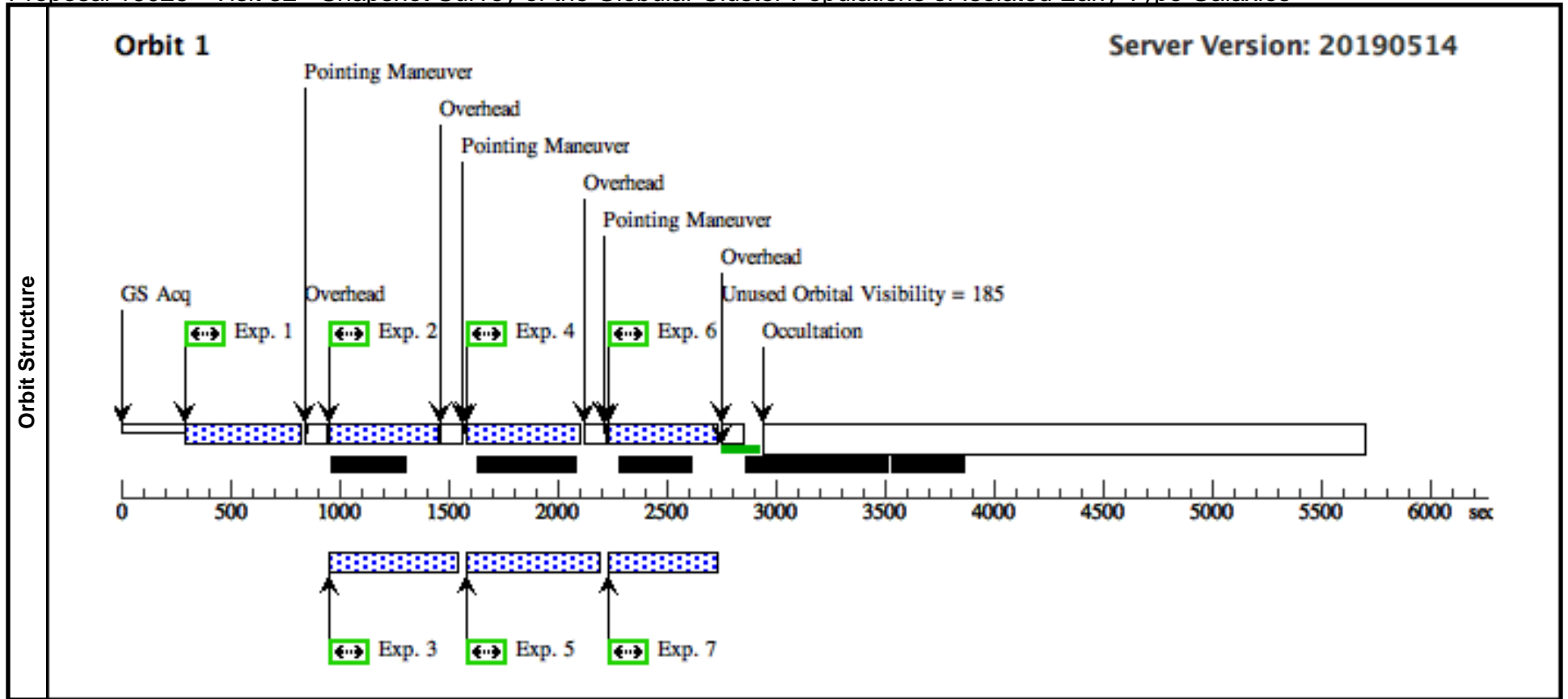
Visit	Proposal 16025, Visit 15, implementation Diagnostic Status: No Diagnostics Scientific Instruments: WFC3/UVIS, ACS/WFC Special Requirements: SCHED 100% Comments: <i>SNAPSHOT</i>									
	Fixed Targets	#	Name	Target Coordinates	Targ. Coord. Corrections	Fluxes	Miscellaneous			
	(15)	SDSS-J091514.45+581200.0	RA: 09 15 14.4578 (138.8102408d) Dec: +58 12 0.06 (58.20002d) Equinox: J2000		V=15.25 g-i = 1.15	Reference Frame: SDSS				
	Comments: Category=GALAXY Description=[ELLIPTICAL, LENTICULAR] Extended=YES									
Exposures	#	Label	Target	Config,Mode,Aperture	Spectral Els.	Opt. Params.	Special Reqs.	Groups	Exp. Time (Total)/[Actual Dur.]	Orbit
	1		(15) SDSS-J091514.45+581200.0	WFC3/UVIS, ACCUM, UVIS2-FIX	F600LP		POS TARG 0.0,20.0		500 Secs (500 Secs)	
									[==>]	[1]
	2		(15) SDSS-J091514.45+581200.0	WFC3/UVIS, ACCUM, UVIS2-FIX	F600LP		POS TARG 0.099,20.165	Prime + Parallel Group 2-3 in Visit 15	500 Secs (500 Secs)	
									[==>]	[1]
	3		ANY	ACS/WFC, ACCUM, WFC1A-2K	F475W			Prime + Parallel Group 2-3 in Visit 15	385 Secs (385 Secs)	
									[==>]	[1]
	4		(15) SDSS-J091514.45+581200.0	WFC3/UVIS, ACCUM, UVIS2-FIX	F350LP		POS TARG 0.158,20.070	Prime + Parallel Group 4-5 in Visit 15	500 Secs (500 Secs)	
								[==>]	[1]	
5		ANY	ACS/WFC, ACCUM, WFC	F814W			Prime + Parallel Group 4-5 in Visit 15	450 Secs (450 Secs)		
								[==>]	[1]	
6		(15) SDSS-J091514.45+581200.0	WFC3/UVIS, ACCUM, UVIS2-FIX	F350LP		POS TARG -0.060,20.095	Prime + Parallel Group 6-7 in Visit 15	500 Secs (500 Secs)		
								[==>]	[1]	
7		ANY	ACS/WFC, ACCUM, WFC	F475W			Prime + Parallel Group 6-7 in Visit 15	340 Secs (340 Secs)		
								[==>]	[1]	



Proposal 16025 - Visit 32 - Snapshot Survey of the Globular Cluster Populations of Isolated Early Type Galaxies

Thu Oct 03 22:01:15 GMT 2019

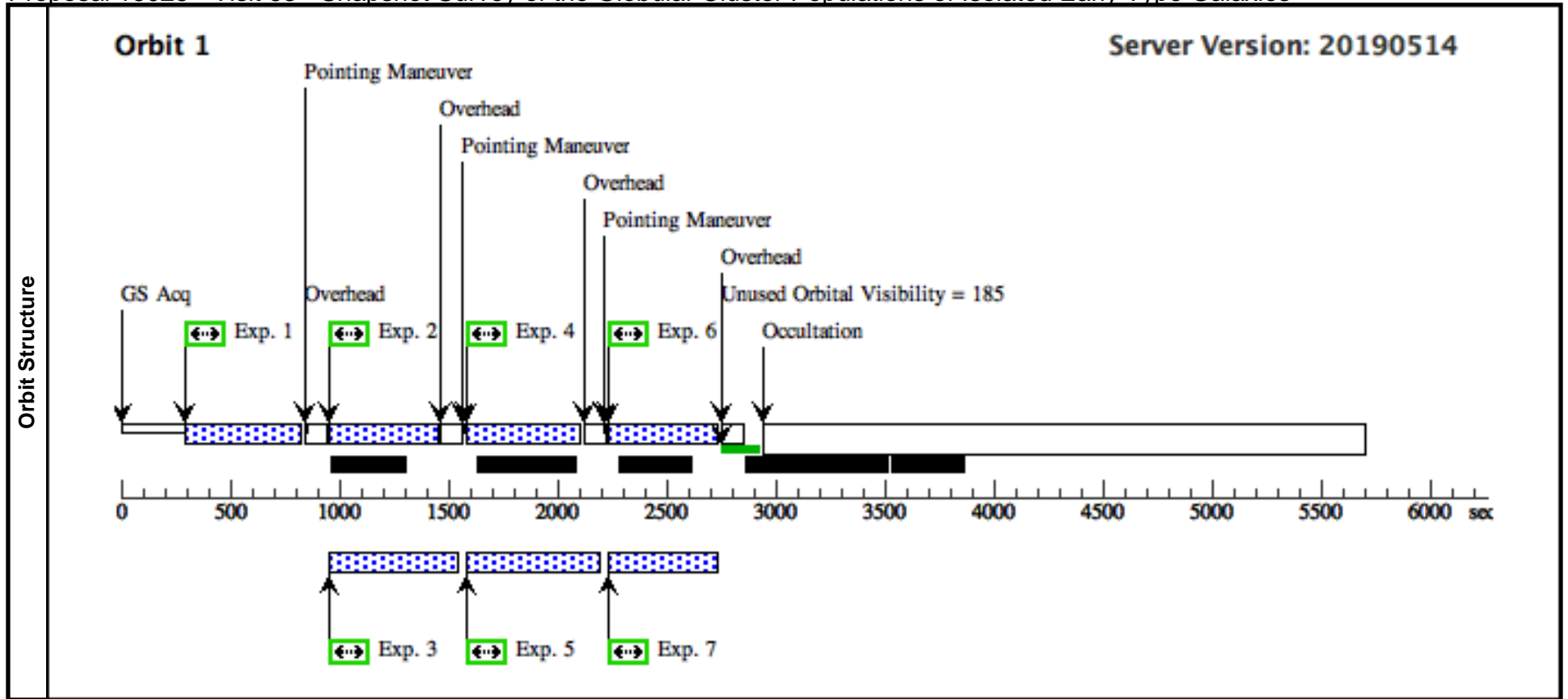
Visit	Proposal 16025, Visit 32, implementation Diagnostic Status: No Diagnostics Scientific Instruments: WFC3/UVIS, ACS/WFC Special Requirements: SCHED 100% Comments: <i>SNAPSHOT</i>									
	Fixed Targets	#	Name	Target Coordinates	Targ. Coord. Corrections	Fluxes	Miscellaneous			
	(32)	SDSS-J080720.24+510753.7	RA: 08 07 20.2474 (121.8343642d) Dec: +51 07 53.76 (51.13160d) Equinox: J2000		V=13.59 g-i = 1.34	Reference Frame: SDSS				
	Comments: Category=GALAXY Description=[ELLIPTICAL, LENTICULAR] Extended=YES									
Exposures	#	Label	Target	Config,Mode,Aperture	Spectral Els.	Opt. Params.	Special Reqs.	Groups	Exp. Time (Total)/[Actual Dur.]	Orbit
	1		(32) SDSS-J080720.24+510753.7	WFC3/UVIS, ACCUM, UVIS2-FIX	F600LP		POS TARG 0.0,30.0		500 Secs (500 Secs)	
									[==>]	[1]
	2		(32) SDSS-J080720.24+510753.7	WFC3/UVIS, ACCUM, UVIS2-FIX	F600LP		POS TARG 0.099,30.165	Prime + Parallel Group 2-3 in Visit 32	500 Secs (500 Secs)	
									[==>]	[1]
	3		ANY	ACS/WFC, ACCUM, WFC1A-2K	F475W			Prime + Parallel Group 2-3 in Visit 32	385 Secs (385 Secs)	
									[==>]	[1]
	4		(32) SDSS-J080720.24+510753.7	WFC3/UVIS, ACCUM, UVIS2-FIX	F350LP		POS TARG 0.158,30.070	Prime + Parallel Group 4-5 in Visit 32	500 Secs (500 Secs)	
								[==>]	[1]	
5		ANY	ACS/WFC, ACCUM, WFC	F814W			Prime + Parallel Group 4-5 in Visit 32	450 Secs (450 Secs)		
								[==>]	[1]	
6		(32) SDSS-J080720.24+510753.7	WFC3/UVIS, ACCUM, UVIS2-FIX	F350LP		POS TARG -0.060,30.095	Prime + Parallel Group 6-7 in Visit 32	500 Secs (500 Secs)		
								[==>]	[1]	
7		ANY	ACS/WFC, ACCUM, WFC	F475W			Prime + Parallel Group 6-7 in Visit 32	340 Secs (340 Secs)		
								[==>]	[1]	



Proposal 16025 - Visit 63 - Snapshot Survey of the Globular Cluster Populations of Isolated Early Type Galaxies

Thu Oct 03 22:01:15 GMT 2019

Visit	Proposal 16025, Visit 63, implementation Diagnostic Status: No Diagnostics Scientific Instruments: WFC3/UVIS, ACS/WFC Special Requirements: SCHED 100% Comments: <i>SNAPSHOT</i>									
	Fixed Targets	#	Name	Target Coordinates	Targ. Coord. Corrections	Fluxes	Miscellaneous			
	(63)	SDSS-J075334.01+514648.5	RA: 07 53 34.0173 (118.3917388d) Dec: +51 46 48.55 (51.78015d) Equinox: J2000		V=14.52 g-i = 1.34	Reference Frame: SDSS				
	Comments: Category= <i>GALAXY</i> Description= <i>[ELLIPTICAL, LENTICULAR]</i> Extended= <i>YES</i>									
Exposures	#	Label	Target	Config,Mode,Aperture	Spectral Els.	Opt. Params.	Special Reqs.	Groups	Exp. Time (Total)/[Actual Dur.]	Orbit
	1		(63) SDSS-J075334.01+514648.5	WFC3/UVIS, ACCUM, UVIS2-FIX	F600LP		POS TARG 0.0,30.0		500 Secs (500 Secs)	
									[==>]	[1]
	2		(63) SDSS-J075334.01+514648.5	WFC3/UVIS, ACCUM, UVIS2-FIX	F600LP		POS TARG 0.099,30.165	Prime + Parallel Group 2-3 in Visit 63	500 Secs (500 Secs)	
									[==>]	[1]
	3		ANY	ACS/WFC, ACCUM, WFC1A-2K	F475W			Prime + Parallel Group 2-3 in Visit 63	385 Secs (385 Secs)	
									[==>]	[1]
	4		(63) SDSS-J075334.01+514648.5	WFC3/UVIS, ACCUM, UVIS2-FIX	F350LP		POS TARG 0.158,30.070	Prime + Parallel Group 4-5 in Visit 63	500 Secs (500 Secs)	
								[==>]	[1]	
5		ANY	ACS/WFC, ACCUM, WFC	F814W			Prime + Parallel Group 4-5 in Visit 63	450 Secs (450 Secs)		
								[==>]	[1]	
6		(63) SDSS-J075334.01+514648.5	WFC3/UVIS, ACCUM, UVIS2-FIX	F350LP		POS TARG -0.060,30.095	Prime + Parallel Group 6-7 in Visit 63	500 Secs (500 Secs)		
								[==>]	[1]	
7		ANY	ACS/WFC, ACCUM, WFC	F475W			Prime + Parallel Group 6-7 in Visit 63	340 Secs (340 Secs)		
								[==>]	[1]	



Proposal 16025 - Visit 65 - Snapshot Survey of the Globular Cluster Populations of Isolated Early Type Galaxies

Thu Oct 03 22:01:15 GMT 2019

Visit	Proposal 16025, Visit 65, implementation Diagnostic Status: No Diagnostics Scientific Instruments: WFC3/UVIS, ACS/WFC Special Requirements: SCHED 100% Comments: <i>SNAPSHOT</i>									
	Fixed Targets	#	Name	Target Coordinates	Targ. Coord. Corrections	Fluxes	Miscellaneous			
	(65)	SDSS-J092252.91+513243.7	RA: 09 22 52.9187 (140.7204946d) Dec: +51 32 43.72 (51.54548d) Equinox: J2000		V=15.73 g-i = 1.12	Reference Frame: SDSS				
	Comments: Category=GALAXY Description=[ELLIPTICAL, LENTICULAR] Extended=YES									
Exposures	#	Label	Target	Config,Mode,Aperture	Spectral Els.	Opt. Params.	Special Reqs.	Groups	Exp. Time (Total)/[Actual Dur.]	Orbit
	1		(65) SDSS-J092252.91+513243.7	WFC3/UVIS, ACCUM, UVIS2-FIX	F600LP		POS TARG 0.0,15.0		500 Secs (500 Secs)	
									[==>]	[1]
	2		(65) SDSS-J092252.91+513243.7	WFC3/UVIS, ACCUM, UVIS2-FIX	F600LP		POS TARG 0.099,15.165	Prime + Parallel Group 2-3 in Visit 65	500 Secs (500 Secs)	
									[==>]	[1]
	3		ANY	ACS/WFC, ACCUM, WFC1A-2K	F475W			Prime + Parallel Group 2-3 in Visit 65	385 Secs (385 Secs)	
									[==>]	[1]
	4		(65) SDSS-J092252.91+513243.7	WFC3/UVIS, ACCUM, UVIS2-FIX	F350LP		POS TARG 0.158,15.070	Prime + Parallel Group 4-5 in Visit 65	500 Secs (500 Secs)	
								[==>]	[1]	
5		ANY	ACS/WFC, ACCUM, WFC	F814W			Prime + Parallel Group 4-5 in Visit 65	450 Secs (450 Secs)		
								[==>]	[1]	
6		(65) SDSS-J092252.91+513243.7	WFC3/UVIS, ACCUM, UVIS2-FIX	F350LP		POS TARG -0.060,15.095	Prime + Parallel Group 6-7 in Visit 65	500 Secs (500 Secs)		
								[==>]	[1]	
7		ANY	ACS/WFC, ACCUM, WFC	F475W			Prime + Parallel Group 6-7 in Visit 65	340 Secs (340 Secs)		
								[==>]	[1]	

