

Figure 2.

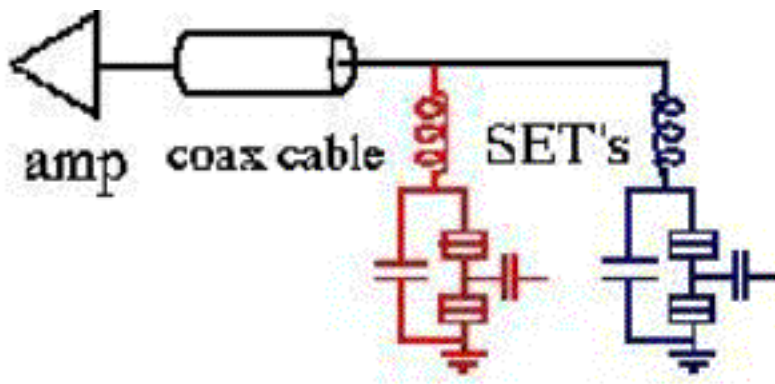


Figure 2. Schematic of two RF-SETs multiplexed onto one coaxial cable leading to an rf following amplifier.