

Figure 2

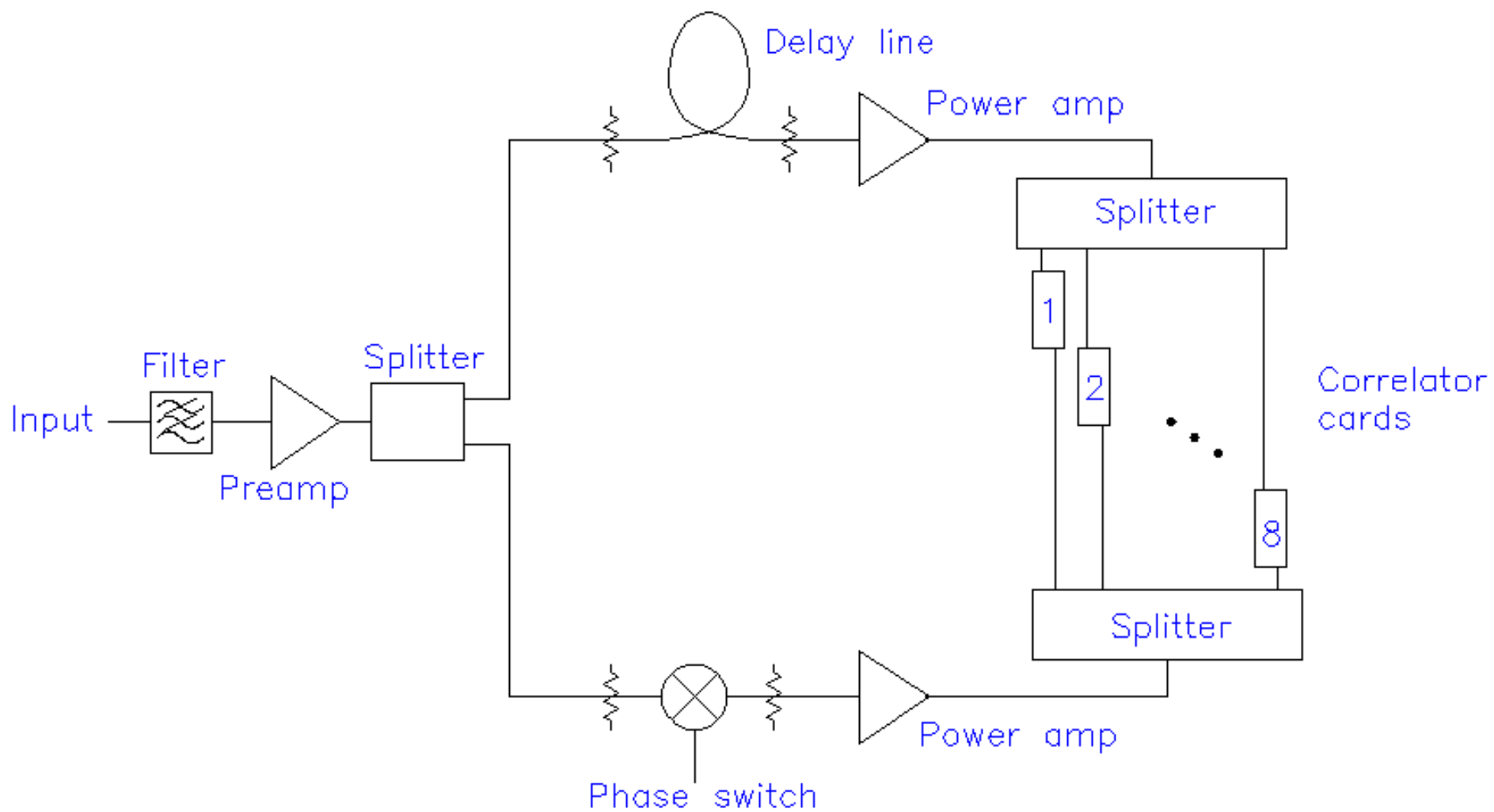


Figure 2

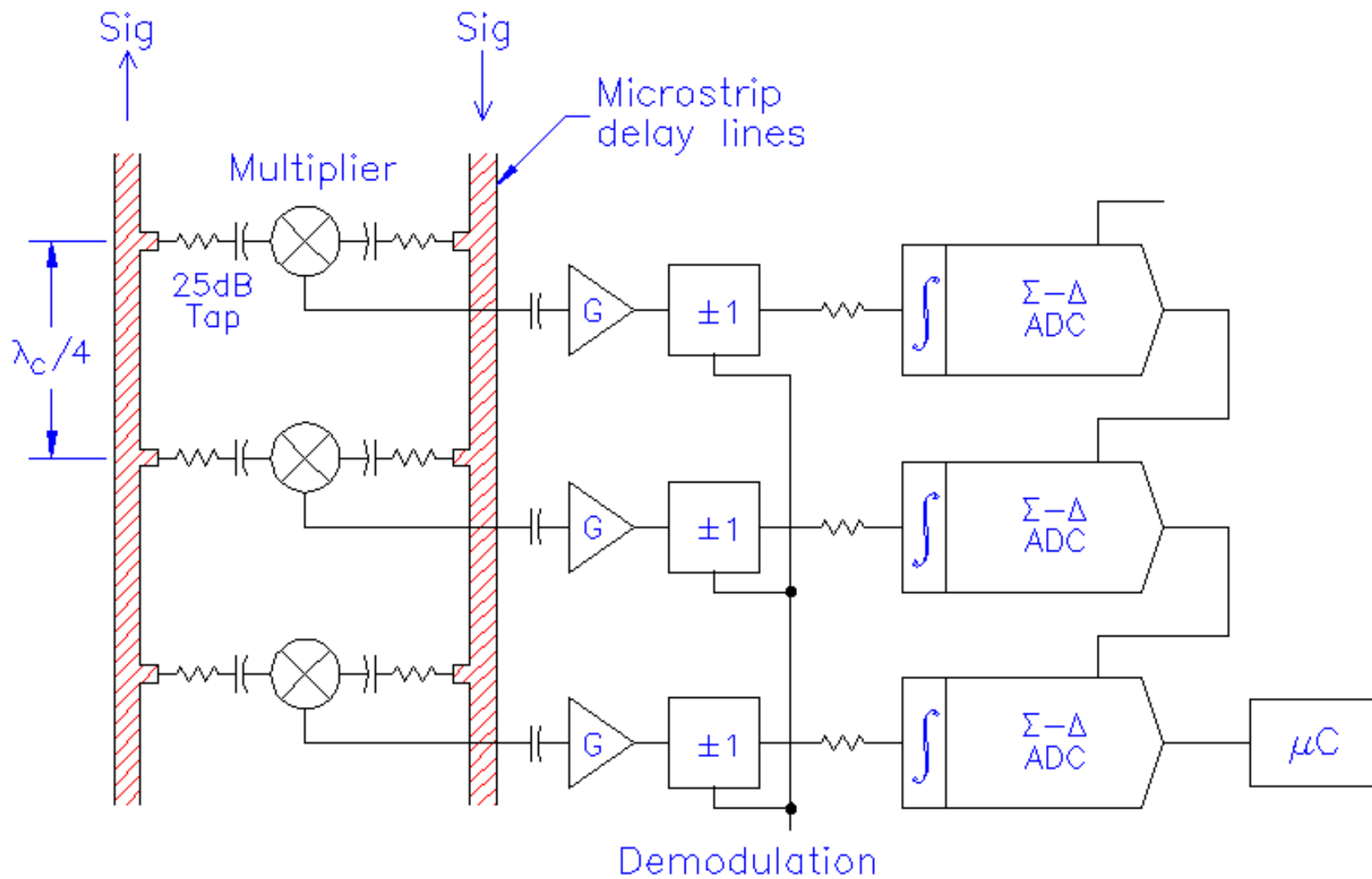


Figure 2 Schematic view of the spectrometer's signal path (left) and of a section of the "ladder" of multipliers that form the autocorrelation function (right).