

## Figure 6

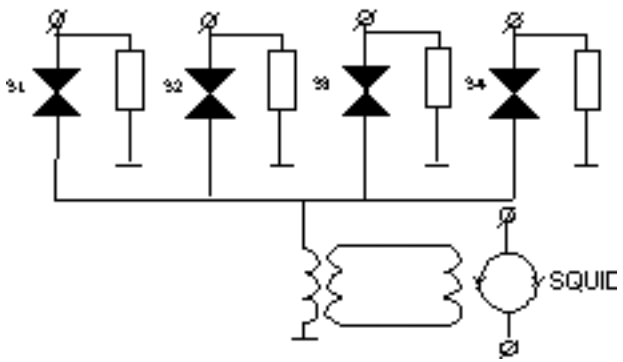


Fig. 6. The schematic of the 4-element array of bolometers with a single SQUID amplifier read-